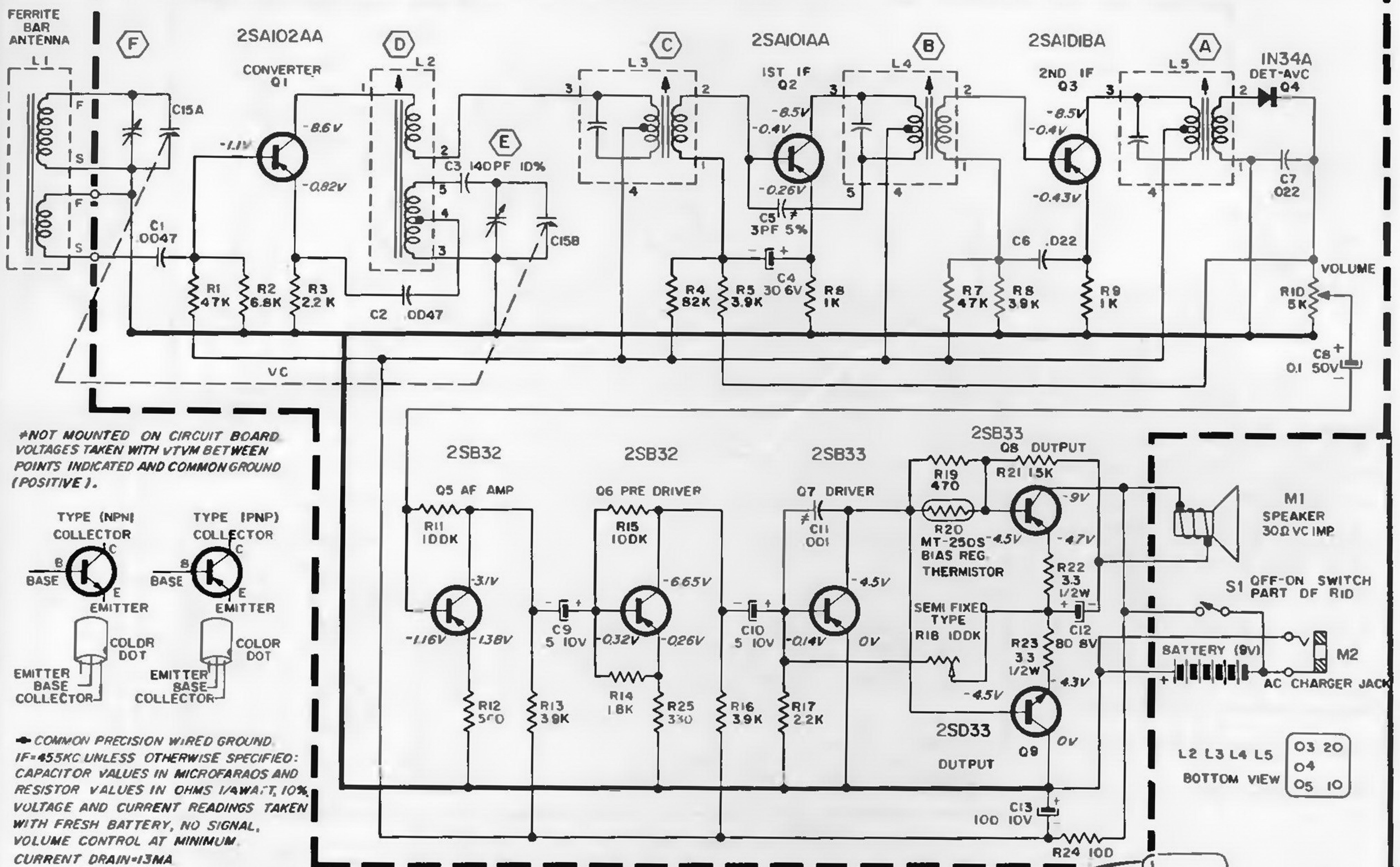


Admiral®

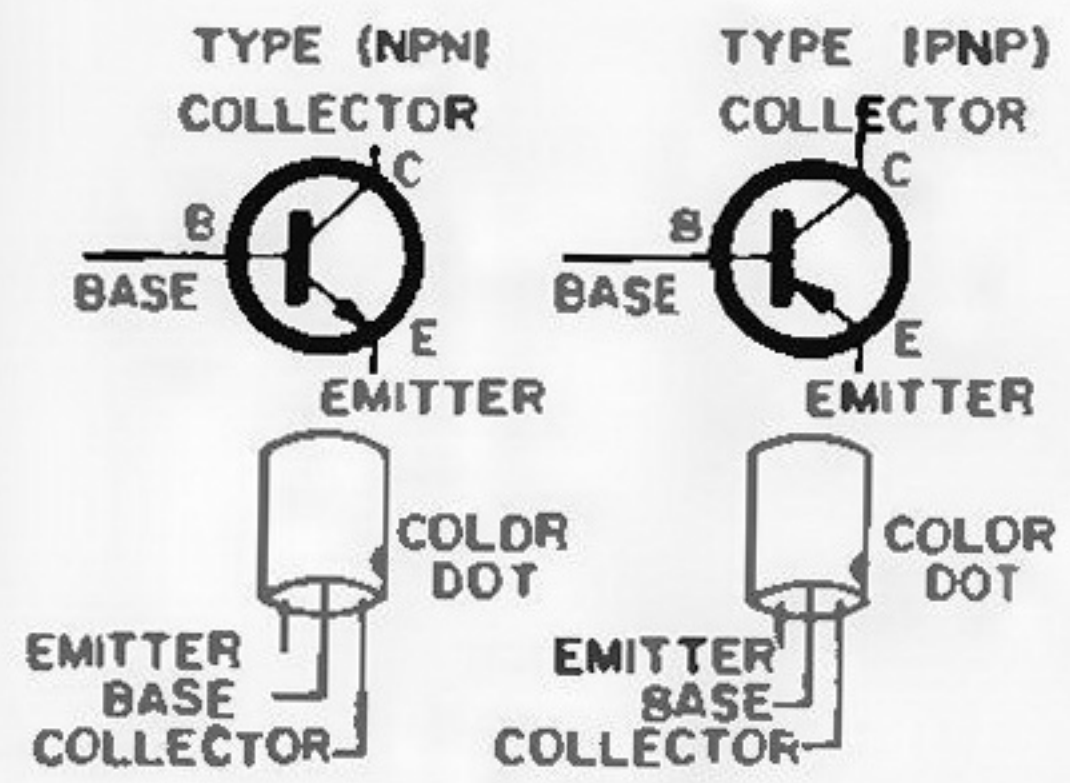
Chassis 8F3, Models YD242, YD243

pdf made by KareDany

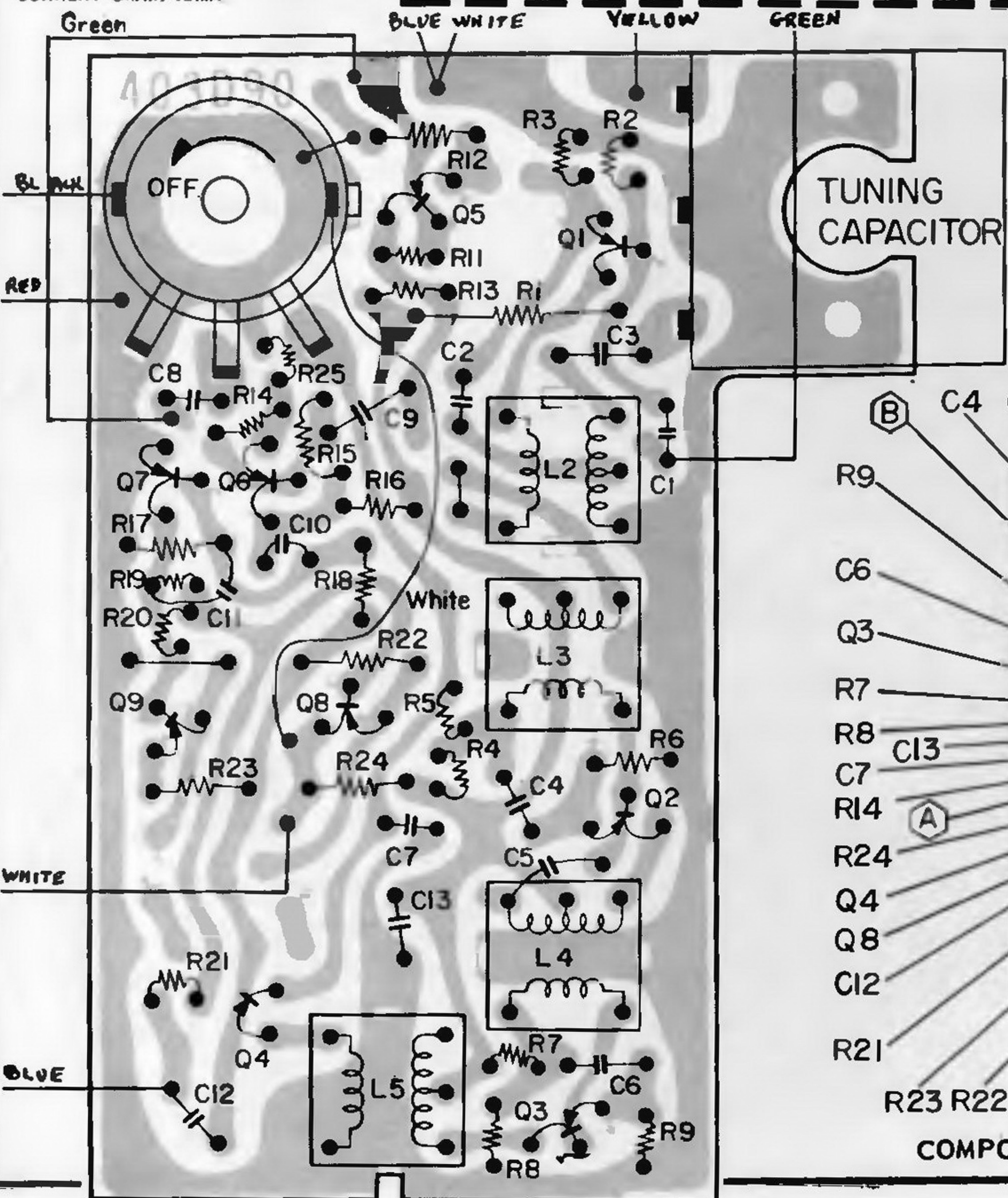
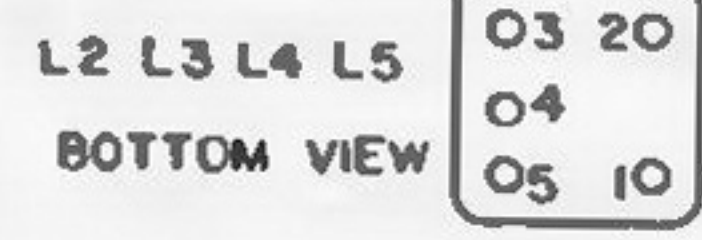
PRECISION WIRED SYSTEM 2014B377-3



*NOT MOUNTED ON CIRCUIT BOARD
 VOLTAGES TAKEN WITH VTVM BETWEEN
 POINTS INDICATED AND COMMON GROUND
 (POSITIVE).

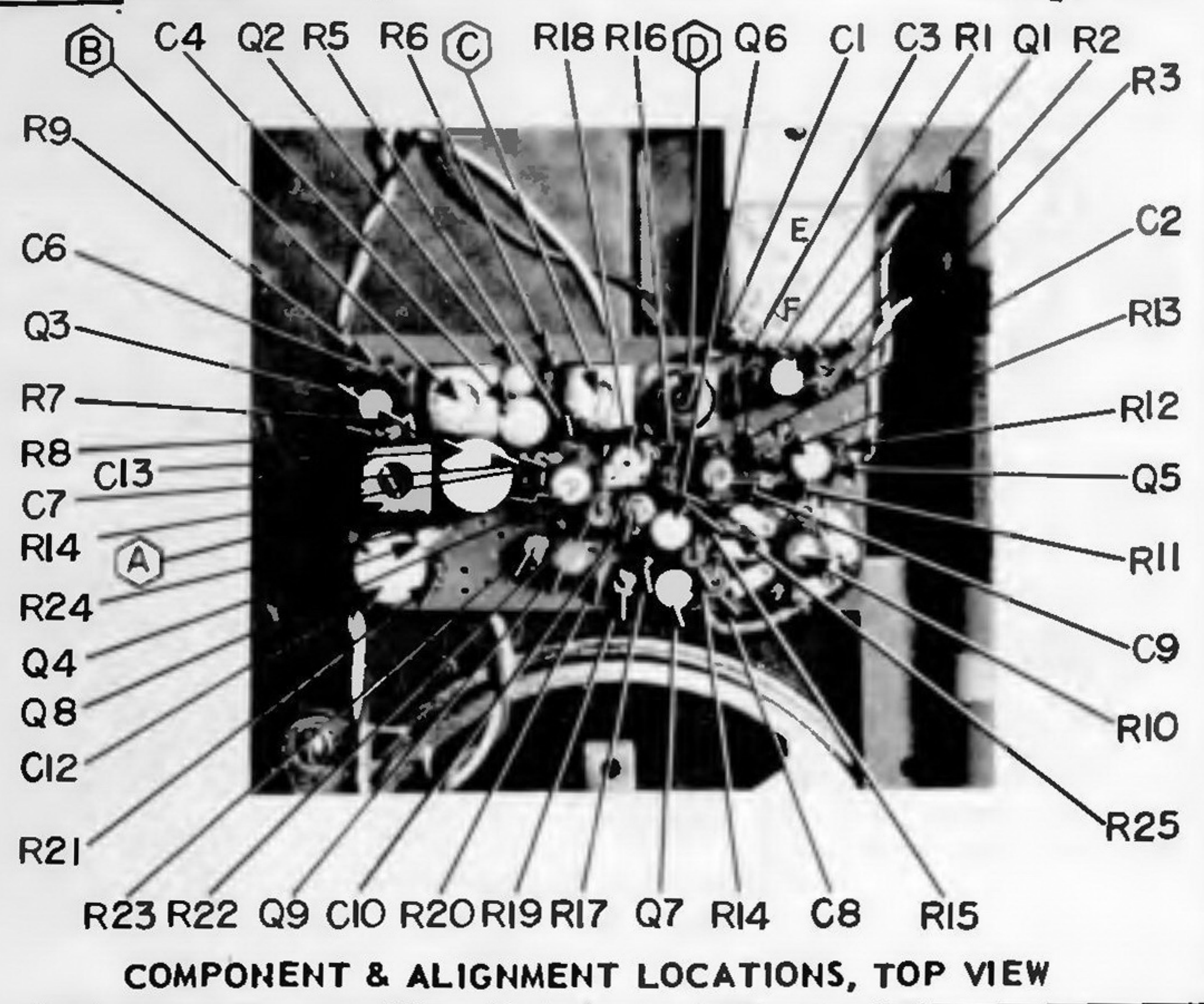
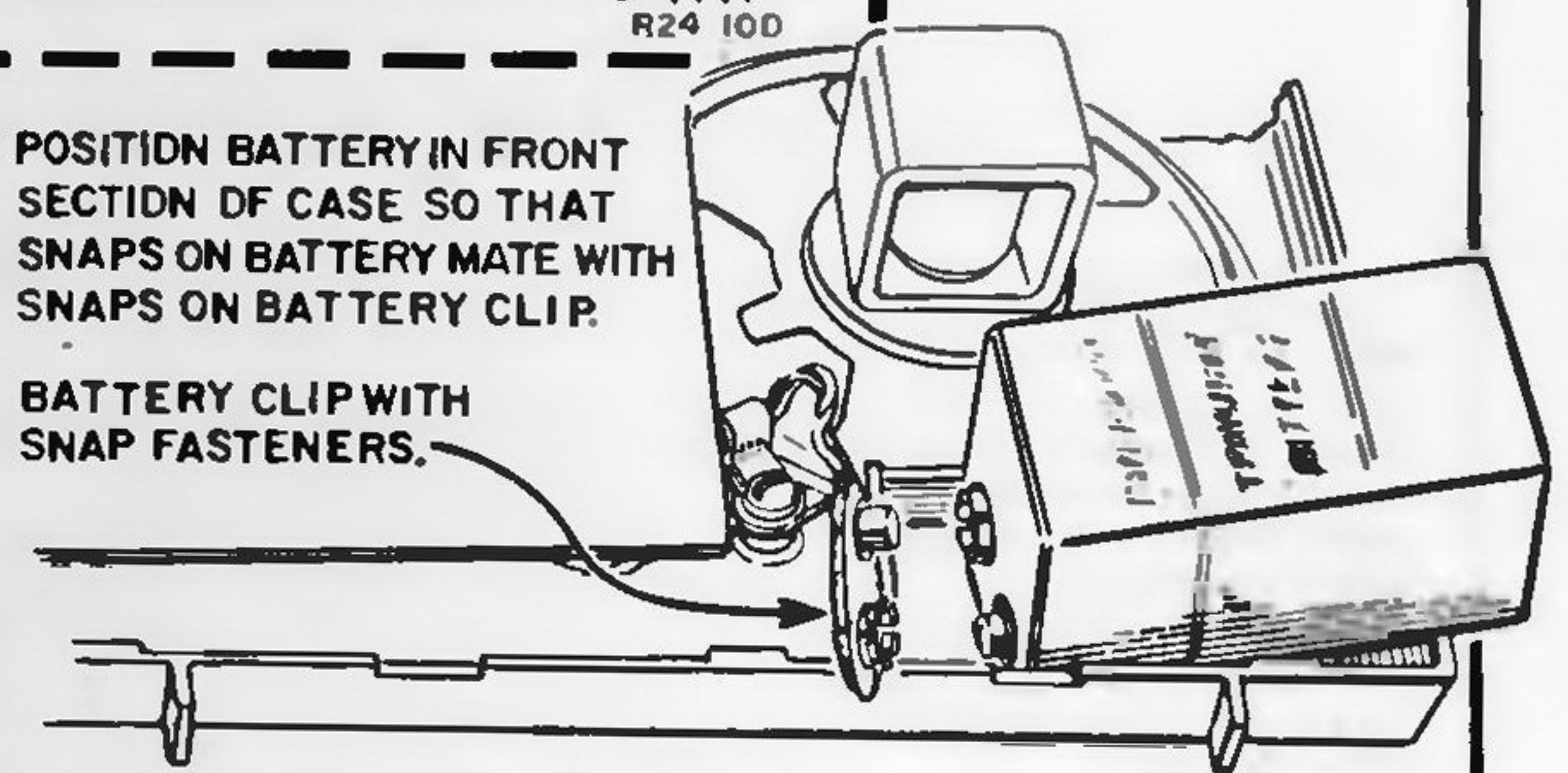


← COMMON PRECISION WIRED GROUND
 IF=455KC UNLESS OTHERWISE SPECIFIED:
 CAPACITOR VALUES IN MICROFARADS AND
 RESISTOR VALUES IN OHMS 1/4WAT, 10%
 VOLTAGE AND CURRENT READINGS TAKEN
 WITH FRESH BATTERY, NO SIGNAL,
 VOLUME CONTROL AT MINIMUM,
 CURRENT DRAIN=13MA



POSITION BATTERY IN FRONT SECTION OF CASE SO THAT SNAPS ON BATTERY MATE WITH SNAPS ON BATTERY CLIP.

BATTERY CLIP WITH SNAP FASTENERS.



COMPONENT & ALIGNMENT LOCATIONS, TOP VIEW