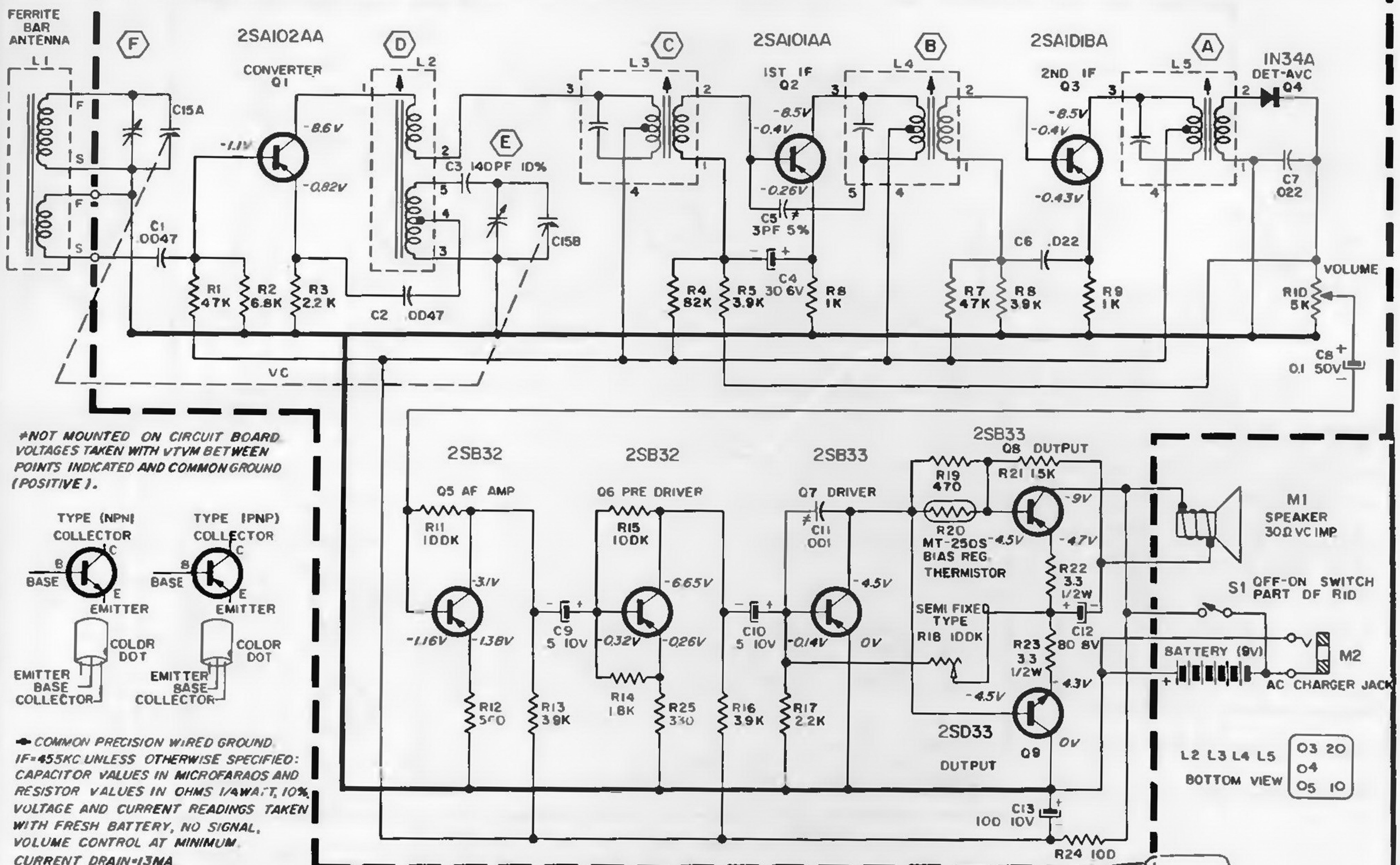


Admiral®

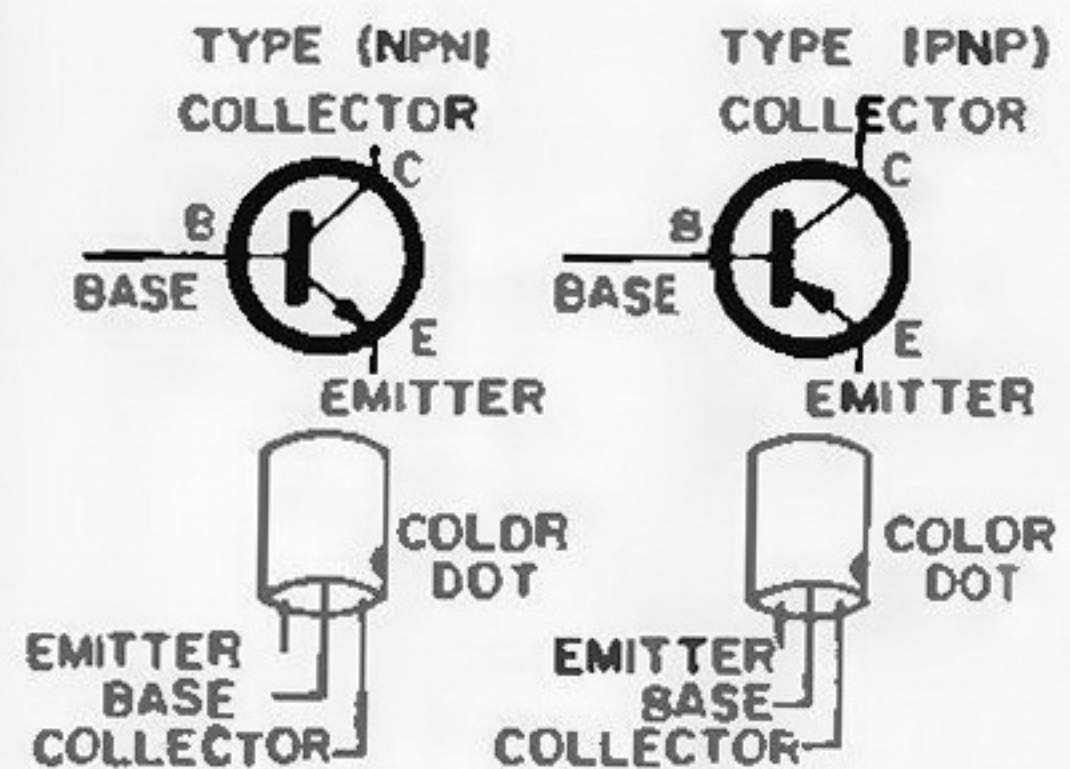
Chassis 8F3, Models YD242, YD243

pdf made by KareDany

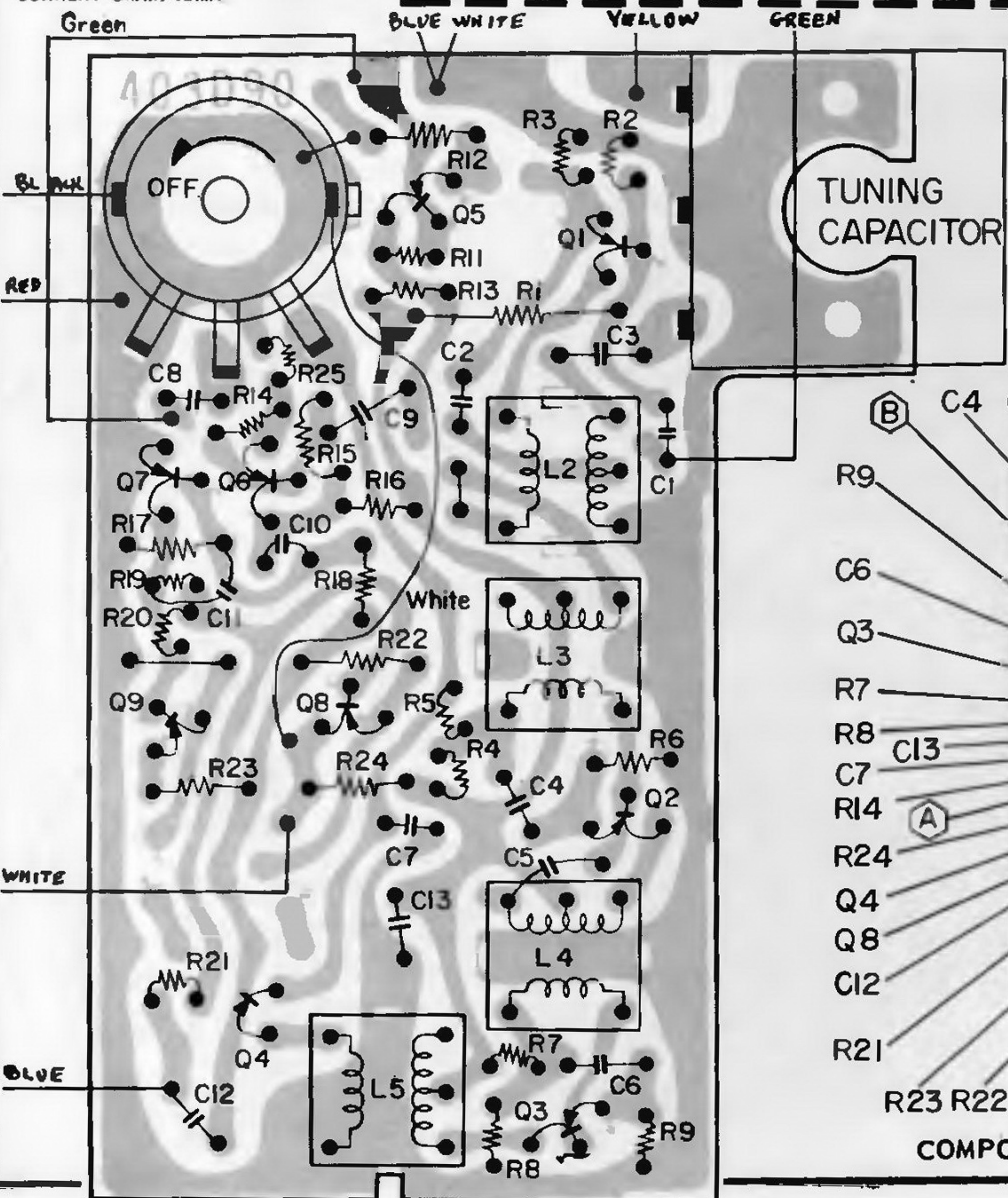
PRECISION WIRED SYSTEM 2014B377-3



*NOT MOUNTED ON CIRCUIT BOARD
VOLTAGES TAKEN WITH VTVM BETWEEN
POINTS INDICATED AND COMMON GROUND
(POSITIVE).



COMMON PRECISION WIRED GROUND
IF=455KC UNLESS OTHERWISE SPECIFIED:
CAPACITOR VALUES IN MICROFARADS AND
RESISTOR VALUES IN OHMS 1/4WATT, 10%
VOLTAGE AND CURRENT READINGS TAKEN
WITH FRESH BATTERY, NO SIGNAL,
VOLUME CONTROL AT MINIMUM,
CURRENT DRAIN=13MA



POSITION BATTERY IN FRONT SECTION OF CASE SO THAT SNAPS ON BATTERY MATE WITH SNAPS ON BATTERY CLIP.

BATTERY CLIP WITH SNAP FASTENERS.

