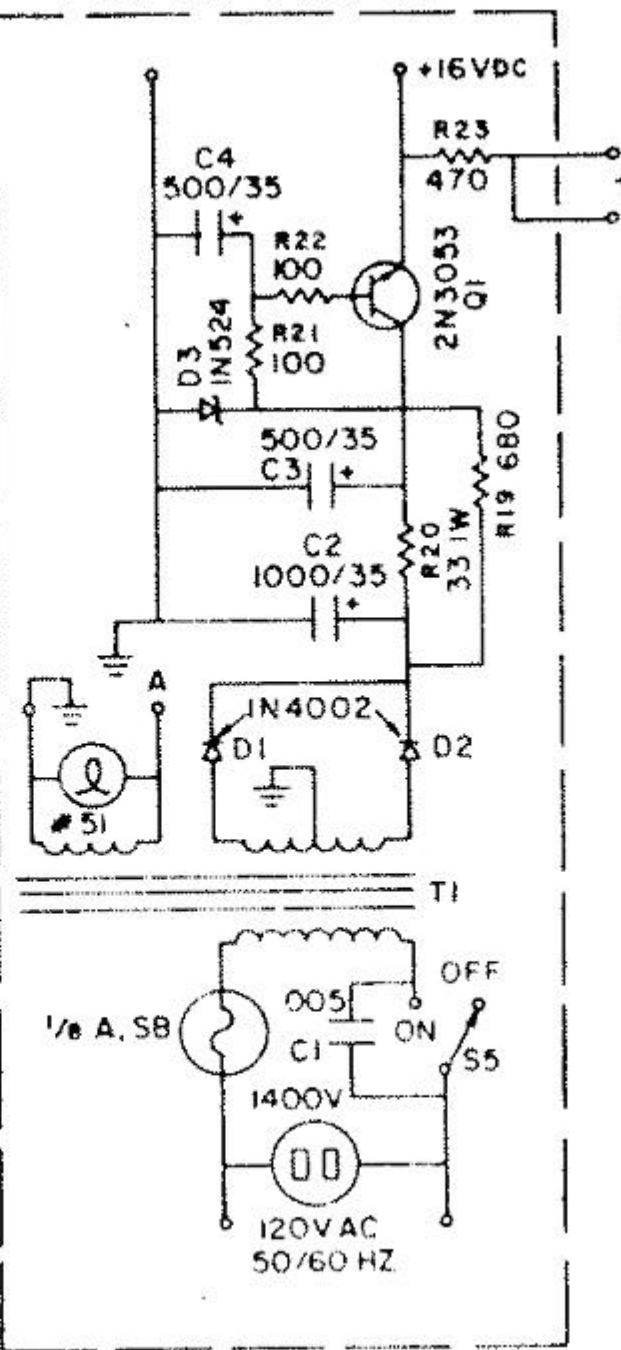


TOP VIEWS



POWER SUPPLY



- NOTES
- ALL RESISTORS ARE 1/4 WATT 10% UNLESS SPECIFIED
  - ALL CAPACITORS IN MFD UNLESS SPECIFIED
  - S1A-B-C REC CAL TONE
  - S2 SOURCE - TAPE
  - S3A-B-C NORMAL - SPECIAL
  - S4A-B MX FILTER
  - S5 POWER
  - S6A-B-C-D NOISE REDUCTION
- REV 0 12/17/71

\* SELECTED FET'S TO BE SUPPLIED BY ADVENT