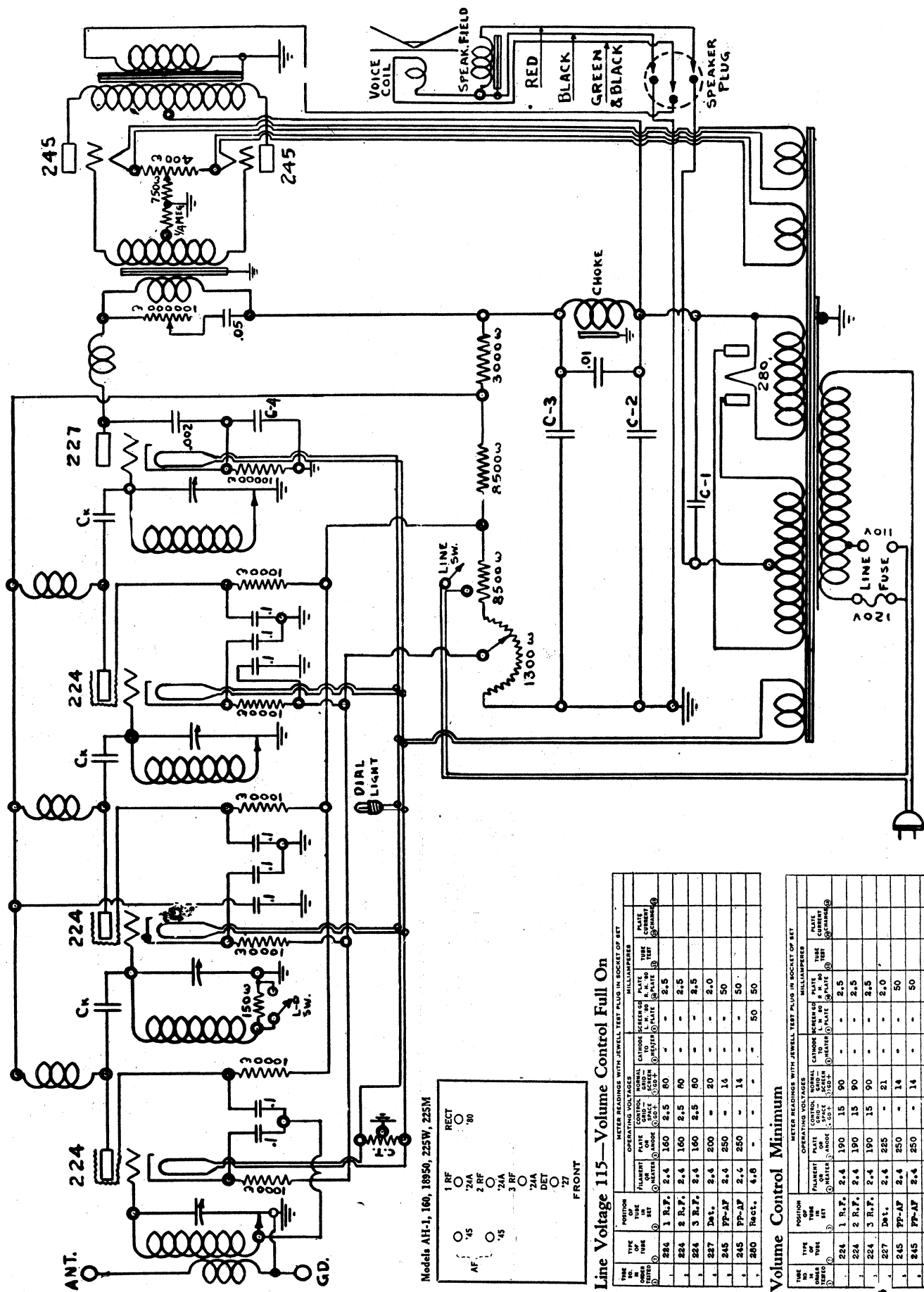
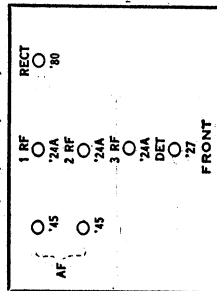


MODEL AH-1  
Schematic

A. H. GREBE & CO.



Models AH-1, 160, 18950, 225W, 225M



Line Voltage 115—Volume Control Full On

TUBE NO.	TYPE OF TUBE	POSITION IN SET	OPERATING VOLTAGES				METER READINGS WITH JEWELL TEST PLUG IN SOCKET OF SET			
			PLATE	SCREEN	CONTROL	FILAMENT	PLATE	SCREEN	CONTROL	FILAMENT
224	1 R.F.	2.4	160	2.5	80	-	2.5	-	2.5	
224	2 R.F.	2.4	160	2.5	80	-	2.5	-	2.5	
224	3 R.F.	2.4	160	2.5	80	-	2.5	-	2.5	
227	Det.	2.4	200	-	20	-	2.0	-	50	
245	PP-AP	2.4	250	-	14	-	50	-	50	
245	PP-AP	2.4	250	-	14	-	50	-	50	
280	Rect.	4.8	-	-	-	-	50	50	-	

Volume Control Minimum

TUBE NO.	TYPE OF TUBE	POSITION IN SET	OPERATING VOLTAGES				METER READINGS WITH JEWELL TEST PLUG IN SOCKET OF SET			
			PLATE	SCREEN	CONTROL	FILAMENT	PLATE	SCREEN	CONTROL	FILAMENT
224	1 R.F.	2.4	190	15	90	-	2.5	-	2.5	
224	2 R.F.	2.4	190	15	90	-	2.5	-	2.5	
224	3 R.F.	2.4	190	15	90	-	2.5	-	2.5	
227	Det.	2.4	225	-	21	-	2.0	-	50	
245	PP-AP	2.4	250	-	14	-	50	-	50	
245	PP-AP	2.4	250	-	14	-	50	-	50	
280	Rect.	4.8	-	-	-	-	50	50	-	