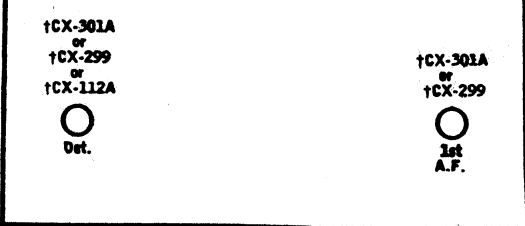


A. H. GREBE & CO.

MODEL CR-18

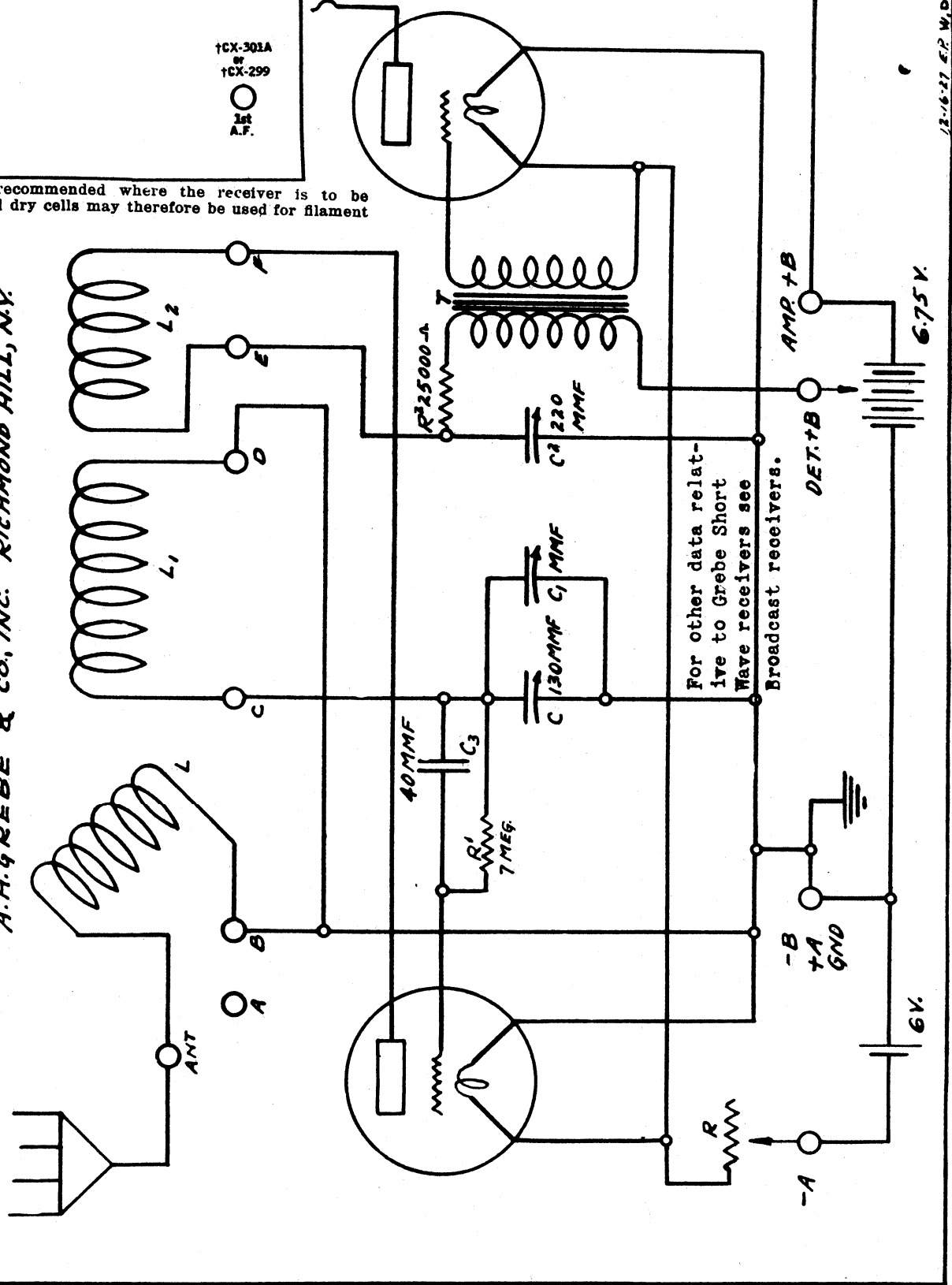
*CR-18—1 Stage A.F.

(Batt.)



*CX-299 is recommended where the receiver is to be portable and dry cells may therefore be used for filament supply.

INTERNAL WIRING DIAGRAM
FOR
GREBE SHORT WAVE RECEIVER TYPE CR-18
A.H.GREBE & CO., INC. RICHMOND HILL, N.Y.



For other data relative to Grebe Short Wave receivers see Broadcast receivers.

12-16-27 E.P.W.D