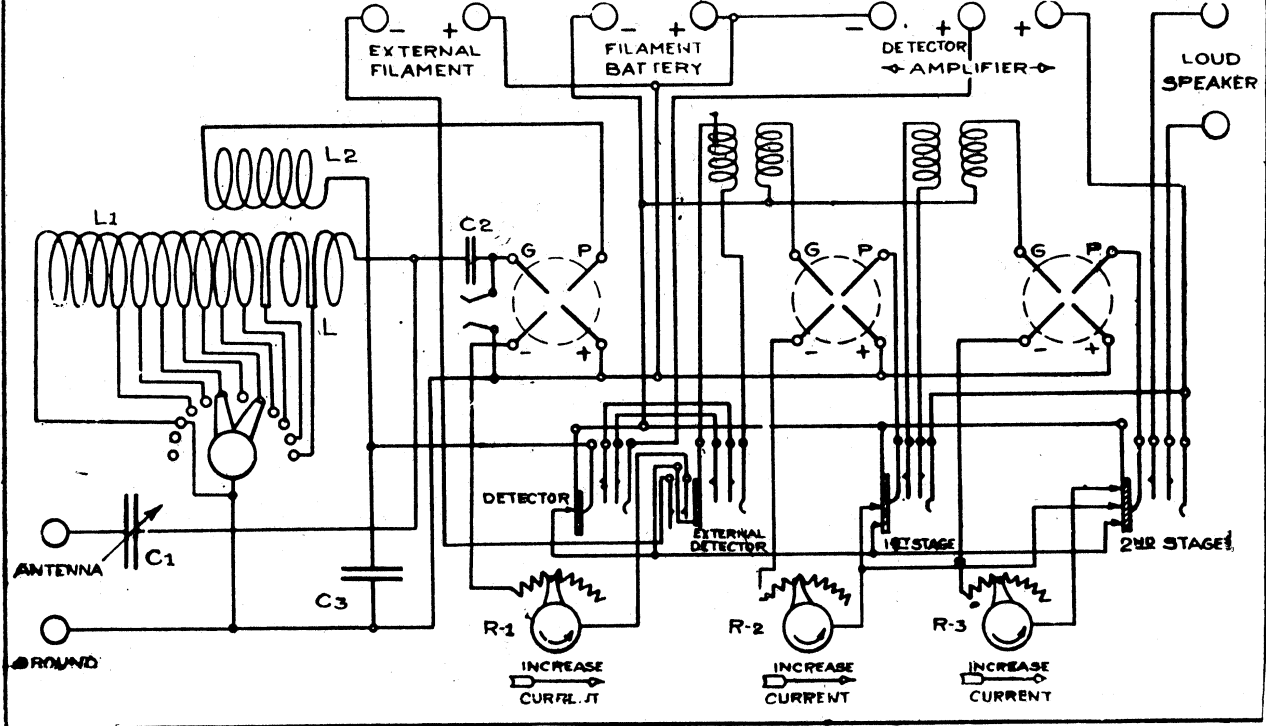


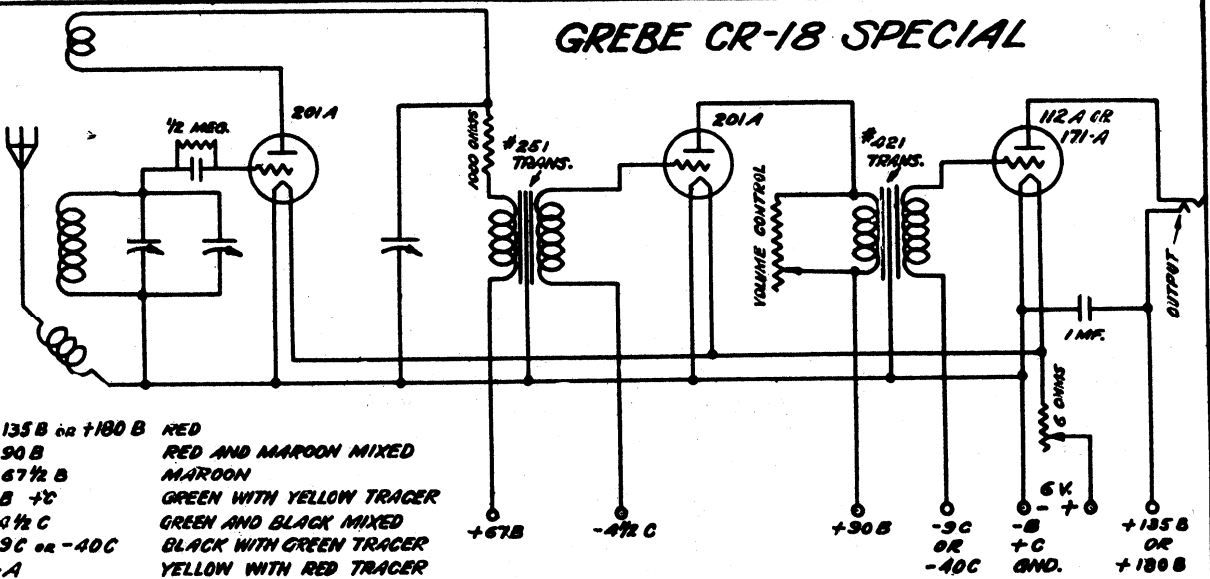
A. H. GREBE & CO.

MODEL CR-9
MODEL CR-18(Special)

**GREBE INTERMEDIATE-WAVE REGENERATIVE RECEIVER
TYPE CR-9 150-3000 METERS**



GREBE CR-18 SPECIAL

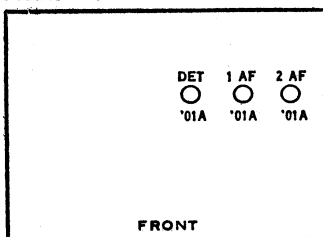


- +135 B or +180 B RED
- +90 B RED AND MAROON MIXED
- +67 1/2 B MAROON
- B +C GREEN WITH YELLOW TRACER
- 4 1/2 C GREEN AND BLACK MIXED
- 9C or -40C BLACK WITH GREEN TRACER
- +A YELLOW WITH RED TRACER
- A GND. BLACK WITH YELLOW TRACER

IN LAST STAGE
WHEN 112A TUBE IS USED CONNECT TO -9C & +135 B
" 171A " " " " -40C & +180 B

10-3-28 GP
APPROVED P.D.L.

Model CR9



Model CR18 Special

