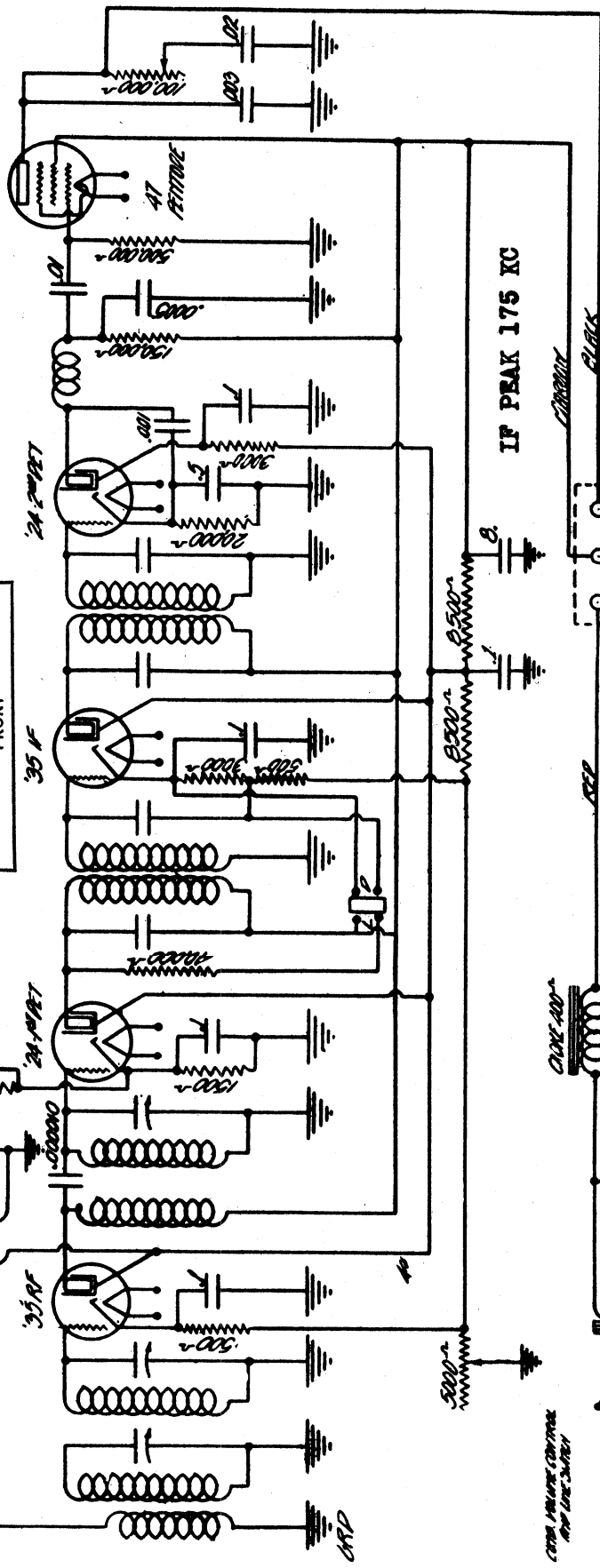
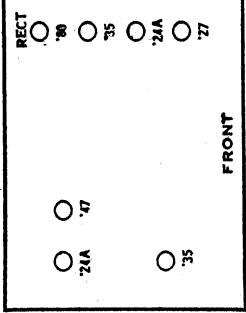


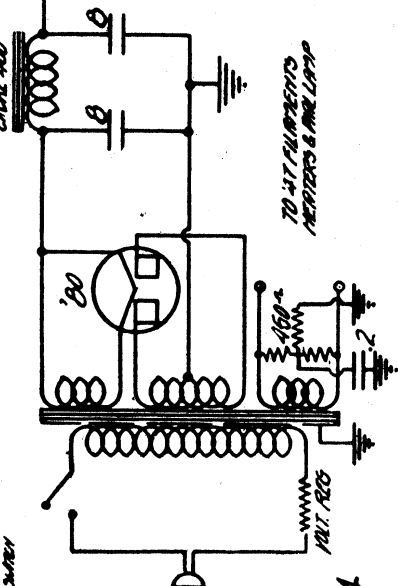
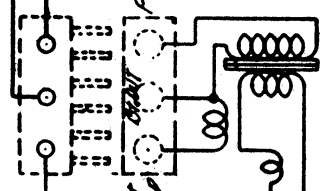
A. H. GREBE & CO.

MODEL HS-4  
1 Pentode

Model HS-4, Models 1, 2 Pentode



Tube	Plt.	K	Sor.
Rect	235	50	128
Pent	130	11.5	-
2nd D	255	11.5	128
IF	255	50	128
1st D	255	10	128
Osc.	130	11.5	128
RF	235	50	128



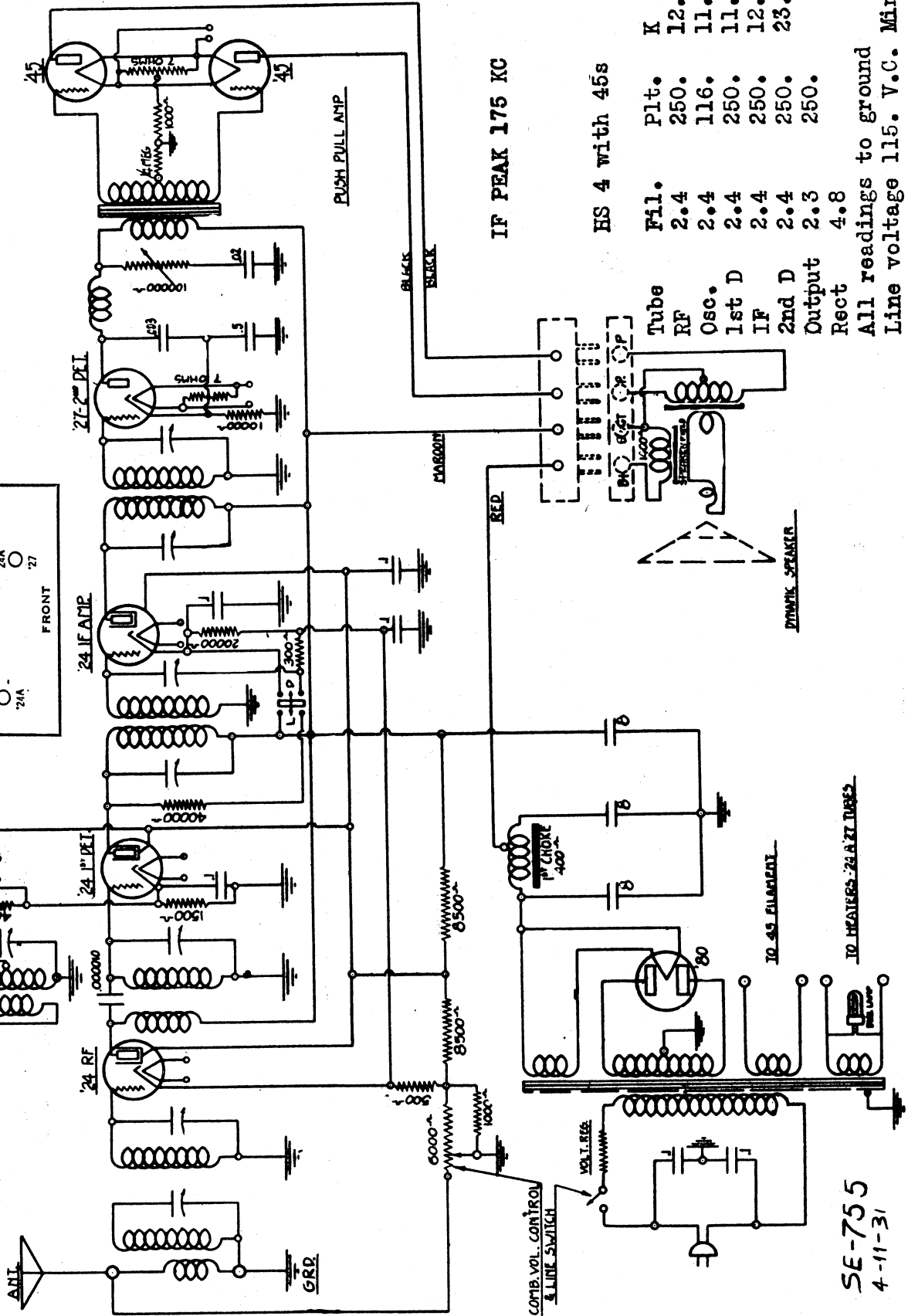
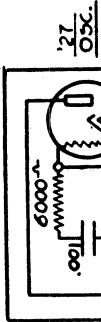
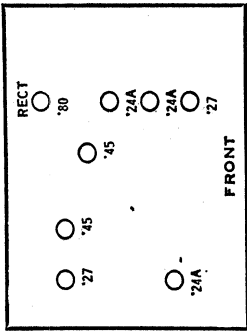
All readings to ground.  
Line voltage 115. V.C. Min.

SE-764  
6-1-31

MODEL HS-4  
With 45 P.P.

A. H. GREBE & CO.

Model HS-4, Models 1, 2, 3, 4



IF PEAK 175 KC

HS 4 with 45S

Tube	Plt.	Scr.
RF	250.	116.
Osc.	116.	--
1st D	250.	116.
IF	250.	116.
2nd D	250.	23.
Output	2.3	
Rect	4.8	

All readings to ground  
Line voltage 115. V.C. Min.

SE-755  
4-11-31