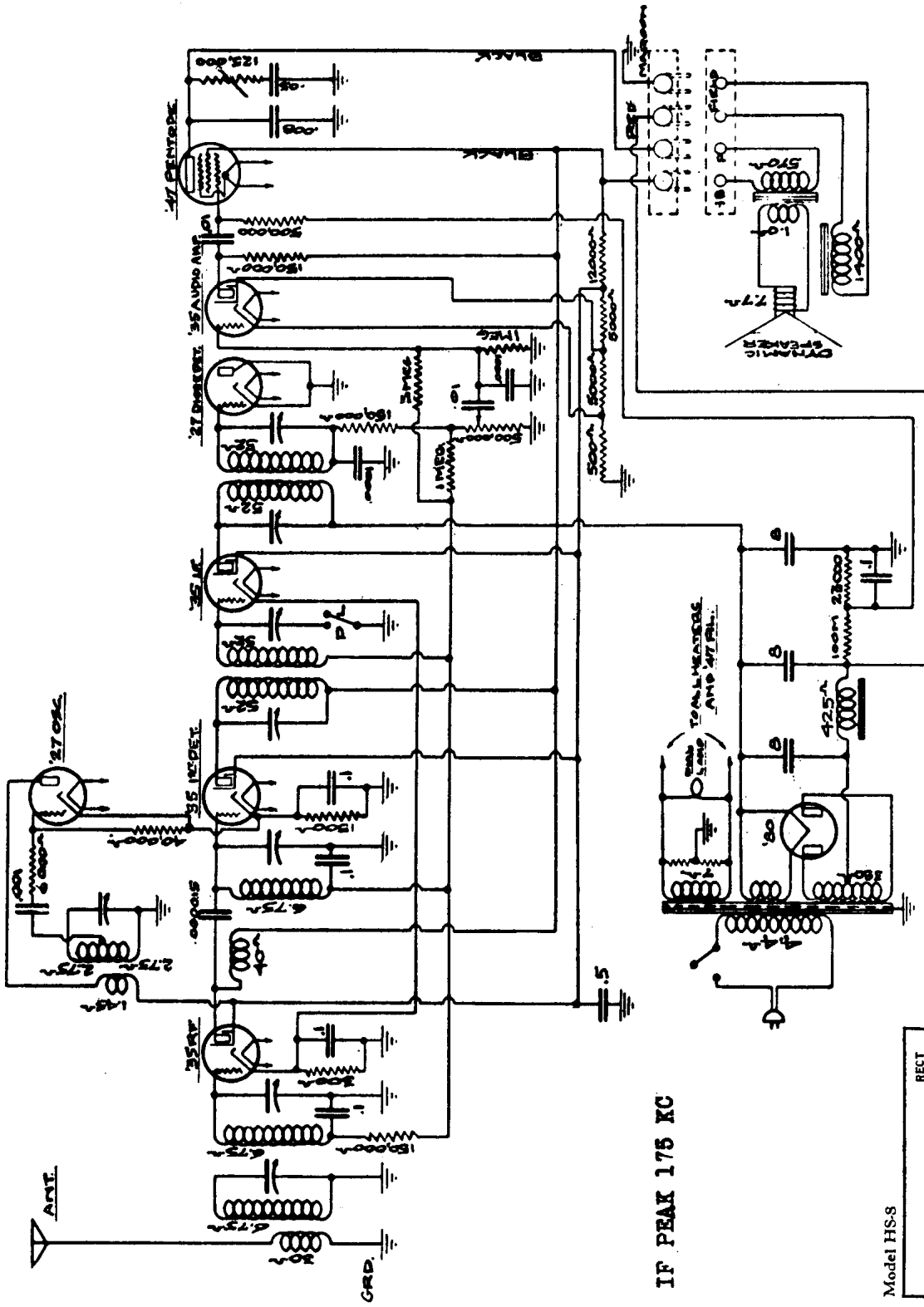


A. H. GREBE & CO.

MODEL HS-8



IF PEAK 175 KC

Model HS-8

RECT	50	35	25	50
	20A	47	35	

FRONT

Courtesy Nostalgia Air