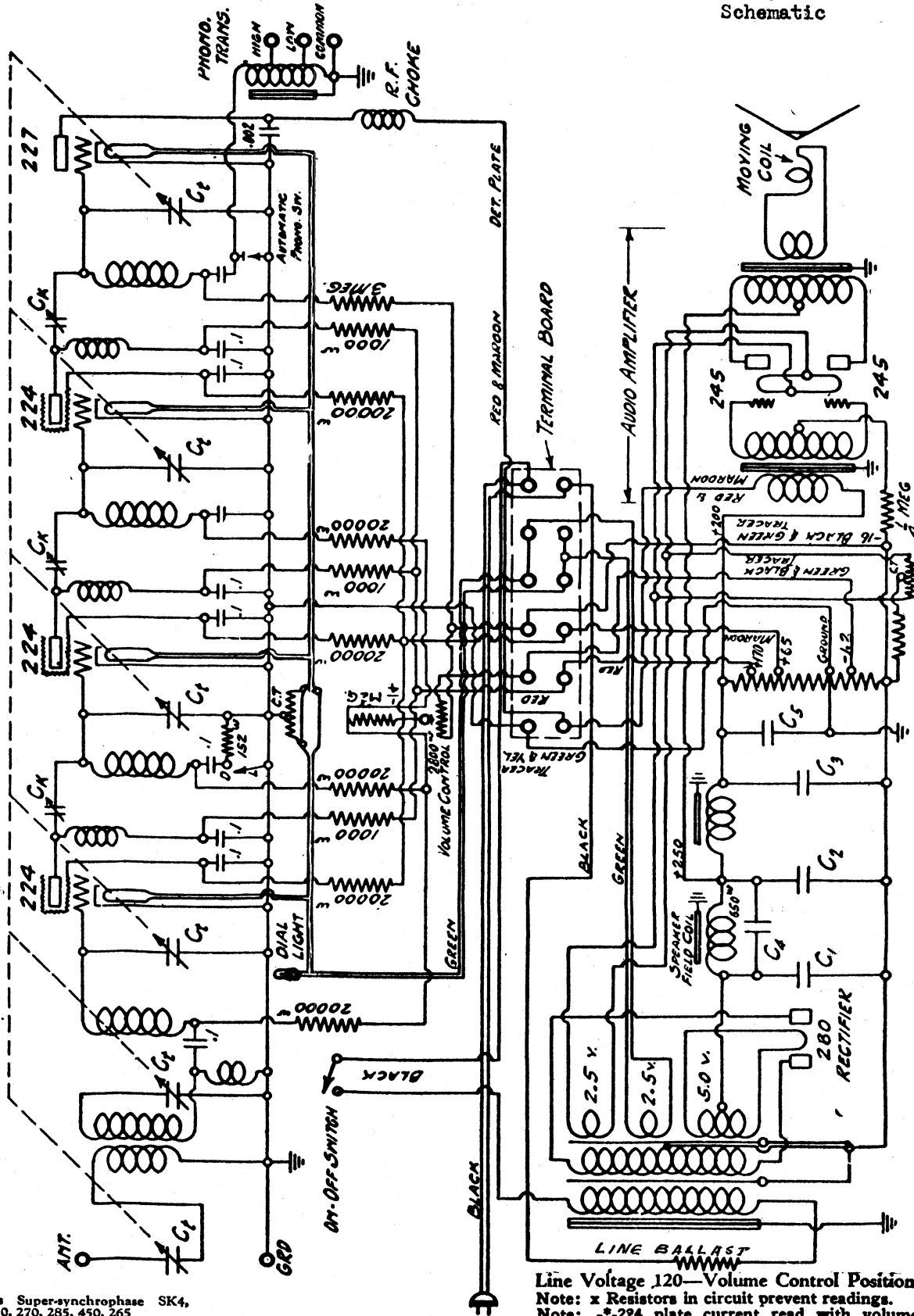


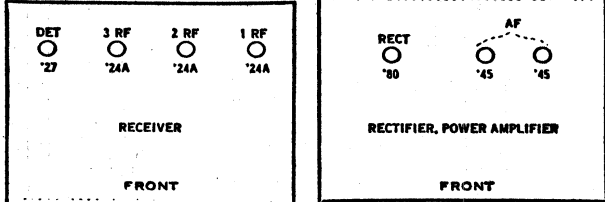
A. H. GREBE & CO.

MODEL Synchrophase SK-4
Early Model
Schematic



GREBE SYNCHROPHASE SK-4 Early Model

Models Super-synchrophase SK4,
21950, 270, 285, 450, 265



Line Voltage 120—Volume Control Position Min.*
Note: x Resistors in circuit prevent readings.
Note: *-224 plate current read with volume control at maximum position.

TUBE NO. IN ORDER	TYPE OF TUBE	POSITION OF TUBE (LET R, DET ETC.)	TUBE OUT				TUBE IN TESTER					
			A VOLTS	B VOLTS	A VOLTS	B VOLTS	VOLTS - CATHODE HEATER	NORMAL PLATE CURRENT (mA)	PLATE CHANGE (mA)	SCREEN CHG (mA)		
224	1st RF		2.7	195	2.35	188	14	-	0	2	2	57
224	2nd RF		2.7	195	2.35	188	14	-	0	2	2	57
224	3rd RF		2.7	195	2.35	188	14	-	0	2	2	57
227	Det.		2.7	195	2.35	210	x	-	.8	.8	0	-
245	1st AF		2.7	270	2.35	245	x	-	30	34	4	-
245	2nd AF		2.7	270	2.35	245	x	-	30	34	4	-
280	Rect.		7	-	5.2	-	x	-	90	-	-	-