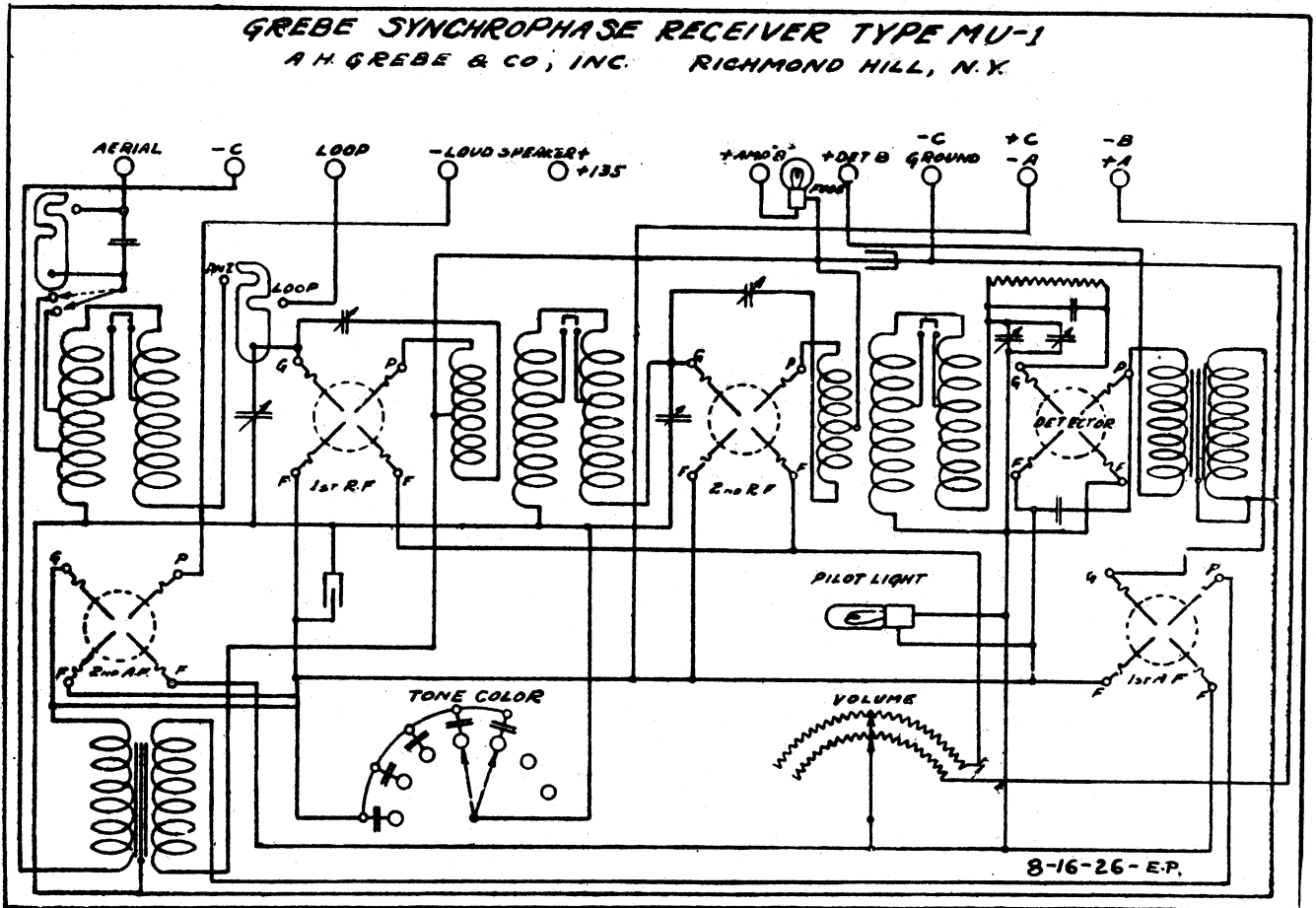
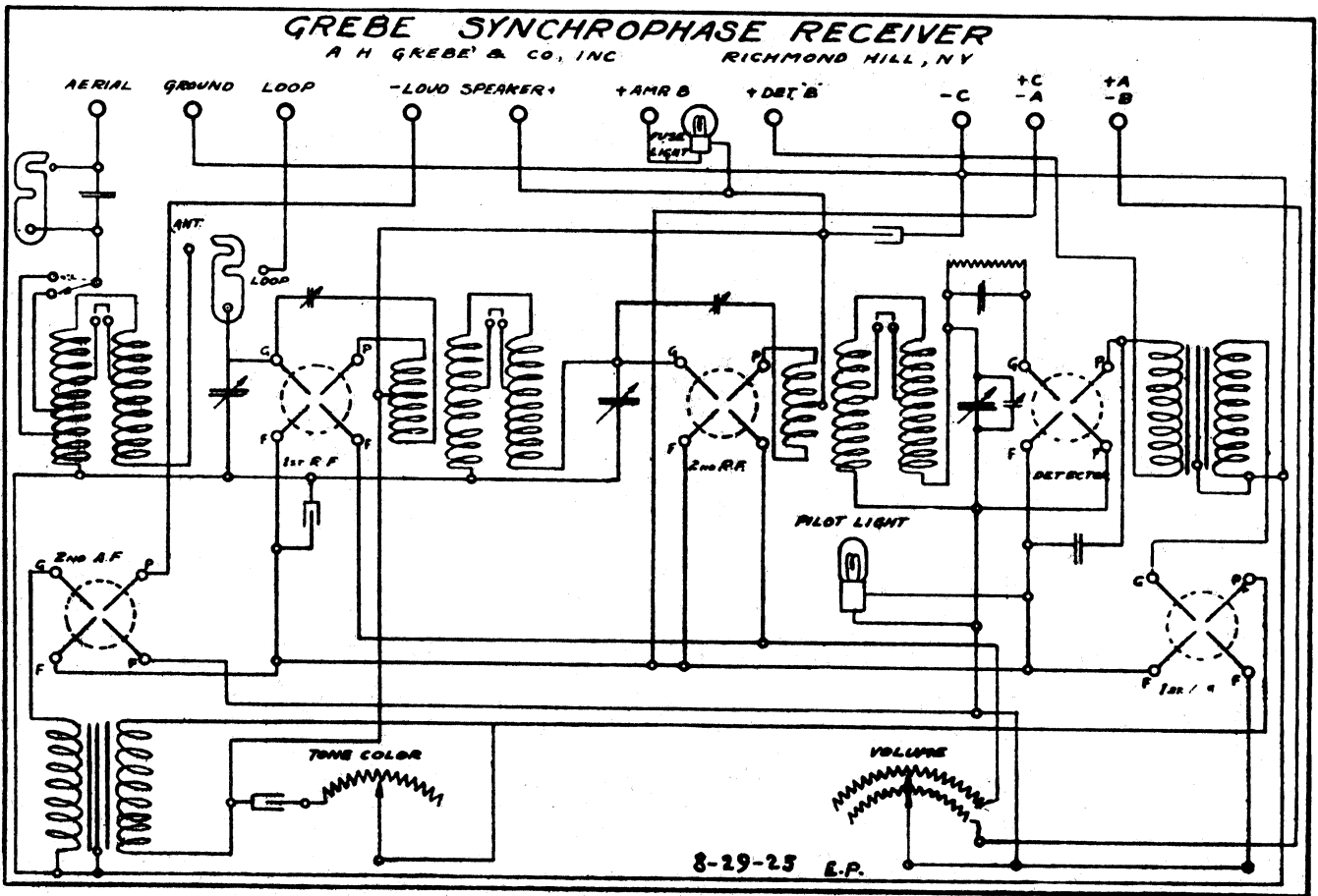


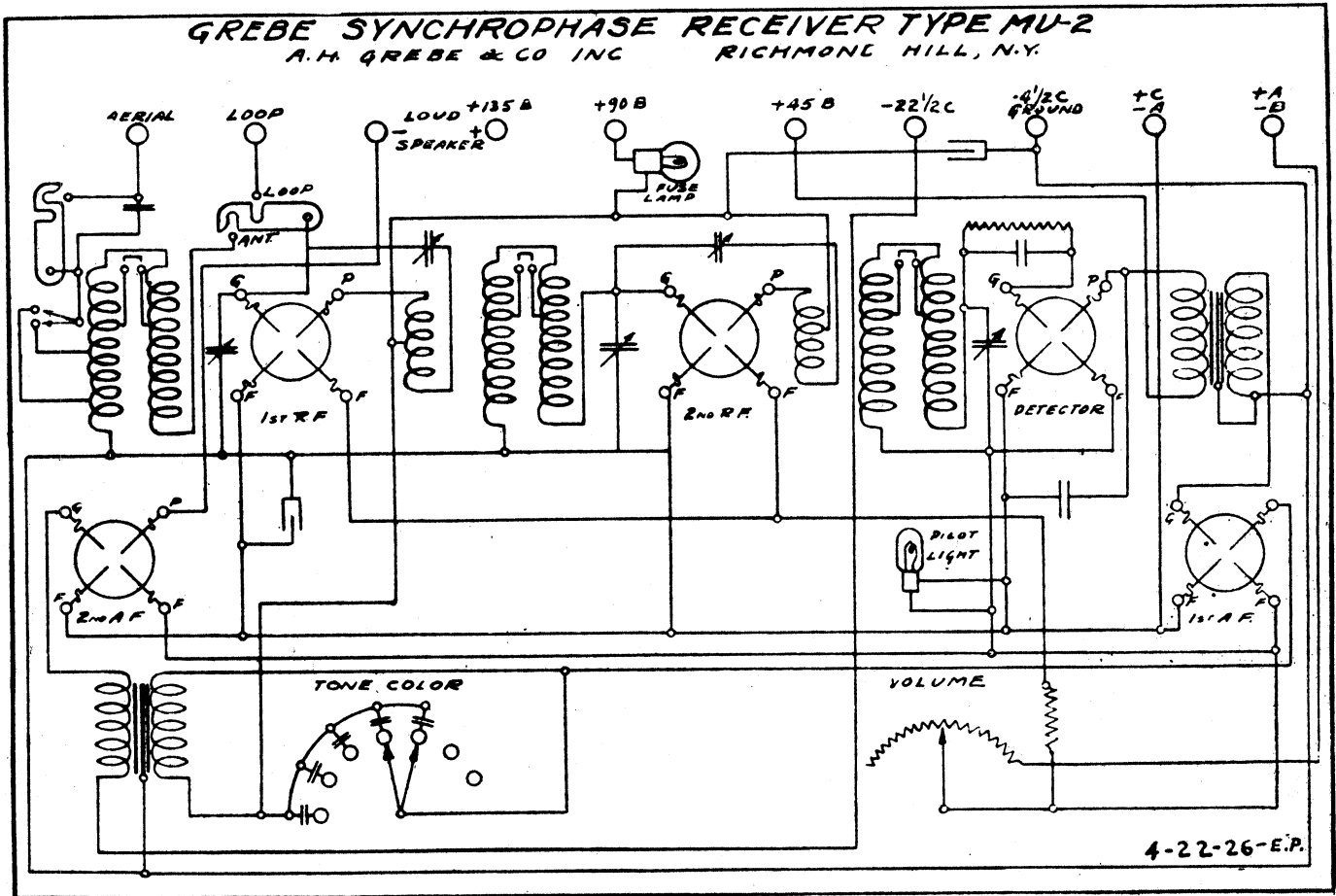
A. H. GREBE & CO., Inc.

MODEL Synchrophase 1925
MODEL Synchrophase MU-1

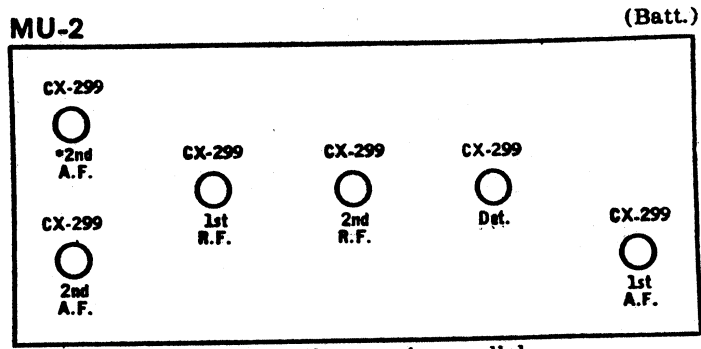


MODEL Synchrophase MU-2

A. H. GREBE & CO., Inc.



4-22-26-E.P.



GREBE SYNCHROPHASE "5" or "MU-1"
 Tube No. 5 Used in 1925 Models
 Tube No. 6 Used in Early 1927 Models
 Tube No. 7 Used in Late 1927 Models

TUBE NO. IN ORDER	TYPE OF TUBE	POSITION OF TUBE 1ST R.F. DET. ETC.	READINGS, PLUG IN SOCKET OF SET									
			TUBE OUT			TUBE IN TESTER			TUBE IN TESTER			
			A VOLTS	B VOLTS	C VOLTS	A VOLTS	B VOLTS	C VOLTS	CATHODE VOLTS	NORMAL PLATE M.A.	PLATE M.A. GRID TEST	PLATE M.A. CHARGE
1	201A	1st. R.F.	6	100	5	90	4.5		5.0	7.5	2.5	
2	201A	2nd. R.F.	6	100	5	90	4.5		5.0	7.5	2.5	
3	201A	Detector	6	25	5	90	5.0		2.0	5.5	3.5	
4	201A	1st. A.F.	6	100	5	90	4.5		5.0	7.5	2.5	
5	201A	2nd. A.F.	6	100	5	90	4.5		5.0	7.5	2.5	
6	112	2nd. A.F.	6	150	5	135	5		9.0	13.5	4.5	
7	171A	2nd. A.F.	6	200	5	180	4.0		20.0	28.0	6.0	

