

aiwa



AM-F65 AM-F70

MINIDISC RECORDER

• BASIC MD MECHANISM: 8ZG-2 R1

• TYPE: AEZ,AK

SIMPLE MANUAL

• Replace this Service Manual with "Revision Publishing" when it is issued.

S/M Code No. 09-991-400-1T5

MANUAL
SERVICE

ELECTRICAL MAIN PARTS LIST - 1/3

NOTE: The characters in the suffix column indicate the part usage.

[N] 70AKXXG
[G] 70AEZXXH
[N] 70AEZXXI
[S] 65AKXXJ
[S] 65AEZXXK
[L] 65AEZXXL

REF.NO	PARTS NO.	KANRI NO.	DESCRIPTION	SUFFIX	
*	8Z-HM1-606-010		PWB,FLEX TACT	ABCDEFGHIJKL.....	
*	8Z-HM1-608-010		PWB,FLEX EL	ABCDEFGHIJKL.....	
*	8Z-HM1-610-010		PWB,FLEX MECHA	ABCDEFGHIJKL.....	
LCD	0		8Z-HM1-605-010	LCD,ZHM-1 COG	ABCDEFGHIJKL.....
C	109		87-010-787-080	CAP,U 0.022-25	ABCDEFGHIJKL.....
C	108		87-012-286-080	CAP,U 0.01-25	ABCDEFGHIJKL.....
C	106		87-016-296-080	C-CAP,TN 22-4SV(A)	ABCDEFGHIJKL.....
C	103		87-016-296-080	C-CAP,TN 22-4SV(A)	ABCDEFGHIJKL.....
C	102		87-016-296-080	C-CAP,TN 22-4SV(A)	ABCDEFGHIJKL.....
C	100		87-016-296-080	C-CAP,TN 22-4SV(A)	ABCDEFGHIJKL.....
C	107		87-A10-504-080	C-CAP,U 0.047-16 K B	ABCDEFGHIJKL.....
C	104		87-A11-046-080	C-CAP,TN 100U-4 M F95 B	ABCDEFGHIJKL.....
C	119		87-010-787-080	CAP,U 0.022-25	ABCDEFGHIJKL.....
C	116		87-012-195-080	C-CAP,U 100P-50CH	ABCDEFGHIJKL.....
C	111		87-012-282-080	CAP,U 4700P-50	ABCDEFGHIJKL.....
C	113		87-012-282-080	CAP,U 4700P-50	ABCDEFGHIJKL.....
C	117		87-012-286-080	CAP,U 0.01-25	ABCDEFGHIJKL.....
C	118		87-012-286-080	CAP,U 0.01-25	ABCDEFGHIJKL.....
C	115		87-016-448-080	C-CAP,TN 2.2-10 F95P	ABCDEFGHIJKL.....
C	110		87-A10-353-080	C-CAP,U0.22-10KB	ABCDEFGHIJKL.....
C	114		87-A11-049-080	C-CAP,U 1-6.3 K B	ABCDEFGHIJKL.....
C	112		87-A11-049-080	C-CAP,U 1-6.3 K B	ABCDEFGHIJKL.....
C	120		87-012-284-080	CAP,U 6800P-50	ABCDEFGHIJKL.....
C	123		87-012-286-080	CAP,U 0.01-25	ABCDEFGHIJKL.....
C	122		87-012-286-080	CAP,U 0.01-25	ABCDEFGHIJKL.....
C	121		87-A10-504-080	C-CAP,U 0.047-16 K B	ABCDEFGHIJKL.....
CN	100		87-A60-470-080	C-CONN,22P H SFV2ST	ABCDEFGHIJKL.....
IC	100		87-A20-707-010	C-IC,CXA2523AR	ABCDEFGHIJKL.....
IC	101		87-A20-710-040	C-IC,S-8110AMP	ABCDEFGHIJKL.....
L	100		87-A50-360-080	C-COIL, 47UH K NLFC252018	ABCDEFGHIJKL.....
L	102		87-A50-360-080	C-COIL, 47UH K NLFC252018	ABCDEFGHIJKL.....
Q	102		87-026-644-080	C-TR,DTA144EE	ABCDEFGHIJKL.....
Q	101		87-A30-148-080	C-TR,2SC4738GR	ABCDEFGHIJKL.....
Q	100		89-115-884-080	CHIP -TRANSISTER 2SA1588Y	ABCDEFGHIJKL.....
R	108		87-022-294-080	C-RES,U 470K 1-16W F	ABCDEFGHIJKL.....
R	116		87-022-223-080	CHIP RES 2.2K 1/16W F	ABCDEFGHIJKL.....
R	115		87-022-223-080	CHIP RES 2.2K 1/16W F	ABCDEFGHIJKL.....
R	114		87-022-223-080	CHIP RES 2.2K 1/16W F	ABCDEFGHIJKL.....
C	206		87-012-270-080	CAP,U 470P-50	ABCDEFGHIJKL.....
C	202		87-012-280-080	OE CAP,U 3300P-50	AB.....
C	208		87-012-286-080	CAP,U 0.01-25	ABCDEFGHIJKL.....
C	202		87-012-286-080	CAP,U 0.01-25	ABCDEFGHIJKL.....
C	209		87-A10-260-080	C-CAP,U 0.1-16 K B	ABCDEFGHIJKL.....
C	201		87-A10-260-080	C-CAP,U 0.1-16 K B	ABCDEFGHIJKL.....
C	205		87-A10-260-080	C-CAP,U 0.1-16 K B	ABCDEFGHIJKL.....
C	200		87-A10-260-080	C-CAP,U 0.1-16 K B	ABCDEFGHIJKL.....
C	203		87-A10-827-080	C-CAP,U 0.47-6.3 K B	ABCDEFGHIJKL.....
C	204		87-A10-827-080	C-CAP,U 0.47-6.3 K B	ABCDEFGHIJKL.....
C	207		87-A10-827-080	C-CAP,U 0.47-6.3 K B	ABCDEFGHIJKL.....
C	216		87-010-785-080	C-CAP,U0.015-25BK	ABCDEFGHIJKL.....
C	210		87-012-169-080	C-CAP,U 7P-50 CH	..CDEFGHIJKL.....
C	211		87-012-169-080	C-CAP,U 7P-50 CH	..CDEFGHIJKL.....
C	210		87-012-180-080	OE C-CAP,U 22P-50 CH	AB.....
C	211		87-012-180-080	OE C-CAP,U 22P-50 CH	AB.....
C	217		87-012-274-080	CHIP CAP,U 1000P-50B	ABCDEFGHIJKL.....
C	218		87-012-274-080	CHIP CAP,U 1000P-50B	ABCDEFGHIJKL.....
C	214		87-A10-260-080	C-CAP,U 0.1-16 K B	ABCDEFGHIJKL.....
C	212		87-A11-050-080	C-CAP,TN 47U-4 M F95 A	ABCDEFGHIJKL.....
IC	200		87-A20-708-010	C-IC,CXD2652AR	ABCDEFGHIJKL.....
IC	204		87-A21-027-040	C-IC,TC7W66FU	ABCDEFGHIJKL.....
IC	203		87-A21-140-010	C-IC,MSM51V17400D	ABCDEFGHIJKL.....
L	200		87-A50-359-080	C-COIL, 22UH K NLFC252018	ABCDEFGHIJKL.....
Q	205		87-026-644-080	C-TR,DTA144EE	ABCDEFGHIJKL.....
Q	202		87-A30-147-080	C-TR,2SA1832GR	ABCDEFGHIJKL.....
Q	201		87-A30-147-080	C-TR,2SA1832GR	ABCDEFGHIJKL.....
Q	200		87-A30-147-080	C-TR,2SA1832GR	ABCDEFGHIJKL.....
Q	221		87-A90-857-080	C-F-BEAD, BK1608HM601EFGHIJKL.....
X	200		87-A70-160-080	C-VIB,XTAL 22.5792MHZ FCX-03	ABCDEFGHIJKL.....
C	400		87-A11-049-080	C-CAP,U 1-6.3 K B	ABCDEFGHIJKL.....
C	414		87-012-278-080	C-CAP,U 2200P-50 B	ABCDEFGHIJKL.....
C	416		87-012-278-080	C-CAP,U 2200P-50 B	ABCDEFGHIJKL.....
C	415		87-012-278-080	C-CAP,U 2200P-50 B	ABCDEFGHIJKL.....
C	419		87-A10-260-080	C-CAP,U 0.1-16 K B	ABCDEFGHIJKL.....
C	417		87-A10-260-080	C-CAP,U 0.1-16 K B	ABCDEFGHIJKL.....
C	418		87-A10-260-080	C-CAP,U 0.1-16 K B	ABCDEFGHIJKL.....
C	413		87-A10-353-080	C-CAP,U0.22-10KB	ABCDEFGHIJKL.....
C	412		87-A11-070-080	C-CAP,U 0.033-16 K B	ABCDEFGHIJKL.....
C	411		87-A11-070-080	C-CAP,U 0.033-16 K B	ABCDEFGHIJKL.....
C	425		87-016-448-080	C-CAP,TN 2.2-10 F95P	ABCDEFGHIJKL.....
C	424		87-A10-260-080	C-CAP,U 0.1-16 K B	ABCDEFGHIJKL.....
C	422		87-A10-260-080	C-CAP,U 0.1-16 K B	ABCDEFGHIJKL.....

ELECTRICAL MAIN PARTS LIST - 2/3

C	423	87-A10-260-080	C-CAP,U 0.1-16 K B	ABCDEFGHIJKL.....
C	429	87-A11-046-080	C-CAP,TN 100U-4 M F95 B	ABCDEFGHIJKL.....
C	420	87-A11-049-080	C-CAP,U 1-6.3 K B	ABCDEFGHIJKL.....
C	421	87-A11-049-080	C-CAP,U 1-6.3 K B	ABCDEFGHIJKL.....
C	432	87-016-296-080	C-CAP,TN 22-4SV(A)	ABCDEFGHIJKL.....
C	431	87-016-448-080	C-CAP,TN 2.2-10 F95P	ABCDEFGHIJKL.....
C	430	87-A11-046-080	C-CAP,TN 100U-4 M F95 B	ABCDEFGHIJKL.....
CN	200	87-A60-763-080	C-CONN,14P H SFV1ST	ABCDEFGHIJKL.....
IC	400	87-A21-024-010	C-IC,BD6601KV	ABCDEFGHIJKL.....
IC	401	87-A21-199-040	C-IC,LB1638M	ABCDEFGHIJKL.....
L	416	87-A50-011-080	C-COIL,47UH LQH3C	ABCDEFGHIJKL.....
L	415	87-A50-012-080	C-COIL,100UH LQH3C	ABCDEFGHIJKL.....
L	413	87-A50-358-080	C-COIL, 10UH K NLFC252018	ABCDEFGHIJKL.....
L	414	87-A50-358-080	C-COIL, 10UH K NLFC252018	ABCDEFGHIJKL.....
L	412	87-A50-358-080	C-COIL, 10UH K NLFC252018	ABCDEFGHIJKL.....
L	411	87-A50-358-080	C-COIL, 10UH K NLFC252018	ABCDEFGHIJKL.....
L	417	87-A50-359-080	C-COIL, 22UH K NLFC252018	ABCDEFGHIJKL.....
Q	609	87-026-645-080	C-TR,DTC144EE	..CDEFGHIJKL.....
Q	610	87-A30-262-080	C-FET,FDC634P	..CDEFGHIJKL.....
Q	500	87-012-266-080	C-CAP,U 220P-50 B	ABCDEFGHIJKL.....
C	504	87-012-278-080	C-CAP,U 2200P-50 B	ABCDEFGHIJKL.....
C	507	87-012-286-080	CAP, U 0.01-25	ABCDEFGHIJKL.....
C	503	87-012-286-080	CAP, U 0.01-25	ABCDEFGHIJKL.....
C	501	87-016-296-080	C-CAP,TN 22-4SV(A)	ABCDEFGHIJKL.....
C	502	87-016-448-080	C-CAP,TN 2.2-10 F95P	ABCDEFGHIJKL.....
C	506	87-016-564-080	C-CAP,10-6.3 PSN	ABCDEFGHIJKL.....
C	508	87-A10-504-080	C-CAP,U 0.047-16 K B	ABCDEFGHIJKL.....
C	509	87-A10-504-080	C-CAP,U 0.047-16 K B	ABCDEFGHIJKL.....
C	505	87-A11-049-080	C-CAP,U 1-6.3 K B	ABCDEFGHIJKL.....
C	510	87-012-270-080	CAP, U 470P-50	ABCDEFGHIJKL.....
C	512	87-016-449-080	C-CAP,TN 10-4 F95 P	ABCDEFGHIJKL.....
C	511	87-A10-260-080	C-CAP,U 0.1-16 K B	ABCDEFGHIJKL.....
CN	300	87-A60-472-080	C-CONN,6P H SFV1ST	ABCDEFGHIJKL.....
D	502	87-A40-124-080	C-DIODE,RB501V-40	ABCDEFGHIJKL.....
D	501	87-A40-412-040	C-DIODE,SB05-05CP	ABCDEFGHIJKL.....
D	500	87-A40-412-040	C-DIODE,SB05-05CP	ABCDEFGHIJKL.....
IC	500	87-A20-719-040	C-IC,MPC18A20VM	ABCDEFGHIJKL.....
L	501	87-A50-011-080	C-COIL,47UH LQH3C	ABCDEFGHIJKL.....
L	500	87-A50-361-080	C-COIL, 100UH K NLFC252018	ABCDEFGHIJKL.....
Q	504	87-026-645-080	C-TR,DTC144EE	ABCDEFGHIJKL.....
Q	501	87-A30-150-080	C-FET,XTDF2N06HD	ABCDEFGHIJKL.....
Q	500	87-A30-150-080	C-FET,XTDF2N06HD	ABCDEFGHIJKL.....
R	506	87-022-217-080	C-RES,U 1.2K-1/16W F	ABCDEFGHIJKL.....
R	502	87-022-227-080	C-RES,U 3.3K-1/16W F	ABCDEFGHIJKL.....
R	507	87-022-237-080	C-RES,U 8.2K-1/16W F	ABCDEFGHIJKL.....
R	509	87-022-241-080	CHIP RESTOR 12K 1/16W F	ABCDEFGHIJKL.....
R	508	87-022-243-080	CHIP RES,U 15K-1/16W F	ABCDEFGHIJKL.....
C	705	87-012-337-080	C-CAP,U 56P-50 CH	ABCDEFGHIJKL.....
C	707	87-012-337-080	C-CAP,U 56P-50 CH	ABCDEFGHIJKL.....
C	706	87-012-337-080	C-CAP,U 56P-50 CH	ABCDEFGHIJKL.....
C	708	87-012-337-080	C-CAP,U 56P-50 CH	ABCDEFGHIJKL.....
C	700	87-A11-046-080	C-CAP,TN 100U-4 M F95 B	ABCDEFGHIJKL.....
C	713	87-016-296-080	C-CAP,TN 22-4SV(A)	ABCDEFGHIJKL.....
C	710	87-016-296-080	C-CAP,TN 22-4SV(A)	ABCDEFGHIJKL.....
C	711	87-016-449-080	C-CAP,TN 10-4 F95 P	ABCDEFGHIJKL.....
C	712	87-016-449-080	C-CAP,TN 10-4 F95 P	ABCDEFGHIJKL.....
C	715	87-A11-049-080	C-CAP,U 1-6.3 K B	ABCDEFGHIJKL.....
C	714	87-A11-049-080	C-CAP,U 1-6.3 K B	ABCDEFGHIJKL.....
C	716	87-A11-049-080	C-CAP,U 1-6.3 K B	ABCDEFGHIJKL.....
C	717	87-A11-049-080	C-CAP,U 1-6.3 K B	ABCDEFGHIJKL.....
C	753	87-012-274-080	CHIP CAP,U 1000P-50B	..CDEFGHIJKL.....
C	754	87-012-274-080	CHIP CAP,U 1000P-50B	..CDEFGHIJKL.....
C	755	87-A10-260-080	C-CAP,U 0.1-16 K B	ABCDEFGHIJKL.....
C	756	87-A10-260-080	C-CAP,U 0.1-16 K B	ABCDEFGHIJKL.....
C	779	87-A10-048-080	C-CAP,TN 22-4 F95 S	ABCDEFGHIJKL.....
C	778	87-A10-048-080	C-CAP,TN 22-4 F95 S	ABCDEFGHIJKL.....
C	777	87-A11-049-080	C-CAP,U 1-6.3 K B	ABCDEFGHIJKL.....
C	776	87-A11-049-080	C-CAP,U 1-6.3 K B	ABCDEFGHIJKL.....
C	775	87-A11-049-080	C-CAP,U 1-6.3 K B	ABCDEFGHIJKL.....
C	773	87-A11-049-080	C-CAP,U 1-6.3 K B	ABCDEFGHIJKL.....
C	782	87-016-446-080	C-CAP,TN 220-4 F95 G	ABCDEFGHIJKL.....
C	783	87-016-446-080	C-CAP,TN 220-4 F95 G	ABCDEFGHIJKL.....
C	785	87-A10-048-080	C-CAP,TN 22-4 F95 S	ABCDEFGHIJKL.....
C	784	87-A10-260-080	C-CAP,U 0.1-16 K B	ABCDEFGHIJKL.....
C	787	87-A10-260-080	C-CAP,U 0.1-16 K B	ABCDEFGHIJKL.....
C	788	87-A10-260-080	C-CAP,U 0.1-16 K B	ABCDEFGHIJKL.....
IC	700	87-A21-034-040	C-IC,UDA1341TS	ABCDEFGHIJKL.....
IC	701	87-A21-036-040	C-IC,R1110N251B-TR	ABCDEFGHIJKL.....
IC	770	87-A21-029-040	C-IC,BA3577FV	ABCDEFGHIJKL.....
J	730	87-A60-475-010	JACK,GP1F562R	ABCDEFGHIJKL.....
J	780	87-A60-682-010	JACK,3.5 ST 7P	ABCDEFGHIJKL.....
L	710	87-003-245-080	C-COIL, 22UH	ABCDEFGHIJKL.....
L	730	87-A50-362-080	C-COIL,ACM2520-601-2P	ABCDEFGHIJKL.....
L	731	87-A50-362-080	C-COIL,ACM2520-601-2P	ABCDEFGHIJKL.....
L	770	87-A50-362-080	C-COIL,ACM2520-601-2P	ABCDEFGHIJKL.....
L	771	87-A50-362-080	C-COIL,ACM2520-601-2P	ABCDEFGHIJKL.....
Q	701	87-026-527-080	C-TR,HN1A01FU(G)	ABCDEFGHIJKL.....
Q	700	87-026-527-080	C-TR,HN1A01FU(G)	ABCDEFGHIJKL.....
Q	702	87-A30-033-080	C-FET,2SK2035	ABCDEFGHIJKL.....
Q	731	87-026-645-080	C-TR,DTC144EE	ABCDEFGHIJKL.....
Q	730	87-026-647-080	C-TR,DTA123JE	ABCDEFGHIJKL.....
Q	770	87-026-528-080	C-TR,RN1905	..CDEFGHIJKL.....

ELECTRICAL MAIN PARTS LIST - 3/3

S	730	87-A90-703-080	C-SW,SL 1-1-3 SSSS813-B-2B	ABCDEFGHIJKL.....
BAT	300	87-B30-197-010	BAT,ML614	ABCDEFGHIJKL.....
C	316	87-012-169-080	C-CAP,U 7P-50 CH	..CDEFGHIJKL.....
C	316	87-012-172-080	CAPACITOR CHIP U 10P CH	AB.....
C	314	87-012-186-080	C-CAP,U 39P-50 CH	ABCDEFGHIJKL.....
C	315	87-012-286-080	CAP, U 0.01-25	ABCDEFGHIJKL.....
C	317	87-A11-049-080	C-CAP,U 1-6.3 K B	ABCDEFGHIJKL.....
C	355	87-012-195-080	C-CAP,U 100P-50CH	ABCDEFGHI.....
C	354	87-012-196-080	C-CAP,U 120P-50 CH	ABCDEFGHI.....
C	353	87-A10-260-080	C-CAP,U 0.1-16 K B	ABCDEFGHIJKL.....
CN	400	87-A60-471-080	C-CONN,8P H SFV2ST	ABCDEFGHIJKL.....
CN	500	87-A60-542-080	C-CONN,10P H SFV2ST	ABCDEFGHIJKL.....
CN	600	87-A60-762-080	C-CONN,6P H SFV1ST	ABCDEFGHI.....
D	300	87-017-636-080	C-DIODE,RB731U	ABCDEFGHIJKL.....
D	303	87-A40-556-080	C-LED,CL-270HR RED	ABCDEFGHIJKL.....
D	350	87-A40-562-040	C-DIODE,HSU83TRF	ABCDEFGHI.....
IC	302	87-A21-030-040	C-IC,S-93C46AMFN	ABCDEFGHIJKL.....
IC	304	87-A21-094-040	C-IC,HMMD4425M-L3S	ABCDEFGHI.....
IC	303	87-A21-100-040	C-IC,S-3531A	ABCDEFGHIJKL.....
IC	300	8Z-HM1-609-010	C-IC,CXP81952	ABCD.....
IC	300	8Z-HM1-609-110	C-IC,CXP81952EFGHIJKL.....
L	300	87-A50-355-080	C-COIL,330UH LQH3C	ABCDEFGHI.....
Q	303	87-026-536-080	C-TR,RN4910	ABCDEFGHIJKL.....
Q	304	87-026-644-080	C-TR,DTA144EE	ABCDEFGHIJKL.....
Q	302	87-026-644-080	C-TR,DTA144EE	ABCDEFGHIJKL.....
Q	305	87-026-654-080	C-TR,DTC114TE	ABCDEFGHIJKL.....
Q	301	87-A30-033-080	C-FET,2SK2035	ABCDEFGHIJKL.....
R	304	87-022-239-080	C-RES U 10K-1/16WF	ABCDEFGHIJKL.....
S	301	87-A90-330-080	C-SW,SL 1-1-2 SSSS81	ABCDEFGHIJKL.....
S	300	87-A90-330-080	C-SW,SL 1-1-2 SSSS81	ABCDEFGHIJKL.....
S	304	87-A90-953-080	C-SW,PUSH MPU10992MLB1	ABCDEFGHIJKL.....
X	300	87-030-358-080	C-VIB,XTAL 32.768KHZ	ABCDEFGHIJKL.....
X	301	87-A70-100-080	C-VIB,CER 12.0MHZ PBRC-BR-AEFGHIJKL.....
X	301	87-A70-159-080	C-VIB,CER 12.0MHZ CSTCV	ABCD.....
C	606	87-012-274-080	CHIP CAP,U 1000P-50B	ABCDEFGHIJKL.....
C	604	87-012-274-080	CHIP CAP,U 1000P-50B	ABCDEFGHIJKL.....
C	607	87-012-286-080	CAP, U 0.01-25	ABCDEFGHIJKL.....
C	605	87-A10-260-080	C-CAP,U 0.1-16 K B	ABCDEFGHIJKL.....
C	601	87-A11-045-080	C-CAP,TN 47U-10 M F95 B	ABCDEFGHIJKL.....
C	600	87-A11-067-080	C-CAP,S 1-10 K B	ABCDEFGHIJKL.....
C	611	87-A11-050-080	C-CAP,TN 47U-4 M F95 A	ABCDEFGHIJKL.....
C	620	87-A10-260-080	C-CAP,U 0.1-16 K B	ABCDEFGHIJKL.....
C	622	87-A10-260-080	C-CAP,U 0.1-16 K B	ABCDEFGHIJKL.....
D	602	87-017-850-080	C-DIODE,DAP222	ABCDEFGHIJKL.....
D	603	87-017-850-080	C-DIODE,DAP222	ABCDEFGHIJKL.....
D	601	87-017-852-080	C-DIODE,HRW0502A	ABCDEFGHIJKL.....
F	601	87-A90-745-080	C-FUSE,750MA 13.2V MINISMDC075	ABCDEFGHIJKL.....
F	600	87-A90-745-080	C-FUSE,750MA 13.2V MINISMDC075	ABCDEFGHIJKL.....
IC	604	87-A20-674-040	C-IC,S-80825ANNP-EDN	ABCDEFGHIJKL.....
IC	602	87-A21-032-080	C-IC,S-8520B28MC	ABCDEFGHIJKL.....
IC	603	87-A21-035-040	C-IC,R1110N281B-TR	ABCDEFGHIJKL.....
IC	600	87-A21-038-040	C-IC,NJU7014R-TE2	ABCDEFGHIJKL.....
IC	601	87-A21-081-040	C-IC,NJM2130F	ABCDEFGHIJKL.....
IC	605	87-A21-102-040	C-IC,S-80828ANNP-EDR-T2	ABCDEFGHIJKL.....
J	600	87-A60-544-010	JACK,DC 4.0 Y 6.3	ABCDEFGHIJKL.....
L	602	87-A50-271-080	C-COIL,ACM4532-801-2P	ABCDEFGHIJKL.....
L	600	87-A50-290-080	C-COIL,56UHC5-Q3L	ABCDEFGHIJKL.....
Q	601	87-026-644-080	C-TR,DTA144EE	ABCDEFGHIJKL.....
Q	605	87-026-645-080	C-TR,DTC144EE	ABCDEFGHIJKL.....
Q	602	87-A30-147-080	C-TR,2SA1832GR	ABCDEFGHIJKL.....
Q	608	87-A30-148-080	C-TR,2SC4738GR	ABCDEFGHIJKL.....
Q	603	87-A30-181-040	C-TR,DTA114TEA	ABCDEFGHIJKL.....
Q	600	87-A30-187-080	C-FET,MTDF1N02HD	ABCDEFGHIJKL.....
Q	604	87-A30-236-040	C-FET,MTDF1P02HD	ABCDEFGHIJKL.....
R	601	87-022-287-080	C-RES,U 120K-1/16W F	ABCDEFGHIJKL.....
R	609	87-022-288-080	C-RES,U 150K-1/16WF	ABCDEFGHIJKL.....
R	600	87-022-288-080	C-RES,U 150K-1/16WF	ABCDEFGHIJKL.....
R	610	87-022-284-080	C-RES,U 68K 1-16W F	ABCDEFGHIJKL.....
S	600	87-A90-232-080	C-SW,TACT SKQRAA	ABCDEFGHIJKL.....
CN	50	87-A60-542-080	C-CONN,10P H SFV2ST	ABCDEFGHIJKL.....
S	51	87-A91-006-080	C-SW,PUSH MPU11120MLB1	ABCDEFGHIJKL.....
S	50	87-A91-006-080	C-SW,PUSH MPU11120MLB1	ABCDEFGHIJKL.....
S	52	87-A91-008-080	C-SW,PUSH 2-1-1 SPVE4.1	ABCDEFGHIJKL.....
S	53	87-A91-009-080	C-SW,PUSH 2-1-1 SPVE5.2	ABCDEFGHIJKL.....

MECHANICAL PARTS LIST - 1/1

NOTE: The characters in the suffix column indicate the part usage.

[N] 70AK	XX	G
[G] 70AEZ	XX	H
[N] 70AEZ	XX	I
[S] 65AK	XX	J
[S] 65AEZ	XX	K
[L] 65AEZ	XX	L

REF.NO	PARTS NO.	KANRI NO.	DESCRIPTION	SUFFIX
	8Z-HM1-001-010		PANEL ASSY, TOP	A.....G.I.....
	8Z-HM1-004-010	1E	FRAME, CENTER	A.....
	8Z-HM1-004-110		FRAME, CENTER
	8Z-HM1-006-010		LID, BATT	A.....G.I.....
	8Z-HM1-017-010		PANEL ASSY, TOP S	.B.DEF.....
	8Z-HM1-020-010	1E	FRAME, CENTER B	.BCD.....
	8Z-HM1-020-110		FRAME, CENTER BEF.....
	8Z-HM1-021-010		LID, BATT S	.B.DEF.....JK.....
	8Z-HM1-024-010		PANEL ASSY, TOP GH.....
	8Z-HM1-027-010		LID, BATT GH.....
	8Z-HM1-032-010		PANEL ASSY, TOP LL.....
	8Z-HM1-035-010		LID, BATT LL.....
	8Z-HM1-046-010		PANEL ASSY, TOP ST	..C.....
	8Z-HM1-049-010		LID, BATT ST	..C.....
	8Z-HM1-052-010		PANEL ASSY, TOP SLJK.....
	8Z-HM1-055-010		FRAME, CENTER E SGHI..L.....
	8Z-HM1-056-010		FRAME, CENTER E BJK.....
	8Z-HM1-008-010		KEY, CONT MAIN	ABCDEFGHI.....
	8Z-HM1-009-010	1B	KEY, CONT SUB	ABCD.....
	8Z-HM1-009-110		KEY, CONT SUBEFGHIJKL.....
	8Z-HM1-010-010	1B	KEY, VOL	ABCD.....
	8Z-HM1-010-110		KEY, VOLEFGHIJKL.....
	8Z-HM1-011-010		KNOB, RTRY JOG	ABCDEFGHIJKL.....
	8Z-HM1-054-010		KEY, CONT MAIN LOJKL.....
	8Z-HM1-005-010		WINDOW, DISP	ABCDEFGHI.....
	8Z-HM1-031-010		WINDOW, DISP LOJKL.....
	8Z-HM1-003-010		PANEL, BOT	A.....
	8Z-HM1-026-010		PANEL, BOT EM GH.....
	8Z-HM1-030-010		PANEL, BOT EL SJK.....
	8Z-HM1-034-010		PANEL, BOT EL LL.....
	8Z-HM1-038-010		PANEL, BOT HC S	.B.E.....
	8Z-HM1-042-010		PANEL, BOT UM S	..D.....
	8Z-HM1-044-010		PANEL, BOT EM NG.I.....
	8Z-HM1-048-010		PANEL, BOT ST	..C.....
	8Z-HM1-057-010		PANEL, BOT HKM SF.....
	8Z-HM1-012-010		KNOB, SL EJECT	ABCDEFGHIJKL.....
	8Z-HM1-013-010		KNOB, SL REC	ABCDEFGHIJKL.....
	8Z-HM1-014-010		KNOB, LEVER REC	ABCDEFGHIJKL.....
	8Z-HM1-022-010		KNOB, SL HOLD H	AB.DEFG.IJK.....
	8Z-HM1-023-010		KNOB, SL SEL H	AB.DEFG.IJK.....
	8Z-HM1-028-010		KNOB, SL HOLD GH.....
	8Z-HM1-029-010		KNOB, SL SEL GH.....
	8Z-HM1-036-010		KNOB, SL HOLD LL.....
	8Z-HM1-037-010		KNOB, SL SEL LL.....
	8Z-HM1-050-010		KNOB, SL HOLD H(D)	..C.....
	8Z-HM1-051-010		KNOB, SL SEL H(D)	..C.....
	8Z-HM1-007-010		LENS, REC	ABCDEFGHIJKL.....
	87-078-053-010	0E	PW 2.5-0.7-0.25 SLT	ABCD.....
	8Z-HM1-201-010		BOX ASSY, BATT	ABCDEFGHIJKL.....
	8Z-HM1-204-010	1D	FRAME ASSY, FR	AB.....
	8Z-HM1-204-110		FRAME ASSY, FR	..CDEFGHIJKL.....
	8Z-HM1-208-010	1E	FRAME ASSY, R	ABCD.....
	8Z-HM1-208-110		FRAME ASSY, REFGHIJKL.....
	8Z-HM1-212-010		FRAME, L	ABCDEFGHIJKL.....
	8Z-HM1-213-010	1D	HLDR ASSY, TOP	ABCD.....
	8Z-HM1-213-110		HLDR ASSY, TOPEFGHIJKL.....
	8Z-HM1-218-010		HINGE, BATT	ABCDEFGHIJKL.....
	8Z-HM1-220-010		BAT-CONTACT, +	ABCDEFGHIJKL.....
	8Z-HM1-222-010		BAT-CONTACT, -	ABCDEFGHIJKL.....
	8Z-HM1-225-010		SHAFT, HINGE BATT	ABCDEFGHIJKL.....
	8Z-HM1-226-010		SPR-C, EJECT	ABCDEFGHIJKL.....
	8Z-HM1-227-010		SPR-C, LOCK	ABCDEFGHIJKL.....
	8Z-HM1-229-010	0E	SPR-T, LEVER SW	ABCD.....
	8Z-HM1-229-110		SPR-T, LEVER SWEFGHIJKL.....
	8Z-HM1-234-010		DMPR, G MECHA	ABCDEFGHIJKL.....
	8Z-HM1-248-010		W-P, 0.7-2.5-0.13EFGHIJKL.....
	8Z-HM4-226-010	0E	HLDR, PWB	AB.....
	8Z-HM4-226-110		HLDR, PWB	..CDEFGHIJKL.....
	87-067-360-010	0E	SCREW+1.4-3.5(BK)	AB.....
	87-263-505-310		SCREW, V+1.4-2.5	ABCDEFGHIJKL.....
	87-353-507-310		VT2+1.4-3 CHROME	AB.DEFGHIJKL.....
	87-HM1-242-010		S-SCREW, 1.4-2.0CR	AB.DEFGHIJKL.....
	87-HM1-243-010		S-SCREW, 1.4-1.4CRNL	AB.DEFGHIJKL.....
	87-HM1-254-010		S-SCREW, 1.4-1.4CR	ABCDEFGHIJKL.....
	88-ZG2-256-010		S-SCREW, +1.4-3.5	..CDEFGHIJKL.....
	8Z-HM1-243-010		S-SCREW, 1.4-2.0 BLK	..C.....
	8Z-HM1-244-010		S-SCREW, 1.4-1.4 BLK	..C.....
	8Z-HM1-245-010		VT2+1.4-3 BLK	..C.....
	8Z-HM1-235-010		S-SCREW, DMPR	ABCDEFGHIJKL.....
	8Z-HM1-236-010		S-SCREW, +1.4-1.2 SWCH CR	ABCDEFGHIJKL.....

*
*

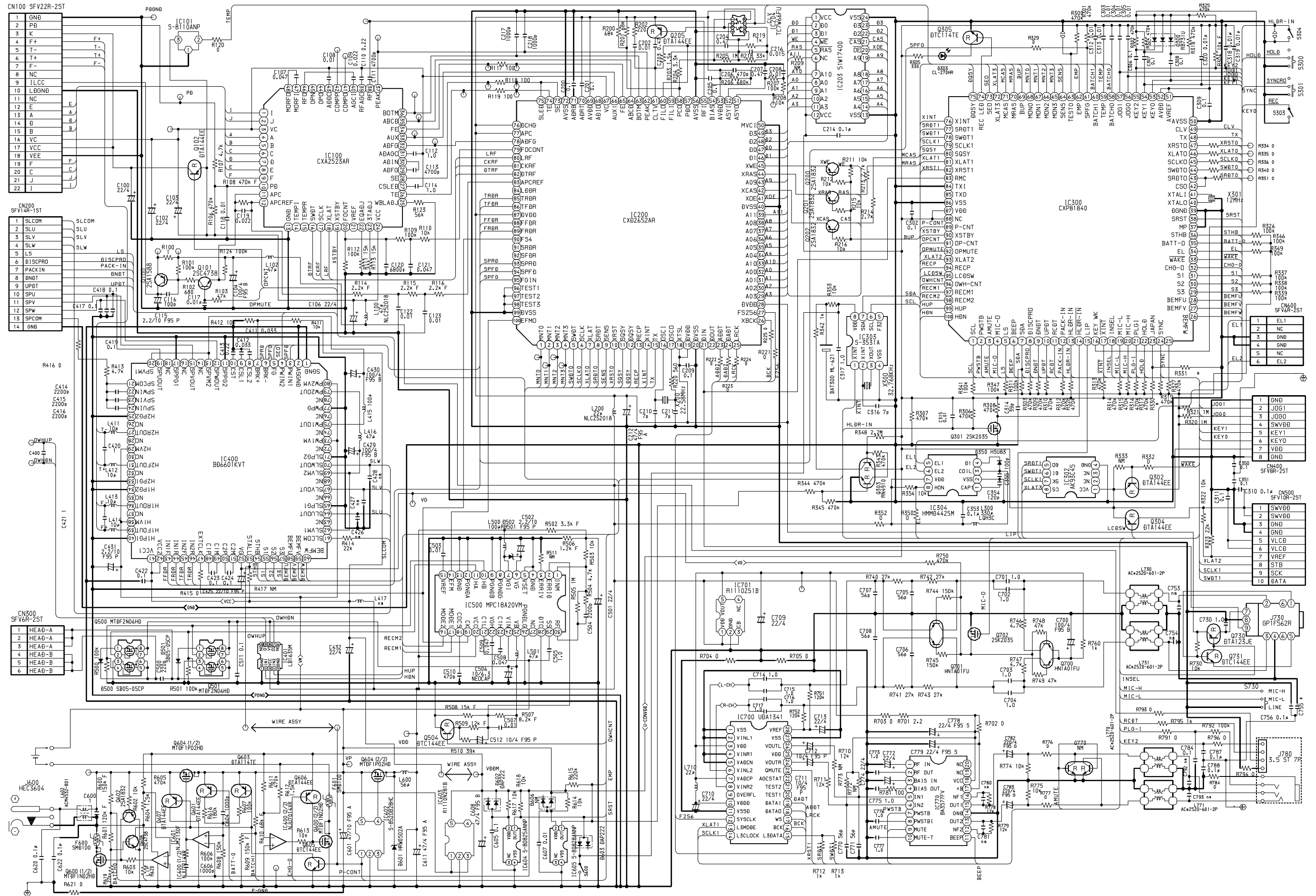
ACCESSORIES / PACKAGE LIST - 1/1

NOTE: The characters in the suffix column indicate the part usage.

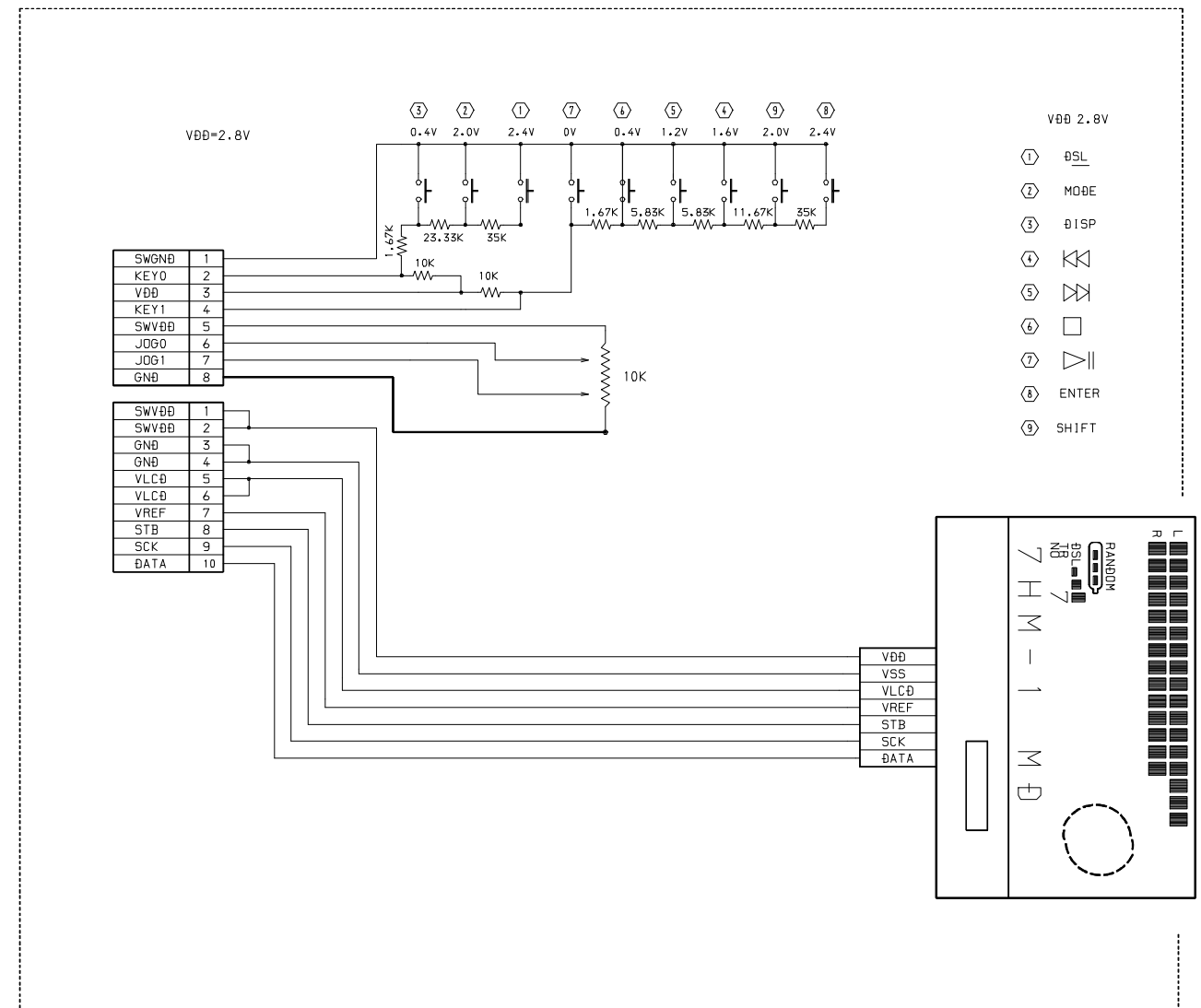
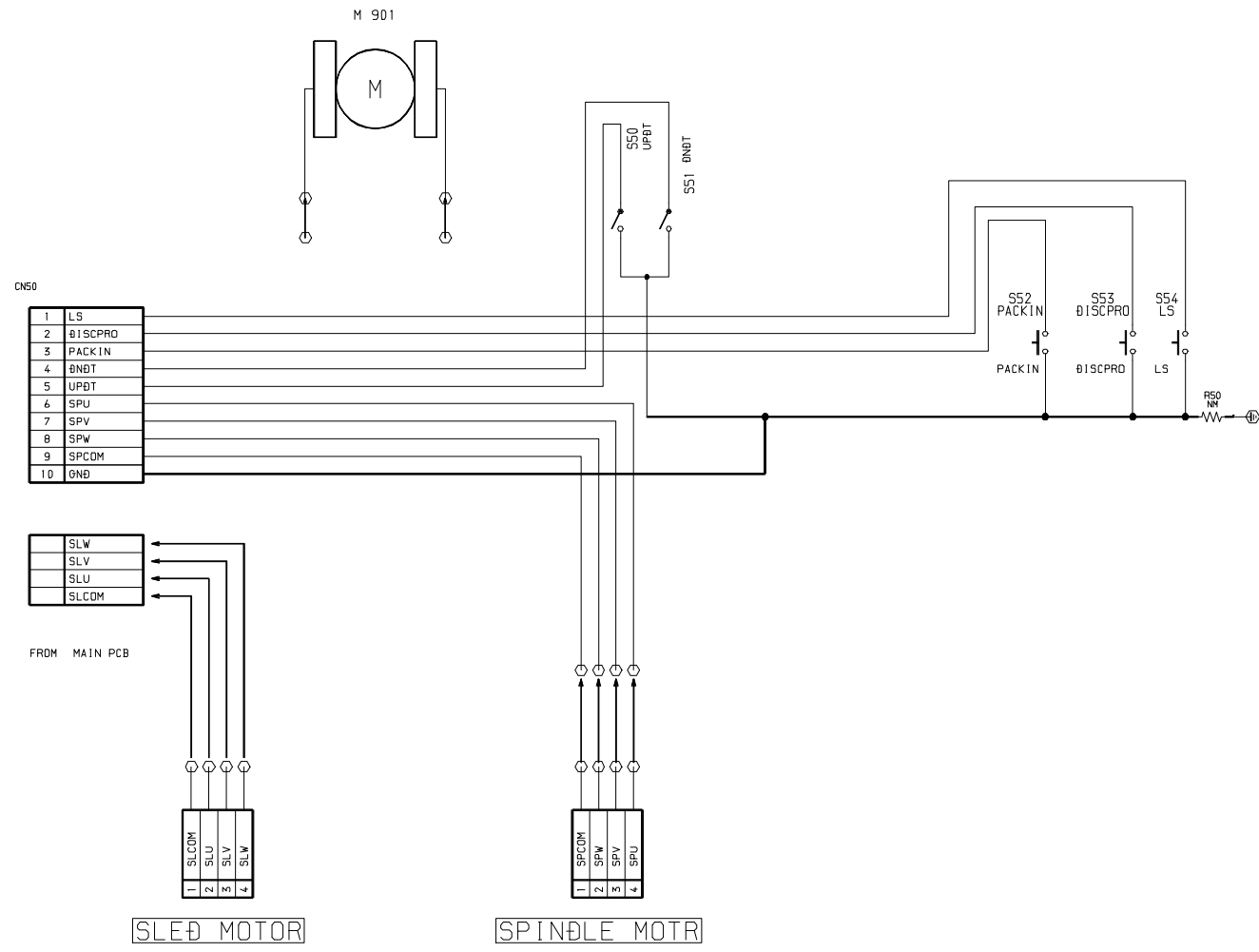
[N]70AKXXG
[G]70AEZXXH
[N]70AEZXXI
[S]65AKXXJ
[S]65AEZXXK
[L]65AEZXXL

REF.NO	PARTS NO.	KANRI NO.	DESCRIPTION	SUFFIX
	8Z-HM1-901-010		IB,D	A.C.....
	8Z-HM1-902-010	1A	CARD,CUST F70	A.....
	8Z-HM1-903-010		IB,U(3L)	...D.....
	8Z-HM1-904-010		IB,HR(ECA)	...EF.....
	8Z-HM1-905-010		IB,HC(ECK)	.B.....
	8Z-HM1-907-010		IB,EZ(EGF)GHI.....
	8Z-HM1-908-010		IB,EZ(SID)HI.....
	8Z-HM1-909-010		IB,EZ(PHNCZ)HI.....
	8Z-HM1-917-010		IB,EZ(EGF) F65JKL.....
	8Z-HM1-918-010		IB,EZ(SID) F65KL.....
	8Z-HM1-919-010		IB,EZ(PHNCZ) F65KL.....
	87-041-064-010		MIC,CM-S20 A	A.C.....
	87-A90-312-010		PLUG,CONVERSION WTN-1157R1	...E.....
	87-B30-047-010		AC ADAPTOR,AC-D401 NC	A.C.....
	87-B30-111-010		BAT,LIB-902	ABCDEFGHIJKL.....
	87-B30-122-010		HEADPHONE,HP-M023	...D.....
	87-B30-142-010		AC ADAPTOR,AC-D401U NC	...D.....
	87-B30-143-010		AC ADAPTOR,AC-D401E NCHI.KL.....
	87-B30-144-010		AC ADAPTOR,AC-D401K NC	...FG..J.....
	87-B30-159-010		AC ADAPTOR,AC-D401HR	...E.....
	87-B30-177-010		AC ADAPTOR,AC-D401HC	.B.....
	87-B30-205-010		HEADPHONE,HP-M031A	ABC.EFGHI.....
	87-B30-231-010		CABLE, OP-W2S	.B.DEFGHIJKL.....
	87-B30-248-010		HEADPHONE,HP-M038	...D.....
	87-HM1-951-210		BOX ASSY,BAT 7HM-1	ABCDEFGHI.....
	8Z-HM1-611-010		RC UNIT,RC-F65	...E.....JKL.....
	8Z-HM4-605-010		RC UNIT,RC-HX30	.B.DEF.H.....
	8Z-HM4-606-010		RC UNIT,RC-HX30 ST	...C.....
	8Z-HM4-608-010		RC UNIT,RC-HX30 N	A.....G.I.....
	8Z-HM4-951-010		STRAP,RC-HX30	A.C.....
	8Z-HM4-952-010		BAG,CARRING	ABCDEFGHI.....

SCHEMATIC DIAGRAM - 1 (MAIN 1/2)



SCHEMATIC DIAGRAM – 2 (MAIN 2/2)



サービス技術ニュース	
番号	連絡内容
G- -	
G- -	
G- -	

アイワ株式会社
AIWA CO.,LTD.

9420025

Tokyo Japan