

aiwa



AM-F75

PORTABLE MD RECORDER

• BASIC MD MECHANISM: ZZG-A R1

• TYPE: AEZ,AK

SIMPLE MANUAL

• Replace this Service Manual with "Revision Publishing" when it is issued.

S/M Code No. 09-99A-422-0T1

MANUAL
SERVICE

ELECTRICAL MAIN PARTS LIST - 1/4

NOTE: The characters in the suffix column indicate the part usage.

REF.NO	PARTS NO.	DESCRIPTION	SUFFIX
K1SXX	A
EZ1SXX	B
EZ1LXX	C
		KANRI	
		NO.	
*	8A-HM1-605-010	LCD,AHM-1 COG	ABC
*	8A-HM1-606-010	PWB,FLEX TACT	ABC
*	8A-HM1-610-010	PWB,FLEX MECHA	ABC
C	109 87-010-787-080	CAP, U 0.022-25	ABC
C	106 87-016-296-080	C-CAP,TN 22-4SV(A)	ABC
C	102 87-016-296-080	C-CAP,TN 22-4SV(A)	ABC
C	100 87-016-296-080	C-CAP,TN 22-4SV(A)	ABC
C	103 87-016-296-080	C-CAP,TN 22-4SV(A)	ABC
C	107 87-A10-504-080	C-CAP,U 0.047-16 K B	ABC
C	108 87-A10-561-080	C-CAP,V 0.01U-16 K B	ABC
C	104 87-A11-046-080	C-CAP,TN 100U-4 M F95 B	ABC
C	119 87-010-787-080	CAP, U 0.022-25	ABC
C	116 87-012-195-080	C-CAP,U 100P-50CH	ABC
C	111 87-012-282-080	CAP, U 4700P-50	ABC
C	113 87-012-282-080	CAP, U 4700P-50	ABC
C	115 87-016-448-080	C-CAP,TN 2.2-10 F95P	ABC
C	110 87-A10-353-080	C-CAP,U0.22-10KB	ABC
C	114 87-A10-353-080	C-CAP,U0.22-10KB	ABC
C	117 87-A10-561-080	C-CAP,V 0.01U-16 K B	ABC
C	118 87-A10-561-080	C-CAP,V 0.01U-16 K B	ABC
C	112 87-A11-049-080	C-CAP,U 1-6.3 K B	ABC
C	120 87-012-284-080	CAP, U 6800P-50	ABC
C	121 87-A10-504-080	C-CAP,U 0.047-16 K B	ABC
C	122 87-A10-561-080	C-CAP,V 0.01U-16 K B	ABC
C	123 87-A10-561-080	C-CAP,V 0.01U-16 K B	ABC
C	130 87-016-296-080	C-CAP,TN 22-4SV(A)	ABC
CN	100 87-A61-141-080	C-CONN,22P H 54550-2290	ABC
IC	100 87-A20-707-010	C-IC,CXA2523AR	ABC
IC	101 87-A20-710-040	C-IC,S-8110AMP	ABC
L	100 87-A50-360-080	C-COIL, 47UH K NLFC252018	ABC
L	102 87-A50-360-080	C-COIL, 47UH K NLFC252018	ABC
L	130 87-A50-360-080	C-COIL, 47UH K NLFC252018	ABC
Q	102 87-026-644-080	C-TR,DTA144EE	ABC
Q	101 87-A30-148-080	C-TR,2SC4738GR	ABC
Q	100 89-115-884-080	CHIP -TRANSISTER 2SA1588Y	ABC
R	108 87-022-294-080	C-RES,U 470K 1-16W F	ABC
R	114 87-022-223-080	CHIP RES 2.2K 1/16W F	ABC
R	116 87-022-223-080	CHIP RES 2.2K 1/16W F	ABC
R	115 87-022-223-080	CHIP RES 2.2K 1/16W F	ABC
C	206 87-012-270-080	CAP, U 470P-50	ABC
C	208 87-A10-561-080	C-CAP,V 0.01U-16 K B	ABC
C	202 87-A10-561-080	C-CAP,V 0.01U-16 K B	ABC
C	205 87-A10-770-080	C-CAP,V 0.1-10 K B	ABC
C	209 87-A10-770-080	C-CAP,V 0.1-10 K B	ABC
C	207 87-A10-827-080	C-CAP,U 0.47-6.3 K B	ABC
C	204 87-A10-827-080	C-CAP,U 0.47-6.3 K B	ABC
C	203 87-A11-049-080	C-CAP,U 1-6.3 K B	ABC
C	210 87-012-169-080	C-CAP,U 7P-50 CH	ABC
C	211 87-012-169-080	C-CAP,U 7P-50 CH	ABC
C	217 87-012-274-080	CHIP CAP,U 1000P-50B	ABC
C	218 87-012-274-080	CHIP CAP,U 1000P-50B	ABC
C	215 87-A10-770-080	C-CAP,V 0.1-10 K B	ABC
C	214 87-A10-770-080	C-CAP,V 0.1-10 K B	ABC
C	212 87-A11-050-080	C-CAP,TN 47U-4 M F95 A	ABC
C	216 87-A11-070-080	C-CAP,U 0.033-16 K B	ABC
C	220 87-016-296-080	C-CAP,TN 22-4SV(A)	ABC
C	221 87-016-296-080	C-CAP,TN 22-4SV(A)	ABC
C	222 87-A10-770-080	C-CAP,V 0.1-10 K B	ABC
IC	204 87-A21-027-040	C-IC,TC7W66FU	ABC
IC	201 87-A21-036-040	C-IC,R1110N251B-TR	ABC
IC	200 87-A21-349-010	C-IC,CXD2660GA	ABC
IC	202 87-A21-461-040	C-IC,RQ5RW18BHA04	ABC
L	200 87-A50-359-080	C-COIL, 22UH K NLFC252018	ABC
Q	205 87-026-644-080	C-TR,DTA144EE	ABC
X	200 87-A70-238-080	C-VIB,XTAL 22.5792MHZ SX-5B	ABC
C	404 87-016-448-080	C-CAP,TN 2.2-10 F95P	ABC
C	400 87-016-448-080	C-CAP,TN 2.2-10 F95P	ABC
C	405 87-016-448-080	C-CAP,TN 2.2-10 F95P	ABC
C	407 87-A11-049-080	C-CAP,U 1-6.3 K B	ABC
C	401 87-A11-049-080	C-CAP,U 1-6.3 K B	ABC
C	402 87-A11-049-080	C-CAP,U 1-6.3 K B	ABC
C	406 87-A11-049-080	C-CAP,U 1-6.3 K B	ABC
C	453 87-010-787-080	CAP, U 0.022-25	ABC
C	454 87-010-787-080	CAP, U 0.022-25	ABC
C	456 87-016-449-080	C-CAP,TN 10-4 F95 P	ABC
C	451 87-A10-057-080	C-CAP,TN 100-4 F95 E	ABC
C	455 87-A10-504-080	C-CAP,U 0.047-16 K B	ABC
C	457 87-A10-770-080	C-CAP,V 0.1-10 K B	ABC
C	462 87-012-274-080	CHIP CAP,U 1000P-50B	ABC
C	464 87-012-274-080	CHIP CAP,U 1000P-50B	ABC
C	463 87-012-274-080	CHIP CAP,U 1000P-50B	ABC
C	461 87-012-280-080	CAP, U 3300P-50	ABC
C	460 87-A10-770-080	C-CAP,V 0.1-10 K B	ABC
CN	200 87-A61-140-080	C-CONN,10P H 54548-1090	ABC

ELECTRICAL MAIN PARTS LIST - 2/4

D	400	87-A40-124-080	C-DIODE, RB501V-40	ABC.....
D	450	87-017-852-080	C-DIODE, HRW0502A	ABC.....
IC	400	87-A20-720-040	C-IC, MPC17A39	ABC.....
IC	451	87-017-857-080	IC, TC7S04FU	ABC.....
IC	450	87-A20-813-040	C-IC, CXA8048N	ABC.....
L	404	87-A50-013-080	C-COIL, 560UH LQH3C	ABC.....
L	403	87-A50-358-080	C-COIL, 10UH K NLFC252018	ABC.....
L	402	87-A50-358-080	C-COIL, 10UH K NLFC252018	ABC.....
L	400	87-A50-358-080	C-COIL, 10UH K NLFC252018	ABC.....
L	401	87-A50-358-080	C-COIL, 10UH K NLFC252018	ABC.....
L	405	87-A50-361-080	C-COIL, 100UH K NLFC252018	ABC.....
L	450	87-A50-355-080	C-COIL, 330UH LQH3C	ABC.....
Q	451	87-026-521-080	CHIP TR HN1COLF U(GR)	ABC.....
Q	450	89-113-625-080	TR, 2SA1362GR(120MHZ, 0.	ABC.....
C	500	87-012-266-080	C-CAP, U 220P-50 B	ABC.....
C	504	87-012-278-080	C-CAP, U 2200P-50 B	ABC.....
C	501	87-016-296-080	C-CAP, TN 22-4SV(A)	ABC.....
C	502	87-016-448-080	C-CAP, TN 2.2-10 F95P	ABC.....
C	506	87-016-564-080	C-CAP, 10-6.3 PSN	ABC.....
C	509	87-A10-504-080	C-CAP, U 0.047-16 K B	ABC.....
C	508	87-A10-504-080	C-CAP, U 0.047-16 K B	ABC.....
C	507	87-A10-561-080	C-CAP, V 0.01U-16 K B	ABC.....
C	503	87-A10-561-080	C-CAP, V 0.01U-16 K B	ABC.....
C	505	87-A11-049-080	C-CAP, U 1-6.3 K B	ABC.....
C	510	87-012-270-080	CAP, U 470P-50	ABC.....
C	513	87-016-449-080	C-CAP, TN 10-4 F95 P	ABC.....
C	512	87-016-449-080	C-CAP, TN 10-4 F95 P	ABC.....
C	511	87-A10-770-080	C-CAP, V 0.1-10 K B	ABC.....
CN	300	87-A61-136-080	C-CONN, 6P H 54550-0690	ABC.....
D	502	87-A40-124-080	C-DIODE, RB501V-40	ABC.....
D	501	87-A40-412-040	C-DIODE, SB05-05CP	ABC.....
D	500	87-A40-412-040	C-DIODE, SB05-05CP	ABC.....
IC	500	87-A20-719-040	C-IC, MPC18A20VM	ABC.....
L	501	87-A50-011-080	C-COIL, 47UH LQH3C	ABC.....
L	500	87-A50-361-080	C-COIL, 100UH K NLFC252018	ABC.....
Q	504	87-026-645-080	C-TR, DTC144EE	ABC.....
Q	501	87-A30-150-080	C-FET, XTDF2N06HD	ABC.....
Q	500	87-A30-150-080	C-FET, XTDF2N06HD	ABC.....
R	506	87-022-217-080	C-RES, U 1.2K-1/16W F	ABC.....
R	502	87-022-227-080	C-RES, U 3.3K-1/16W F	ABC.....
R	507	87-022-237-080	C-RES, U 8.2K-1/16W F	ABC.....
R	508	87-022-243-080	CHIP RES, U 15K-1/16W F	ABC.....
R	509	87-022-255-080	C-RES, U 47K-1/16W F	ABC.....
C	706	87-012-337-080	C-CAP, U 56P-50 CH	ABC.....
C	708	87-012-337-080	C-CAP, U 56P-50 CH	ABC.....
C	707	87-012-337-080	C-CAP, U 56P-50 CH	ABC.....
C	705	87-012-337-080	C-CAP, U 56P-50 CH	ABC.....
C	709	87-016-296-080	C-CAP, TN 22-4SV(A)	ABC.....
C	700	87-A11-046-080	C-CAP, TN 100U-4 M F95 B	ABC.....
C	701	87-A11-049-080	C-CAP, U 1-6.3 K B	ABC.....
C	704	87-A11-049-080	C-CAP, U 1-6.3 K B	ABC.....
C	702	87-A11-049-080	C-CAP, U 1-6.3 K B	ABC.....
C	703	87-A11-049-080	C-CAP, U 1-6.3 K B	ABC.....
C	710	87-016-296-080	C-CAP, TN 22-4SV(A)	ABC.....
C	713	87-016-296-080	C-CAP, TN 22-4SV(A)	ABC.....
C	711	87-016-449-080	C-CAP, TN 10-4 F95 P	ABC.....
C	712	87-016-449-080	C-CAP, TN 10-4 F95 P	ABC.....
C	717	87-A11-049-080	C-CAP, U 1-6.3 K B	ABC.....
C	714	87-A11-049-080	C-CAP, U 1-6.3 K B	ABC.....
C	716	87-A11-049-080	C-CAP, U 1-6.3 K B	ABC.....
C	715	87-A11-049-080	C-CAP, U 1-6.3 K B	ABC.....
C	730	87-A11-049-080	C-CAP, U 1-6.3 K B	ABC.....
C	753	87-012-274-080	CHIP CAP, U 1000P-50B	ABC.....
C	754	87-012-274-080	CHIP CAP, U 1000P-50B	ABC.....
C	755	87-A10-770-080	C-CAP, V 0.1-10 K B	ABC.....
C	756	87-A10-770-080	C-CAP, V 0.1-10 K B	ABC.....
C	771	87-012-337-080	C-CAP, U 56P-50 CH	ABC.....
C	770	87-012-337-080	C-CAP, U 56P-50 CH	ABC.....
C	774	87-016-296-080	C-CAP, TN 22-4SV(A)	ABC.....
C	772	87-016-296-080	C-CAP, TN 22-4SV(A)	ABC.....
C	779	87-A10-048-080	C-CAP, TN 22-4 F95 S	ABC.....
C	778	87-A10-048-080	C-CAP, TN 22-4 F95 S	ABC.....
C	776	87-A11-049-080	C-CAP, U 1-6.3 K B	ABC.....
C	777	87-A11-049-080	C-CAP, U 1-6.3 K B	ABC.....
C	775	87-A11-049-080	C-CAP, U 1-6.3 K B	ABC.....
C	773	87-A11-049-080	C-CAP, U 1-6.3 K B	ABC.....
C	783	87-016-446-080	C-CAP, TN 220-4 F95 G	ABC.....
C	782	87-016-446-080	C-CAP, TN 220-4 F95 G	ABC.....
C	785	87-A10-048-080	C-CAP, TN 22-4 F95 S	ABC.....
C	788	87-A10-770-080	C-CAP, V 0.1-10 K B	ABC.....
C	787	87-A10-770-080	C-CAP, V 0.1-10 K B	ABC.....
C	784	87-A10-770-080	C-CAP, V 0.1-10 K B	ABC.....
IC	700	87-A21-034-040	C-IC, UDA1341TS	ABC.....
IC	701	87-A21-036-040	C-IC, R1110N251B-TR	ABC.....
IC	770	87-A21-029-040	C-IC, BA3577FV	ABC.....
J	730	87-A61-070-010	JACK, JFJ7001	ABC.....
J	780	87-A60-682-010	JACK, 3.5 ST 7P	ABC.....
L	710	87-003-245-080	C-COIL, 22UH	ABC.....
L	730	87-A50-362-080	C-COIL, ACM2520-601-2P	ABC.....
L	731	87-A50-362-080	C-COIL, ACM2520-601-2P	ABC.....
L	770	87-A50-362-080	C-COIL, ACM2520-601-2P	ABC.....
L	771	87-A50-362-080	C-COIL, ACM2520-601-2P	ABC.....

ELECTRICAL MAIN PARTS LIST - 3/4

Q	700	87-026-527-080	C-TR,HN1A01FU(G)	ABC.....
Q	701	87-026-527-080	C-TR,HN1A01FU(G)	ABC.....
Q	702	87-A30-033-080	C-FET,2SK2035	ABC.....
Q	731	87-026-645-080	C-TR,DTC144EE	ABC.....
Q	730	87-026-647-080	C-TR,DTA123JE	ABC.....
Q	770	87-026-528-080	C-TR,RN1905	ABC.....
R	777	88-104-569-080	C-RES,V 5.6-1/16W J	ABC.....
R	776	88-104-569-080	C-RES,V 5.6-1/16W J	ABC.....
S	730	87-A90-703-080	C-SW,SL 1-1-3 SSSS813-B-2B	ABC.....
BAT	300	87-B30-197-010	BAT,ML614	ABC.....
C	303	87-A10-561-080	C-CAP,V 0.01U-16 K B	ABC.....
C	305	87-A10-561-080	C-CAP,V 0.01U-16 K B	ABC.....
C	304	87-A10-561-080	C-CAP,V 0.01U-16 K B	ABC.....
C	308	87-A10-770-080	C-CAP,V 0.1-10 K B	ABC.....
C	309	87-A10-770-080	C-CAP,V 0.1-10 K B	ABC.....
C	306	87-A10-770-080	C-CAP,V 0.1-10 K B	ABC.....
C	302	87-A10-770-080	C-CAP,V 0.1-10 K B	ABC.....
C	307	87-A10-770-080	C-CAP,V 0.1-10 K B	ABC.....
C	316	87-012-169-080	C-CAP,U 7P-50 CH	ABC.....
C	314	87-012-186-080	C-CAP,U 39P-50 CH	ABC.....
C	315	87-A10-561-080	C-CAP,V 0.01U-16 K B	ABC.....
C	312	87-A10-561-080	C-CAP,V 0.01U-16 K B	ABC.....
C	318	87-A10-561-080	C-CAP,V 0.01U-16 K B	ABC.....
C	313	87-A10-561-080	C-CAP,V 0.01U-16 K B	ABC.....
C	319	87-A10-561-080	C-CAP,V 0.01U-16 K B	ABC.....
C	310	87-A10-770-080	C-CAP,V 0.1-10 K B	ABC.....
C	311	87-A10-770-080	C-CAP,V 0.1-10 K B	ABC.....
C	317	87-A11-049-080	C-CAP,U 1-6.3 K B	ABC.....
C	321	87-012-274-080	CHIP CAP,U 1000P-50B	ABC.....
C	320	87-A10-561-080	C-CAP,V 0.01U-16 K B	ABC.....
C	350	87-A10-770-080	C-CAP,V 0.1-10 K B	ABC.....
C	351	87-A10-770-080	C-CAP,V 0.1-10 K B	ABC.....
CN	400	87-A61-138-080	C-CONN,9P H 54550-0990	ABC.....
CN	500	87-A61-139-080	C-CONN,10P H 54550-1090	ABC.....
D	300	87-017-636-080	C-DIODE,RB731U	ABC.....
IC	302	87-A21-030-040	C-IC,S-93C46AMFN	ABC.....
IC	303	87-A21-100-040	C-IC,S-3531A	ABC.....
IC	300	8A-HM1-609-010	C-IC,CXP81952M	ABC.....
Q	303	87-026-536-080	C-TR,RN4910	ABC.....
Q	302	87-026-644-080	C-TR,DTA144EE	ABC.....
Q	304	87-026-644-080	C-TR,DTA144EE	ABC.....
Q	305	87-026-654-080	C-TR,DTC114TE	ABC.....
Q	301	87-A30-033-080	C-FET,2SK2035	ABC.....
R	304	87-022-239-080	C-RES U 10K-1/16WF	ABC.....
S	300	87-A90-330-080	C-SW,SL 1-1-2 SSSS81	ABC.....
S	301	87-A90-330-080	C-SW,SL 1-1-2 SSSS81	ABC.....
S	304	87-A91-419-080	C-SW,PUSH MPU11121MLB1	ABC.....
S	303	87-A91-419-080	C-SW,PUSH MPU11121MLB1	ABC.....
X	301	87-A70-100-080	C-VIB,CER 12.0MHZ PBRC-BR-A	ABC.....
X	300	87-A70-227-080	C-VIB,XTAL 32.768KHZ CM200S-6P	ABC.....
C	606	87-012-274-080	CHIP CAP,U 1000P-50B	ABC.....
C	604	87-012-274-080	CHIP CAP,U 1000P-50B	ABC.....
C	607	87-A10-561-080	C-CAP,V 0.01U-16 K B	ABC.....
C	605	87-A10-770-080	C-CAP,V 0.1-10 K B	ABC.....
C	601	87-A11-045-080	C-CAP,TN 47U-10 M F95 B	ABC.....
C	608	87-A11-050-080	C-CAP,TN 47U-4 M F95 A	ABC.....
C	600	87-A11-067-080	C-CAP,S 1-10 K B	ABC.....
C	611	87-A11-050-080	C-CAP,TN 47U-4 M F95 A	ABC.....
C	622	87-A10-260-080	C-CAP,U 0.1-16 K B	ABC.....
C	620	87-A10-260-080	C-CAP,U 0.1-16 K B	ABC.....
D	602	87-017-850-080	C-DIODE,DAP222	ABC.....
D	603	87-017-850-080	C-DIODE,DAP222	ABC.....
D	601	87-017-852-080	C-DIODE,HRW0502A	ABC.....
F	600	87-A90-745-080	C-FUSE,750MA 13.2V MINISMDC075	ABC.....
F	601	87-A90-745-080	C-FUSE,750MA 13.2V MINISMDC075	ABC.....
IC	604	87-A20-674-040	C-IC,S-80825ANNP-EDN	ABC.....
IC	602	87-A21-032-080	C-IC,S-8520B28MC	ABC.....
IC	603	87-A21-035-040	C-IC,R1110N281B-TR	ABC.....
IC	600	87-A21-038-040	C-IC,NJU7014R-TE2	ABC.....
IC	601	87-A21-081-040	C-IC,NJM2130F	ABC.....
IC	605	87-A21-102-040	C-IC,S-80828ANNP-EDR-T2	ABC.....
J	600	87-A60-544-010	JACK,DC 4.0 Y 6.3	ABC.....
L	602	87-A50-271-080	C-COIL,ACM4532-801-2P	ABC.....
L	600	87-A50-290-080	C-COIL,56UHC5-Q3L	ABC.....
Q	601	87-026-644-080	C-TR,DTA144EE	ABC.....
Q	606	87-026-644-080	C-TR,DTA144EE	ABC.....
Q	607	87-026-644-080	C-TR,DTA144EE	ABC.....
Q	605	87-026-645-080	C-TR,DTC144EE	ABC.....
Q	609	87-026-645-080	C-TR,DTC144EE	ABC.....
Q	602	87-A30-147-080	C-TR,2SA1832GR	ABC.....
Q	608	87-A30-148-080	C-TR,2SC4738GR	ABC.....
Q	603	87-A30-181-040	C-TR,DTA114TEA	ABC.....
Q	600	87-A30-187-080	C-FET,MTDF1N02HD	ABC.....
Q	604	87-A30-236-040	C-FET,MTDF1P02HD	ABC.....
Q	610	87-A30-262-080	C-FET,FDC634P	ABC.....
R	601	87-022-287-080	C-RES,U 120K-1/16W F	ABC.....
R	600	87-022-288-080	C-RES,U 150K-1/16WF	ABC.....
R	609	87-022-288-080	C-RES,U 150K-1/16WF	ABC.....
R	619	87-022-249-080	C-RES U27K 1/16WF	ABC.....
R	610	87-022-284-080	C-RES,U 68K 1-16W F	ABC.....
S	600	87-A90-232-080	C-SW,TACT SKQRAA	ABC.....
CN	50	87-A61-139-080	C-CONN,10P H 54550-1090	ABC.....

ELECTRICAL MAIN PARTS LIST - 4/4

S	52	87-A91-008-080	C-SW,PUSH 2-1-1 SPVE4.1	ABC.....
S	53	87-A91-009-080	C-SW,PUSH 2-1-1 SPVE5.2	ABC.....
S	50	87-A91-419-080	C-SW,PUSH MPU11121MLB1	ABC.....
S	51	87-A91-419-080	C-SW,PUSH MPU11121MLB1	ABC.....
S	54	87-A91-420-080	C-SW,PUSH MPU11120MLA1	ABC.....

MECHANICAL PARTS LIST - 1/1

NOTE: The characters in the suffix column indicate the part usage.

K1SXX.....A.....
 EZ1SXX.....B.....
 EZ1LXX.....C.....

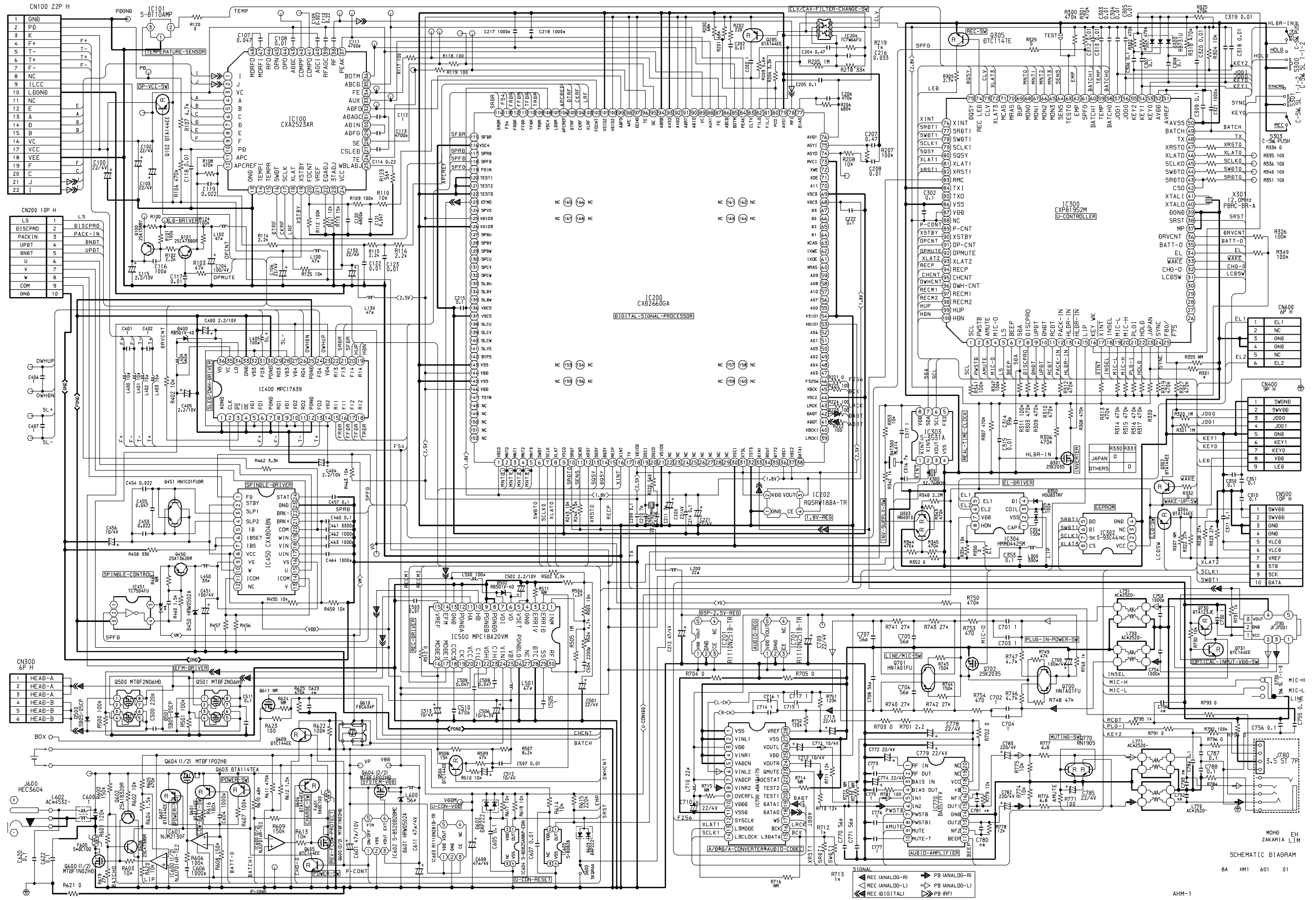
REF.NO	PARTS NO.	KANRI NO.	DESCRIPTION	SUFFIX
	8A-HM1-004-010		LID,BATT	AB.....
	8A-HM1-026-010		FRAME,CENTER EZ	ABC.....
	8A-HM2-001-010		PANEL ASSY, TOP	AB.....
	8A-HM2-011-010		PANEL ASSY, TOP L	..C.....
	8A-HM2-021-010		LID,BATT L	..C.....
	8A-HM1-007-010		KEY,CONT MAIN	ABC.....
	8A-HM1-008-010		KEY,CONT SUB	ABC.....
	8A-HM1-009-010		KEY,SEARCH	ABC.....
	8A-HM1-010-010		KNOB,RTRY JOG	ABC.....
	8A-HM1-061-010		WINDOW,DISP N	AB.....
	8A-HM2-026-010		WINDOW,DISP L	..C.....
	8A-HM1-011-010		LENS,REC	ABC.....
	8A-HM2-004-010		PANEL,BOT EZ	AB.....
	8A-HM2-005-010		PANEL,BOT EZ L	..C.....
	8A-HM1-012-010		KNOB,SL EJECT	ABC.....
	8A-HM1-013-010		KNOB,SL REC	ABC.....
	8A-HM1-014-010		KNOB,LEVER REC	ABC.....
	8A-HM1-015-010		KNOB,SL HOLD	ABC.....
	8A-HM1-016-010		KNOB,SL SEL	AB.....
	8A-HM2-031-010		KNOB,SL SEL L	..C.....
	8A-HM1-203-010		HINGE,PANEL TOP	ABC.....
	8A-HM1-206-010		FRAME ASSY,FR	ABC.....
	8A-HM1-216-010		FRAME,R	ABC.....
	8A-HM1-232-010		COVER, BATT BOX	ABC.....
	8A-HM1-233-010		BAT-CONTACT,BOX	ABC.....
	8A-HM1-234-010		HINGE,BATT	ABC.....
	8A-HM1-235-110		SHAFT,HINGE BATT	ABC.....
	8A-HM1-236-010		BAT-CONTACT,+	ABC.....
	8A-HM1-237-010		BAT-CONTACT,-	ABC.....
	8A-HM1-238-010		COVER, BATT +	ABC.....
	8A-HM1-239-010		COVER, BATT -	ABC.....
	8A-HM1-241-010		SPR-E,LOCK	ABC.....
	8A-HM1-242-010		SPR-E,REC	ABC.....
	8A-HM1-244-010		SPR-T,OPEN	ABC.....
	8A-HM1-272-010		W-L,1.7-3.6-0.05 W/ADH	ABC.....
	8Z-HM1-248-010		W-P,0.7-2.5-0.13	ABC.....
	8Z-HM4-230-010		SPR-E,EJECT	ABC.....
*	8A-HM1-226-010		HLDR ASSY, TOP	ABC.....
*	8A-HM1-229-010		HLDR,PANEL	ABC.....
*	8A-HM1-243-010		PLATE, JOG	ABC.....
*	8A-HM1-247-010		HLDR,PWB	ABC.....
	87-067-746-010		SCREW,M 1.4-2(H0.5)	ABC.....
	87-078-052-010		S-SCREW+1.4-3.5HL(B)	ABC.....
	87-HM1-242-010		S-SCREW,1.4-2.0CR	ABC.....
	87-HM1-243-010		S-SCREW,1.4-1.4CRNL	ABC.....
	87-HM1-254-010		S-SCREW,1.4-1.4CR	ABC.....
*	88-ZG2-256-010		S-SCREW,+1.4-3.5	ABC.....
*	8A-HM1-291-010		S-SCREW,1.4-1.0 CR	ABC.....
*	8A-HM3-222-010		S-SCREW,+1.4-3.0 CR	ABC.....
*	8Z-HM1-236-010		S-SCREW,+1.4-1.2 SWCH CR	ABC.....

ACCESSORIES / PACKAGE LIST - 1/1

NOTE: The characters in the suffix column indicate the part usage.

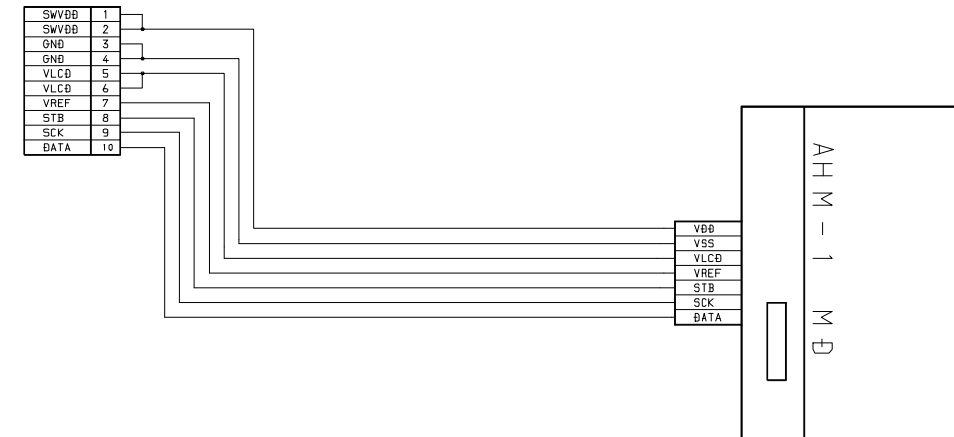
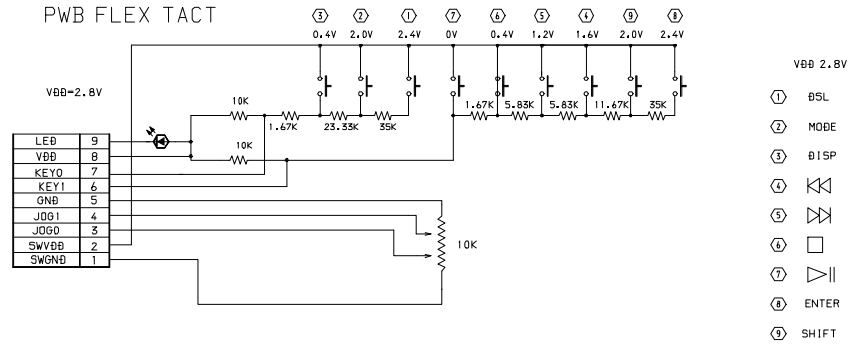
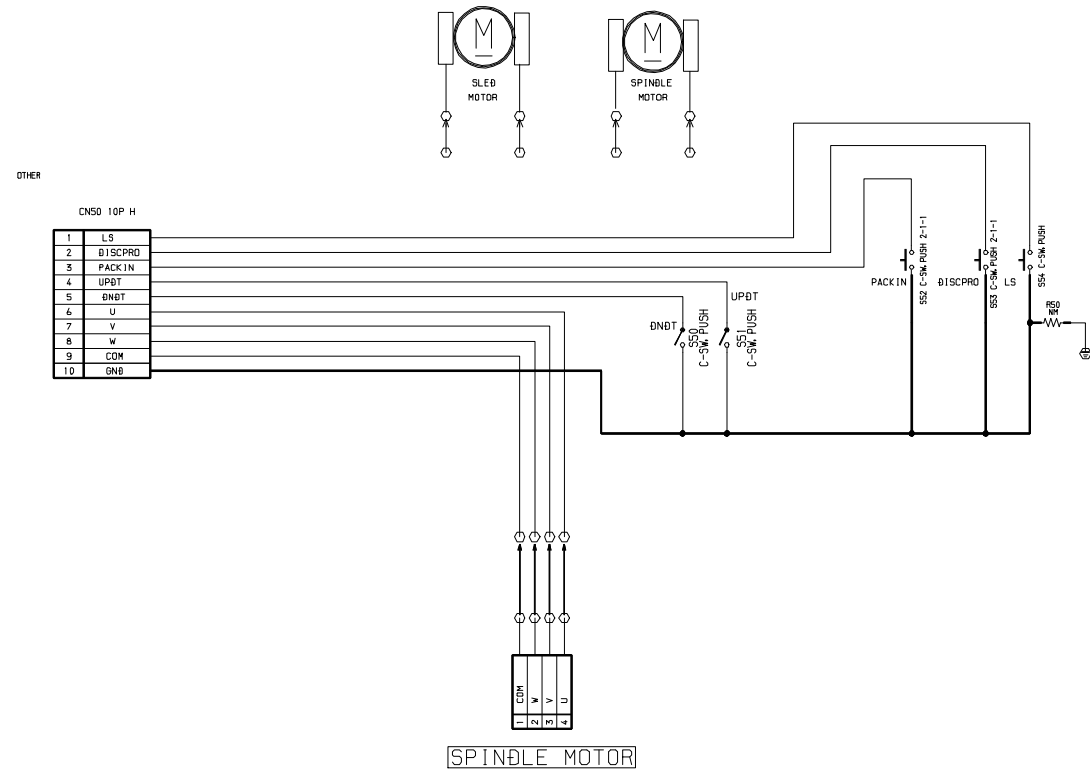
REF.NO	PARTS NO.	KANRI NO.	DESCRIPTION	SUFFIX
K1S		XX		A
EZ1S		XX		B
EZ1L		XX		C
8A-HM2-901-010			IB,EZ (EGF) I	ABC
8A-HM2-902-010			IB,EZ (SID) I	.BC
8A-HM2-903-010			IB,EZ (PHNCZ) I	.BC
87-B30-111-010			BAT,LIB-902	ABC
87-B30-122-010			HEADPHONE,HP-M023	ABC
87-B30-143-110			AC ADAPTOR,AC-D401E NC	.BC
87-B30-144-010			AC ADAPTOR,AC-D401K NC	A
87-B30-231-010			CABLE, OP-W2S	ABC
8Z-HM1-611-010			RC UNIT,RC-F65	ABC

SCHEMATIC DIAGRAM - 1 (MAIN)



SCHEMATIC DIAGRAM
8A HMI 601 01

SCHEMATIC DIAGRAM – 2 (FLEX)



サービス技術ニュース	
番号	連絡内容
G- -	
G- -	
G- -	

アイワ株式会社
AIWA CO.,LTD.

9620450

Tokyo Japan