

aiwa



AM-F80

PORTABLE MD RECORDER

- BASIC CD MECHANISM: ZZG-A R1

- TYPE: AHC,AHK,AHR,
AK,AEZ

SIMPLE MANUAL

- Replace this Service Manual with "Revision Publishing" when it is issued.

S/M Code No. 09-99A-419-2T2

MANUAL
SERVICE

ELECTRICAL MAIN PARTS LIST - 1/4

NOTE: The characters in the suffix column indicate the part usage.

HCXXB
HRXXC
HKXXD
AKXXE
EZGXXF
EZNXXG

REF.NO	PARTS NO.	KANRI NO.	DESCRIPTION	SUFFIX
*	8A-HM1-605-010		LCD,AHM-1 COG	ABCDEFG
*	8A-HM1-606-010		PWB,FLEX TACT	ABCDEFG
*	8A-HM1-608-010		PWB,FLEX EL	ABCDEFG
*	8A-HM1-610-010		PWB,FLEX MECHA	ABCDEFG
C	109	87-010-787-080	0E CAP, U 0.022-25	ABCDEFG
C	100	87-016-296-080	1A C-CAP,TN 22-4SV(A)	ABCDEFG
C	106	87-016-296-080	1A C-CAP,TN 22-4SV(A)	ABCDEFG
C	102	87-016-296-080	1A C-CAP,TN 22-4SV(A)	ABCDEFG
C	103	87-016-296-080	1A C-CAP,TN 22-4SV(A)	ABCDEFG
C	107	87-A10-504-080	0E C-CAP,U 0.047-16 K B	ABCDEFG
C	108	87-A10-561-080	0E C-CAP,V 0.01U-16 K B	ABCDEFG
C	104	87-A11-046-080	1B C-CAP,TN 100U-4 M F95 B	ABCDEFG
C	119	87-010-787-080	0E CAP, U 0.022-25	ABCDEFG
C	116	87-012-195-080	0E C-CAP,U 100P-50CH	ABCDEFG
C	111	87-012-282-080	0E CAP, U 4700P-50	ABCDEFG
C	113	87-012-282-080	0E CAP, U 4700P-50	ABCDEFG
C	115	87-016-448-080	1A C-CAP,TN 2.2-10 F95P	ABCDEFG
C	114	87-A10-353-080	0E C-CAP,U0.22-10KB	ABCDEFG
C	110	87-A10-353-080	0E C-CAP,U0.22-10KB	ABCDEFG
C	118	87-A10-561-080	0E C-CAP,V 0.01U-16 K B	ABCDEFG
C	117	87-A10-561-080	0E C-CAP,V 0.01U-16 K B	ABCDEFG
C	112	87-A11-049-080	0E C-CAP,U 1-6.3 K B	ABCDEFG
C	120	87-012-284-080	0E CAP, U 6800P-50	ABCDEFG
C	121	87-A10-504-080	0E C-CAP,U 0.047-16 K B	ABCDEFG
C	122	87-A10-561-080	0E C-CAP,V 0.01U-16 K B	ABCDEFG
C	123	87-A10-561-080	0E C-CAP,V 0.01U-16 K B	ABCDEFG
C	130	87-016-296-080	1A C-CAP,TN 22-4SV(A)	ABCDEFG
CN	100	87-A61-141-080	C-CONN,22P H 54550-2290	ABCDEFG
IC	100	87-A20-707-010	2B C-IC,CXA2523AR	ABCDEFG
IC	101	87-A20-710-040	1B C-IC,S-8110AMP	ABCDEFG
L	102	87-A50-360-080	0E C-COIL, 47UH K NLFC252018	ABCDEFG
L	100	87-A50-360-080	0E C-COIL, 47UH K NLFC252018	ABCDEFG
L	130	87-A50-360-080	0E C-COIL, 47UH K NLFC252018	ABCDEFG
Q	102	87-026-644-080	0E C-TR,DTA144EE	ABCDEFG
Q	101	87-A30-148-080	0E C-TR,2SC4738GR	ABCDEFG
Q	100	89-115-884-080	0E CHIP -TRANSISTER 2SA1588Y	ABCDEFG
R	108	87-022-294-080	0E C-RES,U 470K 1-16W F	ABCDEFG
R	116	87-022-223-080	0E CHIP RES 2.2K 1/16W F	ABCDEFG
R	114	87-022-223-080	0E CHIP RES 2.2K 1/16W F	ABCDEFG
R	115	87-022-223-080	0E CHIP RES 2.2K 1/16W F	ABCDEFG
C	206	87-012-270-080	0E CAP, U 470P-50	ABCDEFG
C	208	87-A10-561-080	0E C-CAP,V 0.01U-16 K B	ABCDEFG
C	202	87-A10-561-080	0E C-CAP,V 0.01U-16 K B	ABCDEFG
C	209	87-A10-770-080	C-CAP,V 0.1-10 K B	ABCDEFG
C	205	87-A10-770-080	C-CAP,V 0.1-10 K B	ABCDEFG
C	207	87-A10-827-080	0E C-CAP,U 0.47-6.3 K B	ABCDEFG
C	204	87-A10-827-080	0E C-CAP,U 0.47-6.3 K B	ABCDEFG
C	203	87-A11-049-080	0E C-CAP,U 1-6.3 K B	ABCDEFG
C	210	87-012-169-080	0E C-CAP,U 7P-50 CH	ABCDEFG
C	211	87-012-169-080	0E C-CAP,U 7P-50 CH	ABCDEFG
C	218	87-012-274-080	0E CHIP CAP,U 1000P-50B	ABCDEFG
C	217	87-012-274-080	0E CHIP CAP,U 1000P-50B	ABCDEFG
C	214	87-A10-770-080	C-CAP,V 0.1-10 K B	ABCDEFG
C	215	87-A10-770-080	C-CAP,V 0.1-10 K B	ABCDEFG
C	212	87-A11-050-080	1A C-CAP,TN 47U-4 M F95 A	ABCDEFG
C	216	87-A11-070-080	0E C-CAP,U 0.033-16 K B	ABCDEFG
C	221	87-016-296-080	1A C-CAP,TN 22-4SV(A)	ABCDEFG
C	220	87-016-296-080	1A C-CAP,TN 22-4SV(A)	ABCDEFG
C	222	87-A10-770-080	C-CAP,V 0.1-10 K B	ABCDEFG
IC	204	87-A21-027-040	1B C-IC,TC7W66FU	ABCDEFG
IC	201	87-A21-036-040	1B C-IC,R1110N251B-TR	ABCDEFG
IC	200	87-A21-349-010	C-IC,CXD2660GA	ABCDEFG
IC	202	87-A21-461-040	C-IC,RQ5RW18BHA04	ABCDEFG
L	200	87-A50-359-080	0E C-COIL, 22UH K NLFC252018	ABCDEFG
Q	205	87-026-644-080	0E C-TR,DTA144EE	ABCDEFG
R	221	87-A91-358-080	0E C-F-BEAD, BK1005HM102	.B
X	200	87-A70-238-080	C-VIB,XTAL 22.5792MHZ SX-5B	ABCDEFG
C	400	87-016-447-080	1A C-CAP,TN 1-16 F95 P	ABCDEFG
C	404	87-016-448-080	1A C-CAP,TN 2.2-10 F95P	ABCDEFG
C	405	87-016-448-080	1A C-CAP,TN 2.2-10 F95P	ABCDEFG
C	406	87-A11-049-080	0E C-CAP,U 1-6.3 K B	ABCDEFG
C	402	87-A11-049-080	0E C-CAP,U 1-6.3 K B	ABCDEFG
C	401	87-A11-049-080	0E C-CAP,U 1-6.3 K B	ABCDEFG
C	407	87-A11-049-080	0E C-CAP,U 1-6.3 K B	ABCDEFG
C	454	87-010-787-080	0E CAP, U 0.022-25	ABCDEFG
C	453	87-010-787-080	0E CAP, U 0.022-25	ABCDEFG
C	456	87-016-449-080	1A C-CAP,TN 10-4 F95 P	ABCDEFG
C	451	87-A10-057-080	1B C-CAP,TN 100-4 F95 E	ABCDEFG
C	455	87-A10-504-080	0E C-CAP,U 0.047-16 K B	ABCDEFG
C	457	87-A10-770-080	C-CAP,V 0.1-10 K B	ABCDEFG
C	464	87-012-274-080	0E CHIP CAP,U 1000P-50B	ABCDEFG

ELECTRICAL MAIN PARTS LIST - 2/4

C	463	87-012-274-080	0E	CHIP CAP,U 1000P-50B	ABCDEF
C	462	87-012-274-080	0E	CHIP CAP,U 1000P-50B	ABCDEF
C	461	87-012-280-080	0E	CAP, U 3300P-50	ABCDEF
C	460	87-A10-770-080		C-CAP,V 0.1-10 K B	ABCDEF
CN	200	87-A61-140-080		C-CONN,10P H 54548-1090	ABCDEF
D	400	87-A40-124-080	0E	C-DIODE,RB501V-40	ABCDEF
D	450	87-017-852-080	1A	C-DIODE,HRW0502A	ABCDEF
IC	400	87-A21-548-040		C-IC,MPC17A39L	ABCDEF
IC	451	87-017-857-080	1A	IC,TC7S04FU	ABCDEF
IC	450	87-A20-813-040	1H	C-IC,CXA8048N	ABCDEF
L	404	87-A50-013-080	0E	C-COIL,560UH LQH3C	ABCDEF
L	402	87-A50-358-080	0E	C-COIL, 10UH K NLFC252018	ABCDEF
L	401	87-A50-358-080	0E	C-COIL, 10UH K NLFC252018	ABCDEF
L	403	87-A50-358-080	0E	C-COIL, 10UH K NLFC252018	ABCDEF
L	400	87-A50-358-080	0E	C-COIL, 10UH K NLFC252018	ABCDEF
L	405	87-A50-361-080	0E	C-COIL, 100UH K NLFC252018	ABCDEF
L	450	87-A50-355-080	0E	C-COIL,330UH LQH3C	ABCDEF
Q	451	87-026-521-080	0E	CHIP TR HN1COLF U(GR)	ABCDEF
Q	450	89-113-625-080	0E	TR,2SA1362GR(120MHZ,0.	ABCDEF
Q	500	87-012-266-080	0E	C-CAP,U 220P-50 B	ABCDEF
C	504	87-012-278-080	0E	C-CAP,U 2200P-50 B	ABCDEF
C	501	87-016-296-080	1A	C-CAP,TN 22-4SV(A)	ABCDEF
C	502	87-016-448-080	1A	C-CAP,TN 2.2-10 F95P	ABCDEF
C	506	87-016-564-080	1B	C-CAP,10-6.3 PSN	ABCDEF
C	509	87-A10-504-080	0E	C-CAP,U 0.047-16 K B	ABCDEF
C	508	87-A10-504-080	0E	C-CAP,U 0.047-16 K B	ABCDEF
C	503	87-A10-561-080	0E	C-CAP,V 0.01U-16 K B	ABCDEF
C	507	87-A10-561-080	0E	C-CAP,V 0.01U-16 K B	ABCDEF
C	505	87-A11-049-080	0E	C-CAP,U 1-6.3 K B	ABCDEF
C	510	87-012-270-080	0E	CAP, U 470P-50	ABCDEF
C	512	87-016-449-080	1A	C-CAP,TN 10-4 F95 P	ABCDEF
C	513	87-016-449-080	1A	C-CAP,TN 10-4 F95 P	ABCDEF
C	511	87-A10-770-080		C-CAP,V 0.1-10 K B	ABCDEF
CN	300	87-A61-136-080		C-CONN,6P H 54550-0690	ABCDEF
D	502	87-A40-124-080	0E	C-DIODE,RB501V-40	ABCDEF
D	501	87-A40-412-040	0E	C-DIODE,SB05-05CP	ABCDEF
D	500	87-A40-412-040	0E	C-DIODE,SB05-05CP	ABCDEF
IC	500	87-A20-719-040	1H	C-IC,MPC18A20VM	ABCDEF
L	501	87-A50-011-080	0E	C-COIL,47UH LQH3C	ABCDEF
L	500	87-A50-361-080	0E	C-COIL, 100UH K NLFC252018	ABCDEF
Q	504	87-026-645-080	0E	C-TR,DTC144EE	ABCDEF
Q	501	87-A30-150-080	1C	C-FET,XTDF2N06HD	ABCDEF
Q	500	87-A30-150-080	1C	C-FET,XTDF2N06HD	ABCDEF
R	506	87-022-217-080	0E	C-RES,U 1.2K-1/16W F	ABCDEF
R	502	87-022-227-080	0E	C-RES,U 3.3K-1/16W F	ABCDEF
R	507	87-022-237-080	0E	C-RES,U 8.2K-1/16W F	ABCDEF
R	508	87-022-243-080	0E	CHIP RES,U 15K-1/16W F	ABCDEF
R	509	87-022-255-080	0E	C-RES,U 47K-1/16W F	ABCDEF
C	707	87-012-337-080	0E	C-CAP,U 56P-50 CH	ABCDEF
C	708	87-012-337-080	0E	C-CAP,U 56P-50 CH	ABCDEF
C	705	87-012-337-080	0E	C-CAP,U 56P-50 CH	ABCDEF
C	706	87-012-337-080	0E	C-CAP,U 56P-50 CH	ABCDEF
C	709	87-016-296-080	1A	C-CAP,TN 22-4SV(A)	ABCDEF
C	700	87-A11-046-080	1B	C-CAP,TN 100U-4 M F95 B	ABCDEF
C	701	87-A11-049-080	0E	C-CAP,U 1-6.3 K B	ABCDEF
C	702	87-A11-049-080	0E	C-CAP,U 1-6.3 K B	ABCDEF
C	704	87-A11-049-080	0E	C-CAP,U 1-6.3 K B	ABCDEF
C	703	87-A11-049-080	0E	C-CAP,U 1-6.3 K B	ABCDEF
C	713	87-016-296-080	1A	C-CAP,TN 22-4SV(A)	ABCDEF
C	710	87-016-296-080	1A	C-CAP,TN 22-4SV(A)	ABCDEF
C	711	87-016-449-080	1A	C-CAP,TN 10-4 F95 P	ABCDEF
C	712	87-016-449-080	1A	C-CAP,TN 10-4 F95 P	ABCDEF
C	716	87-A11-049-080	0E	C-CAP,U 1-6.3 K B	ABCDEF
C	715	87-A11-049-080	0E	C-CAP,U 1-6.3 K B	ABCDEF
C	714	87-A11-049-080	0E	C-CAP,U 1-6.3 K B	ABCDEF
C	717	87-A11-049-080	0E	C-CAP,U 1-6.3 K B	ABCDEF
C	730	87-A11-049-080	0E	C-CAP,U 1-6.3 K B	ABCDEF
C	753	87-012-274-080	0E	CHIP CAP,U 1000P-50B	ABCDEF
C	754	87-012-274-080	0E	CHIP CAP,U 1000P-50B	ABCDEF
C	755	87-A10-770-080		C-CAP,V 0.1-10 K B	ABCDEF
C	756	87-A10-770-080		C-CAP,V 0.1-10 K B	ABCDEF
C	770	87-012-337-080	0E	C-CAP,U 56P-50 CH	ABCDEF
C	771	87-012-337-080	0E	C-CAP,U 56P-50 CH	ABCDEF
C	772	87-016-296-080	1A	C-CAP,TN 22-4SV(A)	ABCDEF
C	774	87-016-296-080	1A	C-CAP,TN 22-4SV(A)	ABCDEF
C	779	87-A10-048-080	1A	C-CAP,TN 22-4 F95 S	ABCDEF
C	778	87-A10-048-080	1A	C-CAP,TN 22-4 F95 S	ABCDEF
C	777	87-A11-049-080	0E	C-CAP,U 1-6.3 K B	ABCDEF
C	773	87-A11-049-080	0E	C-CAP,U 1-6.3 K B	ABCDEF
C	775	87-A11-049-080	0E	C-CAP,U 1-6.3 K B	ABCDEF
C	776	87-A11-049-080	0E	C-CAP,U 1-6.3 K B	ABCDEF
C	785	87-A10-048-080	1A	C-CAP,TN 22-4 F95 S	ABCDEF
C	787	87-A10-770-080		C-CAP,V 0.1-10 K B	ABCDEF
C	784	87-A10-770-080		C-CAP,V 0.1-10 K B	ABCDEF
C	788	87-A10-770-080		C-CAP,V 0.1-10 K B	ABCDEF
C	783	87-A11-318-080		C-CAP,TN 220U-2.5 SVB2	ABCDEF
C	782	87-A11-318-080		C-CAP,TN 220U-2.5 SVB2	ABCDEF
IC	700	87-A21-034-040	2M	C-IC,UDA1341TS	ABCDEF
IC	701	87-A21-036-040	1B	C-IC,R1110N251B-TR	ABCDEF
IC	770	87-A21-029-040	1D	C-IC,BA3577FV	ABCDEF
J	730	87-A61-070-010		JACK,JFJ7001	ABCDEF
J	780	87-A60-682-010	1B	JACK,3.5 ST 7P	ABCDEF

ELECTRICAL MAIN PARTS LIST - 3/4

L	710	87-003-245-080	0E	C-COIL,22UH	ABCDEFG.....
L	730	87-A50-362-080	1A	C-COIL,ACM2520-601-2P	ABCDEFG.....
L	731	87-A50-362-080	1A	C-COIL,ACM2520-601-2P	ABCDEFG.....
L	770	87-A50-362-080	1A	C-COIL,ACM2520-601-2P	ABCDEFG.....
L	771	87-A50-362-080	1A	C-COIL,ACM2520-601-2P	ABCDEFG.....
Q	700	87-026-527-080	0E	C-TR,HN1A01FU(G)	ABCDEFG.....
Q	701	87-026-527-080	0E	C-TR,HN1A01FU(G)	ABCDEFG.....
Q	702	87-A30-033-080	0E	C-FET,2SK2035	ABCDEFG.....
Q	731	87-026-645-080	0E	C-TR,DTC144EE	ABCDEFG.....
Q	730	87-026-647-080	0E	C-TR,DTA123JE	ABCDEFG.....
Q	770	87-026-528-080	0E	C-TR,RN1905	ABCDEFG.....
S	730	87-A90-703-080	0E	C-SW,SL 1-1-3 SSSS813-B-2B	ABCDEFG.....
BAT	300	87-B30-197-010	1E	BAT,ML614	ABCDEFG.....
C	305	87-A10-561-080	0E	C-CAP,V 0.01U-16 K B	ABCDEFG.....
C	303	87-A10-561-080	0E	C-CAP,V 0.01U-16 K B	ABCDEFG.....
C	304	87-A10-561-080	0E	C-CAP,V 0.01U-16 K B	ABCDEFG.....
C	307	87-A10-770-080		C-CAP,V 0.1-10 K B	ABCDEFG.....
C	309	87-A10-770-080		C-CAP,V 0.1-10 K B	ABCDEFG.....
C	302	87-A10-770-080		C-CAP,V 0.1-10 K B	ABCDEFG.....
C	308	87-A10-770-080		C-CAP,V 0.1-10 K B	ABCDEFG.....
C	306	87-A10-770-080		C-CAP,V 0.1-10 K B	ABCDEFG.....
C	316	87-012-169-080	0E	C-CAP,U 7P-50 CH	ABCDEFG.....
C	314	87-012-186-080	0E	C-CAP,U 39P-50 CH	ABCDEFG.....
C	315	87-A10-561-080	0E	C-CAP,V 0.01U-16 K B	ABCDEFG.....
C	318	87-A10-561-080	0E	C-CAP,V 0.01U-16 K B	ABCDEFG.....
C	312	87-A10-561-080	0E	C-CAP,V 0.01U-16 K B	ABCDEFG.....
C	313	87-A10-561-080	0E	C-CAP,V 0.01U-16 K B	ABCDEFG.....
C	319	87-A10-561-080	0E	C-CAP,V 0.01U-16 K B	ABCDEFG.....
C	310	87-A10-770-080		C-CAP,V 0.1-10 K B	ABCDEFG.....
C	311	87-A10-770-080		C-CAP,V 0.1-10 K B	ABCDEFG.....
C	317	87-A11-049-080	0E	C-CAP,U 1-6.3 K B	ABCDEFG.....
C	321	87-012-274-080	0E	CHIP CAP,U 1000P-50B	ABCDEFG.....
C	320	87-A10-561-080	0E	C-CAP,V 0.01U-16 K B	ABCDEFG.....
C	355	87-012-195-080	0E	C-CAP,U 100P-50CH	ABCDEFG.....
C	354	87-012-197-080	0E	C-CAP,U 150P-50 CH	ABCDEFG.....
C	350	87-A10-770-080		C-CAP,V 0.1-10 K B	ABCDEFG.....
C	351	87-A10-770-080		C-CAP,V 0.1-10 K B	ABCDEFG.....
C	353	87-A10-770-080		C-CAP,V 0.1-10 K B	ABCDEFG.....
CN	400	87-A61-138-080		C-CONN,9P H 54550-0990	ABCDEFG.....
CN	500	87-A61-139-080		C-CONN,10P H 54550-1090	ABCDEFG.....
CN	600	87-A61-137-080		C-CONN,6P H 54548-0690	ABCDEFG.....
D	300	87-017-636-080	0E	C-DIODE,RB731U	ABCDEFG.....
D	350	87-A40-562-040	0E	C-DIODE,HSU83TRF	ABCDEFG.....
IC	302	87-A21-030-040	1B	C-IC,S-93C46AMFN	ABCDEFG.....
IC	303	87-A21-100-040	1D	C-IC,S-3531A	ABCDEFG.....
IC	304	87-A21-308-040		C-IC,HMMD4425M-L4S	ABCDEFG.....
IC	300	8A-HM1-609-010		C-IC,CXP81952M	ABCDEFG.....
L	300	87-A50-355-080	0E	C-COIL,330UH LQH3C	ABCDEFG.....
Q	303	87-026-536-080	0E	C-TR,RN4910	ABCDEFG.....
Q	302	87-026-644-080	0E	C-TR,DTA144EE	ABCDEFG.....
Q	304	87-026-644-080	0E	C-TR,DTA144EE	ABCDEFG.....
Q	305	87-026-654-080	0E	C-TR,DTC114TE	ABCDEFG.....
Q	301	87-A30-033-080	0E	C-FET,2SK2035	ABCDEFG.....
R	304	87-022-239-080	0E	C-RES U 10K-1/16WF	ABCDEFG.....
S	301	87-A90-330-080	0E	C-SW,SL 1-1-2 SSSS81	ABCDEFG.....
S	300	87-A90-330-080	0E	C-SW,SL 1-1-2 SSSS81	ABCDEFG.....
S	303	87-A91-419-080		C-SW,PUSH MPU11121MLB1	ABCDEFG.....
S	304	87-A91-419-080		C-SW,PUSH MPU11121MLB1	ABCDEFG.....
X	301	87-A70-100-080	1B	C-VIB,CER 12.0MHZ PBRC-BR-A	ABCDEFG.....
X	300	87-A70-227-080		C-VIB,XTAL 32.768KHZ CM200S-6P	ABCDEFG.....
C	606	87-012-274-080	0E	CHIP CAP,U 1000P-50B	ABCDEFG.....
C	604	87-012-274-080	0E	CHIP CAP,U 1000P-50B	ABCDEFG.....
C	607	87-A10-561-080	0E	C-CAP,V 0.01U-16 K B	ABCDEFG.....
C	605	87-A10-770-080		C-CAP,V 0.1-10 K B	ABCDEFG.....
C	601	87-A11-045-080	1B	C-CAP,TN 47U-10 M F95 B	ABCDEFG.....
C	608	87-A11-050-080	1A	C-CAP,TN 47U-4 M F95 A	ABCDEFG.....
C	600	87-A11-067-080	0E	C-CAP,S 1-10 K B	ABCDEFG.....
C	611	87-A11-050-080	1A	C-CAP,TN 47U-4 M F95 A	ABCDEFG.....
C	620	87-A10-260-080	0E	C-CAP,U 0.1-16 K B	ABCDEFG.....
C	622	87-A10-260-080	0E	C-CAP,U 0.1-16 K B	ABCDEFG.....
D	602	87-017-850-080	0E	C-DIODE,DAP222	ABCDEFG.....
D	603	87-017-850-080	0E	C-DIODE,DAP222	ABCDEFG.....
D	601	87-017-852-080	1A	C-DIODE,HRW0502A	ABCDEFG.....
F	600	87-A90-745-080	1B	C-FUSE,750MA 13.2V MINISMDC075	ABCDEFG.....
F	601	87-A90-745-080	1B	C-FUSE,750MA 13.2V MINISMDC075	ABCDEFG.....
IC	604	87-A20-674-040	1A	C-IC,S-80825ANNP-EDN	ABCDEFG.....
IC	602	87-A21-032-080	1C	C-IC,S-8520B28MC	ABCDEFG.....
IC	603	87-A21-035-040	1B	C-IC,R1110N281B-TR	ABCDEFG.....
IC	600	87-A21-038-040	1B	C-IC,NJU7014R-TE2	ABCDEFG.....
IC	601	87-A21-081-040	1A	C-IC,NJM2130F	ABCDEFG.....
IC	605	87-A21-102-040	1A	C-IC,S-80828ANNP-EDR-T2	ABCDEFG.....
J	600	87-A60-544-010	1A	JACK,DC 4.0 Y 6.3	ABCDEFG.....
L	602	87-A50-271-080	1B	C-COIL,ACM4532-801-2P	ABCDEFG.....
L	600	87-A50-290-080	1A	C-COIL,56UHC5-Q3L	ABCDEFG.....
Q	601	87-026-644-080	0E	C-TR,DTA144EE	ABCDEFG.....
Q	606	87-026-644-080	0E	C-TR,DTA144EE	ABCDEFG.....
Q	607	87-026-644-080	0E	C-TR,DTA144EE	ABCDEFG.....
Q	605	87-026-645-080	0E	C-TR,DTC144EE	ABCDEFG.....
Q	609	87-026-645-080	0E	C-TR,DTC144EE	ABCDEFG.....
Q	602	87-A30-147-080	0E	C-TR,2SA1832GR	ABCDEFG.....
Q	608	87-A30-148-080	0E	C-TR,2SC4738GR	ABCDEFG.....
Q	603	87-A30-181-040	0E	C-TR,DTA114TEA	ABCDEFG.....

ELECTRICAL MAIN PARTS LIST - 4/4

Q	600	87-A30-187-080	1C	C-FET,MTDF1N02HD	ABCDEF..
Q	604	87-A30-236-040	1C	C-FET,MTDF1P02HD	ABCDEF..
Q	610	87-A30-262-080	1B	C-FET,FDC634P	ABCDEF..
R	601	87-022-287-080	0E	C-RES,U 120K-1/16W F	ABCDEF..
R	600	87-022-288-080	0E	C-RES,U 150K-1/16WF	ABCDEF..
R	609	87-022-288-080	0E	C-RES,U 150K-1/16WF	ABCDEF..
R	619	87-022-249-080	0E	C-RES U27K 1/16WF	ABCDEF..
R	610	87-022-284-080	0E	C-RES,U 68K 1-16W F	ABCDEF..
S	600	87-A90-232-080	0E	C-SW,TACT SKQRAA	ABCDEF..
CN	50	87-A61-139-080		C-CONN,10P H 54550-1090	ABCDEF..
S	52	87-A91-008-080	1A	C-SW,PUSH 2-1-1 SPVE4.1	ABCDEF..
S	53	87-A91-009-080	1A	C-SW,PUSH 2-1-1 SPVE5.2	ABCDEF..
S	50	87-A91-419-080		C-SW,PUSH MPU11121MLB1	ABCDEF..
S	51	87-A91-419-080		C-SW,PUSH MPU11121MLB1	ABCDEF..
S	54	87-A91-420-080		C-SW,PUSH MPU11120MLA1	ABCDEF..

MECHANICAL PARTS LIST - 1/1

NOTE: The characters in the suffix column indicate the part usage.

HCXXB
HRXXC
HKXXD
AKXXE
EZGXXF
EZNXXG

REF.NO	PARTS NO.	KANRI NO.	DESCRIPTION	SUFFIX
	8A-HM1-001-010		PANEL ASSY, TOP	ABCD
	8A-HM1-003-010		FRAME, CENTER	ABCD
	8A-HM1-004-010		LID, BATT	ABCD
	8A-HM1-026-010		FRAME, CENTER EZEFG
	8A-HM1-041-010		PANEL ASSY, TOP NE.G
	8A-HM1-043-010		PANEL ASSY, TOP GF
	8A-HM1-056-010		LID, BATT NE.G
	8A-HM1-057-010		LID, BATT GF
	8A-HM1-007-010		KEY, CONT MAIN	ABCDEF
	8A-HM1-008-010		KEY, CONT SUB	ABCDEF
	8A-HM1-009-010		KEY, SEARCH	ABCDEF
	8A-HM1-010-010		KNOB, RTRY JOG	ABCDEF
	8A-HM1-006-110		WINDOW, DISP	ABCD
	8A-HM1-061-010		WINDOW, DISP NE.G
	8A-HM1-062-010		WINDOW, DISP GF
	8A-HM1-011-010		LENS, REC	ABCDEF
	8A-HM1-005-010		PANEL, BOT	A
	8A-HM1-031-010		PANEL, BOT HC	.BCD
	8A-HM1-033-010		PANEL, BOT U
	8A-HM1-034-010		PANEL, BOT EZ NE.G
	8A-HM1-035-010		PANEL, BOT EZ GF
	8A-HM1-012-010		KNOB, SL EJECT	ABCDEF
	8A-HM1-013-010		KNOB, SL REC	ABCDEF
	8A-HM1-014-010		KNOB, LEVER REC	ABCDEF
	8A-HM1-015-010		KNOB, SL HOLD	ABCDEF
	8A-HM1-016-010		KNOB, SL SEL	ABCD
	8A-HM1-066-010		KNOB, SL SEL NE.G
	8A-HM1-067-010		KNOB, SL SEL GF
	8A-HM1-203-010		HINGE, PANEL TOP	ABCDEF
	8A-HM1-206-110		FRAME ASSY, FR	ABCDEF
	8A-HM1-216-010		FRAME, R	ABCDEF
	8A-HM1-225-010		HLDR, LCD	ABCDEF
	8A-HM1-232-010		COVER, BATT BOX	ABCDEF
	8A-HM1-233-010		BAT-CONTACT, BOX	ABCDEF
	8A-HM1-234-110		HINGE, BATT	ABCDEF
	8A-HM1-235-110		SHAFT, HINGE BATT	ABCDEF
	8A-HM1-236-010		BAT-CONTACT, +	ABCDEF
	8A-HM1-237-010		BAT-CONTACT, -	ABCDEF
	8A-HM1-238-010		COVER, BATT +	ABCDEF
	8A-HM1-239-110		COVER, BATT -	ABCDEF
	8A-HM1-242-010		SPR-E, REC	ABCDEF
	8A-HM1-243-010		PLATE, JOG	ABCDEF
	8A-HM1-244-010		SPR-T, OPEN	ABCDEF
	8A-HM1-250-010		SPR-E, LOCK B	ABCDEF
	8A-HM1-272-010		W-L, 1.7-3.6-0.05 W/ADH	ABCDEF
	8A-HM1-285-010		W-L, 1.7-3.6-0.4	ABCDEF
	8Z-HM1-248-010	0E	W-P, 0.7-2.5-0.13	ABCDEF
	8Z-HM4-226-010	0E	HLDR, PWB	ABCDEF
	8Z-HM4-230-010	0E	SPR-E, EJECT	ABCDEF
*	8A-HM1-226-010		HLDR ASSY, TOP	ABCDEF
*	8A-HM1-229-010		HLDR, PANEL	ABCDEF
	87-067-746-010	0E	SCREW, M 1.4-2 (H0.5)	ABCDEF
	87-078-052-010	0E	S-SCREW+1.4-3.5HL (B)	ABCDEF
	87-HM1-242-010	0E	S-SCREW, 1.4-2.0CR	ABCDEF
	87-HM1-243-010	0E	S-SCREW, 1.4-1.4CRNL	ABCDEF
	87-HM1-254-010	0E	S-SCREW, 1.4-1.4CR	ABCDEF
	8A-HM1-291-010		S-SCREW, 1.4-1.0 CR	ABCDEF
	8A-HM3-222-010		S-SCREW, +1.4-3.0 CR	ABCDEF
*	88-ZG2-256-010	0E	S-SCREW, +1.4-3.5	ABCDEF
*	8Z-HM1-236-010	0E	S-SCREW, +1.4-1.2 SWCH CR	ABCDEF

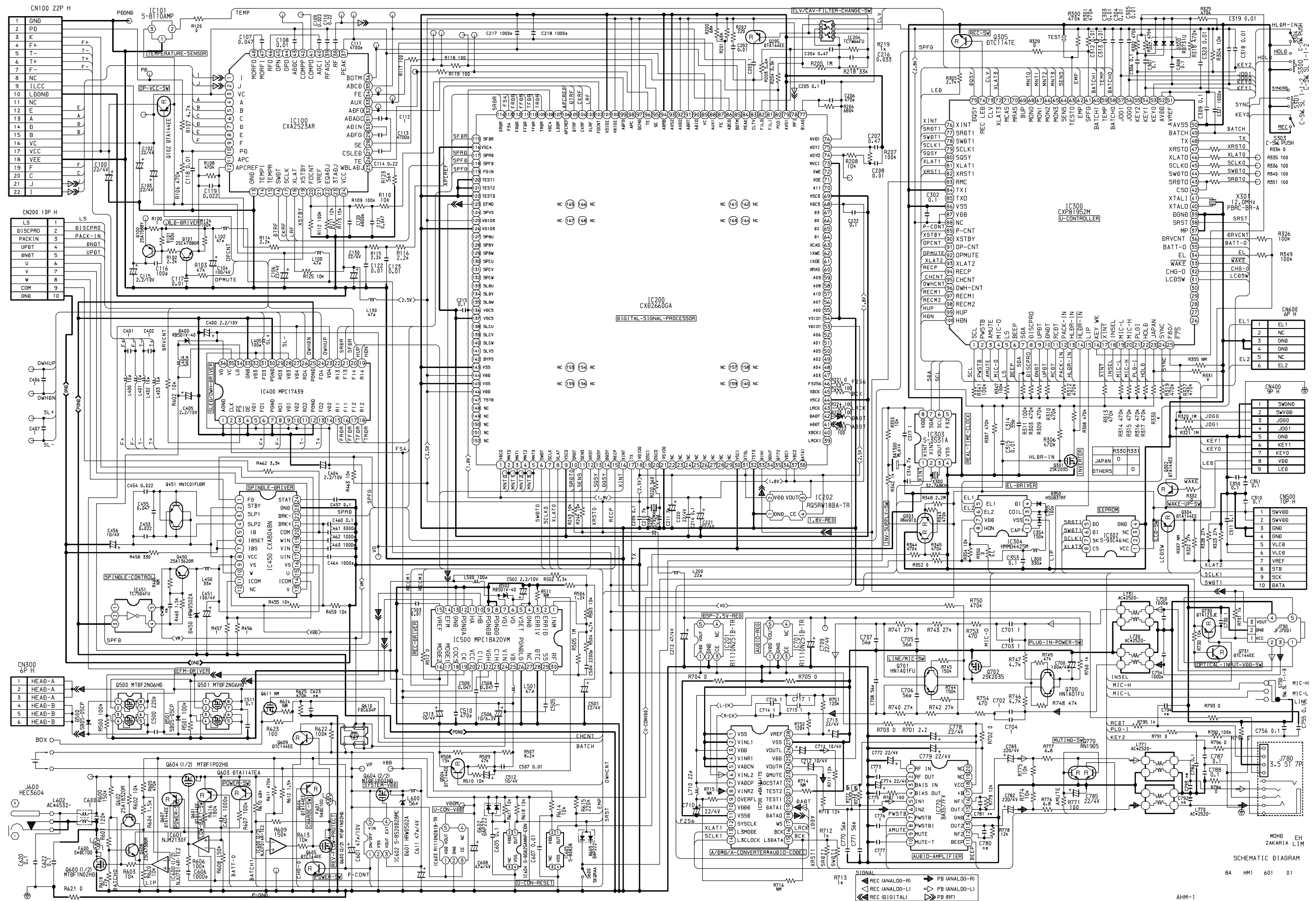
ACCESSORIES / PACKAGE LIST - 1/1

NOTE: The characters in the suffix column indicate the part usage.

HCXXB
HRXXC
HKXXD
AKXXE
EZGXXF
EZNXXG

REF.NO	PARTS NO.	KANRI NO.	DESCRIPTION	SUFFIX
	8A-HM1-901-110		IB,D	A.....
	8A-HM1-904-010		IB,HC (ECK)I	.B.....
	8A-HM1-905-010		IB,HR (ECA)I	..CD.....
	8A-HM1-907-010		IB,EZ (EGF)IEFG.....
	8A-HM1-908-010		IB,EZ (SID)IFG.....
	8A-HM1-909-010		IB,EZ (PHNCZ)IFG.....
	87-041-064-010	2B	MIC,CM-S20 A	A.....
	87-A90-312-010		PLUG,CONVERSION WTN-1157R1	..C.....
	87-B30-047-110	2A	AC ADAPTOR,AC-D401 NC	A.....
	87-B30-111-010	2E	BAT,LIB-902	ABCDEF..G.....
	87-B30-142-010	2A	AC ADAPTOR,AC-D401U NC
	87-B30-143-110	2M	AC ADAPTOR,AC-D401E NCFG.....
	87-B30-144-010	2M	AC ADAPTOR,AC-D401K NC	..DE.....
	87-B30-159-010	2B	AC ADAPTOR,AC-D401HR	..C.....
	87-B30-177-010	2B	AC ADAPTOR,AC-D401HC	.B.....
	87-B30-231-010	1F	CABLE, OP-W2S	.BCDEF..G.....
	87-B30-248-010	2M	HEADPHONE,HP-M038
	87-B30-297-010		HEADPHONE,HP-M031 H	ABCDEF..G.....
	8A-HM1-612-010		ADAPTOR,DC-550A
	8A-HM1-951-010		BOX ASSY,BAT AHM-1	.BCD.....
	8A-HM1-955-010		BOX ASSY,BAT AHM-1 D	A.....
	8A-HM1-957-010		BOX ASSY,BAT AHM-1 NE.G.....
	8A-HM1-959-010		BOX ASSY,BAT AHM-1 GF.....
	8A-HM3-952-010		BAG,CARRING	ABCDEF..G.....
	8Z-HM4-605-010	2D	RC UNIT,RC-HX30	ABCD.F.....
	8Z-HM4-608-010	2D	RC UNIT,RC-HX30 NE.G.....
	8Z-HM4-951-010	1C	STRAP,RC-HX30	A.....

SCHEMATIC DIAGRAM – 1 (MAIN)



B-AHM-1MAIN-60-RND (P1)

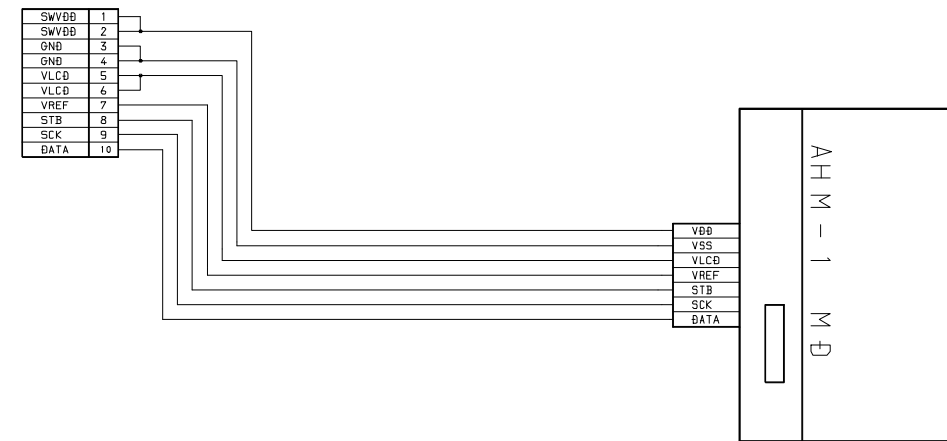
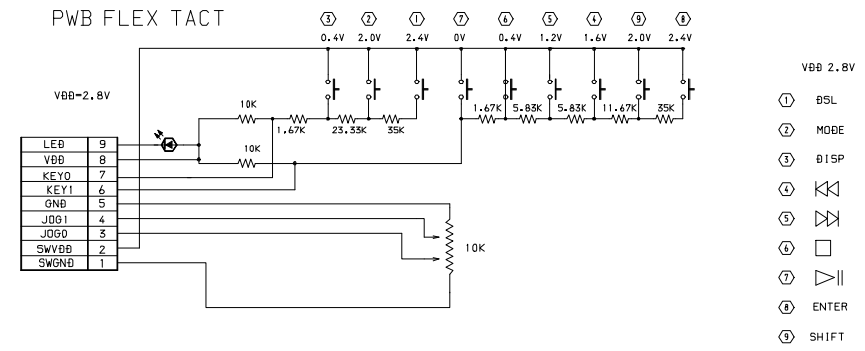
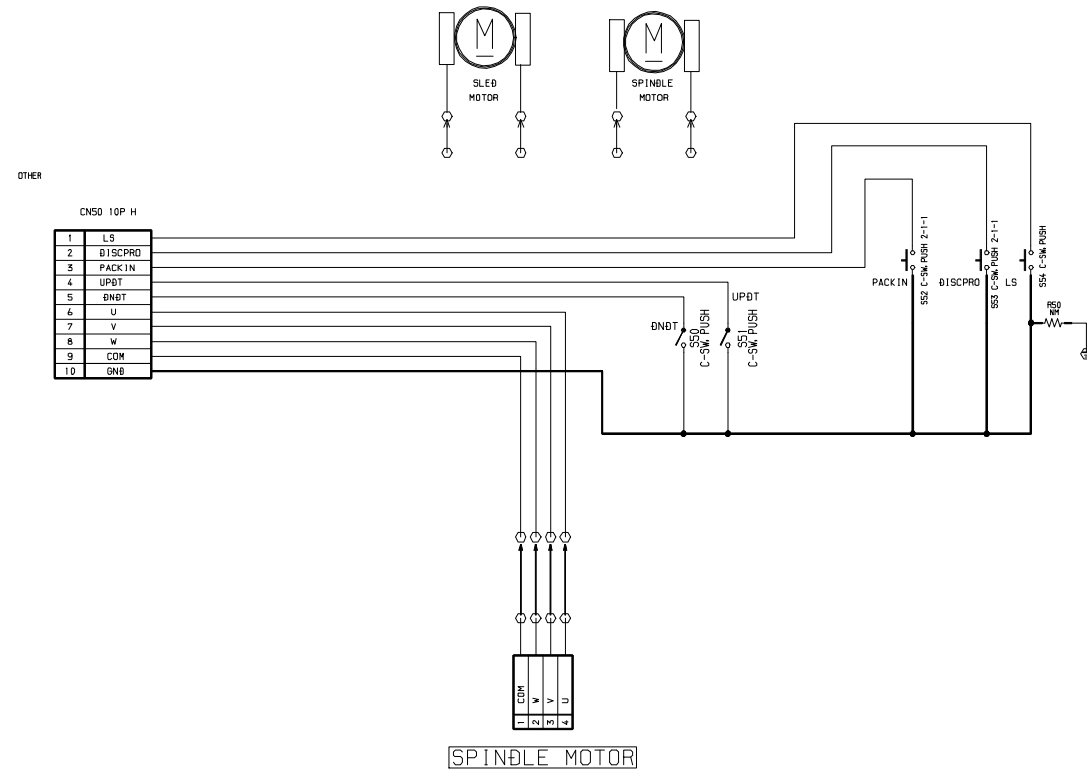
MOHD EH
ZAKARIA LTM

SCHEMATIC DIAGRAM
8A HM1 601 01

AHM-1

9 AUG 99

SCHEMATIC DIAGRAM – 2 (FLEX)



サービス技術ニュース	
番号	連絡内容
G- -	
G- -	
G- -	

アイワ株式会社
AIWA CO.,LTD.

9301978

Tokyo Japan

〒110-8710 東京都台東区池之端1-2-11 ☎03(3827)3111 (代表)

Printed in Singapore