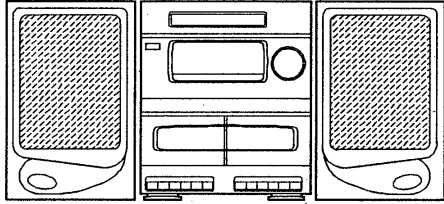


aiwa



NSX-V8 CX-NV8



COMPACT DISC STEREO SYSTEM

- BASIC TAPE MECHANISM:TN-591SW-103
- BASIC CD MECHANISM:3ZG-3 A1N
- TYPE:HE(NSX-V8),EEZ(CX-NV8)

REVISION PUBLISHING

- This Service Manual is the "Revision Publishing" and replaces "Simple Manual" (S/M Code No. 09-955-103-40T).

SYSTEM	CD-CASSEIVER	REMOTE CONTROLLER	SPEAKERS
NSX-V8	CX-NV8	RC-TN270	SX-NV8

MANUAL
SERVICE

SPECIFICATIONS

<FM section>

Frequency range	87.5 MHz to 108 MHz
Usable sensitivity (IHF)	Except EZ, EEZ: 1.3 μV (75 ohms) 13.2 dBf EZ, EEZ: 1.9 μV (75 ohms) 16.8 dBf
Alternate channel selectivity	50 dB (±400 kHz)
Signal-to-noise ratio	STEREO: 70 dB (Except EZ, EEZ) 65 dB (EZ, EEZ) MONO: 76 dB (Except EZ, EEZ) 73 dB (EZ, EEZ)
Harmonic distortion	0.3 % (MONO), 1 kHz 0.5 % (STEREO, L-R), 1 kHz
Frequency response	30 Hz to 15 kHz (+0.5 dB, -3 dB)
Stereo separation	Except EZ, EEZ: 33 dB at 1 kHz EZ, EEZ: 30 dB at 1 kHz
Antenna	75 ohms (unbalanced)

<AM (MW) section>

Frequency range	AM 531 (530) kHz to 1602 (1710) kHz
Usable sensitivity	350 μV/m
Selectivity	22 dB (9 kHz)
Signal-to-noise ratio	53 dB (100 dB input)
Antenna	Loop antenna

<LW section > (EEZ model only)

Frequency range	144 kHz to 290 kHz
Sensitivity	1400 μV/m
Antenna	Loop antenna

<Timer section>

Program timer	On-timer, capable of free setting
Sleep timer	Capable of setting in 10-minute increments, 240 minutes maximum

<Amplifier section>

Power output	HE: 20 W + 20 W (6 ohms, T.H.D. 10% 1 kHz) EEZ: Rated 16 W + 16 W (6 ohms, T.H.D. 1% 1 kHz/DIN 45500) Reference 20 W + 20 W (6 ohms, T.H.D. 10% 1kHz/DIN 45324) DIN MUSIC POWER 42 W + 42 W
Harmonic distortion	HE: 0.07% (10 W, 1 kHz, 6 ohms) EEZ: 0.07% (8 W, 1 kHz, 6 ohms)
Input sensitivity	VIDEO/AUX: 400 mV

<Cassette deck section>

Track format	4 tracks, 2 channels
Frequency response	Normal tape: 50 - 15000 Hz
Tape speed	4.8 cm/sec. (1 7/8 ips)
Recording system	AC bias
Erasure system	AC erase
Motor	DC servomotor × 1
Heads	Playback head × 1 (deck 2) Recording/playback × 1 (deck 1) Erasure head × 1 (deck 1)

<CD player section>

Disc	Compact disc
Scanning method	Non-contact optical scanner (semiconductor laser application)
Laser	Semiconductor laser (λ = 780 nm)
Rotation speed	Approx. 500 rpm - 200 rpm (CLV)
Error correction	Cross Interleave, Reed Solomon code
No. of channels	2 channels
D/A converter	1 bit dual
Wow/flutter	Unmeasurable
Signal-to-noise ratio	90 dB (1 kHz, 0 dB)
Harmonic distortion	0.05% (1 kHz, 0 dB)

SPEAKER SYSTEM SX-N400

(These values are for one speaker.)

Cabinet type	3 way, bass reflex (magnetism sealed type)
Speaker	130 mm (5 1/8 in.) cone type woofer 50 mm (2 in.) cone type tweeter 20 mm (1 3/16 in.) ceramic type super tweeter
Impedance	6 ohms
Music power	40 W
Output sound pressure level	87 dB/W/m
Dimensions (W × H × D)	180 × 302 × 220 mm (7 1/8 × 12 × 8 3/4 in.)
Weight	2.6 kg (5 lbs. 12 oz)

COMMON SECTION

Power requirements	HE: AC 120 V/220-240 V, switchable 50/60 Hz EEZ: AC 230 V, 50 Hz
Power consumption (System total)	HE: 45 W EEZ: 110 W
Dimensions (W × H × D)	Main unit: 260 × 302.5 × 340 mm (10 1/4 × 12 × 13 1/2 in.) System: 620 × 302.5 × 340 mm (24 1/2 × 12 × 13 1/2 in.)
Weight	Main unit: 6 kg (13.2 lb.) System: 11.2 kg (24.64 lb.)

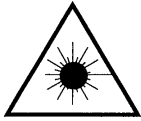
● Design and specifications are subject to change without notice.

PROTECTION OF EYES FROM LASER BEAM DURING SERVICING

This set employs laser. Therefore, be sure to follow carefully the instructions below when servicing.

WARNING!

WHEN SERVICING, DO NOT APPROACH THE LASER EXIT WITH THE EYE TOO CLOSELY. IN CASE IT IS NECESSARY TO CONFIRM LASER BEAM EMISSION. BE SURE TO OBSERVE FROM A DISTANCE OF MORE THAN 30cm FROM THE SURFACE OF THE OBJECTIVE LENS ON THE OPTICAL PICK-UP BLOCK.



- Caution: Invisible laser radiation when open and interlocks defeated avoid exposure to beam.
- Advarsel: Usynlig laserstråling ved åbning, når sikkerhedsafbrydere er ude af funktion. Undgå udsættelse for stråling.

VAROITUS!

Laiteen Käyttäminen muulla kuin tässä käyttöohjeessa mainitulla tavalla saattaa altistaa käyt-täjän turvallisuusluokan 1 ylit-tävälle näkymättömälle lasersäteilylle.

WARNING!

Om apparaten används på annat sätt än vad som specificeras i denna bruksanvisning, kan användaren utsättas för osynlig laserstrålning, som överskrider gränsen för laserklass 1.

CAUTION

Use of controls or adjustments or performance of procedures other than those specified herein may result in hazardous radiation exposure.

ATTENTION

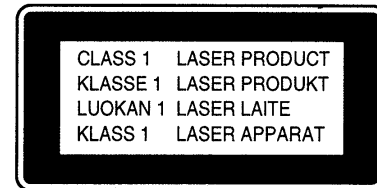
L'utilisation de commandes, réglages ou procédures autres que ceux spécifiés peut entraîner une dangereuse exposition aux radiations.

ADVARSEL!

Usynlig laserstråling ved åbning, når sikkerhedsafbrydere er ude af funktion. Undgå udsættelse for stråling.

This Compact Disc player is classified as a CLASS 1 LASER product.

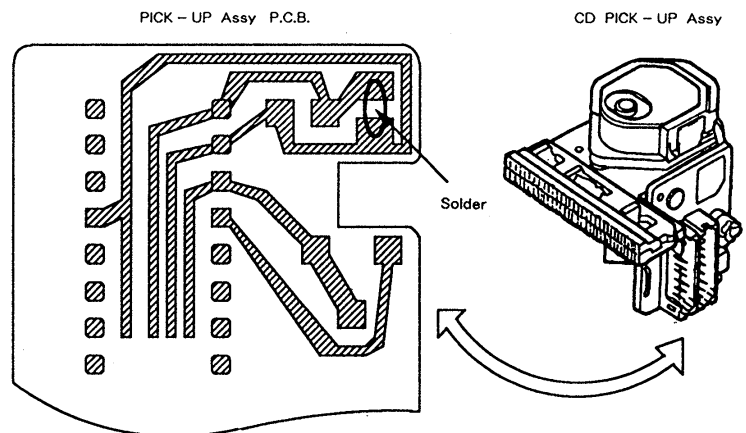
The CLASS 1 LASER PRODUCT label is located on the rear exterior.



Precaution to replace Optical block (KSS-210A)

Body or clothes electrostatic potential could ruin laser diode in the optical block. Be sure ground body and workbench, and use care the clothes do not touch the diode.

- 1) After the connection, remove solder shown in the right figure.



ELECTRICAL MAIN PARTS LIST

DESCRIPTIONで判断できない物は“REFERENCE NAME LIST”を参照してください。
 If can't understand for Description please kindly refer to “REFERENCE NAME LIST”.

REF. NO	PART NO.	カリ NO.	DESCRIPTION	REF. NO	PART NO.	カリ NO.	DESCRIPTION
IC				C102	87-010-399-090		CAP,E 3300-35 SME
	87-017-745-010	IC, CXA1782BQ		C104	87-010-980-080		CAP,E 330-16 FS
	87-070-130-010	IC, CXD2507AQ		C105	87-010-101-080		CAP,E 220-16 SME
	87-017-486-080	IC, BA6397FP		C106	87-010-247-080		CAP,E 100-50 SME
	87-017-429-080	IC, TDA1311A (T)		C107	87-010-384-080		CAP,E 100-25 SME
	87-001-982-010	IC, TA7291S		C108	87-010-384-080		CAP,E 100-25 SME
	83-NEA-630-010	IC, UPD78043GF-057		C109	87-010-263-080		CAP,E 100-10 SME 5X11
	87-017-373-010	IC, NJH32H380A		C110	87-010-263-080		CAP,E 100-10 SME 5X11
	87-020-899-010	IC, STK4122-MK2		C112	87-010-260-080		CAP,E 47-25 SME
	87-020-758-010	IC, NJM2068SD		C113	87-010-403-080		CAP,E 3.3-50 SME
	87-002-727-010	IC, NJM4558L		C115	87-012-368-080		C-CAP,S 0.1-50F
	87-001-607-080	IC, NJM4558M		C116	87-012-140-080		C-CAP,S 470P-50 CH
	87-017-448-010	IC, GD4052B		C118	87-012-368-080		C-CAP,S 0.1-50F
	87-002-272-080	IC, TC4052BF		C213	87-010-404-080		CAP,E 4.7-50 SME
	87-017-374-010	IC, TC4094BP		C214	87-010-404-080		CAP,E 4.7-50 SME
	82-NF7-635-080	IC, M65830AFP<HE>		C215	87-010-175-080		C-CAP,S 560P-50 SL
	87-002-607-010	IC, LM7001		C216	87-010-175-080		C-CAP,S 560P-50 SL
	87-017-434-010	IC, KIA6043S		C217	87-010-546-080		CAP,E 0.33-50 SME
	87-001-942-010	IC, LA1265S (G)		C218	87-010-546-080		CAP,E 0.33-50 SME
				C219	87-010-263-080		CAP,E 100-10 SME 5X11<EEZ>
TRANSISTOR				C220	87-010-263-080		CAP,E 100-10 SME 5X11<EEZ>
	87-026-463-080	TR, 2SA933S (RS)		C221	87-010-402-080		CAP,E 2.2-50 SME
	89-113-187-880	TR, 2SA 1318 TU		C222	87-010-402-080		CAP,E 2.2-50 SME
	87-026-237-080	C-TR, DTC124XK		C223	87-010-374-080		CAP,E 47-10
	89-327-124-080	C-TR, 2SC2712Y		C224	87-010-374-080		CAP,E 47-10
	89-109-521-080	TR, 2SA952K		C225	87-010-260-080		CAP,E 47-25 SME
	87-026-233-080	C-TR, DTA114TK		C226	87-010-260-080		CAP,E 47-25 SME
	89-213-702-010	TR, 2SB1370E		C227	87-010-196-080		C-CAP,S 0.1-25 F
	89-332-665-080	TR, 2SC3266GR		C228	87-010-196-080		C-CAP,S 0.1-25 F
	89-318-155-080	TR, 2SC1815GR		C229	87-012-361-080		C-CAP,S 0.056-25 Y
	89-327-125-080	C-TR, 2SC2712GR		C230	87-012-361-080		C-CAP,S 0.056-25 Y
	89-333-266-080	C-TR, 2SC3326B		C231	87-018-203-080		CAP,TC-U 8200P-16 Y<EEZ>
	87-026-226-080	C-TR, DTA143EK		C232	87-018-203-080		CAP,TC-U 8200P-16 Y<EEZ>
	87-026-232-080	C-TR, DTA144WK		C236	87-010-408-080		CAP,E 47-50 SME
	87-026-210-080	C-TR, DTC144EK T147		C237	87-010-197-080		C-CAP,S 0.01-25 B<EEZ>
	89-502-466-080	FET 2SK246-BL (TPE2)		C238	87-010-197-080		C-CAP,S 0.01-25 B<EEZ>
	89-111-625-080	C-TR, 2SA1162GR		C243	87-010-154-080		C-CAP,S 10P-50 CH
	89-110-155-080	TR, 2SA1015GR		C244	87-010-154-080		C-CAP,S 10P-50 CH
	89-333-317-080	TR, 2SC3331T		C250	87-010-404-080		CAP,E 4.7-50 SME
	89-109-705-080	TR, 2SA970GR<EEZ>		C303	87-012-140-080		C-CAP,S 470P-50 CH
	87-026-224-080	C-TR, DTC143XK		C304	87-012-140-080		C-CAP,S 470P-50 CH
	89-502-464-080	FET, 2SK246Y		C305	87-010-189-080		C-CAP,S 8200P-50 B
	89-318-154-080	TR, 2SC1815Y		C306	87-010-189-080		C-CAP,S 8200P-50 B
	87-026-214-080	TR, DTA114YS		C310	87-010-197-080		C-CAP,S 0.01-25 B
	89-327-143-080	C-TR, 2SC2714 (O)		C311	87-010-426-080		C-CAP,S 0.012-25 B
	89-503-025-080	C-FET, 2SK302 GR		C312	87-010-426-080		C-CAP,S 0.012-25 B
	89-502-115-080	C-FET, 2SK211GR<EEZ>		C313	87-010-192-080		C-CAP,S 0.022-50 F
	89-502-114-580	C-FET, 2SK211Y GR<EEZ>		C351	87-012-154-080		C-CAP,S 150P-50 CH
				C352	87-012-154-080		C-CAP,S 150P-50 CH
				C353	87-012-157-080		C-CAP,S 330P-50 CH
DIODE				C354	87-012-157-080		C-CAP,S 330P-50 CH
	87-020-465-080	DIODE, 1SS133		C355	87-010-260-080		CAP,E 47-25 SME
	87-027-286-080	ZENER, HZ5C1		C357	87-010-189-080		C-CAP,S 8200P-50 B
	87-002-225-010	DIODE, DBF 40C-K10		C358	87-010-189-080		C-CAP,S 8200P-50 B
	87-017-011-080	DIODE, LT 1N4003L		C361	87-010-197-080		C-CAP,S 0.01-25 B
	87-002-836-080	DIODE, 1A3-J		C362	87-010-197-080		C-CAP,S 0.01-25 B
	87-020-027-080	C-DIODE, 1SS184		C363	87-010-213-080		C-CAP,S 0.015-25 B
	87-017-173-080	ZENER, HZS11A2L		C364	87-010-213-080		C-CAP,S 0.015-25 B
	87-017-144-080	ZENER, HZS24 2		C365	87-010-192-080		C-CAP,S 0.022-50 F
	87-001-731-080	ZENER, HZS6C2L		C366	87-010-197-080		C-CAP,S 0.01-25 B
	87-017-091-080	ZENER, HZS5C1		C401	87-010-402-080		CAP,E 2.2-50 SME
	87-001-290-080	ZENER, HZS6B1L		C402	87-010-402-080		CAP,E 2.2-50 SME
				C403	87-010-182-080		C-CAP,S 2200P-50 B
				C404	87-010-182-080		C-CAP,S 2200P-50 B
				C405	87-010-197-080		C-CAP,S 0.01-25 B
MAIN C.B				C406	87-010-197-080		C-CAP,S 0.01-25 B
	BPF731	82-794-697-010	FILTER ANTI BIRDIE<EEZ>	C407	87-010-401-080		CAP,E 1-50 SME
	BPF831	87-030-105-010	FLTR, BFBM6A<EEZ>	C408	87-010-401-080		CAP,E 1-50 SME
	C101	87-010-398-090	CAP,E 2200-35V	C409	87-010-180-080		C-CAP,S 1500P-50 B
				C410	87-010-180-080		C-CAP,S 1500P-50 B

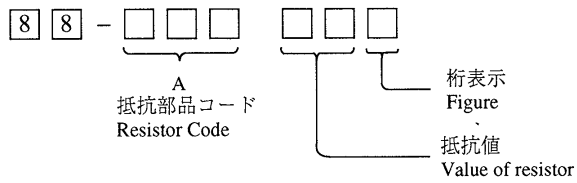
REF. NO	PART NO.	カンリ NO.	DESCRIPTION	REF. NO	PART NO.	カンリ NO.	DESCRIPTION
C411	87-010-186-080		C-CAP,S 4700P-50 B	C747	87-010-197-080		C-CAP,S 0.01-25 B
C412	87-010-186-080		C-CAP,S 4700P-50 B	C748	87-010-404-080		CAP,E 4.7-50 SME
C421	87-010-177-080		C-CAP,S 820P-50 SL	C749	87-010-405-080		CAP,E 10-50 SME
C422	87-010-177-080		C-CAP,S 820P-50 SL	C750	87-010-544-080		CAP,E 0.1-50
C451	87-012-158-080		C-CAP,S 390P-50 CH	C751	87-010-403-080		CAP,E 3.3-50 SME
C452	87-012-158-080		C-CAP,S 390P-50 CH	C752	87-010-197-080		C-CAP,S 0.01-25 B
C453	87-010-178-080		C-CAP,S 1000P-50 B	C753	87-015-632-080		C-CAP,0.015-50 BK
C455	87-010-178-080		C-CAP,S 1000P-50 B<EEZ>	C754	87-010-260-080		CAP,E 47-25 SME
C456	87-010-385-080		CAP,E 220-25 SME	C755	87-010-401-080		CAP,E 1-50 SME
C457	87-010-197-080		C-CAP,S 0.01-25 B	C756	87-010-197-080		C-CAP,S 0.01-25 B
C458	87-010-183-080		C-CAP,S 2700P-50 B	C802	87-010-154-080		C-CAP,S 10P-50 CH<HE>
C459	87-010-183-080		C-CAP,S 2700P-50 B	C802	87-010-312-080		C-CAP,S 15P-50 CH<EEZ>
C460	87-010-183-080		C-CAP,S 2700P-50 B	C804	87-010-151-080		C-CAP,S 7P-50 CH<HE>
C470	87-010-196-080		C-CAP,S 0.1-25 F	C805	87-010-147-080		C-CAP,S 3P-50 CH<EEZ>
C501	87-010-401-080		CAP,E 1-50 SME	C805	87-010-150-080		C-CAP,S 6P-50 CH<HE>
C502	87-010-401-080		CAP,E 1-50 SME	C806	87-010-145-080		C-CAP,S 1P-50 CH<HE>
C503	87-010-179-080		C-CAP,S 1200P-50 B	C806	87-010-148-080		C-CAP,S 4P-50 CH<EEZ>
C504	87-010-179-080		C-CAP,S 1200P-50 B	C807	87-010-154-080		C-CAP,S 10P-50 CH<HE>
C505	87-012-142-080		C-CAP,S 0.33-16 F	C807	87-010-315-080		C-CAP,S 27P-50 CH<EEZ>
C506	87-012-142-080		C-CAP,S 0.33-16 F	C808	87-010-322-080		C-CAP,S 100P-50 CH
C507	87-010-180-080		C-CAP,S 1500P-50 B	C809	87-010-197-080		C-CAP,S 0.01-25 B
C508	87-010-180-080		C-CAP,S 1500P-50 B	C810	87-010-197-080		C-CAP,S 0.01-25 B
C509	87-010-371-080		CAP,E 470-6.3	C811	87-010-149-080		C-CAP,S 5P-50 CH
C517	87-010-154-080		C-CAP,S 10P-50 CH	C812	87-010-313-080		C-CAP,S 18P-50 CH
C518	87-010-154-080		C-CAP,S 10P-50 CH	C813	87-010-197-080		C-CAP,S 0.01-25 B
C570	87-010-193-080		C-CAP,S 0.033-25 F	C814	87-010-197-080		C-CAP,S 0.01-25 B
C571	87-010-193-080		C-CAP,S 0.033-25 F	C818	87-010-197-080		C-CAP,S 0.01-25 B
C572	87-010-220-080		C-CAP,S 0.018-25 B	C819	87-010-197-080		C-CAP,S 0.01-25 B
C573	87-010-196-080		C-CAP,S 0.1-25 F	C820	87-010-260-080		CAP,E 47-25 SME
C590	87-010-196-080		C-CAP,S 0.1-25 F	C821	87-010-197-080		C-CAP,S 0.01-25 B
C592	87-010-404-080		CAP,E 4.7-50 SME	C822	87-010-197-080		C-CAP,S 0.01-25 B<HE>
C593	87-010-404-080		CAP,E 4.7-50 SME	C823	87-010-197-080		C-CAP,S 0.01-25 B
C594	87-010-404-080		CAP,E 4.7-50 SME	C826	87-010-197-080		C-CAP,S 0.01-25 B
C595	87-010-112-080		CAP,E 100-16	C827	87-010-145-080		C-CAP,S 1P-50 CH<EEZ>
C628	87-010-260-080		CAP,E 47-25 SME	C830	87-010-197-080		C-CAP,S 0.01-25 B
C636	87-010-404-080		CAP,E 4.7-50 SME	C831	87-010-154-080		C-CAP,S 10P-50 CH<EEZ>
C700	87-010-221-080		CAP,E 470-10	C831	87-010-151-080		C-CAP,S 7P-50 CH<HE>
C701	87-010-384-080		CAP,E 100-25 SME	C832	87-010-314-080		C-CAP,S 22P-50 CH<EEZ>
C702	87-010-404-080		CAP,E 4.7-50 SME	C833	87-018-134-010		CAP,TC-U 0.01-16 Y
C703	87-010-197-080		C-CAP,S 0.01-25 B	C834	87-010-154-080		C-CAP,S 10P-50 CH<EEZ>
C705	87-010-248-080		CAP,E 220-10 SME	C835	87-010-154-080		C-CAP,S 10P-50 CH
C706	87-010-197-080		C-CAP,S 0.01-25 B	C836	87-010-312-080		C-CAP,S 15P-50 CH
C707	87-010-197-080		C-CAP,S 0.01-25 B	C837	87-010-312-080		C-CAP,S 15P-50 CH
C708	87-010-197-080		C-CAP,S 0.01-25 B	C840	87-010-197-080		C-CAP,S 0.01-25 B
C710	87-010-312-080		C-CAP,S 15P-50 CH	C843	87-010-146-080		C-CAP,S 2P-50 CH
C711	87-010-213-080		C-CAP,S 0.015-25 B	C850	87-010-197-080		C-CAP,S 0.01-25 B<EEZ>
C712	87-010-213-080		C-CAP,S 0.015-25 B	C851	87-010-197-080		C-CAP,S 0.01-25 B<EEZ>
C715	87-010-179-080		C-CAP,S 1200P-50 B	C852	87-012-368-080		C-CAP,S 0.1-50F
C716	87-010-179-080		C-CAP,S 1200P-50 B	C941	87-010-197-080		C-CAP,S 0.01-25 B<EEZ>
C719	87-010-196-080		C-CAP,S 0.1-25 F	C944	87-010-154-080		C-CAP,S 10P-50 CH<EEZ>
C720	87-012-154-080		C-CAP,S 150P-50 CH	C944	87-010-311-080		C-CAP,S 12P-50 CH<HE>
C721	87-010-401-080		CAP,E 1-50 SME	C945	87-014-050-080		CAP,PP 510P-100 J<EEZ>
C722	87-010-401-080		CAP,E 1-50 SME	C946	87-010-401-080		CAP,E 1-50 SME
C723	87-010-405-080		CAP,E 10-50 SME	C947	87-010-154-080		C-CAP,S 10P-50 CH<EEZ>
C724	87-014-057-080		CAP,PP 1000P-100 J	C949	87-010-196-080		C-CAP,S 0.1-25 F
C725	87-010-401-080		CAP,E 1-50 SME	C950	87-010-322-080		C-CAP,S 100P-50 CH
C726	87-010-403-080		CAP,E 3.3-50 SME	C983	87-010-544-080		CAP,E 0.1-50
C727	87-010-248-080		CAP,E 220-10 SME	C990	87-010-197-080		C-CAP,S 0.01-25 B
C728	87-010-402-080		CAP,E 2.2-50 SME<EEZ>	CF741	82-794-670-010		BFU 450C4N
C729	87-010-402-080		CAP,E 2.2-50 SME<EEZ>	CF801	82-799-621-010		CF MS2-A<EEZ>
C731	87-010-197-080		C-CAP,S 0.01-25 B	CF801	87-008-261-010		FLTR,SFE10.7MA5-A<HE>
C732	87-010-197-080		C-CAP,S 0.01-25 B	CF802	87-008-261-010		FLTR,SFE10.7MA5-A
C734	87-010-322-080		C-CAP,S 100P-50 CH	CF803	87-008-261-010		FLTR,SFE10.7MA5-A<EEZ>
C741	87-010-402-080		CAP,E 2.2-50 SME	D801	87-002-730-010		VARI-CAP,SVC203SPA
C742	87-012-157-080		C-CAP,S 330P-50 CH<HE>	D802	87-002-730-010		VARI-CAP,SVC203SPA
C742	87-012-158-080		C-CAP,S 390P-50 CH<EEZ>	D803	87-002-730-010		VARI-CAP,SVC203SPA
C743	87-010-382-080		CAP,E 22-25 SME	D804	87-002-730-010		VARI-CAP,SVC203SPA<EEZ>
C744	87-010-197-080		C-CAP,S 0.01-25 B	J250	87-049-855-010		JACK,6.3 W/S
C745	87-010-197-080		C-CAP,S 0.01-25 B	J254	87-033-226-010		TERMINAL,SP 4P (JT)<HE>
C746	87-010-401-080		CAP,E 1-50 SME	J254	87-033-227-010		TERMINAL,SP 4P R (Z)<EEZ>

REF. NO	PART NO.	カリ NO.	DESCRIPTION	REF. NO	PART NO.	カリ NO.	DESCRIPTION
J652	80-MT3-616-010		JACK, PIN 2P	C711	87-010-187-080		C-CAP, S 5600P-50 B<HE>
J801	81-631-646-010		ANT TERM 2P PAL<EEZ>	C712	87-010-178-080		C-CAP, S 1000P-50 B<HE>
J801	82-NF5-621-010		ANT TERM JBT 0222<HE>	C713	87-010-196-080		C-CAP, S 0.1-25 F<HE>
L231	87-005-366-010		COIL, 1UH<EEZ>	C714	87-010-260-040		CAP, E 47-25 SME<HE>
L232	87-005-366-010		COIL, 1UH<EEZ>	C717	87-010-956-080		C-CAP, S 0.068-25 B<HE>
L401	87-003-131-080		COIL, 10MH J	C718	87-010-187-080		C-CAP, S 5600P-50 B<HE>
L402	87-003-131-080		COIL, 10MH J	C719	87-010-178-080		C-CAP, S 1000P-50 B<HE>
L451	87-007-300-010		COIL, OSC BIAS 85K	C720	87-010-401-040		CAP, E 1-50 SME<HE>
L741	81-631-611-010		COIL, QUAD (SINGLE)	C721	87-010-186-080		C-CAP, S 4700P-50 B<HE>
L742	87-008-491-010		FLTR PACFAZ 450	C722	87-010-263-040		CAP, E 100-10<HE>
L801	87-006-249-010		COIL, ANT FM3/4TS, L4	C723	87-010-196-080		C-CAP, S 0.1-25 F<HE>
L802	87-006-254-010		COIL, ANT FM2-3/4TS, S	C724	87-012-157-080		C-CAP, S 330P-50 CH<HE>
L803	87-006-244-010		COIL, RF FM 3-1/2T, L4	C725	87-012-157-080		C-CAP, S 330P-50 CH<HE>
L804	87-006-250-010		COIL, RF FM 3-1/2TS, L4	C726	87-010-374-040		CAP, E 47-10<HE>
L805	87-003-098-050		COIL, 2.2UH RA	FC104	83-NE2-690-010		CABLE, FFC 1.25-10P
L806	87-008-427-010		COIL, FMIFT (4T)	FL101	83-NEA-631-010		FL, 7BT-199GK
L807	87-006-205-010		COIL, OSC FM (7K)	J501	82-NF7-630-010		JACK, 3.5 MO
L831	87-006-250-010		COIL, RF FM 3-1/2TS, L4<EEZ>	L701	87-005-454-080		COIL, 680UH FLR50 K<HE>
L832	87-003-098-050		COIL, 2.2UH RA	S301	87-036-215-080		SW, TACT EVQ21404M
L941	87-006-234-010		COIL, ANT LW S<EEZ>	S302	87-036-215-080		SW, TACT EVQ21404M
L942	87-007-323-010		COIL, OSC LW S<EEZ>	S303	87-036-215-080		SW, TACT EVQ21404M
L981	82-NT3-632-010		AM PACK 1, SAG<HE>	S304	87-036-215-080		SW, TACT EVQ21404M
L981	87-042-147-010		AM PACK 4<EEZ>	S305	87-036-215-080		SW, TACT EVQ21404M
R105	87-022-050-080		RESIS METAL 1W-0.22J	S306	87-036-215-080		SW, TACT EVQ21404M
R106	87-022-050-080		RESIS METAL 1W-0.22J	S307	87-036-215-080		SW, TACT EVQ21404M
R243	87-022-184-080		RES METAL 0.33-1W	S308	87-036-215-080		SW, TACT EVQ21404M
R244	87-022-184-080		RES METAL 0.33-1W	S309	87-036-215-080		SW, TACT EVQ21404M
SFR451	87-024-173-080		SFR 22K DIA6 V	S310	87-036-215-080		SW, TACT EVQ21404M
SFR452	87-024-173-080		SFR 22K DIA6 V	S311	87-036-215-080		SW, TACT EVQ21404M
SFR721	87-024-171-080		SFR 4.7K DIA6 V	S312	87-036-215-080		SW, TACT EVQ21404M
SFR722	87-024-174-080		SFR33K DIA6 V	S313	87-036-215-080		SW, TACT EVQ21404M
TC701	87-011-221-080		TRIMER, 30P VCT51	S314	87-036-215-080		SW, TACT EVQ21404M
TC801	87-011-219-080		CAP TRIMMER 10P VCT	S315	87-036-215-080		SW, TACT EVQ21404M
TC802	87-011-219-080		CAP TRIMMER 10P VCT	S317	87-036-215-080		SW, TACT EVQ21404M
TC803	87-011-219-080		CAP TRIMMER 10P VCT<EEZ>	VR501	81-MX4-637-010		VR, 10KA RK11K1130
TC942	87-011-221-080		TRIMER, 30P VCT51<EEZ>	VR502	82-VP2-636-010		VR, SL10K B<HE>
W101	83-NE2-618-010		F-CABEL, 5P-2.5	X201	87-008-394-080		CF CST 4.19 MGW
W102	83-NE2-691-010		F-CABEL, 6P-2.0				
X701	87-030-163-010		VIB, XTAL 7.2MHZ (NDK)				
				CD C.B			
FRONT C.B				C1	87-010-178-080		C-CAP, S 1000P-50 B
				C2	87-010-263-080		CAP, E 100-10 SME 5X11
C201	87-010-178-080		C-CAP, S 1000P-50 B	C3	87-010-265-080		CAP, E 33-16 SME
C202	87-010-196-080		C-CAP, S 0.1-25 F	C5	87-010-154-080		C-CAP, S 10P-50 CH
C203	87-010-404-040		CAP, E 4.7-50 SME	C6	87-010-198-080		C-CAP, S 0.022-25 B
C204	87-010-404-040		CAP, E 4.7-50 SME				
C205	87-010-263-040		CAP, E 100-10	C7	87-010-196-080		C-CAP, S 0.1-25 F
				C10	87-010-182-080		C-CAP, S 2200P-50 B
C206	87-010-401-040		CAP, E 1-50 SME	C11	87-010-196-080		C-CAP, S 0.1-25 F
C207	87-010-401-040		CAP, E 1-50 SME	C12	87-010-196-080		C-CAP, S 0.1-25 F
C208	87-010-248-040		CAP, E 220-10 SME	C13	87-010-196-080		C-CAP, S 0.1-25 F
C209	87-010-196-080		C-CAP, S 0.1-25 F				
C210	87-010-405-040		CAP, E 10-50 SME	C14	87-010-404-080		CAP, E 4.7-50 SME
				C15	87-010-193-080		C-CAP, S 0.033-25 F
C211	87-010-408-040		CAP-E 47-50 SME	C16	87-010-197-080		C-CAP, S 0.01-25 B
C213	87-010-196-080		C-CAP, S 0.1-25 F	C17	87-010-263-080		CAP, E 100-10 SME 5X11
C501	87-010-248-040		CAP, E 220-10 SME	C18	87-010-197-080		C-CAP, S 0.01-25 B
C502	87-010-401-040		CAP, E 1-50 SME				
C503	87-010-544-080		CAP, E 0.1-50	C19	87-010-402-080		CAP, E 2.2-50 SME
				C20	87-010-265-080		CAP, E 33-16 SME
C504	87-010-402-040		CAP, E 2.2-50 SME	C21	87-010-263-080		CAP, E 100-10 SME 5X11
C505	87-010-405-040		CAP, E 10-50 SME	C22	87-010-197-080		C-CAP, S 0.01-25 B
C506	87-012-156-080		C-CAP, S 220P-50 CH	C23	87-010-193-080		C-CAP, S 0.033-25 F
C507	87-010-545-040		CAP, E 0.22-50 SME				
C508	87-012-155-080		C-CAP, S 180P-50 CH	C24	87-010-197-080		C-CAP, S 0.01-25 B
				C25	87-010-193-080		C-CAP, S 0.033-25 F
C509	87-010-183-080		C-CAP, S 2700P-50 B	C26	87-010-197-080		C-CAP, S 0.01-25 B
C510	87-010-401-040		CAP, E 1-50 SME	C28	87-010-196-080		C-CAP, S 0.1-25 F
C511	87-010-196-080		C-CAP, S 0.1-25 F	C29	87-010-263-080		CAP, E 100-10 SME 5X11
C512	87-010-178-080		C-CAP, S 1000P-50 B				
C513	87-010-178-080		C-CAP, S 1000P-50 B	C30	87-010-992-080		C-CAP, S 0.047-25 B
				C31	87-010-186-080		C-CAP, S 4700P-50 B
C514	87-010-994-080		C-CAP, S 680P-50 CH	C32	87-010-263-080		CAP, E 100-10 SME 5X11
C515	87-010-178-080		C-CAP, S 1000P-50 B	C33	87-010-197-080		C-CAP, S 0.01-25 B
C710	87-010-196-080		C-CAP, S 0.1-25 F<HE>	C34	87-012-156-080		C-CAP, S 220P-50 CH

REF. NO	PART NO.	カリ NO.	DESCRIPTION	REF. NO	PART NO.	カリ NO.	DESCRIPTION
C35	87-010-187-080		C-CAP, S 5600P-50 B	C610	87-012-154-080		C-CAP, S 150P-50 CH
C36	87-010-404-080		CAP, E 4.7-50 SME	C611	87-010-184-080		C-CAP, S 3300P-50 B
C37	87-010-197-080		C-CAP, S 0.01-25 B	C612	87-010-184-080		C-CAP, S 3300P-50 B
C38	87-010-312-080		C-CAP, S 15P-50 CH	C613	87-012-154-080		C-CAP, S 150P-50 CH
C39	87-010-312-080		C-CAP, S 15P-50 CH	C614	87-012-154-080		C-CAP, S 150P-50 CH
C43	87-010-318-080		C-CAP, S 47P-50 CH	C615	87-012-365-080		C-CAP, S 0.027-25V BK
C44	87-010-318-080		C-CAP, S 47P-50 CH	C616	87-012-365-080		C-CAP, S 0.027-25V BK
C45	87-010-318-080		C-CAP, S 47P-50 CH	C617	87-010-320-080		C-CAP, S 68P-50 CH
C46	87-010-318-080		C-CAP, S 47P-50 CH	C618	87-010-320-080		C-CAP, S 68P-50 CH
C47	87-010-318-080		C-CAP, S 47P-50 CH	C619	87-010-426-080		C-CAP, S 0.012-25 B
C48	87-010-318-080		C-CAP, S 47P-50 CH	C620	87-010-426-080		C-CAP, S 0.012-25 B
C49	87-010-197-080		C-CAP, S 0.01-25 B	C621	87-010-180-080		C-CAP, S 1500P-50 B
C50	87-010-248-080		CAP, E 220-10 SME	C622	87-010-180-080		C-CAP, S 1500P-50 B
C51	87-010-405-080		CAP, E 10-50 SME	C623	87-010-426-080		C-CAP, S 0.012-25 B
C52	87-010-405-080		CAP, E 10-50 SME	C624	87-010-426-080		C-CAP, S 0.012-25 B
C53	87-010-428-080		C-CAP, S 0.015-25 B	C625	87-010-401-040		CAP, E 1-50 SME
C54	87-010-428-080		C-CAP, S 0.015-25 B	C626	87-010-401-040		CAP, E 1-50 SME
C55	87-010-178-080		C-CAP, S 1000P-50 B	C627	87-010-192-080		C-CAP, S 0.022-50 F
C56	87-010-178-080		C-CAP, S 1000P-50 B	C628	87-010-196-080		C-CAP, S 0.1-25 F
C57	87-010-404-080		CAP, E 4.7-50 SME	C631	87-010-197-080		C-CAP, S 0.01-25 B
C58	87-010-196-080		C-CAP, S 0.1-25 F	MVR601	82-NF7-676-010		VR, 50KEX2 RK16812 MG
C59	87-010-221-080		CAP, E 470-10	SFR401	87-024-169-080		SFR, 2.2K DIA6 V
C60	87-010-197-080		C-CAP, S 0.01-25 B				
C61	87-010-196-080		C-CAP, S 0.1-25 F				
C62	87-010-992-080		C-CAP, S 0.047-25 B				
C64	87-010-196-080		C-CAP, S 0.1-25 F	AC2 C.B			
C65	87-010-197-080		C-CAP, S 0.01-25 B	△PT101	82-NF7-622-010		PT, 2NF7 EK<EEZ>
C66	87-010-221-080		CAP, E 470-10	△PT101	82-NF7-621-010		PT, 2NF7 H<HE>
C67	87-010-196-080		C-CAP, S 0.1-25 F				
C68	87-012-142-080		C-CAP, S 0.33-16 F	△PT C.B<HE>			
C69	87-010-197-080		C-CAP, S 0.01-25 B	△	87-033-147-010		CLAMP, FUSE<HE>
C70	87-010-235-010		CAP, E 470-16	△F101	87-035-412-010		FUSE, T1.25A 250V UL<HE>
C71	87-010-197-080		C-CAP, S 0.01-25 B	△SW101	87-036-235-010		SW, SL ESD 269<HE>
C72	87-010-221-080		CAP, E 470-10				
C75	87-010-196-080		C-CAP, S 0.1-25 F	AC1 C.B<EEZ>			
C76	87-010-248-080		CAP, E 220-10 SME	△	87-033-213-080		CLAMP FUSE SMK<EEZ>
C77	87-010-197-080		C-CAP, S 0.01-25 B	△F101	87-035-359-010		FUSE, 500MA 250V T E<EEZ>
C78	87-010-197-080		C-CAP, S 0.01-25 B				
C79	87-010-197-080		C-CAP, S 0.01-25 B				
C80	87-010-263-080		CAP, E 100-10 SME 5X11	HEAD FLEX C.B			
C81	87-010-197-080		C-CAP, S 0.01-25 B	PH	S6-201-070-260		P.HEAD P-5044BD-24F
C82	87-010-197-080		C-CAP, S 0.01-25 B	S6	S6-403-020-040		SLIDE SWITCH R663167
CON1	83-CT2-631-010		CONN ASSY, 8P CD1				
CON2	83-CT2-632-010		CONN ASSY, 8P CD2	DRIVE C.B			
CON3	83-NEA-634-010		CONN ASSY, 6P	M1	87-045-356-019		MOT, RF-310TA 30
CON4	83-NEA-633-010		CONN ASSY, 5P	M2	87-045-358-019		MOT, RF-310TA 43
L1	87-003-102-080		COIL, 10UH	SW1	87-036-340-019		SW, LEAF LSA-1121
SFR1	87-024-174-080		SFR, 33K DIA6 V				
SFR2	87-024-175-080		SFR, 47K DIA6 V	MOTOR CD C.B			
SFR3	87-024-173-080		SFR, 22K DIA6 V	M1	87-045-305-019		MOTOR, RF-500TB
X1	81-592-641-010		CERALOCK 16.93MX	SW1	87-036-110-019		SW, PUSH SPPB 62
				SW2	87-036-110-019		SW, PUSH SPPB 62
KEY C.B							
S318	87-036-215-080		SW, TACT EVQ21404M				
S319	87-036-215-080		SW, TACT EVQ21404M				
S320	87-036-215-080		SW, TACT EVQ21404M				
S321	87-036-215-080		SW, TACT EVQ21404M				
MVR C.B							
C401	87-010-384-040		CAP, E 100-25 SME				
C402	87-010-197-080		C-CAP, S 0.01-25 B				
C601	87-010-197-080		C-CAP, S 0.01-25 B				
C602	87-010-197-080		C-CAP, S 0.01-25 B				
C605	87-010-154-080		C-CAP, S 10P-50 CH				
C606	87-010-154-080		C-CAP, S 10P-50 CH				
C607	87-010-384-040		CAP, E 100-25 SME				
C608	87-010-248-040		CAP, E 220-10 SME				
C609	87-012-154-080		C-CAP, S 150P-50 CH				

○ チップ抵抗部品コード / CHIP RESISTOR PART CODE

チップ抵抗部品コードの成り立ち
Chip Resistor Part Coding



チップ抵抗
Chip resistor

Wattage 容量	Type 種類	Tolerance 許容誤差	Symbol 記号	Dimensions / 寸法 (mm)			Resistor Code: A 抵抗コード : A	
				Form / 外形	L	W		t
1/32W	1608	±5%	CJ		1.6	0.8	0.35	108
1/10W	2125	±5%	CJ		2	1.25	1.45	118
1/8W	3126	±5%	CJ		3.2	1.6	0.5 ~0.7	128

TRANSISTOR ILLUSTRATION



ECB

2SA952
2SA970
2SA1015
2SA1318



SGD

2SK246



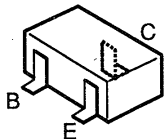
ECB

2SA933S
DTA114YS



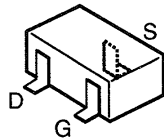
BCE

2SB1370



E

2SA1162
2SC2712
2SC2714
2SC3326
DTA114TK

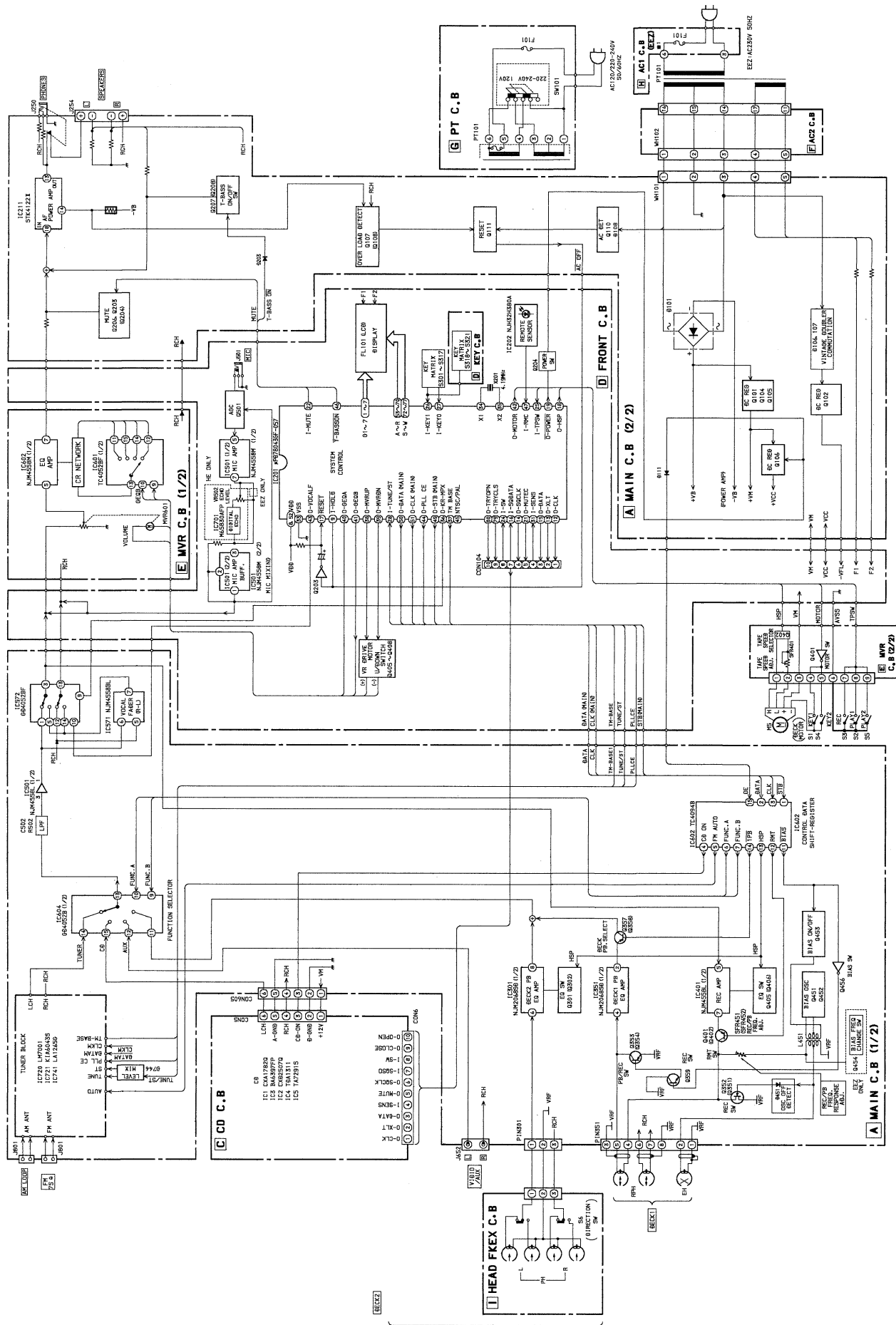


G

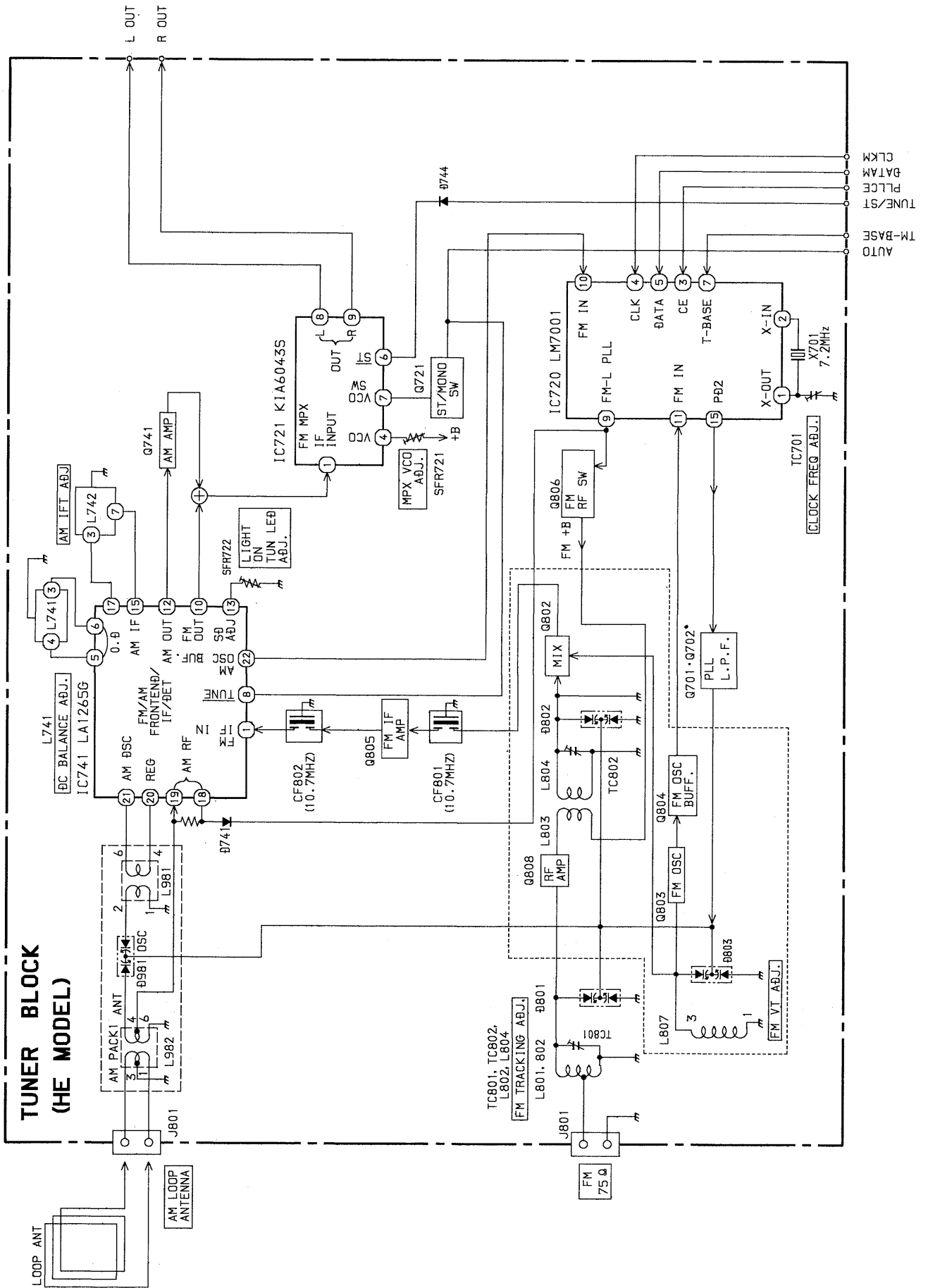
2SK211
2SK302

DTA143EK
DTA144WK
DTC124XK
DTC143XK
DTC144EK

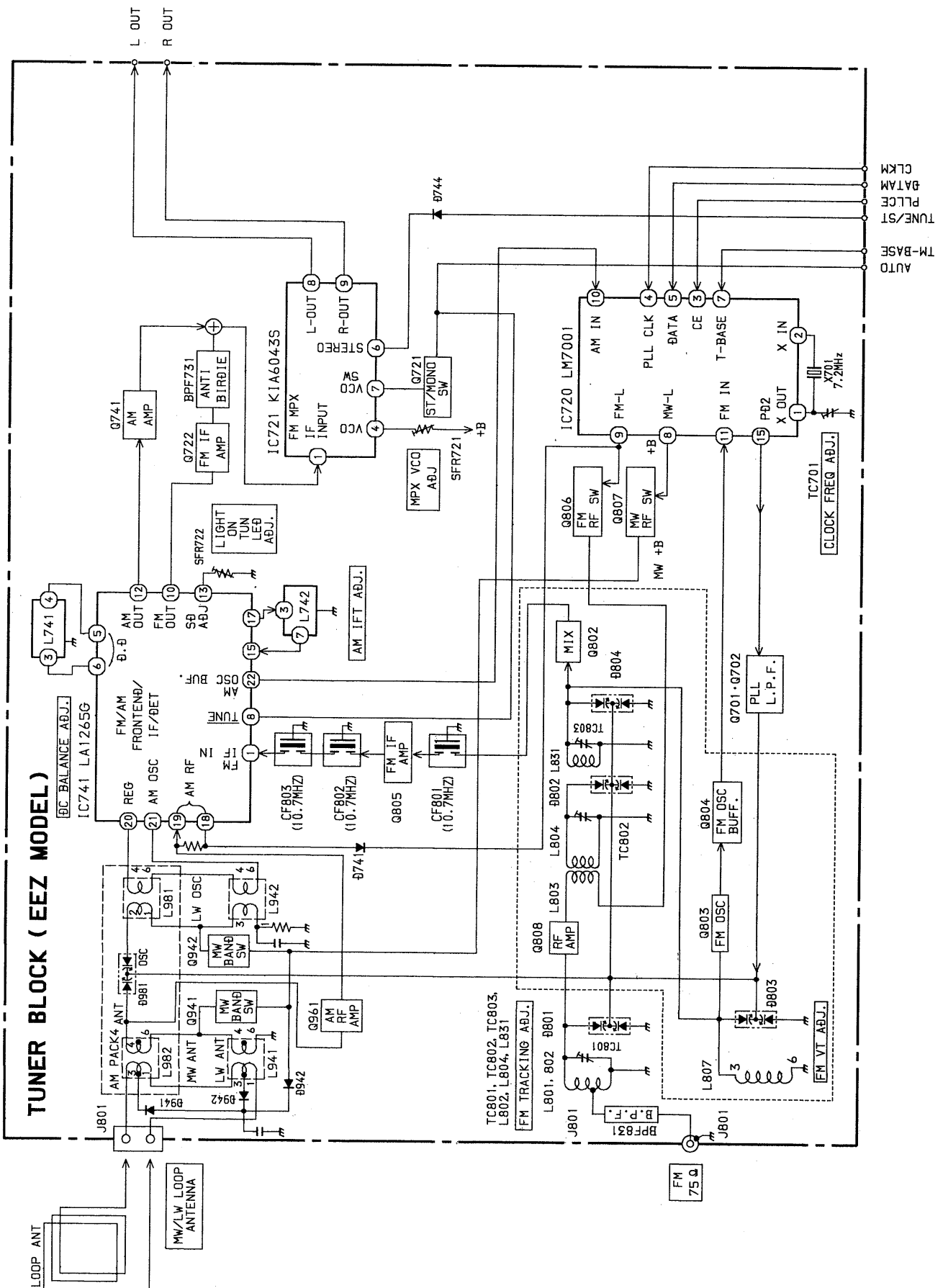
BLOCK DIAGRAM-1 (MAIN)



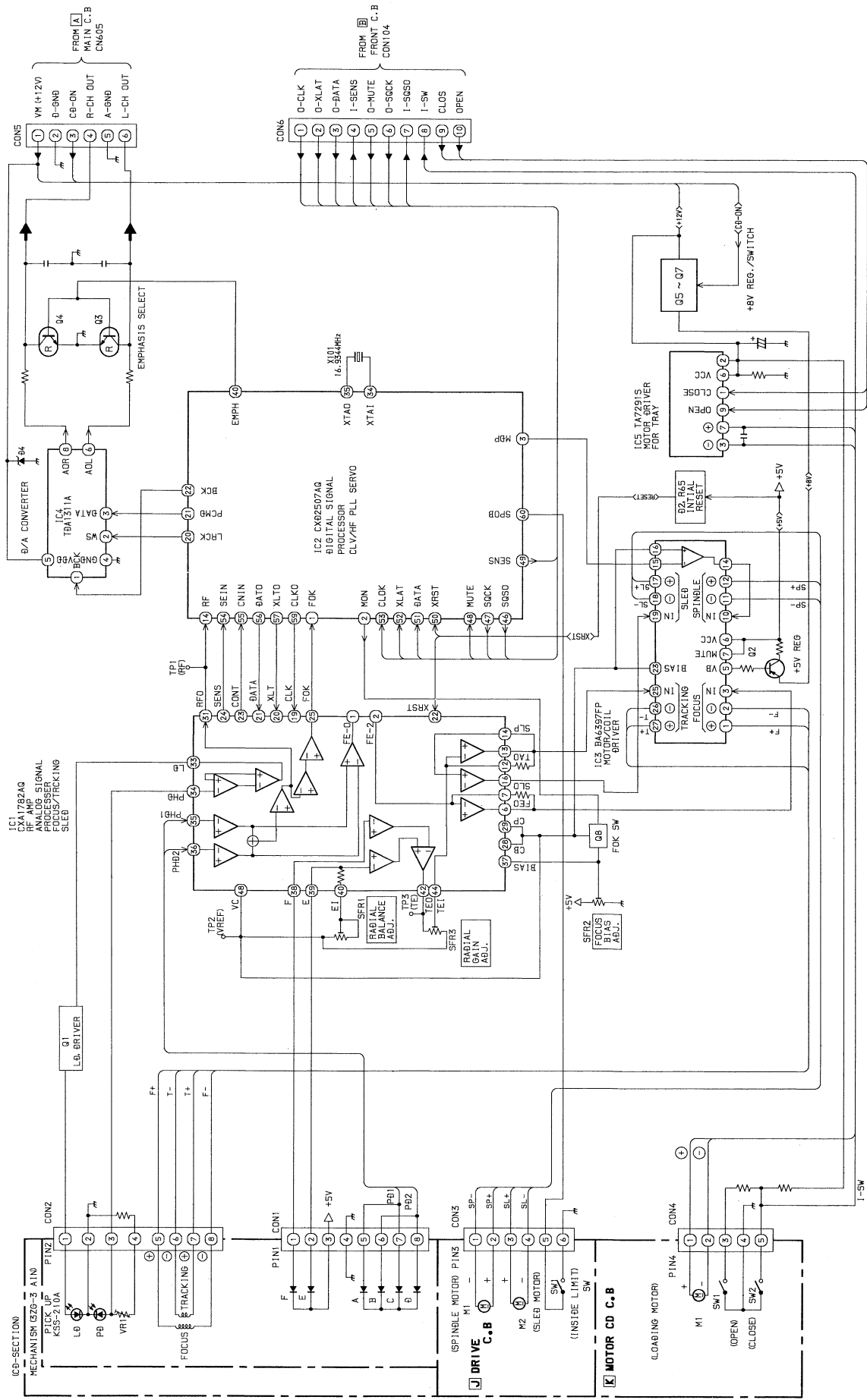
BLOCK DIAGRAM-2 (TUNER: HE)



BLOCK DIAGRAM-3 (TUNER: EEZ)



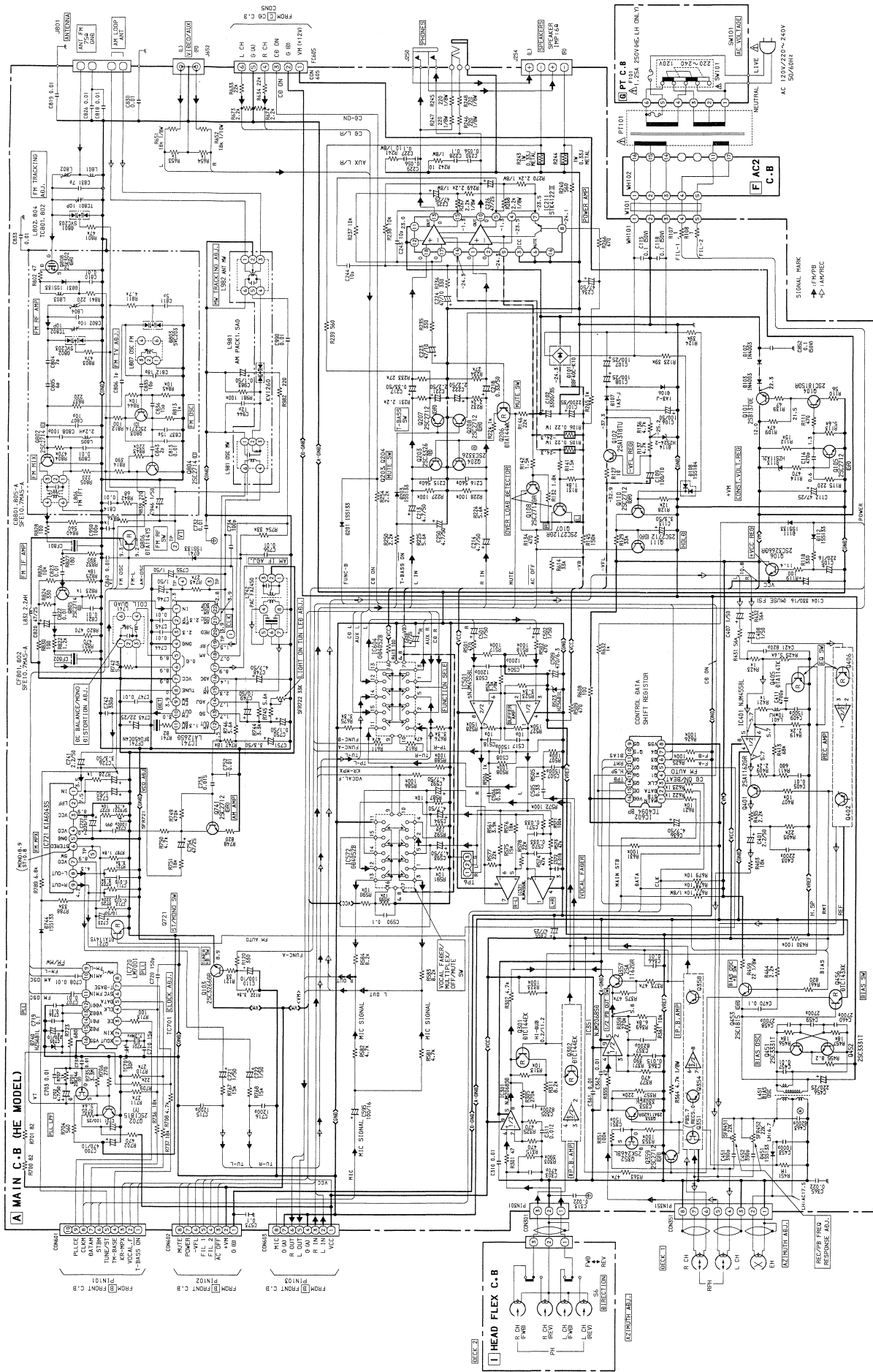
BLOCK DIAGRAM-4 (CD)



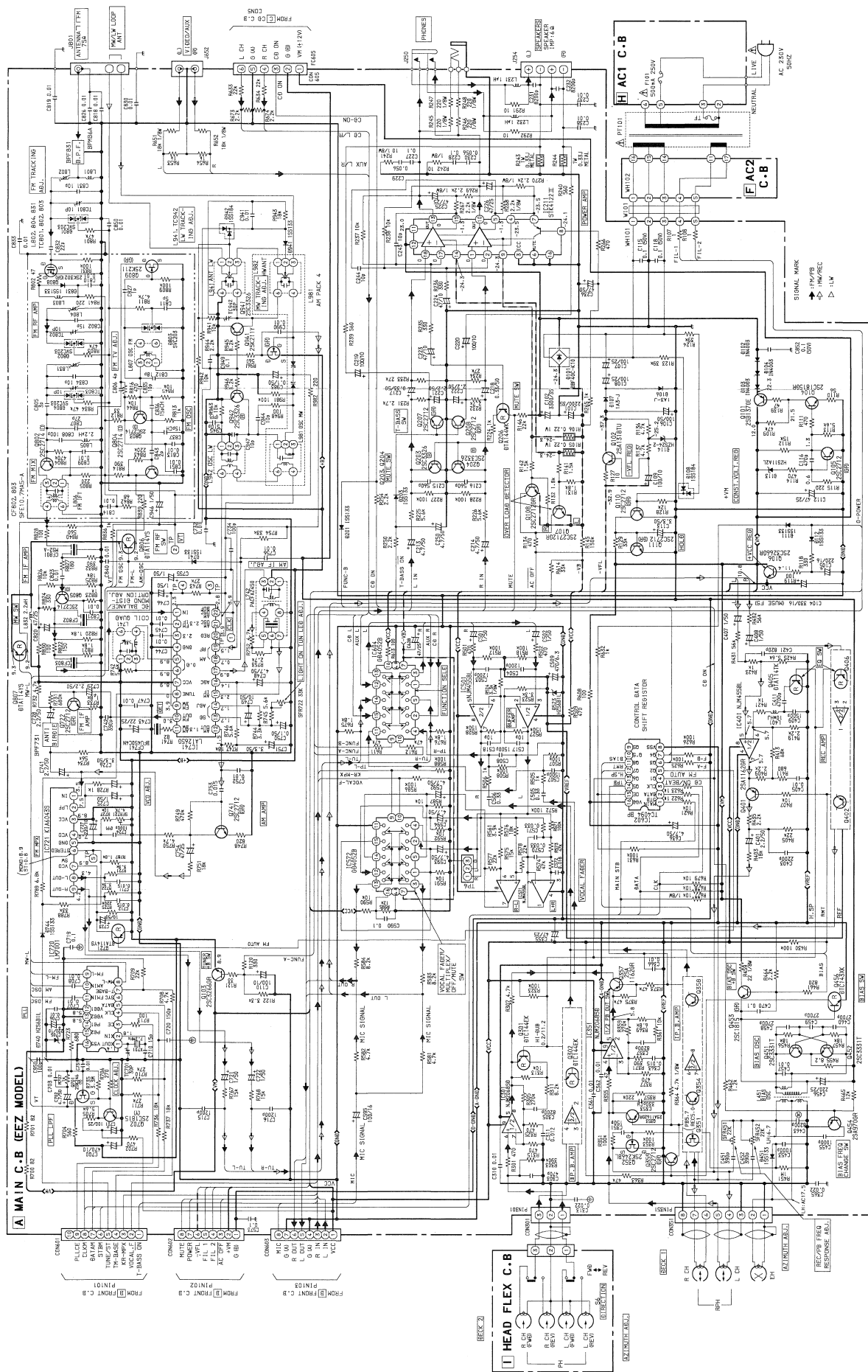
A MAIN C.B (HE MODEL)



SCHEMATIC DIAGRAM-1 (MAIN: HE)

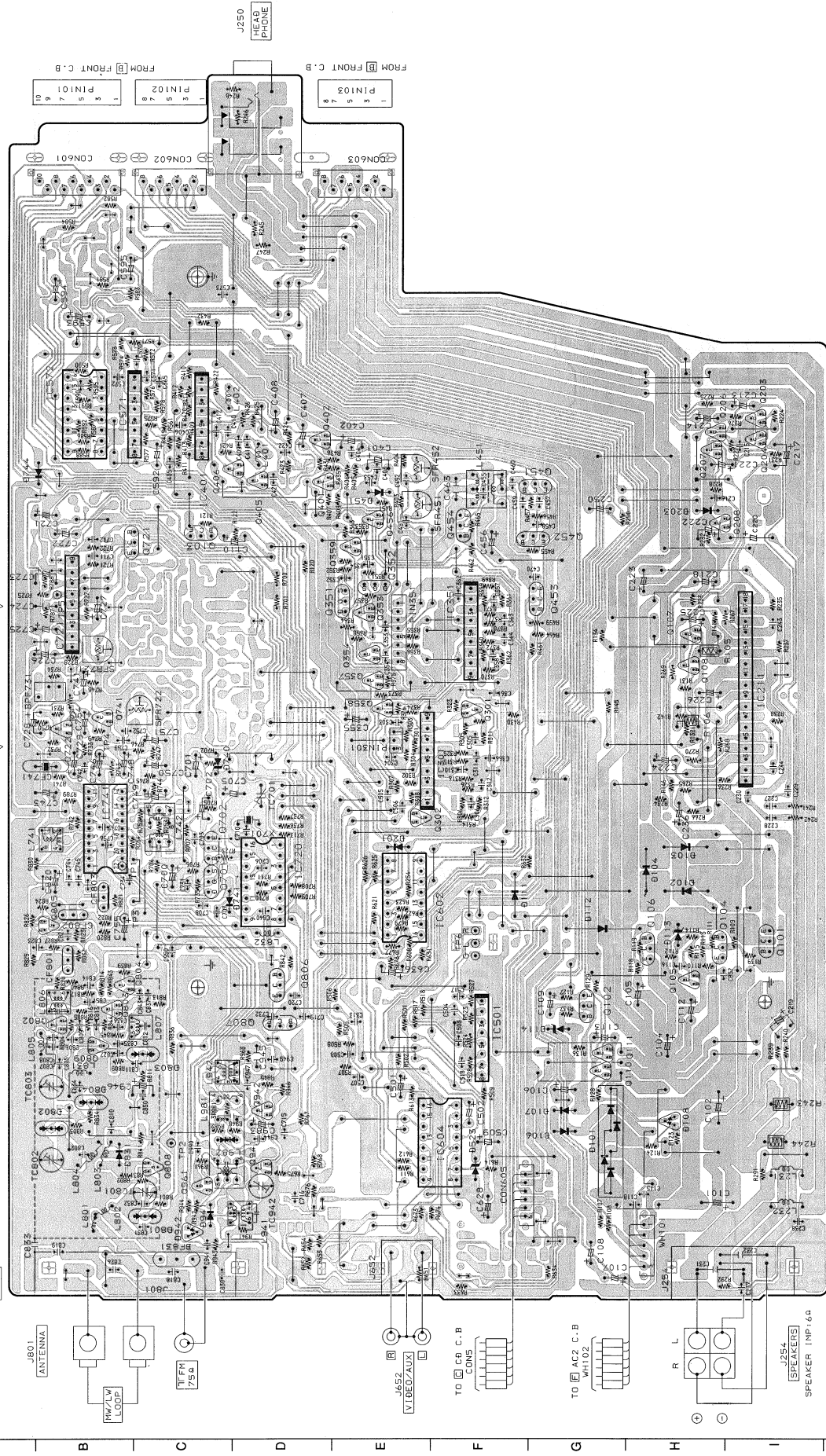


SCHEMATIC DIAGRAM-2 (MAIN: EEZ)



A MAIN C.B. (EEZ MODEL)

FROM HEAD FLEX C.B. FROM SECT. 1 RP/H/EH
 CONZ01 3 TO PINZ01
 CONZ01 8 TO PINZ01



FROM FRONT C.B. FROM FRONT C.B. FROM FRONT C.B.
 PIN103 5 5 5
 PIN102 5 5 5
 PIN101 5 5 5

CON601
 CON602
 CON603

J250 HEADPHONE

J652 VIDEO/AUX

TO CB C.B. CONS

TO AC C.B. WH102

J254 SPEAKERS

J254 SPEAKERS TRP-64

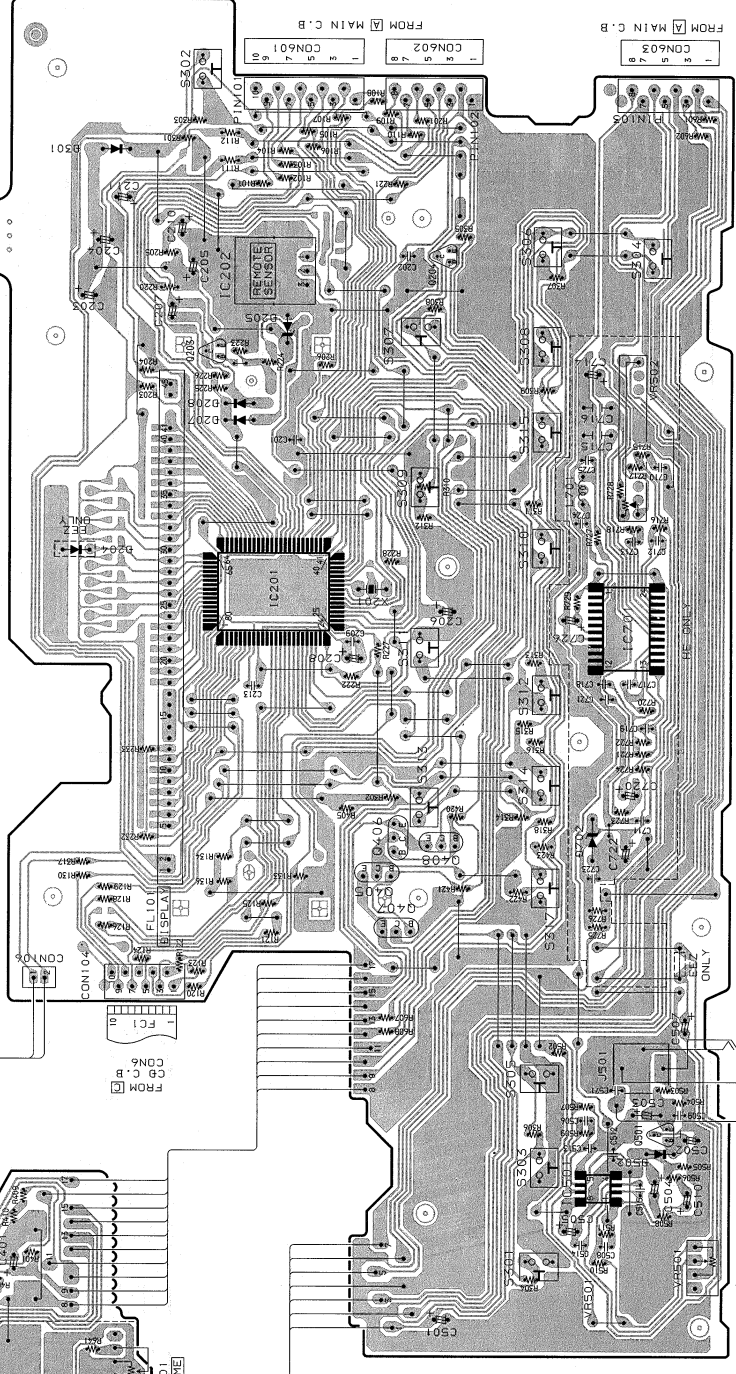
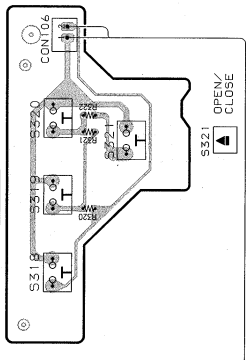
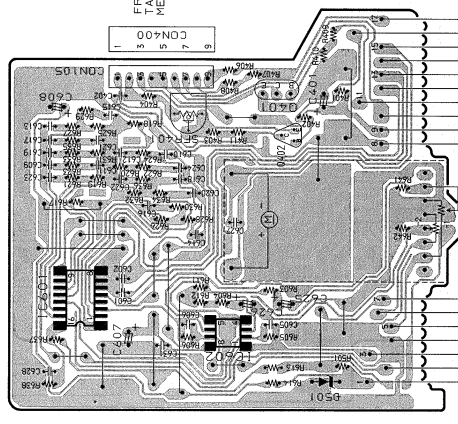
J254 SPEAKERS

J254 SPEAKERS

E MVR C.B

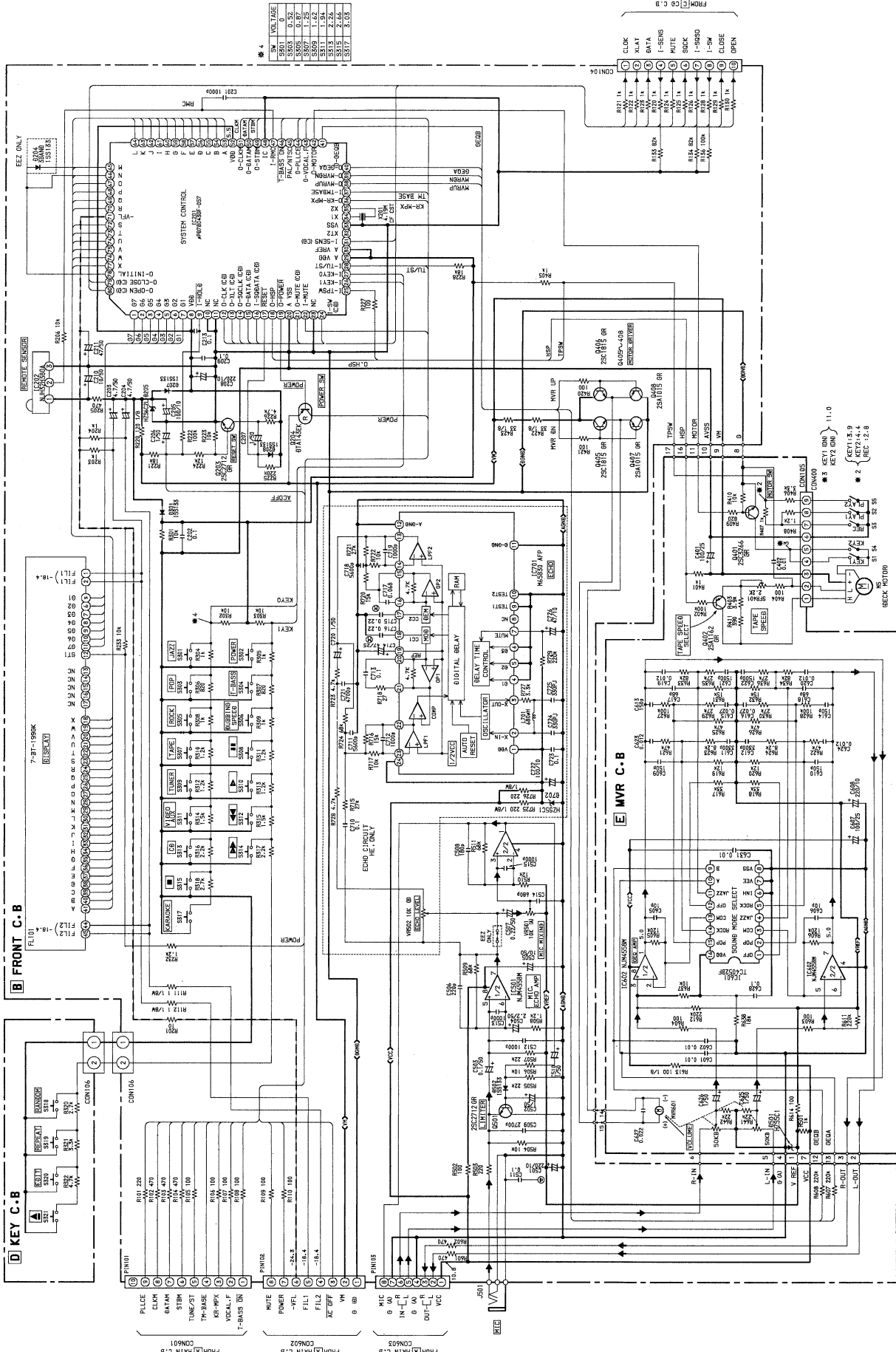
D KEY C.B

B FRONT C.B



- VR501 [RFC MIXING]
- VR502 [ELECTRONIC GRAPHIC EQUALIZER]
- VR503 [JAZZ]
- VR504 [POP]
- VR505 [ROCK]
- VR506 [CLASSICAL]
- VR507 [TUNING/PRESET]
- VR508 [CLEAR]
- VR509 [TUNER BAND]
- VR510 [VIDEO/AUX]
- VR511 [TAPES]
- VR512 [DUBBING SPEED]
- VR513 [POWER]
- VR514 [UP]
- VR515 [DOWN]
- VR516 [REPEAT]
- VR517 [EDIT]
- VR518 [RANDOM]
- VR519 [OPEN/ CLOSE]
- VR520 [T-BASS]
- VR521 [ECHO LEVEL]
- VR522 [HE ONLY]
- VR523 [KARAOKE VOCAL FABER/MULTI-PLEX/OFF]
- VR524 [KARAOKE UP]
- VR525 [KARAOKE DOWN]
- VR526 [CD]
- VR527 [TUNING/PRESET]
- VR528 [CLEAR]
- VR529 [ECHO LEVEL]
- VR530 [T-BASS]
- VR531 [HE ONLY]
- VR532 [KARAOKE VOCAL FABER/MULTI-PLEX/OFF]
- VR533 [KARAOKE UP]
- VR534 [KARAOKE DOWN]
- VR535 [CD]
- VR536 [TUNER BAND]
- VR537 [VIDEO/AUX]
- VR538 [TAPES]
- VR539 [DUBBING SPEED]
- VR540 [POWER]

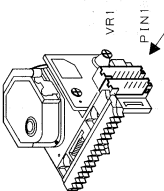
SCHEMATIC DIAGRAM-3 (FRONT)



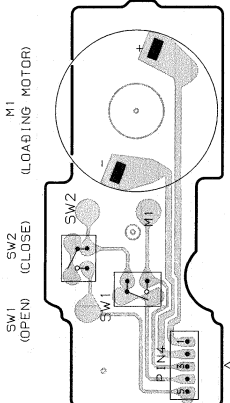
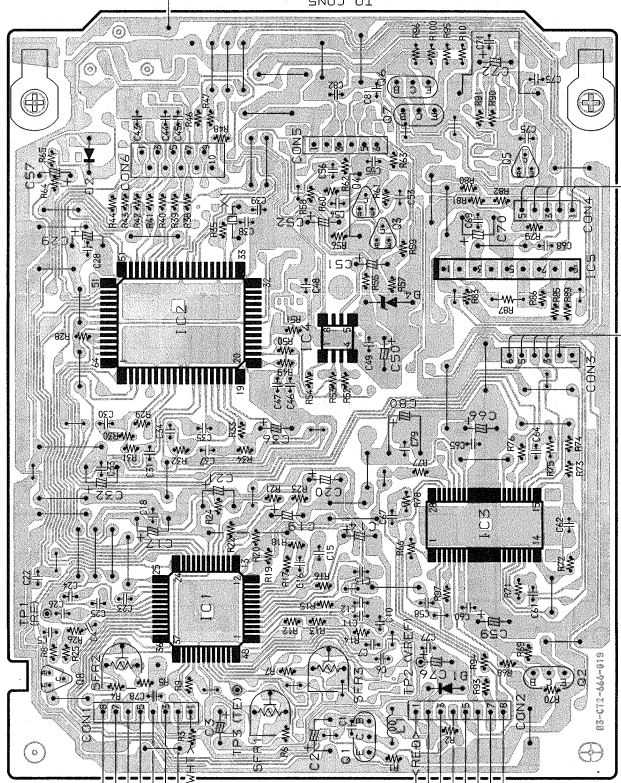
1 2 3 4 5 6 7 8 9 10 11 12 13 14

A B C D E F G H I J K

PICK UP ASSY

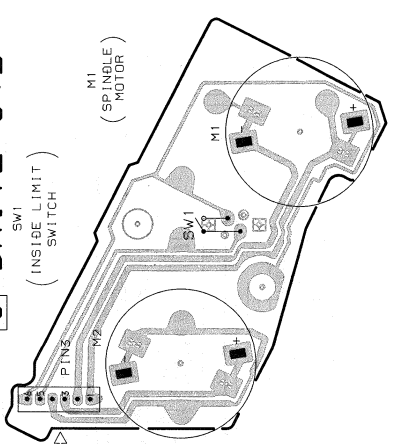


C CD C.B

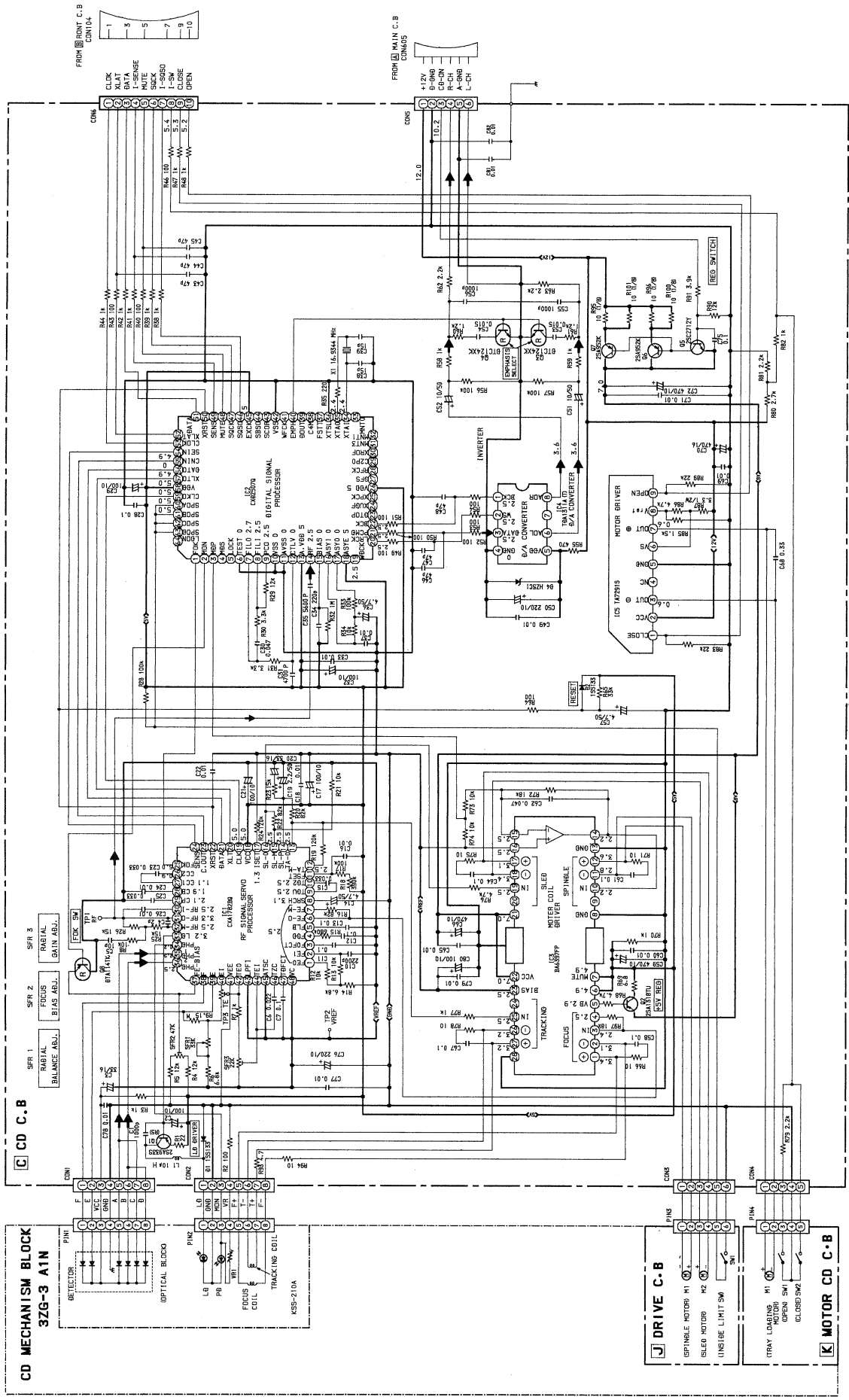


K MOTOR CD C.B

J DRIVE C.B



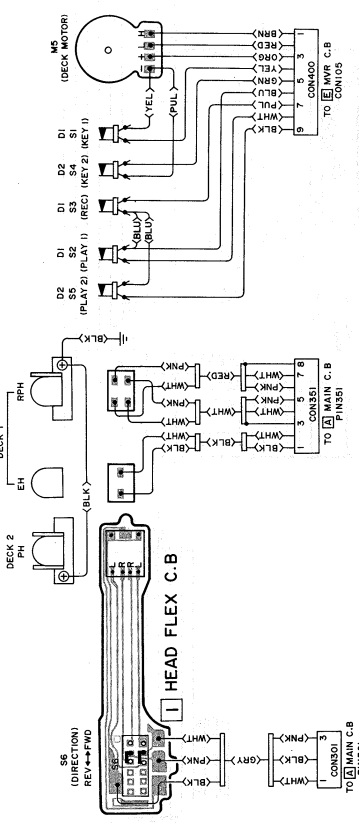
SCHEMATIC DIAGRAM-4 (CD)



SIGNAL ← CD PLAY

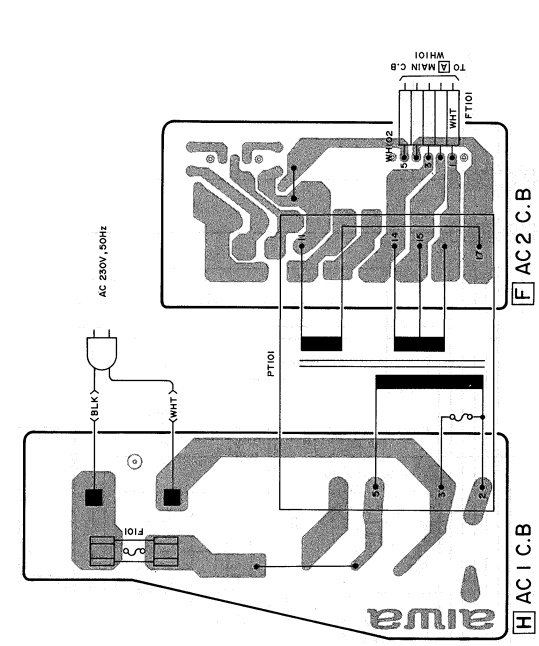
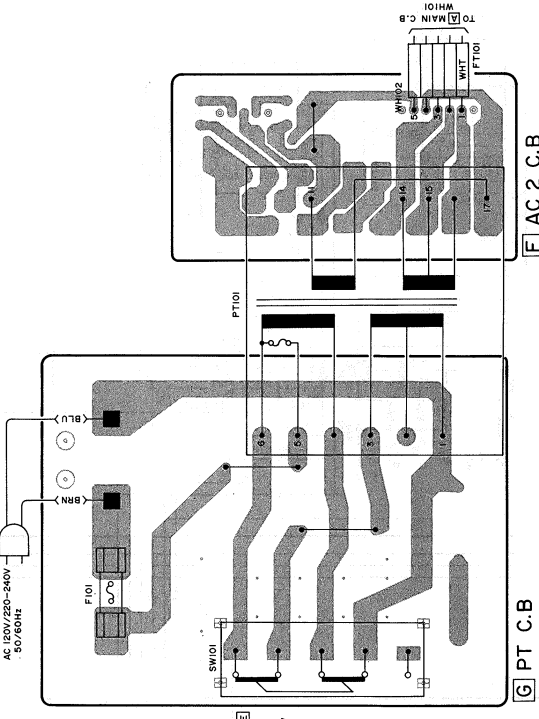
WIRING-5 (DECK, POWER)

1 2 3 4 5 6 7 8 9 10 11 12 13 14



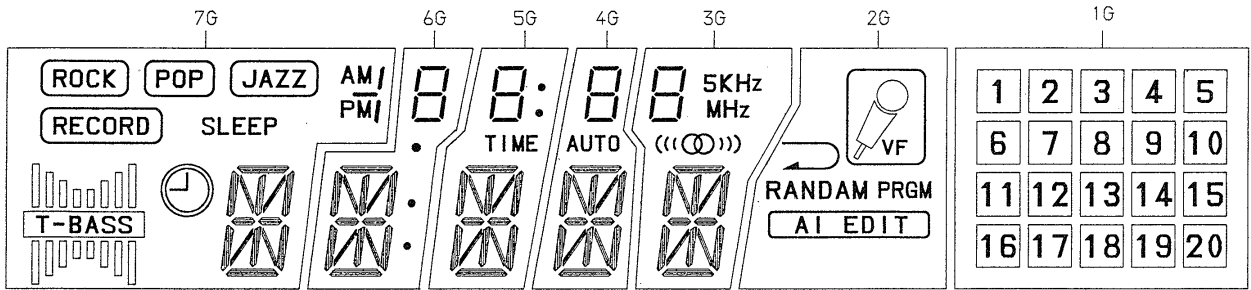
HE MODEL

EEZ MODEL



FL (7BT-199GK) GRID ASSIGNMENT / ANODE CONNECTION

GRID ASSIGNMENT

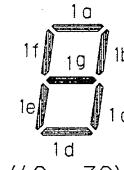


ALWAYS LIGHT ON
ROCK POP JAZZ
T-BASS

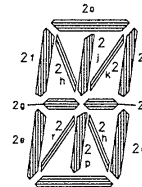
(7G)

S1
AI EDIT

(2G)



(6G ~ 3G)

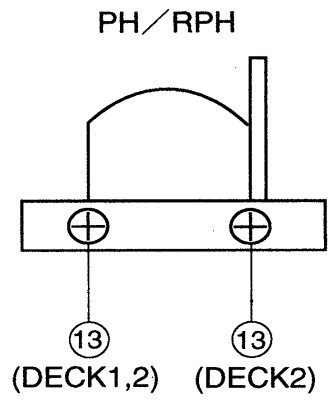
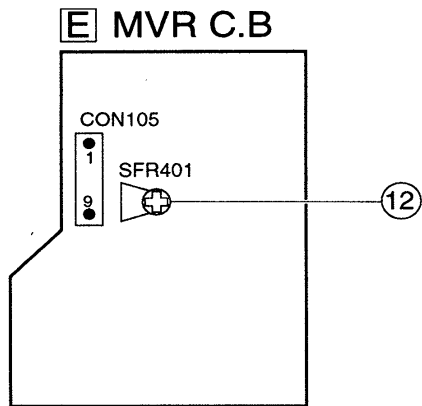
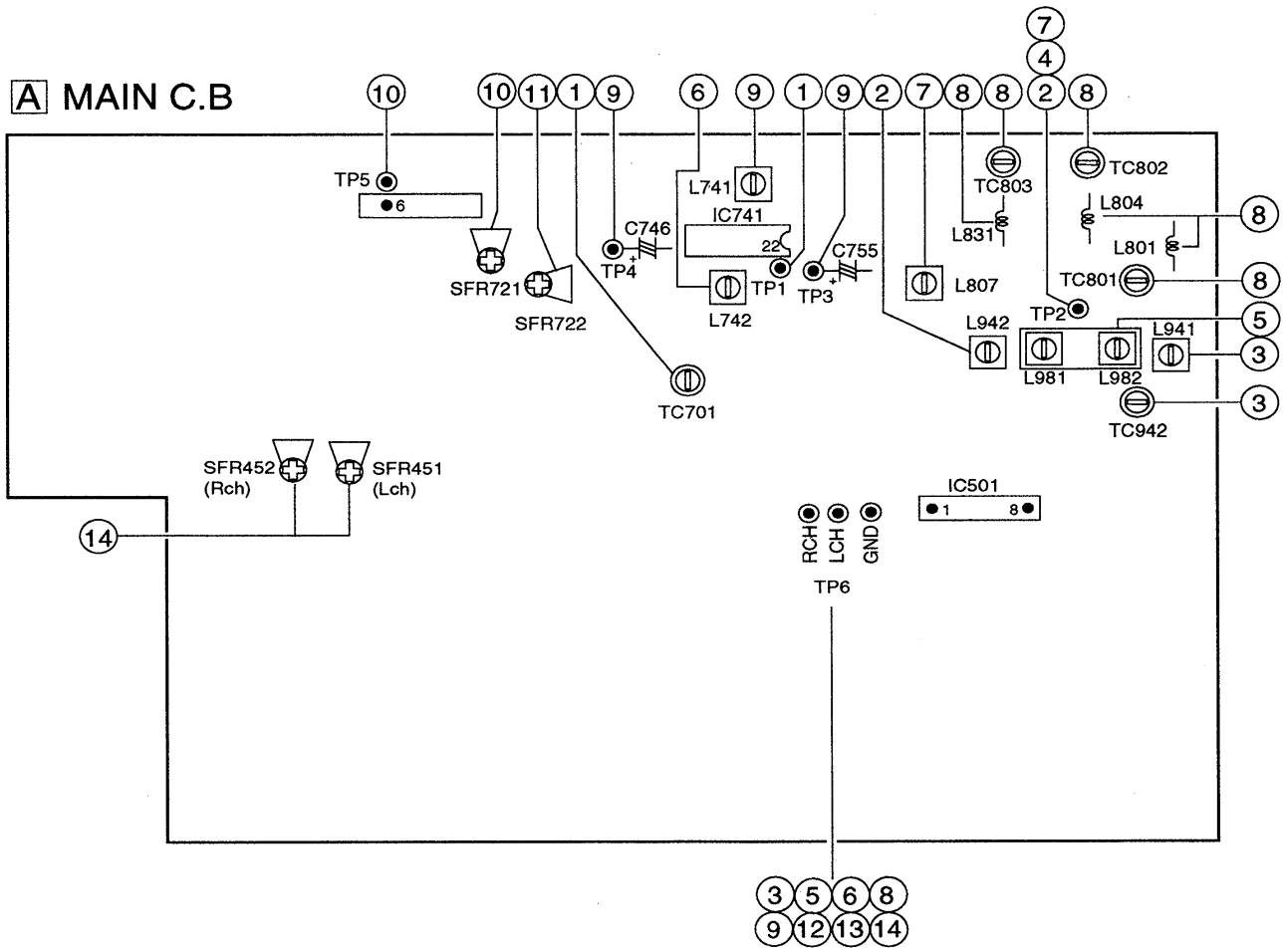


(7G ~ 3G)

ANODE CONNECTION

	7G	6G	5G	4G	3G	2G	1G
A	2d	2d	2d	2d	2d	-	20
B	2j, 2p	2j, 2p	2j, 2p	2j, 2p	2j, 2p	-	19
C	2n	2n	2n	2n	2n	-	18
D	2r	2r	2r	2r	2r	-	17
E	2c	2c	2c	2c	2c	-	16
F	2e	2e	2e	2e	2e	-	15
G	2m	2m	2m	2m	2m	-	14
H	2g	2g	2g	2g	2g	-	13
I	2f	2f	2f	2f	2f	-	12
J	2b	2b	2b	2b	2b	-	11
K	2k	2k	2k	2k	2k	-	10
L	2h	2h	2h	2h	2h	-	9
M	2o	2o	2o	2o	2o		8
N		°	TUNE	AUTO	((OO))	RANDOM	7
O		o	o (F)	-	MHz	(AI EDIT)	6
P	RECORD	-	o (L)	-	KHz	-	5
Q	SLEEP	-	-	-	5	-	4
R	PM	1d	1d	1d	1d	-	3
S	—	1e	1e	1e	1e	-	2
T		1c	1c	1c	1c	-	1
U	AM	1g	1g	1g	1g	-	-
V	(JAZZ)	1f	1f	1f	1f	-	-
W	(POP)	1b	1b	1b	1b	PRGM	-
X	(ROCK)	1a	1a	1a	1a		-
.ST1	ALWAYS LIGHT ON	-	-	-	-	S1	

ELECTRICAL ADJUSTMENT



<TUNER SECTION>

1. Clock Frequency Adjustment

Settings: · Test point : TP1 (CLK)
 · Adjustment location : TC701

Method: Set to MW 1602kHz and adjust TC701 so that the test point becomes 2052kHz±0.01kHz.

2. LW VT Check (EEZ only)

Settings: · Test point : TP2 (VT)
 · Adjustment location : L942

Method: Set to LW 144kHz and adjust L902 so that the test point becomes 1.5V±0.05V.

3. LW Tracking Adjustment (EEZ only)

Setting: · Test point : TP6
 L941 144kHz
 TC942 290kHz

4. MW VT Check

Setting: · Test point : TP2 (VT)
 Method: Set to MW 1602kHz and check that the test point is 6.8V±1.0V.

5. MW Tracking Adjustment

Settings: · Test point : TP6
 · Adjustment location : L982
 Method: Set to MW 999kHz and adjust L982 so that the test point becomes 53±6dB.

6. MW IF Adjustment

Setting: · Test point : TP6
 L742 450kHz

7. FM VT Adjustment

Setting: · Test point : TP2 (VT)
 · Adjustment location : L807
 Method: Set to FM 87.5MHz and adjust L807 so that the test point becomes 1.70V±0.05V.

8. FM Tracking Adjustment

Setting: · Test point : TP6
 (Except EEZ)
 TC801,TC802 108MHz
 L802,L804 87.5MHz
 (EEZ only)
 TC801,TC802,TC803 108MHz
 L802,L804,L831 87.5MHz

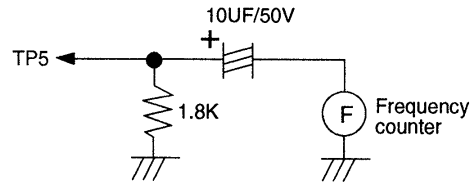
9. DC Balance/MONO Distortion Adjustment

Settings: · Test point : TP3,TP4 (DC Balance)
 TP6 (Distortion)
 · Adjustment location : L741
 · Input level : 54dB
 Method: Set to FM 98.0MHz and adjust L741 so that the voltage between TP3 and TP4 becomes 0V±0.02V.
 Next check that the distortion is less than 0.9%.

10.MPX VCO Adjustment

Settings: · Test point : TP5
 · Adjustment location : SFR721
 · Input level : 54dB (modulation OFF)

Method: Connect a capacitor and a resistor as below. Set to FM 98.0MHz and adjust SFR721 so that the frequency at the test point becomes 38kHz±0.05kHz.



11.Light on Tuning LED Adjustment

Settings: · Adjustment location : SFR722
 · Input level : 16dB
 Method: Set to FM 98.0MHz and adjust TUNING LED to light on by SFR722. After that, LED goes out by 2db down.

<TAPE SECTION>

12.Tape Speed Adjustment (DECK2)

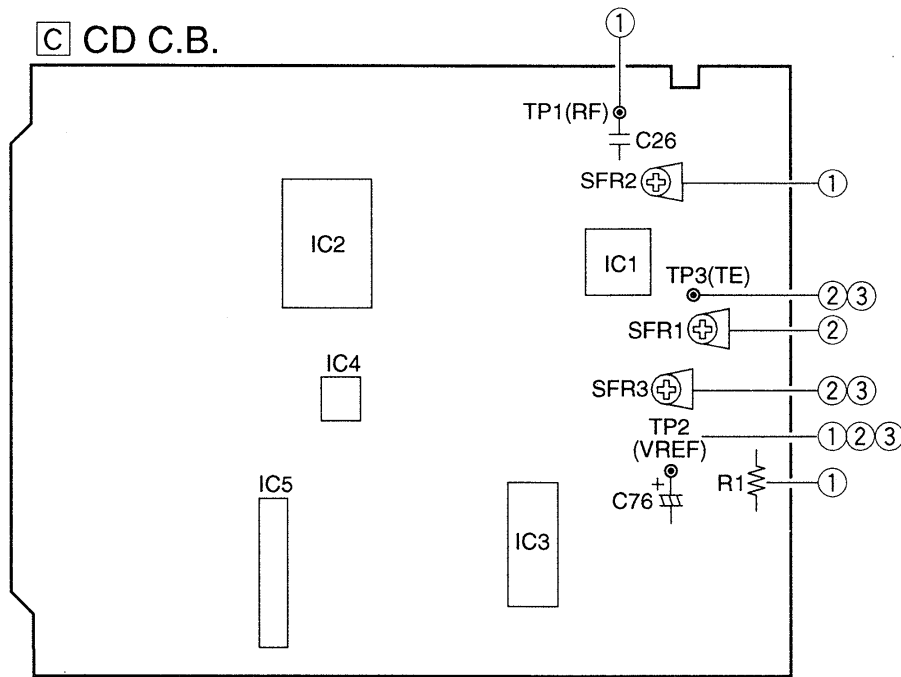
Settings: · Test tape : TTA-100
 · Test point : TP6
 · Adjustment location : SFR401
 Method: Play back the test tape, adjust SFR401 for 3000Hz±45Hz.

13.Azimuth Adjustment (DECK1, DECK2)

Settings: · Test tape : TTA-330
 · Test point : TP6
 · Adjustment location : Head azimuth adjustment screw
 Method: Play back the 8kHz signal of the test tape and adjust screw so that the output becomes maximum.

14.REC/PB Frequency Response Adjustment (DECK2)

Settings: · Test tape : TTA-601
 · Input AUX -28dB (1kHz/10kHz)
 · Test point : TP6
 · Input signal : 1kHz/10kHz (LINE IN)
 · Adjustment location : SFR451 (Lch)
 SFR452 (Rch)
 Method: Record and play back the 1kHz and 10kHz signal and adjust SFRs so that the TP6 level of the 10kHz signal is 0dB±0.5dB with respect to that of the 1kHz signal.

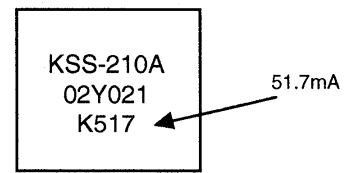
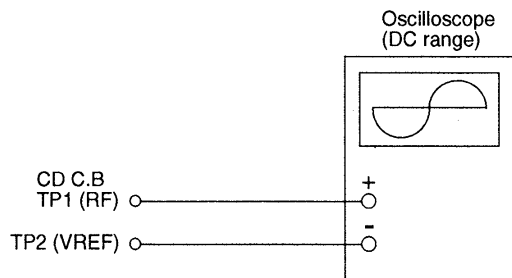


Note: Connect a probe (10:1) of the oscilloscope or the frequency counter to a test point.

Note: The current of the laser signal can be checked with the voltages on both sides of R1 (22Ω). The difference for the specified value shown on the level must be within ±6.0mA.

1. Focus Bias Adjustment

Make the focus bias adjustment when replacing and repairing the optical block.

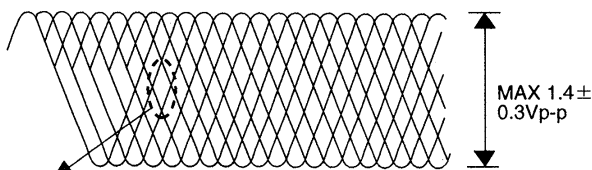


$$\text{Laser current } I_{op} = \frac{\text{Voltage across R1}}{22 \Omega}$$

2. RADIAL Balance Adjustment.

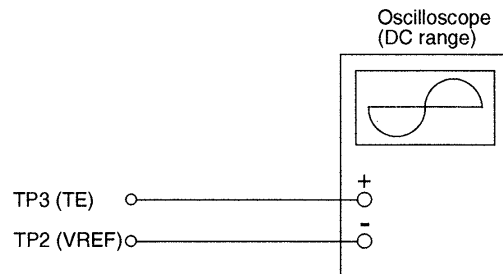
- 1) Connect an oscilloscope to the test point TP1 (RF) and TP2 (VREF).
- 2) Turn on the power switch.
- 3) Insert test disk TCD-782 (YEDS-18) and play back the second composition.
- 4) Adjust SFR2 so that RF signal of the test point TP1 (RF OUT) is MAX and CLEARREST.

RF signal waveform

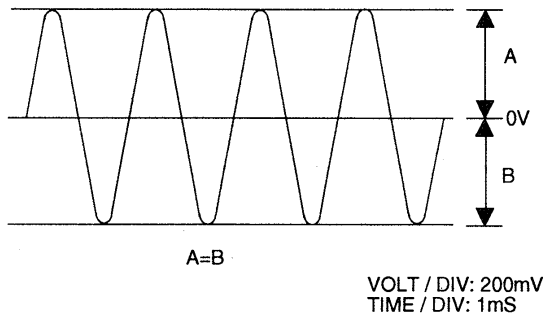


EYE PATTERN MUST BE CLEAR

VOLT / DIV: 500mV
TIME / DIV: 1ms



- 1) Connect an oscilloscope to the test point TP3 (TE) and TP2 (VREF).
- 2) Turn on the power switch.
- 3) Insert test disk TCD-782 (YEDS-18) and press the PLAY button.
- 4) Connect the intermediate point of SFR1 to TP2 (VREF).
- 5) Adjust SFR3 so that the wave form on the oscilloscope is vertically symmetrical as shown in the figure below.
- 6) After the adjustment is completed, remove the connected lead wires from the terminals.



3. RADIAL Gain Adjustment

A servo analyzer is necessary in order to perform this adjustment exactly. However, this gain has a margin, so even if it is slightly off, there is no problem. Therefore, do not perform this adjustment.

Focus/tracking gain determines the pick-up follow-up (vertical and horizontal) relative to mechanical noise and mechanical shock when 2-axis device operates. However, as these reciprocate, the adjustment is at the point where both are satisfied.

When gain is raised, the noise increases when the 2-axis device operates increases.

When gain is lowered, it is more susceptible to mechanical shock and skipping occurs more easily.

When gain adjustment is off, the symptoms below appear.

Symptoms	Gain	(Focus)	Tracking
· The time until music starts becomes linger for STOP ->▶ PLAY or automatic selection (◀▶ buttons pressed) (Normally takes about 2 seconds)		Low	Low or High
· Music does not start and disk continues to rotate for STOP ->▶ PLAY or automatic selection (◀▶ buttons pressed)		—	Low
· Disc stop to rotate shortly after STOP ->▶ PLAY		Low or High	—
· Sound is interrupted during PLAY, or time counter display stop.		—	Low
· More noises during the 2-axis device operation.		High	High

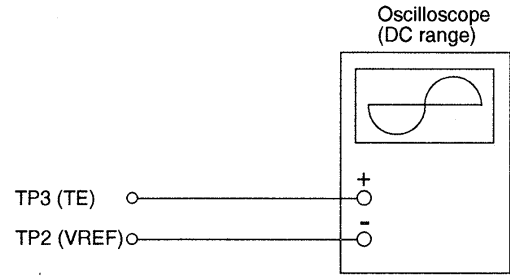
The following is simple adjustment method.

-----Simple adjustment-----

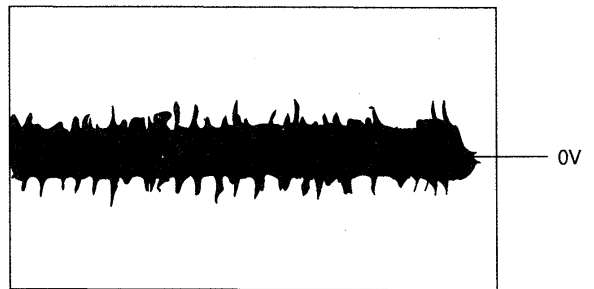
Note: Since exact adjustment cannot be performed, remember the positions of the controls before the performing the adjustment.

If the positions after the simple adjustment are only a little different, return the controls to the original position.

Procedure:

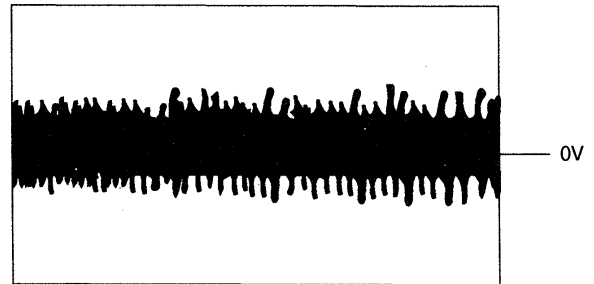


1. Keep the set horizontal. (If the set is not kept horizontally, this adjustment cannot be performed due to the gravity against the 2-axis device.)
2. Insert test disk TCD-782 (YEDS-18) and play back the second composition.
3. Connect an oscilloscope to TP3 (TE) of the CD C.B.
4. Adjust SFR3 so that the Waveform appears as shown in the figure below. (Tracking gain adjustment)



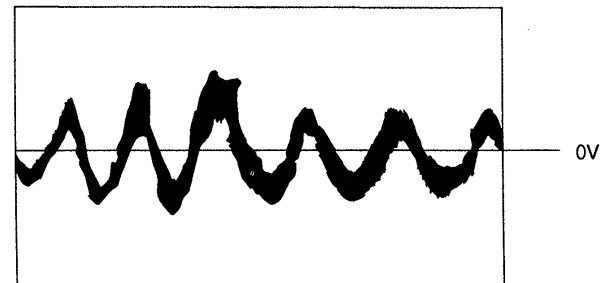
VOLT / DIV: 5mV
TIME / DIV: 1mS

Incorrect example
Low tracking gain
(The fundamental wave appears as compared with the waveform adjusted)



VOLT / DIV: 5mV
TIME / DIV: 1mS

High tracking gain
(The frequency of the fundamental wave is higher than in low gain)



VOLT / DIV: 5mV
TIME / DIV: 1mS

PRACTICAL SERVICE FIGURE

TUNER SECTION

<FM SECTION>

IHF Sensitivity:	2dB±6dB
(THD 3%)	(87.5 / 98.0 / 108.0MHz)
S/N 50dB Quieting sensitivity:	32dB±5dB
	(87.5 / 98.0 / 108.0MHz)
Signal to noise ratio:	More than 62dB(98.0MHz)
Distortion:	Less than 1.5%(98.0MHz)
Stereo separation:	More than 25dB(98.0MHz)
Intermediate frequency:	10.7MHz

<MW SECTION>

Sensitivity:	55dB±7dB(603kHz)
(S/N 20dB)	53dB±6dB(999kHz)
	53dB±6dB(1404kHz)
Distortion:	Less than 2.0%(999kHz)
Intermediate frequency:	450kHz

<LW SECTION>

Sensitivity:	66dB±5dB(144kHz)
(S/N 20dB)	64dB±5dB(198kHz)
	64dB±5dB(290kHz)
Distortion:	Less than 1.5%(198kHz)
Intermediate frequency:	450kHz

TAPE SECTION

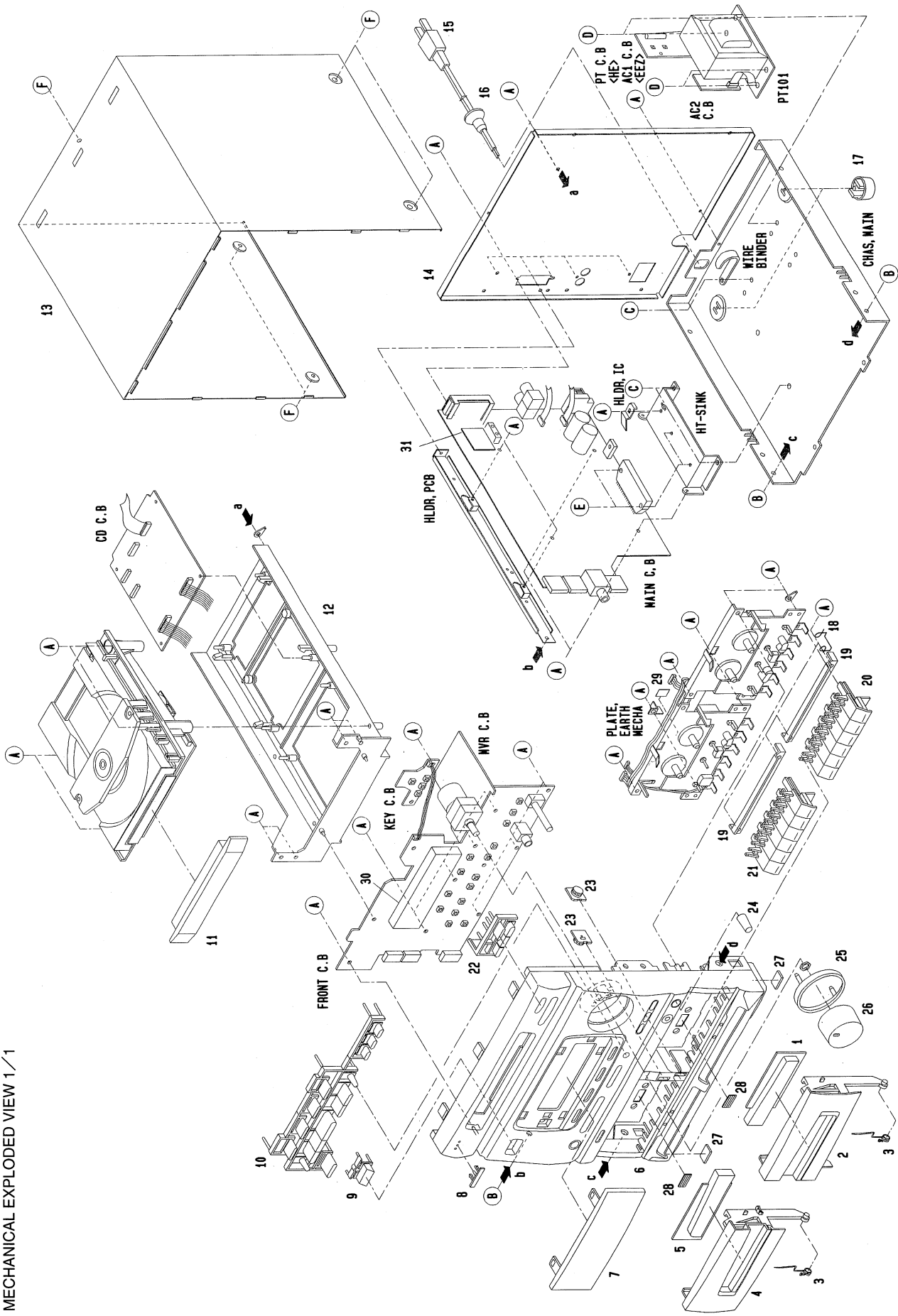
<FM SECTION>

Tape speed:	3000Hz±3.0%
Wow & flutter:	Less than 0.35%(RMS)
Take-up torque:	30~60g-cm(FWD, REV)
F.F torque:	55~140g-cm
Rew torque:	55~140g-cm
Back tension:	2~5g-cm
PB Output level:	1250±300mV(TP6)
REC / PB Output level:	800mV±2.0dB(TP6)
Distortion(REC / PB):	Less than 2.0%(NORM)
Nois level(PB):	Less than 5mV(TP6)
Nois level(REC / PB):	Less than 8mV(TP6)
Crosstalk:	More then 55dB
Erasing ratio:	More then 55dB
Channel separation:	More then 35dB
REC bias frequency:	85kHz
Test tape:	NORMAL TTA-601 / 600 NORMAL TTA-200

<p>See the NSX-270, CX-N270, CX-N2700 (S/M Code No.09-943-050-20K) for the IC DESCRIPTION below.</p>	
NSX-270, CX-N270, CX-N2700	CX-NV8
CXD2517Q	CXD2517Q
CXA1782AQ	CXA1782AQ
μ PD78043GF-057	μ PD78043GF-057

<p>See the NSX-270, CX-N270, CX-N2700 (S/M Code No.09-943-050-20K) for the IC BLOCK DIAGRAM below.</p>	
NSX-270, CX-N270, CX-N2700	CX-NV8
BA6397FP	BA6397FP
TC4094BP	TC4094BP
LM7001	LM7001
TA7291S	TA7291S
TC4052BF	TC4052BF
KIA6043S	KIA6043S
LA1265G	LA1265S
TDA1311A(T)	TDA1311A(T)

MECHANICAL EXPLODED VIEW 1/1

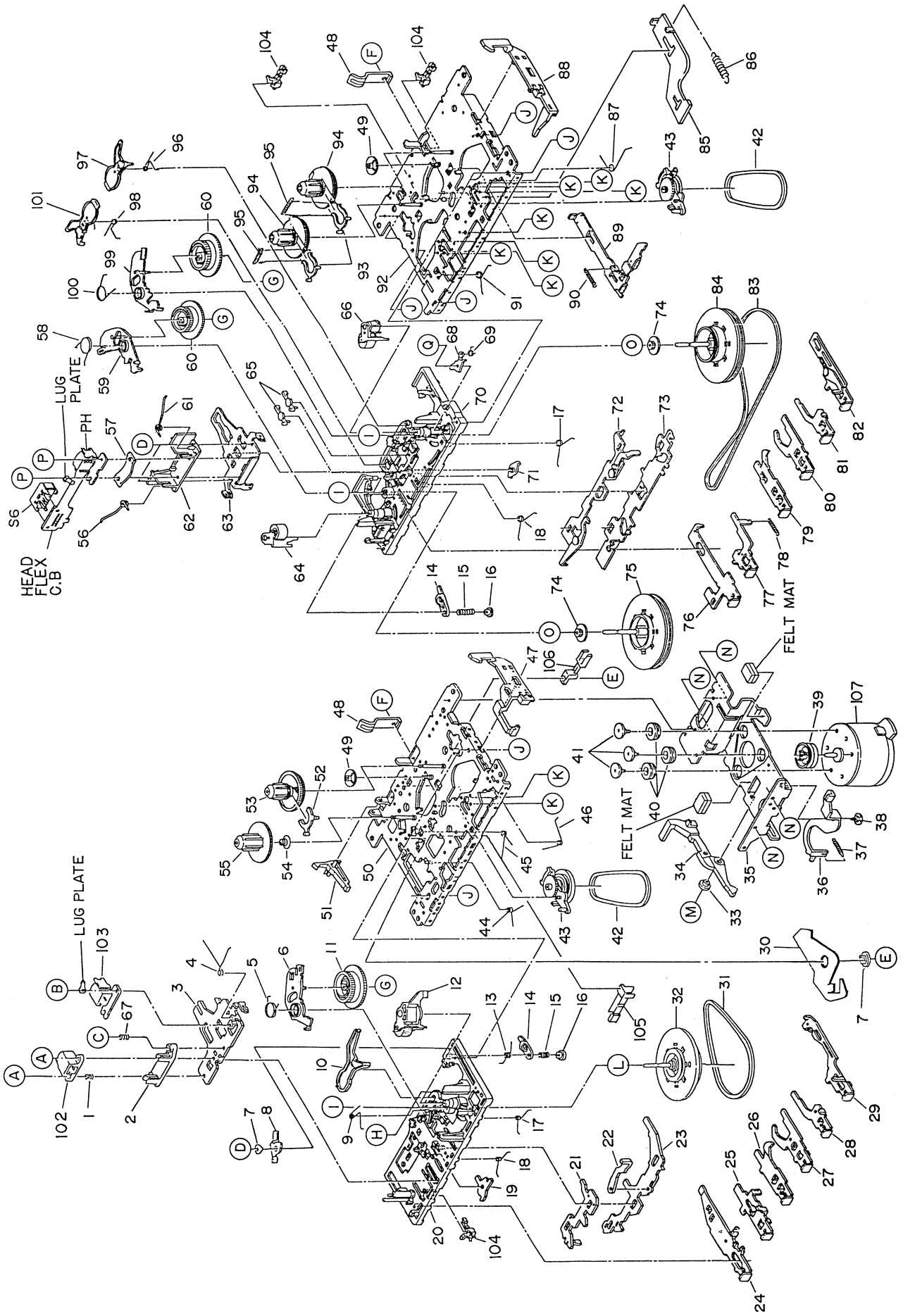


MECHANICAL PARTS LIST 1/1

DESCRIPTION で判断できない物は“REFERENCE NAME LIST”を参照してください。
 If can't understand for Description please kindly refer to “REFERENCE NAME LIST”.

REF. NO	PART NO.	カンリ NO.	DESCRIPTION	REF. NO	PART NO.	カンリ NO.	DESCRIPTION
1	82-NF7-013-010		WINDOW CASS 2	22	83-NEA-016-010		KEY, OPEN
2	83-NEA-070-010		BOX, CASS 2 V8<EEZ>	23	87-063-164-010		OIL-DMPR 80
2	83-NEA-075-010		BOX, CASS 2V8H<HE>	24	81-MX4-019-010		KNOB, MIC
3	82-NF7-218-010		SPR-T, CASS	25	82-NF7-014-010		RING, VOL<HE>
4	83-NEA-069-010		BOX, CASS 1 V8<EEZ>	25	82-NF7-039-010		RING, VOL BLK<EEZ>
4	83-NEA-074-010		BOX, CASS 1V8H<HE>	26	83-NEA-067-010		KNOB, VOL V8
5	82-NF7-012-010		WINDOW CASS 1	27	80-VT1-202-010		FELT, 12.5-15.5-2
6	83-NEA-064-010		CAB, FR V8<EEZ>	28	81-532-080-010		LBL, CASS-COMPT
6	83-NEA-073-010		CAB, FR V8HE<HE>	29	81-584-246-010		MYLAR 5-10
7	82-NF7-011-010		WINDOW DISPLAY	30	82-NF7-210-010		GUIDE, FL
8	82-NE8-032-010		BADGE AIWA 27.5	31	81-NKB-655-010		SHILD PLATE Z
9	82-NF7-006-010		KEY, POWER	A	87-067-703-010		BVT2+3-10 (W/O SLOT)
10	82-NF7-007-010		KEY, FUN	B	87-591-094-410		QIT+3-6 GOLD
11	83-NEA-065-010		PANEL, TRAY V8	C	87-067-688-010		BVTT+3-6
12	83-NEA-201-310		HLD, CD	D	87-078-019-010		S-SCREW, 1T+4-6
13	82-NF5-017-310		CAB, STEEL	E	87-067-698-010		BVT 2+3-18 (W/O SLOT)
14	83-NEA-066-010		PANEL, REAR EEZBN V8<EEZ>	F	87-067-641-010		UTT2+3-8 W/O SLOT BLK
14	83-NEA-072-010		PANEL, REAR HEJBN8<HE>				
△	15	87-050-034-010	AC CORD ASSY, E				
16	87-085-185-010		BUSHING, AC CORD E				
17	87-085-221-010		FOOT, H 13.5				
18	82-NF7-217-010		SPR-T, EARTH				
19	82-NF7-204-010		HLD, KEY				
20	82-NF7-009-010		KEY, CASS 2				
21	82-NF7-019-010		KEY, CASS REC				

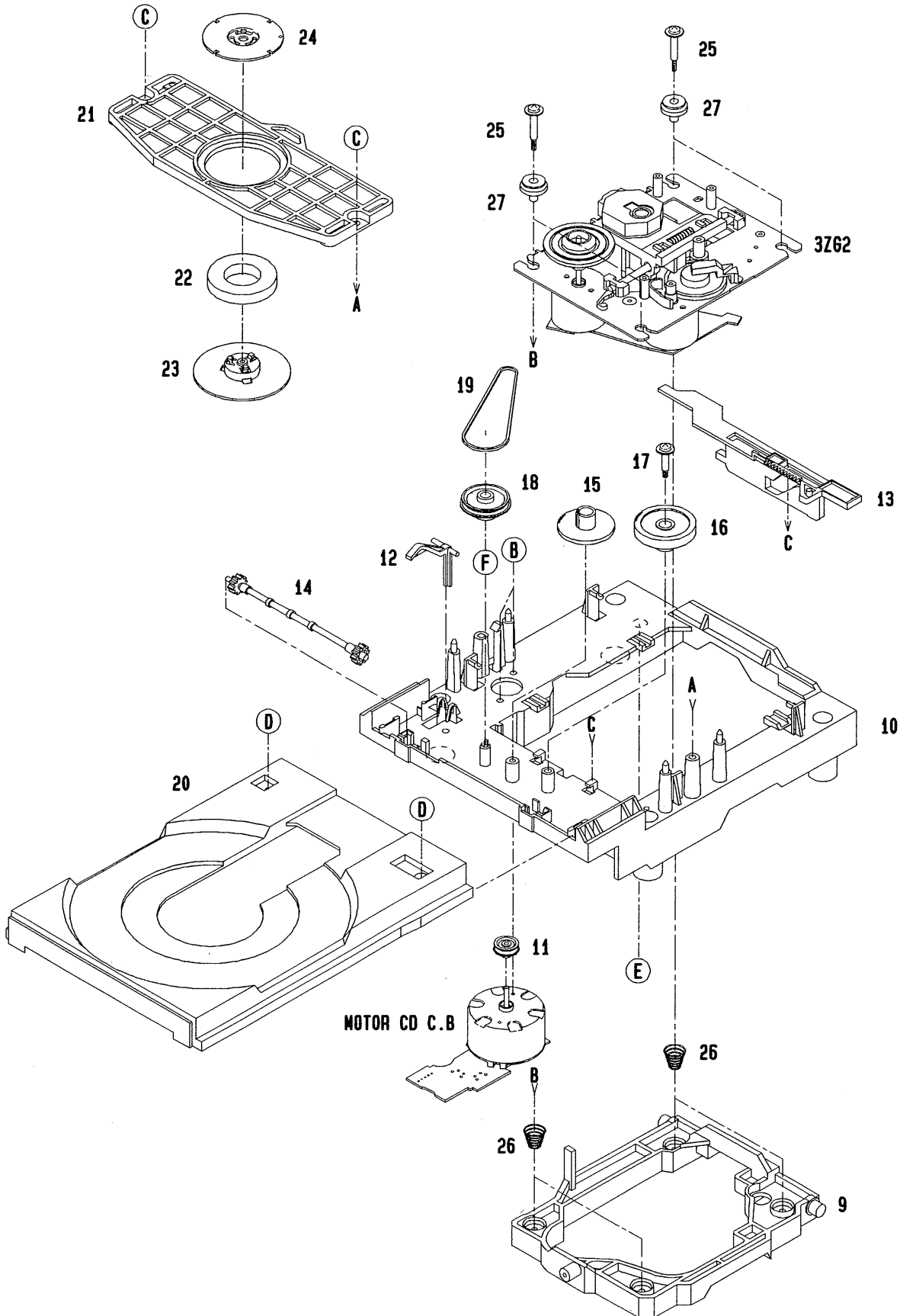
TAPE MECHANISM EXPLODED VIEW 1/1

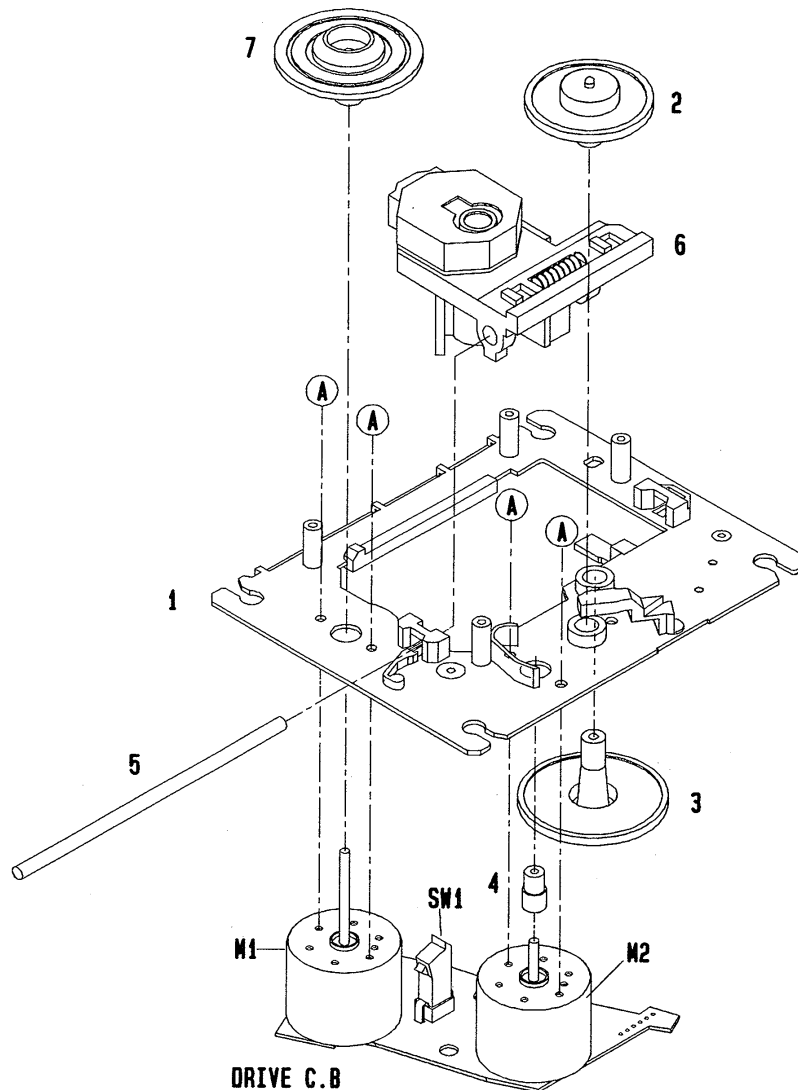


TAPE MECHANISM PARTS LIST 1/1

REF. NO	PART NO.	カンリ NO.	DESCRIPTION	REF. NO	PART NO.	カンリ NO.	DESCRIPTION
1	S1-821-030-080		EH, SPRING	66	S1-959-043-030		RINCH ROLLER ARM(F) ASSY
2	S1-921-030-060		HEAD BASE	67	S1-821-030-070		AZIMUTH SPRING
3	S1-921-030-140		HEAD PANEL	68	S1-959-140-090		ROTARY ARM
4	S1-921-030-090		PANEL P SPR	69	S1-959-140-270		ROTARY SPRING
5	S1-921-260-050		GEAR PLATE SPRING	70	S1-959-143-010		BASE ASSY
6	S1-921-265-020		GEAR PLATE ASSY	71	S1-959-140-230		PR STOPPER
7	S1-921-140-370		P ARM COLLAR	72	S1-959-145-010		ACTUATOR ASSY
8	S1-921-140-340		P ARM	73	S1-959-140-260		SLIDE PLATE
9	S1-921-141-8A0		M CONTROL SPRING	74	S1-921-090-100		FL GEAR
10	S1-921-260-4A0		SENSING LEVER	75	S1-959-093-040		FLYWHEEL (R) ASSY
11	S1-921-260-020		CAM GEAR	76	S1-959-140-170		MODE BUTTON LEVER(S)
12	S1-921-043-100		PINCH ROLLER ARM ASSY	77	S1-959-140-160		PLAY BUTTON LEVER(S)
13	S1-921-141-3A0		P CONTROL SPRING	78	S1-959-030-020		SPR. PLATE
14	S1-921-140-820		PAUSE LEVER(F)	79	S1-959-140-150		FF BUTTON LEVER(RS)
15	S1-921-140-120		PAUSE LEVER SPRING	80	S1-959-140-140		FF BUTTON LEVER(FS)
16	S1-921-140-110		PAUSE STOPPER	81	S1-959-140-130		STOP BUTTON LEVER(S)
17	S1-921-140-150		BUTTON LEVER SPRING (B)	82	S1-959-143-030		PROG BUTTON LEVER(S) ASSY
18	S1-921-140-140		BUTTON LEVER SPRING (A)	83	S1-851-140-170		MAIN BELT
19	S1-921-140-200		PR STOPPER	84	S1-959-093-050		FLYWHEEL (F) ASSY
20	S1-921-143-180		BASE ASSY	85	S1-959-150-020		MUTING PLATE SP
21	S1-921-140-090		SWITCH ACTUATOR	86	S1-959-150-010		MUTING PLATE
22	S1-921-140-640		E KICK LEVER	87	S1-959-140-200		SPR. EV ACTUATOR
23	S1-921-140-080		PUSH BUTTON ACTUATOR	88	S1-959-130-020		EJECT SLIDE LEVER(S)
24	S1-921-140-220		REC BUTTON LEVER	89	S1-959-010-020		MAIN PLATE
25	S1-921-140-230		PLAY BUTTON LEVER	90	S1-959-010-030		SPR. MAIN PLATE
26	S1-921-140-240		REW BUTTON LEVER	91	S1-959-140-220		SPR. PM BUTTON LEVER
27	S1-921-140-250		FF BUTTON LEVER	92	S1-959-015-010		CHASSIS ASSY
28	S1-921-140-260		STOP BUTTON LEVER	93	S1-959-050-010		SENSOR
29	S1-921-140-610		PAUSE BUTTON LEVER	94	S1-921-053-090		TAKE UP REEL ASSY
30	S1-921-020-010		REC ARM	95	S1-959-050-040		SPRING
31	S1-821-121-730		MAIN BELT	96	S1-959-260-090		M CONTROL SPR(F)
32	S1-921-093-050		FLYWHEEL ASSY	97	S1-959-260-060		SENSING LEVER(F)
33	S1-821-120-650		COLLAR SCREW(B)	98	S1-959-260-010		M CONTROL SPR(R)
34	S1-921-120-250		P KICK LEVER(B)	99	S1-959-265-010		GEAR PLATE(F) ASSY
35	S1-851-140-070		MOTOR BRACKET	100	S1-959-260-040		GEAR PLATE SPR(F)
36	S1-851-140-060		P KICK LEVER(A)	101	S1-959-260-070		SENSING LEVER(R)
37	S1-851-140-040		SPR P KICK LEVER	102	S6-202-140-190		E HEAD LE15B-C1
38	S1-821-120-230		PK, COLLAR SCREW(A)	103	S6-201-010-750		R. P. HEAD RP-7442BS-0951
39	S1-959-120-010		MOTOR PULLEY	104	S6-401-011-490		LEAF SW MSW-1541T
40	S1-821-120-660		MOTOR RUBBER	105	S6-401-010-380		LEAF SWITCH MSW-1275
41	S1-851-140-180		MOTOR COLLAR SCREW	106	S6-401-011-610		LEAF SW MSW-17820-MVE1
42	S1-821-070-110		RF. BELT	107	S6-002-030-290		MOTOR EG-530YD-2BH
43	S1-959-073-010		RF CLUTCH ASSY	A	S9-P17-205-710		SCREW, M2-7.5
44	S1-921-140-170		P. S. LEVER SPRING	B	S9-B01-200-310		SCREW, +2-3
45	S1-921-140-210		RECBUTTON LEVER SPR	C	S9-F08-200-710		SCREW, M2-7
46	S1-921-140-160		E ACTUATOR SPRING	D	S9-C04-202-530		S-SCREW, TAP 2-2.5
47	S1-921-130-030		EJECT SLIDE LEVER	E	S9-P04-200-500		SCREW, TAP M2-5
48	S1-829-100-010		SPR. PACK	F	S9-P04-200-310		SCREW, TAP M2-3
49	S1-821-100-700		FF GEAR	G	S9-W06-300-030		HLW CUT 1.2-3.8-0.3
50	S1-921-145-010		CHASSIS ASSY	H	S9-P05-200-610		S-SCREW, TAP 2-6
51	S1-821-100-690		REC SAFETY LEVER	I	S9-W06-500-020		HLW CUT 1.45-3.8-0.5
52	S1-921-050-060		SENSOR	J	S9-B10-200-510		SCREW, TAP 2-5
53	S1-921-053-030		TAKE UP REEL ASSY	K	S9-C07-204-510		SCREW, TAP 2-4.5
54	S1-821-100-990		SPR. BACK TENSION	L	S9-W01-400-100		PW 2-3.5-0.4
55	S1-921-055-040		SUPPLY REEL ASSY	M	S9-P04-200-610		SCREW, TAP M2-6
56	S1-959-040-040		SPR. P. ROLLER ARM(R)	N	S9-P04-200-410		C TAPPING SCREW M2-4
57	S1-851-040-050		PLATE HEAD SPR	O	S9-W05-300-100		HLW 2.1-3.5-0.3
58	S1-959-260-050		GEAR PLATE SPR(R)	P	S9-P14-200-630		S-SCREW, M2-6 BLK
59	S1-959-265-020		GEAR PLATE(R) ASSY	Q	S9-E01-001-520		E RING S1.5
60	S1-959-260-030		CAM GEAR				
61	S1-959-040-020		SPR. P. ROLLER ARM(F)				
62	S1-959-030-030		HEAD BASE				
63	S1-959-030-010		HEAD PANEL				
64	S1-959-043-040		PINCH ROLLER ARM(R) ASSY				
65	S1-959-260-080		M CONTROL ARM				

CD MECHANISM EXPLODED VIEW 1/1





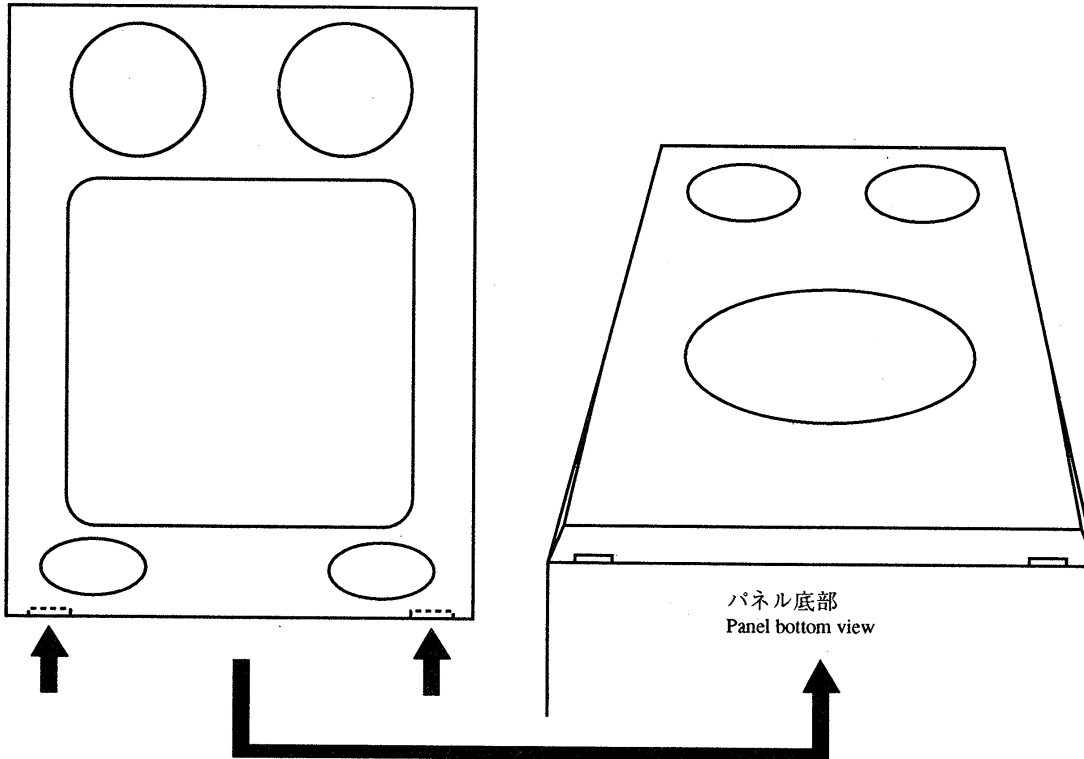
CD MECHANISM PARTS LIST 1/1

REF. NO	PART NO.	カソリ NO.	DESCRIPTION	REF. NO	PART NO.	カソリ NO.	DESCRIPTION
1	83-ZG2-202-01K		O-SERT S ASSY, S	22	83-ZG3-602-010		RING, MAG
2	83-ZG2-204-01K		GEAR, A	23	83-ZG3-212-01K		CAP, DISC
3	83-ZG2-205-01K		GEAR, B	24	83-ZG3-211-01K		PLATE, DISC
4	83-ZG2-206-01K		GEAR, MOTOR	25	81-ZG1-254-019		S-SCEW, MECH HLDR
5	83-ZG2-207-019		SHAFT, SLIDE	26	83-ZG3-216-019		SPR-C, L
6	87-017-743-019		PICK UP UNIT, KSS210A	27	83-ZG3-215-019		CUSH-G, MAIN
7	83-ZG2-208-01K		TURN TABLE	A	87-261-032-219		SCREW V + 2 - 3
9	83-ZG3-202-01K		HLDR, MECH	B	87-251-071-119		U+2. 6-4
10	83-ZG3-201-01K		CHAS, L	C	87-512-074-219		VFT2+2. 6-8
11	83-ZG3-208-01K		PULLEY, MOTOR	D	87-352-075-219		VT2+2. 6-10
12	83-ZG3-213-01K		LVR, SW	E	87-067-945-119		VFT2+3-12(F10)
13	83-ZG3-209-01K		CAM, SLIDE	F	80-ZM6-250-019		PW 4. 8-8. 5-0. 13
14	83-ZG3-207-01K		GEAR, TRAY				
15	83-ZG3-204-01K		GEAR, C				
16	83-ZG3-205-01K		GEAR, D				
17	83-ZG3-217-019		S-SCREW, GEAR D				
18	83-ZG3-220-11K		GEAR, PULLEY 2				
19	83-ZG3-214-019		BELT, L				
20	83-ZG3-203-01K		TRAY, CD				
21	83-ZG3-210-01K		HLDR, CHUCK				

DISASSEMBLY INSTRUCTIONS

矢印の位置にマイナスドライバーを差し込んで、パネルをはずして、各々のスピーカー・ユニットのビスを取り、スピーカー・ユニットをはずしてください。

Insert a flat - bladed screwdriver into the position indicated by the arrows and remove the panel.
Remove the screws of each speaker unit and then remove the speaker units.



■ SPEAKER PARTS LIST

DESCRIPTIONで判断できない物は“REFERENCE NAME LIST”を参照してください。
If can't understand for Description please kindly refer to “REFERENCE NAME LIST”.

REF. NO	PART NO.	カリ NO.	DESCRIPTION
1	83-NS8-001-010		PANEL FR R
2	83-NS8-002-010		PANEL FR L
3	83-NS8-007-010		GRILL FRAME ASSY
4	83-NS8-602-010		SPEAKER WOOFER
5	83-NS8-604-010		SPEAKER TWEETER
6	82-MSE-610-010		CERAMIC
7	83-NS8-009-010		DIAPHRAGM
8	83-096-614-010		SPEAKER CORD

■ ACCESSORIES/PACKAGE LIST

DESCRIPTIONで判断できない物は“REFERENCE NAME LIST”を参照してください。
If can't understand for Description please kindly refer to “REFERENCE NAME LIST”.

REF. NO	PART NO.	カリ NO.	DESCRIPTION
1	83-NEA-904-110		IB,H(S)<HE>
1	83-NEA-913-010		IB,H(S)-V8<EEZ>
2	83-NEA-914-010		IB,E(S)-V8<EEZ>
2	83-NEA-915-010		IB,H-ECA(S)-V8<HE>
3	83-NEA-701-010		RC,RC-TN270
4	87-006-268-010		AM-LOOP ANT NC(UN)
5	87-043-115-010		ANT,FEEDER FM<HE>
5	87-043-106-010		FM,WIRE ANT(Z)<EEZ>
6	87-042-062-010		PLUG,ADPTR S-I6115<HE>

REFERENCE NAME LIST

ELECTRICAL SECTION

DESCRIPTION	REFERENCE NAME
ANT	ANTENNAS
C-	CHIP
C-CAP	CAP, CHIP
C-CAP TN	CAP, CHIP TANTALUM
C-COIL	COIL, CHIP
C-DI	DIODE, CHIP
C-DIODE	DIODE, CHIP
C-FET	FET, CHIP
C-FOTR	FILTER, CHIP
C-JACK	JACK, CHIP
C-LED	LED, CHIP
C-RES	RES, CHIP
C-SFR	SFR, CHIP
C-SLIDE SW	SLIDE SWITCH, CHIP
C-SW	SWITCH, CHIP
C-TR	TRANSISTOR, CHIP
C-VR	VOLUME, CHIP
C-ZENER	ZENER, CHIP
CAP, CER	CAP, CERA-SOL
CAP, E	CAP, ELECT
CAP, M/F	CAP, FILM
CAP, TC	CAP, CERA-SOL
CAP, TC-U	CAP, CERA-SOL SS
CAP, TN	CAP, TANTALUM
CERA FIL	FILTER, CERAMIC
CF	FILTER, CERAMIC
DL	DELAY LINE
E/CAP	CAP, ELECT
FILT	FILTER
FLTR	FILTER
FUSE RES	RES, FUSE
MOT	MOTOR
P-DIODE	PHOTO DIODE
P-SNSR	PHOTO SENSER
P-TR	PHOTO TRANSISTOR
POLY VARI	VARIABLE CAPACITOR
PCAP	CAP, PP
PT	POWER TRANSFORMER
PTR, RES	PTR, MELF
RC	REMOTE CONTROLLER
RES NF	RES, NON-FLAMMABLE
RESO	RESONATOR
SHLD	SHIELD
SOL	SOLENOID
SPKR	SPEAKER
SW, LVR	SWITCH, LEVER
SW, RTRY	SWITCH, ROTARY
SW, SL	SWITCH, SLIDE
TC CAP	CAP, CERA-SOL
THMS	THERMISTOR
TR	TRANSISTOR
TRIMMER	CAP, TRIMMER
TUN-CAP	VARIABLE CAPACITOR
VIB, CER	RESONATOR, CERAMIC
VIB, XTAL	RESONATOR, CRYSTAL
VR	VOLUME
ZENER	DIODE, ZENER
サージサプレッサ	SERGESUPPRESSOR
セラコン	CAP,CERA

MECHANICAL SECTION

DESCRIPTION	REFERENCE NAME
ADHESHIVE	SHEET ADHESHIVE
AZ	AZIMUTH
BAR-ANT	BAR-ANTENNA
BAT	BATTERY
BATT	BATTERY
BRG	BEARING
BTN	BUTTON
CAB	CABINET
CASS	CASSETTE
CHAS	CHASSIS
CLR	COLLAR
CONT	CONTROL
CRSR	CURSOR
CU	CUSHION
CUSH	CUSHION
DIR	DIRECTION
DUBB	DUBBING
FL	FRONT LOADING
FLY-WHL	FLYWHEEL
FR	FRONT
FUN	FUNCTION
G-CU	G-CUSHION
HDL	HANDOL
HIMERON	CLOTH
HINGE, BAT	HINGE, BATTERY
HLDR	HOLDER
HT-SINK	HEAT SINK
IB	INSTRUCTION BOOKLET
IDLE	IDLER
IND, L-R	INDICATOR, L-R
KEY, CONT	KEY, CONTROL
KEY, PRGM	KEY, PROGRAM
KNOB, SL	KNOB, SLIDE
LBL	LABEL
LID, BATT	LID, BATTERY
LID, CASS	LID, CASSETTE
LVR	LEVER
P-SP	P-SPRING
PANEL, CONT	PANEL, CONTROL
PANEL, FR	PANEL, FRONT
PRGM	PROGRAM
PULLY, LOAD MO	PULLY, LOAD MOTOR
RBN	RIBBON
S-	SPECIAL
SEG	SEGMENT
SH	SHEET
SHLD-SH	SHIELD-SHEET
SL	SLIDE
SP	SPRING
SP-SCREW	SPECIAL-SCREW
SPACER, BAT	SPACER, BATTERY
SPR	SPRING
SPR-P	P-SPRING
SPR-PC-PUSH	P-SPRING, C-PUSH
T-SP	T-SPRING
TERM	TERMINAL
TRIG	TRIGGER
TUN	TUNING
VOL	VOLUME
W	WASHER
WHL	WHEEL
WORM-WHL	WORM-WHEEL
ジグアーム	ARM,SHAFT
ジグガイド	GUIDE,SHAFT
ストラップ	STRAP
トクナベ	S-SCREW
ヒンジ	HINGE
ヒンジビス	S-SCREW
ビスセレート	SCREW,SERRART

サービス技術ニュース	
番号	連絡内容
G - -	
G - -	
G - -	

アイワ株式会社
AIWA CO.,LTD.

931261, 750038

Tokyo Japan