



HS-GS302 Y  
HS-AP1MK9 Y

# SERVICE MANUAL

---

STEREO CASSETTE PLAYER

• BASIC TYPE MECHANISM: 4ZM-2 P7NC

---

- Replace this Service Manual with "Revision Publishing" when it is issued.

**aiwa**

S/M Code No. 09-001-427-2T1

SIMPLE

DATA

# ELECTRICAL PARTS LIST - 1/1

NOTE: The characters in the suffix column indicate the part usage.

REF.NO	PARTS NO.	NO.	DESCRIPTION	SUFFIX
302Y	.....	XX	.....	A
AP1Y	.....	XX	.....	B
		KANRI		
C	4	87-010-178-080	CHIP CAP 1000P	AB
C	3	87-010-178-080	CHIP CAP 1000P	AB
C	1	87-010-181-080	CAP,CHIP S 1800P	AB
C	2	87-010-181-080	CAP,CHIP S 1800P	AB
C	8	87-010-196-080	CHIP CAPACITOR,0.1-25	AB
C	9	87-010-213-080	C-CAP,S 0.015-50 B	AB
C	7	87-015-676-040	E/CAP 47/6.3	AB
C	5	87-015-676-040	E/CAP 47/6.3	AB
C	6	87-015-676-040	E/CAP 47/6.3	AB
C	17	87-010-180-080	C-CER 1500P	AB
C	18	87-010-180-080	C-CER 1500P	AB
C	12	87-010-194-080	CAP, CHIP 0.047	AB
C	14	87-010-196-080	CHIP CAPACITOR,0.1-25	AB
C	10	87-010-213-080	C-CAP,S 0.015-50 B	AB
C	13	87-015-681-040	E/CAP 10-16	AB
C	11	87-016-462-080	C-CAP,S 1-16 F	AB
C	15	87-016-462-080	C-CAP,S 1-16 F	AB
C	16	87-016-462-080	C-CAP,S 1-16 F	AB
C	19	87-A10-489-040	CAP,E 220-4 7L SR	AB
C	24	87-010-197-080	CAP, CHIP 0.01 DM	AB
C	23	87-010-197-080	CAP, CHIP 0.01 DM	AB
C	21	87-A10-489-040	CAP,E 220-4 7L SR	AB
C	20	87-A10-489-040	CAP,E 220-4 7L SR	AB
IC	1	87-A20-460-040	IC,MM1336CF	AB
J	1	85-HRL-623-010	JACK,3.5 ST BLK	AB
SFR	2	87-A90-789-080	C-SFR,470 RH03AXA12X	AB
SFR	1	87-A90-789-080	C-SFR,470 RH03AXA12X	AB
SW	1	87-A90-133-110	SW,LEAF LSA1120JAU	AB
SW	2	87-A91-163-010	C-SW,SL 1-1-2 4MM	AB
VR	1	83-HRC-609-010	VOL 20KAX2	AB
C	359	87-010-186-080	CAP,CHIP 4700P	AB
C	355	87-010-186-080	CAP,CHIP 4700P	AB
C	356	87-010-186-080	CAP,CHIP 4700P	AB
C	357	87-010-193-080	CHIP CAPACITOR,0.033	AB
C	358	87-010-193-080	CHIP CAPACITOR,0.033	AB
C	353	87-010-196-080	CHIP CAPACITOR,0.1-25	AB
C	354	87-010-196-080	CHIP CAPACITOR,0.1-25	AB
C	352	87-016-461-080	C-CAP,S 0.47-16F	AB
C	351	87-016-461-080	C-CAP,S 0.47-16F	AB
C	360	87-010-186-080	CAP,CHIP 4700P	AB
C	365	87-015-676-040	E/CAP 47/6.3	AB
C	364	87-016-462-080	C-CAP,S 1-16 F	AB
C	362	87-016-462-080	C-CAP,S 1-16 F	AB
C	361	87-016-462-080	C-CAP,S 1-16 F	AB
C	363	87-016-462-080	C-CAP,S 1-16 F	AB
IC	351	87-017-805-080	IC,AN7375NS(OP AMP)	AB
SW	351	87-A91-163-010	C-SW,SL 1-1-2 4MM	AB
C	301	87-010-184-080	CHIP CAPACITOR 3300P(K)	AB
C	302	87-010-184-080	CHIP CAPACITOR 3300P(K)	AB
C	309	87-010-188-080	CAP,CHIP 6800P	AB
C	307	87-010-956-080	CHIP-CAP,S 0.068-25B	AB
C	308	87-010-956-080	CHIP-CAP,S 0.068-25B	AB
C	303	87-012-141-080	CHIP-CAPACITOR,0.22-16F	AB
C	304	87-012-141-080	CHIP-CAPACITOR,0.22-16F	AB
C	305	87-016-462-080	C-CAP,S 1-16 F	AB
C	306	87-016-462-080	C-CAP,S 1-16 F	AB
C	310	87-010-188-080	CAP,CHIP 6800P	AB
C	313	87-010-189-080	C-CAP,S 8200P-50 B	AB
C	314	87-010-189-080	C-CAP,S 8200P-50 B	AB
C	312	87-012-365-080	C-CAP,S 0.027-25VBK	AB
C	311	87-012-365-080	C-CAP,S 0.027-25VBK	AB
C	315	87-015-676-040	E/CAP 47/6.3	AB
D	301	87-020-027-080	CHIP-DIODE 1SS184	AB
Q	301	87-026-264-080	C-TR,RN1411	AB
Q	302	87-026-264-080	C-TR,RN1411	AB
Q	303	87-026-264-080	C-TR,RN1411	AB
Q	304	87-026-264-080	C-TR,RN1411	AB
Q	306	89-327-125-080	CHIP TR,2SC2712GR	AB
Q	305	89-327-125-080	CHIP TR,2SC2712GR	AB
Q	307	89-327-125-080	CHIP TR,2SC2712GR	AB
Q	308	89-327-125-080	CHIP TR,2SC2712GR	AB
SW	301	87-A91-285-110	C-SW,SL 1-1-4 SS-350-B14B-C-L	AB
C	51	87-010-178-080	CHIP CAP 1000P	AB
C	52	87-010-196-080	CHIP CAPACITOR,0.1-25	AB
C	53	87-016-462-080	C-CAP,S 1-16 F	AB
C	54	87-A10-489-040	CAP,E 220-4 7L SR	AB
R	54	87-022-657-080	RES,K34G 0.68	AB
SFR	51	87-024-197-010	SEMI-FIXED RESISTOR, 1K	AB
TH	51	87-026-256-090	THERMISTOR, HT-100	AB

# MECHANICAL PARTS LIST - 1/1

NOTE: The characters in the suffix column indicate the part usage.

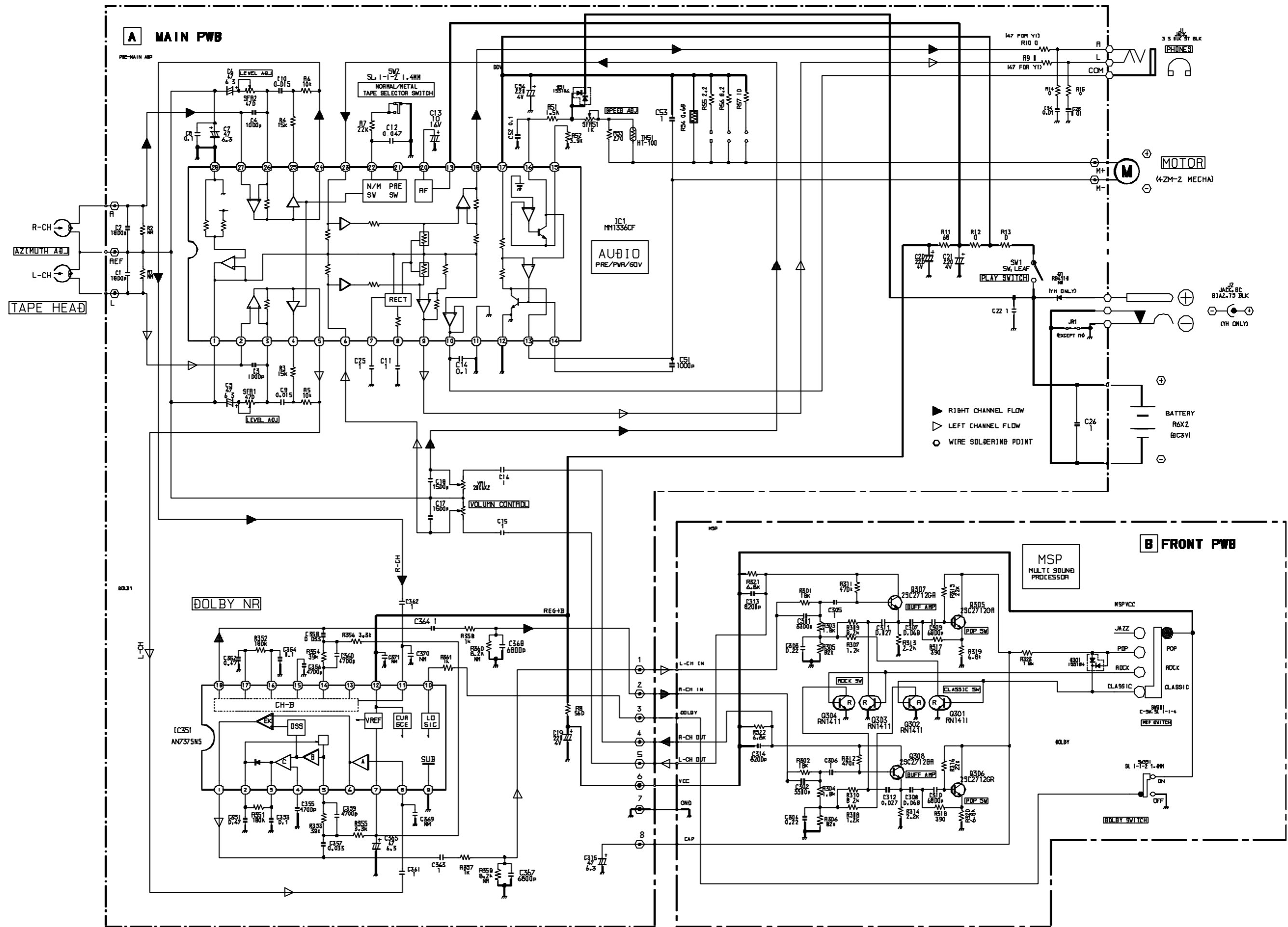
REF.NO	PARTS NO.	NO.	DESCRIPTION	SUFFIX
302Y		XX		A
AP1Y		XX		B
		KANRI		
8A-HGA-001-010			LID, CASS	A
8A-HGA-002-010			PANEL, MSP	AB
8A-HGA-006-010			PLATE, IND DOLBY	AB
8A-HGA-007-010			LID, CASS AP1	.B
8A-HGA-003-010			KNOB, RTRY MSP	AB
8A-HGA-005-010			KNOB, SL DOLBY	AB
87-067-732-010			TAPPING SCREW, VT1.4-3	AB
8A-HGA-201-010			RACK, MSP	AB
8Z-HG8-016-010			CABI, REAR J049N	AB
8Z-HG8-018-010			LID, BATT J049N	AB
8Z-HGA-007-010			FRAME, CENTER DB J034N	AB
8Z-HGA-013-010			KNOB, SL TAPE J	AB
87-067-384-010			SCREWVT1.4-3.5HL	AB
87-067-691-010			SCREW VT+1.7-6	AB
87-264-525-310			SCREW, V+1.7-2.5	AB
86-HKA-202-010			BAT-CONTACT, (+)	AB
86-HRM-205-010			SPR-T, CLICK	AB
8A-HRL-202-010			SPR-P, CASS	AB
8Z-HG8-202-010			HLDR, DC JACK	AB
8Z-HG8-203-010			BAT, CONTACT (-)	AB
8Z-HGA-201-010			PLATE, HEAD DOLBY J034N	AB

# ACCESSORIES / PACKAGE LIST-1/1

NOTE: The characters in the suffix column indicate the part usage.

REF.NO	PARTS NO.	NO.	DESCRIPTION	SUFFIX
302Y		XX		A
AP1Y		XX		B
		KANRI		
	8A-HGA-903-010	IB, Y	(EGFSI) C-GS302	A
	8A-HGA-904-010	IB, Y	(EDPOHCZ) C-GS302	A
	8A-HGA-905-010	IB, Y	(EGFSI) C-AP1MK9	.B
	8A-HGA-906-010	IB, Y	(EDPOHCZ) -AP1MK9	.B
	84-447-019-310		CLIP, BELT	AB
	87-B30-168-210		HEADPHONE, HP-MOO6 (K)	AB

SCHEMATIC DIAGRAM



L ▶

A4 ▶

**アイワ株式会社** 〒110-8710 東京都台東区池之端1-2-11 ☎03(3827)3111 (代表)

**AIWA CO.,LTD.** 2-11,IKENOHATA1-CHOME,TAITO-KU,TOKYO110,JAPAN TEL:03(3827)3111

9630469

Printed in Singapore