



HS-PS11

YU

HS-PS12

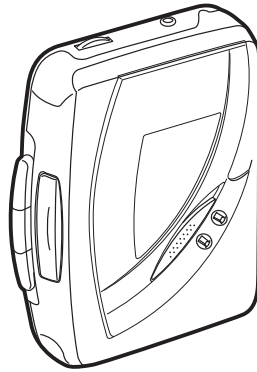
YU

HS-PS13

YU

HS-PS14

YU



SERVICE MANUAL

STEREO CASSETTE PLAYER

BASIC TAPE MECHANISM : 4ZM-2 P17NC

- This Service Manual contains information about the difference between HS-PS11/12/13/14 (YU) and HS-PS211(Y). If requiring other information, see Service Manual of HS-PS211(Y), (S/M Code No. 09-00B-438-1R1).

aiwa

S/M Code No. 09-00C-438-1S1

SUPPLEMENT
DATA

SPECIFICATIONS

Maximum output: 15 mW + 15 mW (EIAJ 32 ohms)
Power source: DC 3 V using two R6 (size AA) batteries
Maximum outside dimensions: 91.5 (W) x 116.5 (H) x 33.0 (D) mm
(3⁵/₈ x 4⁵/₈ x 1⁵/₁₆ in.)
(excluding projecting parts and control)
Weight: Approx.109 g (3.8 oz) (excluding batteries)

- Design and specifications are subject to change without notice.

ACCESSORIES / PACKAGE LIST

REF. NO.	PART NO.	KANRI NO.	DESCRIPTION
1	8B-HRL-046-010		CLIP, BELT J034N
2	87-B30-435-010		HEADPHONE, HP-M029 (V) < [V] PS14 >
2	87-B30-436-010		HEADPHONE, HP-M029 (BL) < [LA] PS11 >
2	87-B30-437-010		HEADPHONE, HP-M029 (G) < [GL] PS12 >
2	87-B30-438-010		HEADPHONE, HP-M029 (D) < [D] PS13 >
3	8B-HKA-906-010		IB, YU (ESF) -C

ELECTRICAL MAIN PARTS LIST

REF. NO.	PART NO.	KANRI NO.	DESCRIPTION
IC			
	87-A21-684-040	C-IC,TA2145AF	
MAIN C.B			
C1	87-012-277-080	C-CAP,U 1800P-50 K B	
C2	87-012-277-080	C-CAP,U 1800P-50 K B	
C3	87-012-284-080	C-CAP,U 6800P-50 K B	
C4	87-012-284-080	C-CAP,U 6800P-50 K B	
C5	87-015-674-040	CAP,E 22-6.3 M 7L SRA	
C6	87-015-674-040	CAP,E 22-6.3 M 7L SRA	
C7	87-012-277-080	C-CAP,U 1800P-50 K B	
C8	87-012-277-080	C-CAP,U 1800P-50 K B	
C9	87-012-274-080	C-CAP,U 1000P-50 K B	
C10	87-012-274-080	C-CAP,U 1000P-50 K B	
C11	87-A10-489-040	CAP,E 220-4 7L SR	
C12	87-A10-489-040	CAP,E 220-4 7L SR	
C14	87-015-681-040	CAP,E 10-16 7L SRA	
C15	87-010-831-080	C-CAP,U 0.1-16 Z F	
C17	87-A11-056-080	C-CAP,U 1-10 Z F	
C18	87-A11-056-080	C-CAP,U 1-10 Z F	
C27	87-010-831-080	C-CAP,U 0.1-16 Z F	
C51	87-015-695-040	CAP,E 1-50 7L SRA	
C401	87-A10-025-080	C-CAP,U 0.22-16 Z F	
C402	87-A10-025-080	C-CAP,U 0.22-16 Z F	
C403	87-010-831-080	C-CAP,U 0.1-16 Z F	
J1	85-HRL-623-010	JACK,3.5 BLK ST BLK	
R51	87-A00-530-080	C-RES, S 180-1/10W F	
SFR51	87-024-197-010	SFR,1K H VZ066L3	
SW1	87-A90-133-110	SW,LEAF LSA1120JAU	
VR1	87-A91-581-110	VR,RTRY 20KBX1	
FRONT C.B			
SW401	87-A92-020-010	C-SW,SL 1-1-2LONG (NC)	

○チップ抵抗部品コード/CHIP RESISTOR PART CODE

チップ抵抗部品コードの成り立ち

Chip Resistor Part Coding



A
抵抗部品コード
Resistor Code

桁表示
Figure
抵抗値
Value of resistor

チップ抵抗 Chip resistor

容量 Wattage	種類 Type	許容誤差 Tolerance	記号 Symbol	寸法/Dimensions (mm)			抵抗コード : A Resistor Code : A	
				外形/Form	L	W		t
1/16W	1005	± 5%	CJ		1.0	0.5	0.35	104
1/16W	1608	± 5%	CJ		1.6	0.8	0.45	108
1/10W	2125	± 5%	CJ		2	1.25	0.45	118
1/8W	3216	± 5%	CJ		3.2	1.6	0.55	128

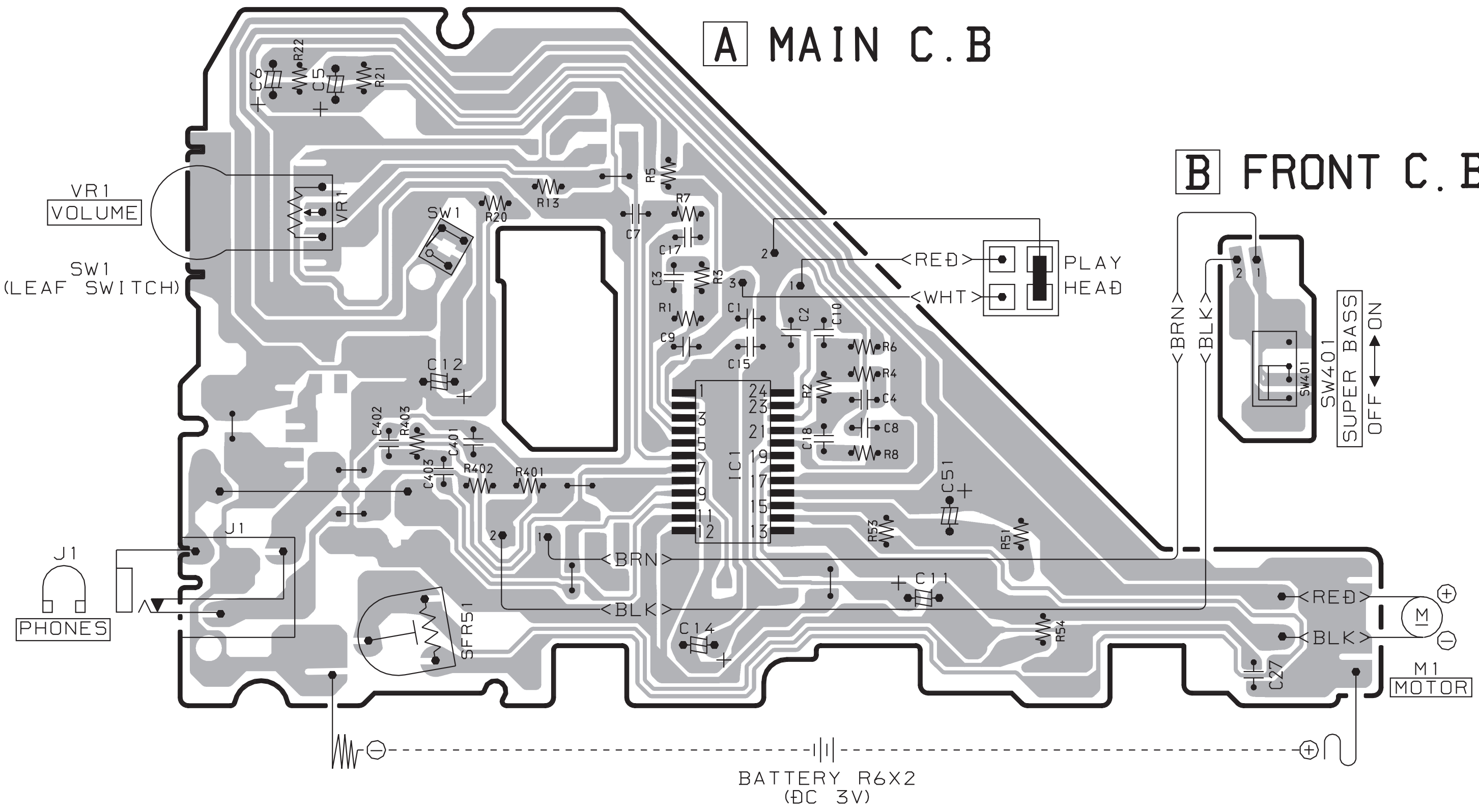
WIRING (MAIN/FRONT)

32 31 30 29 28 27 26 25 24 23 22 21 20 19 18 17 16 15 14 13 12 11 10 9 8 7 6 5 4 3 2 1

A
B
C
D
E
F
G
H
I
J
K
L
M
N
O
P
Q
R
S
T
U

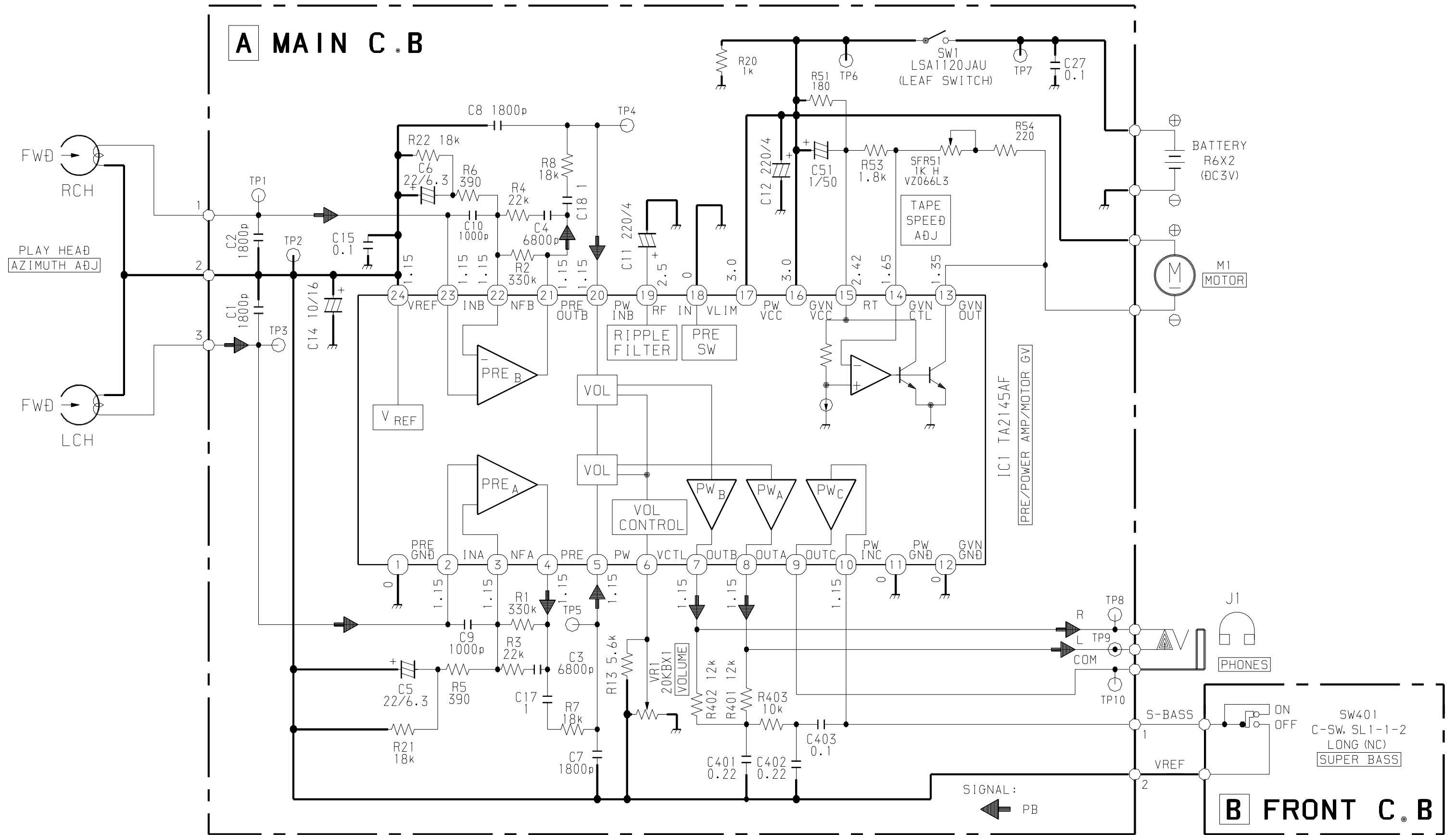
A MAIN C.B

B FRONT C.B

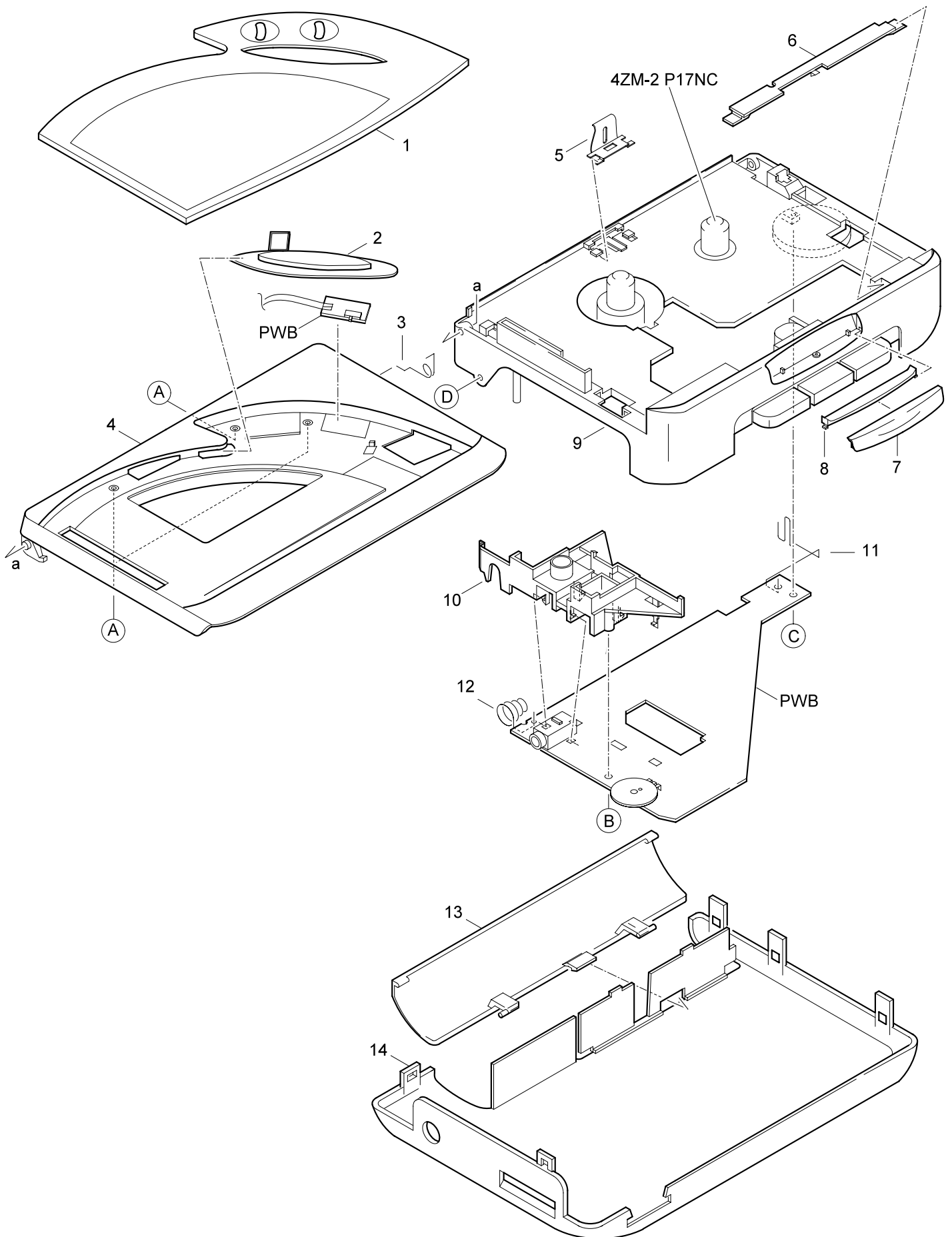


BATTERY R6X2
(DC 3V)

SCHEMATIC DIAGRAM (MAIN / FRONT)



MECHANICAL EXPLODED VIEW 1 / 1



MECHANICAL PARTS LIST 1 / 1

REF. NO.	PART NO.	KANRI NO.	DESCRIPTION
1	8B-HKA-037-010		PANEL, SBASS LGRE<[GL] PS12>
1	8B-HKA-038-010		PANEL, SBASS ORN<[D] PS13>
1	8B-HKA-039-010		PANEL, SBASS V10<[V] PS14>
1	8B-HKA-051-010		PANEL, SBASS ABLU<[LA] PS11>
2	8B-HRL-006-010		KNOB, SL SBASS
3	86-HRM-205-010		SPR-T, CLICK
4	8B-HKA-056-010		LID, CASS PS11<[LA] PS11>
4	8B-HKA-057-010		LID, CASS PS12<[GL] PS12>
4	8B-HKA-058-010		LID, CASS PS13<[D] PS13>
4	8B-HKA-059-010		LID, CASS PS14<[V] PS14>
5	8B-HRL-208-010		SPR-P, CASS
6	8B-HRL-204-010		PLATE, HEAD
7	8B-HRL-007-010		BTN, PLAY
8	8B-HRL-203-010		PLATE, BTN
9	8B-HRL-002-010		FRAME, CENTER
10	8Z-HKA-201-110		HLDR, JACK
11	8B-HKA-201-010		BAT-CONTACT, (+)
12	8Z-HKA-205-010		BAT-CONTACT, (-)
13	8B-HKA-047-010		LID, BATT LGRE<[GL] PS12>
13	8B-HKA-048-010		LID, BATT ORN<[D] PS13>
13	8B-HKA-049-010		LID, BATT V10<[V] PS14>
13	8B-HKA-053-010		LID, BATT ABLU<[LA] PS11>
14	8B-HKA-043-010		CABI, REAR LGRE<[GL] PS12>
14	8B-HKA-044-010		CABI, REAR ORN<[D] PS13>
14	8B-HKA-045-010		CABI, REAR V10<[V] PS14>
14	8B-HKA-052-010		CABI, REAR ABLU<[LA] PS11>
A	87-067-732-010		TAPPING SCREW, VT1.4-3
B	87-067-384-010		SCREWVT1.4-3.5HL
C	87-264-525-310		SCREW, V+1.7-2.5
D	87-067-815-110		VT+1.4-3 (HL)

COLOR NAME TABLE

Basic color symbol	Color	Basic color symbol	Color	Basic color symbol	Color
B	Black	C	Cream	D	Orange
G	Green	H	Gray	L	Blue
LT	Transparent Blue	N	Gold	P	Pink
R	Red	S	Silver	ST	Titan Silver
T	Brown	V	Violet	W	White
WT	Transparent White	Y	Yellow	YT	Transparent Yellow
LM	Metallic Blue	LL	Light Blue	GT	Transparent Green
LD	Dark Blue	DT	Transparent Orange	GM	Metallic Green
YM	Metallic Yellow	DM	Metallic Orange	PT	Transparent Pink
LA	Aqua Blue	GL	Light Green		

アイワ株式会社 〒110-8710 東京都台東区池之端1-2-11 ☎03(3827)3111 (代表)
AIWA CO.,LTD. 2-11, IKENOHATA 1-CHOME, TAITO-KU, TOKYO 110, JAPAN TEL:03 (3827) 3111