

aiwa



LCX-133 LCX-155

COMPACT DISC STEREO SYSTEM

• TYPE: EZ<133/155>,K<133>,
HR<155>

SIMPLE MANUAL

• Replace this Service Manual with "Revision Publishing" when it is issued.

MANUAL
SERVICE

ELECTRICAL MAIN PARTS LIST - 1 <LCX-133 EZ,K>

NOTE: The characters in the suffix column indicate the part usage.

REF.NO	PARTS NO.	KANRI NO.	DESCRIPTION	SUFFIX
KSC	XX	B
EZSC	XX	C
*	8Z-CL8-201-010		GUIDE ,LCD	ABC
C	161 87-010-178-080	0E	CHIP CAP 1000P	ABC
C	209 87-010-196-080	0E	CHIP CAPACITOR,0.1-25	ABC
C	203 87-010-197-080	0E	CAP, CHIP 0.01 DM	ABC
C	201 87-010-375-080	0E	CAP,E 330-10 SME	ABC
C	202 87-012-350-080	0E	C-CAP,1-25 F	ABC
C	208 87-015-819-080	0E	CAPACITOR,0.01	ABC
C	213 87-010-154-080	0E	CAP CHIP 10P	ABC
C	210 87-010-196-080	0E	CHIP CAPACITOR,0.1-25	ABC
C	217 87-010-196-080	0E	CHIP CAPACITOR,0.1-25	ABC
C	215 87-010-312-080	0E	C-CAP,S 15P-50 CH	.BC
C	211 87-010-314-080	0E	C-CAP,S 22P-50V	.BC
C	212 87-010-318-080	0E	C-CAP,S 47P-50 CH	ABC
C	216 87-010-400-080	0E	CAP, ELECT 0.47-50V	ABC
C	214 87-012-149-080	0E	C-CAP,S 30P-50 CH	ABC
CN	201 87-099-720-010	1B	CONN,30P TYK-B(P)	ABC
CN	202 87-A60-404-010		CONN,3P TKX-P03P-F1	ABC
D	3 87-020-465-080	0E	DIODE,1SS133 (110MA)	ABC
D	205 87-020-027-080	0E	CHIP-DIODE 1SS184	ABC
D	201 87-020-465-080	0E	DIODE,1SS133 (110MA)	ABC
D	202 87-020-465-080	0E	DIODE,1SS133 (110MA)	ABC
D	209 87-020-465-080	0E	DIODE,1SS133 (110MA)	ABC
D	211 87-020-465-080	0E	DIODE,1SS133 (110MA)	ABC
D	212 87-027-825-080	0E	ZENER,HZ9A3L	ABC
D	948 87-A40-365-040	0E	LED,L-1154 SGD	ABC
D	946 87-A40-365-040	0E	LED,L-1154 SGD	ABC
D	947 87-A40-365-040	0E	LED,L-1154 SGD	ABC
D	943 87-A40-365-040	0E	LED,L-1154 SGD	ABC
D	941 87-A40-365-040	0E	LED,L-1154 SGD	ABC
D	945 87-A40-365-040	0E	LED,L-1154 SGD	ABC
D	944 87-A40-365-040	0E	LED,L-1154 SGD	ABC
D	942 87-A40-365-040	0E	LED,L-1154 SGD	ABC
D	949 87-A40-365-040	0E	LED,L-1154 SGD	ABC
FB	2 87-A90-896-080	0E	F-BEAD, 035600STY7	ABC
IC	202 87-A20-914-010	1B	IC,SPS-442-1-F	ABC
IC	201 8Z-CL8-661-010	2A	IC,LC867240A	ABC
L	206 87-003-098-080	0E	COIL,2.2UH	ABC
LCD	201 8Z-CL8-665-010	1F	LCD,ZCL-8	ABC
Q	202 87-026-223-080	0E	TR,DTC143TK	ABC
Q	201 87-026-237-080	0E	CHIP-TR,DTC124XK	ABC
Q	203 89-320-011-080	0E	TR,2SC2001 (15W)	ABC
S	214 87-A90-095-080	0E	SW,TACT EVQ11G04M	ABC
S	215 87-A90-095-080	0E	SW,TACT EVQ11G04M	ABC
S	212 87-A90-095-080	0E	SW,TACT EVQ11G04M	ABC
S	213 87-A90-095-080	0E	SW,TACT EVQ11G04M	ABC
X	201 87-030-364-010	1A	VIB,XTAL 32.768K CT	.BC
X	202 87-A70-185-010	0E	VIB,CER 5.76MHZ TF21	ABC
	8Z-CL8-682-010	0E	FF-CABLE, 16P 1.0 180MM	ABC
C	5 87-010-197-080	0E	CAP, CHIP 0.01 DM	ABC
C	8 87-010-198-080	0E	CAP, CHIP 0.022	ABC
C	4 87-010-248-080	0E	CAP, ELECT 220-10V	ABC
C	9 87-010-263-080	0E	CAP, ELECT 100-10V	ABC
C	6 87-010-374-080	0E	CAP, ELECT 47-10V	ABC
C	3 87-010-401-040	0E	CAP,E 1-50 SME	ABC
C	1 87-010-406-080	0E	CAP, ELECT 22-50	ABC
C	13 87-010-197-080	0E	CAP, CHIP 0.01 DM	ABC
C	18 87-010-213-080	0E	C-CAP,S 0.015-50 B	ABC
C	10 87-010-263-080	0E	CAP, ELECT 100-10V	ABC
C	12 87-010-401-080	0E	CAP, ELECT 1-50V	ABC
C	14 87-010-405-080	0E	CAP, ELECT 10-50V	ABC
C	16 87-010-546-080	0E	CAP, ELECT 0.33-50V	ABC
C	24 87-010-180-080	0E	C-CER 1500P	ABC
C	34 87-010-186-080	0E	CAP,CHIP 4700P	ABC
C	35 87-010-197-080	0E	CAP, CHIP 0.01 DM	ABC
C	36 87-010-374-080	0E	CAP, ELECT 47-10V	ABC
C	33 87-010-403-080	0E	CAP, ELECT 3.3-50V	ABC
C	37 87-010-404-080	0E	CAP, ELECT 4.7-50V	ABC
C	32 87-010-406-080	0E	CAP, ELECT 22-50	ABC
C	31 87-010-545-080	0E	CAP, ELECT 0.22-50V	ABC
C	30 87-012-140-080	0E	CAP 470P	ABC
C	40 87-010-147-080	0E	C-CAP,S 3P-50 CH	ABC
C	44 87-010-176-080	0E	C-CAP,S 680P-50 SL	ABC
C	42 87-010-313-080	0E	CAP, CHIP 18P	ABC
C	48 87-010-315-080	0E	C-CAP,S 27P-50 CH	ABC
C	59 87-010-263-080	0E	CAP, ELECT 100-10V	ABC
C	57 87-010-314-080	0E	C-CAP,S 22P-50V	ABC
C	58 87-010-314-080	0E	C-CAP,S 22P-50V	ABC
C	62 87-010-248-080	0E	CAP, ELECT 220-10V	ABC
C	65 87-010-404-080	0E	CAP, ELECT 4.7-50V	ABC
C	77 87-010-112-080	0E	CAP, ELECT 100-16V	ABC
C	87 87-010-183-080	0E	C-CAP,S 2700P-50 B	ABC
C	86 87-010-183-080	0E	C-CAP,S 2700P-50 B	ABC
C	82 87-010-405-080	0E	CAP, ELECT 10-50V	ABC
C	81 87-010-405-080	0E	CAP, ELECT 10-50V	ABC
C	95 87-010-196-080	0E	CHIP CAPACITOR,0.1-25	ABC

ELECTRICAL MAIN PARTS LIST - 2 <LCX-133 EZ,K>

C	93	87-010-197-080	0E	CAP, CHIP 0.01 DM	ABC
C	94	87-010-263-080	0E	CAP, ELECT 100-10V	ABC
C	91	87-010-380-080	0E	CAP, ELECT 47-16V	ABC
C	98	87-012-154-080	0E	C-CAP,S 150P-50 CH	ABC
C	96	87-016-459-040	0E	CAP,E 470-10 SMG	ABC
C	103	87-010-297-080	0E	CAP CHIO 100P	ABC
C	102	87-010-322-080	0E	C-CAP,S 100P-50 CH	ABC
C	101	87-010-322-080	0E	C-CAP,S 100P-50 CH	ABC
C	106	87-010-322-080	0E	C-CAP,S 100P-50 CH	ABC
C	111	87-010-235-080	0E	CAP,E 470-16 SME	ABC
C	112	87-010-235-080	0E	CAP,E 470-16 SME	ABC
C	133	87-012-365-080	0E	C-CAP,S 0.027-25VBK	ABC
C	156	87-010-178-080	0E	CHIP CAP 1000P	ABC
C	153	87-010-194-080	0E	CAP, CHIP 0.047	ABC
C	151	87-010-194-080	0E	CAP, CHIP 0.047	ABC
C	159	87-010-309-080	0E	C-CAP,1000P-50 CH	ABC
C	152	87-012-359-080	0E	C-CAP,S 0.68-10 FZ	ABC
C	158	87-012-359-080	0E	C-CAP,S 0.68-10 FZ	ABC
C	155	87-012-359-080	0E	C-CAP,S 0.68-10 FZ	ABC
C	163	87-010-318-080	0E	C-CAP,S 47P-50 CH	ABC
CN	3	87-009-034-010	0E	CONN,6P PH V	ABC
CN	5	87-009-345-010	0E	CONN,2P PH H	ABC
CN	4	87-A60-248-010	0E	CONN,16P H CFF1416	ABC
CNA	0	8Z-CL8-681-010		CONN ASSY,6P CD MOTOR	ABC
D	2	87-020-465-080	0E	DIODE,1SS133 (110MA)	ABC
D	1	87-020-465-080	0E	DIODE,1SS133 (110MA)	ABC
D	11	87-070-274-080	0E	DIODE,1N4003 SEM	ABC
FB	3	87-A90-896-080	0E	F-BEAD, 035600STY7	ABC
IC	1	87-A20-446-010	1E	C-IC,LA9241ML	ABC
IC	2	87-A20-459-010	2A	C-IC,LC78622ED	ABC
IC	3	87-A20-856-010	1D	IC,BA6898S	ABC
PIN	2	86-NFZ-222-010	0E	PIN,DIAL-6.5	ABC
Q	1	87-026-463-080	0E	TR,2SA933S (0.3W)	ABC
Q	91	87-026-210-080	0E	CHIP-TR,DTC144EK	ABC
Q	90	87-026-211-080	0E	TR,DTA144EK	ABC
Q	93	87-026-610-080	0E	TR,KTC3198GR	ABC
Q	94	89-112-965-080	0E	TR,2SA1296 (0.75W)	ABC
Q	92	89-213-702-010	1A	TR,2SB1370 (1.8W)	ABC
X	1	87-A70-182-010	1A	VIB,XTAL 16.9344MHZ HC-49/U	ABC
C	700	87-010-179-080	0E	CAP,CHIP S B1200P	.BC
C	701	87-010-179-080	0E	CAP,CHIP S B1200P	.BC
S	1	87-A90-178-010	0E	SW SL1-1-2	A..
T	2	87-A60-317-010	0E	TERMINAL, 1P MSC	ABC
T	1	87-A60-317-010	0E	TERMINAL, 1P MSC	ABC
C	208	87-010-213-080	0E	C-CAP,S 0.015-50 B	ABC
C	209	87-010-213-080	0E	C-CAP,S 0.015-50 B	ABC
C	205	87-010-401-080	0E	CAP, ELECT 1-50V	ABC
C	204	87-010-401-080	0E	CAP, ELECT 1-50V	ABC
C	203	87-010-405-080	0E	CAP, ELECT 10-50V	ABC
C	206	87-016-128-080	0E	CAP,E 22-25 105	ABC
C	207	87-016-142-080		CAP,E 2.2-50 KME	ABC
C	213	87-010-248-080	0E	CAP, ELECT 220-10V	ABC
C	219	87-010-385-080	0E	CAP, ELECT 220-25V	ABC
C	216	87-012-368-080	0E	C-CAP,S 0.1-50 F	ABC
C	215	87-016-133-080		CAP,E 330-25 KME	ABC
C	217	87-016-142-080		CAP,E 2.2-50 KME	ABC
C	222	87-010-237-080	1A	CAP, ELECT 1000-16V	ABC
C	220	87-010-237-080	1A	CAP, ELECT 1000-16V	ABC
C	221	87-010-385-080	0E	CAP, ELECT 220-25V	ABC
C	245	87-010-197-080	0E	CAP, CHIP 0.01 DM	ABC
C	242	87-010-197-080	0E	CAP, CHIP 0.01 DM	ABC
C	243	87-010-197-080	0E	CAP, CHIP 0.01 DM	ABC
C	241	87-010-197-080	0E	CAP, CHIP 0.01 DM	ABC
D	201	87-020-465-080	0E	DIODE,1SS133 (110MA)	ABC
D	202	87-020-465-080	0E	DIODE,1SS133 (110MA)	ABC
IC	201	87-A20-734-010	1C	IC,TDA2007A	ABC
J	201	87-A60-420-010	1A	JACK,3.5 ST (MSC)	ABC
J	202	87-A60-754-010	0E	TERMINAL,SPK 4P MSP-154V-05	ABC
L	202	87-005-366-010	1A	COIL, 1UH	ABC
L	201	87-005-366-010	1A	COIL, 1UH	ABC
Q	204	87-026-218-080	0E	TR,DTC144ES (0.2W)	ABC
Q	202	87-026-313-080	0E	TR,DTC343TS	ABC
Q	201	87-026-313-080	0E	TR,DTC343TS	ABC
Q	205	87-026-609-080	0E	TR,KTA1266GR	ABC
Q	203	89-213-702-010	1A	TR,2SB1370 (1.8W)	ABC
C	109	87-010-404-080	0E	CAP, ELECT 4.7-50V	ABC
C	129	87-010-192-080	0E	C-CAP,S 0.022-50 F	ABC
C	128	87-010-192-080	0E	C-CAP,S 0.022-50 F	ABC
C	127	87-010-403-080	0E	CAP, ELECT 3.3-50V	ABC
C	125	87-010-928-090	1B	CAP,E 4700-25 SMG	ABC
C	135	87-010-101-080	0E	CAP, ELECT 220-16	ABC
C	136	87-010-112-080	0E	CAP, ELECT 100-16V	ABC
C	134	87-010-178-080	0E	CHIP CAP 1000P	.BC
C	132	87-010-178-080	0E	CHIP CAP 1000P	.BC
C	133	87-010-178-080	0E	CHIP CAP 1000P	.BC
C	132	87-010-190-080	0E	S CHIP F 0.01	ABC
C	133	87-010-190-080	0E	S CHIP F 0.01	ABC
C	131	87-010-192-080	0E	C-CAP,S 0.022-50 F	ABC
C	130	87-010-192-080	0E	C-CAP,S 0.022-50 F	ABC
C	138	87-010-197-080	0E	CAP, CHIP 0.01 DM	ABC
C	137	87-010-260-080	0E	CAP, ELECT 47-25V	ABC
C	143	87-010-263-080	0E	CAP, ELECT 100-10V	ABC

ELECTRICAL MAIN PARTS LIST - 3 <LCX-133 EZ,K>

C	141	87-012-140-080	0E	CAP 470P	ABC
C	144	87-018-134-080	0E	CAPACITOR,TC-U 0.01-16	ABC
CF	102	87-033-213-080	0E	CLAMP, FUSE	ABC
CF	101	87-033-213-080	0E	CLAMP, FUSE	ABC
D	102	87-020-465-080	0E	DIODE,1SS133 (110MA)	ABC
D	101	87-020-465-080	0E	DIODE,1SS133 (110MA)	ABC
D	100	87-020-465-080	0E	DIODE,1SS133 (110MA)	ABC
D	108	87-A40-393-090	0E	DIODE,1N5402GW(F20)	ABC
D	114	87-017-932-080	0E	ZENER,MTJ6.2B	ABC
D	116	87-020-465-080	0E	DIODE,1SS133 (110MA)	ABC
D	113	87-020-465-080	0E	DIODE,1SS133 (110MA)	ABC
D	115	87-070-334-080	0E	ZENER,MTZJ10B	ABC
F	101	87-035-416-010	0E	FUSE,T3A 250V UL	ABC
F	101	87-035-457-010	0E	FUSE,3.15A 250V TW/C	ABC
J	101	87-099-608-010	1A	JACK, DC HEC3800	..C
PR	101	87-026-689-080	0E	PROTECTOR,1A 60V 491	ABC
PR	101	87-035-495-080	1C	FUSE,3/4A 125V D/U/C	ABC
PR	100	87-A90-069-080	1A	FUSE,2A 125V 251	ABC
PR	100	87-A90-091-080	1A	PROTECTOR,2A 491	ABC
Q	104	87-026-610-080	0E	TR,KTC3198GR	ABC
Q	108	87-026-610-080	0E	TR,KTC3198GR	ABC
Q	103	87-026-610-080	0E	TR,KTC3198GR	ABC
Q	106	87-026-610-080	0E	TR,KTC3198GR	ABC
Q	107	87-A30-185-010	1A	TR,2SD1381FQR	ABC
Q	111	87-026-610-080	0E	TR,KTC3198GR	ABC
Q	110	89-213-702-010	1A	TR,2SB1370 (1.8W)	ABC
R	130	87-A00-506-090		RES,FUSE 150-1/4W J	ABC
W	2	8Z-CL8-690-010		F-CABLE,2P 2.5 180MM	ABC
		8Z-CL8-686-010		CONN ASSY,8P RPH	ABC
C	408	87-010-248-080	0E	CAP, ELECT 220-10V	ABC
C	401	87-010-322-080	0E	C-CAP,S 100P-50 CH	ABC
C	402	87-010-401-080	0E	CAP, ELECT 1-50V	ABC
C	407	87-010-405-080	0E	CAP, ELECT 10-50V	ABC
C	409	87-010-405-080	0E	CAP, ELECT 10-50V	ABC
C	405	87-010-406-080	0E	CAP, ELECT 22-50	ABC
C	410	87-010-322-080	0E	C-CAP,S 100P-50 CH	ABC
C	413	87-010-401-080	0E	CAP, ELECT 1-50V	ABC
C	412	87-010-406-080	0E	CAP, ELECT 22-50	ABC
C	418	87-010-426-080	0E	C-CAP,S 0.012-25 B	ABC
C	415	87-010-426-080	0E	C-CAP,S 0.012-25 B	ABC
C	419	87-012-140-080	0E	CAP 470P	.BC
C	422	87-010-112-080	0E	CAP, ELECT 100-16V	ABC
C	429	87-010-178-080	0E	CHIP CAP 1000P	ABC
C	420	87-010-197-080	0E	CAP, CHIP 0.01 DM	.BC
C	430	87-010-178-080	0E	CHIP CAP 1000P	ABC
C	431	87-010-178-080	0E	CHIP CAP 1000P	ABC
C	432	87-010-264-080	0E	CAP,E 100-10 5L	ABC
C	434	87-015-695-080	0E	CAP,E 1-50 7L	ABC
CN	401	87-009-036-010	0E	CONNECTOR, 8P PH V WHT	ABC
D	405	87-020-465-080	0E	DIODE,1SS133 (110MA)	ABC
D	404	87-020-465-080	0E	DIODE,1SS133 (110MA)	ABC
IC	401	87-001-596-010	1B	IC,NJM4580L	ABC
L	401	88-CL6-609-010		COIL,BIAS 8CL6	ABC
Q	403	87-CD7-603-080	0E	TR,SS8050	ABC
SW	401	8Z-CL8-668-010		SW,RP ZCL8	ABC
C	306	87-010-322-080	0E	C-CAP,S 100P-50 CH	ABC
C	301	87-010-401-080	0E	CAP, ELECT 1-50V	ABC
C	302	87-010-401-080	0E	CAP, ELECT 1-50V	ABC
C	304	87-010-545-080	0E	CAP, ELECT 0.22-50V	ABC
C	309	87-010-545-080	0E	CAP, ELECT 0.22-50V	ABC
C	305	87-010-545-080	0E	CAP, ELECT 0.22-50V	ABC
C	308	87-010-545-080	0E	CAP, ELECT 0.22-50V	ABC
C	311	87-010-182-080	0E	C-CAP,S 2200P-50 B	ABC
C	310	87-010-263-080	0E	CAP, ELECT 100-10V	ABC
C	312	87-010-263-080	0E	CAP, ELECT 100-10V	ABC
C	316	87-010-404-080	0E	CAP, ELECT 4.7-50V	ABC
C	319	87-010-404-080	0E	CAP, ELECT 4.7-50V	ABC
C	315	87-010-404-080	0E	CAP, ELECT 4.7-50V	ABC
C	317	87-010-405-080	0E	CAP, ELECT 10-50V	ABC
C	314	87-010-405-080	0E	CAP, ELECT 10-50V	ABC
C	318	87-010-405-080	0E	CAP, ELECT 10-50V	ABC
C	313	87-010-405-080	0E	CAP, ELECT 10-50V	ABC
C	320	87-010-404-080	0E	CAP, ELECT 4.7-50V	ABC
C	339	87-010-178-080	0E	CHIP CAP 1000P	.BC
C	336	87-010-197-080	0E	CAP, CHIP 0.01 DM	ABC
C	337	87-010-197-080	0E	CAP, CHIP 0.01 DM	ABC
CN	301	87-099-719-010	1B	CONN,30P TYK-B(X)	ABC
D	302	87-070-136-080	0E	ZENER,MTZJ5.1B	ABC
D	301	87-A40-347-080	0E	ZENER,MTZJ2.2B	ABC
IC	301	87-A20-715-010	1C	IC,M62439SP	ABC
J	301	87-A60-881-010	0E	JACK,PIN 2P MSP 242V05 PBSN	ABC
L	301	87-003-098-080	0E	COIL,2.2UH	ABC
Q	300	87-026-610-080	0E	TR,KTC3198GR	ABC
C	803	87-018-047-080	0E	CAP, CER 0.01-16V	.BC
C	820	87-010-260-080	0E	CAP, ELECT 47-25V	ABC
C	909	87-012-286-080	0E	CAP, U 0.01-25	ABC
C	910	87-012-286-080	0E	CAP, U 0.01-25	ABC
C	942	87-012-172-080	0E	CAPACITOR CHIP U 10P CH	.BC
C	940	87-012-286-080	0E	CAP, U 0.01-25	ABC
C	947	87-012-286-080	0E	CAP, U 0.01-25	ABC
C	949	87-A10-039-080	0E	C-CAP,U 470P-50 J CH	.BC
C	958	87-010-197-080	0E	CAP, CHIP 0.01 DM	.BC

ELECTRICAL MAIN PARTS LIST - 4 <LCX-133 EZ,K>

C	959	87-010-831-080	0E	C-CAP,U,0.1-16F	ABC
C	952	87-012-286-080	0E	CAP,U 0.01-25	ABC
C	963	87-010-196-080	0E	CHIP CAPACITOR,0.1-25	ABC
C	962	87-010-401-080	0E	CAP,ELECT 1-50V	.BC
C	961	87-012-170-080	0E	C-CAP,U 8P-50 CH	A
CF	802	82-785-747-010	1A	CF MS2 GHY R	.BC
CF	802	87-008-261-010	1A	FILTER,SFE10.7MA5-A	A
CF	801	87-008-261-010	1A	FILTER,SFE10.7MA5-A	A
CF	801	87-008-423-010	1A	CERAMIC FILTER,SFE10.7	.BC
D	944	87-020-465-080	0E	DIODE,1SS133 (110MA)	.BC
D	942	87-A40-270-080	0E	C-DIODE,MC2838	.BC
FFE	801	A8-6ZA-19C-170	2A	6ZA-1 YFEENC	.BC
FFE	801	A8-6ZA-19D-070	1H	6ZA-1 YFEJNC	
FFE	801	A8-8ZA-193-070	1E	8ZA-1 YFEUNC	A
J	801	87-A60-202-010	1A	TERMINAL,ANT 4P MSP-154V-02	A
J	801	87-A60-880-010	1A	TERMINAL,ANT-PAL 2P MSP-313V-0	.BC
L	832	87-005-847-080	0E	COIL,2.2UH(CECS)	.BC
L	942	87-A50-019-010	0E	COIL,OSC LW(COI)	.BC
L	941	87-A50-020-010	0E	COIL,ANT LW(COI)	.BC
L	981	87-NF4-650-010	1D	COIL,AM PACK 4N(TOK)	A
L	981	87-NF4-651-110	1C	COIL,AM PACK2N(TOM)	.BC
Q	806	87-A30-072-080	0E	C-TR,RT1P 144C	ABC
Q	805	89-327-143-080	0E	TR,2SC2714 (0.1W)	ABC
Q	948	87-A30-086-070	0E	C-TR,CSD1306E	.BC
Q	947	89-505-434-540	0E	C-FET,2SK543(4/5)	.BC
Q	951	87-A30-074-080	0E	C-TR,RT1P 141C	.BC
Q	952	87-A30-086-070	0E	C-TR,CSD1306E	.BC
TC	942	87-011-164-010	0E	CAPACITOR,TRIMMER 30P	.BC
C	758	87-012-167-080	0E	C-CAP,U 5P-50 CH	ABC
C	757	87-012-188-080	0E	C-CAP,U 47P-50 CH	ABC
C	753	87-012-195-080	0E	C-CAP,U 100P-50CH	.BC
C	755	87-012-286-080	0E	CAP,U 0.01-25	ABC
C	766	87-010-197-080	0E	CAP,CHIP 0.01 DM	.BC
C	769	87-010-260-080	0E	CAP,ELECT 47-25V	ABC
C	763	87-010-829-080	0E	CAP,U 0.047-16	ABC
C	762	87-012-286-080	0E	CAP,U 0.01-25	ABC
C	764	87-012-337-080	0E	C-CAP,U 56P-50 CH	A
C	773	87-010-196-080	0E	CHIP CAPACITOR,0.1-25	ABC
C	774	87-010-263-080	0E	CAP,ELECT 100-10V	ABC
C	771	87-010-383-080	0E	CAP,ELECT 33-25V	ABC
C	777	87-010-400-080	0E	CAP,ELECT 0.47-50V	ABC
C	775	87-010-404-080	0E	CAP,ELECT 4.7-50V	ABC
C	772	87-010-829-080	0E	CAP,U 0.047-16	ABC
C	770	87-010-829-080	0E	CAP,U 0.047-16	ABC
C	780	87-010-196-080	0E	CHIP CAPACITOR,0.1-25	ABC
C	785	87-010-401-080	0E	CAP,ELECT 1-50V	ABC
C	786	87-010-401-080	0E	CAP,ELECT 1-50V	ABC
C	785	87-010-405-080	0E	CAP,ELECT 10-50V	ABC
C	786	87-010-405-080	0E	CAP,ELECT 10-50V	ABC
C	787	87-012-284-080	0E	CAP,U 6800P-50	.BC
C	788	87-012-284-080	0E	CAP,U 6800P-50	.BC
C	796	87-010-403-080	0E	CAP,ELECT 3.3-50V	ABC
C	794	87-010-406-080	0E	CAP,ELECT 22-50	ABC
C	795	87-010-596-080	0E	CAP,S 0.047-16	ABC
C	799	87-010-829-080	0E	CAP,U 0.047-16	ABC
C	793	87-012-273-080	0E	C-CAP,U 820P-50 B	A
C	793	87-012-275-080	0E	C-CAP,U 1200P-50 B	ABC
C	797	87-012-278-080	0E	C-CAP,U 2200P-50 B	ABC
C	798	87-012-278-080	0E	C-CAP,U 2200P-50 B	ABC
D	773	87-020-465-080	0E	DIODE,1SS133 (110MA)	ABC
IC	771	87-A20-913-010	1D	IC,LA1837NL	ABC
L	771	87-A50-266-010	1A	COIL,FM DET-2N(TOK)	ABC
L	772	87-A90-733-010	1A	FLTR,PCFAZH-450 (TOK)	ABC
L	781	87-005-847-080	0E	COIL,2.2UH(CECS)	.BC
C	701	87-010-381-080	0E	CAP,ELECT 330-16V	ABC
C	702	87-010-404-080	0E	CAP,ELECT 4.7-50V	ABC
C	711	87-010-263-080	0E	CAP,ELECT 100-10V	ABC
C	712	87-010-831-080	0E	C-CAP,U,0.1-16F	ABC
C	718	87-012-179-080	0E	C-CAP,U 20P-50 CH	A
C	715	87-012-195-080	0E	C-CAP,U 100P-50CH	ABC
C	713	87-012-286-080	0E	CAP,U 0.01-25	ABC
C	727	87-010-196-080	0E	CHIP CAPACITOR,0.1-25	ABC
C	728	87-010-248-080	0E	CAP,ELECT 220-10V	ABC
C	721	87-012-176-080	0E	CAP 15P	ABC
C	722	87-012-176-080	0E	CAP 15P	ABC
C	725	87-012-274-080	0E	CHIP CAP,U 1000P-50B	ABC
C	725	87-018-131-080	0E	CAP,CER 1000P-50V	.BC
D	722	87-020-465-080	0E	DIODE,1SS133 (110MA)	.BC
D	721	87-A40-234-080	0E	ZENER,MTZJ5.6A	.BC
IC	721	87-070-127-110	1C	IC,LC72131 D	ABC
Q	711	87-A30-196-080	0E	TR,2SC4115SRS	ABC
X	721	87-A70-061-010	1A	VIB,XTAL 4.500MHZ CSA-309	ABC
		87-050-098-010	1B	AC CODE ASSY,D	
		87-050-108-010		AC CORD ASSY,K 3PH	.B
		87-A80-092-010	1C	AC CORD ASSY,E BLK SUN FAI	A.C
PT	101	8Z-CL8-641-010	2A	PT,D LOW	
PT	101	8Z-CL8-643-010	2A	PT,EZ LOW	.BC
PT	101	8Z-CL8-645-010	2A	PT,LH LOW	A

ELECTRICAL MAIN PARTS LIST - 1 <LCX-155 EZ,HR>

NOTE: The characters in the suffix column indicate the part usage.

REF.NO	PARTS NO.	NO.	DESCRIPTION	SUFFIX
HRJS	XX	A
EZS	XX	B
		KANRI		
C	161	8Z-CL8-201-010	GUIDE ,LCD	AB
C	209	87-010-178-080	0E CHIP CAP 1000P	AB
C	203	87-010-196-080	0E CHIP CAPACITOR,0.1-25	AB
C	201	87-010-197-080	0E CAP, CHIP 0.01 DM	AB
C	202	87-010-375-080	0E CAP,E 330-10 SME	AB
C	208	87-012-350-080	0E C-CAP,1-25 F	AB
C	213	87-015-819-080	0E CAPACITOR,0.01	AB
C	210	87-010-154-080	0E CAP CHIP 10P	AB
C	217	87-010-196-080	0E CHIP CAPACITOR,0.1-25	AB
C	215	87-010-196-080	0E CHIP CAPACITOR,0.1-25	AB
C	211	87-010-312-080	0E C-CAP,S 15P-50 CH	.B
C	212	87-010-314-080	0E C-CAP,S 22P-50V	.B
C	216	87-010-318-080	0E C-CAP,S 47P-50 CH	AB
C	214	87-010-400-080	0E CAP, ELECT 0.47-50V	AB
C	201	87-012-149-080	0E C-CAP,S 30P-50 CH	AB
CN	202	87-099-720-010	1B CONN,30P TYK-B(P)	AB
CN	202	87-A60-404-010	CONN,3P TKX-P03P-F1	AB
D	3	87-020-465-080	0E DIODE,1SS133 (110MA)	AB
D	205	87-020-027-080	0E CHIP-DIODE 1SS184	.B
D	201	87-020-465-080	0E DIODE,1SS133 (110MA)	AB
D	202	87-020-465-080	0E DIODE,1SS133 (110MA)	AB
D	209	87-020-465-080	0E DIODE,1SS133 (110MA)	AB
D	211	87-020-465-080	0E DIODE,1SS133 (110MA)	AB
D	212	87-027-825-080	0E ZENER,HZ9A3L	AB
D	941	87-A40-365-040	0E LED,L-1154 SGD	AB
D	949	87-A40-365-040	0E LED,L-1154 SGD	AB
D	942	87-A40-365-040	0E LED,L-1154 SGD	AB
D	947	87-A40-365-040	0E LED,L-1154 SGD	AB
D	948	87-A40-365-040	0E LED,L-1154 SGD	AB
D	945	87-A40-365-040	0E LED,L-1154 SGD	AB
D	944	87-A40-365-040	0E LED,L-1154 SGD	AB
D	946	87-A40-365-040	0E LED,L-1154 SGD	AB
D	943	87-A40-365-040	0E LED,L-1154 SGD	AB
FB	2	87-A90-896-080	0E F-BEAD, 035600STY7	AB
IC	202	87-A20-914-010	1B IC,SPS-442-1-F	AB
IC	201	8Z-CL8-661-010	2A IC,LC867240A	AB
L	206	87-003-098-080	0E COIL,2.2UH	AB
LCD	201	8Z-CL8-665-010	1F LCD,ZCL-8	AB
Q	202	87-026-223-080	0E TR,DTC143TK	AB
Q	201	87-026-237-080	0E CHIP-TR,DTC124XK	AB
Q	203	89-320-011-080	0E TR,2SC2001 (15W)	AB
S	213	87-A90-095-080	0E SW,TACT EVQ11G04M	AB
S	215	87-A90-095-080	0E SW,TACT EVQ11G04M	AB
S	214	87-A90-095-080	0E SW,TACT EVQ11G04M	AB
S	212	87-A90-095-080	0E SW,TACT EVQ11G04M	AB
X	201	87-030-364-010	1A VIB,XTAL 32.768K CT	.B
X	202	87-A70-185-010	0E VIB,CER 5.76MHZ TF21	AB
		8Z-CL8-681-010	CONN ASSY,6P CD MOTOR	AB
		8Z-CL8-682-010	0E FF-CABLE, 16P 1.0 180MM	AB
C	5	87-010-197-080	0E CAP, CHIP 0.01 DM	AB
C	8	87-010-198-080	0E CAP, CHIP 0.022	AB
C	4	87-010-248-080	0E CAP, ELECT 220-10V	AB
C	9	87-010-263-080	0E CAP, ELECT 100-10V	AB
C	6	87-010-374-080	0E CAP, ELECT 47-10V	AB
C	3	87-010-401-040	0E CAP,E 1-50 SME	AB
C	1	87-010-406-080	0E CAP, ELECT 22-50	AB
C	15	87-010-196-080	0E CHIP CAPACITOR,0.1-25	AB
C	13	87-010-197-080	0E CAP, CHIP 0.01 DM	AB
C	18	87-010-213-080	0E C-CAP,S 0.015-50 B	AB
C	10	87-010-263-080	0E CAP, ELECT 100-10V	AB
C	12	87-010-401-080	0E CAP, ELECT 1-50V	AB
C	14	87-010-405-080	0E CAP, ELECT 10-50V	AB
C	16	87-010-546-080	0E CAP, ELECT 0.33-50V	AB
C	24	87-010-180-080	0E C-CER 1500P	AB
C	34	87-010-186-080	0E CAP,CHIP 4700P	AB
C	38	87-010-196-080	0E CHIP CAPACITOR,0.1-25	AB
C	35	87-010-197-080	0E CAP, CHIP 0.01 DM	AB
C	36	87-010-374-080	0E CAP, ELECT 47-10V	AB
C	33	87-010-403-080	0E CAP, ELECT 3.3-50V	AB
C	37	87-010-404-080	0E CAP, ELECT 4.7-50V	AB
C	32	87-010-406-080	0E CAP, ELECT 22-50	AB
C	31	87-010-545-080	0E CAP, ELECT 0.22-50V	AB
C	30	87-012-140-080	0E CAP 470P	AB
C	40	87-010-147-080	0E C-CAP,S 3P-50 CH	AB
C	44	87-010-176-080	0E C-CAP,S 680P-50 SL	AB
C	45	87-010-196-080	0E CHIP CAPACITOR,0.1-25	AB
C	46	87-010-196-080	0E CHIP CAPACITOR,0.1-25	AB
C	42	87-010-313-080	0E CAP, CHIP 18P	AB
C	48	87-010-315-080	0E C-CAP,S 27P-50 CH	AB
C	59	87-010-263-080	0E CAP, ELECT 100-10V	AB
C	58	87-010-314-080	0E C-CAP,S 22P-50V	AB
C	57	87-010-314-080	0E C-CAP,S 22P-50V	AB
C	61	87-010-196-080	0E CHIP CAPACITOR,0.1-25	AB
C	62	87-010-248-080	0E CAP, ELECT 220-10V	AB
C	65	87-010-404-080	0E CAP, ELECT 4.7-50V	AB

ELECTRICAL MAIN PARTS LIST - 2 <LCX-155 EZ,HR>

C	77	87-010-112-080	0E	CAP, ELECT 100-16V	AB
C	73	87-010-196-080	0E	CHIP CAPACITOR,0.1-25	AB
C	78	87-010-196-080	0E	CHIP CAPACITOR,0.1-25	AB
C	74	87-010-196-080	0E	CHIP CAPACITOR,0.1-25	AB
C	72	87-010-196-080	0E	CHIP CAPACITOR,0.1-25	AB
C	71	87-010-196-080	0E	CHIP CAPACITOR,0.1-25	AB
C	87	87-010-183-080	0E	C-CAP,S 2700P-50 B	AB
C	86	87-010-183-080	0E	C-CAP,S 2700P-50 B	AB
C	82	87-010-405-080	0E	CAP, ELECT 10-50V	AB
C	81	87-010-405-080	0E	CAP, ELECT 10-50V	AB
C	93	87-010-197-080	0E	CAP, CHIP 0.01 DM	AB
C	94	87-010-263-080	0E	CAP, ELECT 100-10V	AB
C	91	87-010-380-080	0E	CAP, ELECT 47-16V	AB
C	98	87-012-154-080	0E	C-CAP,S 150P-50 CH	AB
C	96	87-016-459-040	0E	CAP,E 470-10 SMG	AB
C	103	87-010-297-080	0E	CAP CHIO 100P	AB
C	102	87-010-322-080	0E	C-CAP,S 100P-50 CH	AB
C	101	87-010-322-080	0E	C-CAP,S 100P-50 CH	AB
C	106	87-010-322-080	0E	C-CAP,S 100P-50 CH	AB
C	112	87-010-235-080	0E	CAP,E 470-16 SME	AB
C	111	87-010-235-080	0E	CAP,E 470-16 SME	AB
C	133	87-012-365-080	0E	C-CAP,S 0.027-25VBK	AB
C	156	87-010-178-080	0E	CHIP CAP 1000P	AB
C	153	87-010-194-080	0E	CAP, CHIP 0.047	AB
C	159	87-010-309-080	0E	C-CAP,1000P-50 CH	AB
C	155	87-012-157-080	0E	C-CAP,S 330P-50 CH	AB
C	152	87-012-359-080	0E	C-CAP,S 0.68-10 FZ	AB
C	163	87-010-318-080	0E	C-CAP,S 47P-50 CH	AB
CN	3	87-009-034-010	0E	CONN,6P PH V	AB
CN	5	87-009-345-010	0E	CONN,2P PH H	AB
CN	4	87-A60-248-010	0E	CONN,16P H CFF1416	AB
D	1	87-020-465-080	0E	DIODE,1SS133 (110MA)	AB
D	2	87-020-465-080	0E	DIODE,1SS133 (110MA)	AB
D	11	87-070-274-080	0E	DIODE,1N4003 SEM	AB
FB	1	87-A90-896-080	0E	F-BEAD, 035600STY7	AB
IC	1	87-A20-446-010	1E	C-IC,LA9241ML	AB
IC	2	87-A20-459-010	2A	C-IC,LC78622ED	AB
IC	3	87-A20-856-010	1D	IC,BA6898S	AB
PIN	1	86-NFZ-222-010	0E	PIN,DIA1-6.5	AB
Q	1	87-026-463-080	0E	TR,2SA933S (0.3W)	AB
Q	91	87-026-210-080	0E	CHIP-TR,DTC144EK	AB
Q	90	87-026-211-080	0E	TR,DTA144EK	AB
Q	93	87-026-610-080	0E	TR,KTC3198GR	AB
Q	94	89-112-965-080	0E	TR,2SA1296 (0.75W)	AB
Q	92	89-213-702-010	1A	TR,2SB1370 (1.8W)	AB
X	1	87-A70-182-010	1A	VIB,XTAL 16.9344MHZ HC-49/U	AB
C	701	87-010-179-080	0E	CAP,CHIP S B1200P	.B
C	700	87-010-179-080	0E	CAP,CHIP S B1200P	.B
C	701	87-012-368-080	0E	C-CAP,S 0.1-50 F	AB
C	700	87-012-368-080	0E	C-CAP,S 0.1-50 F	AB
S	1	87-A90-178-010	0E	SW SL1-1-2	A
T	1	87-A60-317-010	0E	TERMINAL, 1P MSC	AB
T	2	87-A60-317-010	0E	TERMINAL, 1P MSC	AB
C	209	87-010-213-080	0E	C-CAP,S 0.015-50 B	AB
C	208	87-010-213-080	0E	C-CAP,S 0.015-50 B	AB
C	204	87-010-401-080	0E	CAP, ELECT 1-50V	AB
C	205	87-010-401-080	0E	CAP, ELECT 1-50V	AB
C	203	87-010-405-080	0E	CAP, ELECT 10-50V	AB
C	207	87-016-142-080		CAP,E 2.2-50 KME	AB
C	206	87-016-146-080	0E	CAP,E 22-50 M 105 KME	AB
C	213	87-010-248-080	0E	CAP, ELECT 220-10V	AB
C	219	87-010-385-080	0E	CAP, ELECT 220-25V	AB
C	216	87-012-368-080	0E	C-CAP,S 0.1-50 F	AB
C	215	87-016-138-080		CAP,E 470-35 KME	AB
C	217	87-016-142-080		CAP,E 2.2-50 KME	AB
C	220	87-010-237-080	1A	CAP, ELECT 1000-16V	AB
C	222	87-010-237-080	1A	CAP, ELECT 1000-16V	AB
C	221	87-010-385-080	0E	CAP, ELECT 220-25V	AB
C	243	87-010-197-080	0E	CAP, CHIP 0.01 DM	AB
C	242	87-010-197-080	0E	CAP, CHIP 0.01 DM	AB
C	241	87-010-197-080	0E	CAP, CHIP 0.01 DM	AB
C	245	87-010-197-080	0E	CAP, CHIP 0.01 DM	AB
D	201	87-020-465-080	0E	DIODE,1SS133 (110MA)	AB
D	202	87-020-465-080	0E	DIODE,1SS133 (110MA)	AB
IC	201	87-A20-734-010	1C	IC,TDA2007A	AB
J	201	87-A60-420-010	1A	JACK,3.5 ST (MSC)	AB
J	202	87-A60-754-010	0E	TERMINAL,SPK 4P MSP-154V-05	AB
L	202	87-005-366-010	1A	COIL, 1UH	AB
L	201	87-005-366-010	1A	COIL, 1UH	AB
Q	204	87-026-218-080	0E	TR,DTC144ES (0.2W)	AB
Q	201	87-026-313-080	0E	TR,DTC343TS	AB
Q	202	87-026-313-080	0E	TR,DTC343TS	AB
Q	205	87-026-609-080	0E	TR,KTA1266GR	AB
Q	203	89-213-702-010	1A	TR,2SB1370 (1.8W)	AB
C	109	87-010-404-080	0E	CAP, ELECT 4.7-50V	AB
C	129	87-010-192-080	0E	C-CAP,S 0.022-50 F	AB
C	128	87-010-192-080	0E	C-CAP,S 0.022-50 F	AB
C	127	87-010-403-080	0E	CAP, ELECT 3.3-50V	AB
C	125	87-016-658-090	1C	CAP,E 4700-35 SMG	AB
C	135	87-010-101-080	0E	CAP, ELECT 220-16	AB
C	136	87-010-112-080	0E	CAP, ELECT 100-16V	AB
C	134	87-010-178-080	0E	CHIP CAP 1000P	.B

ELECTRICAL MAIN PARTS LIST - 3 <LCX-155 EZ,HR>

C	132	87-010-178-080	0E	CHIP CAP 1000P	.B
C	133	87-010-178-080	0E	CHIP CAP 1000P	.B
C	133	87-010-190-080	0E	S CHIP F 0.01	AB
C	132	87-010-190-080	0E	S CHIP F 0.01	AB
C	131	87-010-192-080	0E	C-CAP,S 0.022-50 F	AB
C	130	87-010-192-080	0E	C-CAP,S 0.022-50 F	AB
C	138	87-010-197-080	0E	CAP, CHIP 0.01 DM	AB
C	137	87-010-260-080	0E	CAP, ELECT 47-25V	AB
C	143	87-010-263-080	0E	CAP, ELECT 100-10V	AB
C	141	87-012-140-080	0E	CAP 470P	AB
C	144	87-018-134-080	0E	CAPACITOR,TC-U 0.01-16	AB
CF	101	87-033-213-080	0E	CLAMP, FUSE	AB
CF	102	87-033-213-080	0E	CLAMP, FUSE	AB
D	101	87-020-465-080	0E	DIODE,1SS133 (110MA)	AB
D	100	87-020-465-080	0E	DIODE,1SS133 (110MA)	AB
D	102	87-020-465-080	0E	DIODE,1SS133 (110MA)	AB
D	108	87-A40-393-090	0E	DIODE,1N5402GW(F20)	AB
D	114	87-017-932-080	0E	ZENER,MTJ6.2B	AB
D	116	87-020-465-080	0E	DIODE,1SS133 (110MA)	AB
D	113	87-020-465-080	0E	DIODE,1SS133 (110MA)	AB
D	115	87-070-334-080	0E	ZENER,MTZJ10B	AB
F	101	87-035-416-010	0E	FUSE,T3A 250V UL	AB
F	101	87-035-457-010	0E	FUSE,3.15A 250V TW/C	AB
J	101	87-099-608-010	1A	JACK, DC HEC3800	.B
PR	101	87-026-689-080	0E	PROTECTOR,1A 60V 491	AB
PR	101	87-035-495-080	1C	FUSE,3/4A 125V D/U/C	AB
PR	100	87-A90-069-080	1A	FUSE,2A 125V 251	AB
PR	100	87-A90-091-080	1A	PROTECTOR,2A 491	AB
Q	108	87-026-610-080	0E	TR,KTC3198GR	AB
Q	103	87-026-610-080	0E	TR,KTC3198GR	AB
Q	104	87-026-610-080	0E	TR,KTC3198GR	AB
Q	106	87-A30-185-010	1A	TR,2SD1381FOR	AB
Q	111	87-026-610-080	0E	TR,KTC3198GR	AB
Q	110	89-213-702-010	1A	TR,2SB1370 (1.8W)	AB
R	102	87-029-129-090	0E	RESISTOR, FUSE 1/4W 3.3	AB
R	130	87-A00-506-090		RES,FUSE 150-1/4W J	AB
W	2	8Z-CL8-690-010		F-CABLE,2P 2.5 180MM	AB
W	2	8Z-CL8-691-010		F-CABLE,3P 2.5 180MM	AB
WH	101	87-A90-458-010		HLDR,WIRE 2.5-3P	AB
		8Z-CL8-686-010		CONN ASSY,8P RPH	AB
C	408	87-010-248-080	0E	CAP, ELECT 220-10V	AB
C	401	87-010-322-080	0E	C-CAP,S 100P-50 CH	AB
C	402	87-010-401-080	0E	CAP, ELECT 1-50V	AB
C	407	87-010-405-080	0E	CAP, ELECT 10-50V	AB
C	409	87-010-405-080	0E	CAP, ELECT 10-50V	AB
C	405	87-010-406-080	0E	CAP, ELECT 22-50	AB
C	410	87-010-322-080	0E	C-CAP,S 100P-50 CH	AB
C	413	87-010-401-080	0E	CAP, ELECT 1-50V	AB
C	412	87-010-406-080	0E	CAP, ELECT 22-50	AB
C	415	87-010-426-080	0E	C-CAP,S 0.012-25 B	AB
C	418	87-010-426-080	0E	C-CAP,S 0.012-25 B	AB
C	419	87-012-140-080	0E	CAP 470P	.B
C	422	87-010-112-080	0E	CAP, ELECT 100-16V	AB
C	429	87-010-178-080	0E	CHIP CAP 1000P	AB
C	420	87-010-197-080	0E	CAP, CHIP 0.01 DM	.B
C	430	87-010-178-080	0E	CHIP CAP 1000P	AB
C	431	87-010-178-080	0E	CHIP CAP 1000P	AB
C	432	87-010-264-080	0E	CAP,E 100-10 5L	AB
C	434	87-015-695-080	0E	CAP,E 1-50 7L	AB
CN	401	87-009-036-010	0E	CONNECTOR, 8P PH V WHT	AB
D	404	87-020-465-080	0E	DIODE,1SS133 (110MA)	AB
D	405	87-020-465-080	0E	DIODE,1SS133 (110MA)	AB
IC	401	87-001-596-010	1B	IC,NJM4580L	AB
L	401	88-CL6-609-010		COIL,BIAS 8CL6	AB
Q	403	87-CD7-603-080	0E	TR,SS8050	AB
SW	401	8Z-CL8-668-010		SW,RP ZCL8	AB
C	306	87-010-322-080	0E	C-CAP,S 100P-50 CH	AB
C	302	87-010-401-080	0E	CAP, ELECT 1-50V	AB
C	301	87-010-401-080	0E	CAP, ELECT 1-50V	AB
C	308	87-010-545-080	0E	CAP, ELECT 0.22-50V	AB
C	305	87-010-545-080	0E	CAP, ELECT 0.22-50V	AB
C	304	87-010-545-080	0E	CAP, ELECT 0.22-50V	AB
C	309	87-010-545-080	0E	CAP, ELECT 0.22-50V	AB
C	311	87-010-182-080	0E	C-CAP,S 2200P-50 B	AB
C	310	87-010-263-080	0E	CAP, ELECT 100-10V	AB
C	312	87-010-263-080	0E	CAP, ELECT 100-10V	AB
C	319	87-010-404-080	0E	CAP, ELECT 4.7-50V	AB
C	316	87-010-404-080	0E	CAP, ELECT 4.7-50V	AB
C	315	87-010-404-080	0E	CAP, ELECT 4.7-50V	AB
C	318	87-010-405-080	0E	CAP, ELECT 10-50V	AB
C	317	87-010-405-080	0E	CAP, ELECT 10-50V	AB
C	314	87-010-405-080	0E	CAP, ELECT 10-50V	AB
C	313	87-010-405-080	0E	CAP, ELECT 10-50V	AB
C	320	87-010-404-080	0E	CAP, ELECT 4.7-50V	AB
C	339	87-010-178-080	0E	CHIP CAP 1000P	.B
C	332	87-010-196-080	0E	CHIP CAPACITOR,0.1-25	AB
C	335	87-010-197-080	0E	CAP, CHIP 0.01 DM	AB
C	334	87-010-197-080	0E	CAP, CHIP 0.01 DM	AB
CN	301	87-099-719-010	1B	CONN,30P TYK-B(X)	AB
D	302	87-070-136-080	0E	ZENER,MTZJ5.1B	AB
D	301	87-A40-347-080	0E	ZENER,MTZJ2.2B	AB
IC	301	87-A20-715-010	1C	IC,M62439SP	AB

ELECTRICAL MAIN PARTS LIST - 4 <LCX-155 EZ,HR>

J	301	87-A60-881-010	0E	JACK,PIN 2P MSP 242V05 PBSN	AB
L	301	87-003-098-080	0E	COIL,2.2UH	AB
L	300	87-003-098-080	0E	COIL,2.2UH	AB
Q	300	87-026-610-080	0E	TR,KTC3198GR	AB
C	803	87-018-047-080	0E	CAP, CER 0.01-16V	.B
C	812	87-012-286-080	0E	CAP, U 0.01-25	AB
C	828	87-010-196-080	0E	CHIP CAPACITOR,0.1-25	AB
C	829	87-010-196-080	0E	CHIP CAPACITOR,0.1-25	AB
C	820	87-010-260-080	0E	CAP, ELECT 47-25V	AB
C	821	87-012-286-080	0E	CAP, U 0.01-25	AB
C	823	87-012-286-080	0E	CAP, U 0.01-25	AB
C	822	87-012-286-080	0E	CAP, U 0.01-25	AB
C	942	87-012-172-080	0E	CAPACITOR CHIP U 10P CH	.B
C	949	87-A10-039-080	0E	C-CAP,U 470P-50 J CH	.B
C	958	87-010-197-080	0E	CAP, CHIP 0.01 DM	.B
C	959	87-010-831-080	0E	C-CAP,U,0.1-16F	AB
C	960	87-010-196-080	0E	CHIP CAPACITOR,0.1-25	AB
C	963	87-010-196-080	0E	CHIP CAPACITOR,0.1-25	AB
C	962	87-010-401-080	0E	CAP, ELECT 1-50V	.B
C	961	87-012-170-080	0E	C-CAP,U 8P-50 CH	A
C	965	88-108-000-080	0E	C-JUMPER,U	A
CF	802	82-785-747-010	1A	CF MS2 GHY R	.B
CF	801	87-008-261-010	1A	FILTER, SFE10.7MA5-A	A
CF	802	87-008-261-010	1A	FILTER, SFE10.7MA5-A	A
CF	801	87-008-423-010	1A	CERAMIC FILTER, SFE10.7	.B
D	944	87-020-465-080	0E	DIODE,1SS133 (110MA)	.B
D	942	87-A40-270-080	0E	C-DIODE,MC2838	.B
FFE	801	A8-6ZA-19C-170	2A	6ZA-1 YFEENC	.B
FFE	801	A8-8ZA-193-070	1E	8ZA-1 YFEUNC	A
J	801	87-A60-202-010	1A	TERMINAL,ANT 4P MSP-154V-02	A
J	801	87-A60-880-010	1A	TERMINAL,ANT-PAL 2P MSP-313V-0	.B
L	832	87-005-847-080	0E	COIL,2.2UH(CECS)	.B
L	942	87-A50-019-010	0E	COIL,OSC LW(COI)	.B
L	941	87-A50-020-010	0E	COIL,ANT LW(COI)	.B
L	981	87-NF4-650-010	1D	COIL,AM PACK 4N(TOK)	A
L	981	87-NF4-651-110	1C	COIL,AM PACK2N(TOM)	.B
Q	806	87-A30-072-080	0E	C-TR,RT1P 144C	AB
Q	805	89-327-143-080	0E	TR,2SC2714 (0.1W)	AB
Q	948	87-A30-086-070	0E	C-TR,CSD1306E	.B
Q	947	89-505-434-540	0E	C-FET,2SK543(4/5)	.B
Q	951	87-A30-074-080	0E	C-TR,RT1P 141C	.B
Q	952	87-A30-086-070	0E	C-TR,CSD1306E	.B
TC	942	87-011-164-010	0E	CAPACITOR,TRIMMER 30P	.B
C	731	87-012-286-080	0E	CAP, U 0.01-25	AB
C	758	87-012-167-080	0E	C-CAP,U 5P-50 CH	AB
C	757	87-012-188-080	0E	C-CAP,U 47P-50 CH	AB
C	753	87-012-195-080	0E	C-CAP,U 100P-50CH	.B
C	756	87-012-286-080	0E	CAP, U 0.01-25	AB
C	766	87-010-197-080	0E	CAP, CHIP 0.01 DM	.B
C	769	87-010-260-080	0E	CAP, ELECT 47-25V	AB
C	763	87-010-829-080	0E	CAP, U 0.047-16	AB
C	768	87-012-286-080	0E	CAP, U 0.01-25	AB
C	765	87-012-286-080	0E	CAP, U 0.01-25	AB
C	764	87-012-337-080	0E	C-CAP,U 56P-50 CH	A
C	773	87-010-196-080	0E	CHIP CAPACITOR,0.1-25	AB
C	774	87-010-263-080	0E	CAP, ELECT 100-10V	AB
C	771	87-010-383-080	0E	CAP, ELECT 33-25V	AB
C	777	87-010-400-080	0E	CAP, ELECT 0.47-50V	AB
C	779	87-010-401-080	0E	CAP, ELECT 1-50V	AB
C	778	87-010-401-080	0E	CAP, ELECT 1-50V	AB
C	775	87-010-404-080	0E	CAP, ELECT 4.7-50V	AB
C	770	87-010-829-080	0E	CAP, U 0.047-16	AB
C	772	87-010-829-080	0E	CAP, U 0.047-16	AB
C	776	87-012-286-080	0E	CAP, U 0.01-25	AB
C	780	87-010-196-080	0E	CHIP CAPACITOR,0.1-25	AB
C	781	87-010-405-080	0E	CAP, ELECT 10-50V	AB
C	782	87-010-405-080	0E	CAP, ELECT 10-50V	AB
C	787	87-012-284-080	0E	CAP, U 6800P-50	.B
C	788	87-012-284-080	0E	CAP, U 6800P-50	.B
C	783	87-012-286-080	0E	CAP, U 0.01-25	AB
C	784	87-012-286-080	0E	CAP, U 0.01-25	AB
C	796	87-010-403-080	0E	CAP, ELECT 3.3-50V	AB
C	791	87-010-405-080	0E	CAP, ELECT 10-50V	AB
C	794	87-010-406-080	0E	CAP, ELECT 22-50	AB
C	795	87-010-596-080	0E	CAP, S 0.047-16	AB
C	799	87-010-829-080	0E	CAP, U 0.047-16	AB
C	793	87-012-273-080	0E	C-CAP,U 820P-50 B	A
C	793	87-012-275-080	0E	C-CAP,U 1200P-50 B	AB
C	797	87-012-276-080	0E	CAP, CHIP SS 1500 PBK	AB
C	798	87-012-276-080	0E	CAP, CHIP SS 1500 PBK	AB
C	797	87-012-278-080	0E	C-CAP,U 2200P-50 B	.B
C	798	87-012-278-080	0E	C-CAP,U 2200P-50 B	.B
D	773	87-020-465-080	0E	DIODE,1SS133 (110MA)	AB
IC	771	87-A20-913-010	1D	IC,LA1837NL	AB
L	771	87-A50-266-010	1A	COIL,FM DET-2N(TOK)	AB
L	772	87-A90-733-010	1A	FLTR,PCFAZH-450 (TOK)	AB
L	781	87-005-847-080	0E	COIL,2.2UH(CECS)	.B
C	701	87-010-381-080	0E	CAP, ELECT 330-16V	AB
C	702	87-010-404-080	0E	CAP, ELECT 4.7-50V	AB
C	703	87-012-286-080	0E	CAP, U 0.01-25	AB
C	704	87-012-286-080	0E	CAP, U 0.01-25	AB
C	711	87-010-263-080	0E	CAP, ELECT 100-10V	AB

ELECTRICAL MAIN PARTS LIST - 5 <LCX-155 EZ,HR>

C	712	87-010-831-080	0E	C-CAP,U,0.1-16F	AB.....
C	718	87-012-179-080	0E	C-CAP,U 20P-50 CH	A.....
C	719	87-012-286-080	0E	CAP, U 0.01-25	AB.....
C	717	87-012-286-080	0E	CAP, U 0.01-25	AB.....
C	714	87-012-286-080	0E	CAP, U 0.01-25	AB.....
C	727	87-010-196-080	0E	CHIP CAPACITOR,0.1-25	AB.....
C	728	87-010-248-080	0E	CAP, ELECT 220-10V	AB.....
C	722	87-012-176-080	0E	CAP 15P	AB.....
C	721	87-012-176-080	0E	CAP 15P	AB.....
C	720	87-012-195-080	0E	C-CAP,U 100P-50CH	AB.....
C	729	87-012-274-080	0E	CHIP CAP,U 1000P-50B	AB.....
C	723	87-012-274-080	0E	CHIP CAP,U 1000P-50B	AB.....
C	725	87-018-131-080	0E	CAP, CER 1000P-50V	.B.....
D	722	87-020-465-080	0E	DIODE,1SS133 (110MA)	.B.....
D	721	87-A40-234-080	0E	ZENER,MTZJ5.6A	.B.....
IC	721	87-070-127-110	1C	IC,LC72131 D	AB.....
Q	711	87-A30-185-010	1A	TR,2SD1381FQR
Q	711	87-A30-196-080	0E	TR,2SC4115SRS	AB.....
X	721	87-A70-061-010	1A	VIB,XTAL 4.500MHZ CSA-309	AB.....
C	859	87-012-286-080	0E	CAP, U 0.01-25	.B.....
C	865	87-010-196-080	0E	CHIP CAPACITOR,0.1-25	.B.....
C	866	87-010-405-080	0E	CAP, ELECT 10-50V	.B.....
C	864	87-010-405-080	0E	CAP, ELECT 10-50V	.B.....
C	869	87-012-180-080	0E	C-CAP,U 22P-50 CH	.B.....
C	868	87-012-184-080	0E	C-CAP,U 33P-50 CH	.B.....
C	861	87-012-199-080	0E	CAP 220P	.B.....
C	862	87-012-199-080	0E	CAP 220P	.B.....
C	863	87-012-270-080	0E	CAP, U 470P-50	.B.....
C	867	87-012-286-080	0E	CAP, U 0.01-25	.B.....
IC	851	87-A20-440-040	1H	C-IC,BU1920FS	.B.....
L	851	87-005-847-080	0E	COIL,2.2UH(CECS)	.B.....
Q	853	87-A30-076-080	0E	C-TR,2SC3052F	.B.....
X	851	87-A70-184-010	1A	VIB,XTAL 4.332MHZ HC-49/U	.B.....
		87-A80-092-010	1C	AC CORD ASSY,E BLK SUN FAI	AB.....
		87-A80-110-010	1B	AC CORD ASSY,U SPT-2W
PT	101	8Z-CL8-652-010	2A	PT,U HI
PT	101	8Z-CL8-653-010	2A	PT,EZ HI	.B.....
PT	101	8Z-CL8-654-010	2A	PT,H HI	A.....
WH	2	87-A90-458-010		HLDR,WIRE 2.5-3P

MECHANICAL PARTS LIST - 1 <LCX-133 EZ,K>

NOTE: The characters in the suffix column indicate the part usage.

REF.NO	PARTS NO.	KANRI NO.	DESCRIPTION	SUFFIX
KSC	XX	B
EZSC	XX	C
8Z-CL8-001-010			CABI,FR U	ABC
8Z-CL8-005-010			CABI,FR B
8Z-CL8-007-010			BOX,CASS	ABC
8Z-CL8-008-010			PANEL,CASS	ABC
8Z-CL8-011-010			CABI,REAR U
8Z-CL8-012-010			CABI,REAR LH	A
8Z-CL8-013-010			CABI,REAR EZ	.C
8Z-CL8-014-010			CABI,REAR K	.B
8Z-CL8-019-010			LID,CD B
8Z-CL8-020-010			LID,CD	ABC
8Z-CL8-021-010			CHAS,CD	ABC
8Z-CL8-025-010			KEY,CONT	ABC
8Z-CL8-027-010			KEY,POWER	ABC
8Z-CL8-028-010			KEY,GEQ	ABC
8Z-CL8-029-010			KEY,VOL	ABC
8Z-CL8-030-010			KEY,CASS	ABC
8Z-CL8-031-010			KEY,CONT B
87-B00-002-010	0E		BADGE,AIWA 30 ABS SIL	ABC
8Z-CL8-023-010			WINDOW,CASS	ABC
8Z-CL8-024-010			WINDOW,TOP	ABC
8Z-CLJ-022-010			WINDOW,DISP	ABC
86-CD0-223-010	1A		COVER, CHUCK	ABC
86-NFZ-231-010	1A		DMPR,70	ABC
87-036-368-010	0E		MAGNET	ABC
87-064-108-010	1A		NC LATCH	ABC
87-NF8-220-010	0E		DMPR,150	ABC
88-CD9-211-110			RING,CHUCK	ABC
88-CH6-019-010			PANEL,CD	ABC
8Z-CL8-204-010			CUSH,FOOT	ABC
8Z-CL8-205-010			SPR-T,CD	ABC
8Z-CL8-206-010			SPR-P,REC	ABC
8Z-CL8-209-010			SPR-T,CASS	ABC
8Z-CL8-211-010			BASE,CHUCK	ABC
* 8Z-CL8-201-010			GUIDE,LCD
87-067-579-010	0E		TAPPING SCREW, BVT2+3-8	ABC
87-067-703-010	0E		TAPPING SCREW, BVT2+3-10	ABC
87-067-758-010	0E		BVT2+3-12 W/O SLOT	ABC
87-342-074-010	0E		UT2+2.6-8	ABC
87-571-032-410	0E		VIT+2-3	ABC
87-651-036-410	0E		VT1+2-8	ABC
87-741-170-410	0E		UT2+4-8	ABC
87-761-096-410	0E		VFT2+3-10 GLD	ABC
* 87-571-033-410	0E		TAPPING SCREW, VIT+2-4	ABC
* 87-B10-230-010	0E		BVT2+3-10 W/O SLOT SILVER CR	ABC
* 87-B10-231-010	0E		QT1+3-12 SILVER CR	ABC
81-590-677-010	1A		SWITCH LEAF	ABC
8Z-CL8-682-010	0E		FF-CABLE, 16P 1.0 180MM	ABC
W 2 8Z-CL8-690-010			F-CABLE,2P 2.5 180MM	ABC
8Z-CL8-686-010			CONN ASSY,8P RPH	ABC
87-050-098-010	1B		AC CODE ASSY,D
87-050-108-010			AC CORD ASSY,K 3PH	.B
87-A80-092-010	1C		AC CORD ASSY,E BLK SUN FAI	A.C

MECHANICAL PARTS LIST - 1 <LCX-155 EZ,HR>

NOTE: The characters in the suffix column indicate the part usage.

REF.NO	PARTS NO.	KANRI NO.	DESCRIPTION	SUFFIX
HRJS		XX		A
EZS		XX		B
8Z-CL8-001-010			CABI,FR U	A
8Z-CL8-003-010			CABI,FR EZ RDS	.B
8Z-CL8-007-010			BOX,CASS	AB
8Z-CL8-008-010			PANEL,CASS	A
8Z-CL8-009-010			PANEL,CASS EZ	.B
8Z-CL8-011-010			CABI,REAR U	
8Z-CL8-012-010			CABI,REAR LH	
8Z-CL8-013-010			CABI,REAR EZ	.B
8Z-CL8-016-010			CABI,REAR HR	A
8Z-CL8-020-010			LID,CD	AB
8Z-CL8-021-010			CHAS,CD	AB
8Z-CL8-025-010			KEY,CONT	AB
8Z-CL8-027-010			KEY,POWER	AB
8Z-CL8-028-010			KEY,GEQ	AB
8Z-CL8-029-010			KEY,VOL	AB
8Z-CL8-030-010			KEY,CASS	AB
87-B00-002-010	0E		BADGE,AIWA 30 ABS SIL	AB
8Z-CL8-022-010			WINDOW,DISP	A
8Z-CL8-023-010			WINDOW,CASS	AB
8Z-CL8-024-010			WINDOW,TOP	AB
8Z-CL8-032-010			WINDOW,DISP EZ RDS	.B
86-CD0-223-010	1A		COVER, CHUCK	AB
86-NFZ-231-010	1A		DMPR,70	AB
87-036-368-010	0E		MAGNET	AB
87-064-108-010	1A		NC LATCH	AB
87-NF8-220-010	0E		DMPR,150	AB
88-CD9-211-110			RING,CHUCK	AB
88-CH6-019-010			PANEL,CD	AB
8Z-CL8-204-010			CUSH,FOOT	AB
8Z-CL8-205-010			SPR-T,CD	AB
8Z-CL8-206-010			SPR-P,REC	AB

ACCESSORIES/PACKAGE LIST-1 <LCX-133 EZ,K>

NOTE: The characters in the suffix column indicate the part usage.

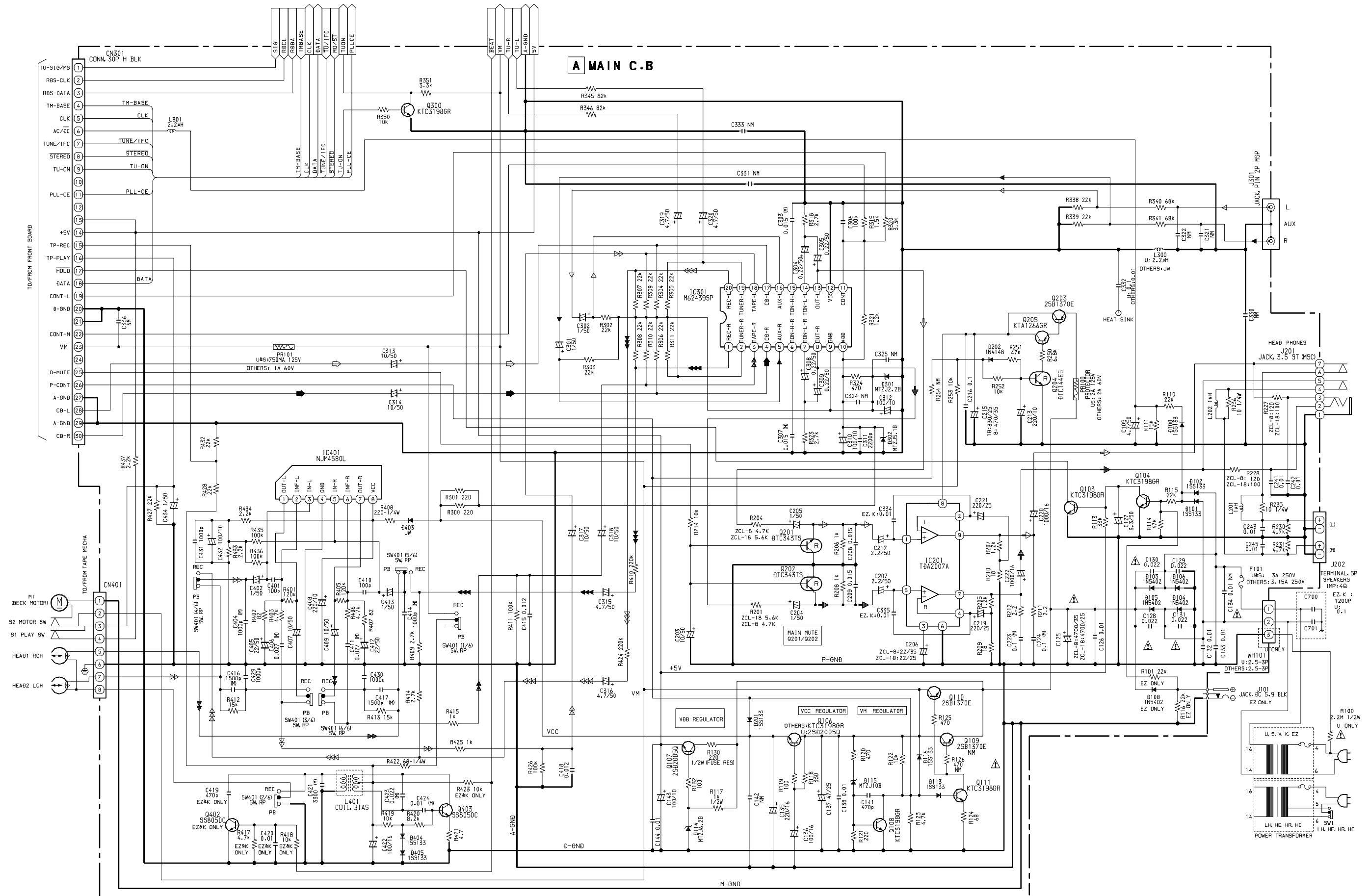
REF.NO	PARTS NO.	KANRI NO.	DESCRIPTION	SUFFIX
KSC	XX	B
EZSC	XX	C
8Z-CLJ-901-010			IB,LH (ESP)C	A
8Z-CLJ-902-010			IB,E (9L)C	.C
8Z-CLJ-903-010			IB,K (E)C	.B
8Z-CLJ-905-010			IB,D (J)C
8Z-CL8-670-010	1D		SPKR,WOOFER 4OHM 5W	ABC
8Z-CL8-695-010			CORD,SPKR BLK	ABC
87-067-581-010	0E		TAPPING SCREW, BVT2+3-15	ABC
87-067-703-010	0E		TAPPING SCREW, BVT2+3-10	ABC
87-761-096-410	0E		VFT2+3-10 GLD	ABC
87-B00-002-010	0E		BADGE,AIWA 30 ABS SIL	ABC
8Z-CL8-101-010			CABI,FR SPKR	ABC
8Z-CL8-102-010			CABI,REAR SPKR	ABC
8Z-CL8-103-010			FRAME,SPKR	ABC
8Z-CL8-204-010			CUSH,FOOT	ABC
87-043-115-010	1A		ANT,FEEDER FM	A
87-A90-030-010	1B		ANT,LOOP AM-NC C	ABC
87-A90-118-010	0E		ANT,WIRE FM (Z)	.BC
87-A91-017-010	1A		PLUG,CONVERSION JT-0476	A
8Z-CK4-951-010	1F		RC UNIT,RC-ZAT03
8Z-CK4-952-010	1F		RC UNIT,RC-ZAT04	ABC

ACCESSORIES/PACKAGE LIST-1 <LCX-155 EZ,HR>

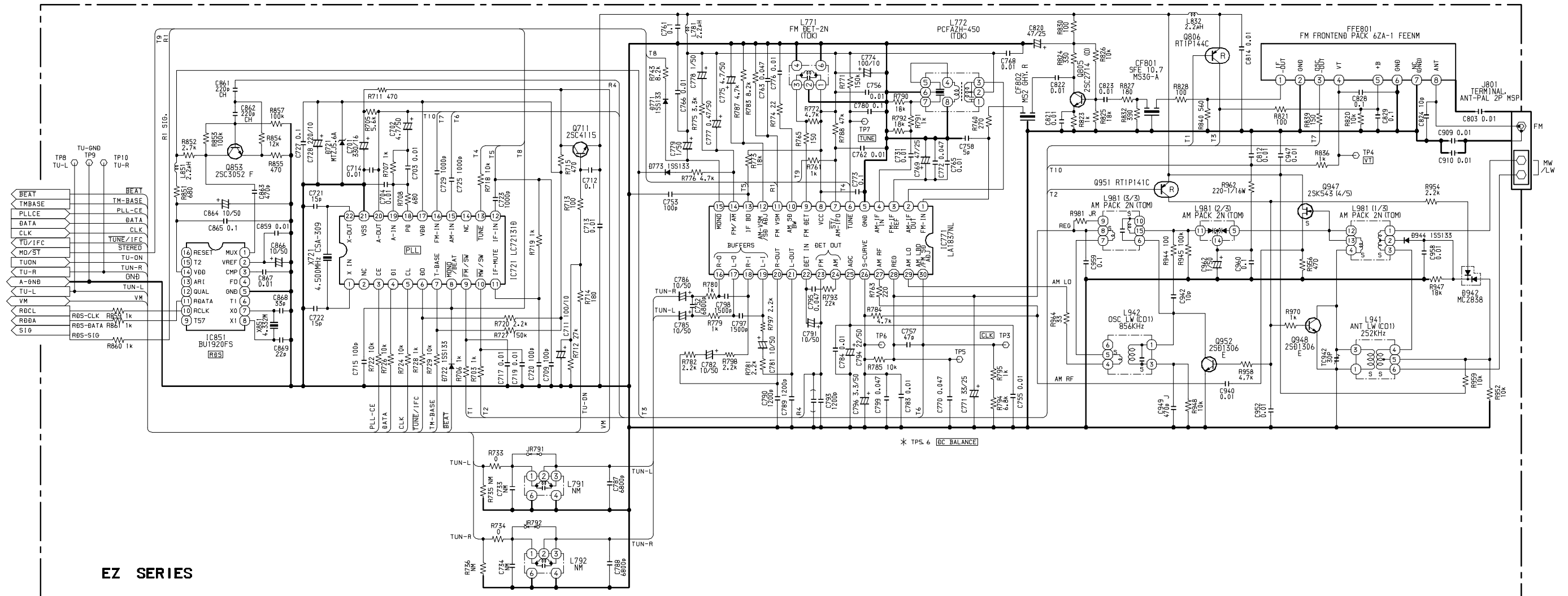
NOTE: The characters in the suffix column indicate the part usage.

REF.NO	PARTS NO.	KANRI NO.	DESCRIPTION	SUFFIX
HRJS		XX		A
EZS		XX		B
8Z-CL8-901-010			IB,U (ESF)C	.
8Z-CL8-903-010			IB,H (ECA)C	A
8Z-CL8-907-010			IB,E (9L)C	.B
8Z-CL8-671-010	1E		SPKR,WOOFER 4OHM 8W	AB
8Z-CL8-694-110			CORD,SPKR GRY	AB
87-B00-002-010	0E		BADGE,AIWA 30 ABS SIL	AB
8Z-CL8-101-010			CABI,FR SPKR	AB
8Z-CL8-102-010			CABI,REAR SPKR	AB
8Z-CL8-103-010			FRAME,SPKR	AB
8Z-CL8-104-010			NET,SPKR	AB
8Z-CL8-204-010			CUSH,FOOT	AB
87-043-115-010	1A		ANT,FEEDER FM	A
87-A90-030-010	1B		ANT,LOOP AM-NC C	AB
87-A90-118-010	0E		ANT,WIRE FM (Z)	.B
87-A91-017-010	1A		PLUG,CONVERSION JT-0476	A
8Z-CK4-952-010	1F		RC UNIT,RC-ZAT04	AB

SCHEMATIC DIAGRAM - 1



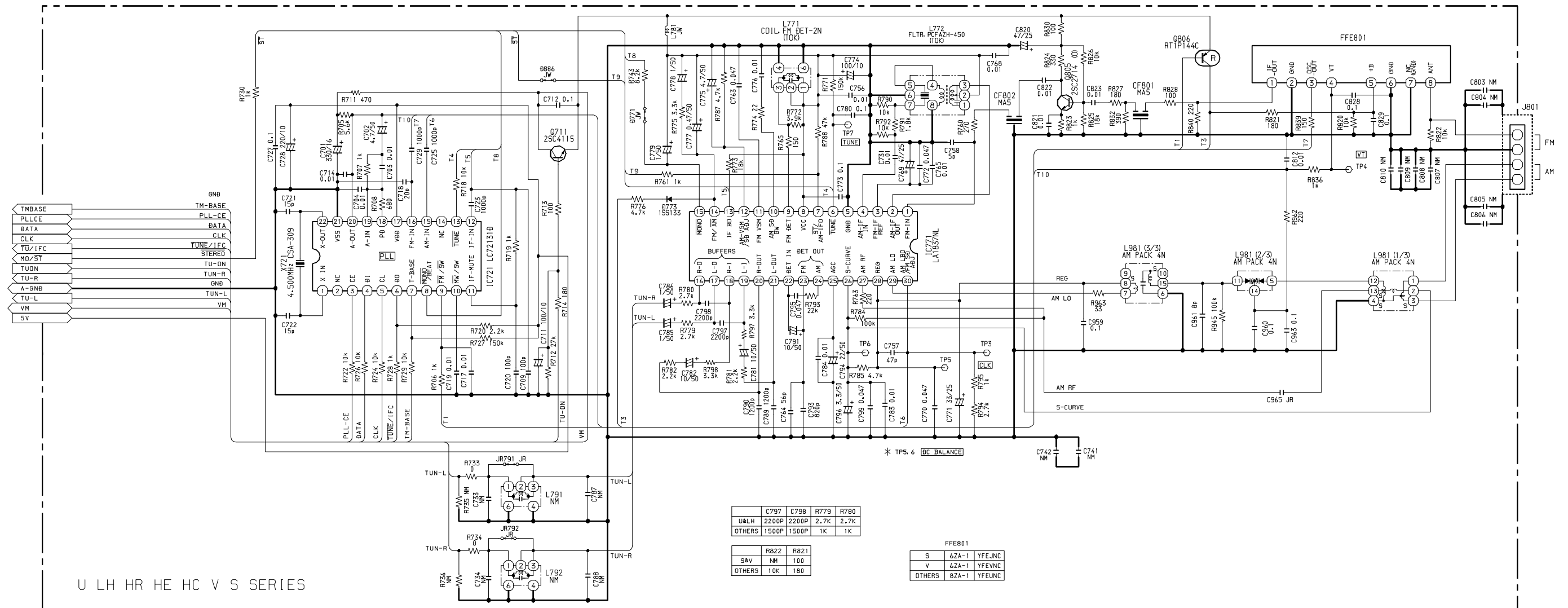
SCHEMATIC DIAGRAM – 2 <LCX-133/155EZ,133K>



EZ SERIES

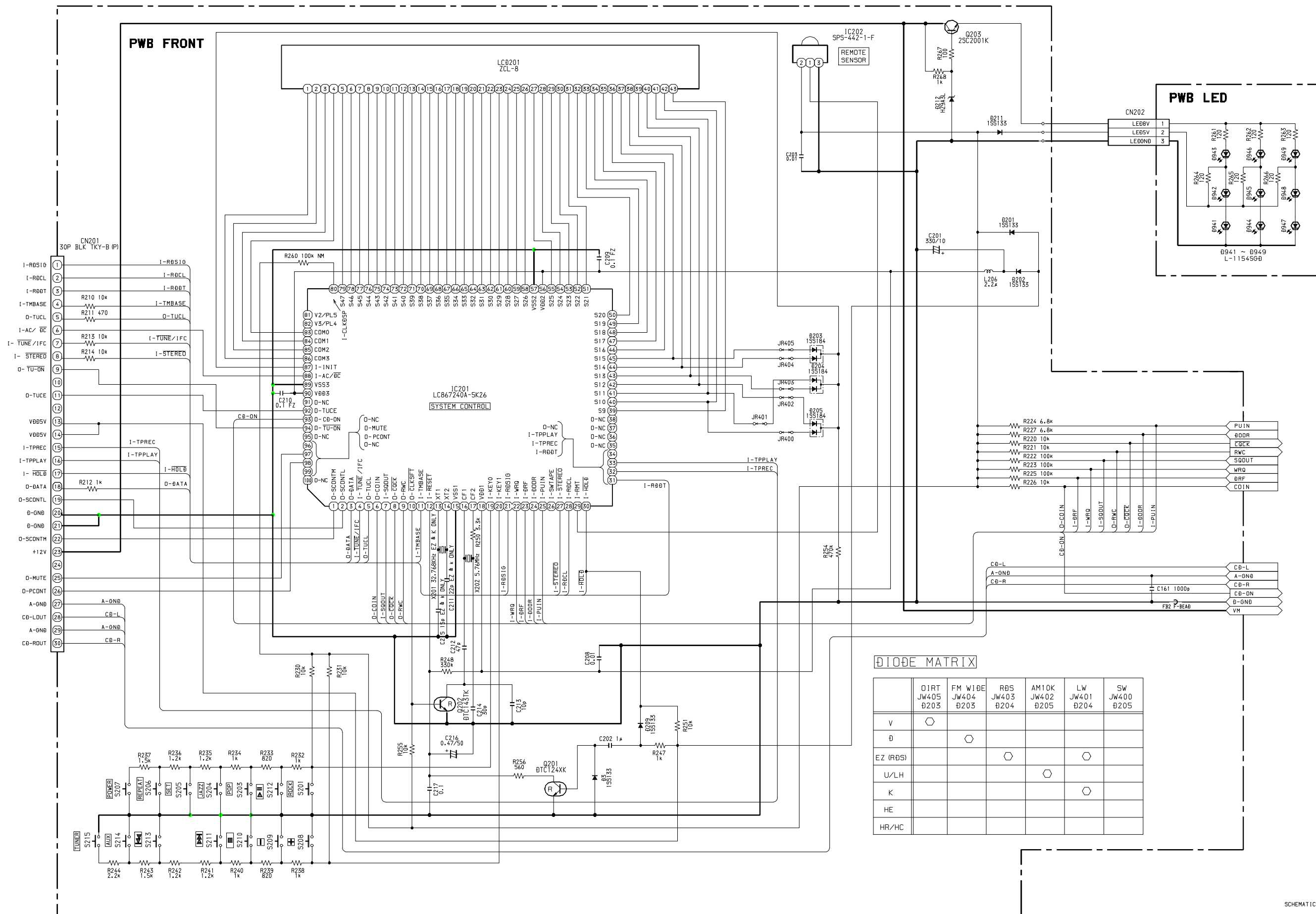
* TP5 & RC BALANCE

SCHEMATIC DIAGRAM – 3 <LCX-155HR>



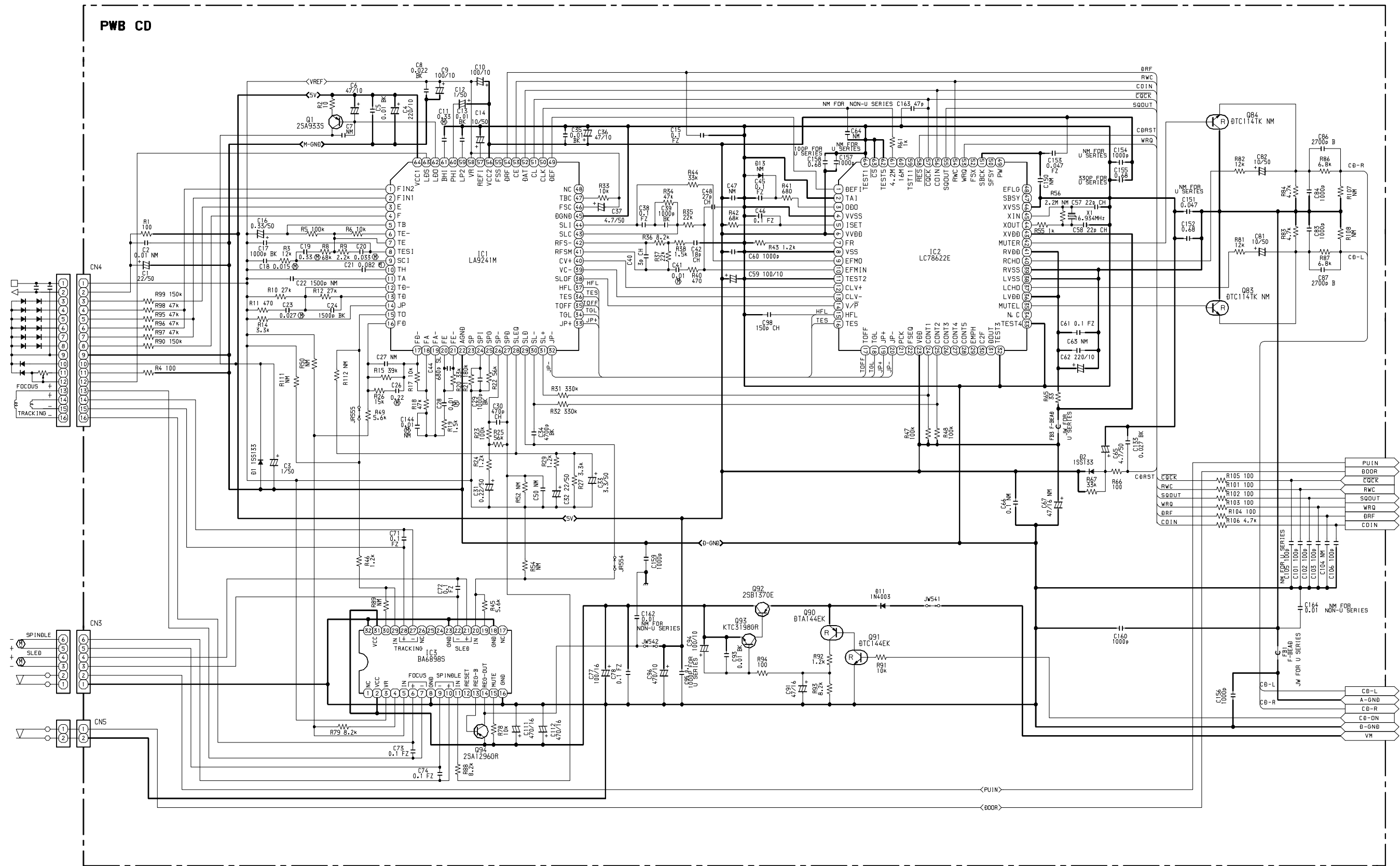
U LH HR HE HC V S SERIES

SCHEMATIC DIAGRAM - 4



SCHEMATIC DIAGRAM (FRONT)

SCHEMATIC DIAGRAM - 5



SCHEMATIC DIAGRAM (CD)

サービス技術ニュース	
番号	連絡内容
G- -	
G- -	
G- -	

アイワ株式会社
AIWA CO.,LTD.

9620450

Tokyo Japan