

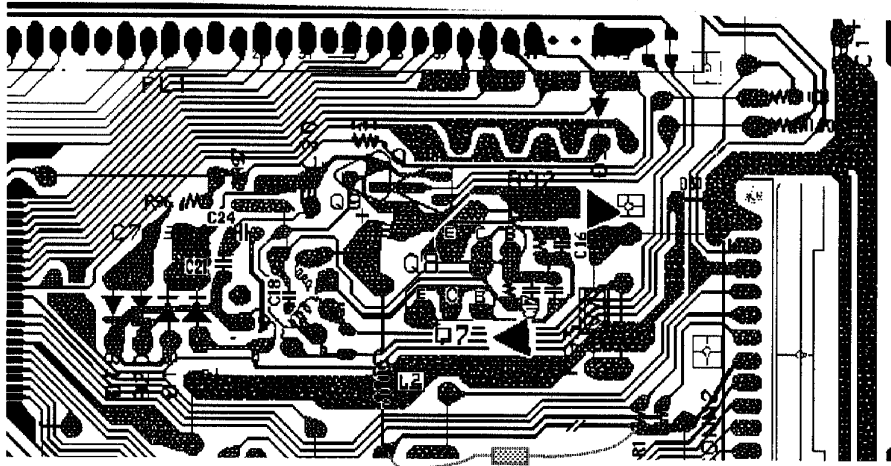
SERVICE TECHNICAL INFORMATION

ONE POINT REPAIR

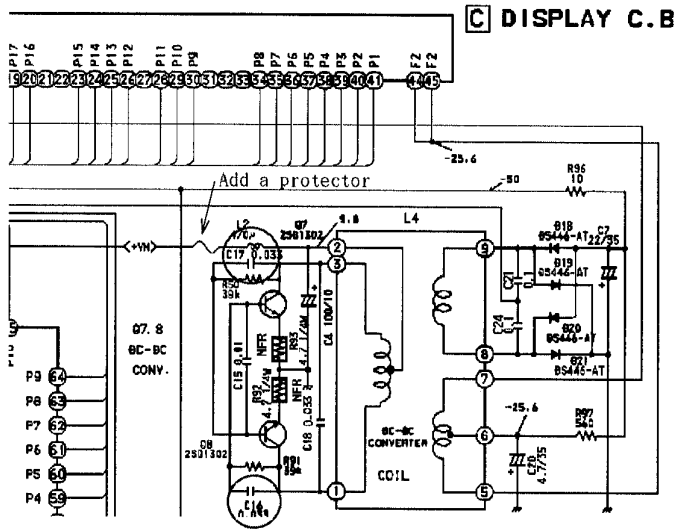
UTSUNOMIYA, JULY 15, 1997
 REF. NO.: S1-97-021
 CUSTOMER RELATIONS & SERVICE DIV.
 (Revised)

MODEL: LCX-50
 SUBJECT: Display does not operate
 CONTENTS: When repairing LCX-50, refer to both the contents below and the other relevant *Service Technical Information*. (Relevant *Service Technical Information*: G-95-16)

- REMEDY:
1. Remove the front board chip condenser. Attach a Mylar condenser to the bottom surface of the board. (Refer to the arrow mark in the figure below.)
 Ref. No. C16, 17 C-CAP 0.033 μ F \rightarrow Mylar CAP 0.033 μ F BK (material change)
 2. Cut the front board VM line pattern. Attach a protector to the bottom surface of the board.



Cut the pattern and add a protector.



Ref. No.	Part Name	Part No.
C 16, 17	CAP M 0. 033-50 J	88-700-840-810
—	PROTECTOR 630mA491	87-A90-560-080