

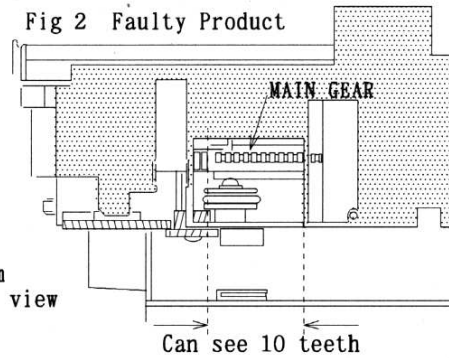
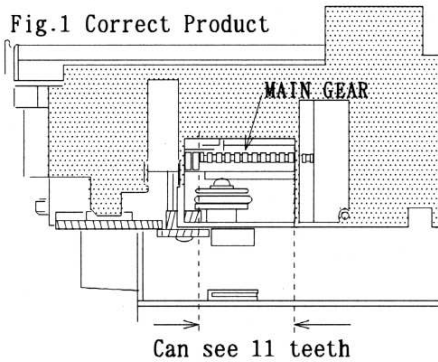
SERVICE TECHNICAL INFORMATION

ONE POINT REPAIR

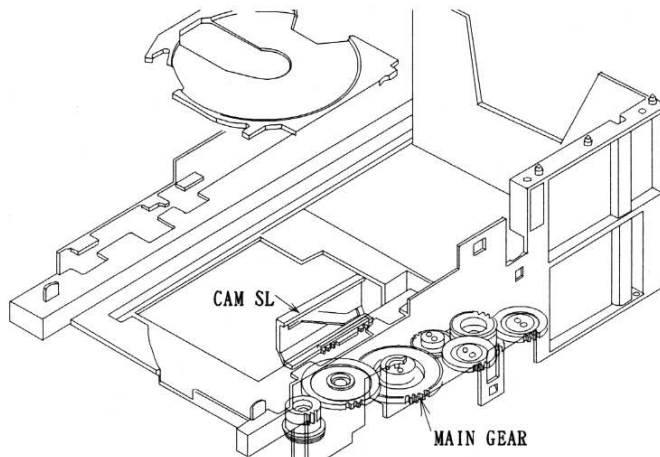
UTSUNOMIYA, OCTOBER 15, 1996
 REF. NO. : SI-96-033
 CUSTOMER RELATIONS & SERVICE DIV.

MODEL : LCX-700M, XR-M7
 SUBJECT : Does not initialize after power is turned on.
 SYMPTOM : When the set fails to initialize after the power is turned on (Direct Key LED blinks), perform the remedy described below.

REMEDY : Check the number of main gear teeth while a CD is being chucked (See Fig. 2). If 11 teeth are not seen, replace the CAM SL.



Mechanism
 Right side view



Replace the CAM SL.

Part No.	Part Name	Ref. No.
84-ZG2-224-110	CAM SL	—