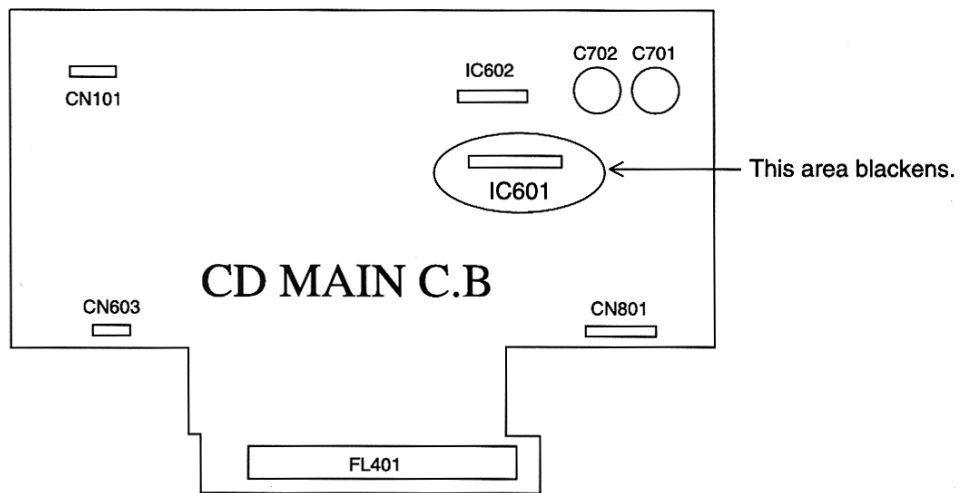


SERVICE TECHNICAL INFORMATION

ONE POINT REPAIR

UTSUNOMIYA, November 30, 1994
 REF. NO. : SI-94-029
 TECHNICAL SUPPORT DIV.

MODEL : NSX-800, NS-T160
 SUBJECT : Discoloration around the IC601 (LA6515) of the CD board.
 SYMPTOM : There may be CD players that have a blackened area around the IC601 of the CD C.B. Despite discoloration, the CD functions are usually normal, and in most cases, the ICs are not damaged. Also, the degree of change differs depending on how the CD players were used.



Be sure to perform a visual check even if malfunctions occurred in parts other than the CD unit.
 In such cases, take the following measures.

REMEDY : Replace the IC601 LA6515 with the IC601 LA6510 which emits less heat.
 Circuit changes are not necessary, because LA6515 pins and LA 6510 pins are compatible.

IC601 LA6515 87-001-872-010

change to ↓

IC601 LA6510 87-001-173-010

Ref.	Part Name	Part Number
IC601	IC, LA6510	87-001-173-010