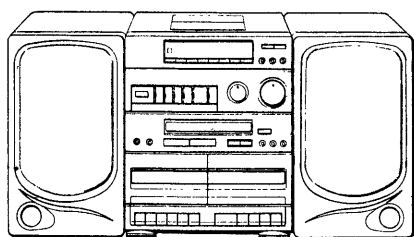


# aiwa

NSX - 200  
CA - DW550  
CA - DW556



CARRY COMPONENT SYSTEM

- BASIC TAPE MECHANISM : TN - 21ZSW
- BASIC CD MECHANISM : KSL - 2101A
- TYPE. LH,HR,H (NSX-200)
- TYPE. U (CA-DW556),U,C,E,K,Z (CA-DW550)

## [SUPPLEMENT]

- Only the modifications are stated in this manual.  
Use this manual with CA - DW500/CA - B500.CA - DW500 service manual (S/M Code No.0101/0195).

# ALTERNATION PARTS LIST

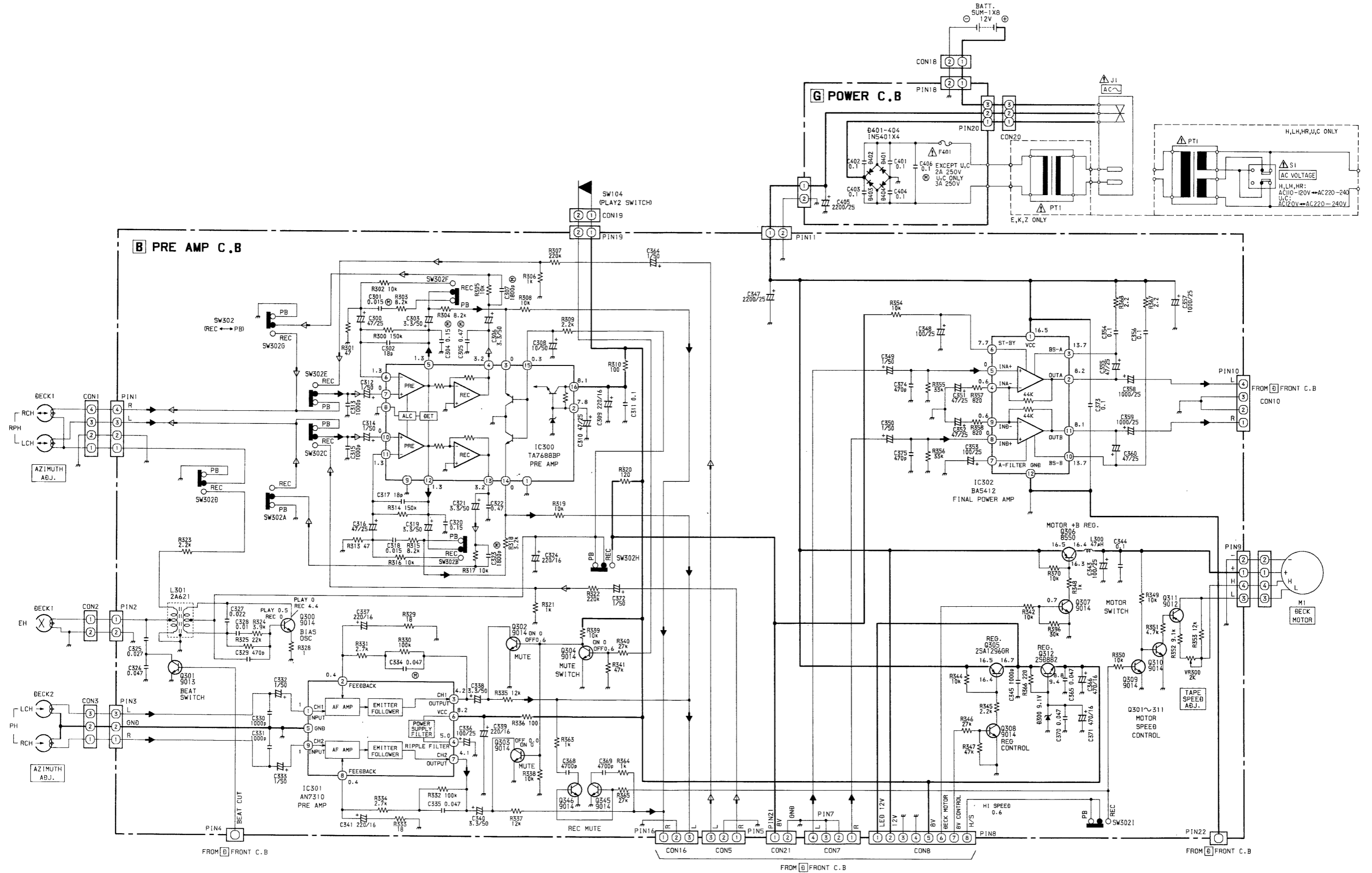
## ELECTRICAL MAIN PARTS LIST

REF. NO.	PART NO.	DESCRIPTION
===IC===		
	S5-690-005-810	LIGHT DETECTING UNIT(IC, GP1581Y)
===FRONT CIRCUIT BOARD SECTION===		
C182	87-010-260-010	CAP, E 47UF-25V
===MISCELLANEOUS===		
△PT1	S5-235-800-000	POWER TRANSFORMER 115/230V (EXCEPT E, Z)
△PT1	S5-235-800-200	POWER TRANSFORMER(E, Z)

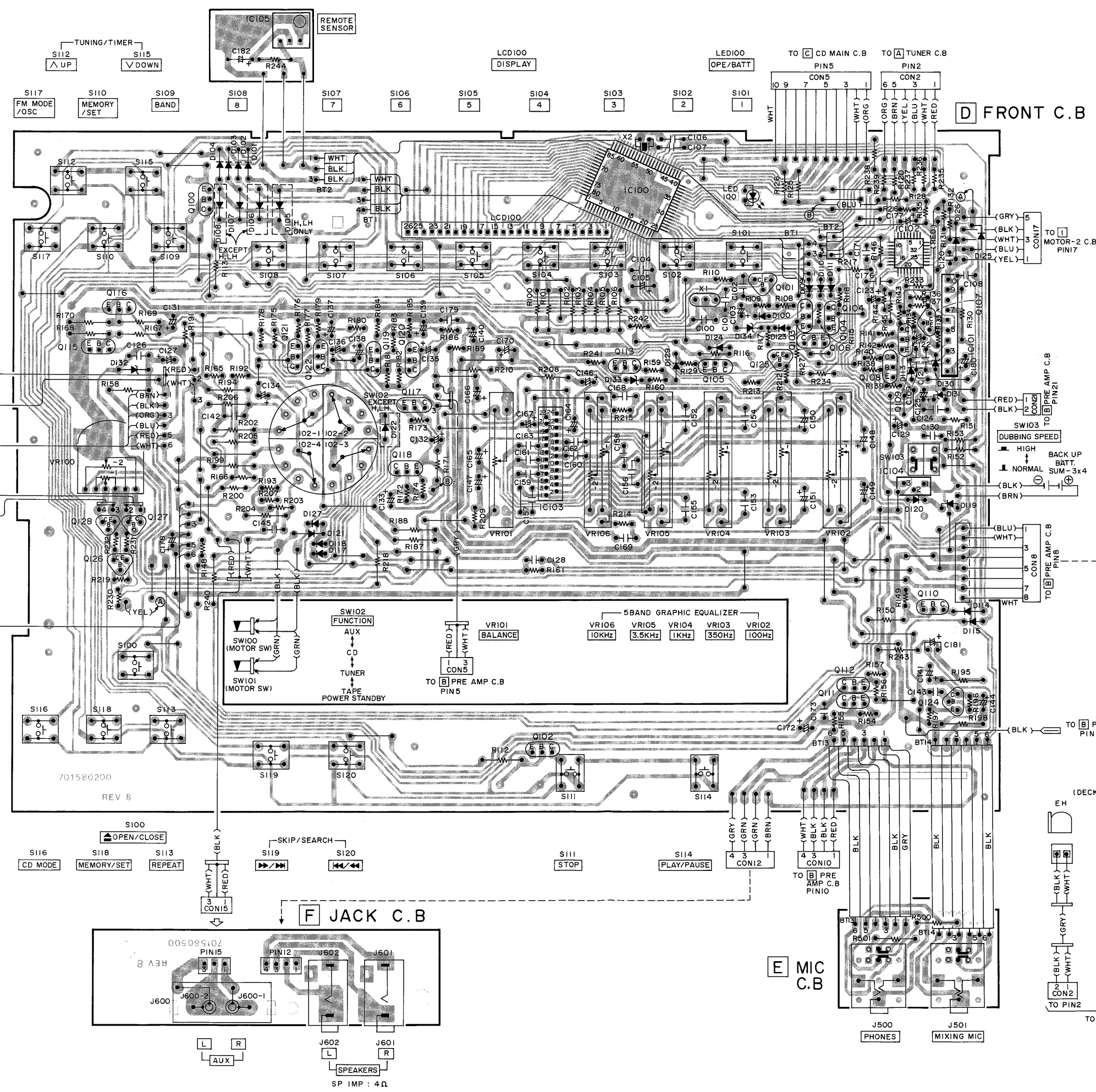
## ■ ACCESSORIES/PACKAGE LIST

PART NO. CHANGED TO	REF. NO.	PART NO.	DESCRIPTION	COMMON MODEL	Q,TY
	1	S6-015-832-010	INSTRUCTION BOOKLET (E, U, C)		1
	1	S6-015-831-010	INSTRUCTION BOOKLET (K, Z)		1
	1	S6-015-837-010	INSTRUCTION BOOKLET (H, LH, HR)		1
	2	S5-795-800-200	POWER CORD SET (HR, E, Z)		1
	2	S5-795-800-010	POWER CORD SET (H, LH, U, C)		1
	2	S5-795-800-020	POWER CORD SET (K)		1
	3	SR-C20-0H0-000	REMOTE CONTROL ASSY		1

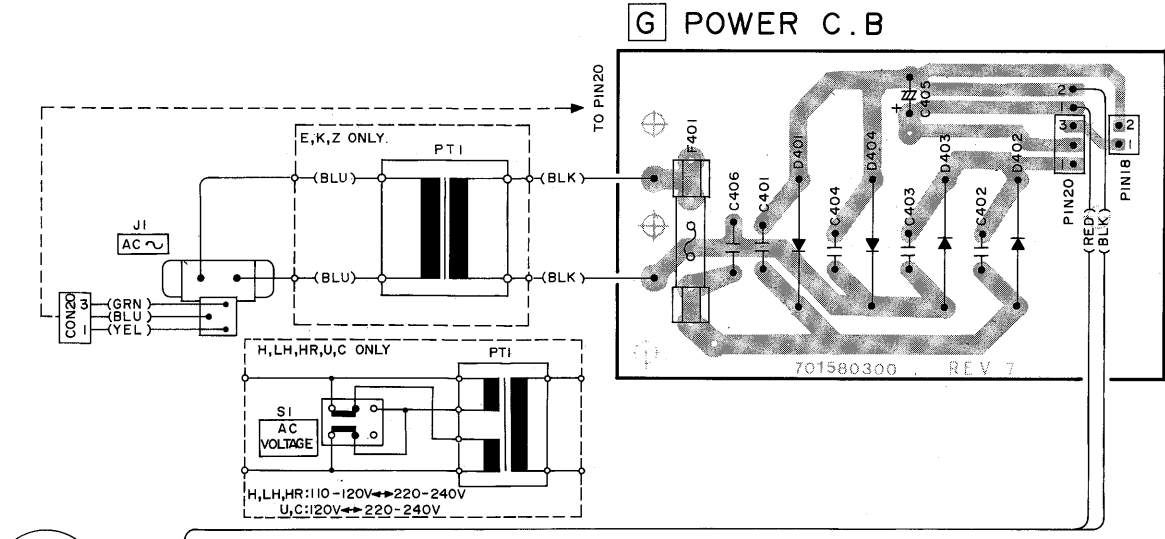
SCHEMATIC DIAGRAM - 6 (PRE AMP)



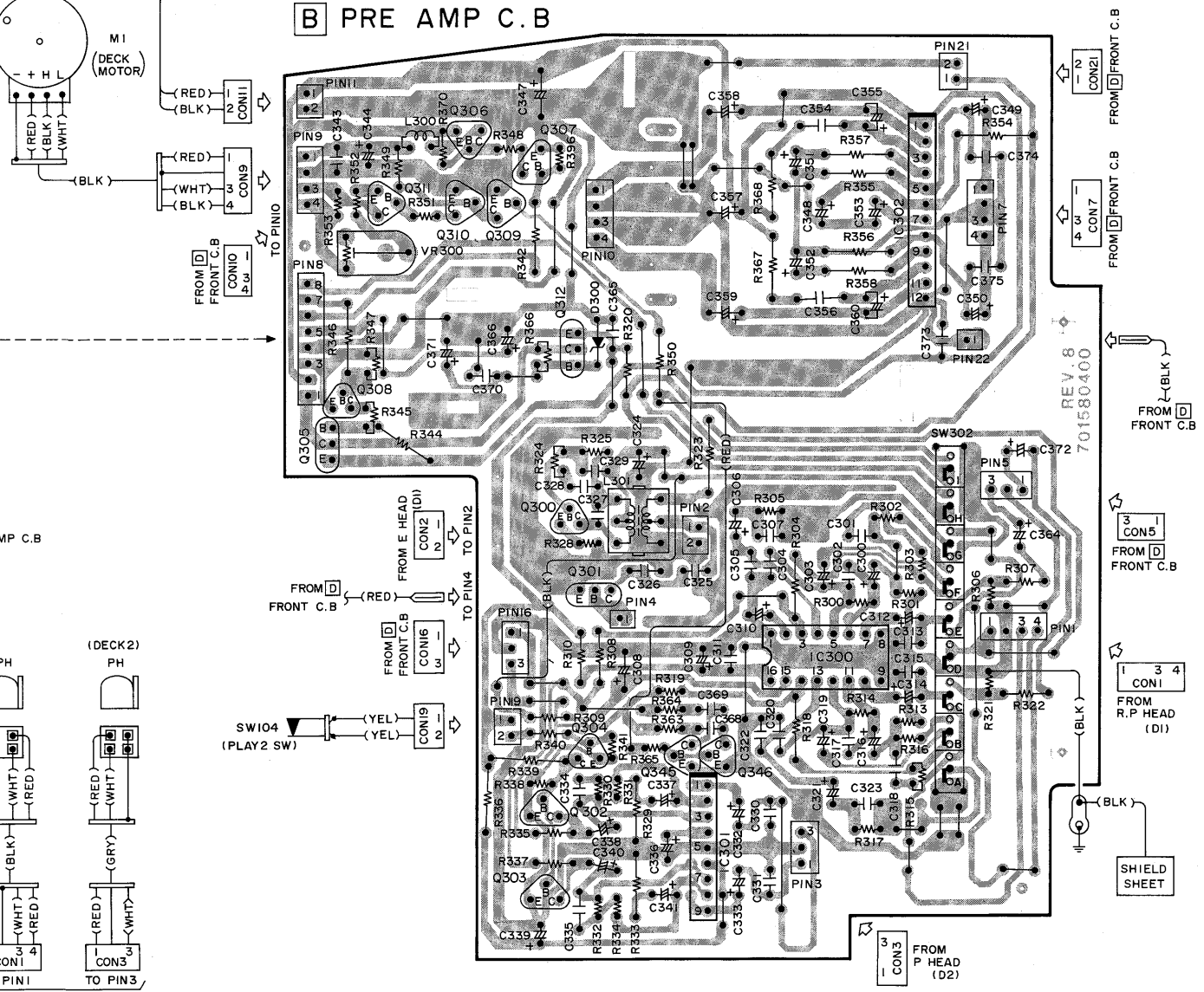
A  
B  
C  
D  
E  
F  
G  
H  
I  
J  
K



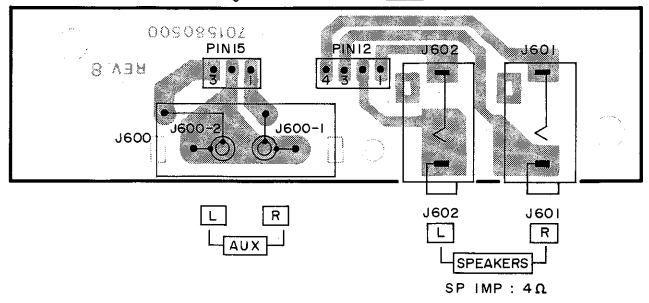
D FRONT C.B



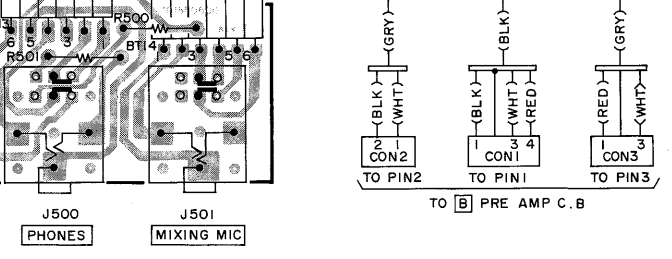
B PRE AMP C.B

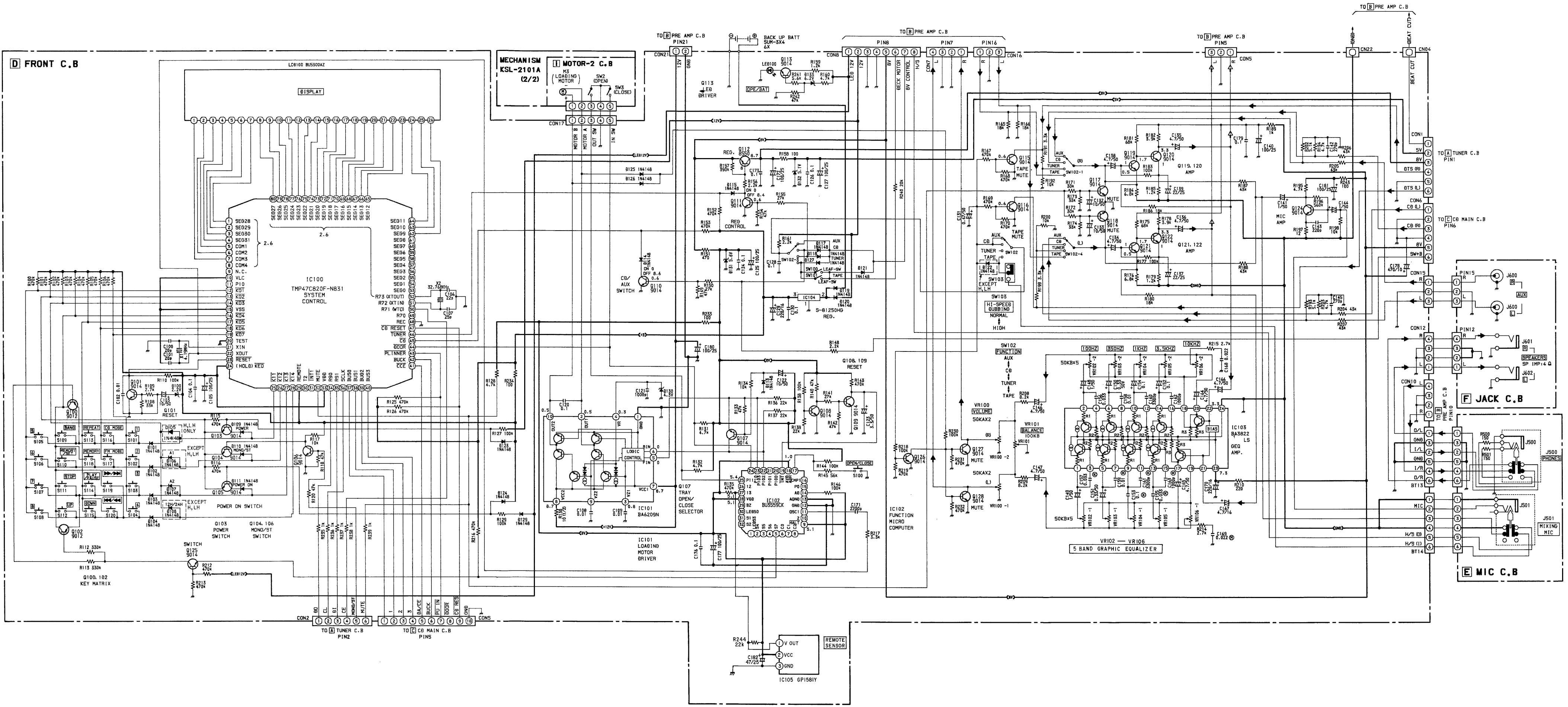


F JACK C.B



E MIC C.B





# ALTERNATION PARTS LIST

## MECHANICAL PARTS LIST

PART NO. CHANGED TO	REF. NO.	PART NO.	DESCRIPTION	COMMON MODEL	Q'TY
	1-1	★S7-358-301-010	FRONT CABINET		1
	1-2	★S7-358-300-040	LCD DISPLAY		1
	1-4	★S4-525-830-010	CASSETTE DOOR SPRING		2
	1-13	★S4-058-000-400	CASSETTE TAPE HOLD SPRING (EXCEPT 200)		4
	1-13	★S4-058-010-010	TAPE HOLDER SPRING (200)		4
	1-27	★S7-358-020-060	BAND BUTTON		1
	1-28	★S7-358-000-250	LCD HOLDER (EXCEPT 200)		1
	1-28	★S7-358-040-040	LCD BRACKET (200)		1
	2-9	---	CD SHIELD PLATE		1
	2-13	★S7-358-000-400	CD BRACKET L (EXCEPT 200)		1
	2-13	★S7-358-040-010	CD MOUNT BRACKET L (200)		1
	2-14	★S7-358-000-410	CD BRACKET R (EXCEPT 200)		1
	2-14	★S7-358-040-020	CD MOUNT BRACKET R (200)		1
	3-1	★S7-358-300-020	FRONT CABINET LEFT (EXCEPT HR, LH)		1
	3-1	★S7-358-301-030	FRONT SPEAKER PANEL L (200 HR, LH)		1
	3-1	★S7-358-300-010	FRONT CABINET RIGHT (EXCEPT HR, LH)		1
	3-1	★S7-358-301-020	FRONT SPEAKER PANEL R (200 HR, LH)		1
	3-2	★S4-058-300-010	SPEAKER GRILLE		2
	3-5	---	SPEAKER BOTTOM CABINET LEFT		1
	3-5	---	SPEAKER BOTTOM CABINET RIGHT		1

サービス技術ニュース	
番号	連絡内容
G-	-
G-	-
G-	-

**アイワ株式会社**  
**AIWA CO.,LTD.**

912162 750038

Tokyo Japan

〒110 東京都台東区池之端1-2-11

☎03 (3827) 3111 (代表)

Printed in Singapore