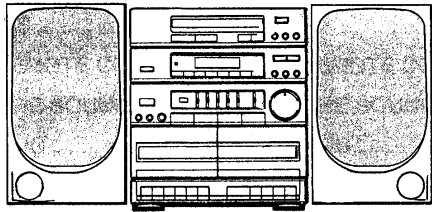


# aiwa

## XG-220 NSX-220



COMPACT DISC STEREO SYSTEM

- BASIC TAPE MECHANISM : TN - 21ZSW / TN - 521ZSW
- BASIC CD MECHANISM : KSL - 2101A
- TYPE. D, HE, LH, U, E, K

製品コード : 82MXE - 0117

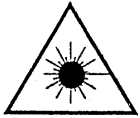
MANUAL  
SERVICE

# PROTECTION OF EYES FROM LASER BEAM DURING SERVICING

This set employs laser. Therefore, be sure to follow carefully the instructions below when servicing.

## WARNING!!

WHEN SERVICING, DO NOT APPROACH THE LASER EXIT WITH THE EYE TOO CLOSELY. IN CASE IT IS NECESSARY TO CONFIRM LASER BEAM EMISSION. BE SURE TO OBSERVE FROM A DISTANCE OF MORE THAN 30cm FROM THE SURFACE OF THE OBJECTIVE LENS ON THE OPTICAL PICK-UP BLOCK.



- Caution: Invisible laser radiation when open and interlocks defeated avoid exposure to beam.
- Advarsel: Usynlig laserstraling ved åbning, når sikkerhedsafbrydere er ude af funktion.  
Undgå udsættelse for stråling.

## VAROITUS!

Laiteen Käyttäminen muulla kuin tässä käyttöohjeessa mainitulla tavalla saattaa altistaa käyttäjän turvallisuusluokan 1 ylittävälle näkymättömälle lasersäteilylle.

## WARNING!

Om apparaten används på annat sätt än vad som specificeras i denna bruksanvisning, kan användaren utsättas för osynlig laserstrålning, som överskrider gränsen för laserklass 1.

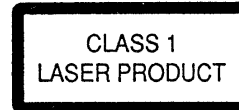
## CAUTION

Use of controls or adjustments or performance of procedures other than those specified herein may result in hazardous radiation exposure.

## ATTENTION

L'utilisation de commandes, réglages ou procédures autres que ceux spécifiés peut entraîner une dangereuse exposition aux radiations.

This Compact Disc player is classified as a CLASS 1 LASER product. The CLASS 1 LASER PRODUCT label is located on the rear exterior.



## 光学ブロック (KSS - 210A) 交換時の注意

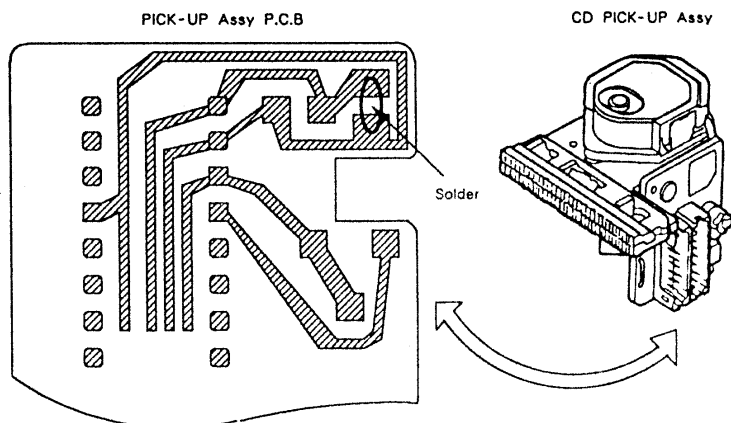
光学系ブロック内のレーザーダイオードは、衣服や人体に帯電した静電荷等で電位差を生じることにより、静電破壊することがあります。人体アース、作業台のアースをとり、衣服が触れぬよう注意して下さい。

- 1) コネクターを接続後、右図に示すハンダ付けを取り除いて下さい。

## Precaution to replace Optical block (KSS - 210A)

Body or clothes electrostatic potential could ruin laser diode in the optical block. Be sure to ground body and workbench, and make sure the clothes do not touch the diode.

- 1) After the connection, remove the solder shown in the right figure.



# TRANSISTOR ILLUSTRATION



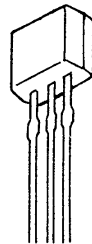
E C B

2SA1296  
2SA933  
2SA952  
2SC2001



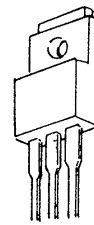
E B C

9014C  
9015C  
JE9013F-H



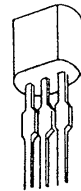
ECB

2SC1740  
DTA144ES  
DTC124XS



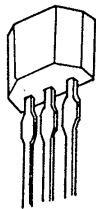
B C E

2SB1292



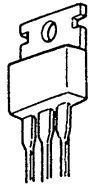
D G S

2SK362



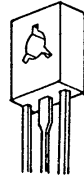
D S G

2SK161Y



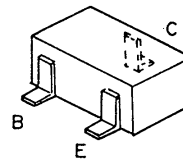
B C E

2SB1064



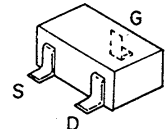
ECB

2SD882



B E C

2SC2712



S D G

2SK209Y

2SC2714

2SC3326

DTA114YK

DTA143EK

DTA143XK

DTA144EX

DTC114YK

DTC124XK

DTC143EK

DTC144TK

## ACCESSORIES/PACKAGE LIST

PART NO. CHANGED TO	REF. NO.	PART NO.	カンリ NO.	DESCRIPTION	COMMON MODEL	Q,TY
	1	S5-715-810-010	1E	AM LOOP ANTENNA		1
	2	S6-015-810-080		I. B. E/K		1
	2	S6-015-810-010		I. B. U		1
	2	S6-015-810-090		I. B. H		1
	2	S6-015-810-100	1C	I. B. D		1
	3	SR-C22-0E0-000	—	REMOCON ASSY (D)		1
	3	SR-C22-0HJ-000		REMOCON ASSY (HE, LH, U)		1
	3	SR-C22-0DD-000		REMOCON ASSY (E, K)		1
	4	S5-070-001-080		AC PLUG ADAPTOR (LH)		1
	4	S5-070-000-080		AC PLUG ADAPTOR FLAT (HE)		1

# ELECTRICAL MAIN PARTS LIST

REF. NO.	PART NO.	カナリNO.	DESCRIPTION
===IC===			
	S5-690-005-810		1H LIGHT DETECTING UNIT (REMOTE SENSOR)
	87-002-258-010	2A	IC, AN8377N
	S3-131-521-80A	1B	IC, BA15218N
	S3-130-456-000	1B	IC, BA4560N
	S3-133-422-00A	1D	IC, BA3422S
	S3-133-824-00A	1D	IC, BA3824LS
	S3-130-455-80A	1B	IC, BA4558N
	S3-190-620-90A	1C	IC, BA6209N
	S3-080-355-900	2A	IC, BU3559CK
	S3-194-052-00A	1C	IC, BU4052B
	△87-001-196-010	1A	IC, ICP-N10

87-002-268-010	1H	IC, LA1851N
87-001-927-080	1H	IC, LCT218M
S3-133-102-00A	1D	IC, MN3102
S3-133-207-00A	2M	IC, MN3207

87-001-270-010	1B	IC, M5223L
S3-110-780-560	1B	IC, NJM7805A
87-002-407-010	2A	IC, TA8191F
87-001-176-010	1E	IC, TA8102P

S3-130-812-40A	1H	IC, TA8124F
87-002-264-080	1D	IC, TA8176F
S3-130-821-00A	2M	IC, TA8210A
87-002-408-010	2Y	IC, TC9236F

S3-647-837-03A	2B	IC, TMP47C820F
87-002-259-010	1H	IC, UPD6376GS

## ===TRANSISTOR===

S3-230-016-100	1A	FET, 2SK161Y
89-502-094-010	1A	FET, 2SK209Y
S3-230-036-200	1B	FET, 2SK362
89-112-965-010	1A	TR, 2SA1296GR

87-026-452-080	OE	TR, 2SA933S
S3-210-095-230	1A	TR, 2SA952K
89-210-642-010	1B	TR, 2SB1064E
S3-220-129-20A	1C	TR, 2SB1292F

87-026-462-080	OE	TR, 2SC1740S(RS)
89-320-014-010	OE	TR, 2SC2001
89-327-126-010	OE	TR, 2SC2712Y
89-327-143-080	OE	TR, 2SC2714(O)

S3-210-088-20A	1A	TR, 2SD882Q
S3-210-901-46A	OE	TR, 9014C
S3-210-901-53A	OE	TR, 9015C
S3-210-332-60A	1A	TR, CHIP 2SC3326B

S3-220-011-41A	OE	TR, DTA114YK
87-026-286-010	OE	TR, DTA143EK
S3-220-014-31A	OE	TR, DTA143XK
S3-220-014-42A	OE	TR, DTA144ES

S3-220-614-40A	OE	TR, DTA144EK
S3-210-011-40A	OE	TR, DTC114YK
87-026-291-080	OE	TR, DTC124XK
87-026-291-080	OE	TR, DTC124XS

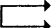
87-026-287-010	OE	TR, DTC143EK
S3-210-614-41A	OE	TR, DTC144TK
S3-210-901-320	OE	TR, JE9013F-H
S3-210-080-50A	OE	TR, SS8050C

S3-220-855-00A	OE	TR, SS8550C
S3-220-901-23A	OE	TR, SS9012H


## ===DIODE===

S3-330-002-20A	OE	ZENER, 2V2B 1/2W
S3-330-004-30A	OE	ZENER, 4V3B 1/2W
S3-330-091-00A	OE	ZENER, 9V1C 1/2W
S3-330-011-00A	OE	ZENER, MTZ11B

S3-330-200-00A	OE	ZENER, MTZ20D 1/2W
S3-330-100-00A	OE	ZENER, MTZJ10B

※  この印のパーツは相互に使用可能です。

REF. NO.	PART NO.	カナリNO.	DESCRIPTION
	S3-330-011-02A	OE	ZENER, MTZJ11B
	87-020-465-010	OE	DIODE, 1SS133
	S3-320-013-50A	OE	DIODE, 1SS135
	87-020-027-080	OE	DIODE, 1SS184
	S3-350-008-100	1D	DIODE, 8.0A BR81
	S3-301-414-80A	OE	DIODE, 1N4148
	S3-315-401-00C	OE	DIODE, 1N5401
	S3-320-072-10A	OE	DIODE, RB721
===TUNER CURCUIT BOARD SECTION===			
BPF1	S5-535-800-010		FILTER BPMB 6AT(EXCEPT D)
C7	87-010-067-010		CAP, E 0.1UF-50V(EXCEPT D)
C17	87-010-067-010	OE	CAP, E 0.1UF-50V(D)
C31	87-010-067-010		CAP, E 0.1UF-50V(EXCEPT D)
C41	87-010-374-010	OE	CAP, E 47UF-10V(D)
C72	87-010-248-010	OE	CAP, E 220UF-10V(D)
C73	87-010-248-010		CAP, E 220UF-10V(EXCEPT D)
C73	87-010-402-010	OE	CAP, E, 2.2UF-50V(D)
C74	87-010-402-010		CAP, E 2.2UF-50V(EXCEPT D)
C77	S2-410-500-51A	OE	CAP-E, 1UF-50V(D)
C78	S2-410-500-51A		CAP-E, 1UF-50V(EXCEPT D)
C79	S2-410-500-51A	OE	CAP-E, 1UF-50V
C80	87-010-546-010		CAP, E 0.33UF-50V(EXCEPT D)
C80	S2-410-500-51A	OE	CAP-E, 1UF-50V(D)
C81	87-010-546-010	OE	CAP, E 0.33UF-50V(D)
C81	S2-410-500-51A		CAP-E, 1UF-50V(EXCEPT D)
C84	S2-410-500-51A		CAP-E, 1UF-50V(EXCEPT D)
C86	87-010-404-010		CAP, E 4.7UF-50V(EXCEPT D)
C87	87-010-405-010	OE	CAP, E 10U-50V(D)
C87	S2-410-500-51A		CAP-E, 1UF-50V(EXCEPT D)
C90	87-010-405-010		CAP, E 10U-50V(EXCEPT D)
C91	87-010-545-010		CAP, E 0.22UF-50(EXCEPT D)
C92	87-010-405-010	OE	CAP, E 10U-50V(D)
C96	87-010-067-010	OE	CAP, E 0.1UF-50V(D)
C96	87-010-545-010		CAP, E 0.22UF-50(EXCEPT D)
C97	87-010-371-010		CAP, E 470UF-10V(EXCEPT D)
C105	87-010-067-010	OE	CAP, E 0.1UF-50V(D)
C106	87-010-067-010	OE	CAP, E 0.1UF-50V(D)
C111	87-010-371-010	OE	CAP, E 470UF-10V(D)
C120	S2-410-700-110		CAP, E 100UF-10V(EXCEPT D)
C123	87-010-402-010		CAP, E 2.2UF-50V(EXCEPT D)
C129	S2-422-600-51A		CAP-E, 22UF-50V(EXCEPT D)
C134	87-010-374-010		CAP, E 47UF-10V(EXCEPT D)
C136	87-010-405-010		CAP, E 10U-50V(EXCEPT D)
C137	S2-410-700-110	OE	CAP, E 100UF-10V(D)
C139	87-010-403-010	OE	CAP, E 3.3UF-50V(D)
C172	87-010-404-010	OE	CAP, E 4.7UF-50V(D)
C175	S2-410-500-51A	OE	CAP-E, 1UF-50V(D)
C176	S2-410-500-51A	OE	CAP-E, 1UF-50V(D)
C177	S2-410-700-110	OE	CAP, E 100UF-10V(D)
C182	87-010-402-010	OE	CAP, E, 2.2UF-50V(D)
C184	S2-410-700-110	OE	CAP, E 100UF-10V(D)
C190	87-010-402-010	OE	CAP, E, 2.2UF-50V(D)
C309	87-010-405-010	OE	CAP, E 10U-50V(D)
CF1	S5-531-070-52B	1B	CERA FIL 10.7MA(D)
CF1	S5-531-070-510		FLTR CERAMIC 10.7MS2-A(EXCEPT D)
CF2	S5-531-070-52B	1B	CERA FIL 10.7MA(D)
CF2	S5-531-070-510		FLTR CERAMIC 10.7MS2-A(EXCEPT D)
IFT1	S5-205-800-030	1B	IFT, FM (QUAD)PS
L2	S5-214-780-000	1E	C-COIL, 4.7UH(D)
L3	S5-212-280-01A	OE	INDUCTOR 2.2UH O2
L4	S5-211-010-000		INDUCTOR 100UH(EXCEPT D)
L6	S5-205-800-08B	1A	COIL, OSC AM(D)
L6	S5-211-010-000		INDUCTOR 100UH(EXCEPT D)
L7	S5-205-800-04B		COIL, OSC LW PS(E, K)
L7	S5-205-810-010	1B	COIL, MW ANT(D)
L8	S5-205-800-010		COIL, OSC MW PS(EXCEPT D)
L14	S5-214-700-00A	OE	INDUCTOR 47UH(D)

※ The  marked parts are compatible with each other.

REF. NO.	PART NO.	カクシNO.	DESCRIPTION
L15	S5-213-300-000	1B	C-COIL, 33UH(D)
MFT1	S5-535-800-00B	1D	FLTR CFMT 450PS
SFR1	S1-811-033-620	0E	SFR 10K-3P(D)
SFR1	S1-812-233-020		SFR 22K-3P(EXCEPT D)
SFR2	S1-811-033-020		SFR 10K-3P(EXCEPT D)
VC1	S3-390-020-90B	1B	DIODE, SVC209TA(D)
VC1	S3-390-020-900		DIODE, SVC209TA(EXCEPT D)
VC2	S3-390-020-900		DIODE, SVC209TA(EXCEPT D)
VC2	S3-390-020-90B	1B	DIODE, SVC209TA(D)
VC3	S3-390-020-90B	1B	DIODE, SVC209TA(D)
VC3	S3-390-156-000		DIODE, KV1560(E, K)
VC4	S3-390-156-000	1E	DIODE, KV1560
X1	S5-517-200-010	1C	X'TAL 7.2MHZ
X2	S5-520-045-700	1A	CERA RESO KBR457HS15
X3	S5-520-360-00B	1B	CERA RESO CSA3.6(D)

===PRE AMP CIRCUIT BOARD SECTION===

C301	S2-422-700-31A	0E	CAP-E, 220UF-25V
C302	S2-447-600-31A	0E	CAP-E, 47UF-50V
C306	S2-410-700-31A	0E	CAP-E, 100UF-25V
C307	S2-410-700-31A	0E	CAP-E, 100UF-25V
C308	S2-410-500-51A	0E	CAP-E, 1UF-50V
C311	87-010-405-010	0E	CAP, E 10U-50V
C312	S2-422-700-31A	0E	CAP-E, 220UF-25V
C313	S2-447-700-41A	1A	CAP-E, 470UF-25V
C314	87-010-382-010	0E	CAP, E, 22UF-25V
C315	87-010-382-010	0E	CAP, E, 22UF-25V
C316	87-010-382-010	0E	CAP, E, 22UF-25V
C317	S2-447-500-31A	0E	CAP-E, 4.7UF-25V
C318	S2-422-700-31A	0E	CAP-E, 220UF-25V
C319	S2-422-700-31A	0E	CAP-E, 220UF-25V
C320	S2-410-500-51A	0E	CAP-E, 1UF-50V
C321	S2-410-500-51A	0E	CAP-E, 1UF-50V
C322	87-010-403-010	0E	CAP, E 3.3UF-50V
C323	87-010-403-010	0E	CAP, E 3.3UF-50V
C328	S2-447-600-31A	0E	CAP-E, 47UF-50V
C329	S2-447-600-31A	0E	CAP-E, 47UF-50V
C332	S2-447-500-31A	0E	CAP-E, 4.7UF-25V
C333	S2-447-500-31A	0E	CAP-E, 4.7UF-25V
C341	87-010-405-010	0E	CAP, E 10U-50V
C347	S2-447-600-31A	0E	CAP-E, 47UF-50V
C356	87-010-405-010	0E	CAP, E 10U-50V
OSC301	S5-221-320-00B	1A	AC BIAS OSC
VR301	S1-823-025-10A	0E	SEMI FIXID VR 3KB

===CD MAIN CIRCUIT BOARD SECTION===

C1	87-010-382-010	0E	CAP, E 22UF-25V
C6	87-010-248-010	0E	CAP, E 220UF-10V
C9	87-010-545-010	0E	CAP, E, 0.22UF-50V
C10	S2-410-700-110	0E	CAP, E 100UF-10V
C11	S2-410-500-51A	0E	CAP-E, 1UF-50V
C12	87-010-248-010	0E	CAP, E 220UF-10V
C15	87-010-265-080	0E	CAP, E 33UF-16V
C16	87-010-403-010	0E	CAP, E 3.3UF-50V
C17	87-010-374-010	0E	CAP, E 47UF-10V
C24	87-010-248-010	0E	CAP, E 220UF-10V
C27	87-010-235-080	0E	CAP, E 470UF-16V
C35	S2-410-700-110	0E	CAP, E 100UF-10V
C38	S2-410-700-110	0E	CAP, E 100UF-10V
C44	87-010-248-010	0E	CAP, E 220UF-10V
C50	87-010-374-010	0E	CAP, E 47UF-10V
C52	S2-410-500-51A	0E	CAP-E, 1UF-50V
C64	87-010-381-080	0E	CAP, E 330UF-16V
C101	87-010-374-010	0E	CAP, E 47UF-10V
C102	87-010-374-010	0E	CAP, E 47UF-10V
C109	87-010-404-010	0E	CAP, E, 4.7UF-50V
C110	87-010-404-010	0E	CAP, E, 4.7UF-50V
EMI1	S5-535-800-020	0E	FLTR O1RNI

REF. NO.	PART NO.	カクシNO.	DESCRIPTION
EMI2	S5-535-800-020	0E	FLTR O1RNI
△R40	S1-042-285-100		RES, 2.2 OHM-1/2W W/FUSE(E, K)
SFR1	S1-814-723-020	0E	SFR 4.7K-3P
SFR2	S1-811-043-020	0E	SFR 100K-3P

X1 S5-520-169-300 1B CERA RESO 16.93M

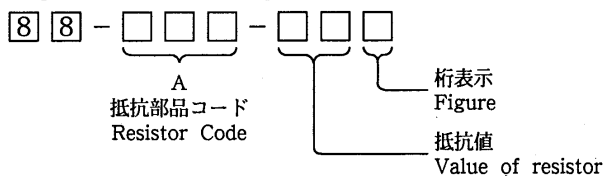
===FRONT CIRCUIT BOARD SECTION===

C101	87-010-405-010	0E	CAP, E, 10U-50V
C102	87-010-405-010	0E	CAP, E, 10U-50V
C104	S2-447-600-01A	0E	CAP-E, 47U-25V
C108	87-010-405-010	0E	CAP, E, 10U-50V
C109	S2-447-600-01A	0E	CAP-E, 47U-25V
C112	87-010-405-010	0E	CAP, E, 10U-50V
C113	S2-412-290-00A	1D	SUPER CAP 0.022F
C114	87-010-263-010	0E	CAP, E, 100UF-25V
C123	S2-447-600-01A	0E	CAP-E, 47U-25V
C124	S2-422-700-31A	0E	CAP-E, 220UF-25V
C125	87-010-405-010	0E	CAP, E, 1UF-50V
C127	S2-447-500-31A	0E	CAP-E, 4.7UF-25V
C130	87-010-405-010	0E	CAP, E, 1UF-50V
C131	S2-447-500-31A	0E	CAP-E, 4.7UF-25V
C134	S2-447-500-31A	0E	CAP-E, 4.7UF-25V
C136	87-010-545-010	0E	CAP, E 0.22UF-50
C143	S2-447-500-31A	0E	CAP-E, 4.7UF-25V
C144	S2-447-500-31A	0E	CAP-E, 4.7UF-25V
C150	S2-447-500-31A	0E	CAP-E, 4.7UF-25V
C152	87-010-545-010	0E	CAP, E 0.22UF-50
C155	S2-422-700-31A	0E	CAP-E, 220UF-25V
C156	S2-447-500-31A	0E	CAP-E, 4.7UF-25V
C158	S2-447-400-11A	0E	CAP-E, 0.47UF-50V
C159	S2-447-400-11A	0E	CAP-E, 0.47UF-50V
C161	87-010-382-010	0E	CAP, E, 22UF-25V
C164	S2-422-700-31A	0E	CAP-E, 220UF-25V
C169	S2-447-500-31A	0E	CAP-E, 4.7UF-25V
L101	S5-212-280-01A	0E	INDUCTOR 2.2UH 02
L102	S5-214-700-00A	0E	INDUCTOR 47UH
L103	S5-214-700-00A	0E	INDUCTOR 47UH
LCD101	S3-520-053-56B	1B	BLACK LIGHT LCD(DISPLAY)
LED101	S3-340-020-40A	0E	LED, 3.0MM EL2041D(TAPE)
LED102	S3-340-020-40A	0E	LED, 3.0MM EL2041D(AUX/DAT)
LED103	S3-340-020-40A	0E	LED, 3.0MM EL2041D(TUNER)
LED104	S3-340-020-40A	0E	LED, 3.0MM EL2041D(CD)
LED105	S3-515-500-000	0E	LED, 5MM RED(VOCAL FADER)
PL101	S3-563-080-010	1A	LAMP DIA 6.3V-50K (LCD BACK LIGHT)
PL102	S3-563-080-010	1A	LAMP DIA 6.3V-50K (LCD BACK LIGHT)
△R134	S1-041-005-010	0E	RES, 10 OHM-1/2W W/FUSE(EXCEPT U)
S101	S5-165-800-01A	0E	SW, TACT H-9.5MM(5)
S102	S5-165-550-07A	0E	SW, TACT H-5MM(BAND)
S103	S5-165-550-07A	0E	SW, TACT H-5MM(REPEAT)
S104	S5-165-550-07A	0E	SW, TACT H-5MM(MS)
S105	S5-165-800-01A	0E	SW, TACT H-9.5MM(1)
S106	S5-165-800-01A	0E	SW, TACT H-9.5MM(6)
S107	S5-165-550-07A	0E	SW, TACT H-5MM(MEMORY/SET)
S108	S5-165-550-07A	0E	SW, TACT H-5MM(MEMORY/SET)
S109	S5-165-550-07A	0E	SW, TACT H-5MM(STEREO/MONO)
S110	S5-165-800-01A	0E	SW, TACT H-9.5MM(2)
S111	S5-165-800-01A	0E	SW, TACT H-9.5MM(7)
S112	S5-165-550-07A	0E	SW, TACT H-5MM(■)
S113	S5-165-550-07A	0E	SW, TACT H-5MM(▶/■)
S114	S5-165-550-07A	0E	SW, TACT H-5MM(◀/◀)
S115	S5-165-800-01A	0E	SW, TACT H-9.5MM(3)
S116	S5-165-800-01A	0E	SW, TACT H-9.5MM(8)
S117	S5-165-550-07A	0E	SW, TACT H-5MM(∧(+))
S118	S5-165-550-07A	0E	SW, TACT H-5MM(∨(-))
S119	S5-165-550-07A	0E	SW, TACT H-5MM(▶/▶)

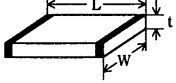
REF. NO.	PART NO.	カギNO.	DESCRIPTION	REF. NO.	PART NO.	カギNO.	DESCRIPTION
S120	S5-165-800-01A	OE SW, TACT	H-9.5MM(4)	===POWER CIRCUIT BOARD SECTION===			
S121	S5-112-210-00B	1B SW, 31PN221	STANDBY(POWER)	△	S5-320-558-00B	OE FUSE CLIP	2A 250V 5×20MM
S122	S5-165-550-07A	OE SW, TACT	H-5MM(△ OPEN/CLOSE)	△	S5-323-399-10B	1A FUSE CLIP	5A 250V VDE(EXCEPT U)
S123	S5-165-550-07A	OE SW, TACT	H-5MM(TAPE)	△	S5-321-119-10B	1A FUSE CLIP	6A 250V UL CSA
S124	S5-165-550-07A	OE SW, TACT	H-5MM(AUX/DAT)	C510	S2-468-800-41A	1H CAP-E,	6800UF-35V
S125	S5-165-550-07A	OE SW, TACT	H-5MM(TUNER)	C511	S2-422-800-31A	1B CAP-E,	2200UF-25V
S126	S5-165-550-07A	OE SW, TACT	H-5MM(CD)	△F501	S5-310-625-000	1A FUSE AGC	6.3A 250V UL
SW101	S5-114-200-00B	1E SW, 4P2T	KARAOKE(VOCAL FADER)	△F502	S5-310-202-500	1A FUSE	2A 250V
SW102	S5-102-258-00B	1B SW, 2P2T	DUBBING (HIGH SPEED DUBBING)	===ANT CIRCUIT BOARD SECTION===			
VR101	S1-825-032-22A	OE SLIDE VR	50KBX2(100Hz)	J1	S5-065-810-00A	1A RCA JACK	HSP-202V-01(AUX/DAT IN)
VR102	S1-825-032-22A	OE SLIDE VR	50KBX2(300Hz)	TM1	S5-065-810-010	1B ANT TERM	(BLK)(ANTENNA)
VR103	S1-825-032-22A	OE SLIDE VR	50KBX2(1kHz)	===MOTOR-1 CIRCUIT BOARD SECTION===			
VR104	S1-825-032-22A	OE SLIDE VR	50KBX2(3.5kHz)	M1	9X-262-513-210	2M MOTOR GEAR	ASSY(SLED)
VR105	S1-825-032-22A	OE SLIDE VR	50KBX2(10kHz)	M2	9X-262-513-310	2C MOTOR ASSY	(W/CHASSIS, T. T.) (SPINDLE)
VR106	S1-811-032-00B	1B VR, MIC	10KB(MIXING VOLUME)	SW1	91-572-085-110	1B SW, LEAF	(INSIDE LIMIT)
VR107	S1-821-042-06A	1B VR, BALANCE	100KW(BALANCE)	===MOTOR-2 CIRCUIT BOARD SECTION===			
VR108	S1-822-032-14B	SINGLEB ECHO VR	20KB (DIGITAL ECHO)(HE)	M3	9X-262-511-710	-- MOTOR ASSY	(LOADING)
X101	S5-514-194-30B	1D XTAL,	4.194304M	SW2	91-572-086-110	1B SW, LEAF	(OPEN)
X102	S5-524-000-0BE	1B CERA RESO	4.00M	SW3	91-572-088-110	1B SW, LEAF	(CLOSE)
===PHONE AMP CIRCUIT BOARD SECTION===							
C201	S2-422-700-21A	CAP-E,	220UF-16V(HE)	===LOOP CIRCUIT BOARD SECTION(EXCEPT D)===			
C203	87-010-403-010	CAP, E	3.3UF-50V(HE)	L1	S5-205-810-02B	COIL, LW	ANT(E, K)
C205	87-010-403-010	CAP, E	3.3UF-50V(HE)	L2	S5-205-810-010	COIL, MW	ANT COIL
C206	87-010-403-010	CAP, E	3.3UF-50V(HE)	===SP TERMINAL CIRCUIT BOARD SECTION===			
C213	87-010-403-010	CAP, E	3.3UF-50V(HE)	TM2	S5-069-007-30B	1C SPARK	TERMINAL(SPEAKER)
C214	87-010-403-010	CAP, E	3.3UF-50V(HE)	===RMC CIRCUIT BOARD SECTION===			
C216	87-010-403-010	CAP, E	3.3UF-50V(HE)	===HEAD FLEX CIRCUIT BOARD SECTION(EXCEPT U)===			
C217	S2-410-500-51A	OE CAP-E,	1UF-50V	PH	S6-202-030-270	2M P. HEAD	MK35P-KF030(D2)
C218	S2-410-500-51A	OE CAP-E,	1UF-50V	S6	S6-403-020-040	1C SW, SLIDE	R66 3167(DIRECTION)
C219	S2-422-700-21A	OE CAP-E,	220UF-16V	===MISCELLANEOUS===			
C220	87-010-402-010	OE CAP, E,	2.2UF-50V	△	98-848-127-11Z	2G OPTICAL	PICK UP(KSS-210A)
C221	S2-410-500-51A	OE CAP-E,	1UF-50V	△	S5-795-810-05H	1D AC CORD	PLUG D(D)
C222	S2-410-500-51A	OE CAP-E,	1UF-50V	△	S5-795-810-03M	AC CORD	2M 2X0.75MM(HE)
C223	87-010-402-010	OE CAP, E,	2.2UF-50V	△	S5-795-810-010	AC CORD	2M BLK(U)
C224	S2-433-700-21A	OE CAP-E,	33UF-25V	△	S5-795-810-04M	AC CORD	2.5M PVC K VER(K)
C225	S2-410-700-31A	OE CAP-E,	100UF-25V	△	S5-795-810-02H	AC CORD	2.5M PLUG E VER(LH, E)
C226	S2-410-700-31A	OE CAP-E,	100UF-25V	C1	87-010-402-010	OE CAP, E,	2.2U-50(EXCEPT U)
C227	S2-447-600-31A	OE CAP-E,	47UF-50V	C1	87-010-405-010	CAP, E	10U-50(U)
C228	S2-410-700-31A	OE CAP-E,	100UF-25V	EH	S6-202-140-190	1E E. HEAD	LE15B-C1(D1)
C229	87-010-403-010	CAP, E	3.3UF-50V(HE)	LED801	S3-340-020-40A	OE LED,	3.0MM EL2041D (VOLUME INDICATOR)
C230	87-010-403-010	CAP, E	3.3UF-50V(HE)	M1	S6-003-020-310	2A MOTOR	(DECK MOTOR)
===MAIN AMP CIRCUIT BOARD SECTION===							
C402	87-010-403-010	OE CAP, E	3.3UF-50V	PH	S6-202-010-750	P. HEAD	MS15R-AA2N1(D2)(U)
C403	87-010-403-010	OE CAP, E	3.3UF-50V	△PT1	S5-235-810-04A	2E TRANS,	100V(D)
C405	S2-433-600-50A	OE CAP-E,	33UF-50V	△PT1	S5-235-810-03A	TRANS,	115/230V(HE, LH)
C407	S2-433-600-50A	OE CAP-E,	33UF-50V	△PT1	S5-235-810-00A	TRANS,	120/240V(U)
C408	S2-447-700-31A	OE CAP-E,	470UF-16V	△PT1	S5-235-810-02A	TRANS,	230V(E)
C413	S2-410-800-31A	1A CAP-E,	1000UF-25V	△PT1	S5-235-810-01A	TRANS,	240V(K)
C415	S2-447-700-41A	1A CAP-E,	470UF-25V	RPH	S6-202-010-750	1H R. P. HEAD	MS15R-AA2N1(D1)
△R406	S1-042-285-30A	OE RES,	2.2 OHM-1/2W W/FUSE	S1	S6-401-011-690	1B SW, LEAF	(D1 PLAY)(EXCEPT U)
△R407	S1-042-285-30A	OE RES,	2.2 OHM-1/2W W/FUSE	S1	S6-401-010-610	SW, LEAF	(D1 PLAY)(U)
△R408	S1-042-285-30A	OE RES,	2.2 OHM-1/2W W/FUSE	S2	S6-401-010-610	1B SW, LEAF	(D1 REC)(EXCEPT U)
△R409	S1-042-285-30A	OE RES,	2.2 OHM-1/2W W/FUSE	S2	S6-401-010-380	SW, LEAF	(D1 REC)(U)
△R414	S1-542-215-31A	OE RES,	220 OHM-1/4W W/FUSE	S3	S6-401-011-490	1B SW, LEAF	(D1 MOTOR)
===VOL CIRCUIT BOARD SECTION===							
C801	S2-422-700-21A	OE CAP-E,	220UF-16V	S4	S6-401-010-610	1B SW, LEAF	(D2 PLAY)
C802	S2-422-700-21A	OE CAP-E,	220UF-16V	S5	S6-401-011-720	1B SW, LEAF	(D2 MOTOR)(EXCEPT U)
VR801	S1-815-032-10B	2P MOTOR DRIVE	VR, 50KA(VOLUME)	S5	S6-401-011-490	SW, LEAF	(D2 MOTOR)(U)
M801	+++	MOTOR	(VOLUME)	S7	S5-140-010-200	OE SW, SLIDE	1P2T(BEAT SERECTOR)(D)
===JACK CIRCUIT BOARD SECTION===							
JACK601	S5-065-800-02A	1B STEREO PHONE JACK	(MIXING MIC)	△S8	S5-145-800-00C	VOL, SELECT	110V-240V (AC VOLTAGE)(HE, LH, U)
JACK602	S5-065-800-02A	1B STEREO PHONE JACK	(PHONES)				

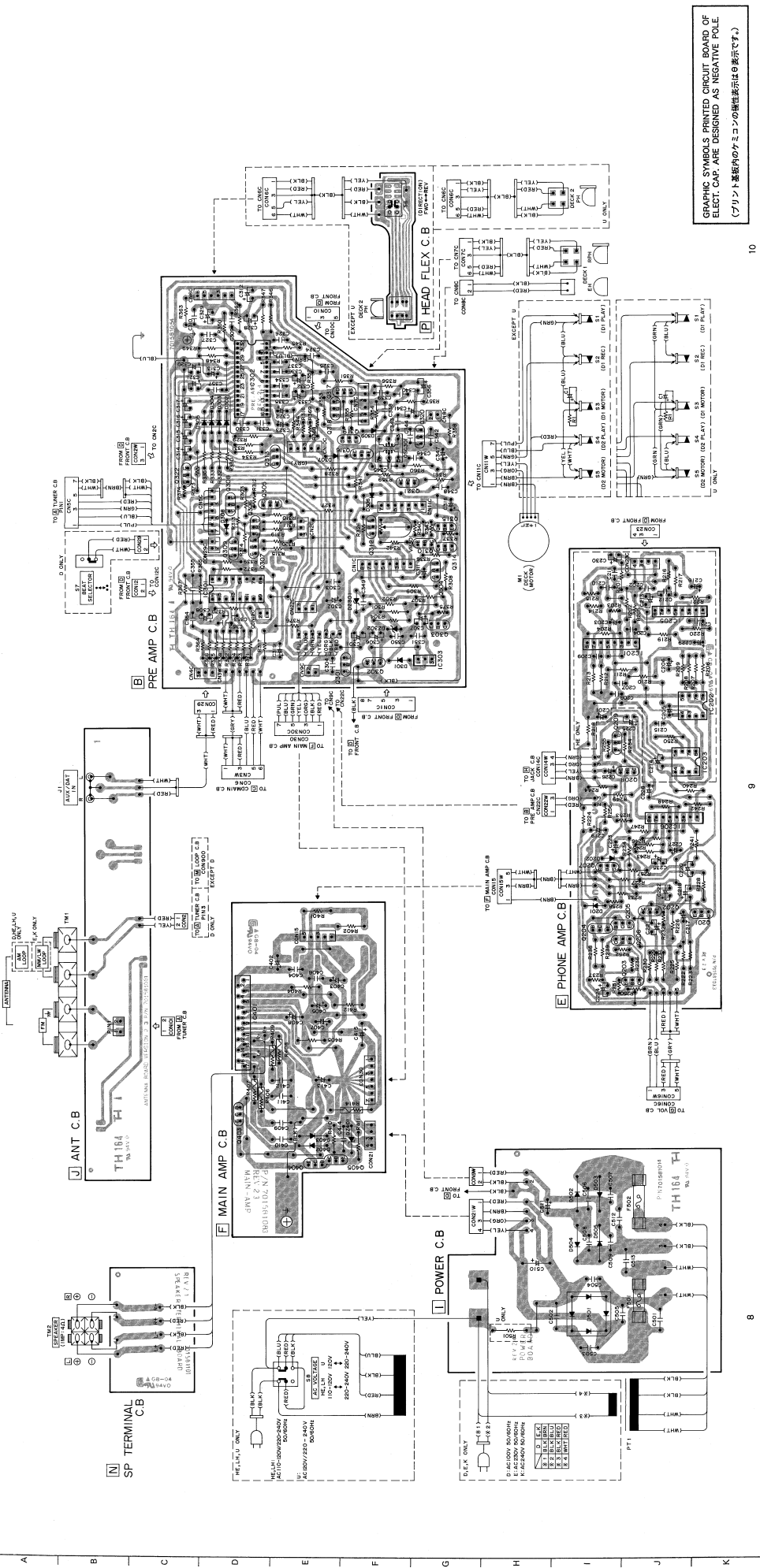
○チップ抵抗部品コード/CHIP RESISTOR PART CODE

チップ抵抗部品コードの成り立ち  
Chip Resistor Part Coding



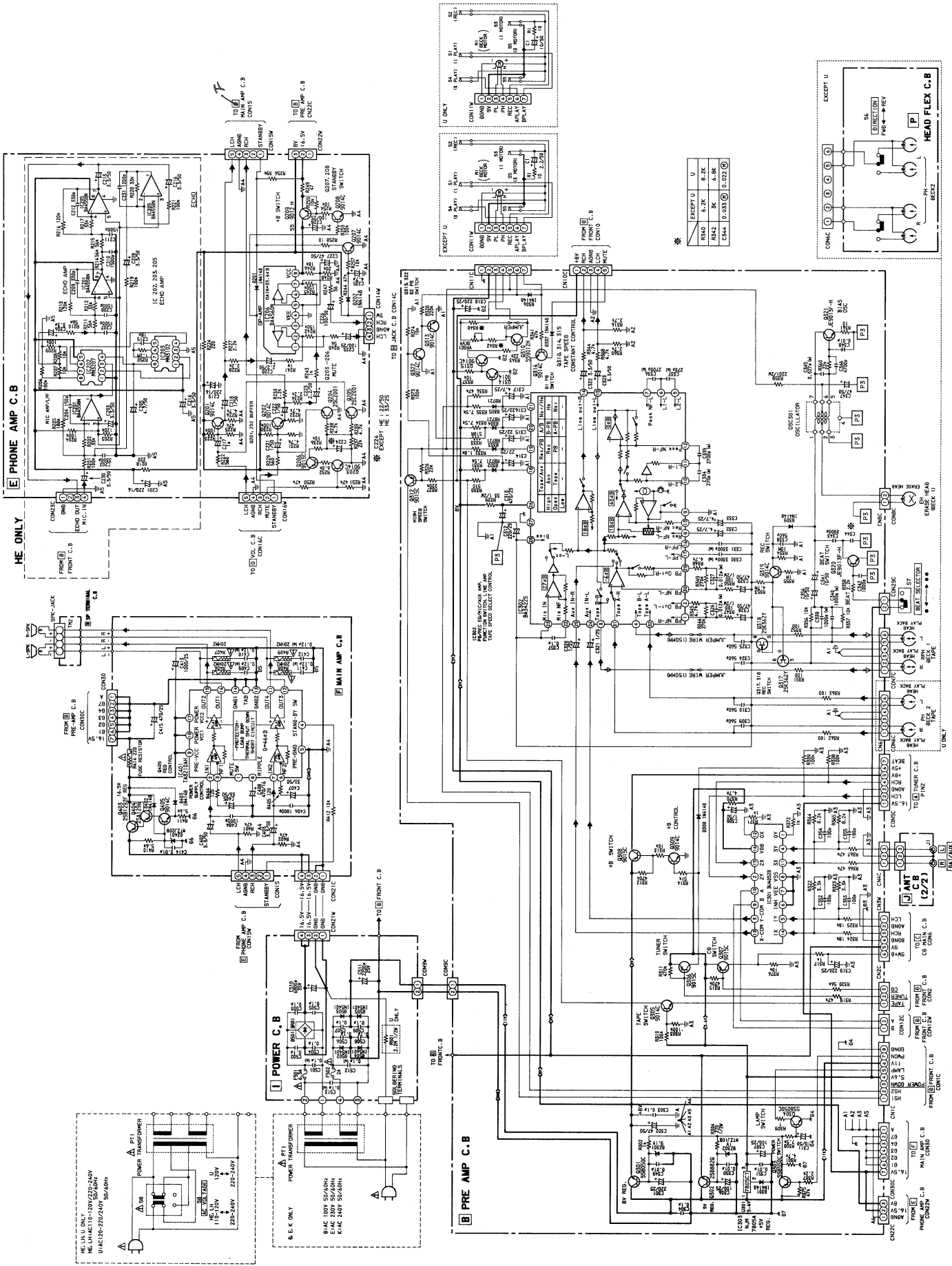
チップ抵抗  
Chip resistor

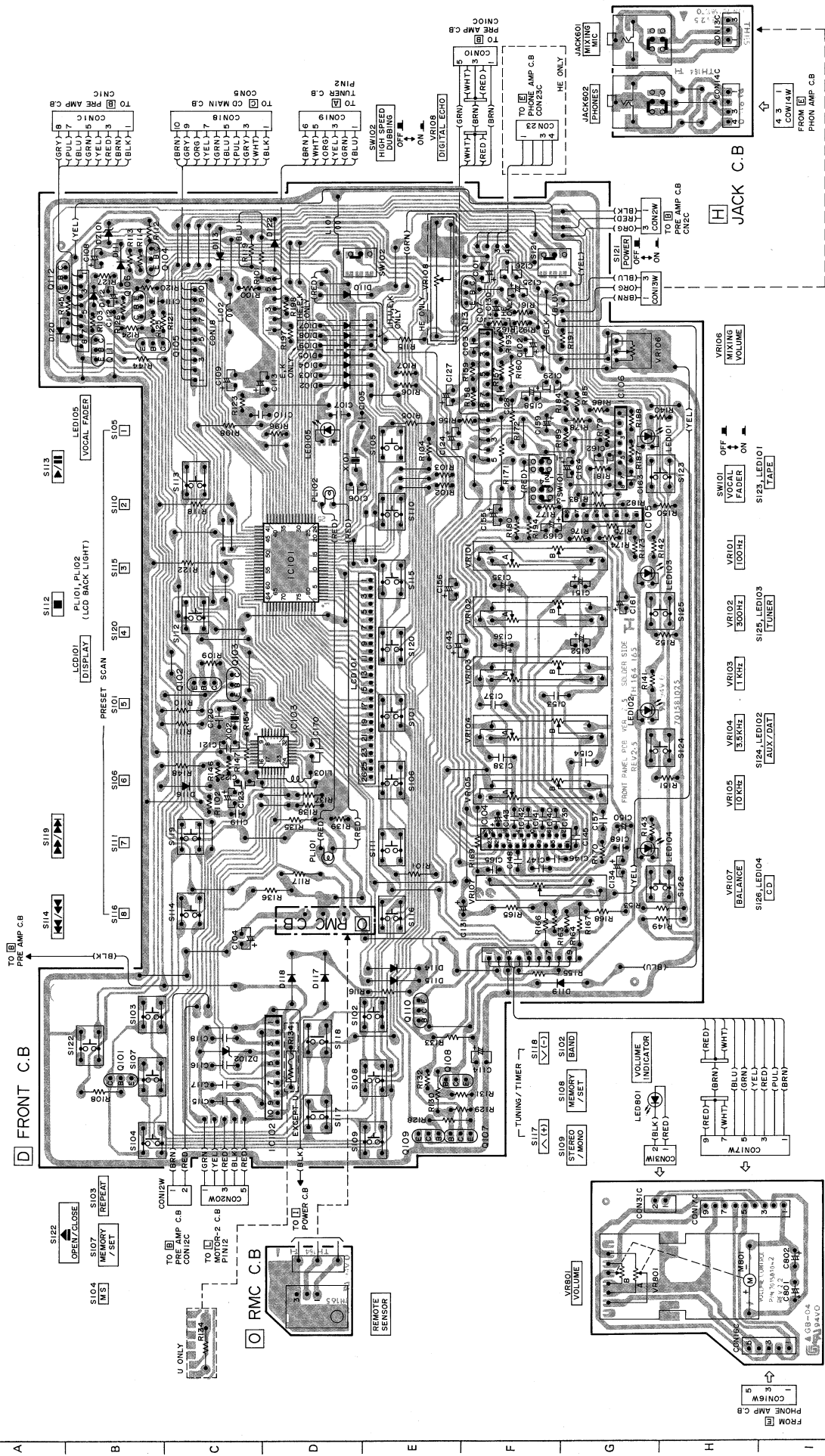
Wattage 容量	Type 種類	Tolerance 許容誤差	Symbol 記号	Dimensions/寸法 (mm)			Resistor Code : A 抵抗コード : A	
				Form/外形	L	W		t
1/32W	1608	± 5 %	CJ		1.6	0.8	0.35	108
1/10W	2125	± 5 %	CJ		2	1.25	1.45	118
1/8W	3126	± 5 %	CJ		3.2	1.6	0.5 ~0.7	128



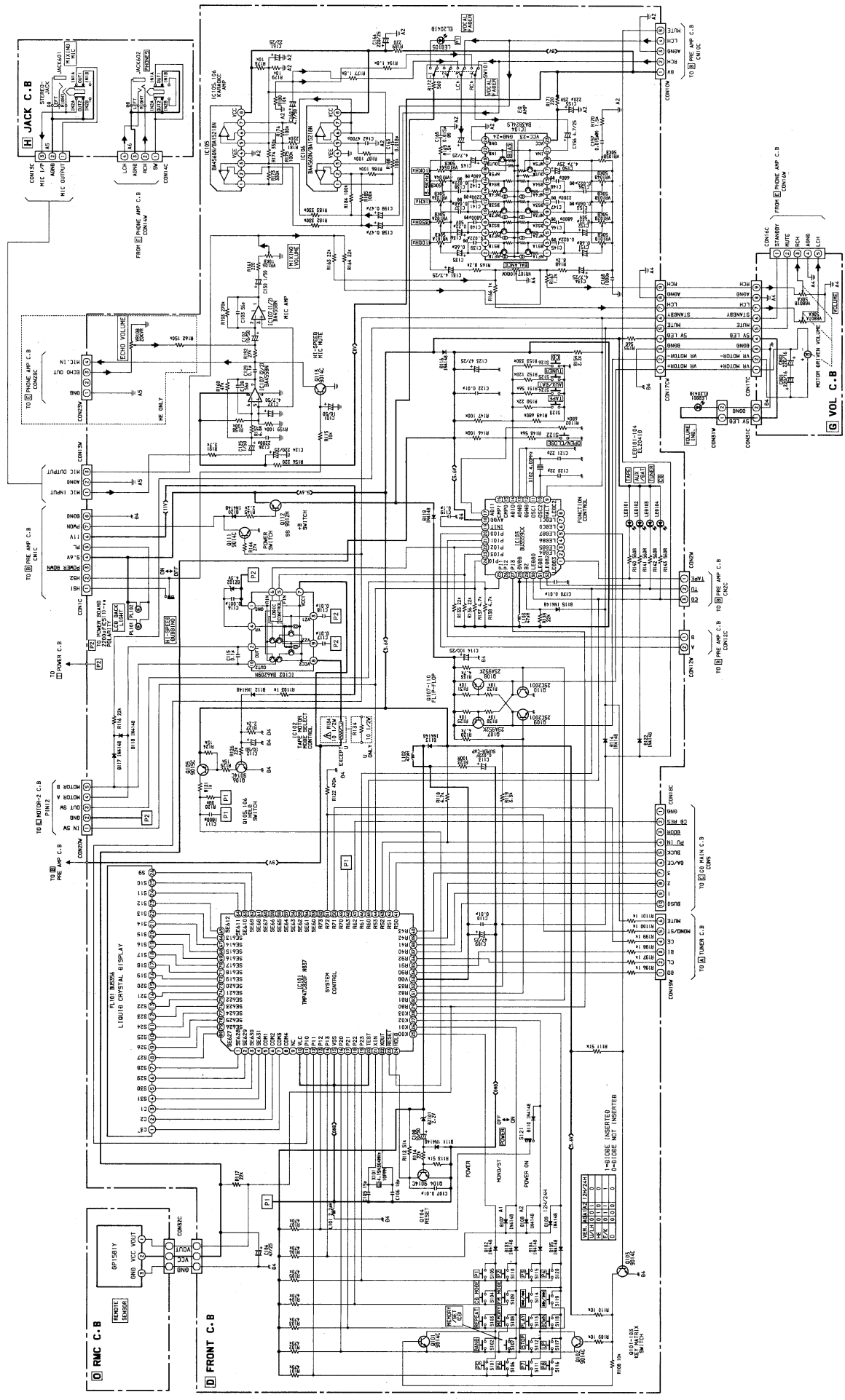
GRAPHIC SYMBOLS PRINTED CIRCUIT BOARD OF ELECT. CAP. ARE DESIGNED AS NEGATIVE POLE. (プリント基板内のメモコンの極性表示は○表示です)

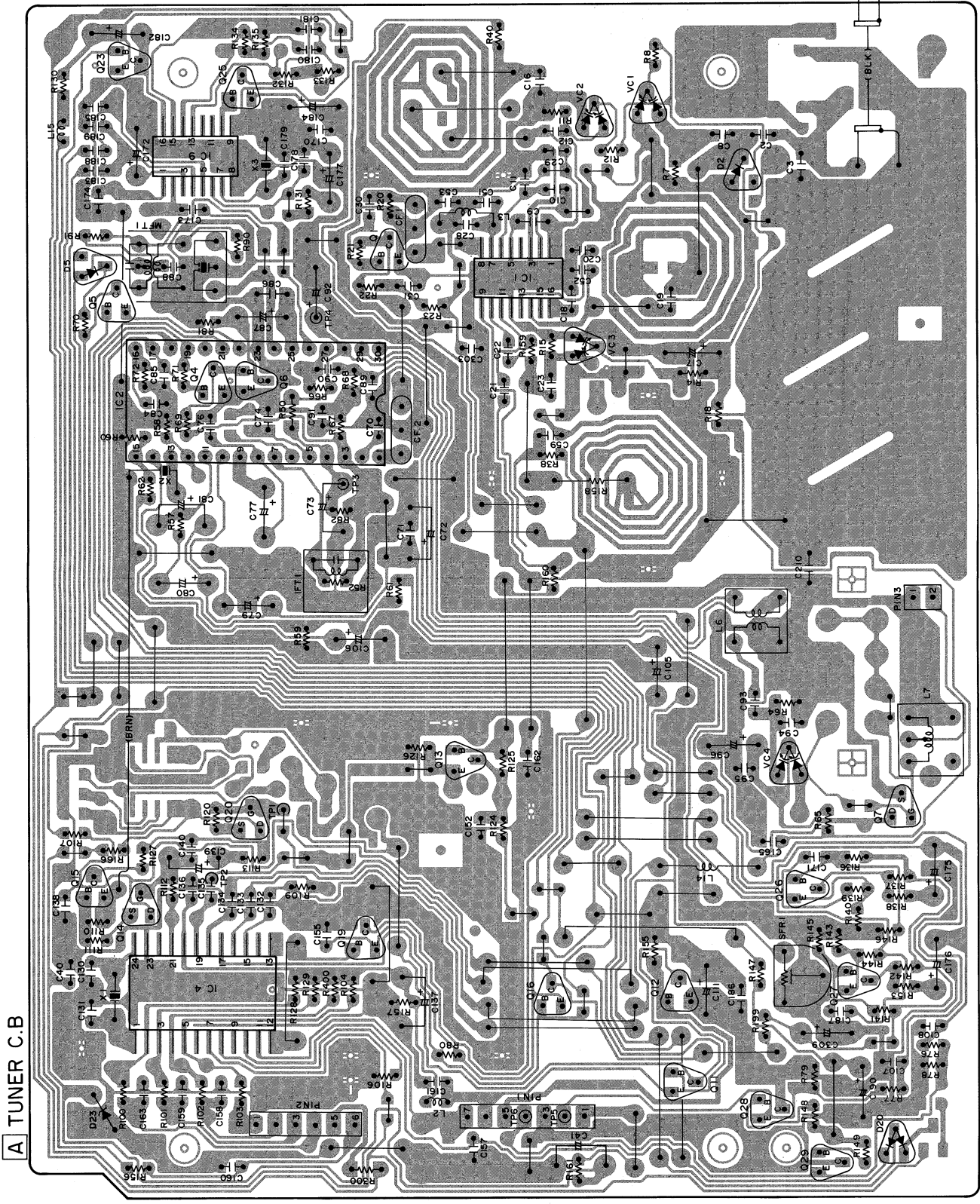






GRAPHIC SYMBOLS PRINTED CIRCUIT BOARD OF ELECT. CAP. ARE DESIGNED AS NEGATIVE POLE.  
 (プリント基板内のケミコンの極性表示は⊖表示です。)





A TUNER C.B

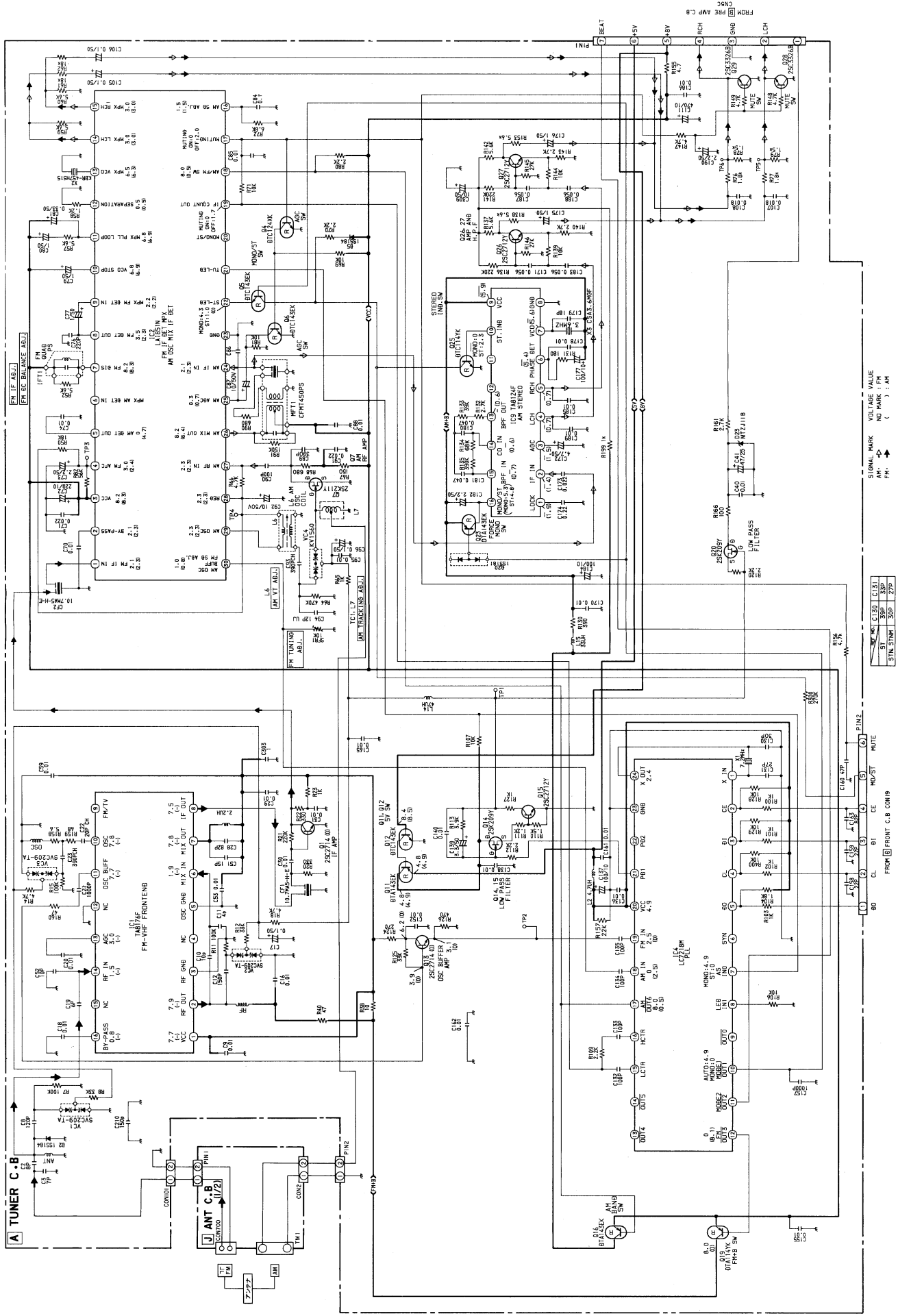
FROM FRONT C.B.  
 9 CON19

FROM AMP C.B.  
 5 CON5

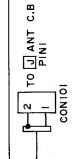
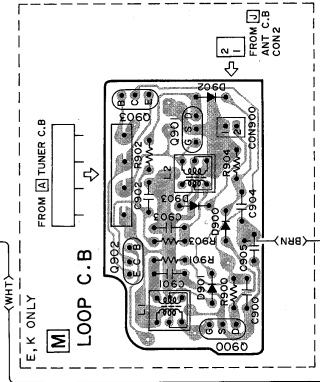
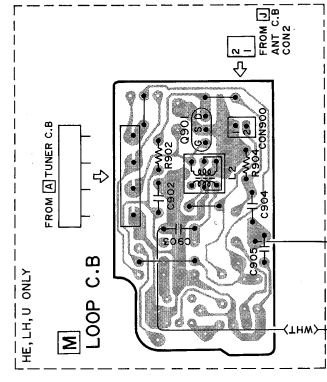
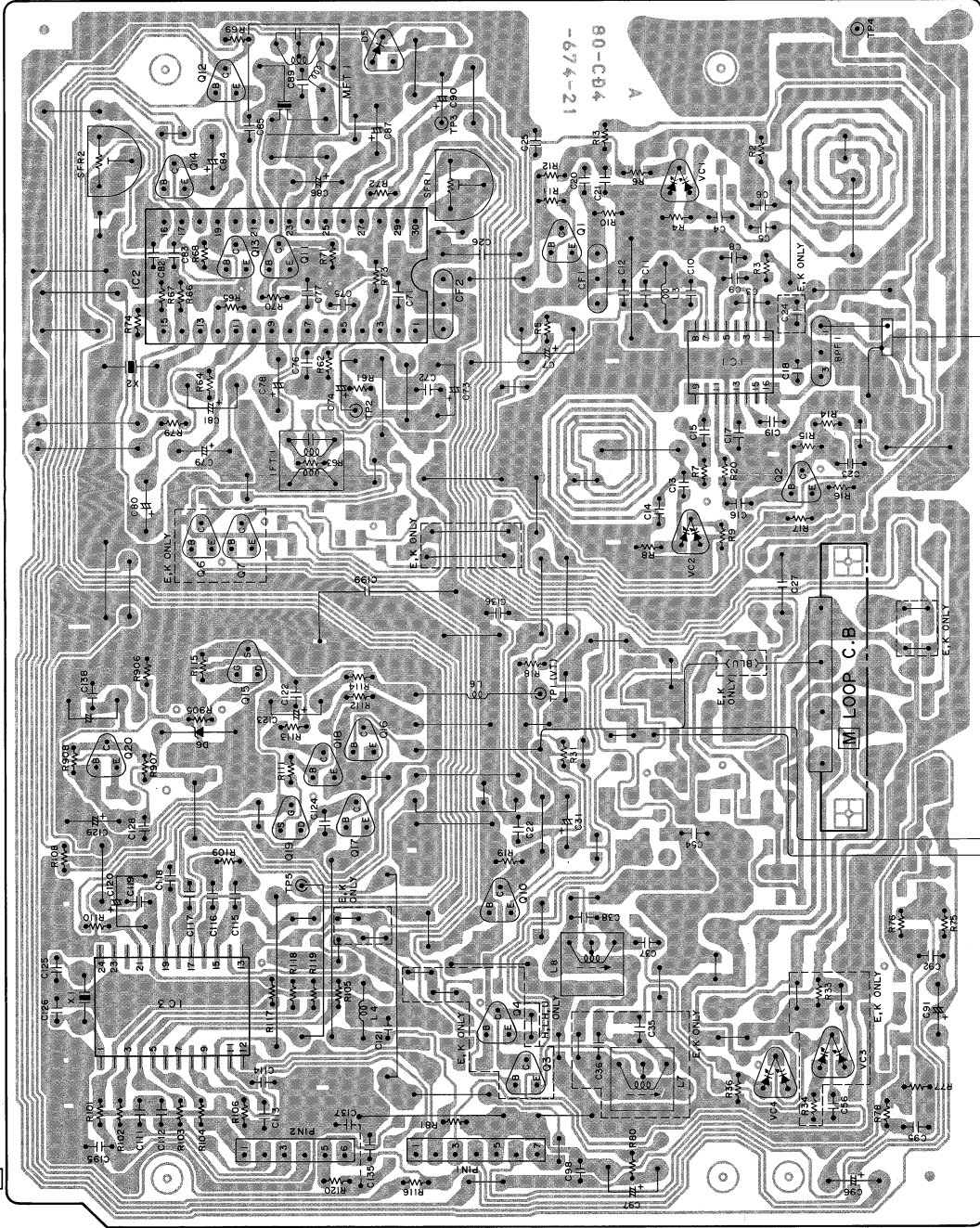
FROM ANT. C.B.  
 2 CON10

GRAPHIC SYMBOLS PRINTED CIRCUIT BOARD OF ELECT. CAP. ARE DESIGNED AS NEGATIVE POLE.  
 (プリント基板内のケミコンの極性表示は○表示です。)

SCHMATIC DIAGRAM - 3 (TUNER : D)

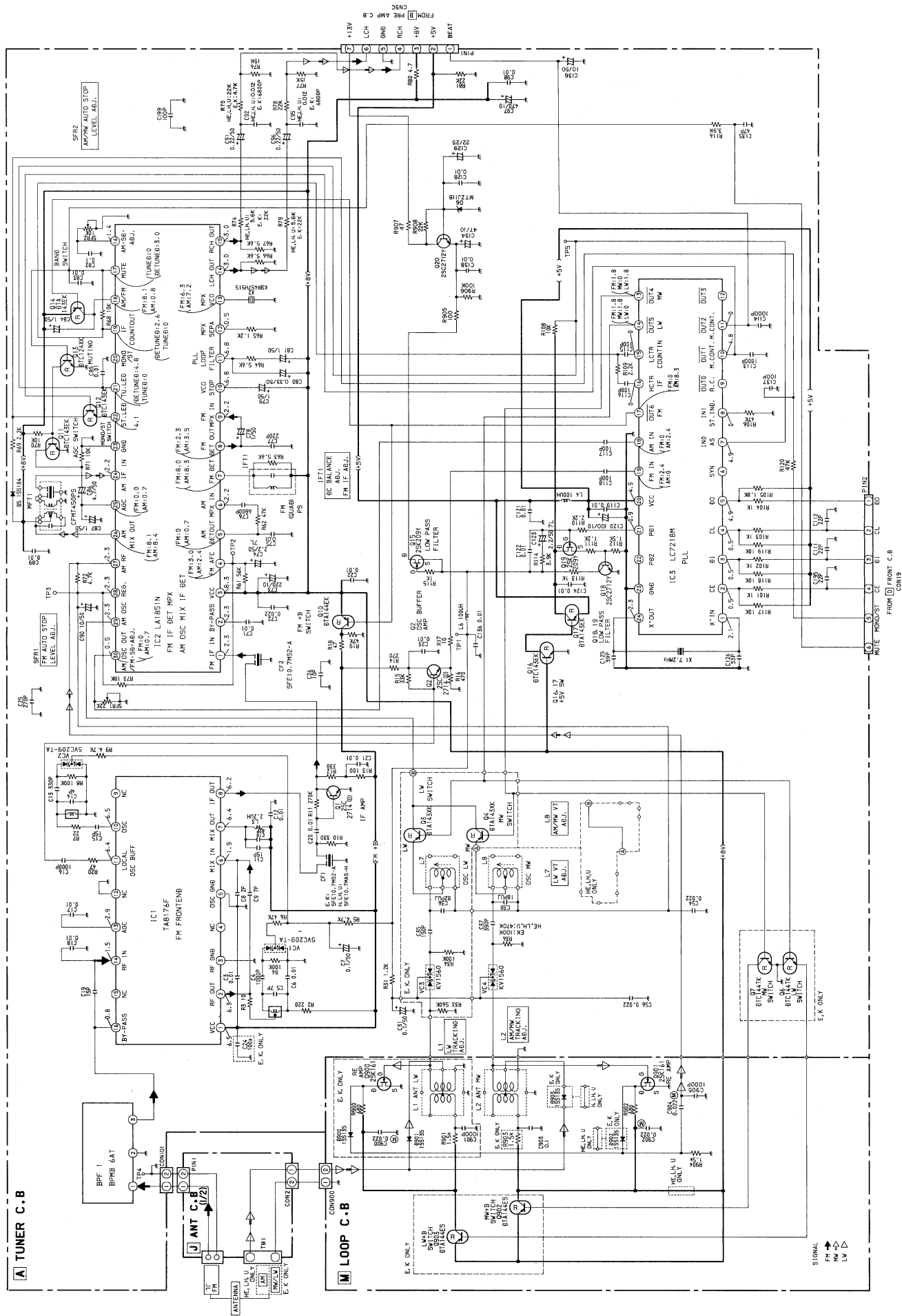


A TUNER C.B.

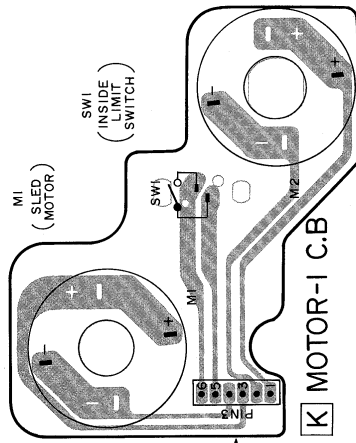


GRAPHIC SYMBOLS PRINTED CIRCUIT BOARD OF ELECT. CAP. ARE DESIGNED AS NEGATIVE POLE (プリント基板内のケミコンの極性表示は○表示です。)

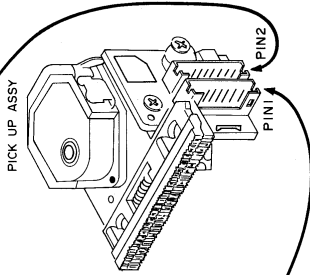
SCHEMATIC DIAGRAM - 4 (TUNER: HE, LH, U, E, K)



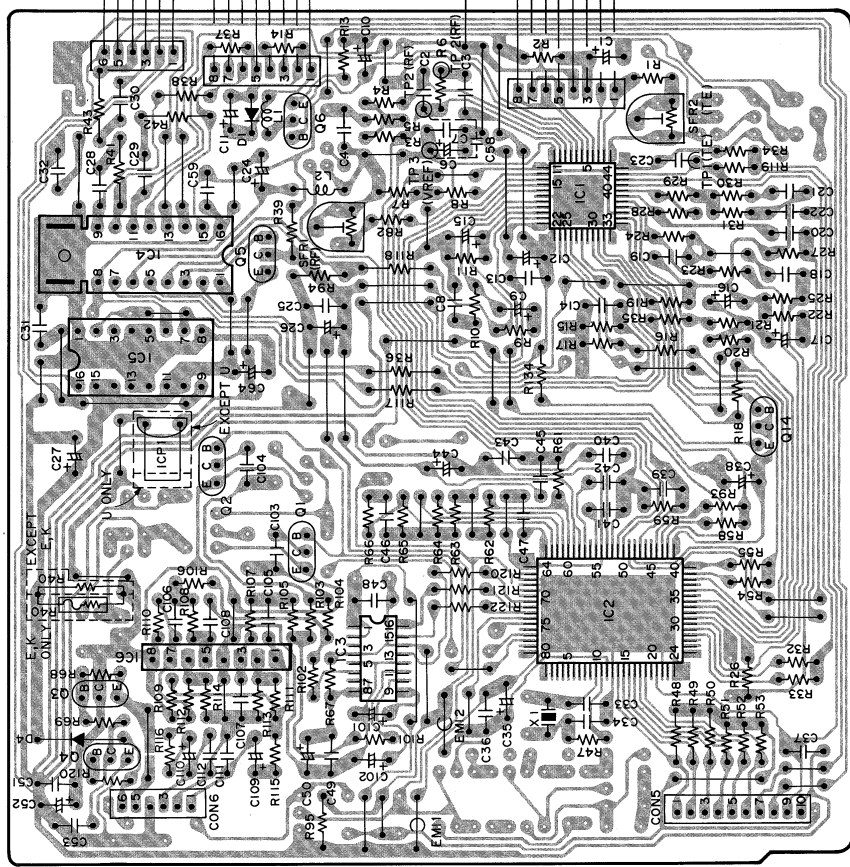
1 2 3 4 5 6 7 8 9 10 11 12 13 14



K MOTOR-1 C.B

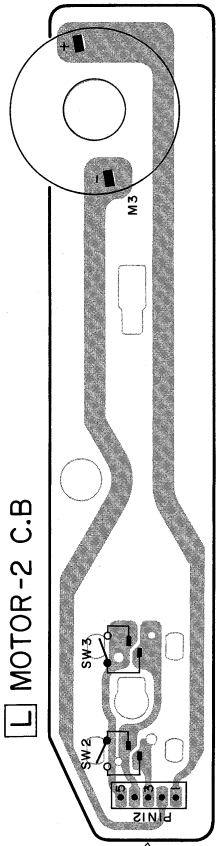


PICK UP ASSY



C) CD MAIN C.B

L MOTOR-2 C.B



M3 (LOADING MOTOR)

SW2 (OPEN) SW3 (CLOSE)

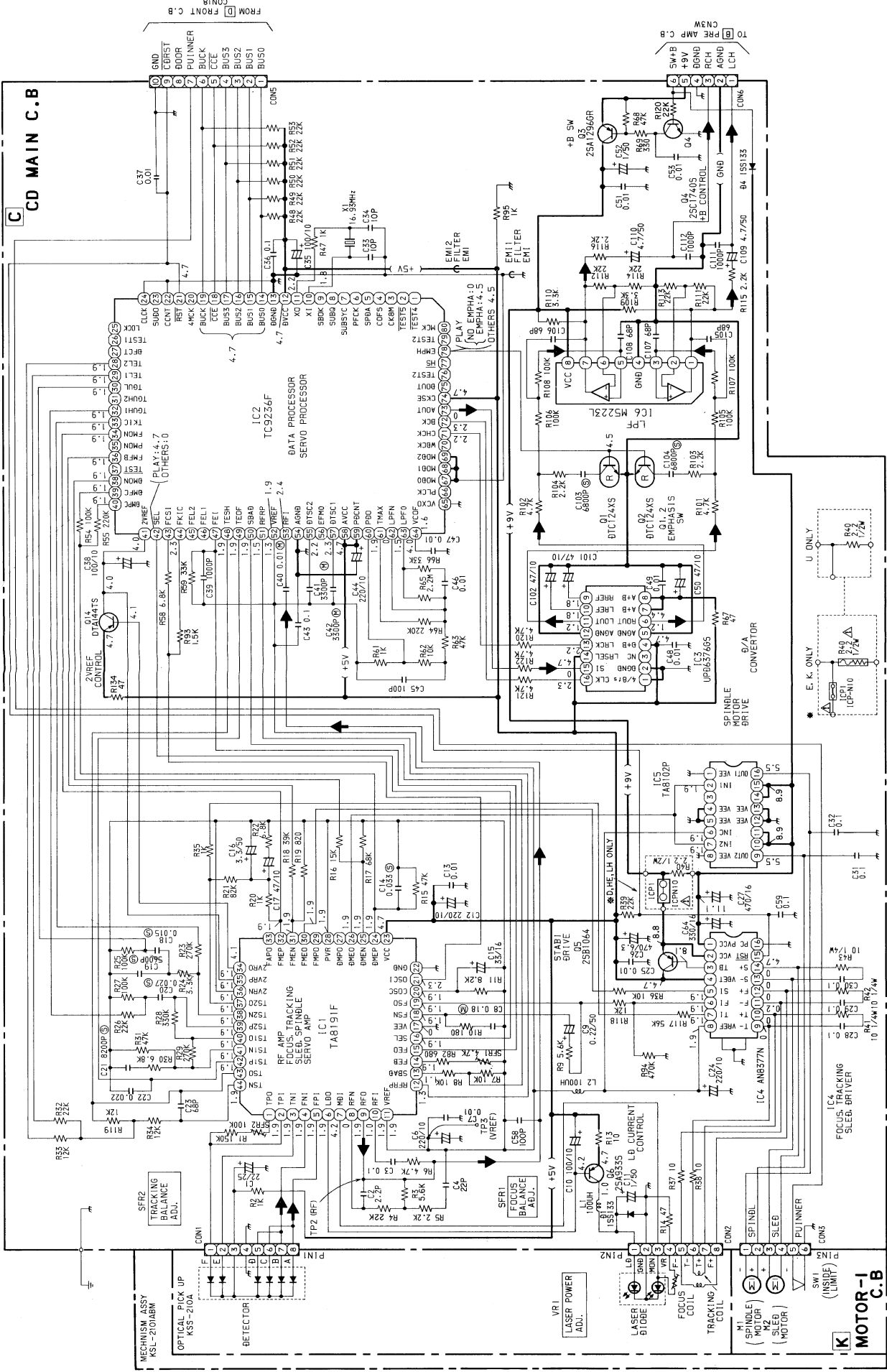
FROM [B] PRE AMP C.B  
 CN3W  
 1 2 3 4 5 6 7 8 9

FROM [D] FRONT C.B  
 CN18  
 1 2 3 4 5 6 7 8 9

FROM [D] FRONT C.B  
 CON20W  
 CN12  
 1 2 3 4 5 6 7 8 9

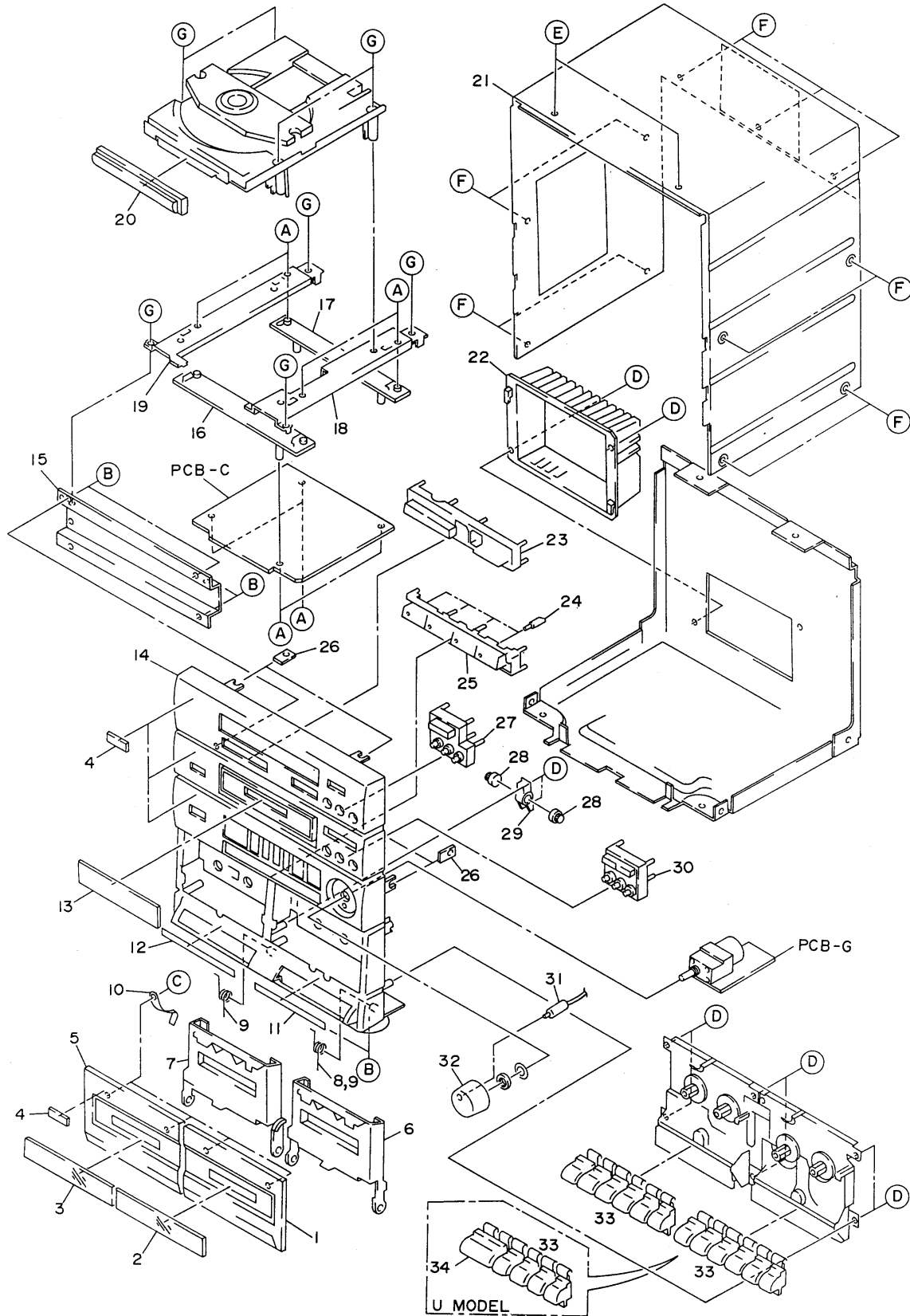
GRAPHIC SYMBOLS PRINTED AS NEGATIVE POLE.  
 ELECT. CAP. ARE DESIGNED AS NEGATIVE POLE.  
 (プリント基板内のケミコンの極性は表示は⊖表示です。)





# EXPLODED VIEW - 1

REF. NO.	PART NO.	DESCRIPTION	REF. NO.	PART NO.	DESCRIPTION	REF. NO.	PART NO.	DESCRIPTION
A	S4-111-130-100	SCREW S/T DIA AB/ZI	D	S4-120-130-100	SCREW S/T PH 3-10	G	S4-190-030-080	SCREW TAPPING N1-PLATED
B	S4-121-530-100	SCREW S/T PWH 3-10	E	S4-190-230-100	SCREW TAPE TYPE CSK/H			
C	S4-120-120-060	SCREW TAP PH 2-6	F	S4-190-030-080	SCREW TAPTITE N1 PLATE			

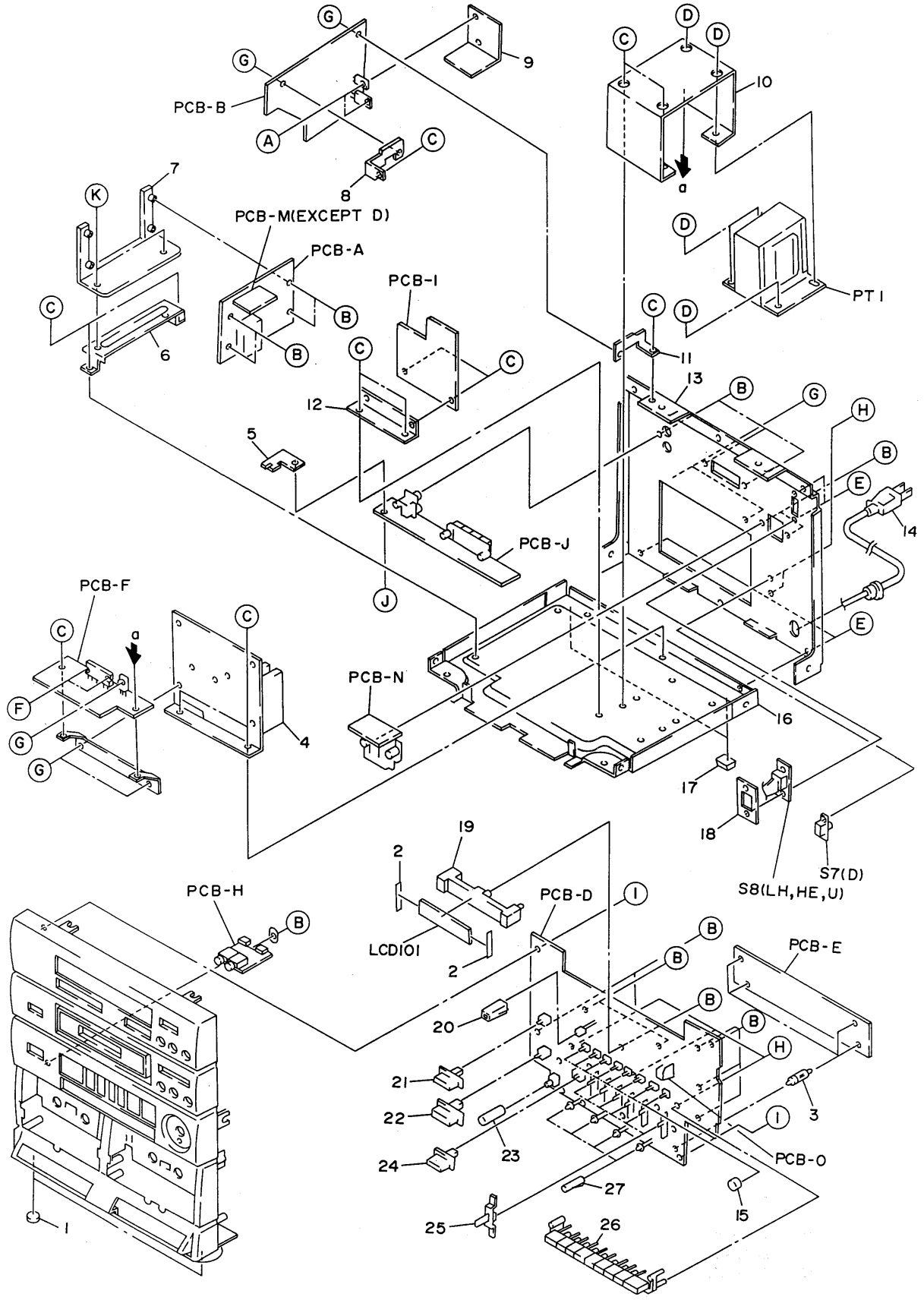


# MECHANICAL PARTS LIST

PART NO. CHANGED TO	REF. NO.	PART NO.	カンリ NO.	DESCRIPTION	COMMON MODEL	Q'TY
	1-1	S7-358-000-190	1B	CASS DOOR COVER B (D)		1
	1-1	S7-358-100-450		CASS DOOR COVER B (EXCEPT D)		1
	1-2	S7-358-000-360	1B	CASS DOOR LENS B		1
	1-3	S7-358-000-170	1B	CASS DOOR LENS A		1
	1-4	S7-358-000-240	OE	LOGO		4
	1-5	S7-358-000-180	1B	CASS DOOR COVER A		1
	1-6	S7-358-000-160	1A	CASS DOOR B (D, HE, U)		1
	1-6	S7-358-100-440		CASS DOOR B (LH, E, K)		1
	1-7	S7-358-000-150	1A	CASS DOOR A		1
	1-8	S4-058-100-130	OE	CASS DOOR SPR B (EXCEPT U)		1
	1-9	S4-058-000-070	OE	CASS DOOR SPR		2
	1-10	S4-058-000-400	OE	CASS TAPE HOLD SPR		4
	1-11	S6-045-810-120	OE	CASS FUNCTION INLAY B (D)		1
	1-11	S6-045-810-030		CASS FUNC INLAY B (LH, HE, E, K)		1
	1-11	S6-045-800-020		CASS FUNC INLAY B (U)		1
	1-12	S6-045-810-130	OE	CASS FUNCTION INLAY A (D)		1
	1-12	S6-045-800-010		CASS FUNC INLAY A (EXCEPT D)		1
	1-13	S7-358-000-040	1C	LCD DISPLAY LENS		1
	1-14	S7-358-106-070	2A	FRONT PANEL (D)		1
	1-14	S7-358-100-071		FRONT PANEL (HE)		1
	1-14	S7-358-100-070		FRONT PANEL (LH, U, E, K)		1
	1-15	S4-058-100-020	1C	CD MOUNT BAR (D)		1
	1-15	S4-058-100-020		CD MOUNTING SUPPORTER (EXCEPT D)		1
	1-16	S7-358-100-190	1A	CD MOUNT BRACKET B		1
	1-17	S7-358-100-180	1A	CD MOUNT BRACKET A		1
	1-18	S4-058-100-070	1C	CD MOUNT BAR R		1
	1-19	S4-058-100-060	1C	CD MOUNT BAR L		1
	1-20	S7-358-000-140	1A	CD DOOR		1
	1-21	S7-358-100-060	2A	TOP CASE REV 1		1
	1-22	---		HEATSINK COVER		1
	1-23	S7-358-000-050	1B	CD CONTROL BUTTON REV 3		1
	1-24	S7-358-100-380	OE	LIGHT GUIDE		4
	1-25	S7-358-000-060	1B	BAND BUTTON		1
	1-26	S4-051-400-070	OE	SCREW PLATE LENGTH 1.5MM		4
	1-27	S7-358-000-080	1A	CD MODE BUTTON		1
	1-28	S7-358-000-230	OE	DAMP GEAR		2
	1-29	S7-358-000-220	OE	DAMP GEAR HOUSING		1
	1-30	S7-358-000-070	1A	FM MODE BUTTON		1
	1-31	S7-358-000-130	OE	VOL KNOB INDICATOR		1
	1-32	S7-358-100-100	OE	VOL KNOB		1
	1-33	S7-358-100-200	OE	CASS BUTTON SMALL (EXCEPT U)		12
	1-33	S7-358-000-210		CASS BUTTON SMALL (U)		10
	1-34	S7-358-000-200		CASS BUTTON LARGE (U)		1

# EXPLODED VIEW - 2

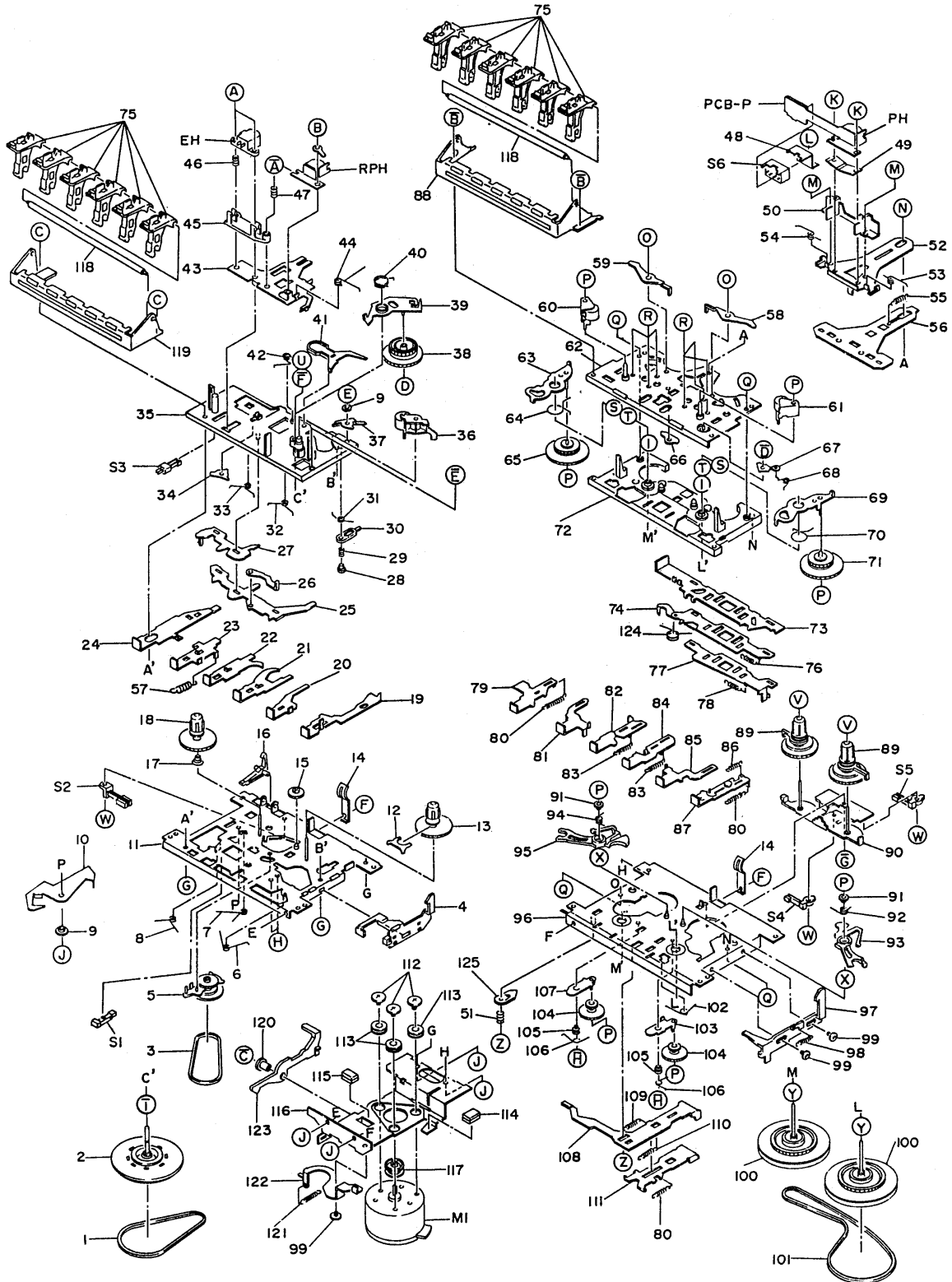
REF. NO.	PART NO.	DESCRIPTION	REF. NO.	PART NO.	DESCRIPTION	REF. NO.	PART NO.	DESCRIPTION
A	S4-110-130-080	SCREW S/T 3-8 P/A	E	S4-190-030-080	SCREW TAPTITE N1 PLATE	I	S4-121-530-100	SCREW S/T PWH 3-10
B	S4-120-130-100	SCREW S/T PH 3-10	F	S4-190-030-100	SCREW HARDENED S/T	J	S4-121-535-100	SCREW S/T PWH DIA5-10
C	S4-190-030-060	TAPPING SCREW N1-	G	S4-190-130-080	SCREW HARDENED M3-8	K	S4-150-030-080	SCREW, MACHINE M3-8
D	S4-190-530-060	TAPPING SCREW M3-6	H	S4-120-120-060	SCREW TAP PH 2-6			



PART NO. CHANGED TO	REF. NO.	PART NO.	カンリ NO.	DESCRIPTION	COMMON MODEL	Q'TY
	2-1	S8-000-400-170	OE	FOOT DIA 12 - 1.6MM		2
	2-2	S8-005-581-090	OE	BLACK FOAM (D)		2
	2-3	---		PCB SPACER		4
	2-4	---		HEATSINK A B		1
	2-5	S4-058-100-190	OE	MOUNT PLATE A		1
	2-6	---		TUNING PCB BRACKET		1
	2-7	---		PCB MOUNTING BRACKET		1
	2-8	S4-058-100-200	OE	MOUNT PLATE B		1
	2-9	---		PRE - AMP PCB HEATSINK		1
	2-10	---		TRANSFORMER SHIELD PLATE		1
	2-11	S4-058-100-210	OE	MOUNT PLATE C		1
	2-12	---		SUPPLY P C B BRACKET		1
	2-13	S4-058-100-050	2P	CABI, REAR (NSX220D) (D, U)		1
	2-13	S4-058-100-052		REAR CABINET (LH, HE)		1
	2-13	S4-058-100-051		REAR CABINET (E, K)		1
	2-14	S5-795-810-05H	1D	AC CORD PLUG D (D)		1
	2-14	S5-795-810-02H		AC CORD 2.5M PLUG E VER (HE, E)		1
	2-14	S5-795-810-03H		AC CORD 2M 2 - 0.75MM (LH)		1
	2-14	S5-795-810-010		AC CORD 2M BLK (U)		1
	2-14	S5-795-810-04M		AC CORD 2.5M 2 - 0.75MM BS6500 PVC K VER (K)		1
	2-15	S7-358-000-420	OE	BAND BUTTON CAP		8
	2-16	S4-058-100-030	2M	BOTTOM CABI		1
	2-17	---		RUBBER PAD SQUARE		2
	2-18	S8-064-581-010		VOL, SELECTOR PLATE (LH, HE, U)		1
	2-19	---		LCD HOLDER (WHITE)		1
	2-20	S7-358-000-370	OE	LED HOLDER		1
	2-21	S7-358-100-090	OE	DUBBING KNOB		1
	2-22	S7-358-100-130	OE	POWER KNOB		1
	2-23	S7-358-100-140	OE	MIC KNOB		1
	2-24	S7-358-100-120	OE	KARAOKE KNOB		1
	2-25	S7-358-100-150	OE	EQ KNOB REV 1		6
	2-26	S7-358-100-160	1B	FUNC BUTTON		1
	2-27	S8-013-581-030	1B	LED SPACER		4

# EXPLODED VIEW - 3 (EXCEPT U)

REF. NO.	PART NO.	DESCRIPTION	REF. NO.	PART NO.	DESCRIPTION	REF. NO.	PART NO.	DESCRIPTION
A	S9-223-000-000	+ - CAP SCREW M2 - 7.5	M	S9-079-000-000	+ TAMS SCREW M2 - 6	Y	S9-889-000-000	P WASHER 2.1 - 3 - 0.3
B	S9-115-000-000	+ BIND SCREW M2 - 3	N	S1-851-040-550	H. P. COLLAR SCREW	Z	S9-876-000-000	P WASHER 2.1 - 5 - 0.5
C	S9-999-140-020	TAP SCREW M2 - 8	O	S1-851-180-120	C ARM COLLAR SCREW	A	S9-922-000-000	SCREW M2 - 7
D	S9-422-000-000	P WASHER 1.2 - 3.8 - 0.3	P	S9-421-000-000	P WASHER 1.2 - 3 - 0.25	B	S9-999-130-020	TAP SCREW M2 - 9
E	S9-999-200-410	PS TAP SCREW M2 - 3	Q	S9-674-000-000	P TAP SCREW M2 - 6	C	S9-182-000-000	TAP SCREW M2 - 6
F	S9-P33-200-320	DEL TITE SCREW 2 x 3	R	S9-C20-178-510	SCREW, TS 1.7 - 8.5	D	S9-502-000-000	E RING S2.0
G	S9-679-000-000	P TAP SCREW M2 - 5	S	S9-999-000-130	P WASHER 1.75 - 4 - 0.3	E	S9-P05-200-610	S TAPPING SCREW 2 - 6
H	S9-999-180-090	C TAP SCREW M2 - 4.5	T	S9-999-030-090	P WASHER 1.45 - 4 - 0.5	F	S9-999-000-030	P WASHER 2.1 x 4 x 0.13
I	S9-786-000-000	P WASHER 2 - 3.5 - 0.3	U	S9-999-030-130	P WASHER 1.45 - 3.8 - 0.5	G	S9-C19-173-030	TSS 1.7 x 3
J	S9-180-000-000	C TAP SCREW M2 - 4	V	S9-888-000-000	P WASHER 1.2 - 3 - 0.4	H	S9-C19-174-030	SCREW, TSS M1.7 - 4
K	S9-999-200-070	SCREW M2 - 4.5	W	S9-181-000-000	+ C TAP SCREW M2 - 5	I	S9-882-000-000	P WASHER 2 x 3.5 x 0.4
L	S9-C19-172-530	TS, S 1.7 x 2.5	X	S9-999-000-090	P WASHER 3 - 8.5 - 0.13			



PART NO. CHANGED TO	REF. NO.	PART NO.	カンリ NO.	DESCRIPTION	COMMON MODEL	Q'TY
	3-1	S1-821-121-730	1C	MAIN BELT		1
	3-2	S1-921-093-050	1F	FLYWHEEL ASSY		1
	3-3	S1-821-070-110	1C	RF BELT		1
	3-4	S1-921-130-020	OE	EJECT SLIDE LEVER		1
	3-5	S1-921-073-080	1F	RF CLUTCH ASSY		1
	3-6	S1-921-140-160	OE	E ACTUATOR SPRING		1
	3-7	S1-921-140-210	OE	REC BUTTON LEVER SPR		1
	3-8	S1-921-140-170	OE	P. S. LEVER SPRING		1
	3-9	S1-921-140-370	OE	P ARM COLLAR		2
	3-10	S1-921-020-010	OE	REC ARM		1
	3-11	S1-921-015-010	1D	CHASSIS ASSY		1
	3-12	S1-921-050-060	OE	SENSOR		1
	3-13	S1-921-053-030	1F	TAKE UP REEL ASSY		1
	3-14	S1-829-100-060	OE	PACK SPRING		2
	3-15	S1-821-100-700	OE	FF GEAR		1
	3-16	S1-821-100-690	OE	RECORD SAFETY LEVER		1
	3-17	S1-821-100-990	OE	BACK TENSION SPRING		1
	3-18	S1-921-053-040	1E	SUPPLY REEL ASSY		1
	3-19	S1-921-140-610	OE	PAUSE BUTTON LEVER		1
	3-20	S1-921-140-660	OE	STOP BUTTON LEVER		1
	3-21	S1-921-140-250	OE	FF BUTTON LEVER		1
	3-22	S1-921-140-240	OE	REW BUTTON LEVER		1
	3-23	S1-921-140-230	OE	PLAY BUTON LEVER		1
	3-24	S1-921-140-220	OE	REC BUTTON LEVER		1
	3-25	S1-921-140-080	OE	PUSH BUTTON ACTUATOR		1
	3-26	S1-921-140-640	OE	E KICK LEVER		1
	3-27	S1-921-140-090	OE	SWITCH ACTUATOR		1
	3-28	S1-921-140-110	OE	PAUSE STOPPER		1
	3-29	S1-921-140-120	OE	PAUSE LEVER SPRING		1
	3-30	S1-921-140-550	OE	PAUSE LEVER (E)		1
	3-31	S1-921-141-3A0	OE	P CONTROL SPRING		1
	3-32	S1-921-140-150	OE	BUTTON LEVER SPRING (B)		1
	3-33	S1-921-140-140	OE	BUTTON LEVER SPRING (A)		1
	3-34	S1-921-140-200	OE	PR STOPPER		1
	3-35	S1-921-143-180	1C	BASE ASSY		1
	3-36	S1-921-043-100	1C	PINCH ROLLER ARM ASSY		1
	3-37	S1-921-140-340	1A	P ARM		1
	3-38	S1-921-260-020	OE	CAM GEAR		1
	3-39	S1-921-265-020	1B	GEAR PLATE ASSY		1
	3-40	S1-921-260-050	OE	GEAR PLATE SPRING		1
	3-41	S1-921-260-4A0	OE	SENSING LEVER		1
	3-42	S1-921-141-8A0	OE	M CONTROL SPRING		1
	3-43	S1-921-030-140	1A	HEAD PANEL		1
	3-44	S1-921-030-090	OE	PANEL P SPRING		1
	3-45	S1-921-030-060	OE	HEAD BASE		1
	3-46	S1-821-030-080	OE	E. H. SPRING		1
	3-47	S1-821-030-070	OE	AZIMUTH SPRING		1
	3-48	S1-851-160-010	OE	SWITCH BRACKET		1
	3-49	S1-851-040-050	OE	HEAD SPRING PLATE		1
	3-50	S1-851-040-520	OE	TAPE GUIDE		1
	3-51	S1-821-010-160	OE	PAUSE LEVER SPR		1
	3-52	S1-851-040-010	1A	HEAD PANEL		1
	3-53	S1-851-040-060	OE	PINCH ROLLER SPRING (F)		1
	3-54	S1-851-040-070	OE	PINCH ROLLER SPR (R)		1
	3-55	S1-851-040-090	OE	R. C. PLATE SPRING		1
	3-56	S1-851-040-020	OE	R. C. PLATE		1
	3-57	S1-821-010-500	OE	PLAY BUTTON SPR (S)		1
	3-58	S1-851-180-050	OE	AUTO CONTROL ARM (F)		1
	3-59	S1-851-180-060	OE	AUTO CONTROL ARM (R)		1
	3-60	S1-851-105-040	1D	PINCH ROLLAR (R) ASSY		1
	3-61	S1-851-095-040	1D	PINCH ROLLER (F) ASSY		1
	3-62	S1-851-183-050	2A	SUB CHASSIS ASSY		1
	3-63	S1-851-063-020	OE	T GEAR ARM ASSY (R) ASSY		1

PART NO. CHANGED TO	REF. NO.	PART NO.	カンリ NO.	DESCRIPTION	COMMON MODEL	Q'TY
	3-64	S1-851-060-030	OE	T GEAR ARM (R) SPR		1
	3-65	S1-851-060-020	OE	T GEAR ARM (R)		1
	3-66	S1-851-180-040	OE	RC ARM		1
	3-67	S1-851-030-010	OE	TURN OVER ARM		1
	3-68	S1-851-030-020	OE	TURN OVER SPR		1
	3-69	S1-851-053-020	OE	T GEAR ARM (F) ASSY		1
	3-70	S1-851-050-040	OE	T GEAR ARM (F) SPR		1
	3-71	S1-851-050-030	OE	T GEAR ARM (F)		1
	3-72	S1-851-025-010	1C	BUTTON BASE ASSY		1
	3-73	S1-851-020-400	1B	SLIDE PLATE (M)		1
	3-74	S1-851-023-010	1B	LOCK ACTUATOR		1
	3-75	S1-821-310-070	OE	OPERATION LEVER		12
	3-76	S1-851-020-250	OE	LOCK ACTUATOR SPR		1
	3-77	S1-851-023-020	1B	SW ACTUATOR ASSY		1
	3-78	S1-851-020-260	OE	SW ACTUATOR SPR		1
	3-79	S1-851-023-090	1B	MODE BUTTON LEVER ASSY		1
	3-80	S1-851-020-220	OE	PROG BUTTON LEVER SPRING		3
	3-81	S1-851-020-320	OE	PLAY BUTTON LEVER		1
	3-82	S1-851-020-350	OE	FF BUTTON LEVER (R)		1
	3-83	S1-851-020-240	OE	FF BUTTON LEVER SPRING		2
	3-84	S1-851-020-340	OE	FF BUTTON LEVER (F)		1
	3-85	S1-851-020-310	OE	STOP BUTTON LEVER		1
	3-86	S1-851-020-270	OE	PULL ARM SPRING		1
	3-87	S1-851-023-040	1B	PROG BUTTON LEVER ASSY		1
	3-88	S1-851-310-010	1B	BUTTON FLAME (S)		1
	3-89	S1-851-115-010	1H	REEL ASSY		2
	3-90	S1-851-113-010	1D	REEL PLATE ASSY		1
	3-91	S1-851-200-050	OE	SPRING STOPPER		2
	3-92	S1-851-200-030	OE	AUTO LEVER (R) SPR		1
	3-93	S1-851-200-010	OE	AUTO LEVER (F)		1
	3-94	S1-851-200-040	OE	AUTO LEVER (F) SPR		1
	3-95	S1-851-200-020	OE	AUTO LEVER (R)		1
	3-96	S1-851-013-010	1D	CHASSIS ASSY		1
	3-97	S1-851-170-030	OE	EJECT SLIDE LEVER		1
	3-98	S1-851-170-020	OE	EJECT SLIDE LEVER SPR		1
	3-99	S1-821-120-230	OE	P. K. COLLAR SCREW (A)		3
	3-100	S1-851-125-050	1F	FLYWHEEL ASSY		2
	3-101	S1-821-120-430	1C	MAIN BELT		1
	3-102	S1-851-020-210	OE	STOP BUTTON LEVER SPR		1
	3-103	S1-851-073-010	1B	FF GEAR ARM (F) ASSY		1
	3-104	S1-851-070-030	OE	FF GEAR		2
	3-105	S1-851-070-050	OE	FF GEAR ARM COLLAR		2
	3-106	S1-851-070-040	OE	FF GEAR ARM SPR (F)		2
	3-107	S1-851-083-010	1B	FF GEAR ARM (R) ASSY		1
	3-108	S1-851-040-080	OE	RELEASE PLATE		1
	3-109	S1-851-020-420	OE	BUTTON LEVER SPR (P)		1
	3-110	S1-851-040-100	OE	R. C. SPRING		1
	3-111	S1-851-160-020	OE	FF SW PLATE		1
	3-112	S1-851-140-180	OE	MOTOR COLLAR SCREW		3
	3-113	S1-821-120-660	OE	MOTOR RUBBER		3
	3-114	---		ANTI - VIBRATION FELT MAT		1
	3-115	---		ANTI - VIBRATION FELT MAT		1
	3-116	S1-851-140-070	1B	MOTOR BRACKET		1
	3-117	S1-851-140-300	OE	MOTOR PULLEY		1
	3-118	S1-829-310-030	OE	BUTTON LEVER SHAFT		2
	3-119	S1-821-310-060	1B	BUTTON FLAME (S)		1
	3-120	S1-821-120-650	OE	COLLAR SCREW (B)		1
	3-121	S1-851-140-040	OE	P KICK LEVER SPR		1
	3-122	S1-851-140-060	1B	P KICK LEVER (A)		1
	3-123	S1-821-120-250	1B	P KICK LEVER (B)		1
	3-124	S1-851-020-200	OE	LOCK RELEASE SPR		1
	3-125	S1-821-010-150	1B	PAUSE LEVER		1

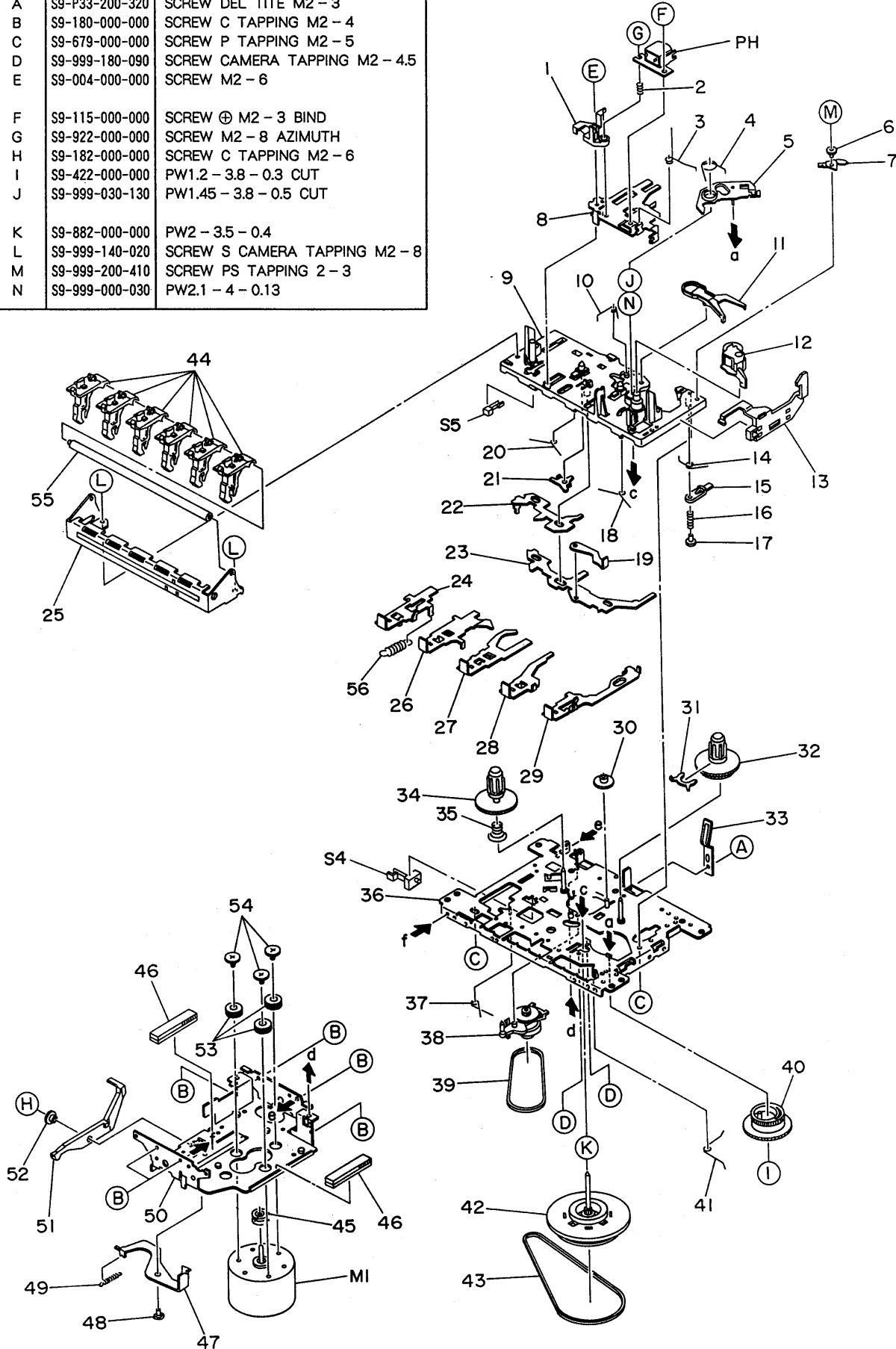




PART NO. CHANGED TO	REF. NO.	PART NO.	DESCRIPTION	COMMON MODEL	Q'TY
	4-1	S1-821-310-070	LEVER, OPERATION		6
	4-2	S1-921-030-090	P - SPRING, PANEL		1
	4-3	S1-921-260-050	SPRING, GEAR PLATE		1
	4-4	S1-921-265-020	GEAR PLATE ASSY		1
	4-5	S1-921-043-100	PINCH ROLLER ARM ASSY		1
	4-6	S1-921-140-370	COLLAR, P ARM		2
	4-7	S1-921-140-340	ARM, P		1
	4-8	S1-829-310-030	SHAFT, BUTTON LEVER		1
	4-9	S1-921-030-060	BASE, HEAD		1
	4-10	S1-921-030-140	PANEL, HEAD		1
	4-11	S1-921-141-8A0	M - SPRING, CONTROL		1
	4-12	S1-821-030-070	SPRING, AZIMUTH		1
	4-13	S1-921-143-180	BASE ASSY		1
	4-14	S1-921-260-4A0	LEVER, SENSING		1
	4-15	S1-921-130-020	LEVER, EJECT SLIDE		1
	4-16	S1-921-141-3A0	P - SPRING, CONTROL		1
	4-17	S1-921-140-550	LEVER, PAUSE E		1
	4-18	S1-921-140-120	SPRING, PAUSE LEVER		1
	4-19	S1-921-140-110	STOPPER, PAUSE		1
	4-20	S1-921-140-150	SPRING, BUTTON LEVER B		1
	4-21	S1-921-140-140	SPRING, BUTTON LEVER A		1
	4-22	S1-921-140-200	STOPPER, PR		1
	4-23	S1-921-140-090	ACTUATOR, SWITCH		1
	4-24	S1-921-140-640	LEVER, E KICK		1
	4-25	S1-921-140-080	ACTUATOR, PUSH BUTTON		1
	4-26	S1-921-050-060	SENSOR		1
	4-27	S1-921-053-030	TAKE UP REEL ASSY		1
	4-28	S1-921-140-220	LEVER, REC BUTTON		1
	4-29	S1-821-030-080	SPRING, EH		1
	4-30	S1-921-140-230	LEVER, PLAY BUTTON		1
	4-31	S1-921-020-010	ARM, REC		1
	4-32	S1-921-140-240	LEVER, REW BUTTON		1
	4-33	S1-921-140-250	LEVER, FF BUTTON		1
	4-34	S1-921-140-660	LEVER, STOP BUTTON		1
	4-35	S1-921-140-610	LEVER, PAUSE BUTTON		1
	4-36	S1-821-100-700	GEAR, FF		1
	4-37	S1-829-100-010	SPRING, PACK		1
	4-38	S1-821-100-690	LEVER, REC SAFETY		1
	4-39	---	CHASSIS ASSY		1
	4-40	S1-921-260-020	GEAR, CAM		1
	4-41	S1-921-140-160	E - SPRING, ACTUATOR		1
	4-42	S1-921-090-240	BELT, MAIN		1
	4-43	S1-921-093-110	FLYWHEEL ASSY		1
	4-44	S1-821-070-110	BELT, RF		1
	4-45	S1-921-073-080	RF CLUTCH ASSY		1
	4-46	S1-921-140-170	SPRING, PS LEVER		1
	4-47	S1-921-140-210	SPRING, REC BUTTON LEVER		1
	4-48	S1-821-100-990	SPRING, BACK TENSION		1
	4-49	S1-921-053-040	SUPPLY REEL ASSY		1
	4-50	S1-921-310-020	FRAME, BUTTON S		1
	4-51	S1-821-010-500	SPRING, PLAY BUTTON LEVER		1

# EXPLODED VIEW - 5 (U MODEL)

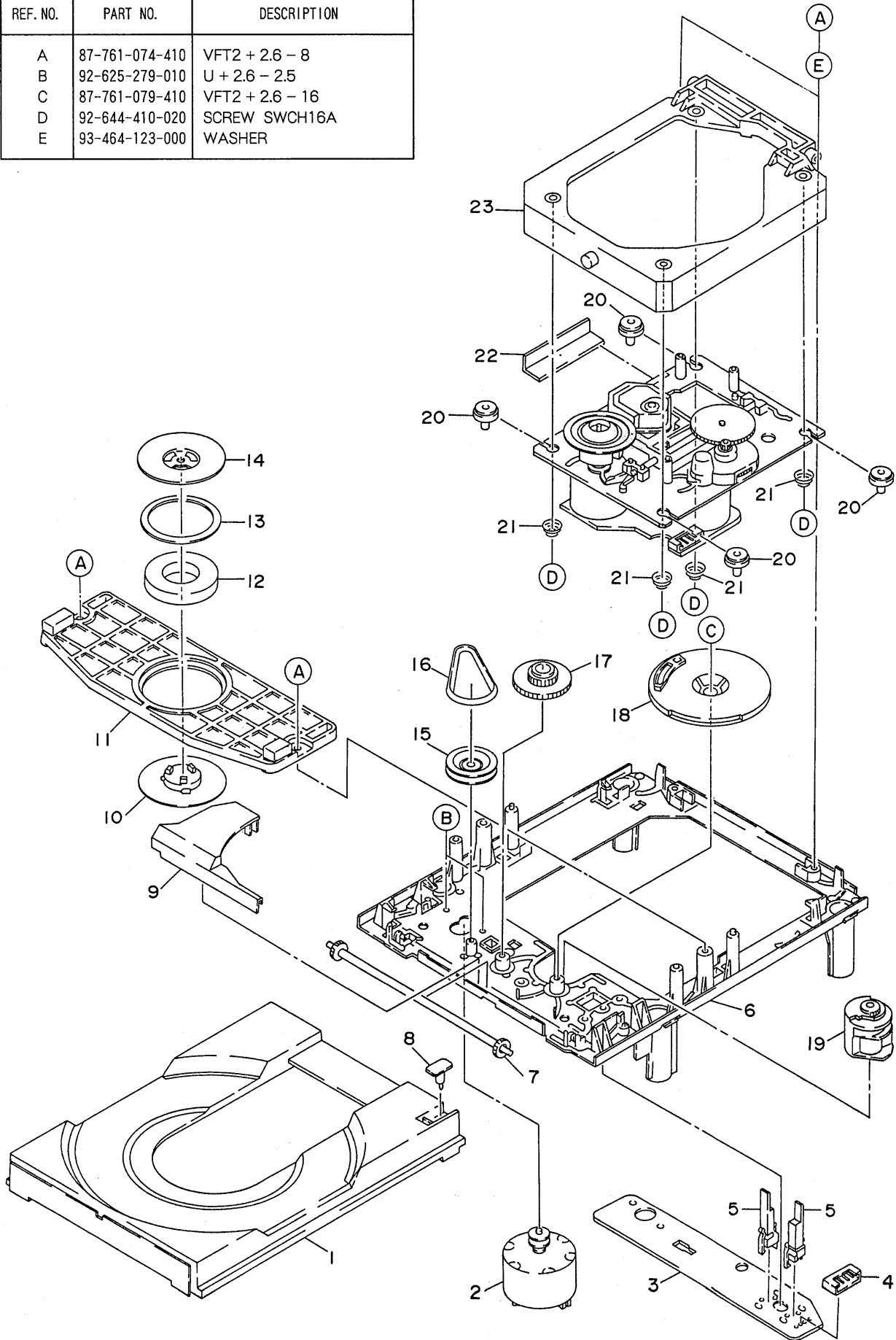
REF. NO.	PART NO.	DESCRIPTION
A	S9-P33-200-320	SCREW DEL TITE M2 - 3
B	S9-180-000-000	SCREW C TAPPING M2 - 4
C	S9-679-000-000	SCREW P TAPPING M2 - 5
D	S9-999-180-090	SCREW CAMERA TAPPING M2 - 4.5
E	S9-004-000-000	SCREW M2 - 6
F	S9-115-000-000	SCREW ⊕ M2 - 3 BIND
G	S9-922-000-000	SCREW M2 - 8 AZIMUTH
H	S9-182-000-000	SCREW C TAPPING M2 - 6
I	S9-422-000-000	PW1.2 - 3.8 - 0.3 CUT
J	S9-999-030-130	PW1.45 - 3.8 - 0.5 CUT
K	S9-882-000-000	PW2 - 3.5 - 0.4
L	S9-999-140-020	SCREW S CAMERA TAPPING M2 - 8
M	S9-999-200-410	SCREW PS TAPPING 2 - 3
N	S9-999-000-030	PW2.1 - 4 - 0.13



PART NO. CHANGED TO	REF. NO.	PART NO.	DESCRIPTION	COMMON MODEL	Q'TY
	5-1	S1-921-030-4A0	BASE, HEAD		1
	5-2	S1-821-030-070	SPRING, AZIMUTH		1
	5-3	S1-921-030-090	P - SPRING, PANEL		1
	5-4	S1-921-260-050	SPRING, GEAR PLATE		1
	5-5	S1-921-265-020	GEAR PLATE ASSY		1
	5-6	S1-921-140-370	COLLAR, P ARM		1
	5-7	S1-921-140-340	ARM, P		1
	5-8	S1-921-030-110	PANEL, HEAD		1
	5-9	S1-921-143-170	BASE ASSY		1
	5-10	S1-921-141-8A0	M - SPRING, CONTROL		1
	5-11	S1-921-260-4A0	LEVER, SENSING		1
	5-12	S1-921-043-100	PINCH ROLLER ARM ASSY		1
	5-13	S1-921-130-020	LEVER, EJECT SLIDE		1
	5-14	S1-921-141-3A0	P - SPRING, CONTROL		1
	5-15	S1-921-140-550	LEVER, PAUSE E		1
	5-16	S1-921-140-120	SPRING, PAUSE LEVER		1
	5-17	S1-921-140-110	STOPPER, PAUSE		1
	5-18	S1-921-140-150	SPRING, BUTTON LEVER B		1
	5-19	S1-821-011-590	LEVER, E KICK		1
	5-20	S1-921-140-140	SPRING, BUTTON LEVER A		1
	5-21	S1-921-140-200	STOPPER, PR		1
	5-22	S1-921-140-090	ACTUATOR, SWITCH		1
	5-23	S1-921-140-080	ACTUATOR, PUSH BUTTON		1
	5-24	S1-921-140-230	LEVER, PLAY BUTTON		1
	5-25	S1-921-310-020	FRAME, BUTTON S		1
	5-26	S1-921-140-240	LEVER, REW BUTTON		1
	5-27	S1-921-140-250	LEVER, FF BUTTON		1
	5-28	S1-921-140-260	LEVER, STOP BUTTON		1
	5-29	S1-921-140-610	LEVER, PAUSE BUTTON		1
	5-30	S1-821-100-700	GEAR, FF		1
	5-31	S1-921-050-060	SENSOR		1
	5-32	S1-921-053-030	TAKE UP REEL ASSY		1
	5-33	S1-829-100-010	SPRING, PACK		1
	5-34	S1-921-053-040	SUPPLY REEL ASSY		1
	5-35	S1-821-100-990	SPRING, BACK TENSION		1
	5-36	---	CHASSIS ASSY		1
	5-37	S1-921-140-170	SPRING, PS LEVER		1
	5-38	S1-921-073-080	RF CLUTCH ASSY		1
	5-39	S1-821-070-110	BELT, RF		1
	5-40	S1-921-260-020	GEAR, CAM		1
	5-41	S1-921-140-160	E - SPRING, ACTUATOR		1
	5-42	S1-921-093-050	FLYWHEEL ASSY		1
	5-43	S1-921-090-240	BELT, MAIN		1
	5-44	S1-821-310-070	LEVER, OPERATION		6
	5-45	S1-921-120-130	PULLEY, MOTOR		1
	5-46	---	MAT, FELT		2
	5-47	S1-821-120-680	LEVER, P KICK A		1
	5-48	S1-821-120-230	SCREW, PK COLLAR A		1
	5-49	S1-821-120-250	P - SPRING, KICK LEVER		1
	5-50	S1-921-120-110	BRACKET, MOTOR		1
	5-51	S1-921-120-090	LEVER, P KICK B		1
	5-52	S1-821-120-650	COLLAR, B		1
	5-53	S1-820-130-060	RUBBER, MOTOR		3
	5-54	S1-821-120-020	SCREW, MOTOR COLLAR		3
	5-55	S1-829-310-030	SHAFT, BUTTON LEVER		1
	5-56	S1-821-010-500	SPRING, PLAY BUTTON LEVER		1

EXPLODED VIEW - 6

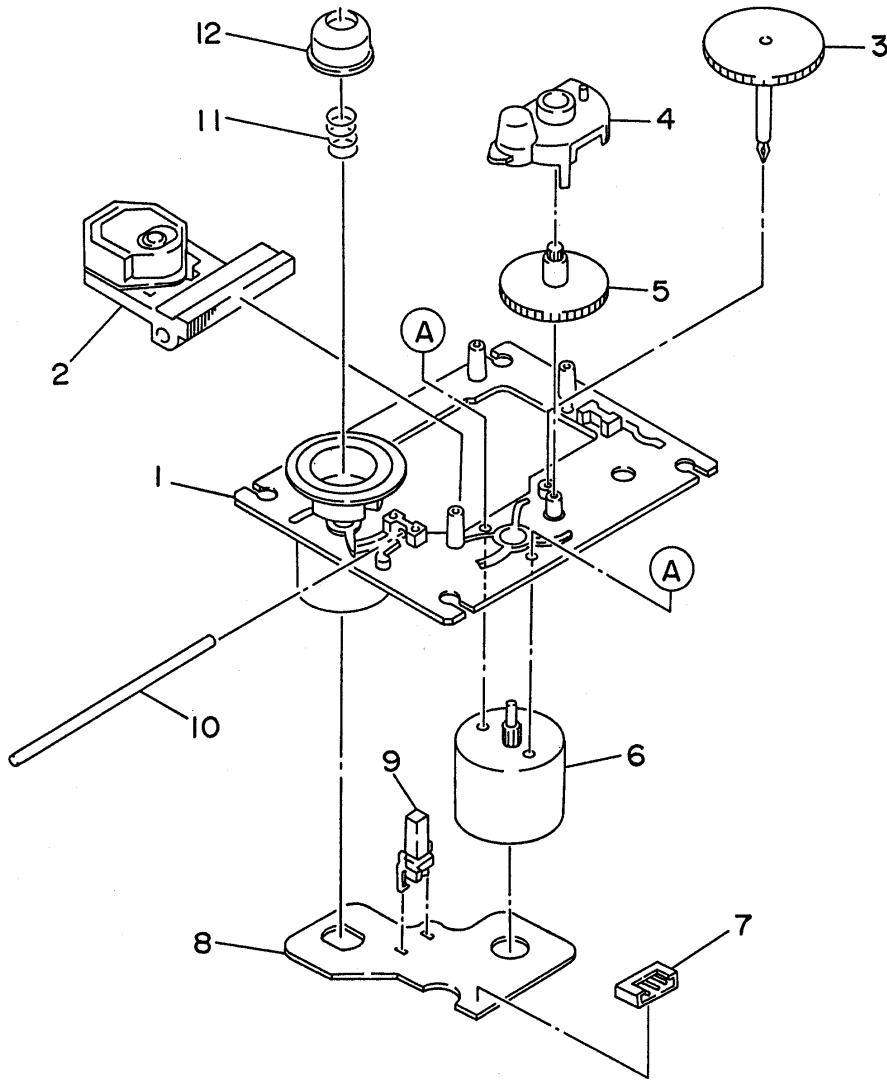
REF. NO.	PART NO.	DESCRIPTION
A	87-761-074-410	VFT2 + 2.6 - 8
B	92-625-279-010	U + 2.6 - 2.5
C	87-761-079-410	VFT2 + 2.6 - 16
D	92-644-410-020	SCREW SWCH16A
E	93-464-123-000	WASHER



PART NO. CHANGED TO	REF. NO.	PART NO.	カンリ NO.	DESCRIPTION	COMMON MODEL	Q'TY
	6-1	92-625-288-040	1F	TRAY		1
	6-2	9X-262-511-710	2M	LOADING MOTOR ASSY		1
	6-3	---		PWB, LOADING		1
	6-4	91-564-721-110	1B	CONNECTOR 5P		1
	6-5	91-572-086-110	1B	SWITCH, LEAF		2
	6-6	---		CHASSIS, MAIN		1
	6-7	92-625-275-030	1C	GEAR, TRAY		1
	6-8	---		SW PIN		1
	6-9	92-625-282-020	1B	COVER, GEAR		1
	6-10	92-625-286-030	1B	PULLEY, CHUCKING		1
	6-11	92-625-284-040	—	PLATE, CHUCKING		1
	6-12	91-452-493-210	1D	MAGNET		1
	6-13	92-625-541-010	—	DAMPER		1
	6-14	92-625-277-010	1B	YOKE, CHUCK		1
	6-15	92-625-276-010	—	PULLEY, LOADING		1
	6-16	93-653-387-000	1D	BELT, LM		1
	6-17	92-625-274-020	1B	GEAR, MEDDLE		1
	6-18	92-625-285-030	1C	GEAR, DRIVE		1
	6-19	92-625-283-020	1C	CAM, CONTROL		1
	6-20	92-625-278-010	1F	INSULATOR		4
	6-21	92-625-280-010	1B	SPRING		4
	6-22	---		PLATE, PUSH		1
	6-23	---		SUB CHASSIS ASSY W/INSU SHAFT		1

# EXPLODED VIEW - 7

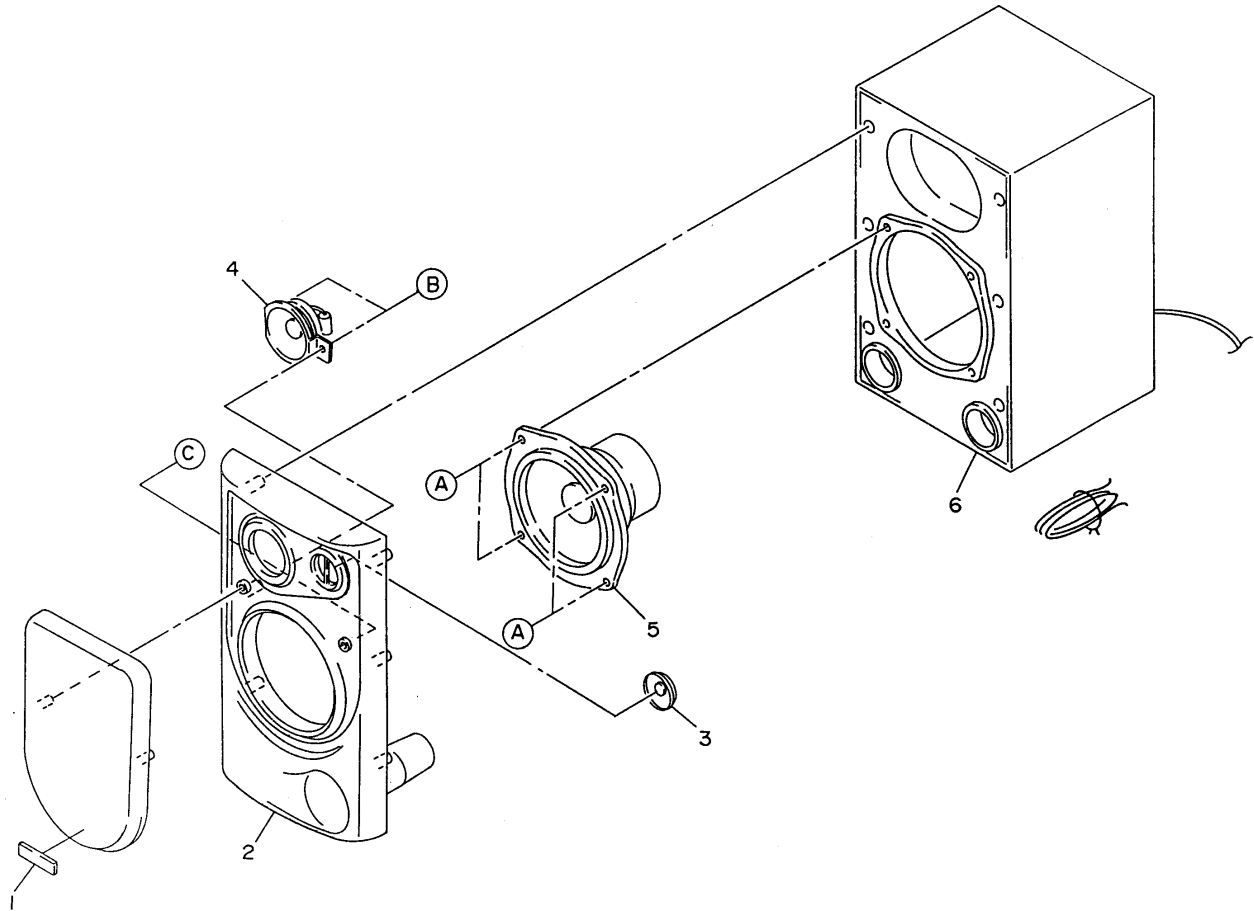
REF. NO.	PART NO.	DESCRIPTION
A	87-261-032-210	V + 2 - 3



PART NO. CHANGED TO	REF. NO.	PART NO.	カンリ NO.	DESCRIPTION	COMMON MODEL	Q'TY
	7-1	9X-262-513-310	2C	T.T CHASSIS ASSY W/MOTOR		1
	7-2	98-848-127-11Z	2G	PICK UP KSS - 210A		1
	7-3	92-625-188-020	1B	GEAR, A		1
	7-4	92-625-544-010	---	COVER		1
	7-5	---	---	GEAR, B		1
	7-6	9X-262-513-210	2M	SLED MOTOR ASSY		1
	7-7	91-564-722-110	1B	CONNECTOR 6P		1
	7-8	---	---	PWB, MOTOR		1
	7-9	91-572-085-110	1B	SWITCH, LEAF LIMIT		1
	7-10	94-917-565-010	1C	SHAFT, SLED		1
	7-11	92-625-191-010	1B	SPRING, COMPRESSION		1
	7-12	92-625-187-010	1B	RING, CENTER		1

# EXPLODED VIEW - 8

REF. NO.	PART NO.	DESCRIPTION
A	S4-121-535-100	SCREW S/T PWH DIA5 - 10
B	S4-110-530-060	SCREW WASHER DIA7
C	S4-111-130-100	SCREW S/T DIA AB/ZI



PART NO. CHANGED TO	REF. NO.	PART NO.	カンリ NO.	DESCRIPTION	COMMON MODEL	Q'TY
	8-1	S7-358-000-350	0E	SP LOGO		2
	8-2	S7-358-100-030	1F	SPAKR PANEL (L)		1
	8-2	S7-358-100-040	1F	SPAKR PANEL (R)		1
	8-3	S5-625-810-000	0E	CERA BUZZER 20MM		2
	8-4	S5-615-810-030	2A	SPAKR 6 - 20W (D)		2
	8-4	S5-615-810-010		SPAKR 6 - 20W (EXCEPT D)		2
	8-5	S5-615-810-04A	2B	SPAKR 4 - 20W (D)		2
	8-5	S5-615-800-000		SPAKR 4 - 10W (EXCEPT D)		2
	8-6	S9-158-100-021		SPAKR BOX ASSY		2



サービス技術ニュース	
番号	連絡内容
G-	-
G-	-
G-	-

**アイワ株式会社**  
**AIWA CO.,LTD.**

912162

Tokyo Japan