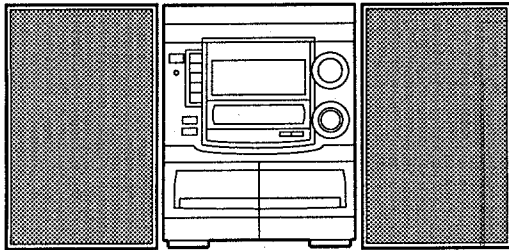


aiwa



NSX-AV520 NSX-MT520



COMPACT DISC STEREO
CASSETTE RECEIVER

- BASIC TAPE MECHANISM : 2ZM-3MK2 PR4NM, 6ZM-3 YPR2N
- BASIC CD MECHANISM : 4ZG-1 (Z3DSHNM, Z4SHMD)
- TYPE : EZ(AV520),
U(MT520)

REVISION PUBLISHING

SYSTEM	CD CASSEIVER	SPEAKER	REMOTE CONTROLLER
NSX-AV520	CX-NAV520 (TYPE : EZ)	SX-NAV504 SX-C605 SX-R275	RC-7AS09
NSX-MT520	CX-NMT520 (TYPE : U)	SX-NA502 SX-C605 SX-R275	

- This Service Manual is the "Revision Publishing" and replaces "Simple Manual", S/M Code No. 09-985-276-5FE(U), S/M Code No. 09-986-284-3FE(EZ).
- If requiring information about the CD mechanism, see Service Manual of 4ZG-1, S/M Code No. 09-983-249-30T.

TABLE OF CONTENTS

SPECIFICATIONS	3
NOTICE BEFORE STARTING REPAIR	4, 5
PROTECTION OF EYES FROM LASER BEAM DURING SERVICING	6
PRECAUTION TO REPLACE OPTICAL BLOCK	6
ELECTRICAL MAIN PARTS LIST	7 ~ 12
TRANSISTOR ILLUSTRATION	13
FL GRID ASSIGNMENT & ANODE CONNECTION	14, 15
BLOCK DIAGRAM - 1 (PRO)	16
BLOCK DIAGRAM - 2 (U: MAIN / FRONT)	17, 18
BLOCK DIAGRAM - 3 (EZ: MAIN / FRONT)	19, 20
WIRING - 1 (U : MAIN)	21, 22
SCHEMATIC DIAGRAM - 1 (U : MAIN 1 / 2)	23 ~ 25
IC BLOCK DIAGRAM - 1	26 ~ 28
WIRING - 2 (EZ : MAIN)	27, 28
SCHEMATIC DIAGRAM - 2 (EZ : MAIN 1 / 2)	29 ~ 31
WIRING - 3 (FRONT)	32 ~ 34
SCHEMATIC DIAGRAM - 3 (FRONT)	35 ~ 37
IC BLOCK DIAGRAM - 2	38 ~ 40
WIRING - 4 (PRO)	39 ~ 40
SCHEMATIC DIAGRAM - 4 (PRO)	41, 42
WIRING - 5 (AC1 / AC2)	43
SCHEMATIC DIAGRAM - 5 (U : TUNER FRONT END)	44
SCHEMATIC DIAGRAM - 6 (U : MAIN 2 / 2)	45, 46
WIRING - 6 (DECK : 6ZM-3 YPR2N <U>)	47
WIRING - 7 (DECK : 2ZM-3MK2 PR4NM <EZ>)	48
SCHEMATIC DIAGRAM - 7 (EZ : MAIN 2 / 2)	49, 50
IC BLOCK DIAGRAM - 3	51 ~ 53
IC DESCRIPTION	54, 55
ADJUSTMENT <TUNER / DECK>	56 ~ 58
PRACTICAL SERVICE FIGURE	58
MECHANICAL EXPLODED VIEW 1 / 1	59, 60
MECHANICAL PARTS LIST 1 / 1	61
TAPE MECHANISM EXPLODED VIEW 1 / 1 (6ZM-3 YPR2N <U>)	62, 63
TAPE MECHANISM PARTS LIST 1 / 1 (6ZM-3 YPR2N <U>)	64
SPRING APPLICATION POSITION (6ZM-3 YPR2N <U>)	65
TAPE MECHANISM EXPLODED VIEW 1 / 1 (2ZM-3MK2 PR4NM <EZ>)	66, 67
TAPE MECHANISM PARTS LIST 1 / 1 (2ZM-3MK2 PR4NM <EZ>)	68
SPRING APPLICATION POSITION (2ZM-3MK2 PR4NM <EZ>)	69
SPEAKER DISASSEMBLY INSTRUCTIONS	70
SPEAKER PARTS LIST	71
ACCESSORIES / PACKAGE LIST	71
REFERENCE NAME LIST	72

SPECIFICATIONS

<FM Tuner section>

Tuning range 87.5 MHz to 108 MHz
Usable sensitivity(IHF) U : 13.2 dBf
 EZ : 16.8 dBf
Antenna terminals 75 ohms (unbalanced)

<MW Tuner section>

Tuning range 531 kHz to 1602 kHz (9 kHz step)
 530 kHz to 1710 kHz (10 kHz step)
Usable sensitivity 350 uV/m
Antenna Loop antenna

<LW Tuner section> (EZ)

Tuning range 144 kHz to 290 kHz
Usable sensitivity 1400 uV/m
Antenna Loop antenna

<Amplifier section>

Power output

Front
 U : 40 W + 40 W (50 Hz - 20 kHz, THD less than 1%, 6 ohms)
 EZ : Rated 60 W + 60 W (6 ohms, THD 1%, 1 kHz / DIN 45500)
 Reference : 75 W + 75 W (6 ohms, THD 10%, 1 kHz / DIN 45324)
 DIN MUSIC POWER : 160 W + 160 W

Rear (Surround)
 U : 20 W + 20 W (50 Hz - 20 kHz, THD less than 1%, 8 ohms)
 EZ : Rated 20 W + 20 W (8 ohms, THD 1%, 1 kHz / DIN 45500)
 Reference : 25 W + 25 W (8 ohms, THD 10%, 1 kHz / DIN 45324)
 DIN MUSIC POWER : 65 W + 65 W

Center
 U : 20 W (50 Hz - 20 kHz, THD less than 1%, 8 ohms)
 EZ : Rated 20 W (8 ohms, THD 1%, 1 kHz / DIN 45500)
 Reference : 25 W (8 ohms, THD 10%, 1 kHz / DIN 45324)
 DIN MUSIC POWER : 65 W

Total harmonic distortion U : 0.1% (30 W, 1 kHz, 6 ohms, DIN AUDIO / Front)
 EZ : 0.1% (45 W, 1 kHz, 6 ohms, DIN AUDIO / Front)

Inputs
 VIDEO/AUX : 150 mV (adjustable)
 MD : 150mV (adjustable)
 MIC1, MIC2 : 1.0 mV (10 kohms)
 5.1 CH INPUT

Outputs
 FRONT (L, R) : 400 mV
 REAR (L, R) : 270 mV
 CENTER : 270 mV
 SUB WOOFER : 400mV
 LINE OUT: 200mV
 SUPER WOOFERS : 1.0 V
 SPEAKERS: accept speakers of 6 ohms or more
 SURROUND SPEAKERS: accept speakers of 8 ohms to 16 ohms
 CENTER SPEAKERS: accept speakers of 8 ohms or more
 PHONES (stereo jack) : accepts headphones of 32 ohms or more

<Cassette deck section>

Track format 4 tracks, 2 channels stereo
Frequency response U : 50 Hz - 15000 Hz
 EZ : CrO₂ tape : 50 Hz - 16000 Hz
 EZ : Normal tape : 50 Hz - 15000 Hz
 AC bias
Recording system Deck 1 : playback head x 1
Heads Deck 2 : Recording/Playback head x 1/ erase head x 1

<Compact disc player section>

Laser Semiconductor laser (λ = 780 nm)
D-A converter 1 bit dual
Signal-to-noise ratio 85 dB (1 kHz, 0 dB)
Harmonic distortion 0.05 % (1 kHz, 0 dB)
Wow and flutter Unmeasurable

<Speaker system SX-NA502> (MT520U)

Cabinet type 3 way, bass reflex (magnetic shielded type)
Speakers Woofer : 140 mm (6 3/8 in.) cone type
 Tweeter : 60 mm (2 3/8 in.) cone type
 Super tweeter : 10 mm (13/16 in.) ceramic type
Impedance 6 ohms
Output sound pressure level 87 dB/W/m
Dimensions (W x H x D) 235 x 324 x 250 mm (9 3/8 X 12 7/8 X 9 7/8 in.)
Weight 3.9 kg (7 lbs 4 oz.)

<Speaker system SX-NAV504> (AV520EZ)

Cabinet type 2 way, bass reflex (magnetic shielded type)
Speakers Woofer : 160 mm cone type
 Tweeter : 60 mm cone type
Impedance 6 ohms
Output sound pressure level 87 dB/W/m
Dimensions (W x H x D) 250 x 324 x 275 mm
Weight 3.9 kg


<General>

Power requirements U : 120 VAC, 60 Hz
 EZ : 230 VAC, 50 Hz
Power consumption U : 160 W
 EZ : 175 W
Dimensions of main unit 260 x 329.1 x 344.5 mm (10 1/4 X 13 X 13 5/8 in.)
Weight of main unit U : 7.6 kg (16 lbs 12 oz.)
 EZ : 8.2 kg

• Design and specifications are subject to change without notice.

• The word "BBE" and the "BBE symbol" are trademarks of BBE Sound, Inc.
 Under license from BBE Sound, Inc.

• DOLBY NR / DOLBY PRO LOGIC
 Manufactured under license from Dolby Laboratories Licensing Corporation.

"DOLBY", and the double-D symbol  and "PRO LOGIC" are trademarks of Dolby Laboratories Licensing Corporation.

NOTE ON BEFORE STARTING REPAIR

1. Forced discharge of electrolytic capacitor of power supply block

When repair is going to be attempted in the set that uses relay circuit in the power supply block, electric potential is kept charged across the electrolytic capacitors (C101, 102) even though AC power cord is removed. If repair is attempted in this condition, the secondary defect can occur.

In order to prevent the secondary trouble, perform the following measures before starting repair work.

Discharge procedure

- ① Remove the AC power cord.
- ② Connect a discharging resistor at an end of lead wire that has clips at both ends. Connect the other end of the lead wire to metal chassis.
- ③ Contact the other end of the discharging resistor to the positive (+) side (+VH) of C101. (For two seconds)
- ④ Contact the same end of the discharging resistor as step ③ to the negative (-) side (-VH) of C102 in the same way. (For two seconds)
- ⑤ Check that voltage across C101 and C102 has decreased 1 V or less using a multimeter or an oscilloscope.

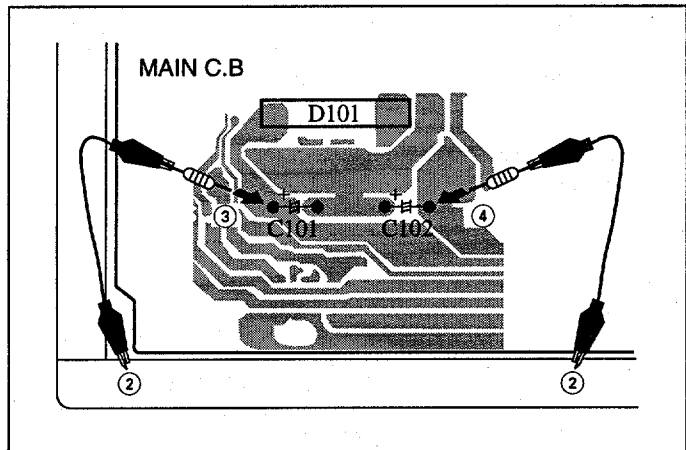


Fig-1

Select a discharging resistor referring to the following table.

Charging voltage (V) (C101, 102)	Discharging resistor (Ω)	Rated power (W)	Parts number
25-48	100	3	87-A00-247-090
49-140	220	5	87-A00-232-090

Note: The reference numbers (C101, C102) of the electrolytic capacitors can change depending on the models. Be sure to check the reference numbers of the charging capacitors on schematic diagram before starting the discharging work.

2. Check items before exchanging the MICROCOMPUTER

Be sure to check the following items before exchanging the MICROCOMPUTER. Exchange the MICROCOMPUTER after confirming that the MICROCOMPUTER is surely defective.

2-1. Regarding the HOLD terminal of the MICROCOMPUTER

When the HOLD terminal (INPUT) of the MICROCOMPUTER is "H", the MICROCOMPUTER is judged to be operating correctly. When this terminal is "L", the main power cannot be turned on. Therefore, be sure to check the terminal voltage of the HOLD terminal before exchange.

When the MICROCOMPUTER is not defective, the HOLD terminal can also go "L" when the POWER AMPLIFIER has any abnormalities that triggers the abnormality detection circuit on the MAIN C. B. that sets the HOLD terminal to "L".

• Good or no good judgement of the MICROCOMPUTER

- ① Turn on the AC main power.
- ② Confirm that the main power is turned on and the HOLD terminal of the MICROCOMPUTER keeps the "H" level or not.
- ③ When the HOLD terminal is "L" level, the abnormality detection circuit is judged to be working correctly and the MICROCOMPUTER is judged to be good.

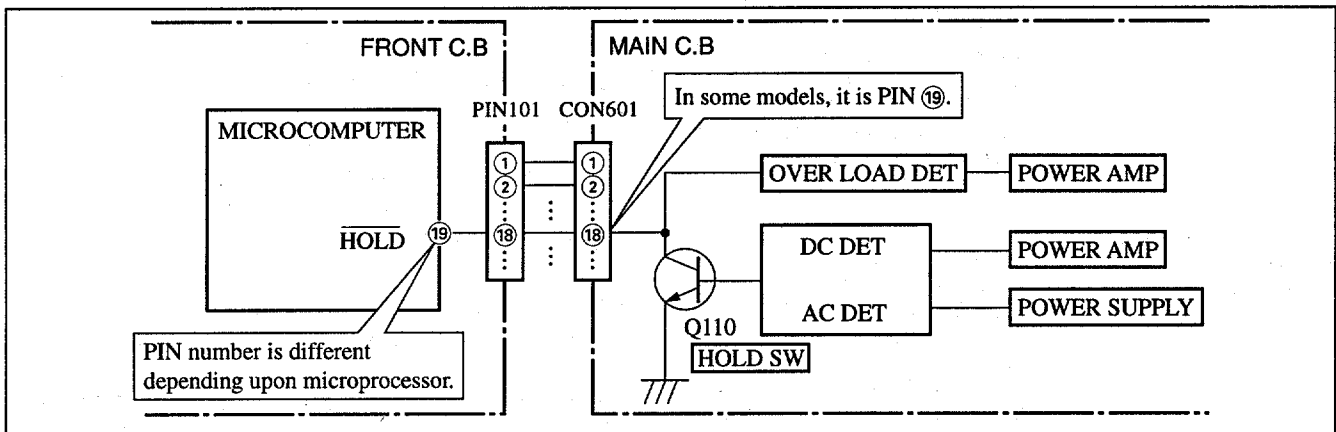


Fig-2-1

In such a case, check also if the POWER AMPLIFIER circuit or power supply circuit has any abnormalities or not.

2-2. Regarding reset

There are cases that the machine does not work correctly because the MICROCOMPUTER is not reset even though the AC power cord is re-inserted, or the software reset (pressing the STOP key + POWER key) is performed.

When the above described phenomenon occurs, it can lead to wrong judgement as if the MICROCOMPUTER is defective and to exchange the MICROCOMPUTER. In such a case, perform the forced-reset by the following procedure and check good or no good of the MICROCOMPUTER.

- ① Remove the AC power cord.

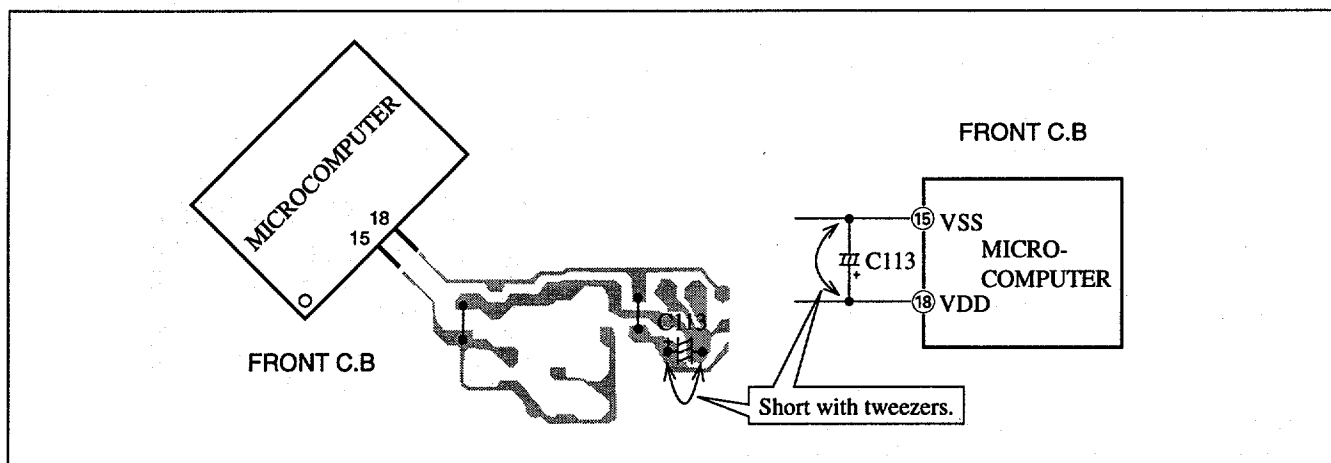


Fig-2-2

- ② Short both ends of the electrolytic capacitor C113 that is connected to VDD of the MICROCOMPUTER with tweezers.
- ③ Connect the AC power cord again. If the MICROCOMPUTER returns to the normal operation, the MICROCOMPUTER is good.

Note: The reference number or MICROCOMPUTER pin number of transistor (Q110) and electrolytic capacitor (C113) can change depending on the models. Be sure to check the reference numbers on schematic diagram before starting the discharging work.

2-3. Confirmation of soldering state of MICROCOMPUTER

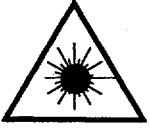
Check the soldering state of the MICROCOMPUTER in addition to the above described procedures. Be sure to exchange the MICROCOMPUTER after surely confirming that the trouble is not caused by poor soldering but the MICROCOMPUTER itself.

PROTECTION OF EYES FROM LASER BEAM DURING SERVICING

This set employs laser. Therefore, be sure to follow carefully the instructions below when servicing.

WARNING!!

WHEN SERVICING, DO NOT APPROACH THE LASER EXIT WITH THE EYE TOO CLOSELY. IN CASE IT IS NECESSARY TO CONFIRM LASER BEAM EMISSION, BE SURE TO OBSERVE FROM A DISTANCE OF MORE THAN 30cm FROM THE SURFACE OF THE OBJECTIVE LENS ON THE OPTICAL PICK-UP BLOCK.



- Caution: Invisible laser radiation when open and interlocks defeated avoid exposure to beam.
- Advarsel: Usynlig laserstråling ved åbning, når sikkerhedsafbrydere er ude af funktion. Undgå udsættelse for stråling.

VAROITUS!

Laiteen Käyttäminen muulla kuin tässä käyttöohjeessa mainituilla tavalla saattaa altistaa käyt-täjän turvallisuusluokan 1 ylittävälle näkymättömälle lasersäteilylle.

WARNING!

Om apparaten används på annat sätt än vad som specificeras i denna bruksanvisning, kan användaren utsättas för osynlig laserstråling, som överskrider gränsen för laserklass 1.

CAUTION

Use of controls or adjustments or performance of procedures other than those specified herein may result in hazardous radiation exposure.

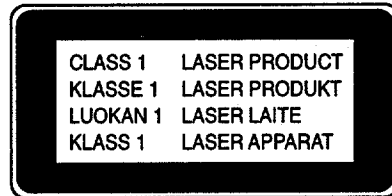
ATTENTION

L'utilisation de commandes, réglages ou procédures autres que ceux spécifiés peut entraîner une dangereuse exposition aux radiations.

ADVARSEL!

Usynlig laserstråling ved åbning, når sikkerhedsafbrydere er ude af funktion. Undgå udsættelse for stråling.

This Compact Disc player is classified as a CLASS 1 LASER product. The CLASS 1 LASER PRODUCT label is located on the rear exterior.



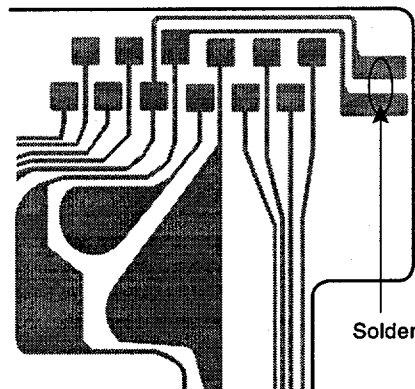
Precaution to replace Optical block

(KSS - 213F)

Body or clothes electrostatic potential could ruin laser diode in the optical block. Be sure ground body and workbench, and use care the clothes do not touch the diode.

- 1) After the connection, remove solder shown in right figure.

PICK-UP Assy P.C.B



ELECTRICAL MAIN PARTS LIST

If can't understand for Description please kindly refer to "REFERENCE NAME LIST".

REF. NO.	PART NO.	KANRI NO.	DESCRIPTION	REF. NO.	PART NO.	KANRI NO.	DESCRIPTION
IC							
	88-NF7-750-010		C-IC, LC866560W-5H26		87-A40-299-080		ZENER, DZ5.1M<EZ>
	87-070-083-010		IC, GPU281X		87-A40-345-080		ZENER, MTZJ10C<EZ>
	87-A20-783-040		C-IC, BA7762AFS<EZ>		87-A40-184-090		DIODE, RK34<EZ>
	87-A20-083-010		IC, BA3835S		87-A40-002-080		ZENER, MTZJ5.1C
	87-A20-804-040		C-IC, NJM2152M		87-A40-438-080		ZENER, MTZJ4.7A
	87-017-915-080		IC, BU4094BCF		87-A40-234-080		ZENER, MTZJ5.6A
	87-A20-954-040		C-IC, M62445FP-601		87-A40-116-060		RS403L-B-D-51
	87-017-888-080		IC, NJM4558MD		87-A40-504-040		C-DIODE, KDS184
	86-NFZ-655-010		IC, LC72131D(Z)		87-070-136-080		ZENER, MTZJ5.1B
					87-A40-348-080		ZENER, MTZJ3.3A
	87-A20-438-010		IC, LA1837<U>		87-A40-442-080		ZENER, MTZJ9.1A
	87-020-454-010		IC, DN6851		87-002-225-010		DIODE, DBF40C-K10<U>
	87-070-121-010		IC, HA12185NT<U>		87-A40-505-040		C-DIODE, KDS181
	87-A20-913-010		IC, LA1837NL<EZ>				
	87-A20-440-010		C-IC, BU1920FS<EZ>	MAIN C.B			
	87-A20-355-010		IC, CXA1533P<EZ>	C105	87-012-368-080		C-CAP, S 0.1-50 F
	87-070-289-040		IC, BU2092F	C106	87-012-368-080		C-CAP, S 0.1-50 F
	87-A20-715-010		IC, M62439SP	C107	87-012-368-080		C-CAP, S 0.1-50 F
	87-A20-853-010		C-IC, M62463FP	C108	87-012-368-080		C-CAP, S 0.1-50 F
	87-017-726-080		C-IC, BU4052BCF	C109	87-010-196-080		CHIP CAPACITOR, 0.1-25
	87-017-917-080		C-IC, BU4066BCF	C110	87-010-196-080		CHIP CAPACITOR, 0.1-25
TRANSISTOR				C111	87-010-196-080		CHIP CAPACITOR, 0.1-25
	87-A30-087-080		C-FET, 2SK2158	C112	87-010-196-080		CHIP CAPACITOR, 0.1-25
	89-213-702-010		TR, 2SB1370 (1.8W)	C113	87-010-247-080		CAP, ELECT 100-50V
	87-026-263-080		C-TR, RN1410	C116	87-010-247-080		CAP, ELECT 100-50V
	87-A30-071-080		C-TR, RT1N 144C				
	87-026-610-080		TR, KTC3198GR	C117	87-010-430-080		CAP, ELECT 100-63
	87-A30-076-080		C-TR, 2SC3052F	C118	87-010-263-080		CAP, ELECT 100-10V
	87-A30-196-080		TR, 2SC4115SRS	C119	87-010-260-080		CAP, ELECT 47-25V
	87-A30-075-080		C-TR, 2SA1235F	C120	87-010-403-080		CAP, ELECT 3.3-50V
	87-026-609-080		TR, KTA1266GR	C121	87-012-140-080		CAP 470P
	87-A30-107-070		C-TR, CMBT5401	C122	87-010-263-080		CAP, ELECT 100-10V<U>
	87-A30-190-080		TR, CC5551	C123	87-010-247-080		CAP, ELECT 100-50V
	87-A30-106-070		C-TR, CMBT5551	C124	87-010-112-080		CAP, ELECT 100-16V
	87-A30-186-010		FET, 2SK3053<EZ>	C125	87-010-235-080		CAP, E 470-16 SME
	87-A30-072-080		C-TR, RT1P 144C	C128	87-010-394-080		CAP, ELECT 220-35V<U>
	87-A30-074-080		C-TR, RT1P 141C	C130	87-010-194-080		CAP, CHIP 0.047<EZ>
	87-A30-073-080		C-TR, RT1N 141C	C131	87-010-194-080		CAP, CHIP 0.047<EZ>
	87-A30-105-080		C-TR, RT1P 441C	C151	87-010-917-090		CAP, E 3300-50 M SMG
	87-026-580-080		C-TR, DTA123JK	C152	87-010-917-090		CAP, E 3300-50 M SMG
	87-A30-086-070		C-TR, CSD1306E	C153	87-010-928-090		CAP, E 4700-25 SMG
	89-112-965-080		TR, 2SA1296 (0.75W)	C154	87-010-928-090		CAP, E 4700-25 SMG<EZ>
	87-A30-085-070		C-TR, CSA1362GR	C204	87-016-299-080		CAP, E 10-100
	89-327-143-080		TR, 2SC2714 (0.1W)	C205	87-010-805-080		C-CAP, 1UF-16FZ<EZ>
	87-026-463-080		TR, 2SA933SRS	C206	87-010-805-080		C-CAP, 1UF-16FZ<EZ>
	89-505-434-540		C-FET, 2SK543-TB(4/5)<EZ>	C209	87-010-546-080		CAP, ELECT 0.33-50V
	87-A30-137-010		TR, 2SD2494	C210	87-010-546-080		CAP, ELECT 0.33-50V
	87-A30-138-010		TR, 2SB1625	C211	87-010-180-080		C-CER 1500P<U>
	87-A30-142-040		C-TR, DTA123EKA	C211	87-010-183-080		CAP, CHIP S 2700P-50 B<EZ>
	87-026-238-080		C-TR, DTC144WK<U>	C212	87-010-180-080		C-CER 1500P<U>
	87-A30-108-010		TR, 2SB1626	C212	87-010-183-080		CAP, CHIP S 2700P-50 B<EZ>
	87-A30-109-010		TR, 2SD2495	C213	87-010-186-080		CAP, CHIP 4700P
	87-A30-214-010		TR, 2SB1344	C214	87-010-186-080		CAP, CHIP 4700P
	87-A30-215-010		TR, 2SD2025	C215	87-010-403-080		CAP, ELECT 3.3-50V
	87-A30-104-080		C-TR, RT1N441C	C216	87-010-403-080		CAP, ELECT 3.3-50V
	87-026-223-080		C-TR, DTC143TK	C217	87-010-260-080		CAP, ELECT 47-25V
DIODE				C218	87-010-260-080		CAP, ELECT 47-25V
	87-A40-470-080		DIODE, 1SS254	C219	87-010-805-080		C-CAP, 1UF-16FZ<EZ>
	87-A40-115-060		DIODE, RS603M<EZ>	C220	87-010-805-080		C-CAP, 1UF-16FZ<EZ>
	87-A40-509-080		ZENER, MTZJ6.8C	C221	87-010-213-080		C-CAP, S 0.015-50 B<EZ>
	87-070-274-080		DIODE, 1N4003 SEM	C222	87-010-213-080		C-CAP, S 0.015-50 B<EZ>
	87-A40-341-080		ZENER, MTZJ 36 A	C223	87-010-197-080		CAP, CHIP 0.01 DM<EZ>
				C224	87-010-197-080		CAP, CHIP 0.01 DM<EZ>
	87-A40-308-080		ZENER, DZ10M	C225	87-010-176-080		C-CAP, S 680P-50 SL
	87-A40-004-080		ZENER, MTZJ16A	C226	87-010-176-080		C-CAP, S 680P-50 SL
	87-A40-488-080		DIODE, 1SS244	C229	87-A10-812-080		C-CAP, S 220P-200 J CH
				C230	87-A10-812-080		C-CAP, S 220P-200 J CH
				C233	87-010-544-080		CAP, ELECT 0.1-50V
				C234	87-010-544-080		CAP, ELECT 0.1-50V
				C235	87-010-196-080		CHIP CAPACITOR, 0.1-25

REF. NO.	PART NO.	KANRI NO.	DESCRIPTION	REF. NO.	PART NO.	KANRI NO.	DESCRIPTION
C237	87-012-368-080		C-CAP,S 0.1-50 F	C384	87-010-402-080		CAP, ELECT 2.2-50V
C238	87-012-368-080		C-CAP,S 0.1-50 F	C385	87-010-184-080		CHIP CAPACITOR 3300P<EZ>
C239	87-012-368-080		C-CAP,S 0.1-50 F	C386	87-010-196-080		CHIP CAPACITOR,0.1-25
C240	87-012-368-080		C-CAP,S 0.1-50 F	C387	87-012-145-080		CAP, CHIP S 270P CH<U>
C247	87-010-178-080		CAP, CHIP 1000P	C391	87-010-319-080		C-CAP,S 56P-50 CH<U>
C248	87-010-178-080		CAP, CHIP 1000P	C391	87-012-145-080		CAP, CHIP S 270P CH<EZ>
C299	87-010-197-080		CAP,CHIP 0.01 DM<EZ>	C392	87-010-319-080		C-CAP,S 56P-50 CH<U>
C280	87-010-188-080		C-CAP,S 6800P-50 B	C392	87-012-145-080		CAP, CHIP S 270P CH<EZ>
C301	87-010-318-080		C-CAP,S 47P-50 CH	C393	87-010-319-080		C-CAP,S 56P-50 CH<U>
C302	87-010-318-080		C-CAP,S 47P-50 CH	C393	87-012-145-080		CAP, CHIP S 270P CH<EZ>
C303	87-012-157-080		C-CAP,S 330P-50 CH	C394	87-010-319-080		C-CAP,S 56P-50 CH<U>
C304	87-012-157-080		C-CAP,S 330P-50 CH	C394	87-012-145-080		CAP, CHIP S 270P CH<EZ>
C305	87-012-145-080		CAP, CHIP S 270P CH	C401	87-010-401-080		CAP, ELECT 1-50V
C306	87-012-145-080		CAP, CHIP S 270P CH	C402	87-010-401-080		CAP, ELECT 1-50V
C307	87-010-196-080		CHIP CAPACITOR,0.1-25	C403	87-010-182-080		C-CAP,S 2200P-50 B
C309	87-010-196-080		CHIP CAPACITOR,0.1-25<U>	C404	87-010-182-080		C-CAP,S 2200P-50 B
C310	87-010-196-080		CHIP CAPACITOR,0.1-25<U>	C405	87-010-193-080		CHIP CAPACITOR,0.033
C311	87-010-198-080		CAP, CHIP 0.022	C406	87-010-193-080		CHIP CAPACITOR,0.033
C312	87-010-198-080		CAP, CHIP 0.022	C407	87-010-404-080		CAP, ELECT 4.7-50V
C313	87-010-179-080		CHIP CAP S 1200P<EZ>	C408	87-010-404-080		CAP, ELECT 4.7-50V
C313	87-010-180-080		C-CER 1500P<U>	C409	87-010-380-080		CAP, ELECT 47-16V
C314	87-010-179-080		CHIP CAP S 1200P<EZ>	C410	87-010-380-080		CAP, ELECT 47-16V
C314	87-010-180-080		C-CER 1500P<U>	C411	87-010-405-080		CAP, ELECT 10-50V
C315	87-010-178-080		CHIP CAP 1000P<EZ>	C412	87-010-112-080		CAP, ELECT 100-16V
C315	87-010-182-080		C-CAP,S 2200P-50 B<U>	C415	87-010-187-080		CAP CHIP S5600P
C316	87-010-178-080		CHIP CAP 1000P<EZ>	C416	87-010-187-080		CAP CHIP S5600P
C316	87-010-182-080		C-CAP,S 2200P-50 B<U>	C457	87-010-404-080		CAP, ELECT 4.7-50V
C317	87-012-142-080		CAP,S 0.33-16<EZ>	C458	87-010-404-080		CAP, ELECT 4.7-50V
C318	87-012-142-080		CAP,S 0.33-16<EZ>	C516	87-010-196-080		CHIP CAPACITOR,0.1-25
C319	87-012-141-080		CHIP CAP,0.22-16 F<EZ>	C601	87-010-180-080		C-CER 1500P
C320	87-012-141-080		CHIP CAP,0.22-16 F<EZ>	C602	87-010-180-080		C-CER 1500P
C321	87-016-492-080		C-CAP,S 0.33-16 FZ<U>	C613	87-016-081-080		C-CAP,S 0.1-16 RK
C321	87-012-141-080		CHIP CAP,0.22-16 F<EZ>	C614	87-016-081-080		C-CAP,S 0.1-16 RK
C322	87-016-492-080		C-CAP,S 0.33-16 FZ<U>	C619	87-010-185-080		C-CAP,S 3900P-50 B
C322	87-012-141-080		CHIP CAP,0.22-16 F<EZ>	C620	87-010-185-080		C-CAP,S 3900P-50 B
C324	87-010-260-080		CAP, ELECT 47-25V	C621	87-010-401-080		CAP, ELECT 1-50V
C325	87-010-370-080		CAP,E 330-6.3 SME	C622	87-010-401-080		CAP, ELECT 1-50V
C327	87-010-404-080		CAP, ELECT 4.7-50V	C625	87-010-405-080		CAP, ELECT 10-50V
C328	87-010-404-080		CAP, ELECT 4.7-50V	C626	87-010-405-080		CAP, ELECT 10-50V
C332	87-010-196-080		CHIP CAPACITOR,0.1-25	C629	87-010-405-080		CAP, ELECT 10-50V
C335	87-010-401-080		CAP, ELECT 1-50V	C630	87-010-213-080		CAP, CHIP 0.015-25 KB GRM
C336	87-010-401-080		CAP, ELECT 1-50V	C631	87-010-992-080		CHIP-CAP,S 0.047-25B
C337	87-010-196-080		CHIP CAPACITOR,0.1-25	C632	87-010-263-080		CAP, ELECT 100-10V
C339	87-010-196-080		CHIP CAPACITOR,0.1-25	C633	87-010-263-080		CAP, ELECT 100-10V
C340	87-010-196-080		CHIP CAPACITOR,0.1-25	C634	87-010-196-080		CHIP CAPACITOR,0.1-25
C351	87-012-140-080		CAP 470P	C635	87-010-196-080		CHIP CAPACITOR,0.1-25
C352	87-012-140-080		CAP 470P	C636	87-010-194-080		CAP, CHIP 0.047
C354	87-010-175-080		CAP 560P	C637	87-010-183-080		C-CAP,S 2700P-50 B
C355	87-012-349-080		C-CAP,S 1000P-50 CH	C641	87-010-196-080		CHIP CAPACITOR,0.1-25
C356	87-010-260-080		CAP, ELECT 47-25V	C653	87-010-318-080		C-CAP,S 47P-50 B<EZ>
C357	87-010-197-080		CAP, CHIP 0.01 DM	C654	87-010-318-080		C-CAP,S 47P-50 B<EZ>
C358	87-010-183-080		C-CAP,S 2700P-50 B	C667	87-010-196-080		CHIP CAPACITOR,0.1-25
C359	87-010-183-080		C-CAP,S 2700P-50 B	C669	87-010-322-080		C-CAP,S 100P-50 CH<EZ>
C360	87-010-183-080		C-CAP,S 2700P-50 B	C670	87-010-322-080		C-CAP,S 100P-50 CH<EZ>
C370	87-010-196-080		CHIP CAPACITOR,0.1-25	C671	87-010-322-080		C-CAP,S 100P-50 CH<EZ>
C371	87-010-177-080		C-CAP,S820P-50 SL<EZ>	C672	87-010-322-080		C-CAP,S 100P-50 CH<EZ>
C372	87-010-177-080		C-CAP,S820P-50 SL<EZ>	C701	87-010-381-080		CAP, ELECT 330-16V
C373	87-016-083-080		C-CAP,S 0.15-16 RK<U>	C702	87-010-404-080		CAP, ELECT 4.7-50V
C373	87-010-179-080		CAP,CHIP S B1200P<EZ>	C703	87-010-197-080		CAP, CHIP 0.01 DM
C374	87-016-083-080		C-CAP,S 0.15-16 RK<U>	C704	87-010-197-080		CAP, CHIP 0.01 DM
C374	87-010-179-080		CAP,CHIP S B1200P<EZ>	C709	87-010-322-080		C-CAP,S 100P-50 CH
C375	87-010-545-080		CAP,ELECT 0.22-50V<EZ>	C711	87-010-263-080		CAP, ELECT 100-10V
C376	87-010-545-080		CAP,ELECT 0.22-50V<EZ>	C712	87-010-196-080		CHIP CAPACITOR,0.1-25
C378	87-010-196-080		CHIP CAPACITOR,0.1-25	C713	87-010-197-080		CAP, CHIP 0.01 DM
C379	87-010-382-080		CAP, ELECT 22-25V<U>	C714	87-010-197-080		CAP, CHIP 0.01 DM
C380	87-010-382-080		CAP, ELECT 22-25V<U>	C715	87-010-322-080		C-CAP,S 100P-50 CH<EZ>
C381	87-010-197-080		CAP, CHIP 0.01 DM	C721	87-010-312-080		C-CAP,S 15P-50 CH
C382	87-010-312-080		C-CAP,S 15P-50 CH<U>	C722	87-010-312-080		C-CAP,S 15P-50 CH
C382	87-010-318-080		C-CAP,S 47P-50 CH<EZ>	C723	87-010-178-080		CHIP CAP 1000P
C383	87-010-197-080		CAP, CHIP 0.01 DM	C725	87-010-178-080		CHIP CAP 1000P

REF. NO.	PART NO.	KANRI NO.	DESCRIPTION	REF. NO.	PART NO.	KANRI NO.	DESCRIPTION
C727	87-010-196-080		CHIP CAPACITOR,0.1-25	C947	87-010-197-080		CAP, CHIP 0.01 DM<EZ>
C728	87-010-248-080		CAP, ELECT 220-10V	C949	87-014-049-080		CAP,PP 470P-100J<EZ>
C755	87-010-197-080		CAP, CHIP 0.01 DM	C952	87-010-197-080		CAP, CHIP 0.01 DM<EZ>
C756	87-010-197-080		CAP, CHIP 0.01 DM	C957	87-010-311-080		CAP, 12P<EZ>
C757	87-010-318-080		C-CAP,S 47P-50 CH	C958	87-010-197-080		CAP, CHIP 0.01 DM<EZ>
C758	87-010-149-080		C-CAP,S 5P-50 CH	C959	87-010-196-080		CHIP CAPACITOR,0.1-25
C759	87-012-156-080		C-CAP,S 220P-50 CH<U>	C960	87-010-196-080		CHIP CAPACITOR,0.1-25
C760	87-012-156-080		C-CAP,S 220P-50 CH<U>	C961	87-010-152-080		C-CAP,S 8P-50 D CH GRM<U>
C761	87-010-196-080		CHIP CAPACITOR,0.1-25	CF801	87-008-261-010		FILTER, SFE10.7MA5-A<U>
C762	87-010-197-080		CAP, CHIP 0.01 DM	CF801	87-008-423-010		FLTR,CF SFE10.7 MS3G-A<EZ>
C763	87-010-194-080		CAP, CHIP 0.047	CF802	87-008-261-010		FILTER, SFE10.7MA5-A<U>
C764	87-010-319-080		C-CAP,S 56P-50 CH<U>	CF802	82-785-747-010		CF,MS2 GHY R<EZ>
C765	87-010-197-080		CAP, CHIP 0.01 DM	CON351	86-2M3-605-010		CONN ASSY,8P-RPB<U>
C766	87-010-197-080		CAP, CHIP 0.01 DM	FB301	87-008-372-080		FILTER,EMI BL OIRNI<EZ>
C767	87-010-405-080		CAP, ELECT 10-50V	FC602	88-906-241-110		FF-CABLE,6P 1.25
C768	87-010-197-080		CAP, CHIP 0.01 DM	FFE801	A8-8ZA-190-030		8ZA-1 FEUNM<U>
C769	87-010-408-080		CAP, ELECT 47-50V	FFE801	A8-6ZA-191-130		6ZA-1 FEENM<EZ>
C770	87-015-821-080		C-CAP 0.047	J211	87-A60-483-010		JACK,DIA6.3 BLK ST W/S KM
C771	87-010-407-080		CAP, ELECT 33-50V	J203	87-033-240-010		TERMINAL,SP 4P32SV1-05
C772	87-010-194-080		CAP, CHIP 0.047	J601	87-A60-426-010		JACK,PIN 6P YKC21-3835
C773	87-010-196-080		CHIP CAPACITOR,0.1-25<U>	J801	87-A60-202-010		TERMINAL,ANT 4P MSP-154V-02<U>
C773	87-010-179-080		CAP,CHIP S B1200P<EZ>	J801	87-A60-427-010		TERMINAL,ANT 2P YKD31-0429<EZ>
C774	87-010-263-080		CAP, ELECT 100-10V	L201	87-003-383-010		COIL,1UH-S
C775	87-010-404-080		CAP, ELECT 4.7-50V	L202	87-003-383-010		COIL,1UH-S
C776	87-010-197-080		CAP, CHIP 0.01 DM	L301	87-A50-049-010		COIL,TRAP 85K(COI)
C777	87-010-400-080		CAP, ELECT 0.47-50V	L302	87-A50-049-010		COIL,TRAP 85K(COI)
C778	87-010-401-080		CAP, ELECT 1-50V	L351	87-007-342-010		COIL,OSC 85K BIAS
C779	87-010-401-080		CAP, ELECT 1-50V	L771	87-A50-266-010		COIL,FM DET-2N(TOK)
C780	87-010-196-080		CHIP CAPACITOR,0.1-25	L772	87-A90-733-010		FLTR,PCFAZH-450(TOK)
C781	87-010-405-080		CAP, ELECT 10-50V	L781	87-005-847-080		COIL,2.2UH(CECS)
C782	87-010-405-080		CAP, ELECT 10-50V	L791	87-A50-027-010		COIL,1 POLE MPX(TOK)<EZ>
C783	87-015-819-080		CAPACITOR,0.01	L792	87-A50-027-010		COIL,1 POLE MPX(TOK)<EZ>
C784	87-010-197-080		CAP, CHIP 0.01 DM	L832	86-NF2-694-080		COIL,2.2UH K CECS
C785	87-010-403-080		CAP, ELECT 3.3-50V	L941	87-A50-020-010		COIL,ANT LW(COI)252KHZ<EZ>
C786	87-010-403-080		CAP, ELECT 3.3-50V	L942	87-A50-019-010		COIL,OSC LW(COI)856KHZ<EZ>
C787	87-010-186-080		CAP, CHIP 4700P<EZ>	L981	87-NF4-650-010		COIL,AM PACK 4N(TOK)<U>
C788	87-010-186-080		CAP, CHIP 4700P<EZ>	L981	87-NF4-651-010		COIL,AM PACK 2N(TOM)<EZ>
C789	87-010-179-080		CAP,CHIP S B1200P	R123	87-022-200-080		RESISTOR,METAL 0.56 1W<U>
C790	87-010-179-080		CAP,CHIP S B1200P	R237	87-A00-257-080		RES,M/F 0.15-1W J
C791	87-010-405-080		CAP, ELECT 10-50V	R238	87-A00-257-080		RES,M/F 0.15-1W J
C793	87-010-177-080		C-CAP,S 820P-50 SL<U>	R239	87-A00-257-080		RES,M/F 0.15-1W J
C793	87-010-180-080		C-CER 1500P<EZ>	R240	87-A00-257-080		RES,M/F 0.15-1W J
C794	87-010-406-080		CAP, ELECT 22-50	RY101	87-A90-464-010		RELAY, DGL2D2-O(M)
C795	87-010-596-080		CAP, S 0.047-16	SFR301	87-A90-557-080		SFR,33K H HOKU<EZ>
C796	87-010-403-080		CAP, ELECT 3.3-50V	SFR302	87-A90-557-080		SFR,33K H HOKU<EZ>
C797	87-010-181-080		CAP,CHIP S 1800P<U>	SFR303	87-A90-557-080		SFR,33K H HOKU<EZ>
C797	87-010-180-080		C-CER 1500P<EZ>	SFR304	87-A90-557-080		SFR,33K H HOKU<EZ>
C798	87-010-181-080		CAP,CHIP S 1800P<U>	SFR305	87-A90-433-080		SFR,50K H NV26TLTA<EZ>
C798	87-010-180-080		C-CER 1500P<EZ>	SFR306	87-A90-433-080		SFR,50K H NV26TLTA<EZ>
C799	87-010-194-080		CAP, CHIP 0.047	SFR351	87-A90-433-080		SFR,50K H NV26TLTA
C812	87-010-197-080		CAP, CHIP 0.01 DM	SFR352	87-A90-433-080		SFR,50K H NV26TLTA
C814	87-010-197-080		CAP, CHIP 0.01 DM	TH201	87-A90-221-010		C-THMS,100K<EZ>
C820	87-010-408-080		CAP, ELECT 47-50V	TH202	87-A90-221-010		C-THMS,100K<EZ>
C821	87-010-197-080		CAP, CHIP 0.01 DM	W104	85-NF5-628-010		F-CABLE 7P-2.5
C822	87-010-197-080		CAP, CHIP 0.01 DM	X721	87-A70-061-010		VIB,XTAL 4.500MHZ CSA-309
C823	87-010-197-080		CAP, CHIP 0.01 DM	X851	87-A70-091-010		VIB,XTAL 4.332MHZ CSA-309<EZ>
C828	87-010-196-080		CHIP CAPACITOR,0.1-25				
C829	87-010-196-080		CHIP CAPACITOR,0.1-25				
C859	87-010-197-080		CAP, CHIP 0.01 DM<EZ>	FRONT C.B			
C861	87-012-156-080		C-CAP,S 220P-50 CH<EZ>	C101	87-010-550-040		CAP,E 100-6.3 GAS
C862	87-012-156-080		C-CAP,S 220P-50 CH<EZ>	C102	87-010-196-080		CHIP CAPACITOR,0.1-25
C863	87-012-140-080		CAP, 470P<EZ>	C103	87-010-196-080		CHIP CAPACITOR,0.1-25
C864	87-010-405-080		CAP,ELECT 10-50V<EZ>	C104	87-010-494-040		CAP,E 1-50 GAS
C865	87-010-196-080		CHIP CAPACITOR,0.1-25<EZ>	C105	87-010-178-080		CHIP CAP 1000P
C866	87-010-405-080		CAP,ELECT 10-50V<EZ>	C106	87-A10-189-040		CAP,E 220-10
C867	87-010-197-080		CAP, CHIP 0.01 DM<EZ>	C107	87-010-197-080		CAP, CHIP 0.01 DM
C868	87-010-316-080		C-CAP,S 33P-50 CH<EZ>	C108	87-010-196-080		CHIP CAPACITOR,0.1-25
C869	87-010-134-080		C-CAP,S 22P-50V<EZ>	C109	87-018-208-080		CAP 0.047-50F
C940	87-010-197-080		CAP, CHIP 0.01 DM	C110	87-012-157-080		C-CAP,S 330P-50 CH
C942	87-010-151-080		C-CAP,S 7P-50 CH<EZ>				

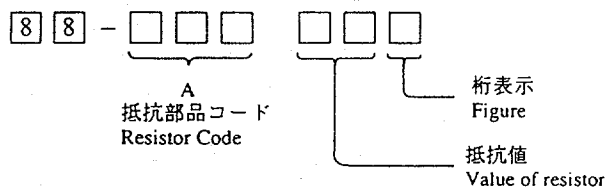
REF. NO.	PART NO.	KANRI NO.	DESCRIPTION	REF. NO.	PART NO.	KANRI NO.	DESCRIPTION
C111	87-010-320-080		CHIP CAP 68P	LED407	87-070-197-080		LED,SLP7118C-51-S-T1
C112	87-010-312-080		C-CAP,S 15P-50 CH	LED409	87-070-197-080		LED,SLP7118C-51-S-T1
C113	87-010-316-080		C-CAP,S 33P-50 CH	LED411	87-070-201-080		LED,SLP9118C-51-S-T1
C114	87-010-182-080		C-CAP,S 2200P-50 B	LED412	87-070-201-080		LED,SLP9118C-51-S-T1
C115	87-010-182-080		C-CAP,S 2200P-50 B	LED413	87-070-201-080		LED,SLP9118C-51-S-T1
C116	87-010-498-040		CAP,E 10-16 GAS	LED414	87-070-201-080		LED,SLP9118C-51-S-T1
C117	87-012-157-080		C-CAP,S 330P-50 CH	LED415	87-070-201-080		LED,SLP9118C-51-S-T1
C118	87-010-196-080		CHIP CAPACITOR,0.1-25	LED417	87-070-281-080		LED,SLZ736A-25-S-T1
C119	87-010-196-080		CHIP CAPACITOR,0.1-25	LED419	87-070-281-080		LED,SLZ736A-25-S-T1
C120	87-010-196-080		CHIP CAPACITOR,0.1-25	LED421	87-070-281-080		LED,SLZ736A-25-S-T1
C121	87-010-194-080		CAP, CHIP 0.047	LED423	87-070-281-080		LED,SLZ736A-25-S-T1
C122	87-010-194-080		CAP, CHIP 0.047	LED425	87-070-281-080		LED,SLZ736A-25-S-T1
C124	87-010-263-040		CAP,E 100-10	LED427	87-070-281-080		LED,SLZ736A-25-S-T1
C125	87-010-196-080		CHIP CAPACITOR,0.1-25	LED428	87-A40-380-080		LED,SEL6510C-TP5 GRN
C201	87-010-178-080		CHIP CAP 1000P	LED429	87-A40-380-080		LED,SEL6510C-TP5 GRN
C202	87-010-194-080		CAP, CHIP 0.047	LED430	87-A40-380-080		LED,SEL6510C-TP5 GRN
C203	87-A10-797-040		CAP,E 47-35 M 5L SRM	LED431	87-A40-380-080		LED,SEL6510C-TP5 GRN
C204	87-010-497-040		CAP,E 4.7-35 GAS	LED432	87-A40-380-080		LED,SEL6510C-TP5 GRN
C205	87-010-497-040		CAP,E 4.7-35 GAS	LED433	87-A40-380-080		LED,SEL6510C-TP5 GRN
C206	87-012-157-080		C-CAP,S 330P-50 CH	LED434	87-A40-380-080		LED,SEL6510C-TP5 GRN
C207	87-012-157-080		C-CAP,S 330P-50 CH	LED435	87-A40-380-080		LED,SEL6510C-TP5 GRN
C208	87-012-157-080		C-CAP,S 330P-50 CH	LED436	87-A40-380-080		LED,SEL6510C-TP5 GRN
C209	87-012-157-080		C-CAP,S 330P-50 CH	LED437	87-A40-380-080		LED,SEL6510C-TP5 GRN
C210	87-012-157-080		C-CAP,S 330P-50 CH	LED444	87-070-278-010		LED,SLZ-738A-24-S
C211	87-012-157-080		C-CAP,S 330P-50 CH	LED445	87-070-290-010		LED,SLZ 936-30-S
C212	87-012-157-080		C-CAP,S 330P-50 CH	LED446	87-070-278-010		LED,SLZ-738A-24-S
C213	87-012-157-080		C-CAP,S 330P-50 CH	LED447	87-070-278-010		LED,SLZ-738A-24-S
C214	87-012-157-080		C-CAP,S 330P-50 CH	LED448	87-070-290-010		LED,SLZ 936-30-S
C215	87-012-157-080		C-CAP,S 330P-50 CH	LED449	87-070-278-010		LED,SLZ-738A-24-S
C216	87-012-157-080		C-CAP,S 330P-50 CH	LED450	87-A90-825-040		LED,SLP-9131 RED
C217	87-012-157-080		C-CAP,S 330P-50 CH	LED451	87-A90-825-040		LED,SLP-9131 RED
C218	87-012-157-080		C-CAP,S 330P-50 CH	LED453	87-A90-825-040		LED,SLP-9131 RED
C371	87-010-196-080		CHIP CAPACITOR,0.1-25	LED454	87-A90-825-040		LED,SLP-9131 RED
C372	87-010-196-080		CHIP CAPACITOR,0.1-25	LED455	87-A90-825-040		LED,SLP-9131 RED
C373	87-010-196-080		CHIP CAPACITOR,0.1-25	LED456	87-A90-825-040		LED,SLP-9131 RED
C375	87-010-196-080		CHIP CAPACITOR,0.1-25	LED457	87-A90-825-040		LED,SLP-9131 RED
C376	87-010-173-080		C-CAP,S 390P-50 SL	LED458	87-A90-825-040		LED,SLP-9131 RED
C377	87-010-196-080		CHIP CAPACITOR,0.1-25	LED459	87-A90-825-040		LED,SLP-9131 RED
C378	87-010-196-080		CHIP CAPACITOR,0.1-25	S101	87-A90-791-010		SW,RTRY EC16B12204 ENCODER
C402	87-010-196-080		CHIP CAPACITOR,0.1-25	S102	87-A90-535-010		SW,RTRY EC16B24304
C404	87-010-196-080		CHIP CAPACITOR,0.1-25	S301	87-A90-095-080		SW,TACT EVQ11G04M
C406	87-010-196-080		CHIP CAPACITOR,0.1-25	S302	87-A90-095-080		SW,TACT EVQ11G04M
C408	87-010-196-080		CHIP CAPACITOR,0.1-25	S303	87-A90-095-080		SW,TACT EVQ11G04M
C601	87-010-391-040		CAP,E 10-35 SME	S304	87-A90-095-080		SW,TACT EVQ11G04M
C602	87-010-186-080		CAP,CHIP 4700P	S305	87-A90-095-080		SW,TACT EVQ11G04M
C603	87-010-498-040		CAP,E 10-16 GAS	S306	87-A90-095-080		SW,TACT EVQ11G04M
C604	87-010-382-040		CAP,E 22-25 SME	S307	87-A90-095-080		SW,TACT EVQ11G04M
C605	87-010-196-080		CHIP CAPACITOR,0.1-25	S308	87-A90-095-080		SW,TACT EVQ11G04M
C606	87-010-322-080		C-CAP,S 100P-50 CH	S309	87-A90-095-080		SW,TACT EVQ11G04M
C607	87-010-315-080		CHIP CAPACITOR,27P-50 J CH	S310	87-A90-095-080		SW,TACT EVQ11G04M
C608	87-010-196-080		CHIP CAPACITOR,0.1-25	S311	87-A90-095-080		SW,TACT EVQ11G04M
C609	87-010-545-040		CAP,E 0.22-50 SME	S312	87-A90-095-080		SW,TACT EVQ11G04M
C610	87-010-322-080		C-CAP,S 100P-50 CH<EZ>	S313	87-A90-095-080		SW,TACT EVQ11G04M<EZ>
C611	87-010-177-080		C-CAP,S 820P-50 SL	S314	87-A90-095-080		SW,TACT EVQ11G04M<EZ>
C612	87-010-176-080		C-CAP,S 680P-50 SL<EZ>	S321	87-A90-095-080		SW,TACT EVQ11G04M
C614	87-A10-189-040		CAP,E 220-10	S322	87-A90-095-080		SW,TACT EVQ11G04M
C651	87-010-401-040		CAP,E 1-50 SME	S323	87-A90-095-080		SW,TACT EVQ11G04M
C652	87-010-196-080		CHIP CAPACITOR,0.1-25	S324	87-A90-095-080		SW,TACT EVQ11G04M
C653	87-010-196-080		CHIP CAPACITOR,0.1-25	S325	87-A90-095-080		SW,TACT EVQ11G04M
FB601	87-008-372-080		FILTER, EMI BL OIRNI	S326	87-A90-095-080		SW,TACT EVQ11G04M
FC501	85-NF5-615-010		CABLE,FFC 15P-1.25<EZ>	S327	87-A90-095-080		SW,TACT EVQ11G04M
FC501	88-911-201-110		FF-CABLE,11P 1.25<U>	S331	87-A90-095-080		SW,TACT EVQ11G04M<EZ>
FC502	88-918-251-110		FF-CABLE,18P 1.25	S332	87-A90-095-080		SW,TACT EVQ11G04M<EZ>
FC801	85-NF5-618-010		CABLE,FFC 13P-1.25	S333	87-A90-095-080		SW,TACT EVQ11G04M<EZ>
FL201	88-NF7-651-010		FL,BJ602GK	S334	87-A90-095-080		SW,TACT EVQ11G04M
J601	87-A60-651-010		JACK,3.5MONO	S335	87-A90-095-080		SW,TACT EVQ11G04M
J602	87-A60-651-010		JACK,3.5MONO	S341	87-A90-095-080		SW,TACT EVQ11G04M
LED401	87-070-197-080		LED,SLP7118C-51-S-T1	S342	87-A90-095-080		SW,TACT EVQ11G04M
LED403	87-070-197-080		LED,SLP7118C-51-S-T1	S343	87-A90-095-080		SW,TACT EVQ11G04M
LED405	87-070-197-080		LED,SLP7118C-51-S-T1	S344	87-A90-095-080		SW,TACT EVQ11G04M

REF. NO.	PART NO.	KANRI NO.	DESCRIPTION	REF. NO.	PART NO.	KANRI NO.	DESCRIPTION
S345	87-A90-095-080	SW,TACT	EVQ11G04M	C415	87-010-400-080		CAP,E 0.47-50 M SME
S346	87-A90-095-080	SW,TACT	EVQ11G04M	C416	87-010-400-080		CAP,E 0.47-50 M SME
S347	87-A90-095-080	SW,TACT	EVQ11G04M	C418	87-010-401-080		CAP,E 1-50 M SME
S348	87-A90-095-080	SW,TACT	EVQ11G04M	C419	87-010-260-080		CAP,E 47-25 SME
S349	87-A90-095-080	SW,TACT	EVQ11G04M	C421	87-010-378-080		CAP,E 10-16 M SME
S350	87-A90-095-080	SW,TACT	EVQ11G04M	C422	87-010-378-080		CAP,E 10-16 M SME
X101	87-A70-070-080	VIB,CER	5.76MHZ CRHF	C501	87-010-176-080		C-CAP,S 680P-50 J SL
				C502	87-010-176-080		C-CAP,S 680P-50 J SL
				C503	87-A10-804-080		C-CAP,S 0.1-25 J B
				C504	87-A10-804-080		C-CAP,S 0.1-25 J B
SW C.B							
S351	87-A90-095-080	SW,TACT	EVQ11G04M	C505	87-A10-804-080		C-CAP,S 0.1-25 J B
S352	87-A90-095-080	SW,TACT	EVQ11G04M	C506	87-A10-804-080		C-CAP,S 0.1-25 J B
S353	87-A90-095-080	SW,TACT	EVQ11G04M	C509	87-010-112-080		CAP,E 100-16 M SME
S354	87-A90-095-080	SW,TACT	EVQ11G04M	C510	87-010-221-080		CAP,E 470-10 M SME
S355	87-A90-095-080	SW,TACT	EVQ11G04M	C511	87-A10-891-080		CAP,E 4.7-25 SME(K)
				C512	87-A10-800-080		C-CAP,S 6800P-16 J B
				C513	87-010-374-080		CAP,E 47-10 M SME
				C514	87-010-196-080		C-CAP,S 0.1-25 Z F
				C515	87-010-401-080		CAP,E 1-50 M SME
				C516	87-010-401-080		CAP,E 1-50 M SME
				C518	87-010-546-080		CAP,E 0.33-50 SME
				C519	87-010-400-080		CAP,E 0.47-50 M SME
				C520	87-010-546-080		CAP,E 0.33-50 SME
				C521	87-010-546-080		CAP,E 0.33-50 SME
				C522	87-018-209-080		CAP,TC U 0.1-50 Z F
				C524	87-010-374-080		CAP,E 47-10 M SME
				C526	87-010-196-080		C-CAP,S 0.1-25 Z F
				C530	87-010-544-080		CAP,E 0.1-50 M SME
				C531	87-010-546-080		CAP,E 0.33-50 SME
				C532	87-010-971-080		C-CAP,S 4700P-50 J B
				C533	87-012-349-080		C-CAP,S 1000P-50 J CH
				C538	87-010-971-080		C-CAP,S 4700P-50 J B
				C539	87-012-349-080		C-CAP,S 1000P-50 J CH
				C540	87-010-401-080		CAP,E 1-50 M SME
				C541	87-010-401-080		CAP,E 1-50 M SME
				C542	87-A10-799-080		C-CAP,S 5600P-16 J B
				C543	87-A10-802-080		C-CAP,S 0.047-16 J B
				C544	87-A10-229-080		C-CAP,S 0.68-10 K
				C545	87-012-393-080		C-CAP,S 0.22-16 K
				C546	87-012-393-080		C-CAP,S 0.22-16 K
				C547	87-010-404-080		CAP,E 4.7-50 M SME
				C548	87-010-404-080		CAP,E 4.7-50 M SME
				C549	87-012-393-080		C-CAP,S 0.22-16 K
				C550	87-012-393-080		C-CAP,S 0.22-16 K
				C551	87-016-081-080		C-CAP,S 0.1-16 K R
				C552	87-A10-802-080		C-CAP,S 0.047-16 J B
				C553	87-A10-802-080		C-CAP,S 0.047-16 J B
				C554	87-016-081-080		C-CAP,S 0.1-16 K R
				C555	87-016-081-080		C-CAP,S 0.1-16 K R
				C556	87-A10-801-080		C-CAP,S 0.022-16 J B
				C557	87-A10-801-080		C-CAP,S 0.022-16 J B
				C558	87-016-081-080		C-CAP,S 0.1-16 K R
				C579	87-010-402-080		CAP,E 2.2-50 M SME
				C580	87-010-402-080		CAP,E 2.2-50 M SME
				C581	87-010-196-080		C-CAP,S 0.1-25 ZF
				C601	87-010-196-080		C-CAP,S 0.1-25 Z F
				C602	87-010-196-080		C-CAP,S 0.1-25 Z F
				C603	87-010-196-080		C-CAP,S 0.1-25 Z F
				C604	87-010-196-080		C-CAP,S 0.1-25 Z F
				J201	87-A60-561-010		JACK,PIN 4P W/R,B/O
				J601	87-A60-562-010		JACK,PIN 6P W/R
				L201	87-003-383-010		COIL,1UH K
				L202	87-003-383-010		COIL,1UH K
				L301	87-003-383-010		COIL,1UH K
				R243	87-A00-258-080		RES,M/F 0.22-1W J
				R244	87-A00-258-080		RES,M/F 0.22-1W J
				R245	87-A00-258-080		RES,M/F 0.22-1W J
				R246	87-A00-258-080		RES,M/F 0.22-1W J
				R343	87-A00-258-080		RES,M/F 0.22-1W J
				R345	87-A00-258-080		RES,M/F 0.22-1W J
PRO C.B							
C101	87-012-368-080	C-CAP,S	0.1-50 Z F				
C102	87-012-368-080	C-CAP,S	0.1-50 Z F				
C103	87-010-917-090	CAP,E	3300-50 M SMG				
C104	87-010-917-090	CAP,E	3300-50 M SMG				
C105	87-010-196-080	C-CAP,S	0.1-25 Z F				
C106	87-010-196-080	C-CAP,S	0.1-25 Z F				
C109	87-010-188-080	C-CAP,S	6800P-50 K B				
C112	87-012-368-080	C-CAP,S	0.1-50 FZ				
C113	87-012-368-080	C-CAP,S	0.1-50 FZ				
C207	87-010-402-080	CAP,E	2.2-50 M SME				
C208	87-010-402-080	CAP,E	2.2-50 M SME				
C209	87-010-183-080	C-CAP,S	2700P-50 K B				
C210	87-010-183-080	C-CAP,S	2700P-50 K B				
C211	87-010-404-080	CAP,E	4.7-50 M SME				
C212	87-010-404-080	CAP,E	4.7-50 M SME				
C215	87-010-322-080	C-CAP,S	100P-50 J CH GRM				
C216	87-010-322-080	C-CAP,S	100P-50 J CH GRM				
C217	87-010-408-080	CAP,E	47-50 M SME				
C218	87-010-408-080	CAP,E	47-50 M SME				
C219	87-A10-596-080	C-CAP,S	100P-100 J CH				
C220	87-A10-596-080	C-CAP,S	100P-100 J CH				
C221	87-A10-899-080	CAP,E	47-25 M BP				
C222	87-A10-899-080	CAP,E	47-25 M BP				
C223	87-010-544-080	CAP,E	0.1-50 M SME				
C224	87-010-544-080	CAP,E	0.1-50 M SME				
C225	87-010-993-080	C-CAP,S	0.056-25 K B				
C226	87-010-993-080	C-CAP,S	0.056-25 K B				
C227	87-010-196-080	C-CAP,S	0.1-25 Z F				
C228	87-010-196-080	C-CAP,S	0.1-25 Z F				
C233	87-010-263-080	CAP,E	100-10 SME				
C234	87-010-263-080	CAP,E	100-10 SME				
C307	87-010-402-080	CAP,E	2.2-50 M SME				
C309	87-010-183-080	C-CAP,	2700P-50 K B				
C311	87-010-404-080	CAP,E	4.7-50 M SME				
C315	87-010-322-080	C-CAP,S	100P-50 J CH GRM				
C317	87-010-406-080	CAP,E	22-50 M SME				
C319	87-A10-812-080	C-CAP,S	220P-200 J C				
C321	87-A10-899-080	CAP,E	47-25 M BP				
C323	87-010-544-080	CAP,E	0.1-50 M SME				
C325	87-010-993-080	C-CAP,S	0.056-25 K B				
C327	87-010-196-080	C-CAP,S	0.1-25 Z F				
C333	87-010-263-080	CAP,E	100-10 SME				
C400	87-010-378-080	CAP,E	10-16 M SME				
C401	87-010-374-080	CAP,E	47-10 M SME				
C402	87-010-196-080	C-CAP,S	0.1-25 Z F				
C403	87-010-154-080	C-CAP,S	10P-50 D CH				
C404	87-010-374-080	CAP,E	47-10 M SME				
C405	87-010-196-080	C-CAP,S	0.1-25 Z F				
C407	87-010-154-080	C-CAP,S	10P-50 D CH				
C408	87-010-545-080	CAP,E	0.22-50 M SME				
C410	87-010-546-080	CAP,E	0.33-50 SME				
C413	87-010-196-080	C-CAP,S	0.1-25 Z F				

REF. NO.	PART NO.	KANRI NO.	DESCRIPTION	REF. NO.	PART NO.	KANRI NO.	DESCRIPTION
R509	87-022-214-080		C-RES,S 100K-1/10W F				
AC1 C.B				DECK C.B			
△ F101	87-035-490-010		FUSE,5A 125V T 237<U>	CON105	87-099-756-019		CONN, 15P 9604 S F<EZ>
△ F101	87-035-367-010		FUSE,3.15A 250 VT <EZ>	CON105	87-099-753-019		CONN, 11P H 9604<U>
△ FC101	87-A90-505-080		FUSE CLAMP,TP00351-51	SFR1	87-024-581-019		SFR,3.3K DIA 6H
△ FC102	87-A90-505-080		FUSE CLAMP,TP00351-51	SOL1	82-ZM1-618-410		SOL ASSY, 27
△ PT101	88-NFU-661-010		PT,8NF-U U<U>	SOL2	82-ZM1-618-410		SOL ASSY, 27
△ PT101	88-NFU-665-010		PT,8NF-U EZ<EZ>	SW1	87-A90-248-019		SW,MICRO ESE11SH2CXQ
△ T101	87-A60-317-010		TERMINAL, 1P MSC	SW2	87-A90-248-019		SW,MICRO ESE11SH2CXQ
△ T102	87-A60-317-010		TERMINAL, 1P MSC	SW3	87-A90-248-019		SW,MICRO ESE11SH2CXQ
AC2 C.B				SW4	87-036-110-010		SW,MICRO SPPB62<EZ>
△ PR101	87-026-682-080		PROTECTOR,10A 60V491<EZ>	SW4	87-A90-248-019		SW,MICRO ESE11SH2CXQ<U>
△ PR101	87-026-691-080		FUSE,10A 125V 251<U>	SW5	87-036-110-010		SW,MICRO SPPB62<EZ>
△ PR102	87-026-682-080		PROTECTOR,10A 60V491<EZ>	SW5	87-A90-248-019		SW,MICRO ESE11SH2CXQ<U>
△ PR102	87-026-691-080		FUSE,10A 125V 251<U>	SW6	87-036-110-010		SW,MICRO SPPB62<EZ>
△ PR103	87-026-682-080		PROTECTOR,10A 60V491<EZ>	SW8	87-A90-248-019		SW,MICRO ESE11SH2CXQ<EZ>
△ PR103	87-026-691-080		FUSE,10A 125V 251<U>	SW9	87-A90-248-019		SW,MICRO ESE11SH2CXQ<EZ>
△ PR104	87-026-682-080		PROTECTOR,10A 60V491<EZ>	W001	82-ZM3-601-019		RBN,CORD,4P-75
△ PR104	87-026-691-080		FUSE,10A 125V 251<U>	HEAD-1 C.B			
△ PR105	87-A90-195-080		PROTECTOR,7A 491 SERIES 60V<EZ>	CON301	85-MA2-615-010		CON ASSY,3P-PB<U>
△ PR105	87-A90-210-080		FUSE,7A 125V 251<U>	HEAD-2 C.B			
△ PR106	87-A90-195-080		PROTECTOR,7A 491 SERIES 60V<EZ>	CON351	87-NF6-616-010		CONN ASSY,8P-RPB<EZ>
△ PR106	87-A90-210-080		FUSE,7A 125V 251<U>				

○ チップ抵抗部品コード / CHIP RESISTOR PART CODE

チップ抵抗部品コードの成り立ち
Chip Resistor Part Coding



チップ抵抗
Chip resistor

容量 Wattage	種類 Type	許容誤差 Tolerance	記号 Symbol	寸法 / Dimensions (mm)			抵抗コード : A Resistor Code: A	
				外形 / Form	L	W		t
1/16W	1608	±5%	CJ		1.6	0.8	0.45	108
1/10W	2125	±5%	CJ		2	1.25	0.45	118
1/8W	3216	±5%	CJ		3.2	1.6	0.55	128

TRANSISTOR ILLUSTRATION



E C B

KTA1266GR
KTC3198GR



E C B

CC5551



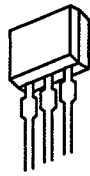
E C B

2SA1296



B C E

2SB1344
2SB1370
2SB1625
2SB1626
2SD2025
2SD2494
2SD2495



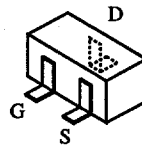
E C B

2SA933
2SC4115

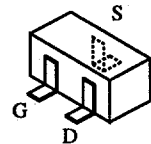


G D S

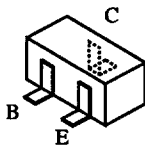
2SK3053



2SK2158



2SK543-TB(4/5)

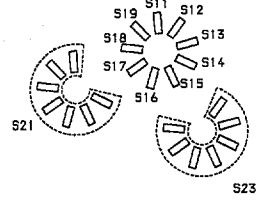
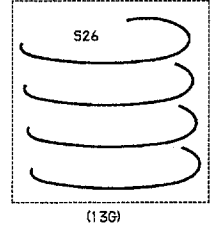
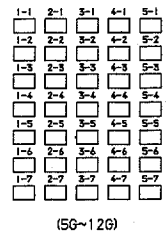
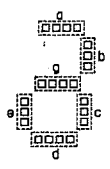
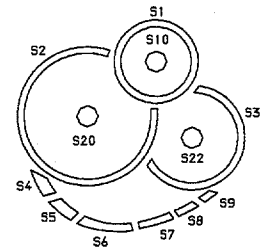
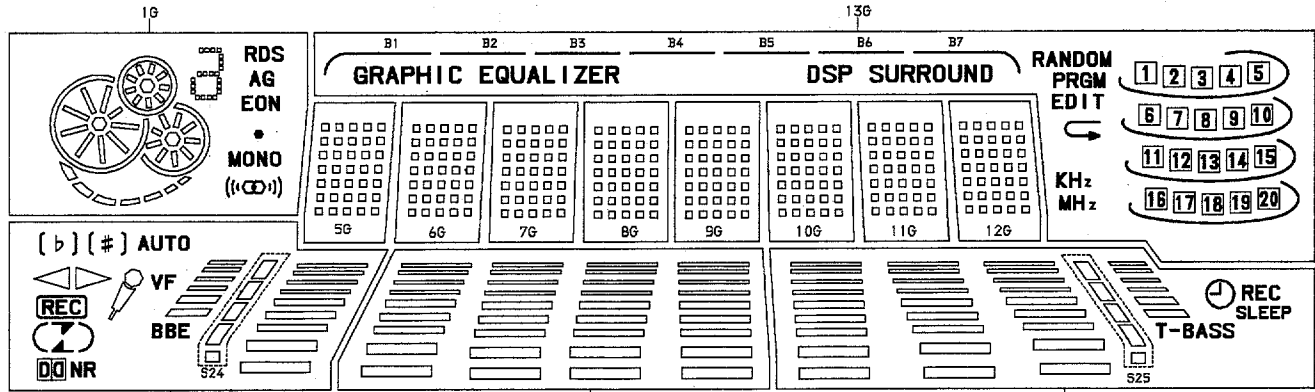


2SA1235F	DTC143TK
2SC2714	DTC144WK
2SC3052F	RN1410
CMBT5401	RT1N141C
CMBT5551	RT1N144C
CSA1362GR	RT1N441C
CSD1306E	RT1P141C
DTA123EKA	RT1P144C
DTA123JK	RT1P441C

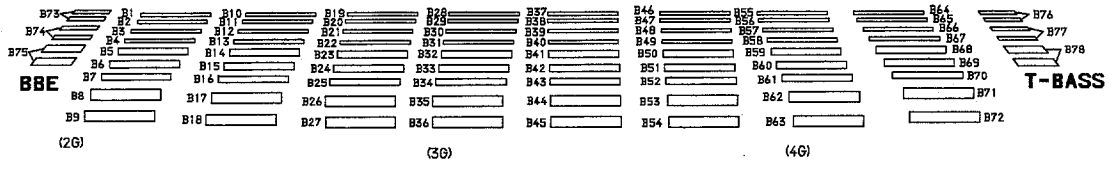
FL GRID ASSIGNMENT & ANODE CONNECTION

FL, BJ602GK



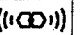
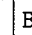




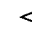


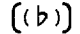
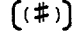
GRID ASSIGNMENT

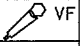


(1G)

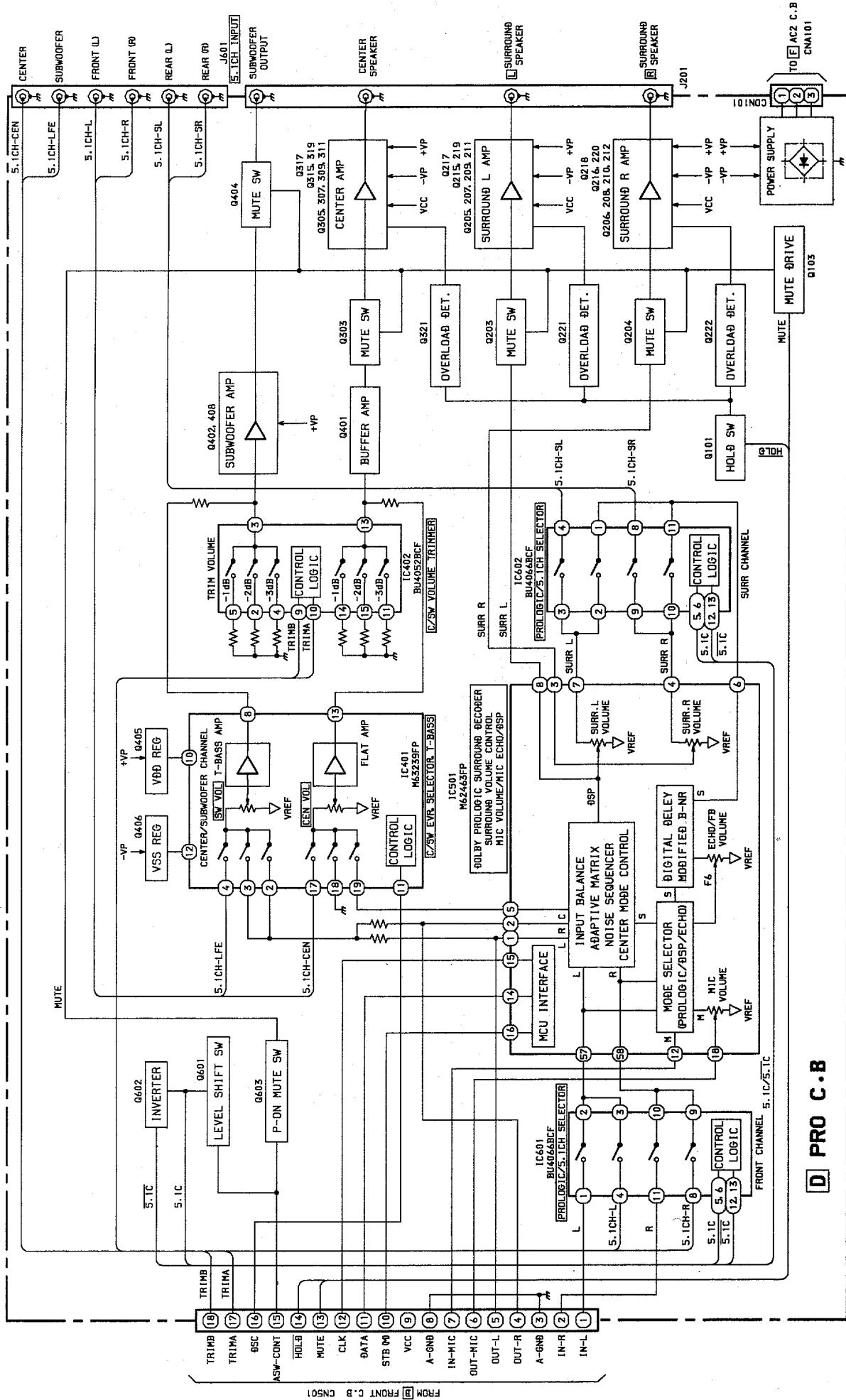


ANODE CONNECTION

	1G	2G	3G	4G	5G-12G	13G
P1	EON	B9	B45	REC	1-1	DSP SURROUND
P2	AG	 NR	B36	B72	2-1	GRAPHIC EQUALIZER
P3		BBE	B27	B63	3-1	B7
P4	MONO	S24	B18	B54	4-1	B6
P5		B8	B44		5-1	B5
P6	RDS		B35	B71	1-2	B4
P7	b		B26	B62	2-2	B3
P8	c		B17	B53	3-2	B2
P9	a, d, g	B7	B43	SLEEP	4-2	B1
P10	e	 REC	B34	B70	5-2	RANDOM
P11	S1		B25	B61	1-3	PRGM
P12	S11		B16	B52	2-3	EDIT
P13	S12	B6	B42	T-BASS	3-3	
P14	S19	b #	B33	B69	4-3	KHz
P15	S13		B24	B60	5-3	MHz
P16	S10		B15	B51	1-4	S26
P17	S18	B5	B41	B78	2-4	16
P18	S14	B75	B32	B68	3-4	11

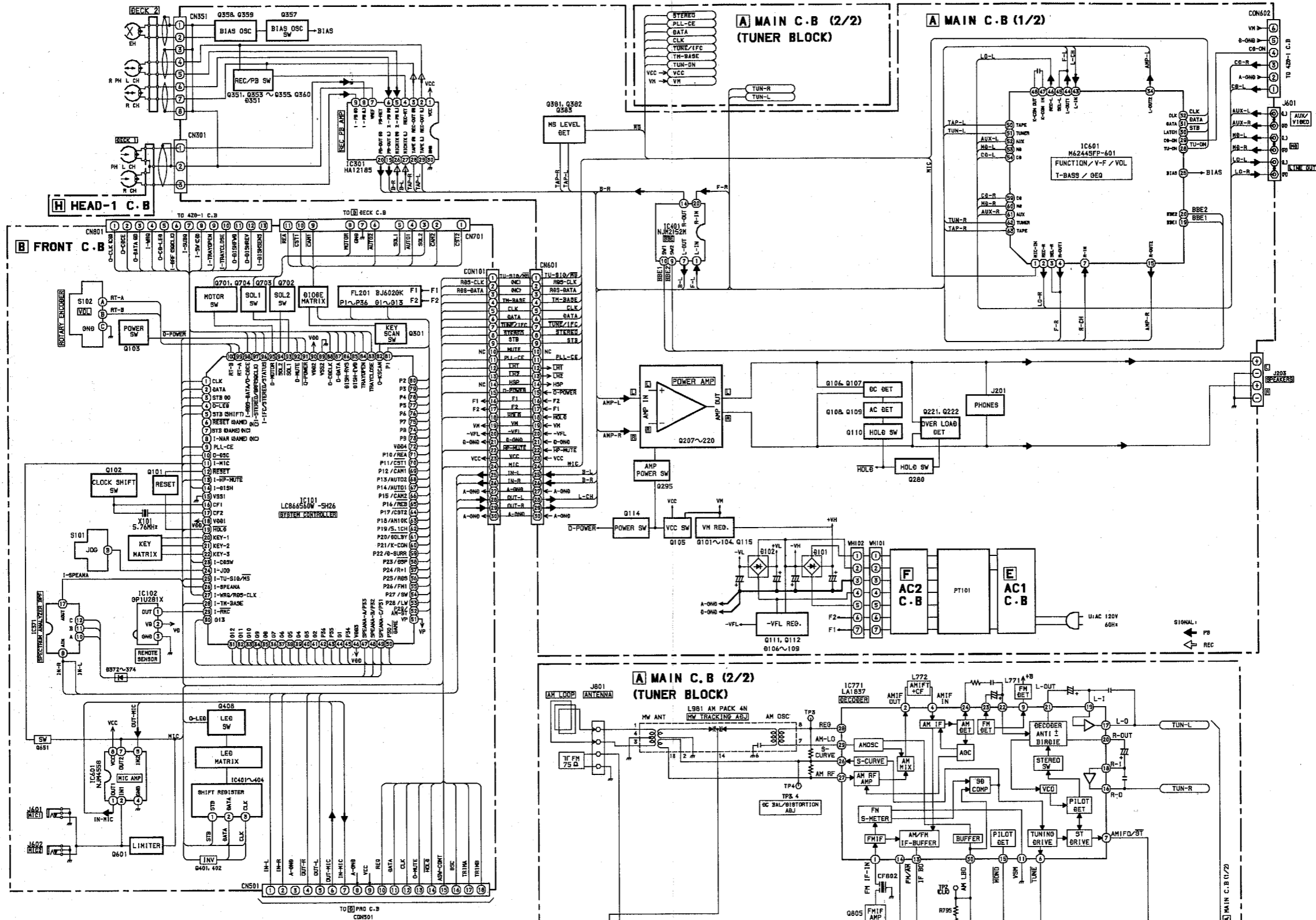
	1G	2G	3G	4G	5G-12G	13G
P19	S17	B74	B23	B59	4-4	6
P20	S15	B73	B14	B50	5-4	1
P21	S16	B4	B40	B77	1-5	17
P22	S3	 VF	B31	B67	2-5	12
P23	S23	AUTO	B22	B58	3-5	7
P24	S22	—	B13	B49	4-5	2
P25	S9	B3	B39	B76	5-5	18
P26	S8	—	B30	B66	1-6	13
P27	S7	—	B21	B57	2-6	8
P28	S6	—	B12	B48	3-6	3
P29	S5	B2	B38	S25	4-6	19
P30	S4	—	B29	B65	5-6	14
P31	S2	—	B20	B56	1-7	9
P32	S21	—	B11	B47	2-7	4
P33	S20	B1	B37	—	3-7	20
P34	—	—	B28	B64	4-7	15
P35	—	—	B19	B55	5-7	10
P36	—	—	B10	B46	—	5

BLOCK DIAGRAM - 1 (PRO)

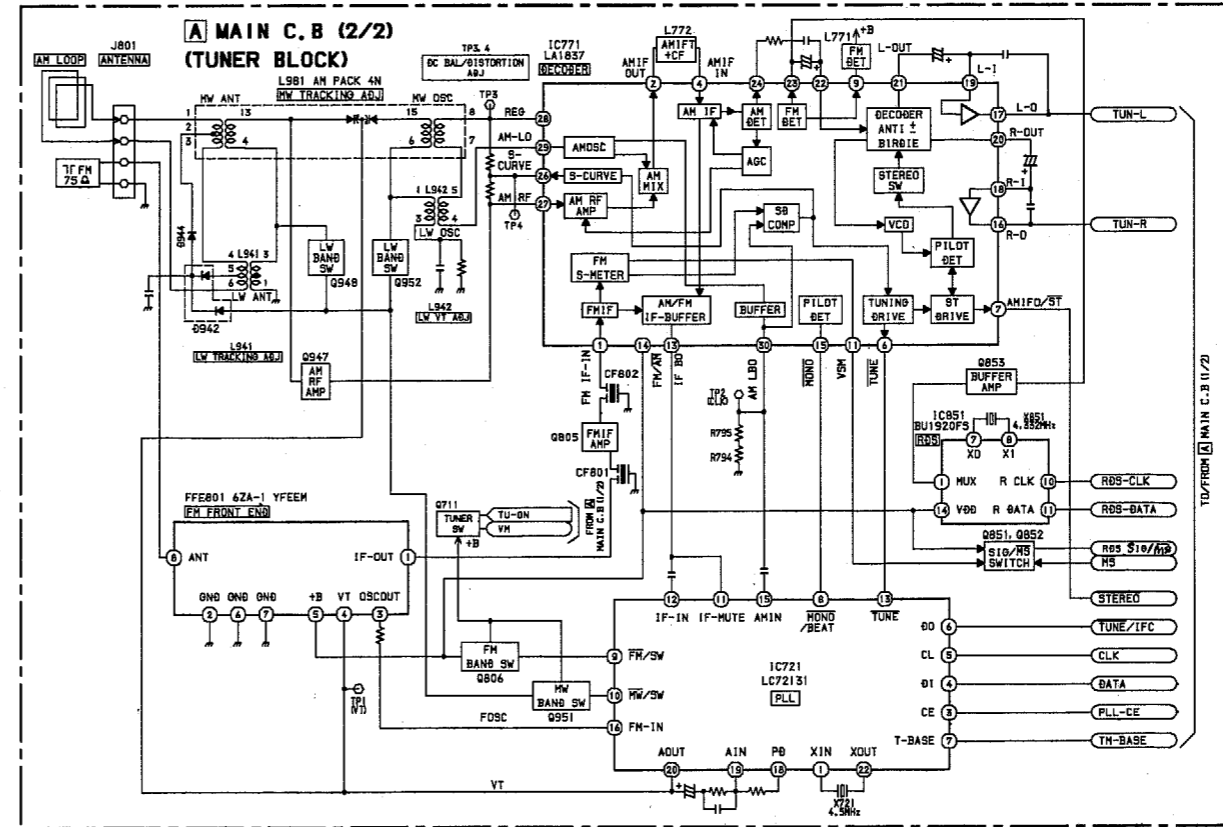
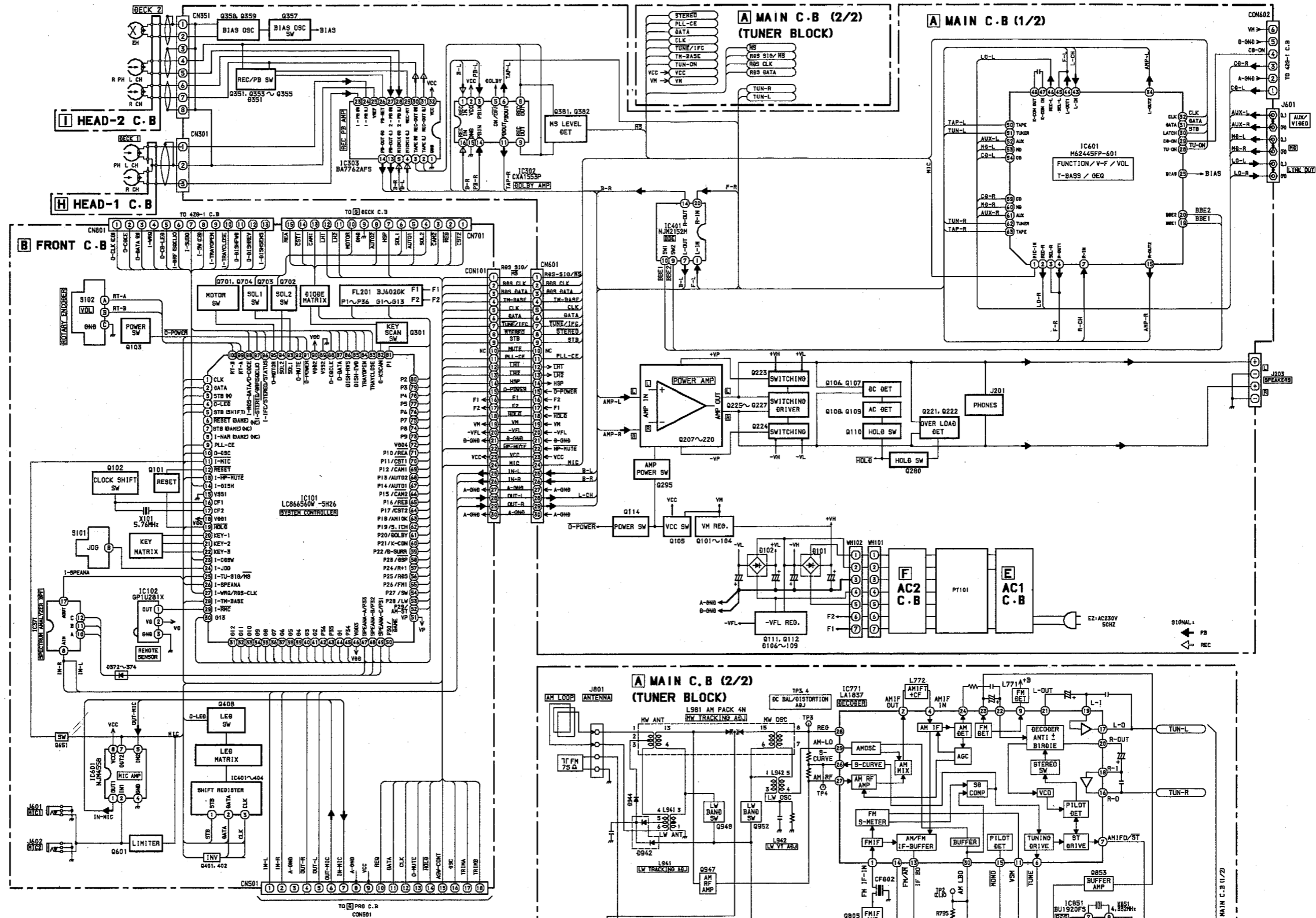


FROM FRONT C.B. CNS01

BLOCK DIAGRAM - 2 (U : MAIN / FRONT)



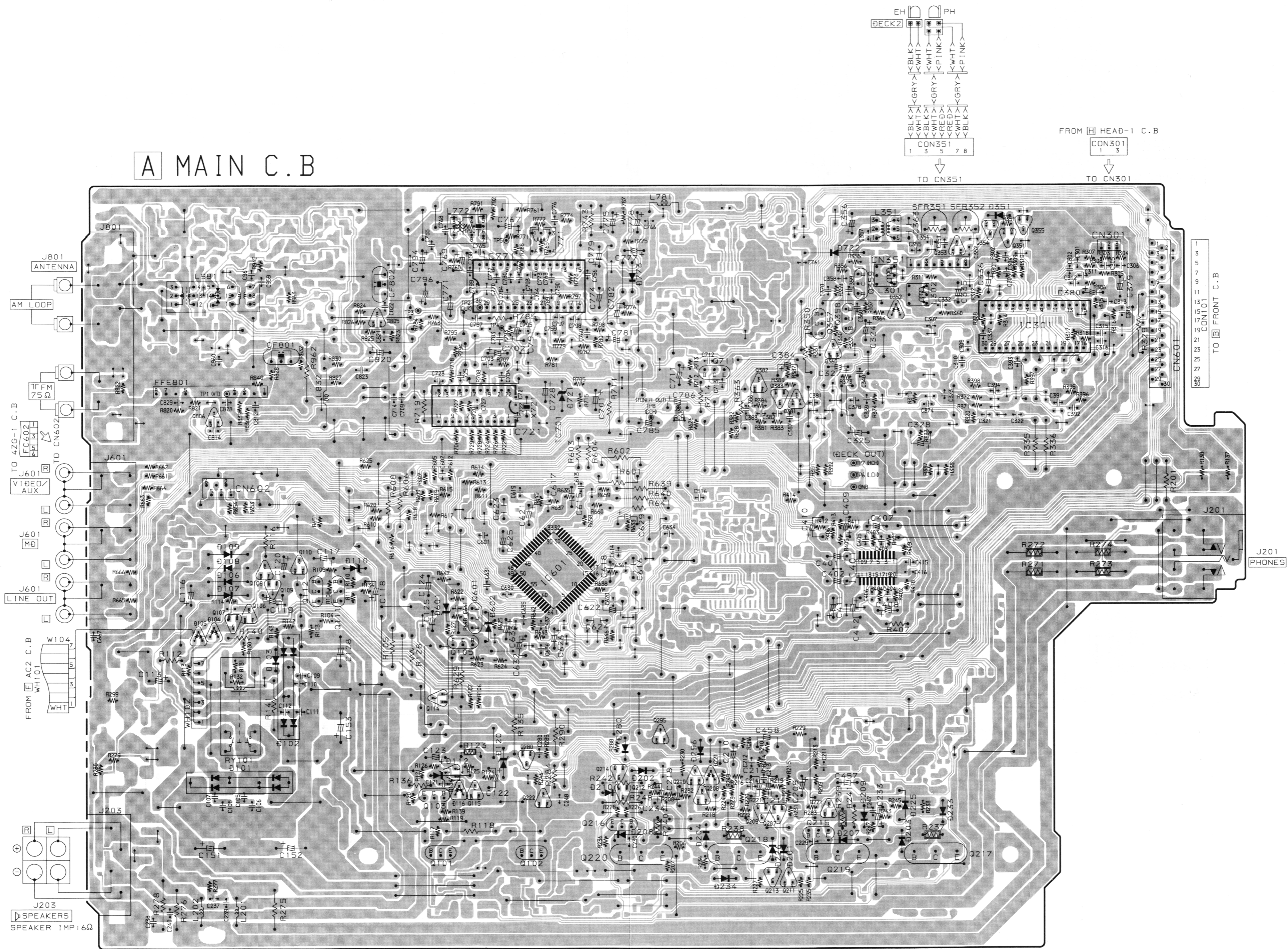
BLOCK DIAGRAM - 3 (EZ : MAIN / FRONT)

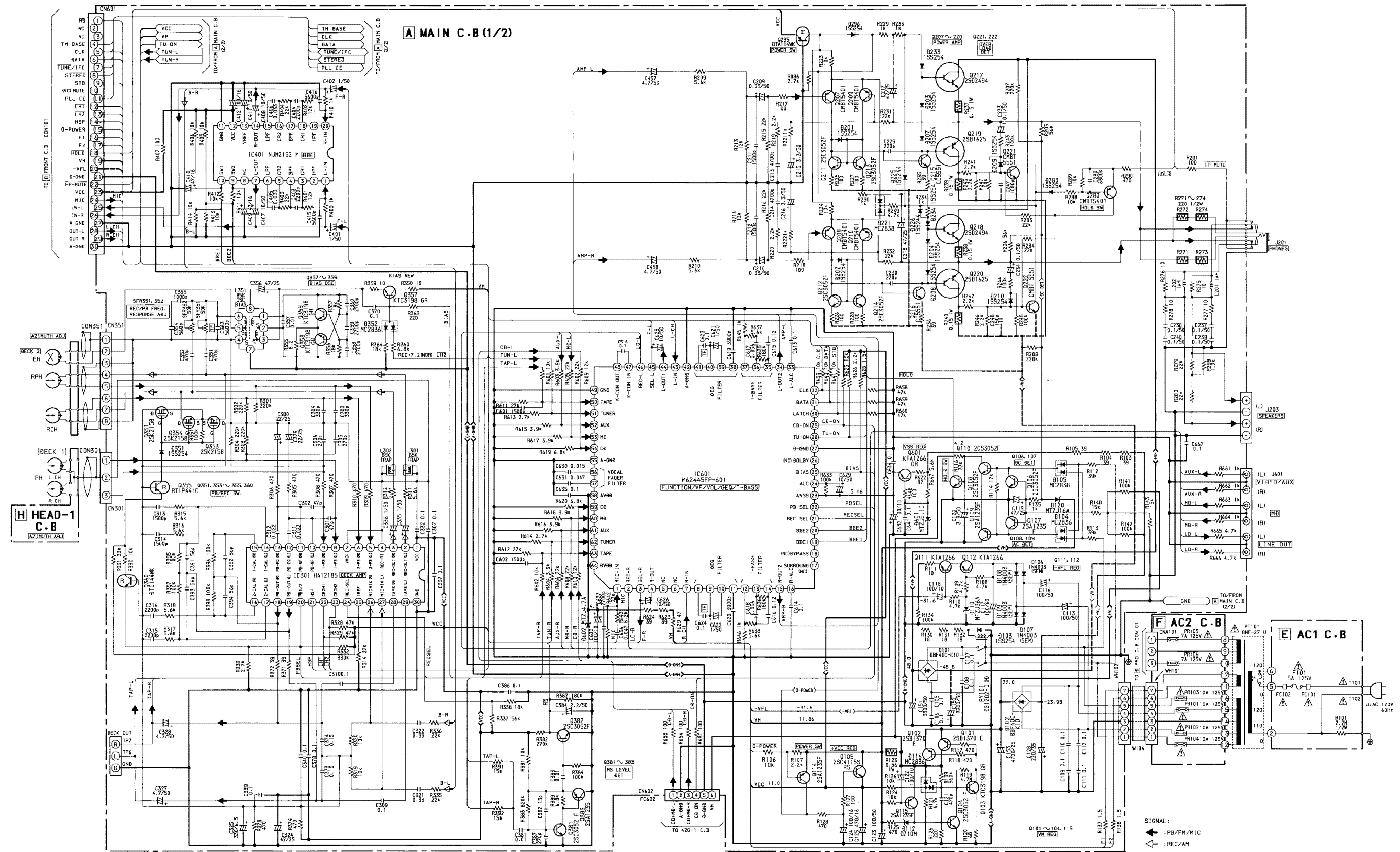


1 2 3 4 5 6 7 8 9 10 11 12 13 14

A
B
C
D
E
F
G
H
I
J

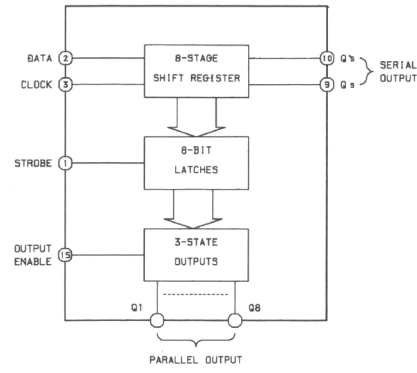
A MAIN C.B





IC BLOCK DIAGRAM - 1

IC, BU4094BCF

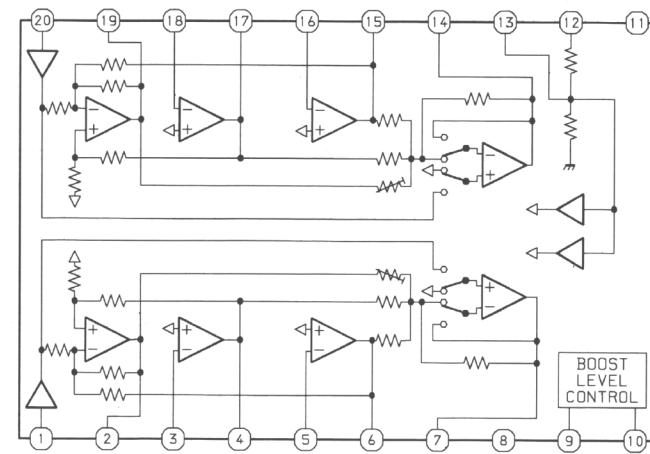


TRUTH TABLE

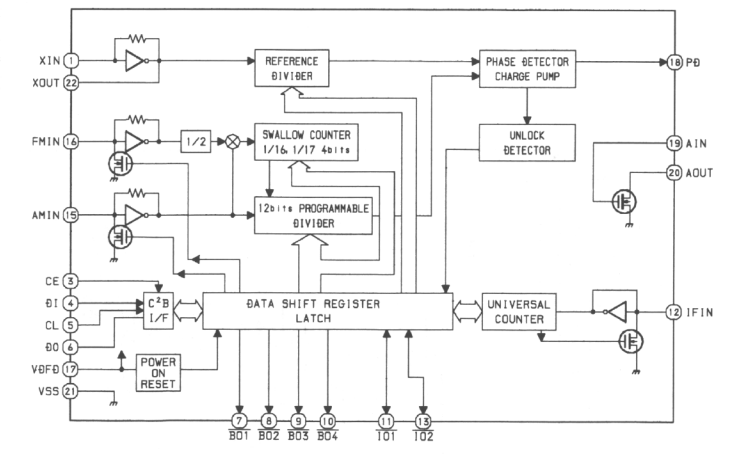
CLOCK	OUTPUT ENABLE	STROBE	DATA	PARALLEL OUTPUTS		SERIAL OUTPUTS	
				Q1	Qn	Q*	Q'n
L	X	X	X	Z	Z	Q7	NO CHG.
L	X	X	Z	Z	Z	NO CHG.	Q*
H	L	X	NO CHG.	NO CHG.	Q7	NO CHG.	NO CHG.
H	H	L	L	Qn-1	Q7	NO CHG.	NO CHG.
H	H	H	H	Qn-1	Q7	NO CHG.	NO CHG.
H	X	X	NO CHG.	NO CHG.	NO CHG.	NO CHG.	Q*

Z=High Impedance
X=Don't Care

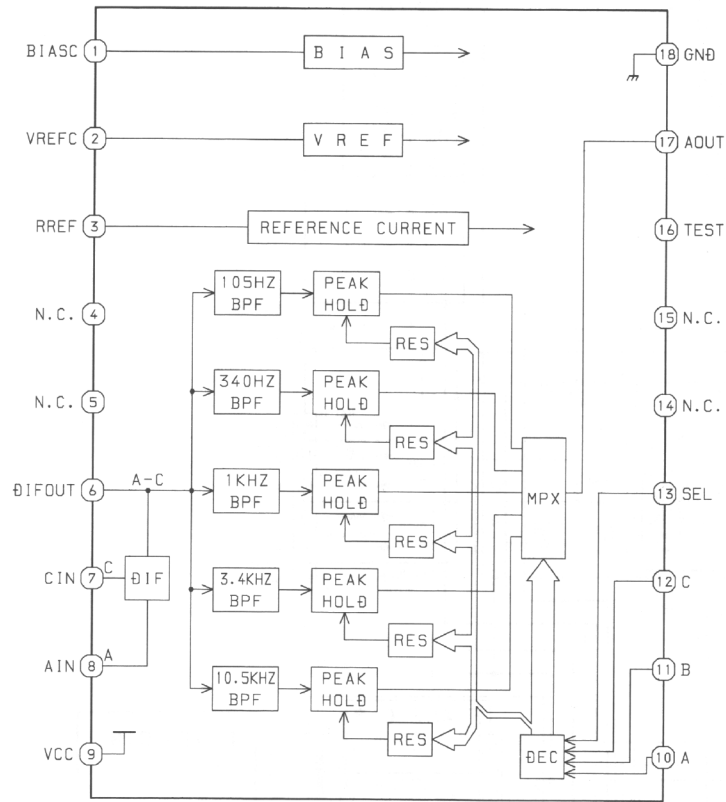
IC, NJM2152M



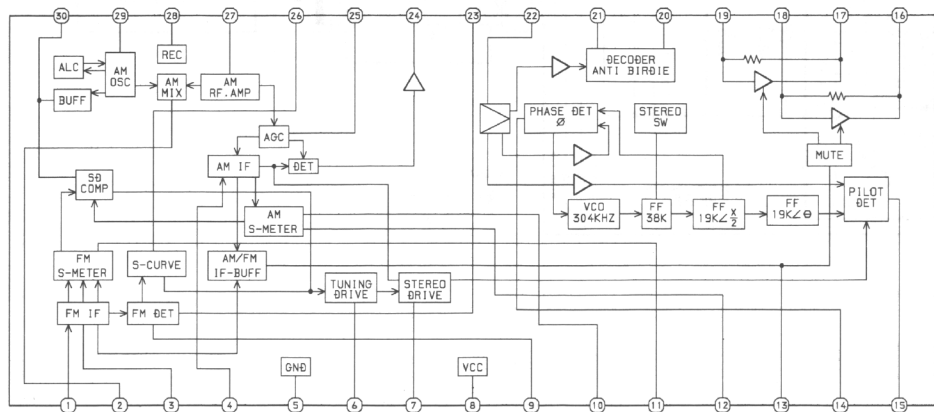
IC, LC72131D



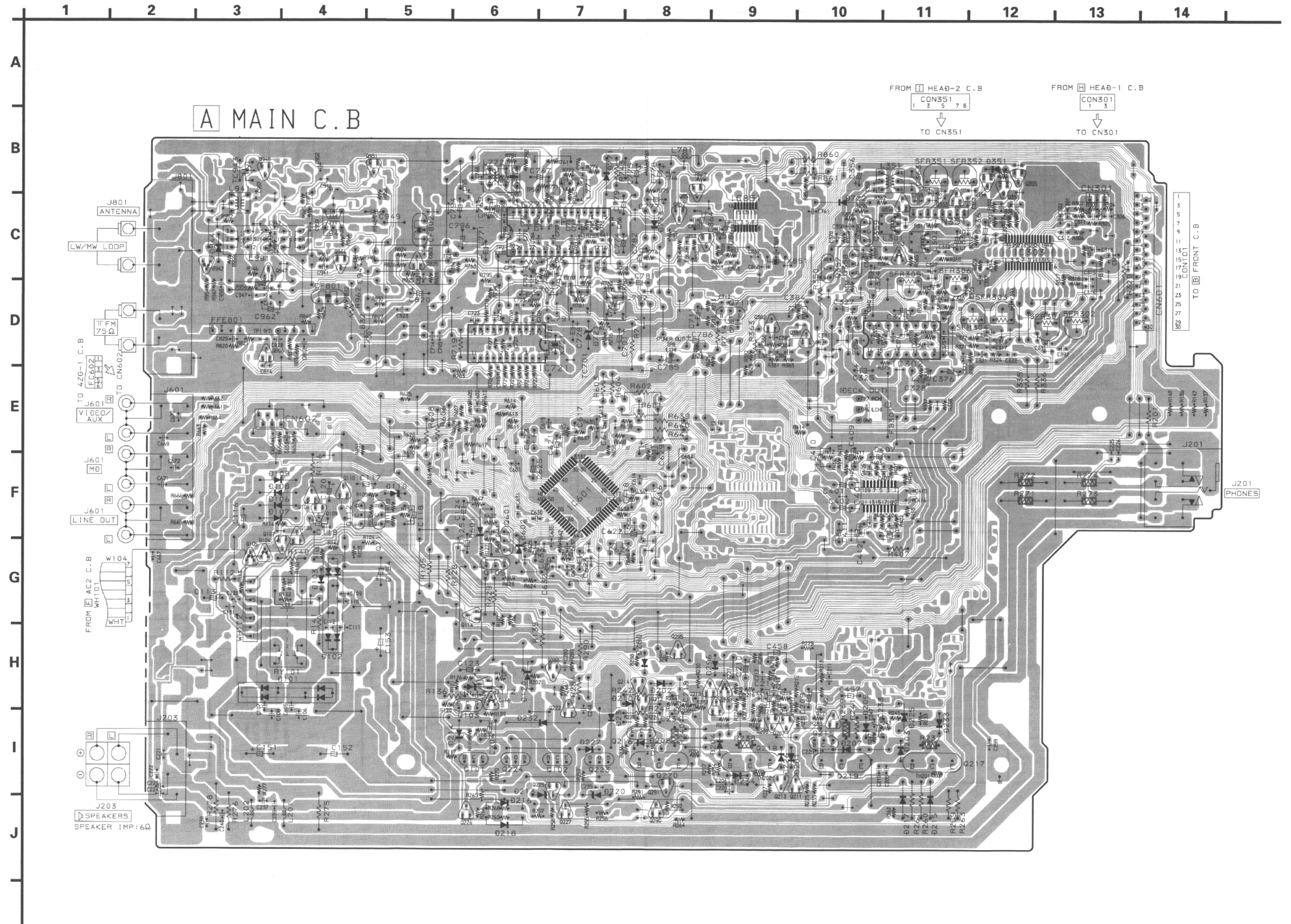
IC, BA3835S

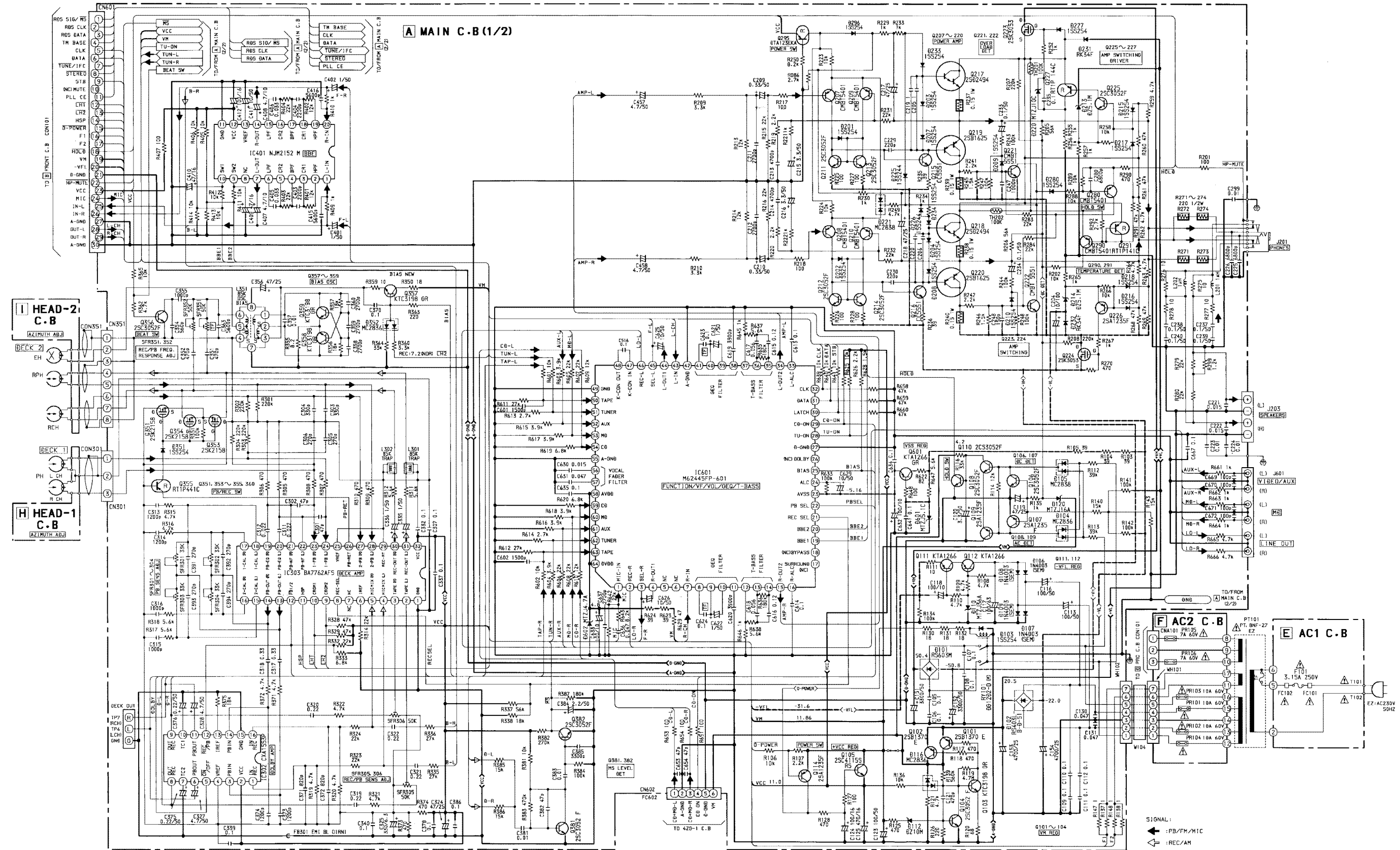


IC, LA1837



WIRING - 2 (EZ: MAIN)



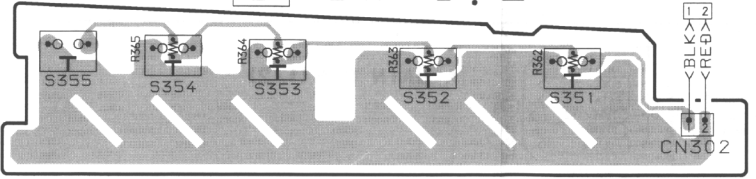


1 2 3 4 5 6 7 8 9 10 11 12 13 14 15 16 17 18 19 20

A
B
C
D
E
F
G
H
I
J
K
L
M
N

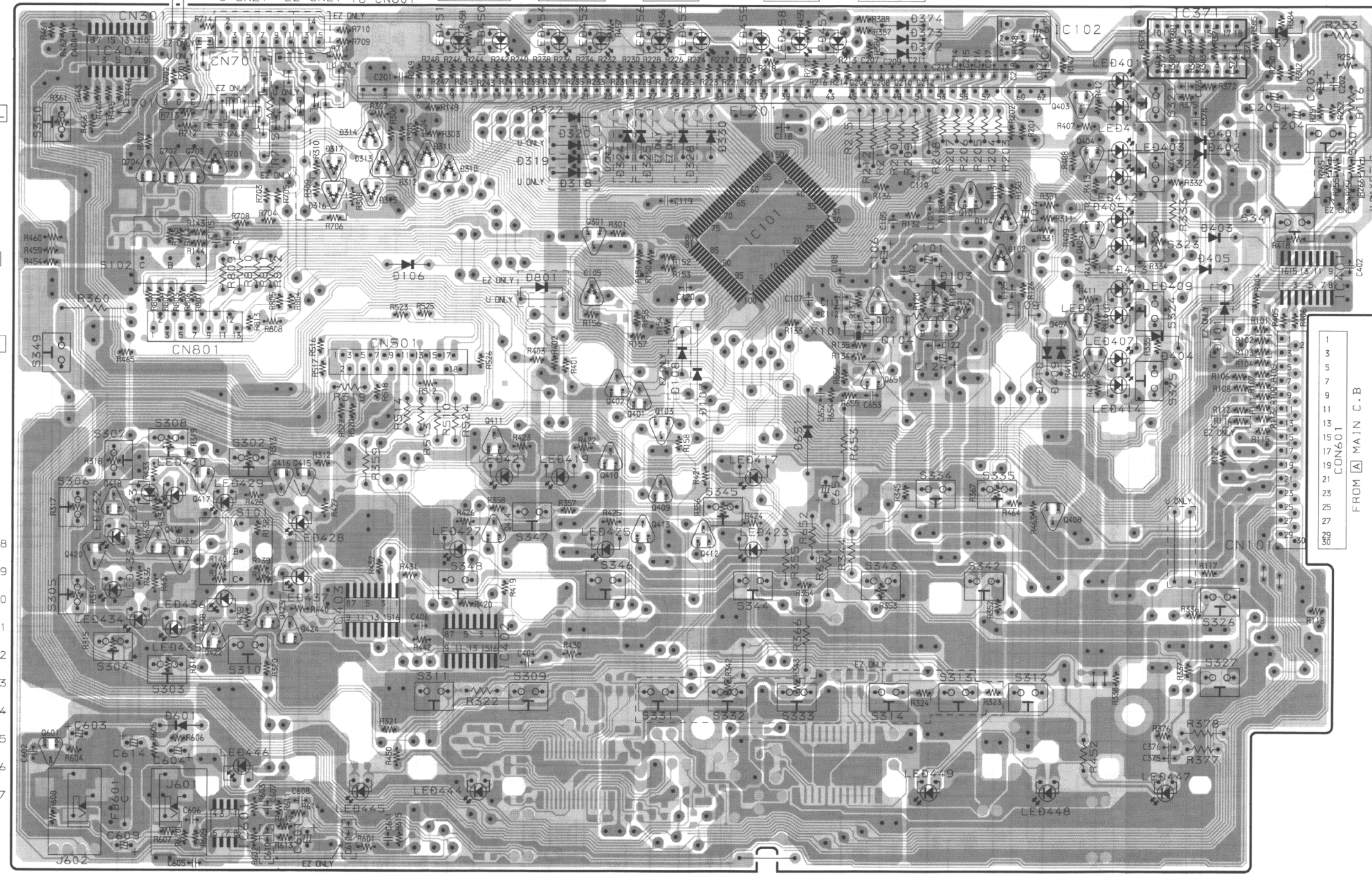
C SW C.B FROM FRONT C.B
CN301
CN302

B FRONT C.B



TO SW C.B TO DECK C.B
CN302 CON502
FC701 1 3 5 7 9 11 13
FC801 1 3 5 7 9 11 13
FROM 42G-1 C.B
U ONLY - EZ ONLY TO CN801

LED450, 451 3 STEREO
LED453, 454 PHANTOM
LED455, 456 NORMAL
LED457, 458, 459 D-SURR
FL201 DISPLAY

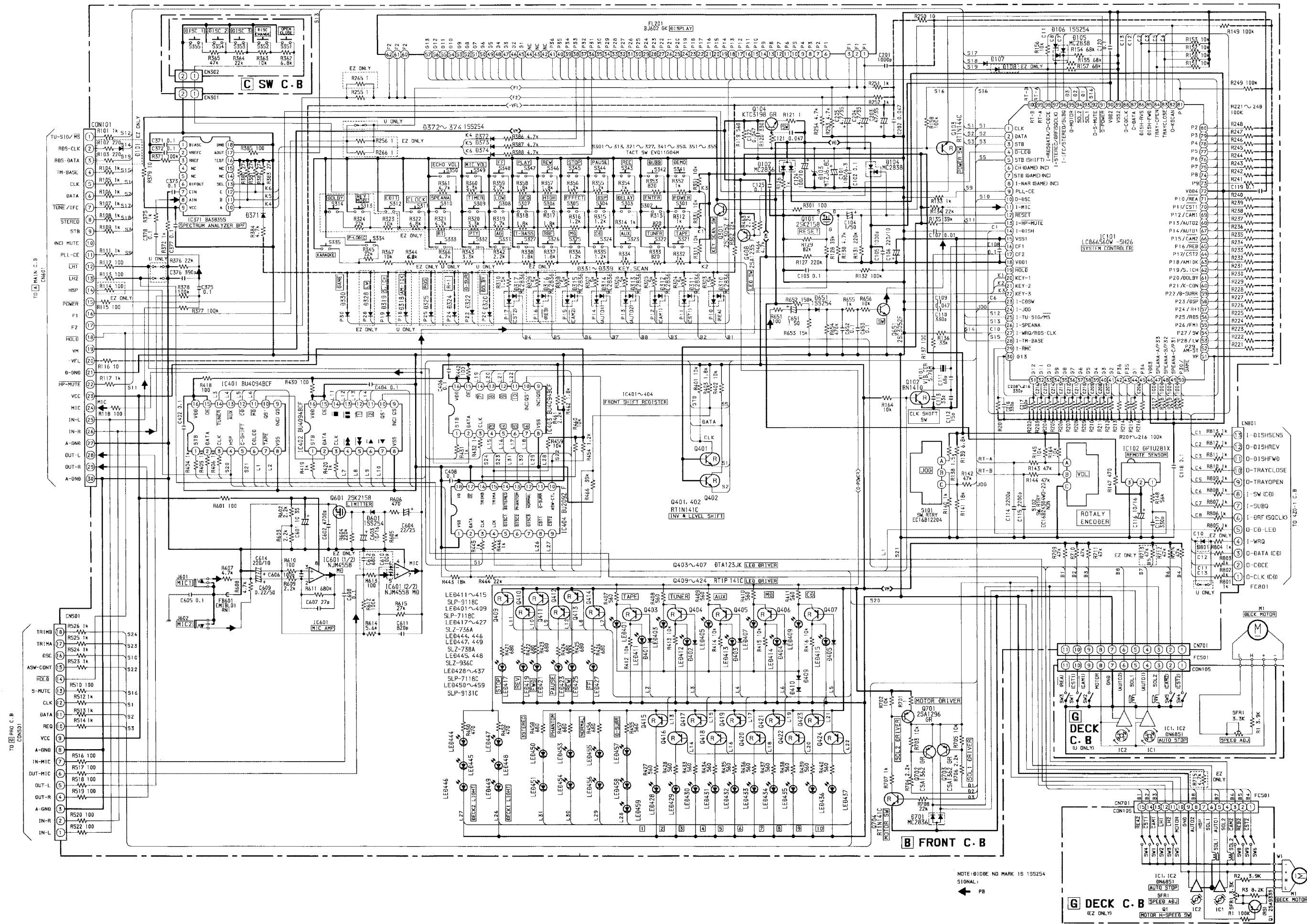


- S301
POWER
STANDBY/ON
 - LED401, 411
S321
TAPE/
DECK 1/2
 - LED403, 412
S322
TUNER/BAND
 - LED405, 413
S323
VIDEO/AUX
 - LED409, 415
S324
[CD]
 - LED407, 414
S325
[MD]
 - S341
[DEMO]
- FUNCTION

- S350
ECHO-VOL
- S102
VOLUME
- S349
MIC-VOL
- S302
ENTER
- S308
LOW
- S307
GEQ
- S306
HIGH
- S101
MULTI JOG
- LED428
1
- LED429
2
- S305
EFFECT
- S304
DSP
- S310
SPEANA
- S303
DELAY
- LED430
3
- LED431
4
- LED432
5
- LED433
6
- LED434
7
- LED435
8
- LED436
9
- LED437
10

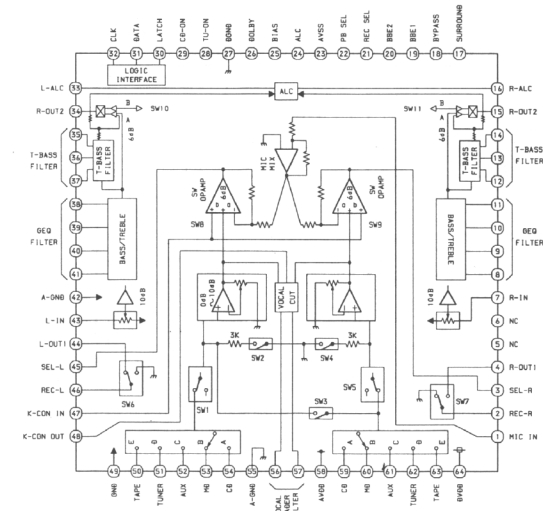
- J602 MIC2
- J601 MIC1
- LED446, 445, 444
DECK2 LIGHT
- TO CN501
- FC502
1 3 5 7 9 11 13 15 17 18
FROM PRO C.B
CON501
- S311 CLOCK
- S309 TIMER
- LED419, 421
S347
DIRECTION/
PRESET
- LED427
S348
UP
- LED425
S346
DOWN
- LED417
S345
CLEAR
- S334 DOLBY
PRO LOGIC
- S335 KARAOKE
- LED449, 448, 447
DECK1 LIGHT
- LED423
S344
SET
- S333 EZ ONLY
- S314 DOLBY NR
- S313 REV MODE
- S312 CD EDIT/CHECK
- S326 BBE
- S327 T-BASS
- S331 AG
- S332 PTY
- S333 RT
- S314 DOLBY NR
- S313 REV MODE
- S312 CD EDIT/CHECK
- S326 BBE
- S327 T-BASS

FROM MAIN C.B
CN401

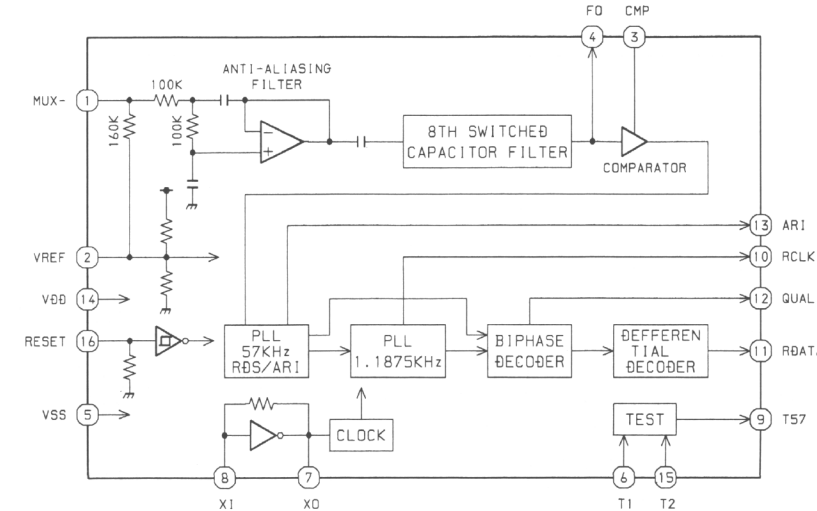


IC BLOCK DIAGRAM - 2

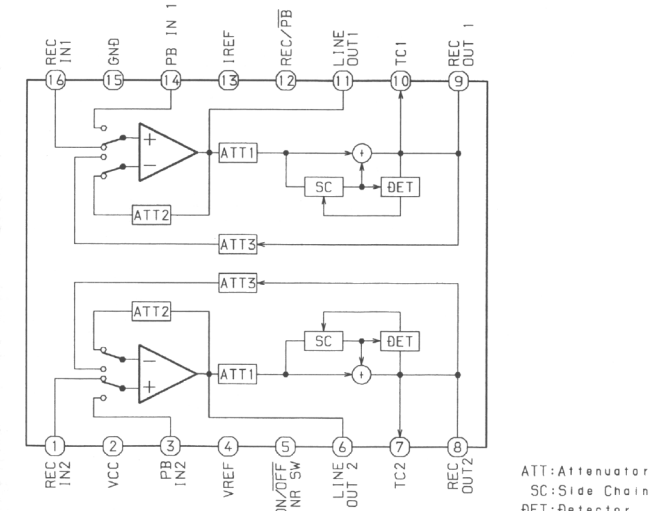
IC, M62445FP-601



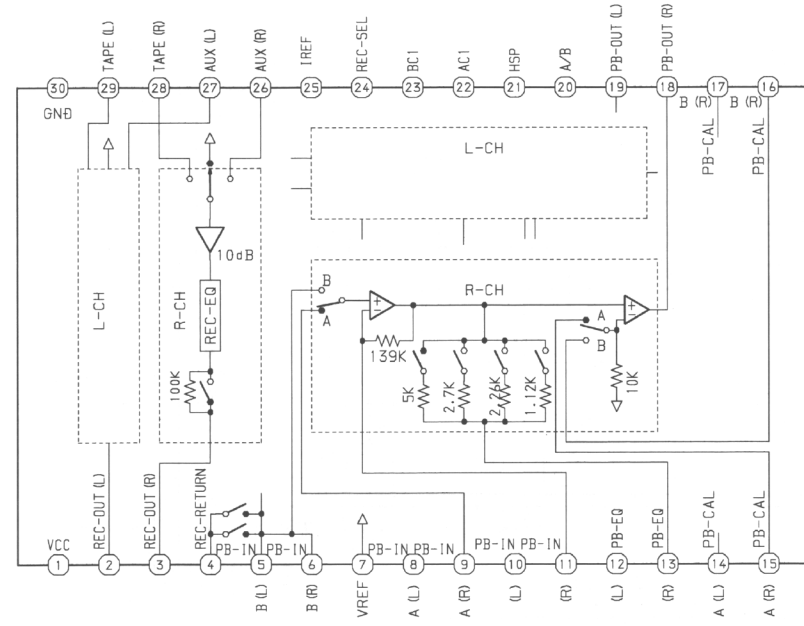
IC, BU1920FS



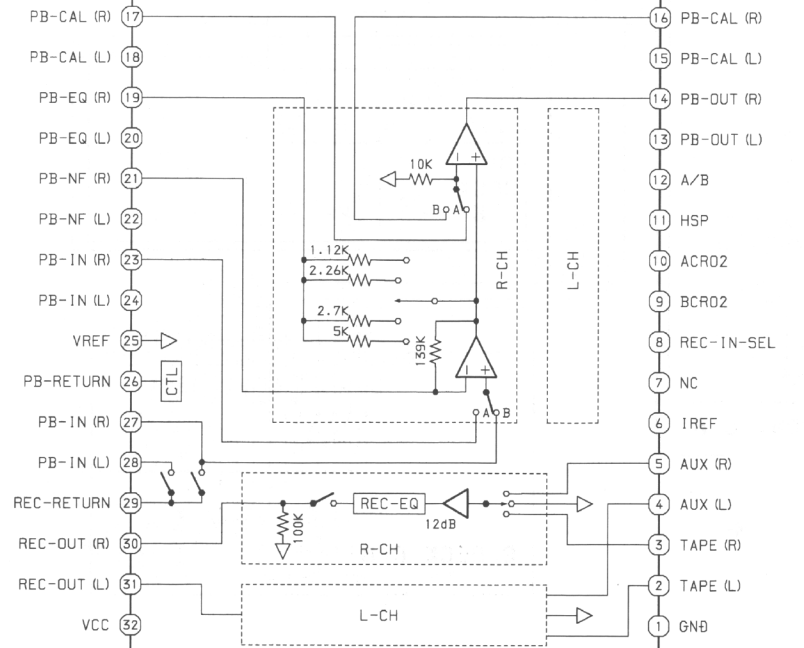
IC, CXA1533P



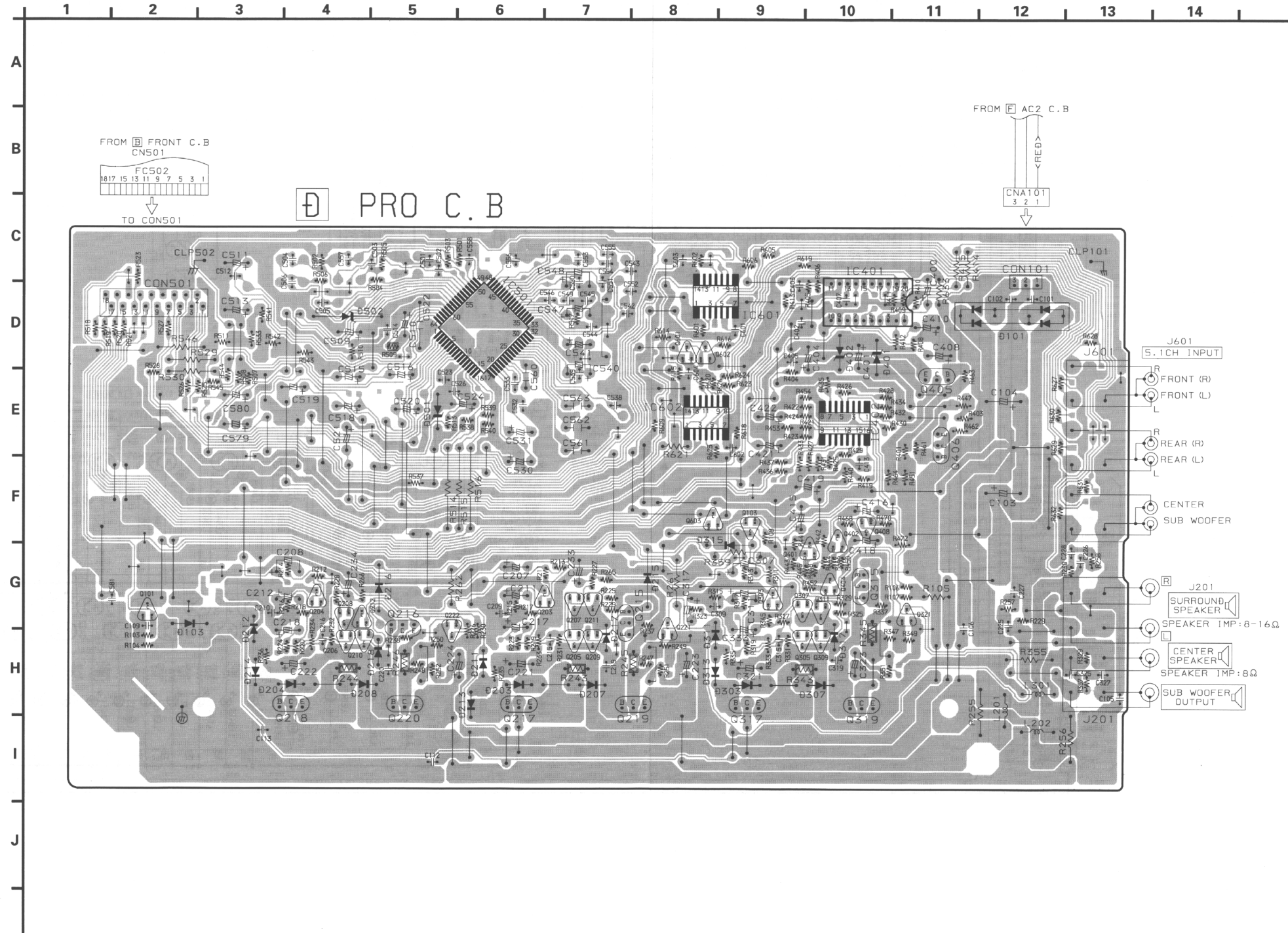
IC, HA12185NT



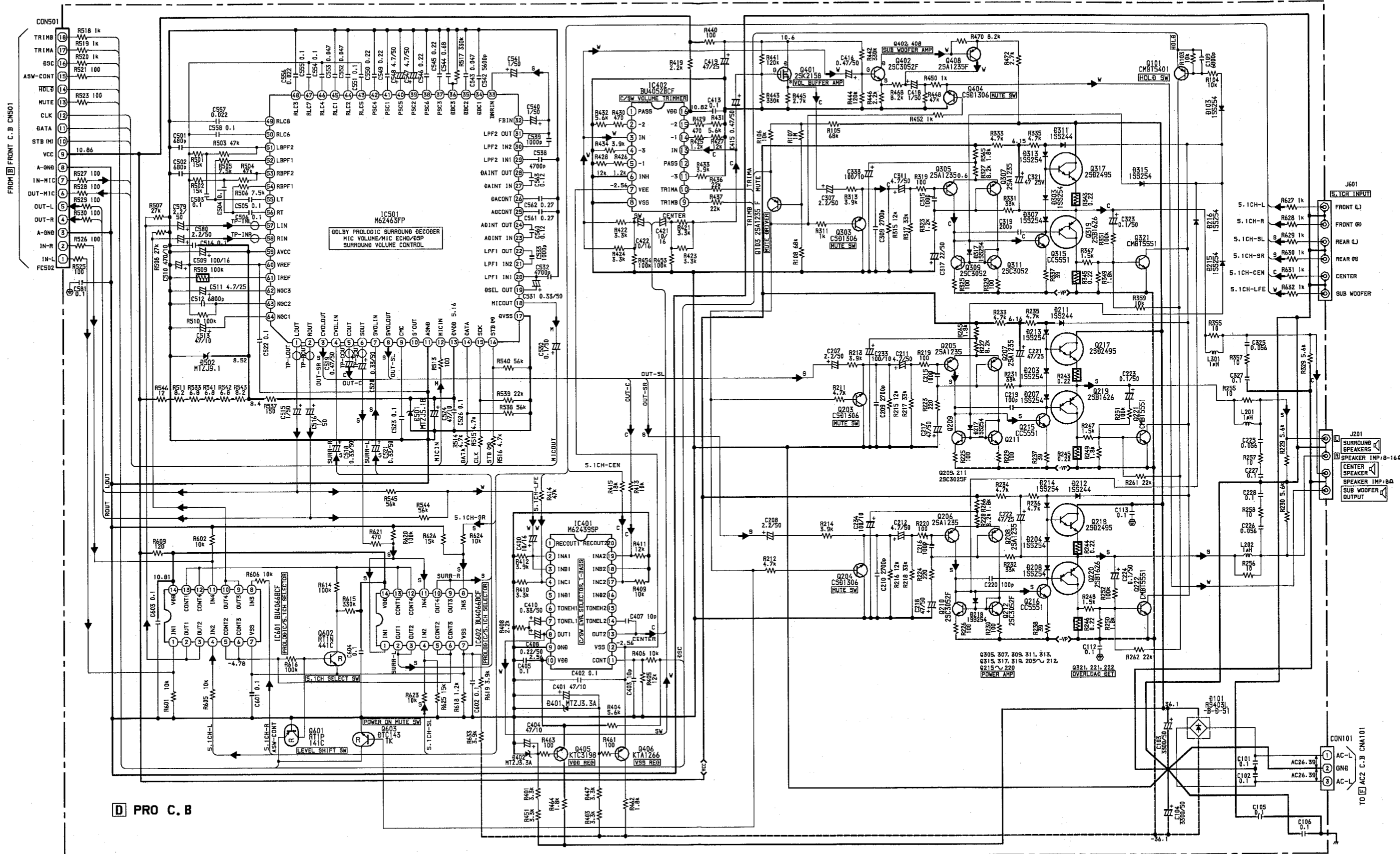
IC, BA7762AFS



WIRING - 4 (PRO)



SCHEMATIC DIAGRAM - 4 (PRO)



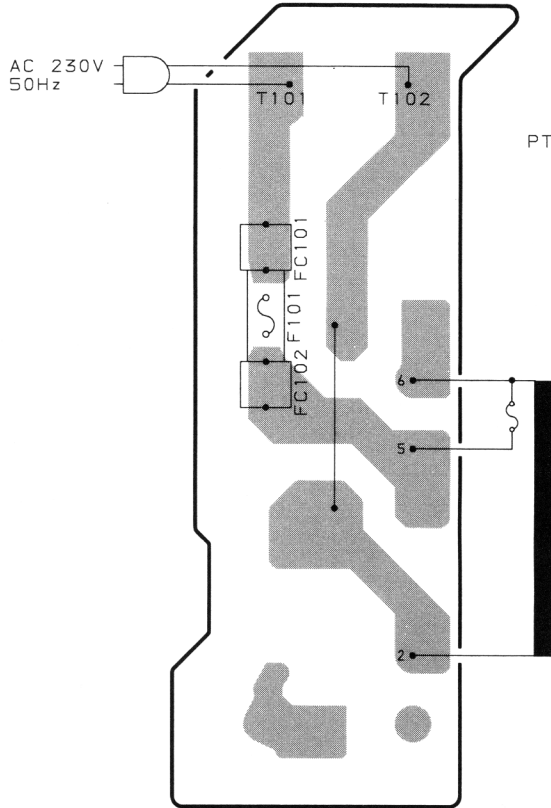
D PRO C. B

SIGNAL:
 FRONT LINE
 SURROUND LINE
 CENTER LINE
 SUB WOOFER LINE
 MIC LINE

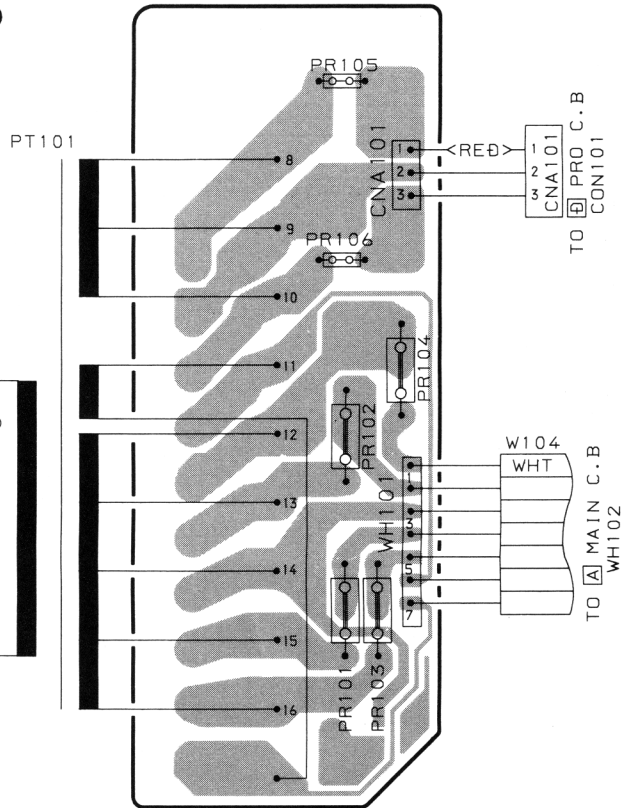
1 2 3 4 5 6 7

A
B
C
D
E
F
G
H
I
J

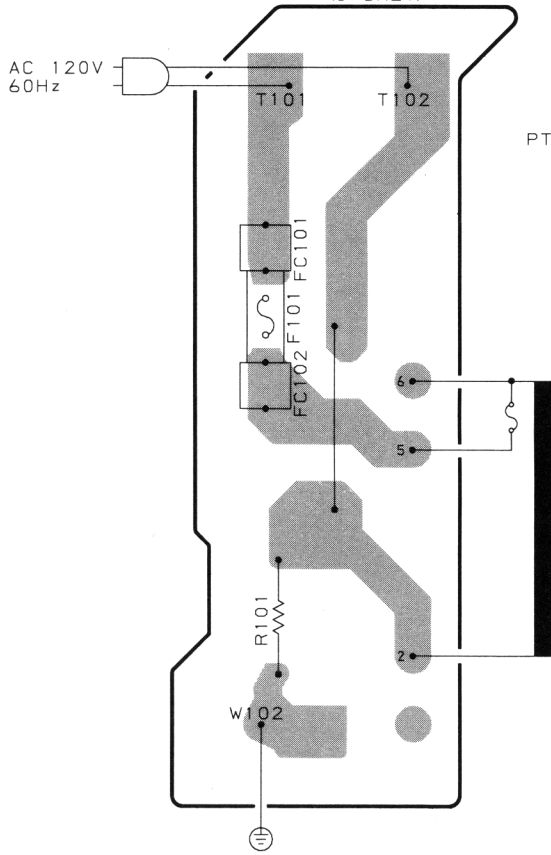
E AC1 C.B
(EZ ONLY)



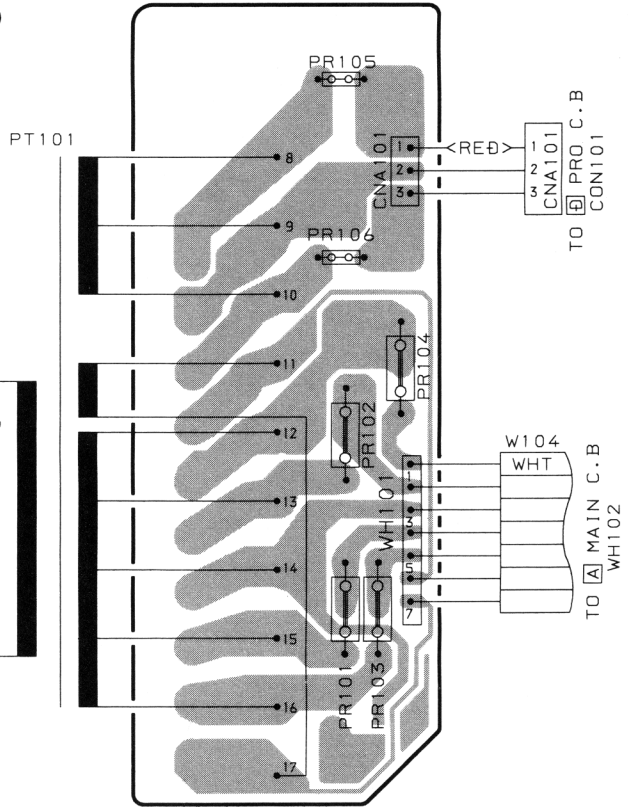
F AC2 C.B
(EZ ONLY)



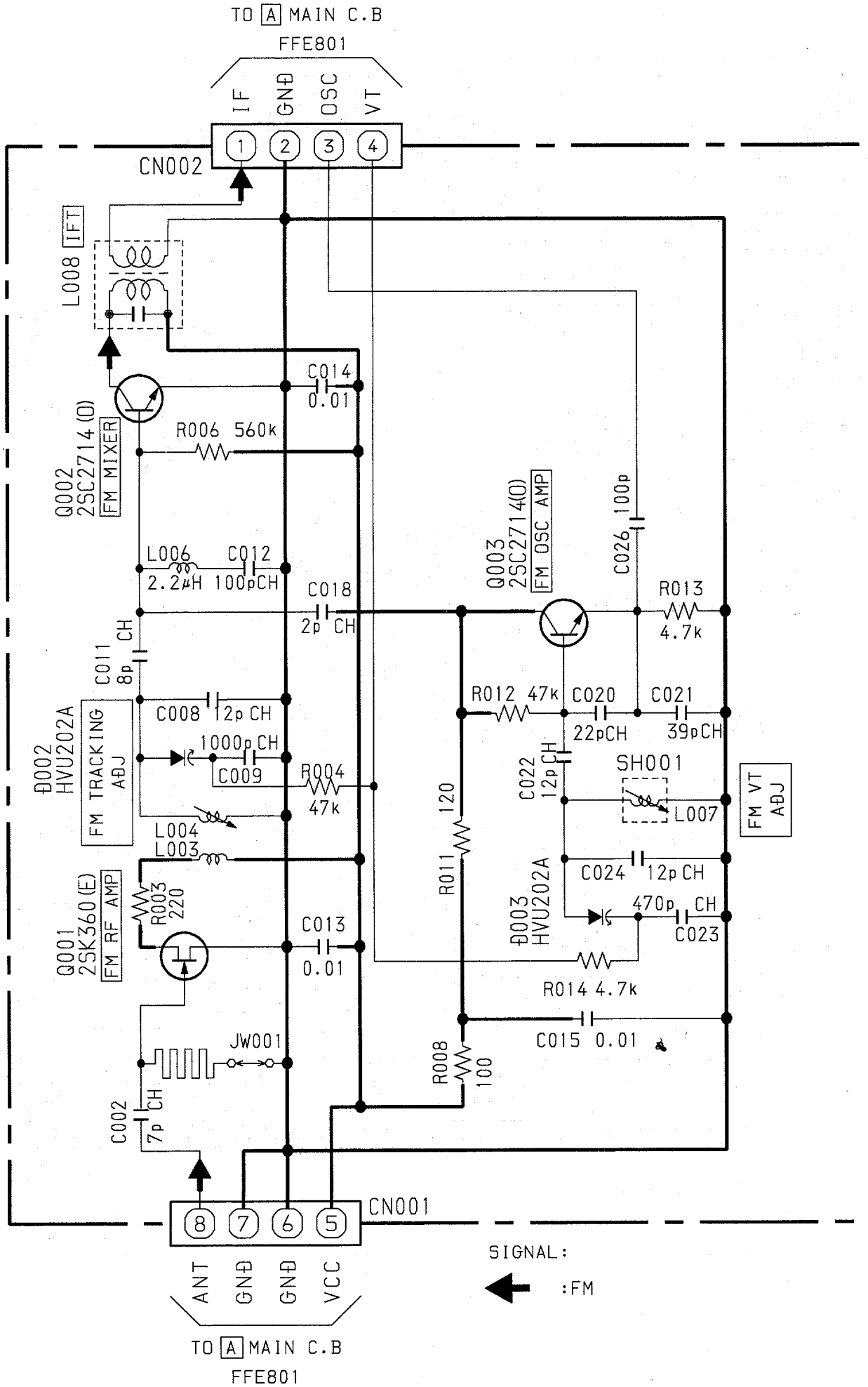
E AC1 C.B
(U ONLY)



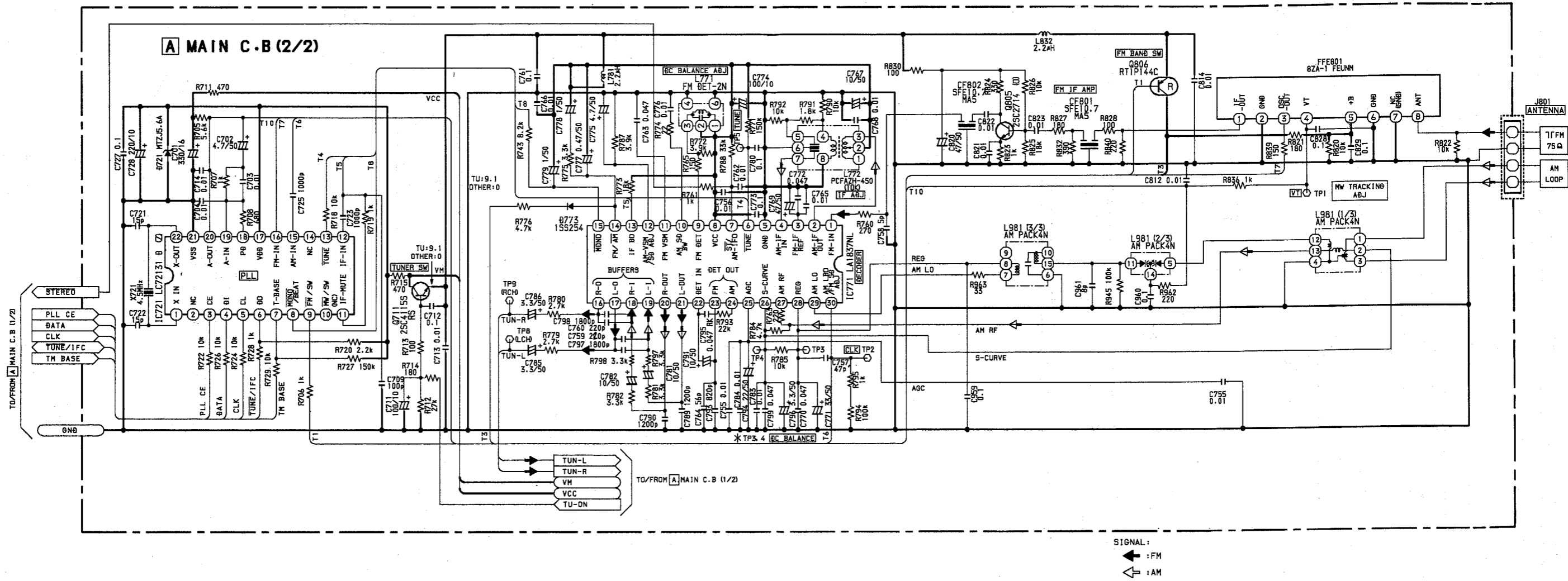
F AC2 C.B
(U ONLY)

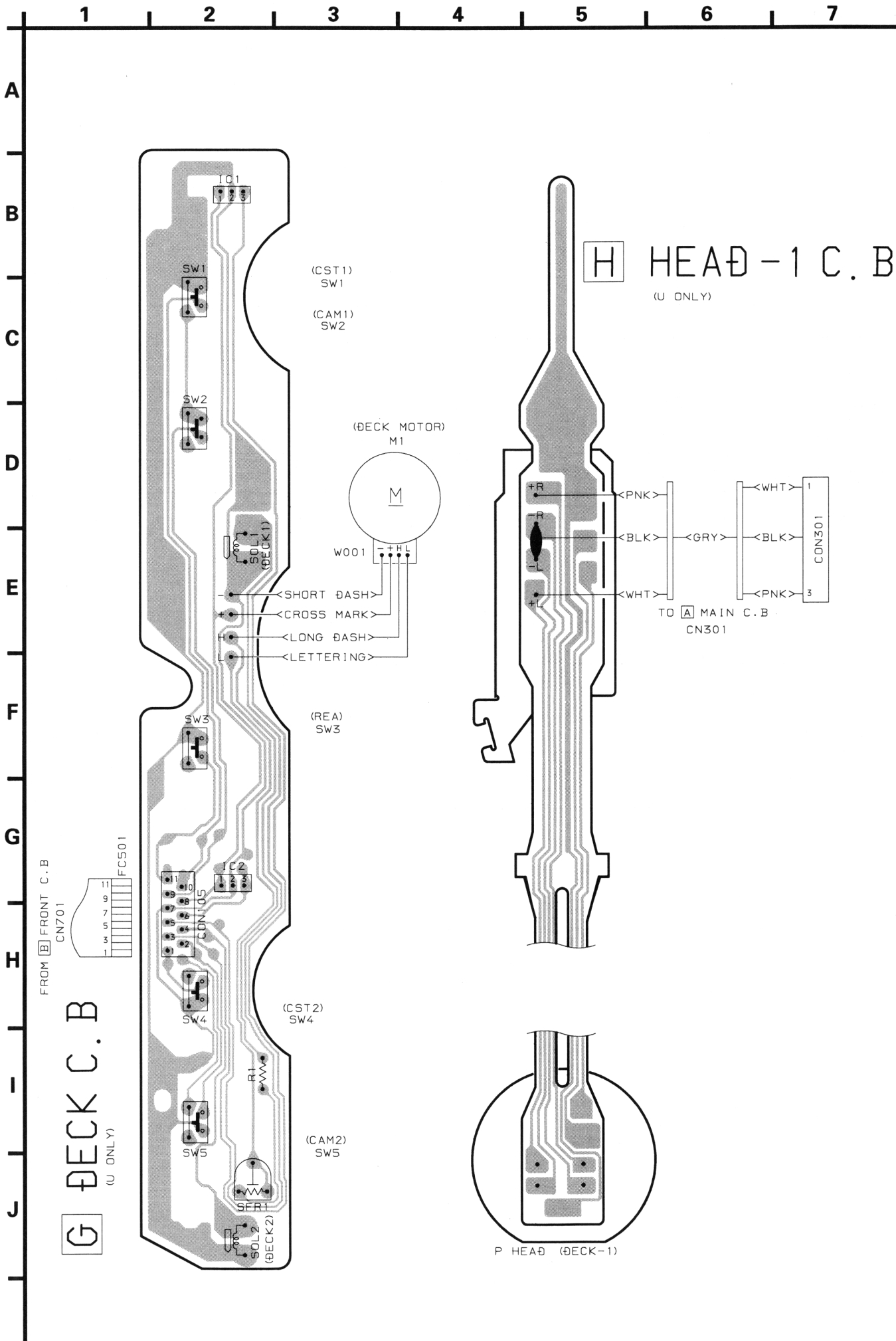


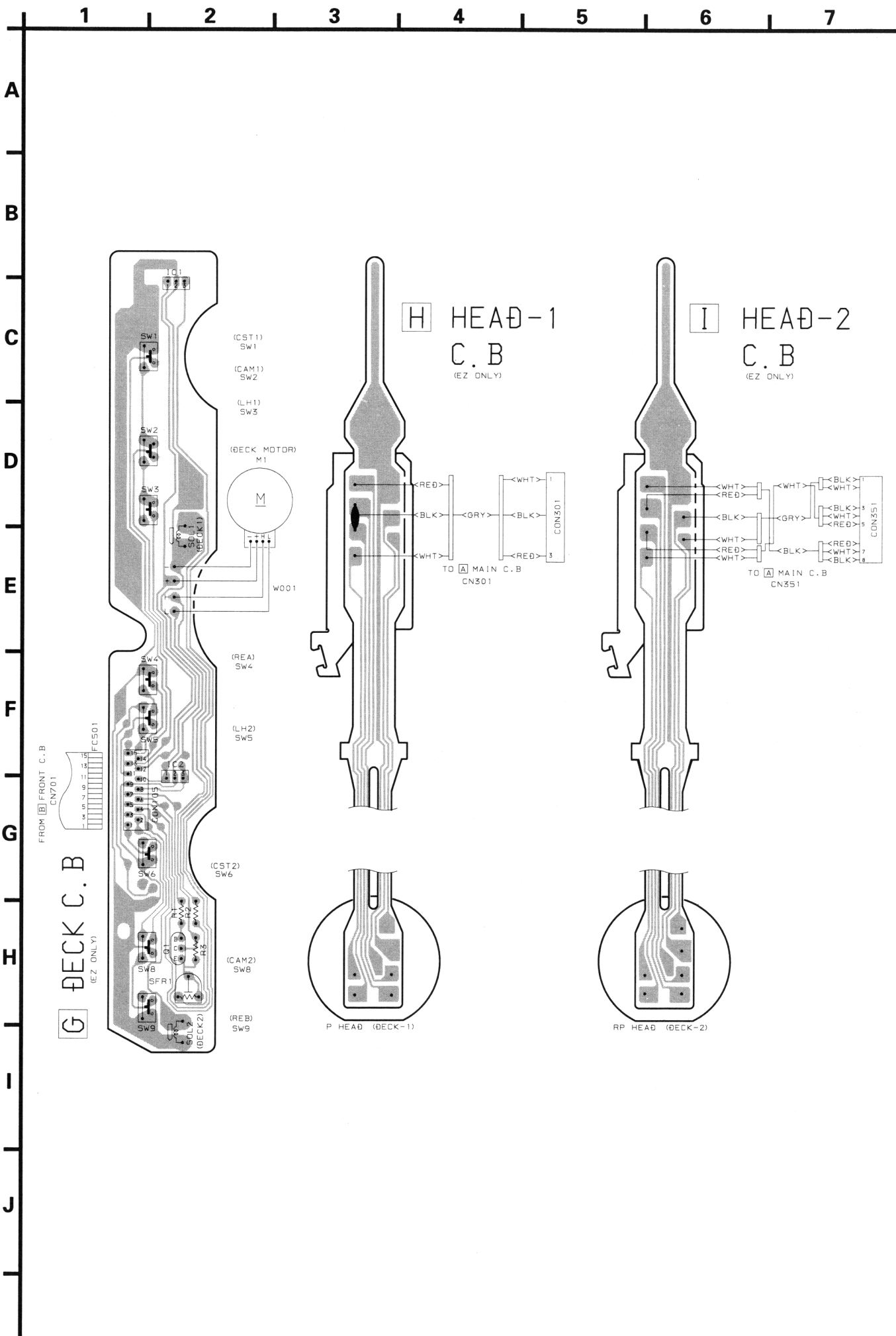
SCHEMATIC DIAGRAM - 5 (U : TUNER FRONT END)



SCHEMATIC DIAGRAM - 6 (U : MAIN 2/2)

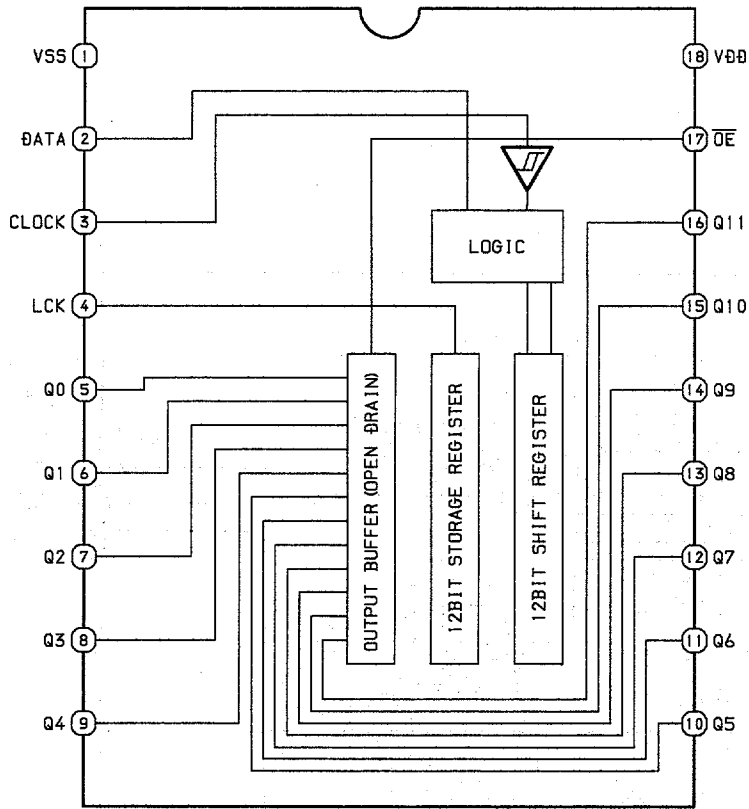




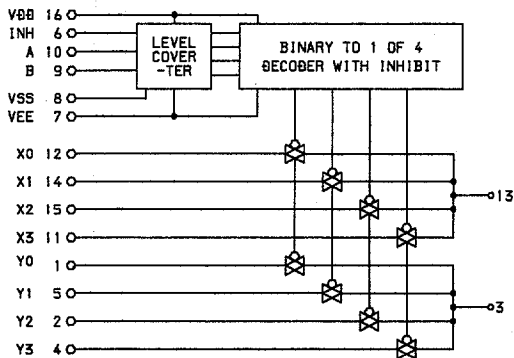


IC BLOCK DIAGRAM - 3

IC, BU2092F

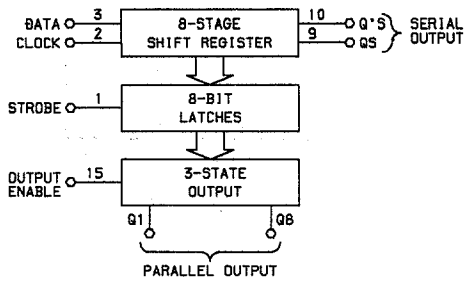


IC, 4052BCF

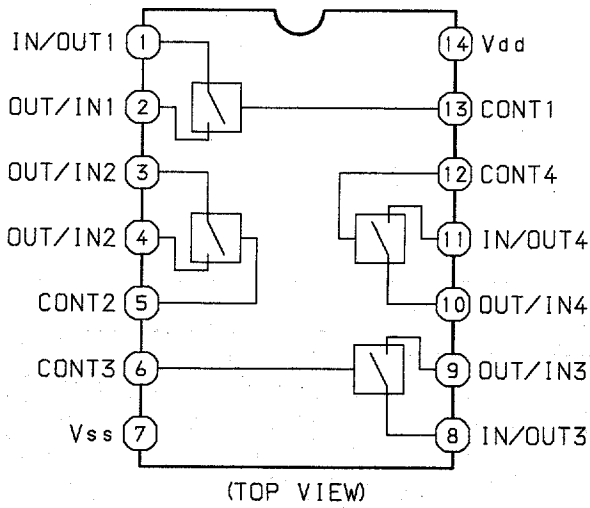


TRUTH TABLE

INHIBIT	A	B	ON SWITCH
L	L	L	X0 Y0
L	H	L	X1 Y1
L	L	H	X2 Y2
L	H	H	X3 Y3
H	X	X	NONE



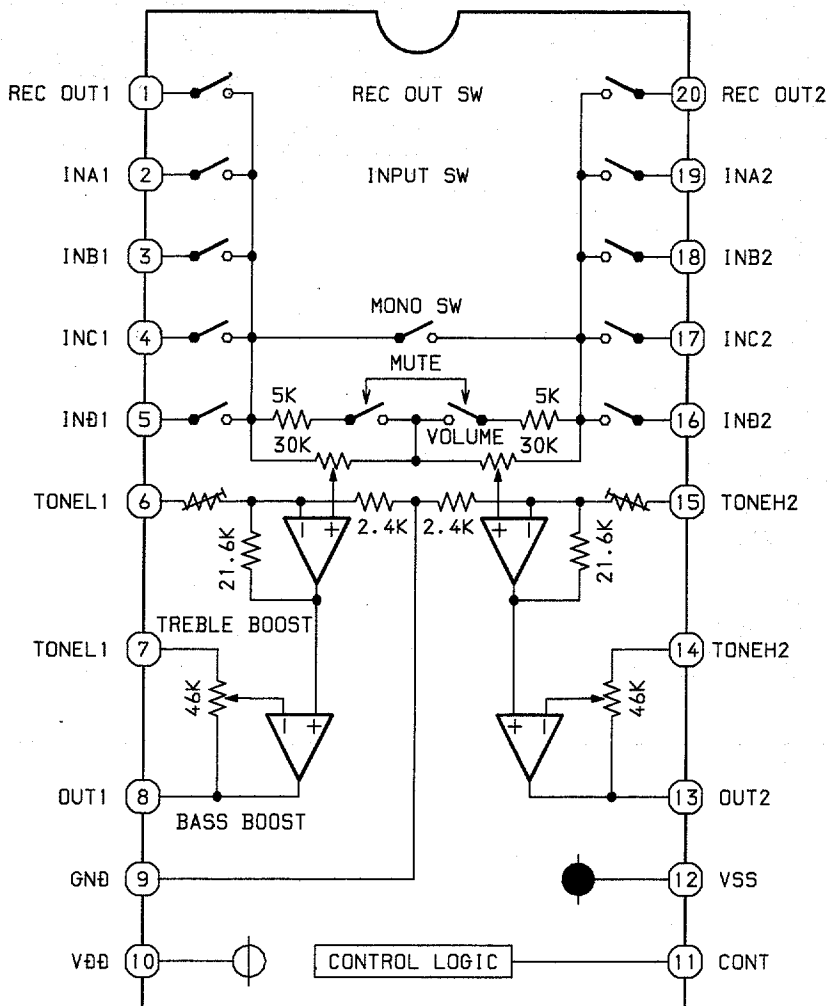
IC, BU4066BCF



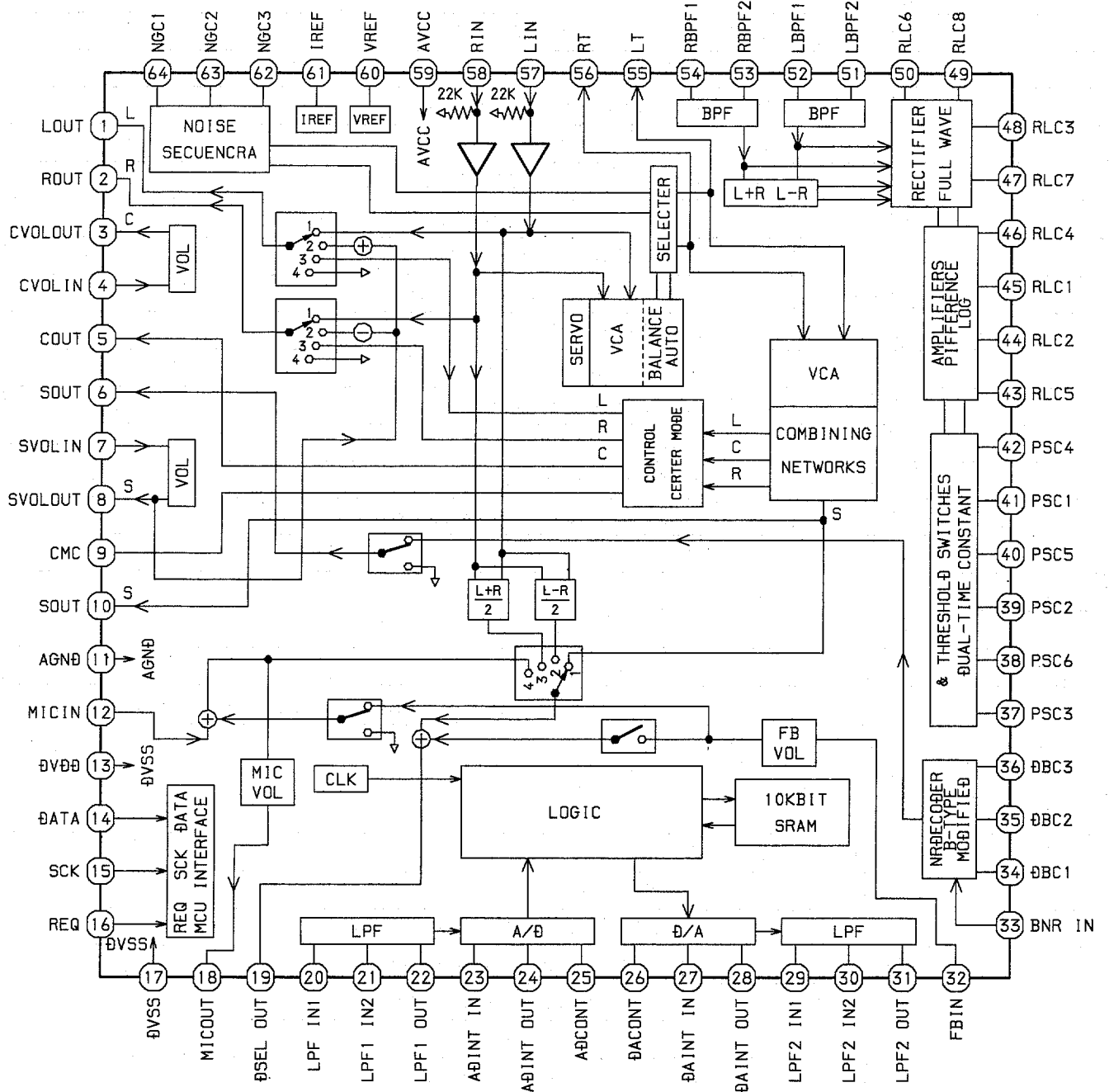
TRUTH TABLE

CONTROL	Impedance Between IN/OUT-OUT/IN
H	$0.5 \sim 5 \times 10^2 \Omega$
L	$> 10^2 \Omega$

IC, M62439SP



IC, M62463FP-B



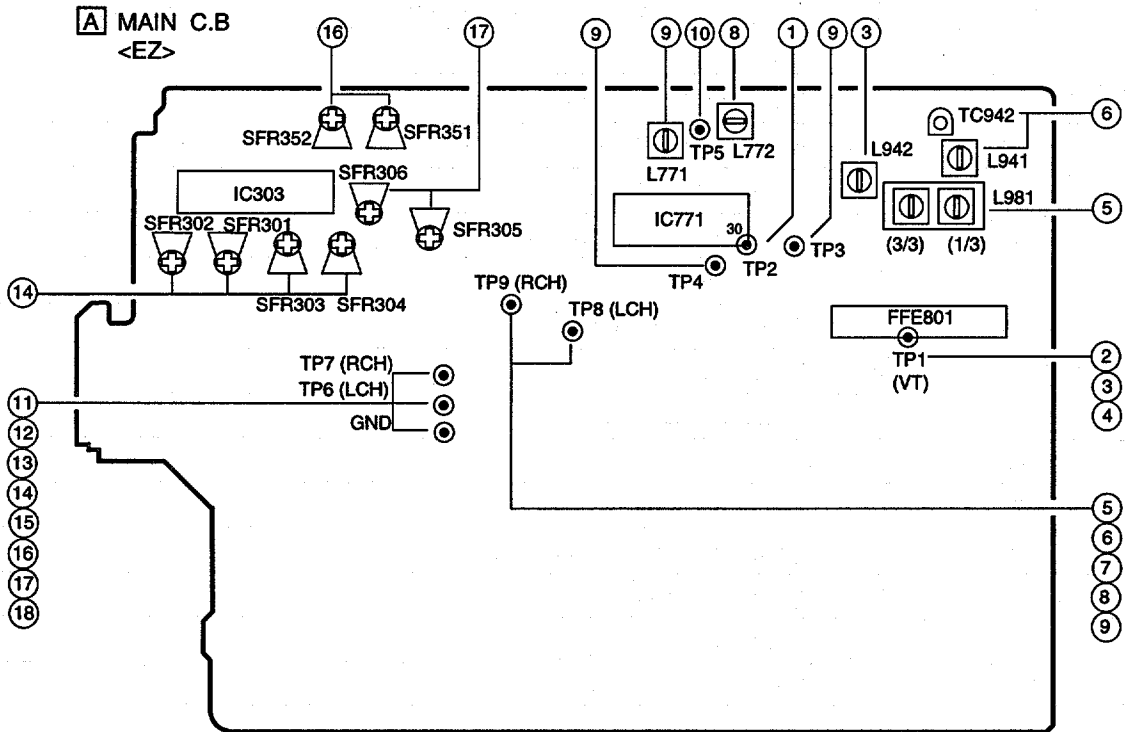
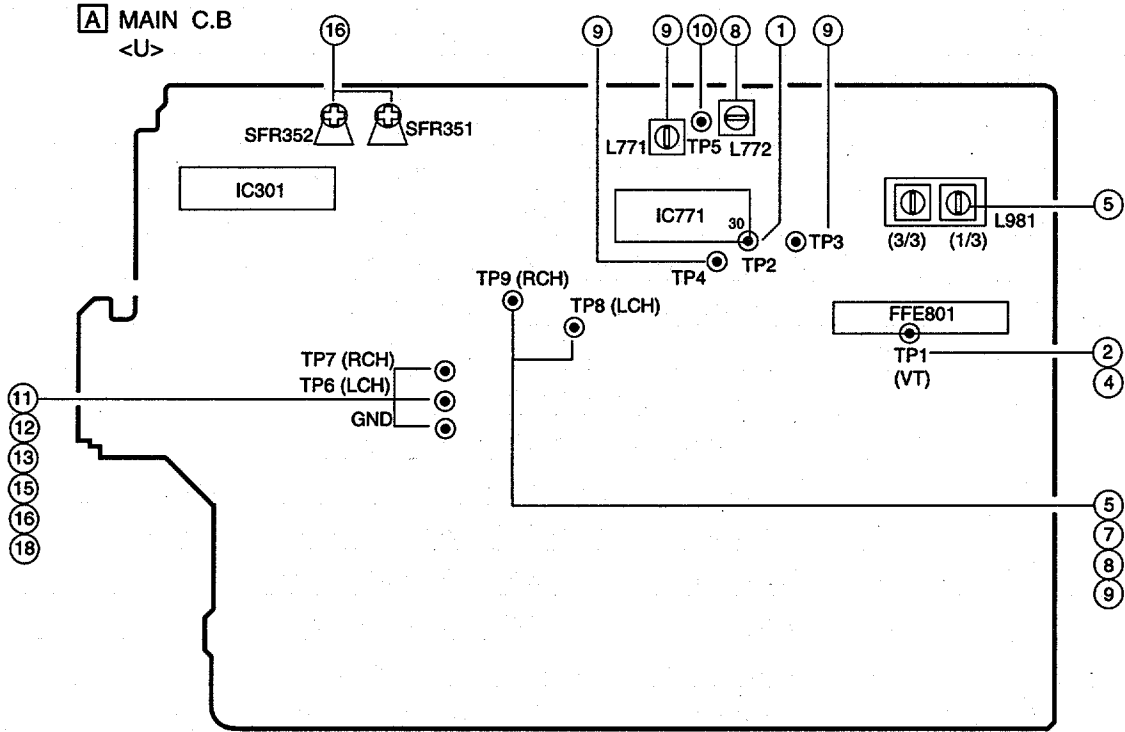
IC DESCRIPTION

IC, LC866560W-5H26

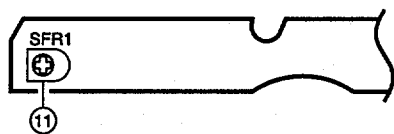
Pin No.	Pin Name	I/O	Description
1	CLK	O	CLOCK output for MAIN,FRONT PWB.
2	DATA	O	DATA output for MAIN, FRONT PWB.
3	STB	O	Latch strobe output for MAIN PWB.
4	O-LED	O	LED ON/OFF output.
5	STB (SHIFT)	O	Latch strobe output for FRONT shift register.
6	CH(GAME)	I	Channel control output for Sound IC. (Not connected)
7	STB (GAME)	O	Latch strobe output for Sound IC. (Not connected)
8	I-NAR (GAME)	I	Sound IC NAR input. (Not connected)
9	PLL-CE	O	PLL IC chip enable output.
10	O-DSC	O	Serial data output for PROLOGIC PWB.
11	I-MIC	I	Microphone input for AUTO VF display.
12	RESET	I	Reset input.
13	I-HP-MUTE	I	Headphone input for MUTE by PROLOGIC.
14	I-DISH	I	CD turntable photo sensor A/D converter input.
15	VSS 1	-	GND.
16	CF 1	-	5.76MHz oscillator circuit.
17	CF 2	-	
18	VDD 1	-	Power supply input.
19	HOLD	I	Power failure detection input. "H"normal operation,"L"main power cannot be turned on.
20	KEY-1	I	KEY input.(A/D)
21	KEY-2	I	
22	KEY-3	I	
23	I-CD SW	I	CD mechanical switch A/D converter input.
24	I-JOG	I	JOG dial A/D level input.
25	I-TU-SIG/MS	I	Tuner signal and deck music sensor signal input.
26	I-SPEANA	I	A/D input for spectrum analyzer display.
27	I-WRQ/RDS-CLK	I	CD WRQ input. TUNER RDS CLOCK input.
28	I-TM-BASE	I	REFERENCE CLOCK input for timer watch.
29	I-RMC	I	System remote control signal input.
30-41	G13-G2	O	FL GRID output G2-G13.
42, 43	P36, P35	O	FL SEGMENT output P35, P36.
44	G1	O	FL GRID output G1.
45	P34	O	FL SEGMENT output P34.
46	VDD3	-	Power supply input.
47	SPEANA-A/P33	O	Spectrum analyzer band switching output /FL segment P33 output.
48	SPEANA-B/P32	O	Spectrum analyzer band switching output /FL segment P32 output.
49	SPEANA-C/P31	O	Spectrum analyzer band switching output /FL segment P31 output.
50	P30/GAME	I/O	FL segment P30 output / GAME input to diode.
51	VP	-	Power supply input for FL display.
52	P29/AM-ST	I/O	FL segment P29 output / AM-ST input to diode.
53	P28/LW	I/O	FL segment P28 output / LW input to diode.
54	P27/SW	I/O	FL segment P27 output / SW input to diode.

Pin No.	Pin Name	I/O	Description
55	P26/FM 1	I/O	FL segment P26 output / FM1 (OIRT) input to diode.
56	P25/RDS	I/O	FL segment P25 output / RDS input to diode.
57	P24/R+1	I/O	FL segment P24 output / RVS+1 way input to diode.
58	P23/DSP	I/O	FL segment P23 output / DSP input to diode.
59	P22/D-SURR	I/O	FL segment P22 output / SURR input to diode.
60	P21/K-CON	I/O	FL segment P21 output / K-CON input to diode.
61	P20/DOLBY	I/O	FL segment P20 output / DOLBY input to diode.
62	P19/5.1CH	I/O	FL segment P19 output / 5.1CH input to diode.
63	P18/AM10K	I/O	FL segment P18 output / AM 10kHz input to diode.
64	P17/CST 2	I/O	FL segment P17 output / DECK2 cassette detect switch data input.
65	P16/REB	I/O	FL segment P16 output / DECK2 side-B record OK switch data input.
66	P15/CAM 2	I/O	FL segment P15 output / DECK2 CAM switch data input.
67	P14/AUTO 1	I/O	FL segment P14 output / DECK1 AUTO stop signal input.
68	P13/AUTO 2	I/O	FL segment P13 output / DECK2 AUTO stop signal input.
69	P12/CAM 1	I/O	FL segment P12 output / DECK1 CAM switch data input.
70	P11/CST 1	I/O	FL segment P11 output / DECK1 cassette detect switch data input.
71	P10/REA	I/O	FL segment P10 output / DECK2 side A record OK switch data input.
72	VDD 4	-	Power supply input.
73 ~ 81	P9 ~ P1	O	FL segment P1 ~ P9 output.
82	O-KSCAN	O	Switch SCAN timing output.
83	TRAYCLOSE	O	CD TRAY CLOSE data output.
84	TRAY-OPEN	O	CD TRAY OPEN data output.
85	DISH-FWD	O	CD turntable forward rotation output.
86	DISH-RVS	O	CD turntable reverse rotation output.
87	O-DATA	O	CD data output.
88	O-CDCLK	O	CD clock output.
89	VSS2	-	GND.
90	VDD2	-	Power supply input.
91	O-POWER	O	System power supply ON/OFF output.
92	O-S-MUTE	O	System mute ON/OFF output.
93	SOL 1	O	DECK 1 solenoid output.
94	SOL 2	O	DECK 2 solenoid output.
95	O-MOTOR	O	DECK MOTOR ON/OFF output.
96	I-IFC/STEREO/SUBQ	I	Tune IF count serial data input / CD SUBQ data input.
97	I-STEREO/ DRF(SQCLK)	I/O	Tuner stereo detected input / CD SQ CLOCK output.
98	I-RDS-DATA/ O-CDCE	I/O	RDS data input / CD chip enable output.
99	RT-A	I	Rotary encoder A input.
100	RT-B	I	Rotary encoder B input.

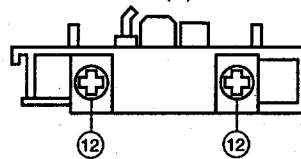
ADJUSTMENT <TUNER / DECK>



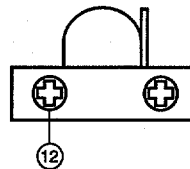
G DECK C.B



DECK-1 P, DECK-2 R/P/E HEAD (EZ)
DECK-1 P HEAD (U)



DECK-2 R / P HEAD (U)



< TUNER SECTION >

1. Clock Frequency Check
 Settings : • Test point : TP2
 Method : Set to AM 1710kHz (U), 1602kHz (EZ), and check that the test point is 2052kHz \pm 45Hz (U), 2160kHz \pm 45Hz (EZ).
2. MW VT Check
 Settings : • Test point : TP1 (VT)
 Method : Set to MW 1710kHz (U), 1602kHz (EZ), and check that the test point is less than 8.5V (U), 8.0V (EZ) and more than 0.6V (530kHz<U>),(531kHz<EZ>).
3. LW VT Adjustment <EZ>
 Settings : • Test point : TP1 (VT)
 • Adjustment location : L942
 Method : Set to LW 144kHz and adjust L942 so that the test point is 1.3V \pm 0.05V. Then check that the test point is less then 8.0V (290kHz).
4. FM VT Check
 Settings : • Test point : TP1 (VT)
 Method : Set to FM 87.5MHz, 108.0MHz and check that the test point is more than 0.5V (87.5MHz) and less than 8.0V (108.0MHz).
5. MW Tracking Adjustment
 Settings : • Test point : TP8(Lch), TP9(Rch)
 • Adjustment location :
 L981 (1/3) 1000kHz (U)
 L981 (1/3) 999kHz (EZ)
 Method : Set to AM 1000kHz (U), 999kHz (EZ) and adjust L981(1/3) to MAX.
6. LW Tracking Adjustment <EZ>
 Settings : • Test point : TP8(Lch), TP9(Rch)
 • Adjustment location :
 L941144kHz
 TC942290kHz
 Method : Set up TC942 to center before adjustment. The level at 144kHz is adjust to maximum by L941. Then the level at 290kHz is adjust to maximum by TC942.
7. FM Tracking Check
 Settings : • Test point : TP8(Lch), TP9(Rch)
 Method : Set to FM 98.0MHz and check that the test point is less than 9dB (U), less than 10dB (EZ).
8. AM(MW) IF Adjustment
 Settings : • Test point : TP8(Lch), TP9(Rch)
 • Adjustment location :
 L772 450kHz
9. DC Balance / Mono Distortion Adjustment
 Settings : • Test point : TP3, TP4 (DC Balance)
 : TP8(Lch), TP9(Rch) (Distortion)
 • Adjustment location : L771
 • Input level : 54dB
 Method : Set to FM 98.0MHz and adjust L771 so that the voltage between TP3 and TP4 becomes 0V \pm 0.04V.
 Next, check that the distortion is less than 1.3%.

10. Auto Stop Level Check

- MW
 Settings : • Input level : 52dB
 • Test point : TP5
 Method : Check auto stop at MW 1000kHz (U), 999kHz (EZ) and the level is 52 +10/-15dB.
- FM
 Settings : • Input level : 25dB
 • Test point : TP5
 Method : Check auto stop at FM 98.0MHz and the level is 25 dB \pm 10 dB.

< DECK SECTION >

11. Tape Speed Adjustment
 Settings : • Test tape : TTA-100
 • Test point : TP6(Lch), TP7(Rch)
 • Adjustment location : SFR1
 Method : Play back the test tape and adjust SFR1 so that the frequency counter reads 3000Hz \pm 5Hz.
12. Head Azimuth Adjustment
 Settings : • Test tape : TTA-330
 • Test point : TP6(Lch), TP7(Rch)
 • Adjustment location : Head azimuth adjustment screw
 Method : Play back (FWD) the 8kHz signal of the test tape and adjust screw so that the output becomes maximum. Next, perform on REV PLAY mode.
13. PB Frequency Response Check
 Settings : • Test tape : TTA-330
 • Test point : TP6(Lch), TP7(Rch)
 Method : Play back the 315Hz and 8kHz signals of the test tape and check that the output ratio of the 8kHz signal with respect to that of the 315Hz signal is within 5dB.
14. PB Sensitivity Adjustment (DECK 1, DECK 2) <EZ>
 Settings : • Test tape : TTA-200
 • Test point : TP6(Lch), TP7(Rch)
 • Adjustment location : SFR301 (DECK 1, Lch)
 SFR302 (DECK 1, Rch)
 SFR303 (DECK 2, Lch)
 SFR304 (DECK 2, Rch)
 Method : Play back the test tape and adjust SFRs so that the output level of the test point becomes 245mV \pm 10mV.
15. PB Sensitivity Check (DECK 1, DECK 2) <U>
 Settings : • Test tape : TTA-200
 • Test point : TP6(Lch), TP7(Rch)
 Method : Play back the test tape and check that the output level of the test point is 300mV \pm 3dB.
16. REC/PB Frequency Response Adjustment
 Settings : • Test tape : TTA-602
 • Test point : TP6(Lch), TP7(Rch)
 • Input signal : 1kHz / 10kHz (LINE IN)
 • Adjustment location : SFR351 (Lch)
 SFR352 (Rch)
 Method : Apply a 1kHz signal and REC mode. Then adjust OSC attenuator so that the output level at the TP6, TP7 becomes -20VU (-36.5dBV). Record and play back the 1kHz and 10kHz signals and adjust SFRs so that the output of the 10kHz signals becomes 0dB \pm 0.5dB with respect to that of the 1kHz signal.

17. REC/PB Sensitivity Adjustment <EZ>

Settings : • Test tape : TTA-602

- Test point : TP6(Lch), TP7(Rch)
- Input signal : 1kHz (LINE IN)
- Adjustment location : SFR305 (Lch)
SFR306 (Rch)

Method : Apply a 1kHz signal and REC mode. Then adjust OSC attenuator so that the output level at TP8, TP9 becomes 0VU (-16.5 dBV). Record and play back the 1kHz signals and adjust SFRs so that the output becomes 0dB \pm 0.5dB with respect to that of the 1kHz signal.

18. REC/PB Sensitivity Check <U>

Settings : • Test tape : TTA-602

- Test point : TP6(Lch), TP7(Rch)
- Input signal : 1kHz (LINE IN)

Method : Apply a 1kHz signal and REC mode. Then adjust OSC attenuator so that the output level at TP6, TP7 becomes 0VU (-16.5dBV). Record and play back the 1kHz signals and check that the output is -2 \pm 3.0dB.

PRACTICAL SERVICE FIGURE

<TUNER SECTION>

<FM SECTION>

IHF Sensitivity : Less than 10 / 9 / 9dB (U)
[at 87.5 / 98.0 / 108.0MHz (U)]
(THD 3%) Less than 11 / 10 / 10dBdB (EZ)
[at 87.5 / 98.0 / 108.0MHz (EZ)]

S/N 50dB Quieting sensitivity :

Less than 35dB (U)
[at 98.0MHz (U)]
Less than 38dB (EZ)
[at 98.0MHz (EZ)]

Signal to noise ratio : Mono : More than 68dB
Stereo : More than 64dB (EZ), 66dB (U)
[at 98.0MHz]

Distortion : Mono : Less than 1.2%
Stereo : Less than 2.0% [at 98.0MHz]

Auto stop level : 25dB \pm 10dB [at 98.0MHz]

Stereo separation : U : More than 30dB [at 98.0MHz]
EZ : More than 12dB [at 98.0MHz]

Intermediate frequency : 10.7MHz

<MW SECTION>

Sensitivity : Less than 60dB
[at 603kHz (EZ), 600kHz (U)]
Less than 58dB
[at 999kHz (EZ), 1000kHz (U)]
Less than 58dB
[at 1404kHz (EZ), 1400kHz (U)]

Signal to noise ratio : More than 36dB
[at 999kHz (EZ), 1000kHz (U)]

Distortion : Less than 1.5%

Auto stop level : 50dB +10/-15dB [at 999kHz (EZ)]
[at 999kHz (EZ), 1000kHz (U)]

Intermediate frequency : 450kHz

<LW SECTION> (EZ)

Sensitivity : Less than 70dB [at 144kHz]
Less than 68dB [at 198kHz]
Less than 66dB [at 290kHz]

Intermediate frequency : 450kHz

<DECK SECTION>

Tape speed : 3000Hz \pm 45Hz
Wow & flutter : Less than 0.21% (EZ), 0.25% (U)
(W.R.M.S)

Take-up torque : 30 ~ 55g-cm (FWD, REV)

F.F torque : 75 ~ 180g-cm

REW torque : 75 ~ 130g-cm

Back tension : 2 ~ 7g-cm (FWD, REV)

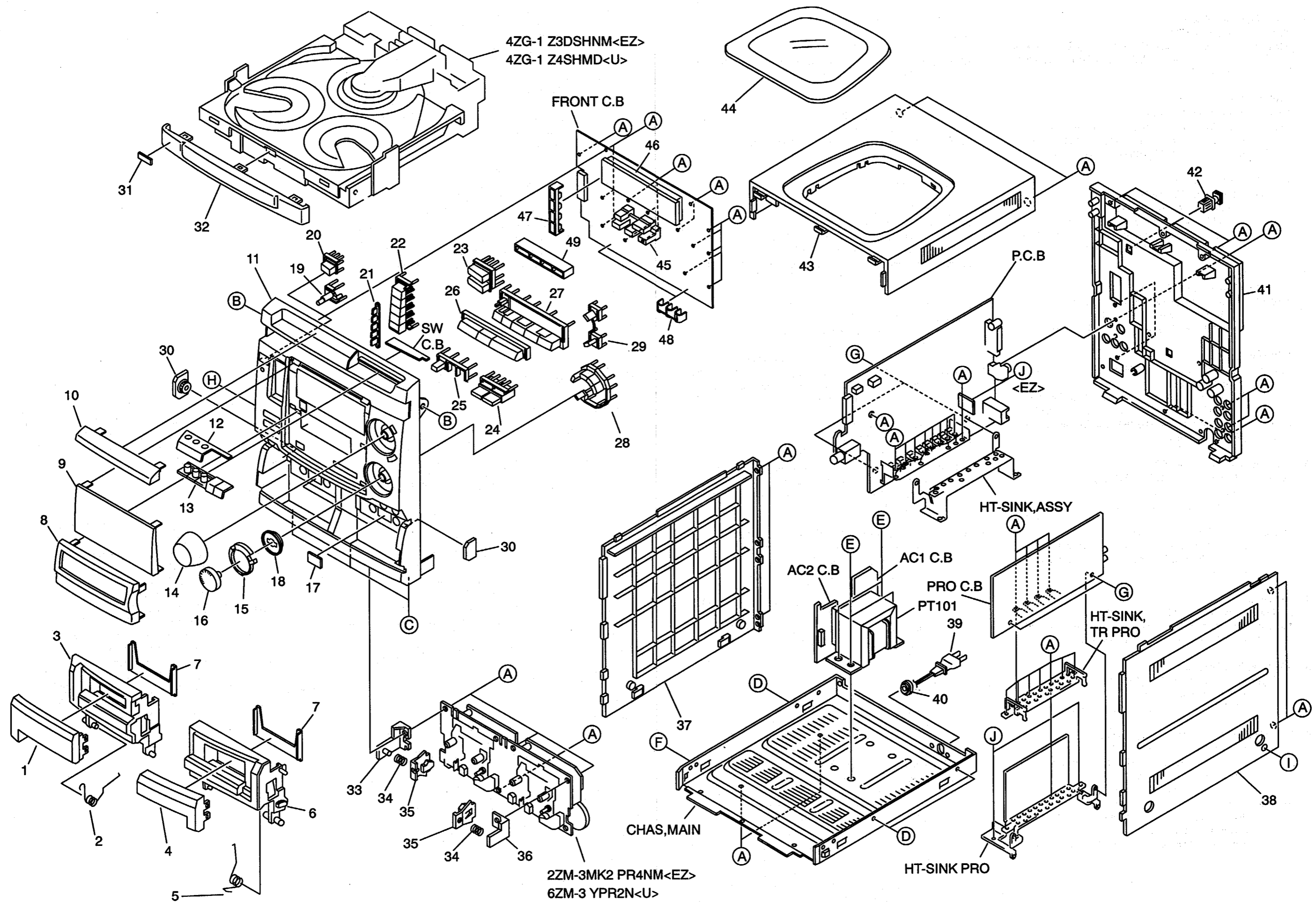
PB output level : 300mV \pm 3dB (U),
300mV \pm 1dB (EZ) (SP OUT 2V)
REC/PB output level : -2.0 \pm 3.0dB (U), 0 \pm 1dB (EZ)
(SP OUT 2V, NORM)

Distortion (REC/PB) : Less than 2.0% (NORM)
Noise level (PB) : Less than 2.0mV (NORM, SP OUT 2V)

Noise level (REC/PB) : Less than 3.0mV (NORM, SP OUT 2V)

Erasing ratio : More than 60dB (at 125Hz, +10VU)

Test tape : TTA-602 (NORMAL)
TTA-100

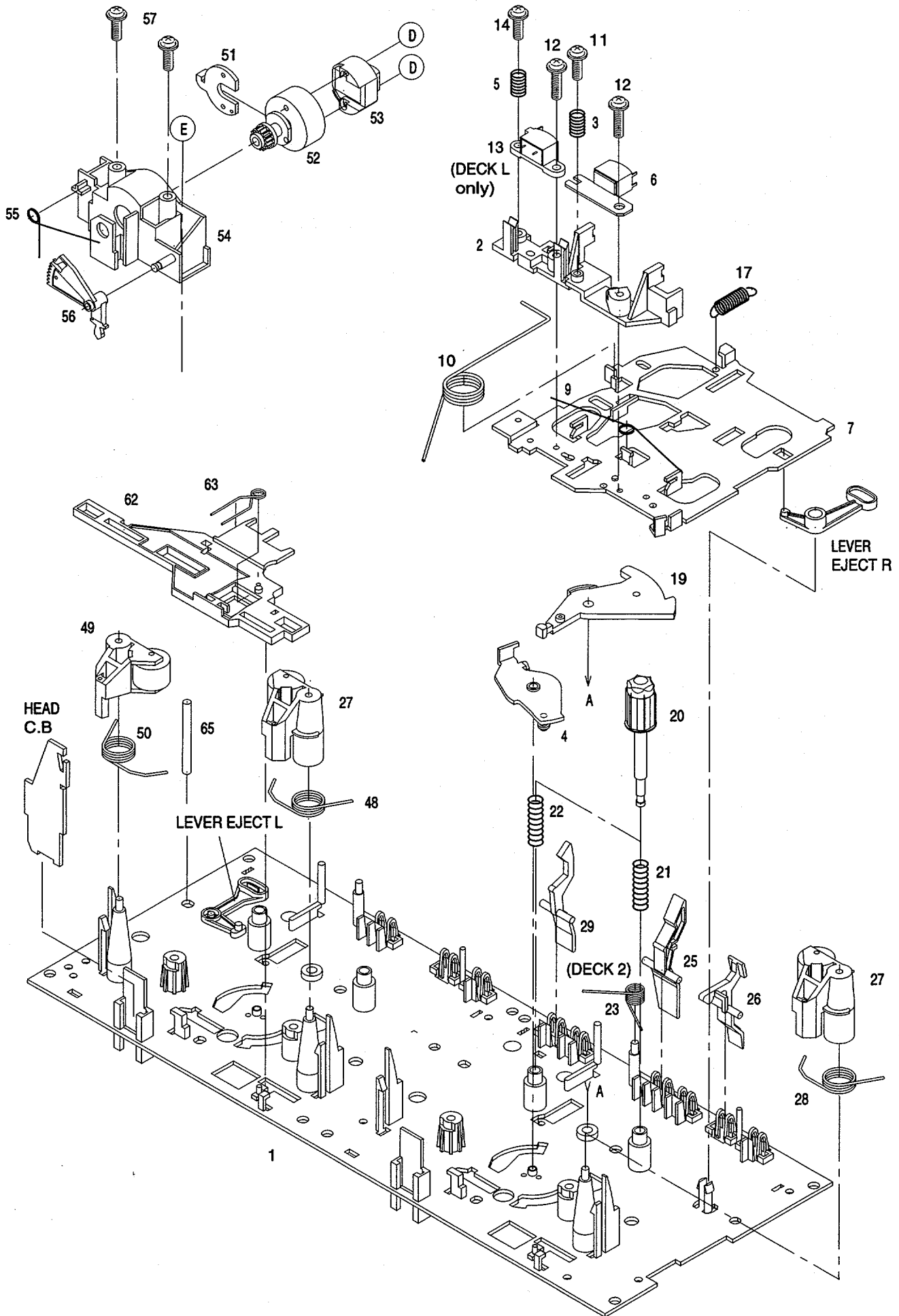


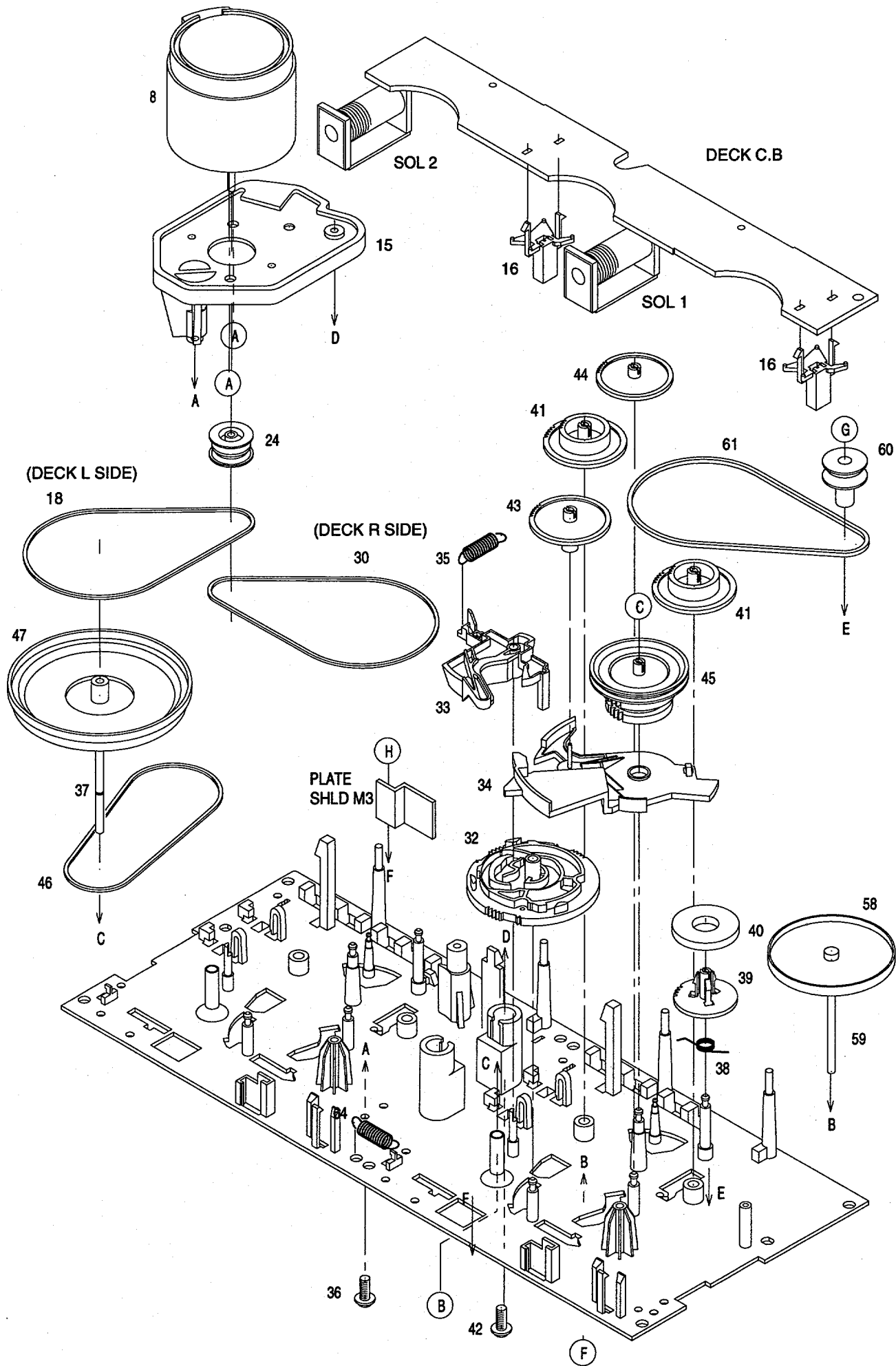
MECHANICAL PARTS LIST 1 / 1

If can't understand for Description please kindly refer to "REFERENCE NAME LIST".

REF. NO.	PART NO.	KANRI NO.	DESCRIPTION	REF. NO.	PART NO.	KANRI NO.	DESCRIPTION
1	87-NBG-009-010		WINDOW,CASS 1	34	86-NF9-224-010		SPR-C,LOCK
2	82-NF5-218-010		SPR-T,EJECT 1 (SIN)	35	82-NF5-229-010		PLATE,LOCK
3	88-NF7-003-010		BOX,CASS 1 U	36	87-NF4-217-010		HLDR,LOCK 2
4	87-NBG-010-010		WINDOW,CASS 2	37	87-NB8-005-010		PANEL,LEFT<EZ>
5	82-NF5-219-010		SPR-T,EJECT 2 (SIN)	37	87-NB8-051-010		PANEL,LEFT U<U>
6	88-NF7-049-010		BOX,CASS 2 H<EZ>	38	88-NF8-047-010		PANEL,RIGHT 2<EZ>
6	88-NF7-004-010		BOX,CASS 2 U<U>	38	88-NF8-048-010		PANEL,RIGHT 2 U<U>
7	86-NF6-061-010		REFLECTOR,CASS	39	87-050-034-010		AC CORD ASSY,E<EZ>
8	88-NF7-002-010		PANEL,CONT<EZ>	39	87-050-053-010		AC CORD ASSY,U-2<U>
8	88-NF7-051-010		PANEL,CONT PRO1<U>	40	87-085-185-010		BUSHING, AC CORD (E)<EZ>
9	88-NFU-009-010		WINDOW,DISP E<EZ>	40	87-085-189-010		BUSHING, CORD (U)<U>
9	88-NFU-002-010		WINDOW,DISP PRO<U>	41	88-NFU-013-010		CABI,REAR EZSTNM<EZ>
10	87-NBG-008-010		WINDOW,CD	41	88-NFU-014-010		CABI,REAR UST<U>
11	88-NFU-003-010		CABI,FR E<EZ>	42	84-2G1-245-210		CAP,OPTICAL
11	88-NFU-008-010		CABI,FR U<U>	43	87-NF6-021-010		PANEL,TOP
12	87-NBG-006-010		PANEL,CD	44	86-NF6-101-010		WINDOW TOP UL<U>
13	88-NF7-062-010		KEY,CD	44	86-NF6-007-010		WINDOW,TOP<EZ>
14	87-NBG-011-010		KNOB,RTRY VOL	45	88-NF7-201-010		GUIDE,OPE
15	88-NF7-007-010		PANEL,JOG	46	87-NF5-203-010		GUIDE,FL
16	88-NF7-006-310		KNOB,RTRY JOG	47	87-NBG-202-010		GUIDE,FUN
17	81-532-080-010		LABEL, CASS. COMPT	48	87-NB6-212-010		GUIDE,LED L IND
18	88-NF7-015-010		REFLECTOR,JOG	49	88-NF7-202-010		GUIDE,PRO
19	88-NF7-040-110		KEY,DEMO S	A	87-067-703-010		TAPPING SCREW, BVT2+3-10
20	87-NBG-015-010		KEY,POWER	B	87-721-097-410		QT2+3-12 GLD
21	87-NBG-023-010		REFLECTOR,FUN	C	87-067-688-010		BVTT+3-6
22	88-NFU-012-010		KEY,FUN 5.1CH	D	87-721-096-410		QT2+3-10 GLD
23	88-NF7-008-010		KEY,BBE	E	87-078-019-010		S-SCREW,IT+4-6
24	88-NF7-033-010		KEY,TIMER E<EZ>	F	87-591-094-410		TAPPING SCREW, QIT+3-6
24	88-NF7-027-010		KEY,TIMER U<U>	G	87-NF4-224-010		S-SCREW,IT3B+3-8 CU
25	88-NF7-013-010		KEY,EDIT<EZ>	H	87-723-096-410		QT2+3-10W/O SLOT BL
25	88-NF7-025-010		KEY,EDIT U<U>	I	87-B10-091-010		UTT2+3-10 W/O BLK
26	88-NF7-009-110		KEY,ASSY OPE	J	87-067-579-010		TAPPING SCREW, BVT2+3-8
27	88-NF7-052-110		KEY,ASSY DEMO U1<U>				
27	88-NF7-018-010		KEY,ASSY,DEMO<EZ>				
28	88-NF7-014-110		KEY,DSP				
29	87-NBG-019-010		KEY,ECHO				
30	87-NF8-220-010		DMPR,150				
31	82-NE6-067-010		BADGE,AIWA 30N				
32	88-NF7-005-010		PANEL,TRAY				
33	87-NF4-216-010		HLDR,LOCK 1				

TAPE MECHANISM EXPLODED VIEW 1 / 1 (6ZM-3 YPR2N <U>)



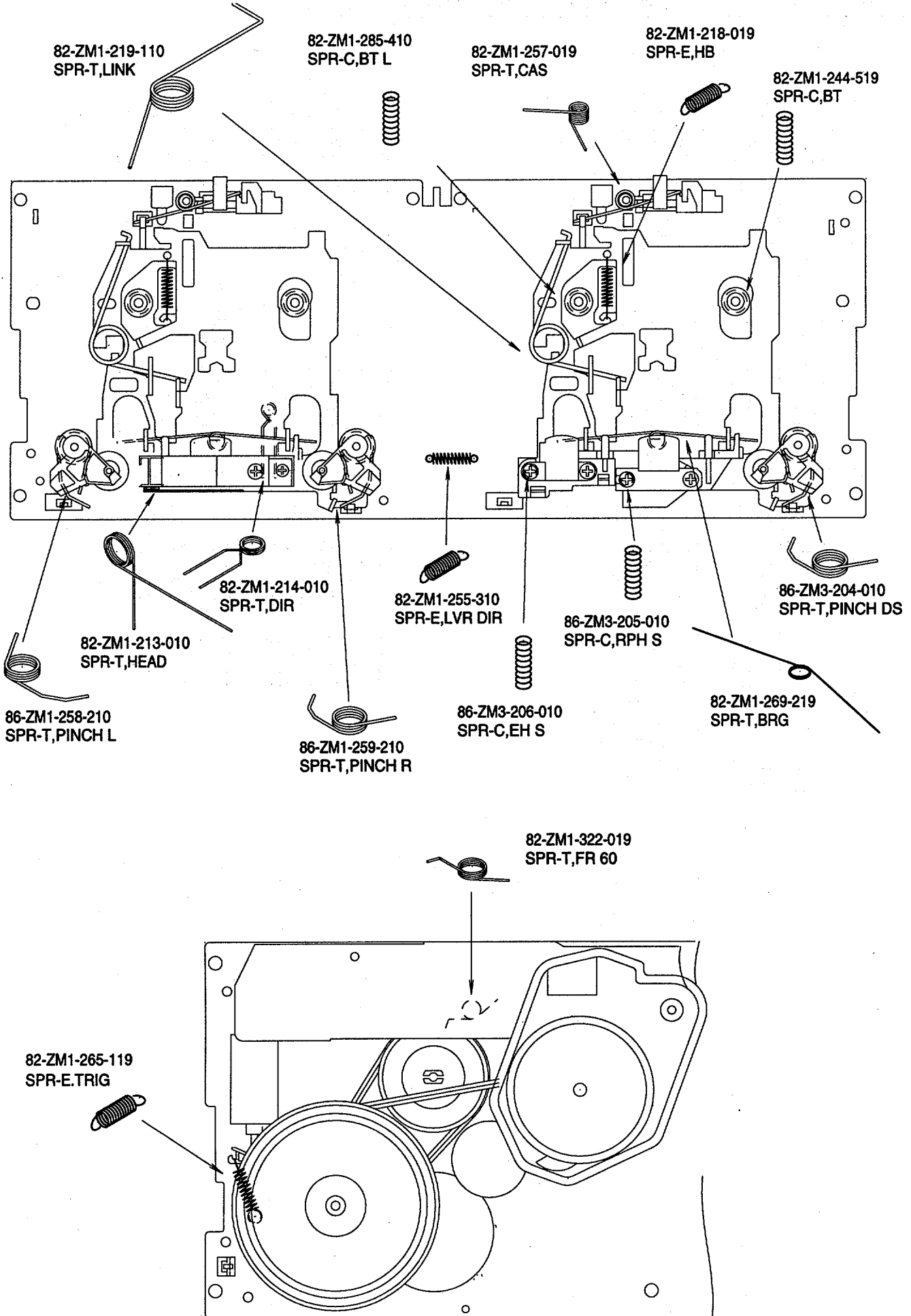


TAPE MECHANISM PARTS LIST 1 / 1 (6ZM-3 YPR2N <U>)

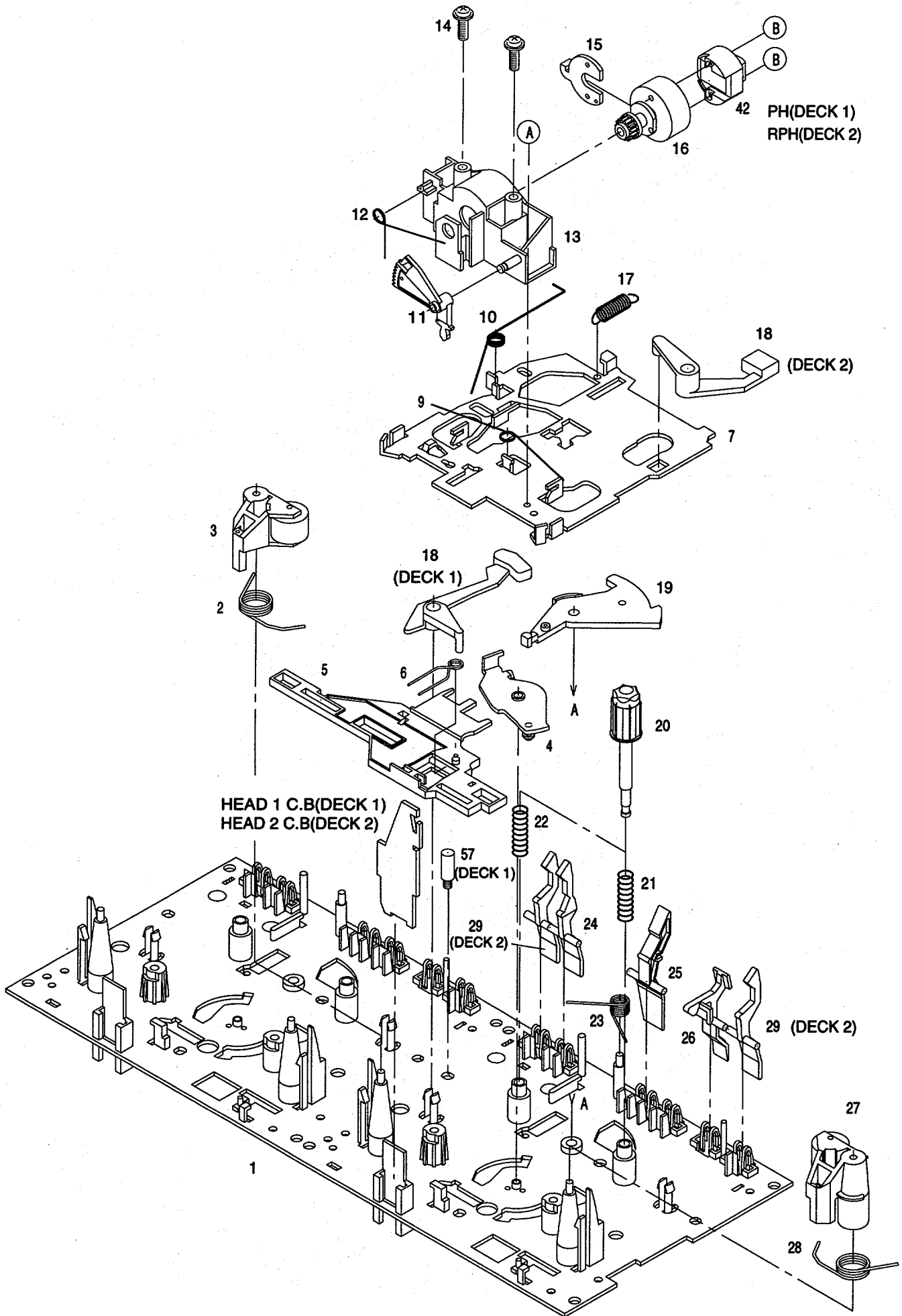
If can't understand for Description please kindly refer to "REFERENCE NAME LIST".

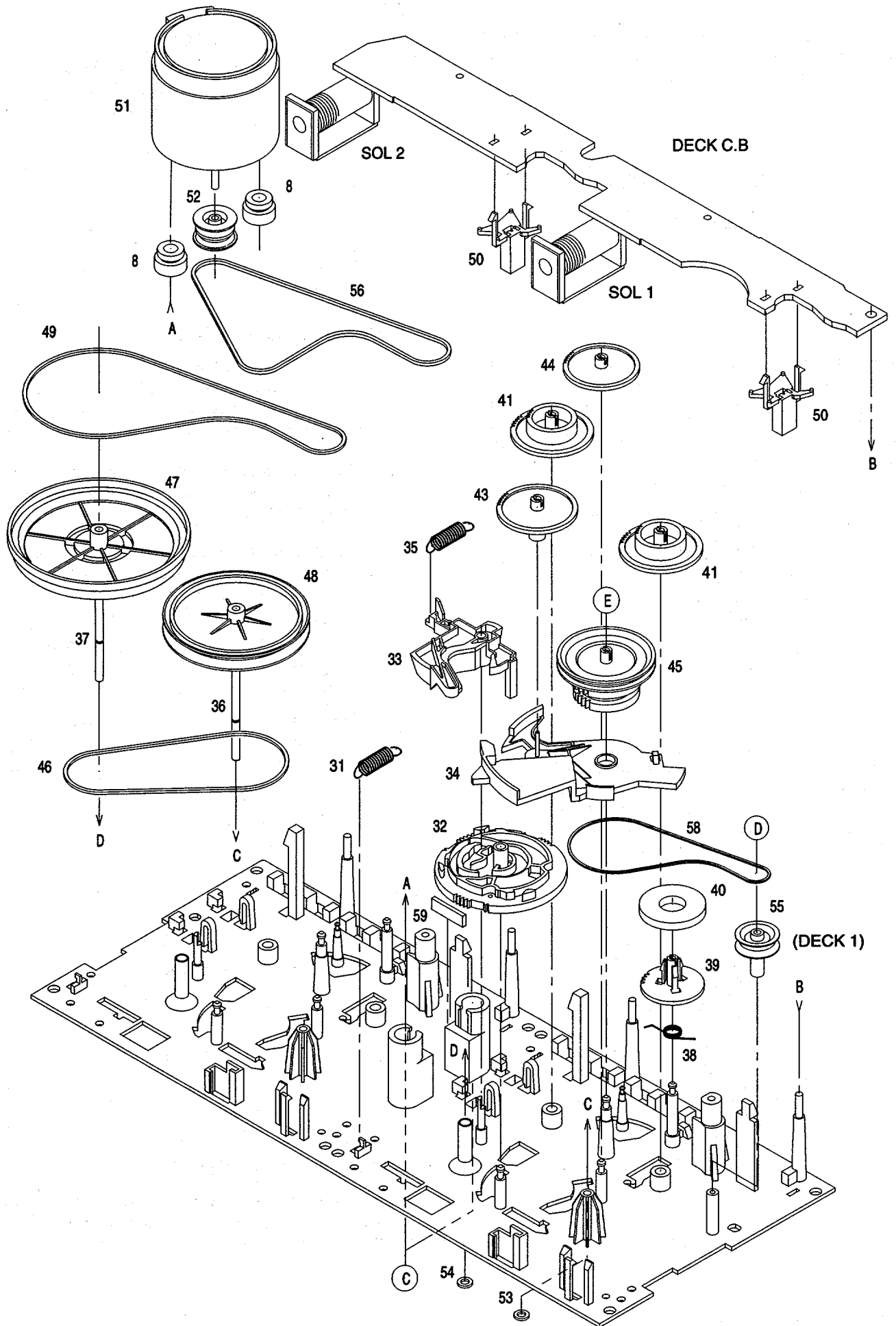
REF. NO.	PART NO.	KANRI NO.	DESCRIPTION	REF. NO.	PART NO.	KANRI NO.	DESCRIPTION
1	86-ZM3-215-010		CHAS ASSY, RS	41	82-ZM1-216-319		GEAR, REEL
2	86-ZM3-202-010		BASE, HEAD S	42	86-ZM3-213-010		S-SCREW, HLD, MOT 3
3	86-ZM3-205-010		SPR-C, RPH S	43	82-ZM1-225-219		GEAR, FR
4	82-ZM1-333-210		PLATE, LINK 2	44	82-ZM1-226-019		GEAR, REW
5	86-ZM3-206-010		SPR-C, EH S	45	82-ZM3-333-310		SLIP DISK ASSY 2
6	87-A90-403-019		HEAD, RPH MS15R	46	82-ZM1-338-010		BELT FR4
7	86-ZM3-201-010		CHAS, HEAD S (DECK L)	47	82-ZM1-349-019		FLY-WHL RW (DECK L)
7	82-ZM3-206-910		CHAS, HEAD (DECK R)	47	82-ZM3-338-010		FLY-WHL R3W (DECK R)
8	87-045-347-019		MOT, SHU2L 70(M1)	48	82-ZM1-259-210		SPR-T, PINCH R
9	82-ZM1-269-219		SPR-T, BRG	49	82-ZM1-341-110		LVR ASSY, PINCH L2
10	82-ZM1-219-110		SPR-T, LINK	50	82-ZM1-258-210		SPR-T, PINCH L
11	86-ZM3-209-010		S-SCREW, ASIMUTHS	51	82-ZM1-314-110		PLATE, HEAD
12	86-ZM3-207-010		S-SCREW, RPH	52	82-ZM1-208-310		HLD, HEAD
13	87-A90-404-019		HEAD, EH LE15B	53	87-A90-366-010		HEAD, PH YK50P-BF414
14	86-ZM3-208-010		S-SCREW, EH	54	82-ZM1-207-810		GUIDE TAPE
15	86-ZM3-203-010		HLD, MOTS	55	82-ZM1-213-010		SPR-T, HEAD
16	82-ZM1-245-210		HLD, IC	56	82-ZM1-210-110		GEAR, HT
17	82-ZM1-218-019		SPR-E, HB	57	86-ZM4-206-010		S-SCREW AZIMUTH L
18	86-ZM3-214-010		BELT, SUB RR	58	82-ZM1-348-010		FLY-WHL, LW
19	82-ZM1-222-219		LVR, PLAY	59	82-ZM1-236-019		CAPSTAN N 2-41.5
20	82-ZM1-217-419		REEL TABLE	60	82-ZM3-335-210		PULLEY, COUPLER M3
21	82-ZM1-244-519		SPR-C, BT	61	86-ZM1-206-010		BELT, MAIN L
22	82-ZM1-285-410		SPR-C, BT L	62	82-ZM1-266-110		LVR, DIR
23	82-ZM1-257-019		SPR-T, CAS	63	82-ZM1-214-010		SPR-T, DIR
24	82-ZM3-221-010		PULLEY, MOT 2M	64	82-ZM1-255-310		SPR-E, LVR DIR
25	82-ZM1-242-019		LVR, CAS	65	82-ZM3-339-010		SHAFT, COUPLER N3
26	82-ZM1-243-019		LVR, STOP	A	87-251-071-417		U+2.6-4
27	82-ZM1-344-119		LVR ASSY, PINCH	B	80-ZM6-243-019		SH, 1.75-3.6-0.5 SLT
28	86-ZM3-204-010		SPR-T, PINCHDS	C	82-ZM3-334-010		PW, 2.16-6-0.4
29	82-ZM1-240-119		LVR, REC (DECK 2)	D	80-ZM6-207-010		V+1.6-7
30	86-ZM3-210-010		BELT, RS	E	85-ZM3-202-010		S-SCREW TG
32	82-ZM3-305-119		GEAR, CAM M2	F	82-ZM1-288-010		SH, 1.63-3.2-0.5 SLT
33	82-ZM1-227-319		LVR, TRIG	G	87-B10-043-010		W-P, 0.99-4-0.25 SLT
34	82-ZM3-306-110		LVR, FR M2	H	87-571-032-410		VIT+2-3
35	82-ZM1-265-119		SPR-E, TRIG				
36	87-761-073-419		VFT2+2.6-6 W/O SLOT				
37	82-ZM1-239-019		CAPSTAN N 2.2-41.7				
38	82-ZM1-322-019		SPR-T, FR60				
39	82-ZM1-220-219		GEAR, IDLER				
40	82-ZM3-616-019		RING MAGNET 4				

SPRING APPLICATION POSITION (6ZM-3 YPR2N <U>)



TAPE MECHANISM EXPLODED VIEW 1 / 1 (2ZM-3MK2 PR4NM <EZ>)



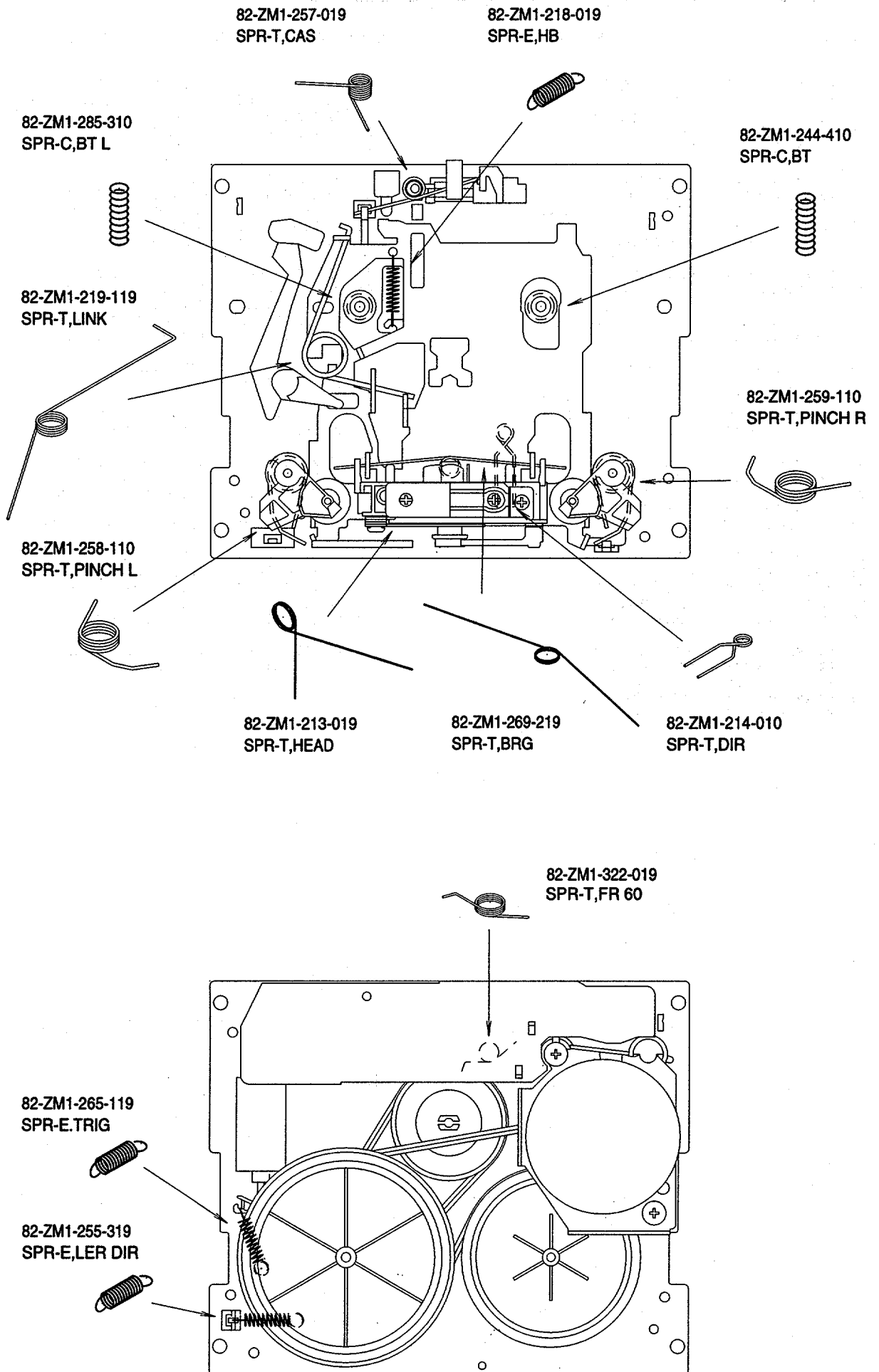


TAPE MECHANISM PARTS LIST 1 / 1 (2ZM-3MK2 PR4NM <EZ>)

If can't understand for Description please kindly refer to "REFERENCE NAME LIST".

REF. NO.	PART NO.	KANRI NO.	DESCRIPTION	REF. NO.	PART NO.	KANRI NO.	DESCRIPTION
1	82-ZM3-301-519		CHAS ASSY, M2	36	82-ZM1-236-019		CAPSTAN N 2-41.5
2	82-ZM1-258-110		SPR-T, PINCH L	37	82-ZM1-239-019		CAPSTAN N 2.2-41.7
3	82-ZM1-341-110		LVR ASSY, PINCH L2	38	82-ZM1-322-019		SPR-T, FR60
4	82-ZM1-333-010		PLATE, LINK 2	39	82-ZM1-220-219		GEAR, IDLER
5	82-ZM1-266-11K		LVR, DIR	40	82-ZM3-616-019		RING MAGNET 4
6	82-ZM1-214-010		SPR-T, DIR	41	82-ZM1-216-31K		GEAR, REEL
7	82-ZM1-206-81K		CHAS, HEAD	42	87-A90-319-010		HEAD, PH HADKH2 FPC
8	82-ZM3-307-019		CUSH-G, DIA3.7-8-3.2	42	87-A90-320-010		HEAD, RPH HADKH5 FPC
9	82-ZM1-269-219		SPR-T, BRG	43	82-ZM1-225-21K		GEAR, FR
10	82-ZM1-219-119		SPR-T, LINK	44	82-ZM1-226-019		GEAR, REW
11	82-ZM1-210-119		GEAR, H T	45	82-ZM3-333-310		SLIP DISK ASSY 2
12	82-ZM1-213-019		SPR-T, HEAD	46	82-ZM1-338-010		BELT FR4
13	82-ZM1-207-619		GUIDE, TAPE	47	82-ZM1-349-110		FLY-WHL, R W(DECK 2)
14	86-ZM4-206-010		S-SCREW, AZIMUTH	47	82-ZM3-338-110		FLY-WHL, R3 W(DECK 1)
15	82-ZM1-314-119		PLATE, HEAD	48	82-ZM1-348-010		FLY-WHL, L W(DECK 2)
16	82-ZM1-208-119		HLDR, HEAD	48	82-ZM1-348-010		FLY-WHL, L W(DECK 1)
17	82-ZM1-218-019		SPR-E, HB	49	82-ZM3-329-210		BELT, SBU R2
18	82-ZM1-263-110		LVR, EJECT L (DECK 1)	50	82-ZM1-245-210		HLDR, IC
18	82-ZM1-264-010		LVR, EJECT R (DECK 2)	51	87-045-347-019		MOT, SHU2L 70(M1)
19	82-ZM1-222-21K		LVR, PLAY	52	82-ZM3-221-010		PULLEY, MOT 2M
20	82-ZM1-217-319		REEL TABLE	53	82-ZM1-288-019		SH, 1.63-3.2-0.5 SLT
21	82-ZM1-244-510		SPR-C, BT	54	80-ZM6-243-019		SH, 1.75-3.6-0.5 SLT
22	82-ZM1-285-310		SPR-C, BT L	55	82-ZM3-335-210		PULLEY, COUPLER M3 (DECK 1)
23	82-ZM1-257-019		SPR-T, CAS	56	82-ZM3-337-010		BELT, SBU MOT 2
24	82-ZM1-241-319		LVR, MC	57	82-ZM3-339-010		SHAFT, COUPLER N3 (DECK 1)
25	82-ZM1-242-019		LVR, CAS	58	86-ZM1-206-010		BELT, MAIN L
26	82-ZM1-243-019		LVR, STOP	59	82-ZM3-340-010		SH, BELT D2
27	82-ZM1-344-110		LVR ASSY, PINCH R2	A	85-ZM3-202-010		S-SCREW, TG
28	82-ZM1-259-110		SPR-T, PINCH R	B	80-ZM6-207-019		V+1.6-7
29	82-ZM1-240-11K		LVR, REC (DECK 2)	C	82-ZM3-318-019		S-SCRW MOTOR M2
31	82-ZM1-255-319		SPR-E, LVR DIR	D	87-B10-043-010		W-P, 0.99-4-0.25 SLT
32	82-ZM3-305-01K		GEAR, CAM M2	E	82-ZM3-334-010		PW, 2.16-6-0.4
33	82-ZM1-227-21K		LVR, TRIG				
34	82-ZM3-306-11K		LVR, FR M2				
35	82-ZM1-265-119		SPR-E, TRIG				

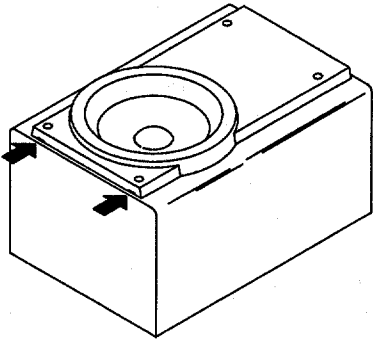
SPRING APPLICATION POSITION (2ZM-3MK2 PR4NM <EZ>)



SPEAKER DISASSEMBLY INSTRUCTIONS

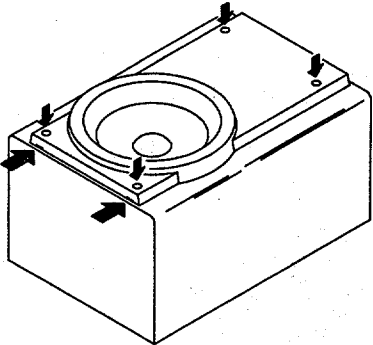
Type.1

Insert a flat-bladed screwdriver into the position indicated by the arrows and remove the panel. Remove the screws of each speaker unit and then remove the speaker units.



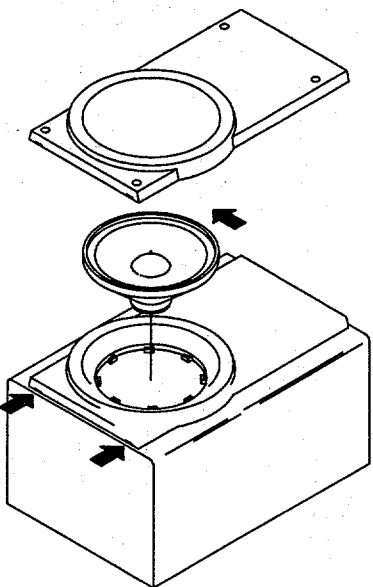
Type.2

Remove the grill frame and four pieces of rubber caps by pulling out with a flat-bladed screwdriver. Remove the screws from hole where installed rubber caps. Insert a flat-bladed screwdriver into the position indicated by the arrows and remove the panel. Remove the screws of each speaker unit and then remove the speaker units.

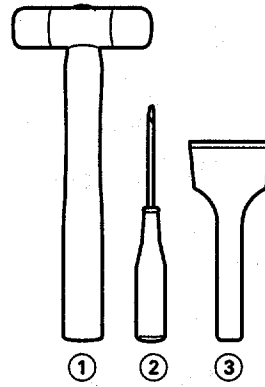


Type.3

Insert a flat-bladed screwdriver into the position indicated by the arrows and remove the panel. Turn the speaker unit to counter-clockwise direction while inserting a flat-bladed screwdriver into one of the hollows around speaker unit, and then remove the speaker unit. After replacing the speaker unit, install it turning to clockwise direction until "click" sound comes out.



Type.4



TOOLS

- ① Plastic head hammer
- ② (⊖) flat head screwdriver
- ③ Cut chisel

How to Remove the PANEL, FR

1. Insert the (⊖) flat head screwdriver tip into the gap between the PANEL, FR and the PANEL, SPKR. Tap the head of the (⊖) flat head screwdriver with the plastic hammer head, and create the clearance as shown in Fig-1.
2. Insert the cut chisel in the clearance, and tap the head of the cut chisel with plastic hammer as shown in Fig-2, to remove the PANEL, FR.
3. Place the speaker horizontally. Tap head of the cut chisel with plastic hammer as shown in Fig-3, and remove the PANEL, FR completely.

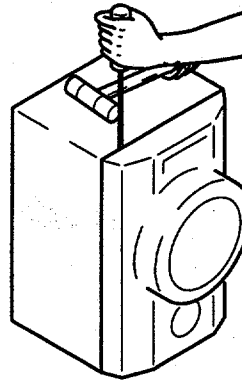


Fig-1

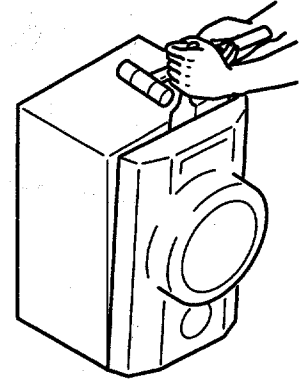


Fig-2

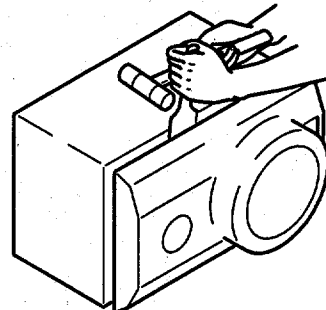


Fig-3

How to Attach the PANEL, FR

Attach the PANEL, FR to the PANEL, SPKR. Tap the four corners of the PANEL, FR with the plastic hammer to fit the PANEL, FR into the PANEL, SPKR completely.

SPEAKER PARTS LIST (SX-NAV504 <YTNL,YBNL>)

If can't understand for Description please kindly refer to "REFERENCE NAME LIST".

REF. NO.	PART NO.	KANRI NO.	DESCRIPTION
1	88-NSU-002-010		PANEL, FR
2	88-NST-006-010		GRILLE, FRAME ASSY
3	83-096-614-010		SPEAKER CODE
4	88-NSU-601-010		TERMINAL, ASSY
5	88-NSU-005-010		PANEL, TW ASSY
6	87-NSG-602-110		SPKR, W 160
7	83-MS2-603-310		SPKR, T 60
8	88-NSU-008-010		PROTECTOR, TW

SPEAKER PARTS LIST (SX-NA502 <YUSTNL>)

If can't understand for Description please kindly refer to "REFERENCE NAME LIST".

REF. NO.	PART NO.	KANRI NO.	DESCRIPTION
1	86-NS5-012-010		BADGE, AIWA 35
2	87-NS7-608-010		SPKR W140
3	87-NS7-610-010		SPKR T60
4	87-NS7-611-010		CORD, SPKR
5	87-NSH-612-010		SPKR, CERAMIC ASSY
6	88-NSJ-001-010		PANEL, FR

SPEAKER PARTS LIST (SX-CR675 <YSTNC, YSTNCC>)

NOTE: This SX-CR675 speaker contains SX-C605 (center speaker) and SX-R275 (rear speaker).

If can't understand for Description please kindly refer to "REFERENCE NAME LIST".

REF. NO.	PART NO.	KANRI NO.	DESCRIPTION
1	87-YS3-001-010		PANEL, FRONT ST(C605)
2	87-YS3-003-010		GRILLE, FRAME ASSY(C605)
3	83-NSM-010-010		SPEAKER CORD(C605)
4	87-YS7-602-010		SPKR, 100(C605)
5	87-YS1-001-010		CABI, REAR(R275)
6	87-YS1-004-010		GRILLE FRAME ASSY(R275)
7	87-YS1-002-010		GRILLE, FRAME(R275)
8	81-VSA-009-010		CORD BUSH(R275)
9	87-YS6-002-010		SPKR, CORD Y(R275)
10	87-YS6-601-010		SPKR, 100(R275)
11	87-010-384-010		CAP, E 100-25 SME(R275)
12	87-YS8-906-010		IB, Y(9L)O(R275)

ACCESSORIES / PACKAGE LIST

If can't understand for Description please kindly refer to "REFERENCE NAME LIST".

REF. NO.	PART NO.	KANRI NO.	DESCRIPTION
1	88-NFU-903-110		IB, U(ESF)M<U>
1	88-NFU-906-010		IB, E(9L)E<EZ>
2	87-006-225-010		AM LOOP ANT NC2
3	87-043-106-010		ANT, FM 1007 AWG<EZ>
4	87-043-115-010		FEEDER-ANT, FM<U>
5	87-NFR-610-010		RC UNIT, RC-7AS09

REFERENCE NAME LIST

ELECTRICAL SECTION

DESCRIPTION	REFERENCE NAME
ANT	ANTENNAS
C-	CHIP
C-CAP	CAP, CHIP
C-CAP TN	CAP, CHIP TANTALUM
C-COIL	COIL, CHIP
C-DI	DIODE, CHIP
C-DIODE	DIODE, CHIP
C-FET	FET, CHIP
C-FOTR	FILTER, CHIP
C-JACK	JACK, CHIP
C-LED	LED, CHIP
C-RES	RES, CHIP
C-SFR	SFR, CHIP
C-SLIDE SW	SLIDE SWITCH, CHIP
C-SW	SWITCH, CHIP
C-TR	TRANSISTOR, CHIP
C-VR	VOLUME, CHIP
C-ZENER	ZENER, CHIP
CAP, CER	CAP, CERA-SOL
CAP, E	CAP, ELECT
CAP, M/F	CAP, FILM
CAP, TC	CAP, CERA-SOL
CAP, TC-U	CAP, CERA-SOL SS
CAP, TN	CAP, TANTALUM
CERA FIL	FILTER, CERAMIC
CF	FILTER, CERAMIC
DL	DELAY LINE
E/CAP	CAP, ELECT
FILT	FILTER
FLTR	FILTER
FUSE RES	RES, FUSE
MOT	MOTOR
P-DIODE	PHOTO DIODE
P-SNSR	PHOTO SENSER
P-TR	PHOTO TRANSISTOR
POLY VARI	VARIABLE CAPACITOR
PPCAP	CAP, PP
PT	POWER TRANSFORMER
PTR, RES	PTR, MELF
RC	REMOTE CONTROLLER
RES NF	RES, NON-FLAMMABLE
RESO	RESONATOR
SHLD	SHIELD
SOL	SOLENOID
SPKR	SPEAKER
SW, LVR	SWITCH, LEVER
SW, RTRY	SWITCH, ROTARY
SW, SL	SWITCH, SLIDE
TC CAP	CAP, CERA-SOL
THMS	THERMISTOR
TR	TRANSISTOR
TRIMER	CAP, TRIMMER
TUN-CAP	VARIABLE CAPACITOR
VIB, CER	RESONATOR, CERAMIC
VIB, XTAL	RESONATOR, CRYSTAL
VR	VOLUME
ZENER	DIODE, ZENER

MECHANICAL SECTION

DESCRIPTION	REFERENCE NAME
ADHESHIVE	SHEET ADHESHIVE
AZ	AZIMUTH
BAR-ANT	BAR-ANTENNA
BAT	BATTERY
BATT	BATTERY
BRG	BEARING
BTN	BUTTON
CAB	CABINET
CASS	CASSETTE
CHAS	CHASSIS
CLR	COLLAR
CONT	CONTROL
CRSR	CURSOR
CU	CUSHION
CUSH	CUSHION
DIR	DIRECTION
DUBB	DUBBING
FL	FRONT LOADING
FLY-WHL	FLYWHEEL
FR	FRONT
FUN	FUNCTION
G-CU	G-CUSHION
HDL	HANDOL
HIMERON	CLOTH
HINGE, BAT	HINGE, BATTERY
HLDR	HOLDER
HT-SINK	HEAT SINK
IB	INSTRUCTION BOOKLET
IDLE	IDLER
IND, L-R	INDICATOR, L-R
KEY, CONT	KEY, CONTROL
KEY, PRGM	KEY, PROGRAM
KNOB, SL	KNOB, SLIDE
LBL	LABEL
LID, BATT	LID, BATTERY
LID, CASS	LID, CASSETTE
LVR	LEVER
P-SP	P-SPRING
PANEL, CONT	PANEL, CONTROL
PANEL, FR	PANEL, FRONT
PRGM	PROGRAM
PULLY, LOAD MO	PULLY, LOAD MOTOR
RBN	RIBBON
S-	SPECIAL
SEG	SEGMENT
SH	SHEET
SHLD-SH	SHIELD-SHEET
SL	SLIDE
SP	SPRING
SP-SCREW	SPECIAL-SCREW
SPACER, BAT	SPACER, BATTERY
SPR	SPRING
SPR-P	P-SPRING
SPR-PC-PUSH	P-SPRING, C-PUSH
T-SP	T-SPRING
TERM	TERMINAL
TRIG	TRIGGER
TUN	TUNING
VOL	VOLUME
W	WASHER
WHL	WHEEL
WORM-WHL	WORM-WHEEL

サービス技術ニュース	
番号	連絡内容
G-	-
G-	-
G-	-

アイワ株式会社
AIWA CO., LTD.

9301978, 750038

Tokyo Japan