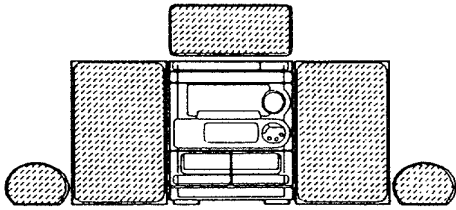


# aiwa



## NSX-AV66



COMPACT DISC STEREO  
CASSETTE RECEIVER

- BASIC TAPE MECHANISM : 2ZM-3MK2 PR4NM
- BASIC CD MECHANISM : 4ZG-1 Z1DNM

- TYPE: HR

### SUPPLEMENT

SYSTEM	CD - CASSEIVER	SPEAKER
NSX-AV66	CX-NAV66	SX-NAV66 SX-CR627

- This Service manual contains information about the difference between NSX-AV66 (HR) and NSX-AV66 (HE). If requiring the other information, see Service Manual of NSX-AV66 (HE). (S/M Code No. 09-979-225-2FE).

# SPECIFICATIONS

## <FM Tuner section>

**Tuning range** 87.5 MHz to 108 MHz  
**Usable sensitivity (IHF)** 13.2 dBf  
**Antenna terminals** 75 ohms (unbalanced)

## <MW Tuner section>

**Tuning range** 531 kHz to 1602 kHz (9 kHz step)  
 530 kHz to 1710 kHz (10 kHz step)  
**Usable sensitivity** 350  $\mu$ V/m  
**Antenna** Loop antenna

## <SW Tuner section>

**Tuning range** 5.900 MHz to 17.900 MHz  
**Antenna** Wire antenna

## <Amplifier section>

**Power output** Front :  
 Rated : 48 W + 48 W (6 ohms, THD 1 %, 1kHz )  
 Reference : 60 W + 60 W (6 ohms, THD 10 %, 1kHz )  
 Surround (rear) :  
 Rated : 10 W + 10 W (16 ohms, THD 1 %, 1kHz )  
 Reference : 12.5 W + 12.5 W (16 ohms, THD 10 %, 1kHz )  
 Center :  
 Rated : 20 W (8 ohms, THD 1 %, 1kHz )  
 Reference : 25 W (8 ohms, THD 10 %, 1kHz )  
**Total harmonic distortion** 0.05 % (40 W, 1 kHz, 6 ohms, DIN AUDIO)  
**Inputs** VIDEO/AUX : 150 mV (adjustable)  
 MIC1, MIC2 : 1 mV (10 kohms)  
 MD : 150mV  
**Outputs** LINE OUT : 200 mV  
 SUPER WOOFER : 1.9 V  
 SPEAKERS: accept speakers of 6 ohms or more  
 SURROUND SPEAKERS : accept speakers of 16 ohms or more  
 PHONES (stereo jack) : accepts headphones of 32 ohms or more

## <Cassette deck section>

**Track format** 4 tracks, 2 channels stereo  
**Frequency response** 50 Hz -15000 Hz  
**Recording system** AC bias  
**Heads** Deck 1 : Playback head x1  
 Deck 2 : Recording/playback/erase head x 1

## <Compact disc player section>


**Laser** Semiconductor laser ( $\lambda = 780$  nm)  
**D-A converter** 1 bit dual  
**Signal-to-noise ratio** 85 dB (1 kHz, 0 dB)  
**Harmonic distortion** 0.05% (1 kHz, 0 dB)  
**Wow and flutter** Unmeasurable

## <Speaker system SX-NAV66>

**Cabinet type** 2 way, bass reflex (magnetic shielded type)  
**Speakers** Woofer :  
 160 mm cone type  
 Tweeter :  
 60 mm cone type  
**Impedance** 6 ohms  
**Dimensions (W x H x D)** 235 x 304 x 250 mm  
**Weight** 4.0 kg

## <General>

**Power requirements** 120 V/ 220 - 230 V/240 V AC, switchable 50/60 Hz  
**Power consumption** 135 W  
**Dimensions of main unit (W x H x D)** 260 x 309 x 346 mm  
**Weight of main unit** 7.5 kg

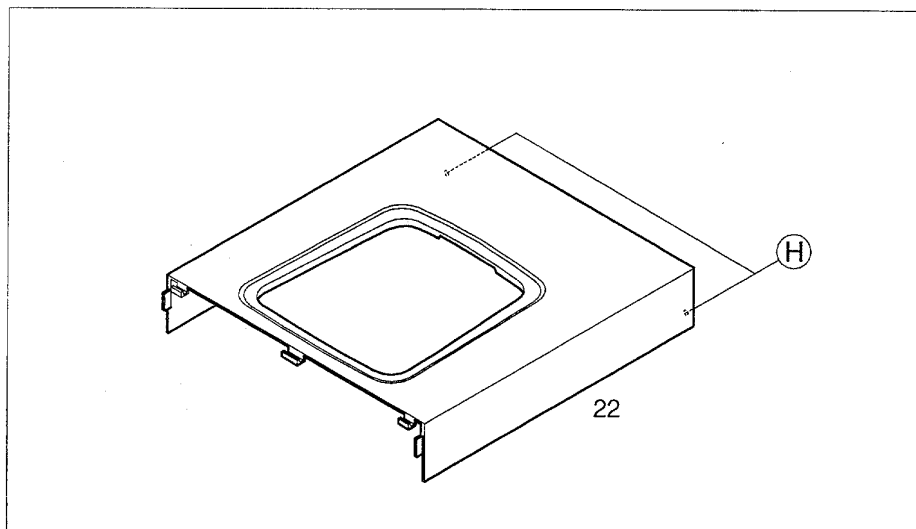
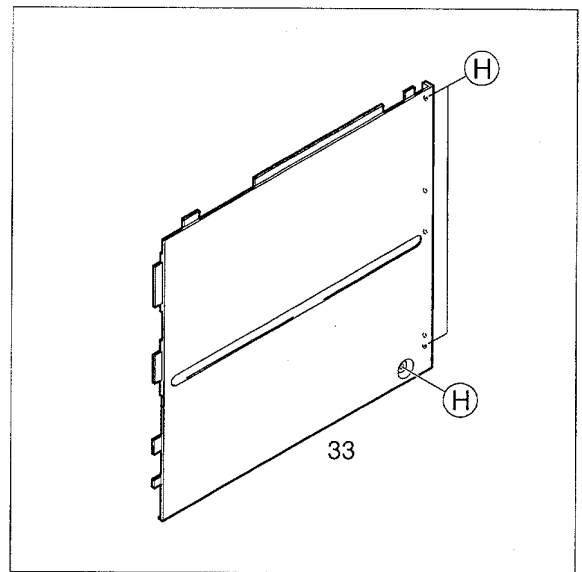
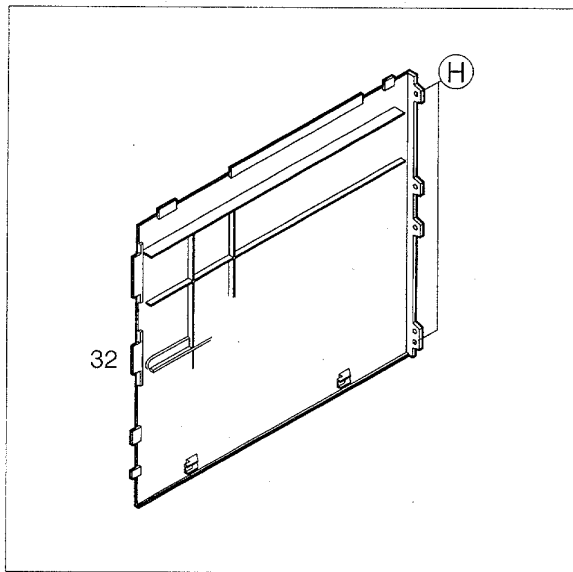
- Design and specifications are subject to change without notice.
  - Manufactured under license from Dolby Laboratories Licensing Corporation.
- "DOLBY", the double-D symbol  and "PRO LOGIC" are trademarks of Dolby Laboratories Licensing Corporation.

## ACCESSORIES / PACKAGE LIST

If can't understand for Description please kindly refer to " REFERENCE NAME LIST ".

REF. NO.	PART NO.	KANRI NO.	DESCRIPTION
1	87-NFU-901-010	IB,H(BCA)	

# MECHANICAL EXPLODED VIEW 1 / 1



## MECHANICAL PARTS LIST 1 / 1

If can't understand for Description please kindly refer to "REFERENCE NAME LIST".

REF. NO.	PART NO.	KANRI NO.	DESCRIPTION
3	87-NF6-011-310		BOX,CASS 1H
4	87-NF6-012-310		BOX,CASS 2H
8	87-NFT-005-110		WINDOW,DISPLAY H
15	87-NFU-018-310		CABI,FR H-HIGH
22	87-NF6-021-010		PANEL, TOP
23	87-NFU-031-210		CABI, REAR
32	87-NF6-022-010		PANEL, LEFT
33	87-NF6-023-110		PANEL, RIGHT
H	87-B10-094-010		UTT2+3-10 W/O SLOT BLK

# REFERENCE NAME LIST

## ELECTRICAL SECTION

DESCRIPTION	REFERENCE NAME
ANT	ANTENNAS
C-	CHIP
C-CAP	CAP, CHIP
C-CAP TN	CAP, CHIP TANTALUM
C-COIL	COIL, CHIP
C-DI	DIODE, CHIP
C-DIODE	DIODE, CHIP
C-FET	FET, CHIP
C-FOTR	FILTER, CHIP
C-JACK	JACK, CHIP
C-LED	LED, CHIP
C-RES	RES, CHIP
C-SFR	SFR, CHIP
C-SLIDE SW	SLIDE SWITCH, CHIP
C-SW	SWITCH, CHIP
C-TR	TRANSISTOR, CHIP
C-VR	VOLUME, CHIP
C-ZENER	ZENER, CHIP
CAP, CER	CAP, CERA-SOL
CAP, E	CAP, ELECT
CAP, M/F	CAP, FILM
CAP, TC	CAP, CERA-SOL
CAP, TC-U	CAP, CERA-SOL SS
CAP, TN	CAP, TANTALUM
CERA FIL	FILTER, CERAMIC
CF	FILTER, CERAMIC
DL	DELAY LINE
E/CAP	CAP, ELECT
FILT	FILTER
FLTR	FILTER
FUSE RES	RES, FUSE
MOT	MOTOR
P-DIODE	PHOTO DIODE
P-SNSR	PHOTO SENSER
P-TR	PHOTO TRANSISTOR
POLY VARI	VARIABLE CAPACITOR
PPCAP	CAP, PP
PT	POWER TRANSFORMER
PTR, RES	PTR, MELF
RC	REMOTE CONTROLLER
RES NF	RES, NON-FLAMMABLE
RESO	RESONATOR
SHLD	SHIELD
SOL	SOLENOID
SPKR	SPEAKER
SW, LVR	SWITCH, LEVER
SW, RTRY	SWITCH, ROTARY
SW, SL	SWITCH, SLIDE
TC CAP	CAP, CERA-SOL
THMS	THERMISTOR
TR	TRANSISTOR
TRIMER	CAP, TRIMMER
TUN-CAP	VARIABLE CAPACITOR
VIB, CER	RESONATOR, CERAMIC
VIB, XTAL	RESONATOR, CRYSTAL
VR	VOLUME
ZENER	DIODE, ZENER

## MECHANICAL SECTION

DESCRIPTION	REFERENCE NAME
ADHESHIVE	SHEET ADHESHIVE
AZ	AZIMUTH
BAR-ANT	BAR-ANTENNA
BAT	BATTERY
BATT	BATTERY
BRG	BEARING
BTN	BUTTON
CAB	CABINET
CASS	CASSETTE
CHAS	CHASSIS
CLR	COLLAR
CONT	CONTROL
CRSR	CURSOR
CU	CUSHION
CUSH	CUSHION
DIR	DIRECTION
DUBB	DUBBING
FL	FRONT LOADING
FLY-WHL	FLYWHEEL
FR	FRONT
FUN	FUNCTION
G-CU	G-CUSHION
HDL	HANDOL
HIMERON	CLOTH
HINGE, BAT	HINGE, BATTERY
HLDR	HOLDER
HT-SINK	HEAT SINK
IB	INSTRUCTION BOOKLET
IDLE	IDLER
IND, L-R	INDICATOR, L-R
KEY, CONT	KEY, CONTROL
KEY, PRGM	KEY, PROGRAM
KNOB, SL	KNOB, SLIDE
LBL	LABEL
LID, BATT	LID, BATTERY
LID, CASS	LID, CASSETTE
LVR	LEVER
P-SP	P-SPRING
PANEL, CONT	PANEL, CONTROL
PANEL, FR	PANEL, FRONT
PRGM	PROGRAM
PULLY, LOAD MO	PULLY, LOAD MOTOR
RBN	RIBBON
S-	SPECIAL
SEG	SEGMENT
SH	SHEET
SHLD-SH	SHIELD-SHEET
SL	SLIDE
SP	SPRING
SP-SCREW	SPECIAL-SCREW
SPACER, BAT	SPACER, BATTERY
SPR	SPRING
SPR-P	P-SPRING
SPR-PC-PUSH	P-SPRING, C-PUSH
T-SP	T-SPRING
TERM	TERMINAL
TRIG	TRIGGER
TUN	TUNING
VOL	VOLUME
W	WASHER
WHL	WHEEL
WORM-WHL	WORM-WHEEL

サービス技術ニュース	
番号	連絡内容
G-	-
G-	-
G-	-

**アイワ株式会社**  
**AIWA CO., LTD.**

9301946

Tokyo Japan