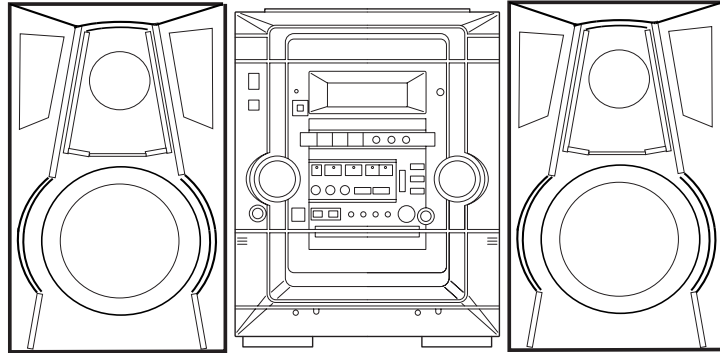


NSX-BL24 EZ, K
NSX-BL26 EZ
NSX-BL28 EZ, K



SERVICE MANUAL

COMPACT DISC STEREO SYSTEM

BASIC TAPE MECHANISM : ZZM-3 YPR1NC
 BASIC CD MECHANISM : AZG-1 ZD8RDC

SYSTEM	CD CASSEIVER	SPEAKER	REMOTE CONTROLLER
NSX-BL24	CX-NBL24	SX-NBL25	RC-ZAS02
NSX-BL26	CX-NBL26	SX-NBL26	
NSX-BL28	CX-NBL28	SX-NBL28 <SUB WOOFER> SX-S20 <SATELLITE>	

- This Service Manual is the "Revision Publishing" and replaces "Simple Manual" NSX-BL24 <EZ, K> / BL26 <EZ> / BL28 <EZ> (S/M Code No. 09-003-426-1T2) & NSX-BL28 <K> (S/M Code No. 09-004-426-1T3).
- If requiring information about the CD mechanism, see Service Manual of AZG-1, (S/M Code No. 09-001-335-3NA).

SPECIFICATIONS

Main unit CX-NBL24/26/28

<FM Tuner section>

Tuning range	87.5 MHz to 108 MHz
Usable sensitivity (IHF)	16.8 dBf
Antenna terminal	75 ohms (unbalanced)

<MW Tuner section>

Tuning range	531 kHz to 1602 kHz (9 kHz step) 530 kHz to 1710 kHz (10 kHz step)
Usable sensitivity	350 μ V/m
Antenna	Loop antenna

<LW Tuner section>

Tuning range	144 kHz to 290 kHz
Usable sensitivity	1400 μ V/m
Antenna	Loop antenna

<Amplifier section>

Power output	Rated: 18 W + 18 W (6 ohms, T.H.D. 1 %, 1 kHz/DIN 45500) Reference: 20 W + 20 W (6 ohms, T.H.D. 10 %, 1 kHz/DIN 45324) DIN MUSIC POWER: 40 W + 40 W
---------------------	---

Total harmonic distortion	0.08 % (12 W, 1 kHz, 6 ohms, DIN AUDIO)
----------------------------------	--

Inputs	VIDEO/AUX: 500 mV
Outputs	SPEAKERS: accepts speakers of 6 ohms or more PHONES (stereo jack): accepts headphones of 32 ohms or more

<Cassette deck section>

Track format	4 tracks, 2 channels stereo
Frequency response	50 Hz – 15 kHz
Recording system	AC bias
Heads	DECK 1: Playback head x 1 DECK 2: Recording/playback head x 1, erase head x 1

<Compact disc player section>

Laser	Semiconductor laser ($\lambda = 780$ nm)
D/A converter	1 bit dual
Signal-to-noise ratio	85 dB (1 kHz, 0 dB)
Harmonic distortion	0.05 % (1 kHz, 0 dB)

<General>

Power requirements	230 V AC, 50 Hz
Power consumption	80 W
Power consumption in standby mode	14 W with power-economizing mode off 0.9 W with power-economizing mode on
Dimensions (W x H x D)	260 x 328 x 329 mm
Weight	6.2 kg

Speaker system SX-NBL25 <NSX-BL24>

Speaker system SX-NBL26 <NSX-BL26>

Speaker system	3 way, bass reflex (magnetic shield type)
Speaker units	Woofers: 140 mm cone type Tweeters: 60 mm cone type Super tweeter: 20 mm ceramic type

Impedance	6 ohms
Sensitivity	87 dB/W/m
Dimensions (W x H x D)	202 x 324 x 219 mm
Weight	3.8 kg

Subwoofer SX-NBL28 <NSX-BL28>

Speaker system	Subwoofer system (magnetic shield type)
Speaker unit	200 mm cone type
Impedance	6 ohms
Sensitivity	87 dB/W/m
Dimensions (W x H x D)	250 x 324 x 293 mm
Weight	4.0 kg

Satellite speakers SX-S20 <NSX-BL28>

Speaker system	Full range (magnetic shield type)
Speaker unit	80 mm cone type
Impedance	6 ohms
Sensitivity	87 dB/W/m
Dimensions (W x H x D)	100 x 327 x 105 mm (with pedestal) 100 x 190 x 81 mm (without pedestal)
Weight	0.6 kg

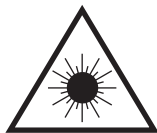
- Design and specifications are subject to change without notice.
- The word "BBE" and the "BBE symbol" are trademarks of BBE Sound, Inc.
Under license from BBE Sound, Inc.

PROTECTION OF EYES FROM LASER BEAM DURING SERVICING

This set employs laser. Therefore, be sure to follow carefully the instructions below when servicing.

WARNING!!

WHEN SERVICING, DO NOT APPROACH THE LASER EXIT WITH THE EYE TOO CLOSELY. IN CASE IT IS NECESSARY TO CONFIRM LASER BEAM EMISSION. BE SURE TO OBSERVE FROM A DISTANCE OF MORE THAN 30cm FROM THE SURFACE OF THE OBJECTIVE LENS ON THE OPTICAL PICK-UP BLOCK.



- Caution: Invisible laser radiation when open and interlocks defeated avoid exposure to beam.
- Advarsel: Usynlig laserstråling ved åbning, når sikkerhedsafbrydere er ude af funktion. Undgå udsættelse for stråling.

VAROITUS!

Laiteen Käyttäminen muulla kuin tässä käyttöohjeessa mainitulla tavalla saattaa altistaa käyt-täjän turvallisuusluokan 1 ylittävälle näkymättömälle lasersäteilylle.

WARNING!

Om apparaten används på annat sätt än vad som specificeras i denna bruksanvisning, kan användaren utsättas för osynlig laserstråling, som överskrider gränsen för laserklass 1.

CAUTION

Use of controls or adjustments or performance of procedures other than those specified herein may result in hazardous radiation exposure.

ATTENTION

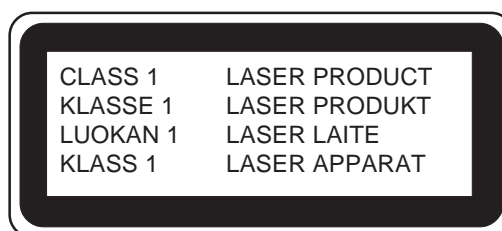
L'utilisation de commandes, réglages ou procédures autres que ceux spécifiés peut entraîner une dangereuse exposition aux radiations.

ADVARSEL

Usynlig laserstråling ved åbning, når sikkerhedsafbrydere er ude af funktion. Undgå udsættelse for stråling.

This Compact Disc player is classified as a CLASS 1 LASER product.

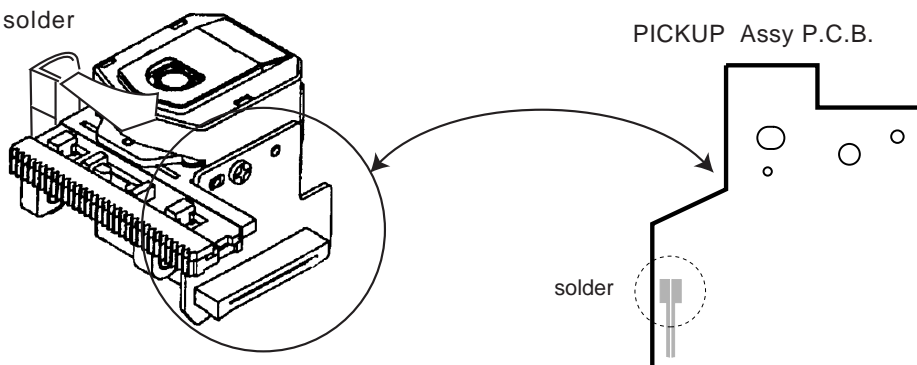
The CLASS 1 LASER PRODUCT label is located on the rear exterior.



Precaution to replace Optical block (KSM – 880CAB)

Body or clothes electrostatic potential could ruin laser diode in the optical block. Be sure ground body and workbench, and use care the clothes do not touch the diode.

- 1) After the connection, remove solder shown in the right figure.



NOTE ON BEFORE STARTING REPAIR

1. Forced discharge of electrolytic capacitor of power supply block

When repair is going to be attempted in the set that uses relay circuit in the power supply block, electric potential is kept charged across the electrolytic capacitors (C101, 102) even though AC power cord is removed. If repair is attempted in this condition, secondary defect can occur.

In order to prevent the secondary trouble, perform the following measures before starting repair work.

Discharge procedure

- 1 Remove the AC power cord.
- 2 Connect a discharging resistor at an end of lead wire that has clips at both ends. Connect the other end of the lead wire to metal chassis.
- 3 Contact the other end of the discharging resistor to the positive (+) side (+VH) of C101. (For two seconds)
- 4 Contact the same end of the discharging resistor as step 3 to the negative (-) side (-VH) of C102 in the same way. (For two seconds)
- 5 Check that voltage across C101 and C102 has decreased to 1 V or less using a multimeter or an oscilloscope.

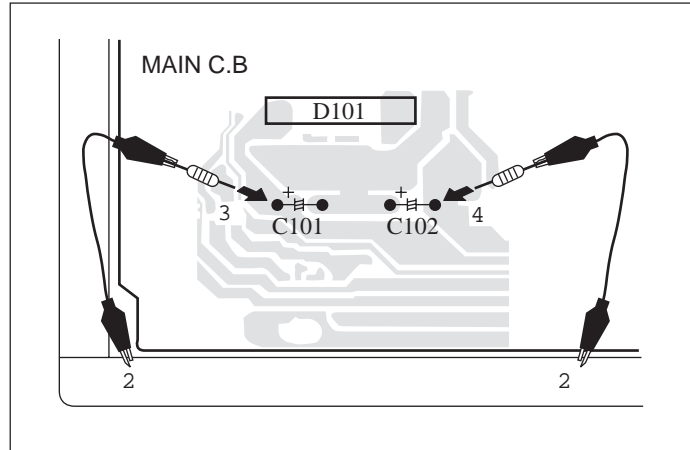


Fig-1

Select a discharging resistor referring to the following table.

Charging voltage (V) (C101, 102)	Discharging resistor (Ω)	Rated power (W)	Parts number
25-48	100	3	87-A00-247-090
49-140	220	5	87-A00-232-090

Note: The reference numbers (C101, C102) of the electrolytic capacitors can change depending on the models. Be sure to check the reference numbers of the charging capacitors on schematic diagram before starting the discharging work.

2. Check items before exchanging the MICROCOMPUTER

Be sure to check the following items before exchanging the MICROCOMPUTER. Exchange the MICROCOMPUTER after confirming that the MICROCOMPUTER is surely defective.

2-1. Regarding the HOLD terminal of the MICROCOMPUTER

When the HOLD terminal (INPUT) of the MICROCOMPUTER is "H", the MICROCOMPUTER is judged to be operating correctly. When this terminal is "L", the main power cannot be turned on. Therefore, be sure to check the terminal voltage of the HOLD terminal before exchange.

When the MICROCOMPUTER is not defective, the HOLD terminal can also go "L" when the POWER AMPLIFIER has any abnormalities that triggers the abnormality detection circuit on the MAIN C. B. that sets the HOLD terminal to "L".

- Good or no good judgement of the MICROCOMPUTER

- 1 Turn on the AC main power.
- 2 Confirm that the main power is turned on and the HOLD terminal of the MICROCOMPUTER keeps the "H" level or not.
- 3 When the HOLD terminal is "L" level, the abnormality detection circuit is judged to be working correctly and the MICROCOMPUTER is judged to be good.

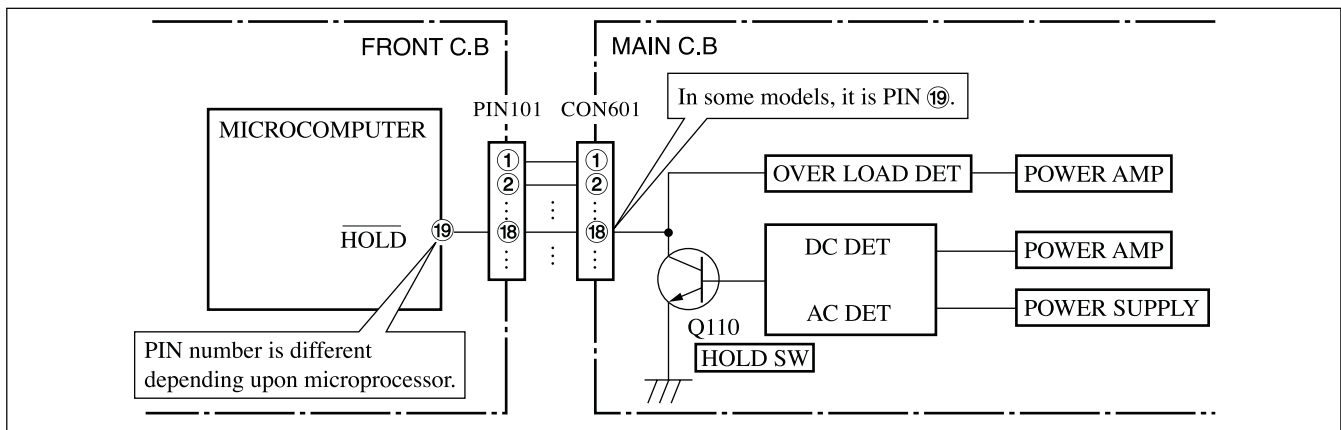


Fig-2-1

In such a case, check also if the POWER AMPLIFIER circuit or power supply circuit has any abnormalities or not.

2-2. Regarding reset

There are cases that the machine does not work correctly because the MICROCOMPUTER is not reset even though the AC power cord is re-inserted, or the software reset (pressing the STOP key + POWER key) is performed.

When the above described phenomenon occurs, it can lead to wrong judgement as if the MICROCOMPUTER is defective and to exchange the MICROCOMPUTER. In such a case, perform the forced-reset by the following procedure and check good or no good of the MICROCOMPUTER.

- 1 Remove the AC power cord.

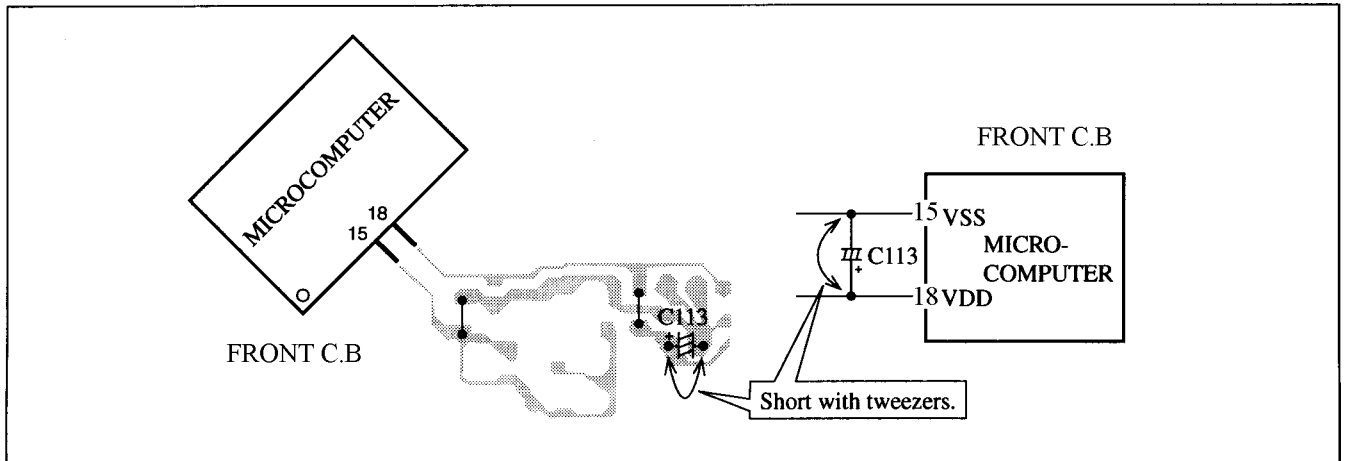


Fig-2-2

- 2 Short both ends of the electrolytic capacitor C113 that is connected to VDD of the MICROCOMPUTER with tweezers.
- 3 Connect the AC power cord again. If the MICROCOMPUTER returns to the normal operation, the MICROCOMPUTER is good.

Note: The reference number or MICROCOMPUTER pin number of transistor (Q110) and electrolytic capacitor (C113) can change depending on the models. Be sure to check the reference numbers on schematic diagram before starting the discharging work.

2-3. Confirmation of soldering state of MICROCOMPUTER

Check the soldering state of the MICROCOMPUTER in addition to the above described procedures. Be sure to exchange the MICROCOMPUTER after surely confirming that the trouble is not caused by poor soldering but the MICROCOMPUTER itself.

ELECTRICAL MAIN PARTS LIST

REF. NO.	PART NO.	KANRI NO.	DESCRIPTION	REF. NO.	PART NO.	KANRI NO.	DESCRIPTION
IC				C21	87-A10-520-000		CAP,E 3300-35 M SMG<EXCEPT 28K>
	87-A21-269-010	IC,EW732		C22	87-A12-182-090		CAP,E 3300-35 M 85 SAMXON<28K>
	87-A21-397-010	IC,STK490-070		C22	87-A10-520-000		CAP,E 3300-35 M SMG<EXCEPT 28K>
	87-A21-419-040	C-IC,NJM14558MD-TE2		C25	87-010-385-080		CAP,ELECT 220-25V
	87-A21-401-040	C-IC,M61503FP		C26	87-010-247-080		CAP,ELECT 100-50V
	87-A21-415-010	IC,LA1843<EXCEPT 28K>		C30	87-010-430-080		CAP,ELECT 100-63
	87-A21-560-010	IC,LA1844L-A<28K>		C31	87-010-263-080		CAP,ELECT 100-10V
	87-A20-440-040	C-IC,BU1920FS<26EZ>		C32	87-010-197-080		CAP,CHIP 0.01 DM
	8A-NF9-601-110	C-IC,UPD780226GF-014-3BA<EXCEPT 26EZ>		C34	87-010-247-080		CAP,ELECT 100-50V
	8A-NF9-602-110	C-IC,UPD780228GF-064-3BA<26EZ>		C35	87-010-380-080		CAP,ELECT 47-16V
	87-A21-482-010	IC,RPM6938-H4		C36	87-010-381-080		CAP,ELECT 330-16V
	87-070-127-110	IC,LC72131D		C38	87-010-197-080		CAP,CHIP 0.01 DM
				C60	87-010-403-080		CAP,ELECT 3.3-50V
				C61	87-010-260-080		CAP,ELECT 47-25V
				C97	87-010-196-080		CHIP CAPACITOR,0.1-25
TRANSISTOR				C99	87-010-196-080		CHIP CAPACITOR,0.1-25
	87-026-609-080	TR,KTA1266GR		C101	87-010-185-080		C-CAP,S 3900P-50 B
	89-213-702-010	TR,2SB1370E		C102	87-010-185-080		C-CAP,S 3900P-50 B
	87-026-610-080	TR,KTC3198GR		C103	87-010-545-080		CAP,ELECT 0.22-50V
	87-A30-076-080	C-TR,2SC3052F		C104	87-010-545-080		CAP,ELECT 0.22-50V
	87-A30-075-080	C-TR,2SA1235F		C105	87-010-187-080		CAP,CHIP S5600P
	87-A30-484-080	C-TR,KRA102S<EXCEPT 28K>		C106	87-010-187-080		CAP,CHIP S5600P
	87-A30-074-080	C-TR,RT1P141C		C107	87-010-404-080		CAP,ELECT 4.7-50V
	87-A30-468-080	C-TR,KRC102S-RTK		C108	87-010-404-080		CAP,ELECT 4.7-50V
	87-A30-107-070	C-TR,CMBT5401		C109	87-010-322-080		C-CAP,S 100P-50 CH
	87-A30-106-040	C-TR,CMBT5551		C110	87-010-322-080		C-CAP,S 100P-50 CH
	87-026-235-080	C-TR,DTC114EK		C111	87-010-391-080		CAP,E 10-35 SME
	87-A30-087-080	C-FET,2SK2158		C112	87-010-391-080		CAP,E 10-35 SME
	87-A30-091-080	FET,2SJ460		C113	87-010-405-080		CAP,ELECT 10-50V
	87-A30-090-080	FET,2SK2541		C114	87-010-405-080		CAP,ELECT 10-50V
	87-A30-062-080	C-TR,KRC104S		C119	87-010-197-080		CAP,CHIP 0.01 DM
	87-A30-318-080	TR,CSA952K		C120	87-010-197-080		CAP,CHIP 0.01 DM
	89-333-317-880	TR,2SC3331(T/U)		C123	87-010-176-080		C-CAP,S 680P-50 SL
	87-A30-329-080	TR,CD1585BC		C124	87-010-176-080		C-CAP,S 680P-50 SL
	89-327-143-080	C-TR,2SC27140		C125	87-012-368-080		C-CAP,S 0.1-50 F
	87-A30-072-080	C-TR,RT1P144C		C126	87-012-368-080		C-CAP,S 0.1-50 F
	87-A30-086-040	C-TR,CSD1306E		C127	87-012-368-080		C-CAP,S 0.1-50 F
	89-503-602-080	C-FET,2SK360E		C128	87-012-368-080		C-CAP,S 0.1-50 F
	87-A30-234-080	TR,CSC4115BC		C129	87-010-191-080		C-CAP,S 0.015-50 F
				C130	87-010-191-080		C-CAP,S 0.015-50 F
DIODE				C131	87-010-197-080		CAP,CHIP 0.01 DM
	87-A40-736-080	DIODE,1N4148M(SEM)<EXCEPT 28K>		C132	87-010-197-080		CAP,CHIP 0.01 DM
	87-A40-553-080	DIODE,1N4003 LES		C133	87-010-186-080		CAP,CHIP 4700P
	87-A40-776-080	ZENER,UZ27BSD		C140	87-010-182-080		C-CAP,S 2200P-50 B
	87-020-465-080	DIODE,1SS133<28K>		C141	87-010-196-080		CHIP CAPACITOR,0.1-25
	87-A40-764-080	ZENER,UZ10BSC		C239	87-010-196-080		CHIP CAPACITOR,0.1-25
	87-A40-313-080	C-DIODE,MC2840		C301	87-010-178-080		CHIP CAP,1000P
	87-A40-270-080	C-DIODE,MC2838		C302	87-010-178-080		CHIP CAP,1000P
	87-A40-269-080	C-DIODE,MC2836		C303	87-010-178-080		CHIP CAP,1000P
	87-A40-854-080	ZENER,UZ15BSA		C304	87-010-178-080		CHIP CAP,1000P
	87-A40-752-080	ZENER,UZ6.2BSC		C307	87-010-263-080		CAP,ELECT 100-10V
	87-A40-739-080	ZENER,UZ2.7BSA		C308	87-010-263-080		CAP,ELECT 100-10V
	87-017-149-080	ZENER,HZS6A2L		C309	87-010-318-080		C-CAP,S 47P-50 CH
				C310	87-010-318-080		C-CAP,S 47P-50 CH
				C313	87-010-188-080		CAP,CHIP 6800P
MAIN C.B				C314	87-010-188-080		CAP,CHIP 6800P
C3	87-012-368-080	C-CAP,S 0.1-50 F		C315	87-010-263-080		CAP,ELECT 100-10V
C4	87-012-368-080	C-CAP,S 0.1-50 F		C317	87-010-546-080		CAP,ELECT 0.33-50V
C5	87-012-368-080	C-CAP,S 0.1-50 F		C318	87-010-546-080		CAP,ELECT 0.33-50V
C6	87-012-368-080	C-CAP,S 0.1-50 F		C326	87-010-198-080		CAP,CHIP 0.022
C9	87-012-368-080	C-CAP,S 0.1-50 F		C327	87-012-368-080		C-CAP,S 0.1-50 F
C10	87-012-368-080	C-CAP,S 0.1-50 F		C360	87-010-401-080		CAP,ELECT 1-50V
C11	87-012-368-080	C-CAP,S 0.1-50 F		C399	87-012-140-080		CAP,470P
C12	87-012-368-080	C-CAP,S 0.1-50 F		C401	87-010-544-080		CAP,ELECT 0.1-50V
C19	87-A12-193-090	CAP,E 2200-50 M 85 SAMXON<28K>		C402	87-010-544-080		CAP,ELECT 0.1-50V
C19	87-A10-627-000	CAP,E 2200-50 M SMG<EXCEPT 28K>		C403	87-010-321-080		CHIP CAPACITOR,82P(J)
C20	87-A12-193-090	CAP,E 2200-50 M 85 SAMXON<28K>		C404	87-010-321-080		CHIP CAPACITOR,82P(J)
C20	87-A10-627-000	CAP,E 2200-50 M SMG<EXCEPT 28K>		C405	87-010-197-080		CAP,CHIP 0.01 DM
C21	87-A12-182-090	CAP,E 3300-35 M 85 SAMXON<28K>		C406	87-010-197-080		CAP,CHIP 0.01 DM
				C407	87-010-197-080		CAP,CHIP 0.01 DM

REF. NO.	PART NO.	KANRI NO.	DESCRIPTION	REF. NO.	PART NO.	KANRI NO.	DESCRIPTION
C408	87-010-197-080		CAP,CHIP 0.01 DM	C821	87-010-405-080		CAP,ELECT 10-50V
C409	87-010-182-080		C-CAP,S 2200P-50 B	C823	87-012-349-080		C-CAP,S 1000P-50 CH
C410	87-010-182-080		C-CAP,S 2200P-50 B	C824	87-010-405-080		CAP,ELECT 10-50V
C411	87-010-405-080		CAP,ELECT 10-50V	C825	87-010-596-080		CAP,S 0.047-16
C412	87-010-405-080		CAP,ELECT 10-50V	C831	87-010-406-080		CAP,ELECT 22-50
C452	87-010-382-080		CAP,ELECT 22-25V	C842	87-010-197-080		CAP,CHIP 0.01 DM
C453	87-010-183-080		C-CAP,S 2700P-50 B	C844	87-010-197-080		CAP,CHIP 0.01 DM
C454	87-010-183-080		C-CAP,S 2700P-50 B	C850	87-010-260-080		CAP,ELECT 47-25V
C455	87-010-183-080		C-CAP,S 2700P-50 B	C851	87-010-197-080		CAP,CHIP 0.01 DM
C456	87-010-197-080		CAP,CHIP 0.01 DM	C852	87-010-197-080		CAP,CHIP 0.01 DM
C458	87-010-178-080		CHIP CAP,1000P	C853	87-010-197-080		CAP,CHIP 0.01 DM
C459	87-010-175-080		CAP,560P	C858	87-010-196-080		CHIP CAPACITOR,0.1-25
C460	87-010-196-080		CHIP CAPACITOR,0.1-25	C859	87-010-196-080		CHIP CAPACITOR,0.1-25
C461	87-012-158-080		C-CAP,S 390P-50 CH	C860	87-010-197-080		CAP,CHIP 0.01 DM
C462	87-012-158-080		C-CAP,S 390P-50 CH	C869	87-010-197-080		CAP,CHIP 0.01 DM<26EZ>
C605	87-010-179-080		CAP,CHIP S B1200P	C871	87-012-156-080		C-CAP,S 220P-50 CH<26EZ>
C606	87-010-179-080		CAP,CHIP S B1200P	C872	87-012-156-080		C-CAP,S 220P-50 CH<26EZ>
C609	87-010-213-080		C-CAP,S 0.015-50 B	C873	87-012-140-080		CAP,470P<26EZ>
C610	87-010-213-080		C-CAP,S 0.015-50 B	C874	87-010-405-080		CAP,ELECT 10-50V<26EZ>
C611	87-010-545-080		CAP,ELECT 0.22-50V	C875	87-010-196-080		CHIP CAPACITOR,0.1-25<26EZ>
C612	87-010-545-080		CAP,ELECT 0.22-50V	C876	87-010-405-080		CAP,ELECT 10-50V<26EZ>
C613	87-010-545-080		CAP,ELECT 0.22-50V	C877	87-010-197-080		CAP,CHIP 0.01 DM<26EZ>
C614	87-010-545-080		CAP,ELECT 0.22-50V	C878	87-010-316-080		C-CAP,S 33P-50 CH<26EZ>
C615	87-010-154-080		CAP,CHIP 10P	C879	87-010-314-080		C-CAP,S 22P-50V<26EZ>
C616	87-010-221-080		CAP,ELECT 470-10V	C940	87-010-197-080		CAP,CHIP 0.01 DM
C617	87-010-221-080		CAP,ELECT 470-10V	C942	87-010-149-080		C-CAP,S 5P-50 CH
C618	87-010-405-080		CAP,ELECT 10-50V	C947	87-010-197-080		CAP,CHIP 0.01 DM
C630	87-016-669-080		C-CAP,S 0.1-25 K B	C948	87-012-140-080		CAP,470P
C631	87-010-185-080		C-CAP,S 3900P-50 B	C952	87-010-197-080		CAP,CHIP 0.01 DM
C632	87-010-185-080		C-CAP,S 3900P-50 B	C957	87-010-311-080		CAP,12P
C633	87-016-369-080		C-CAP,S 0.033-25 B K	C958	87-010-197-080		CAP,CHIP 0.01 DM
C634	87-016-369-080		C-CAP,S 0.033-25 B K	C959	87-010-196-080		CHIP CAPACITOR,0.1-25
C669	87-010-322-080		C-CAP,S 100P-50 CH	C960	87-010-196-080		CHIP CAPACITOR,0.1-25
C670	87-010-322-080		C-CAP,S 100P-50 CH	C962	87-010-401-080		CAP,ELECT 1-50V
C677	87-010-197-080		CAP,CHIP 0.01 DM	C963	87-015-785-080		CHIP CAPACITOR,0.1FZ-25Z
C771	87-010-263-080		CAP,ELECT 100-10V	C971	87-010-381-080		CAP,ELECT 330-16V
C772	87-010-197-080		CAP,CHIP 0.01 DM	C972	87-010-404-080		CAP,ELECT 4.7-50V
C779	87-010-971-080		C-CAP,S 4700P-50 B J	C973	87-010-197-080		CAP,CHIP 0.01 DM
C780	87-010-971-080		C-CAP,S 4700P-50 B J	C974	87-010-197-080		CAP,CHIP 0.01 DM
C782	87-010-197-080		CAP,CHIP 0.01 DM	C979	87-010-322-080		C-CAP,S 100P-50 CH
C783	87-010-197-080		CAP,CHIP 0.01 DM	C981	87-010-260-080		CAP,ELECT 47-25V
C784	87-010-197-080		CAP,CHIP 0.01 DM	C982	87-010-196-080		CHIP CAPACITOR,0.1-25
C785	87-010-197-080		CAP,CHIP 0.01 DM	C983	87-010-197-080		CAP,CHIP 0.01 DM
C786	87-010-197-080		CAP,CHIP 0.01 DM	C984	87-010-197-080		CAP,CHIP 0.01 DM
C788	87-010-149-080		C-CAP,S 5P-50 CH	C985	87-010-322-080		C-CAP,S 100P-50 CH
C789	87-A10-801-080		C-CAP,S 0.022-16 JB CM<28K>	C987	87-010-197-080		CAP,CHIP 0.01 DM
C789	87-A11-532-080		C-CAP,S 0.022-50 J B<EXCEPT 28K>	C989	87-010-197-080		CAP,CHIP 0.01 DM
C790	87-A10-801-080		C-CAP,S 0.022-16 JB CM<28K>	C991	87-010-312-080		C-CAP,S 15P-50 CH
C790	87-A11-532-080		C-CAP,S 0.022-50 J B<EXCEPT 28K>	C992	87-010-312-080		C-CAP,S 15P-50 CH
C791	87-010-196-080		CHIP CAPACITOR,0.1-25	C993	87-010-178-080		CHIP CAP,1000P
C792	87-010-197-080		CAP,CHIP 0.01 DM	C995	87-010-178-080		CHIP CAP,1000P
C793	87-010-404-080		CAP,ELECT 4.7-50V	C997	87-010-196-080		CHIP CAPACITOR,0.1-25
C795	87-010-197-080		CAP,CHIP 0.01 DM	C998	87-010-260-080		CAP,ELECT 47-25V
C796	87-010-197-080		CAP,CHIP 0.01 DM	C999	87-A11-155-080		CAP,TC U 0.01-16 Z F
C797	87-010-405-080		CAP,ELECT 10-50V	CF831	87-008-423-010		FLTR,CF SFE10.7MS3G-A
C798	87-010-197-080		CAP,CHIP 0.01 DM	CF832	82-785-747-010		CF,MS2 GHY,R
C799	87-010-407-080		CAP,ELECT 33-50V	CN301	87-A60-620-010		CONN,3P V 2MM JMT
C800	87-012-369-080		C-CAP,S 0.047-50F	CN351	87-A60-625-010		CONN,8P V 2MM JMT
C801	87-010-403-080		CAP,ELECT 3.3-50V	CN601	87-099-719-010		CONN,30P TYK-B(X)
C802	87-010-194-080		CAP,CHIP 0.047	CN602	87-A60-131-010		CONN,6P V FE
C803	87-010-198-080		CAP,CHIP 0.022	FB303	87-008-474-080		F-BEAD,EMI BL02RN1
C804	87-010-263-080		CAP,ELECT 100-10V	FFC602	88-906-251-110		FF-CABLE,6P 1.25
C807	87-010-400-080		CAP,ELECT 0.47-50V	FFE831	A8-6ZA-19C-170		6ZA-1 YFEENC
C808	87-010-401-080		CAP,ELECT 1-50V	J202	87-A60-488-010		JACK,DIA6.3 BLK ST W/SW KM16AT
C809	87-010-401-080		CAP,ELECT 1-50V	J203	87-A60-238-010		TERMINAL,SP 4P (MSC)
C810	87-010-196-080		CHIP CAPACITOR,0.1-25	J602	87-A60-881-010		JACK,PIN 2P MSP 242V05 PBSN
C814	87-010-197-080		CAP,CHIP 0.01 DM	J832	87-A60-403-010		TERMINAL,ANT PAL 2P HSP-312V05
C815	87-010-400-080		CAP,ELECT 0.47-50V	L101	87-A50-610-010		COIL,1UH K(MDEC)
C816	87-010-400-080		CAP,ELECT 0.47-50V	L102	87-A50-610-010		COIL,1UH K(MDEC)
C818	87-010-180-080		C-CAP,CER 1500P	L451	87-007-342-010		COIL,OSC 85K BIAS

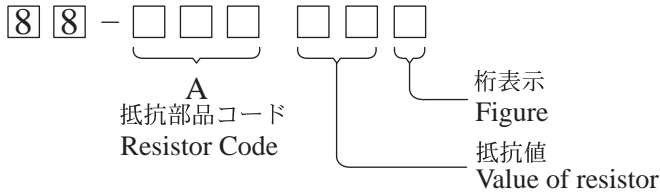
REF. NO.	PART NO.	KANRI NO.	DESCRIPTION	REF. NO.	PART NO.	KANRI NO.	DESCRIPTION
L801	87-A50-540-010		COIL,FM DET(TOK)<EXCEPT 28K>	C920	87-012-369-080		C-CAP,S 0.047-50F
L801	87-A50-608-010		COIL,FM DET-N(TOK)<28K>	C921	87-010-186-080		CAP,CHIP 4700P
L802	87-A91-551-010		FLTR,PCFJZH-450 L(TOK)	C951	87-010-312-080		C-CAP,S 15P-50 CH
L811	87-005-847-080		COIL,2.2UH(CECS)	C952	87-012-155-080		C-CAP,180P-50CH
L832	87-005-847-080		COIL,2.2UH(CECS)	C953	87-012-140-080		CAP,470P
L861	87-005-847-080		COIL,2.2UH(CECS)<26EZ>	C961	87-010-378-040		CAP,E 10-16
L941	87-A50-020-010		COIL,ANT LW(COI)252KHZ	C962	87-012-157-080		C-CAP,S 330P-50 CH
L942	87-A50-019-010		COIL,OSC LW(COI)856KHZ	C963	87-010-196-080		CHIP CAPACITOR,0.1-25
L951	8A-NF8-668-010		COIL,AM PACK 2(TOK)	CN104	87-A60-057-010		CONN,11P V 9604S-11C
R131	87-A00-258-080		RES,M/F 0.22-1W J	CN701	87-099-720-010		CONN,30P TYK-B(P)
R132	87-A00-258-080		RES,M/F 0.22-1W J	CN731	87-099-015-010		CONN,13P 6216V
R143	87-A00-440-050		RES,220-1/2W J RP	FFC104	88-911-101-110		FF-CABLE,11P 1.25
R144	87-A00-440-050		RES,220-1/2W J RP	FFC731	88-913-301-110		FF-CABLE,13P 1.25
R145	87-A00-440-050		RES,220-1/2W J RP	FL901	8A-NF9-605-010		FL,HNA-10SS12
R146	87-A00-440-050		RES,220-1/2W J RP	L951	87-A50-434-010		COIL,CLK 4.19M(TOKO)
R653	87-A11-144-080		CAP,TC U 0.1-50 K B	LED201	87-A40-619-040		LED,SLR-56PT-T31-W GRN
R654	87-A11-144-080		CAP,TC U 0.1-50 K B	LED202	87-A40-619-040		LED,SLR-56PT-T31-W GRN
R790	87-010-197-080		CAP,CHIP 0.01 DM	LED204	87-A40-619-040		LED,SLR-56PT-T31-W GRN
R991	87-010-322-080		C-CAP,S 100P-50 CH	LED205	87-A40-619-040		LED,SLR-56PT-T31-W GRN
R993	87-010-322-080		C-CAP,S 100P-50 CH	LED209	87-A40-317-080		LED,SLR-342VCT31 RED
R995	87-010-322-080		C-CAP,S 100P-50 CH	LED210	87-A40-619-040		LED,SLR-56PT-T31-W GRN
SFR451	87-A90-432-080		SFR,30K H NVZ6TLTA	S301	87-A90-164-080		SW,TACT SKQNB(N)
SFR452	87-A90-432-080		SFR,30K H NVZ6TLTA	S302	87-A90-164-080		SW,TACT SKQNB(N)
TC942	87-011-253-080		TRIMMER,CER 30P 4.0X4.5 ECRLA	S303	87-A90-164-080		SW,TACT SKQNB(N)
W99	8A-NF9-609-010		F-CABLE,9P 2.5 480MM	S304	87-A90-164-080		SW,TACT SKQNB(N)
WH1	87-A90-510-010		HLDL,WIRE 2.5-9P	S305	87-A90-164-080		SW,TACT SKQNB(N)
X861	87-A70-091-010		VIB,XTAL 4.332MHZ CSA-309<26EZ>	S306	87-A90-164-080		SW,TACT SKQNB(N)
X991	87-A70-061-010		VIB,XTAL 4.500MHZ CSA-309	S307	87-A90-164-080		SW,TACT SKQNB(N)
				S308	87-A90-164-080		SW,TACT SKQNB(N)
				S309	87-A90-164-080		SW,TACT SKQNB(N)
FRONT C.B				S321	87-A90-164-080		SW,TACT SKQNB(N)
C101	87-010-196-080		CHIP CAPACITOR,0.1-25	S322	87-A90-164-080		SW,TACT SKQNB(N)
C102	87-010-196-080		CHIP CAPACITOR,0.1-25	S323	87-A90-164-080		SW,TACT SKQNB(N)
C103	87-010-498-040		CAP,E 10-16 GAS	S324	87-A90-164-080		SW,TACT SKQNB(N)
C104	87-010-196-080		CHIP CAPACITOR,0.1-25	S325	87-A90-164-080		SW,TACT SKQNB(N)
C107	87-010-493-040		CAP,E 0.47-50 GAS	S326	87-A90-164-080		SW,TACT SKQNB(N)
C108	87-012-393-080		C-CAP,S 0.22-16 R K	S327	87-A90-164-080		SW,TACT SKQNB(N)<26EZ>
C153	87-010-198-080		CAP,CHIP 0.022	S328	87-A90-164-080		SW,TACT SKQNB(N)<26EZ>
C154	87-010-246-040		CAP,E 47-35 SME	S329	87-A90-164-080		SW,TACT SKQNB(N)<26EZ>
C155	87-010-404-040		CAP,E 4.7-50 SME	S341	87-A90-164-080		SW,TACT SKQNB(N)
C156	87-010-404-040		CAP,E 4.7-50 SME	S342	87-A90-164-080		SW,TACT SKQNB(N)
C361	87-010-178-080		CHIP CAP,1000P	S343	87-A90-164-080		SW,TACT SKQNB(N)
C362	87-010-178-080		CHIP CAP,1000P	S344	87-A90-164-080		SW,TACT SKQNB(N)
C371	87-010-178-080		CHIP CAP,1000P	S345	87-A90-164-080		SW,TACT SKQNB(N)
C372	87-010-178-080		CHIP CAP,1000P	S346	87-A90-164-080		SW,TACT SKQNB(N)
C601	87-010-382-040		CAP,E 22-25 SME	S347	87-A90-164-080		SW,TACT SKQNB(N)
C801	87-010-195-080		C-CAP,S 0.068-25 F	S348	87-A90-164-080		SW,TACT SKQNB(N)
C802	87-010-195-080		C-CAP,S 0.068-25 F	S349	87-A90-164-080		SW,TACT SKQNB(N)
C803	87-010-402-040		CAP,E 2.2-50 SME	S350	87-A90-164-080		SW,TACT SKQNB(N)
C804	87-010-402-040		CAP,E 2.2-50 SME	S361	87-A91-633-010		SW,RTRY XRE012103PVB25FINA 1-2
C805	87-010-196-080		CHIP CAPACITOR,0.1-25	S371	87-A91-632-010		SW,RTRY XRE012103PVB25FINB 1-2
C806	87-010-196-080		CHIP CAPACITOR,0.1-25				
C901	87-010-322-080		C-CAP,S 100P-50 CH				
C902	87-010-322-080		C-CAP,S 100P-50 CH	PT C.B			
C903	87-010-322-080		C-CAP,S 100P-50 CH	C183	87-010-387-080		CAP,E 470-25 SME
C904	87-010-322-080		C-CAP,S 100P-50 CH	C184	87-010-403-080		CAP,ELECT 3.3-50V
C905	87-010-322-080		C-CAP,S 100P-50 CH	C185	87-A11-148-080		CAP,TC U 0.1-50 Z F
C906	87-010-322-080		C-CAP,S 100P-50 CH	△PT1	8A-NF9-617-010		PT,ANF-9 EZ
C907	87-010-322-080		C-CAP,S 100P-50 CH	△PT181	8A-NF8-662-010		PT,SUB ANF-8(E)
C908	87-010-322-080		C-CAP,S 100P-50 CH	△RY181	87-A91-418-010		RELAY,AC12V G5PA-1-M
C909	87-010-322-080		C-CAP,S 100P-50 CH	△T181	87-A60-317-010		TERMINAL,1P MSC
C910	87-010-322-080		C-CAP,S 100P-50 CH	△T182	87-A60-317-010		TERMINAL,1P MSC
C911	87-010-178-080		CHIP CAP,1000P	WH181	87-A90-510-010		HLDL,WIRE 2.5-9P
C912	87-010-196-080		CHIP CAPACITOR,0.1-25				
C913	87-010-248-040		CAP,E 220-10 SME				
C914	87-010-248-040		CAP,E 220-10 SME	DECK C.B			
C915	87-010-196-080		CHIP CAPACITOR,0.1-25	CN1	87-099-753-010		CONN,11P H 9604
C916	87-010-196-080		CHIP CAPACITOR,0.1-25	SFR1	87-024-581-010		SFR,3.3K H KV5F637A
C917	87-010-196-080		CHIP CAPACITOR,0.1-25	SOL1	82-ZM3-627-010		SOL ASSY,27 S0
C919	87-010-197-080		CAP,CHIP 0.01 DM	SOL2	82-ZM3-627-010		SOL ASSY,27 S0

REF. NO.	PART NO.	KANRI NO.	DESCRIPTION
SW1	87-A90-673-010	SW,MICRO	ESE11SH1C
SW2	87-A91-500-010	SW,MICRO	MPU11470MLB0
SW3	87-A91-500-010	SW,MICRO	MPU11470MLB0
SW4	87-A91-500-010	SW,MICRO	MPU11470MLB0
SW5	87-A90-673-010	SW,MICRO	ESE11SH1C
W1	82-ZM3-601-010	RBN-CORD	4P-75

○チップ抵抗部品コード／CHIP RESISTOR PART CODE

チップ抵抗部品コードの成り立ち

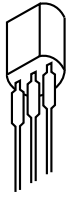
Chip Resistor Part Coding



チップ抵抗
Chip resistor

容量 Wattage	種類 Type	許容誤差 Tolerance	記号 Symbol	寸法/Dimensions (mm)			抵抗コード : A Resistor Code : A	
				外形/Form	L	W		t
1/16W	1005	± 5%	CJ		1.0	0.5	0.35	104
1/16W	1608	± 5%	CJ		1.6	0.8	0.45	108
1/10W	2125	± 5%	CJ		2	1.25	0.45	118
1/8W	3216	± 5%	CJ		3.2	1.6	0.55	128

TRANSISTOR ILLUSTRATION



E C B

CD1585
CSA952
CSC4115
KTA1266
KTC3198



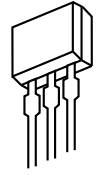
E C B

2SC3331



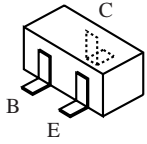
B C E

2SB1370

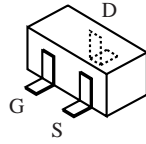


S D G

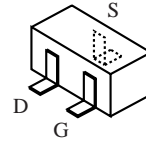
2SJ460
2SK2541



2SA1235
2SC2714
2SC3052
CMBT5401
CMBT5551
CSD1306
DTC114EK
KRA102S
KRC102S
KRC104S
RT1P141C
RT1P144C



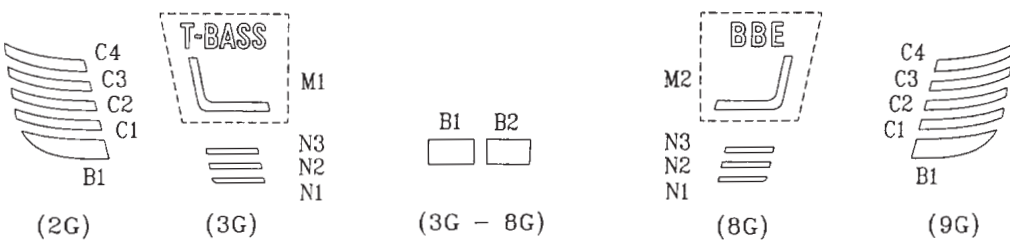
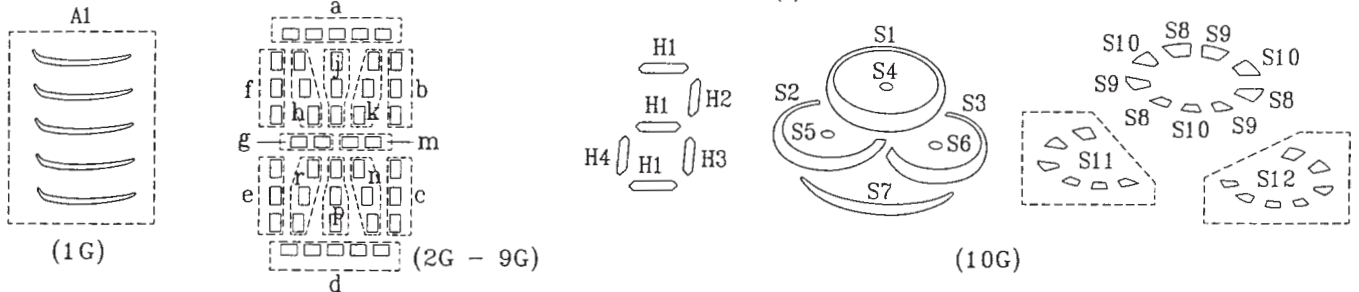
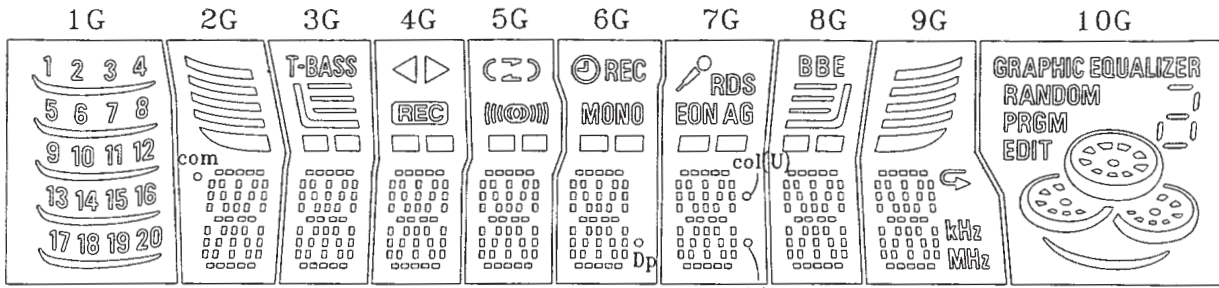
2SK2158



2SK360

FL (HNA-10SS12) GRID ASSIGNMENT / ANODE CONNECTION / PIN CONNECTION

GRID ASSIGNMENT



ANODE CONNECTION

	1G	2G	3G	4G	5G	6G	7G	8G	9G	10G
P1	20	d	d	d	d	d	d	d	d	S1
P2	19	n	n	n	n	n	n	n	n	S2
P3	18	p	p	p	p	p	p	p	p	S3
P4	17	r	r	r	r	r	r	r	r	S4
P5	16	e	e	e	e	e	e	e	e	S5
P6	15	c	c	c	c	c	c	c	c	S6
P7	14	g	g	g	g	g	g	g	g	S7
P8	13	m	m	m	m	m	m	m	m	S8
P9	12	f	f	f	f	f	f	f	f	S9
P10	11	b	b	b	b	b	b	b	b	S10
P11	10	k	k	k	k	k	k	k	k	S11
P12	9	j	j	j	j	j	j	j	j	S12
P13	8	h	h	h	h	h	h	h	h	EDIT
P14	7	a	a	a	a	a	a	a	a	PRGM
P15	6	B1	B1	B1	B1	B1	B1	B1	B1	RANDOM
P16	5	C1	B2	B2	B2	B2	B2	B2	C1	GRAPHIC EQUALIZER
P17	4	C2	M1	REC	MONO	Dp	col(U)	M2	C2	H1
P18	3	C3	N1	<	C	MONO	col(L)	N1	C3	H2
P19	2	C4	N2	>	N	REC	EON	N2	C4	H3
P20	1	com	N3	/)	REC	AG	N3	↺	H4
P21	A1	/	/	/	/	/	RDS	/	kHz	/
P22	/	/	/	/	/	/	/	/	MHz	/

PIN CONNECTION

PIN NO.	45	44	43	42	41	40	39	38	37	36	35	34	33	32	31	30	29	28	27	26	25	24	23	22	21	20	19	18	17	16	15	14	13	12	11	
CONNECTION	F2	F2	NP	NP	P1	P2	P3	P4	P5	P6	P7	P8	P9	P10	P11	P12	P13	P14	P15	P16	P17	P18	P19	P20	P21	P22	NC	NC	NC	NC	NC	NC	1G	2G	3G	4G

© Notes ©

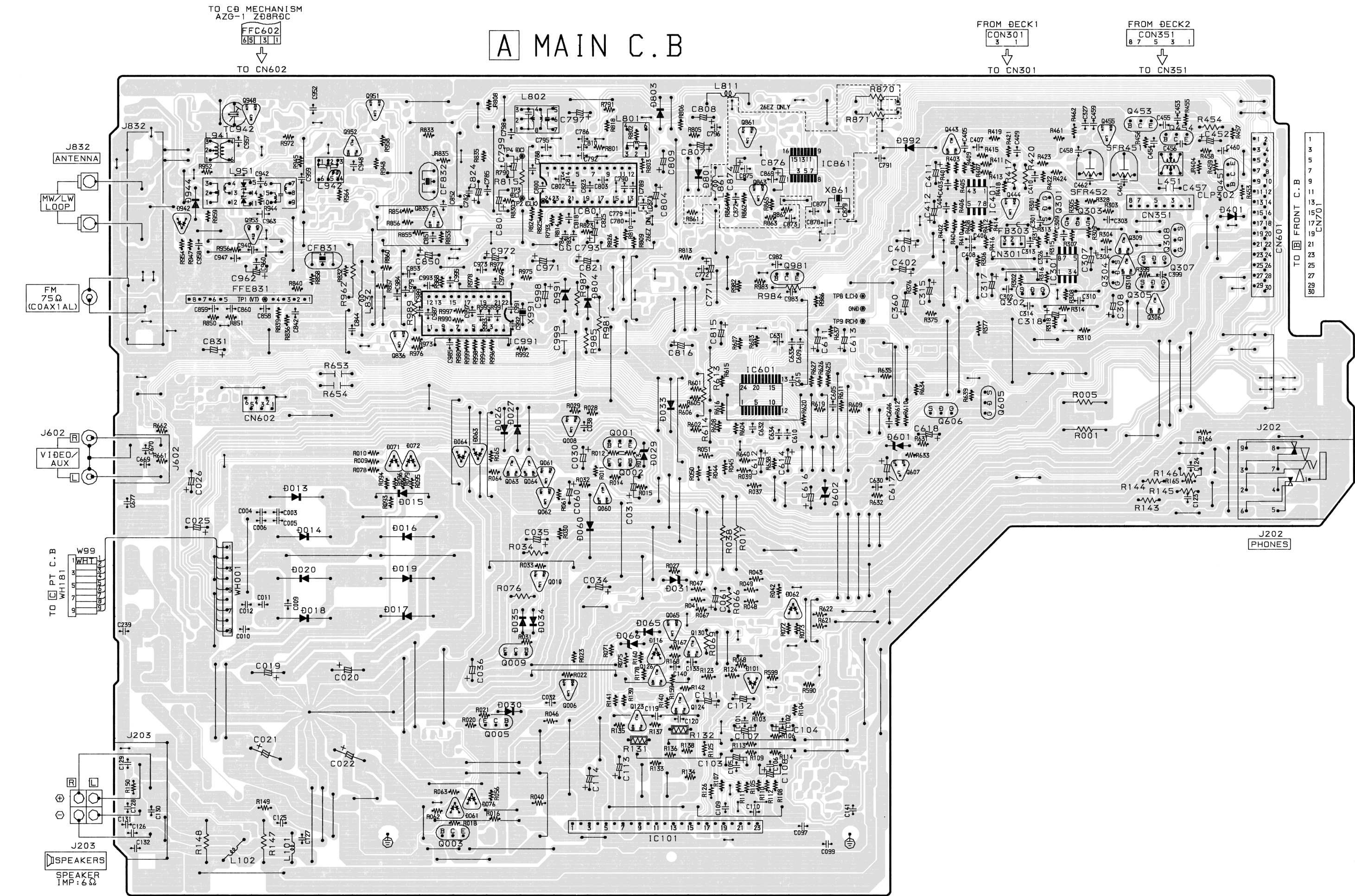
- 1) Fn : Filament pin
- 2) nG : Grid pin
- 3) Pn : Anode pin
- 4) NC : No Connected pin
- 5) NP : No pin

10	9	8	7	6	5	4	3	2	1
5G	6G	7G	8G	9G	10G	NP	NP	F1	F1

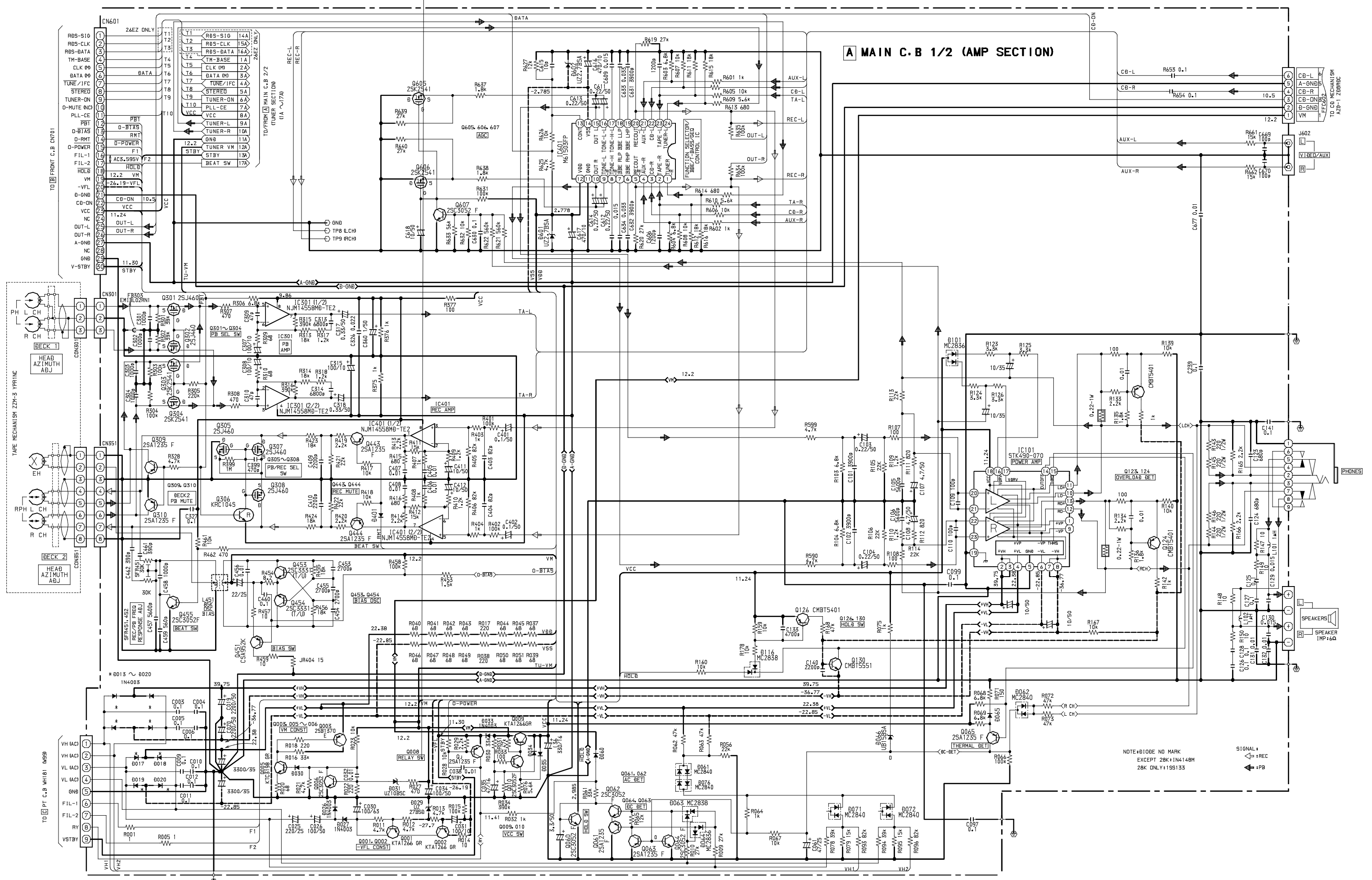
WIRING - 1 (MAIN)

32 31 30 29 28 27 26 25 24 23 22 21 20 19 18 17 16 15 14 13 12 11 10 9 8 7 6 5 4 3 2 1

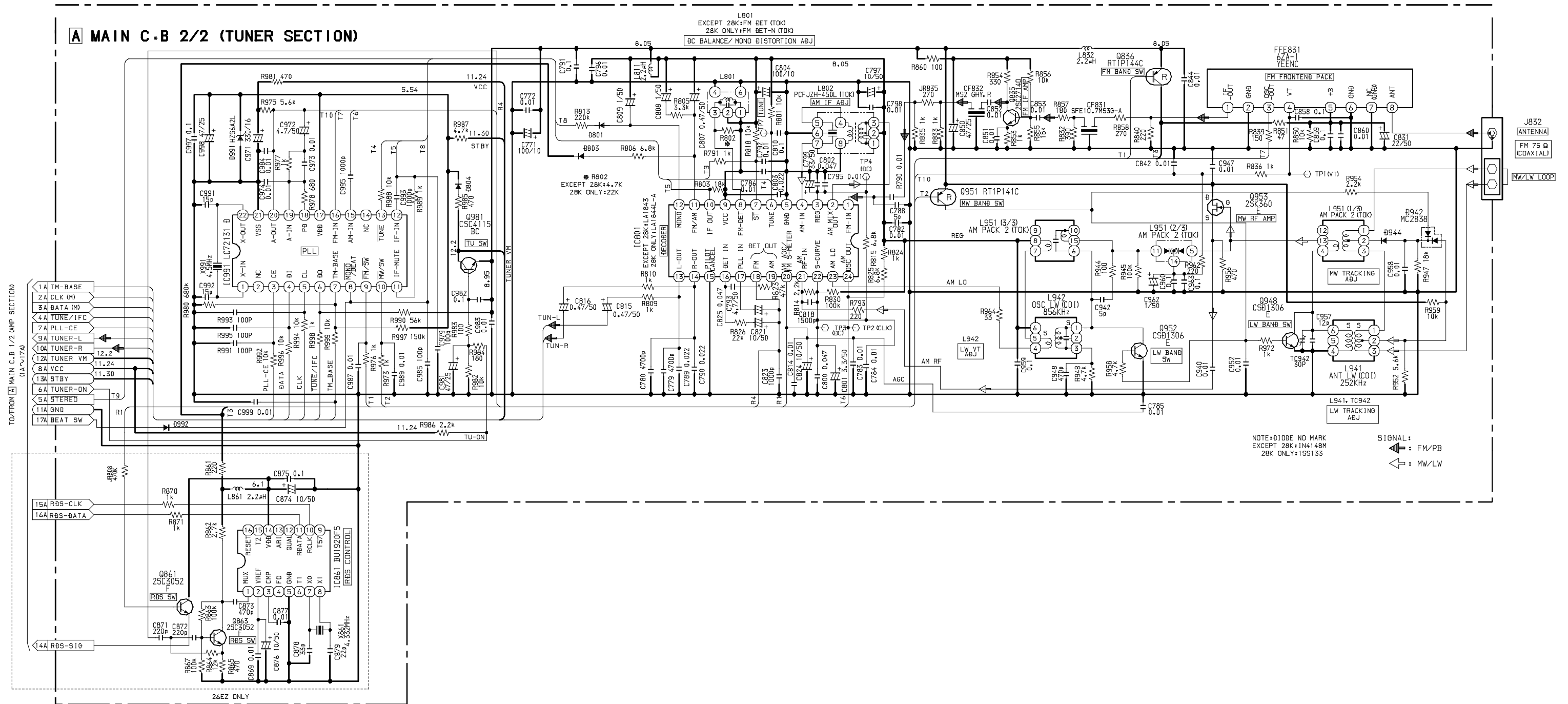
A
B
C
D
E
F
G
H
I
J
K
L
M
N
O
P
Q
R
S
T
U



SCHEMATIC DIAGRAM - 1 (MAIN : 1/2 <AMP SECTION>)

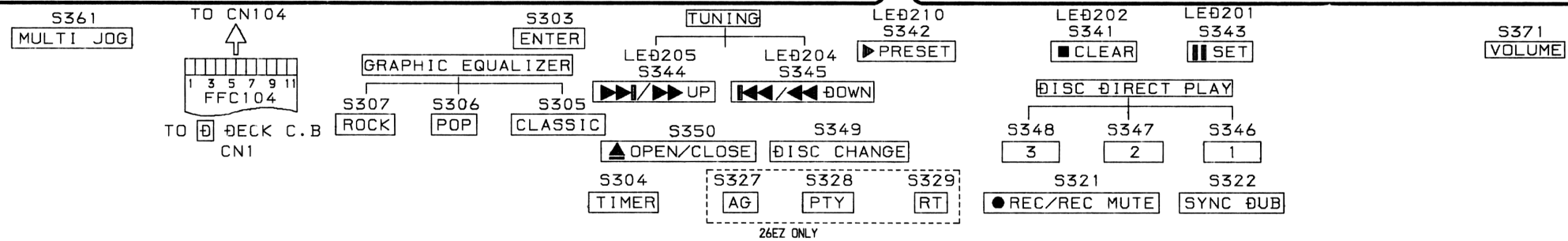
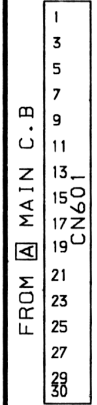
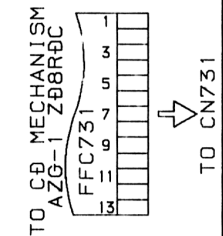
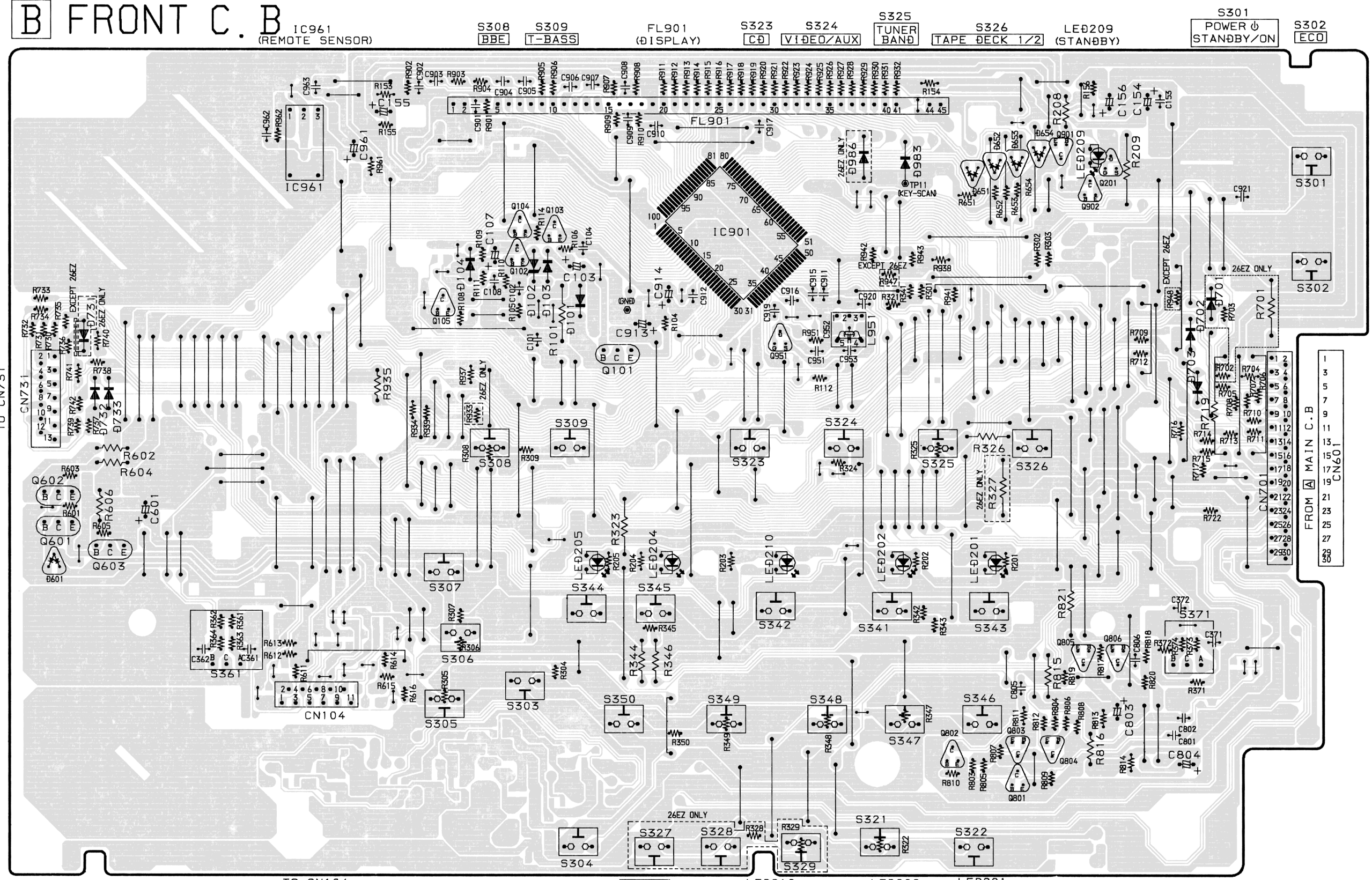


SCHEMATIC DIAGRAM - 2 (MAIN : 2 / 2 <TUNER SECTION>)

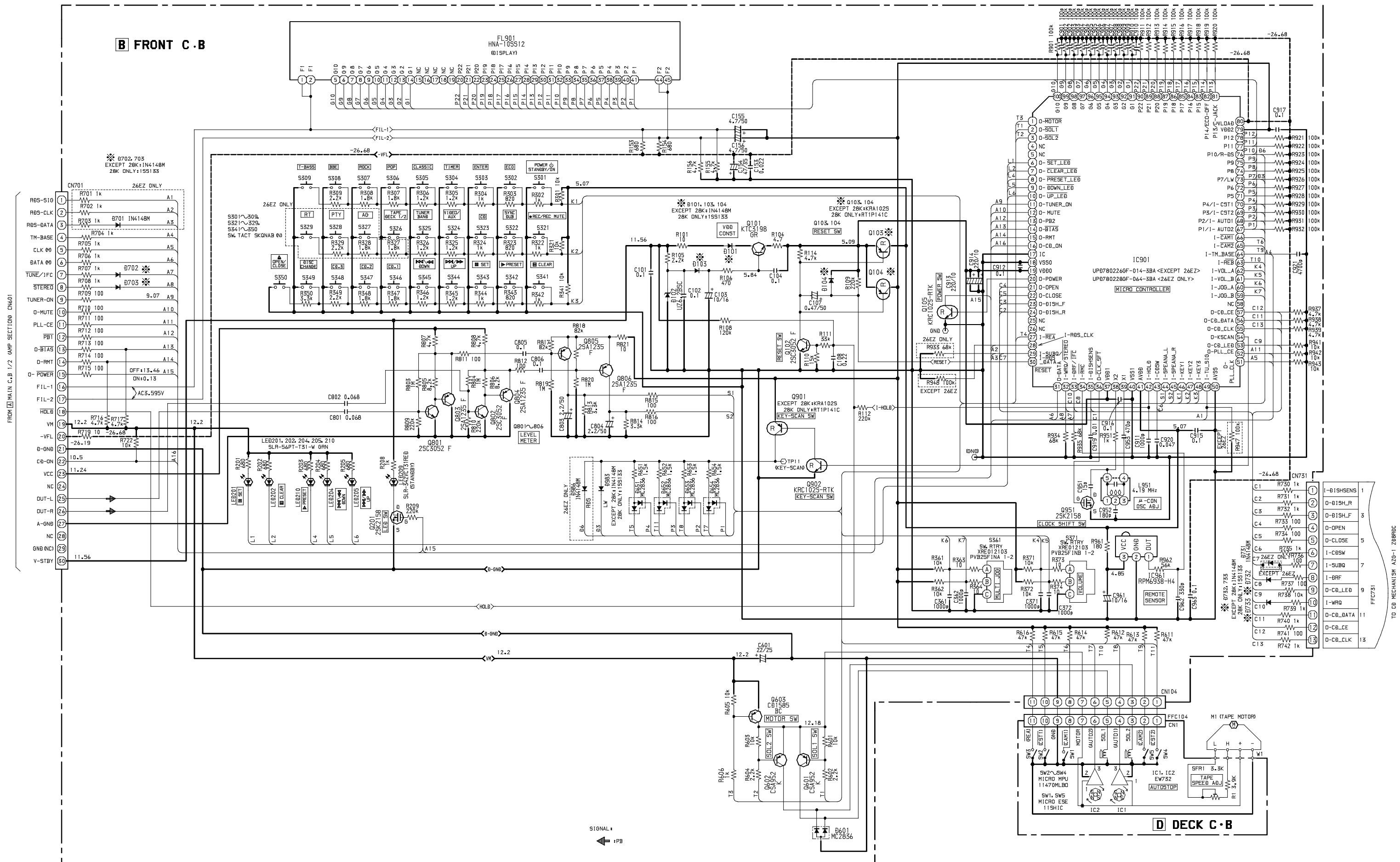


32 | 31 | 30 | 29 | 28 | 27 | 26 | 25 | 24 | 23 | 22 | 21 | 20 | 19 | 18 | 17 | 16 | 15 | 14 | 13 | 12 | 11 | 10 | 9 | 8 | 7 | 6 | 5 | 4 | 3 | 2 | 1

B FRONT C.B



A
B
C
D
E
F
G
H
I
J
K
L
M
N
O
P
Q
R
S
T
U

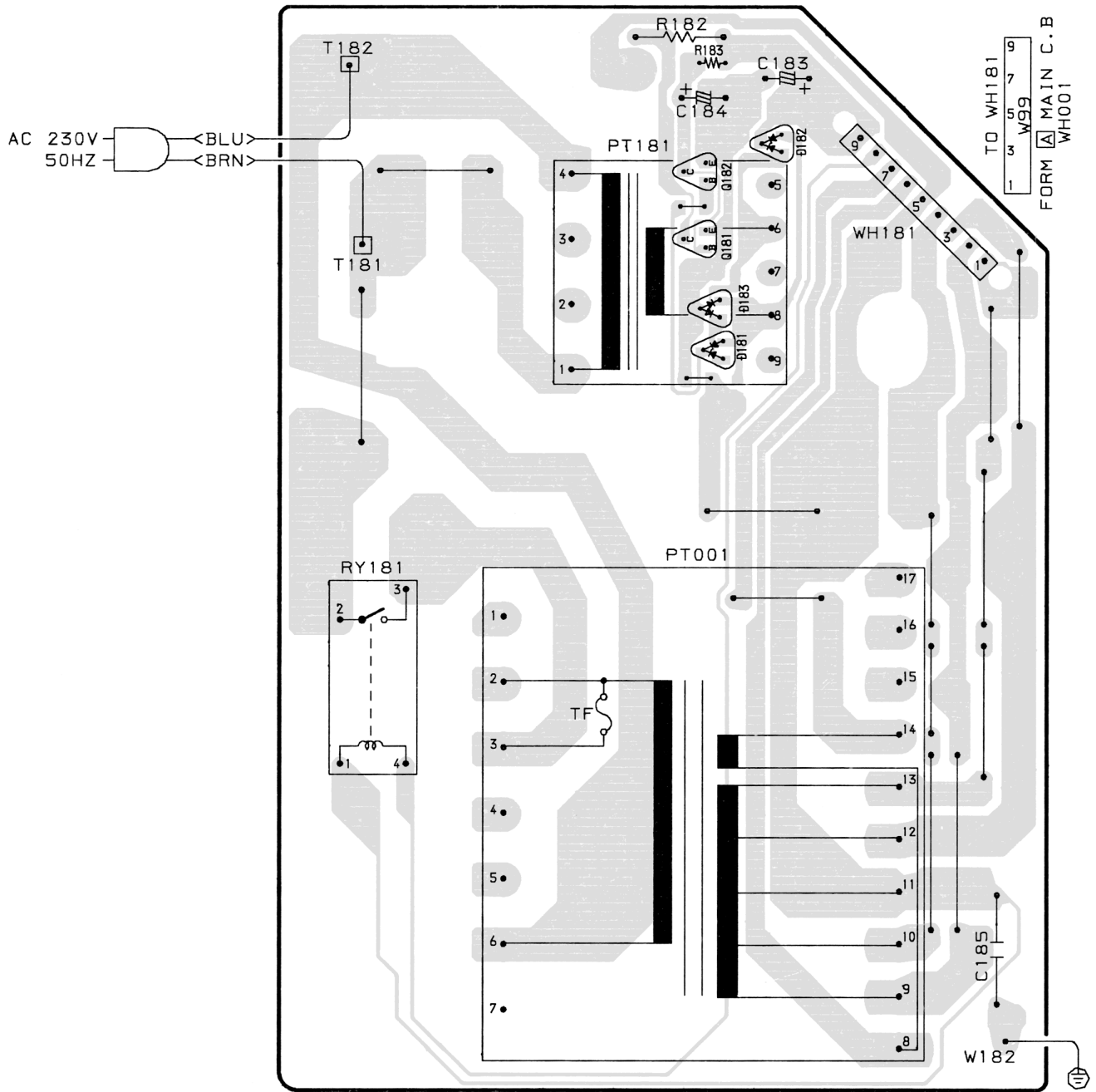


WIRING - 3 (PT)

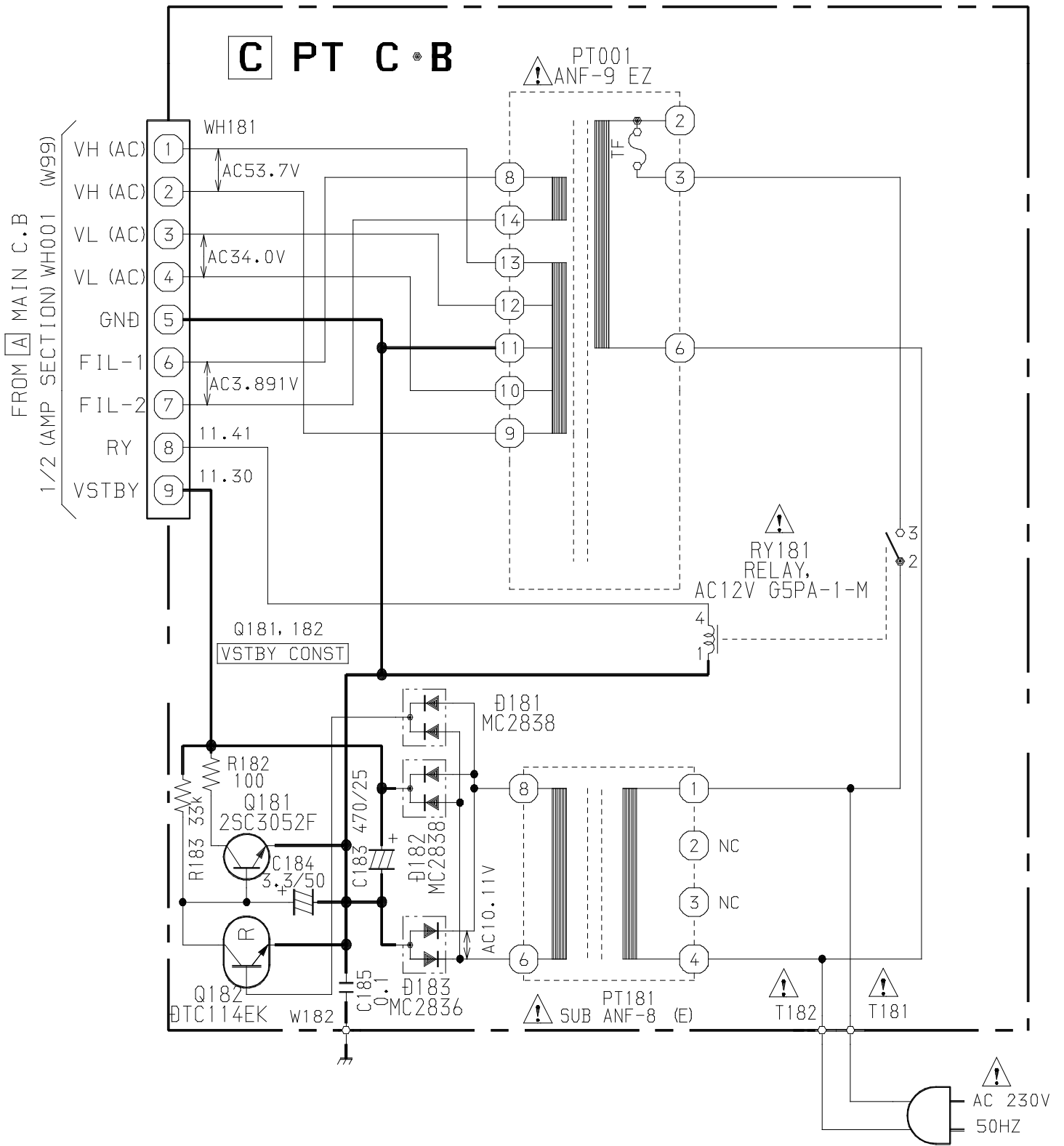
15	14	13	12	11	10	9	8	7	6	5	4	3	2	1
----	----	----	----	----	----	---	---	---	---	---	---	---	---	---

A
B
C
D
E
F
G
H
I
J
K
L
M
N
O
P
Q
R
S
T
U

C PT C.B

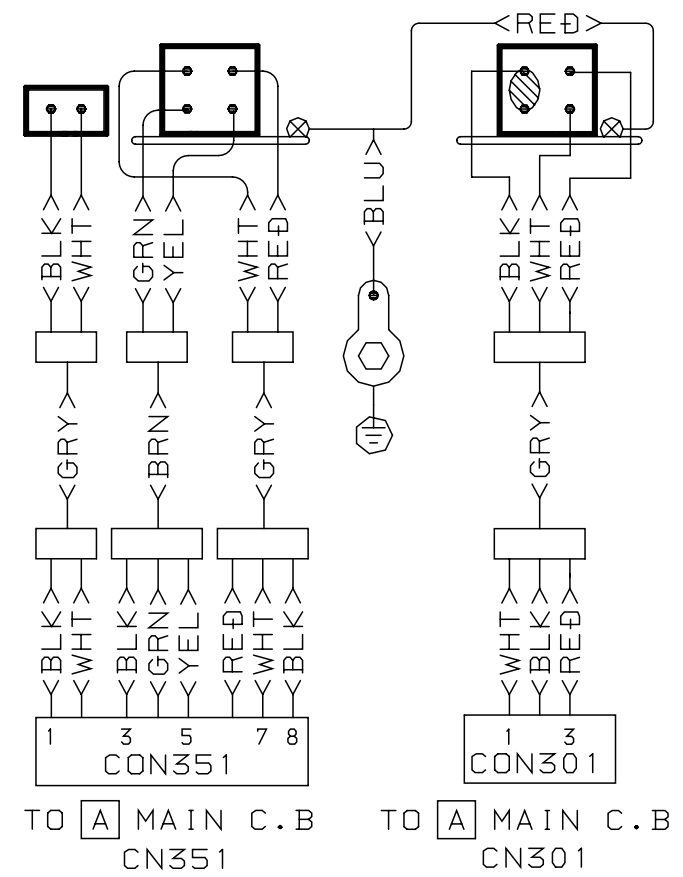
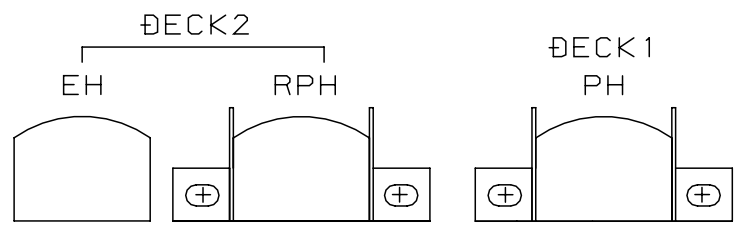
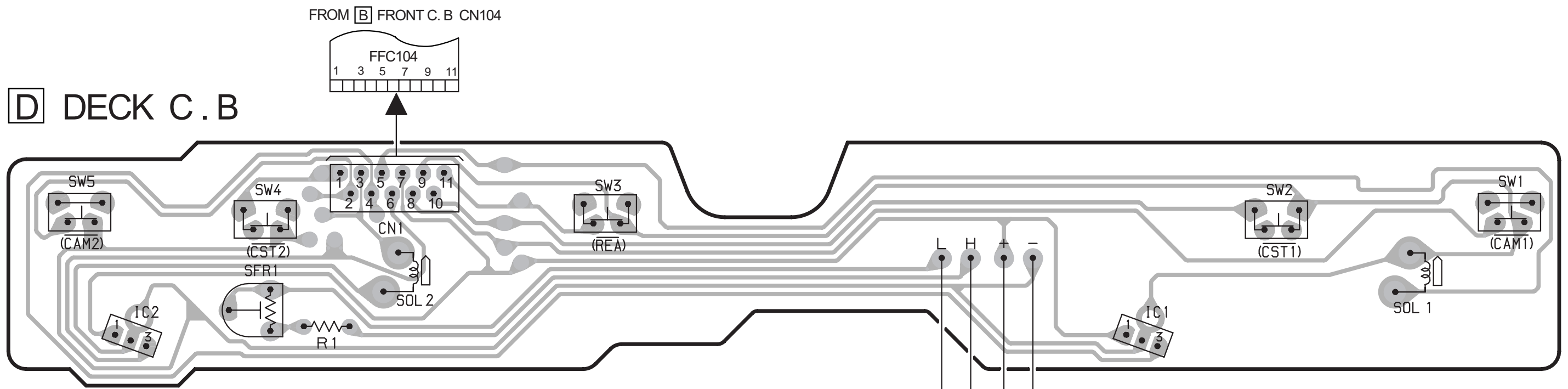


SCHEMATIC DIAGRAM - 4 (PT)



32	31	30	29	28	27	26	25	24	23	22	21	20	19	18	17	16	15	14	13	12	11	10	9	8	7	6	5	4	3	2	1
----	----	----	----	----	----	----	----	----	----	----	----	----	----	----	----	----	----	----	----	----	----	----	---	---	---	---	---	---	---	---	---

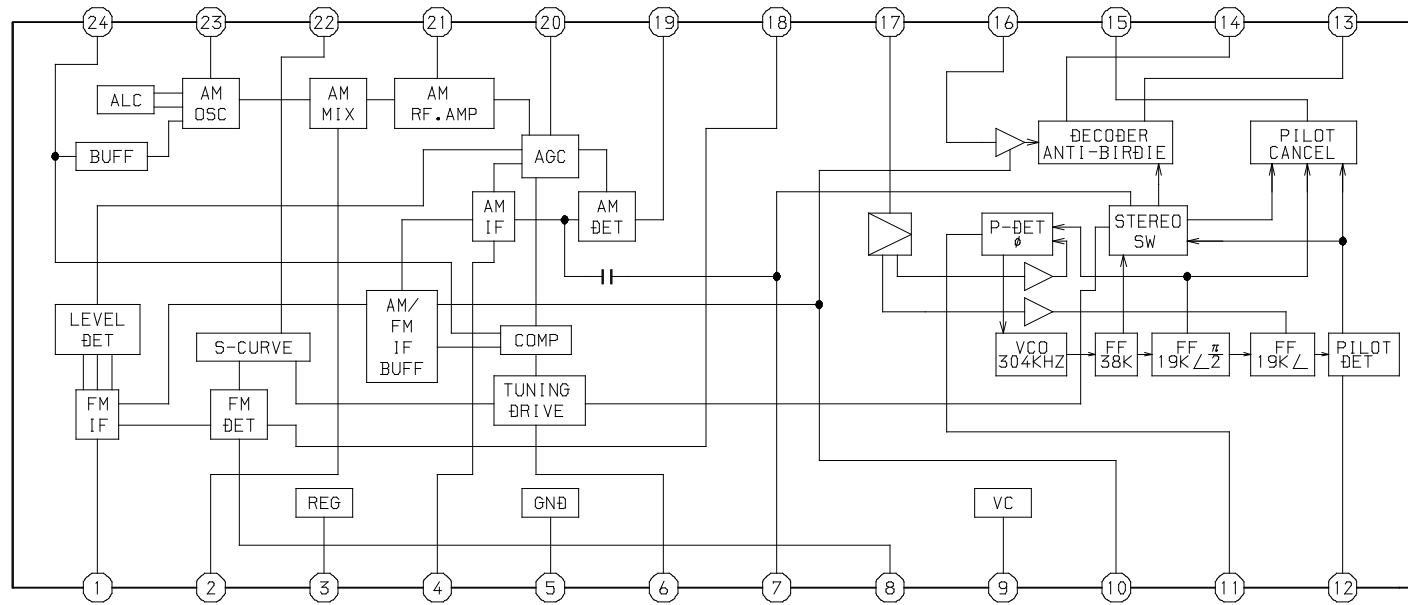
D DECK C.B



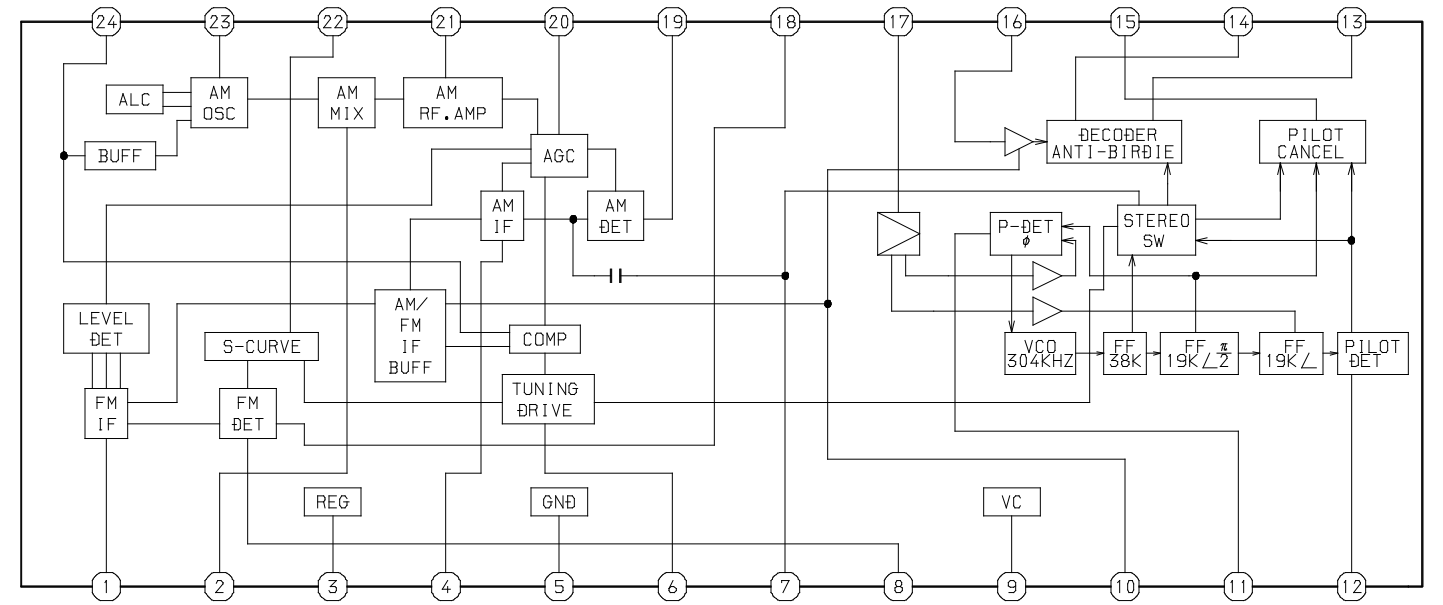
A
B
C
D
E
F
G
H
I
J
K
L
M
N
O
P
Q
R
S
T
U

IC BLOCK DIAGRAM

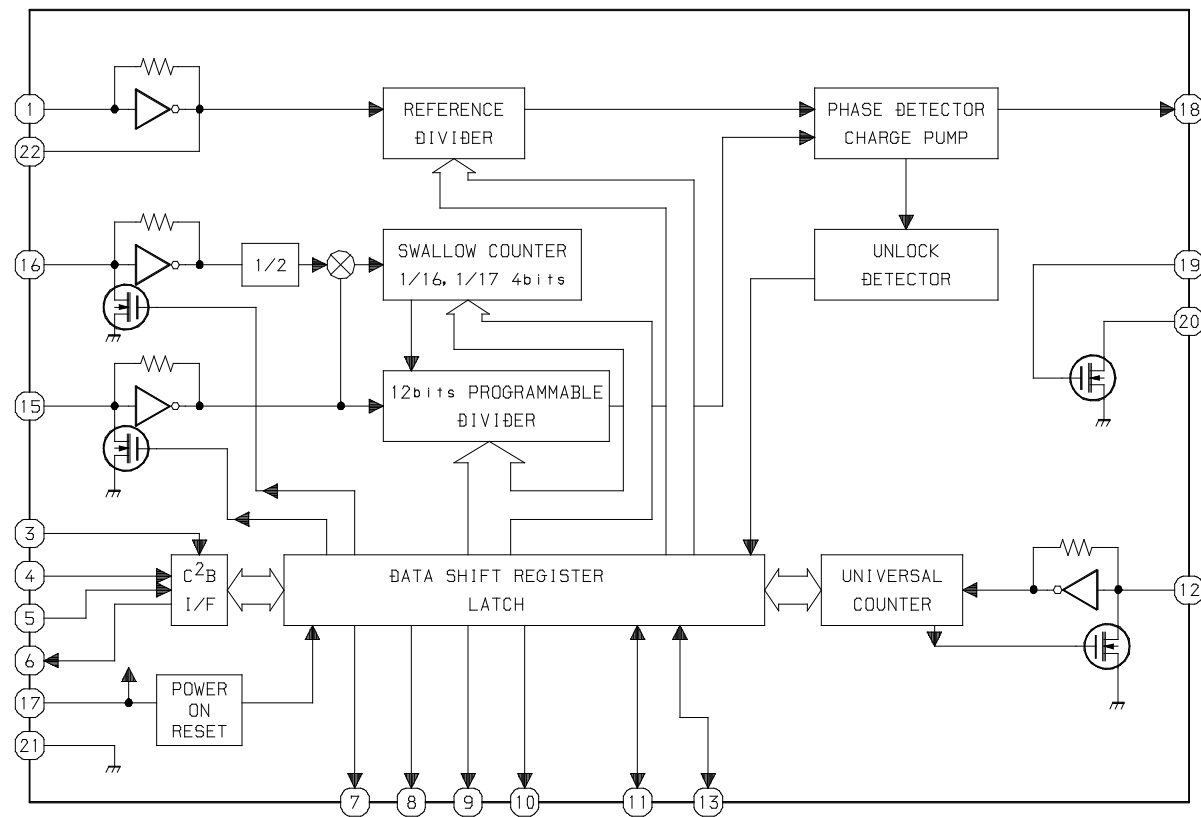
IC, LA1844L-A



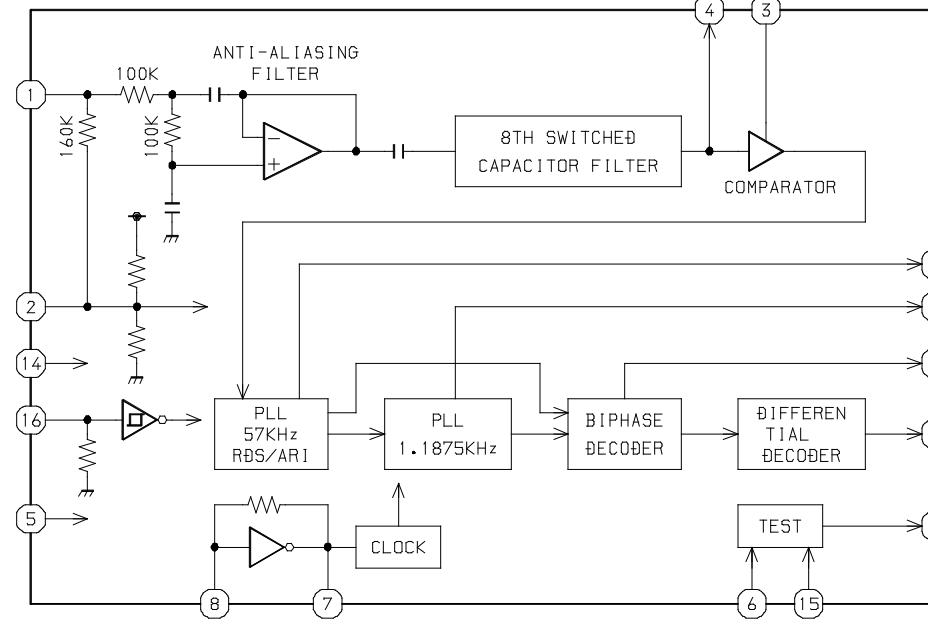
IC, LA1843



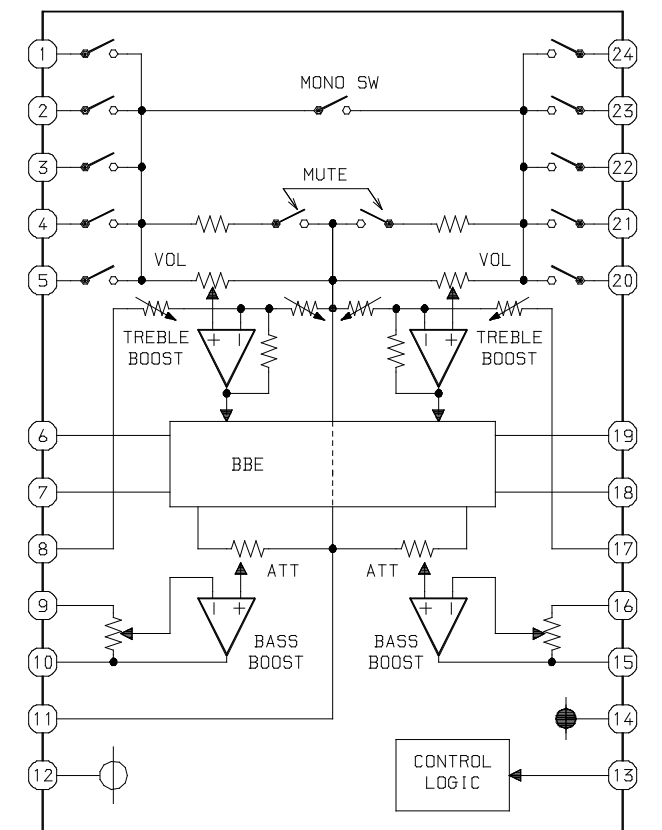
IC, LC72131D



IC, BU1920FS



IC, M61503FP



IC DESCRIPTION

IC, μ PD780226GF-014-3BA <EXCEPT 26EZ> / μ PD780228GF-064-3BA <26EZ ONLY>

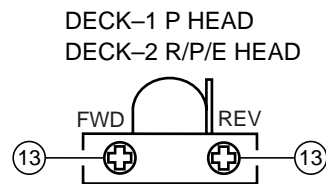
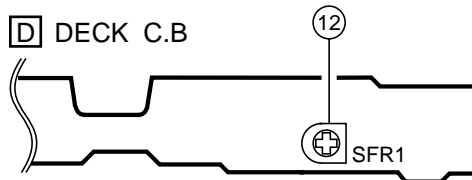
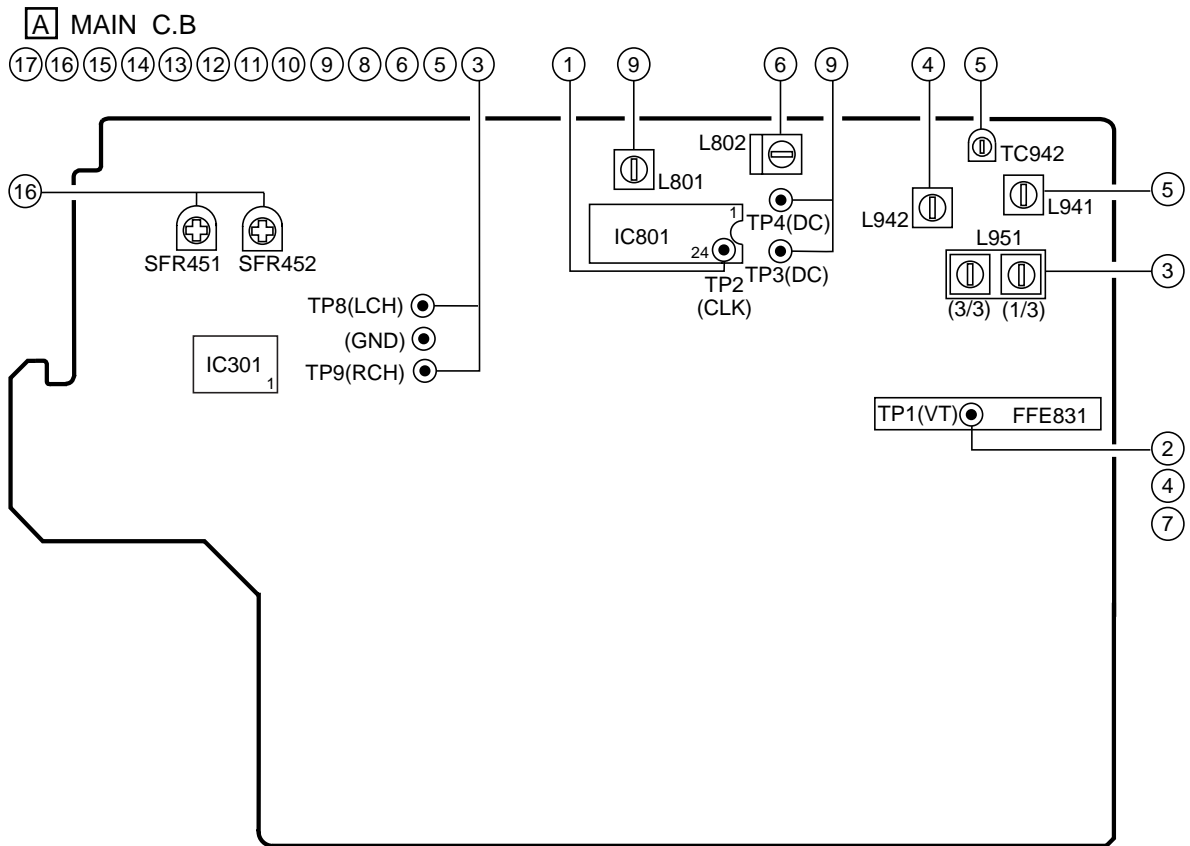
Pin No.	Pin Name	I/O	Description
1	O-MOTOR	O	DECK MOTOR ON/OFF output.
2	O-SOL1	O	DECK1 solenoid output.
3	O-SOL2	O	DECK2 solenoid output.
4	NC	–	Not connected.
5	NC	–	Not connected.
6	O-SET_LED	O	SET LED ON/OFF output.
7	O-CLEAR_LED	O	CLEAR LED ON/OFF output.
8	O-PRESET_LED	O	PRESET LED ON/OFF output.
9	O-DOWN_LED	O	DOWN LED ON/OFF output.
10	O-UP_LED	O	UP LED ON/OFF output.
11	O-TUNER_ON	O	TUNER ON output.
12	O-MUTE	O	MUTE output.
13	O-PB2	O	DECK2/DECK1 play output.
14	O-BIAS	O	BIAS ON output.
15	O-RMT	O	REC mute output.
16	O-CD_ON	O	CD ON output.
17	IC	–	Internal connection (connected to GND).
18	VSS0	–	GND.
19	VDD0	–	Power supply.
20	O-POWER	O	System power supply ON/OFF output.
21	O-OPEN	O	CD tray open data output.
22	O-CLOSE	O	CD tray close data output.
23	O-DISH_F	O	CD turntable forward rotation output.
24	O-DISH_R	O	CD turntable reverse rotation output.
25	NC	–	Not connected.
26	NC	–	Not connected.
27	I-REA	I	Deck 2 side-A recordable switch data input. "L" = REC.
28	I-RDS_CLK	I	Tuner RDS clock input<26EZ only>.
29	I-SUBQ/I-RDS_DATA	I	CD SUBQ data input / Tuner RDS data input<26EZ only>.
30	RESET	–	System reset.
31	O-DATA	O	Data output for MAIN.
32	I-WRQ/STEREO	I	CD WRQ input / Tuner stereo input.
33	I-DRF/IFC	I	CD DRF input / Tune IF count serial data input.
34	I-RMC	I	System remote control input.
35	I-DISHSENS	I	CD turntable photo sensor input.
36	O-CLK_SFT	O	Micon clock shift output.
37	VDD1	–	Power supply.
38	X2	–	4.19MHz oscillator circuit.
39	X1	–	4.19MHz oscillator circuit.
40	VSS1	–	GND.
41	AVDD	–	Power supply.

Pin No.	Pin Name	I/O	Description
42	I-HOLD	I	Power failure detected input.
43	I-CDSW	I	CD mecha switch input.
44	I-SPEANA_L	I	A/D L-input for spectrum analyser level display.
45	I-SPEANA_R	I	A/D R-input for spectrum analyser level display.
46	I-KEY1	I	Key1 input.
47	I-KEY2	I	Key2 input.
48	I-KEY3	I	Key3 input.
49	I-TU_SIG	I	Tuner signal input.
50	AVSS	–	GND.
51	O-PLL_CLK	O	PLL clock enable output.
52	O-PLL_CE	O	Chip enable output for tuner PLL.
53	O-CD_LED	O	CD flash window LED ON/OFF output.
54	O-KSCAN	O	Key scan output.
55	O-CD_CLK	O	CD clock output.
56	O-CD_DATA	O	CD data output.
57	O-CD_CE	O	CD enable output.
58	NC	–	Not connected.
59	I-JOG_B	I	Dial jog rotary encoder input B.
60	I-JOG_A	I	Dial jog rotary encoder input A.
61	I-VOL_B	I	Volume rotary encoder input B.
62	I-VOL_A	I	Volume rotary encoder input A.
63	I-REB	–	Deck 2 side-B recordable switch data input. "L" = REC. (Not used)
64	I-TM_BASE	I	Base input for clock.
65	I-CAM2	I	DECK2 CAM switch data input.
66	I-CAM1	I	DECK1 CAM switch data input.
67	P1/I-AUTO2	O/I	FL segment P1 output / DECK2 AUTO STOP switch data input.
68	P2/I-AUTO1	O/I	FL segment P2 output / DECK1 AUTO STOP switch data input.
69	P3/I-CST2	O/I	FL segment P3 output / DECK2 cassette detect switch data input.
70	P4/I-CST1	O/I	FL segment P4 output / DECK1 cassette detect switch data input.
71 ~ 72	P5, P6	O	FL segment P5 ~ P6 output.
73	P7/LW	O/I	FL segment P7 output / LW mode data input.
74 ~ 75	P8 ~ P9	O	FL segment P8 ~ P9 output.
76	P10/RDS	O/I	FL segment P10 output / RDS data input<26EZ only>.
77 ~ 78	P11 ~ P12	O	FL segment P11 ~ P12 output.
79	VDD2	–	Power supply.
80	VLOAD	–	Power supply for FL display.
81	P13/C-JACK	O/I	FL segment P13 output / C-JACK data input (not used).
82	P14/ECO-OFF	O/I	FL segment P14 output / ECO-OFF data input (not used).
83 ~ 90	P15 ~ P22	O	FL segment P15 ~ P22 output.
91 ~100	G1 ~ G10	O	FL grid G1 ~ G10 output.

IC, LC72131D

Pin No.	Pin Name	I/O	Description																								
1	X-IN	I	A crystal oscillator (4.5MHz) is connected between these pins.																								
22	X-OUT	O																									
2	NC	–	Not connected.																								
3	CE	I	To enable the IC. Active "H".																								
4	DI	I	Digital data input from CPU (μ PD780226GF / μ PD780228GF) when relevant key is operated. Active "H".																								
5	CL	I	To clock in the data DI.																								
6	DO	O	Digital data output to CPU (μ PD780226GF / μ PD780228GF).																								
7	TM-BASE	O	Outputs a reference clock signal (8Hz) for the clock.																								
8	$\overline{\text{MONO}} / \text{BEAT}$	O	Outputs "H" when MONO / BEAT is switched.																								
9	$\overline{\text{FM}} / \overline{\text{SW}}$	O	Output "L" or "H" as follows: <table border="1" style="margin-left: auto; margin-right: auto;"> <thead> <tr> <th colspan="2">2 BAND</th> <th colspan="3">3 BAND</th> <th colspan="3">3 BAND</th> </tr> <tr> <th>AM</th> <th>FM</th> <th>LW</th> <th>MW</th> <th>FM</th> <th>MW</th> <th>SW</th> <th>FM</th> </tr> </thead> <tbody> <tr> <td>H</td> <td>L</td> <td>H</td> <td>H</td> <td>L</td> <td>H</td> <td>L</td> <td>L</td> </tr> </tbody> </table>	2 BAND		3 BAND			3 BAND			AM	FM	LW	MW	FM	MW	SW	FM	H	L	H	H	L	H	L	L
2 BAND		3 BAND			3 BAND																						
AM	FM	LW	MW	FM	MW	SW	FM																				
H	L	H	H	L	H	L	L																				
10	$\overline{\text{MW}} / \text{SW}$	O	Outputs "L" or "H" as follows: <table border="1" style="margin-left: auto; margin-right: auto;"> <thead> <tr> <th colspan="2">2 BAND</th> <th colspan="3">3 BAND</th> <th colspan="3">3 BAND</th> </tr> <tr> <th>AM</th> <th>FM</th> <th>LW</th> <th>MW</th> <th>FM</th> <th>MW</th> <th>SW</th> <th>FM</th> </tr> </thead> <tbody> <tr> <td>L</td> <td>L</td> <td>H</td> <td>L</td> <td>L</td> <td>L</td> <td>H</td> <td>L</td> </tr> </tbody> </table>	2 BAND		3 BAND			3 BAND			AM	FM	LW	MW	FM	MW	SW	FM	L	L	H	L	L	L	H	L
2 BAND		3 BAND			3 BAND																						
AM	FM	LW	MW	FM	MW	SW	FM																				
L	L	H	L	L	L	H	L																				
11	IF-MUTE	O	To control internal counter.																								
12	IF-IN	I	General purpose counter input.																								
13	$\overline{\text{TUNE}}$	I	Receives "L" when station is tuned.																								
14	NC	–	Not connected.																								
15	AM-IN	I	Receives the AM local oscillator frequency signal.																								
16	FM-IN	I	Receives the FM local oscillator frequency signal.																								
17	VDD	–	Supply power to IC (+5V).																								
18	PD	O	PLL charge pump output.																								
19	A-IN	I	The MOS transistor used for PLL active low pass filter.																								
20	A-OUT	O																									
21	VSS	–	Ground.																								

ADJUSTMENT – 1 <TUNER / DECK>



< TUNER SECTION >

1. Clock frequency Check
 - Settings : • Test point : TP2 (CLK)
 - Method : Set to MW 1602kHz and check that the test point is 2052kHz \pm 45Hz.
2. MW VT Check
 - Settings : • Test point : TP1 (VT)
 - Method : Set to MW 1602kHz and check that the test point is less than 8.0V. Then set to MW 531kHz and check that the test point is more than 0.6V.
3. MW Tracking Adjustment
 - Settings : • Test point : TP8 (Lch), TP9 (Rch)
 - Adjustment location : L951(1/3)
 - Method : Set to MW 999kHz and adjust L951(1/3) so that the test point becomes maximum.
4. LW VT Adjustment
 - Settings : • Test point : TP1 (VT)
 - Adjustment location : L942
 - Method : Set to LW 144kHz and adjust L942 so that the test point becomes 1.3V \pm 0.05V. Then set to LW 290kHz and check that the test point is less than 8.0V.
5. LW Tracking Adjustment
 - Settings : • Test point : TP8 (Lch), TP9 (Rch)
 - Adjustment location : L941 144kHz
TC942 290kHz
 - Method : Set up TC942 to center before adjustment. The level at 144kHz is adjusted to MAX. by L941. Then the level at 290kHz is adjusted to MAX. by TC942.
6. AM IF Adjustment
 - Settings : • Test point : TP8 (Lch), TP9 (Rch)
 - Adjustment location : L802 450kHz

7. FM VT Check

Settings : • Test point : TP1 (VT)
Method : Set to FM 87.5MHz check that the test point is more than 0.5V. Then set to FM 108.0MHz and check that the test point is less than 8.0V.

8. FM Tracking Check

Settings : • Test point : TP8 (Lch), TP9 (Rch)
Method : Set to FM 98.0MHz and check that the test point is less than 13dB μ V.

9. DC Balance / Mono Distortion Adjustment

Settings : • Test point : TP3, TP4 (DC)
TP8, TP9 (Distortion)
• Adjustment location : L801
• Input level : 60dB μ V
Method : Set to FM 98.0MHz and adjust L801 so that the voltage between TP3 and TP4 becomes 0V \pm 300mV with minimum distortion.

10. Output Level Check

<MW>
Settings : • Test point : TP8 (Lch), TP9 (Rch)
Method : Set to MW 999kHz and check that the test point is 40mV \pm 3dB.

<FM>
Settings : • Test point : TP8 (Lch), TP9 (Rch)
Method : Set to FM 98.0MHz and check that the test point is 140mV \pm 3dB.

11. FM Separation Check

Settings : • Test point : TP8 (Lch), TP9 (Rch)
• Input level : 60dB μ V
Method : Set to FM 98.0MHz and check that the test point is more than 12dB.

< DECK SECTION >

12. Tape Speed Adjustment (DECK 2)

Settings : • Test tape : TTA-100
• Test point : TP8 (Lch), TP9 (Rch)
• Adjustment location : SFR1
Method : Play back the test tape and adjust SFR1 so that the test point becomes 3000Hz \pm 5Hz (FWD) and FWD SPEED \pm 45Hz (REV) with respect to forward speed.

13. Head Azimuth Adjustment (DECK 1, DECK 2)

Settings : • Test tape : TTA-330
• Test point : TP8 (Lch), TP9 (Rch)
• Adjustment location : Head azimuth adjustment screw
Method : Play back (FWD) the 8kHz signal of the test tape and adjust screw so that the output becomes maximum. Next, perform on REV PLAY mode.

14. PB Frequency Response Check (DECK 1, DECK 2)

Settings : • Test tape : TTA-330
• Test point : TP8 (Lch), TP9 (Rch)
Method : Play back the 315Hz and 8kHz signals of the test tape and check that the output ratio of the 8kHz signal with respect to that of the 315Hz signal is 0dB \pm 5dB.

15. PB Sensitivity Check (DECK 1, DECK 2)

Settings : • Test tape : TTA-200
• Test point : TP8 (Lch), TP9 (Rch)
Method : Play back the test tape and check that the output level of the test point is 110mV \pm 3dB.

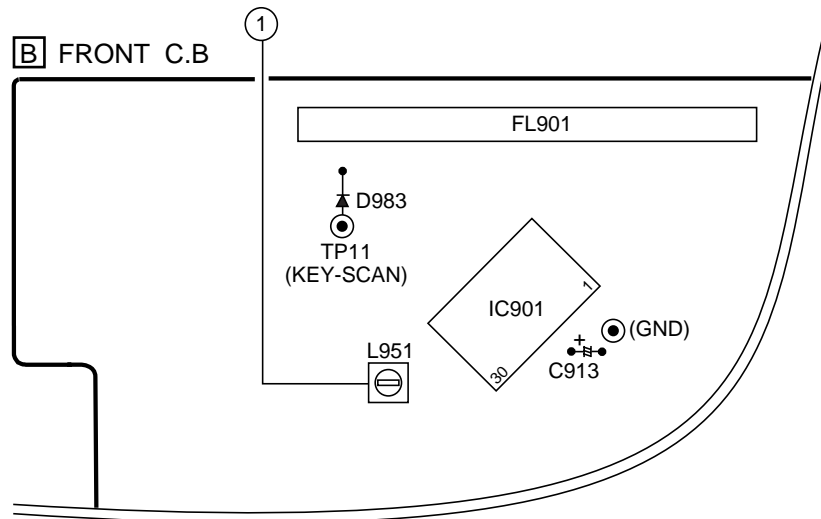
16. REC/PB Frequency Response Adjustment (DECK 2)

Settings : • Test tape : TTA-602
• Test point : TP8 (Lch), TP9 (Rch)
• Input signal : 1kHz / 8kHz
(-20VU / -26dBV)
• Adjustment location : SFR451 (Lch)
SFR452 (Rch)
Method : Apply a 1kHz signal and REC mode. Then adjust OSC attenuator so that the output level at the TP8, TP9 becomes 5.5mV \sim 9.5mV. Record and play back the 1kHz and 8kHz signals and adjust SFRs so that the output of the 8kHz signals becomes 0dB \pm 0.5dB with respect to that of the 1kHz signal.

17. REC/PB Sensitivity Check (DECK 2)

Settings : • Test tape : TTA-602
• Test point : TP8 (Lch), TP9 (Rch)
• Input signal : 1kHz (0VU / -6dBV)
Method : Apply a 1kHz signal and REC mode. Then adjust OSC attenuator so that the output level at TP8, TP9 becomes 55mV \sim 95mV. Record and play back the 1kHz signals and check that the output is -1dB \pm 3.5dB.

ADJUSTMENT – 2 <FRONT>



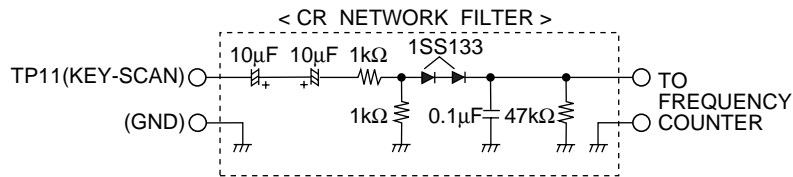
< FRONT SECTION >

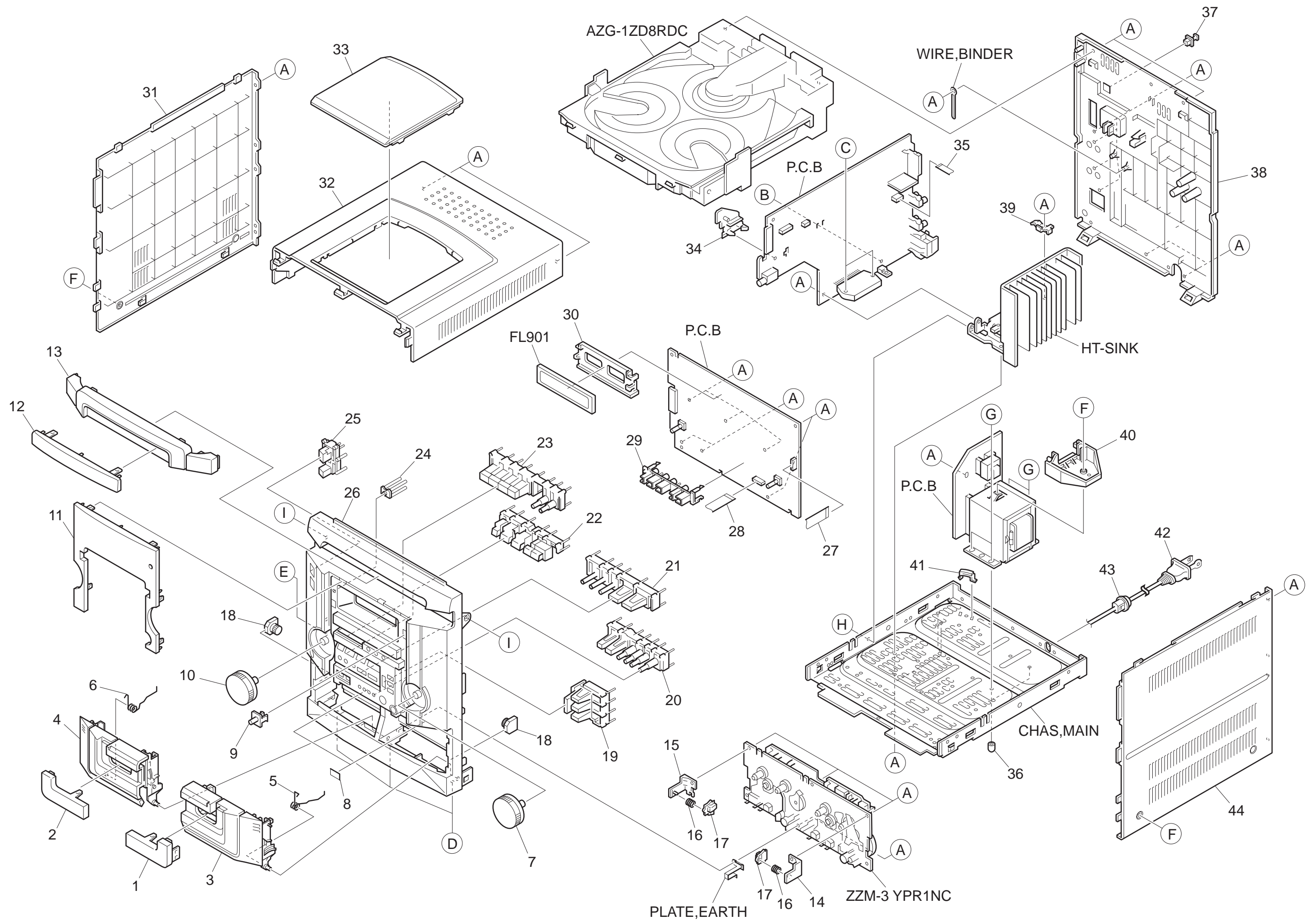
1. μ -CON OSC Adjustment

Settings : • Test point : TP11 (KEY-SCAN), (GND)
 • Adjustment location : L951

Method : Connect a frequency counter across TP11 and GND via a CR network filter as shown below.

Then adjust L951 so that the test point becomes $184.94\text{Hz} \pm 0.18\text{Hz}$.



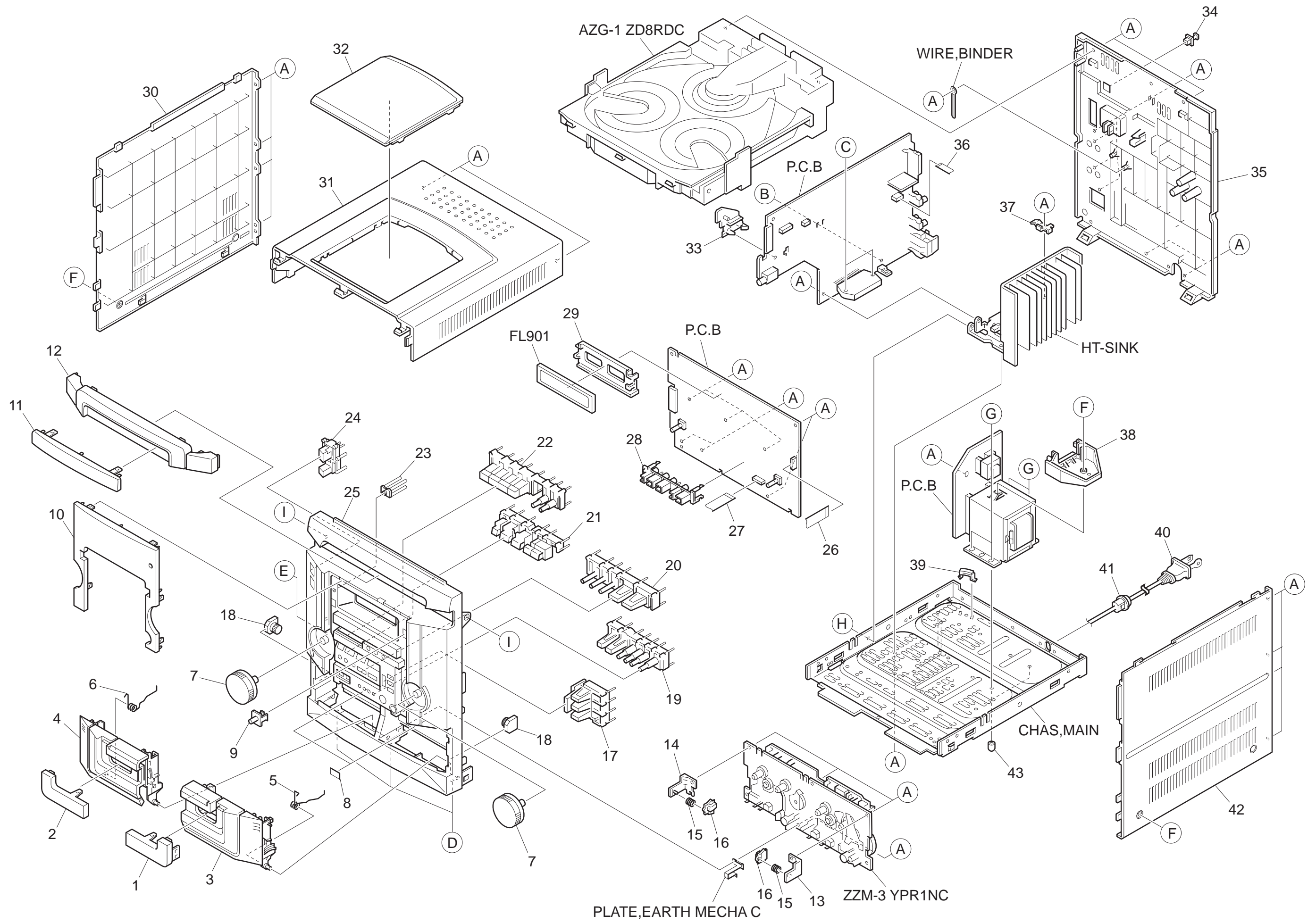


MECHANICAL PARTS LIST 1 / 1 (NSX-BL24 / 26 / 28) <EZ>, (NSX-BL24) <K>

REF. NO.	PART NO.	KANRI NO.	DESCRIPTION	REF. NO.	PART NO.	KANRI NO.	DESCRIPTION
1	8A-NF0-007-010		WINDOW,CASS 2	27	88-913-301-110		FF-CABLE,13P-1.25
2	8A-NF0-006-010		WINDOW,CASS 1	28	88-911-101-110		FF-CABLE,11P 1.25
3	8A-NF0-004-010		BOX,CASS 2	29	8A-NF0-201-010		GUIDE,OPE 1 WAY
4	8A-NF0-003-010		BOX,CASS 1	30	82-NF7-210-110		GUIDE,FL (*)
5	8A-NF8-208-010		SPR-T,EJECT 2	31	8A-NF8-007-010		PANEL,LEFT V-2
6	8A-NF8-207-010		SPR-T,EJECT 1	32	8A-NF8-005-010		PANEL, TOP
7	8A-NF0-016-010		KNOB,RTRY JOG	33	8A-NF8-006-010		WINDOW, TOP
8	81-532-080-010		LABEL, CASS. COMPT	34	8A-NF8-206-010		HLDR,PWB M
9	8A-NF0-056-010		LENS,REMOCON	35	88-906-251-110		FF-CABLE,6P 1.25
10	8A-NF0-016-010		KNOB,RTRY VOL	36	8Z-NB8-240-010		COVER, PL
11	8A-NF0-050-010		WINDOW,DISP EZR<NBL26EZSC>	37	84-ZG1-245-210		CAP,OPTICAL
11	8A-NF0-005-010		WINDOW,DISP U<EXCEPT NBL26EZSC>	38	8A-NF0-065-010		CABI,REAR EZSC 24<NBL24EZSC>
12	8A-NF0-038-010		WINDOW,CD	38	8A-NF0-066-010		CABI,REAR EZSC 26R<NBL26EZSC>
13	8A-NF0-014-010		PANEL,TRAY	38	8A-NF0-067-010		CABI,REAR EZSC 28<NBL28EZSC>
14	87-NF4-217-110		HLDR,LOCK 2	38	8A-NF0-064-010		CABI,REAR KSC<NBL24KSC>
15	87-NF4-216-010		HLDR,LOCK 1	39	8A-NF8-205-010		HLDR, IC
16	86-NF9-224-010		SPR-C,LOCK	40	8A-NF9-211-010		HLDR,PWB PT HI
17	82-NF5-229-010		PLATE,LOCK	41	87-NF4-221-010		HLDR,CABLE
18	8A-NF8-209-010		OIL-DMPR,120	△ 42	87-A80-157-010		AC CORD ASSY,E BLK CC
19	8A-NF0-025-010		KEY,ENTER	43	87-085-185-010		BUSHING, AC CORD (E) CM-22B
20	8A-NF0-048-010		KEY,RDS<NBL26EZSC>	44	8A-NF8-008-010		PANEL,RIGHT V-2
20	8A-NF0-018-010		KEY,SYNC<EXCEPT NBL26EZSC>	A	87-067-703-010		TAPPING SCREW, BVT2+3-10
21	8A-NF0-019-010		KEY,CD	B	87-NF4-224-010		S-SCREW,IT3B+3-8 CU
22	8A-NF0-010-010		KEY,ASSY OPE 1 WAY	C	87-067-581-010		TAPPING SCREW, BVT2+3-15
23	8A-NF0-009-010		KEY,FUN	D	87-067-689-010		TAPPING SCREW, BVT+3-8
24	8A-NF0-021-010		REFLECTOR,ECO	E	87-723-096-410		QT2+3-10W/O SLOT BL
25	8A-NF0-008-010		KEY,POWER	F	87-067-641-010		UTT2+3-8(W/O SLOT)BL
26	8A-NF0-029-010		CABI,FR EZ 28<NBL28EZSC>	G	87-078-191-010		S-SCREW,IT+4-10
26	8A-NF0-030-010		CABI,FR EZR26<NBL26EZSC>	H	87-721-096-410		QT2+3-10 GLD
26	8A-NF0-026-010		CABI,FR LH 24<NBL24KSC,NBL24EZSC>	I	87-721-097-410		QT2+3-12 GLD

COLOR NAME TABLE

Basic color symbol	Color	Basic color symbol	Color	Basic color symbol	Color
B	Black	C	Cream	D	Orange
G	Green	H	Gray	L	Blue
LT	Transparent Blue	N	Gold	P	Pink
R	Red	S	Silver	ST	Titan Silver
T	Brown	V	Violet	W	White
WT	Transparent White	Y	Yellow	YT	Transparent Yellow
LM	Metallic Blue	LL	Light Blue	GT	Transparent Green
LD	Dark Blue	DT	Transparent Orange	GM	Metallic Green
YM	Metallic Yellow	DM	Metallic Orange		



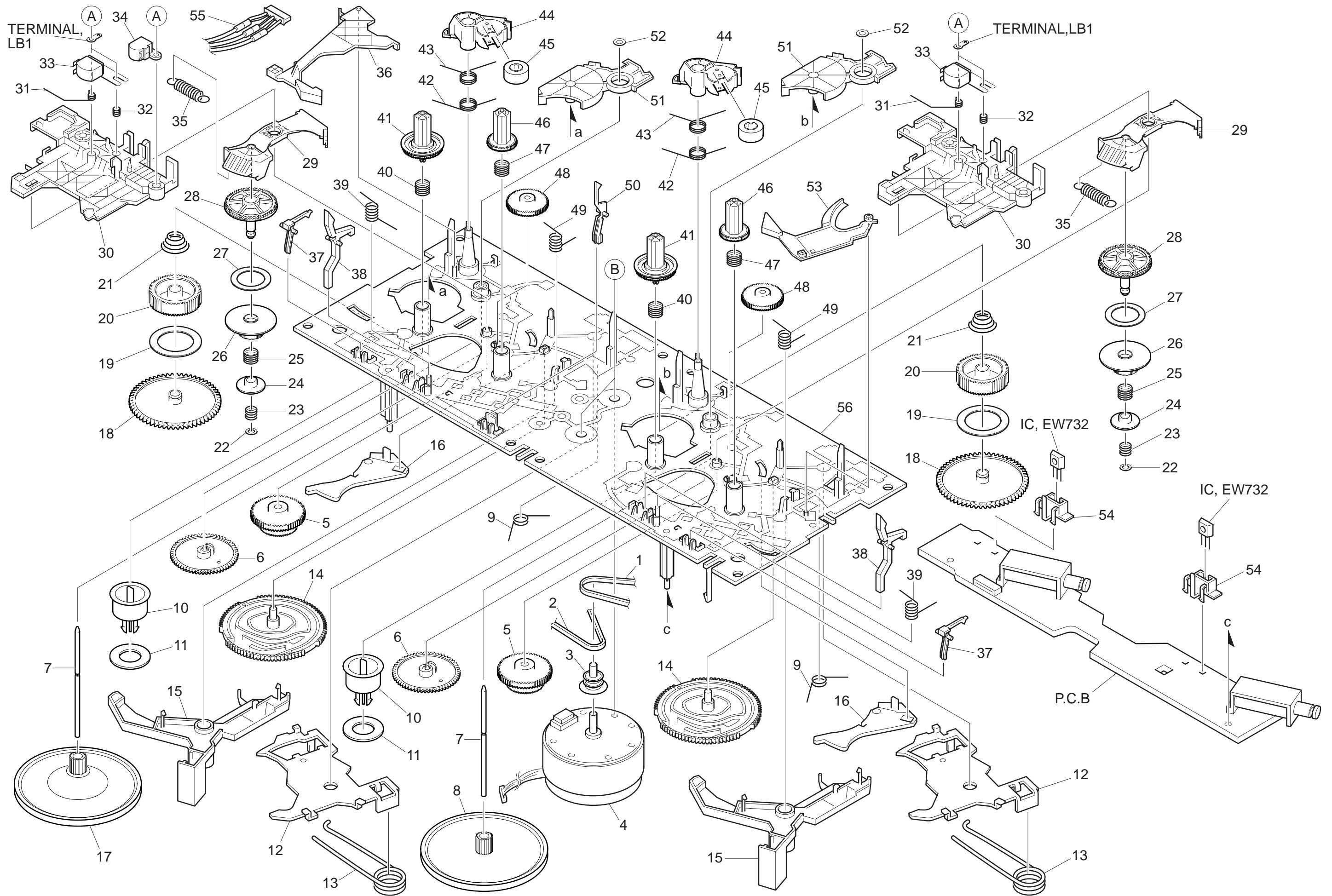
MECHANICAL PARTS LIST 1 / 1 (NSX-BL28) <K>

REF. NO.	PART NO.	KANRI NO.	DESCRIPTION	REF. NO.	PART NO.	KANRI NO.	DESCRIPTION
1	8A-NF0-007-010		WINDOW,CASS 2	31	8A-NF8-005-010		PANEL, TOP
2	8A-NF0-006-010		WINDOW,CASS 1	32	8A-NF8-006-010		WINDOW, TOP
3	8A-NF0-004-010		BOX,CASS 2	33	8A-NF8-206-010		HLDR,PWB M
4	8A-NF0-003-010		BOX,CASS 1	34	84-ZG1-245-210		CAP,OPTICAL
5	8A-NF8-208-010		SPR-T,EJECT 2	35	8A-NF0-071-010		CABI,REAR KSC 28
6	8A-NF8-207-010		SPR-T,EJECT 1	36	88-906-251-110		FF-CABLE,6P 1.25
7	8A-NF0-016-010		KNOB,RTRY VOL	37	8A-NF8-216-010		HLDR,IC C
8	81-532-080-010		LABEL, CASS. COMPT	38	8A-NF9-211-010		HLDR,PWB PT HI
9	8A-NF0-056-010		LENS,REMOCON	39	87-NF4-221-010		HLDR,CABLE
10	8A-NF0-005-010		WINDOW,DISP U	△ 40	87-A80-157-010		AC CORD ASSY,E BLK CC
11	8A-NF0-038-010		WINDOW,CD	41	87-085-185-010		BUSHING, AC CORD (E)
12	8A-NF0-014-010		PANEL, TRAY	42	8A-NF8-008-010		PANEL,RIGHT V-2
13	87-NF4-217-110		HLDR,LOCK 2	43	8Z-NB8-240-010		COVER, PL
14	87-NF4-216-010		HLDR,LOCK 1	A	87-067-703-010		TAPPING SCREW, BVT2+3-10
15	86-NF9-224-010		SPR-C,LOCK	B	87-NF4-224-010		S-SCREW,IT3B+3-8 CU
16	82-NF5-229-010		PLATE,LOCK	C	87-067-581-010		TAPPING SCREW, BVT2+3-15
17	8A-NF0-025-010		KEY,ENTER	D	87-067-689-010		TAPPING SCREW, BVTT+3-8
18	8A-NF8-209-010		OIL-DMPR,120	E	87-723-096-410		QT2+3-10W/O SLOT BL
19	8A-NF0-018-010		KEY,SYNC	F	87-067-641-010		UTT2+3-8(W/O SLOT)BL
20	8A-NF0-019-010		KEY,CD	G	87-078-191-010		S-SCREW,IT+4-10
21	8A-NF0-010-010		KEY,ASSY OPE 1 WAY	H	87-721-096-410		QT2+3-10 GLD
22	8A-NF0-009-010		KEY,FUN	I	87-721-097-410		QT2+3-12 GLD
23	8A-NF0-021-010		REFLECTOR,ECO				
24	8A-NF0-008-010		KEY,POWER				
25	8A-NF0-029-010		CABI,FR EZ 28				
26	88-913-301-110		FF-CABLE,13P-1.25				
27	88-911-101-110		FF-CABLE,11P 1.25				
28	8A-NF9-201-010		GUIDE,OPE 1 WAY				
29	82-NF7-210-110		GUIDE,FL (*)				
30	8A-NF8-007-010		PANEL,LEFT V-2				

COLOR NAME TABLE

Basic color symbol	Color	Basic color symbol	Color	Basic color symbol	Color
B	Black	C	Cream	D	Orange
G	Green	H	Gray	L	Blue
LT	Transparent Blue	N	Gold	P	Pink
R	Red	S	Silver	ST	Titan Silver
T	Brown	V	Violet	W	White
WT	Transparent White	Y	Yellow	YT	Transparent Yellow
LM	Metallic Blue	LL	Light Blue	GT	Transparent Green
LD	Dark Blue	DT	Transparent Orange	GM	Metallic Green
YM	Metallic Yellow	DM	Metallic Orange		

TAPE MECHANISM EXPLODED VIEW 1 / 1



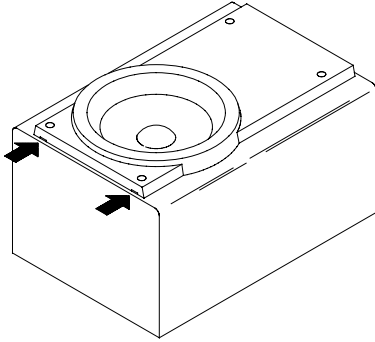
TAPE MECHANISM PARTS LIST 1 / 1

REF. NO.	PART NO.	KANRI NO.	DESCRIPTION	REF. NO.	PART NO.	KANRI NO.	DESCRIPTION
1	8Z-ZM3-227-010		BELT,MAIN M3	31	8Z-ZM3-233-010		SPR-T,BRG M3
2	8Z-ZM3-235-010		BELT,MAIN L	32	84-ZM2-227-310		SPR-C,AZIMUTH
3	8Z-ZM1-235-010		PULLEY,MOT	33	87-A90-403-110		HEAD,RPH MS15R
4	87-045-347-010		MOT,SHU2L 70	34	87-A90-404-010		HEAD,EH LE15B
5	8Z-ZM1-232-010		GEAR,IDL FF/REW	35	8Z-ZM3-239-010		SPR-E,FR
6	8Z-ZM3-244-010		GEAR,CAM TD20	36	8Z-ZM3-211-010		LEVER,EJECT R
7	8Z-ZM3-242-010		SHAFT,CAP M3	37	8Z-ZM3-225-010		LEVER,STOP
8	8Z-ZM3-228-010		FLY-WHL,M3	38	8Z-ZM3-221-010		LEVER,CAS
9	8Z-ZM3-231-010		SPR-T,TRIG	39	8Z-ZM3-234-010		SPR-T,LVR CAS
10	8Z-ZM3-213-010		CLR,MG	40	8Z-ZM3-223-010		SPR-C,REEL R M3
11	82-ZM3-616-010		RING MAGNET 4	41	8Z-ZM1-225-110		GEAR,REEL R
12	8Z-ZM3-243-010		LEVER ASSY,HD UP	42	8Z-ZM3-240-010		SPR-T,T-UP M3
13	8Z-ZM3-238-010		SPR-T,HD UP	43	8Z-ZM3-237-010		SPR-T,PINCH M3
14	8Z-ZM3-219-010		GEAR,CAM M3	44	8Z-ZM3-215-010		LEVER,PINCH M3
15	8Z-ZM3-206-010		LEVER,TRIG	45	8Z-ZM1-261-110		ROLLER ASSY,PINCH
16	8Z-ZM3-209-010		LEVER,CAM FR	46	8Z-ZM1-226-010		GEAR,REEL L
17	8Z-ZM2-211-010		FLY-WHL,ZZM-2	47	8Z-ZM3-222-010		SPR-C,REEL L M3
18	8Z-ZM1-228-010		GEAR,SLIP T-UP B	48	8Z-ZM3-251-010		GEAR,IDL REW M3
19	8Z-ZM1-265-010		FELT,T-UP	49	8Z-ZM3-236-010		SPR-T,PLAY M3
20	8Z-ZM1-227-010		GEAR,SLIP T-UP A	50	82-ZM1-240-110		LVR,REC(*)
21	8Z-ZM1-251-110		SPR-C,T-UP SLIP	51	8Z-ZM3-216-010		LEVER,T-UP M3
22	8Z-ZM1-275-010		W-L,1,47-4-0.25	52	87-B10-301-010		W-L,1.63-3.2-05 SLIT
23	8Z-ZM1-257-010		SPR-C,F/R	53	8Z-ZM3-212-010		LEVER,EJECT L
24	8Z-ZM1-236-010		CLR,SLIP FF/REW	54	8Z-ZM3-214-010		HLDR,IC
25	8Z-ZM3-226-010		SPR-C,FR M3	55	86-ZM3-605-110		CONN ASSY,8P -RPB
26	8Z-ZM3-250-010		GEAR,SLIP F/R A M3	56	8Z-ZM3-203-010		CHAS ASSY,M3
27	8Z-ZM1-269-010		FELT,FF/REW 2	A	84-ZM2-242-010		S-SCREW,AZ1-2-6.4
28	8Z-ZM1-238-110		GEAR,SLIP FF/REW B 2	B	8Z-ZM2-220-110		V+2.6 ZZM-2
29	8Z-ZM3-220-010		LEVER,FR M3				
30	8Z-ZM3-205-010		LEVER,PLAY M3				

SPEAKER DISASSEMBLY INSTRUCTIONS

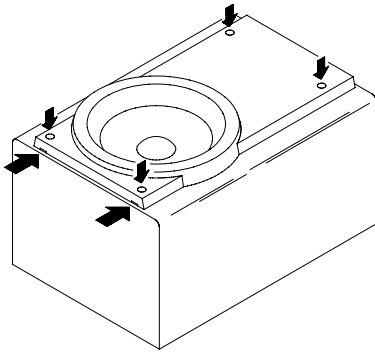
Type.1

Insert a flat-bladed screwdriver into the position indicated by the arrows and remove the panel. Remove the screws of each speaker unit and then remove the speaker units.



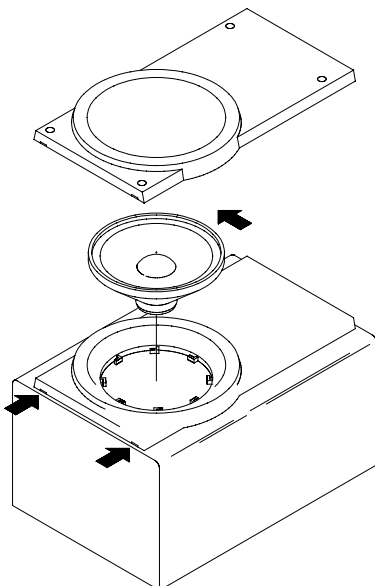
Type.2

Remove the grill frame and four pieces of rubber caps by pulling out with a flat-bladed screwdriver. Remove the screws from hole where installed rubber caps. Insert a flat-bladed screwdriver into the position indicated by the arrows and remove the panel. Remove the screws of each speaker unit and then remove the speaker units.

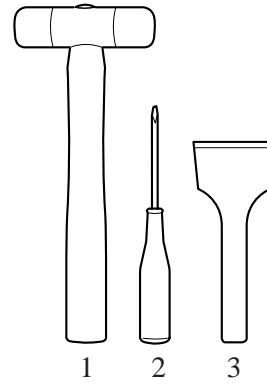


Type.3

Insert a flat-bladed screwdriver into the position indicated by the arrows and remove the panel. Turn the speaker unit to counter-clockwise direction while inserting a flat-bladed screwdriver into one of the hollows around speaker unit, and then remove the speaker unit. After replacing the speaker unit, install it turning to clockwise direction until "click" sound comes out.



Type.4



TOOLS

- 1 Plastic head hammer
- 2 flat head screwdriver
- 3 Cut chisel

How to Remove the PANEL, FR

1. Insert the flat head screwdriver tip into the gap between the PANEL, FR and the PANEL, SPKR. Tap the head of the flat head screwdriver with the plastic hammer head, and create the clearance as shown in Fig-1.
2. Insert the cut chisel in the clearance, and tap the head of the cut chisel with plastic hammer as shown in Fig-2, to remove the PANEL, FR.
3. Place the speaker horizontally. Tap head of the cut chisel with plastic hammer as shown in Fig-3, and remove the PANEL, FR completely.

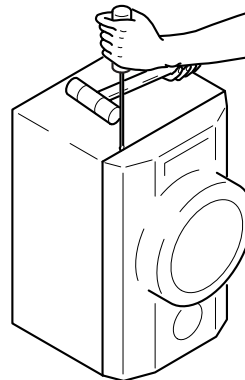


Fig-1

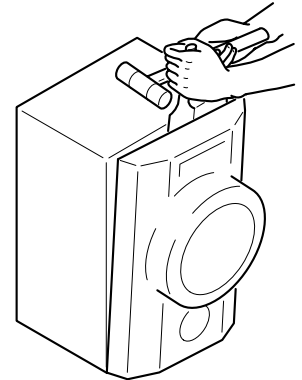


Fig-2

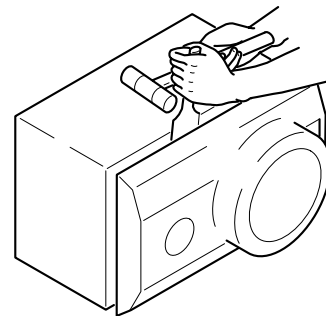


Fig-3

How to Attach the PANEL, FR

Attach the PANEL, FR to the PANEL, SPKR. Tap the four corners of the PANEL, FR with the plastic hammer to fit the PANEL, FR into the PANEL, SPKR completely.

SPEAKER PARTS LIST (SX-NBL25 / SX-NBL26) <YSC9>

REF. NO.	PART NO.	KANRI NO.	DESCRIPTION
1	8A-NSA-001-010		PANEL,FR
2	8A-NSA-003-010		GRILLE,FRAME ASSY<25YSC9>
2	8A-NSA-012-010		GRILLE,FRAME ASSY RDS<26YSC9>
3	8A-NSK-602-010		SPKR,W 140
4	8A-NSK-606-010		SPKR,T 60
5	87-NSH-612-010		CERAMIC ASSY
6	87-NS7-611-010		CORD,SPKR

SPEAKER PARTS LIST (SX-NBL28) <YSC9>

REF. NO.	PART NO.	KANRI NO.	DESCRIPTION
1	8A-YS8-001-010		PANEL,FR
2	8A-YS8-003-010		GRILLE,FRAME ASSY
3	8A-YS8-007-010		TERMINAL,PIN
4	8A-YS8-008-010		COVER,TERMINAL
5	8A-YS8-602-010		SPKR,W 200
6	88-NS5-610-010		CORD,SPKR

ACCESSORIES / PACKAGE LIST

REF. NO.	PART NO.	KANRI NO.	DESCRIPTION
1	8A-NF0-906-010		IB,EZ(9L)FM-BL24<24EZ>
1	8A-NF0-916-010		IB,EZ(9L)FM-BL26(RDS)<26EZ>
1	8A-NF0-926-010		IB,EZ(9L)FM-BL28(3D)<28EZ>
1	8A-NF0-905-010		IB,K(E)FM-BL24<24K>
1	8A-NF0-915-010		IB,K(E)FM-BL28(3D)<28K>
2	87-043-106-010		WIRE,FM ANT(Z)
3	87-A90-030-010		ANT,LOOP AM-NC C
4	8Z-NF9-702-010		RC UNIT,ZAS02

アイワ株式会社 〒110-8710 東京都台東区池之端1-2-11 ☎03(3827)3111 (代表)
AIWA CO.,LTD. 2-11, IKENOHATA 1-CHOME, TAITO-KU, TOKYO 110, JAPAN TEL:03 (3827) 3111