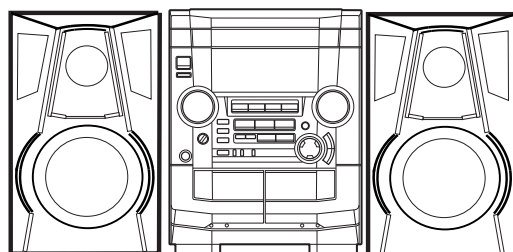




NSX-BL44 EZ,K,G

NSX-BL46 EZ

NSX-DR6 EZ



SERVICE MANUAL

COMPACT DISC
STEREO SYSTEM

BASIC TAPE MECHANISM : 6ZM-3 PR2NM(44/46)
BASIC TAPE MECHANISM : 6ZM-3 YPR2N(DR6)
BASIC CD MECHANISM : AZG-1 ZA3RDM(44/46)
BASIC CD MECHANISM : AZG-1 YZA3RDM(DR6)

SYSTEM	CD CASSEIVER	SPEAKER	REMOTE CONTROLLER
NSX-BL44 (G)	CX-NBL44	SX-NSZ53	RC-ZAS01
NSX-BL44 (EZ/K)	CX-NBL44	SX-NBL40	
NSX-BL46 (EZ)	CX-NBL46	SX-NBL42	
NSX-DR6 (EZ)	CX-NDR6	SX-NBL40	

If requiring information about the CD mechanism, see Service Manual of AZG-1 (S/M Code No. 09-001-335-3NC).

aiwa
S/M Code No. 09-002-429-5N2



SPECIFICATIONS

Main unit CX-NBL44, CX-NBL46, CX-NDR6

FM tuner section

Tuning range 87.5 MHz to 108 MHz
Usable sensitivity (IHF) 16.8 dBf
Antenna terminal 75 ohms (unbalanced)

AM (MW) tuner section

Tuning range 531 kHz to 1602 kHz (9 kHz step)
 530 kHz to 1710 kHz (10 kHz step)

Usable sensitivity 350 μ V/m
Antenna Loop antenna

LW tuner section

Tuning range 144 kHz to 290 kHz
Usable sensitivity 1400 μ V/m
Antenna Loop antenna

Amplifier section

Power output Rated: 80 W + 80 W (6 ohms, T.H.D. 1 %, 1 kHz/DIN 45500)
 Reference: 100 W +100 W (6 ohms, T.H.D. 10 %, 1 kHz/DIN 45324)
 DIN MUSIC POWER:
 200 W + 200 W

Total harmonic distortion 0.1 % (45 W, 1 kHz, 6 ohms, DIN AUDIO)

Inputs

VIDEO/AUX: 500 mV

Outputs

SPEAKERS:
 accept speakers of 6 ohms or more
SURROUND SPEAKERS:
 accept speakers of 8 ohms to 16 ohms
PHONES (stereo jack): accepts headphones of 32 ohms or more

Cassette deck section

Track format 4 tracks, 2 channels stereo
Frequency response 50 Hz – 15000 Hz
Recording system AC bias
Heads Deck 1: Playback head x 1
 Deck 2: Recording/playback head x 1, erase head x 1

Compact disc player section

Laser Semiconductor laser ($\lambda = 780$ nm)
D-A converter 1 bit dual
Signal-to-noise ratio 85 dB (1 kHz, 0 dB)
Harmonic distortion 0.05 % (1 kHz, 0 dB)
Wow and flutter Unmeasurable

General

Power requirements 230 V AC, 50 Hz
Power consumption 150 W
Power consumption in standby mode

If the power-economizing mode is ECO OFF: 20 W
 If the power-economizing mode is ECO ON or ECO AUTO: 0.9 W

Dimensions of main unit (W x H x D) 260 x 326 x 346 mm

Weight of main unit 8.2 kg

Speaker system SX-NBL40, SX-NBL42, SX-NSZ53

Speaker system 3 way, Bass reflex (magnetic shielded type)
Speaker units Woofer: 140 mm cone type
 Tweeter: 60 mm cone type
 Super tweeter: 20 mm ceramic type

Impedance 6 ohms
Sensitivity 87 dB/W/m
Dimensions (W x H x D) 220 x 324 x 230 mm <40, 42>
 240 x 324 x 270 mm <53>

Weight 4.0 kg

- Design and specifications are subject to change without notice.
- The word "BBE" and the "BBE symbol" are trademarks of BBE Sound, Inc.
- Under license from BBE Sound, Inc.

ACCESSORIES LIST

DESCRIPTIONで判断できない物は "REFERENCE NAME LIST" を参照してください。
 If can't understand for Description please kindly refer to "REFERENCE NAME LIST".

REF. NO	PART NO.	KANRI NO.	DESCRIPTION
1	8A-NFJ-937-010	IB, EZ (9L) E 46 (RDS) <A>	
1	8A-NFJ-936-010	IB, EZ (9L) E 44/DR6	
1	8A-NFJ-926-010	IB, EZ (9L) M 44<C>	
1	8A-NFJ-927-010	IB, EZ (9L) M 46 (RDS) <D>	
1	8A-NFJ-904-010	IB, G (E) M<E>	
1	8A-NFJ-925-010	IB, K (E) M 44<F>	
2	8Z-NF8-702-010	RC UNIT, RC-ZAS01	
3	87-006-225-010	ANT, LOOP ANT NC2	
4	87-A90-118-010	ANT, WIRE FM (Z)	

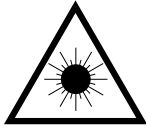
TYPE	MODEL NAME	SUFFIX
A	NOT USED	—
B	CX-NDR6	EZ
C	CX-NBL44	EZ
D	CX-NBL46	EZ
E	CX-NBL44	G
F	CX-NBL44	K

PROTECTION OF EYES FROM LASER BEAM DURING SERVICING

This set employs laser. Therefore, be sure to follow carefully the instructions below when servicing.

WARNING!

WHEN SERVICING, DO NOT APPROACH THE LASER EXIT WITH THE EYE TOO CLOSELY. IN CASE IT IS NECESSARY TO CONFIRM LASER BEAM EMISSION. BE SURE TO OBSERVE FROM A DISTANCE OF MORE THAN 30cm FROM THE SURFACE OF THE OBJECTIVE LENS ON THE OPTICAL PICK-UP BLOCK.



- Caution: Invisible laser radiation when open and interlocks defeated avoid exposure to beam.
- Advarsel: Usynlig laserstråling ved åbning, når sikkerhedsafbrydere er ude af funktion. Undgå udsættelse for stråling.

VAROITUS!

Laiteen Käyttäminen muulla kuin tässä käyttöohjeessa mainitulla tavalla saattaa altistaa käyt-täjän turvallisuusluokan 1 ylittävälle näkymättömälle lasersäteilylle.

VARNING!

Om apparaten används på annat sätt än vad som specificeras i denna bruksanvisning, kan användaren utsättas för osynlig laserstrålning, som överskrider gränsen för laserklass 1.

Precaution to replace Optical block

Body or clothes electrostatic potential could ruin laser diode in the optical block. Be sure ground body and workbench, and use care the clothes do not touch the diode.

- 1) After the connection, remove solder shown in the figure below.

CAUTION

Use of controls or adjustments or performance of procedures other than those specified herein may result in hazardous radiation exposure.

ATTENTION

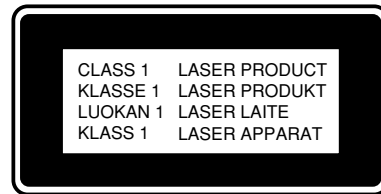
L'utilisation de commandes, réglages ou procédures autres que ceux spécifiés peut entraîner une dangereuse exposition aux radiations.

ADVARSEL!

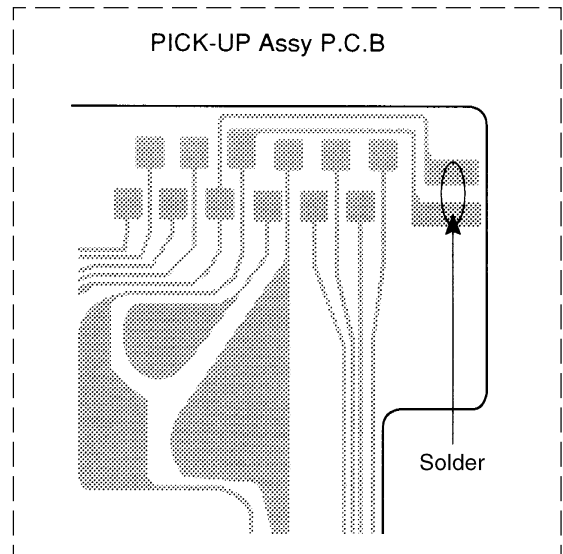
Usynlig laserstråling ved åbning, når sikkerhedsafbrydere er ude af funktion. Undgå udsættelse for stråling.

This Compact Disc player is classified as a CLASS 1 LASER product.

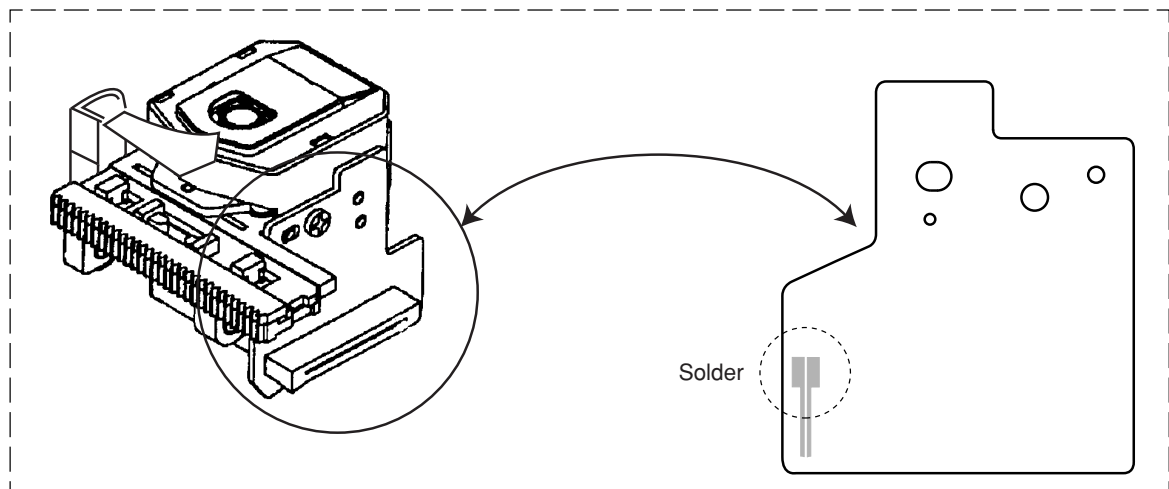
The CLASS 1 LASER PRODUCT label is located on the rear exterior.



ZA3/ZA4 MODEL



ZA8/ZD8 MODEL



NOTE ON BEFORE STARTING REPAIR

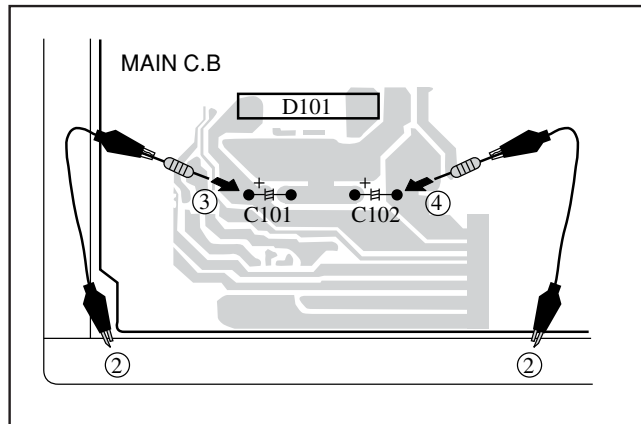
1. Forced discharge of electrolytic capacitor of power supply block

When repair is going to be attempted in the set that uses relay circuit in the power supply block, electric potential is kept charged across the electrolytic capacitors (C101, 102) even though AC power cord is removed. If repair is attempted in this condition, secondary defect can occur.

In order to prevent the secondary trouble, perform the following measures before starting repair work.

Discharge procedure

- ① Remove the AC power cord.
- ② Connect a discharging resistor at an end of lead wire that has clips at both ends. Connect the other end of the lead wire to metal chassis.
- ③ Contact the other end of the discharging resistor to the positive (+) side (+VH) of C101. (For two seconds)
- ④ Contact the same end of the discharging resistor as step 3 to the negative (-) side (-VH) of C102 in the same way. (For two seconds)
- ⑤ Check that voltage across C101 and C102 has decreased to 1 V or less using a multimeter or an oscilloscope.



Select a discharging resistor referring to the following table.

Charging voltage (V) (C101, 102)	Discharging resistor (Ω)	Rated power (W)	Parts number
25-48	100	3	87-A00-247-090
49-140	220	5	87-A00-232-090

Note: The reference numbers (C101, C102) of the electrolytic capacitors can change depending on the models. Be sure to check the reference numbers of the charging capacitors on schematic diagram before starting the discharging work.

2. Check items before exchanging the MICROCOMPUTER

Be sure to check the following items before exchanging the MICROCOMPUTER. Exchange the MICROCOMPUTER after confirming that the MICROCOMPUTER is surely defective.

2-1. Regarding the HOLD terminal of the MICROCOMPUTER

When the HOLD terminal (INPUT) of the MICROCOMPUTER is “H”, the MICROCOMPUTER is judged to be operating correctly. When this terminal is “L”, the main power cannot be turned on. Therefore, be sure to check the terminal voltage of the HOLD terminal before exchange.

When the MICROCOMPUTER is not defective, the HOLD terminal can also go “L” when the POWER AMPLIFIER has any abnormalities that triggers the abnormality detection circuit on the MAIN C. B. that sets the HOLD terminal to “L”.

• Good or no good judgement of the MICROCOMPUTER

- ① Turn on the AC main power.
- ② Confirm that the main power is turned on and the HOLD terminal of the MICROCOMPUTER keeps the “H” level or not.
- ③ When the HOLD terminal is “L” level, the abnormality detection circuit is judged to be working correctly and the MICROCOMPUTER is judged to be good.

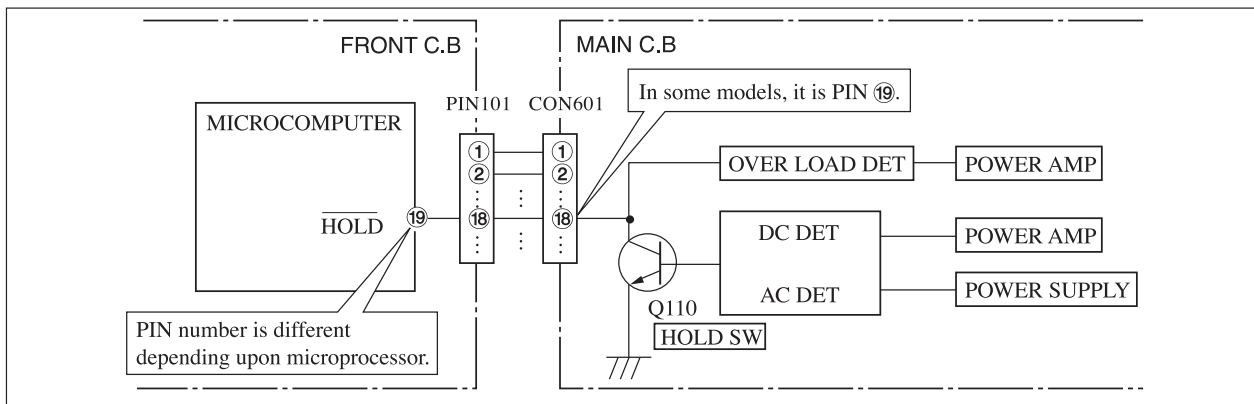


Fig-2-1

In such a case, check also if the POWER AMPLIFIER circuit or power supply circuit has any abnormalities or not.

2-2. Regarding reset

There are cases that the machine does not work correctly because the MICROCOMPUTER is not reset even though the AC power cord is re-inserted, or the software reset (pressing the STOP key + POWER key) is performed.

When the above described phenomenon occurs, it can lead to wrong judgement as if the MICROCOMPUTER is defective and to exchange the MICROCOMPUTER. In such a case, perform the forced-reset by the following procedure and check good or no good of the MICROCOMPUTER.

- ① Remove the AC power cord.

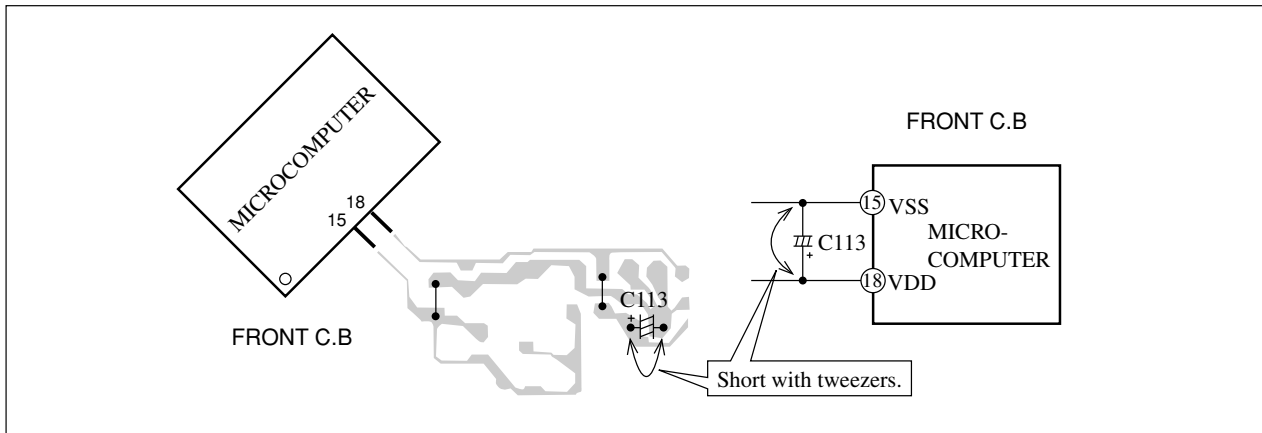


Fig-2-2

- ② Short both ends of the electrolytic capacitor C113 that is connected to VDD of the MICROCOMPUTER with tweezers.
- ③ Connect the AC power cord again. If the MICROCOMPUTER returns to the normal operation, the MICROCOMPUTER is good.

Note: The reference number or MICROCOMPUTER pin number of transistor (Q110) and electrolytic capacitor (C113) can change depending on the models. Be sure to check the reference numbers on schematic diagram before starting the discharging work.

2-3. Confirmation of soldering state of MICROCOMPUTER

Check the soldering state of the MICROCOMPUTER in addition to the above described procedures. Be sure to exchange the MICROCOMPUTER after surely confirming that the trouble is not caused by poor soldering but the MICROCOMPUTER itself.

ELECTRICAL MAIN PARTS LIST

DESCRIPTIONで判断できない物は "REFERENCE NAME LIST" を参照してください。
 If can't understand for Description please kindly refer to "REFERENCE NAME LIST".

REF. NO	PART NO.	KANRI NO.	DESCRIPTION	REF. NO	PART NO.	KANRI NO.	DESCRIPTION
IC							
	87-020-454-010	IC, DN6851		C0018	87-012-368-080		C-CAP, S 0.1-50 Z F
	87-A21-355-010	IC, STK490-140		C0019	87-016-520-000		CAP, E 3300-65 M SMG
	8A-NF8-620-010	C-IC, LC866548V-5R49<B, C, E, F>		C0020	87-016-520-000		CAP, E 3300-65 M SMG
	8A-NF8-621-010	C-IC, LC866560W-5R50<A, D>		C0023	87-016-658-000		CAP, E 4700-35 M SMG
	87-A21-629-010	IC, SPS-442-1-N		C0024	87-016-658-000		CAP, E 4700-35 M SMG
	87-A21-419-040	C-IC, NJM14558MD-TE2		C0025	87-010-408-080		CAP, E 47-50 M 11L SME
	87-A21-577-040	C-IC, M61506FP		C0026	87-010-247-080		CAP, E 100-50 M SME
	87-070-289-040	C-IC, BU2092F		C0030	87-010-430-080		CAP, E 100-63
	87-A21-401-040	C-IC, M61503FP		C0031	87-010-263-080		CAP, E 100-10 M 11L SME
	87-A21-560-010	IC, LA1844L-A		C0032	87-010-197-080		C-CAP, S 0.01-25 K B C2012
	87-A20-440-040	C-IC, BU1920FS<A, D>		C0034	87-010-260-080		CAP, E 47-25 M 11L SME
	87-070-127-110	IC, LC72131D		C0035	87-010-380-080		CAP, E 47-16 M 11L SME
				C0036	87-010-381-080		CAP, E 330-16 M SME
				C0038	87-010-197-080		C-CAP, S 0.01-25 K B C2012
				C0060	87-010-403-080		CAP, E 3.3-50 M 11L SME
TRANSISTOR							
	87-026-609-080	TR, KTA1266GR		C0061	87-010-260-080		CAP, E 47-25 M 11L SME
	89-213-702-010	TR, 2SB1370E		C0101	87-010-183-080		C-CAP, S 2700P-50 K B GRM
	87-026-610-080	TR, KTC3198GR		C0102	87-010-183-080		C-CAP, S 2700P-50 K B GRM
	87-A30-076-080	C-TR, 2SC3052F		C0103	87-010-545-080		CAP, E 0.22-50 M 11L SME
	87-A30-075-080	C-TR, 2SA1235F		C0104	87-010-545-080		CAP, E 0.22-50 M 11L SME
	87-026-245-080	TR, DTC114ES		C0107	87-010-405-080		CAP, E 10-50 M 11L SME
	87-A30-198-080	TR, KTC3199GR		C0108	87-010-405-080		CAP, E 10-50 M 11L SME
	87-A30-107-070	C-TR, CMBT5401		C0109	87-010-179-080		C-CAP, S 1200P-50 K B GRM
	87-A30-106-040	C-TR, CMBT5551		C0110	87-010-179-080		C-CAP, S 1200P-50 K B GRM
	87-A30-087-080	C-FET, 2SK2158		C0111	87-010-405-080		CAP, E 10-50 M 11L SME
	87-A30-074-080	C-TR, RT1P 141C		C0112	87-010-405-080		CAP, E 10-50 M 11L SME
	87-A30-318-080	TR, CSA952K<F>		C0113	87-A12-180-080		CAP, E 10-63 M 105 KME
	87-A30-495-080	TR, 2SA1981Y<EXCEPT F>		C0114	87-A12-180-080		CAP, E 10-63 M 105 KME
	87-A30-091-080	FET, 2SJ460		C0119	87-010-197-080		C-CAP, S 0.01-25 K B C2012
	87-A30-329-080	TR, CD1585BC		C0120	87-010-197-080		C-CAP, S 0.01-25 K B C2012
	87-A30-090-080	FET, 2SK2541		C0123	87-010-176-080		C-CAP, S 680P-50 J SL
	87-A30-104-080	C-TR, RT1N 441C		C0124	87-010-176-080		C-CAP, S 680P-50 J SL
	87-A30-468-080	C-TR, KRC102S-RTK		C0125	87-012-368-080		C-CAP, S 0.1-50 Z F
	87-A30-484-080	C-TR, KRA102S		C0126	87-012-368-080		C-CAP, S 0.1-50 Z F
	87-A30-492-080	TR, 2SC5343G<EXCEPT F>		C0127	87-012-368-080		C-CAP, S 0.1-50 Z F
	89-333-317-880	TR, 2SC3331 (T/U) <F>		C0128	87-012-368-080		C-CAP, S 0.1-50 Z F
	89-327-143-080	C-TR, 2SC27140		C0129	87-010-191-080		C-CAP, S 0.015-50 Z F GRM
	87-A30-489-080	C-TR, KRA107S		C0130	87-010-191-080		C-CAP, S 0.015-50 Z F GRM
	87-A30-086-040	C-TR, CSD1306E		C0131	87-010-197-080		C-CAP, S 0.01-25 K B C2012
	89-503-602-080	C-FET, 2SK360E		C0132	87-010-197-080		C-CAP, S 0.01-25 K B C2012
	87-A30-234-080	TR, CSC4115BC		C0133	87-010-186-080		C-CAP, S 4700P-50 K B C2012
				C0134	87-010-379-080		CAP, E 22-16 M 11L SME
				C0140	87-010-182-080		C-CAP, S 2200P-50 K B C2012
				C0141	87-010-196-080		C-CAP, S 0.1-25 Z F C2012
				C0237	87-010-322-080		C-CAP, S 100P-50 J CH GRM
DIODE							
	87-A40-393-090	DIODE, 1N5402GW (F20)		C0238	87-010-322-080		C-CAP, S 100P-50 J CH GRM
	87-020-465-080	DIODE, 1SS133		C0270	87-010-197-080		C-CAP, S 0.01-25 K B C2012<EXCEPT F>
	87-A40-547-090	DIODE, D5SBA20		C0301	87-010-178-080		C-CAP, S 1000P-50 K B C2012
	87-A40-553-080	DIODE, 1N4003 LES		C0302	87-010-178-080		C-CAP, S 1000P-50 K B C2012
	87-A40-776-080	ZENER, UZ27BSD		C0303	87-010-179-080		C-CAP, S 1200P-50 K B GRM
	87-A40-764-080	ZENER, UZ10BSC		C0304	87-010-179-080		C-CAP, S 1200P-50 K B GRM
	87-A40-270-080	C-DIODE, MC2838		C0307	87-010-263-080		CAP, E 100-10 M 11L SME
	87-A40-313-080	C-DIODE, MC2840		C0308	87-010-263-080		CAP, E 100-10 M 11L SME
	87-A40-269-080	C-DIODE, MC2836		C0309	87-010-318-080		C-CAP, S 47P-50 J CH GRM
	87-A40-768-080	ZENER, UZ16BSA		C0310	87-010-318-080		C-CAP, S 47P-50 J CH GRM
	87-A40-752-080	ZENER, UZ6.2BSC		C0313	87-010-188-080		C-CAP, S 6800P-50 K B C2012
	87-A40-802-080	ZENER, UZ5.1BSC		C0314	87-010-188-080		C-CAP, S 6800P-50 K B C2012
	87-A40-739-080	ZENER, UZ2.7BSA		C0315	87-010-263-080		CAP, E 100-10 M 11L SME
	87-017-149-080	ZENER, HZS6A2L		C0317	87-010-546-080		CAP, E 0.33-50 M 11L SME
				C0318	87-010-546-080		CAP, E 0.33-50 M 11L SME
MAIN C.B							
C0003	87-012-368-080	C-CAP, S 0.1-50 Z F		C0326	87-010-198-080		C-CAP, S 0.022-25 K B C2012
C0004	87-012-368-080	C-CAP, S 0.1-50 Z F		C0327	87-012-368-080		C-CAP, S 0.1-50 Z F
C0005	87-012-368-080	C-CAP, S 0.1-50 Z F		C0360	87-010-401-080		CAP, E 1-50 M 11L SME
C0006	87-012-368-080	C-CAP, S 0.1-50 Z F		C0365	87-010-197-080		C-CAP, S 0.01-25 K B C2012
C0015	87-012-368-080	C-CAP, S 0.1-50 Z F		C0399	87-012-140-080		C-CAP, S 470P-50 J CH
C0016	87-012-368-080	C-CAP, S 0.1-50 Z F		C0401	87-010-544-080		CAP, E 0.1-50 M 11L SME
C0017	87-012-368-080	C-CAP, S 0.1-50 Z F		C0402	87-010-544-080		CAP, E 0.1-50 M 11L SME
				C0403	87-010-321-080		C-CAP, S 82P-50 J CH
				C0404	87-010-321-080		C-CAP, S 82P-50 J CH
				C0405	87-010-197-080		C-CAP, S 0.01-25 K B C2012

REF. NO	PART NO.	KANRI NO.	DESCRIPTION	REF. NO	PART NO.	KANRI NO.	DESCRIPTION
C0406	87-010-197-080		C-CAP,S 0.01-25 K B C2012	C0807	87-010-400-080		CAP,E 0.47-50 M 11L SME
C0407	87-010-197-080		C-CAP,S 0.01-25 K B C2012	C0808	87-010-401-080		CAP,E 1-50 M 11L SME
C0408	87-010-197-080		C-CAP,S 0.01-25 K B C2012	C0809	87-010-401-080		CAP,E 1-50 M 11L SME
C0409	87-010-182-080		C-CAP,S 2200P-50 K B C2012	C0810	87-010-196-080		C-CAP,S 0.1-25 Z F C2012
C0410	87-010-182-080		C-CAP,S 2200P-50 K B C2012	C0814	87-010-197-080		C-CAP,S 0.01-25 K B C2012
C0411	87-010-405-080		CAP,E 10-50 M 11L SME	C0815	87-010-400-080		CAP,E 0.47-50 M 11L SME
C0412	87-010-405-080		CAP,E 10-50 M 11L SME	C0816	87-010-400-080		CAP,E 0.47-50 M 11L SME
C0452	87-010-382-080		CAP,E 22-25 M 11L SME	C0818	87-010-180-080		C-CAP,S 1500P-50 K B C2012
C0453	87-010-183-080		C-CAP,S 2700P-50 K B GRM	C0821	87-010-405-080		CAP,E 10-50 M 11L SME
C0454	87-010-183-080		C-CAP,S 2700P-50 K B GRM	C0823	87-012-349-080		C-CAP,S 1000P-50 J CH GRM
C0455	87-010-183-080		C-CAP,S 2700P-50 K B GRM	C0824	87-010-404-080		CAP,E 4.7-50 M 11L SME
C0456	87-010-197-080		C-CAP,S 0.01-25 K B C2012	C0825	87-010-596-080		C-CAP,S 0.047-16 K R C2012
C0457	87-A12-361-080		CAP,M 5600P-100 J CP<EXCEPT F>	C0831	87-010-406-080		CAP,E 22-50 M 11L SME
C0458	87-010-178-080		C-CAP,S 1000P-50 K B C2012	C0842	87-010-197-080		C-CAP,S 0.01-25 K B C2012
C0459	87-010-175-080		C-CAP,S 560P-50 J SL	C0844	87-010-197-080		C-CAP,S 0.01-25 K B C2012
C0460	87-010-196-080		C-CAP,S 0.1-25 Z F C2012	C0850	87-010-260-080		CAP,E 47-25 M 11L SME
C0461	87-012-158-080		C-CAP,S 390P-50 J CH GRM	C0851	87-010-197-080		C-CAP,S 0.01-25 K B C2012
C0462	87-012-158-080		C-CAP,S 390P-50 J CH GRM	C0852	87-010-197-080		C-CAP,S 0.01-25 K B C2012
C0521	87-010-546-080		CAP,E 0.33-50 M 11L SME	C0853	87-010-197-080		C-CAP,S 0.01-25 K B C2012
C0522	87-010-546-080		CAP,E 0.33-50 M 11L SME	C0858	87-010-196-080		C-CAP,S 0.1-25 Z F C2012
C0605	87-010-184-080		C-CAP,S 3300P-50 K B C2012	C0859	87-010-196-080		C-CAP,S 0.1-25 Z F C2012
C0606	87-010-184-080		C-CAP,S 3300P-50 K B C2012	C0860	87-010-197-080		C-CAP,S 0.01-25 K B C2012
C0609	87-010-213-080		C-CAP,S 0.015-25 K B GRM	C0869	87-010-197-080		C-CAP,S 0.01-25 K B C2012<A,D>
C0610	87-010-213-080		C-CAP,S 0.015-25 K B GRM	C0870	87-018-131-080		CAP,TC U 1000P-50 K B UP050<A,D>
C0611	87-010-545-080		CAP,E 0.22-50 M 11L SME	C0871	87-012-156-080		C-CAP,S 220P-50 J CH GRM<A,D>
C0612	87-010-545-080		CAP,E 0.22-50 M 11L SME	C0872	87-012-156-080		C-CAP,S 220P-50 J CH GRM<A,D>
C0613	87-010-545-080		CAP,E 0.22-50 M 11L SME	C0873	87-012-140-080		C-CAP,S 470P-50 J CH<A,D>
C0614	87-010-545-080		CAP,E 0.22-50 M 11L SME	C0874	87-010-405-080		CAP,E 10-50 M 11L SME<A,D>
C0615	87-010-154-080		C-CAP,S 10P-50 D CH GRM	C0875	87-010-196-080		C-CAP,S 0.1-25 Z F C2012<A,D>
C0616	87-010-385-080		CAP,E 220-25 M SME	C0876	87-010-405-080		CAP,E 10-50 M 11L SME<A,D>
C0617	87-010-385-080		CAP,E 220-25 M SME	C0877	87-010-197-080		C-CAP,S 0.01-25 K B C2012<A,D>
C0618	87-010-405-080		CAP,E 10-50 M 11L SME	C0878	87-010-316-080		C-CAP,S 33P-50 J CH GRM<A,D>
C0620	87-010-263-080		CAP,E 100-10 M 11L SME	C0879	87-010-314-080		C-CAP,S 22P-50 J CH GRM<A,D>
C0630	87-016-669-080		C-CAP,S 0.1-25 K B	C0940	87-010-197-080		C-CAP,S 0.01-25 K B C2012
C0631	87-010-185-080		C-CAP,S 3900P-50 K B	C0942	87-010-149-080		C-CAP,S 5P-50 C CH GRM
C0632	87-010-185-080		C-CAP,S 3900P-50 K B	C0947	87-010-197-080		C-CAP,S 0.01-25 K B C2012
C0633	87-016-369-080		C-CAP,S 0.033-25 K B GRM	C0948	87-012-140-080		C-CAP,S 470P-50 J CH
C0634	87-016-369-080		C-CAP,S 0.033-25 K B GRM	C0952	87-010-197-080		C-CAP,S 0.01-25 K B C2012
C0661	87-012-157-080		C-CAP,S 330P-50 J CH GRM	C0957	87-010-311-080		C-CAP,S 12P-50 J CH GRM
C0662	87-012-157-080		C-CAP,S 330P-50 J CH GRM	C0958	87-010-197-080		C-CAP,S 0.01-25 K B C2012
C0669	87-010-180-080		C-CAP,S 1500P-50 K B C2012	C0959	87-010-196-080		C-CAP,S 0.1-25 Z F C2012
C0670	87-010-180-080		C-CAP,S 1500P-50 K B C2012	C0960	87-010-196-080		C-CAP,S 0.1-25 Z F C2012
C0677	87-010-197-080		C-CAP,S 0.01-25 K B C2012	C0962	87-010-401-080		CAP,E 1-50 M 11L SME
C0771	87-010-263-080		CAP,E 100-10 M 11L SME	C0963	87-015-785-080		C-CAP, 0.1-25 Z F C3216
C0772	87-010-197-080		C-CAP,S 0.01-25 K B C2012	C0971	87-010-381-080		CAP,E 330-16 M SME
C0779	87-010-186-080		C-CAP,S 4700P-50 K B C2012	C0972	87-010-404-080		CAP,E 4.7-50 M 11L SME
C0780	87-010-186-080		C-CAP,S 4700P-50 K B C2012	C0973	87-010-197-080		C-CAP,S 0.01-25 K B C2012
C0782	87-010-197-080		C-CAP,S 0.01-25 K B C2012	C0974	87-010-197-080		C-CAP,S 0.01-25 K B C2012
C0783	87-010-197-080		C-CAP,S 0.01-25 K B C2012	C0979	87-010-322-080		C-CAP,S 100P-50 J CH GRM
C0784	87-010-197-080		C-CAP,S 0.01-25 K B C2012	C0981	87-010-260-080		CAP,E 47-25 M 11L SME
C0785	87-010-197-080		C-CAP,S 0.01-25 K B C2012	C0982	87-010-196-080		C-CAP,S 0.1-25 Z F C2012
C0786	87-010-197-080		C-CAP,S 0.01-25 K B C2012	C0983	87-010-197-080		C-CAP,S 0.01-25 K B C2012
C0788	87-010-149-080		C-CAP,S 5P-50 C CH GRM	C0984	87-010-197-080		C-CAP,S 0.01-25 K B C2012
C0789	87-A10-801-080		C-CAP,S 0.022-16 J B CM	C0985	87-010-322-080		C-CAP,S 100P-50 J CH GRM
C0790	87-A10-801-080		C-CAP,S 0.022-16 J B CM	C0987	87-010-197-080		C-CAP,S 0.01-25 K B C2012
C0791	87-010-196-080		C-CAP,S 0.1-25 Z F C2012	C0989	87-010-197-080		C-CAP,S 0.01-25 K B C2012
C0792	87-010-197-080		C-CAP,S 0.01-25 K B C2012	C0991	87-010-312-080		C-CAP,S 15P-50 J CH GRM
C0793	87-010-404-080		CAP,E 4.7-50 M 11L SME	C0992	87-010-312-080		C-CAP,S 15P-50 J CH GRM
C0794	87-012-140-080		C-CAP,S 470P-50 J CH<B,C,E,F>	C0993	87-010-178-080		C-CAP,S 1000P-50 K B C2012
C0794	87-012-155-080		C-CAP,S 180P-50 J CH GRM<A,D>	C0995	87-010-178-080		C-CAP,S 1000P-50 K B C2012
C0795	87-010-197-080		C-CAP,S 0.01-25 K B C2012	C0997	87-010-196-080		C-CAP,S 0.1-25 Z F C2012
C0796	87-010-197-080		C-CAP,S 0.01-25 K B C2012	C0998	87-010-260-080		CAP,E 47-25 M 11L SME
C0797	87-010-405-080		CAP,E 10-50 M 11L SME	C0999	87-A11-132-080		CAP,TC U 0.01-50 K B
C0798	87-010-197-080		C-CAP,S 0.01-25 K B C2012	CF0831	87-008-423-010		FLTR,CF SFE10.7MS3G-A
C0799	87-010-407-080		CAP,E 33-50 M 11L SME	CF0832	82-785-747-010		CF,MS2 GHY,R
C0800	87-012-369-080		C-CAP,S 0.047-50 Z F	CN0301	87-A60-620-010		CONN,3P V 2MM JMT
C0801	87-010-403-080		CAP,E 3.3-50 M 11L SME	CN0351	87-A60-625-010		CONN,8P V 2MM JMT
C0802	87-010-194-080		C-CAP,S 0.047-25 Z F	CN0601	87-099-719-010		CONN,30P H BLK TYK-B(X)
C0803	87-010-198-080		C-CAP,S 0.022-25 K B C2012	CN0602	87-A60-131-010		CONN,6P V FE
C0804	87-010-263-080		CAP,E 100-10 M 11L SME	CNA0001	8A-NF8-654-010		CONN ASSY,11P TID-A(480)

REF. NO	PART NO.	KANRI NO.	DESCRIPTION	REF. NO	PART NO.	KANRI NO.	DESCRIPTION
FB0602	87-008-372-080		FLTR,EMI BL01 RN1	C0325	87-A10-189-040		CAP,E 220-10 M 5L
FFC0602	88-906-251-110		FF-CABLE, 6P 1.25	C0326	87-A10-189-040		CAP,E 220-10 M 5L
FFE0831	A8-6ZA-191-130		6ZA-1 FFEENM<C,D,E,F>	C0332	87-010-178-080		C-CAP,S 1000P-50 K B C2012
FFE0831	A8-6ZA-19C-170		6ZA-1 YFEENC<A,B>	C0334	87-010-312-080		C-CAP,S 15P-50 J CH GRM
J0201	87-A60-488-010		JACK,DIA6.3 BLK ST W/SW KM16AT	C0335	87-012-140-080		C-CAP,S 470P-50 J CH
J0203	87-A60-238-010		TERMINAL,SP 4P (MSC)	C0336	87-012-155-080		C-CAP,S 180P-50 J CH GRM
J0204	87-A60-881-010		JACK,PIN 2P MSP 242V05 PBSN	C0339	87-012-156-080		C-CAP,S 220P-50 J CH GRM
J0602	87-A60-881-010		JACK,PIN 2P MSP 242V05 PBSN	C0340	87-010-197-080		C-CAP,S 0.01-25 K B C2012
J0832	87-A60-403-010		TERMINAL,ANT PAL 2P HSP-312V05	C0341	87-010-194-080		C-CAP,S 0.047-25 Z F
JW0105	87-A00-764-010		RES,M/F 0.22-3W J	C0351	87-010-981-040		CAP,E 22-35 M 5L SRE
JW0106	87-A00-764-010		RES,M/F 0.22-3W J	C0401	87-010-197-080		C-CAP,S 0.01-25 K B C2012
L0101	87-A50-610-010		COIL,1UH K(MDEC)	C0451	87-010-196-080		C-CAP,S 0.1-25 Z F C2012
L0102	87-A50-610-010		COIL,1UH K(MDEC)	C0452	87-010-196-080		C-CAP,S 0.1-25 Z F C2012
L0451	87-007-342-010		COIL,OSC 85KHZ BIAS	C0453	87-010-196-080		C-CAP,S 0.1-25 Z F C2012
L0801	87-A50-608-010		COIL,FM DET-N(TOK)	C0454	87-010-196-080		C-CAP,S 0.1-25 Z F C2012
L0802	87-A91-551-010		FLTR,PCFJZH-450 L(TOK)	C0455	87-010-196-080		C-CAP,S 0.1-25 Z F C2012
L0811	87-005-847-080		COIL,2.2UH K CECS	C0458	87-010-320-080		C-CAP,S 68P-50 J CH GRM
L0832	87-005-847-080		COIL,2.2UH K CECS	C0459	87-010-320-080		C-CAP,S 68P-50 J CH GRM
L0861	87-005-847-080		COIL,2.2UH K CECS<A,D>	C0602	87-010-322-080		C-CAP,S 100P-50 J CH GRM
L0941	87-A50-020-010		COIL,ANT LW (COI) 252KHZ	C0603	87-010-322-080		C-CAP,S 100P-50 J CH GRM
L0942	87-A50-019-010		COIL,OSC LW (COI) 856KHZ	C0604	87-010-322-080		C-CAP,S 100P-50 J CH GRM
L0951	8A-NF8-668-010		COIL,AM PACK 2(TOK)	C0650	87-010-196-080		C-CAP,S 0.1-25 Z F C2012
R0129	87-A00-764-010		RES,M/F 0.22-3W J	C0699	87-010-196-080		C-CAP,S 0.1-25 Z F C2012
R0130	87-A00-764-010		RES,M/F 0.22-3W J	CN0101	87-099-720-010		CONN,30P BLK TYK-B(P)
R0143	87-A00-439-050		RES,180-1/2W J RP	CN0102	87-099-015-010		CONN,13P V BLK 6216
R0144	87-A00-439-050		RES,180-1/2W J RP	CN0302	87-A60-136-010		CONN,11P V FE
R0145	87-A00-439-050		RES,180-1/2W J RP	FB0301	87-008-372-080		FLTR,EMI BL01 RN1
R0146	87-A00-439-050		RES,180-1/2W J RP	FFC0102	88-913-301-110		FF-CABLE,13P-1.25
R0790	87-010-197-080		C-CAP,S 0.01-25 K B C2012	FFC0105	88-911-101-110		FF-CABLE,11P 1.25
R0991	87-010-322-080		C-CAP,S 100P-50 J CH GRM	FL0401	8A-NF8-601-010		FL,HNA-11MM30 (ANF-8)
R0993	87-010-322-080		C-CAP,S 100P-50 J CH GRM	L0331	87-A50-408-010		COIL,OSC 5.76MHZ
R0995	87-010-322-080		C-CAP,S 100P-50 J CH GRM	LED0311	87-A40-589-040		LED,SLR-56VCT31 RED
SFR0451	87-A90-432-080		SFR,30K H NVZ6TLTA	LED0601	87-A40-803-010		LED,SELUIE10CKM-S LF38 BLUE
SFR0452	87-A90-432-080		SFR,30K H NVZ6TLTA	LED0602	87-A40-619-080		LED,SLR-56PT-TE7-W GRN
TC0942	87-011-253-080		TRIMMER,CER 30P 4.0X4.5 ECRLA	LED0603	87-A40-619-080		LED,SLR-56PT-TE7-W GRN
WH0001	87-A91-179-010		HLDR,WIRE 2.5-11P	LED0604	87-A40-619-080		LED,SLR-56PT-TE7-W GRN
X0861	87-A70-091-010		VIB,XTAL 4.332MHZ CSA-309<A,D>	LED0606	87-A40-619-080		LED,SLR-56PT-TE7-W GRN
X0991	87-A70-061-010		VIB,XTAL 4.500MHZ CSA-309	LED0607	87-A40-619-080		LED,SLR-56PT-TE7-W GRN
				LED0608	87-A40-619-080		LED,SLR-56PT-TE7-W GRN
FRONT C.B				S0401	87-A91-024-180		SW,TACT KSHG611BT
C0201	87-010-322-080		C-CAP,S 100P-50 J CH GRM	S0402	87-A91-024-180		SW,TACT KSHG611BT
C0202	87-010-322-080		C-CAP,S 100P-50 J CH GRM	S0403	87-A91-024-180		SW,TACT KSHG611BT
C0203	87-010-322-080		C-CAP,S 100P-50 J CH GRM	S0404	87-A91-024-180		SW,TACT KSHG611BT
C0204	87-010-322-080		C-CAP,S 100P-50 J CH GRM	S0405	87-A91-024-180		SW,TACT KSHG611BT
C0205	87-010-322-080		C-CAP,S 100P-50 J CH GRM	S0406	87-A91-024-180		SW,TACT KSHG611BT
C0206	87-010-322-080		C-CAP,S 100P-50 J CH GRM	S0407	87-A91-024-180		SW,TACT KSHG611BT
C0207	87-010-322-080		C-CAP,S 100P-50 J CH GRM	S0408	87-A91-024-180		SW,TACT KSHG611BT
C0208	87-010-322-080		C-CAP,S 100P-50 J CH GRM	S0409	87-A91-024-180		SW,TACT KSHG611BT
C0209	87-010-322-080		C-CAP,S 100P-50 J CH GRM	S0410	87-A91-024-180		SW,TACT KSHG611BT
C0210	87-010-322-080		C-CAP,S 100P-50 J CH GRM	S0411	87-A91-024-180		SW,TACT KSHG611BT
C0211	87-010-322-080		C-CAP,S 100P-50 J CH GRM	S0412	87-A91-024-180		SW,TACT KSHG611BT<A,D>
C0251	87-010-405-040		CAP,E 10-50 M 11L SME	S0413	87-A91-024-180		SW,TACT KSHG611BT
C0253	87-010-196-080		C-CAP,S 0.1-25 Z F C2012	S0414	87-A91-024-180		SW,TACT KSHG611BT
C0254	87-012-369-080		C-CAP,S 0.047-50 Z F	S0415	87-A91-024-180		SW,TACT KSHG611BT
C0255	87-010-560-040		CAP,E 10-50 M 5L MA	S0416	87-A91-024-180		SW,TACT KSHG611BT
C0256	87-010-405-040		CAP,E 10-50 M 11L SME	S0417	87-A91-024-180		SW,TACT KSHG611BT
C0259	87-010-405-040		CAP,E 10-50 M 11L SME	S0418	87-A91-024-180		SW,TACT KSHG611BT
C0264	87-A11-148-080		CAP,TC U 0.1-50 Z F	S0419	87-A91-024-180		SW,TACT KSHG611BT
C0273	87-010-178-080		C-CAP,S 1000P-50 K B C2012	S0420	87-A91-024-180		SW,TACT KSHG611BT<A,D>
C0274	87-010-178-080		C-CAP,S 1000P-50 K B C2012	S0421	87-A91-024-180		SW,TACT KSHG611BT<A,D>
C0301	87-010-182-080		C-CAP,S 2200P-50 K B C2012	S0425	87-A91-024-180		SW,TACT KSHG611BT
C0302	87-010-196-080		C-CAP,S 0.1-25 Z F C2012	S0426	87-A91-024-180		SW,TACT KSHG611BT
C0303	87-010-196-080		C-CAP,S 0.1-25 Z F C2012	S0432	87-A91-024-180		SW,TACT KSHG611BT
C0312	87-010-498-040		CAP,E 10-16 M 5L SRE	S0433	87-A91-024-180		SW,TACT KSHG611BT
C0314	87-010-196-080		C-CAP,S 0.1-25 Z F C2012	S0434	87-A91-024-180		SW,TACT KSHG611BT
C0315	87-010-196-080		C-CAP,S 0.1-25 Z F C2012	S0435	87-A91-024-180		SW,TACT KSHG611BT
C0316	87-010-196-080		C-CAP,S 0.1-25 Z F C2012	S0436	87-A91-024-180		SW,TACT KSHG611BT
C0321	87-012-393-080		C-CAP,S 0.22-16 K W5R CM/CB	S0437	87-A91-024-180		SW,TACT KSHG611BT
C0322	87-010-400-040		CAP,E 0.47-50 M 11L SME	SW0252	87-A91-555-010		SW,RTRY EC12E24504
				SW0253	87-A91-542-010		SW,RTRY EC12E12504

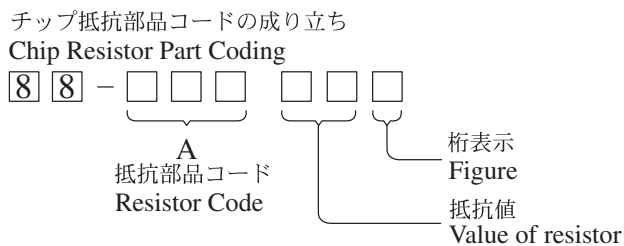
REF. NO	PART NO.	KANRI NO.	DESCRIPTION
DECK C.B			
CON105	87-099-753-010		CONN,11P 9604 S F
SFR1	87-024-581-010		SFR,3.3K DIA 6H
SOL1	82-ZM1-618-410		SOL ASSY,27
SOL2	82-ZM1-618-410		SOL ASSY,27
SW1	87-A90-248-010		SW,MICRO ESE11SH2CXQ
SW2	87-A90-248-010		SW,MICRO ESE11SH2CXQ
SW3	87-A90-248-010		SW,MICRO ESE11SH2CXQ
SW4	87-036-110-010		SW,MICRO SPPB62
SW5	87-036-110-010		SW,MICRO SPPB62
W1	82-ZM3-601-010		RBN,CORD,4P-75

HEAD-1 C.B			
	85-ZM3-602-010		PWB,FLEX A
CON301	87-NF6-615-010		CONN ASSY,3P PB

PT C.B			
C0001	87-010-387-080		CAP,E 470-25 M SME
C0002	87-A11-148-080		CAP,TC U 0.1-50 Z F
C0031	87-010-403-040		CAP,E 3.3-50 M 11L SME
CN0001	87-A61-122-010		CONN,11P V TID-A
△PT0001	8A-NFJ-608-010		PT,ANF-8 EZ(2)
△PT0002	8A-NF8-662-010		PT,SUB ANF-8 (E)
△RY0002	87-A91-418-010		RELAY,AC12V G5PA-1-M
△T0001	87-A60-317-010		TERMINAL, 1P MSC
△T0002	87-A60-317-010		TERMINAL, 1P MSC

TYPE	MODEL NAME	SUFFIX
A	NOT USED	—
B	CX-NDR6	EZ
C	CX-NBL44	EZ
D	CX-NBL46	EZ
E	CX-NBL44	G
F	CX-NBL44	K

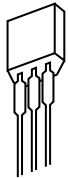
○チップ抵抗部品コード/CHIP RESISTOR PART CODE



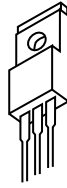
チップ抵抗
Chip resistor

容量 Wattage	種類 Type	許容誤差 Tolerance	記号 Symbol	寸法/Dimensions (mm)			抵抗コード : A Resistor Code : A	
				外形/Form	L	W		t
1/16W	1005	± 5%	CJ		1.0	0.5	0.35	104
1/16W	1608	± 5%	CJ		1.6	0.8	0.45	108
1/10W	2125	± 5%	CJ		2	1.25	0.45	118
1/8W	3216	± 5%	CJ		3.2	1.6	0.55	128

TRANSISTOR ILLUSTRATION



ECB
DTC114ES
KTC3199



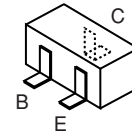
BCE
2SB1370



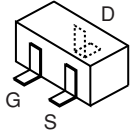
SDG
2SJ460
2SK2541



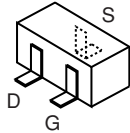
ECB
2SA1981
2SC3331
2SC5343
CD1585
CSA952
CSC4115
KTA1266
KTC3198



2SA1235
2SC2714
2SC3052
CMBT5401
CMBT5551
CSD1306
KRA102S
KRA107S
KRC102S
RT1N441C
RT1P141C



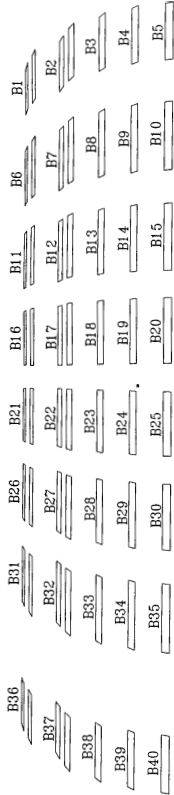
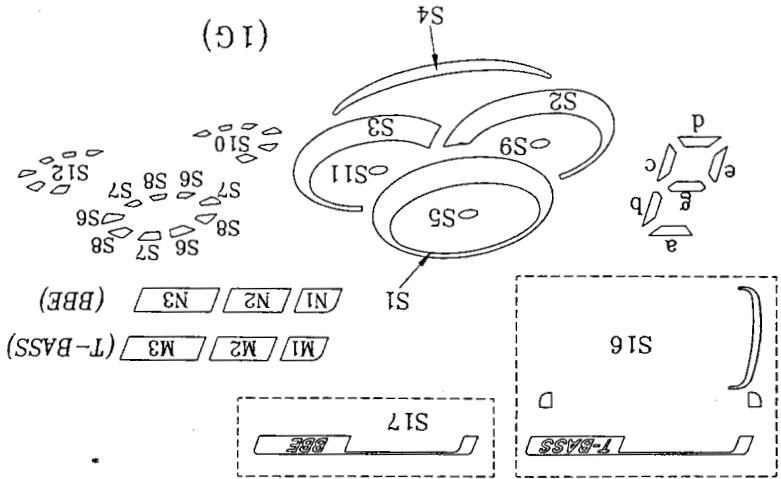
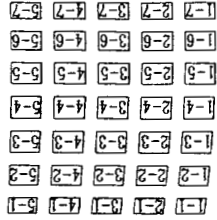
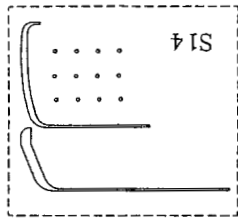
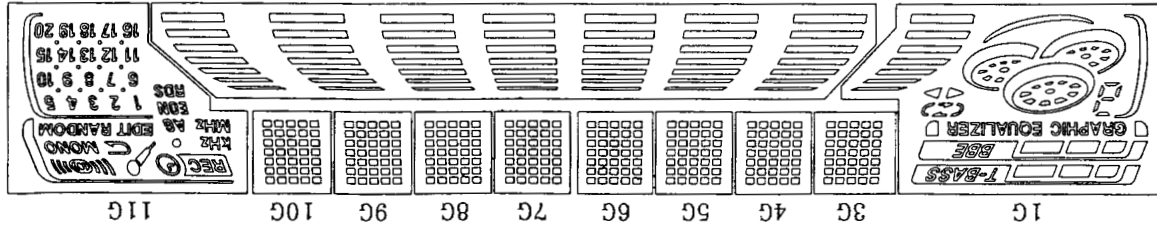
2SK2158



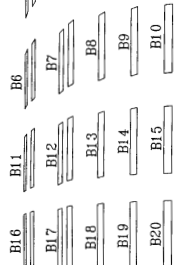
2SK360

FL (HNA-11MM30) GRID ASSIGNMENT/ANODE CONNECTION

GRID ASSIGNMENT



(1G)

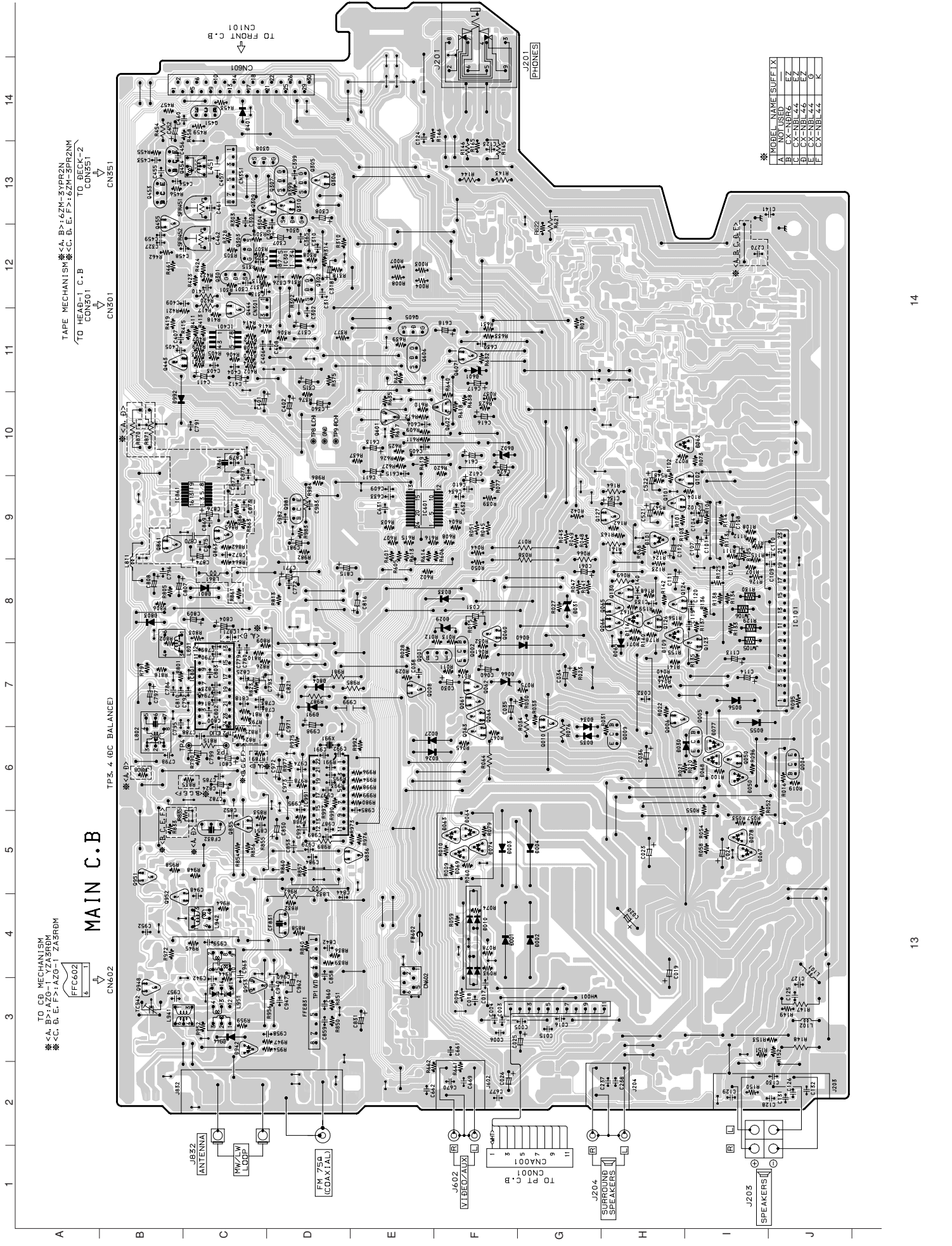


(2G)

ANODE CONNECTION

	1G	2G	3G-10G	11G
P1	S17	B35	1-1	G
P2	N1	B30	2-1	MONO
P3	N2	B25	3-1	RANDOM
P4	N3	B20	4-1	WGM
P5	GRAPHIC EQUALIZER	B15	5-1	EDIT
P6	C	B10	1-2	REC
P7	F	B5	2-2	kHz
P8	M	B34	3-2	MHz
P9	V	B29	4-2	o
P10	Δ	B24	5-2	AG
P11	S4	B19	1-3	EON
P12	S2	B14	2-3	RDS
P13	S10	B9	3-3	S14
P14	S9	B4	4-3	20
P15	S3	B33	5-3	19
P16	S12	B28	1-4	18
P17	S11	B23	2-4	17
P18	S1	B18	3-4	

	1G	2G	3G-10G	11G
P19	S6	B13	4-4	16
P20	S7	B8	5-4	15
P21	S8	B3	1-5	14
P22	S5	B32	2-5	13
P23	S16	B27	3-5	12
P24	M1	B22	4-5	11
P25	M2	B17	5-5	10
P26	M3	B12	1-6	9
P27	e	B7	2-6	8
P28	a,g,d	B2	3-6	7
P29	b	B31	4-6	6
P30	c	B26	5-6	5
P31	B40	B21	1-7	4
P32	B39	B16	2-7	3
P33	B38	B11	3-7	2
P34	B37	B6	4-7	1
P35	B36	B1	5-7	



TO CD MECHANISM
 * <A, B>: AZD-1, XZA35RDM
 * <C, E, F>: AZD-1, ZASRDM
 FFC602
 CN602

MAIN C.B

TPS. 4 (DC BALANCE)

TO HEAR-1 C.B
 * <A, B>: 1.62M-5YPR2N
 * <C, E, F>: 1.62M-5PR2NM
 TO BECK-2
 CN501
 CN551

TO FRONT C.B
 CN601

J602
 WIRE/COAXIAL
 CN401
 CN001
 TO PT C.B

J204
 SUPROUN
 SPEAKERS

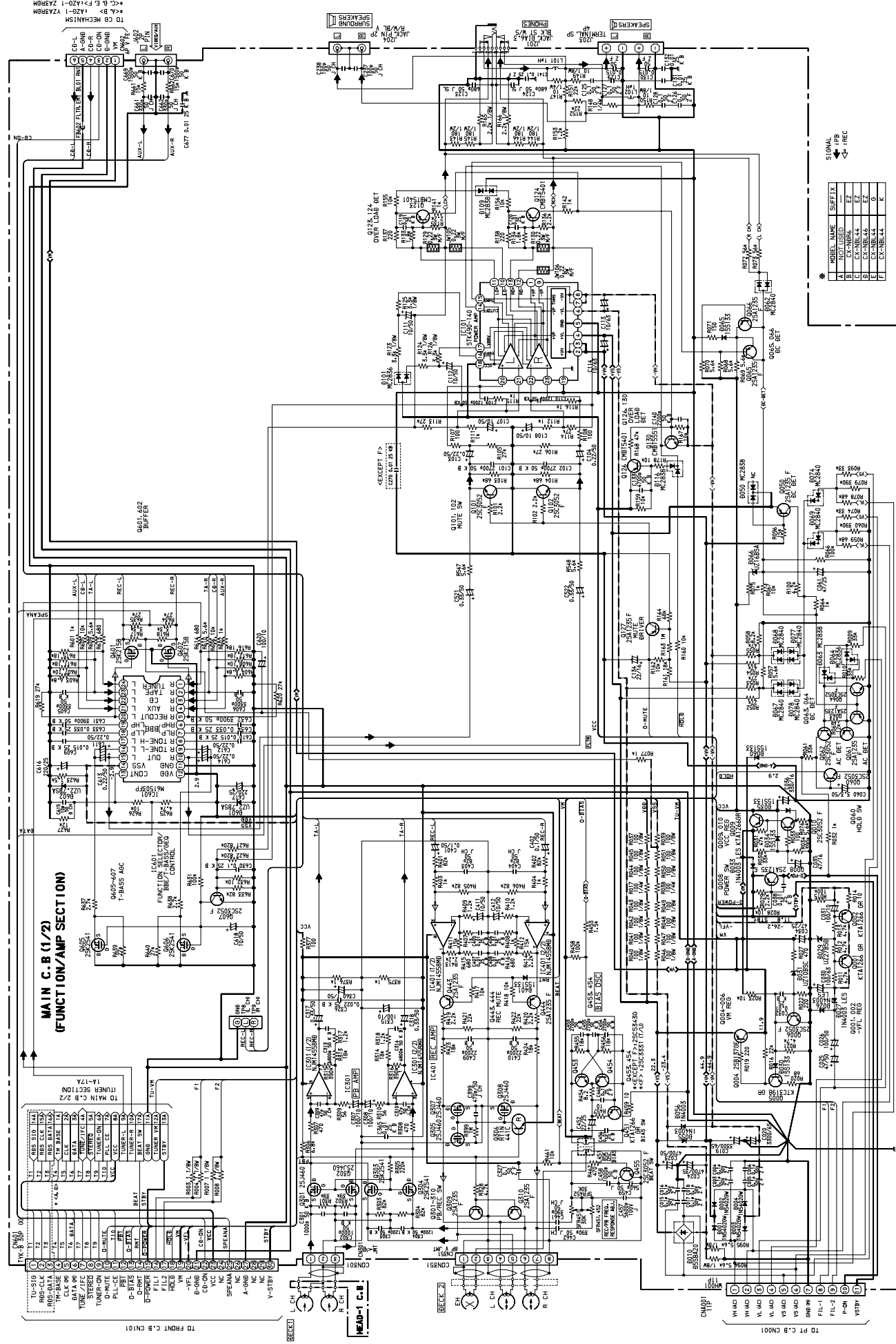
J205
 SPEAKERS

J201
 PHONES

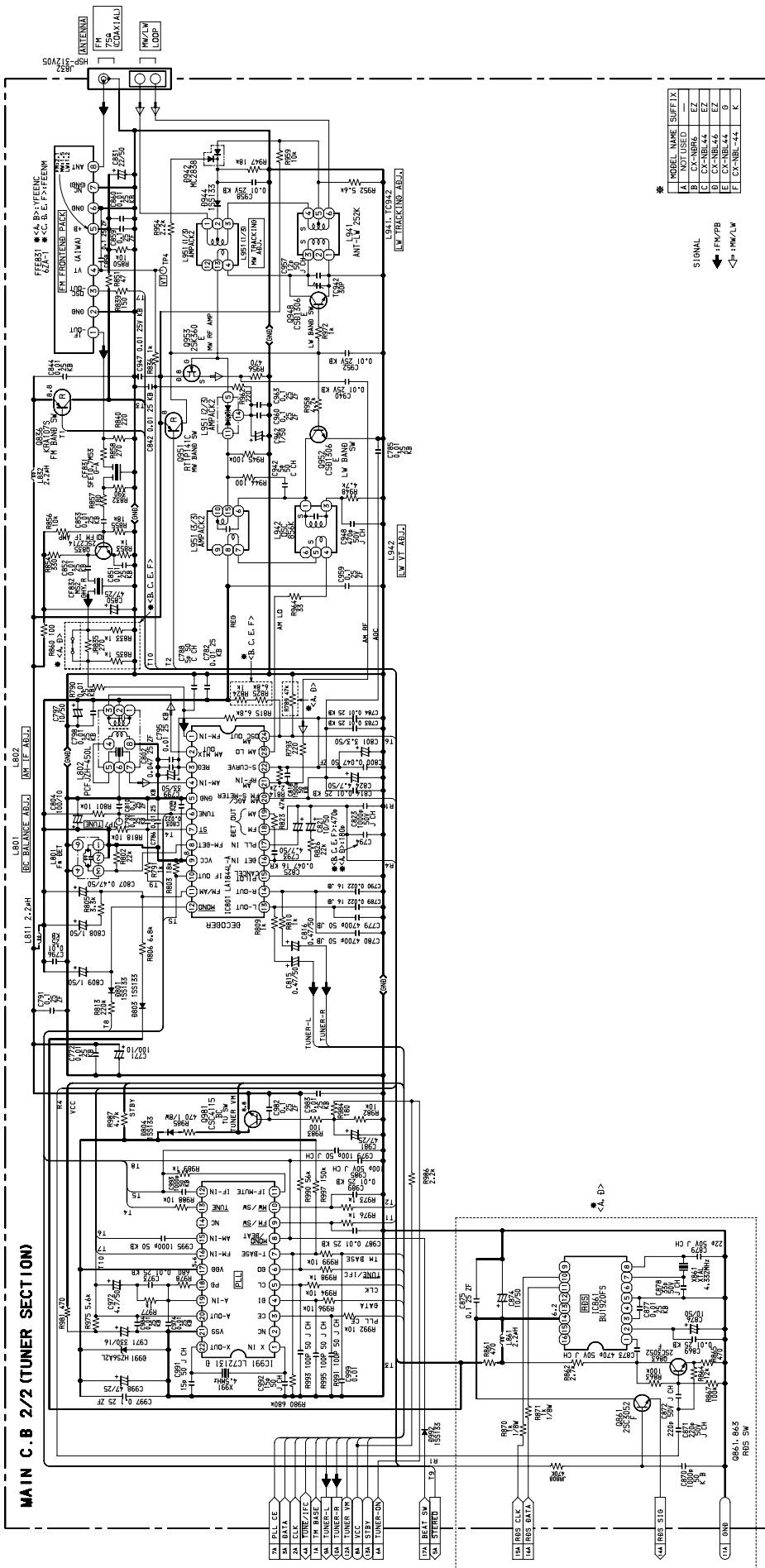
* MODEL NAME SUFFIX

A	NOT USED
B	CX-NBL-6
C	CX-NBL-4
D	CX-NBL-44
E	CX-NBL-44
F	CX-NBL-44
G	CX-NBL-44
H	CX-NBL-44
I	CX-NBL-44
J	CX-NBL-44
K	CX-NBL-44

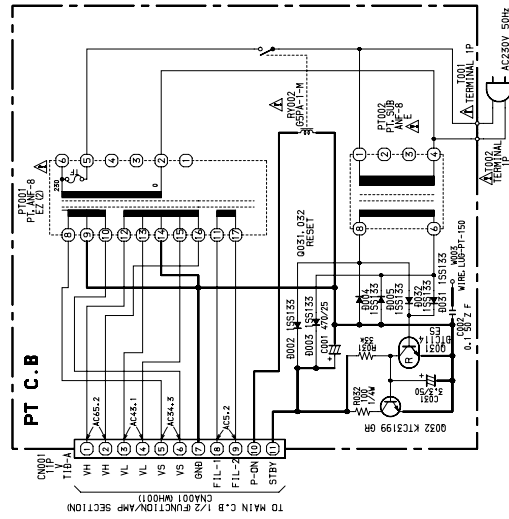
SCHEMATIC DIAGRAM-1 (FUNCTION/AMP SECTION)



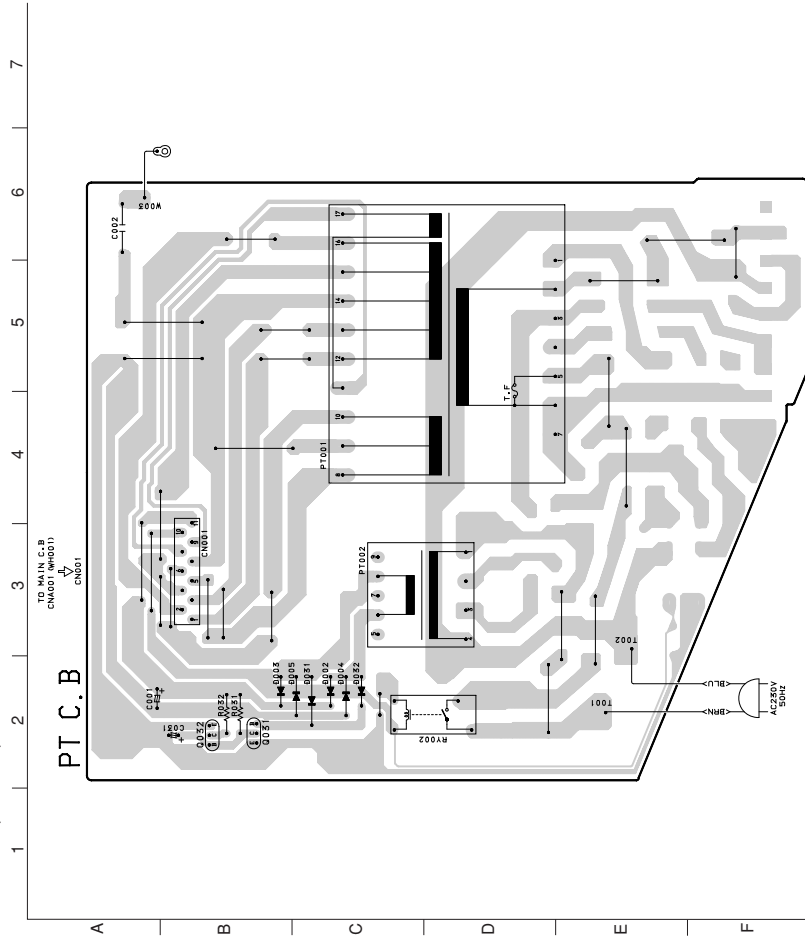
SCHEMATIC DIAGRAM-2 (TUNER SECTION)



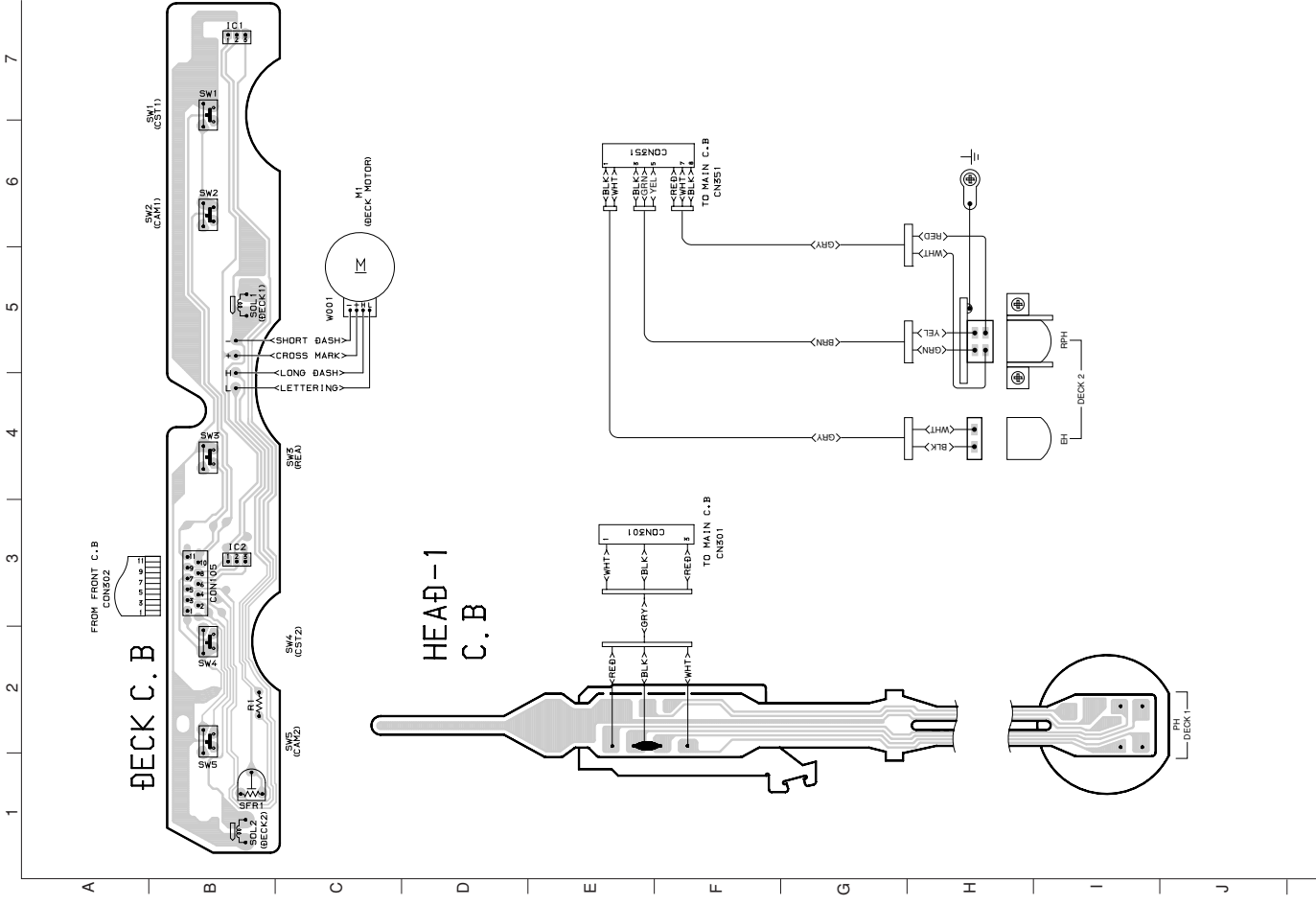
SCHEMATIC DIAGRAM-3 (PT SECTION)



WIRING-2 (PT C.B.)

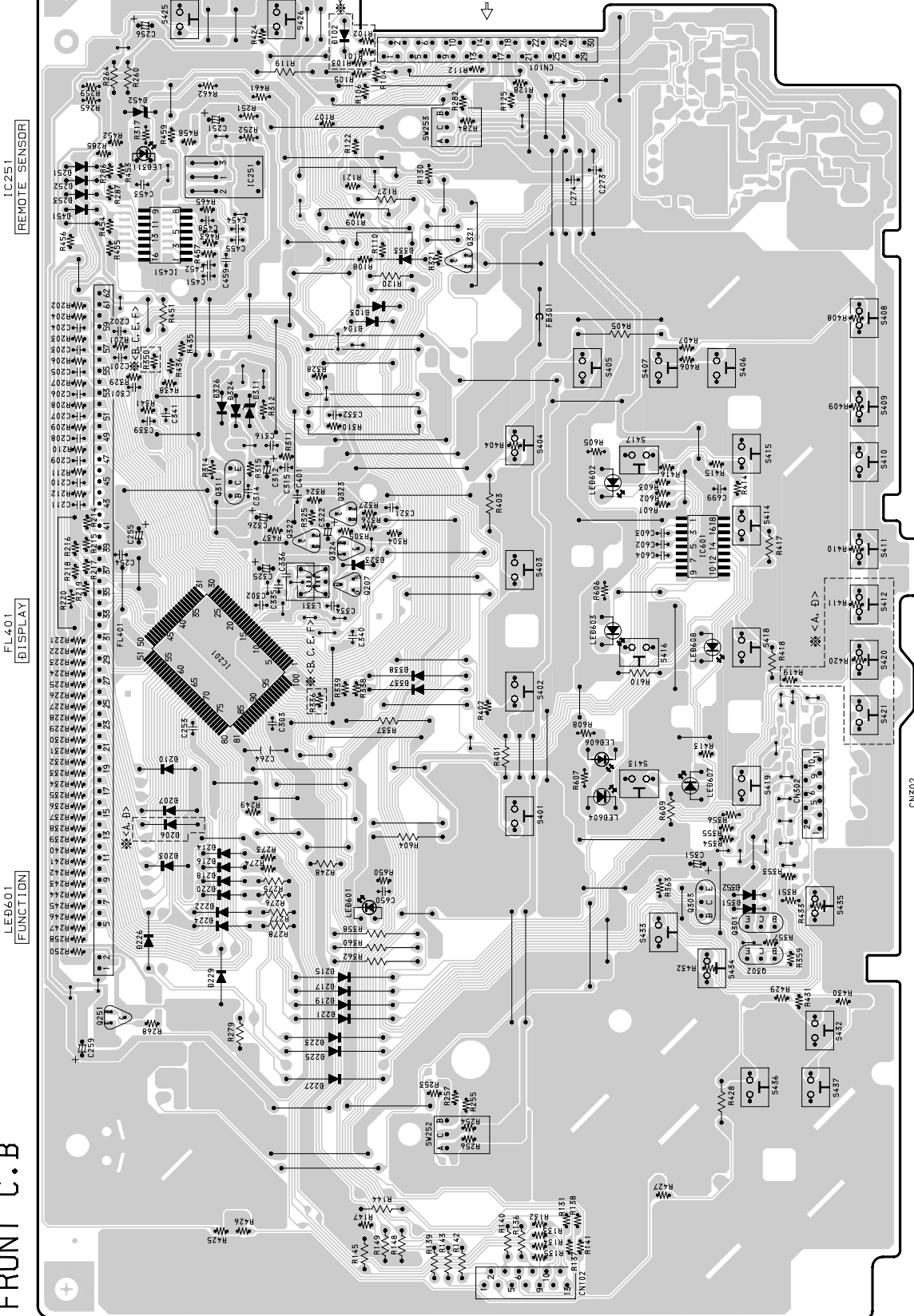


WIRING-3 (DECK C.B.)



FRONT C.B

A B C D E F G H I J 1 2 3 4 5 6 7 8 9 10 11 12 13 14



IC251
REMOTE SENSOR

FL401
DISPLAY

LED601
FUNCTION

SW252
VOLUME

SW255
MULT. JOG

SW253
MULT. JOG

※A, B, F, T, AZG-1 YZARRM
※C, P, E, F, AZG-1 ZARRDM

※	MODEL NAME/SUFFIX
A	NOT USED
B	CX-NBR6 E2
C	CX-NBL44 E7
D	CX-NBL46 E7
E	CX-NBL44 G
F	CX-NBL44 K

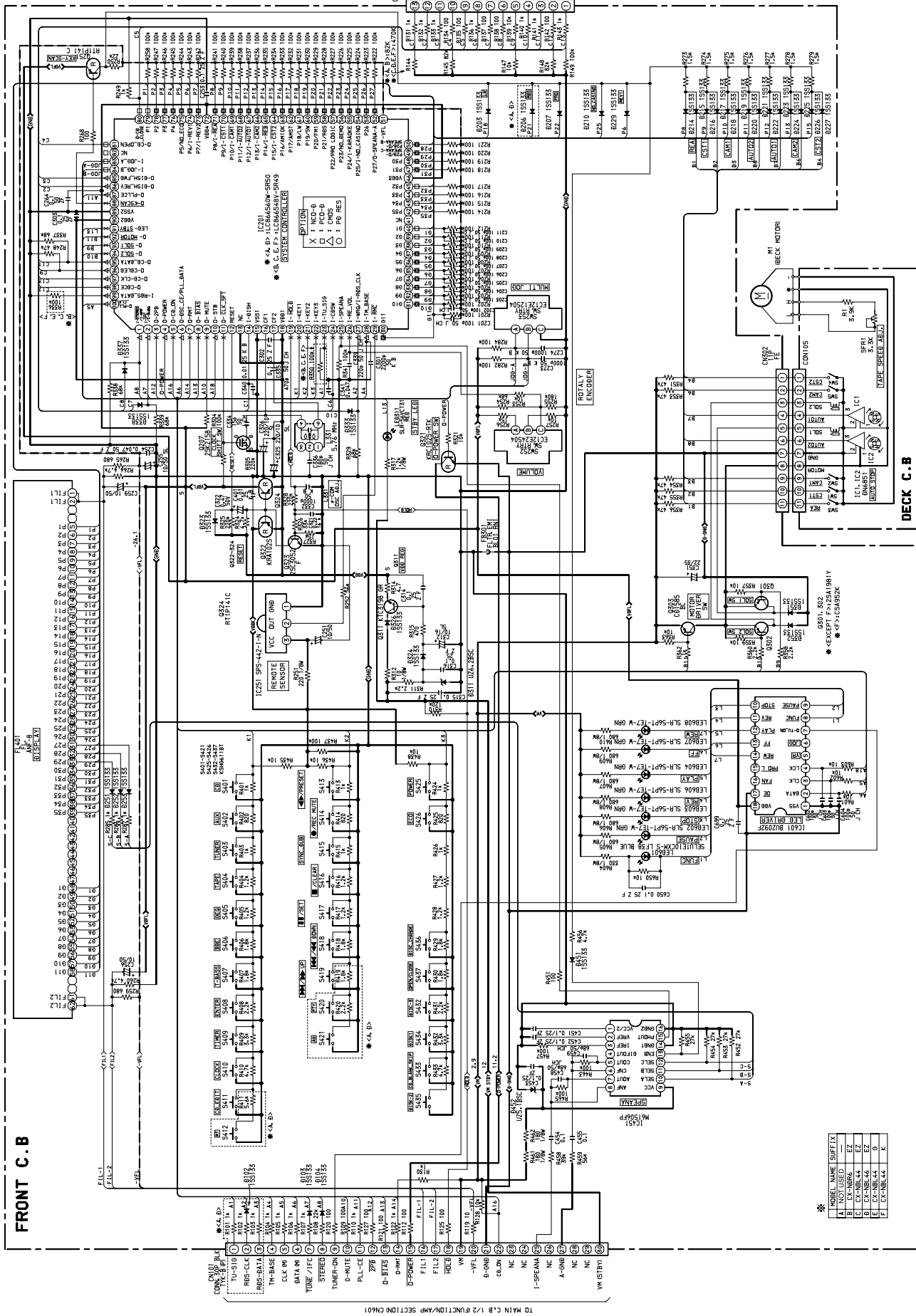
S436 DISC CHANGE
S437 OPEN/CLOSE
S438 DISC DIRECT PLAY
S439 CD BLANK SKIP
S440 S441 S442 S443 S435

FFC105
TO BECK C.B
CN105
※<A, B>:GM-3 YPRZM
※<C, B, E, F>:GM-3 PRZM

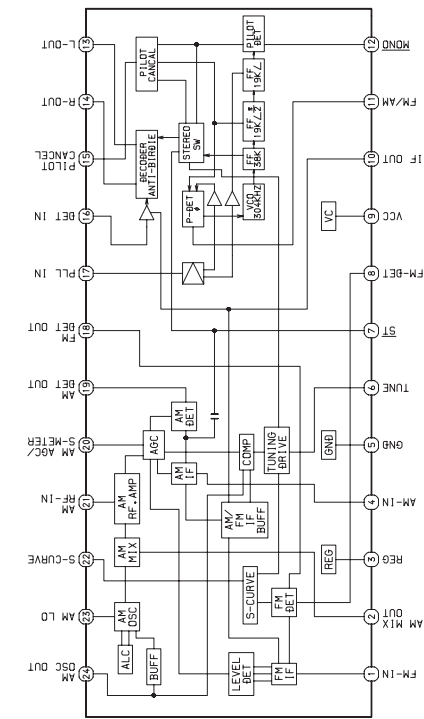
S401 S402 S403 S404
VIDEO/AUX TUNER BAND TAPE RECKT/7
LEB04, L06, S412 LEB03, S416 LEB02 S417
DIR BRCKT/PHRES GLBLER
LEB07, S419 LED608, S418 S414
STOP/PAUSE DOWN
S405 S406 S407 S408 S409 S410 S411 S412 S413 S414 S415 S416 S417 S418 S419 S420 S421 S422 S423 S424 S425 S426 S427 S428 S429 S430 S431 S432 S433 S434 S435 S436 S437 S438 S439 S440 S441 S442 S443 S444 S445 S446 S447 S448 S449 S450 S451 S452 S453 S454 S455 S456 S457 S458 S459 S460 S461 S462 S463 S464 S465 S466 S467 S468 S469 S470 S471 S472 S473 S474 S475 S476 S477 S478 S479 S480 S481 S482 S483 S484 S485 S486 S487 S488 S489 S490 S491 S492 S493 S494 S495 S496 S497 S498 S499 S500

※<A, D>

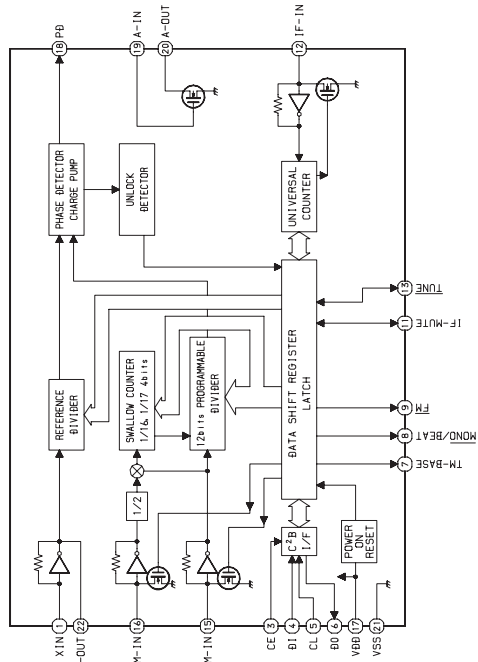
SCHEMATIC DIAGRAM-4 (FRONT SECTION)



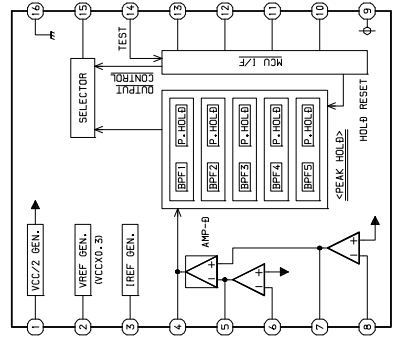
IC BLOCK DIAGRAM
IC: LA1844



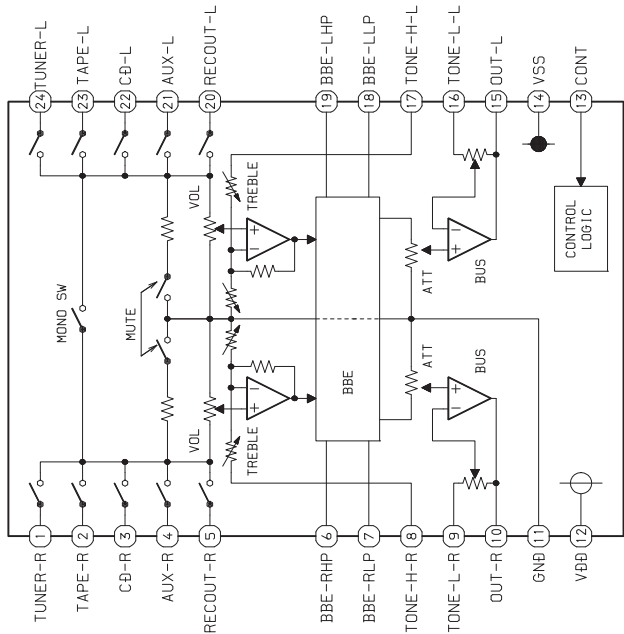
IC: LC72131D



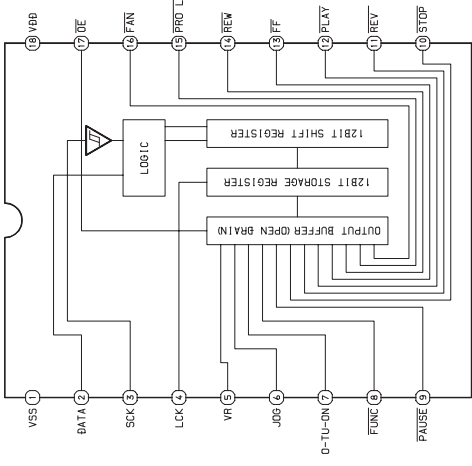
IC: M61506FP



IC: M61503FP



IC: BU2092F



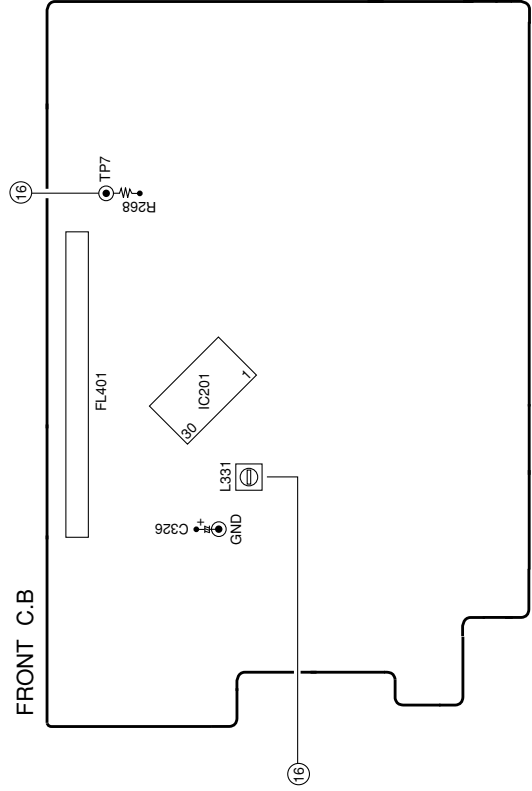
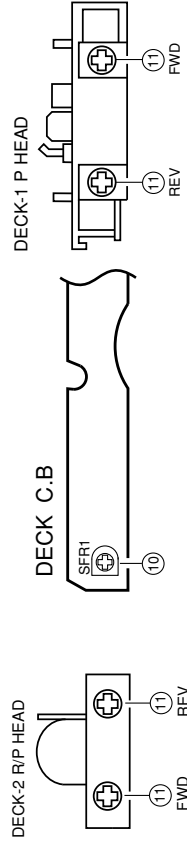
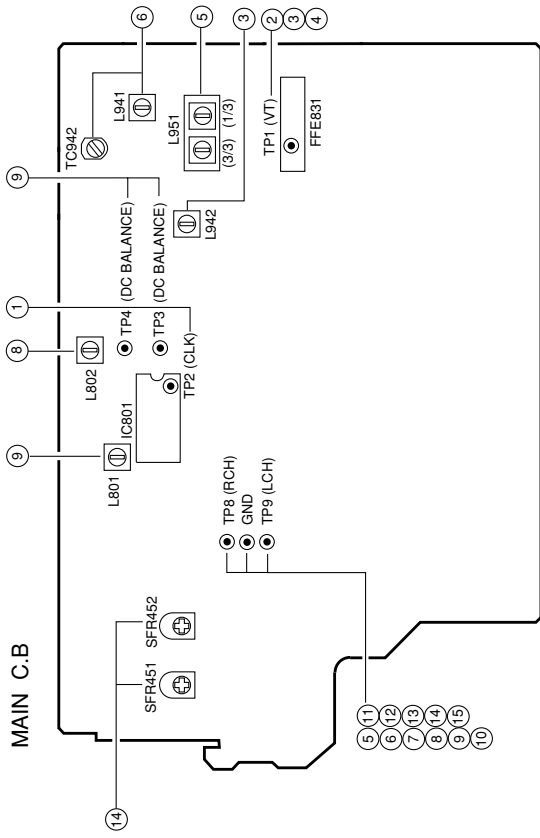
IC DESCRIPTION

IC, LC866560W-5R50 <46EZ>, LC866548V-5R49 <Except 46EZ>

Pin No.	Pin Name	I/O	Description
1	I-STEREO/I-DRF	I	Stereo detected input/CD DRF input
2	I-IFC/I-SUBQ	I	Tune IF count serial data input/CD SUBQ input
3	O-2PB	O	Deck 2 playback switch output
4	O-POWER	O	System power supply ON/OFF output
5	O-CD-ON	O	CD power ON/OFF output
6	O-PLL_DATA	O	LED driver, Tuner IC, Function IC data output
7	O-RMT	O	Deck 2 REC MUTE output
8	O-BIAS	O	Deck 2 bias ON/OFF output
9	O-MUTE	O	System mute ON/OFF output
10	O-STB	O	Latch strobe output for LED driver IC
11	O-CLK_SFT	O	Micon clock shift output
12	RESET	I	System reset
13	NC	-	Not connected
14	I-DISH	I	CD turntable photo sensor A/D converter input
15	VSS1	-	GND
16	CF1	-	5.76 MHz oscillator circuit
17	CF2	-	5.76 MHz oscillator circuit
18	VDD1	-	Power supply input
19	I-HOLD	I	Power failure detected input
20	I-KEY1	I	KEY input (A/D)
21	I-KEY2	I	KEY input (A/D)
22	I-KEY3	I	KEY input (A/D)
23	I-TU_SIG	I	Tuner signal input
24	I-CDSW	I	CD mechanical switch A/D converter input
25	I-SPEANA	I	A/D input for spectrum analyzer display
26	I-RE_VOL	I	Rotary encoder input (VOL)
27	I-WRQ/I-RDS_CLK	I	CD WRQ input/Tuner RDS clock input
28	I-TM_BASE	I	Reference clock input for timer watch
29	I-RMC	I	System remotecontrol signal input
30 ~ 40	G11 ~ G1	O	FL GRID output G11 ~ G1
41	NC	-	Not connected
42 ~ 45	P35 ~ P32	O	FL SEGMENT output P35 ~ P32
46	VDD3	-	Power supply input
47 ~ 48	P31 ~ P30	O	FL SEGMENT output P31 ~ P30
49	P29/O-SPEANA-C	O	FL SEGMENT output P29/Spectrum analyzer band switching output
50	P28/O-SPEANA-B	O	FL SEGMENT output P28/Spectrum analyzer band switching output
51	VFL	-	Power supply input for FL display
52	P27/O-SPEANA-A	O	FL SEGMENT output P27/Spectrum analyzer band switch output
53	P26	O	FL SEGMENT output P26
54	P25/I-NO_CASINO	I/O	FL SEGMENT output P25/NO CASINO DEMO input to diode
55	P24/I-KARAOKE	I/O	FL SEGMENT output P24/KARAOKE input to diode
56	P23/NO_DEMO	I/O	FL SEGMENT output P23/NO DEMO input to diode

Pin No.	Pin Name	I/O	Description
57	P22/PRO LOGIC	I/O	FL SEGMENT output P22/PROLOGIC input to diode (not used)
58	P21/RDS	I/O	FL SEGMENT output P21/RDS input to diode
59	P20/FM1	I/O	FL SEGMENT output P20/FM1 input to diode
60	P19/SW	I/O	FL SEGMENT output P19/SW input to diode
61	P18/LW	I/O	FL SEGMENT output P18/LW input to diode
62	P17/AMST	I/O	FL SEGMENT output P17/AMST input to diode
63	P16/AM10K	I/O	FL SEGMENT output P16/AM10K input to diode
64	P15/I- $\overline{\text{CST2}}$	I/O	FL SEGMENT output P15/DECK2 cassette detect switch data input
65	P14/I- $\overline{\text{REB}}$	I/O	FL SEGMENT output P14/DECK2 side-B record OK switch data input
66	P13/I- $\overline{\text{CAM2}}$	I/O	FL SEGMENT output P13/DECK2 CAM switch signal input
67	P12/I- $\overline{\text{AUTO1}}$	I/O	FL SEGMENT output P12/DECK1 AUTO STOP signal input
68	P11/I- $\overline{\text{AUTO2}}$	I/O	FL SEGMENT output P11/DECK2 AUTO STOP signal input
69	P10/I- $\overline{\text{CAM1}}$	I/O	FL SEGMENT output P10/DECK1 CAM switch data input
70	P9/I- $\overline{\text{CST1}}$	I/O	FL SEGMENT output P9/DECK1 cassette detect switch data input
71	P8/I- $\overline{\text{REA}}$	I/O	FL SEGMENT output P8/DECK2 side A record OK switch data input
72	VDD4	-	Power supply input
73	P7/I-REV2	I/O	FL SEGMENT output P7/DECK2 REVERSE mode input to diode
74	P6/I-REV1	I/O	FL SEGMENT output P6/DECK1 REVERSE mode input to diode
75	P5/NO_ECO	I/O	FL SEGMENT output P5/NO ECO MODE input to diode
76 ~ 79	P4 ~ P1	O	FL SEGMENT output P4 ~ P1
80	O-CD CLOSE	O	CD TRAY CLOSE data output
81	O-CD OPEN	O	CD TRAY OPEN data output
82	NC	-	Not connected
83	I-JOG_A	I	Rotary encoder A input (JOG)
84	I-JOG_B	I	Rotary encoder B input (JOG)
85	O-DISH_FWD	O	CD turntable forward rotation output
86	O-DISH_REV	O	CD turntable reverse rotation output
87	O-PLL_CE	O	PLL IC chip enable output
88	O- $\overline{\text{KSCAN}}$	O	Switch SCAN timing output
89	VSS2	-	GND
90	VDD2	-	Power supply input
91	LED-STBY	O	STAND BY LED (Echo mode) output
92	O- $\overline{\text{MOTOR}}$	O	DECK MOTOR $\overline{\text{ON}}$ /OFF output
93	O- $\overline{\text{SOL1}}$	O	DECK1 solenoid output
94	O- $\overline{\text{SOL2}}$	O	DECK2 solenoid output
95	O-CD-DATA	O	CD DATA output
96	O-CD-LED	O	CD LED output
97	O-CD CLK	O	CD clock output
98	O-CD CE	O	CD chip enable output
99	I-RDS_DATA	I	RDS data input
100	O-PLL_CLK	O	PLL IC CLOCK output

ADJUSTMENT



< DECK SECTION >

10. Tape Speed Adjustment (DECK 2)

- Settings : • Test tape : TTA-100
- Test point : TP8(Lch), TP9(Rch)
- Adjustment location : SFR1

Method : Play back the test tape and adjust SFR1 so that the frequency counter reads 3000Hz \pm 5Hz and \pm 45Hz (REV) with respect to forward speed.

11. Head Azimuth Adjustment (DECK 1, DECK 2)

- Settings : • Test tape : TTA-330
- Test point : TP8(Lch), TP9(Rch)
- Adjustment location : Head azimuth adjustment screw

Method : Play back (FWD) the 8kHz signal of the test tape and adjust screw so that the output becomes maximum. Next, perform on REV PLAY mode.

12. PB Frequency Response Check (DECK 1, DECK 2)

- Settings : • Test tape : TTA-300
- Test point : TP8(Lch), TP9(Rch)

Method : Play back the 3.15Hz and 8kHz signals of the test tape and check that the output ratio of the 8kHz signal with respect to that of the 3.15Hz signal is within 5dB.

13. PB Sensitivity Check (DECK 1, DECK 2)

- Settings : • Test tape : TTA-200
- Test point : TP8(Lch), TP9(Rch)

Method : Play back the test tape and check that the output level of the test point is 140mV \pm 3dB.

14. REC/PB Frequency Response Adjustment (DECK 2)

- Settings : • Test tape : TTA-602
- Test point : TP8(Lch), TP9(Rch)
- Input signal : 1kHz / 8kHz (LINE IN)
- Adjustment location : SFR451 (Lch) SFR452 (Rch)

Method : Apply a 1kHz signal and REC mode. Then adjust OSC attenuator so that the output level at the TP8, TP9 becomes -20VU. Record and play back the 1kHz and 8kHz signals and adjust SFRs so that the output of the 8kHz signals becomes 0dB \pm 0.5dB with respect to that of the 1kHz signal.

15. REC/PB Sensitivity Check (DECK 2)

- Settings : • Test tape : TTA-602
- Test point : TP8(Lch), TP9(Rch)
- Input signal : 1kHz (LINE IN)

Method : Apply a 1kHz signal and REC mode. Then adjust OSC attenuator so that the output level at TP8, TP9 becomes 0VU. Record and play back the 1kHz signals and check that the output is -24dB \pm 3.0dB.

< FRONT SECTION >

16. μ -CON OSC Adjustment

- Settings : • Test point : TP7 and GND
- Adjustment location : L331

Method : Insert AC plug while pressing POWER and TUNER function keys. Adjust L331 so that the frequency at the test point is 153.84Hz \pm 0.15Hz.

< TUNER SECTION >

1. Clock frequency Check

- Settings : • Test point : TP2
- Method : Set to AM 1602kHz and check that the test point is 2052kHz \pm 45Hz.

2. MW VT Check

- Settings : • Test point : TP1 (VT)
- Method : Set to MW 1602kHz, 53.1kHz and check that the test point is less than 8.0V (1602kHz) and more than 0.6V (53.1kHz).

3. LW VT Adjustment

- Settings : • Test point : TP1 (VT)
- Adjustment location : L942
- Method : Set to LW 144kHz and adjust L942 so that the test point is 1.3V \pm 0.05V. Then set to LW 290kHz and check that the test point is less than 8.0V.

4. FM VT Check

- Settings : • Test point : TP1 (VT)
- Method : Set to FM 87.5MHz, 108.0MHz and check that the test point is more than 0.5V (87.5MHz) and less than 8.0V (108.0MHz).

5. MW Tracking Adjustment

- Settings : • Test point : TP8(Lch), TP9(Rch)
- Adjustment location : L951 (1/3) 999kHz
- Method : Set to MW 999kHz and adjust L951 (1/3) so that the level at the test point becomes maximum.

6. LW Tracking Adjustment

- Settings : • Test point : TP8(Lch), TP9(Rch)
- Adjustment location : L941, TC942
- Method : Set up TC942 to center position. Set to LW 144kHz and adjust L941 so that the level at test point becomes maximum. Then set to LW 290kHz and adjust TC942 so that the level at test point becomes maximum.

7. FM Tracking Check

- Settings : • Test point : TP8(Lch), TP9(Rch)
- Method : Set to FM 98.0MHz and check that the test point is less than 13dB μ V.

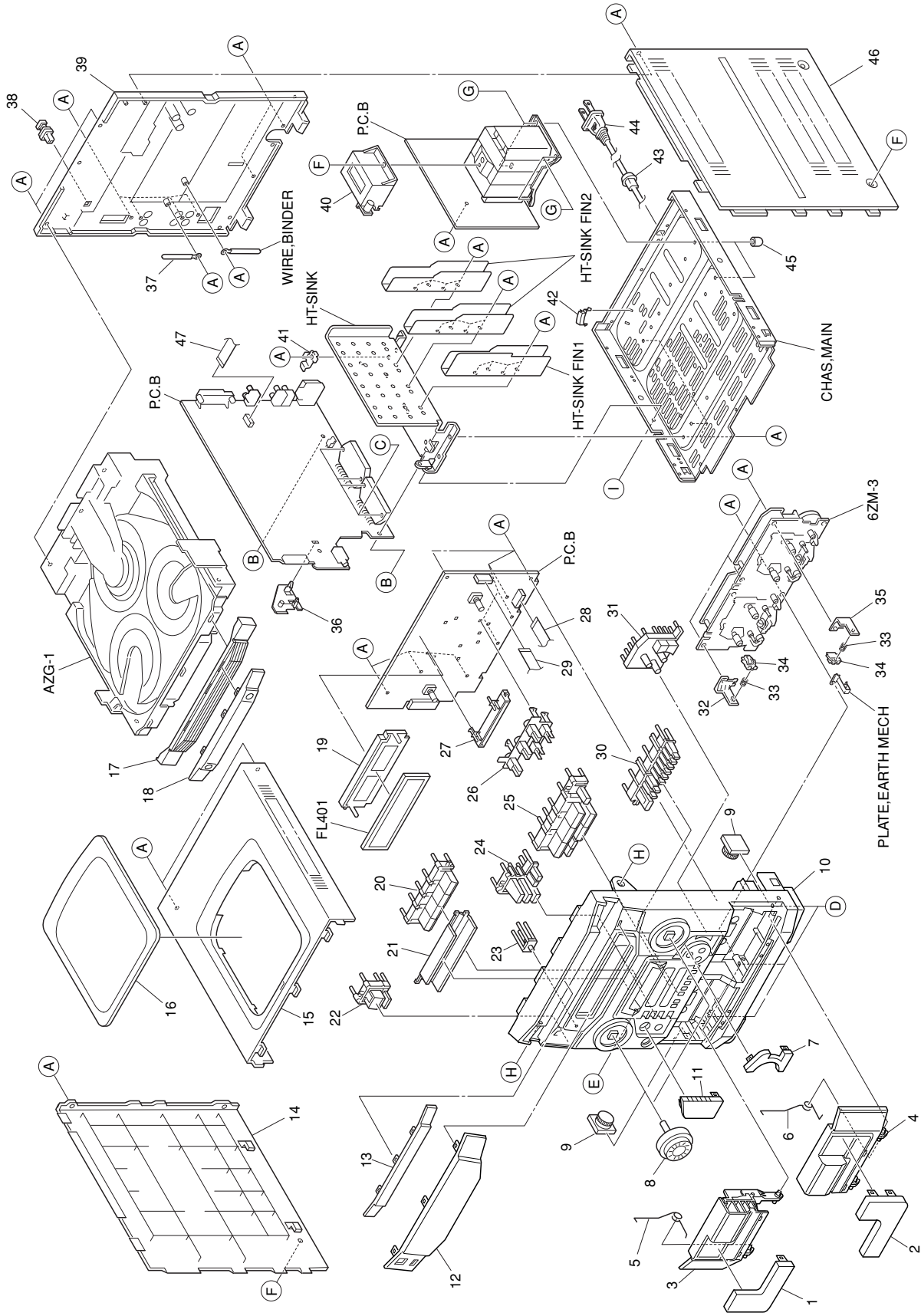
8. AM IF Adjustment

- Settings : • Test point : TP8(Lch), TP9(Rch)
- Adjustment location : L802 999kHz

9. DC Balance / Mono Distortion Adjustment

- Settings : • Test point : TP3, TP4 (DC Balance)
- Adjustment location : L801
- Input level : 60dB μ V

Method : Set to FM 98.0MHz and adjust L801 so that the voltage between TP3 and TP4 becomes 0V \pm 0.3V. Next, check that the distortion is less than 1.3%.



MECHANICAL MAIN PARTS LIST 1/1

DESCRIPTIONで判断できない物は "REFERENCE NAME LIST" を参照してください。
If can't understand for Description please kindly refer to "REFERENCE NAME LIST".

REF. NO	PART NO.	KANRI NO.	DESCRIPTION	REF. NO	PART NO.	KANRI NO.	DESCRIPTION
1	8A-NFJ-012-010		WINDOW, CASS 1	30	8A-NFJ-031-010		KEY, CD EDIT E<A, D>
2	8A-NFJ-013-010		WINDOW, CASS 2	30	8A-NFJ-025-010		KEY, CD EDIT U<B, C, E, F>
3	8A-NFJ-035-010		BOX, CASS 1H	31	8A-NFJ-027-010		KEY, DISC
4	8A-NFJ-003-010		BOX, CASS 2 U	32	87-NF4-216-010		HLD, LOCK 1
5	8A-NF8-207-010		SPR-T, EJECT 1	33	86-NF9-224-010		SPR-C, LOCK
6	8A-NF8-208-010		SPR-T, EJECT 2	34	82-NF5-229-010		PLATE, LOCK(*)
7	8A-NFJ-005-010		WINDOW, FR 2	35	87-NF4-217-110		HLD, LOCK 2
8	8A-NFJ-017-010		KNOB, RTRY JOG<F>	36	8A-NF8-206-010		HLD, PWB M
8	8A-NFJ-017-110		KNOB, RTRY JOG<C, D, E>	37	87-064-185-010		HLD, WIRE PVC 0.5
8	8A-NFJ-017-210		KNOB, RTRY JOG<A, B>	38	84-ZG1-245-210		CAP, OPTICAL
9	8A-NF8-209-010		OIL-DMPR, 120	39	8A-NFJ-056-010		CABI, REAR 44 EZSM<C>
10	8A-NFJ-070-010		CABI, FR E44<F>	39	8A-NFJ-076-010		CABI, REAR 44 G W/O SPEC<E>
10	8A-NFJ-070-110		CABI, FR E44<B, C, E>	39	8A-NFJ-058-010		CABI, REAR 44 KSM<F>
10	8A-NFJ-069-110		CABI, FR E46<A, D>	39	8A-NFJ-075-010		CABI, REAR 46 EZSE<A>
11	8A-NFJ-004-010		WINDOW, FR 1	39	8A-NFJ-057-010		CABI, REAR 46 EZSM R<D>
12	8A-NFJ-071-010		WINDOW, DISP DR6	39	8A-NFJ-074-010		CABI, REAR DR6 EZSE
12	8A-NFJ-047-010		WINDOW, DISP E44<C, E, F>	40	8A-DB8-209-010		HLD, PWB PT
12	8A-NFJ-048-010		WINDOW, DISP E46<A, D>	41	8A-NF8-205-010		HLD, IC
13	8A-NFJ-008-010		WINDOW, CD	42	87-NF4-221-010		HLD, CABLE
14	8A-NF8-007-010		PANEL, LEFT V-2	43	87-085-185-010		BUSHING, AC CORD(E) CM-22B
15	8A-NF8-005-010		PANEL, TOP	44	87-A80-157-010		AC CORD ASSY, E BLK CC<EXCEPT E>
16	8A-NF8-006-010		WINDOW, TOP	44	87-050-081-110		AC CORD ASSY, G<E>
17	8A-NFJ-009-010		PANEL, TRAY	45	8Z-NB8-240-010		COVER, PL
18	8A-NFJ-010-010		WINDOW, TRAY	46	8A-NF8-008-010		PANEL, RIGHT V-2
19	88-NF8-205-010		GUIDE, FL	47	88-906-251-110		FF-CABLE, 6P 1.25
20	8A-NFJ-018-010		KEY, FUN	A	87-067-703-010		BVT2+3-10 W/O SLOT
21	8A-NFJ-016-010		REFLECTOR, FUN	B	87-NF4-224-010		S-SCREW, IT3B+3-8 CU
22	8A-NFJ-014-010		KEY, POWER	C	87-067-581-010		BVT2+3-15 W/O SLOT
23	8A-NFJ-015-010		REFLECTOR, ECO	D	87-067-688-010		BVTT+3-6
24	8A-NFJ-019-010		KEY, GEQ	E	87-723-096-410		QT2+3-10 W/O SLOT BLK
25	8A-NFJ-029-010		KEY, ASSY OPE REV	F	87-067-641-010		UTT2+3-8 W/O SLOT BLK
26	8A-NF8-203-010		GUIDE, OPE REV	G	87-078-191-010		S-SCREW, IT+4-10 SWCH12A
27	8A-NF8-201-010		GUIDE, FUN	H	87-721-097-410		QT2+3-12 W/O SLOT
28	88-911-101-110		FF-CABLE, 11P 1.25	I	87-721-096-410		QT2+3-10 W/O SLOT
29	88-913-301-110		FF-CABLE, 13P-1.25				

TYPE	MODEL NAME	SUFFIX
A	NOT USED	—
B	CX-NDR6	EZ
C	CX-NBL44	EZ
D	CX-NBL46	EZ
E	CX-NBL44	G
F	CX-NBL44	K

COLOR NAME TABLE

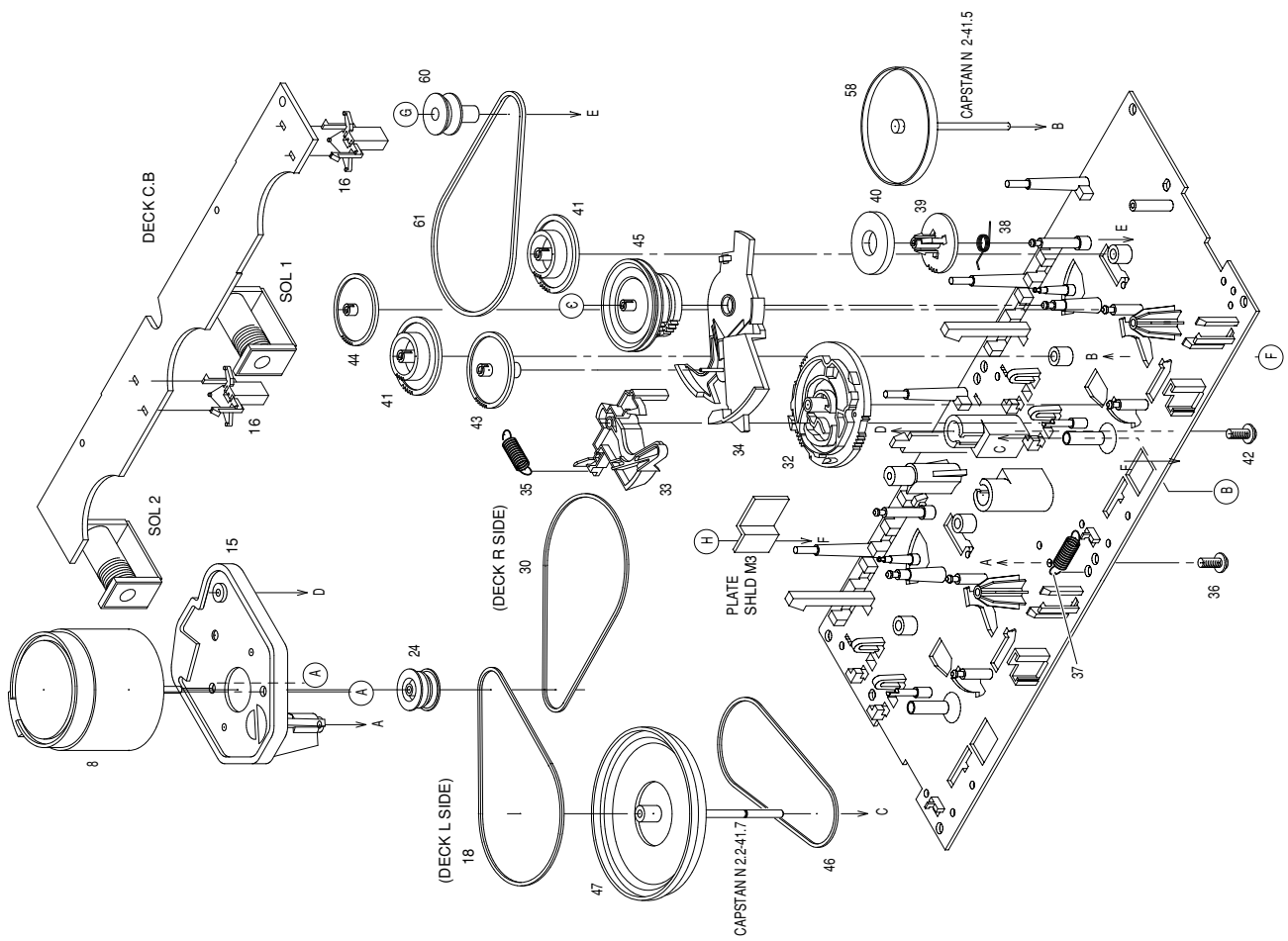
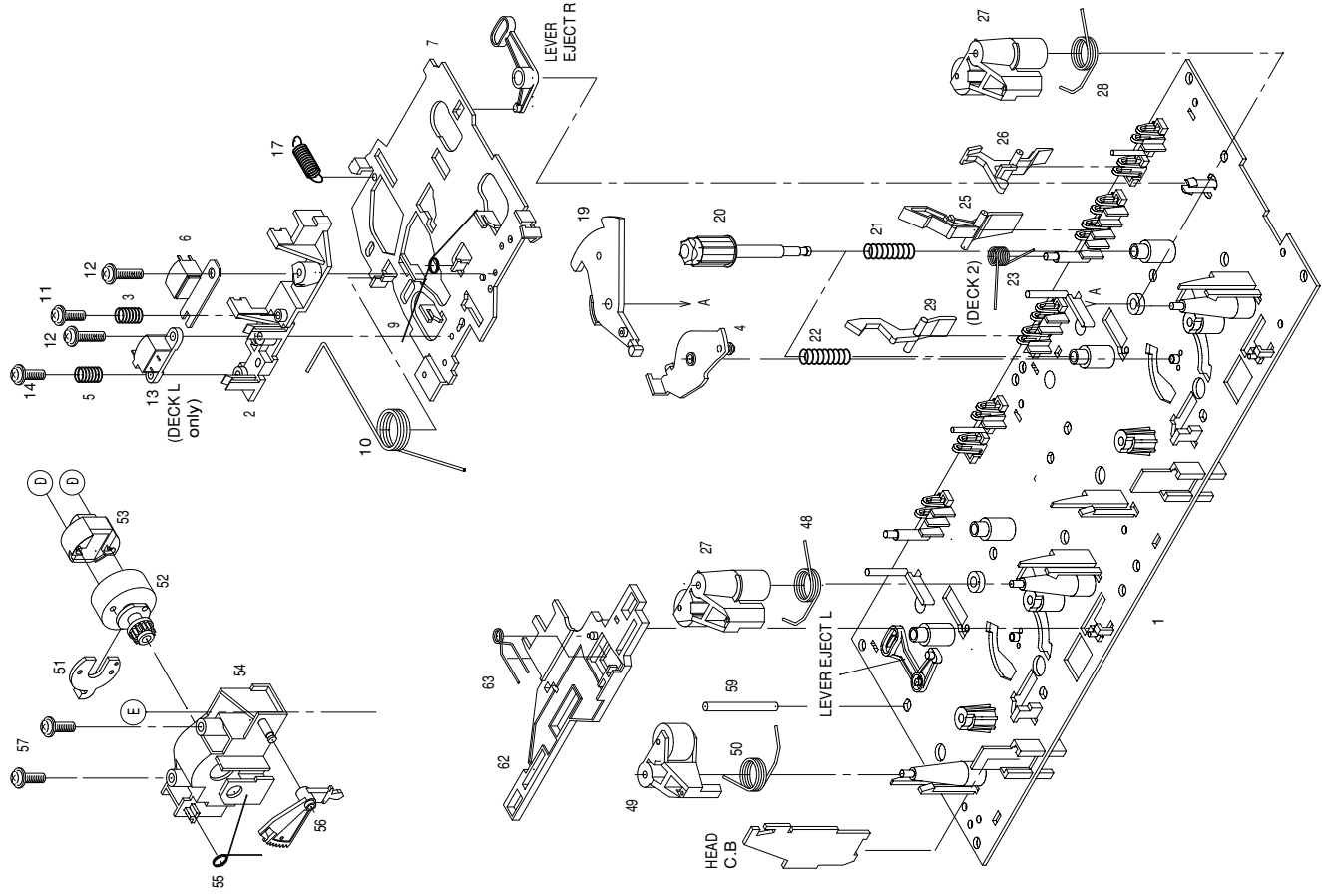
Basic color symbol	Color	Basic color symbol	Color	Basic color symbol	Color
B	Black	C	Cream	D	Orange
G	Green	H	Gray	L	Blue
LT	Transparent Blue	N	Gold	P	Pink
R	Red	S	Silver	ST	Titan Silver
T	Brown	V	Violet	W	White
WT	Transparent White	Y	Yellow	YT	Transparent Yellow
LM	Metallic Blue	LL	Light Blue	GT	Transparent Green
LD	Dark Blue	DT	Transparent Orange	GM	Metallic Green
YM	Metallic Yellow	DM	Metallic Orange	PT	Transparent Pink

MECHANISM MAIN PARTS LIST 1/1 <6ZM-3 PR2NM (44/46), 6ZM-3 YPR2N (DR6)>

DESCRIPTIONで判断できない物は "REFERENCE NAME LIST" を参照してください。
 If can't understand for Description please kindly refer to "REFERENCE NAME LIST".

REF. NO	PART NO.	KANRI NO.	DESCRIPTION	REF. NO	PART NO.	KANRI NO.	DESCRIPTION
1	86-ZM3-215-010	1E	CHAS ASSY,RS	41	82-ZM1-216-310	0E	GEAR,REEL
2	86-ZM3-202-010	0E	BASE,HEAD S	42	86-ZM3-213-010	0E	S-SCREW,HLDL,MOT 3
3	86-ZM3-205-010	0E	SPR-C,RPH S	43	82-ZM1-225-210	0E	GEAR,FR
4	82-ZM1-333-210	0E	PLATE,LINK 2	44	82-ZM1-226-010	0E	GEAR,REW
5	86-ZM3-206-010	0E	SPR-C,EH S	45	82-ZM3-333-310	1B	SLIP DISK ASSY 2
6	87-A90-403-010	1B	HEAD,RPH MS15R	46	82-ZM1-338-010	0E	BELT FR4
7	86-ZM3-201-010	1A	CHAS,HEAD S(DECK L)	47	82-ZM1-237-610	1A	FLY-WHL ASSY,RW
7	82-ZM3-206-210	1A	BELT,R	47	09-001-420-010	1A	FLY-WHL ASSY,R3W
8	87-045-347-010	1H	MOT,SHU2L 70(M1)	48	82-ZM1-259-210	0E	SPR-T,PINCH R
9	82-ZM1-269-210	0E	SPR-T,BRG	49	82-ZM1-341-110	1A	LVR ASSY,PINCH L2
10	82-ZM1-219-110	0E	SPR-T,LINK	50	82-ZM1-258-210	0E	SPR-T,PINCH L
11	86-ZM3-209-010	0E	S-SCREW,ASIMUTHS	51	82-ZM1-314-110	0E	PLATE,HEAD
12	86-ZM3-207-010	0E	S-SCREW,RPH	52	82-ZM1-208-310	0E	HLDL,HEAD
13	87-A90-404-010	0E	HEAD,EH LE15B	53	87-A90-366-010	1D	HEAD,PH YK50P-BF414
14	86-ZM3-208-010	0E	S-SCREW,EH	54	82-ZM1-207-810	0E	GUIDE TAPE
15	86-ZM3-203-010	1B	HLDL,MOTS	55	82-ZM1-213-010	0E	SPR-T,HEAD
16	82-ZM1-245-210	0E	HLDL,IC	56	82-ZM1-210-110	0E	GEAR,HT
17	82-ZM1-218-010	0E	SPR-E,HB	57	86-ZM4-206-010	0E	S-SCREW AZIMUTH L
18	86-ZM3-214-010	0E	BELT,SUB RR	58	82-ZM1-234-310	1A	FLY-WHL,L ASSY
19	82-ZM1-222-210	0E	LVR,PLAY	59	82-ZM3-339-010	0E	SHAFT,COUPLER N3
20	82-ZM1-217-410	0E	REEL TABLE	60	82-ZM3-335-210	0E	PULLEY,COUPLER M3
21	82-ZM1-244-510	0E	SPR-C,BT	61	86-ZM1-206-010	0E	BELT,MAIN L
22	82-ZM1-285-410	0E	SPR-C,BT L	62	82-ZM1-266-110	0E	LVR,DIR
23	82-ZM1-257-010	0E	SPR-T,CAS	63	82-ZM1-214-010	0E	SPR-T,DIR
24	82-ZM3-221-010	0E	PULLEY,MOT 2M	A	87-251-071-410	0E	U+2.6-4
25	82-ZM1-242-010	0E	LVR,CAS	B	80-ZM6-243-010	0E	SH,1.75-3.6-0.5 SLT
26	82-ZM1-243-010	0E	LVR,STOP	C	82-ZM3-334-010	0E	PW,2.16-6-0.4
27	82-ZM1-344-110	1A	LVR ASSY,PINCH	D	80-ZM6-207-010	0E	V+1.6-7
28	86-ZM3-204-010	0E	SPR-T,PINCHDS	E	85-ZM3-202-010	0E	S-SCREW TG
29	82-ZM1-240-110	0E	LVR,REC (DECK 2)	F	82-ZM1-288-010	0E	SH,1.63-3.2-0.5 SLT
30	86-ZM3-210-010	0E	BELT,RS	G	87-B10-043-010	0E	W-P,0.99-4-0.25 SLT
32	82-ZM3-305-110	0E	GEAR,CAM M2	H	87-571-032-410	0E	VIT+2-3
33	82-ZM1-227-310	0E	LVR,TRIG				
34	82-ZM3-306-110	0E	LVR,FR M2				
35	82-ZM1-265-110	0E	SPR-E,TRIG				
36	87-761-073-410	0E	VFT2+2.6-6 W/O SLOT				
37	82-ZM1-255-310	0E	SPR-E,LVR DIR				
38	82-ZM1-322-010	0E	SPR-T,FR60				
39	82-ZM1-220-210	0E	GEAR,IDLER				
40	82-ZM3-616-010	0E	RING MAGNET 4				

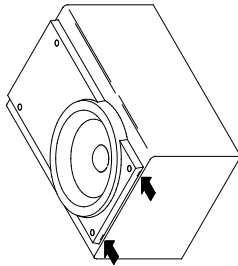
MECHANISM EXPLODED VIEW 1/1 <6ZM-3 PR2NM (44/46), 6ZM-3 YPR2N (DR6)>



SPEAKER DISASSEMBLY INSTRUCTIONS

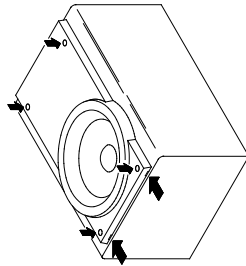
Type.1

Insert a flat-bladed screwdriver into the position indicated by the arrows and remove the panel. Remove the screws of each speaker unit and then remove the speaker units.



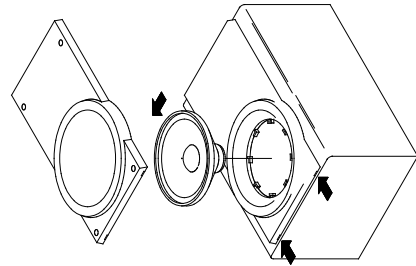
Type.2

Remove the grill frame and four pieces of rubber caps by pulling out with a flat-bladed screwdriver. Remove the screws from hole where installed rubber caps. Insert a flat-bladed screwdriver into the position indicated by the arrows and remove the panel. Remove the screws of each speaker unit and then remove the speaker units.



Type.3

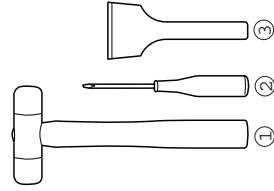
Insert a flat-bladed screwdriver into the position indicated by the arrows and remove the panel. Turn the speaker unit to counter-clockwise direction while inserting a flat-bladed screwdriver into one of the hollows around speaker unit, and then remove the speaker unit. After replacing the speaker unit, install it turning to clockwise direction until "click" sound comes out.



Type.4

TOOLS

- ① Plastic head hammer
- ② (C) flat head screwdriver
- ③ Cut chisel



How to Remove the PANEL, FR

1. Insert the (C) flat head screwdriver tip into the gap between the PANEL, FR and the PANEL, SPKR. Tap the head of the (C) flat head screwdriver with the plastic hammer head, and create the clearance as shown in Fig-1.
2. Insert the cut chisel in the clearance, and tap the head of the cut chisel with plastic hammer as shown in Fig-2, to remove the PANEL, FR.
3. Place the speaker horizontally. Tap head of the cut chisel with plastic hammer as shown in Fig-3, and remove the PANEL, FR completely.

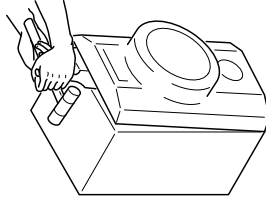
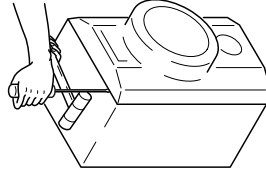


Fig-1

Fig-2

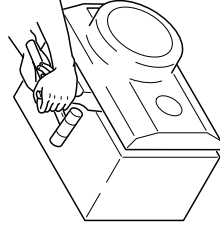


Fig-3

How to Attach the PANEL, FR

Attach the PANEL, FR to the PANEL, SPKR. Tap the four corners of the PANEL, FR with the plastic hammer to fit the PANEL, FR into the PANEL, SPKR completely.

SPEAKER (SX-NBL40) <44EZ, 44K, NDR6EZ> PARTS LIST

DESCRIPTIONで判断できない物は"REFERENCE NAME LIST"を参照してください。
If can't understand for Description please kindly refer to "REFERENCE NAME LIST".

REF. NO	PART NO.	KANRI NO.	DESCRIPTION	REF. NO	PART NO.	KANRI NO.	DESCRIPTION
1	8A-NSX-001-010	PANEL, FR		11	8A-NSX-602-010	SPKR, W 140	
2	8A-NSX-014-010	PANEL, BA L		12	8A-NSX-604-010	SPKR, TW 60	
3	8A-NSX-015-010	PANEL, BA R		13	87-NSH-612-010	SPKR, CERAMIC ASSY	
4	8A-NSX-016-010	PANEL, DUCT					
5	8A-NSX-003-010	GRILLIE, FRAME ASSY					
6	8A-NSX-010-010	PANEL, TW R					
7	8A-NSX-011-010	PANEL, TW L					
8	8A-NSX-012-010	PROTECTOR, TW R					
9	8A-NSX-013-010	PROTECTOR, TW L					
10	87-NS7-611-010	CORD, SPKR					

SPEAKER (SX-NBL42) <46EZ> PARTS LIST

DESCRIPTIONで判断できない物は"REFERENCE NAME LIST"を参照してください。
If can't understand for Description please kindly refer to "REFERENCE NAME LIST".

REF. NO	PART NO.	KANRI NO.	DESCRIPTION	REF. NO	PART NO.	KANRI NO.	DESCRIPTION
1	8A-NSX-001-010	PANEL, FR		12	8A-NSX-604-010	SPKR, TW 60	
2	8A-NSX-014-010	PANEL, BA L		13	87-NSH-612-010	SPKR, CERAMIC ASSY	
3	8A-NSX-015-010	PANEL, BA R					
4	8A-NSX-016-010	PANEL, DUCT					
6	8A-NSX-010-010	PANEL, TW R					
7	8A-NSX-011-010	PANEL, TW L					
8	8A-NSX-012-010	PROTECTOR, TW R					
9	8A-NSX-013-010	PROTECTOR, TW L					
10	87-NS7-611-010	CORD, SPKR					
11	8A-NSX-602-010	SPKR, W 140					

SPEAKER (SX-NSZ59) <44G> PARTS LIST

DESCRIPTIONで判断できない物は"REFERENCE NAME LIST"を参照してください。
If can't understand for Description please kindly refer to "REFERENCE NAME LIST".

REF. NO	PART NO.	KANRI NO.	DESCRIPTION	REF. NO	PART NO.	KANRI NO.	DESCRIPTION
1	8A-NSZ-001-010	PANEL, FR R					
2	8A-NSZ-002-010	PANEL, FR L					
3	8A-NSZ-008-010	PROTECTOR, TWA					
4	8A-NSZ-024-010	GRILLIE, FRAME ASSY L					
5	8A-NSZ-004-010	GRILLIE, FRAME					
6	8A-NSZ-006-010	BADGE, ALVA S35					
7	87-NS7-611-010	CORD, SPKR					
8	88-NS1-608-010	SPKR, CERAMIC					
9	8A-NSX-602-010	SPKR, W 140					
10	8A-NSX-604-010	SPKR, TW 60					



アイワ株式会社 〒110-8710 東京都台東区池之端1-2-11 ☎03(3827)3111 (代表)
AIWA CO.,LTD. 2-11, IKENOHATA 1-CHOME, TAITO-KU, TOKYO 110, JAPAN TEL:03 (3827) 3111