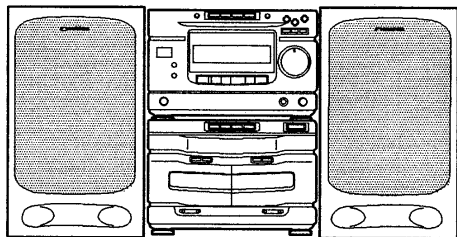


aiwa

NSX - D606

NSX - D603



COMPACT DISC STEREO SYSTEM

- BASIC TAPE MECHANISM : 2ZM - 3PR2N
- BASIC CD MECHANISM : KSM - 2101ABM
- TYPE, HE, LH, HR, E, EE, K, Z, U (D606)
U (D603)

SYSTEM	AMPLIFIER TUNER	CASSETTE DECK CD PLAYER	REMOTE CONTROLLER	SPEAKER
NSX - D606	RX - N606	FD - N606	RC - TN606	SX - N606
NSX - D603	RX - N603	FD - N606	RC - TN606	SX - N606

MANUAL
SERVICE

TABLE OF CONTENTS

SPECIFICATIONS	3
MODEL - NO. RX - N 6 0 6 / N 6 0 3	
ELECTRICAL MAIN PARTS LIST	4~7
TRANSISTOR ILLUSTRATION	8
SCHEMATIC DIAGRAM - 1 (MAIN : HE, LH, HR, U, 603U)	9, 10
WIRING - 1 (MAIN : HE, LH, HR, U, 603U)	11, 12
SCHEMATIC DIAGRAM - 2 (MAIN : E, K)	13, 14
WIRING - 2 (MAIN : E, K)	15, 16
SCHEMATIC DIAGRAM - 3 (MAIN : Z)	17, 18
WIRING - 3 (MAIN : Z)	19, 20
SCHEMATIC DIAGRAM - 4 (FRONT : HE, HR, LH, E, K, Z)	21, 22
WIRING - 4 (FRONT : HE, HR, LH, E, K, Z)	23, 24
SCHEMATIC DIAGRAM - 5 (FRONT : U, 603U)	25, 26
WIRING - 5 (FRONT : U, 603U)	27, 28
WIRING - 6 (POWER)	29
FL GRID ASSIGNMENT / ANODE CONNECTION	30
IC DISCRPTION	31, 32
IC BLOCK DIAGRAM	32~34
ELECTRICAL ADJUSTMENT (TUNER)	35, 36
PRACTICAL SERVICE FIGURE (TUNER)	36
MECHANICAL EXPLODED VIEW 1 / 1	37
MECHANICAL PARTS LIST 1 / 1	38
MODEL - NO. FD - N 6 0 6	
PROTECTION OFF EYES FROM LASER BEAM DURING SERVICING	39
PRECAUTION TO REPLACE OPTICAL BLOCK	39
ELECTRICAL MAIN PARTS LIST	40~42
TRANSISTOR ILLUSTRATION	42
SCHEMATIC DIAGRAM - 1 (CD)	43, 44
WIRING - 1 (CD)	45, 46
SCHEMATIC DIAGRAM - 2 (DECK)	47, 48
WIRING - 2 (DECK)	49, 50
IC DISCRPTION	51, 52
IC BLOCK DIAGRAM	53
ELECTRICAL ADJUSTMENT (DECK)	54, 55
PRACTICAL SERVICE FIGURE (DECK)	55
ELECTRICAL ADJUSTMENT (CD)	56~58
MECHANICAL EXPLODED VIEW 1 / 2	59
MECHANICAL PARTS LIST 1 / 2	60
MECHANICAL EXPLODED VIEW 2 / 2	61
MECHANICAL PARTS LIST 2 / 2	62
TAPE MECHANISM EXPLODED VIEW 1 / 1	63, 64
TAPE MECHANISM PARTS LIST 1 / 1	65
CD MECHANISM EXPLODED VIEW . PARTS LIST 1 / 1	66
SPRING APPLICATION POSITION	67
MODEL - NO. SX - N 6 0 6	
DISASSEMBLY INSTRUCTIONS . SPEAKR LIST	68
ACCESSORIES / PACKAGE LIST	69
REFERENCE NAME LIST	70

SPECIFICATIONS

TUNER/AMPLIFIER RX-N606/RX-N603

<FM section>	
Frequency range	87.5 MHz to 108 MHz
Usable sensitivity (IHF)	Except Z: 1.3 μ V (75 ohms) 13.2 dBf Z: 1.9 μ V (75 ohms) 16.8 dBf
Alternate channel selectivity	50 dB (\pm 400 kHz)
Signal-to-noise ratio	STEREO: 70 dB (Except Z) 65 dB (Z) MONO: 76 dB (Except Z) 73 dB (Z)
Harmonic distortion	0.3 % (MONO), 1 kHz 0.5 % (STEREO, L-R), 1 kHz
Frequency response	30 Hz to 15 kHz (+0.5 dB, -3 dB)
Stereo separation	Except Z: 33 dB at 1 kHz Z: 30 dB at 1 kHz
Antenna	75 ohms (unbalanced)
<AM (MW) section>	
Frequency range	RX-N606 HE, HR, E, K, Z: AM 531 (530) kHz to 1602 (1710) kHz RX-N606 LH, U/RX-N603 U AM 530 (531) kHz to 1710 (1602) kHz
Usable sensitivity	350 μ V/m
Selectivity	22 dB (9 kHz)
Signal-to-noise ratio	53 dB (100 dB input)
Antenna	Loop antenna
<LW section > (E, K, Z models only)	
Frequency range	144 kHz to 290 kHz
Sensitivity	1400 μ V/m
Antenna	Loop antenna

<Timer section>	
Program timer	On-timer, capable of free setting
Sleep timer	Capable of setting in 10-minute increments, 240 minutes maximum

<Amplifier section>	
Power output	RX-N606 LH, HE, HR: 40 W + 40 W (6 ohms, T.H.D. 10% 1 kHz) RX-N606 E, Z: 30 W + 30 W (6 ohms, T.H.D. 1 % 1 kHz) RX-N606 K: 40 W + 40 W (6 ohms, T.H.D. 10 % 1 kHz) 30 W + 30 W (6 ohms, T.H.D. 1 % 1 kHz) RX-N606 U, RX-N603 U (FTC RULE) 30 watts per channel, Min. RMS at 6 ohms, from 65 Hz to 15 kHz, with no more than 1 % Total Harmonic Distortion
Harmonic distortion	0.05 % (15 W, 1 kHz, 6 ohms)
Input sensitivity	VIDEO/AUX: 150 mV (adjustable)

CASSETTE DECK/COMPACT DISC PLAYER FD-N606

<Cassette deck section>	
Track format	4 tracks, 2 channels
Frequency response	CrO ₂ tape: 50 - 16000 Hz Normal tape: 50 - 15000 Hz
Signal-to-noise ratio	60 dB (DOLBY NR ON, CrO ₂ tape peak level)

Tape speed	4.8 cm/sec. (17 ⁷ / ₈ ips)
Recording system	AC bias
Erase system	AC erase
Motor	DC servomotor \times 1
Heads	Playback head \times 1 (deck 1) Recording/playback/erase head \times 1 (deck 2)

<CD player section>	
Disc	Compact disc
Scanning method	Non contact optical scanner (semiconductor laser application)
Laser	Semiconductor laser (λ = 780 nm)
Rotation speed	Approx. 500 rpm - 200 rpm (CLV)
Error correction	Cross Interleave, Reed Solomon code
No. of channels	2 channels
D-A conversion	16-bit linear
Wow/flutter	Unmeasurable
Signal-to-noise ratio	90 dB (1 kHz, 0 dB)
Harmonic distortion	0.05% (1 kHz, 0 dB)


SPEAKER SYSTEM SX-N606

(These values are for one speaker.)

Cabinet type	3 way, bass reflex (Magnetism sealed type)
Speaker	130 mm (5 ¹ / ₈ in.) cone type woofer 60 mm (2 in.) cone type tweeter 20 mm (1 ³ / ₁₆ in.) ceramic type super tweeter
Impedance	6 ohms
Music power	50 W
Output sound pressure level	87 dB/W/m
Dimensions (W \times H \times D)	188 \times 340 \times 230 mm (7 ¹ / ₂ \times 13 ¹ / ₂ \times 9 ¹ / ₈ in.)
Weight	3.2 kg (7.0 lbs.)

COMMON SECTION

Power requirements	NSX-D606 LH, HE, HR: AC 120 V/220 V/240 V, switchable 50/60 Hz NSX-D606 U/NSX-D603 U: AC 120 V, 50/60 Hz NSX-D606 E, Z: AC 230 V, 50 Hz NSX-D606 K: AC 240 V, 50 Hz NSX-D606 LH, HE: 90 W NSX-D606 HR: 120 W NSX-D606 U, NSX-D603 U: 85 W NSX-D606 E, K, Z: 210 W
Power consumption (System total)	Main unit: 260 \times 340 \times 330.5 mm (10 ¹ / ₄ \times 13 ¹ / ₂ \times 13 ¹ / ₈ in.) System: 636 \times 340 \times 330.5 mm (25 ¹ / ₈ \times 13 ¹ / ₂ \times 13 in.)
Dimensions (W \times H \times D)	Main unit: 8.4 kg (18.5 lbs.) System: 14.8 kg (32.6 lbs.)
Weight	

- Design and specifications are subject to change without notice.
- Dolby noise reduction manufactured under license from Dolby Laboratories Licensing Corporation.
"DOLBY" and the double-D symbol  are trademarks of Dolby Laboratories Licensing Corporation.
- The word "BBE" and the "BBE symbol" are trademarks of BBE Sound, Inc.
Under license from BBE Sound, Inc.

RX-N606 / N603

ELECTRICAL MAIN PARTS LIST

DESCRIPTIONで判断できない物は“REFERENCE NAME LIST”を参照してください。
If can't understand for Description please kindly refer to “REFERENCE NAME LIST”.

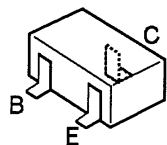
REF. NO	PART NO.	カリ NO.	DESCRIPTION	REF. NO	PART NO.	カリ NO.	DESCRIPTION
IC				BPF831	87-030-105-010		FLTR, BPMB6A(Z)
	87-002-272-080		IC, TC4052 BF	C101	87-010-399-090		CAP, E3300-35SME(U, 603, Z, K, EE, E)
	82-NT3-630-010		IC, UPD78044GF-036	C101	87-016-055-090		CAP, E3300-42HI-R(HE, HR, LH)
	87-017-373-010		IC, NJH32H380A	C102	87-010-399-090		CAP, E3300-35SME(U, 603, Z, K, EE, E)
	87-001-607-080		IC, NJM4558M	C102	87-016-055-090		CAP, E3300-42HI-R(HE, HR, LH)
	87-020-966-010		IC, STK4142-MK2	C103	87-010-390-090		CAP, E3300-25SME
	87-017-375-080		IC, TC4094BF	C104	87-010-237-080		CAP, E1000-16
	87-002-950-010		IC, BA3826S	C105	87-010-101-080		CAP, E220-16SME
	87-002-872-080		IC, MC14053 BF	C106	87-010-764-080		CAP, E47-63V
	87-017-309-010		IC, M65830P	C107	87-010-384-080		CAP, E100-25SME(Z, K, EE, E)
	87-017-449-010		IC, XR-1071CP(EXCEPT 603)	C107	87-010-407-080		CAP, E33-50SME(HE, HR, LH, U, 603)
	87-017-487-010		IC, BU2611	C108	87-010-408-080		CAP, E47-50SME
	87-017-311-080		IC, M65831 FP(HE, HR)	C109	87-010-263-080		CAP, E100-10
	87-020-446-010		IC, TA7343AP	C110	87-010-263-080		CAP, E100-10
	87-001-942-010		IC, LA1265S (G)	C111	87-010-980-010		CAP, E330-16FS
TRANSISTOR				C112	87-010-237-080		CAP, E1000-16
	89-213-702-010		TR, 2S81370E	C113	87-010-403-080		CAP, E3. 3-50SME
	89-113-187-880		TR, 2SA1318TU	C114	87-010-192-080		C-CAP, SO. 022-50F
	89-332-665-080		TR, 2SC3266GR	C115	87-016-247-080		C-CAP, O. 1-50F(Z)
	89-318-155-080		TR, 2SC1815GR	C116	87-012-140-080		C-CAP, S470P-50CH
	89-327-125-080		C-TR, 2SC2712GR	C118	87-016-247-080		C-CAP, O. 1-50F(Z)
	89-110-155-080		TR, 2SA1015GR(HE, HR, LH, U, 603)	C119	87-015-883-080		C-CAP, O. 022-25BK(Z)
	89-111-625-080		C-TR, 2SA1162GR	C120	87-015-883-080		C-CAP, O. 022-25BK(Z)
	89-333-266-080		C-TR, 2SC3326B	C205	87-016-073-080		CAP, E1-50FX
	87-026-227-080		C-TR, DTA114EK	C206	87-016-073-080		CAP, E1-50FX
	87-026-235-080		C-TR, DTC114EK	C207	87-016-073-080		CAP, E1-50FX
	87-026-226-080		C-TR, DTA143EK	C208	87-016-073-080		CAP, E1-50FX
	87-026-210-080		C-TR, DTC144EK	C209	87-010-197-080		C-CAP, SO. 01-25B
	87-026-232-080		C-TR, DTA144WK	C210	87-010-197-080		C-CAP, SO. 01-25B
	87-026-213-080		C-TR, DTC114YKT147	C211	87-010-401-080		CAP, E1-50SME
	87-026-238-080		C-TR, DTC144WK	C212	87-010-401-080		CAP, E1-50SME
	87-026-239-080		C-TR, DTC114TK	C213	87-010-402-080		CAP, E2. 2-50SME
	89-502-464-080		FET, 2SK246Y	C214	87-010-402-080		CAP, E2. 2-50SME
	89-318-154-080		TR, 2SC1815Y	C215	87-012-272-080		C-CAP, S680P-50CH
	87-026-214-080		TR, DTA114YS	C216	87-012-272-080		C-CAP, S680P-50CH
	89-327-143-080		C-TR, 2SC2714 (O)	C217	87-010-401-080		CAP, E1-50SME
	89-503-025-080		C-FET, 2SK302 GR	C218	87-010-401-080		CAP, E1-50SME
	89-502-115-080		C-FET, 2SK211GR(Z)	C221	87-010-400-080		CAP, E0. 47-50SME
	89-502-114-580		C-FET, 2SK211Y GR(Z, K, EE, E)	C222	87-010-400-080		CAP, E0. 47-50SME
				C223	87-010-260-080		CAP, E47-25SME
				C224	87-010-260-080		CAP, E47-25SME
				C225	87-010-260-080		CAP, E47-25SME
				C226	87-010-260-080		CAP, E47-25SME
				C227	87-012-368-080		C-CAP, SO. 1-50F
				C228	87-012-368-080		C-CAP, SO. 1-50F
DIODE				C229	87-012-361-080		C-CAP, SO. 056-25Y
	87-020-331-010		C-DIODE, DAN202K	C230	87-012-361-080		C-CAP, SO. 056-25Y
	87-017-447-010		DIODE, GBU4DL	C231	87-010-189-080		C-CAP, S8200P-50B(Z)
	87-017-377-050		DIODE, 1SR35-100A(HE, HR, LH, U, 603)	C232	87-010-189-080		C-CAP, S8200P-50B(Z)
	87-001-820-010		DIODE, GP15B(F)(Z, K, EE, E)	C233	87-010-546-080		CAP, E0. 33-50SME
	87-002-836-080		DIODE, 1A3-J	C234	87-010-263-080		CAP, E100-10
	87-020-027-080		C-DIODE, 1SS184	C236	87-010-408-080		CAP, E47-50SME
	87-020-125-080		C-DIODE, 1SS181	C237	87-010-403-080		CAP, E3. 3-50SME
	87-020-691-080		DIODE, 1SS132 T-72	C238	87-010-403-080		CAP, E3. 3-50SME
	87-017-173-080		ZENER, HZS11A2L	C241	87-010-197-080		C-CAP, SO. 01-25B(Z)
	87-017-147-080		ZENER, HZS33-2	C242	87-010-197-080		C-CAP, SO. 01-25B(Z)
	87-001-290-080		ZENER, HZS6B1L	C243	87-010-154-080		C-CAP, S10P-50CH
	87-001-731-080		ZENER, HZS6C2L	C244	87-010-154-080		C-CAP, S10P-50CH
	87-001-911-080		ZENER, UTZJ4. 7A (TAPG)	C245	87-010-322-080		C-CAP, S100P-50CH
	87-001-936-080		ZENER, HZS7A3L	C246	87-010-322-080		C-CAP, S100P-50CH
	87-017-091-080		ZENER, HZS5C1	C253	87-010-260-080		CAP, E47-25SME
	87-027-900-010		VARI-CAP, 1SV147	C502	87-010-322-080		C-CAP, S100P-50CH
MAIN C. B				C503	87-010-384-080		CAP, E100-25SME
	BPF731	82-794-697-010	FILTER ANTI BIRDIE(Z)	C504	87-010-192-080		C-CAP, SO. 022-50F
				C505	87-010-401-080		CAP, E1-50SME

REF. NO	PART NO.	カンリ NO.	DESCRIPTION	REF. NO	PART NO.	カンリ NO.	DESCRIPTION
C506	87-010-178-080		C-CAP, S1000P-50B	C745	87-010-197-080		C-CAP, SO. 01-25B
C507	87-010-187-080		C-CAP, S5600P-50B	C746	87-010-401-080		CAP, E1-50SME
C508	87-010-196-080		C-CAP, SO. 1-25F	C747	87-010-197-080		C-CAP, SO. 01-25B
C509	87-016-081-080		C-CAP, SO. 1-16RK	C748	87-010-404-080		CAP, E4. 7-50SME
C510	87-016-081-080		C-CAP, SO. 1-16RK	C749	87-010-405-080		CAP, E10-50SME
C511	87-010-260-080		CAP, E47-25SME	C750	87-010-544-080		CAP, E0. 1-50
C512	87-010-196-080		C-CAP, SO. 1-25F	C751	87-010-403-080		CAP, E3. 3-50SME
C513	87-010-194-080		C-CAP, SO. 047-25F	C752	87-010-197-080		C-CAP, SO. 01-25B
C514	87-010-178-080		C-CAP, S1000P-50B	C753	87-015-632-080		C-CAP, O. 015-50BK
C515	87-010-187-080		C-CAP, S5600P-50B	C754	87-010-260-080		CAP, E47-25SME
C516	87-010-263-080		CAP, E100-10	C755	87-010-401-080		CAP, E1-50SME
C517	87-010-196-080		C-CAP, SO. 1-25F	C756	87-010-197-080		C-CAP, SO. 01-25B
C518	87-010-220-080		C-CAP, SO. 018-25B	C802	87-010-154-080		C-CAP, S10P-50CH(Z, K, EE, E)
C519	87-010-181-080		C-CAP, S1800P-50B	C802	87-010-151-080		C-CAP, S7P-50CH(HE, HR, LH, U, 603)
C520	87-010-181-080		C-CAP, S1800P-50B	C804	87-010-151-080		C-CAP, S7P-50CH(EXCEPT Z)
C533	87-010-401-080		CAP, E1-50SME	C805	87-010-147-080		C-CAP, S3P-50CH(Z)
C534	87-010-401-080		CAP, E1-50SME	C805	87-010-150-080		C-CAP, S6P-50CH(EXCEPT Z)
C540	87-010-370-080		CAP, E330-6. 3SME	C806	87-010-145-080		C-CAP, S1P-50CH(EXCEPT Z)
C551	87-018-127-080		CAP, TC-U470P-50B(Z)	C806	87-010-148-080		C-CAP, S4P-50CH(Z)
C552	87-018-127-080		CAP, TC-U470P-50B(Z)	C807	87-010-154-080		C-CAP, S10P-50CH(EXCEPT Z)
C601	87-010-401-080		CAP, E1-50SME	C807	87-010-315-080		C-CAP, S27P-50CH(Z)
C602	87-010-401-080		CAP, E1-50SME	C808	87-010-322-080		C-CAP, S100P-50CH
C603	87-010-405-080		CAP, E10-50SME	C809	87-010-197-080		C-CAP, SO. 01-25B
C604	87-010-405-080		CAP, E10-50SME	C810	87-010-197-080		C-CAP, SO. 01-25B
C605	87-010-316-080		C-CAP, S33P-50CH	C811	87-010-149-080		C-CAP, S5P-50CH
C606	87-010-316-080		C-CAP, S33P-50CH	C812	87-010-312-080		C-CAP, S15P-50CH
C610	87-010-248-080		CAP, E220-10SME	C813	87-010-197-080		C-CAP, SO. 01-25B
C611	87-010-197-080		C-CAP, SO. 01-25B	C814	87-010-197-080		C-CAP, SO. 01-25B
C612	87-010-196-080		C-CAP, SO. 1-25F	C818	87-010-197-080		C-CAP, SO. 01-25B
C620	87-018-134-010		CAP, TC-U0. 01-16Y(K, EE, E)	C819	87-010-197-080		C-CAP, SO. 01-25B
C620	87-018-209-010		CAP, TC-U0. 1-50F(EXCEPT K, EE, E)	C820	87-010-260-080		CAP, E47-25SME
C628	87-010-404-080		CAP, E4. 7-50SME	C821	87-010-197-080		C-CAP, SO. 01-25B
C630	87-018-209-010		CAP, TC-U0. 1-50F(Z)	C822	87-010-197-080		C-CAP, SO. 01-25B(EXCEPT Z)
C631	87-018-134-010		CAP, TC-U0. 01-16Y(Z)	C823	87-010-197-080		C-CAP, SO. 01-25B
C700	87-010-221-080		CAP, E470-10	C826	87-010-197-080		C-CAP, SO. 01-25B
C701	87-010-384-080		CAP, E100-25SME	C827	87-010-145-080		C-CAP, S1P-50CH(Z)
C702	87-010-404-080		CAP, E4. 7-50SME	C830	87-010-197-080		C-CAP, SO. 01-25B
C703	87-010-197-080		C-CAP, SO. 01-25B	C831	87-010-148-080		C-CAP, S4P-50CH(EXCEPT Z)
C705	87-010-248-080		CAP, E220-10SME	C831	87-010-150-080		C-CAP, S6P-50CH(Z)
C706	87-010-197-080		C-CAP, SO. 01-25B	C832	87-010-314-080		C-CAP, S22P-50CH(Z)
C707	87-010-197-080		C-CAP, SO. 01-25B	C833	87-018-134-010		CAP, TC-U0. 01-16Y(Z, K, EE, E)
C708	87-010-197-080		C-CAP, SO. 01-25B	C834	87-010-150-080		C-CAP, S6P-50CH(Z)
C710	87-010-312-080		C-CAP, S15P-50CH	C835	87-010-154-080		C-CAP, S10P-50CH
C711	87-010-213-080		C-CAP, SO. 015-25B(EXCEPT U, 603)	C836	87-010-312-080		C-CAP, S15P-50CH
C711	87-010-192-080		C-CAP, SO. 022-50F(U, 603)	C837	87-010-312-080		C-CAP, S15P-50CH
C712	87-010-213-080		C-CAP, SO. 015-25B(EXCEPT U, 603)	C840	87-010-197-080		C-CAP, SO. 01-25B
C712	87-010-192-080		C-CAP, SO. 022-50F(U, 603)	C843	87-010-146-080		C-CAP, S2P-50CH
C713	87-010-184-080		C-CAP, S3300P-50B	C850	87-010-197-080		C-CAP, SO. 01-25B(Z)
C714	87-010-184-080		C-CAP, S3300P-50B	C851	87-010-197-080		C-CAP, SO. 01-25B(Z)
C715	87-010-179-080		C-CAP, S1200P-50B	C941	87-010-197-080		C-CAP, SO. 01-25B(Z, K, EE, E)
C716	87-010-179-080		C-CAP, S1200P-50B	C942	87-010-311-080		C-CAP, S12P-50CH(Z, K, EE, E)
C719	87-010-196-080		C-CAP, SO. 1-25F	C944	87-010-154-080		C-CAP, S10P-50CH(Z, K, EE, E)
C720	87-012-154-080		C-CAP, S150P-50CH	C944	87-010-311-080		C-CAP, S12P-50CH(HE, HR, LH, U, 603)
C721	87-010-401-080		CAP, E1-50SME	C945	87-014-050-080		CAP, PP510P-100J(Z, K, EE, E)
C722	87-010-401-080		CAP, E1-50SME	C946	87-010-401-080		CAP, E1-50SME
C723	87-010-405-080		CAP, E10-50SME	C949	87-010-196-080		C-CAP, SO. 1-25F(K, EE, E)
C724	87-014-057-080		CAP, PP1000P-100J	C950	87-010-322-080		C-CAP, S100P-50CH
C725	87-010-401-080		CAP, E1-50SME	C983	87-010-544-080		CAP, E0. 1-50
C726	87-010-403-080		CAP, E3. 3-50SME	C999	87-010-197-080		C-CAP, SO. 01-25B
C727	87-010-248-080		CAP, E220-10SME	CF741	82-794-670-010		BFU 450C4N
C728	87-010-402-080		CAP, E2. 2-50SME(Z)	CF801	82-799-621-010		CF MS2-A(Z)
C729	87-010-402-080		CAP, E2. 2-50SME(Z)	CF801	87-008-261-010		FLTR, SFE10. 7MA5-A(EXCEPT Z)
C731	87-010-197-080		C-CAP, SO. 01-25B	CF802	87-008-261-010		FLTR, SFE10. 7MA5-A(Z)
C732	87-010-197-080		C-CAP, SO. 01-25B	CF803	87-008-261-010		FLTR, SFE10. 7MA5-A
C734	87-010-322-080		C-CAP, S100P-50CH	J250	87-049-855-010		JACK, 6. 3 W/S
C741	87-010-402-080		CAP, E2. 2-50SME	J254	87-033-226-010		TERMINAL, SP 4P (JT)
C742	87-012-157-080		C-CAP, S330P-50CH(EXCEPT Z)	J652	81-CXC-657-010		JACK, 4P-1(EXCEPT Z)
C742	87-012-158-080		C-CAP, S390P-50CH(Z)	J652	87-099-372-010		JACK, 4P(W/EARTH)(Z)
C743	87-010-382-080		CAP, E22-25SME	J801	87-033-230-010		ANTTERM AJ2016(Z, K, EE, E)
C744	87-010-197-080		C-CAP, SO. 01-25B	J801	82-NF5-621-010		ANTTERM JBT0222(HE, HR, LH, U, 603)

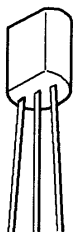
REF. NO	PART NO.	カンリ NO.	DESCRIPTION	REF. NO	PART NO.	カンリ NO.	DESCRIPTION
L201	87-005-366-010		COIL, 1UH(Z)	C610	87-010-404-040		CAP, E4, 7-50SME
L202	87-005-366-010		COIL, 1UH(Z)	C611	87-010-405-040		CAP, E10-50SME
L651	87-003-051-080		COIL, 470UH	C612	87-010-405-040		CAP, E10-50SME
L652	87-003-051-080		COIL, 470UH	C650	87-016-251-040		CAP, E220-16SMG(EXCEPT 603)
L701	87-008-513-010		COIL, 1 POLE MPX SAG	C651	87-010-401-040		CAP, E1-50SME(EXCEPT 603)
L702	87-008-513-010		COIL, 1 POLE MPX SAG	C652	87-010-405-040		CAP, E10-50SME(EXCEPT 603)
L741	81-631-611-010		COIL, QUAD (SINGLE)	C653	87-010-178-080		C-CAP, S1000P-50B(EXCEPT 603)
L742	87-008-491-010		FLTR, PACFAZ 450	C654	87-010-178-080		C-CAP, S1000P-50B(EXCEPT 603)
L801	87-006-219-010		COIL, ANT FM 3/4T, S	C655	87-010-404-040		CAP, E4, 7-50SME(EXCEPT 603)
L802	87-006-210-010		COIL, ANT FM 2 3/4T	C656	87-010-404-010		CAP, E4, 7-50SME(EXCEPT 603)
L803	87-006-200-010		COIL, RF FM 3-1/2T, L5	C657	87-010-404-010		CAP, E4, 7-50SME(EXCEPT 603)
L804	87-006-201-010		COIL, RF FM3-1/2TS, L5	C658	87-010-404-040		CAP, E4, 7-50SME(EXCEPT 603)
L805	87-003-098-080		COIL, 2, 2UH	C659	87-012-154-080		C-CAP, S150P-50CH(EXCEPT 603)
L806	87-008-512-010		COIL, FM 1FT SAG	C660	87-012-154-080		C-CAP, S150P-50CH(EXCEPT 603)
L807	87-006-205-010		COIL, OSC FM (7K)	C661	87-010-404-040		CAP, E4, 7-50SME(EXCEPT 603)
L831	87-006-201-010		COIL, RF FM3-1/2TS, L5(Z)	C662	87-010-404-040		CAP, E4, 7-50SME(EXCEPT 603)
L832	87-003-098-080		COIL, 2, 2UH	C663	87-010-197-080		C-CAP, S0, 01-25B(EXCEPT 603)
L941	87-006-208-010		COIL, ANT LW(Z, K, EE, E)	C664	87-010-197-080		C-CAP, S0, 01-25B(EXCEPT 603)
L942	87-007-305-010		COIL, OSC LW S(Z, K, EE, E)	C665	87-010-400-040		CAP, E0, 47-50(EXCEPT 603)
L981	82-NT3-632-010		AM PACK 1, SAG(HE, HR, LH, U, 603)	C666	87-010-400-040		CAP, E0, 47-50(EXCEPT 603)
L981	81-MX4-619-010		AM PACK 4(Z, K, EE, E)	C667	87-010-184-080		C-CAP, S3300P-50B(EXCEPT 603)
R105	87-022-050-080		RESIS METAL 1W-0.22J	C668	87-010-184-080		C-CAP, S3300P-50B(EXCEPT 603)
R106	87-022-050-080		RESIS METAL 1W-0.22J	C669	87-012-155-080		C-CAP, S180P-50CH(EXCEPT 603)
R243	87-022-391-080		RES, M/F 0.47-1W(EXCEPT U, 603)	C670	87-012-155-080		C-CAP, S180P-50CH(EXCEPT 603)
R244	87-022-391-080		RES, M/F 0.47-1W(EXCEPT U, 603)	C671	87-010-405-040		CAP, E10-50SME(EXCEPT 603)
R257	87-022-391-080		RES, M/F 0.47-1W(EXCEPT U, 603)	C672	87-010-401-040		CAP, E1-50SME(EXCEPT 603)
R258	87-022-391-080		RES, M/F 0.47-1W(EXCEPT U, 603)	C673	87-010-405-040		CAP, E10-50SME
RY101	87-045-335-010		RELAY, G5Z-2A 12VDC	C674	87-010-405-040		CAP, E10-50SME
SFR721	87-024-171-080		SFR 4, 7K DIA6 V	C681	87-012-154-080		C-CAP, S150P-50CH(603)
SFR722	87-024-174-080		SFR 33K DIA6 V	C682	87-012-154-080		C-CAP, S150P-50CH(603)
TC701	87-011-221-080		TRIMER, 30P VCT51	C683	87-016-251-040		CAP, E220-10SMG(603)
TC801	87-011-219-080		CAP TRIMMER 10P VCT	C684	87-010-405-040		CAP, E10-50SME(603)
TC802	87-011-219-080		CAP TRIMMER 10P VCT	C701	87-010-196-080		C-CAP, S0, 1-25F
TC803	87-011-219-080		CAP TRIMMER 10P VCT(Z)	C702	87-010-183-080		C-CAP, S2700P-50B
TC942	87-011-221-080		TRIMER, 30P VCT51(Z, K, EE, E)	C703	87-010-192-080		C-CAP, S0, 022-50F(EXCEPT 603)
VR651	82-NF5-660-010		VR, 50K BX2 RK14K 12A	C704	87-010-403-040		CAP, E3, 3-50SME
W101	81-MX4-647-010		F-CABEL, 7P-2.5(EXCEPT E)	C705	87-010-175-080		C-CAP, S560P-50SL
W101	81-MX4-706-010		F-CABLE, 7P-2.5G(E)	C706	87-010-401-040		CAP, E1-50SME
W605	82-NT3-631-010		CORD, FG 15P(603, Z, K, EE)	C707	87-010-545-040		CAP, E0, 22-50SME
X501	87-030-305-080		VIB, CER CST 1.84MG	C708	87-010-177-080		C-CAP, S820P-50SL
X701	87-030-163-010		VIB, XTAL 7.2MHZ(NDK)	C709	87-010-374-040		CAP, E47-10
				C710	87-010-248-040		CAP, E220-10SME
				C711	87-010-401-040		CAP, E1-50SME
				C712	87-010-401-040		CAP, E1-50SME
				C721	87-010-263-040		CAP, E100-10(HE, HR)
FRONT C. B							
C201	87-010-408-040		CAP, E47-50SME				
C202	87-010-404-040		CAP, E4, 7-50SME	C722	87-010-196-080		C-CAP, S0, 1-25F(HE, HR)
C203	87-010-404-040		CAP, E4, 7-50SME	C723	87-010-594-080		C-CAP, S0, 033-16RK
C204	87-010-264-040		CAP, E100-105L	C724	87-010-187-080		C-CAP, S5600P-50B(HE, HR)
C205	87-010-401-040		CAP, E1-50SME	C725	87-010-175-080		C-CAP, S560P-50SL(HE, HR)
				C726	87-010-196-080		C-CAP, S0, 1-25F(HE, HR)
C206	87-010-401-040		CAP, E1-50SME				
C207	87-010-248-040		CAP, E220-10SME	C727	87-010-374-040		CAP, E47-10(HE, HR)
C208	87-010-405-040		CAP, E10-50SME	C728	87-016-081-080		C-CAP, S0, 1-16RK(HE, HR)
C209	87-010-196-080		C-CAP, S0, 1-25F	C729	87-016-081-080		C-CAP, S0, 1-16RK(HE, HR)
C210	87-010-196-080		C-CAP, S0, 1-25F	C730	87-010-196-080		C-CAP, S0, 1-25F(HE, HR)
				C731	87-010-187-080		C-CAP, S5600P-50B(HE, HR)
C211	87-010-178-080		C-CAP, S1000P-50B				
C301	87-010-196-080		C-CAP, S0, 1-25F	C732	87-010-175-080		C-CAP, S560P-50SL(HE, HR)
C401	87-010-384-040		CAP, E100-25SME	C733	87-010-401-040		CAP, E1-50SME(HE, HR)
C501	87-010-196-080		C-CAP, S0, 1-25F	C734	87-010-197-080		C-CAP, S0, 01-25B(HE, HR)
C502	87-010-196-080		C-CAP, S0, 1-25F	C735	87-010-374-040		CAP, E47-10(HE, HR)
				FL201	82-NF5-632-010		FL, BJ116GK
C503	87-010-109-080		C-CAP, S0, 22				
C601	87-010-248-040		CAP, E220-10SME	J701	81-MX4-630-010		JACK, 3, 5
C602	87-010-593-080		C-CAP, S0, 027-16RK	LED301	87-017-469-080		LED, SEL2215S TP3
C603	87-010-593-080		C-CAP, S0, 027-16RK	LED302	87-017-469-080		LED, SEL2215S TP3
C604	87-010-428-080		C-CAP, S0, 015	LED303	87-017-469-080		LED, SEL2215S TP3
				LED304	87-017-489-080		LED, SEL1450GM-YG TP5
C605	87-010-401-040		CAP, E1-50SME				
C606	87-010-401-040		CAP, E1-50SME	LED305	87-017-489-080		LED, SEL1450GM-YG TP5
C607	87-010-401-040		CAP, E1-50SME	LED306	87-017-489-080		LED, SEL1450GM-YG TP5
C608	87-010-405-040		CAP, E10-50SME	LED307	87-017-489-080		LED, SEL1450GM-YG TP5
C609	87-010-197-080		C-CAP, S0, 01-25B	LED308	87-017-489-080		LED, SEL1450GM-YG TP5
				LED309	87-017-489-080		LED, SEL1450GM-YG TP5

REF. NO	PART NO.	カリ NO.	DESCRIPTION	REF. NO	PART NO.	カリ NO.	DESCRIPTION
LED310	87-017-489-080		LED, SEL1450GM-YG TP5	C806	87-010-192-080		C-CAP, SO. 022-50F
LED311	87-017-489-080		LED, SEL1450GM-YG TP5	C811	87-010-187-080		C-CAP, S5600P-50B
LED312	87-017-350-080		LED, SEL1550CM	C812	87-010-187-080		C-CAP, S5600P-50B
LED313	87-017-350-080		LED, SEL1550CM	C813	87-010-154-080		C-CAP, S10P-50CH
LED314	87-017-350-080		LED, SEL1550CM	C814	87-010-154-080		C-CAP, S10P-50CH
LED315	87-017-350-080		LED, SEL1550CM	C815	87-012-154-080		C-CAP, S150P-50CH
LED316	87-017-350-080		LED, SEL1550CM	C816	87-012-154-080		C-CAP, S150P-50CH
LED317	87-017-350-080		LED, SEL1550CM	C817	87-010-184-080		C-CAP, S3300P-50B
S241	87-036-170-080		SW, TACT(E)	C818	87-010-184-080		C-CAP, S3300P-50B
S241	87-036-215-080		SW, TACT EVQ21404M(EXCEPT E)	C819	87-010-197-080		C-CAP, SO. 01-25B
S242	87-036-170-080		SW, TACT(E)	C820	87-010-197-080		C-CAP, SO. 01-25B
S242	87-036-215-080		SW, TACT EVQ21404M(EXCEPT E)	C821	87-012-154-080		C-CAP, S150P-50CH
S243	87-036-170-080		SW, TACT(E)	C822	87-012-154-080		C-CAP, S150P-50CH
S243	87-036-215-080		SW, TACT EVQ21404M(EXCEPT E)	C823	87-012-365-080		C-CAP, SO. 027-25VBK
S244	87-036-170-080		SW, TACT(E)	C824	87-012-365-080		C-CAP, SO. 027-25VBK
S244	87-036-215-080		SW, TACT EVQ21404M(EXCEPT E)	C825	87-010-320-080		C-CAP, S68P-50CH
S245	87-036-170-080		SW, TACT(E)	C826	87-010-320-080		C-CAP, S68P-50CH
S245	87-036-215-080		SW, TACT EVQ21404M(EXCEPT E)	C827	87-010-186-080		C-CAP, S4700P-50B
S246	87-036-170-080		SW, TACT(E)	C828	87-010-186-080		C-CAP, S4700P-50B
S246	87-036-215-080		SW, TACT EVQ21404M(EXCEPT E)	C829	87-010-994-080		C-CAP, S680-50CH
S247	87-036-170-080		SW, TACT(E)	C830	87-010-994-080		C-CAP, S680-50CH
S247	87-036-215-080		SW, TACT EVQ21404M(EXCEPT E)	C831	87-010-402-040		CAP, E2. 2-50SME
S248	87-036-170-080		SW, TACT(E)	C832	87-010-402-040		CAP, E2. 2-50SME
S248	87-036-215-080		SW, TACT EVQ21404M(EXCEPT E)	C833	87-010-401-040		CAP, E1-50SME
S249	87-036-170-080		SW, TACT(E)	C834	87-010-401-040		CAP, E1-50SME
S249	87-036-215-080		SW, TACT EVQ21404M(EXCEPT E)	C835	87-010-320-080		C-CAP, S 68P-50 CH
S250	87-036-170-080		SW, TACT(E)	C836	87-010-320-080		C-CAP, S 68P-50 CH
S250	87-036-215-080		SW, TACT EVQ21404M(EXCEPT E)	L801	87-003-152-080		COIL, 100UH(Z)
S251	87-036-170-080		SW, TACT(E)	L802	87-003-152-080		COIL, 100UH(Z)
S251	87-036-215-080		SW, TACT EVQ21404M(EXCEPT E)	VR801	82-MA3-635-010		VR, 50KBX2 (MO)
S252	87-036-170-080		SW, TACT(E)				
S252	87-036-215-080		SW, TACT EVQ21404M(EXCEPT E)	PT C. B			
S253	87-036-170-080		SW, TACT(E)				
S253	87-036-215-080		SW, TACT EVQ21404M(EXCEPT E)	R100	87-022-050-080		RES, METAL 1W-0. 22J(K)
S254	87-036-170-080		SW, TACT(E)	R100	87-022-449-090		RES, NF 0. 47-1/2W (EXCEPT K)
S254	87-036-215-080		SW, TACT EVQ21404M(EXCEPT E)	R101	87-022-449-090		RES, NF 0. 47-1/2W (EXCEPT K)
S255	87-036-215-080		SW, TACT EVQ21404M(EXCEPT E)				
S255	87-036-170-080		SW, TACT(E)				
S255	87-036-215-080		SW, TACT EVQ21404M(EXCEPT 603, E)	SW C. B			
S256	87-036-170-080		SW, TACT(E)				
S256	87-036-215-080		SW, TACT EVQ21404M(EXCEPT E)	△	87-033-147-010		CLAMP, FUSE (HE, HR, LH)
S257	87-036-170-080		SW, TACT(E)	△F101	82-304-743-010		TERMINAL, 1P (HE, HR, LH, U, 603)
S257	87-036-215-080		SW, TACT EVQ21404M(EXCEPT E)	△F101	87-035-367-010		FUSE, 3. 15A 250V T E (HR)
S258	87-036-170-080		SW, TACT(E)	△F101	87-035-415-010		FUSE, T2. 5A 250V UL (HE, LH)
S258	87-036-215-080		SW, TACT EVQ21404M(EXCEPT E)	△SW101	87-036-229-010		SW, SL DP3C RA (HE, HR, LH)
S259	87-036-170-080		SW, TACT(E)				
S259	87-036-215-080		SW, TACT EVQ21404M(EXCEPT E)	MISCELLANEOUS			
S260	87-036-170-080		SW, TACT(E)	△	87-050-032-010		AC CORD ASSY, K 3P S(K)
S260	87-036-215-080		SW, TACT EVQ21404M(EXCEPT E)	△	87-050-034-010		AC CORD ASSY, E (HE, HR, Z, EE)
S261	87-036-170-080		SW, TACT(E)	△	87-050-016-010		AC CORD ASSY, E (E)
S261	87-036-215-080		SW, TACT EVQ21404M(EXCEPT E)	△	87-050-023-010		AC CORD ASSY, U-2 (U, 603)
VR701	81-MX4-637-010		VR, 10KA RK11K1130	△	87-034-749-010		AC CORD, H W/PLUG (LH)
VR721	81-MT3-632-010		VR, SL 10KB (HE, HR)				
X201	87-008-394-080		CF CST 4. 19 MGW	△	89-VT5-202-010		FG BUSHING, CORD
X721	87-008-496-080		CERA LOCK CST2. 0MG (HE, HR)	△	87-085-184-010		BUSHING, CORD (LH)
				△	87-085-185-010		BUSHING, CORD (HE, HR, Z, K, EE, E)
				△	87-085-189-010		BUSHING, CORD (U, 603)
				△PT101	82-NF5-624-210		PT, 2NF5 HE (HE, LH)
MVR C. B							
C801	87-010-384-040		CAP, E100-25SME	△PT101	82-NF5-628-010		PT, 2NF5 HR (HR)
C802	87-010-248-040		CAP, E220-10SME	△PT101	82-NF5-627-210		PT, 2NF5 U (U, 603)
C803	87-010-197-080		C-CAP, SO. 01-25B	△PT101	82-NF5-625-010		PT, 2NF5 E, K (Z, K, EE, E)
C804	87-010-197-080		C-CAP, SO. 01-25B	W605	82-NT3-631-010		CORD, FG 15P (HE, HR, LH, U, E)
C805	87-010-248-040		CAP, E220-10SME				

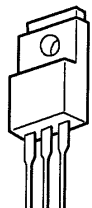
TRANSISTOR ILLUSTRATION



2SA1162
2SC2712
2SC2714
2SC3326
DTA114EK
DTA143
DTA144
DTC114
DTC144



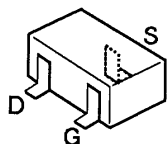
ECB
2SA1015
2SA1318
2SC1815
2SC3266



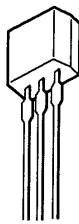
BCE
2SB1370



ECB
DTA114YS



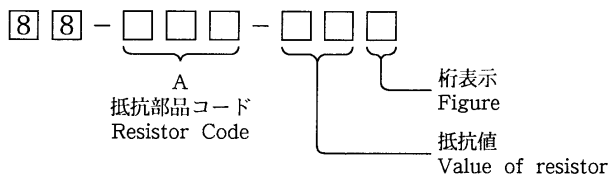
2SK211
2SK302



SGD
2SK246

○ チップ抵抗部品コード / CHIP RESISTOR PART CODE

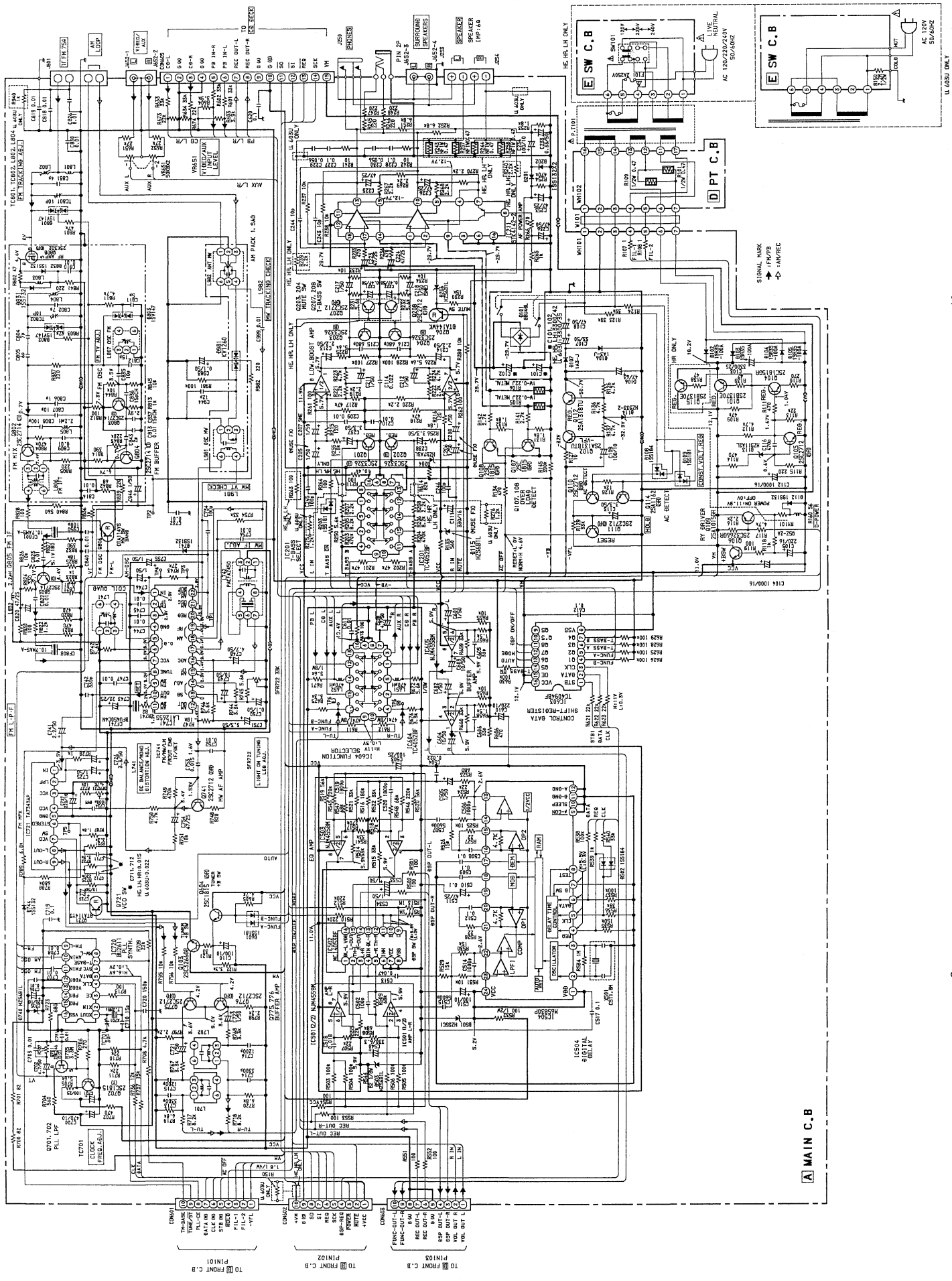
チップ抵抗部品コードの成り立ち
Chip Resistor Part Coding



チップ抵抗
Chip resistor

Wattage 容量	Type 種類	Tolerance 許容誤差	Symbol 記号	Dimensions / 寸法 (mm)			Resistor Code : A 抵抗コード : A	
				Form / 外形	L	W		t
1/32W	1608	± 5 %	CJ		1.6	0.8	0.35	108
1/10W	2125	± 5 %	CJ		2	1.25	1.45	118
1/8W	3126	± 5 %	CJ		3.2	1.6	0.5 ~0.7	128

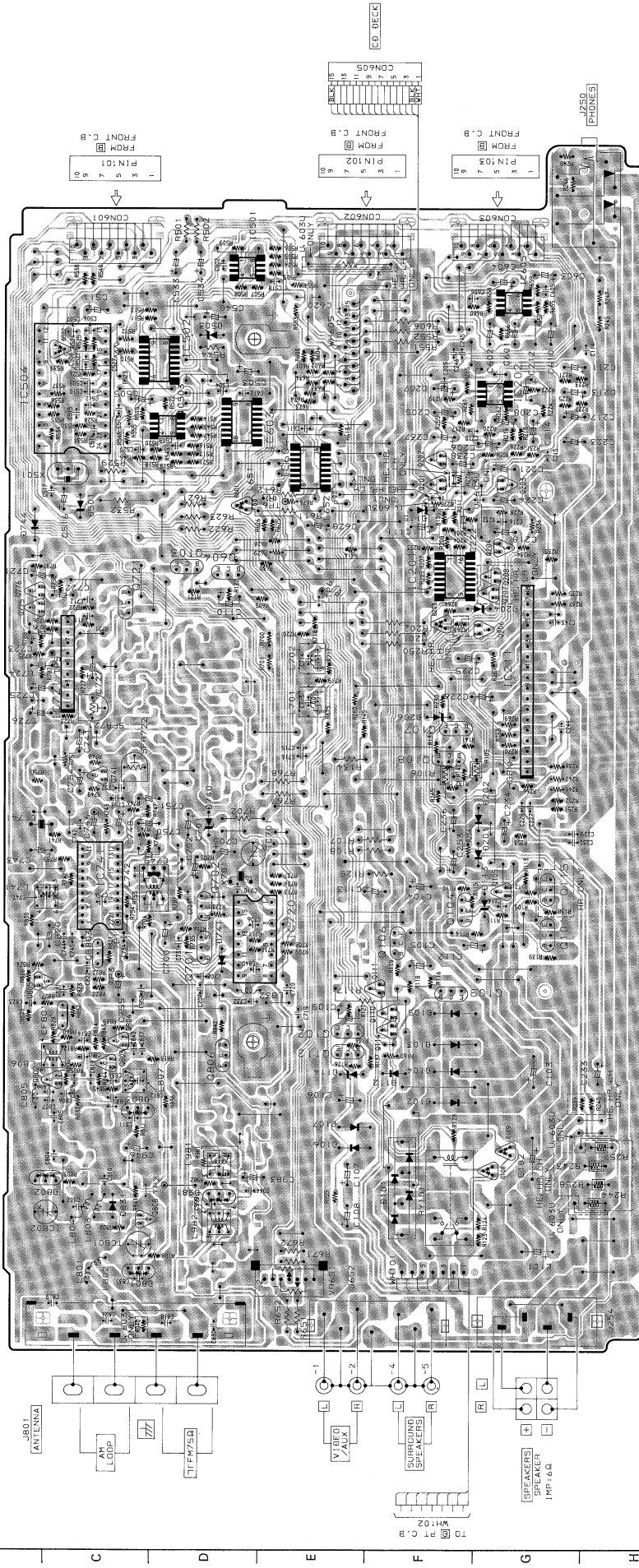
SCHEMATIC DIAGRAM - 1 (MAIN : HE, LH, HR, U, 603U)



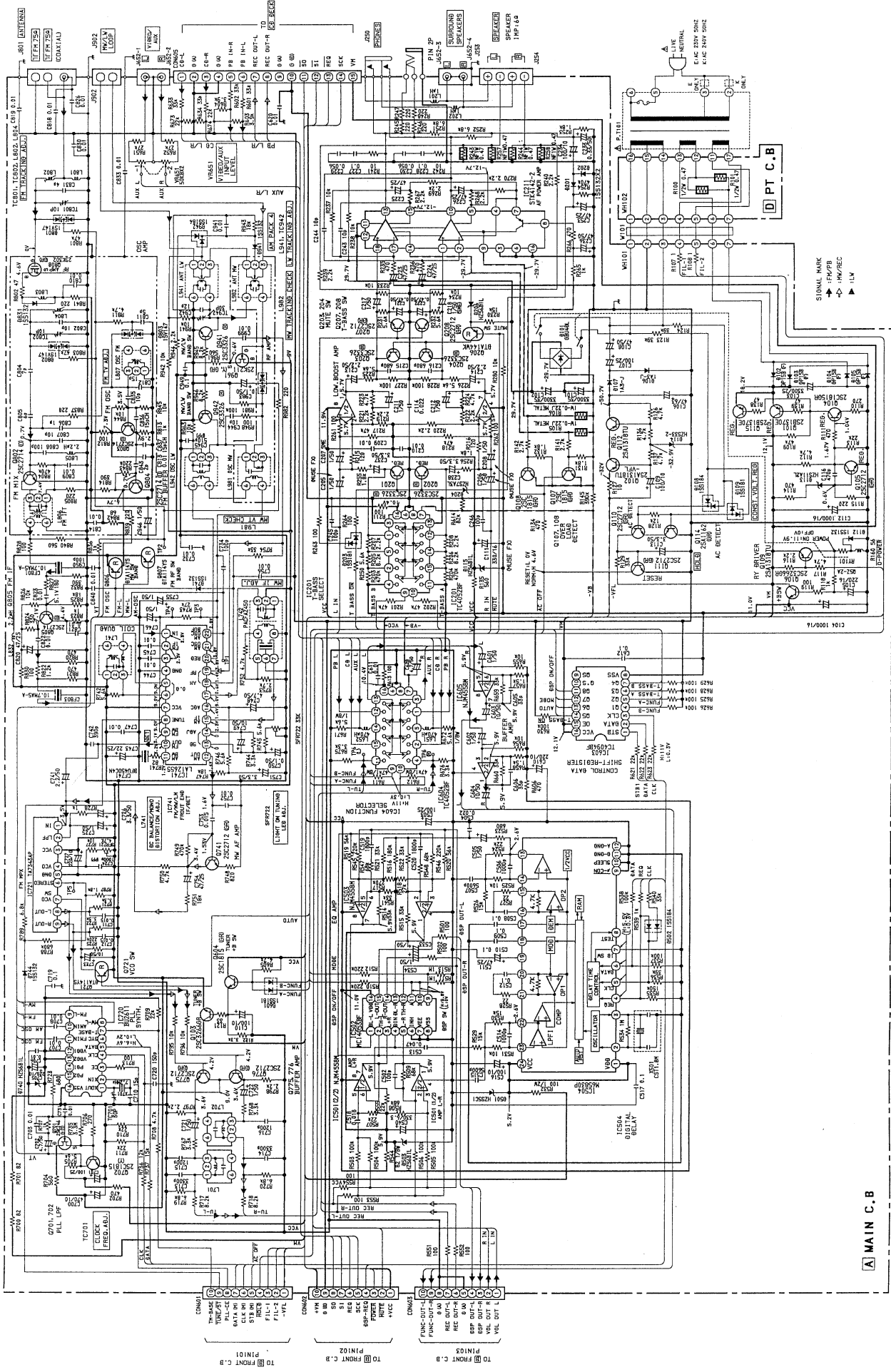
WIRING - 1 (MAIN : HE, LH, HR, U, 603U)

1 2 3 4 5 6 7 8 9 10 11 12 13 14

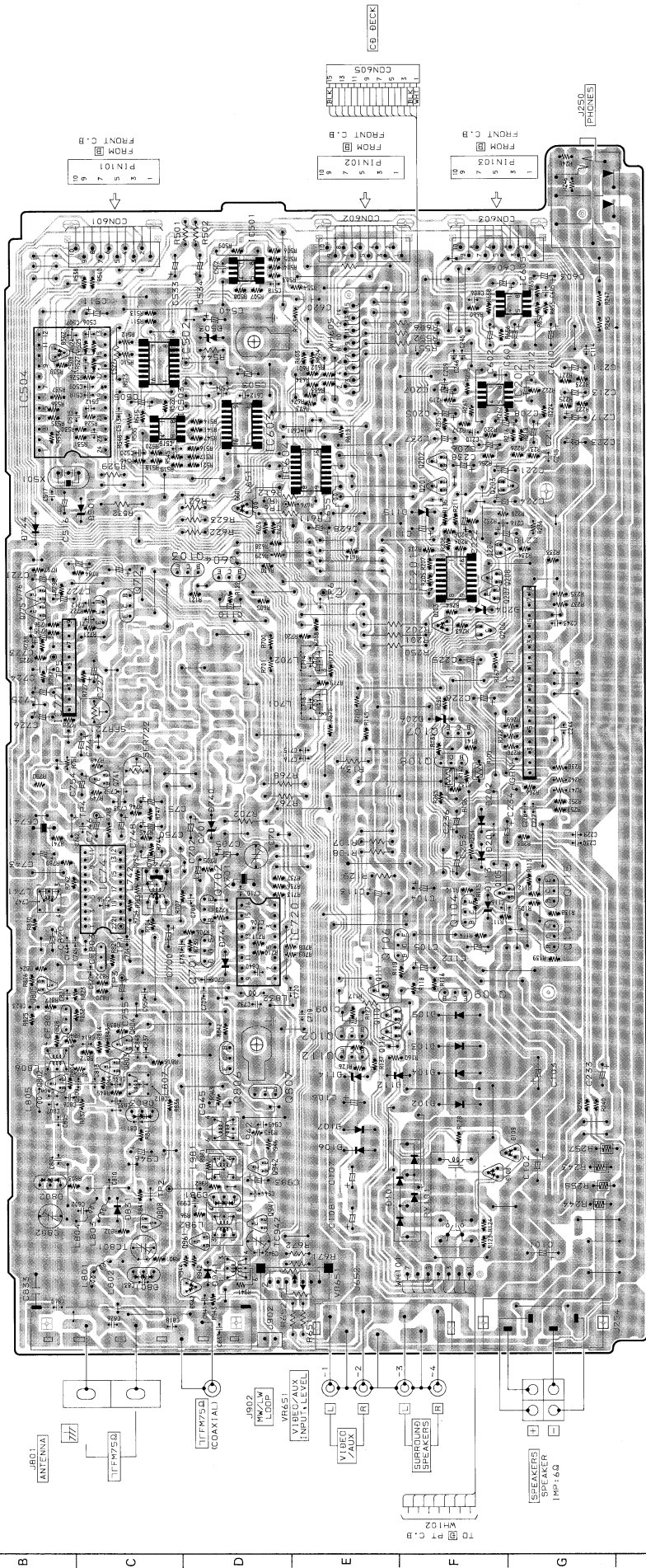
A MAIN C.B



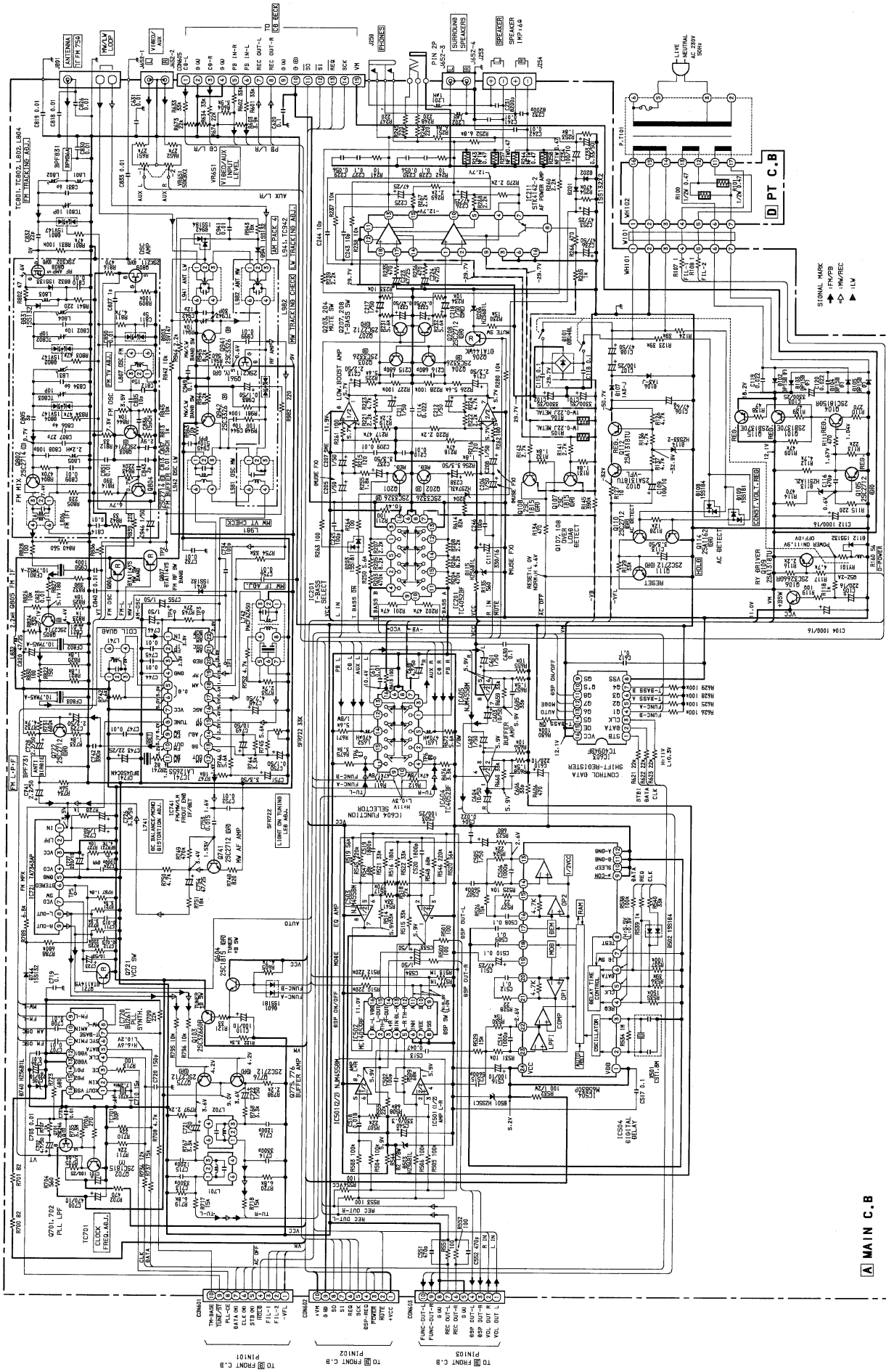
SCHEMATIC DIAGRAM - 2 (MAIN : E, K)



A MAIN C.B



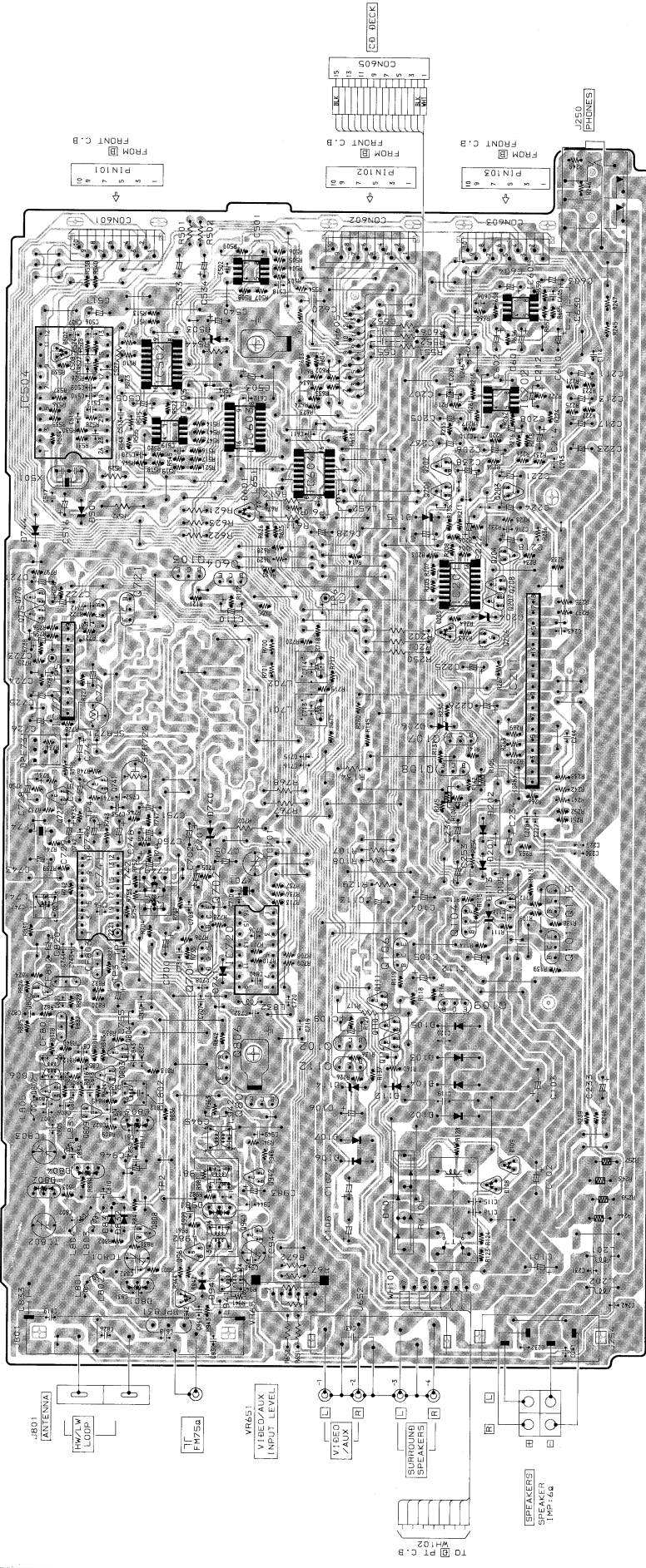
SCHEMATIC DIAGRAM - 3 (MAIN : Z)

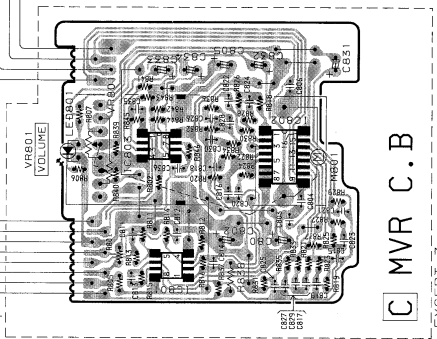
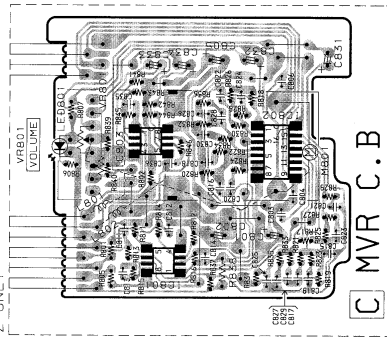
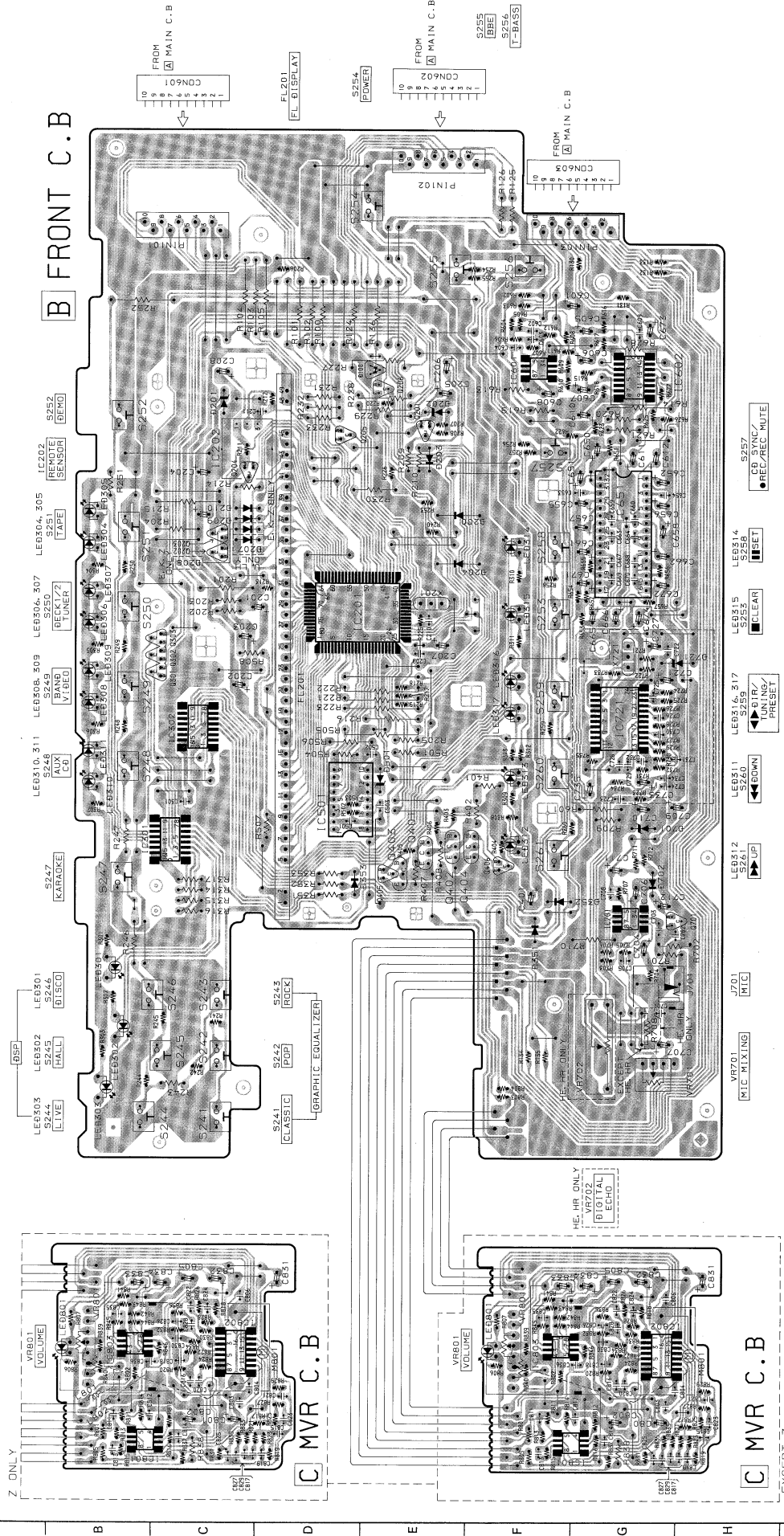


1 2 3 4 5 6 7 8 9 10 11 12 13 14

A B C D E F G H I J K

A MAIN C.B





B FRONT C.B.

C MVR C.B.

EXCEPT Z

- VR701 MIC MIXING
- VR701 MIC
- LE8312 S261 UP
- LE8311 S260 DOWN
- LE8316 S17 TUNING/PRESET
- LE8315 S263 CLEAR
- LE8314 S258 BSET
- S257 REC/REC MUTE

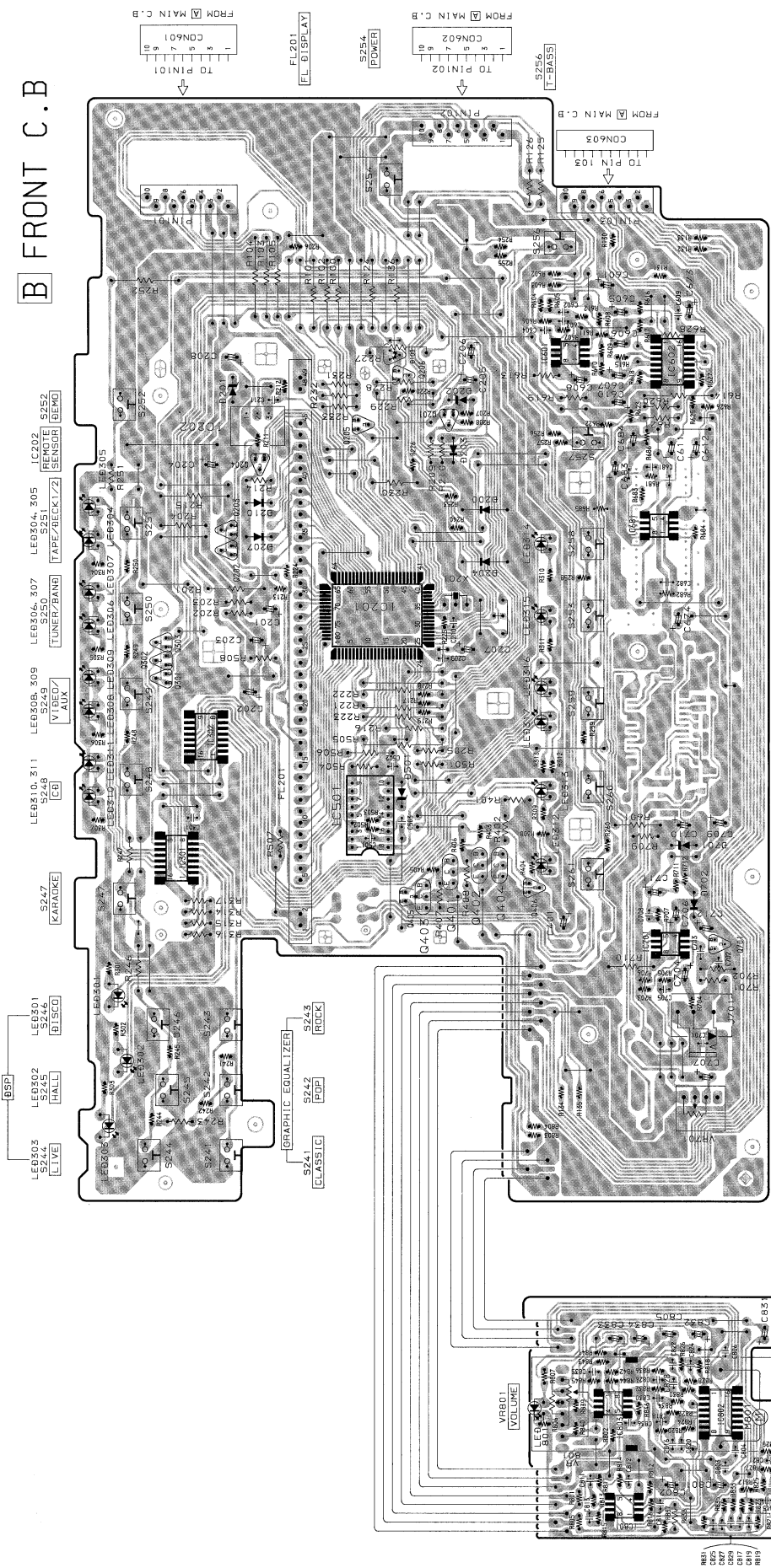
1 2 3 4 5 6 7 8 9 10 11 12 13 14

A B C D E F G H I J K

1 2 3 4 5 6 7 8 9 10 11 12 13 14

A B C D E F G H I J K

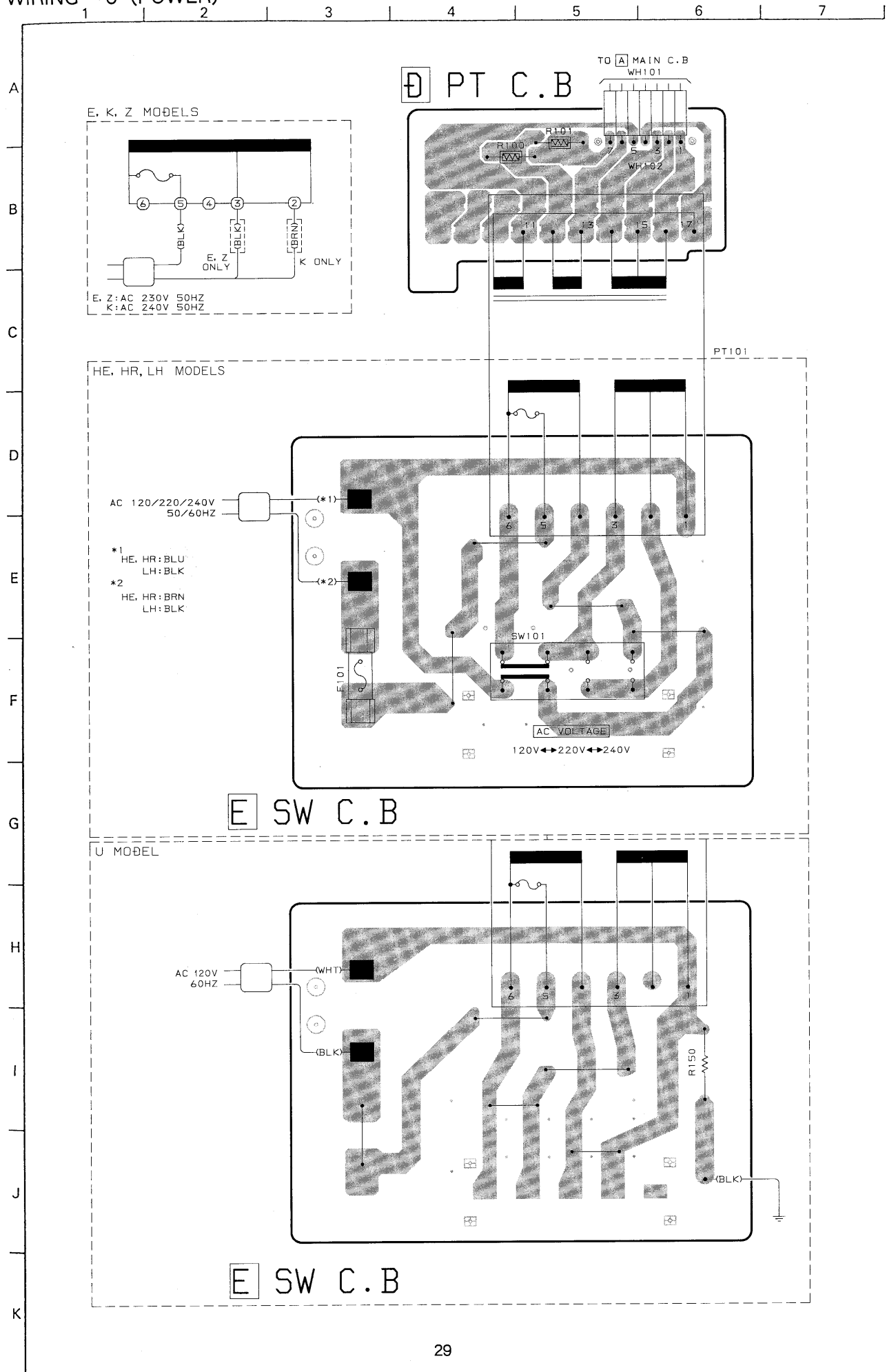
B FRONT C.B



C MVR C.B

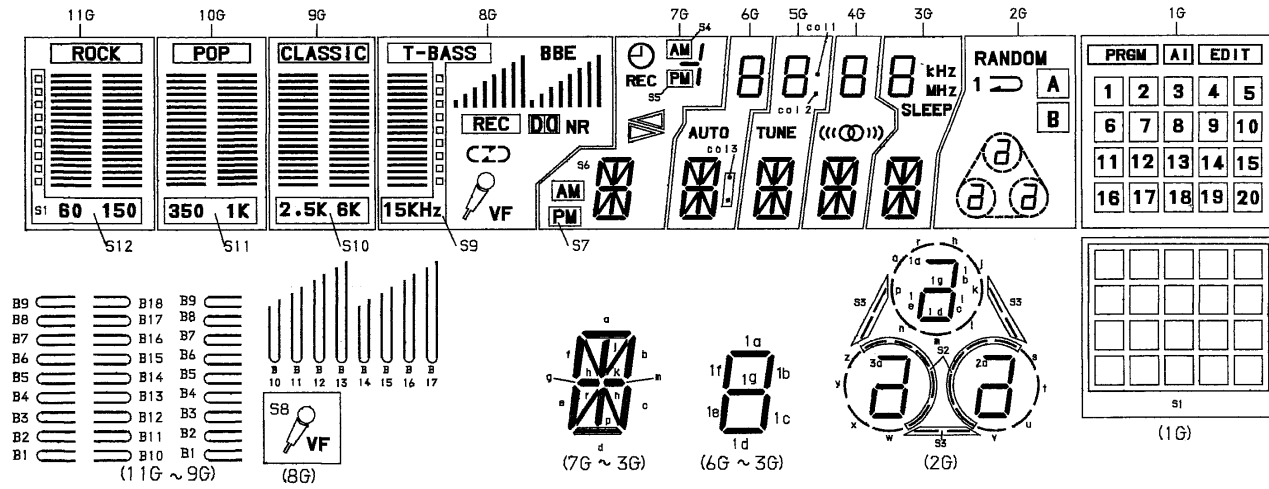


WIRING - 6 (POWER)



FL (BJ116GK) GRID ASSIGNMENT/ANODE CONNECTION

GRID ASSIGNMENT



ANODE CONNECTION

	11G	10G	9G	8G	7G	6G	5G	4G	3G	2G	1G
S1	B10	B10	B10	(d	d	d	d	d	s, t, w, x	20
S2S	B1	B1	B1	B1	j, p	j, p	j, p	j, p	j, p	u, v, y, z	19
S3	B11	B11	B11	S8	n	n	n	n	n	3e	18
S4	B2	B2	B2	B2	r	r	r	r	r	3c	17
S5	B12	B12	B12)	c	c	c	c	c	3a, 3d, 3g	16
S6	B3	B3	B3	B3	e	e	e	e	e	3b	15
S7	B13	B13	B13	○	m	m	m	m	m	2e	14
S8	B4	B4	B4	B4	q	q	q	q	q	2c	13
S9	B5	B5	B5	B5	f	f	f	f	f	2a, 2d, 2g	11
S10	B15	B15	B15	NR	b	b	b	b	b	S3	10
S11	B6	B6	B6	B6	k	k	k	k	k	j, m, q	9
S12	B16	B16	B16	B10	h	h	h	h	h	h, l, p	8
S13	B7	B7	B7	B7	a	a	a	a	a	k, n, r	7
S14	B14	B14	B14	REC	S7	col 3	col 1	—	kHz	2b	12
S15	B17	B17	B17	B17	S6	AUTO	TUNE	((∞))	SLEEP	1e	6
S16	B8	B8	B8	B8	▷	—	col 2	—	MHz	1a, 1d, 1q	5
S17	B18	B18	B18	B12	▷	1d	1d	1d	1d	1c	4
S18	B9	B9	B9	B9	REC	1e	1e	1e	1e	1b	3
S19	□	□	□	13B	S5	1c	1c	1c	1c	□	2
S20	—	—	—	B14	—	1q	1q	1q	1q	1	1
S21	—	—	—	B15	⊕	1f	1f	1f	1f	▷	EDIT
S22	—	—	—	B16	⊕	1b	1b	1b	1b	A	A
S23	—	—	—	B17	S4	1a	1a	1a	1a	RANDOM	PRGM
ST1	S12	S11	S10	S9	▷	—	—	—	—	S2	S1
ST2	ROCK	POP	CLASSIC	—	—	—	—	—	—	—	—
ST3	—	—	—	BBE	—	—	—	—	—	—	—

IC DESCRIPTION

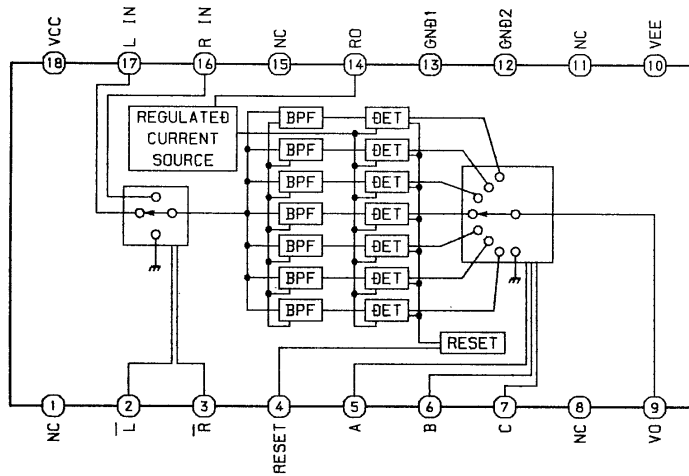
IC, μ PD78044GF - 036

Pin No.	Pin Name	I/O	Description
1~7	G7~G1	O	Outputs to FL display grids
8	VDD	—	Power supply
9	SCK	O	Serial clock output to FD microprocessor (communication line with FD IC)
10	O-SO	O	Serial data output to FD microprocessor (communication line with FD IC)
11	I-SI	I	Serial data input from FD microprocessor (communication line with FD IC)
12	REQ	O	Data request signal output to FD microprocessor (communication line with FD IC)
13	SPE-RST	O	Reset signal output to IC501 BA3826S (Driver for spectrum analyzer display)
14~16	SPE· \bar{C} ~SPE· \bar{A}	O	Control signal output for selecting output frequency of IC501 BA3826S
17	$\bar{R}ESET$	I	Reset input
18	VF-B	O	Vocal fader/audio multiplex select signal output
19	VF-A		
20	A VSS	—	GND
21	I- $\bar{H}OLD$	I	When AC power is stopped, this input goes "L" and microprocessor enters HOLD mode. (Clock is stopped, memory saved.)
22	VOL-DOWN	O	Signal output controlling motor up/down of main VOL (VR801)
23	VOL-UP		
24	NC	—	GND
25	I-SPEANA	I	Analog input (A/D input) for spectrum analyzer display
26	I-KEY1	I	Key data input (A/D input)
27	I-KEY2		
28	I- $\bar{T}UNE/\bar{S}T$	I	Signal input (A/D input) during tuner reception and stereo reception
29	A-VDD	—	Analog power supply for A/D input
30	A-VREF	I	Reference voltage input for A/D input
31	XT1	I	GND
32	XT2	—	OPEN
33	VSS	—	GND
34	X1	I	Connecting 4.19MHz system clock oscillator
35	X2		
36	O-STB (F)	O	Strobe signal output of shift register IC301/302 (4094) in front C.B
37	O-CLK (F)	O	Serial clock output of shift register IC301/302 (4094) in front C.B
38	O-DATA (F)	O	Serial data output of shift register IC301/302 (4094) in front C.B
39	O- $\bar{P}OWER$	O	Power ON/OFF control
40	O-GEQ B	O	GEQ selection signal output of IC802 (4052)
41	O-GEQ A	O	GEQ selection signal output of IC802 (4052)
42	I-TMBASE	I	Time base (8Hz) input for clock
43	O-PLL CE	O	Chip enable output of tuner PLL IC720 (BU2611)
44	O-DSP-REQ	O	Data request signal output of DSP IC504 (M6830P)
45	O- $\bar{M}UTE$	O	Muting signal output
46	O- $\bar{S}WSCAN$	O	Diode selection scan signal output (D205 - D211)
47	I- $\bar{R}MC$	I	Remote control signal input

Pin No.	Pin Name	I/O	Description
48	IC	—	GND
49	O-STB (M)	O	Strobe signal of shift register IC603 (4094) in main C.B.
50	O-DATA (M)	O	Serial data output of shift register IC603 (4094), PLL IC720 (BU2611) and DSP IC504 (M65830P) in main C.B.
51	O-CLK (M)	O	Serial clock output of shift register IC603 (4094), PLL IC720 (BU2611) and DSP IC504 (M65830P) in main C.B.
52	VDD	—	Power supply
53~70	S1~S18	O	Outputs to FL display segments
71	V LOAD	—	Negative (-30.0V) power supply for FL display
72~76	S19~S23	O	Outputs to FL display segments
77~80	G1~G8	O	Output to FL display grids

IC BLOCK DIAGRAM

IC,BA3826S



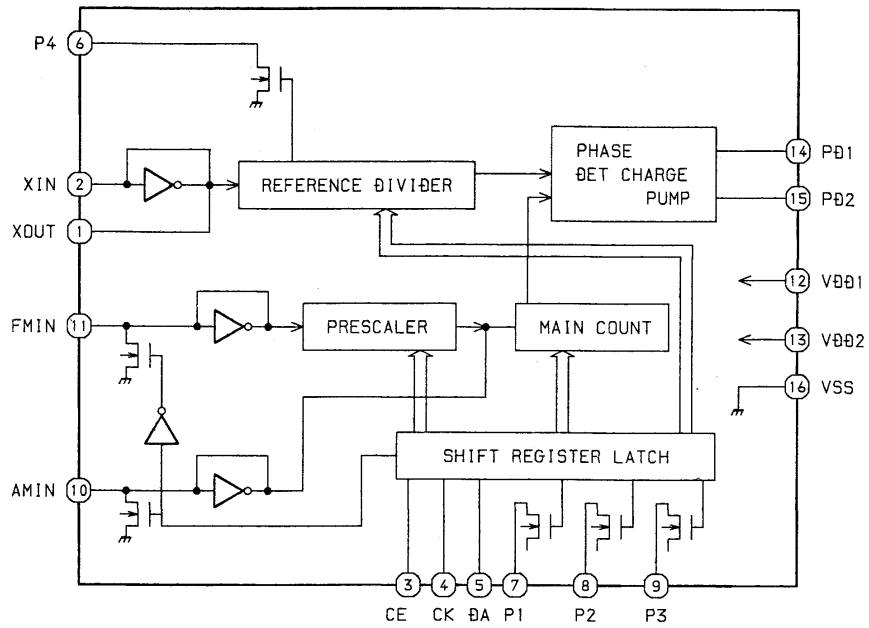
INPUT SELECTOR LOGIC TABLE

SELECTOR		INPUT
L (2P IN)	R (3P IN)	
L	L	UNDETERMINED
L	H	L IN
H	L	R IN
H	H	OFF

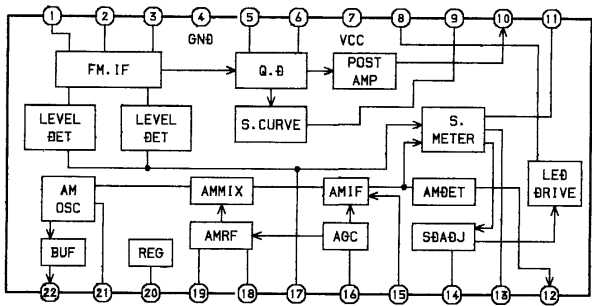
OUTPUT SELECTOR LOGIC TABLE

SELECT			OUTPUT
A (5P IN)	B (6P IN)	C (7P IN)	VO (9P IN)
H	H	H	0
L	H	H	F01
H	L	H	F02
L	L	H	F03
H	H	L	F04
L	H	L	F05
H	L	L	F06
L	L	L	F07

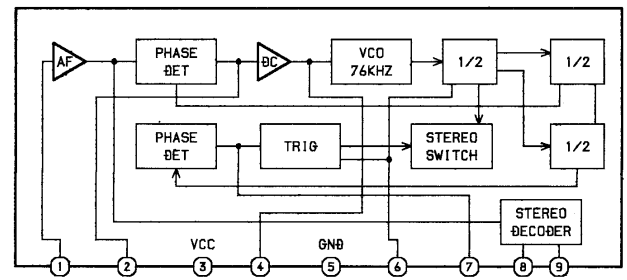
IC,BU2611



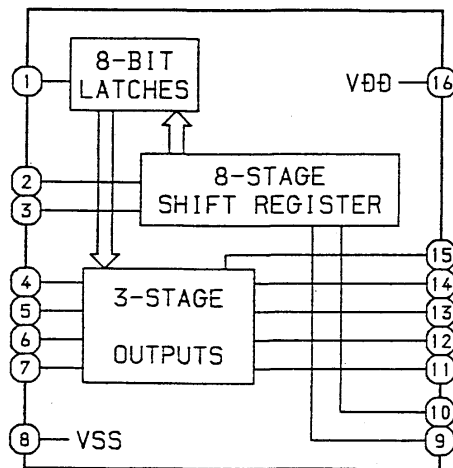
IC,LA1265S



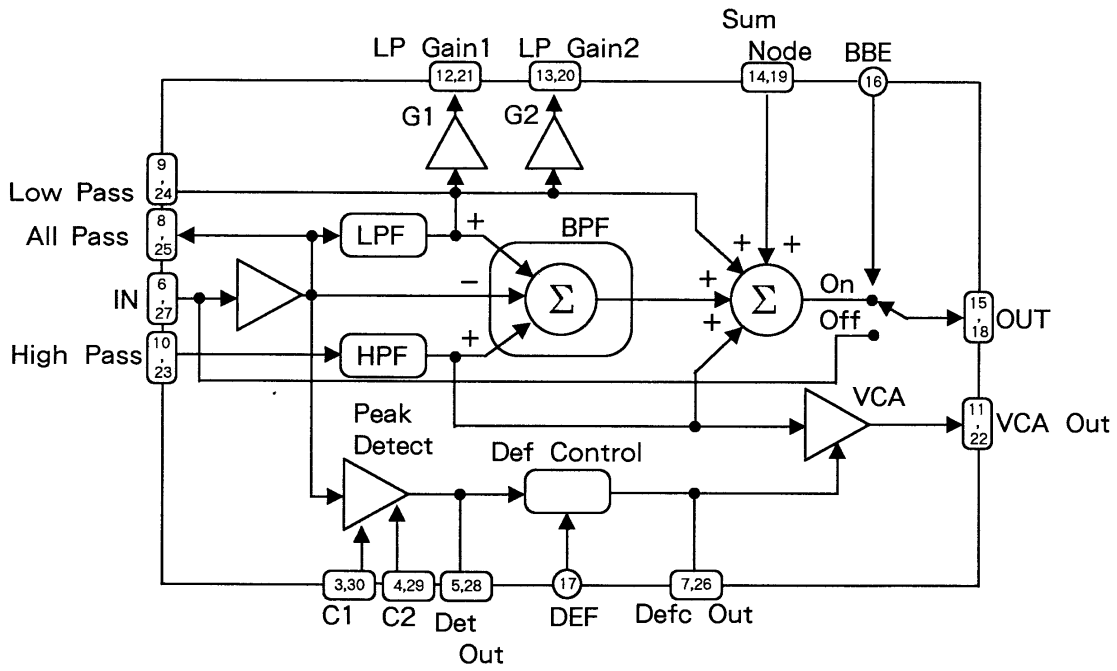
IC,TA7343AP



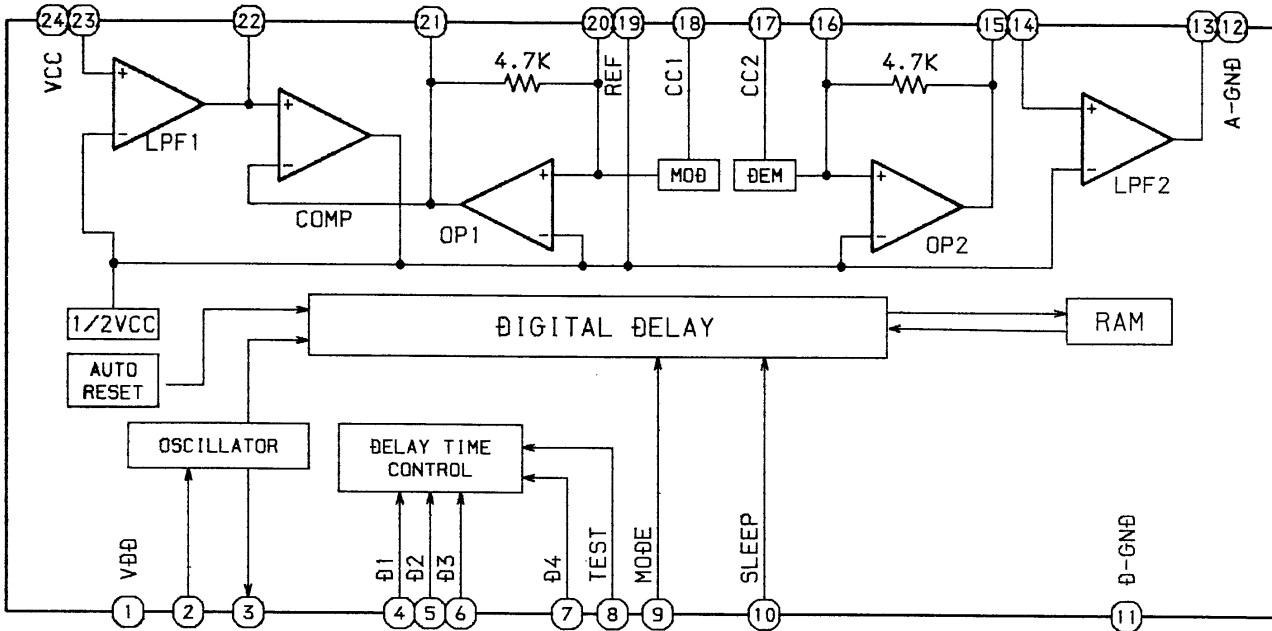
IC,TC4094BF



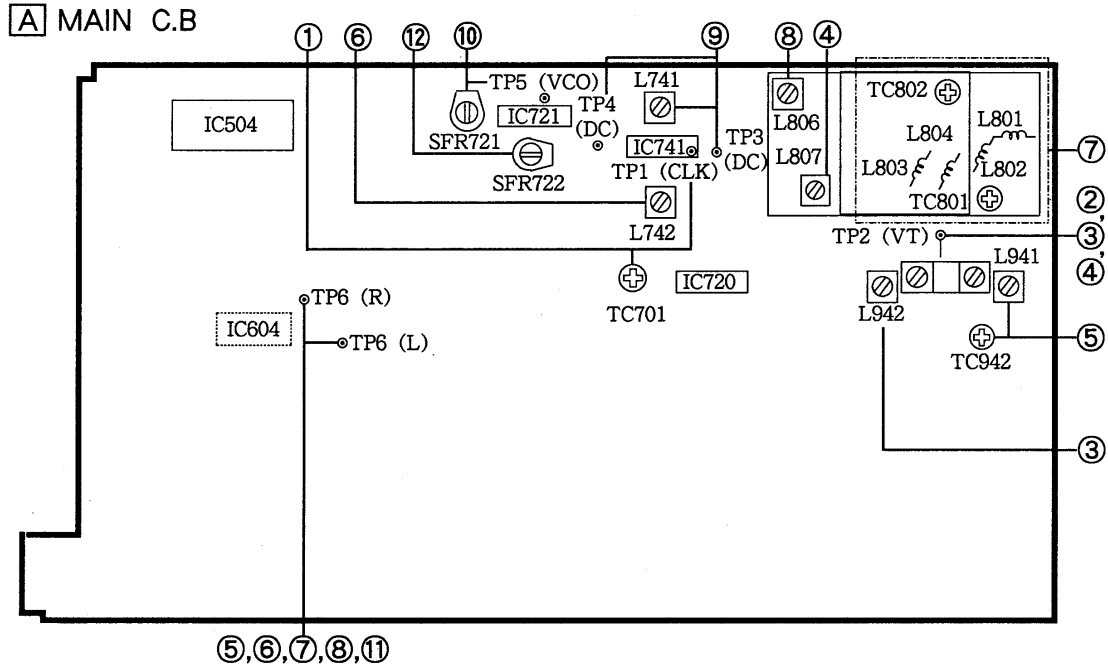
IC,XR - 1071CP



IC,M65831



ELECTRICAL ADJUSTMENT (TUNER)



<TUNER SECTION>

Initialized condition

- GEQ VR : OFF
- BBE SW : OFF
- MIC VR : Minimum
- BALANCE : Center
- MAIN VR : Variable
- DOLBY NR SW : OFF
- T - BASS : OFF

1. Clock Adjustment

- Settings : • Test point : TP1 (IC741 PIN 22)
• Adjustment location : TC701
- Method : Set to MW 1602kHz (HE,HR,E,K,Z)
1710KHz (LH,U) and adjust so that
the test point becomes 2052kHz \pm 0.01kHz
(HE,HR,E,K,Z), 2160kHz \pm 0.01kHz (LH,U).

2. MW VT Check

- Settings : • Test point : TP2
- Method : Set to MW 1602kHz (HE,HR,E,K,Z)
1710kHz and check so that the test point
is 6.0V \pm 1.0V (HE,HR,E,K,Z), 7.0 \pm 1.0V
(LH,U).

3. LW VT Adjustment (E,K,Z ONLY)

- Settings : • Test point : TP2
• Adjustment location : L942
- Method : Set to LW 144kHz and adjust so that the
test point becomes 1.50V \pm 0.05V.

4. FM VT Adjustment

- Settings : • Test point : TP2
• Adjustment location : L807
- Method : Set to FM 87.5MHz and adjust L807
so that the test point becomes
2.90V \pm 0.05V.

5. LW Tracking Adjustment (E,K,Z ONLY)

- Settings : • Test point : TP6 (IC604 PIN 4,11)
L941 144kHz
TC942 290kHz
- Method : Set up TC942 to center before
adjustment. The level of 144kHz is
adjusted MAX by L941. Then the level of
290kHz is done by TC941.

6. MW IF Adjustment

- Settings : • Test point : TP6 (IC604 PIN 4,11)
L742 450kHz

7. FM Tracking Adjustment

- Settings : • Test point : TP6 (IC604 PIN 4,11)
TC801,TC802 108MHz (Except Z)
TC803 108MHz (Z)
L802,L804 87.5MHz (Except Z)
L831 87.5MHz (Z)

PRACTICAL SERVICE FIGURE (TUNER)

8. FM IF Adjustment

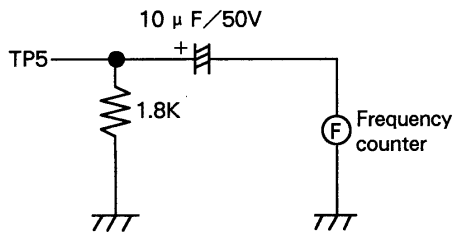
Settings : • Test point : TP6 (IC604 PIN 4,11)
L806 10.7MHz

9. DC Balance Adjustment

Settings : • Test point : TP3,4 TP6 (Distortion)
• Adjustment location : L741
Method : Set to FM 98.0MHz and adjust L741 so that the voltage between TP3 and TP4 becomes $0V \pm 0.02V$.
Next check so that the distortion is less than 0.9%.

10. MPX VCO Adjustment

Settings : • Test point : TP5
• MODE SW : STEREO
• Adjustment location : SFR721
Method : Connect a capacitor and resistor as below.
Set to FM 98.0MHz non modulation and adjust so that the frequency at the test point becomes $38kHz \pm 0.05kHz$.



11. Separation Check

Settings : • Test point : TP6 (IC604 PIN 4,11)
Method : Set to FM 98.0MHz and check the separation at TP6 is more than 25dB.

12. Light on tuning LED Adjustment

Settings : • Adjustment location : SFR722
• Input level : 16dB
Method : Set to FM 98.0MHz and adjust TUNNING LED to light on by SFR722. After that, LED goes out by 2dB down.

TUNER SECTION

< FM SECTION >

IHF Sensitivity : 2dB \pm 6dB (87.5MHz)
8dB \pm 6dB (87.5MHz) (Z model)
(THD 3%) 2dB \pm 6dB (98.0MHz)
7dB \pm 6dB (98.0MHz) (Z model)
2dB \pm 6dB (108.0MHz)
7dB \pm 6dB (108.0MHz)
(Z model)

S/N 50dB Quieting sensitivity :
32dB \pm 5dB
37dB \pm 6dB (Z model)
(46dB Z MODEL) Less than 44dB
(87.5/90.0/108.0MHz)
Signal to noise ratio : (MONO) More than 72dB
(98.0MHz)
(STEREO) More than 64dB
More than 64dB
(Z model)
(98.0MHz)

Distortion : (MONO) Less than 0.9%
(98.0MHz)
(STEREO) Less than 1.2%
(98.0MHz)
Stereo separation : More than 25dB (98.0MHz)
Intermediate frequency : 10.7MHz

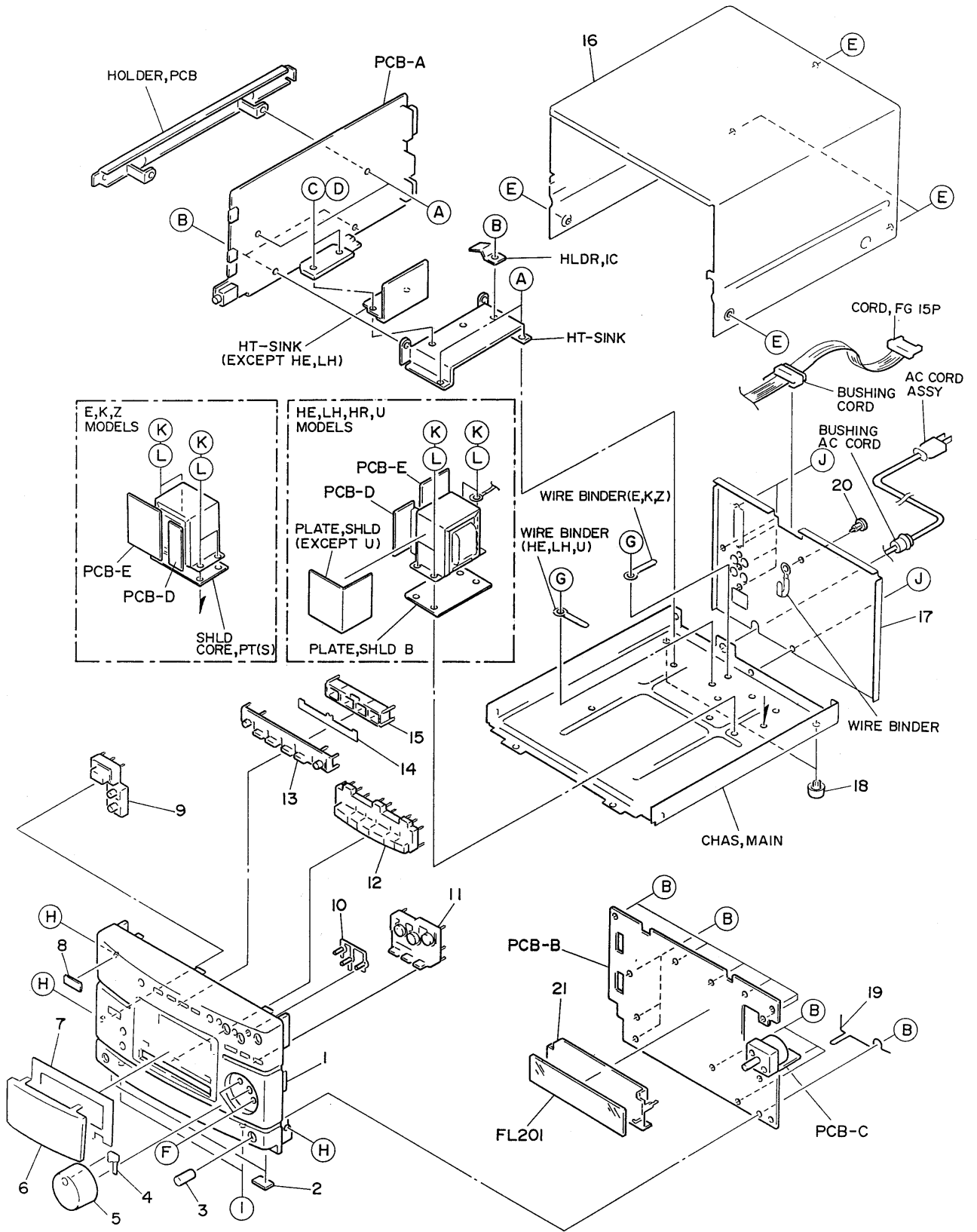
< AM (MW) SECTION >

Sensitivity : 54dB \pm 6dB (603kHz)
(S/N 20dB) 53dB \pm 6dB (999kHz)
53dB \pm 6dB (1404kHz)
Distortion : Less than 1.5% (999kHz)
Stereo separation : More than 12dB (400Hz)
Intermediate frequency : 450kHz

< LW SECTION > (E,K,Z)

Sensitivity : 66dB \pm 5dB (144kHz)
(S/N 20dB) 63dB \pm 5dB (198kHz)
62dB \pm 5dB (290kHz)
Distortion : Less than 1.5% (198kHz)
Intermediate frequency : 450kHz

MECHANICAL EXPLODED VIEW 1/1 (RX - N606/N603)



MECHANICAL PARTS LIST 1/1 (RX - N606/N603)

DESCRIPTIONで判断できない物は“REFERENCE NAME LIST”を参照してください。
If can't understand for Description please kindly refer to “REFERENCE NAME LIST”.

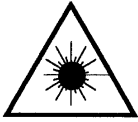
REF. NO	PART NO.	カフリ NO.	DESCRIPTION	REF. NO	PART NO.	カフリ NO.	DESCRIPTION
1	82-NT3-039-010		CAB, FR 603[B] (603U)	17	82-NT3-020-010		PANEL, REAR HRJBN[B] (HR)
1	82-NT3-019-010		CAB, FR E GLD[N] (K, Z, EE)	17	82-NT3-023-010		PANEL, REAR KBNE[N] (K)
1	82-NT3-025-010		CAB, FR EX[B] (Z, K, EE, E)	17	82-NT3-045-010		PANEL, REAR KBN[B] (K)
1	82-NT3-014-010		CAB, FR H[B] (HE, HR)	17	82-NT3-031-010		PANEL, REAR LHJBN[B] (LH)
1	82-NT3-030-010		CAB, FR LH[B] (LH)	17	82-NT3-040-010		PANEL, REAR UBN 603[B] (603U)
1	82-NT3-003-010		CAB, FR U[B] (U)	17	82-NT3-021-010		PANEL, REAR UBN[B] (U)
2	80-VT1-202-010		FELT, 12.5-15.5-2	17	82-NT3-046-010		PANEL, REAR ZBN[B, N] (Z)
3	80-MT3-014-010		KNOB, MIC	18	87-085-213-010		FOOT, H12.5
4	82-NE6-016-010		IND, MAIN (VOL)	19	82-NT3-203-010		SPR-T, EARTH
5	82-NF5-012-010		KNOB VOL[B]	20	87-084-077-010		NYLON RIVET DIA 3.5 - 4.5
5	82-NE8-084-010		KNOB, VOL G[N]	21	82-NF5-212-010		GUIDE FL
6	82-NT3-011-010		WINDOW, DISPLAY	A	87-067-688-010		BVTT +3-6
7	82-NT3-027-010		SH, WINDOW[N]	B	87-067-703-010		BVT2+3-10 (W/O SLOT)
8	81-DS1-011-010		BADGE, AIWA N	C	87-067-698-010		BVT 2+3-18 [B] (EXCEPT HE, LH)
9	82-NT3-037-010		KEY, POWER 603[B] (603U)	D	87-067-581-010		BVT2+3-15 W/O SLOT [B] (HE, LH)
9	82-NT3-005-010		KEY, POWER[B] (EXCEPT 603U)	E	87-067-641-010		UTT2+3-8 W/O SLOT BLK
10	82-NT3-010-010		IND, DSP	F	87-067-579-010		BVT2+3-8 W/O SLOT
11	82-NT3-008-010		KEY, GE	G	87-067-585-010		BVTT +4-6
12	82-NT3-007-010		KEY, OPE	H	87-591-094-410		QIT + 3 - 6 GOLD
13	82-NT3-006-010		KEY, FUN	I	87-067-673-010		BVTT +3-8 BLK
14	82-NT3-012-010		SH, FUN	J	87-067-761-010		BVT2+3-10 BLK
15	82-NT3-201-010		GUIDE, FUN	K	87-067-586-010		BVTT +4-8
16	82-NT3-047-010		CAB, STEEL E GLD[N] (Z, EE)	L	87-422-308-010		SW4
16	82-NT3-017-010		CAB, STEEL G GLD[N] (K)				
16	82-NT3-016-010		CAB, STEEL G[B] (E)				
16	82-NT3-033-010		CAB, STEEL HR[B] (HR)				
16	82-NT3-004-010		CAB, STEEL [B] (HE, LH, U, 603U, Z, K, EE)				
17	82-NT3-032-010		PANEL, REAR EBNE[B] (E)				
17	82-NT3-044-010		PANEL, REAR EBN[B, N] (EE)				
17	82-NT3-015-010		PANEL, REAR HEJBN[B] (HE)				

PROTECTION OF EYES FROM LASER BEAM DURING SERVICING

This set employs laser. Therefore, be sure to follow carefully the instructions below when servicing.

WARNING!!

WHEN SERVICING, DO NOT APPROACH THE LASER EXIT WITH THE EYE TOO CLOSELY. IN CASE IT IS NECESSARY TO CONFIRM LASER BEAM EMISSION, BE SURE TO OBSERVE FROM A DISTANCE OF MORE THAN 30cm FROM THE SURFACE OF THE OBJECTIVE LENS ON THE OPTICAL PICK-UP BLOCK.



- Caution: Invisible laser radiation when open and interlocks defeated avoid exposure to beam.
- Advarsel: Usynlig laserstråling ved åbning, når sikkerhedsafbrydere er ude af funktion. Undgå udsættelse for stråling.

VAROITUS!

Laiteen Käyttäminen muulla kuin tässä käyttöohjeessa mainitulla tavalla saattaa altistaa käyt-täjän turvallisuusluokan 1 ylittävälle näkymättömälle lasersäteilylle.

WARNING!

Om apparaten används på annat sätt än vad som specificeras i denna bruksanvisning, kan användaren utsättas för osynlig laserstråling, som överskrider gränsen för laserklass 1.

CAUTION

Use of controls or adjustments or performance of procedures other than those specified herein may result in hazardous radiation exposure.

ATTENTION

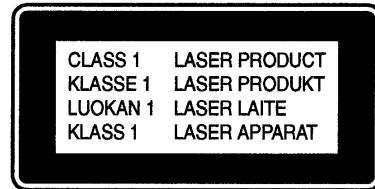
L'utilisation de commandes, réglages ou procédures autres que ceux spécifiés peut entraîner une dangereuse exposition aux radiations.

ADVARSEL!

Usynlig laserstråling ved åbning, når sikkerhedsafbrydere er ude af funktion. Undgå udsættelse for stråling.

This Compact Disc player is classified as a CLASS 1 LASER product.

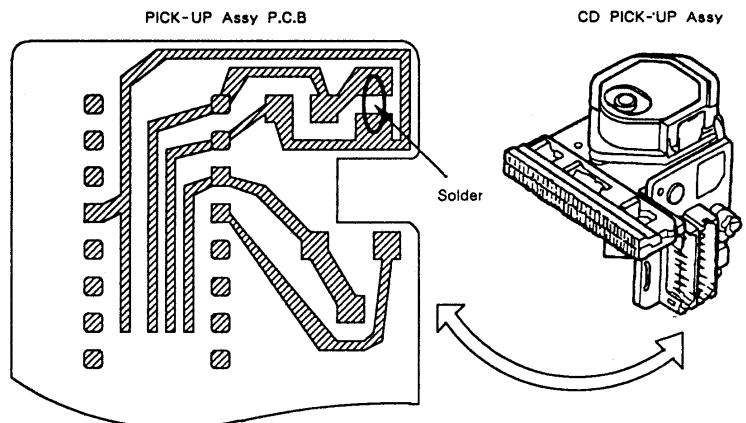
The CLASS 1 LASER PRODUCT label is located on the rear exterior.



Precaution to replace Optical block (KSS - 210A)

Body or clothes electrostatic potential could ruin laser diode in the optical block. Be sure ground body and workbench, and use care the clothes do not touch the diode.

- 1) After the connection, remove solder shown in the right figure.



ELECTRICAL MAIN PARTS LIST

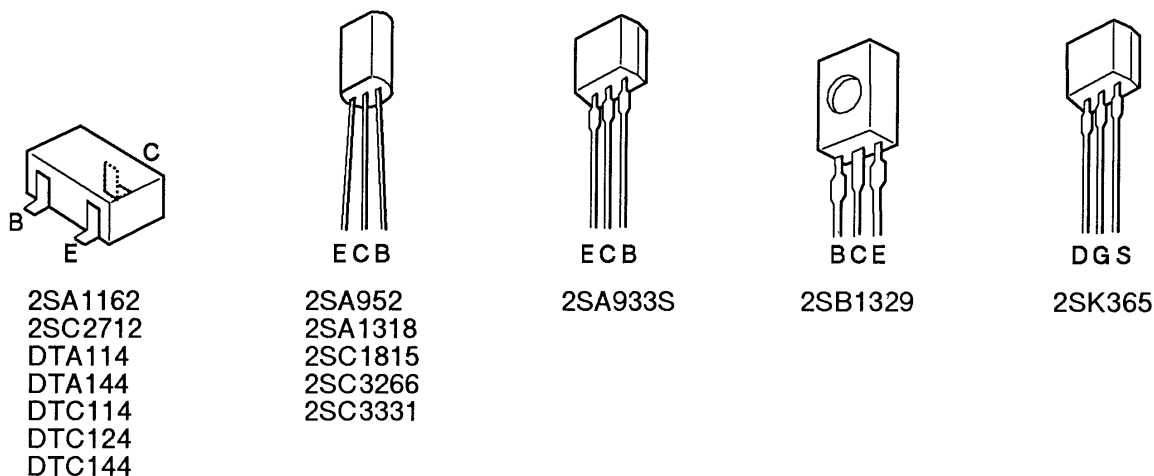
DESCRIPTIONで判断できない物は“REFERENCE NAME LIST”を参照してください。
 If can't understand for Description please kindly refer to “REFERENCE NAME LIST”.

REF. NO	PART NO.	カブリ NO.	DESCRIPTION	REF. NO	PART NO.	カブリ NO.	DESCRIPTION
IC				C305	87-010-197-089		C-CAP, S 0.01-25 B
	87-020-793-080	IC, CXA-1081M		C306	87-010-197-089		C-CAP, S 0.01-25 B
	87-020-794-110	IC, CXA-1082BQ		C307	87-010-182-089		C-CAP, S 2200P-50 B
	87-001-944-010	IC, CXD-1167Q		C308	87-010-182-089		C-CAP, S 2200P-50 B
	87-017-429-080	IC, TDA1311A(T)		C309	87-010-186-089		C-CAP, S 4700P-50 B
	87-002-639-080	IC, BA6296FP		C310	87-010-186-089		C-CAP, S 4700P-50 B
	87-002-394-019	IC, LB1641		C311	87-010-177-089		C-CAP, S 820P-50 SL
	87-017-194-010	IC, PLT104		C312	87-010-177-089		C-CAP, S 820P-50 SL
	87-020-758-019	IC, NJM2068SD		C313	87-010-401-089		CAP, E 1-50 SME
	87-001-607-089	IC, NJM4558M		C314	87-010-401-089		CAP, E 1-50 SME
	87-001-874-019	IC, HA12134A		C401	87-012-156-089		C-CAP, S 220P CH
	87-002-282-019	IC, BU4066B		C402	87-012-156-089		C-CAP, S 220P CH
	82-NV3-630-010	IC, LC865012A		C403	87-010-178-089		C-CAP, S 1000P-50 B
				C405	87-010-260-089		CAP, E 47-25 SME
				C406	87-010-197-089		C-CAP, S 0.01-25 B
TRANSISTOR				C407	87-010-183-089		C-CAP, S 2700P-50 B
	89-109-521-089	TR, 2SA952K		C408	87-010-183-089		C-CAP, S 2700P-50 B
	87-026-233-089	TR, DTA114TK		C409	87-010-183-089		C-CAP, S 2700P-50 B
	87-026-237-089	C-TR, DTC124XK		C410	87-010-196-089		C-CAP, S 0.1-25 F
	89-113-187-889	TR, 2SA1318TU		C411	87-010-192-089		C-CAP, S 0.022-50 F
	89-213-292-089	TR, 2SB1329Q		C501	87-012-142-089		C-CAP, S 0.33-16 F
	89-327-124-089	C-TR, 2SC2712Y		C502	87-012-142-089		C-CAP, S 0.33-16 F
	89-333-317-089	TR, 2SC3331T		C503	87-010-178-089		C-CAP, S 1000P-50 B
	87-026-213-089	C-TR, DTC114YK T147		C504	87-010-178-089		C-CAP, S 1000P-50 B
	87-026-211-089	C-TR, DTA144EK T147		C505	87-010-179-089		C-CAP, S 1200P-50 B
	87-026-210-089	C-TR, DTC144EK T147		C506	87-010-179-089		C-CAP, S 1200P-50 B
	89-503-656-089	TR, FET 2SK365-BL		C507	87-010-401-089		CAP, E 1-50 SME
	89-327-125-089	C-TR, 2SC2712GR		C508	87-010-401-089		CAP, E 1-50 SME
	89-111-625-089	C-TR, 2SA1162GR		C509	87-010-545-089		CAP, E 0.22-50 SME
	89-318-155-089	TR, 2SC1815GR		C510	87-010-545-089		CAP, E 0.22-50 SME
	89-332-665-089	TR, 2SC3266GR		C511	87-010-371-089		CAP, E 470-6.3
	87-026-230-089	C-TR, DTA114YK		C512	87-018-134-089		CAP, TC-U 0.01-16 Y
				C513	87-010-318-089		C-CAP, S 47P-50 CH
				C514	87-010-197-089		C-CAP, S 0.01-25 B
				C515	87-010-400-089		CAP, E 0.47-50 SME
DIODE				C516	87-010-405-089		CAP, E 10-50 SME
	87-002-836-089	DIODE, 1A3-J		C519	87-010-401-089		CAP, E 1-50 SME
	87-020-465-089	DIODE, 1SS133 T-72		C520	87-010-401-089		CAP, E 1-50 SME
	87-002-564-089	DIODE, 1SS133RA		C521	87-010-197-089		C-CAP, S 0.01-25 B
	87-017-091-059	ZENER, HZS5C1 RA		C522	87-010-184-089		C-CAP, S 3300P-50 B
	87-017-163-059	ZENER, HZS9A1L RA		C601	87-010-235-089		CAP, E 470-16 SME
	87-020-125-089	C-DIODE, 1SS181		C602	87-010-381-089		CAP, E 330-16 SME
	87-001-290-089	ZENER, HZS6B1L		C603	87-010-101-089		CAP, E 220-16 SME
	87-017-150-089	ZENER, HZS6A3L		C604	87-010-980-089		CAP, E 330-16 FS
				C605	87-010-263-089		CAP, E 100-10
DECK C. B				C606	87-018-134-089		CAP, TC-U 0.01-16 Y
C101	87-012-156-089	C-CAP, S 220P CH		C901	87-010-197-089		C-CAP, S 0.01-25 B
C102	87-012-156-089	C-CAP, S 220P CH		C902	87-010-402-089		CAP, E 2.2-50 SME
C103	87-010-197-089	C-CAP, S 0.01-25 B		C903	87-010-178-089		C-CAP, S 1000P-50 B
C104	87-010-197-089	C-CAP, S 0.01-25 B		C905	87-010-186-089		C-CAP, S 4700P-50 B
C105	87-010-426-089	C-CAP, S 0.012-25 B		C906	87-010-186-089		C-CAP, S 4700P-50 B
C106	87-010-426-089	C-CAP, S 0.012-25 B		EM1601	87-008-474-089		F-BEAD, EMI BLO2RN1
C107	87-010-189-089	C-CAP, S 8200P-50 B		EM1602	87-008-474-089		F-BEAD, EMI BLO2RN1
C108	87-010-189-089	C-CAP, S 8200P-50 B		EM1603	87-008-474-089		F-BEAD, EMI BLO2RN1
C109	87-010-192-089	C-CAP, S 0.022-50 F		L301	87-005-525-089		COIL, 22MH-J
C201	87-012-154-089	C-CAP, S 150P-50 CH		L302	87-005-525-089		COIL, 22MH-J
C202	87-012-154-089	C-CAP, S 150P-50 CH		L303	87-005-580-089		COIL, 10MHJ
C203	87-012-145-089	C-CAP, S 270P-50CH		L304	87-005-580-089		COIL, 10MHJ
C204	87-012-145-089	C-CAP, S 270P-50CH		L401	82-NV3-610-019		COIL, OSC BIAS 85K
C205	87-010-197-089	C-CAP, S 0.01-25 B		L402	87-005-126-089		COIL, 1MHJ
C206	87-010-197-089	C-CAP, S 0.01-25 B		SFR101	87-024-168-089		SFR, 1K DIA6 V
C207	87-010-213-089	C-CAP, S 0.015-25 B		SFR102	87-024-168-089		SFR, 1K DIA6 V
C208	87-010-213-089	C-CAP, S 0.015-25 B		SFR201	87-024-168-089		SFR, 1K DIA6 V
C209	87-010-189-089	C-CAP, S 8200P-50 B		SFR301	87-024-171-089		SFR, 4.7K DIA6 V
C210	87-010-189-089	C-CAP, S 8200P-50 B		SFR302	87-024-171-089		SFR, 4.7K DIA6 V
C301	87-012-154-089	C-CAP, S 150P-50 CH		SFR401	87-024-175-089		SFR, 47K DIA6 V
C302	87-012-154-089	C-CAP, S 150P-50 CH		SFR402	87-024-175-089		SFR, 47K DIA6 V
C303	87-010-402-089	CAP, E 2.2-50 SME		X901	87-030-264-089		CERA LOCK (MU) 12.0MHZ
C304	87-010-402-089	CAP, E 2.2-50 SME					

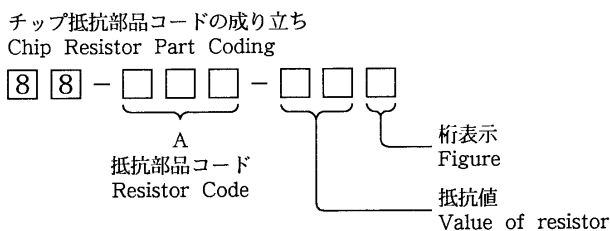
REF. NO	PART NO.	カソリ NO.	DESCRIPTION	REF. NO	PART NO.	カソリ NO.	DESCRIPTION
FRONT-1 C. B				C22	87-010-197-089		C-CAP, S 0.01-25 B
LED801	87-017-489-080		LED, SEL1450GM-YG TP5	C25	87-010-404-089		CAP, E 4.7-50 SME
LED802	87-017-489-080		LED, SEL1450GM-YG TP5	C27	87-010-382-089		CAP, E 22-25 SME
LED803	87-017-489-080		LED, SEL1450GM-YG TP5	C28	87-010-382-089		CAP, E 22-25 SME
LED804	87-017-489-080		LED, SEL1450GM-YG TP5	C29	87-010-403-089		CAP, E 3.3-50 SME
LED805	87-017-489-080		LED, SEL1450GM-YG TP5	C33	87-010-400-089		CAP, E 0.47-50 SME
LED806	87-017-489-080		LED, SEL1450GM-YG TP5	C35	87-010-178-089		C-CAP, S 1000P-50 B
SW801	87-036-215-089		SW, TACT EVQ21404M	C36	87-010-260-089		CAP, E 47-25 SME
SW802	87-036-215-089		SW, TACT EVQ21404M	C37	87-010-401-089		CAP, E 1-50 SME
SW803	87-036-215-089		SW, TACT EVQ21404M	C38	87-010-186-089		C-CAP, S 4700P-50 B
SW804	87-036-215-089		SW, TACT EVQ21404M	C39	87-010-401-089		CAP, E 1-50 SME
SW805	87-036-215-089		SW, TACT EVQ21404M	C40	87-010-197-089		C-CAP, S 0.01-25 B
FRONT-2 C. B				C42	87-010-318-089		C-CAP, S 47P-50 CH
SW806	87-036-215-089		SW, TACT EVQ21404M	C43	87-010-318-089		C-CAP, S 47P-50 CH
SW807	87-036-215-089		SW, TACT EVQ21404M	C44	87-010-314-089		C-CAP, S 22P-50 CH
SW808	87-036-215-089		SW, TACT EVQ21404M	C45	87-010-315-089		C-CAP, S 27P-50 CH
SW809	87-036-215-089		SW, TACT EVQ21404M	C51	87-010-197-089		C-CAP, S 0.01-25 B
DECK-1 C. B				C52	87-010-263-089		CAP, E 100-10
PIN901	87-009-350-019		CONN, 7P PH H	C53	87-010-318-089		C-CAP, S 47P-50 CH
SOL1	82-ZM1-618-010		SOL ASSY, 27	C54	87-010-318-089		C-CAP, S 47P-50 CH
SW4	87-036-110-010		SW, PUSH SPPB 62	C55	87-010-318-089		C-CAP, S 47P-50 CH
SW5	87-036-110-010		SW, PUSH SPPB 62	C56	87-010-196-089		C-CAP, S 0.1-25 F
SW6	87-036-110-010		SW, PUSH SPPB 62	C57	87-010-197-089		C-CAP, S 0.01-25 B
DECK-2 C. B				C61	87-010-197-089		C-CAP, S 0.01-25 B
M1	87-045-348-010		MOT, SHW 2L 70	C62	87-010-252-089		CAP, E(TAPG)1000-6.3V
PIN902	87-009-353-019		CONN, 10P PH H WHT	C65	87-010-402-089		CAP, E 2.2-50 SME
SFR1	87-024-170-080		SFR, 3.3K DIA 6V	C66	87-010-402-089		CAP, E 2.2-50 SME
SOL1	82-ZM1-618-010		SOL ASSY, 27	C69	87-010-178-089		C-CAP, S 1000P-50 B
SW1	87-036-110-010		SW, PUSH SPBB 62	C70	87-010-178-089		C-CAP, S 1000P-50 B
SW2	87-036-110-010		SW, PUSH SPBB 62	C80	87-010-196-089		C-CAP, S 0.1-25 F
SW3	87-036-110-010		SW, PUSH SPBB 62	C81	87-010-221-089		CAP, E 470-10
SW4	87-036-110-010		SW, PUSH SPBB 62	C82	87-010-197-089		C-CAP, S 0.01-25 B
SW5	87-036-110-010		SW, PUSH SPBB 62	C83	87-010-196-089		C-CAP, S 0.1-25 F
RERAY-1 C. B				C84	87-010-196-089		C-CAP, S 0.1-25 F
CON101	82-NV3-622-019		CONN ASSY, 3P HEAD 1	C85	87-010-196-089		C-CAP, S 0.1-25 F
RERAY-2 C. B				C86	87-010-248-089		CAP, E 220-10 SME
CON201	82-NV3-623-019		CONN ASSY, 6P HEAD 2	C87	87-010-197-089		C-CAP, S 0.01-25 B
CD C. B				C88	87-010-221-089		CAP, E 470-10
C2	87-010-146-089		C-CAP, S 2P-50 CH	C89	87-010-197-089		C-CAP, S 0.01-25 B
C3	87-010-154-089		C-CAP, S 10P-50 CH	C90	87-010-404-089		CAP, E 4.7-50 SME
C4	87-010-263-089		CAP, E 100-10	C100	87-010-260-089		CAP, E 47-25 SME
C5	87-010-178-089		C-CAP, S 1000P-50 B	C101	87-010-196-089		C-CAP, S 0.1-25 F
C6	87-010-382-089		CAP, E 22-25 SME	C104	87-010-197-089		C-CAP, S 0.01-25 B
C7	87-010-197-089		C-CAP, S 0.01-25 B	C105	87-010-196-089		C-CAP, S 0.1-25 F
C8	87-010-248-089		CAP, E 220-10 SME	C109	87-010-197-089		C-CAP, S 0.01-25 B
C9	87-010-193-089		C-CAP, S 0.033-25 F	C110	87-010-197-089		C-CAP, S 0.01-25 B
C10	87-010-188-089		C-CAP, S 6800P-50 B	C111	87-010-197-089		C-CAP, S 0.01-25 B
C11	87-010-188-089		C-CAP, S 6800P-50 B	C112	87-010-384-089		CAP, E 100-25 SME
C12	87-010-193-089		C-CAP, S 0.033-25 F	C113	87-010-322-089		C-CAP, S 100P-50 CH
C13	87-010-193-089		C-CAP, S 0.033-25 F	C114	87-010-322-089		C-CAP, S 100P-50 CH
C14	87-010-197-089		C-CAP, S 0.01-25 B	C115	87-010-318-089		C-CAP, S 47P-50 CH
C15	87-010-263-089		CAP, E 100-10	C116	87-012-156-089		C-CAP, S 220P CH
C16	87-010-197-089		C-CAP, S 0.01-25 B	C121	87-010-196-089		C-CAP, S 0.1-25 F
C17	87-010-248-089		CAP, E 220-10 SME	C131	87-010-404-089		CAP, E 4.7-50 SME
C18	87-010-400-089		CAP, E 0.47-50 SME	C132	87-010-197-089		C-CAP, S 0.01-25 B
C19	87-010-197-089		C-CAP, S 0.01-25 B	C151	87-010-318-089		C-CAP, S 47P-50 CH
C20	87-010-197-089		C-CAP, S 0.01-25 B	EM1	87-008-474-089		F-BEAD, EM1 BLO2RNT
C21	87-010-182-089		C-CAP, S 2200P-50 B	L1	87-003-295-089		COIL, 10UH
PHOTO C. B				L2	87-003-295-089		COIL, 10UH
				M2	87-045-305-019		MOTOR, RF-500TB
				R28	87-022-359-089		C-RES, S22K 1/10WF
				R29	87-022-359-089		C-RES, S22K-1/10WF
				SFR1	87-024-173-089		SFR, 22K DIA6 V
				SFR2	87-024-173-089		SFR, 22K DIA6 V
				SFR3	87-024-173-089		SFR, 22K DIA6 V
				SFR4	87-024-168-089		SFR, 1K DIA6 V
				X1	87-030-270-089		VIB, XTAL 16.9344MHZ

REF. NO	PART NO.	カソリ NO.	DESCRIPTION	REF. NO	PART NO.	カソリ NO.	DESCRIPTION
PH1	87-026-573-010		P-SNSR, GP1S53V				
UP/DOWN C. B				MOTOR-2 C. B			
SW1	87-036-271-010		SW, LVR 1-2-2	MISCELLANEOUS			
OPEN SW C. B				FC1	98-848-127-110		PICK UP KSS-210A
				FC2	82-NV3-628-019		CABLE FFC, 14P-1.25
				FC3	82-NV3-627-019		CABLE FFC, 7P-1.25
				FC4	82-NV3-626-019		CABLE FFC, 6P-1.25
					82-NV3-629-019		CABLE FFC, 4P-1.25
CLOSE SW C. B				LED701	87-020-109-019		LED, SLF-201C
				LED702	87-020-109-019		LED, SLF-201C
				PH	87-046-355-010		HEAD, PH HADKH2529B(D1)
				RPH	87-046-356-010		HEAD, RPH HADKH5581B(D2)
MOTOR-1 C. B							
M1	87-045-305-019		MOTOR, RF-500TB				

TRANSISTOR ILLUSTRATION



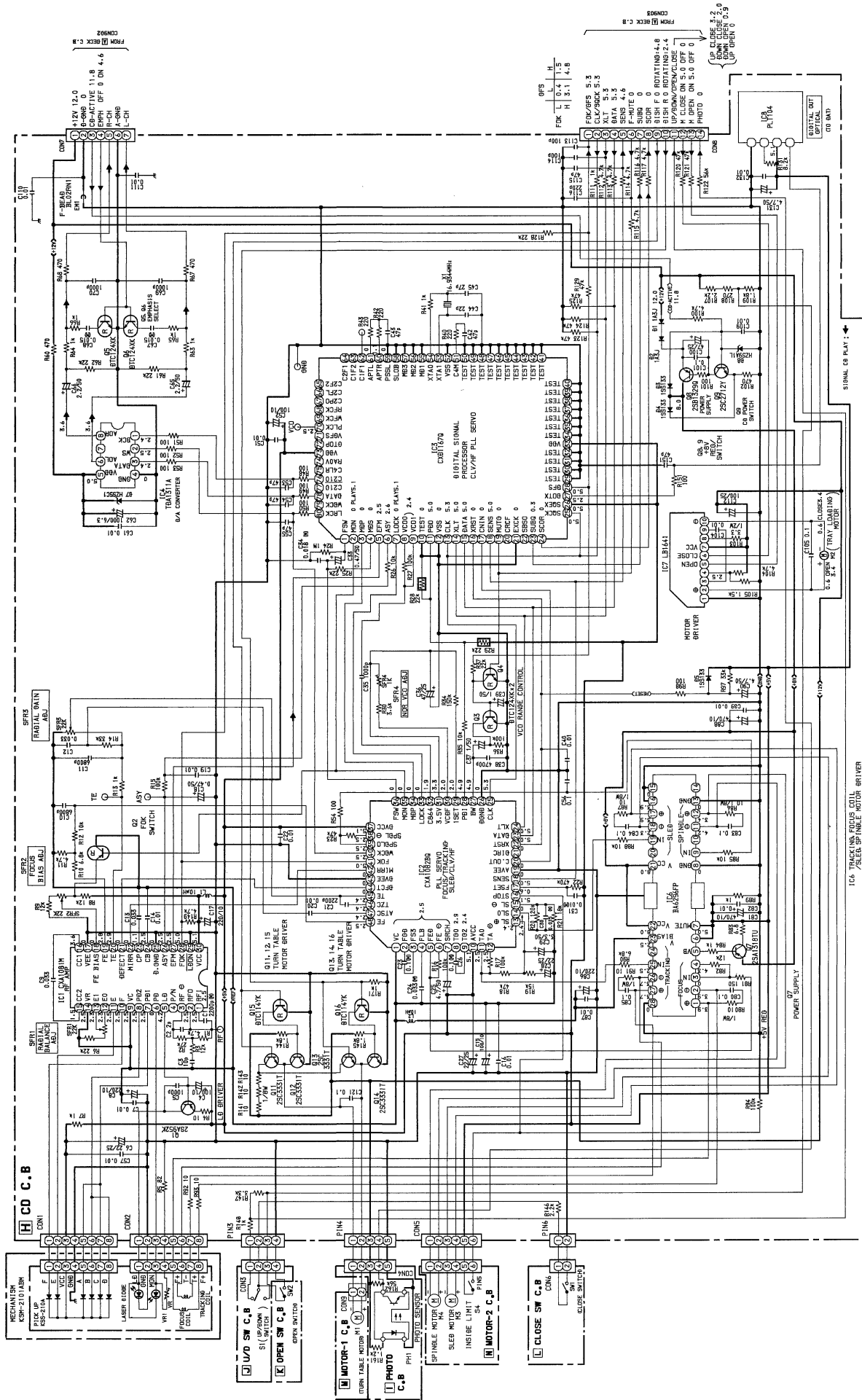
○ チップ抵抗部品コード/CHIP RESISTOR PART CODE



チップ抵抗
Chip resistor

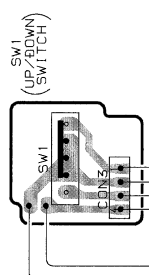
Wattage 容量	Type 種類	Tolerance 許容誤差	Symbol 記号	Dimensions/寸法 (mm)			Resistor Code : A 抵抗コード : A	
				Form/外形	L	W		t
1/32W	1608	± 5 %	CJ		1.6	0.8	0.35	108
1/10W	2125	± 5 %	CJ		2	1.25	1.45	118
1/8W	3126	± 5 %	CJ		3.2	1.6	0.5 ~0.7	128

SCHEMATIC DIAGRAM - 1 (CD)

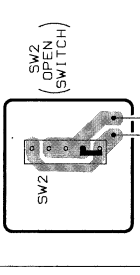


1 2 3 4 5 6 7 8 9 10 11 12 13 14

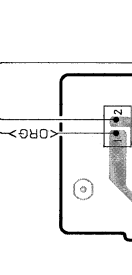
J UP/DOWN SW C.B



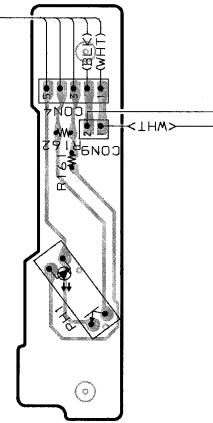
K OPEN SW C.B



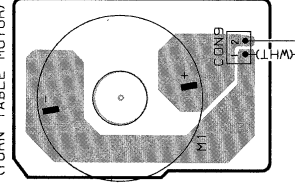
L CLOSE SW C.B



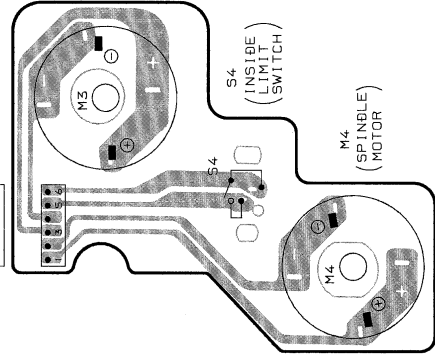
I PHOTO C.B



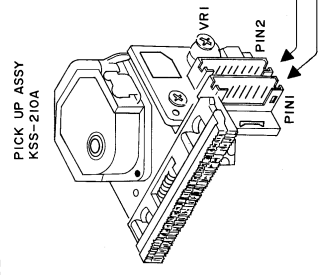
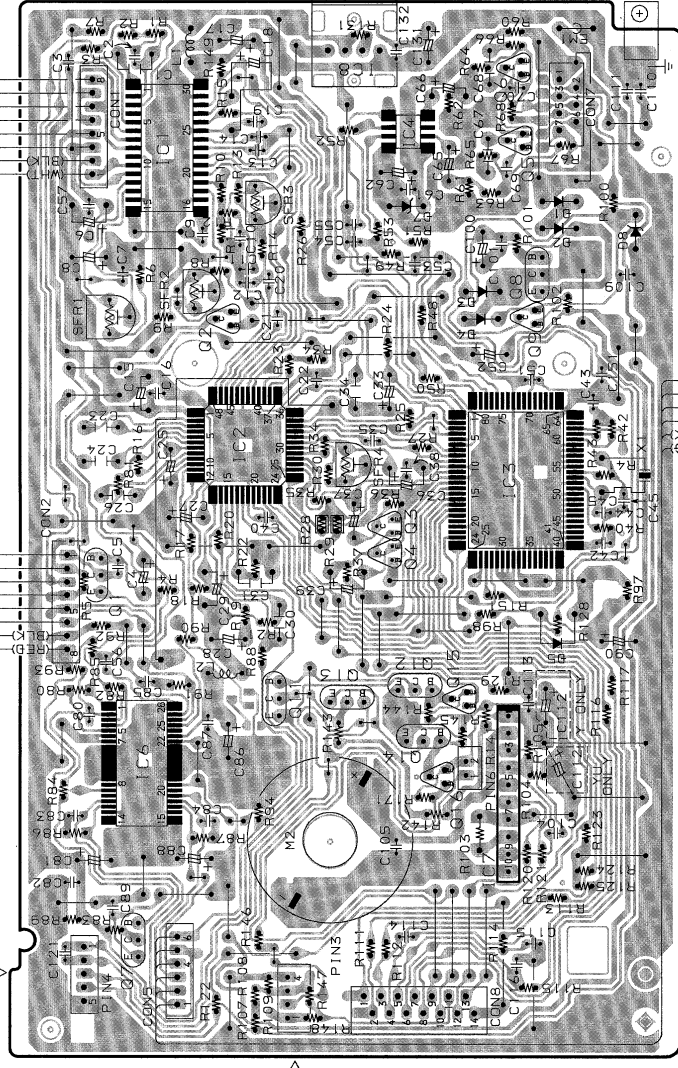
M MOTOR-1 C.B



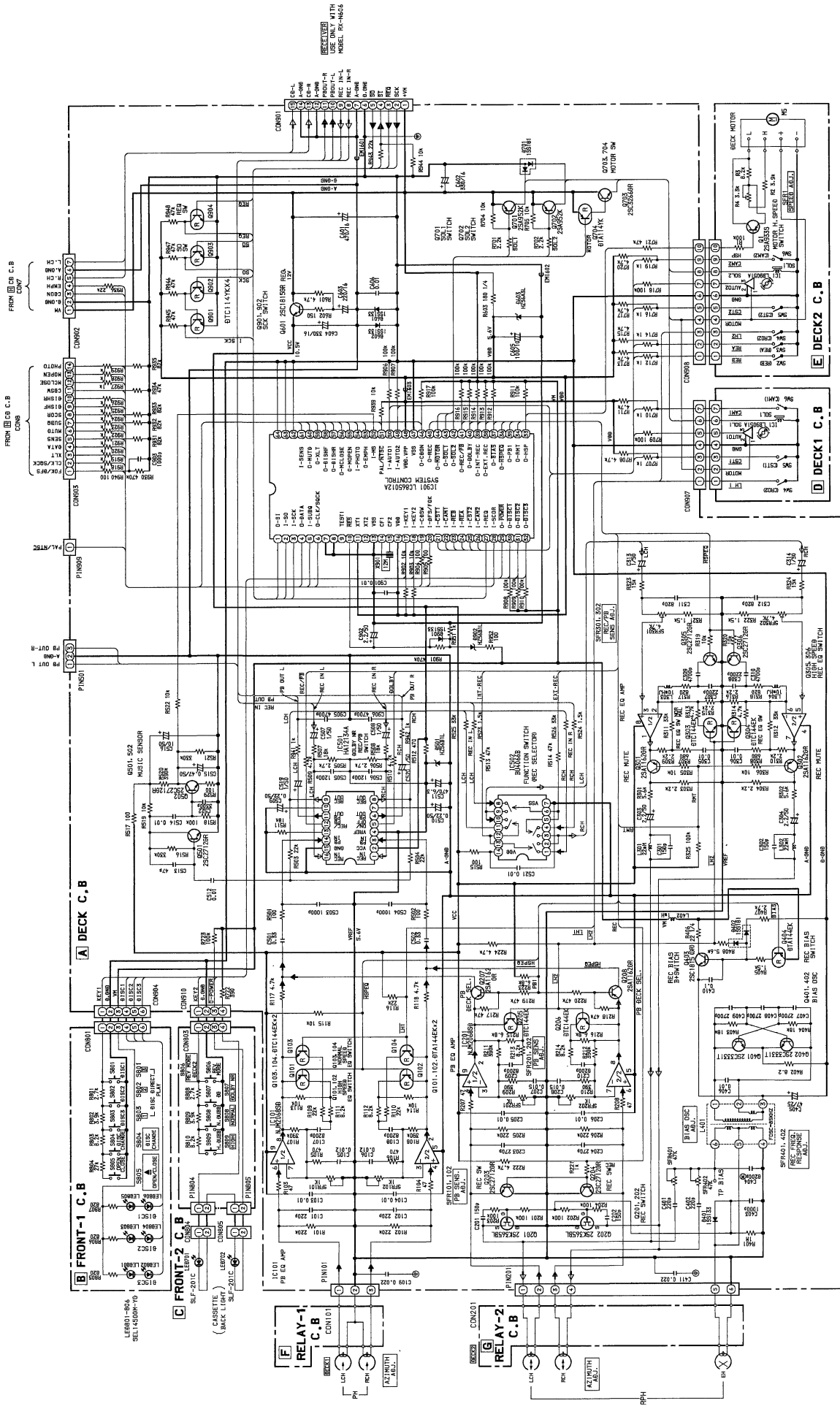
N MOTOR-2 C.B



H CD C.B

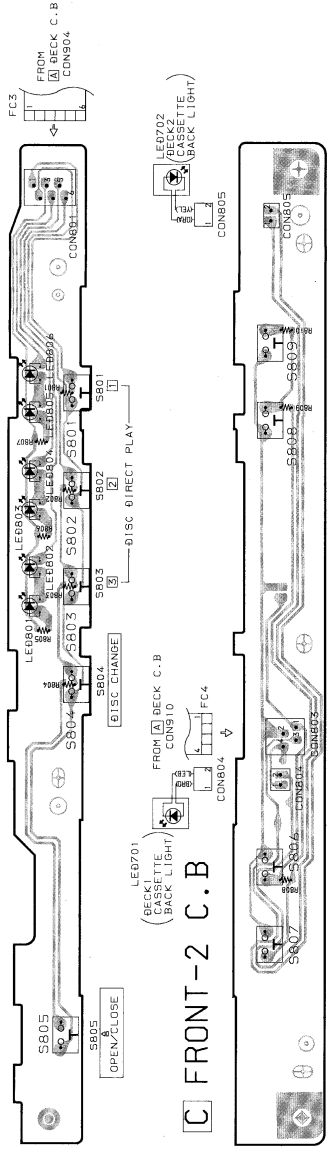


SCHEMATIC DIAGRAM - 2 (DECK)



1 2 3 4 5 6 7 8 9 10 11 12 13 14

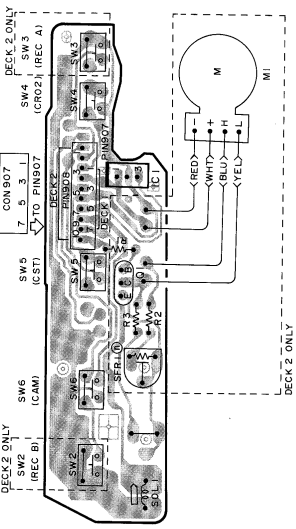
B FRONT-1 C.B.



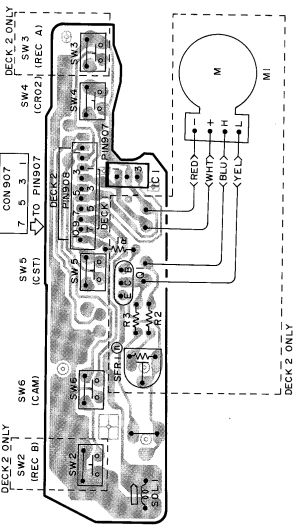
C FRONT-2 C.B.



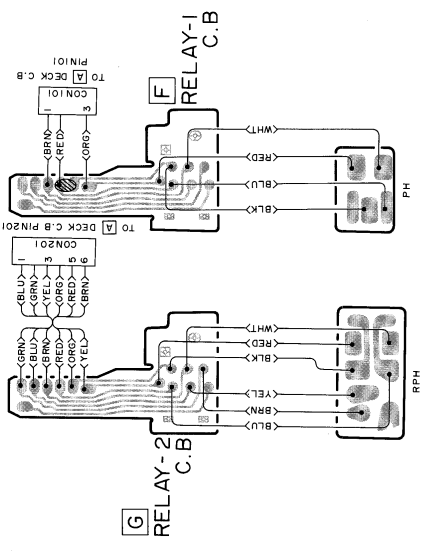
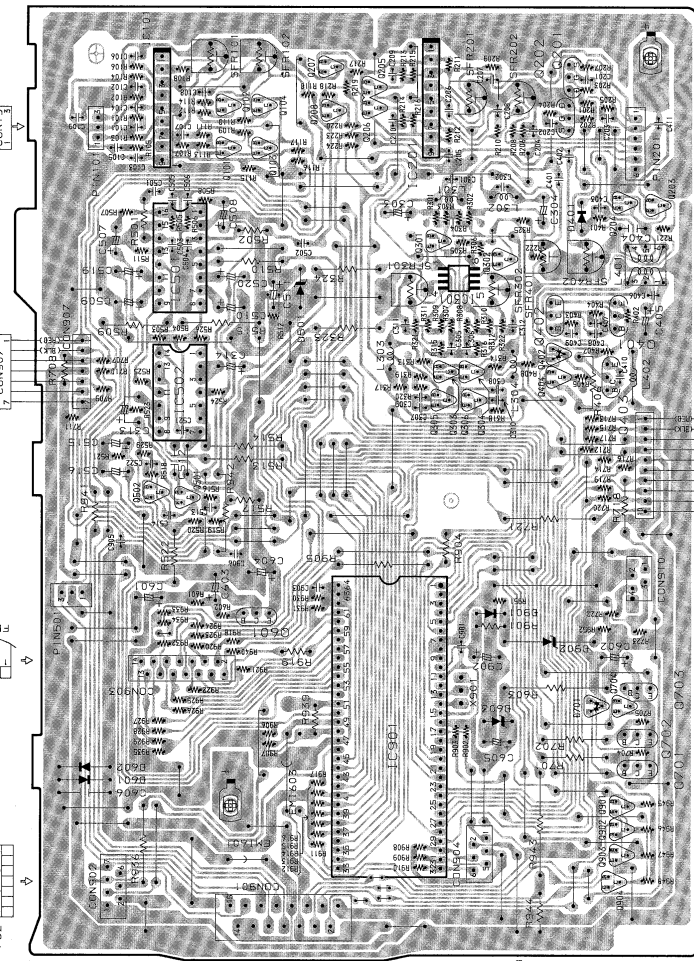
D DECK-1 C.B.



E DECK-2 C.B.



A DECK C.B.



IC DESCRIPTION

IC,LC865012A

Pin No.	Pin Name	I/O	Description
1	O-SI	O	Serial data output to uPD78044GF-036
2	I-SO	I	Serial data input from uPD78044GF-036
3	I-SCK	I	Serial clock input from uPD78044GF-036
4	O-DATA	O	Serial data output to CXD-1167
5	I-SUBQ	I	Sub-code input from CD
6	O-CLK/SQCK	O	Clock output to control CD
7	————	—	Not used (Connected to GND)
8	————	—	Not used (Connected to GND)
9	TEST1	—	Not used
10	$\overline{\text{RES}}$	I	Reset input
11	XT1	—	Connected to +5.6V
12	XT2	—	Not used
13	VSS	—	Connected to GND
14	CF1	I	Input pin for ceramic oscillator
15	CF2	O	Output pin for ceramic oscillator
16	VDD	—	Connected to +5.6V
17	I-KEY1	I	Key data is input in the form of A/D level
18	I-KEY2	I	Key data is input in the form of A/D level
19	I-CDSW	I	CD tray condition is input in the form of A/D level
20	I-GFS/FOK	I	Input from control CD
21	$\text{I}-\overline{\text{CST1}}$	I	Input from DECK-1 tape detector
22	$\text{I}-\overline{\text{CAM1}}$	I	Input from DECK-1 cam switch detector
23	$\text{I}-\overline{\text{REB}}$	I	Input from B side record safety claw detector
24	$\text{I}-\overline{\text{REA}}$	I	Input from A side record safety claw detector
25	$\text{I}-\overline{\text{CST2}}$	I	Input from DECK-2 tape detector
26	$\text{I}-\overline{\text{CAM2}}$	I	Input from DECK-2 cam switch detector
27	I-REQ	I	Data request input from uPD78044GF-036
28	$\text{I}-\overline{\text{SCOR}}$	I	Input from control CD
29	$\text{O}-\overline{\text{POWER}}$	O	Output to illuminate cassette.
30	$\text{O}-\overline{\text{DISC1}}$	O	Output to illuminate "1" button
31	$\text{O}-\overline{\text{DISC2}}$	O	Output to illuminate "2" button
32	$\text{O}-\overline{\text{DISC3}}$	O	Output to illuminate "3" button
33	O-HSP	O	High speed output to deck motor
34	O-RMT	O	Muting output to record amplifier
35	O-PB1	O	Selection between DECK-1 and DECK-2
36	$\text{O}-\overline{\text{HSPEQ}}$	O	Equalizer selection during high speed dubbing
37	$\text{O}-\overline{\text{BIAS}}$	O	Output to bias switch
38	O-EXT·REC	O	Selection of record amplifier input ("H" during record in the modes other than synchro-dubbing.)
39	O-INT·REC	O	Selection of record amplifier input ("H" during record in the modes other than synchro-dubbing.)

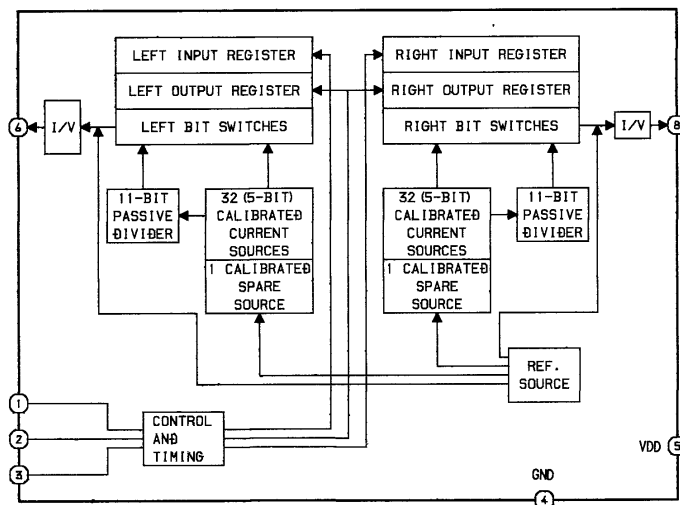
Pin No.	Pin Name	I/O	Description
40	O-DOLBY	O	Dolby selection (ON/OFF) output to Dolby IC
41	O-REC/PB	O	Output to Dolby IC for its input selection(REC/PB).
42	O-SOL2	O	Solenoid output to DECK-2
43	O-SOL1	O	Solenoid output to DECK-1
44	O-MOTOR	O	DECK motor output
45	O-REC	O	Output for shorting DECK-2 playback amplifier input during record.
46	O-CDON	O	Output to select power (ON/OFF) of CD circuit
47	VSS	—	Connected GND
48	VDD•VPP	—	Connected to +5.6V
49	I-AUTO2	I	Input from Hall IC detector of DECK-2
50	I-AUTO1	I	Input from Hall IC detector of DECK-1
51	PAL/NTSC	O	PAL/NTSC selection of CDG
52	I-MS	I	Input from music search detector
53	O-EMPH	O	Output to control CD
54	I-PHOTO	I	Input from control CD
55	O-MOPEN	O	CD tray OPEN output
56	O-MCLOSE	O	CD tray CLOSE output
57	O-DISHR	O	CD turntable reverse rotation output
58	O-DISHF	O	CD turntable forward rotation output
59	O-XLT	O	Output to control CD
60	O-MUTG	O	Output to control CD
61	I-SENS	I	Input to control CD
62		—	Not used (Connected GND)
63		—	Not used (Connected GND)
64		—	Not used (Connected GND)

See the NSX - 330 for the IC description below.

	FD - N606	NSX - 330
①	IC,CXD1167Q	IC,CXD1167Q
②	IC,CXA1081M	IC,CXA1081M
③	IC,CXA1082BQ	IC,CXA1082BQ

IC BLOCK DIAGRAM

IC,TDA1311

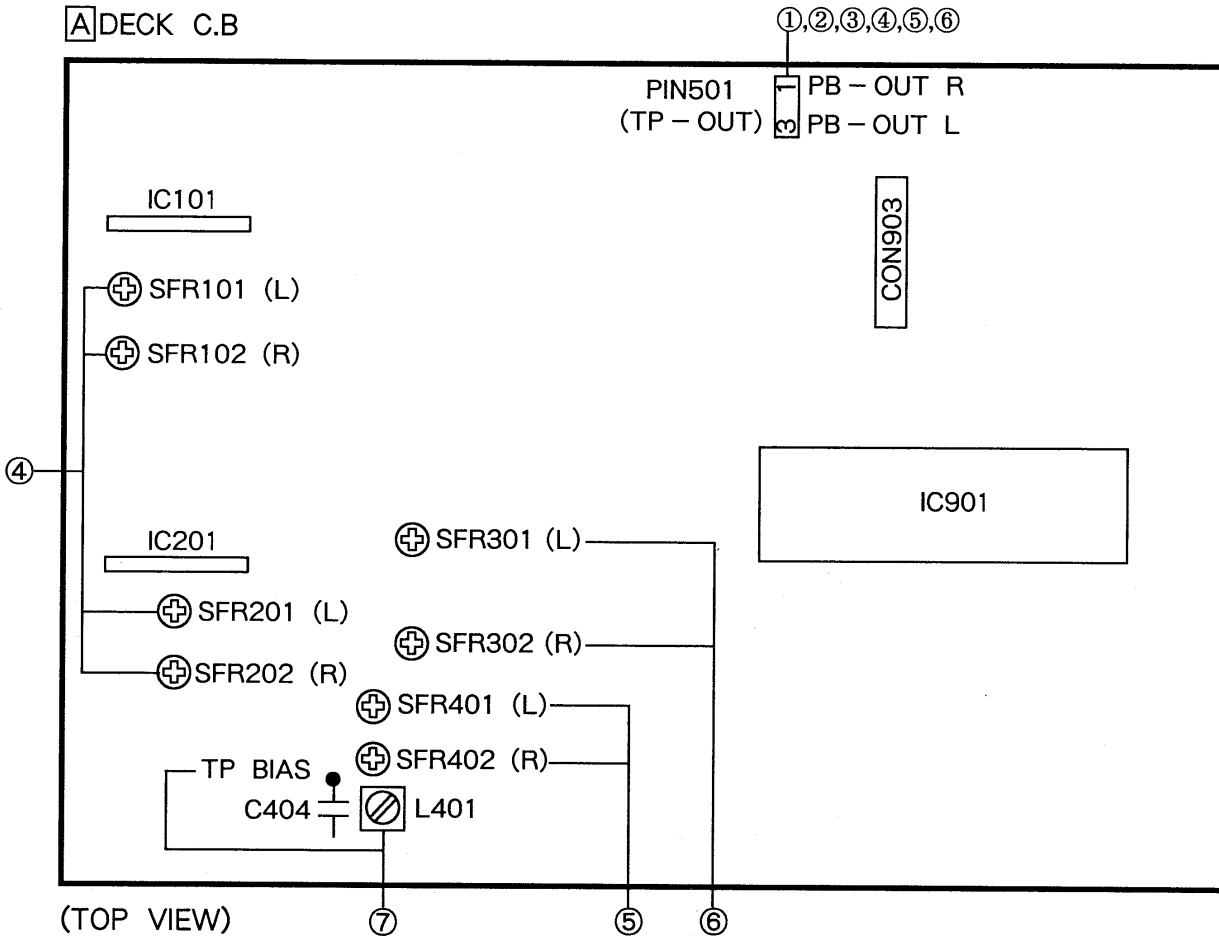


See the NSX - 330 for the IC Block Diagram below.

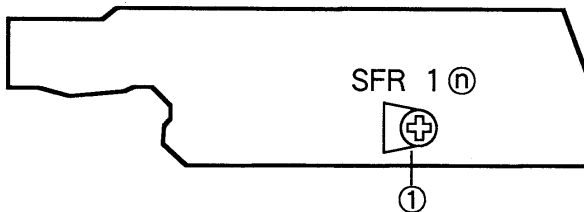
	FD - N606	NSX - 330
①	IC,BA6296FP	IC,BA6296FP
②	IC,HA12134A	IC,HA12134A
③	IC,LB1641	IC,LB1641

ELECTRICAL ADJUSTMENT (DECK)

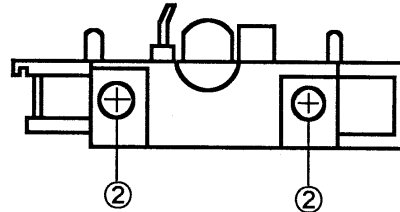
A DECK C.B



E DECK C.B



DECK 1P, DECK 2R/P/E HEAD



1. Tape Speed Adjustment

- Settings : • Test tape : TTA-100
 • Test point : TP CONN 3P (PIN501) ①,③
 • Adjustment location : SFR 1①

Method : Play back the test tape II DECK and adjust SFR 1① so that the frequency counter reads 3000Hz ± 5Hz.

2. Head Azimuth Adjustment

- Settings : • Test tape : TTA-310
 • Test point : TP CONN 3P (PIN501) ①,③
 • Adjustment location : Head azimuth adjustment screw

Method : Play back the 10kHz signal of the test tape and adjust so that the output becomes maximum. Next, perform on each FWD PLAY and REV PLAY mode.

3. PB Frequency Response Check

- Settings : • Test tape : TTA-310
 • Test point : TP CONN 3P (PIN501) ①,③
 Method : Play back the 315Hz and 10kHz signals of the test tape and check that the output ratio of the 10kHz signal is with respect to that of the 315Hz signal is ± 2dB.

4. PB Sensitivity Adjustment

- Settings : • Test tape : TTA-200
 • Test point : TP CONN 3P (PIN501) ①,③ (load 47K Ω)
 • Adjustment location :
- | | |
|------------|--------------|
| (I DECK) | SFR101 (Lch) |
| | SFR102 (Rch) |
| (II DECK) | SFR201 (Lch) |
| | SFR202 (Rch) |

Method : Play back the test tape and adjust SFRs so that the output level of the test point is $300\text{mV} \pm 20\text{mV}$.

5. REC/PB Frequency Response Adjustment

Settings : • Test tape : TTA-601
 • Test point : TP CONN 3P (PIN501) ①,③
 • Input signal : 1kHz/10kHz
 (VIDEO/AUX)
 • Adjustment location : SFR401 (Lch)
 SFR402 (Rch)

Method : Apply a 1kHz signal and REC mode. Then adjust OSC attenuator so that the output level at the TP CONN 3P (PIN501) ①,③ is 21mV.

Record and play back the 1kHz and 10kHz signals and adjust SFRs so that the output of the 10kHz signal is $+0.5\text{dB} \pm 0.5\text{dB}$ with respect to that of the 1kHz signal.

6. REC/PB Sensitivity Adjustment

Settings : • Test tape : TTA-601 (TTA-600)
 • Test point : TP CONN 3P (PIN501) ①,③
 • Input signal : 1kHz (VIDEO/AUX)
 • Adjustment location : SFR301 (Lch)
 SFR302 (Rch)

Method : Apply a 400Hz signal and REC mode. Then adjust OSC attenuator so that the output level at the TP CONN 3P (PIN501) ①,③ is 21mV. Record and play back the 400Hz signal and adjust SFRs so that the output becomes $21\text{mV} \pm 0.5\text{dB}$.

7. Bias OSC Frequency Adjustment

Settings : • Test tape : TTA-601
 • Test point : TP BIAS (C404)
 • Adjustment location : L401

Method : Set to the REC mode. Adjust L401 so that the frequency counter of the test point reads $85\text{kHz} \pm 1\text{kHz}$.

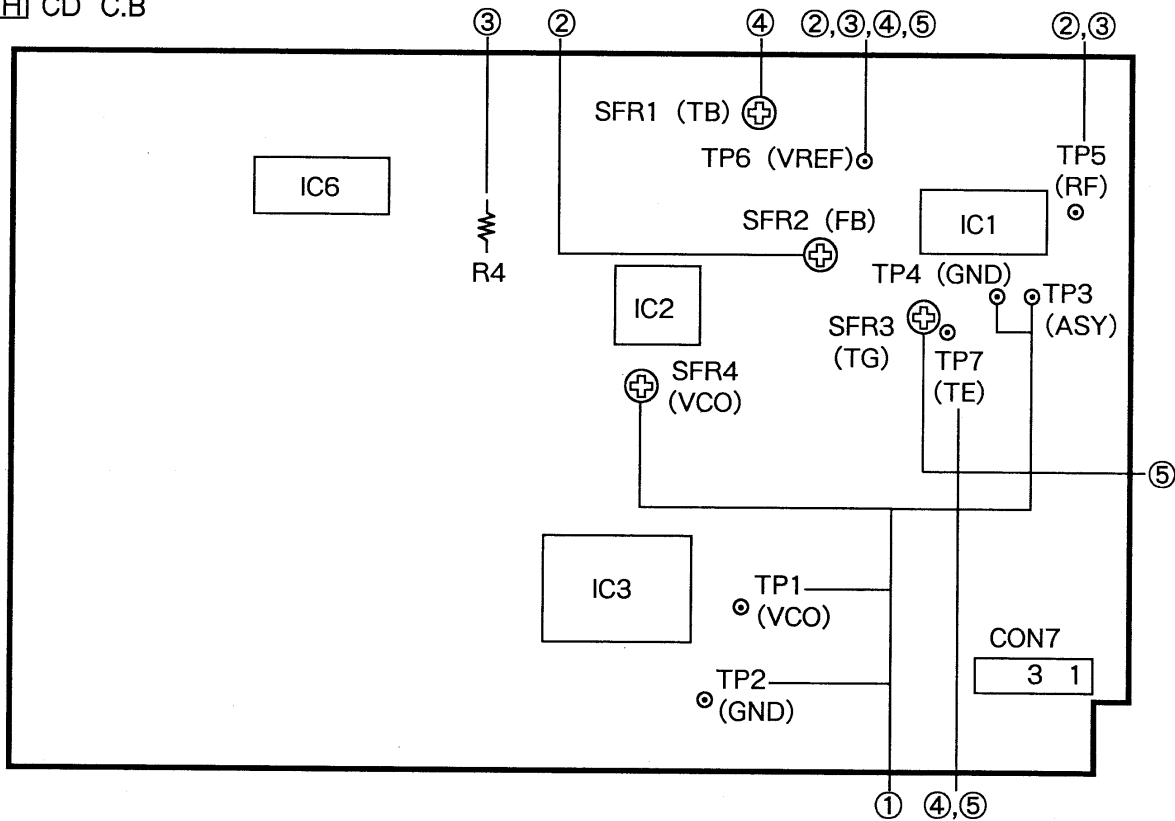
PRACTICAL SERVICE FIGURE (DECK)

DECK SECTION

Tape speed :	$3000\text{Hz} \pm 1.5\%$	Less than $115\text{mV}/25\text{mV}$
Wow & flutter :	Less than 0.4% (R.M.S)	(DOLBY B NR ON/OFF)
Take-up torque :	30~55g-cm (FWD, REV)	NORM)
F.F torque :	75~180g-cm	Noise level (REC/PB) :
Rew torque :	75~180g-cm	Less than $10\text{mV}/15\text{mV}$
Back tension :	2~7g-cm	(DOLBY B NR ON/OFF)
PB Output level :	$2.5\text{V} \pm 1\text{dB}$ (SP OUT)	CrO ₂)
REC/PB Output level :	$1.75\text{V} \pm 1\text{dB}$ (SP OUT)	Less than $15\text{mV}/25\text{mV}$
Distortion (REC/PB) :	Less than 2.0% (CrO ₂)	(DOLBY B NR ON/OFF)
	Less than 2.0% (NORMAL)	MORM)
Noise level (PB) :	Less than $10\text{mV}/15\text{mV}$	Erasing ratio :
	(DOLBY B NR ON/OFF)	More than 60dB (125Hz)
	CrO ₂)	REC bias frequency :
		85kHz
		Test tape :
		NORMAL TTA-601/600
		CrO ₂ TTA-610

ELECTRICAL ADJUSTMENT (CD)

CD C.B



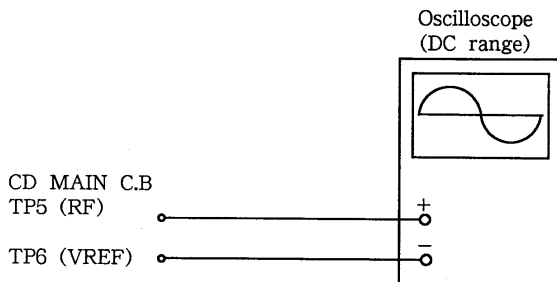
Note : Connect a probe (10 : 1) of the osilloscope and the counter to a test point.

1. VCO Frequency Adjustment

- 1) Short pin ① and ③ of CON7 with wire.
- 2) Connect the frequency counter to the test points TP1 (VCO : IC3 PIN 70) and TP2 (VCO GND).
- 3) Connect and short between TP3 (ASY : IC1 PIN 26) and TP4 (GND).
- 4) Adjust SFR4 so that the frequency counter reading is $4.27\text{MHz} \pm 0.02\text{MHz}$.
- 5) After the adjustment is completed, disconnect the short lead wire.

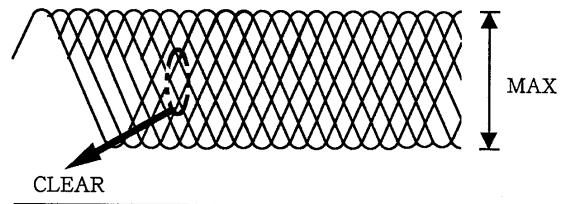
2. Focus Bias Adjustment

Make the focus bias adjustment when replacing and repairing the optical block.



- 1) Connect an oscilloscope to the test points TP5 (RF : IC1 PIN 2) and TP6 (VREF).
- 2) Turn on the power switch.

- 3) Insert test disc TCD-782 (YEDS-18) and play back the second composition.
- 4) Adjust SFR2 (FB) so that the RF waveform must be maximum and clear.

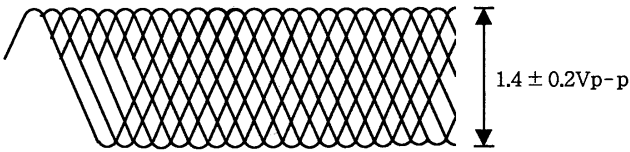


VOLT/DIV : 0.5V
TIME/DIV : 0.5 μ S

3. RF Waveform Check

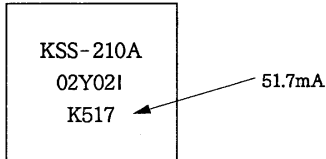
This check should be performed whenever the optical block is replaced in repair.

- 1) Connect an oscilloscope to the test points TP5 (RF) and TP6 (VREF).
- 2) Turn on the power switch.
- 3) Insert test disc TCD-782 (YEDS-18) and play back the second composition.
- 4) Check that the waveform appears as shown in the figure.



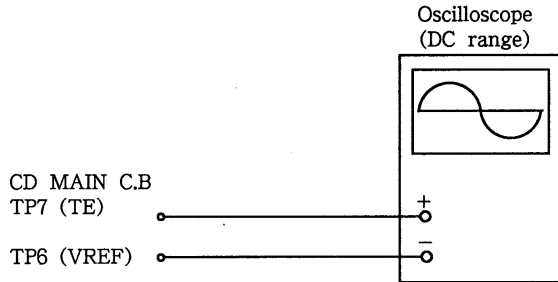
VOLT/DIV : 0.5V
TIME/DIV : 0.5 μ S

Note: The current of the laser signal can be checked with the voltages on both sides of R4 (10 Ω). The difference for the specified value shown on the label must be within ± 6.0mA.

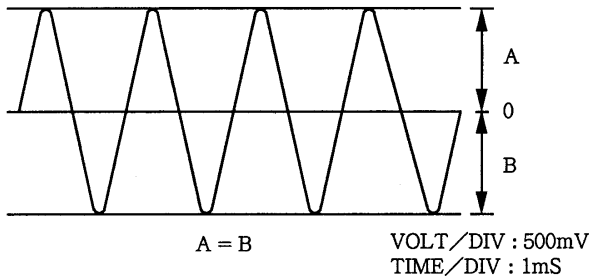


$$\text{Laser current } I_{op} = \frac{\text{Voltage across R4}}{10 \Omega}$$

4. Tracking Balance Adjustment



- 1) Connect an oscilloscope to the test points TP7 (TE : IC1 PIN 20) and TP6 (VREF).
- 2) Connect center pin of SFR3 (TG) to TP6 (VREF).
- 3) Turn on the power switch.
- 4) Insert test disc TCD-782 (YEDS-18) and play back the second composition.
- 5) Adjust SFR1 (TB) so that the waveform on the oscilloscope is vertically symmetrical as figure shown in the figure below.
- 6) After the adjustment is completed, remove the connected lead wire.



5. Tracking Gain Adjustment

A servo analyzer is necessary in order to perform this adjustment exactly. However, this gain has a margin, so even if it is slightly off, there is no problem. Therefore, do not perform this adjustment.

Focus/tracking gain determines the pick-up follow-up (vertical and horizontal) relative to mechanical noise and mechanical shock when 2-axis device operates. However, as these reciprocate, the adjustment is at the point where both are satisfied.

- When gain is raised, the noise increases when the 2-axis device operates increases.
- When gain is lowered, it is more susceptible to mechanical shock and skipping occurs more easily.

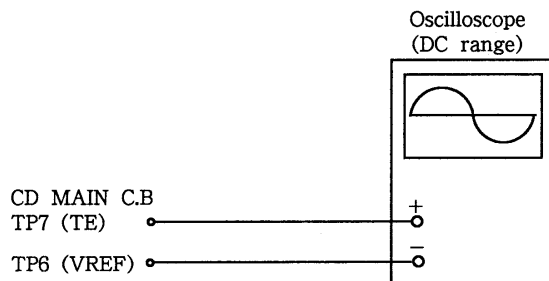
When gain adjustment is off, the symptoms below appear.

Symptoms	Gain	(Focus)	Tracking
● The time until music starts becomes longer for STOP →▶ PLAY or automatic selection (◀▶ buttons pressed.) (Normally takes about 2 seconds.)		low	low or high
● Music does not start and disc continues to rotate for STOP →▶ PLAY or automatic selection (◀▶ buttons pressed.)		—	low
● Disc stops to rotate shortly after STOP →▶ PLAY.		low or high	—
● Sound is interrupted during PLAY, or time counter display stops.		—	low
● More noises during the 2-axis device operation.		high	high

The following is simple adjustment method.

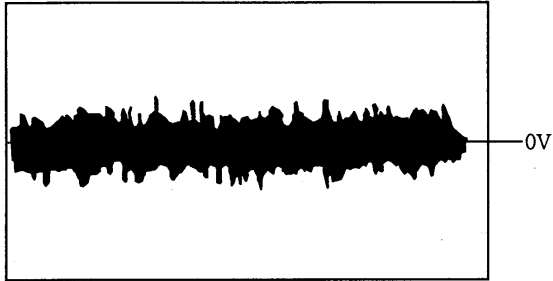
— Simple adjustment —

Note: Since exact adjustment cannot be performed, remember the positions of the controls before the performing the adjustment. If the positions after the simple adjustment are only a little different, return the controls to the original position.



- 1) Keep the set horizontal. (If the set is not kept

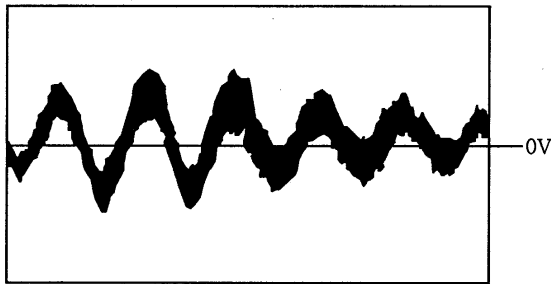
- horizontally, this adjustment cannot be performed due to the gravity against the 2-axis device.)
- 2) Insert test disc TCD-782 (YEDS-18) and play back the second composition.
 - 3) Connect an oscilloscope to TP7 (TE:IC1 PIN 20) and TP6 (VREF).
 - 5) Adjust SFR3 (TG) so that the waveform appears as shown in the figure below.
(tracking gain adjustment)



VOLT/DIV : 200mV
TIME/DIV : 1mS

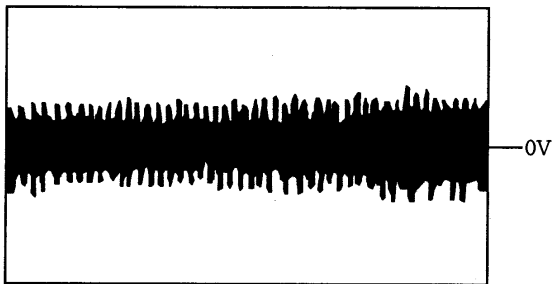
- Incorrect example (The fundamental wave appears as compared with the waveform adjusted)

Low tracking gain



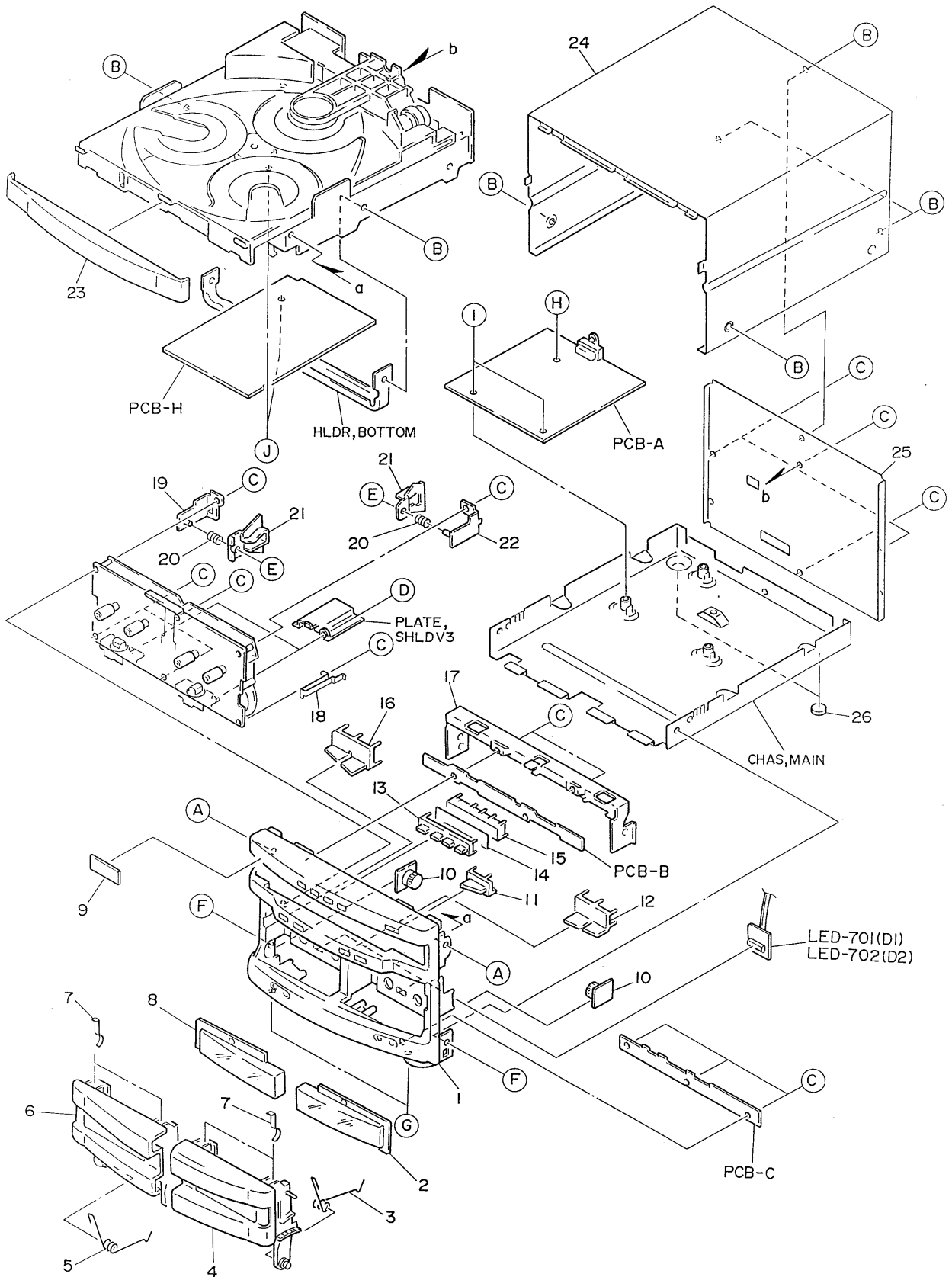
VOLT/DIV : 200mV
TIME/DIV : 1mS

High tracking gain (The frequency of the fundamental wave is higher than in low gain.)



VOLT/DIV : 200mV
TIME/DIV : 1mS

MECHANICAL EXPLODED VIEW 1/2 (FD - N606)

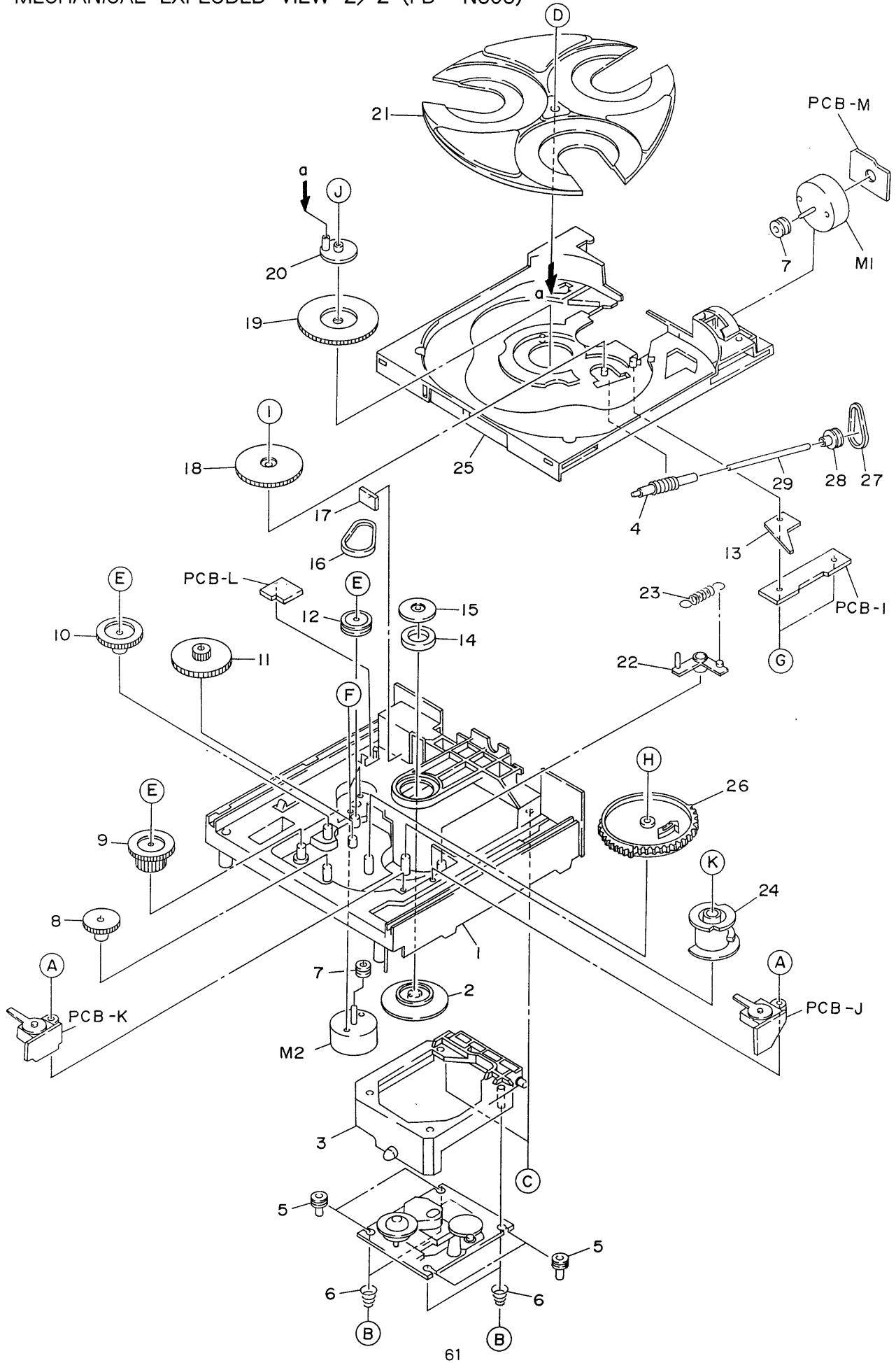


MECHANICAL PARTS LIST 1/2 (FD - N606)

DESCRIPTIONで判断できない物は“REFERENCE NAME LIST”を参照してください。
 If can't understand for Description please kindly refer to “REFERENCE NAME LIST”.

REF. NO	PART NO.	カフリ NO.	DESCRIPTION	REF. NO	PART NO.	カフリ NO.	DESCRIPTION
1	82-NV3-016-019		CAB, FR EX[B] (YJ, Y)	22	82-NF5-205-019		HLDR ASSY, LOCK 2
1	82-NV3-020-019		CAB, FR GLD[N] (Y)	23	82-NV3-019-019		PANEL, TRAY EX[B]
1	82-NV3-028-019		CAB, FR U[B] (YU)	23	82-NV3-023-019		PANEL, TRAY GLD[N]
2	82-NV3-012-019		WINDOW, CASS 2	24	82-NV3-024-019		CAB, STEEL GLD[N]
3	82-NV3-206-019		SPR-T, EJECT 2	24	82-NV3-005-019		CAB, STEEL[B]
4	82-NV3-018-019		BOX, CASS 2 EX[B]	25	82-NV3-014-019		PANEL, REAR YBNE[B, N] (Y)
4	82-NV3-022-019		BOX, CASS 2 GLD[N]	25	82-NV3-027-019		PANEL, REAR YJBN[B] (YJ)
5	82-NV3-205-019		SPR-T, EJECT 1	25	82-NV3-015-019		PANEL, REAR YUBN[B] (YU)
6	82-NV3-017-019		BOX, CASS 1 EX[B]	26	82-NV1-213-019		FELT, DIA12-2
6	82-NV3-021-019		BOX, CASS 1 GLD[N]	A	87-721-097-419		QT2+3-12 GLD
7	80-CD3-218-110		SPR-P CASS	B	87-067-641-019		UTT2+3-8 W/O SLOT BLK
8	82-NV3-011-019		WINDOW, CASS 1	C	87-067-761-019		BVT2+3-10 BLK
9	81-DS1-011-019		BADGE, AIWA N	D	87-571-032-419		VIT+2-3
10	87-063-165-019		OIL-DMPR 150	E	87-081-808-019		PW, 1. 7-3. 5-0. 25
11	82-NV3-008-019		KEY, OPEN	F	87-591-094-419		QIT + 3 - 6 GOLD
12	82-NV3-010-019		KEY, DUBBING	G	87-067-673-019		BVTT +3-8 BLK
13	82-NV3-007-019		KEY, DISC	H	87-067-632-019		BVT2+3-15 W CONVEX
14	82-NT3-012-019		SH, FUN	I	87-067-581-019		BVT2+3-15 W/O SLOT
15	82-NT3-201-019		GUIDE, FUN	J	87-067-579-019		BVT 2+3-8 W/O SLOT
16	82-NV3-009-019		KEY, DOLBY				
17	82-NV3-201-019		HLDR, CD				
18	82-NV3-204-019		PLATE, EARTE MECHA 2				
19	82-NF5-204-019		HLDR ASSY, LOCK 1				
20	80-MV3-218-019		SPR-C, LOCK				
21	80-CD3-233-010		PLATE, LOCK				

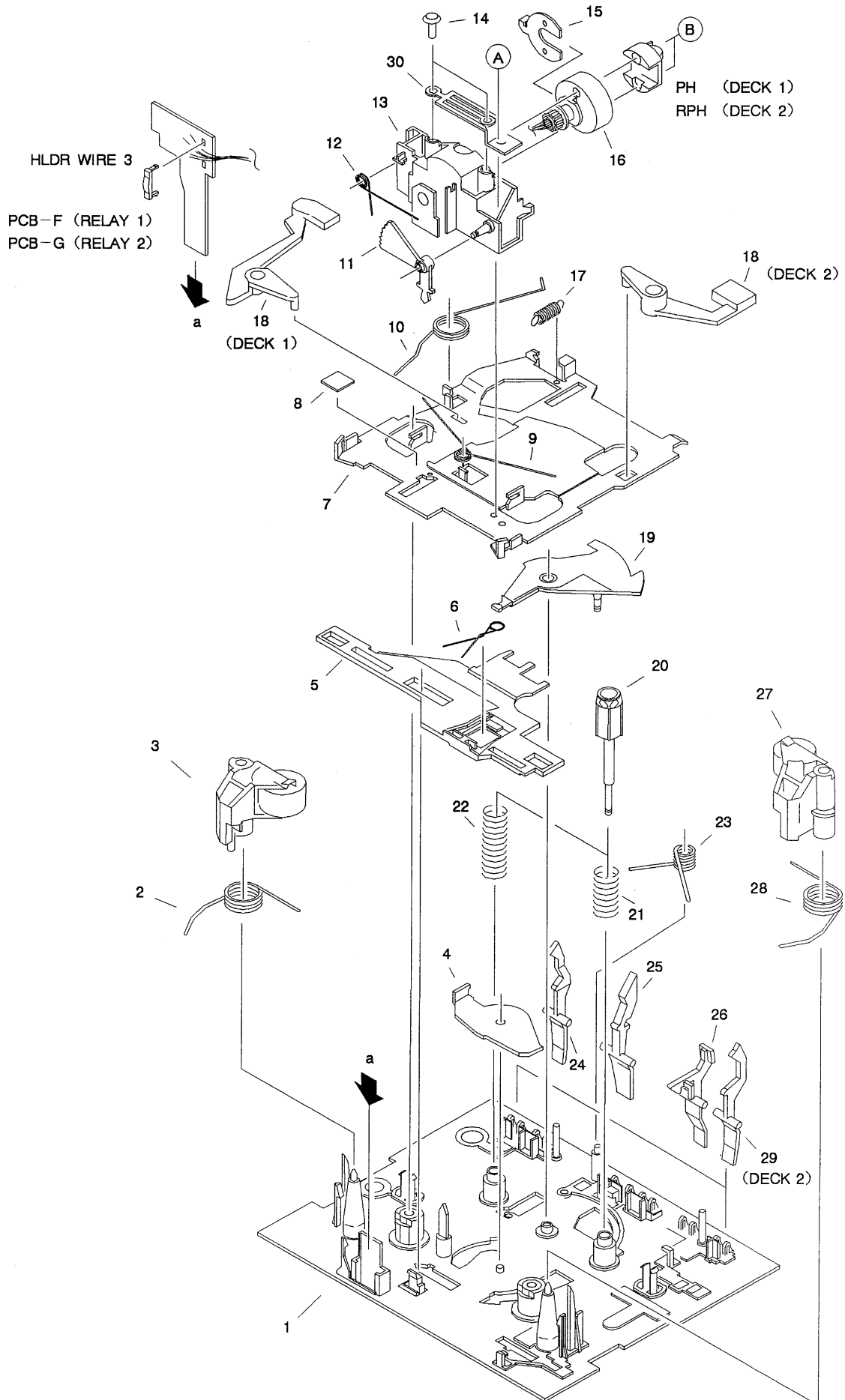
MECHANICAL EXPLODED VIEW 2/2 (FD - N606)

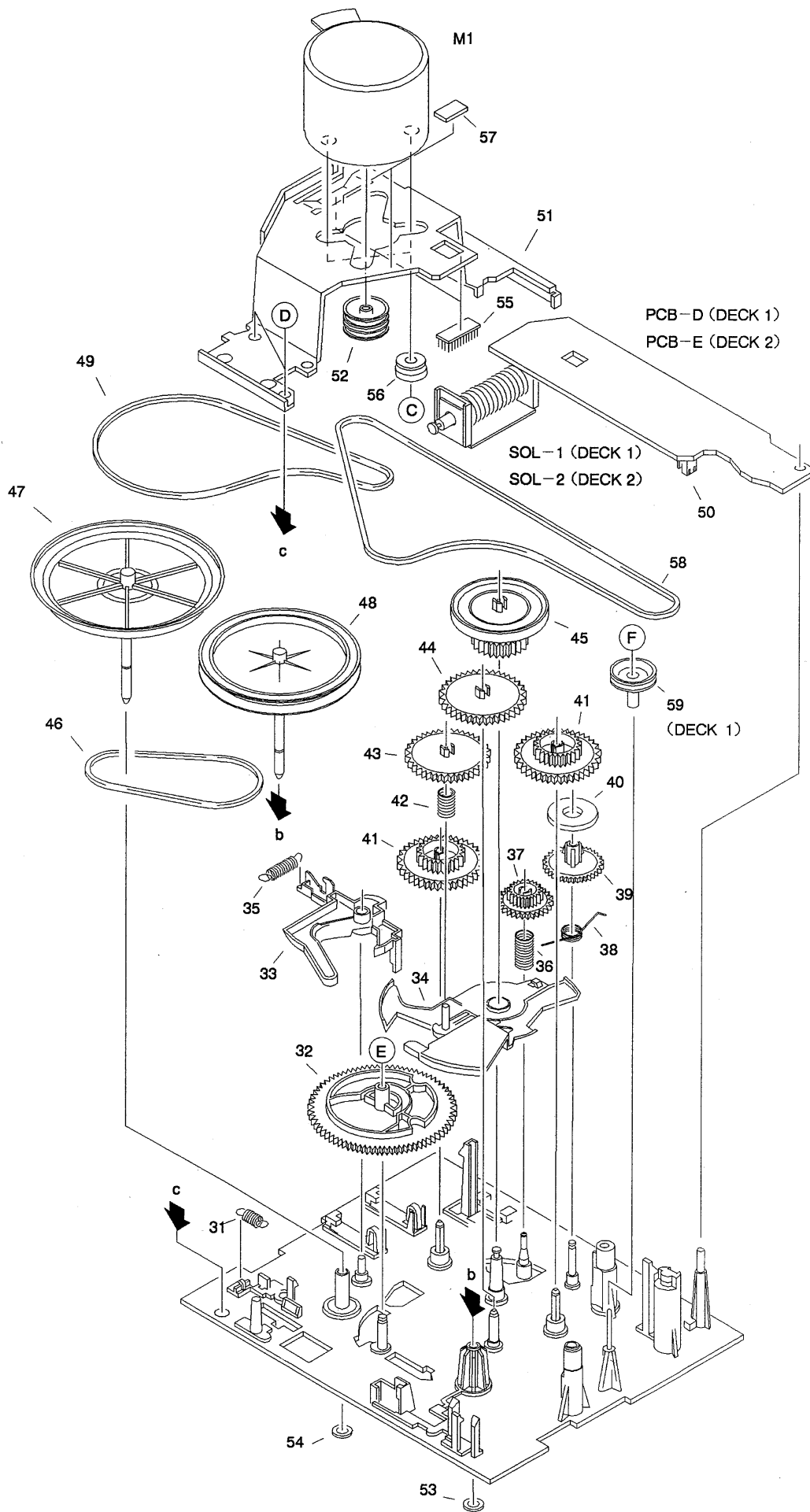


MECHANICAL PARTS LIST 2/2 (FD - N606)

REF. NO	PART NO.	カンリ NO.	DESCRIPTION	REF. NO	PART NO.	カンリ NO.	DESCRIPTION
1	81-ZG1-268-01K		CHAS, MECH V	21	81-ZG1-008-119		TURNTABLE, NO2
2	81-ZG1-228-11K		HLD, MAGNET	22	81-ZG1-213-110		PLATE, CAM
3	81-ZG1-253-119		HLD, MECH MK2	23	81-ZG1-262-019		SPR-E, CAM S
4	81-ZG1-221-01K		WORM GEAR, TT	24	81-ZG1-206-11K		GEAR, MECH CAM
5	81-ZG1-230-010		G-CUSH, MECH	25	81-ZG1-011-119		TRAY MK2
6	81-ZG1-231-010		SPR-C, MECH	26	81-ZG1-205-21K		GEAR, TRAY CAM
7	81-ZG1-212-01K		PULLY, LOAD MO	27	81-ZG1-233-110		BELT, TT
8	81-ZG1-250-019		GEAR, TRAY RELAY MK2	28	81-ZG1-236-01K		PULLY, TT MO
9	81-ZG1-257-019		GEAR, TRAY B MK2	29	81-ZG1-260-019		SHAFT, WORM S
10	81-ZG1-256-019		GEAR, TRAY A MK2	A	81-653-215-019		SPECIAL SCREW VT2
11	81-ZG1-251-019		GEAR, RELAY MK2	B	81-ZG1-254-019		S-SCREW, MECH HLD
12	81-ZG1-211-01K		PULLY, RELAY	C	87-561-096-219		VFT1 +3-10 DIA 10
13	81-ZG1-240-010		SPR-P, WORM	D	81-ZG1-239-019		S-SCREW, TT
14	87-036-326-010		MAGNET, CLAMPER 93	E	87-067-945-119		VFT2+3-12
15	81-ZG1-255-019		PLATE, MAGNET MK2	F	87-251-071-419		U+2, 6-4
16	81-ZG1-232-010		BELT, TRAY	G	87-067-579-019		BVT 2+3-8 W/O SLOT
17	81-ZG1-238-119		CUSH, TRAY IN	H	81-ZG1-264-019		S-SCREW, CAM
18	81-ZG1-222-01K		WORM WHEEL, TT	I	87-761-095-419		VFT2+3-8W/O SLOT GOLD
19	81-ZG1-202-01K		GEAR, MAIN	J	87-078-029-019		VFT2+3-13
20	81-ZG1-252-010		LEVER, TT MK2	K	87-067-828-019		VFT2+3-15DIA10, GLD

TAPE MECHANISM EXPLODED VIEW 1/1 (FD - N606)

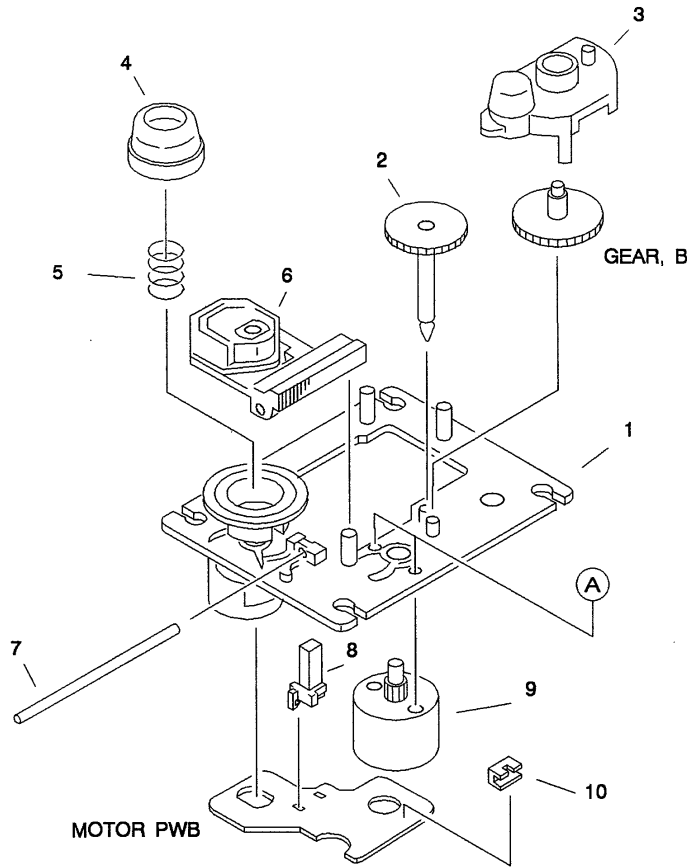




TAPE MECHANISM PARTS LIST 1/1 (FD - N606)

REF. NO	PART NO.	カリ NO.	DESCRIPTION	REF. NO	PART NO.	カリ NO.	DESCRIPTION
1	82-ZM3-214-110		CHAS ASSY, P (DECK 1)	34	82-ZM1-224-110		LVR, FR
1	82-ZM1-299-010		CHAS ASSY, R (DECK 2)	35	82-ZM1-305-010		SPR-E, TRIG 2
2	82-ZM1-258-010		SPR-T, PINCH L	36	82-ZM1-277-010		SPR-C, PLAY
3	82-ZM1-248-110		LVR ASSY, PINCH L	37	82-ZM1-223-010		GEAR, PLAY
4	82-ZM1-295-210		PLATE ASSY, LINK	38	82-ZM1-256-110		SPR-T, FR
5	82-ZM1-266-010		LVR, DIR	39	82-ZM1-220-210		GEAR, IDLER
6	82-ZM1-214-010		SPR-T, DIR	40	80-ZM6-217-010		RING MAGNET 2
7	82-ZM1-206-210		CHAS, HEAD	41	82-ZM1-216-210		GEAR, REEL
8	87-078-014-010		SH, 5-5-0.05	42	82-ZM1-276-010		SPR-C, FR
9	82-ZM1-269-010		SPR-T, BRG	43	82-ZM1-225-010		GEAR, FR
10	82-ZM1-219-010		SPR-T, LINK	44	82-ZM1-226-010		GEAR, REW
11	82-ZM1-210-010		GEAR, H T	45	82-ZM1-228-210		SLIP DISK ASSY
12	82-ZM1-213-010		SPR-T, HEAD	46	82-ZM1-261-110		BELT, FR
13	82-ZM1-207-010		GUIDE, TAPE	47	82-ZM1-237-210		FLY-WHL ASSY, R (DECK 2)
14	82-ZM1-283-210		S-SCREW, AZIMUTH	47	82-ZM3-209-110		FLY-WHL ASSY, R2 (DECK 1)
15	82-ZM1-209-010		PLATE, HEAD	48	82-ZM1-234-110		FLY-WHL ASSY, L (DECK 2)
16	82-ZM1-208-010		HLDR, HEAD	48	82-ZM3-207-210		FLY-WHL ASSY, L2 (DECK 1)
17	82-ZM1-218-010		SPR-E, HB	49	82-ZM3-206-010		BELT, R
18	82-ZM1-263-110		LVR, EJECT L (DECK 1)	50	82-ZM1-245-210		HLDR, IC
18	82-ZM1-264-010		LVR, EJECT R (DECK 2)	51	82-ZM3-201-010		HLDR, MC
19	82-ZM1-222-010		LVR, PLAY	52	82-ZM3-202-010		PULLEY, MOT 2M
20	82-ZM1-217-110		REEL, TABLE	53	82-ZM1-288-010		SH, 1.63-3.2-0.5 SLT
21	82-ZM1-244-110		SPR-C, BT	54	80-ZM6-243-010		SH, 1.75-3.6-0.5 SLT
22	82-ZM1-285-110		SPR-C, BT L	55	80-ZM6-230-010		SH, BELT
23	82-ZM1-257-010		SPR-T, CAS	56	86-575-242-010		CUSH-G, DIA3.7-9-3.2
24	82-ZM1-241-110		LVR, MC	57	86-575-361-010		CUSH-G, 6-8-0.8
25	82-ZM1-242-010		LVR, CAS	58	82-ZM3-205-010		BELT, L
26	82-ZM1-243-010		LVR, STOP	59	82-ZM3-204-010		PULLEY, COUPLER (DECK 1)
27	82-ZM1-253-110		LVR ASSY, PINCH R	A	87-585-036-410		UIT+2-8
28	82-ZM1-259-010		SPR-T, PINCH R	B	80-ZM6-207-010		V+1.6-7
29	82-ZM1-240-110		LVR, REC (DECK 2)	C	82-ZM1-309-010		S-SCRW, MOTOR
30	82-ZM1-298-010		SPR-P, EARTH	D	87-067-178-010		VTT+2.6-3
31	82-ZM1-255-110		SPR-E, LVR DIR	E	87-067-932-010		PW, 2.15-6.8-0.5 SLT
32	82-ZM1-221-110		GEAR, CAM	F	87-067-972-010		PW, 1.05-3-0.25 SLT
33	82-ZM1-227-110		LVR, TRIG				

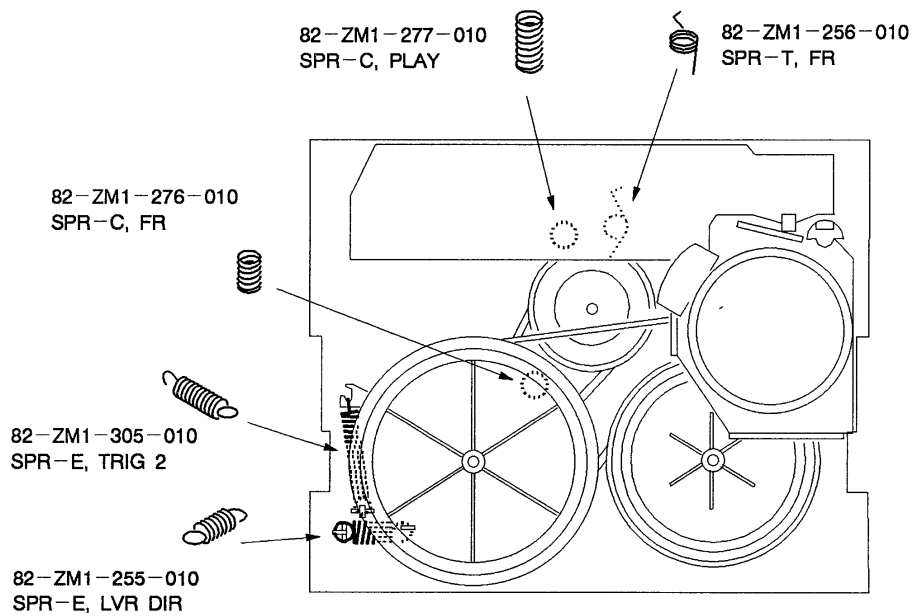
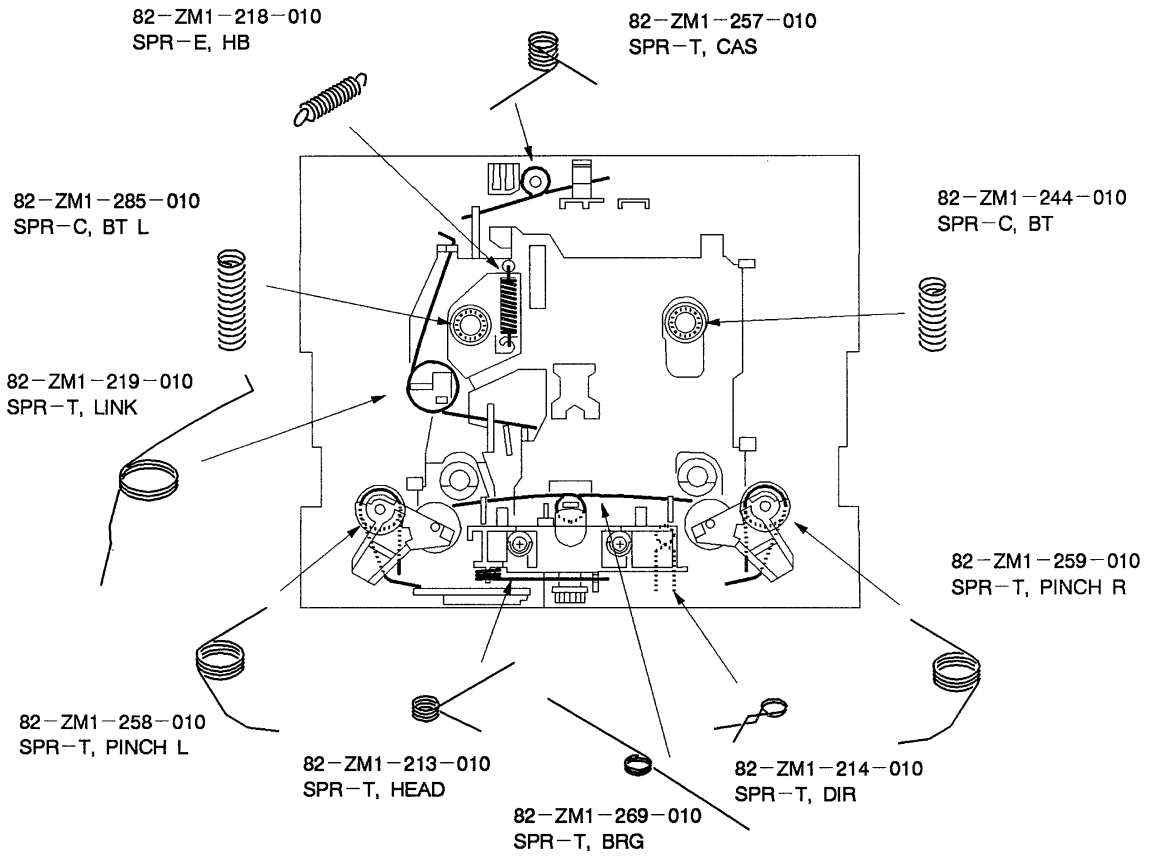
CD MECHANISM EXPLODED VIEW 1/1 (FD - N606)



CD MECHANISM PARTS LIST 1/1 (FD - N606)

REF. NO	PART NO.	カリ NO.	DESCRIPTION	REF. NO	PART NO.	カリ NO.	DESCRIPTION
1	9X-262-513-310		T. T CHASS ASSY W/MOTOR	6	98-848-127-110		PICK UP KSS-210A
2	92-625-188-020		GEAR A	7	94-917-565-010		SHAFT SLED
3	92-625-544-010		COVER	8	91-572-085-110		LEAF SW (LIMIT)
4	92-625-187-010		RING, CENTER	9	9X-262-513-210		SLED MOTOR ASSY
5	92-625-191-010		SPRING COMPRESSION	10	91-564-722-110		CONNECTOR 6P
				A	87-261-032-210	V+2-3	

SPRING APPLICATION POSITION (FD - N606)



SX - N606

■ SPEAKER LIST

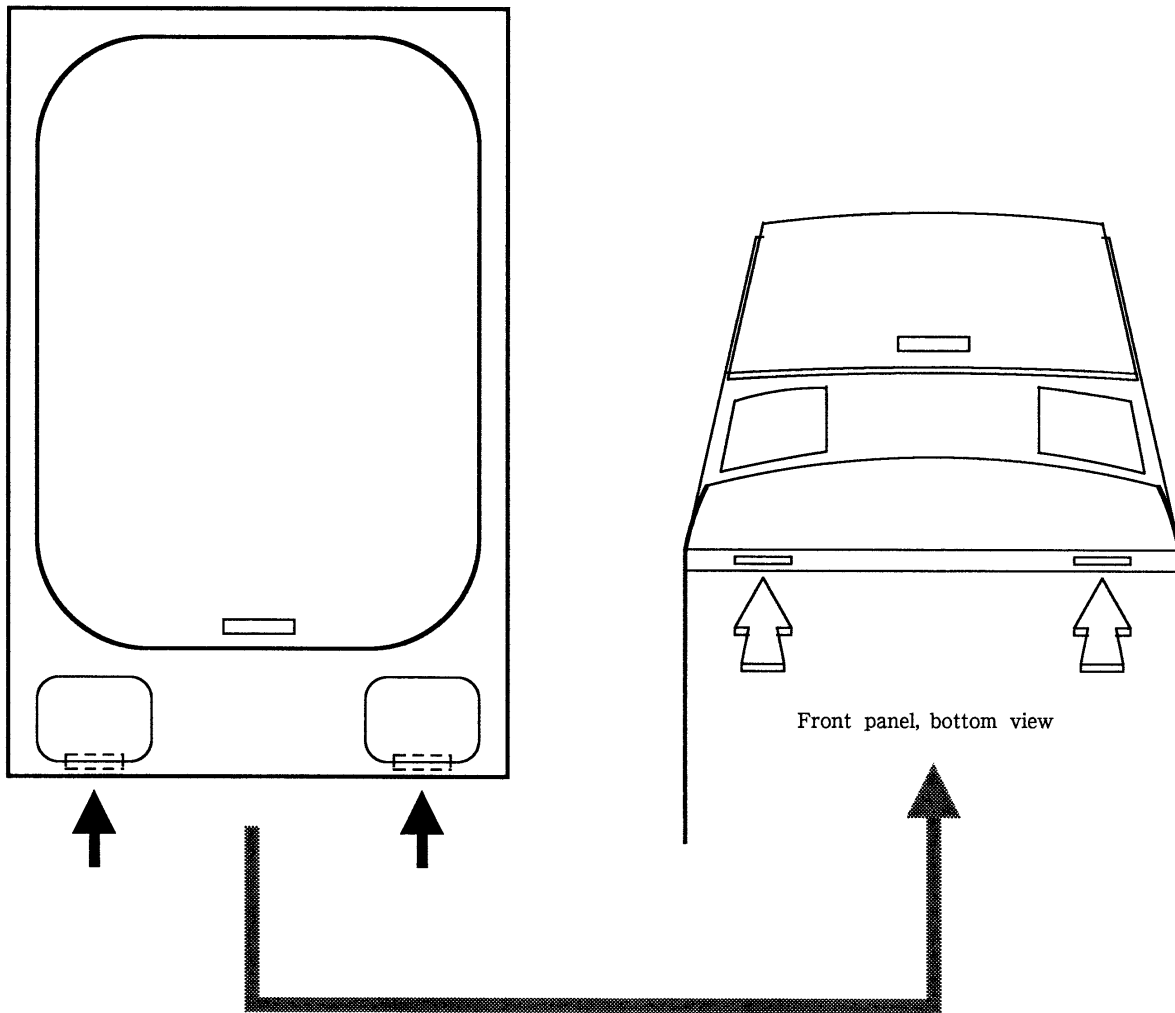
DESCRIPTIONで判断できない物は“REFERENCE NAME LIST”を参照してください。
 If can't understand for Description please kindly refer to “REFERENCE NAME LIST”.

REF. NO	PART NO.	カンリ NO.	DESCRIPTION	REF. NO	PART NO.	カンリ NO.	DESCRIPTION
	82-NS3-009-010		PANEL BA		82-NS3-004-010		PANEL TW ASSY(EXCEPT YN)
	82-NS3-002-010		PANEL FR(YU, YB)		82-NS3-007-010		GRILL FRAME ASSY
	82-NS3-003-010		PANEL FR H(SYJ)		82-NS3-602-010		SPEAKER WOOFER
	82-NS3-013-010		PANEL FR N(YN)		83-096-614-010		SPEAKER CORD
	82-NS3-019-010		PANEL TW ASSY N(YN)				

■ DISASSEMBLY INSTRUCTIONS

- Insert a flat-bladed screwdriver into the position indicated by the arrows (shown in the below figure) and remove the front panel and tweeter. Remove the screws of each speaker unit and then remove the speaker units.

- SX - N606 (3 WAY SPEAKER SYSTEM)



■ ACCESSORIES/PACKAGE LIST

DESCRIPTIONで判断できない物は“REFERENCE NAME LIST”を参照してください。
 If can't understand for Description please kindly refer to “REFERENCE NAME LIST”.

REF. NO	PART NO.	カソリ NO.	DESCRIPTION
1	82-NT3-901-019		IB, H(S)
2	82-NT3-905-019		IB, E(S) (E, EN, Z, ZN)
3	82-NT3-645-010		RC-TN606 (HE, HR, LH, U, E, K, Z)
4	82-NT3-650-010		RC-TN606 (GOLD) (EN, KN, ZN)
5	82-NT3-656-010		RC-TN603 (603)
6	87-006-226-010		AM LOOP ANT CON2 (E, EN, K, KN)
7	87-006-225-010		AM LOOP ANT NC2 (EXCEPT E, EN, K, KN)
8	87-043-115-010		ANT, FEEDR FM (EXCEPT Z, ZN)
9	87-043-106-010		FM, WIRE ANT (Z) (Z, ZN)
10	87-042-062-010		PLUG, ADPTR S-16115 (HE, HR)
11	87-009-724-010		PLUG, ADPTR IR39 (LH)

REFERENCE NAME LIST

ELECTRICAL SECTION

DESCRIPTION	REFERENCE NAME
ANT	ANTENNAS
C-	CHIP
C-CAP	CAP, CHIP
C-CAP TN	CAP, CHIP TANTALUM
C-COIL	COIL, CHIP
C-DI	DIODE, CHIP
C-DIODE	DIODE, CHIP
C-FET	FET, CHIP
C-FOTR	FILTER, CHIP
C-JACK	JACK, CHIP
C-LED	LED, CHIP
C-RES	RES, CHIP
C-SFR	SFR, CHIP
C-SLIDE SW	SLIDE SWITCH, CHIP
C-SW	SWITCH, CHIP
C-TR	TRANSISTOR, CHIP
C-VR	VOLUME, CHIP
C-ZENER	ZENER, CHIP
CAP, CER	CAP, CERA-SOL
CAP, E	CAP, ELECT
CAP, M/F	CAP, FILM
CAP, TC	CAP, CERA-SOL
CAP, TC-U	CAP, CERA-SOL SS
CAP, TN	CAP, TANTALUM
CERA FIL	FILTER, CERAMIC
CF	FILTER, CERAMIC
DL	DELAY LINE
E/CAP	CAP, ELECT
FILT	FILTER
FLTR	FILTER
FUSE RES	RES, FUSE
MOT	MOTOR
P-DIODE	PHOTO DIODE
P-SNSR	PHOTO SENSER
P-TR	PHOTO TRANSISTOR
POLY VARI	VARIABLE CAPACITOR
PPCAP	CAP, PP
PT	POWER TRANSFORMER
PTR, RES	PTR, MELF
RC	REMOTE CONTROLLER
RES NF	RES, NON-FLAMMABLE
RESO	RESONATOR
SHLD	SHIELD
SOL	SOLENOID
SPKR	SPEAKER
SW, LVR	SWITCH, LEVER
SW, RTRY	SWITCH, ROTARY
SW, SL	SWITCH, SLIDE
TC CAP	CAP, CERA-SOL
THMS	THERMISTOR
TR	TRANSISTOR
TRIMMER	CAP, TRIMMER
TUN-CAP	VARIABLE CAPACITOR
VIB, CER	RESONATOR, CERAMIC
VIB, XTAL	RESONATOR, CRYSTAL
VR	VOLUME
ZENER	DIODE, ZENER
サージサプレッサ	SERGESUPPRESSOR
セラコン	CAP, CERA

サービス技術ニュース	
番号	連絡内容
G - -	
G - -	
G - -	

MECHANICAL SECTION

DESCRIPTION	REFERENCE NAME
ADHESHIVE	SHEET ADHESHIVE
AZ	AZIMUTH
BAR-ANT	BAR-ANTENNA
BAT	BATTERY
BATT	BATTERY
BRG	BEARING
BTN	BUTTON
CAB	CABINET
CASS	CASSETTE
CHAS	CHASSIS
CLR	COLLAR
CONT	CONTROL
CRSR	CURSOR
CU	CUSHION
CUSH	CUSHION
DIR	DIRECTION
DUBB	DUBBING
FL	FRONT LOADING
FLY-WHL	FLYWHEEL
FR	FRONT
FUN	FUNCTION
G-CU	G-CUSHION
HDL	HANDOL
HIMERON	CLOTH
HINGE, BAT	HINGE, BATTERY
HLDR	HOLDER
HT-SINK	HEAT SINK
IB	INSTRUCTION BOOKLET
IDLE	IDLER
IND, L-R	INDICATOR, L-R
KEY, CONT	KEY, CONTROL
KEY, PRGM	KEY, PROGRAM
KNOB, SL	KNOB, SLIDE
LBL	LABEL
LID, BATT	LID, BATTERY
LID, CASS	LID, CASSETTE
LVR	LEVER
P-SP	P-SPRING
PANEL, CONT	PANEL, CONTROL
PANEL, FR	PANEL, FRONT
PRGM	PROGRAM
PULLY, LOAD MO	PULLY, LOADING MOTOR
RBN	RIBBON
S-	SPECIAL
SEG	SEGMENT
SH	SHEET
SHLD-SH	SHIELD-SHEET
SL	SLIDE
SP	SPRING
SP-SCREW	SPECIAL-SCREW
SPACER, BAT	SPACER, BATTERY
SPR	SPRING
SPR-P	P-SPRING
SPR-PC-PUSH	P-SPRING, C-PUSH
T-SP	T-SPRING
TERM	TERMINAL
TRIG	TRIGGER
TUN	TUNING
VOL	VOLUME
W	WASHER
WHL	WHEEL
WORM-WHL	WORM-WHEEL
ジューム	ARM, SHAFT
ジウガイド	GUIDE, SHAFT
ストラップ	STRAP
トクバ	S-SCRW
ヒンジ	HINGE
ヒンジビス	S-SCRW
ビスネー	SCRW, SERRART

アイワ株式会社
AIWA CO., LTD.

920074, 750038

Tokyo Japan