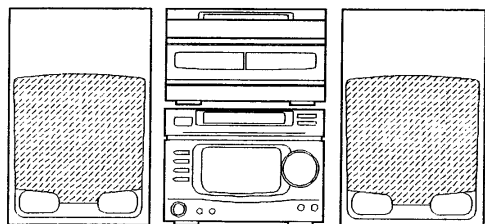


aiwa



NSX-D757 NSX-D757R NSX-D656R



STEREO SYSTEM

- BASIC TAPE MECHANISM: 2ZM-3 PR1N
- BASIC CD MECHANISM: 4ZG-1SDFR

- TYPE HE, HK, HR, LH, U(757)
K, EE, EZ(757R) EZ(656R)

REVISION PUBLISHING

- This Service Manual is the "Revision Publishing" and replaces "Simple Manual" (S/M Code No. 09-956-108-30T).
- If requiring information about the CD mechanism, see Service Manual of 4ZG-1S. (S/M Code No. 09-955-104-70T)

SYSTEM	AMPLIFIER TUNER	CASSETTE DECK CD PLAYER	REMOTE CONTROLLER	SPEAKERS
NSX-D757	RX-N757	FD-N757	RC-TN506	SX-N757
NSX-D757R	RX-N757R	FD-N757	RC-TN506	SX-N757
NSX-D656R	RX-N656R	FD-N757	RC-TN501	SX-N757

TABLE OF CONTENTS

SPECIFICATIONS	3,4
ACCESSORIES / PACKAGE LIST	5
 MODEL-NO. SX-N757	
DISASSEMBLY INSTRUCTIONS	5
SPEAKER PARTS LIST	5
 MODEL-NO. RX-N757	
ELECTRICAL MAIN PARTS LIST	6~10
CHIP RESISTOR PART CODE	10
BLOCK DIAGRAM-1(TUNER:HE,HR,HK)	11
BLOCK DIAGRAM-2(TUNER:LH,U)	12
BLOCK DIAGRAM-3(TUNER:757R/656R)	13
BLOCK DIAGRAM-4(VOLUME)	14
BLOCK DIAGRAM-5(MAIN)	15,16
BLOCK DIAGRAM-6(PRO/DSP:757/757R MODELS)	17,18
WIRING-1(MAIN:757 HE,HR,HK)	19,20
SCHEMATIC DIAGRAM-1(MAIN:757 HE,HR,HK)	21~23
SCHEMATIC DIAGRAM-2(MAIN:757 LH,U)	24~26
WIRING-2(MAIN:757 LH,U)	27,28
WIRING-3(MAIN:757R)	29,30
SCHEMATIC DIAGRAM-3(MAIN:757R)	31~33
SCHEMATIC DIAGRAM-4(MAIN:656R)	34~36
WIRING-4(MAIN:656R)	37,38
WIRING-5(FRONT)	39,40
SCHEMATIC DIAGRAM-5(FRONT)	41~43
WIRING-6(SW/POWER/VOLUME)	44~46
SCHEMATIC DIAGRAM-6(VOLUME)	47,48
WIRING-7(PRO/DSP)	49,50
SCHEMATIC DIAGRAM-7(PRO/DSP)	51,52
IC BLOCK DIAGRAM	53~56
IC DESCRIPTION	57,58
FL GRID ASSIGNMENT/ANODE CONNECTION	59
ELECTRICAL ADJUSTMENT(TUNER)	60~63
PRACTICAL SERVICE FIGURE(TUNER)	64
TRANSISTOR ILLUSTRATION	64
MECHANICAL EXPLODED VIEW 1/1	65,66
MECHANICAL PARTS LIST 1/1	67
 MODEL-NO. FD-N757	
ELECTRICAL MAIN PARTS LIST	68,69
CHIP RESISTOR PART CODE	69
IC DESCRIPTION	70
BLOCK DIAGRAM-1	71,72
WIRING-1(MAIN)	73,74
SCHEMATIC DIAGRAM-1(MAIN)	75,76
ELECTRICAL ADJUSTMENT(CD)	77~79
ELECTRICAL ADJUSTMENT(TAPE)	80,81
PRACTICAL SERVICE FIGURE(TAPE)	81
TRANSISTOR ILLUSTRATION	82
IC BLOCK DIAGRAM	82
MECHANICAL EXPLODED VIEW 1/1	83,84
MECHANICAL PARTS LIST 1/1	85
TAPE MECHANISM EXPLODED VIEW 1/1	86,87
TAPE MECHANISM PARTS LIST 1/1	88
SPRING APPLICATION POSITION	89
REFERENCE NAME LIST	90

SPECIFICATIONS

NSX-D757

STEREO RECEIVER RX-N757/N760G

FM tuner section

Tuning range 87.5 MHz to 108 MHz
Usable sensitivity(IHF) 13.2 dBf
Antenna terminals 75 ohms (unbalanced)

MW (AM) tuner section

Tuning range 531 kHz to 1602 kHz (9 kHz step)
530 kHz to 1710 kHz (10 kHz step)

Usable sensitivity 350 µV/m
Antenna Loop antenna

(HE, HR, HK MODELS)

SW tuner section

Tuning range SW 1: 3.20 MHz to 7.30 MHz
SW 2: 9.50 MHz to 21.85 MHz
Antenna Wire antenna

Amplifier section

Power output

HE, HK:
Front (without connecting to the SURROUND SPEAKERS)
60 W + 60 W (6 ohms, T.H.D. 10 %, 1 kHz)

Rear:
10 W + 10 W (16 ohms, T.H.D. 10%, 1 kHz)
Center:
20 W (8 ohms, T.H.D. 10%, 1 kHz)

HR:
Front: (without connecting to the SURROUND SPEAKERS)

Rated 50 W + 50 W (6 ohms, T.H.D. 1%, 1 kHz)
Reference 60 W + 60 W (6 ohms, T.H.D. 10%, 1 kHz)

Rear:
Rated 7.5 W + 7.5 W (16 ohms, T.H.D. 1%, 1 kHz)
Reference 10 W + 10 W (16 ohms, T.H.D. 10%, 1 kHz)

Center:
Rated 15 W (8 ohms, T.H.D. 1%, 1 kHz)
Reference 20 W (8 ohms, T.H.D. 10%, 1 kHz)

U model

FTC RULE

Front:
50 watts per channel minimum RMS, both channels driven, at 6 ohms

Rear:
7.5 watts per channel minimum RMS, both channel driven, at 16 ohms

Center:
15 watts minimum RMS at 16 ohms

From 50 Hz to 12000 Hz with no more than 1 % total harmonic distortion

LH model

Front (without connecting to the SURROUND SPEAKERS):
60 W + 60 W (6 ohms, T.H.D. 10 %, 1 kHz)

Rear:
10 W + 10 W (16 ohms, T.H.D. 10 %, 1 kHz)

Center:
20 W (8 ohms, T.H.D. 10 %, 1 kHz)

Total harmonic distortion Inputs

0.1 % (30 W, 1 kHz, 6 ohms)
VIDEO/AUX: 300 mV (adjustable)
MIC 1, MIC 2: 1 mV (10 kohms)

Outputs

LINE OUT: 300 mV
SUPER WOOFER: 1.7 V
SPEAKERS: accepts speakers of 6 ohms or more
SURROUND SPEAKERS: accepts speakers of 16 ohms or more
PHONES (stereo jack): accepts headphones of 32 ohms or more

COMPACT DISC/STEREO CASSETTE DECK FD-N757/N757R

<Cassette deck section>

Track format 4 tracks, 2 channels stereo
Frequency response CrO₂ tape: 50 Hz – 16000 Hz
Normal tape: 50 Hz – 15000 Hz

Signal-to-noise ratio 60 dB (Dolby B NR ON, CrO₂ tape peak level)

Recording system AC bias
Heads DECK 1: Playback head × 1
DECK 2: Recording/playback/erase head × 1

<Compact disc player section>

Laser Semiconductor laser (λ = 780 nm)
D-A converter 1 bit dual
Signal-to-noise ratio 85 dB (1 kHz, 0 dB)
Harmonic distortion 0.03 % (1 kHz, 0 dB)
Wow and flutter Unmeasurable

SPEAKER SYSTEM SX-N757

Cabinet type 3 way, bass reflex with surround speaker (Magnetism sealed type)

Speaker Woofer:
140 mm (5⁵/₈ in.) cone type
Tweeter:
60 mm (2³/₈ in.) cone type
Super tweeter:
20 mm (1³/₁₆ in.) ceramic type

Impedance 6 ohms
Output sound pressure level 87 dB/W/m

Dimensions (W × H × D) 220 × 360 × 265 mm (8³/₄ × 14¹/₄ × 10¹/₂ in.)

Weight 3.5 kg (7 lbs 11 oz.)


GENERAL

Power requirements HE, HR, HK:
120/220-230/240 V AC, switchable 50/60 Hz
U: 120 V AC, 60 Hz
LH: 120 V/220-230 V/240 V AC, switchable 50/60 Hz

Power consumption HE, HR, HK:
105 W (System total 120 W)
U: 85 W (System total 100 W)
LH: 105 W (System total 120 W)

Dimensions of main unit (W × H × D) RX-N757: 260 × 180 × 341.7 mm (10¹/₄ × 7¹/₈ × 13¹/₂ in.)
FD-N757: 260 × 182.5 × 328.5 mm (10¹/₄ × 7¹/₄ × 13 in.)

Weight of main unit RX-N757: 5.6 kg (12 lbs 6 oz)
FD-N757: 3.8 kg (8 lbs 6 oz)

- Design and specifications are subject to change without notice.
- Dolby noise reduction manufactured under license from Dolby Laboratories Licensing Corporation. "DOLBY" and the double-D symbol  and "PRO LOGIC" are trademarks of Dolby Laboratories Licensing Corporation. Laboratories Licensing Corporation.
- The word "BBE" and the "BBE symbol" are trademarks of BBE Sound, Inc. Under license from BBE Sound, Inc.

NSX-D757R/656R

STEREO RECEIVER RX-N757R/656R

FM tuner section

Tuning range	87.5 MHz to 108 MHz
Usable sensitivity(IHF)	EE, EZ, EEZ: 16.8 dBf K: 16.2 dBf
Antenna terminals	75 ohms (unbalanced)

MW tuner section

Tuning range	531 kHz to 1602 kHz (9 kHz step) 530 kHz to 1710 kHz (10 kHz step)
Usable sensitivity	350 μ V/m
Antenna	Loop antenna

LW tuner section

Tuning range	144 kHz to 290 kHz
Usable sensitivity	1400 μ V/m
Antenna	Loop antenna

RX-N757R MODEL

Amplifier section

Power output	Front: (without connecting to the SURROUND SPEAKERS) Rated 50 W + 50 W (6 ohms, T.H.D. 1 %, 1 kHz/DIN 45500) Reference 60 W + 60 W (6 ohms, T.H.D. 10 %, 1 kHz/DIN 45324) DIN MUSIC POWER 105 W + 105 W Rear: Rated 7.5 W + 7.5 W (16 ohms, T.H.D. 1 %, 1 kHz) Reference 10 W + 10 W (16 ohms, T.H.D. 10 % 1 kHz) DIN MUSIC POWER 16 W + 16 W Center: Rated 15 W (8 ohms, T.H.D. 1 %, 1 kHz) Reference 20 W (8 ohms, T.H.D. 10 %, 1 kHz) DIN MUSIC POWER 32 W 0.1 % (30 W, 1 kHz, 6 ohms) VIDEO/AUX: 300 mV (adjustable) MIC 1, MIC 2: 1 mV (10 kohms) LINE OUT: 300 mV SUPER WOOFER: 1.7 V SPEAKERS: accepts speakers of 6 ohms or more SURROUND SPEAKERS: accepts speakers of 16 ohms or more PHONES (stereo jack): accepts headphones of 32 ohms or more
Total harmonic distortion	0.1 % (15 W, 1 kHz, 6 ohms)
Inputs	VIDEO/AUX: 300 mV (adjustable) MIC 1, MIC 2: 1 mV (10 kohms)
Outputs	LINE OUT: 300 mV SUPER WOOFER: 1.7 V SPEAKERS: accepts speakers of 6 ohms or more PHONES (stereo jack): accepts headphones of 32 ohms or more

RX-N656R MODEL

Amplifier section

Power output	Rated 30 W + 30 W (6 ohms, T.H.D. 1 %, 1 kHz/DIN 45500) Reference 40 W + 40 W (6 ohms, T.H.D. 10 %, 1 kHz/DIN 45324) DIN MUSIC POWER 58 W + 58 W
--------------	--

Total harmonic distortion	0.1 % (15 W, 1 kHz, 6 ohms)
Inputs	VIDEO/AUX: 300 mV (adjustable) MIC 1, MIC 2: 1 mV (10 kohms)
Outputs	LINE OUT: 300 mV SUPER WOOFER: 1.3 V SPEAKERS: accepts speakers of 6 ohms or more PHONES (stereo jack): accepts headphones of 32 ohms or more

COMPACT DISC/STEREO CASSETTE DECK FD-N757R/N757

<Cassette deck section>

Track format	4 tracks, 2 channels stereo
Frequency response	CrO ₂ tape: 50 Hz – 16000 Hz Normal tape: 50 Hz – 15000 Hz
Signal-to-noise ratio	60 dB (Dolby B NR ON, CrO ₂ tape peak level)
Recording system	AC bias
Heads	DECK 1: Playback head \times 1 DECK 2: Recording/playback/erase head \times 1

<Compact disc player section>

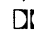
Laser	Semiconductor laser ($\lambda = 780$ nm)
D-A converter	1 bit dual
Signal-to-noise ratio	85 dB (1 kHz, 0 dB)
Harmonic distortion	0.03 % (1 kHz, 0 dB)
Wow and flutter	Unmeasurable

SPEAKER SYSTEM SX-N757

Cabinet type	3 way, bass reflex with surround speaker (Magnetism sealed type)
Speaker	Woofer: 140 mm (5 ⁵ / ₈ in.) cone type Tweeter: 60 mm (2 ³ / ₈ in.) cone type Super tweeter: 20 mm (1 ³ / ₁₆ in.) ceramic type
Impedance	6 ohms
Output sound pressure level	87 dB/W/m
Dimensions (W \times H \times D)	220 \times 360 \times 265 mm (8 ³ / ₄ \times 14 ¹ / ₄ \times 10 ¹ / ₂ in.)
Weight	3.5 kg (7 lbs 11 oz.)

GENERAL

Power requirements	230 V AC, 50 Hz
Power consumption	757R: 365 W (System total 380 W) 656R: 125 W (System total 140 W)
Dimensions of main unit (W \times H \times D)	RX-N757R/N757: 260 \times 180 \times 341.7 mm (10 ¹ / ₄ \times 7 ¹ / ₈ \times 13 ¹ / ₂ in.) FD-N757R/N656R: 260 \times 182.5 \times 328.5 mm (10 ¹ / ₄ \times 7 ¹ / ₄ \times 13 in.)
Weight of main unit	RX-N757R: 5.6 kg (12 lbs 6 oz) RX-N656R: 4.7 kg (10 lbs 6 oz) FD-N757R/N757: 3.8 kg (8 lbs 6 oz)

- Design and specifications are subject to change without notice.
- Dolby noise reduction manufactured under license from Dolby Laboratories Licensing Corporation. "DOLBY" and the double-D symbol  and "PRO LOGIC" are trademarks of Dolby Laboratories Licensing Corporation. Laboratories Licensing Corporation.
- The word "BBE" and the "BBE symbol" are trademarks of BBE Sound, Inc. Under license from BBE Sound, Inc.

■ ACCESSORIES / PACKAGE LIST

DESCRIPTIONで判断できない物は“REFERENCE NAME LIST”を参照してください。
If can't understand for Description please kindly refer to “REFERENCE NAME LIST”.

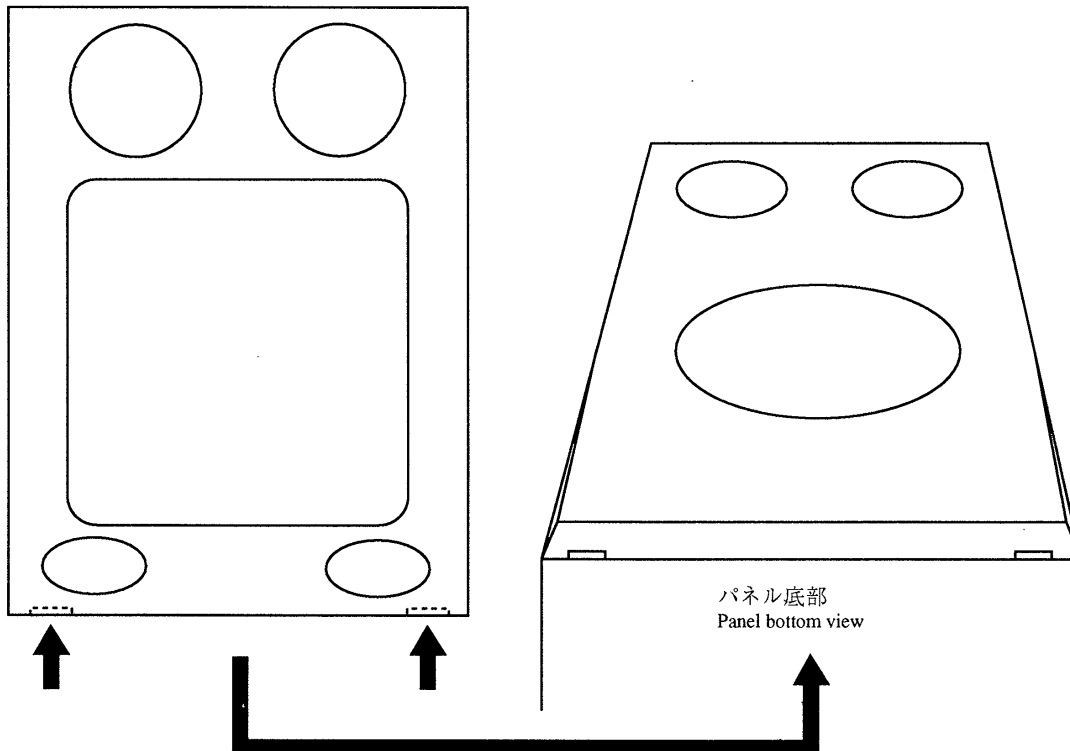
REF. NO	PART NO.	カリ NO.	DESCRIPTION
1	85-NT3-901-019		IB, H-ECA (S) <HE, HK, HR>
1	85-NT3-902-019		IB, H-ESF (S) <LH, U>
1	85-NT3-903-019		IB, E-ESF (S) <K, BE, EZ>
1	85-NT3-904-019		IB, E-EGI (S) <EE, EZ>
1	85-NT3-906-019		IB, E-ESF, 656R (S) <656R>
1	85-NT3-907-019		IB, E-EGI, 656R (S) <656R>
2	85-NF5-631-019		RC-T501 <656R>
2	85-NT3-661-019		RC-T506 <EXCEPT 656R>
3	87-006-225-019		AM LOOP ANT NC2 <EXCEPT HE, HK, HR>
3	87-006-240-019		AM LOOP ANT CON (KO) <HE, HK, HR>
4	87-043-106-019		FM, WIRE ANT (Z) <656R, K, EE, EZ>
4	87-043-115-01B		ANT, FEEDER FM <HE, HK, HR, LH, U>
5	87-043-095-019		ANTENNA WIRE <HE, HK, HR>
6	87-099-789-019		PLUG, ADPTR IR44 <HE, HR, LH>

DISASSEMBLY INSTRUCTIONS

矢印の位置にマイナスドライバーを差し込んで、パネルをはずして、各々のスピーカー・ユニットのビスを取り、スピーカー・ユニットをはずしてください。

Insert a flat - bladed screwdriver into the position indicated by the arrows and remove the panel.

Remove the screws of each speaker unit and then remove the speaker units.



■ SPEAKER PARTS LIST

DESCRIPTIONで判断できない物は“REFERENCE NAME LIST”を参照してください。
If can't understand for Description please kindly refer to “REFERENCE NAME LIST”.

REF. NO	PART NO.	カリ NO.	DESCRIPTION
1	85-NS3-001-010		GRILL FR.
2	85-NS3-005-010		RING W.
3	85-NS3-014-010		PANEL TW ASSY
4	85-NS3-015-010		GRILL FRAME ASSY
5	85-NS3-602-010		SPEAKER WOOFER
6	85-NS3-604-010		SPEAKER TWEETER
7	83-096-614-010		SPEAKER CORD
8	83-149-611-010		TERMINAL

MODEL NO.

RX-N757/757R/656R

ELECTRICAL MAIN PARTS LIST

DESCRIPTIONで判断できない物は“REFERENCE NAME LIST”を参照してください。
If can't understand for Description please kindly refer to “REFERENCE NAME LIST”.

REF. NO	PART NO.	カリ NO.	DESCRIPTION	REF. NO	PART NO.	カリ NO.	DESCRIPTION
IC							
	87-017-885-010		IC,NJM2177AF		87-020-125-089		C-DIODE,1SS181
	87-017-787-010		IC,M62412P		87-017-174-089		ZENER,HZS11A3L
	87-001-607-089		IC,NJM4558M		87-017-147-089		ZENER,HZS33-2
	87-017-022-089		IC,NJM2068M-D(T1)		87-001-408-080		DIODE,GP 15B
	87-002-272-089		IC,TC4052 BF		87-070-178-099		DIODE,IN5402-BD54<EXCEPT 656R>
	87-002-872-040		IC,MC 14053 BF		87-017-091-089		ZENER,HZS5C1<EXCEPT 656R>
	87-017-888-089		IC,NJM4558MD		87-001-731-089		ZENER,HZS6C2L
	87-020-966-019		IC,STK4142-MK2<656R>		87-001-911-089		ZENER,UTZJ4.7A (TAPG)
	87-020-982-019		IC,STK4162-MK2<K,EE,U,EZ>		87-001-290-089		ZENER,HZS6B1L
	87-001-903-019		STK-4172-2<HE,HK,HR,LH>		87-002-225-019		DIODE,DBF 40C-K10
	87-017-375-089		IC,TC4094BF		87-017-148-089		ZENER,HZS6A1L
	87-002-967-089		IC,BU4052 BF	MAIN C.B			
	87-070-205-019		IC,TC9299P	C101	87-016-043-099		CAP,E 3300-50 VR<EXCEPT 656R>
	87-070-232-019		IC,BA3834S	C101	87-016-055-099		CAP,E 3300-42 HI-R<656R>
	87-017-449-010		IC,XR-1071CP<EXCEPT 656R>	C102	87-016-043-099		CAP,E 3300-50 VR<EXCEPT 656R>
	87-070-184-040		IC,M65846FP-600D	C102	87-016-055-099		CAP,E 3300-42 HI-R<656R>
	87-017-673-019		IC,BA3837	C104	87-010-237-089		CAP,E 1000-16
	87-070-163-019		IC,STK405-030				
	87-002-909-180		IC,TDA7330AD-013TR<656R,K,EE,EZ>	C105	87-010-381-089		CAP,E 330-16 SME
	87-001-792-089		IC,NJM2100M<656R,K,EE,EZ>	C106	87-015-914-089		CAP,E 47-100
	87-070-127-019		IC,LC72131	C106	87-016-285-089		CAP,E 47-100 SME
	87-017-714-019		IC,LA1836	C107	87-010-407-089		CAP,E 33-50 SME<EXCEPT 656R>
	85-NT3-650-010		IC,LC866440W-5805<HE,HK,HR,LH,U>	C107	87-010-260-089		CAP,E 47-25 SME<656R>
	85-NT3-649-010		IC,LC866440W-5827<656R,K,EE,EZ>	C108	87-010-407-089		CAP,E 33-50 SME<EXCEPT 656R>
	87-017-373-019		IC,NJH32H380A	C108	87-010-260-089		CAP,E 47-25 SME<656R>
				C109	87-010-263-089		CAP,E 100-10 SME 5X11
TRANSISTOR				C112	87-010-237-089		CAP,E 1000-16
	87-026-210-089		C-TR,DTC144EK T147	C113	87-010-403-089		CAP,E 3.3-50 SME
	89-213-702-019		TR,2SB1370E	C115	87-012-368-089		C-CAP,S 0.1-50F
	89-318-155-089		TR,2SC1815GR	C116	87-012-140-089		C-CAP,S 470P-50 CH
	87-026-609-089		TR,DTA1266GR	C118	87-012-368-089		C-CAP,S 0.1-50F
	87-026-610-089		TR,KTC3198GR	C119	87-010-404-089		CAP,E 4.7-50 SME
	89-327-125-089		C-TR,2SC2712GR	C120	87-010-404-089		CAP,E 4.7-50 SME
	89-332-665-089		TR,2SC3266GR	C152	87-010-374-089		CAP,E 47-10
	89-420-053-089		TR,2SD2005R<U>	C161	87-010-410-089		CAP,E 330-50 SME<EXCEPT 656R>
	89-111-625-089		C-TR,2SA1162GR	C161	87-010-408-089		CAP,E 47-50 SME<656R>
	87-026-658-010		FET 2SJ176<EXCEPT 656R>	C162	87-010-404-089		CAP,E 4.7-50 SME
	89-510-940-010		FET 2SK1094<EXCEPT 656R>	C163	87-010-404-089		CAP,E 4.7-50 SME
	89-322-405-089		TR,2SC2240GR<EXCEPT 656R>	C171	87-010-453-099		CAP,ELECT 4700-25V SME
	89-333-266-089		C-TR,2SC3326B	C172	87-010-453-099		CAP,E 4700-25V SME<EXCEPT 656R>
	87-026-232-089		C-TR,DTA144WK	C173	87-012-368-089		C-CAP,S 0.1-50F
	87-026-213-089		C-TR,DTC114YK	C174	87-012-368-089		C-CAP,S 0.1-50F
	89-113-187-889		TR,2SA1318TU	C175	87-018-209-089		CAP,TC-U 0.1-50 F
	89-406-555-089		TR,2SD655E	C176	87-018-209-089		CAP,TC-U 0.1-50 F
	87-026-238-089		C-TR,DTC144WK	C177	87-018-209-089		CAP,TC-U 0.1-50 F
	89-316-236-089		TR,2SC 1623 L6	C191	87-010-213-089		C-CAP,S 0.015-50 B
	87-026-214-089		TR,DTA114YS	C192	87-010-213-089		C-CAP,S 0.015-50 B
	89-327-143-089		C-TR,2SC2714 (O)	C251	87-010-404-089		CAP,E 4.7-50 SME
	87-026-226-089		C-TR,DTA143EK	C252	87-010-404-089		CAP,E 4.7-50 SME
	87-026-211-089		C-TR,DTA144EK T147	C253	87-010-182-089		C-CAP,S 2200P-50 B
	89-318-154-089		TR,2SC1815Y<HE,HK,HR>	C254	87-010-182-089		C-CAP,S 2200P-50 B
	87-026-462-089		TR,2SC1740S (RS)<HE,HK,HR>	C255	87-010-406-089		CAP,E 22-50 SME
	89-320-011-089		TR,2SC2001K<HE,HK,HR>	C256	87-010-406-089		CAP,E 22-50 SME
	89-505-434-589		C-FET,2SK543 (4/5)	C257	87-010-545-089		CAP,E 0.22-50 SME<U>
				C257	87-010-400-089		CAP,E 0.47-50 SME<EXCEPT U>
				C258	87-010-545-089		CAP,E 0.22-50 SME<U>
				C258	87-010-400-089		CAP,E 0.47-50 SME<EXCEPT U>
				C259	87-010-260-089		CAP,E 47-25 SME
DIODE							
	87-017-447-010		DIODE,GBU4DL	C260	87-010-260-089		CAP,E 47-25 SME
	87-017-654-060		DIODE,GBU6J<EXCEPT 656R>	C263	87-010-154-089		C-CAP,S 10P-50 CH
	87-020-465-089		DIODE,ISS133	C264	87-010-154-089		C-CAP,S 10P-50 CH
	87-020-027-089		C-DIODE,1SS184	C265	87-010-260-089		CAP,E 47-25 SME
	87-017-978-089		DIODE,IN4003	C266	87-010-260-089		CAP,E 47-25 SME

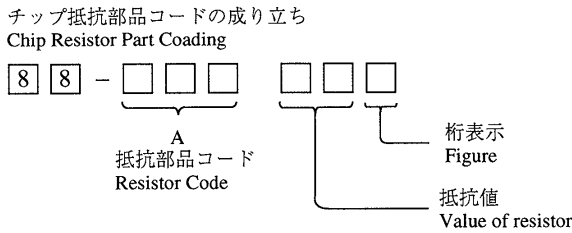
REF. NO	PART NO.	カリ NO.	DESCRIPTION	REF. NO	PART NO.	カリ NO.	DESCRIPTION
C267	87-012-368-089		C-CAP S 0.1-50F	C673	87-010-197-089		C-CAP, S 0.01-25 B<656R, K, EE, EZ>
C268	87-012-368-089		C-CAP S 0.1-50F	C674	87-010-248-089		CAP, E 220-10 SME<656R, K, EE, EZ>
C269	87-012-361-089		C-CAP, S 0.056-25 Y	C675	87-010-315-089		C-CAP, S 27P-50 CH<656R, K, EE, EZ>
C270	87-012-361-089		C-CAP, S 0.056-25 Y	C676	87-010-317-089		C-CAP, S 39P-50 CH<656R, K, EE, EZ>
C273	87-010-186-089		C-CAP, S 4700P-50 B<656R, K, EE, EZ>	C678	87-010-196-089		C-CAP, S 0.1-25 F<656R, K, EE, EZ>
C274	87-010-196-089		C-CAP, S 0.1-25 F	C679	87-010-182-089		C-CAP, S 2200P-50 B<656R, K, EE, EZ>
C301	87-010-196-089		C-CAP, S 0.1-25 F	C701	87-010-381-089		CAP, E 330-16 SME
C302	87-010-260-089		CAP, E 47-25 SME	C702	87-010-404-089		CAP, E 4.7-50 SME
C303	87-010-544-089		CAP, E 0.1-50<656R, K, EE, EZ>	C703	87-010-197-089		C-CAP, S 0.01-25 B
C303	87-010-546-089		CAP, E 0.33-50 SME<HE, HK, HR, LH, U>	C704	87-010-197-089		C-CAP, S 0.01-25 B
C304	87-010-544-089		CAP, E 0.1-50<656R, K, EE, EZ>	C711	87-010-263-089		CAP, E 100-10 SME 5X11
C304	87-010-546-089		CAP, E 0.33-50 SME<HE, HK, HR, LH, U>	C712	87-010-196-089		C-CAP, S 0.1-25 F
C305	87-010-400-089		CAP, E 0.47-50 SME	C722	87-010-154-089		C-CAP, S 10P-50 CH<HE, HK, HR>
C306	87-010-400-089		CAP, E 0.47-50 SME	C722	87-010-311-089		C-CAP, S 12P-50CH<EXCEPT HE, HK, HR>
C307	87-010-213-089		C-CAP, S 0.015-50 B<EXCEPT LH, U>	C723	87-010-178-089		C-CAP, S 1000P-50 B
C307	87-010-198-089		C-CAP, S 0.022-25 B<LH, U>	C725	87-010-178-089		C-CAP, S 1000P-50 B
C308	87-010-213-089		C-CAP, S 0.015-50 B<EXCEPT LH, U>	C727	87-010-196-089		C-CAP, S 0.1-25 F
C308	87-010-198-089		C-CAP, S 0.022-25 B<LH, U>	C728	87-010-248-089		CAP, E 220-10 SME
C310	87-010-196-089		C-CAP, S 0.1-25 F	C755	87-010-196-089		C-CAP, S 0.1-25 F
C313	87-010-178-089		C-CAP, S 1000P-50B<HE, HK, HR, LH, U>	C756	87-010-196-089		C-CAP, S 0.1-25 F
C314	87-010-178-089		C-CAP, S 1000P-50B<HE, HK, HR, LH, U>	C771	87-010-405-089		CAP, E 10-50 SME
C349	87-012-142-089		C-CAP, S 0.33-16 F	C772	87-010-194-089		C-CAP, S 0.047-25 F
C350	87-016-081-089		C-CAP, S 0.1-16 RK	C773	87-010-196-089		C-CAP, S 0.1-25 F
C351	87-016-081-089		C-CAP, S 0.1-16 RK	C774	87-010-263-089		CAP, E 100-10 SME 5X11
C355	87-012-156-089		C-CAP, S 220P-50 CH	C775	87-010-405-089		CAP, E 10-50 SME
C356	87-012-156-089		C-CAP, S 220P-50 CH	C776	87-010-197-089		C-CAP, S 0.01-25B<EXCEPT HE, HK, HR>
C357	87-012-156-089		C-CAP, S 220P-50 CH	C777	87-010-400-089		CAP, E 0.47-50 SME
C383	87-012-154-089		C-CAP, S 150P-50CH<656R, K, EE, U, EZ>	C778	87-010-401-089		CAP, E 1-50 SME
C384	87-012-154-089		C-CAP, S 150P-50CH<656R, K, EE, U, EZ>	C779	87-010-401-089		CAP, E 1-50 SME
C401	87-010-401-089		CAP, E 1-50 SME<EXCEPT 656R>	C780	87-010-197-089		C-CAP, S 0.01-25 B
C402	87-010-405-089		CAP, E 10-50 SME<EXCEPT 656R>	C781	87-010-405-089		CAP, E 10-50 SME
C403	87-010-101-089		CAP, E 220-16 SME<EXCEPT 656R>	C782	87-010-405-089		CAP, E 10-50 SME
C405	87-010-178-089		C-CAP, S 1000P-50 B<EXCEPT 656R>	C783	87-010-184-089		C-CAP, S 3300P-50 B<656R, K, EE, EZ>
C406	87-010-178-089		C-CAP, S 1000P-50 B<EXCEPT 656R>	C784	87-010-184-089		C-CAP, S 3300P-50 B<656R, K, EE, EZ>
C407	87-010-404-089		CAP, E 4.7-50 SME<EXCEPT 656R>	C787	87-010-184-089		C-CAP, S 3300P-50 B<HE, HK, HR, LH, U>
C408	87-010-404-089		CAP, E 4.7-50 SME<EXCEPT 656R>	C788	87-010-184-089		C-CAP, S 3300P-50 B<HE, HK, HR, LH, U>
C409	87-010-404-089		CAP, E 4.7-50 SME<EXCEPT 656R>	C789	87-010-179-089		C-CAP, S 1200P-50 B
C410	87-010-404-089		CAP, E 4.7-50 SME<EXCEPT 656R>	C790	87-010-179-089		C-CAP, S 1200P-50 B
C411	87-010-177-089		C-CAP, S 820P-50 SL<EXCEPT 656R>	C791	87-010-401-089		CAP, E 1-50 SME
C412	87-010-177-089		C-CAP, S 820P-50 SL<EXCEPT 656R>	C792	87-010-180-089		C-CAP, S 1500P-50B<HE, HK, HR, LH, U>
C413	87-010-404-089		CAP, E 4.7-50 SME<EXCEPT 656R>	C792	87-010-182-089		C-CAP, S 2200P-50 B<656R, K, EE, EZ>
C414	87-010-404-089		CAP, E 4.7-50 SME<EXCEPT 656R>	C793	87-010-189-089		C-CAP, S 8200P-50 B
C415	87-010-400-089		CAP, E 0.47-50 SME<EXCEPT 656R>	C794	87-010-408-089		CAP, E 47-50 SME
C416	87-010-400-089		CAP, E 0.47-50 SME<EXCEPT 656R>	C795	87-010-194-089		C-CAP, S 0.047-25 F
C417	87-010-197-089		C-CAP, S 0.01-25 B<EXCEPT 656R>	C796	87-010-403-089		CAP, E 3.3-50 SME
C418	87-010-197-089		C-CAP, S 0.01-25 B<EXCEPT 656R>	C797	87-010-405-089		CAP, E 10-50 SME
C419	87-010-184-089		C-CAP, S 3300P-50 B<EXCEPT 656R>	C798	87-010-196-089		C-CAP, S 0.1-25F<EXCEPT HE, HK, HR>
C420	87-010-184-089		C-CAP, S 3300P-50 B<EXCEPT 656R>	C799	87-010-186-089		C-CAP, S 4700P-50 B<656R, K, EE, EZ>
C421	87-012-155-089		C-CAP, S 180P-50 CH<EXCEPT 656R>	C800	87-010-186-089		C-CAP, S 4700P-50 B<656R, K, EE, EZ>
C422	87-012-155-089		C-CAP, S 180P-50 CH<EXCEPT 656R>	C801	87-018-134-089		CAP, TC-U 0.01-16Y<HE, HK, HR, LH, U>
C423	87-010-405-089		CAP, E 10-50 SME	C802	87-018-134-089		CAP, TC-U 0.01-16 Y
C424	87-010-405-089		CAP, E 10-50 SME	C814	87-010-197-089		C-CAP, S 0.01-25 B
C430	87-010-405-089		CAP, E 10-50 SME<EXCEPT 656R>	C817	87-010-197-089		C-CAP, S 0.01-25 B
C431	87-010-401-089		CAP, E 1-50 SME<EXCEPT 656R>	C818	87-010-197-089		C-CAP, S 0.01-25 B
C432	87-010-196-089		C-CAP, S 0.1-25 F	C819	87-010-197-089		C-CAP, S 0.01-25 B
C500	87-010-194-089		C-CAP, S 0.047-25 F	C820	87-010-260-089		CAP, E 47-25 SME
C501	87-010-545-089		CAP, E 0.22-50 SME	C821	87-010-197-089		C-CAP, S 0.01-25 B
C502	87-010-382-089		CAP, E 22-25 SME	C822	87-010-197-089		C-CAP, S 0.01-25 B
C503	87-010-404-089		CAP, E 4.7-50 SME	C823	87-010-197-089		C-CAP, S 0.01-25 B
C504	87-010-404-089		CAP, E 4.7-50 SME	C824	87-010-196-089		C-CAP, S 0.1-25 F
C505	87-010-546-089		CAP, E 0.33-50 SME<EXCEPT 656R>	C825	87-010-196-089		C-CAP, S 0.1-25 F
C505	87-010-405-089		CAP, E 10-50 SME<656R>	C830	87-018-134-089		CAP, TC-U 0.01-16 Y
C506	87-010-546-089		CAP, E 0.33-50 SME<EXCEPT 656R>	C831	87-010-197-089		C-CAP, S 0.01-25 B
C506	87-010-405-089		CAP, E 10-50 SME<656R>	C840	87-010-197-089		C-CAP, S 0.01-25 B
C507	87-010-196-089		C-CAP, S 0.1-25 F	C841	87-010-196-089		C-CAP, S 0.1-25 F
C508	87-010-260-089		CAP, E 47-25 SME	C842	87-010-196-089		C-CAP, S 0.1-25 F
C509	87-010-405-089		CAP, E 10-50 SME	C850	87-018-209-089		CAP, TC-U 0.1-50F<EXCEPT HE, HK, HR>
C670	87-010-178-089		C-CAP, S 1000P-50 B<656R, K, EE, EZ>	C852	87-018-209-089		CAP, TC-U 0.1-50F<EXCEPT HE, HK, HR>
C671	87-012-156-089		C-CAP, S 220P-50 CH<656R, K, EE, EZ>	C941	87-010-197-089		C-CAP, S 0.01-25 B<656R, K, EE, EZ>
C672	87-010-405-089		CAP, E 10-50 SME<656R, K, EE, EZ>	C942	87-010-311-089		C-CAP, S 12P-50 CH<656R, K, EE, EZ>

REF. NO	PART NO.	カリ NO.	DESCRIPTION	REF. NO	PART NO.	カリ NO.	DESCRIPTION
C944	87-010-154-089		C-CAP, S 10P-50 CH<656R, K, EE, EZ>	C206	87-015-695-049		CAP, E 1-50 7L
C945	87-014-050-089		CAP, PP 510P-100 J<656R, K, EE, EZ>	C207	87-010-754-049		CAP, E 220-10 SRA 7L
C946	87-010-401-089		CAP, E 1-50 SME	C301	87-010-196-089		C-CAP, S 0.1-25 F
C947	87-010-197-089		C-CAP, S 0.01-25 B	C401	87-010-196-089		C-CAP, S 0.1-25 F
C948	87-010-196-089		C-CAP, S 0.1-25 F<656R, K, EE, EZ>	C402	87-010-196-089		C-CAP, S 0.1-25 F
C949	87-010-197-089		C-CAP, S 0.01-25B<EXCEPT HE, HK, HR>	C403	87-010-196-089		C-CAP, S 0.1-25 F
C950	87-010-322-089		C-CAP, S100P-50CH<EXCEPT HE, HK, HR>	C404	87-010-196-089		C-CAP, S 0.1-25 F
C951	87-010-401-089		CAP, E 1-50 SME<EXCEPT HE, HK, HR>	C405	87-010-322-089		C-CAP, S 100P-50 CH
C952	87-010-311-089		C-CAP, S 12P-50 CH<LH, U>	C409	87-010-196-089		C-CAP, S 0.1-25 F
C983	87-010-544-089		CAP, E 0.1-50<EXCEPT HE, HK, HR>	C501	87-010-060-049		CAP, E 100-16 7L
C987	87-010-196-089		C-CAP, S 0.1-25 F	C601	87-010-405-049		CAP, E 10-50 SME
C988	87-010-197-089		C-CAP, S 0.01-25 B<EXCEPT LH, U>	C602	87-010-176-089		C-CAP, S 680P-50 SL
C990	87-010-197-089		C-CAP, S 0.01-25B<EXCEPT HE, HK, HR>	C603	87-010-196-089		C-CAP, S 0.1-25 F
C995	87-010-197-089		C-CAP, S 0.01-25 B	C605	87-010-319-089		C-CAP, S 56P-50 CH
CF801	87-008-423-019		CF, SFE10.7 MS3G-A<656R, K, EE, EZ>	C606	87-012-142-089		C-CAP, S 0.33-16 F
CF801	87-008-261-019		FLTR, SFE10.7MA5-A<HE, HK, HR, LH, U>	C607	87-010-196-089		C-CAP, S 0.1-25 F
CF802	82-785-747-019		CF, MS2 GHY, R<656R, K, EE, EZ>	C608	87-010-322-089		C-CAP, S 100P-50 CH
CF802	87-008-261-019		FLTR, SFE10.7MA5-A<HE, HK, HR, LH, U>	C609	87-010-545-049		CAP E 0.22-50 SME
FFE801	85-NF5-605-019		FE PACK 2 EX<HE, HK, HR, LH, U>	C610	87-012-155-089		C-CAP, S 180P-50 CH
FFE801	84-CF3-646-019		FE PACK 4<656R, K, EE, EZ>	C611	87-010-406-049		CAP, E 22-50 SME
J251	87-033-226-019		TERMINAL, SP 4P (JT)	C614	87-010-248-049		CAP, E 220-10 SME
J252	87-099-678-019		JACK, 6.3 W/S BLK<656R>	C615	87-010-401-049		CAP, E 1-50 SME
J252	87-099-794-019		JACK, 6.3 W/S BLK<EXCEPT 656R>	C646	87-010-196-089		C-CAP, S 0.1-25 F
J253	87-099-475-019		JACK, PIN 3P BLK W/E	C655	87-010-404-089		CAP, E 4.7-50 SME<656R>
J301	80-MT3-616-019		JACK, PIN 2P	C656	87-010-404-089		CAP, E 4.7-50 SME<656R>
J801	82-NF5-621-019		ANTTERM JBT 0222<HE, HK, HR, LH, U>	C901	87-015-681-049		CAP, E 10-16 7L
J801	87-033-230-019		TERM, ANT AJ-2016<656R, K, EE, EZ>	C902	87-010-196-089		C-CAP, S 0.1-25 F
L192	87-005-366-019		COIL, 1UH	C903	87-010-180-089		C-CAP, S 1500P-50 B
L193	87-005-366-019		COIL, 1UH	C904	87-010-196-089		C-CAP, S 0.1-25 F
L671	87-003-098-089		COIL, 2.2UH<656R, K, EE, EZ>	C906	87-012-155-089		C-CAP, S 180P-50 CH
L701	81-631-643-019		COIL 1 POLE MPX<HE, HK, HR, LH, U>	C907	87-010-150-089		C-CAP, S 6P-50 CH
L701	83-DS3-614-019		FLTR, MPX 85K<656R, K, EE, EZ>	C908	87-010-178-089		C-CAP, S 1000P-50 B
L702	81-631-643-019		COIL 1 POLE MPX<HE, HK, HR, LH, U>	FC1	85-912-191-219		FF-CABLE, 12P 1.25<EXCEPT 656R>
L702	83-DS3-614-019		FLTR, MPX 85K<656R, K, EE, EZ>	FL901	85-NT3-652-019		FL, BJ371GK
L741	87-006-253-019		COIL, FM DET N	J601	82-NF7-630-019		JACK, 3.5 MO
L742	81-631-612-019		CFMT 450A<HE, HK, HR>	J621	82-NF7-630-019		JACK, 3.5 MO
L742	82-NT1-659-019		FLTR, CFAZ450 2NT<EXCEPT HE, HK, HR>	L901	87-007-339-019		COIL, CLOCK 5.76MHZ
L770	87-003-102-089		COIL, 10UH	LED301	87-017-297-080		LED, SEL1550CM TP7
L832	87-003-098-089		COIL, 2.2UH	LED302	87-017-297-080		LED, SEL1550CM TP7<EXCEPT K, EE, EZ>
L941	87-006-208-019		COIL, ANT LW<656R, K, EE, EZ>	LED303	87-017-297-080		LED, SEL1550CM TP7
L942	87-007-305-019		COIL OSC LW S<656R, K, EE, EZ>	LED304	87-017-297-080		LED, SEL1550CM TP7
L981	81-MX4-620-019		AM PACK 3, S<LH, U>	LED305	87-017-297-080		LED, SEL1550CM TP7
L981	81-MX4-619-019		AM PACK 4<656R, K, EE, EZ>	LED306	87-017-297-080		LED, SEL1550CM TP7
R105	87-022-661-089		RES, M/F 0.22-2W J<U>	LED307	87-017-297-080		LED, SEL1550CM TP7
R105	87-022-050-089		RESIS METAL 1W-0.22J<EXCEPT U>	LED308	87-017-297-080		LED, SEL1550CM TP7
R106	87-022-661-089		RES, M/F 0.22-2W J<U>	LED309	87-017-297-080		LED, SEL1550CM TP7
R106	87-022-050-089		RESIS METAL 1W-0.22J<EXCEPT U>	LED310	87-017-297-080		LED, SEL1550CM TP7
R283	87-022-050-089		RESIS METAL 1W-0.22J<EXCEPT U>	LED311	87-017-297-080		LED, SEL1550CM TP7
R290	87-022-050-089		RESIS METAL 1W-0.22J<EXCEPT U>	LED312	87-017-297-080		LED, SEL1550CM TP7
R295	87-022-394-089		RES, NF 0.47-1/4W J	LED313	87-070-012-080		LED, SEL1213C TP7
RY101	87-045-361-019		RELAY, DH12D2-OS (M) -2	LED314	87-070-011-080		LED, SEL1413E TP7
SFR722	87-024-171-089		SFR 4.7K DIA6 V	LED315	87-070-012-080		LED, SEL1213C TP7
TC701	87-011-253-089		TRIMER, 30P LAR	LED316	87-070-011-080		LED, SEL1413E TP7
TC942	87-011-253-089		TRIMER, 30P LAR<656R, K, EE, EZ>	LED317	87-070-012-080		LED, SEL1213C TP7
VR351	82-NF5-660-019		VR 50K BX2 RK14K 12A	LED318	87-070-011-080		LED, SEL1413E TP7
W101	81-MX4-647-019		F-CABEL, 7P-2.5	LED319	87-070-012-080		LED, SEL1213C TP7
X670	89-KT1-608-010		X, TAL 4.332MHZ<656R, K, EE, EZ>	LED320	87-070-011-080		LED, SEL1413E TP7
X703	84-508-618-019		VIB, CER CSB 456 F/5	S901	87-036-215-089		SW, TACT EVQ21404M
X721	87-030-163-019		VIB, XTAL 7.2MHZ<EXCEPT HE, HK, HR>	S902	87-036-215-089		SW, TACT EVQ21404M
X721	87-030-278-089		VIB, XTAL 7.2MHZ, S<HE, HK, HR>	S903	87-036-215-089		SW, TACT EVQ21404M
X722	87-030-354-019		VIB, CF BFU450C<HE, HK, HR>	S904	87-036-215-089		SW, TACT EVQ21404M
				S905	87-036-215-089		SW, TACT EVQ21404M
				S906	87-036-215-089		SW, TACT EVQ21404M
				S907	87-036-215-089		SW, TACT EVQ21404M
				S908	87-036-215-089		SW, TACT EVQ21404M
				S909	87-036-215-089		SW, TACT EVQ21404M
				S910	87-036-215-089		SW, TACT EVQ21404M
				S911	87-036-215-089		SW, TACT EVQ21404M
				S912	87-036-215-089		SW, TACT EVQ21404M
				S913	87-036-215-089		SW, TACT EVQ21404M
C201	87-010-408-049		CAP-E 47-50 SME				
C202	87-015-698-049		CAP, E 4.7-50 7L				
C203	87-010-404-049		CAP, E 4.7-50 SME				
C204	87-010-263-049		CAP, E 100-10				
C205	87-015-695-049		CAP, E 1-50 7L				

FRONT C.B

REF. NO	PART NO.	カリ NO.	DESCRIPTION	REF. NO	PART NO.	カリ NO.	DESCRIPTION
C301	87-010-197-089		C-CAP,S 0.01-25 B	C519	87-010-187-089		C-CAP,S 5600P-50 B
C302	87-010-402-089		CAP,E 2.2-50 SME	C520	87-010-182-089		C-CAP,S 2200P-50 B
C303	87-010-545-089		CAP,E 0.22-50 SME	C521	87-012-141-089		C-CAP,S 0.22-16 F
C304	87-010-405-089		CAP,E 10-50 SME	C524	87-010-184-089		C-CAP,S 3300P-50 B
C305	87-010-318-089		C-CAP,S 47P-50 CH	C611	87-012-140-089		C-CAP,S 470P-50 CH
C331	87-012-393-089		C-CAP,S 0.22-16,R,K	C612	87-012-140-089		C-CAP,S 470P-50 CH
C351	87-010-401-089		CAP;E 1-50 SME	C613	87-010-402-089		CAP,E 2.2-50 SME
C352	87-010-196-089		C-CAP,S 0.1-25 F	C614	87-010-402-089		CAP,E 2.2-50 SME
C401	87-010-248-089		CAP,E 220-10 SME	C615	87-010-194-089		C-CAP,S 0.047-25 F
C402	87-010-405-089		CAP,E 10-50 SME	C616	87-010-405-089		CAP,E 10-50 SME
C403	87-010-402-089		CAP,E 2.2-50 SME	C617	87-010-405-089		CAP,E 10-50 SME
C404	87-010-402-089		CAP,E 2.2-50 SME	C621	87-010-408-089		CAP,E 47-50 SME
C411	87-010-248-089		CAP,E 220-10 SME	C622	87-010-147-089		C-CAP,S 3P-50 CH
C412	87-010-405-089		CAP,E 10-50 SME	C623	87-010-147-089		C-CAP,S 3P-50 CH
C415	87-010-402-089		CAP,E 2.2-50 SME	C631	87-010-993-089		C-CAP,S 0.056-25 B
C416	87-010-402-089		CAP,E 2.2-50 SME	C632	87-010-993-089		C-CAP,S 0.056-25 B
C452	87-010-263-089		CAP,E 100-10 SME 5X11	C633	87-010-196-089		C-CAP,S 0.1-25 F
C455	87-010-402-089		CAP,E 2.2-50 SME	C634	87-010-196-089		C-CAP,S 0.1-25 F
C456	87-010-402-089		CAP,E 2.2-50 SME	C651	87-016-369-089		C-CAP,S 0.033-25 B<656R,K,EE,EZ>
C457	87-010-402-089		CAP,E 2.2-50 SME	C652	87-016-369-089		C-CAP,S 0.033-25 B<656R,K,EE,EZ>
C458	87-010-402-089		CAP,E 2.2-50 SME	C653	87-010-197-089		C-CAP,S 0.01-25 B
C459	87-010-405-089		CAP,E 10-50 SME	C681	87-010-197-089		C-CAP,S 0.01-25 B<656R,K,EE,EZ>
C471	87-010-402-089		CAP,E 2.2-50 SME	C720	87-010-398-099		CAP,E 2200-35V
C472	87-010-402-089		CAP,E 2.2-50 SME	C721	87-010-398-099		CAP,E 2200-35V
C481	87-010-402-089		CAP,E 2.2-50 SME	C722	87-012-369-089		C-CAP,S,0.047-50 F
C482	87-010-402-089		CAP,E 2.2-50 SME	C723	87-012-369-089		C-CAP,S,0.047-50 F
C501	87-010-177-089		C-CAP,S 820P-50 SL	C725	87-010-197-089		C-CAP,S 0.01-25 B
C502	87-010-179-089		C-CAP,S 1200P-50 B	J101	87-099-803-019		JACK,PIN 3P OWR
C503	87-010-263-089		CAP,E 100-10 SME 5X11	L501	87-005-487-089		COIL,150UH J FLR50
C504	87-010-263-089		CAP,E 100-10 SME 5X11	L601	87-003-383-019		COIL, 1UH-S<656R,K,EE,EZ>
C505	87-010-196-089		C-CAP,S 0.1-25 F	L602	87-003-383-019		COIL, 1UH-S<656R,K,EE,EZ>
C506	87-010-318-089		C-CAP,S 47P-50 CH	R117	87-025-407-089		RES,M/F 100K-1/8W
C507	87-010-317-089		C-CAP,S 39P-50 CH	R703	87-022-050-089		RESIS METAL 1W-0.22J
C508	87-010-151-089		C-CAP,S 7P-50 CH	R708	87-022-050-089		RESIS METAL 1W-0.22J
C510	87-010-197-089		C-CAP,S 0.01-25 B				
C512	87-010-179-089		C-CAP,S 1200P-50 B				
C513	87-010-196-089		C-CAP,S 0.1-25 F				
C516	87-010-196-089		C-CAP,S 0.1-25 F				
C517	87-010-404-089		CAP,E 4.7-50 SME				
C518	87-010-404-089		CAP,E 4.7-50 SME				

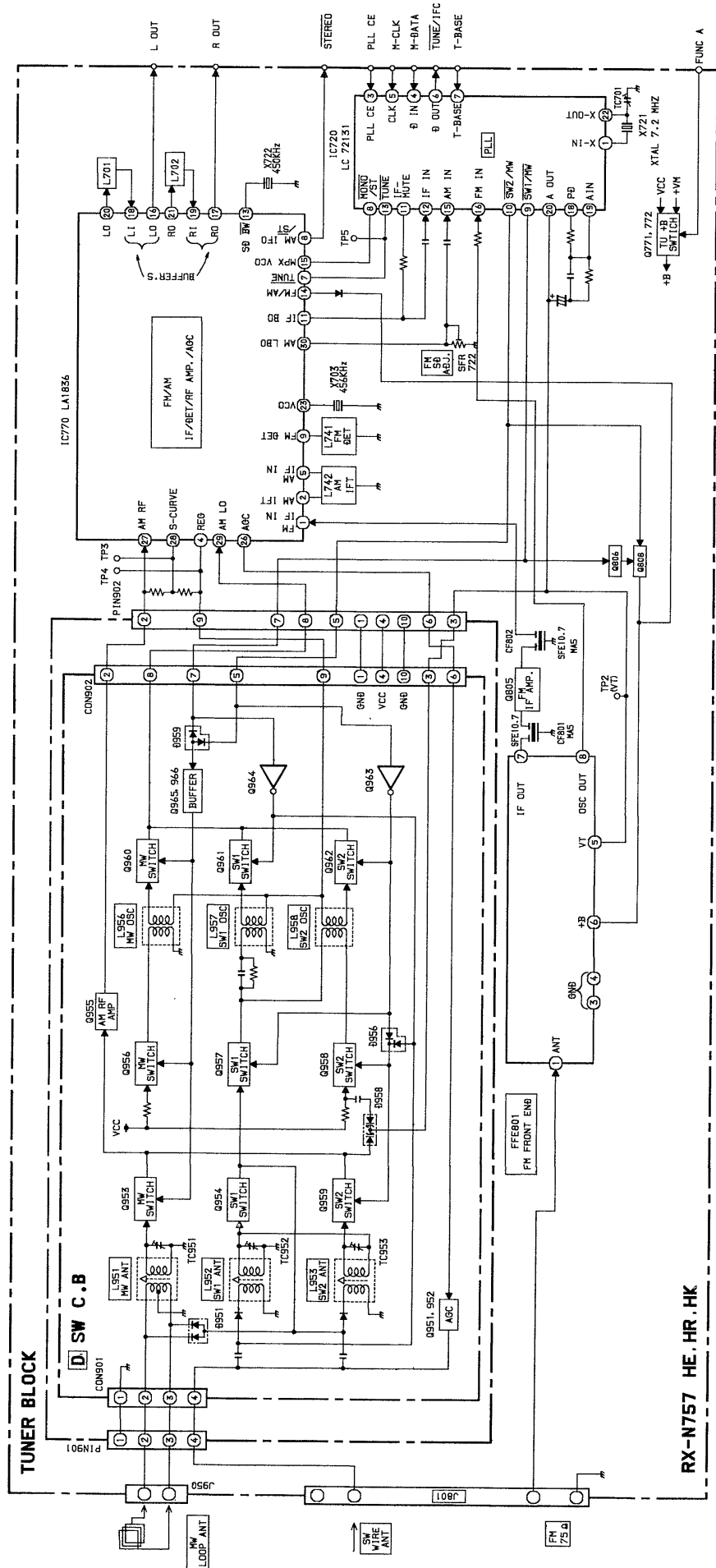
○ チップ抵抗部品コード / CHIP RESISTOR PART CODE



チップ抵抗
Chip resistor

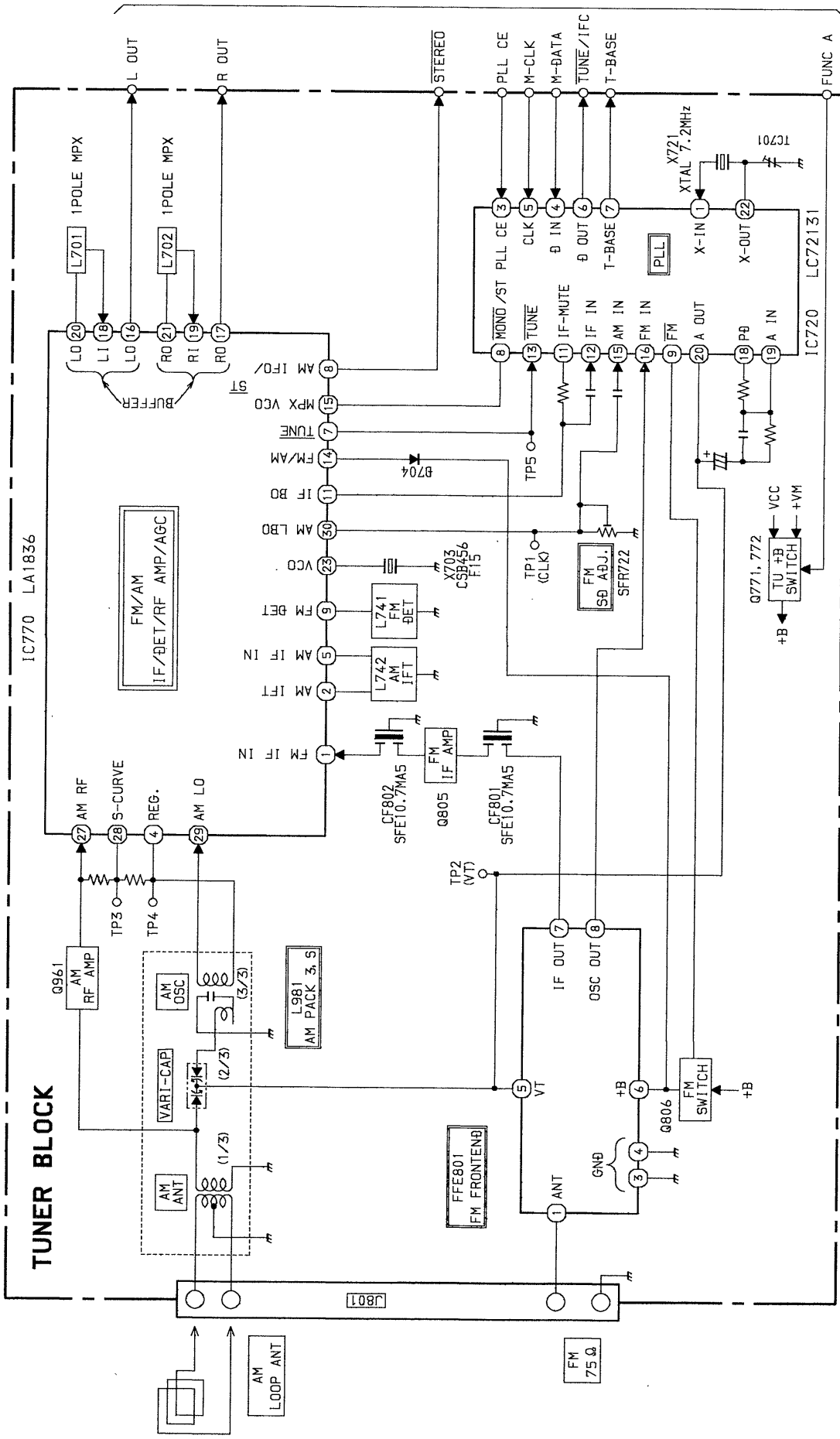
Wattage 容量	Type 種類	Tolerance 許容誤差	Symbol 記号	Dimensions / 寸法 (mm)			Resistor Code: A 抵抗コード : A	
				Form / 外形	L	W		t
1/32W	1608	±5%	CJ		1.6	0.8	0.35	108
1/10W	2125	±5%	CJ		2	1.25	1.45	118
1/8W	3216	±5%	CJ		3.2	1.6	0.5 ~0.7	128

BLOCK DIAGRAM-1 (TUNER: HE, HR, HK)

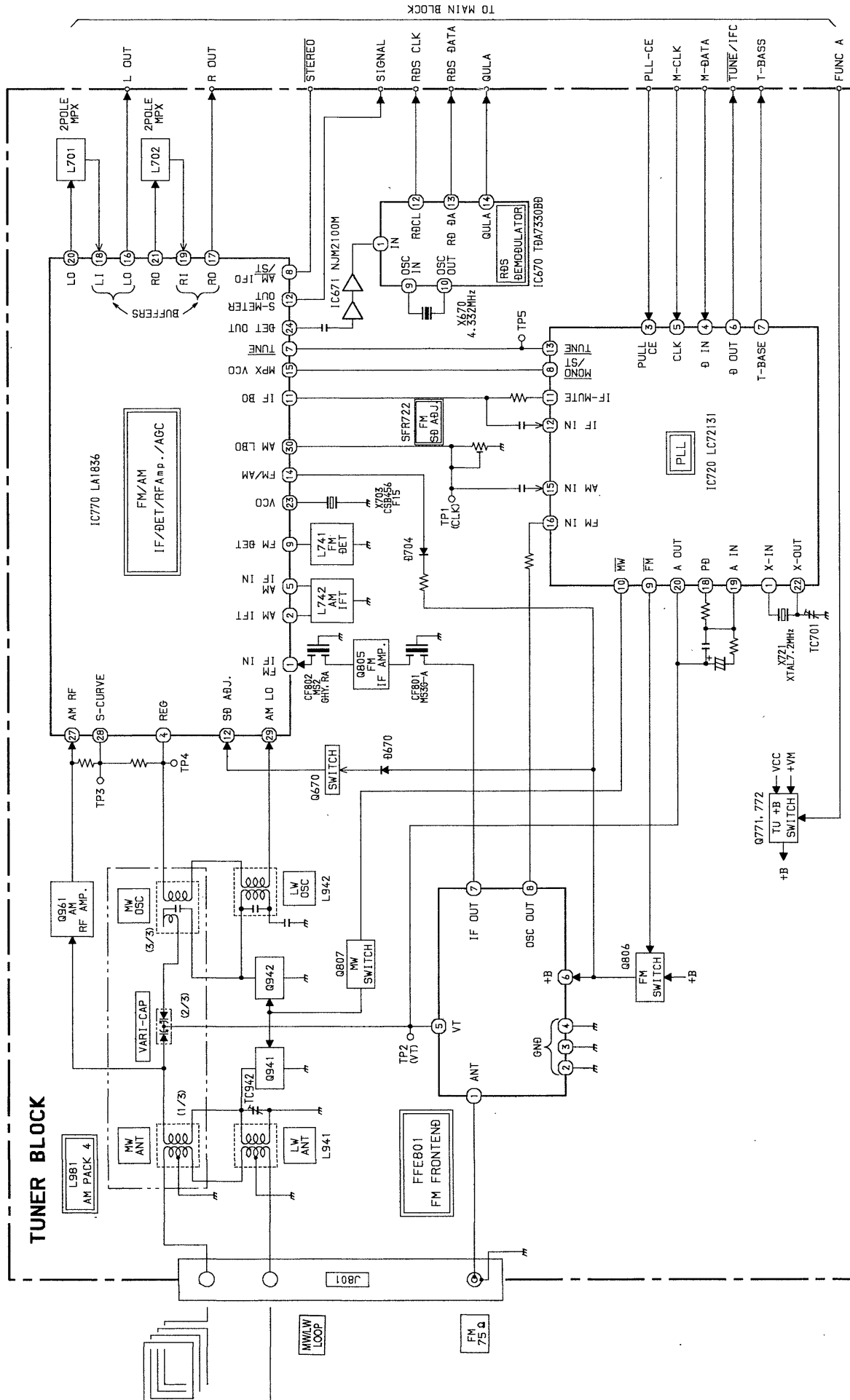


BLOCK DIAGRAM-2 (TUNER: LH, U)

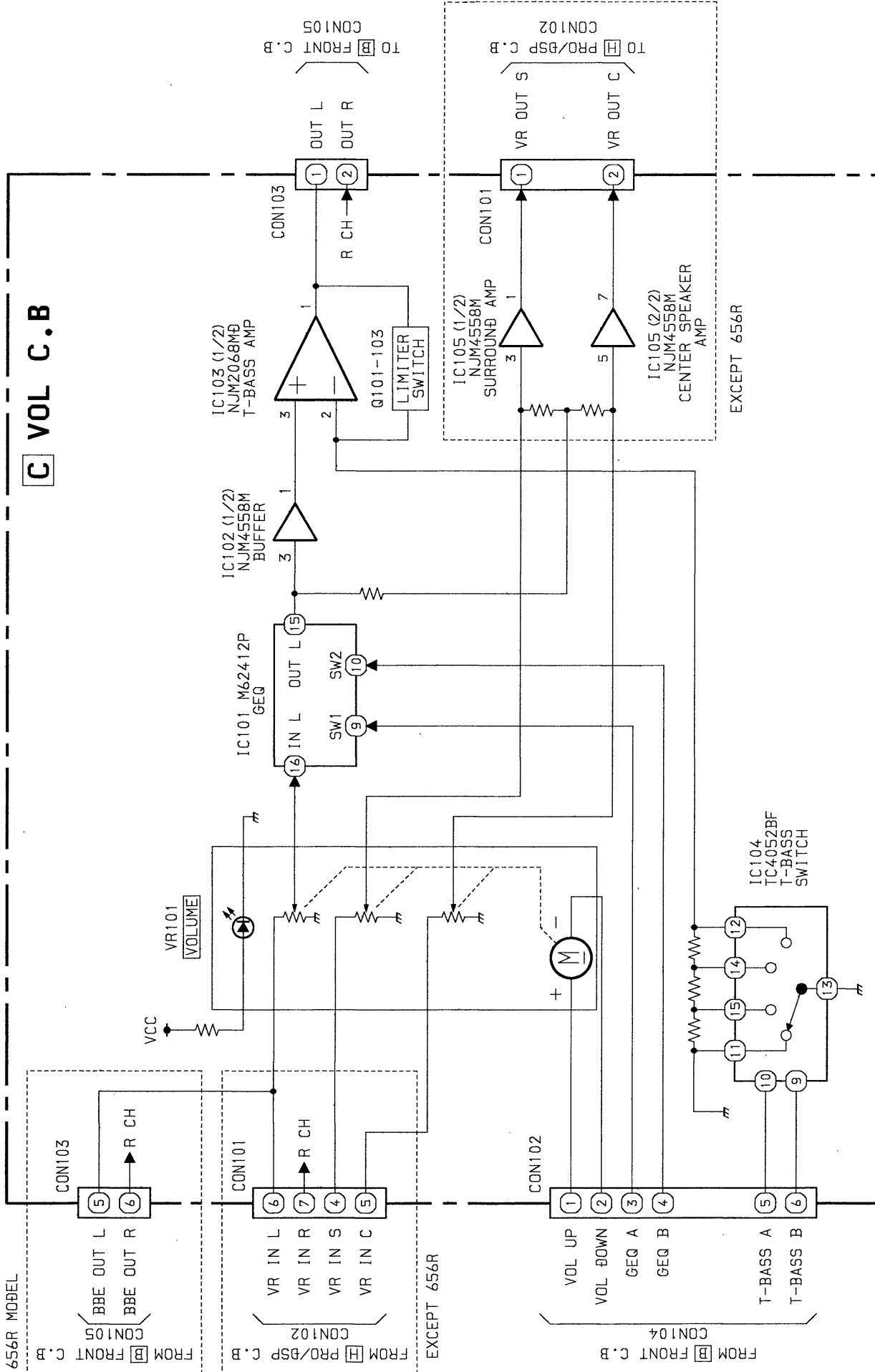
TO MAIN BLOCK



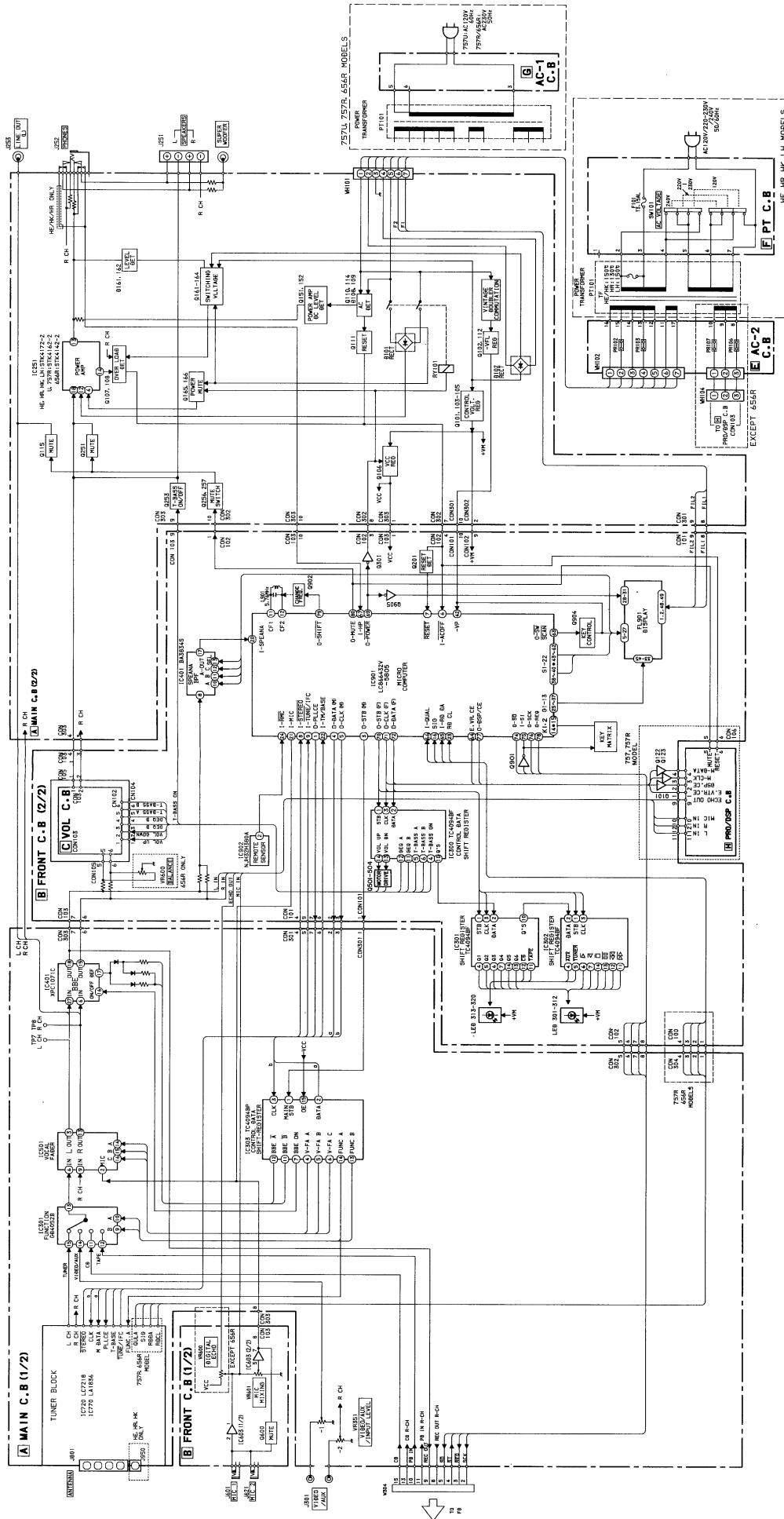
BLOCK DIAGRAM-3 (TUNER: 757R/656R)



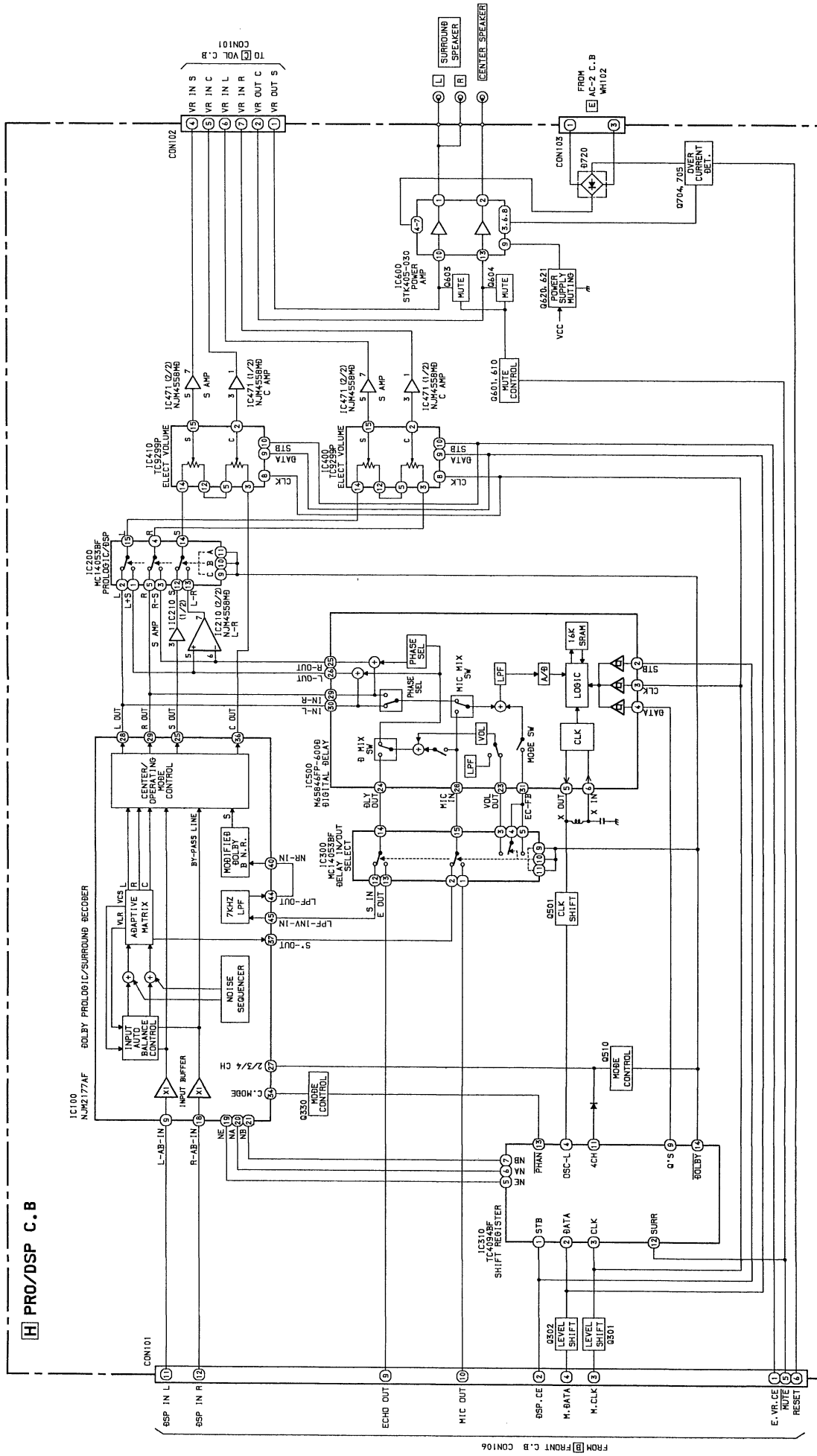
BLOCK DIAGRAM-4 (VOLUME)



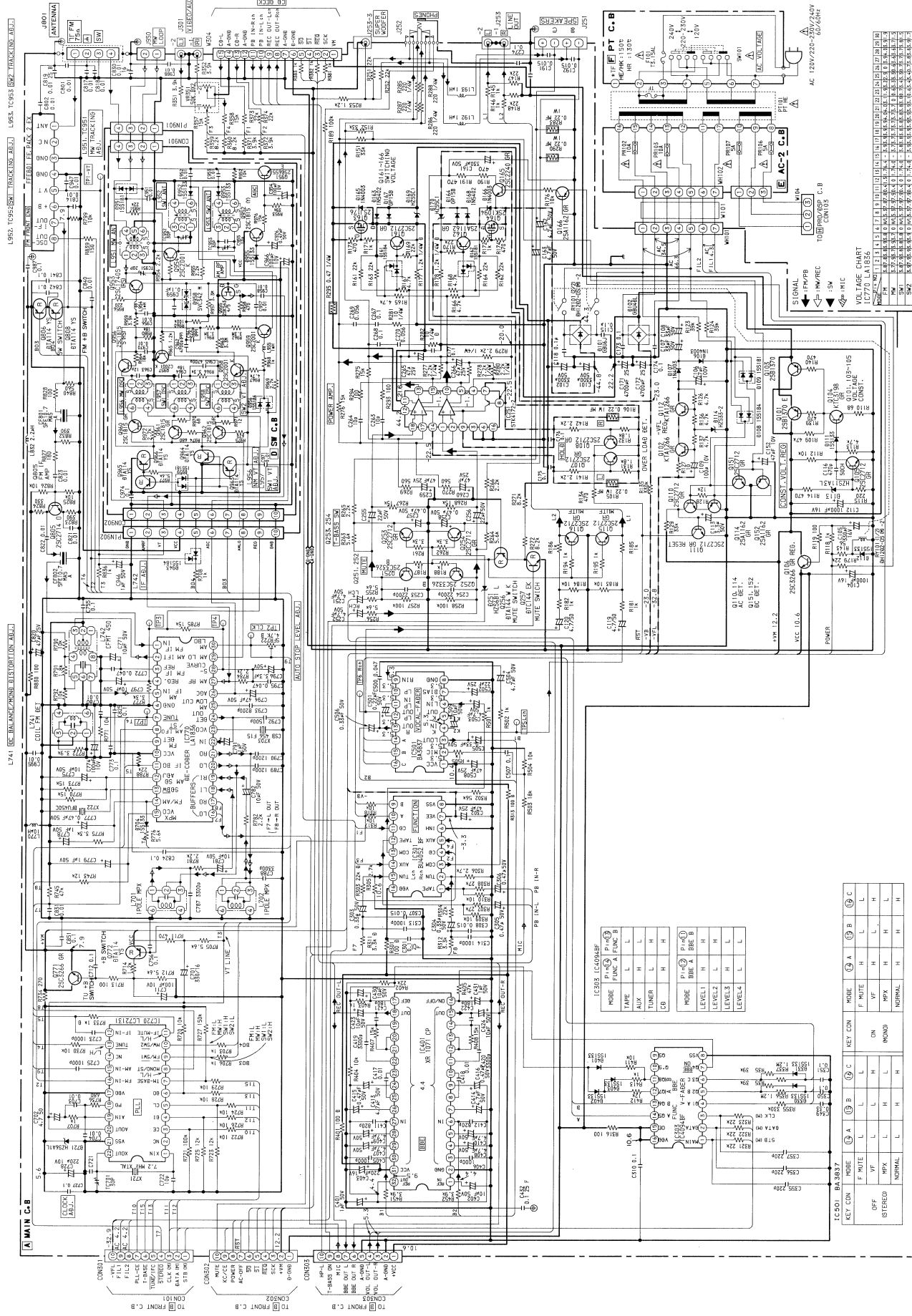
BLOCK DIAGRAM-5 (MAIN)



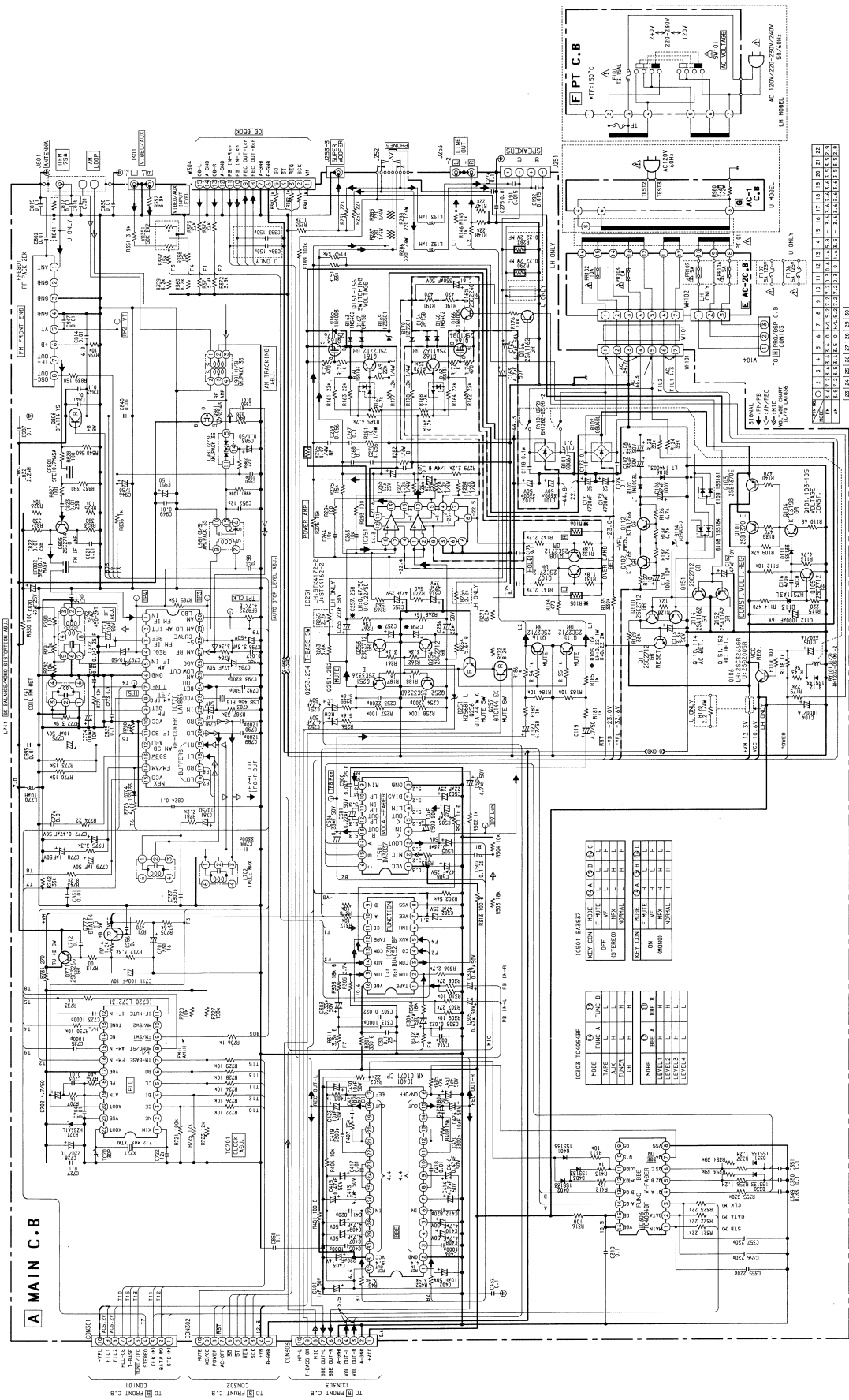
BLOCK DIAGRAM-6 (PRO / DSP / 757, 757R MODELS)



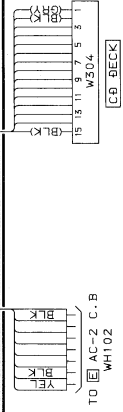
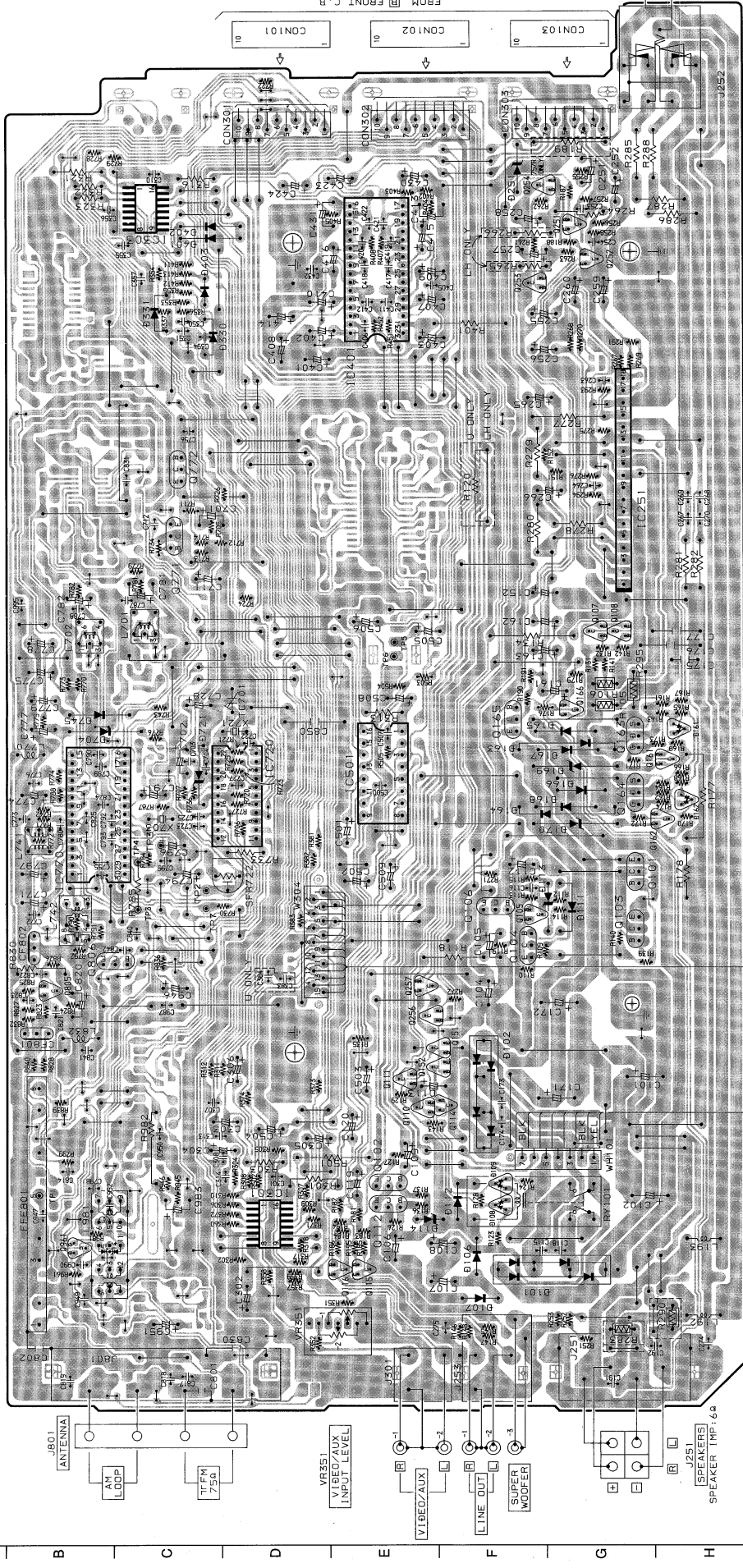
SCHEMATIC DIAGRAM-1 (MAIN: 757 HE, HK, HR)



SCHEMATIC DIAGRAM-2 (MAIN: 757 LH, U)



A MAIN C.B

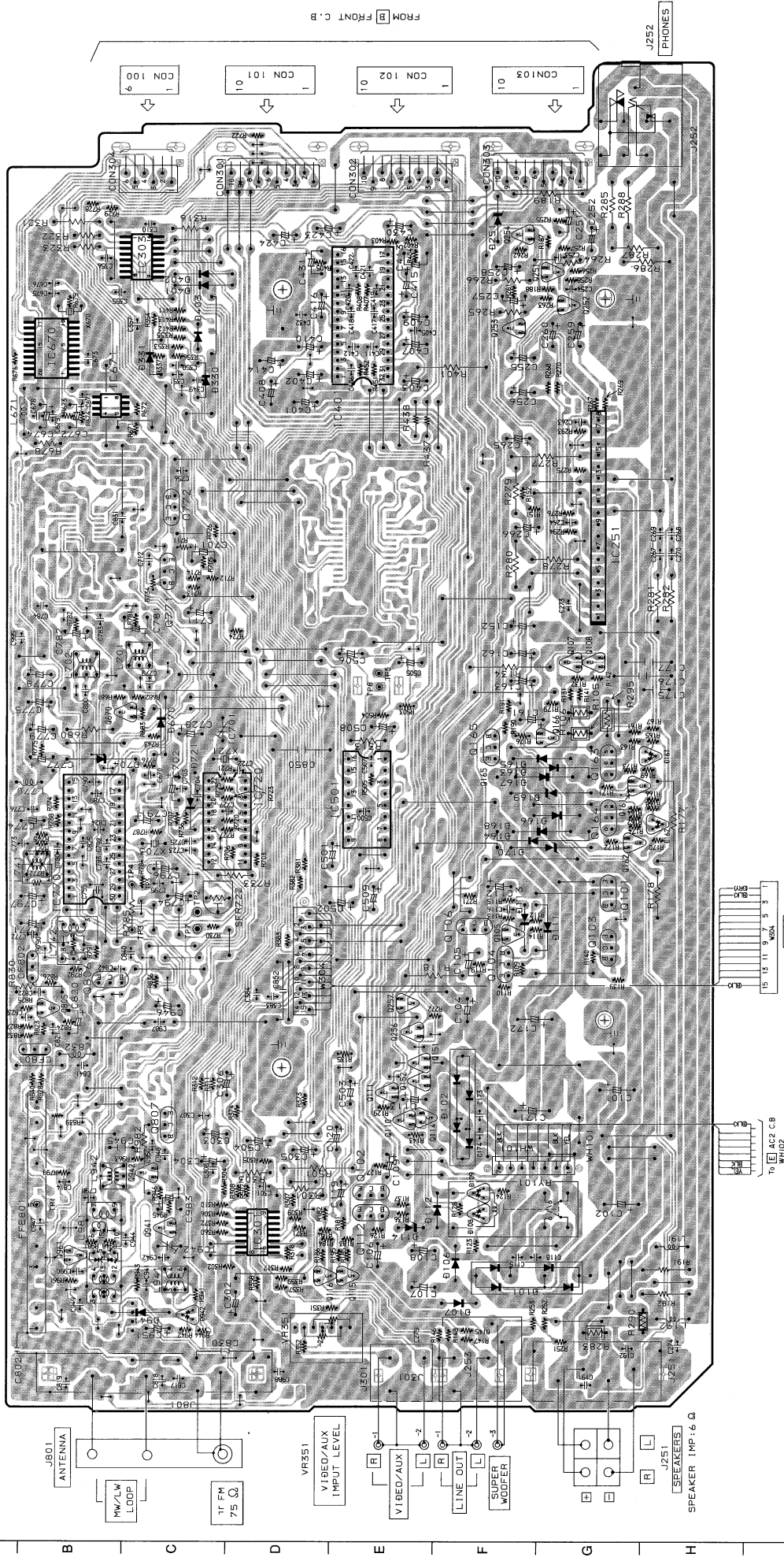


PHONES J252

CON103
CON102
CON101
FROM FRONT C.B

J251
SPEAKERS
SPEAKER IMP:16

A MAIN C.B



CON 100

CON 101

CON 102

CON 103

CON 104

CON 105

CON 106

CON 107

CON 108

CON 109

CON 110

CON 111

CON 112

CON 113

CON 114

CON 115

CON 116

CON 117

CON 118

CON 119

CON 120

CON 121

CON 122

CON 123

CON 124

CON 125

CON 126

CON 127

CON 128

CON 129

CON 130

CON 131

CON 132

CON 133

CON 134

CON 135

CON 136

CON 137

CON 138

CON 139

CON 140

CON 141

CON 142

CON 143

CON 144

CON 145

CON 146

CON 147

CON 148

CON 149

CON 150

CON 151

CON 152

CON 153

CON 154

CON 155

CON 156

CON 157

CON 158

CON 159

CON 160

CON 161

CON 162

CON 163

CON 164

CON 165

CON 166

CON 167

CON 168

CON 169

CON 170

CON 171

CON 172

CON 173

CON 174

CON 175

CON 176

CON 177

CON 178

CON 179

CON 180

CON 181

CON 182

CON 183

CON 184

CON 185

CON 186

CON 187

CON 188

CON 189

CON 190

CON 191

CON 192

CON 193

CON 194

CON 195

CON 196

CON 197

CON 198

CON 199

CON 200

CON 201

CON 202

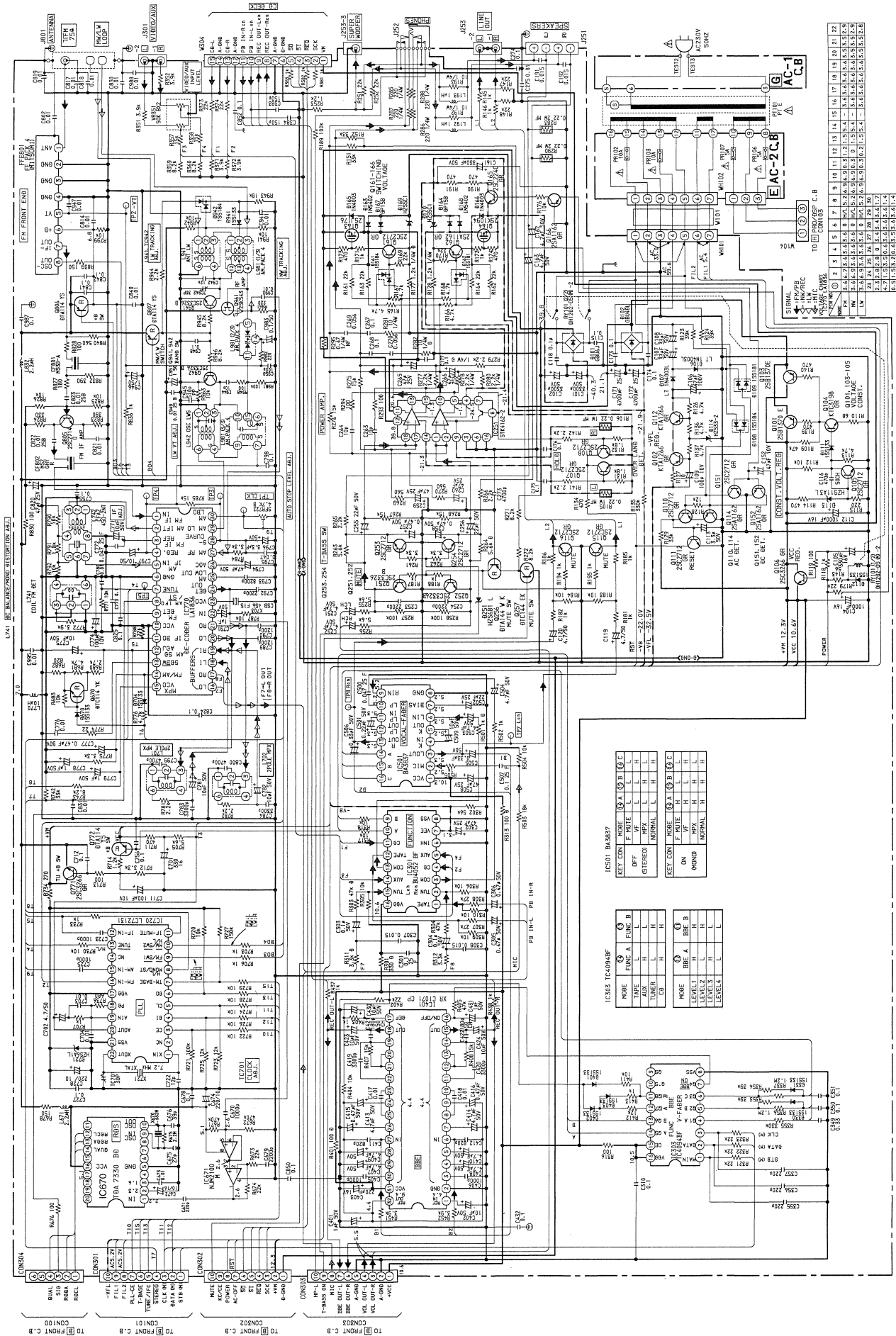
CON 203

CON 204

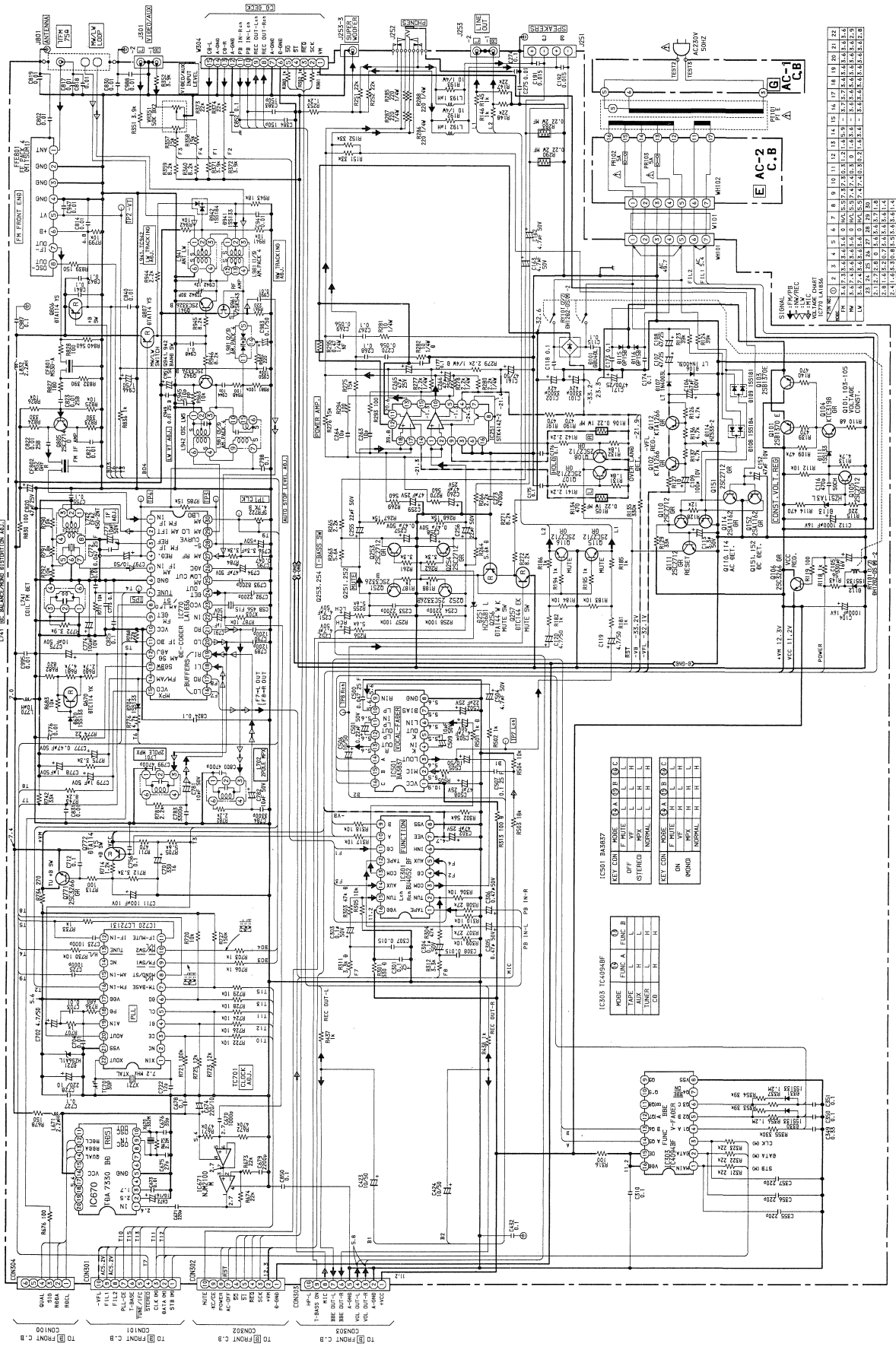
CON 205



SCHEMATIC DIAGRAM-3 (MAIN: 757R)



SCHEMATIC DIAGRAM-4 (MAIN: 656F)



CON10 FRONT C.B.
 CON09 FRONT C.B.
 CON08 FRONT C.B.
 CON07 FRONT C.B.
 CON06 FRONT C.B.
 CON05 FRONT C.B.
 CON04 FRONT C.B.
 CON03 FRONT C.B.
 CON02 FRONT C.B.
 CON01 FRONT C.B.
 CON00 FRONT C.B.
 CON99 FRONT C.B.
 CON98 FRONT C.B.
 CON97 FRONT C.B.
 CON96 FRONT C.B.
 CON95 FRONT C.B.
 CON94 FRONT C.B.
 CON93 FRONT C.B.
 CON92 FRONT C.B.
 CON91 FRONT C.B.
 CON90 FRONT C.B.
 CON89 FRONT C.B.
 CON88 FRONT C.B.
 CON87 FRONT C.B.
 CON86 FRONT C.B.
 CON85 FRONT C.B.
 CON84 FRONT C.B.
 CON83 FRONT C.B.
 CON82 FRONT C.B.
 CON81 FRONT C.B.
 CON80 FRONT C.B.
 CON79 FRONT C.B.
 CON78 FRONT C.B.
 CON77 FRONT C.B.
 CON76 FRONT C.B.
 CON75 FRONT C.B.
 CON74 FRONT C.B.
 CON73 FRONT C.B.
 CON72 FRONT C.B.
 CON71 FRONT C.B.
 CON70 FRONT C.B.
 CON69 FRONT C.B.
 CON68 FRONT C.B.
 CON67 FRONT C.B.
 CON66 FRONT C.B.
 CON65 FRONT C.B.
 CON64 FRONT C.B.
 CON63 FRONT C.B.
 CON62 FRONT C.B.
 CON61 FRONT C.B.
 CON60 FRONT C.B.
 CON59 FRONT C.B.
 CON58 FRONT C.B.
 CON57 FRONT C.B.
 CON56 FRONT C.B.
 CON55 FRONT C.B.
 CON54 FRONT C.B.
 CON53 FRONT C.B.
 CON52 FRONT C.B.
 CON51 FRONT C.B.
 CON50 FRONT C.B.
 CON49 FRONT C.B.
 CON48 FRONT C.B.
 CON47 FRONT C.B.
 CON46 FRONT C.B.
 CON45 FRONT C.B.
 CON44 FRONT C.B.
 CON43 FRONT C.B.
 CON42 FRONT C.B.
 CON41 FRONT C.B.
 CON40 FRONT C.B.
 CON39 FRONT C.B.
 CON38 FRONT C.B.
 CON37 FRONT C.B.
 CON36 FRONT C.B.
 CON35 FRONT C.B.
 CON34 FRONT C.B.
 CON33 FRONT C.B.
 CON32 FRONT C.B.
 CON31 FRONT C.B.
 CON30 FRONT C.B.
 CON29 FRONT C.B.
 CON28 FRONT C.B.
 CON27 FRONT C.B.
 CON26 FRONT C.B.
 CON25 FRONT C.B.
 CON24 FRONT C.B.
 CON23 FRONT C.B.
 CON22 FRONT C.B.
 CON21 FRONT C.B.
 CON20 FRONT C.B.
 CON19 FRONT C.B.
 CON18 FRONT C.B.
 CON17 FRONT C.B.
 CON16 FRONT C.B.
 CON15 FRONT C.B.
 CON14 FRONT C.B.
 CON13 FRONT C.B.
 CON12 FRONT C.B.
 CON11 FRONT C.B.
 CON10 FRONT C.B.
 CON09 FRONT C.B.
 CON08 FRONT C.B.
 CON07 FRONT C.B.
 CON06 FRONT C.B.
 CON05 FRONT C.B.
 CON04 FRONT C.B.
 CON03 FRONT C.B.
 CON02 FRONT C.B.
 CON01 FRONT C.B.
 CON00 FRONT C.B.

IC685 TRIGGER

MODE	FUNC. A	FUNC. B
TAPE	L	L
TUNER	L	H
ED	H	H

IC687 BARBER

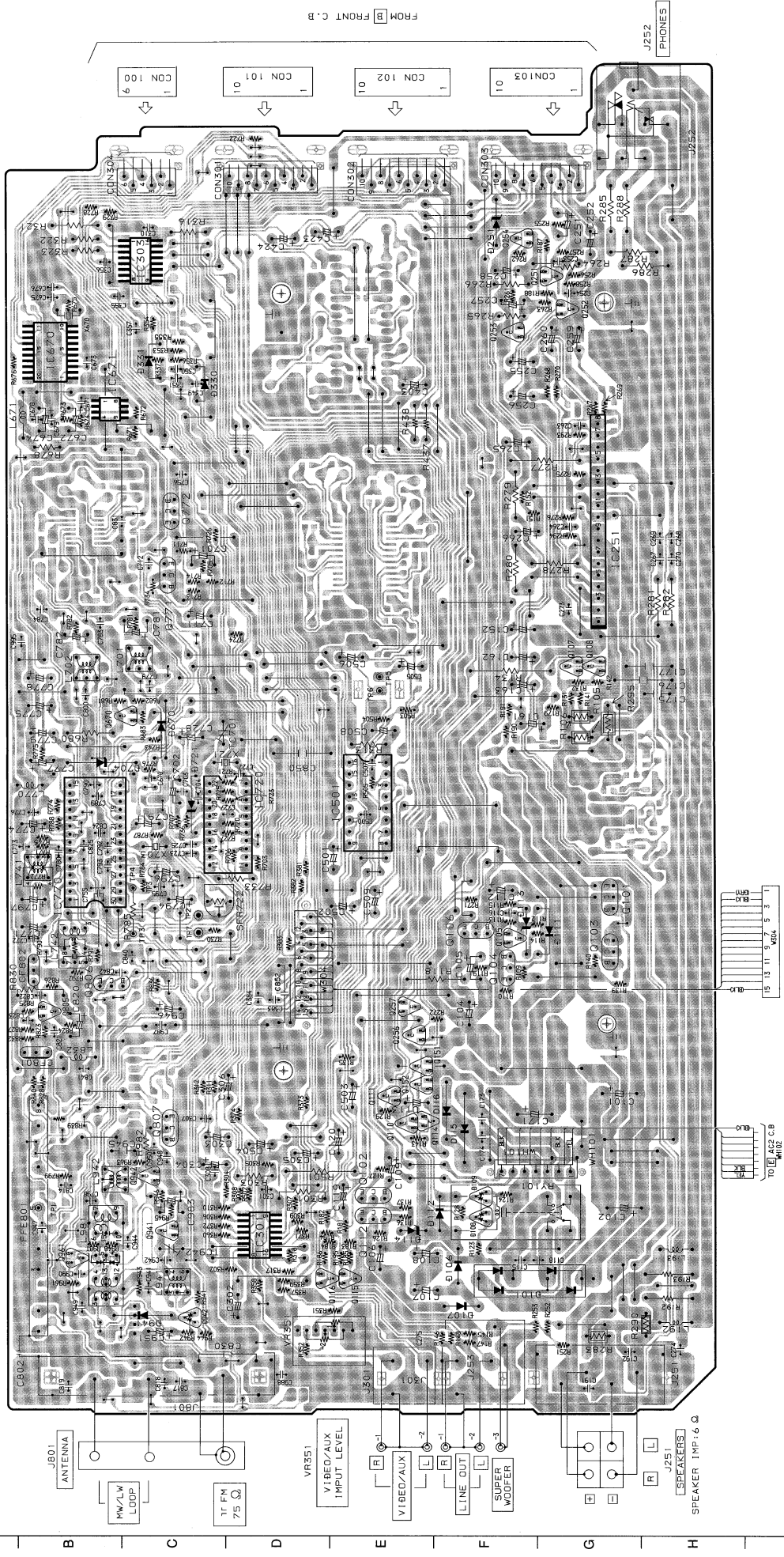
KEY CON.	NOISE	A	B	C	D
OFF	VF	L	L	L	L
STRONG	VF	L	L	L	L
NORMAL	VF	L	L	L	L
ON	VF	H	H	H	H
WOUND	NORMAL	H	H	H	H

SIGNAL POWER CHART

LINE	1	2	3	4	5	6	7	8	9	10	11	12	13	14	15	16	17	18	19	20
W	1.4	1.4	1.4	1.4	1.4	1.4	1.4	1.4	1.4	1.4	1.4	1.4	1.4	1.4	1.4	1.4	1.4	1.4	1.4	1.4
V	1.4	1.4	1.4	1.4	1.4	1.4	1.4	1.4	1.4	1.4	1.4	1.4	1.4	1.4	1.4	1.4	1.4	1.4	1.4	1.4
W	1.4	1.4	1.4	1.4	1.4	1.4	1.4	1.4	1.4	1.4	1.4	1.4	1.4	1.4	1.4	1.4	1.4	1.4	1.4	1.4
V	1.4	1.4	1.4	1.4	1.4	1.4	1.4	1.4	1.4	1.4	1.4	1.4	1.4	1.4	1.4	1.4	1.4	1.4	1.4	1.4

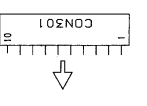
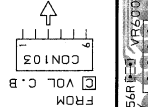
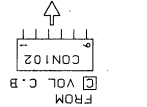
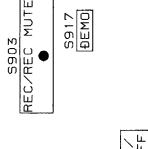
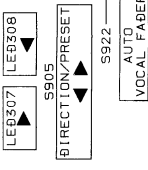
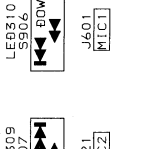
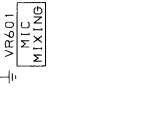
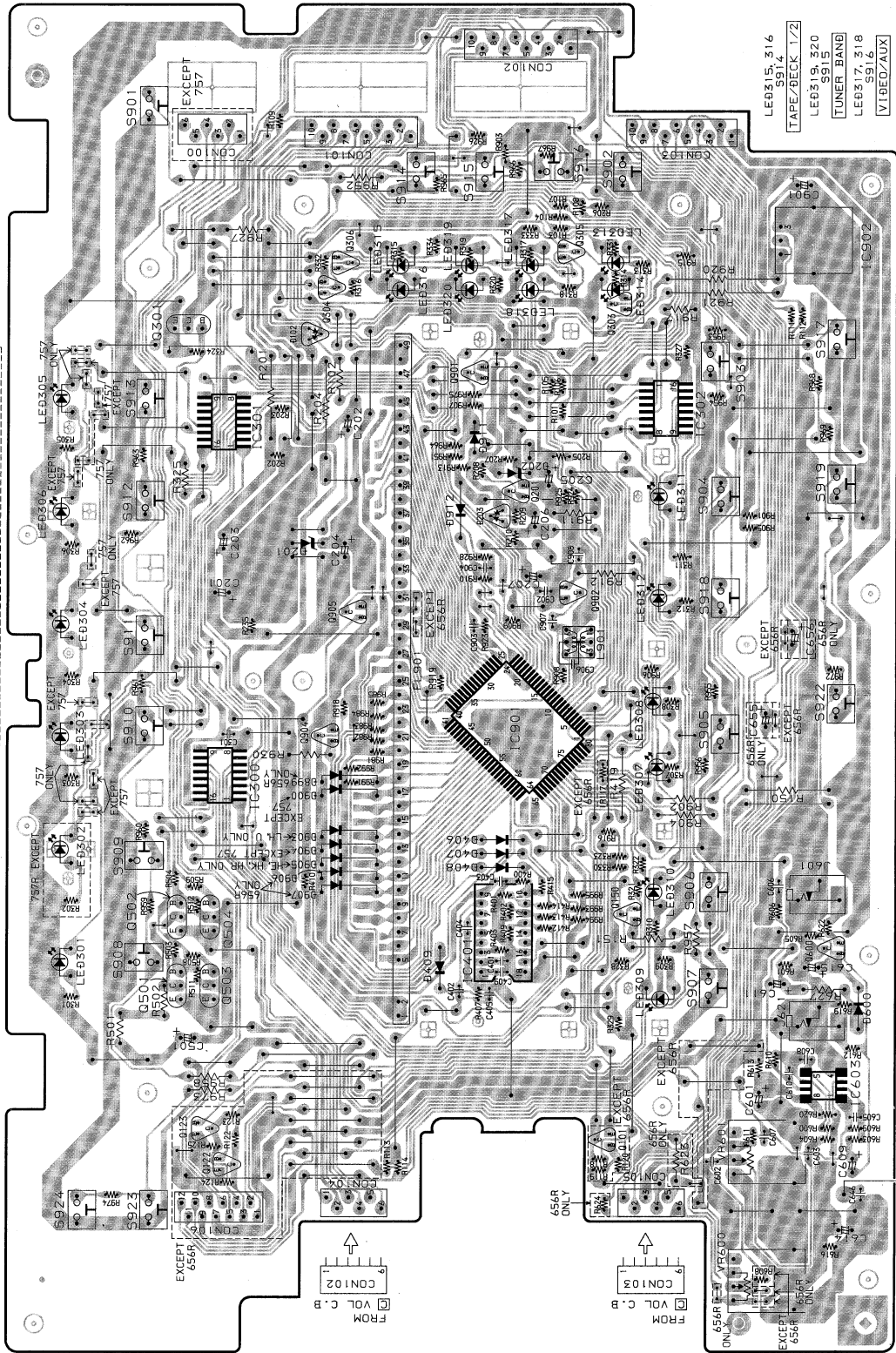
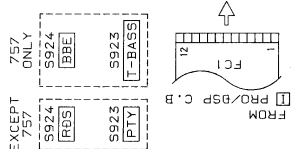
WIRING-4 (MAIN: 656R)

A MAIN C.B.

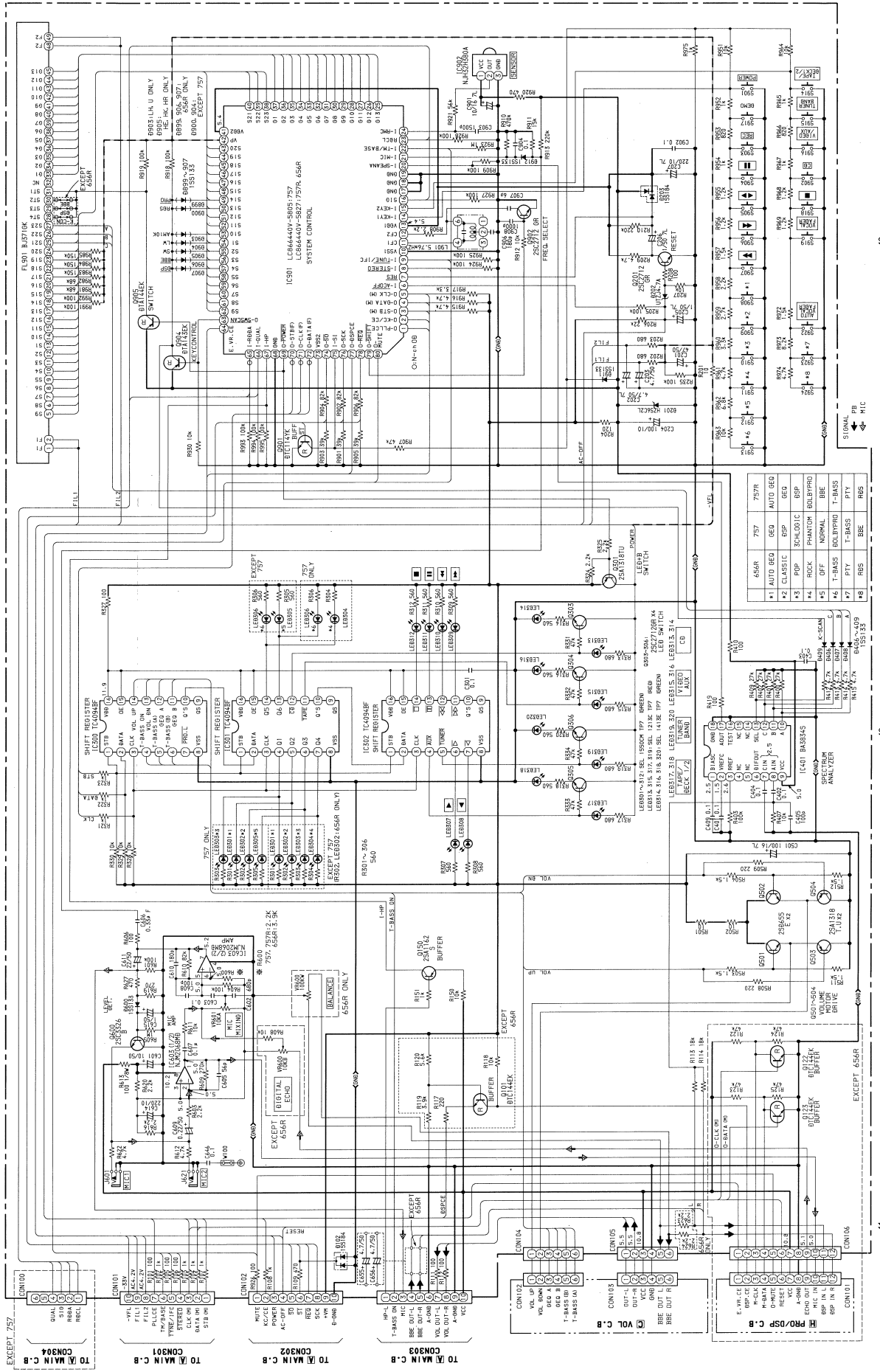


B FRONT C.B

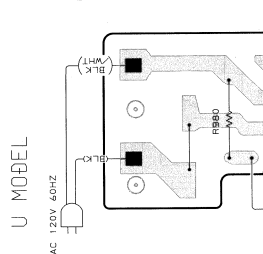
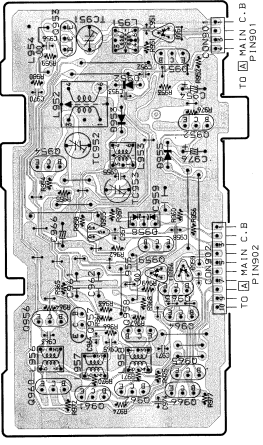
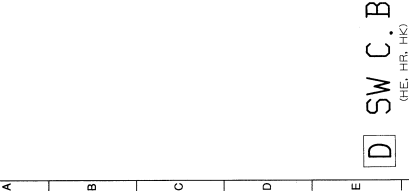
- 654R ONLY [AUTO GEO] [CLASSIC] [POP] [ROCK] [DEF] [T-BASS] [LED301, S908 LED302, S909 LED303, S910 LED304, S911 LED305, S913]
- 757R ONLY [AUTO GEO] [GEO] [BSP] [EXCEPT] [T-BASS] [LED301, S908 LED302, S909 LED303, S910 LED304, S911 LED305, S913]
- 757 ONLY [GEO] [BSP] [3CH LOGIC] [PHANTOM] [NORMAL] [DOLBY PRO LOGIC] [LED301, S908 LED302, S909 LED303, S910 LED304, S911 LED305, S913]



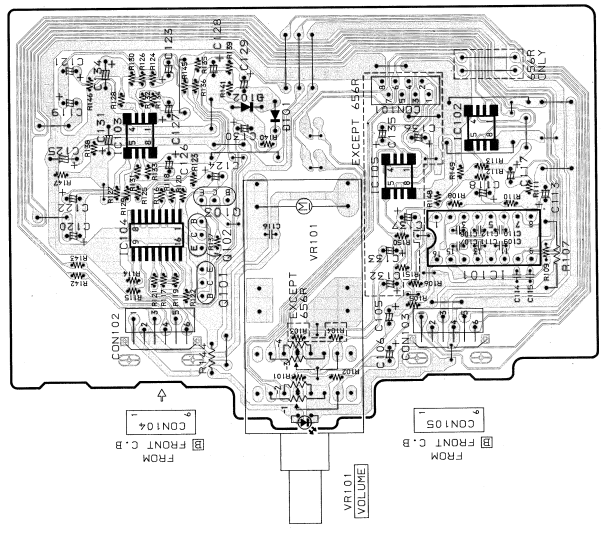
SCHEMATIC DIAGRAM-5 (FRONT)



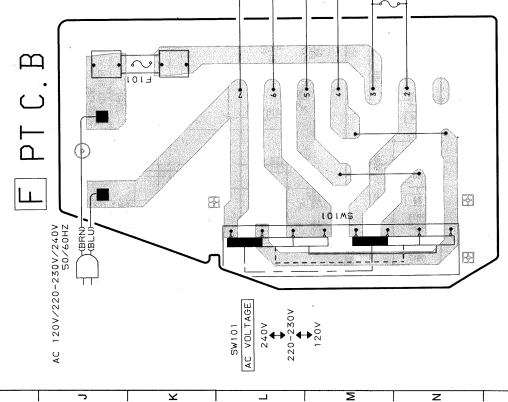
1 2 3 4 5 6 7 8 9 10 11 12 13 14 15 16 17 18 19



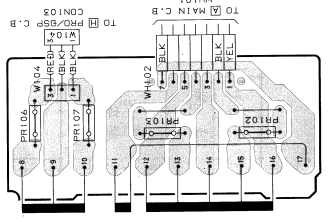
C VOL C.B.



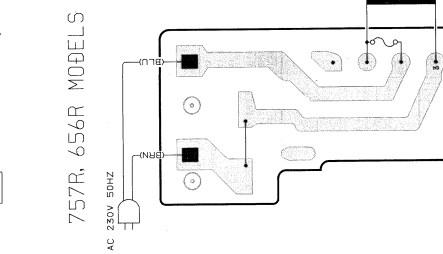
F PTC.C.B.



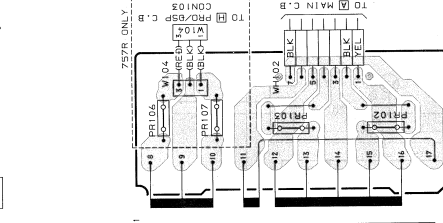
E AC-2 C.B.



G AC-1 C.B.



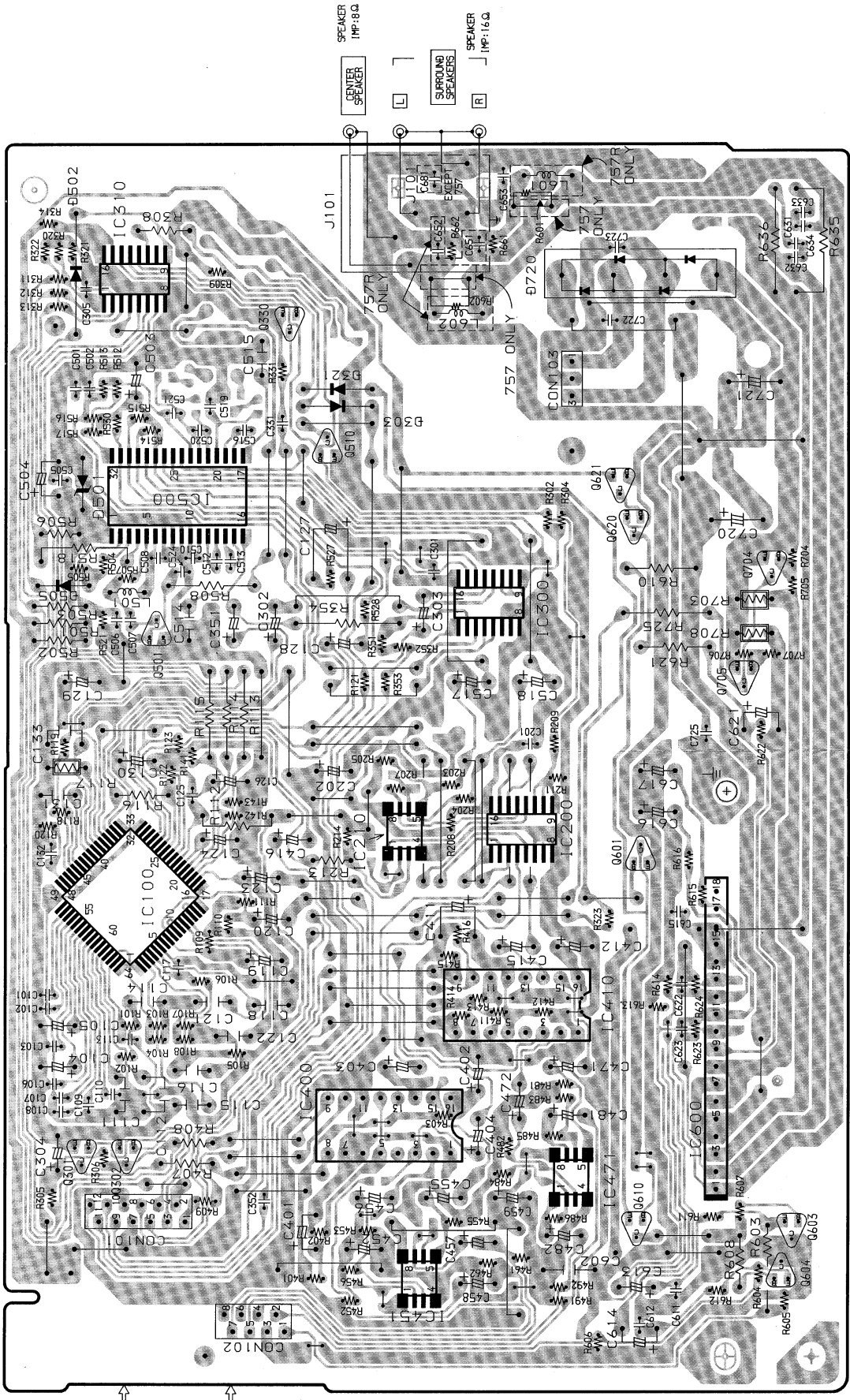
E AC-2 C.B.



G AC-1 C.B.

E AC-2 C.B.

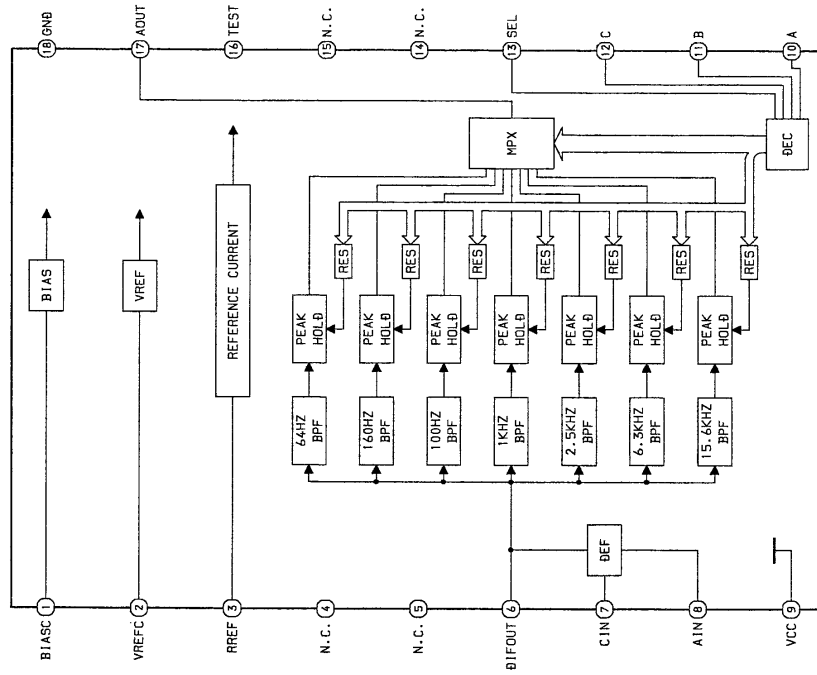
H PRO / DSP C.B



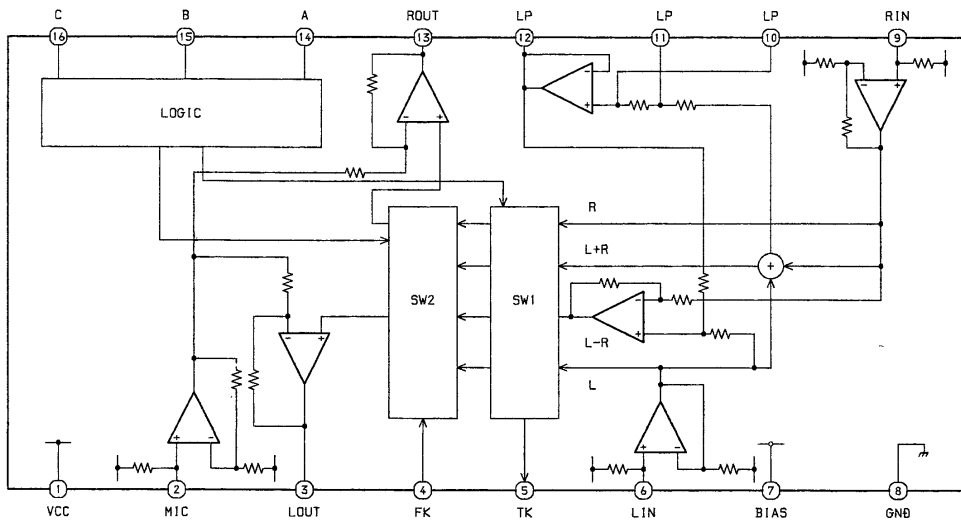
TO CN103
 5 W104
 FROM AC-2 C.B

IC BLOCK DIAGRAM

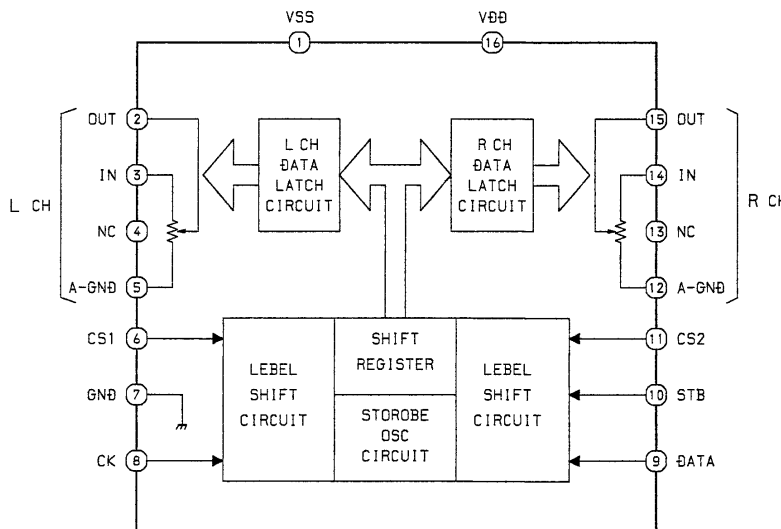
IC, BA3834



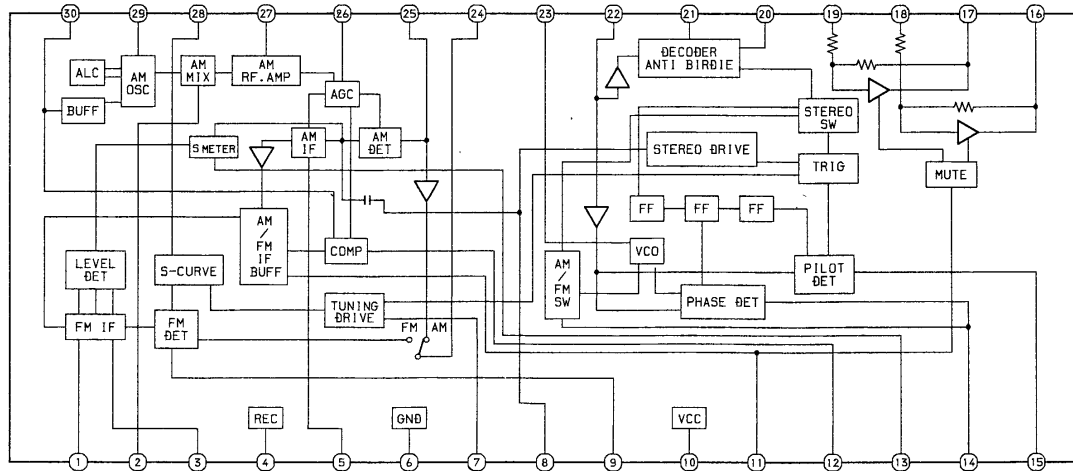
IC, BA3837



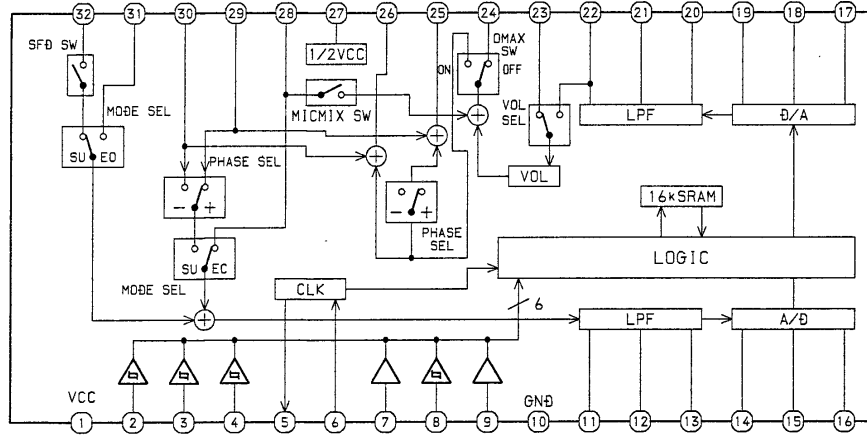
IC, TC9299



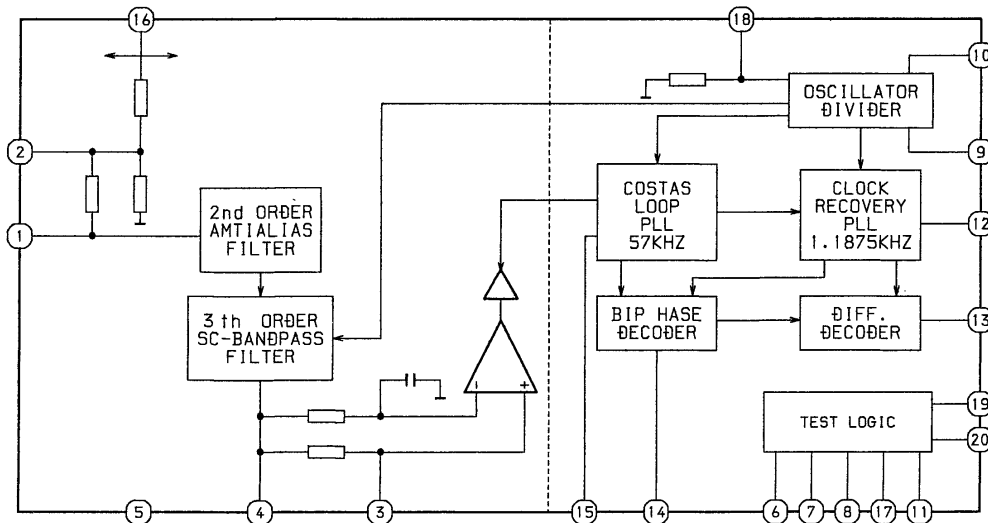
IC, LA1836



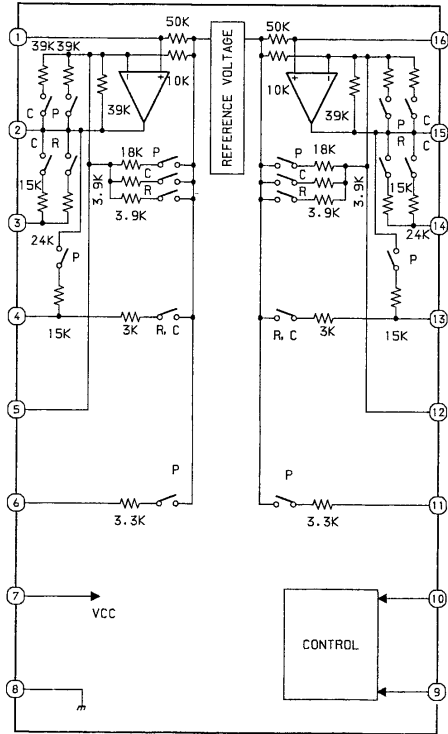
IC, M65846P



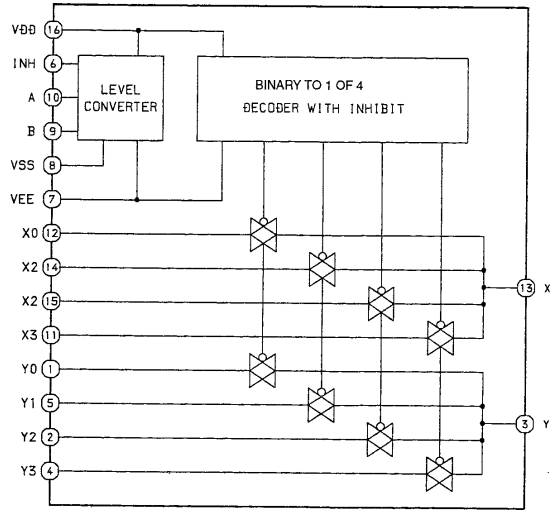
IC, TDA7330



IC, M6241P



IC, BU4052

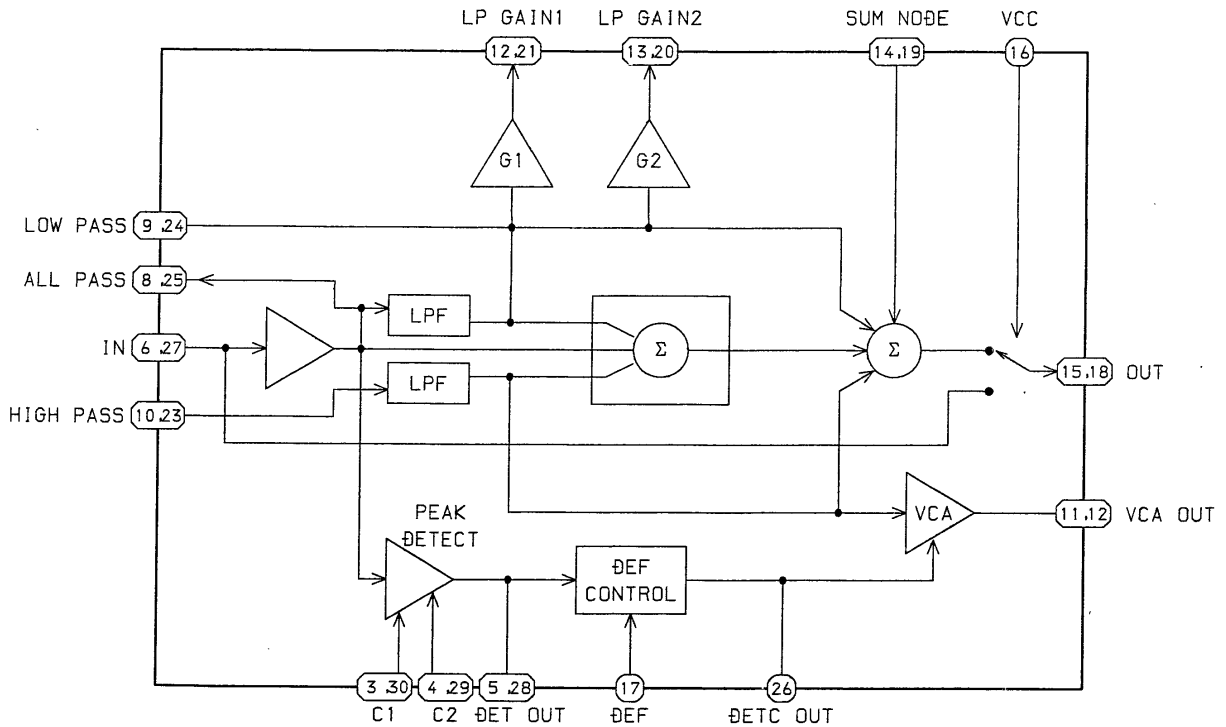


TRUTH TABLE

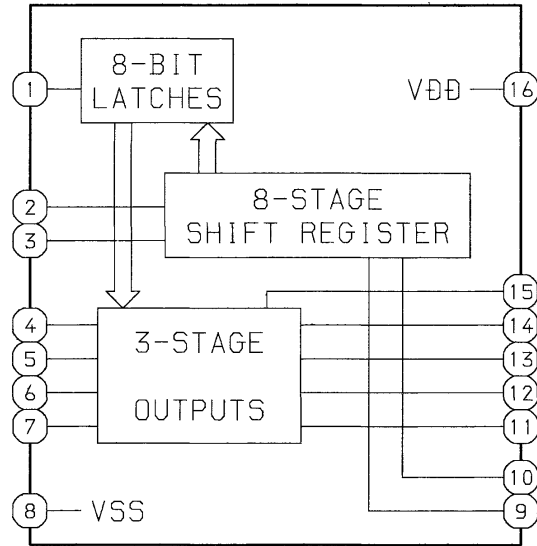
INHIBIT	A	B	NO SWITCH
L	L	L	X0 Y0
L	H	L	X1 Y1
L	L	H	X2 Y2
L	H	H	X3 Y3
H	X	X	NONE

X: DON'T CARE.

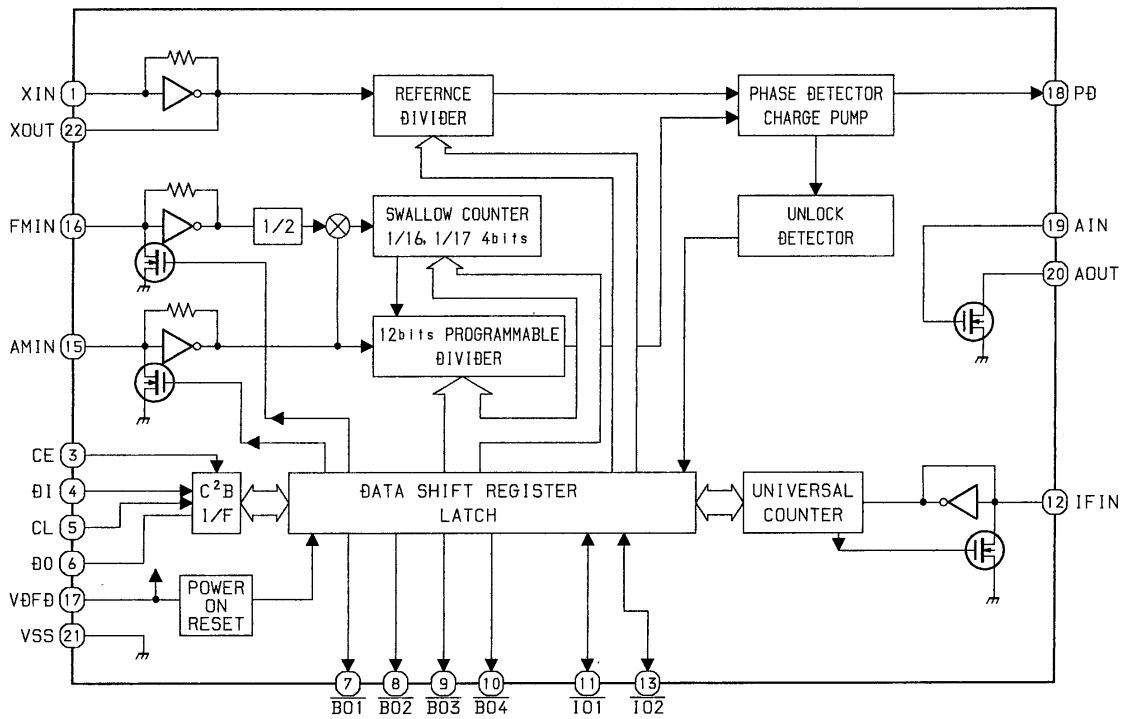
IC, XR1071CP



IC, TC4094BF



IC, LC72131



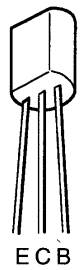
IC DESCRIPTION

IC, LC866440W

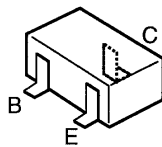
Pin No.	Pin name	I/O	Description
1	O-PLLCE	O	PLL IC chip enable output.
2	O-KC/CE	O	Key control IC, data latch strobe output.
3	O-STB (M)	O	Main shift register, data latch strobe output.
4	O-DATA (M)	O	Main shift register/PLL/DSP related, data output.
5	O-CLK (M)	O	Main shift register/PLL/DSP related, data transfer clock output.
6	I-HOLD	I	Power failure sensing input (Hold at "L").
7	RESET	—	Reset input (Reset at "L").
8	I-STEREO	I	Tuner stereo sensing input.
9	I-TUNE/IFC	I	Tuner, SD sensing input/IF count serial data input.
10	VSS1	—	GND.
11	CF1	—	5.76 MHz oscillator.
12	CF2	—	5.76 MHz oscillator.
13	VDD	—	Power supply input.
14	I-KEY1	I	Key 1 A/D input.
15	I-KEY2	I	Key 2 A/D input.
16	I-SIG	I	Signal level input for RDS.
17	GND	—	GND terminal.
18	GND	—	GND terminal.
19	GND	—	GND terminal.
20	I-SPEANA	I	Spectrum analyzer level A/D input.
21	I-MIC	I	Mic level A/D input for auto vocal fader.
22	I-TMBASE	I	Reference clock input for watch (Automatically supporting 8/50/60 Hz).
23	I-RDCL	I	Clock input for RDS.
24	I-RMC	I	System remote control input. (active Low).
25~37	G13~G1	O	FL grid output (G13~G1).
38~40	S23~S21	O	FL segment output.
41	VDD2	—	Power supply input.
42	-VP	—	Power supply for display.
43~48	S20~S15	I/O	FL segment output.
49	S14	I/O	FL segment output/Diode input supporting non-PRO.
50	S13	I/O	FL segment output/Diode input supporting RDS.
51	S12	I/O	FL segment output/Diode input supporting FM-JPN.
52	S11	I/O	FL segment output/Diode input supporting AMST.
53	S10	I/O	FL segment output/Diode input supporting AM10 K.
54	S1	I/O	FL segment output/Diode input supporting LW.
55	S2	I/O	FL segment output/Diode input supporting SW.
56	S3	I/O	FL segment output/Diode input supporting non-BBE.
57	S4	I/O	FL segment output/Diode input supporting non-DSP.
58	S5	I/O	FL segment output/Diode input supporting K-CON.
59	S6	I/O	FL segment output/Diode input supporting NTSC.
60	S7	O	FL segment output.

Pin No.	Pin name	I/O	Description
61	S8	O	CD tray close output.
62	S9	O	CD tray open output.
63	O-SWSCAN	O	CD turntable reverse direction rotation output/SW scan (timing output).
64	E.VR.CE	O	CD turntable forward direction rotation output/Electronic volume chip enable.
65	I-RDDA	I	Data input for RDS.
66	I-QUAL	I	Data discrimination input for RDS.
67	I-HP	I	Infinite large to sensor, surround VOL, TC9299 when I-HP is "H".
68	GND	—	GND.
69	O-POWER	O	System power supply ON/OFF output.
70	O-STB (F)	O	Front shift register, data latch strobe output.
71	O-CLK (F)	O	Front shift register, data transfer clock output.
72	O-DATA (F)	O	Front shift register, data output.
73	VSS2	—	GND.
74	O-SO	O	FD control data output.
75	I-SI	I	FD control data input.
76	O-SCK	O	FD control data, transfer clock output.
77	O-DSPCE	O	DSP data latch strobe output (note) Take care of output delay.
78	O-REQ	O	FD control data latch output
79	O-SHIFT	O	Microprocessor clock shift output during tuner reception.
80	O-MUTE	O	System mute ON/OFF output.

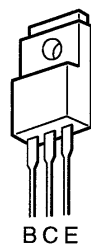
TRANSISTOR ILLUSTRATION



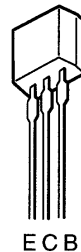
2SA1318
2SC1815
2SC2001
2SC2240
2SC3266
2SD655
KTA1266
KTC3198



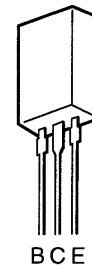
2SA1162
2SC1623
2SC2712
2SC2714
2SC3326
DTA143EK
DTA144EK
DTA144WK
DTC114YK
DTC144EK
DTC144WK



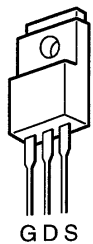
2SB1370



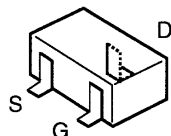
2SC1740S
DTA114YS



2SD2005



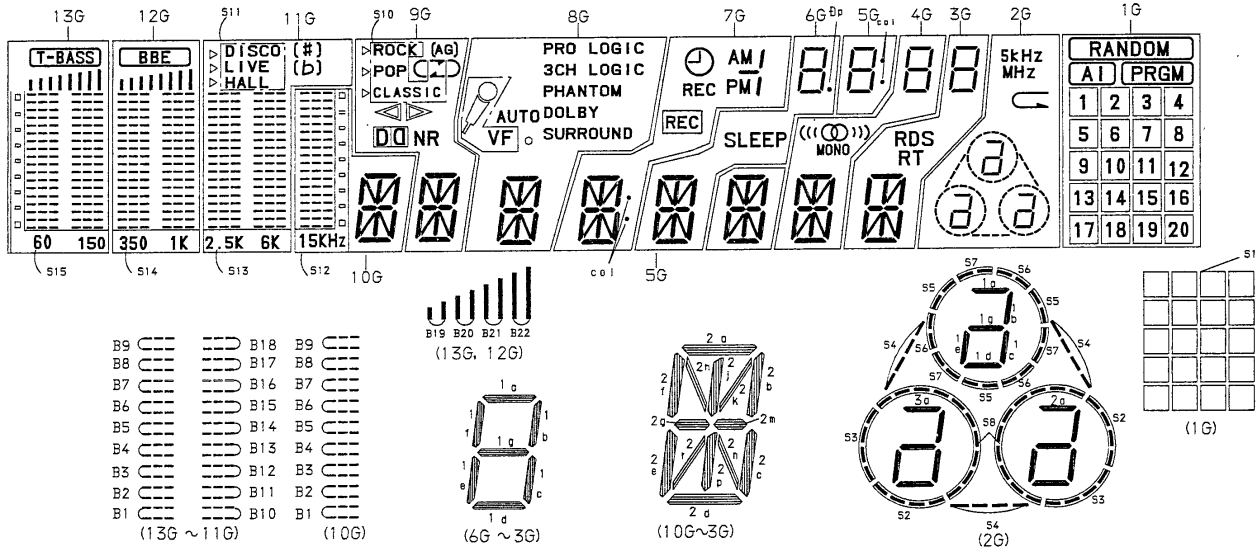
2SJ176
2SK1094



2SK543

FL (BJ371GK) GRID ASSIGNMENT / ANODE CONNECTION

GRID ASSIGNMENT

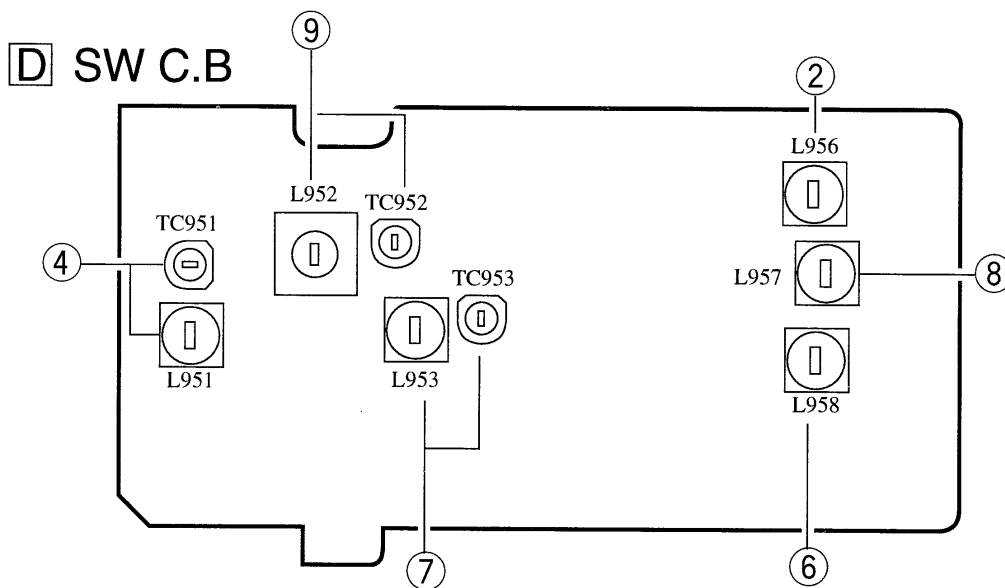
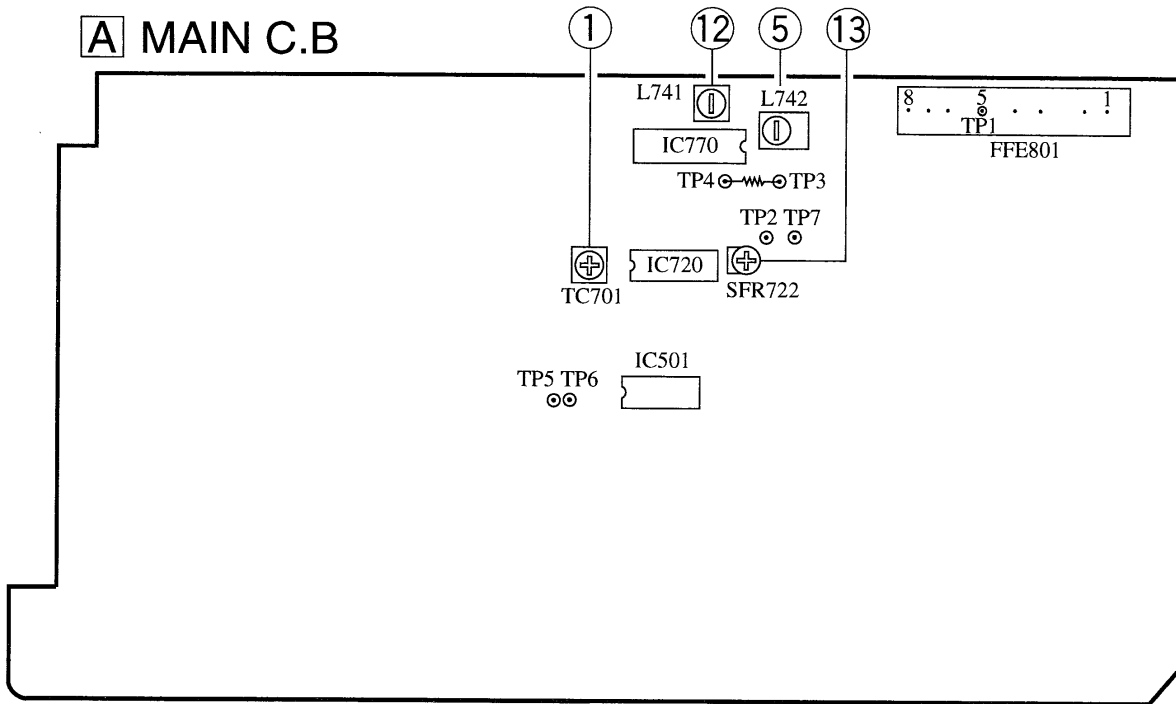


ANODE CONNECTION

	13G	12G	11G	10G	9G	8G	7G	6G	5G	4G	3G	2G	1G
P1	B10	B10	B10	2d	2d	2d	2d	2d	2d	2d	2d	S2	20
P2	B1	B1	B1	2n	2n	2n	2n	2n	2n	2n	2n	S3	19
P3	B11	B11	B11	2p	2p	2p	2p	2p	2p	2p	2p	3e	18
P4	B2	B2	B2	2r	2r	2r	2r	2r	2r	2r	2r	3c	17
P5	B12	B12	B12	2e	2e	2e	2e	2e	2e	2e	2e	3a, 3d, 3g	16
P6	B3	B3	B3	2c	2c	2c	2c	2c	2c	2c	2c	3b	15
P7	B13	B13	B13	2g	2g	2g	2g	2g	2g	2g	2g	2e	14
P8	B4	B4	B4	2m	2m	2m	2m	2m	2m	2m	2m	2c	13
P9	B5	B5	B5	2f	2f	2f	2f	2f	2f	2f	2f	2a, 2d, 2g	12
P10	B15	B15	B15	2b	2b	2b	2b	2b	2b	2b	2b	S4	11
P11	B6	B6	B6	2k	2k	2k	2k	2k	2k	2k	2k	S5	10
P12	B16	B16	B16	2j	2j	2j	2j	2j	2j	2j	2j	S6	9
P13	B7	B7	B7	2h	2h	2h	2h	2h	2h	2h	2h	S7	8
P14	B14	B14	B14	2a	2a	2a	2a	2a	2a	2a	2a	2b	7
P15	B17	B17	B17	B1	NR	o	col (L)	dp	col (F)	((()))	RT	1e	6
P16	B8	B8	B8	B2	NR	S9	col (T)	1d	1d	1d	1d	1a, 1d, 1g	5
P17	B18	B18	B18	B3	NR	AUTO	REC	1e	1e	1e	1e	1c	4
P18	B9	B9	B9	B4	(CLASSIC)	SURROUND	PM	1c	1c	1c	1c	1b	3
P19	B19 (T-BASS)	B19 (BBE)	(DISCO)	B5	(POP)	DOLBY	AM	1g	1g	1g	1g	S8	2
P20	B20	B20	(LIVE)	B6	(ROCK)	PHANTOM	—	1f	1f	1f	1f	MHz	1
P21	B21	B21	(HALL)	B7	()	3CH LOGIC	/	1b	1b	1b	1b	MONO	AI
P22	B22	B22	(b)	B8	()	3CH LOGIC	⊕	1a	1a	1a	1a	KHz	RANDOM
P23	—	—	(#)	B9	(AG)	—	REC	SLEEP	col (L)	MONO	RDS	5	PRGM
P24	S15 T-BASS	S14	S13	S12	S10	—	—	—	—	—	—	—	S1
P25	—	BBE	—	—	—	—	—	—	—	—	—	—	—
P26	—	—	S11	—	—	—	—	—	—	—	—	—	—
P26	—	—	# b	—	—	—	—	—	—	—	—	—	—

ELECTRICAL ADJUSTMENT

HE, HR, HK MODELS



TUNER SECTION

1. Clock Adjustment
 - Settings:
 - Test point: TP2
 - Adjustment location: TC701
 - Method: Set to MW 1710kHz and adjust TC701 so that the test point becomes 2160kHz±0.01kHz.

2. MW VT Adjustment
 - Settings:
 - Test point: TP1
 - Adjustment location: L956
 - Method: Set to MW 1710kHz adjust L956 so that the test point becomes 8.5V±0.05V.

3. MW VT Check
 - Settings:
 - Test point: TP1
 - Method: Set to MW 530kHz and check that the test point is more than 0.3V.

4. MW Tracking Adjustment
 - Settings:
 - Test point: TP5, TP6
 - Adjustment location:
 - L951 600kHz
 - TC951 1400kHz
 - Method: Set up TC951 to center before adjustment. The level at 600kHz is adjusted to MAX by L951. Then the level at 1400kHz is done by TC951.

5. AM IF Adjustment
 - Settings:
 - Test point: TP5, TP6
 - L742 450kHz

6. SW-2 VT Adjustment
 - Settings:
 - Test point: TP1
 - Adjustment location: L958
 - Method: Set to SW-2 21.85MHz adjust L958 so that the test point becomes 8.0V±0.05V.

7. SW-2 Tracking Adjustment
 - Settings:
 - Test point: TP5, TP6
 - Adjustment location:
 - L953 9.5MHz
 - TC953 21.85MHz
 - Method: Set up TC953 to center before adjustment. The level at 9.5MHz is adjusted to MAX by L953. Then the level at 21.85MHz is done by TC953.

8. SW-1 VT Adjustment
 - Settings:
 - Test point: TP1
 - Adjustment location: L957
 - Method: Set to SW-1 7.3MHz and adjust L957 so that the test point becomes 7.7V±0.05V.

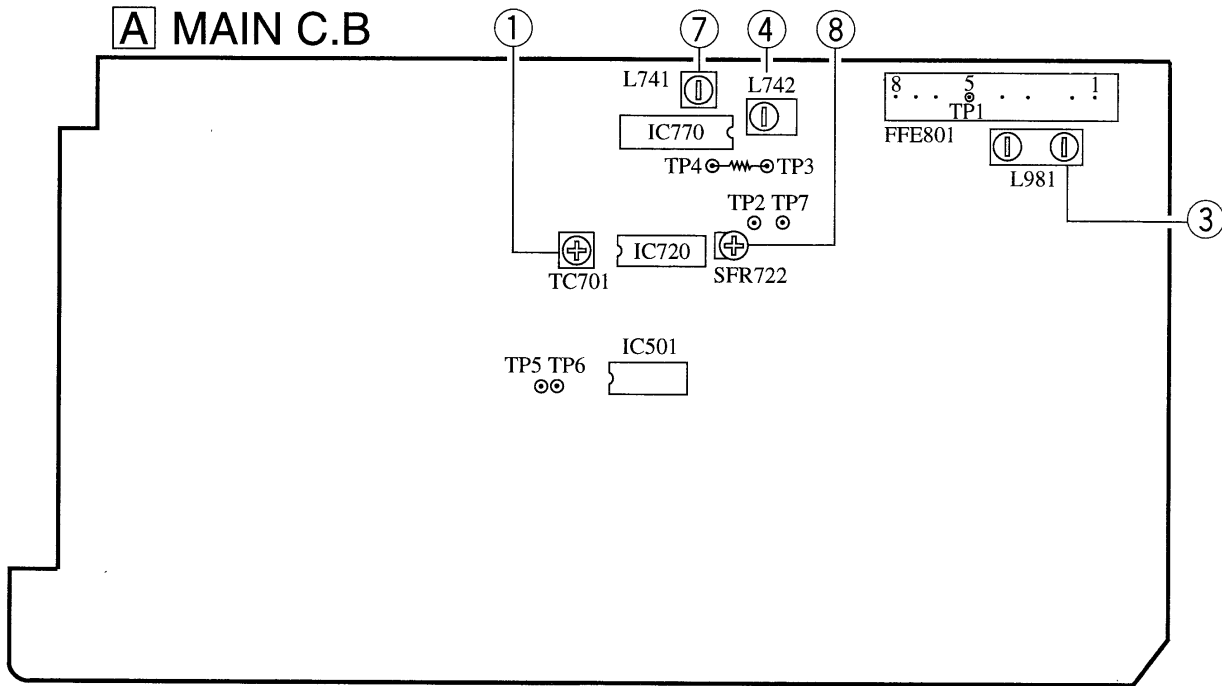
9. SW-1 Tracking Adjustment
 - Settings:
 - Test point: TP5, TP6
 - Adjustment location:
 - L952 3.2MHz
 - TC952 7.3MHz
 - Method: Set up TC952 to center before adjustment. The level at 3.2MHz is adjusted to MAX by L952. Then the level at 7.3MHz is done by TC952.

10. FM VT Check
 - Settings:
 - Test point: TP1
 - Method: Set to FM 87.5MHz and check that the test point is more than 1.0V. Then set to FM 108MHz and check that the test point is less than 8.0V.

11. FM Tracking Check
 - Settings:
 - Test point: TP5, TP6
 - Check that the test point is 2±6dB and distortion is less than 3% at FM 98.0MHz.

12. DC Balance/MONO Distortion Adjustment
 - Settings:
 - Test point: TP3, TP4 (DC balance)
 - TP5, TP6 (Distortion)
 - Adjustment location: L741
 - Input level: 54dB
 - Method: Set to FM 98.0MHz and adjust L741 so that the voltage between TP3 and TP4 becomes 0V±0.04V. Next check that the distortion is less than 1.3%.

13. Auto stop Level Adjustment
 - Settings:
 - Test point: TP7
 - Adjustment location: SFR722
 - Input level: 16dB
 - Method: Set to FM 98.0MHz and adjust voltage low (about 0.01V) by SFR722. After that voltage high (about 7.0V) out by 2dB down.



TUNER SECTION

1. Clock Adjustment
 - Settings:
 - Test point: TP2
 - Adjustment location: TC701
 - Method: Set to AM 1710kHz and adjust TC701 so that the test point becomes 2160kHz±0.01kHz.

2. AM VT Check
 - Settings:
 - Test point: TP1
 - Method: Set to AM 1710kHz and check that the test point is 7.0±1.0V.

3. AM Tracking Adjustment
 - Settings:
 - Test point: TP5, TP6
 - Adjustment location: L981
 - Method: Set to AM 1000kHz and adjust L981 that the test point becomes maximum.

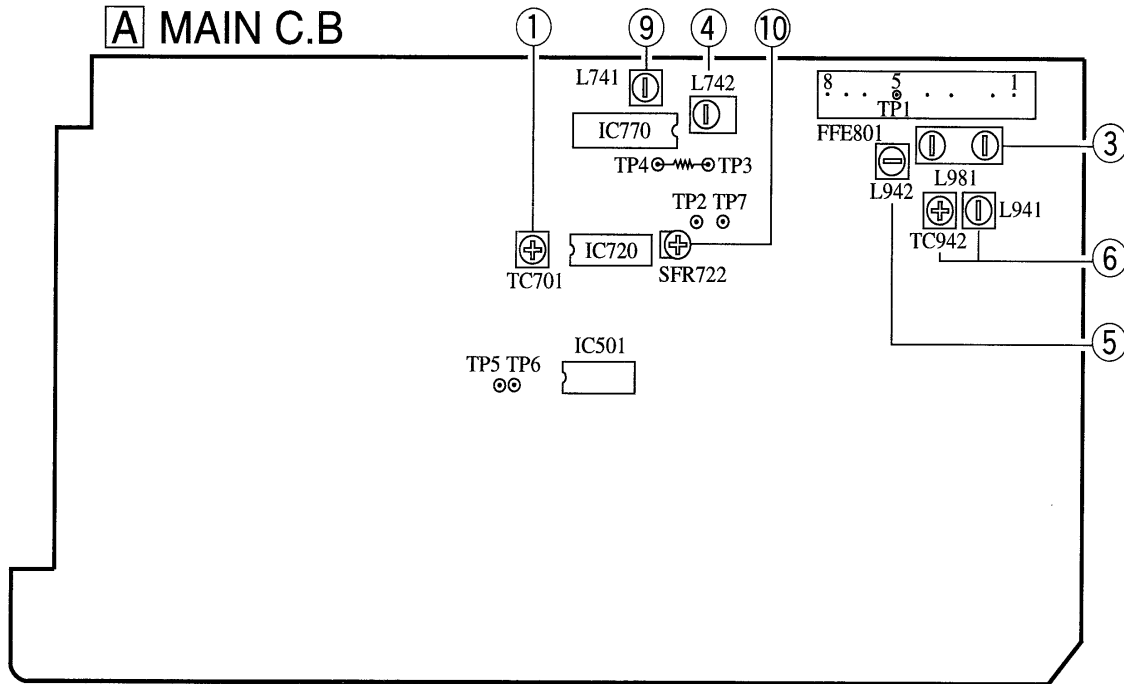
4. AM IF Adjustment
 - Settings:
 - Test point: TP5, TP6
 - L742 450kHz

5. FM VT Check
 - Settings:
 - Test point: TP1
 - Method: Set to FM 87.5MHz and check that the test point is more than 1.0V. Then set to FM 108MHz and check that the test point is less than 8.0V.

6. FM Tracking Check
 - Settings:
 - Test point: TP5, TP6
 - Method: Check that the test point is 2±6dB and distortion is less than 3% at FM 98.0MHz.

7. DC Balance/MONO Distortion Adjustment
 - Settings:
 - Test point: TP3, TP4 (DC balance)
 - TP5, TP6 (Distortion)
 - Adjustment location: L741
 - Input level: 54dB
 - Method: Set to FM 98.0MHz and adjust L741 so that the voltage between TP3 and TP4 becomes 0V±0.04V. Next check that the distortion is less than 1.3%.

8. Auto stop Level Adjustment
 - Settings:
 - Test point: TP7
 - Adjustment location: SFR722
 - Input level: 18dB
 - Method: Set to FM 98.0MHz and adjust voltage low (about 0.01V) by SFR722. After that voltage high (about 7.0V) out by 2dB down.



TUNER SECTION

1. Clock Adjustment

- Settings:
- Test point: TP2
 - Adjustment location: TC701

Method: Set to MW 1602kHz and adjust TC701 so that the test point becomes 2052kHz±0.01kHz.

2. MW VT Check

- Settings:
- Test point: TP1
- Method: Set to MW 1602kHz and check that the test point is 6.8±1.0V.

3. MW Tracking Adjustment

- Settings:
- Test point: TP5, TP6
 - Adjustment location: L981
 - Input level: 18dB
- Method: Set to MW 999kHz and adjust L981 that the test point becomes maximum.

4. MW IF Adjustment

- Settings:
- Test point: TP5, TP6
 - L742 450kHz

5. LW VT Adjustment

- Settings:
- Test point: TP1
 - Adjustment location: L942
- Method: Set to LW 144kHz adjust L942 so that the test point becomes 1.5V±0.05V.

6. LW Tracking Adjustment

- Settings:
- Test point: TP5, TP6
 - Adjustment location:
 - L941 144kHz
 - TC942 290kHz

Method: Set up TC942 to center before adjustment. The level at 144kHz is adjusted to MAX by L941. Then the level at 290kHz is adjusted to MAX by TC942.

7. FM VT Check

- Settings:
- Test point: TP1
- Method: Set to FM 87.5MHz and check that the test point is more than 1.5V. Then set to FM 108MHz and check that the test point is less than 8.2V.

8. FM Tracking Check

- Settings:
- Test point: TP5, TP6
- Check that the test point is 2±6dB and distortion is less than 3% at FM 98.0MHz.

9. DC Balance/MONO Distortion Adjustment

- Settings:
- Test point: TP3, TP4 (DC balance)
 - TP5, TP6 (Distortion)
 - Adjustment location: L741
 - Input level: 54dB
- Method: Set to FM 98.0MHz and adjust L741 so that the voltage between TP3 and TP4 becomes 0V±0.04V. Next check that the distortion is less than 1.3%.

10. Auto stop Level Adjustment

- Settings:
- Test point: TP7
 - Adjustment location: SFR722
 - Input level: 18dB
- Method: Set to FM 98.0MHz and adjust voltage low (about 0.01V) by SFR722. After that voltage high (about 7.0V) out by 2dB down.

PRACTICAL SERVICE FIGURE

TUNER SECTION

< FM SECTION > RX-N757 MODEL

IHF Sensitivity: (THD 3%)	4dB±6dB (87.5MHz) 2dB±6dB (98.0MHz) 2dB±6dB (108.0MHz)
S/N 50dB Quieting sensitivity:	30dB±5dB (87.5/98.0/108.0MHz)
Signal to noise ratio:	More than 64dB (98.0MHz)
Distortion:	Less than 1.2% (98.0MHz)
Stereo separation:	More than 25dB (98.0MHz)
Intermediate frequency:	10.7MHz

< FM SECTION > RX-N757R/656R MODELS

IHF Sensitivity: (THD 3%)	7dB±6dB (87.5MHz) 4dB±6dB (98.0MHz) 4dB±6dB (108.0MHz)
S/N 50dB Quieting sensitivity:	35dB±5dB (87.5/98.0/108.0MHz)
Signal to noise ratio:	More than 64dB (98.0MHz)
Distortion:	Less than 1.2% (98.0MHz)
Stereo separation:	More than 25dB (98.0MHz)
Intermediate frequency:	10.7MHz

< MW SECTION > EXCEPT LH, U MODELS

Sensitivity: (S/N 20dB)	54dB± $\frac{8}{6}$ dB (603kHz) 53dB±6dB (999kHz) 53dB±6dB (1404kHz)
Distortion:	Less than 1.5% (999kHz)
Stereo separation:	More than 12dB (999kHz)
Intermediate frequency:	450kHz

< AM SECTION > LH, U MODELS

Sensitivity: (S/N 20dB)	54dB± $\frac{8}{6}$ dB (600kHz) 53dB±6dB (1000kHz) 53dB±6dB (1400kHz)
Distortion:	Less than 1.5% (1000kHz)
Stereo separation:	More than 12dB (1000kHz)
Intermediate frequency:	450kHz

< SW1 SECTION > HE, HR, HK MODELS

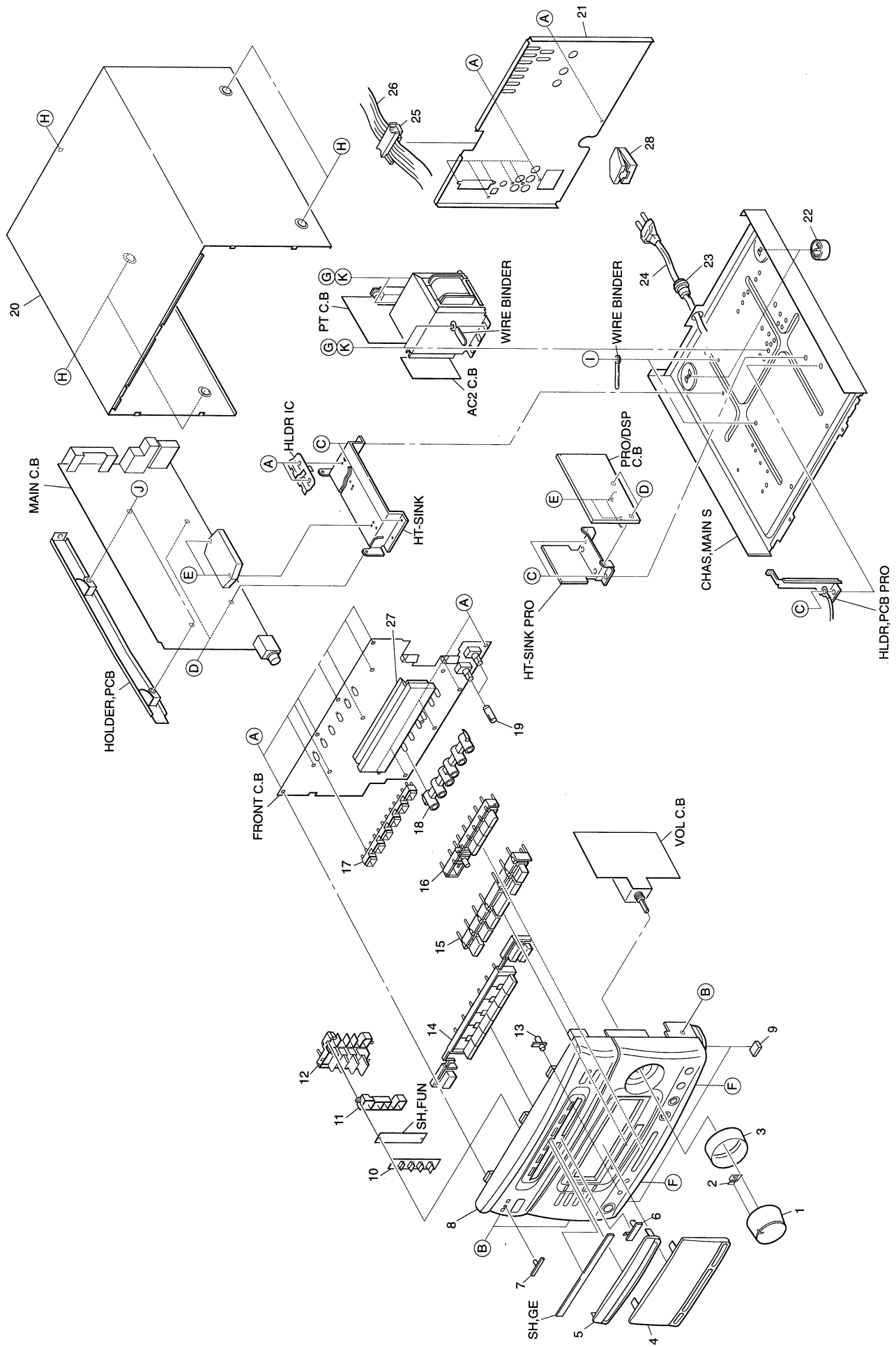
Sensitivity: (S/N 20dB)	32dB± $\frac{5}{3}$ dB (3.20MHz) 29dB± $\frac{5}{3}$ dB (5.00MHz) 27dB± $\frac{5}{3}$ dB (7.30MHz)
Distortion:	Less than 1.5% (5.00MHz)
Intermediate frequency:	450kHz

< SW2 SECTION > HE, HR, HK MODELS

Sensitivity: (S/N 20dB)	45dB±5dB (9.50MHz) 40dB±5dB (15.00MHz) 31dB±5dB (21.85MHz)
Distortion:	Less than 1.5% (15.00MHz)
Intermediate frequency:	450kHz

< LW SECTION > RX-N757R/656R MODELS

Sensitivity: (S/N 20dB)	66dB±5dB (144kHz) 63dB±5dB (198kHz) 62dB±5dB (290kHz)
Distortion:	Less than 1.5% (198kHz)
Intermediate frequency:	450kHz



MECHANICAL PARTS LIST 1 / 1

DESCRIPTIONで判断できない物は“REFERENCE NAME LIST”を参照してください。
If can't understand for Description please kindly refer to “REFERENCE NAME LIST”.

REF. NO	PART NO.	カブリ NO.	DESCRIPTION	REF. NO	PART NO.	カブリ NO.	DESCRIPTION
1	85-NT3-005-019		KNOB, VOL	21	85-NT3-014-019		PANEL, REAR HRJBN<HR>
2	83-NEK-080-019		IND, VOL	21	85-NT3-016-019		PANEL, REAR KBN<K>
3	83-NT4-011-019		RING, VOL	21	85-NT3-015-019		PANEL, REAR LHBN<LH>
4	85-NT3-004-019		WIND, AMP<656REZ>	21	85-NT3-013-019		PANEL, REAR UBN<U>
4	85-NT3-023-019		WIND, AMP P<HE, HK, HR, LH, U>	22	87-085-213-019		FOOT, H12.5
4	85-NT3-024-019		WIND, AMP R<K, EE, EZ>	23	87-085-185-019		BUSHING, AC CORD E<EXCEPT U>
5	83-NT4-008-019		WIND, GE	23	87-085-189-019		BUSHING, CORD U<U>
6	85-NT3-006-019		BADGE, RDS<656REZ, K, EE, EZ>	24	87-050-100-019		AC CORD ASSY K3P<K>
7	82-NE8-032-019		BADGE AIWA 27.5	24	87-050-053-019		AC CORD ASSY, U-2<U>
8	85-NT3-008-019		CAB, FR EX<K, EE, EZ>	24	87-050-079-019		AC-CORD ASSY, E<EXCEPT K, U>
8	85-NT3-011-019		CAB, FR EX1<656REZ>	25	89-VT5-202-010		BUSHING CORD
8	85-NT3-001-019		CAB, FR H<HE, HK, HR, LH>	26	82-NT3-631-119		CORD FG 15P
8	85-NT3-009-019		CAB, FR U<U>	27	83-NF5-202-019		GUIDE, FL
10	83-NT4-010-019		IND, FUN	28	87-099-811-018		PLUG, ADPTR CONV (K) <HK>
11	83-NT4-202-019		GUIDE, LED FUN	A	87-067-703-019		BVT2+3-10 (W/O SLOT)
12	83-NT4-005-219		KEY, FUN	B	87-591-094-419		QIT + 3 - 6 GOLD
13	83-NT4-014-019		LENS, SENSOR	C	87-067-688-019		BVTT +3-6
14	83-NT4-004-019		KEY, POWER<HE, HK, HR, LH, U>	D	87-067-633-019		BVT2+3-8 W/CONVEX
14	85-NT3-007-019		KEY, POWER EX<656REZ, K, EE, EZ>	E	87-067-581-019		BVT2+3-15 W/O SLOT
15	83-NT4-006-019		KEY, OPE	F	87-067-673-019		BVTT +3-8 BLK
16	83-NTE-005-019		KEY, KARAOKE 14	G	87-067-975-019		S-SCREW IT+4-8<HE, HK, HR, LH>
17	83-NT4-201-019		GUIDE, LED GE	G	87-078-019-019		S-SCREW, IT+4-6<656REZ, K, EE, U, EZ>
18	83-NT4-203-019		GUIDE, LED OPE	H	87-067-641-019		UTT2+3-8 W/O SLOT BLK
19	84-CF3-009-019		KNOB, MIC	I	87-067-585-019		BVTT +4-6
20	83-NTE-022-119		CAB, STEEL K	J	87-078-084-019		BVTT+3-6 W, CONVEX
21	85-NT3-017-019		PANEL, REAR EEBN<EE>	K	87-067-747-019		W, 4.3-14-1<HE, HK, HR, LH>
21	85-NT3-019-019		PANEL, REAR EZ1BN<656REZ>				
21	85-NT3-018-019		PANEL, REAR EZBN<EZ>				
21	85-NT3-002-019		PANEL, REAR HEJBN<HE>				
21	85-NT3-020-019		PANEL, REAR HKJBN<HK>				

MODEL NO.

FD-N757

ELECTRICAL MAIN PARTS LIST

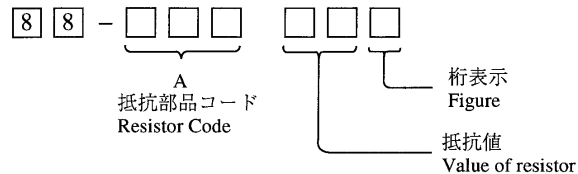
DESCRIPTIONで判断できない物は“REFERENCE NAME LIST”を参照してください。
If can't understand for Description please kindly refer to “REFERENCE NAME LIST”.

REF. NO	PART NO.	カリ NO.	DESCRIPTION	REF. NO	PART NO.	カリ NO.	DESCRIPTION
IC				C312	87-010-177-089		C-CAP, S 820P-50 SL
	87-020-454-010	IC, DM6851		C313	87-010-401-089		CAP, E 1-50 SME
	87-020-758-019	IC, NJM2068SD		C314	87-010-401-089		CAP, E 1-50 SME
	87-001-607-089	IC, NJM4558M		C401	87-012-156-089		C-CAP, S 220P-50 CH
	87-001-874-019	IC, HA12134A		C402	87-012-156-089		C-CAP, S 220P-50 CH
	87-017-916-019	IC, BU4066BC		C403	87-010-178-089		C-CAP, S 1000P-50 B
	85-NV3-610-010	IC, LC865008B-5803		C405	87-010-260-089		CAP, E 47-25 SME
				C406	87-010-197-089		C-CAP, S 0.01-25 B
				C407	87-010-183-089		C-CAP, S 2700P-50 B
				C408	87-010-183-089		C-CAP, S 2700P-50 B
TRANSISTOR				C409	87-010-183-089		C-CAP, S 2700P-50 B
	87-026-463-080	TR, 2SA933S (RS)		C410	87-010-196-089		C-CAP, S 0.1-25 F
	87-026-211-089	C-TR, DTA144EK T147		C411	87-010-198-089		C-CAP, S 0.022-25 B
	87-026-210-089	C-TR, DTC144EK T147		C501	87-012-142-089		C-CAP, S 0.33-16 F
	89-503-655-689	FET, 2SK365GR BL		C502	87-012-142-089		C-CAP, S 0.33-16 F
	89-327-125-089	C-TR, 2SC2712GR		C503	87-010-178-089		C-CAP, S 1000P-50 B
	89-111-625-089	C-TR, 2SA1162GR		C504	87-010-178-089		C-CAP, S 1000P-50 B
	89-333-317-089	TR, 2SC3331T		C505	87-012-155-089		C-CAP, S 180P-50 CH
	89-318-155-089	TR, 2SC1815GR		C506	87-012-155-089		C-CAP, S 180P-50 CH
	89-109-521-089	TR, 2SA952K		C507	87-010-401-089		CAP, E 1-50 SME
	89-332-665-089	TR, 2SC3266GR		C508	87-010-401-089		CAP, E 1-50 SME
	87-026-230-089	C-TR, DTA114YK		C509	87-010-545-089		CAP, E 0.22-50 SME
	87-026-213-089	C-TR, DTC114YK		C510	87-010-545-089		CAP, E 0.22-50 SME
				C511	87-010-371-089		CAP, E 470-6.3
				C512	87-015-819-089		CHIP CAP 0.01
DIODE				C513	87-010-318-089		C-CAP, S 47P-50 CH
	87-020-465-089	DIODE, ISS133		C514	87-010-197-089		C-CAP, S 0.01-25 B
	87-020-125-089	C-DIODE, 18S181		C515	87-010-400-089		CAP, E 0.47-50 SME
	87-001-290-089	ZENER, HZS6B1L		C516	87-010-405-089		CAP, E 10-50 SME
	87-017-150-089	ZENER, HZS6A3L		C519	87-010-401-089		CAP, E 1-50 SME
				C520	87-010-401-089		CAP, E 1-50 SME
MAIN C.B				C521	87-010-197-089		C-CAP, S 0.01-25 B
	C101	87-012-156-089	C-CAP, S 220P-50 CH	C522	87-010-184-089		C-CAP, S 3300P-50 B
	C102	87-012-156-089	C-CAP, S 220P-50 CH	C601	87-010-235-089		CAP, E 470-16 SME
	C103	87-010-197-089	C-CAP, S 0.01-25 B	C602	87-010-381-089		CAP, E 330-16 SME
	C104	87-010-197-089	C-CAP, S 0.01-25 B	C603	87-010-101-089		CAP, E 220-16 SME
	C105	87-010-426-089	C-CAP, S 0.012-25 B	C604	87-010-980-089		CAP, E 330-16 FS
	C106	87-010-426-089	C-CAP, S 0.012-25 B	C605	87-010-263-089		CAP, E 100-10 SME 5X11
	C107	87-010-189-089	C-CAP, S 8200P-50 B	C606	87-018-134-089		CAP, TC-U 0.01-16 Y
	C108	87-010-189-089	C-CAP, S 8200P-50 B	C901	87-010-197-089		C-CAP, S 0.01-25 B
	C109	87-010-198-089	C-CAP, S 0.022-25 B	C902	87-010-402-089		CAP, E 2.2-50 SME
	C201	87-012-154-089	C-CAP, S 150P-50 CH	C903	87-010-196-089		C-CAP, S 0.1-25 F
	C202	87-012-154-089	C-CAP, S 150P-50 CH	C905	87-010-186-089		C-CAP, S 4700P-50 B
	C203	87-012-145-089	C-CAP, S 270P-50CH	C906	87-010-186-089		C-CAP, S 4700P-50 B
	C204	87-012-145-089	C-CAP, S 270P-50CH	C907	87-010-196-089		C-CAP, S 0.1-25 F
	C205	87-010-197-089	C-CAP, S 0.01-25 B	C908	87-010-196-089		C-CAP, S 0.1-25 F
	C206	87-010-197-089	C-CAP, S 0.01-25 B	C950	87-018-209-089		CAP, TC-U 0.1-50 F
	C207	87-010-213-089	C-CAP, S 0.015-50 B	C951	87-018-209-089		CAP, TC-U 0.1-50 F<YU>
	C208	87-010-213-089	C-CAP, S 0.015-50 B	CON907	82-NV3-624-019		CONN ASSY, 7P MECHA 1
	C209	87-010-189-089	C-CAP, S 8200P-50 B	CON908	82-NV3-625-019		CONN ASSY, 10P MECHA2
	C210	87-010-189-089	C-CAP, S 8200P-50 B	EMI601	87-008-372-089		FLTR, EMI BL 01RN1
	C211	87-012-156-089	C-CAP, S 220P-50 CH	EMI604	87-008-372-089		FLTR, EMI BL 01RN1
	C212	87-012-156-089	C-CAP, S 220P-50 CH	EMI605	87-008-372-089		FLTR, EMI BL 01RN1
	C301	87-012-154-089	C-CAP, S 150P-50 CH	FC1	82-NV3-629-019		CABLE FFC, 4P-1.25
	C302	87-012-154-089	C-CAP, S 150P-50 CH	FC2	83-NV4-618-019		CABLE FFC, 6P-1.25
	C303	87-010-402-089	CAP, E 2.2-50 SME	FC3	83-NV4-617-019		CABLE FFC, 13P-1.25-R
	C304	87-010-402-089	CAP, E 2.2-50 SME	FC4	82-NV3-626-019		CABLE FFC, 6P-1.25
	C305	87-010-197-089	C-CAP, S 0.01-25 B	L301	87-005-525-089		COIL, 22MH-J
	C306	87-010-197-089	C-CAP, S 0.01-25 B	L302	87-005-525-089		COIL, 22MH-J
	C307	87-010-181-089	C-CAP, S 1800P-50 B	L303	87-005-580-089		COIL, 10MHJ
	C308	87-010-181-089	C-CAP, S 1800P-50 B	L304	87-005-580-089		COIL, 10MHJ
	C309	87-010-186-089	C-CAP, S 4700P-50 B	L401	82-NV3-610-019		COIL, OSC BIAS 85K
	C310	87-010-186-089	C-CAP, S 4700P-50 B	L402	87-005-126-089		COIL, 1MH
	C311	87-010-177-089	C-CAP, S 820P-50 SL	R727	87-022-394-089		RES, NF 0.47-1/4W
				SFR101	87-024-168-089		SFR, 1K DIA6 V

REF. NO	PART NO.	カンリ NO.	DESCRIPTION	REF. NO	PART NO.	カンリ NO.	DESCRIPTION
SFR102	87-024-168-089	SFR,1K DIA6 V		S809	87-036-215-089	SW, TACT	EVQ21404M
SFR201	87-024-168-089	SFR,1K DIA6 V		S810	87-036-215-089	SW, TACT	EVQ21404M
SFR202	87-024-168-089	SFR,1K DIA6 V					
SFR301	87-024-171-089	SFR,4.7K DIA6 V					
SFR302	87-024-171-089	SFR,4.7K DIA6 V					
				TAPE-1	C.B		
SFR401	87-024-175-089	SFR,47K DIA6 V		SOL1	82-ZM1-618-310	SOL ASSY,27	
SFR402	87-024-175-089	SFR,47K DIA6 V		SW4	87-036-110-010	SW, PUSH SPPB 62	
X901	87-030-264-089	CERA LOCK(MU)12.0MHZ		SW5	87-036-110-010	SW, PUSH SPPB 62	
				SW6	87-036-110-010	SW, PUSH SPPB 62	
				TAPE-2	C.B		
LED801	87-017-972-080	LED,SEL 2515C TP2		SFR1	87-024-170-080	SFR,3.3K DIA6 V	
LED803	87-017-973-080	LED,SEL 2515C TP3		SOL1	82-ZM1-618-310	SOL ASSY,27	
LED805	87-017-973-080	LED,SEL 2515C TP3		SW2	87-036-110-010	SW, PUSH SPPB 62	
S801	87-036-215-089	SW, TACT EVQ21404M		SW3	87-036-110-010	SW, PUSH SPPB 62	
S802	87-036-215-089	SW, TACT EVQ21404M		SW4	87-036-110-010	SW, PUSH SPPB 62	
S803	87-036-215-089	SW, TACT EVQ21404M		SW5	87-036-110-010	SW, PUSH SPPB 62	
S804	87-036-215-089	SW, TACT EVQ21404M		SW6	87-036-110-010	SW, PUSH SPPB 62	
S805	87-036-215-089	SW, TACT EVQ21404M					
				RELAY-1	C.B		
LED701	87-070-108-019	LED,SLF-301C-37		RELAY-2	C.B		
LED702	87-070-108-019	LED,SLF-301C-37		CON201	82-NV3-623-019	CONN ASSY,6P HEAD 2	
S806	87-036-215-089	SW, TACT EVQ21404M					
S807	87-036-215-089	SW, TACT EVQ21404M					
S808	87-036-215-089	SW, TACT EVQ21404M					

○ チップ抵抗部品コード/CHIP RESISTOR PART CODE

チップ抵抗部品コードの成り立ち
Chip Resistor Part Coding



チップ抵抗
Chip resistor

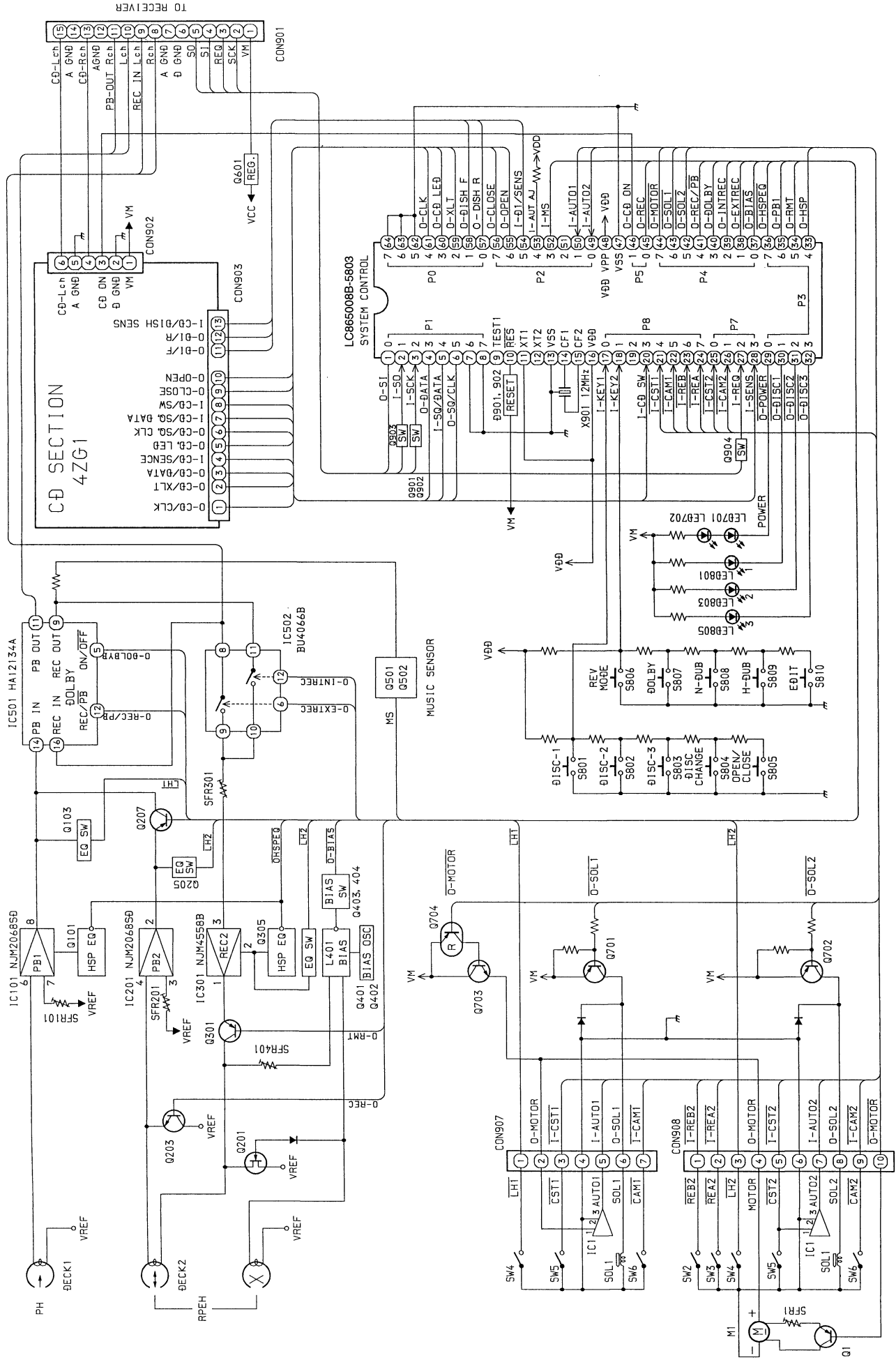
Wattage 容量	Type 種類	Tolerance 許容誤差	Symbol 記号	Dimensions/寸法 (mm)			Resistor Code: A 抵抗コード : A	
				Form/外形	L	W		t
1/32W	1608	±5%	CJ		1.6	0.8	0.35	108
1/10W	2125	±5%	CJ		2	1.25	1.45	118
1/8W	3216	±5%	CJ		3.2	1.6	0.5 ~0.7	128

IC DESCRIPTION

IC, LC865008B-5582

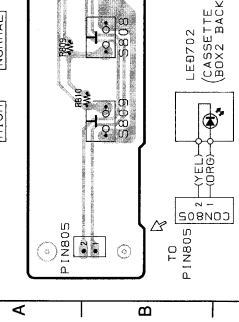
Pin No.	Pin Name	I/O	Description
1	O-SI	O	Serial data output.
2	I-SO	I	Serial data input.
3	I-SCK	I	Serial clock input.
4	O-DATA	O	Serial data output.
5	I-SQ/DATA	I	Sub-code input from CD.
6	O-SQ/CLK	O	Clock output for CD subcode input.
7	—	—	Not used. (Connected to GND)
8	—	—	Not used. (Connected to GND)
9	TEST1	—	Not used.
10	RES	I	Reset input.
11	XT1	—	Connected to +5.6V.
12	XT2	—	Not used.
13	VSS	—	Connected to GND.
14	CF1	I	Input pin for ceramic oscillator.
15	CF2	O	Output pin for ceramic oscillator.
16	VDD	—	Connected to +5.6V.
17	I-KEY1	I	Key data is input in the form of A/D level.
18	I-KEY2	I	Key data is input in the form of A/D level.
19	—	—	Not used. (No connection)
20	I-CDSW	I	CD tray condition is input in the form of A/D level.
21	I-SW CST1	I	Input from DECK-1 tape detector.
22	I-SW CAM1	I	Input from DECK-1 cam switch detector.
23	I-SW REB	I	Input from B side record safety claw detector.
24	I-SW REA	I	Input from A side record safety claw detector.
25	I-SW CST2	I	Input from DECK-2 tape detector.
26	I-SW CAM2	I	Input from DECK-2 cam switch detector.
27	I-REQ	I	Data request input.
28	I-SENS	I	Control sense input.
29	O-POWER	O	System power supply ON/OFF output.
30	O-DISC1	O	Output to illuminate "1" button.
31	O-DISC2	O	Output to illuminate "2" button.
32	O-DISC3	O	Output to illuminate "3" button.
33	O-HSP	O	High speed output to deck motor.
34	O-RMT	O	Muting output to record amplifier.
35	O-PB1	O	Selection between DECK-1 and DECK-2.
36	O-HSPEQ	O	Equalizer selection during high speed dubbing.
37	O-BIAS	O	Output to bias switch.
38	O-EXTREC	O	Mixing recording (except synchro dubbing) ON/OFF output from tape to tape.
39	O-INTREC	O	Recording ON/OFF output except mixing dubbing.
40	O-DOLBY	O	Dolby selection (ON/OFF) output to Dolby IC
41	O-REC/PB	O	Output to Dolby IC for its input selection(REC/PB).
42	O-SOL2	O	Solenoid output to DECK-2
43	O-SOL1	O	Solenoid output to DECK-1
44	O-MOTOR	O	DECK motor output
45	O-REC	O	Output for shorting DECK-2 playback amplifier input during record.
46	O-CDON	O	Output to select power (ON/OFF) of CD circuit
47	VSS	—	Connected GND
48	VDD·VPP	—	Connected to +5.6V
49	I-AUTO2	I	Input from Hall IC detector of DECK-2
50	I-AUTO1	I	Input from Hall IC detector of DECK-1
51	O-PAL/NTSC	O	PAL/NTSC selection of CDG
52	I-MS	I	Input from music search detector
53	I-AUT AJ	I	CD automatic adj. sw sensor input.
54	I-DI SENSE	I	CD turn table photo sensor input. (Connected to VDD.)
55	O-OPEN	O	CD tray OPEN output
56	O-CLOSE	O	CD tray CLOSE output
57	O-DISHR	O	CD turntable reverse rotation output
58	O-DISHF	O	CD turntable forward rotation output
59	O-XLT	O	Control data latch output.
60	O-CD LED	O	CD flash window LED ON/OFF output.
61	O-CD CLK	O	Control data transfer clock output.
62	—	—	Not used (Connected GND)
63	—	—	Not used (Connected GND)
64	—	—	Not used (Connected GND)

BLOCK DIAGRAM-1

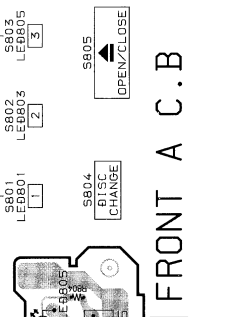


1 2 3 4 5 6 7 8 9 10 11 12 13 14

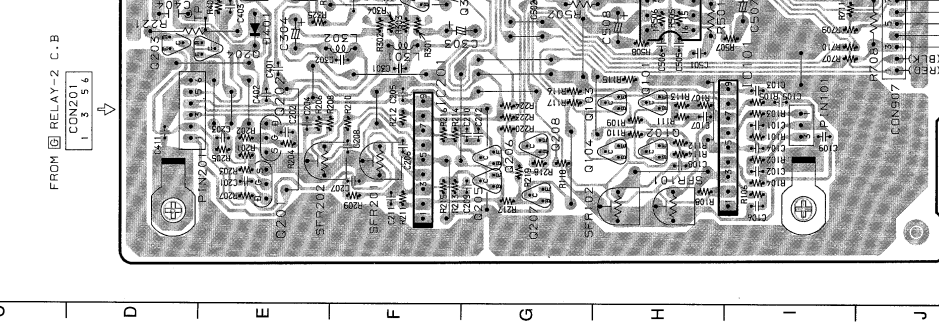
C FRONT B C.B



B FRONT A C.B



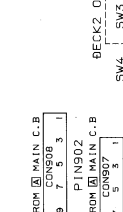
A MAIN C.B



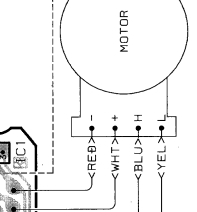
D TAPE-1 C.B



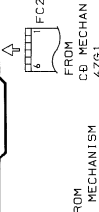
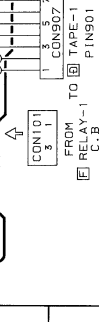
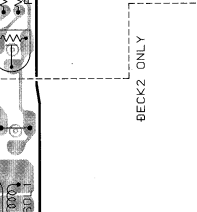
E TAPE-2 C.B



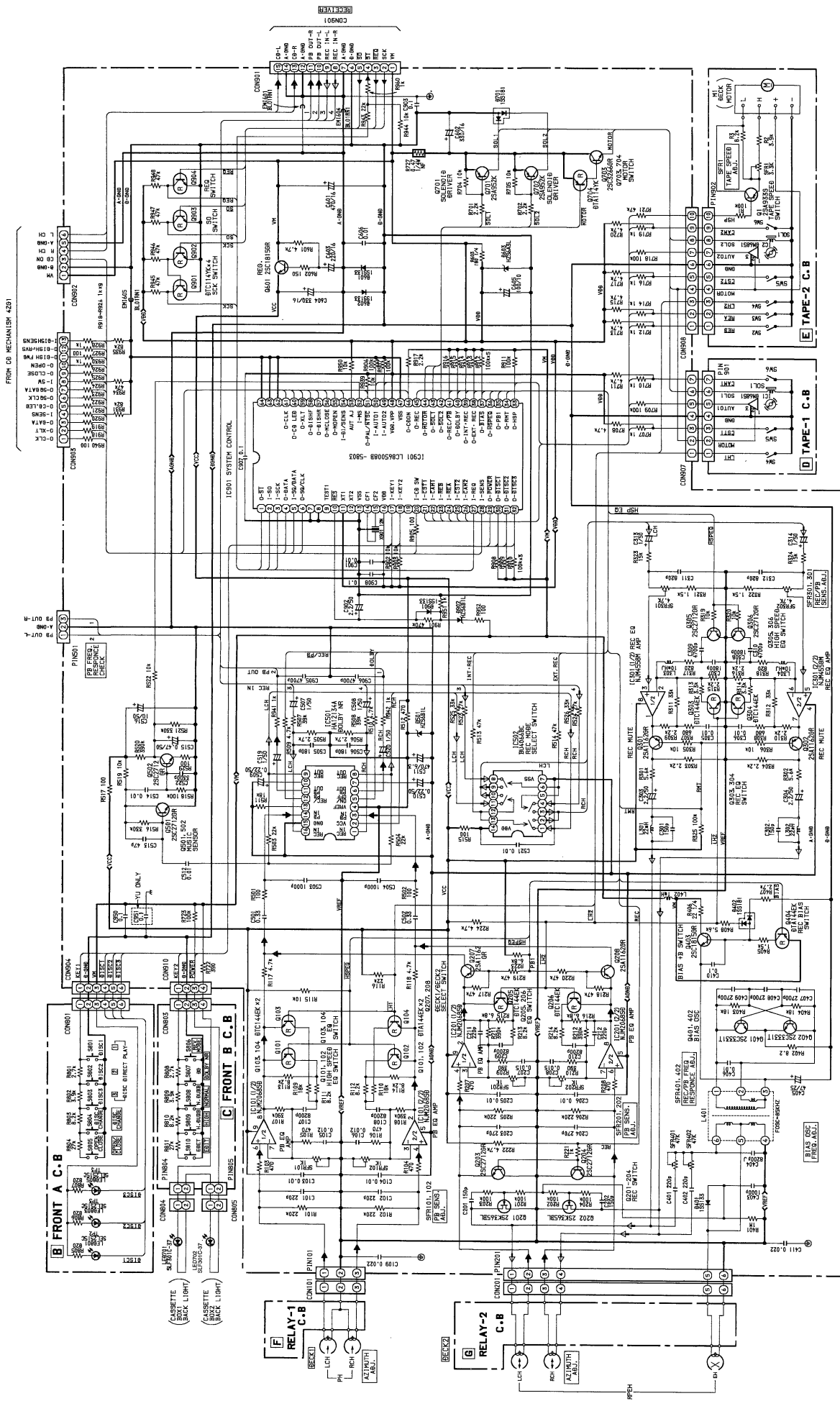
F RELAY-1 C.B



G RELAY-2 C.B



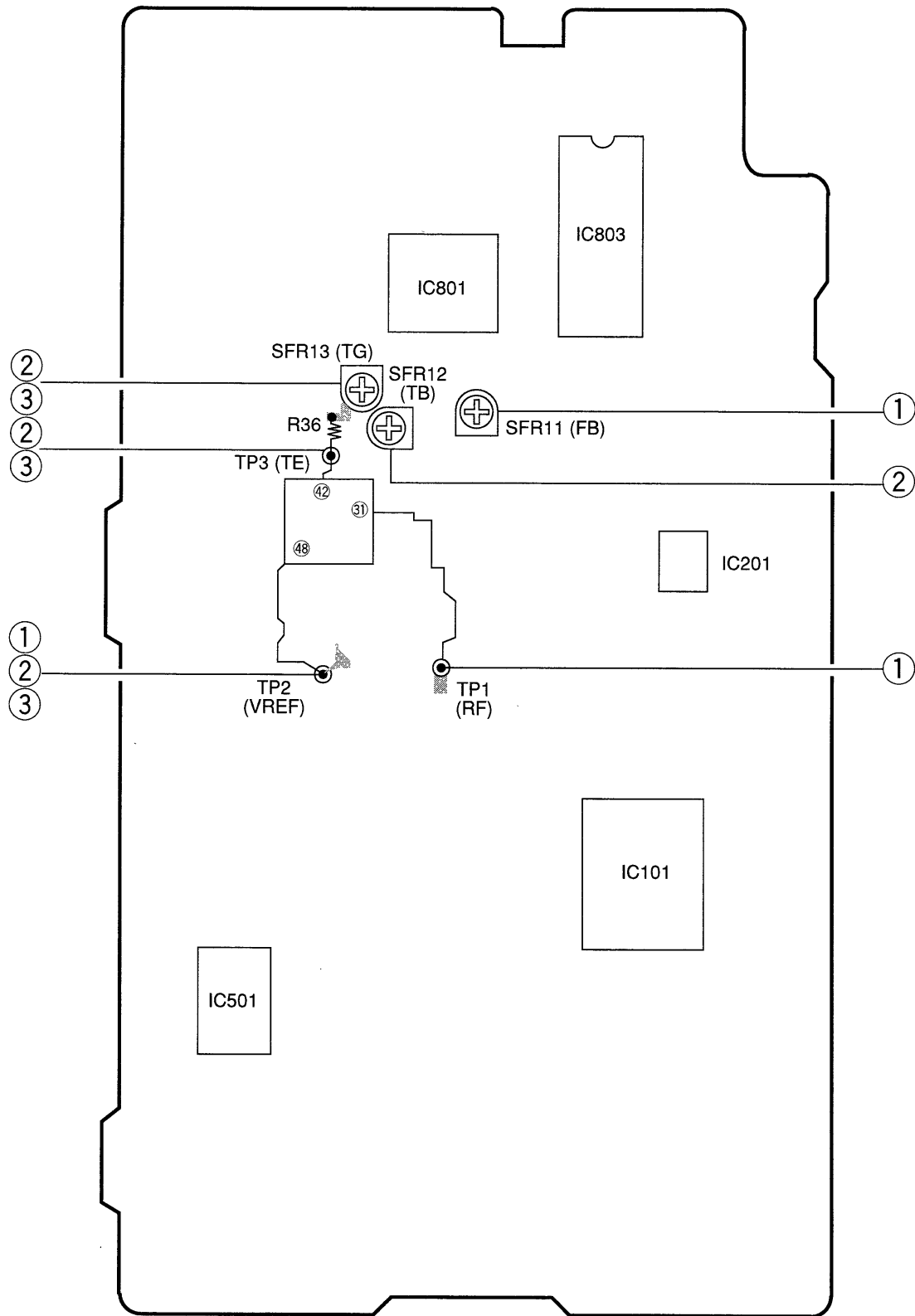
SCHEMATIC DIAGRAM-1 (MAIN)



ELECTRICAL ADJUSTMENT

(CD SECTION)

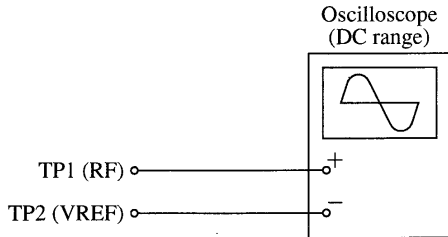
A 3CD C.B



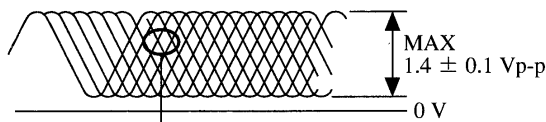
Note: Connect a probe (10: 1) of the oscilloscope or the frequency counter to a test point.

1. Focus Bias Adjustment

Make the focus bias adjustment when replacing and repairing the optical block.



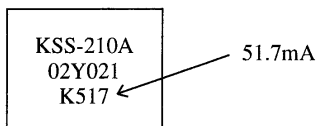
- 1) Connect an oscilloscope to test points TP1 (RF) and TP2 (VREF).
- 2) Turn on the power switch.
- 3) Insert test disc TCD-782 (YEDS-18) and play back the second composition.
- 4) Adjust SFR11 so that RF signal of test point TP1 (RF) is MAX and CLEARREST.



EYE PATTERN must be CLEAR and MAX

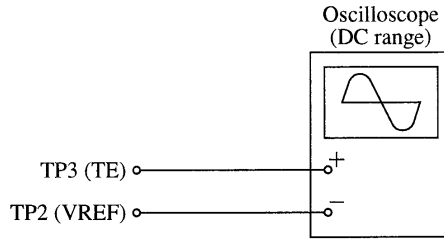
VOLT/DIV : 0.5 V
TIME/DIV : 1 μ S

Note: The current of the laser signal can be checked with the voltages on both sides of R28 (10Ω). The difference for the specified value shown on the level must be within ± 6.0mA.

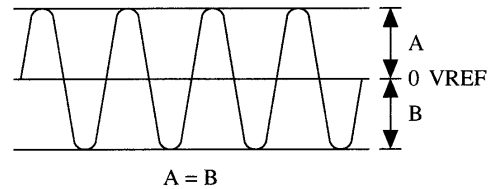


$$\text{Laser current } I_{op} = \frac{\text{Voltage across R28}}{10\Omega}$$

2. Tracking Balance Adjustment



- 1) Connect an oscilloscope to test points TP3 (TE) and TP2 (VREF).
- 2) Turn on the power switch.
- 3) Insert test disc TCD-782 (YEDS-18) and press the PLAY button.
- 4) Connect the intermediate point of SFR13 to TP2 (VREF).
- 5) Adjust SFR12 so that the waveform on the oscilloscope is vertically symmetrical as shown in the figure below.
- 6) After the adjustment is completed, remove the connected lead wires from the terminals.



VOLT/DIV : 200mV
TIME/DIV : 1mS

3. Tracking Gain Adjustment

A servo analyzer is necessary in order to perform this adjustment exactly. However, this gain has a margin, so even if it is slightly off, there is no problem. Therefore, do not perform this adjustment.

Focus/tracking gain determines the pick-up follow-up (vertical and horizontal) relative to mechanical noise and mechanical shock when 2-axis device operates. However, as these reciprocate, the adjustment is at the point where both are satisfied.

- When gain is raised, the noise increases when the 2-axis device operates.
- When gain is lowered, it is more susceptible to mechanical shock and skipping occurs more easily.

When the gain adjustment is off, the symptoms below appear.

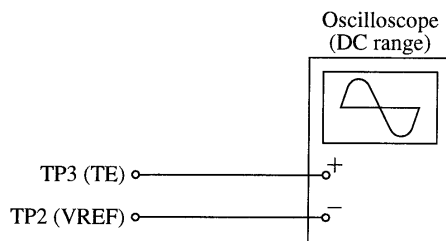
Symptoms \ Gain	(Focus)	Tracking
● The time until music starts becomes longer for STOP → ▶PLAY or automatic selection (◀◀, ▶▶ buttons pressed.) (Normally takes about 2 seconds.)	low	low or high
● Music does not start and disc continues to rotate for STOP → ▶PLAY or automatic selection (◀◀, ▶▶ buttons pressed.)	—	low
● Disc stops to rotate shortly after STOP → ▶PLAY.	low or high	—
● Sound is interrupted during PLAY. Or time counter display stops.	—	low
● More noises during the 2-axis device operation.	high	high

The following is simple adjustment method.

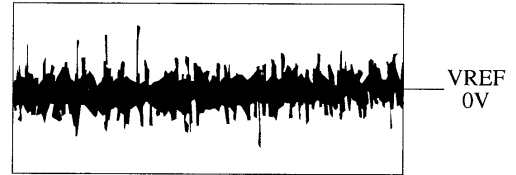
— Simple adjustment —

Note: Since the exact adjustment cannot be performed, remember the positions of the controls before the performing the adjustment. If the positions after the simple adjustment are only a little different, return the controls to the original position.

Procedure:



- 1) Keep the set horizontal. (If the set is not kept horizontally, this adjustment cannot be performed due to the gravity against the 2-axis device.)
- 2) Insert test disc TCD-782 (YEDS-18) and play back the second composition.
- 3) Connect an oscilloscope to TP3 (TE), TP2 (VREF) of the CD C.B.
- 4) Adjust SFR13 so that the waveform appears as shown in the figure below. (tracking gain adjustment)

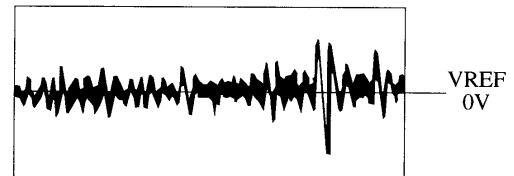


VOLT/DIV: 50 mV
TIME/DIV: 1 mS

● Incorrect example

Low tracking gain

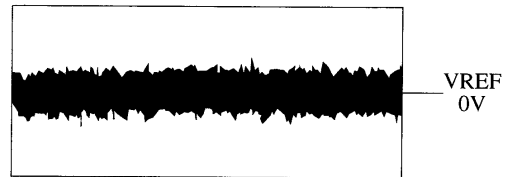
The fundamental wave appears as compared with the waveform adjusted.



VOLT/DIV: 50 mV
TIME/DIV: 1 mS

High tracking gain

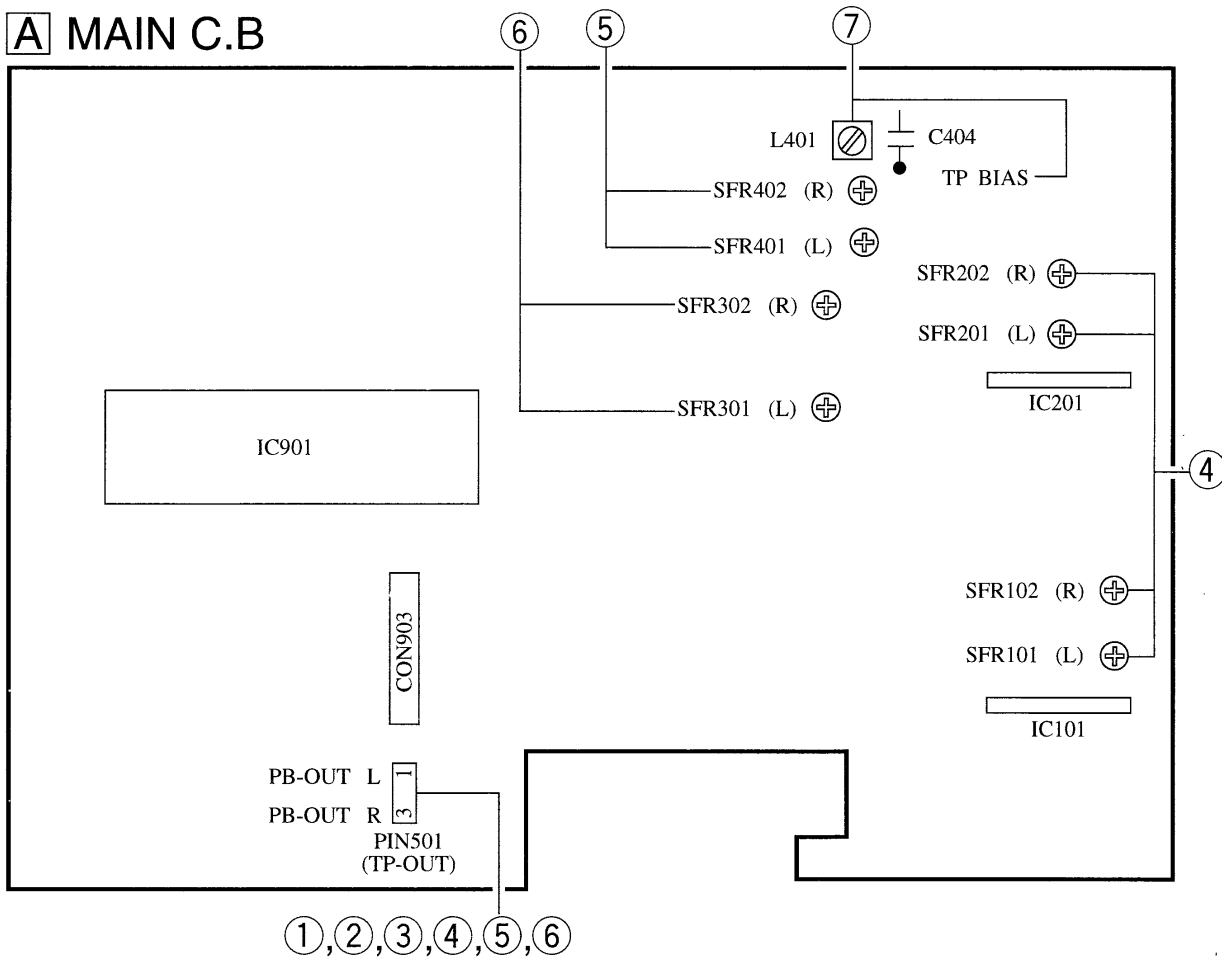
The frequency of the fundamental wave is higher than that in low gain.



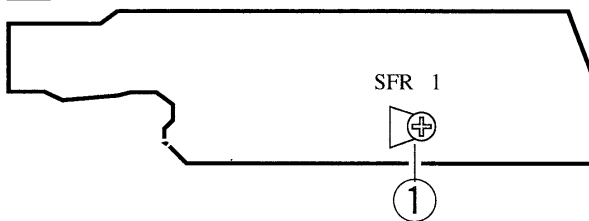
VOLT/DIV: 50 mV
TIME/DIV: 1 mS

(TAPE SECTION)

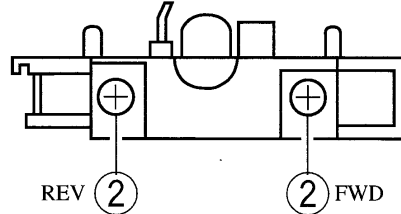
A MAIN C.B



E TAPE-2 C.B



DECK 1P, DECK 2R/P/E HEAD



1. Tape Speed Adjustment

- Settings:
- Test tape: TTA-100
 - Test point: TP CONN 3P (PIN501) ①, ③
 - Adjustment location: SFR1

Method: Play back the test tape by DECK II and adjust SFR1 so that the frequency counter reads 3000Hz±5Hz.

2. Head Azimuth Adjustment

- Settings:
- Test tape: TTA-310
 - Test point: TP CONN 3P (PIN501) ①, ③
 - Adjustment location: Head azimuth adjustment screw

Method: Play back the 10kHz signal of the test tape and adjust screw so that the output becomes maximum. Next, perform on each FWD PLAY and REV PLAY mode.

3. PB Frequency Response Check

- Settings:
- Test tape: TTA-310
 - Test point: TP CONN 3P (PIN501) ①, ③

Method: Play back the 315Hz and 10kHz signals of the test tape and check that the output ratio of the 10kHz signal is with respect to that of the 315Hz signal is ±2dB.

4. PB Sensitivity Adjustment

- Settings:
- Test tape: TTA-200
 - Test point: TP CONN 3P (PIN501) ①, ③ (load 47KΩ)
 - Adjustment location:
 - (I DECK) SFR101 (L ch)
 - SFR102 (R ch)
 - (II DECK) SFR201 (L ch)
 - SFR202 (R ch)

- Method: Play back the test tape and adjust SFRs so that the output level of the test point I DECK is 320mV, II DECK 300mV.
5. REC/PB Frequency Response Adjustment
- Settings:
- Test tape: TTA-601
 - Test point: TP CONN 3P (PIN501) ①, ③
 - Input signal: 1kHz/10kHz (VIDEO/AUX)
 - Adjustment location: SFR401 (L ch)
SFR402 (R ch)
- Method: Apply a 1kHz signal and REC mode. Then adjust OSC attenuator so that the output level at the TP CONN 3P (PIN501) ①, ③ is 21mV. Record and play back the 1kHz and 10kHz signals and adjust SFRs so that the output of the 10kHz signal is $0\text{dB} \pm 0.5\text{dB}$ with respect to that of the 1kHz signals.

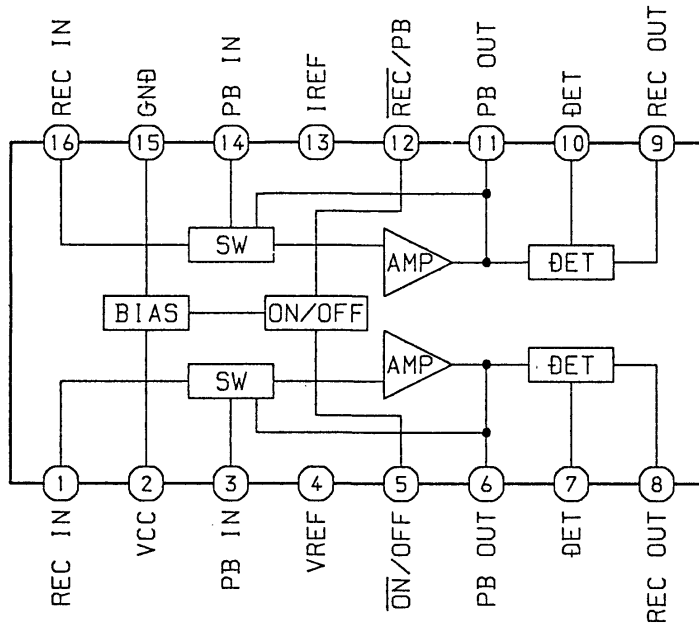
6. REC/PB Sensitivity Adjustment
- Settings:
- Test tape: TTA-601 (TTA-600)
 - Test point: TP CONN 3P (PIN501) ①, ③
 - Input signal: 1kHz (VIDEO/AUX)
 - Adjustment location: SFR301 (L ch)
SFR302 (R ch)

PRACTICAL SERVICE FIGURE

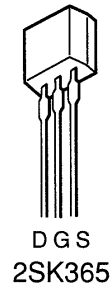
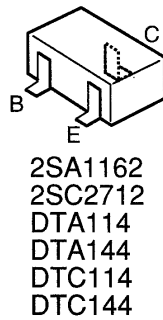
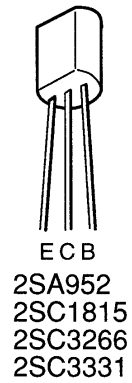
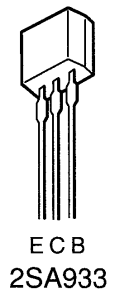
Tape speed:	3000Hz±45Hz	Noise level (REC/PB):	Less than 10mV/15mV DOLBY B NR ON/OFF CrO ₂)
Wow & flutter:	Less than 0.4% (R.M.S)		Less than 15mV/25mV DOLBY B NR ON/OFF NORM)
Take-up torque:	30~55g-cm (FWD, REV)	Erasing ratio:	More than 60dB
F. F torque:	75~180g-cm	REC bias frequency:	85kHz
Rew torque:	75~180g-cm	Test tape:	NORMAL TTA-601 CrO ₂ TTA-610
Back tension:	2~7g-cm		
PB Output level:	2.5±1.0dB (SP OUT)		
REC/PB Output level:	1.75±1.0dB (SP OUT)		
Distortion (REC/PB):	Less than 2% (NORM, CrO ₂)		
Noise level (PB):	Less than 10mV/15mV DOLBY B NR ON/OFF CrO ₂) Less than 15mV/25mV DOLBY B NR ON/OFF NORM)		

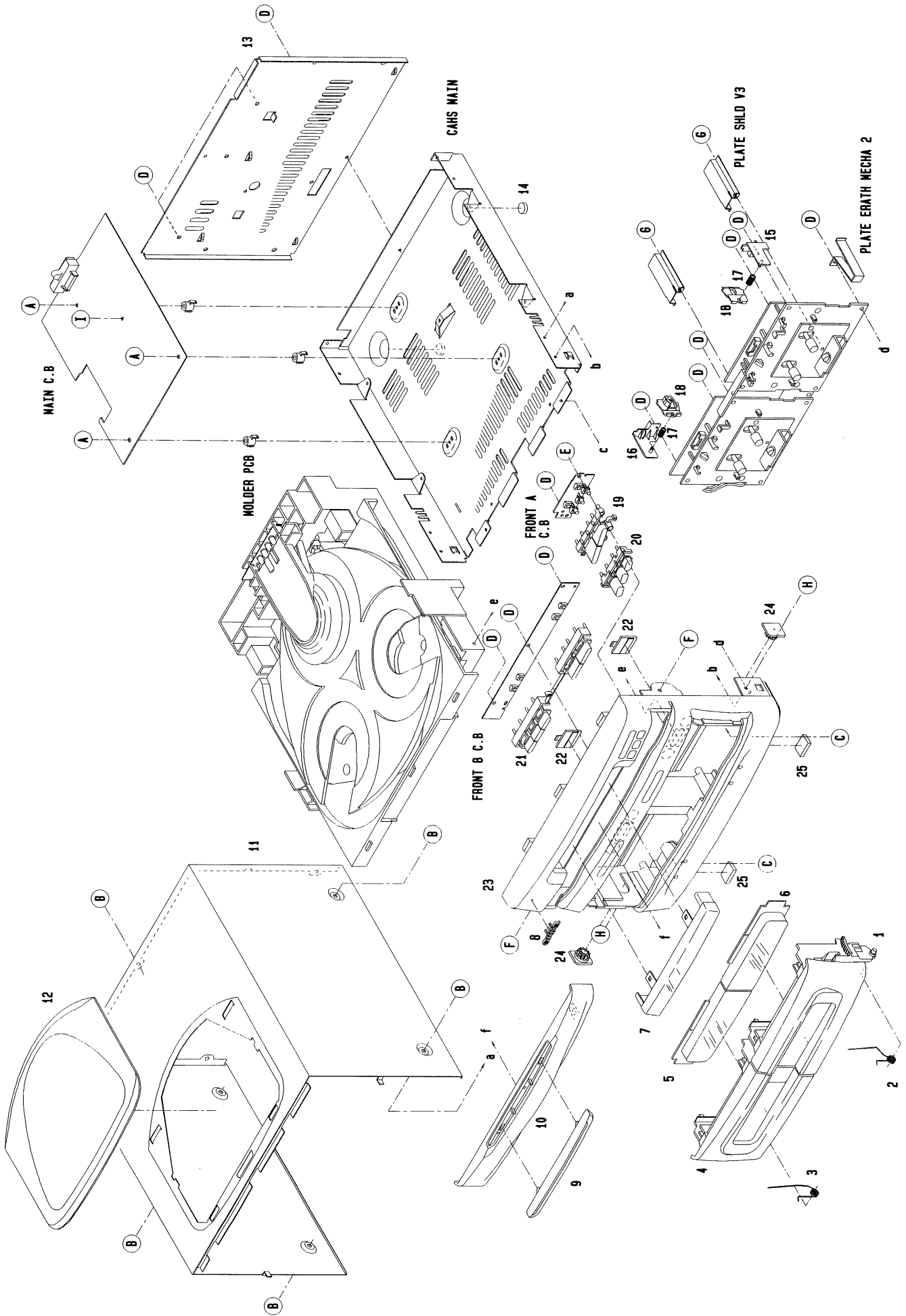
IC BLOCK DIAGRAM

IC, HA12134A



TRANSISTOR ILLUSTRATION



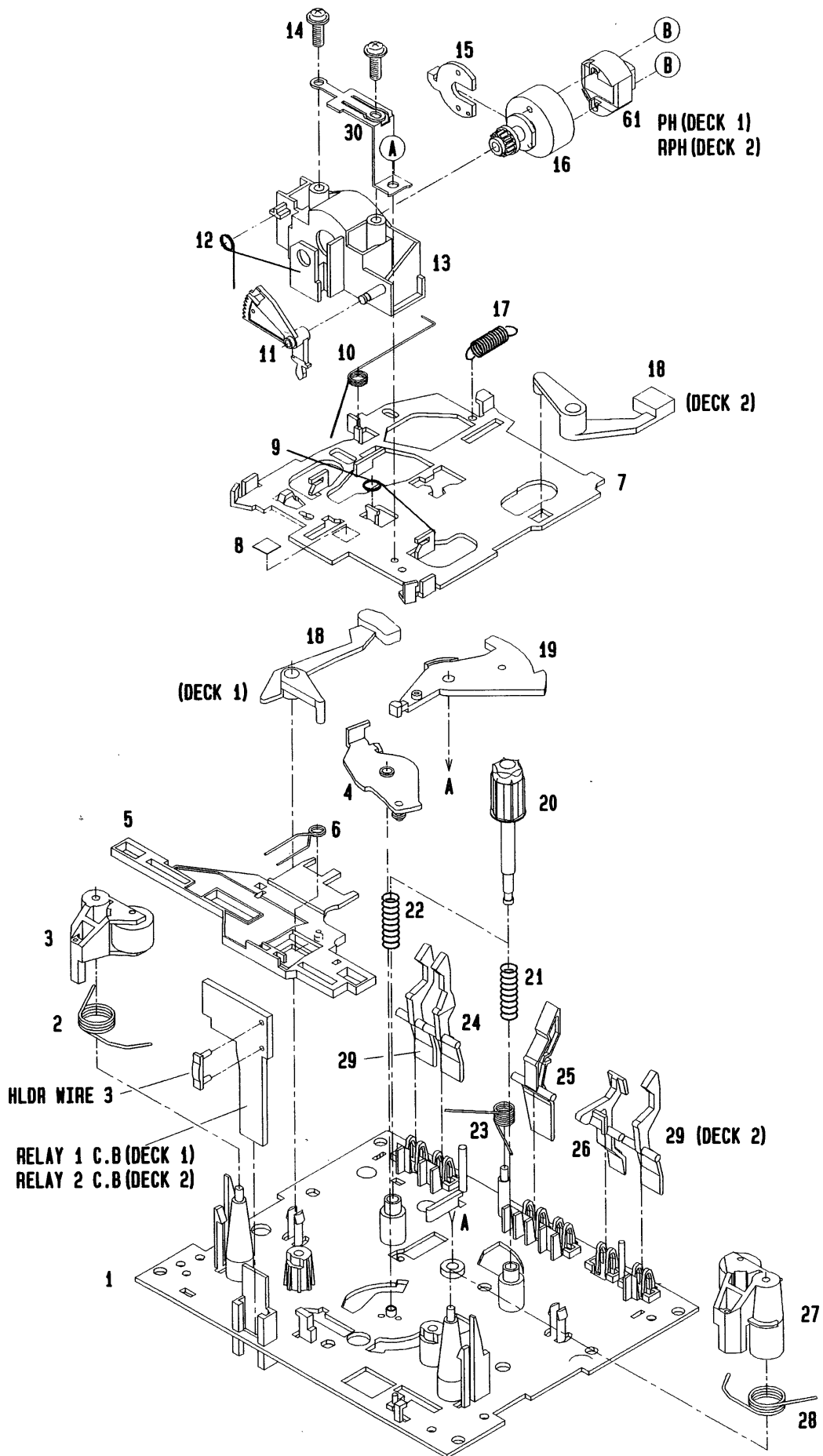


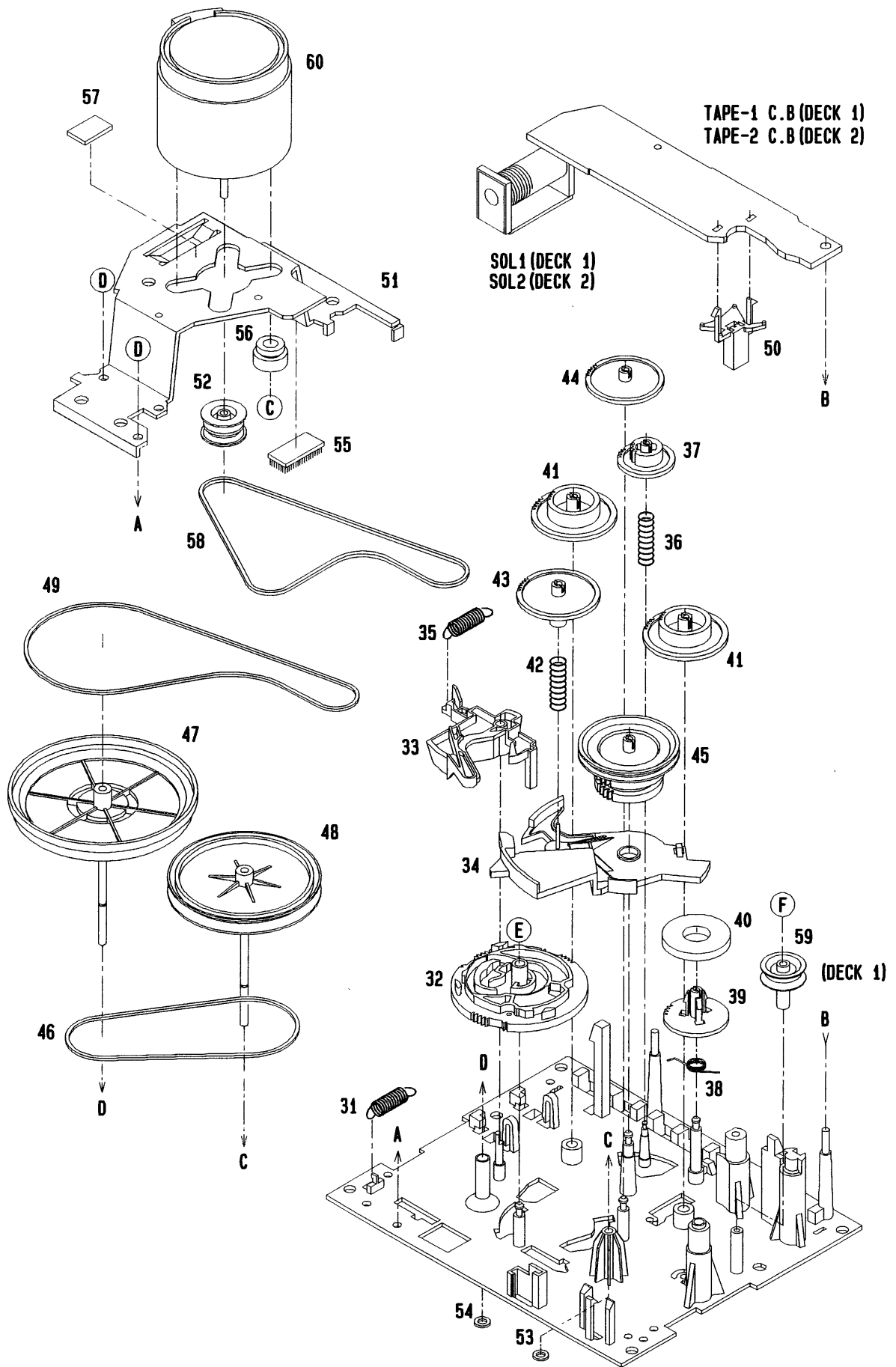
MECHANICAL PARTS LIST 1 / 1

DESCRIPTIONで判断できない物は“REFERENCE NAME LIST”を参照してください。
 If can't understand for Description please kindly refer to “REFERENCE NAME LIST”.

REF. NO	PART NO.	カリ NO.	DESCRIPTION	REF. NO	PART NO.	カリ NO.	DESCRIPTION
1	83-NV4-014-019		WINDOW, BOX 2	20	83-NV4-008-01K		KEY, DISC
2	83-NV4-202-119		SPR-T, EJECT 2	21	83-NV4-009-019		KEY, DOLBY
3	83-NV4-201-119		SPR-T, EJECT 1	22	87-070-108-019		LED, SLF-301C-37
4	83-NV4-013-019		WINDOW, BOX 1	23	85-NV3-002-019		CAB, FR<Y>
5	85-NV3-003-019		BOX, CASS 1	23	85-NV3-007-019		CAB, FR U<YU>
6	85-NV3-004-019		BOX, CASS 2	24	87-063-165-019		OIL-DMPR 150
7	85-NV3-006-019		WINDOW, CD	25	83-NV4-203-019		FELT, 15.5-12.5-2HB
8	82-NE8-032-019		BADGE AIWA 27.5	A	87-067-632-019		BVT2+3-15 W CONVEX
9	83-NV4-006-019		DUMMY, TRAY	B	87-067-641-019		UTT2+3-8 (W/O SLOT)BK
10	85-NV3-005-019		PANEL, TRAY	C	87-067-673-019		BVTT+3-8 BLK
11	83-NV4-011-119		CAB, STEEL	D	87-067-703-019		BVT2+3-10 (W/O SLOT)
12	83-NF5-021-019		WINDOW, TOP	E	87-067-758-019		BVT2+3-12 W/O SLOT
13	85-NV3-009-019		PANEL, REAR YEN<Y>	F	87-721-097-419		QT2+3-12 GLD
13	85-NV3-008-019		PANEL, REAR YUBN<YU>	G	87-571-032-419		VIT+2-3
14	82-NV1-213-019		FELT, DIA 12-2	H	87-591-094-419		QIT+3-6GLD
15	82-NF5-227-019		HLDR, LOCK 2N	I	87-067-579-019		BVT 2+3-8 W/O SLOT
16	82-NF5-226-019		HLDR, LOCK 1N				
17	82-NF5-228-019		SPR-C, LOCK				
18	82-NF5-229-019		PLATE, LOCK				
19	83-NV4-007-019		KEY, OPEN				

TAPE MECHANISM EXPLODED VIEW 1 / 1



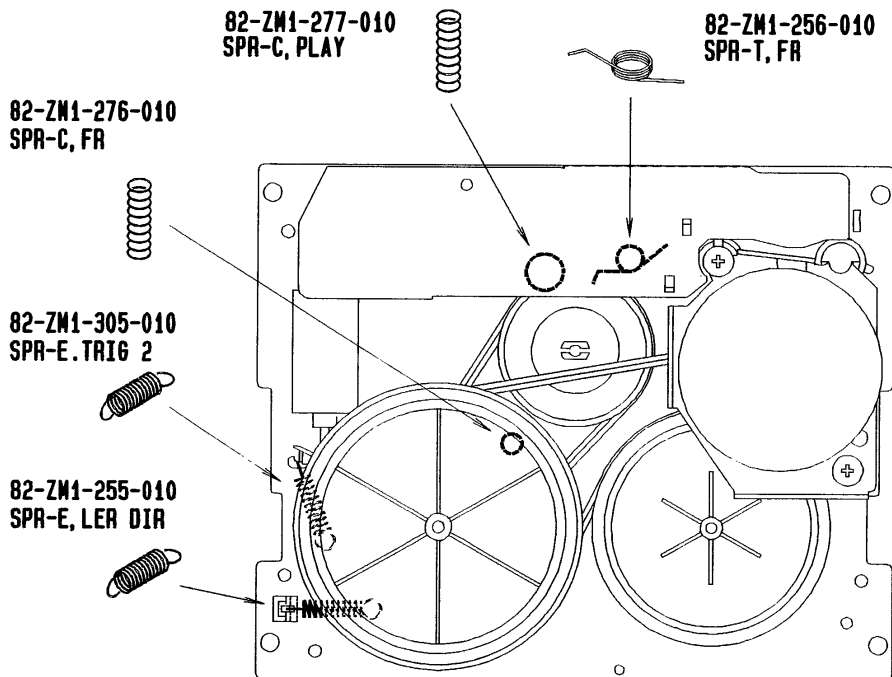
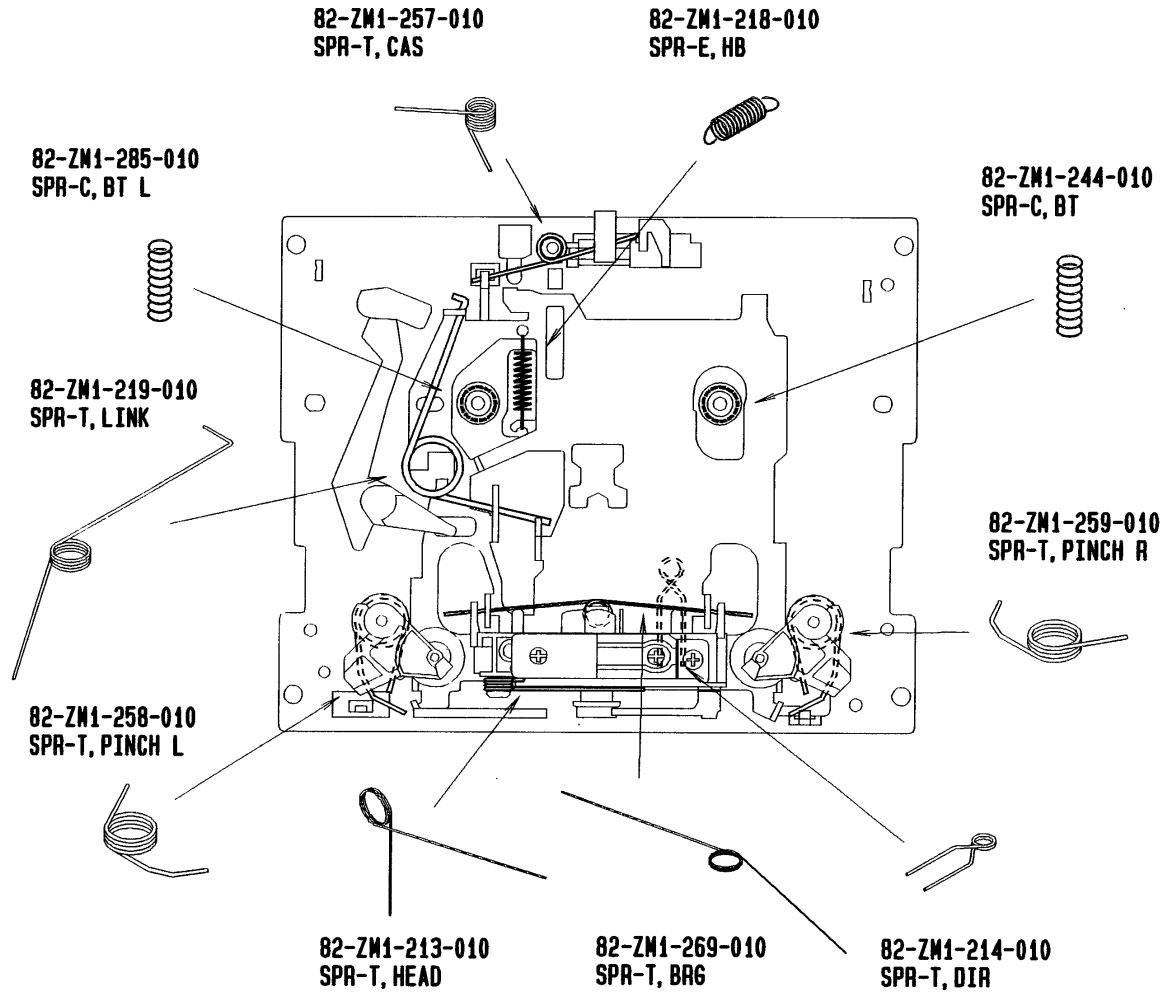


TAPE MECHANISM PARTS LIST 1 / 1

DESCRIPTIONで判断できない物は“REFERENCE NAME LIST”を参照してください。
 If can't understand for Description please kindly refer to “REFERENCE NAME LIST”.

REF.NO	PART.NO.	カンリ NO.	DESCRIPTION	REF.NO	PART.NO.	カンリ NO.	DESCRIPTION
1	82-ZM3-214-110		CHAS ASSY, P (DECK 1)	39	82-ZM1-220-210		GEAR, IDLER
1	82-ZM1-299-010		CHAS ASSY, R (DECK 2)	40	80-ZM6-217-010		RING MAGNET 2
2	82-ZM1-258-010		SPR-T, PINCH L	41	82-ZM1-216-210		GEAR, REEL
3	82-ZM1-248-110		LVR ASSY, PINCH L	42	82-ZM1-276-010		SPR-C, FR
4	82-ZM1-295-210		PLATE ASSY, LINK	43	82-ZM1-225-010		GEAR, FR
5	82-ZM1-266-010		LVR, DIR	44	82-ZM1-226-010		GEAR, REW
6	82-ZM1-214-010		SPR-T, DIR	45	82-ZM1-228-210		SLIP DISK ASSY
7	82-ZM1-206-210		CHAS, HEAD	46	82-ZM1-261-110		BELT, FR
8	87-078-014-010		SH, 5-5-0.05	47	82-ZM1-237-210		FLY-WHL ASSY, R (DECK 2)
9	82-ZM1-269-010		SPR-T, BRG	47	82-ZM3-209-110		FLY-WHL ASSY, R2 (DECK 1)
10	82-ZM1-219-010		SPR-T, LINK	48	82-ZM1-234-110		FLY-WHL ASSY, L (DECK 2)
11	82-ZM1-210-010		GEAR, H T	48	82-ZM3-207-210		FLY-WHL ASSY, L2 (DECK 1)
12	82-ZM1-213-010		SPR-T, HEAD	49	82-ZM3-206-010		BELT, R
13	82-ZM1-207-010		GUIDE, TAPE	50	82-ZM1-245-210		HLDR, IC
14	82-ZM1-283-210		S-SCREW, AZIMUTH	51	82-ZM3-201-010		HLDR, MC
15	82-ZM1-209-010		PLATE, HEAD	52	82-ZM3-202-010		PULLEY, MOT 2M
16	82-ZM1-208-010		HLDR, HEAD	53	82-ZM1-288-010		SH, 1.63-3.2-0.5 SLT
17	82-ZM1-218-010		SPR-E, HB	54	80-ZM6-243-010		SH, 1.75-3.6-0.5 SLT
18	82-ZM1-263-110		LVR, EJECT L (DECK 1)	55	80-ZM6-230-010		SH, BELT
18	82-ZM1-264-010		LVR, EJECT R (DECK 2)	56	86-575-242-010		CUSH-G, DIA3.7-9-3.2
19	82-ZM1-222-010		LVR, PLAY	57	86-575-361-010		CUSH-G, 6-8-0.8
20	82-ZM1-217-110		REEL, TABLE	58	82-ZM3-205-010		BELT, L
21	82-ZM1-244-110		SPR-C, BT	59	82-ZM3-204-010		PULLEY, COUPLER (DECK 1)
22	82-ZM1-285-110		SPR-C, BT L	60	87-045-347-010		MOT, SHU2L 70 (M1)
23	82-ZM1-257-010		SPR-T, CAS	61	87-046-355-010		HEAD, PH HADKH2529B (PH)
24	82-ZM1-241-110		LVR, MC	61	87-046-356-010		HEAD, RPH HADKH5581B (RPH)
25	82-ZM1-242-010		LVR, CAS	A	87-585-036-410		UIT+2-8
26	82-ZM1-243-010		LVR, STOP	B	80-ZM6-207-010		V+1.6-7
27	82-ZM1-253-110		LVR ASSY, PINCH R	C	82-ZM1-309-010		S-SCRW, MOTOR
28	82-ZM1-259-010		SPR-T, PINCH R	D	87-067-178-010		VTT+2.6-3
29	82-ZM1-240-110		LVR, REC (DECK 2)	E	87-067-932-010		PW, 2.15-6.8-0.5 SLT
30	82-ZM1-298-010		SPR-P, EARTH	F	87-067-972-010		PW, 1.05-3-0.25 SLT
31	82-ZM1-255-110		SPR-E, LVR DIR				
32	82-ZM1-221-110		GEAR, CAM				
33	82-ZM1-227-110		LVR, TRIG				
34	82-ZM1-224-110		LVR, FR				
35	82-ZM1-305-010		SPR-E, TRIG 2				
36	82-ZM1-277-010		SPR-C, PLAY				
37	82-ZM1-223-010		GEAR, PLAY				
38	82-ZM1-256-110		SPR-T, FR				

SPRING APPLICATION POSITION



REFERENCE NAME LIST

ELECTRICAL SECTION

DESCRIPTION	REFERENCE NAME
ANT	ANTENNAS
C-	CHIP
C-CAP	CAP, CHIP
C-CAP TN	CAP, CHIP TANTALUM
C-COIL	COIL, CHIP
C-DI	DIODE, CHIP
C-DIODE	DIODE, CHIP
C-FET	FET, CHIP
C-FOTR	FILTER, CHIP
C-JACK	JACK, CHIP
C-LED	LED, CHIP
C-RES	RES, CHIP
C-SFR	SFR, CHIP
C-SLIDE SW	SLIDE SWITCH, CHIP
C-SW	SWITCH, CHIP
C-TR	TRANSISTOR, CHIP
C-VR	VOLUME, CHIP
C-ZENER	ZENER, CHIP
CAP, CER	CAP, CERA-SOL
CAP, E	CAP, ELECT
CAP, M/F	CAP, FILM
CAP, TC	CAP, CERA-SOL
CAP, TC-U	CAP, CERA-SOL SS
CAP, TN	CAP, TANTALUM
CERA FIL	FILTER, CERAMIC
CF	FILTER, CERAMIC
DL	DELAY LINE
E/CAP	CAP, ELECT
FILT	FILTER
FLTR	FILTER
FUSE RES	RES, FUSE
MOT	MOTOR
P-DIODE	PHOTO DIODE
P-SNSR	PHOTO SENSER
P-TR	PHOTO TRANSISTOR
POLY VARI	VARIABLE CAPACITOR
PPCAP	CAP, PP
PT	POWER TRANSFORMER
PTR, RES	PTR, MELF
RC	REMOTE CONTROLLER
RES NF	RES, NON-FLAMMABLE
RESO	RESONATOR
SHLD	SHIELD
SOL	SOLENOID
SPKR	SPEAKER
SW, LVR	SWITCH, LEVER
SW, RTRY	SWITCH, ROTARY
SW, SL	SWITCH, SLIDE
TC CAP	CAP, CERA-SOL
THMS	THERMISTOR
TR	TRANSISTOR
TRIMMER	CAP, TRIMMER
TUN-CAP	VARIABLE CAPACITOR
VIB, CER	RESONATOR, CERAMIC
VIB, XTAL	RESONATOR, CRYSTAL
VR	VOLUME
ZENER	DIODE, ZENER
サージサプレッサ	SERGESUPPRESSOR
セラコン	CAP,CERA

サービス技術ニュース	
番号	連絡内容
G - -	
G - -	
G - -	

アイワ株式会社
AIWA CO.,LTD.

MECHANICAL SECTION

DESCRIPTION	REFERENCE NAME
ADHESHIVE	SHEET ADHESHIVE
AZ	AZIMUTH
BAR-ANT	BAR-ANTENNA
BAT	BATTERY
BATT	BATTERY
BRG	BEARING
BTN	BUTTON
CAB	CABINET
CASS	CASSETTE
CHAS	CHASSIS
CLR	COLLAR
CONT	CONTROL
CRSR	CURSOR
CU	CUSHION
CUSH	CUSHION
DIR	DIRECTION
DUBB	DUBBING
FL	FRONT LOADING
FLY-WHL	FLYWHEEL
FR	FRONT
FUN	FUNCTION
G-CU	G-CUSHION
HDL	HANDOL
HIMERON	CLOTH
HINGE, BAT	HINGE, BATTERY
HLDR	HOLDER
HT-SINK	HEAT SINK
IB	INSTRUCTION BOOKLET
IDLE	IDLER
IND, L-R	INDICATOR, L-R
KEY, CONT	KEY, CONTROL
KEY, PRGM	KEY, PROGRAM
KNOB, SL	KNOB, SLIDE
LBL	LABEL
LID, BATT	LID, BATTERY
LID, CASS	LID, CASSETTE
LVR	LEVER
P-SP	P-SPRING
PANEL, CONT	PANEL, CONTROL
PANEL, FR	PANEL, FRONT
PRGM	PROGRAM
PULLY, LOAD MO	PULLY, LOAD MOTOR
RBN	RIBBON
S-	SPECIAL
SEG	SEGMENT
SH	SHEET
SHLD-SH	SHIELD-SHEET
SL	SLIDE
SP	SPRING
SP-SCREW	SPECIAL-SCREW
SPACER, BAT	SPACER, BATTERY
SPR	SPRING
SPR-P	P-SPRING
SPR-PC-PUSH	P-SPRING, C-PUSH
T-SP	T-SPRING
TERM	TERMINAL
TRIG	TRIGGER
TUN	TUNING
VOL	VOLUME
W	WASHER
WHL	WHEEL
WORM-WHL	WORM-WHEEL
ジグアーム	ARM,SHAFT
ジグガイド	GUIDE,SHAFT
ストラップ	STRAP
トクナベ	S-SCREW
ヒンジ	HINGE
ヒンジビス	S-SCREW
ビスセレート	SCREW,SERRART

931261, 750038

Tokyo Japan