

aiwa



NSX-D9 NSX-T9

COMPACT DISC STEREO
CASSETTE RECEIVER

• TYPE: U(D9),LH,HR(T9)

SIMPLE MANUAL

• Replace this Service Manual with "Revision Publishing" when it is issued.

S/M Code No. 09-991-407-1T1

MANUAL
SERVICE

ELECTRICAL MAIN PARTS LIST - 1/9

NOTE: The characters in the suffix column indicate the part usage.

REF.NO	PARTS NO.	NO.	DESCRIPTION	SUFFIX
HR	XX	A
LH	XX	B
U	XX	C
		KANRI		
C	603	87-010-112-040	CAP,E 100-16	ABC
C	602	87-010-186-080	CAP,CHIP 4700P	ABC
C	601	87-010-196-080	CHIP CAPACITOR,0.1-25	ABC
C	607	87-010-197-080	CAP, CHIP 0.01 DM	ABC
C	606	87-010-320-080	CHIP CAP 68P	ABC
C	604	87-010-405-040	CAP,E 10-50	ABC
C	605	87-010-546-040	CAP,E 0.33-50	ABC
J	602	87-A60-651-010	JACK,3.5MONO	ABC
J	601	87-A60-651-010	JACK,3.5MONO	ABC
Q	604	87-A30-075-080	C-TR,2SA1235F	ABC
Q	603	87-A30-076-080	C-TR,2SC3052F	ABC
Q	602	87-A30-076-080	C-TR,2SC3052F	ABC
Q	601	87-A30-087-080	C-FET,2SK2158	ABC
C	101	87-010-387-080	CAP,E 470-25 SME	ABC
C	103	87-A11-148-080	CAP,TC U 0.1-50 Z F	ABC
C	104	87-A11-148-080	CAP,TC U 0.1-50 Z F	ABC
C	108	87-A11-148-080	CAP,TC U 0.1-50 Z F	ABC
C	105	87-A11-148-080	CAP,TC U 0.1-50 Z F	ABC
C	107	87-A11-148-080	CAP,TC U 0.1-50 Z F	ABC
C	106	87-A11-148-080	CAP,TC U 0.1-50 Z F	ABC
C	109	87-A11-148-080	CAP,TC U 0.1-50 Z F	ABC
C	116	87-010-403-080	CAP, ELECT 3.3-50V	ABC
C	111	87-010-917-090	CAP,E 3300-50 M SMG	ABC
C	112	87-010-917-090	CAP,E 3300-50 M SMG	ABC
C	113	87-A10-231-090	CAP,E 3300-80	ABC
C	114	87-A10-231-090	CAP,E 3300-80	ABC
C	110	87-A11-148-080	CAP,TC U 0.1-50 Z F	ABC
CN	1	87-A60-851-010	CONN,9P V VH	ABC
CN	103	87-099-043-010	CONN 2P EH	ABC
D	101	87-017-447-010	DIODE,GBU4DL	ABC
D	102	87-017-654-060	DIODE,GBU6J	ABC
D	105	87-020-465-080	DIODE,1SS133 (110MA)	ABC
D	107	87-020-465-080	DIODE,1SS133 (110MA)	ABC
D	108	87-020-465-080	DIODE,1SS133 (110MA)	ABC
D	103	87-020-465-080	DIODE,1SS133 (110MA)	ABC
D	104	87-020-465-080	DIODE,1SS133 (110MA)	ABC
D	106	87-020-465-080	DIODE,1SS133 (110MA)	ABC
D	109	87-020-465-080	DIODE,1SS133 (110MA)	ABC
FC	102	87-A90-505-080	FUSE CLAMP,TP00351-51	AB
FC	101	87-A90-505-080	FUSE CLAMP,TP00351-51	ABC
FC	100	87-A90-505-080	FUSE CLAMP,TP00351-51	ABC
FC	103	87-A90-505-080	FUSE CLAMP,TP00351-51	AB
PR	102	87-026-682-080	PROTECTOR,10A 60V491	AB
PR	103	87-026-682-080	PROTECTOR,10A 60V491	AB
PR	101	87-026-682-080	PROTECTOR,10A 60V491	AB
PR	104	87-026-682-080	PROTECTOR,10A 60V491	AB
PR	104	87-026-691-080	FUSE,10A 125V 251	..C
PR	101	87-026-691-080	FUSE,10A 125V 251	..C
PR	102	87-026-691-080	FUSE,10A 125V 251	..C
PR	103	87-026-691-080	FUSE,10A 125V 251	..C
PR	107	87-035-495-080	FUSE,3/4A 125V D/U/C	..C
PR	106	87-A90-195-080	PROTECTOR 7A 125V 49	AB
PR	105	87-A90-195-080	PROTECTOR 7A 125V 49	AB
PR	106	87-A90-210-080	FUSE,7A 125V 251	..C
PR	105	87-A90-210-080	FUSE,7A 125V 251	..C
PR	107	87-A90-757-080	PROTECTOR,0.75A 60V 491	AB
PR	108	87-A91-276-080	FUSE,125MA 125V F 251	..C
PT	2	8Z-NF8-661-010	PT,SUB ZNF-8(U)	..C
PT	2	8Z-NF8-663-010	PT,SUB ZNF-8(H)	AB
Q	101	87-026-245-080	TR,DTC114ES	ABC
Q	102	87-A30-198-080	TR,KTC3199GR	ABC
RY	102	87-A90-976-010	RELAY,AC12V SDT-S-112LMR	..C
RY	101	87-A91-281-010	RELAY,AC DC12V OSA-SS-212DM5	AB
SW	101	87-A90-165-010	SW,SL 1-2-3 SWS2301	AB
T	102	87-A60-317-010	TERMINAL, 1P MSC	ABC
T	101	87-A60-317-010	TERMINAL, 1P MSC	ABC
*		8Z-NF3-210-010	GUIDE,FL	ABC
*		8Z-NF3-211-010	GUIDE,LED FUN	ABC
*		8Z-NF3-212-010	GUIDE,LED OPE	ABC
C	104	87-010-313-080	CAP, CHIP 18P	ABC
C	105	87-010-322-080	C-CAP,S 100P-50 CH	ABC
C	106	87-012-145-080	CAP, CHIP S 270P CH	ABC
C	107	87-012-157-080	C-CAP,S 330P-50 CH	ABC
C	108	87-015-681-040	E/CAP 10-16	ABC
C	110	87-010-180-080	C-CER 1500P	ABC
C	118	87-010-194-080	CAP, CHIP 0.047	ABC
C	112	87-010-196-080	CHIP CAPACITOR,0.1-25	ABC
C	114	87-010-196-080	CHIP CAPACITOR,0.1-25	ABC
C	115	87-010-198-080	CAP, CHIP 0.022	ABC
C	116	87-010-493-040	CAP,E 0.47-50 GAS	ABC
C	117	87-010-498-040	CAP,E 10-16 GAS	ABC
C	113	87-A10-189-040	CAP,E 220-10	ABC
C	119	87-A10-586-040	CAP,E 47-35 7L SR	ABC
C	128	87-010-178-080	CHIP CAP 1000P	ABC

ELECTRICAL MAIN PARTS LIST - 2/9

C	129	87-010-194-080	CAP, CHIP 0.047	ABC.....
C	123	87-010-196-080	CHIP CAPACITOR, 0.1-25	ABC.....
C	125	87-010-196-080	CHIP CAPACITOR, 0.1-25	ABC.....
C	122	87-010-197-080	CAP, CHIP 0.01 DM	ABC.....
C	120	87-015-699-040	CAP, E 10-50 7L	ABC.....
C	121	87-015-699-040	CAP, E 10-50 7L	ABC.....
C	130	87-010-264-040	CAP, E 100-10 5L	ABC.....
C	150	87-010-194-080	CAP, CHIP 0.047	ABC.....
C	151	87-010-194-080	CAP, CHIP 0.047	ABC.....
C	162	87-010-182-080	C-CAP, S 2200P-50 B	ABC.....
C	161	87-010-197-080	CAP, CHIP 0.01 DM	ABC.....
C	171	87-010-196-080	CHIP CAPACITOR, 0.1-25	ABC.....
C	196	87-010-194-080	CAP, CHIP 0.047	ABC.....
C	197	87-010-194-080	CAP, CHIP 0.047	ABC.....
C	213	87-A10-189-040	CAP, E 220-10	ABC.....
C	356	87-010-196-080	CHIP CAPACITOR, 0.1-25	ABC.....
C	355	87-010-196-080	CHIP CAPACITOR, 0.1-25	ABC.....
C	352	87-010-196-080	CHIP CAPACITOR, 0.1-25	ABC.....
C	354	87-010-196-080	CHIP CAPACITOR, 0.1-25	ABC.....
C	357	87-010-196-080	CHIP CAPACITOR, 0.1-25	ABC.....
C	353	87-010-196-080	CHIP CAPACITOR, 0.1-25	ABC.....
C	351	87-012-158-080	C-CAP, S 390P-50 CH	ABC.....
C	401	87-010-196-080	CHIP CAPACITOR, 0.1-25	ABC.....
C	407	87-010-322-080	C-CAP, S 100P-50 CH	ABC.....
C	410	87-010-196-080	CHIP CAPACITOR, 0.1-25	ABC.....
C	417	87-010-322-080	C-CAP, S 100P-50 CH	ABC.....
C	502	87-010-182-080	C-CAP, S 2200P-50 B	ABC.....
C	501	87-010-197-080	CAP, CHIP 0.01 DM	ABC.....
C	531	87-010-196-080	CHIP CAPACITOR, 0.1-25	ABC.....
C	532	87-010-196-080	CHIP CAPACITOR, 0.1-25	ABC.....
C	701	87-010-981-040	CAP, E 22-35 5L SRE	ABC.....
C	904	87-010-176-080	C-CAP, S 680P-50 SL	ABC.....
C	906	87-010-176-080	C-CAP, S 680P-50 SL	ABC.....
C	902	87-010-176-080	C-CAP, S 680P-50 SL	ABC.....
C	907	87-010-176-080	C-CAP, S 680P-50 SL	ABC.....
C	909	87-010-176-080	C-CAP, S 680P-50 SL	ABC.....
C	903	87-010-176-080	C-CAP, S 680P-50 SL	ABC.....
C	905	87-010-176-080	C-CAP, S 680P-50 SL	ABC.....
C	908	87-010-176-080	C-CAP, S 680P-50 SL	ABC.....
C	901	87-012-157-080	C-CAP, S 330P-50 CH	ABC.....
C	912	87-010-176-080	C-CAP, S 680P-50 SL	ABC.....
C	911	87-010-176-080	C-CAP, S 680P-50 SL	ABC.....
C	910	87-010-176-080	C-CAP, S 680P-50 SL	ABC.....
C	913	87-010-176-080	C-CAP, S 680P-50 SL	ABC.....
CN	102	87-099-032-010	CONN, 15P 6216 H	ABC.....
CN	101	87-099-720-010	CONN, 30P TYK-B (P)	ABC.....
CN	301	87-099-202-010	CONN, 9P 6216 H	ABC.....
CN	302	87-A60-078-010	CONN, 09P H 9604S-09F	ABC.....
CN	501	87-099-201-010	CONN, 8P 6216 H	ABC.....
CN	502	87-A60-059-010	CONN, 08P V 9604S-08C	ABC.....
CN	701	87-099-750-010	CONN, 15P V 9604SC	ABC.....
D	105	87-020-465-080	DIODE, 1SS133 (110MA)	ABC.....
D	106	87-020-465-080	DIODE, 1SS133 (110MA)	ABC.....
D	102	87-020-465-080	DIODE, 1SS133 (110MA)	ABC.....
D	103	87-020-465-080	DIODE, 1SS133 (110MA)	ABC.....
D	101	87-020-465-080	DIODE, 1SS133 (110MA)	ABC.....
D	108	87-020-465-080	DIODE, 1SS133 (110MA)	ABC.....
D	104	87-020-465-080	DIODE, 1SS133 (110MA)	ABC.....
D	107	87-A40-270-080	C-DIODE, MC2838	ABC.....
D	109	87-A40-440-080	ZENER, MTZJ7.5A	ABC.....
D	114	87-020-465-080	DIODE, 1SS133 (110MA)	ABC.....
D	115	87-020-465-080	DIODE, 1SS133 (110MA)	ABC.....
D	111	87-020-465-080	DIODE, 1SS133 (110MA)	ABC.....
D	110	87-020-465-080	DIODE, 1SS133 (110MA)	ABC.....
D	113	87-020-465-080	DIODE, 1SS133 (110MA)	ABC.....
D	251	87-020-465-080	DIODE, 1SS133 (110MA)	ABC.....
D	304	87-020-465-080	DIODE, 1SS133 (110MA)	ABC.....
D	308	87-020-465-080	DIODE, 1SS133 (110MA)	ABC.....
D	302	87-020-465-080	DIODE, 1SS133 (110MA)	ABC.....
D	307	87-020-465-080	DIODE, 1SS133 (110MA)	ABC.....
D	301	87-020-465-080	DIODE, 1SS133 (110MA)	ABC.....
D	306	87-020-465-080	DIODE, 1SS133 (110MA)	ABC.....
D	305	87-020-465-080	DIODE, 1SS133 (110MA)	ABC.....
D	303	87-020-465-080	DIODE, 1SS133 (110MA)	ABC.....
D	310	87-017-932-080	ZENER, MTJ6.2B	ABC.....
D	313	87-020-465-080	DIODE, 1SS133 (110MA)	A.....
D	316	87-020-465-080	DIODE, 1SS133 (110MA)	A.....
D	318	87-020-465-080	DIODE, 1SS133 (110MA)	.BC.....
D	332	87-020-465-080	DIODE, 1SS133 (110MA)	ABC.....
D	336	87-020-465-080	DIODE, 1SS133 (110MA)	ABC.....
D	331	87-020-465-080	DIODE, 1SS133 (110MA)	ABC.....
D	337	87-020-465-080	DIODE, 1SS133 (110MA)	ABC.....
D	334	87-020-465-080	DIODE, 1SS133 (110MA)	ABC.....
D	333	87-020-465-080	DIODE, 1SS133 (110MA)	ABC.....
D	335	87-020-465-080	DIODE, 1SS133 (110MA)	ABC.....
D	338	87-020-465-080	DIODE, 1SS133 (110MA)	ABC.....
D	354	87-020-465-080	DIODE, 1SS133 (110MA)	ABC.....
D	352	87-020-465-080	DIODE, 1SS133 (110MA)	ABC.....
D	353	87-020-465-080	DIODE, 1SS133 (110MA)	ABC.....
D	351	87-020-465-080	DIODE, 1SS133 (110MA)	ABC.....
D	701	87-A40-269-080	C-DIODE, MC2836	ABC.....
FL	101	8Z-NF3-611-010	FL, BJ680GK-ZNF3	ABC.....

ELECTRICAL MAIN PARTS LIST - 3/9

IC	102	87-A20-914-010	IC,SPS-442-1-F	ABC
IC	101	8Z-NF3-605-010	C-IC,LC876580W-****	ABC
IC	380	87-A21-023-040	C-IC,BA3835F	ABC
IC	402	87-A21-021-040	C-IC,BU2099FV	ABC
IC	401	87-A21-021-040	C-IC,BU2099FV	ABC
L	101	87-A50-333-010	COIL,OSC 9.43MHZ	ABC
LED	101	87-A40-589-040	LED,SLR-56VCT31 RED	ABC
LED	315	87-A40-317-080	LED,SLR-342VCT31 RED	ABC
LED	314	87-A40-317-080	LED,SLR-342VCT31 RED	ABC
LED	313	87-A40-317-080	LED,SLR-342VCT31 RED	ABC
LED	312	87-A40-317-080	LED,SLR-342VCT31 RED	ABC
LED	311	87-A40-317-080	LED,SLR-342VCT31 RED	ABC
LED	332	87-A40-563-010	LED,SEL6515C-LF62 PGRN	ABC
LED	331	87-A40-563-010	LED,SEL6515C-LF62 PGRN	ABC
LED	333	87-A40-563-010	LED,SEL6515C-LF62 PGRN	ABC
LED	352	87-A40-563-010	LED,SEL6515C-LF62 PGRN	ABC
LED	351	87-A40-563-010	LED,SEL6515C-LF62 PGRN	ABC
LED	353	87-A40-563-010	LED,SEL6515C-LF62 PGRN	ABC
LED	424	87-070-278-010	LED,SLZ-738A-24-S	ABC
LED	426	87-070-278-010	LED,SLZ-738A-24-S	ABC
LED	423	87-070-278-010	LED,SLZ-738A-24-S	ABC
LED	421	87-070-278-010	LED,SLZ-738A-24-S	ABC
LED	425	87-070-290-010	LED,SLZ 936-30-S	ABC
LED	422	87-070-290-010	LED,SLZ 936-30-S	ABC
LED	443	87-A40-619-040	LED,SLR-56PT-T31-W GRN	ABC
LED	446	87-A40-619-040	LED,SLR-56PT-T31-W GRN	ABC
LED	441	87-A40-619-040	LED,SLR-56PT-T31-W GRN	ABC
LED	447	87-A40-619-040	LED,SLR-56PT-T31-W GRN	ABC
LED	440	87-A40-619-040	LED,SLR-56PT-T31-W GRN	ABC
LED	448	87-A40-619-040	LED,SLR-56PT-T31-W GRN	ABC
LED	445	87-A40-619-040	LED,SLR-56PT-T31-W GRN	ABC
LED	444	87-A40-619-040	LED,SLR-56PT-T31-W GRN	ABC
LED	442	87-A40-619-040	LED,SLR-56PT-T31-W GRN	ABC
LED	449	87-A40-619-040	LED,SLR-56PT-T31-W GRN	ABC
LED	453	87-A40-619-040	LED,SLR-56PT-T31-W GRN	ABC
LED	455	87-A40-619-040	LED,SLR-56PT-T31-W GRN	ABC
LED	452	87-A40-619-040	LED,SLR-56PT-T31-W GRN	ABC
LED	454	87-A40-619-040	LED,SLR-56PT-T31-W GRN	ABC
LED	451	87-A40-619-040	LED,SLR-56PT-T31-W GRN	ABC
LED	456	87-A40-619-040	LED,SLR-56PT-T31-W GRN	ABC
LED	463	87-A40-317-080	LED,SLR-342VCT31 RED	ABC
LED	464	87-A40-317-080	LED,SLR-342VCT31 RED	ABC
LED	461	87-A40-317-080	LED,SLR-342VCT31 RED	ABC
LED	462	87-A40-317-080	LED,SLR-342VCT31 RED	ABC
LED	465	87-A40-317-080	LED,SLR-342VCT31 RED	ABC
LED	521	87-A40-640-010	LED,SELU1E10CXM BLUE-EF	ABC
LED	522	87-A40-640-010	LED,SELU1E10CXM BLUE-EF	ABC
Q	104	87-026-610-080	TR,KTC3198GR	ABC
Q	108	87-A30-073-080	C-TR,RT1N 141C	ABC
Q	102	87-A30-087-080	C-FET,2SK2158	ABC
Q	101	87-A30-087-080	C-FET,2SK2158	ABC
Q	109	87-A30-087-080	C-FET,2SK2158	ABC
Q	301	87-A30-276-040	C-TR,DTA143EKA	ABC
Q	311	87-A30-075-080	C-TR,2SA1235F	ABC
Q	401	87-A30-075-080	C-TR,2SA1235F	ABC
Q	703	87-A30-159-080	C-TR,KTA1298Y	ABC
Q	702	87-A30-159-080	C-TR,KTA1298Y	ABC
Q	701	87-A30-240-080	TR,CSA1585BC	ABC
S	201	87-A90-095-080	SW,TACT EVQ11G04M	ABC
S	218	87-A90-095-080	SW,TACT EVQ11G04M	ABC
S	219	87-A90-095-080	SW,TACT EVQ11G04M	ABC
S	217	87-A90-095-080	SW,TACT EVQ11G04M	ABC
S	213	87-A90-095-080	SW,TACT EVQ11G04M	ABC
S	211	87-A90-095-080	SW,TACT EVQ11G04M	ABC
S	215	87-A90-095-080	SW,TACT EVQ11G04M	ABC
S	214	87-A90-095-080	SW,TACT EVQ11G04M	ABC
S	216	87-A90-095-080	SW,TACT EVQ11G04M	ABC
S	212	87-A90-095-080	SW,TACT EVQ11G04M	ABC
S	220	87-A90-095-080	SW,TACT EVQ11G04M	ABC
S	224	87-A90-095-080	SW,TACT EVQ11G04M	ABC
S	221	87-A90-095-080	SW,TACT EVQ11G04M	ABC
S	223	87-A90-095-080	SW,TACT EVQ11G04M	ABC
S	222	87-A90-095-080	SW,TACT EVQ11G04M	ABC
S	225	87-A90-095-080	SW,TACT EVQ11G04M	ABC
S	231	87-A90-095-080	SW,TACT EVQ11G04M	ABC
S	232	87-A90-095-080	SW,TACT EVQ11G04M	ABC
S	233	87-A90-095-080	SW,TACT EVQ11G04M	ABC
S	234	87-A90-095-080	SW,TACT EVQ11G04M	ABC
S	254	87-A90-095-080	SW,TACT EVQ11G04M	ABC
S	256	87-A90-095-080	SW,TACT EVQ11G04M	ABC
S	257	87-A90-095-080	SW,TACT EVQ11G04M	ABC
S	253	87-A90-095-080	SW,TACT EVQ11G04M	ABC
S	258	87-A90-095-080	SW,TACT EVQ11G04M	ABC
S	255	87-A90-095-080	SW,TACT EVQ11G04M	ABC
S	251	87-A90-095-080	SW,TACT EVQ11G04M	ABC
S	252	87-A90-095-080	SW,TACT EVQ11G04M	ABC
S	259	87-A90-095-080	SW,TACT EVQ11G04M	ABC
S	261	87-A90-095-080	SW,TACT EVQ11G04M	A
S	260	87-A90-095-080	SW,TACT EVQ11G04M	A
S	263	87-A90-095-080	SW,TACT EVQ11G04M	ABC
S	315	87-A90-095-080	SW,TACT EVQ11G04M	ABC
S	317	87-A90-095-080	SW,TACT EVQ11G04M	ABC

ELECTRICAL MAIN PARTS LIST - 4/9

S	311	87-A90-095-080	SW,TACT	EVQ11G04M	ABC
S	318	87-A90-095-080	SW,TACT	EVQ11G04M	ABC
S	313	87-A90-095-080	SW,TACT	EVQ11G04M	ABC
S	319	87-A90-095-080	SW,TACT	EVQ11G04M	ABC
S	310	87-A90-095-080	SW,TACT	EVQ11G04M	ABC
S	312	87-A90-095-080	SW,TACT	EVQ11G04M	ABC
S	314	87-A90-095-080	SW,TACT	EVQ11G04M	ABC
S	316	87-A90-095-080	SW,TACT	EVQ11G04M	ABC
S	320	87-A90-095-080	SW,TACT	EVQ11G04M	ABC
S	501	87-A91-111-010	SW,RTRY	EC12E12404-20MM	ABC
S	511	87-A90-095-080	SW,TACT	EVQ11G04M	ABC
S	518	87-A90-095-080	SW,TACT	EVQ11G04M	ABC
S	519	87-A90-095-080	SW,TACT	EVQ11G04M	ABC
S	513	87-A90-095-080	SW,TACT	EVQ11G04M	ABC
S	512	87-A90-095-080	SW,TACT	EVQ11G04M	ABC
S	515	87-A90-095-080	SW,TACT	EVQ11G04M	ABC
S	517	87-A90-095-080	SW,TACT	EVQ11G04M	ABC
S	516	87-A90-095-080	SW,TACT	EVQ11G04M	ABC
S	514	87-A90-095-080	SW,TACT	EVQ11G04M	ABC
S	520	87-A90-095-080	SW,TACT	EVQ11G04M	ABC
SW	101	87-A90-535-010	SW,RTRY	EC16B24304	ABC
C	806	87-010-071-040	CAP,E	1-50 M 5L SRE	ABC
C	802	87-010-176-080	C-CAP,S	680P-50 SL	ABC
C	803	87-010-187-080	CAP,CHIP	S5600P	ABC
C	807	87-010-196-080	CHIP	CAPACITOR,0.1-25	ABC
C	805	87-010-197-080	CAP,CHIP	0.01 DM	ABC
C	804	87-010-213-080	C-CAP,S	0.015-50 B	ABC
C	809	87-012-155-080	C-CAP	180P-50CH	ABC
C	801	87-012-156-080	C-CAP,S	220P-50 CH	ABC
C	812	87-010-060-040	CAP,E	100-16	ABC
C	810	87-010-561-040	CAP,E	100-16 GAS	ABC
C	811	87-015-682-040	CAP,E	22-16 7L	ABC
C	823	87-010-197-080	CAP,CHIP	0.01 DM	ABC
C	821	87-010-197-080	CAP,CHIP	0.01 DM	ABC
C	822	87-015-819-080	CAPACITOR,	0.01	ABC
C	833	87-010-322-080	C-CAP,S	100P-50 CH	ABC
D	801	87-017-931-080	ZENER,MTZJ5.	6B	ABC
IC	801	87-A21-051-040	C-IC,BU9990-	03FS	ABC
L	801	87-A50-093-010	COIL,CLOCK	5.76MHZ	ABC
C	307	87-010-196-080	CHIP	CAPACITOR,0.1-25	ABC
C	302	87-010-318-080	C-CAP,S	47P-50 CH	ABC
C	301	87-010-318-080	C-CAP,S	47P-50 CH	ABC
C	306	87-012-145-080	CAP,CHIP	S 270P CH	ABC
C	305	87-012-145-080	CAP,CHIP	S 270P CH	ABC
C	304	87-012-157-080	C-CAP,S	330P-50 CH	ABC
C	303	87-012-157-080	C-CAP,S	330P-50 CH	ABC
C	316	87-010-179-080	CAP,CHIP	S B1200P	ABC
C	315	87-010-179-080	CAP,CHIP	S B1200P	ABC
C	314	87-010-180-080	C-CER	1500P	ABC
C	313	87-010-180-080	C-CER	1500P	ABC
C	311	87-010-198-080	CAP,CHIP	0.022	ABC
C	312	87-010-198-080	CAP,CHIP	0.022	ABC
C	319	87-012-141-080	CHIP-CAPACITOR,	0.22-16F	ABC
C	318	87-012-142-080	CAP,S	0.33-16	ABC
C	317	87-012-142-080	CAP,S	0.33-16	ABC
C	324	87-010-260-080	CAP,ELECT	47-25V	ABC
C	325	87-010-370-080	CAP,E	330-6.3 SME	ABC
C	327	87-010-404-080	CAP,ELECT	4.7-50V	ABC
C	328	87-010-404-080	CAP,ELECT	4.7-50V	ABC
C	320	87-012-141-080	CHIP-CAPACITOR,	0.22-16F	ABC
C	322	87-012-142-080	CAP,S	0.33-16	ABC
C	321	87-012-142-080	CAP,S	0.33-16	ABC
C	332	87-010-196-080	CHIP	CAPACITOR,0.1-25	ABC
C	337	87-010-196-080	CHIP	CAPACITOR,0.1-25	ABC
C	339	87-010-196-080	CHIP	CAPACITOR,0.1-25	ABC
C	335	87-010-401-080	CAP,ELECT	1-50V	ABC
C	336	87-010-401-080	CAP,ELECT	1-50V	ABC
C	340	87-010-196-080	CHIP	CAPACITOR,0.1-25	ABC
C	354	87-010-175-080	CAP	560P	ABC
C	358	87-010-183-080	C-CAP,S	2700P-50 B	ABC
C	359	87-010-183-080	C-CAP,S	2700P-50 B	ABC
C	357	87-010-197-080	CAP,CHIP	0.01 DM	ABC
C	356	87-010-260-080	CAP,ELECT	47-25V	ABC
C	351	87-012-140-080	CAP	470P	ABC
C	352	87-012-140-080	CAP	470P	ABC
C	355	87-012-349-080	C-CAP,S	1000P-50 CH	ABC
C	360	87-010-183-080	C-CAP,S	2700P-50 B	ABC
C	363	87-A10-772-080	CAP,M	5600P-50 J	ABC
C	372	87-010-175-080	CAP	560P	ABC
C	371	87-010-175-080	CAP	560P	ABC
C	374	87-010-179-080	CAP,CHIP	S B1200P	ABC
C	373	87-010-179-080	CAP,CHIP	S B1200P	ABC
C	370	87-010-196-080	CHIP	CAPACITOR,0.1-25	ABC
C	378	87-010-196-080	CHIP	CAPACITOR,0.1-25	ABC
C	375	87-010-545-080	CAP,ELECT	0.22-50V	ABC
C	376	87-010-545-080	CAP,ELECT	0.22-50V	ABC
C	385	87-010-184-080	CHIP	CAPACITOR 3300P(K)	ABC
C	386	87-010-196-080	CHIP	CAPACITOR,0.1-25	ABC
C	381	87-010-197-080	CAP,CHIP	0.01 DM	ABC
C	383	87-010-197-080	CAP,CHIP	0.01 DM	ABC
C	382	87-010-318-080	C-CAP,S	47P-50 CH	ABC
C	384	87-010-402-080	CAP,ELECT	2.2-50V	ABC

ELECTRICAL MAIN PARTS LIST - 5/9

C	388	87-012-156-080	C-CAP,S 220P-50 CH	ABC.....
CN	301	87-099-827-010	CONN, 3P S2M-3W	ABC.....
CN	351	87-099-832-010	CONN, 8P S2M-8W	ABC.....
D	352	87-A40-269-080	C-DIODE, MC2836	ABC.....
IC	302	87-A20-355-010	IC, CXA1553P	ABC.....
IC	303	87-A20-783-040	C-IC, BA7762AFS	ABC.....
L	302	87-A50-049-010	COIL, TRAP 85K(COI)	ABC.....
L	301	87-A50-049-010	COIL, TRAP 85K(COI)	ABC.....
L	351	87-007-342-010	COIL, OSC 85K BIAS	ABC.....
Q	357	87-026-610-080	TR, KTC3198GR	ABC.....
Q	358	87-026-610-080	TR, KTC3198GR	ABC.....
Q	359	87-026-610-080	TR, KTC3198GR	ABC.....
Q	354	87-A30-087-080	C-FET, 2SK2158	ABC.....
Q	351	87-A30-087-080	C-FET, 2SK2158	ABC.....
Q	353	87-A30-087-080	C-FET, 2SK2158	ABC.....
Q	355	87-A30-105-080	C-TR, RT1P 441C	ABC.....
Q	381	87-A30-076-080	C-TR, 2SC3052F	ABC.....
Q	382	87-A30-076-080	C-TR, 2SC3052F	ABC.....
SFR	303	87-024-355-080	SFR, 33K DIA6 H	ABC.....
SFR	302	87-024-355-080	SFR, 33K DIA6 H	ABC.....
SFR	301	87-024-355-080	SFR, 33K DIA6 H	ABC.....
SFR	304	87-024-355-080	SFR, 33K DIA6 H	ABC.....
SFR	306	87-024-356-080	SFR, 47K DIA6 H	ABC.....
SFR	305	87-024-356-080	SFR, 47K DIA6 H	ABC.....
SFR	351	87-024-356-080	SFR, 47K DIA6 H	ABC.....
SFR	352	87-024-356-080	SFR, 47K DIA6 H	ABC.....
C	407	87-010-188-080	CAP, CHIP 6800P	ABC.....
C	408	87-010-188-080	CAP, CHIP 6800P	ABC.....
C	401	87-010-196-080	CHIP CAPACITOR, 0.1-25	ABC.....
C	402	87-010-260-080	CAP, ELECT 47-25V	ABC.....
C	404	87-010-404-080	CAP, ELECT 4.7-50V	ABC.....
C	406	87-010-404-080	CAP, ELECT 4.7-50V	ABC.....
C	405	87-010-404-080	CAP, ELECT 4.7-50V	ABC.....
C	403	87-010-404-080	CAP, ELECT 4.7-50V	ABC.....
C	409	87-012-140-080	CAP 470P	ABC.....
C	415	87-010-197-080	CAP, CHIP 0.01 DM	ABC.....
C	416	87-010-197-080	CAP, CHIP 0.01 DM	ABC.....
C	419	87-010-260-080	CAP, ELECT 47-25V	ABC.....
C	412	87-010-404-080	CAP, ELECT 4.7-50V	ABC.....
C	414	87-010-404-080	CAP, ELECT 4.7-50V	ABC.....
C	413	87-010-404-080	CAP, ELECT 4.7-50V	ABC.....
C	411	87-010-404-080	CAP, ELECT 4.7-50V	ABC.....
C	417	87-010-956-080	CHIP-CAP,S 0.068-25B	ABC.....
C	418	87-010-956-080	CHIP-CAP,S 0.068-25B	ABC.....
C	410	87-012-140-080	CAP 470P	ABC.....
D	402	87-020-465-080	DIODE, 1SS133 (110MA)	ABC.....
D	401	87-A40-269-080	C-DIODE, MC2836	ABC.....
IC	401	87-A21-022-040	C-IC, BA3880FS	ABC.....
C	507	87-010-183-080	C-CAP,S 2700P-50 B	A.....
C	509	87-010-196-080	CHIP CAPACITOR, 0.1-25	A.....
C	506	87-012-145-080	CAP, CHIP S 270P CH	A.....
C	505	87-012-145-080	CAP, CHIP S 270P CH	A.....
C	504	87-012-154-080	C-CAP,S 150P-50 CH	A.....
C	503	87-012-154-080	C-CAP,S 150P-50 CH	A.....
C	501	87-A10-060-080	C-CAP,S 0.18-16 K B	A.....
C	502	87-A10-060-080	C-CAP,S 0.18-16 K B	A.....
C	511	87-010-177-080	C-CAP,S 820P-50 SL	A.....
C	510	87-010-177-080	C-CAP,S 820P-50 SL	A.....
C	517	87-010-183-080	C-CAP,S 2700P-50 B	A.....
C	512	87-010-196-080	CHIP CAPACITOR, 0.1-25	A.....
C	514	87-010-196-080	CHIP CAPACITOR, 0.1-25	A.....
C	515	87-010-263-080	CAP, ELECT 100-10V	A.....
C	513	87-010-380-080	CAP, ELECT 47-16V	A.....
C	527	87-010-196-080	CHIP CAPACITOR, 0.1-25	A.....
C	522	87-016-460-080	C-CAP,S 0.22-16 B	A.....
C	523	87-016-460-080	C-CAP,S 0.22-16 B	A.....
C	521	87-016-460-080	C-CAP,S 0.22-16 B	A.....
CN	502	87-099-566-010	CONN, 7P TUC-P7P-B1	A.....
CN	501	87-A60-689-010	CONN, 7P H GRY TUC-P07X-C1	A.....
D	501	87-070-136-080	ZENER, MTZJ5.1B	A.....
IC	501	87-A20-561-040	C-IC, M65847AFP	A.....
R	510	88-118-563-080	C-RES,S 56K-1/10W J	A.....
C	457	87-010-196-080	CHIP CAPACITOR, 0.1-25	ABC.....
C	458	87-010-196-080	CHIP CAPACITOR, 0.1-25	ABC.....
C	454	87-010-400-080	CAP, ELECT 0.47-50V	ABC.....
C	453	87-010-400-080	CAP, ELECT 0.47-50V	ABC.....
C	452	87-010-404-080	CAP, ELECT 4.7-50V	ABC.....
C	451	87-010-404-080	CAP, ELECT 4.7-50V	ABC.....
C	461	87-010-067-080	CAP,E 0.1-50 5L	ABC.....
C	464	87-010-546-080	CAP, ELECT 0.33-50V	ABC.....
C	463	87-010-546-080	CAP, ELECT 0.33-50V	ABC.....
C	465	87-A11-006-080	CAP,M 0.033-50 J DE	ABC.....
C	466	87-A11-006-080	CAP,M 0.033-50 J DE	ABC.....
IC	451	87-A21-031-040	C-IC, BU4551BF	ABC.....
R	466	88-128-473-080	C-RES, 47K-1/8W J	ABC.....
C	6	87-012-368-080	C-CAP,S 0.1-50 F	ABC.....
C	5	87-012-368-080	C-CAP,S 0.1-50 F	ABC.....
C	3	87-012-368-080	C-CAP,S 0.1-50 F	ABC.....
C	4	87-012-368-080	C-CAP,S 0.1-50 F	ABC.....
C	1	87-012-369-080	C-CAP,S 0.047-50F	ABC.....
C	2	87-012-369-080	C-CAP,S 0.047-50F	ABC.....
C	9	87-016-658-090	CAP,E 4700-35 SMG	ABC.....

ELECTRICAL MAIN PARTS LIST - 6/9

C	10	87-016-658-090	CAP, E 4700-35 SMG	ABC.....
C	24	87-010-247-080	CAP, ELECT 100-50V	ABC.....
C	29	87-010-247-080	CAP, ELECT 100-50V	ABC.....
C	23	87-010-247-080	CAP, ELECT 100-50V	ABC.....
C	26	87-010-263-080	CAP, ELECT 100-10V	ABC.....
C	28	87-010-263-080	CAP, ELECT 100-10V	..C.....
C	22	87-010-385-080	CAP, ELECT 220-25V	ABC.....
C	21	87-010-385-080	CAP, ELECT 220-25V	ABC.....
C	25	87-010-430-080	CAP, ELECT 100-63	ABC.....
C	27	87-012-140-080	CAP 470P	ABC.....
C	30	87-010-112-080	CAP, ELECT 100-16V	ABC.....
C	31	87-010-235-080	CAP, E 470-16 SME	ABC.....
C	61	87-010-234-080	CAP 47-16	ABC.....
C	62	87-010-415-080	CAP ELE SRE 10-50V	ABC.....
C	92	87-010-263-080	CAP, ELECT 100-10V	ABC.....
C	93	87-010-380-080	CAP, ELECT 47-16V	ABC.....
C	91	87-010-401-080	CAP, ELECT 1-50V	ABC.....
CN	1	87-A60-739-010	CONN, 13P JL-BT	ABC.....
CN	91	87-A60-109-010	CONN, 2P V S2M-2W	ABC.....
CN	92	87-A60-109-010	CONN, 2P V S2M-2W	A.....
CNA	1	8Z-NF3-645-010	CONN ASSY, 9P VH	ABC.....
D	9	87-020-465-080	DIODE, 1SS133 (110MA)	ABC.....
D	8	87-020-465-080	DIODE, 1SS133 (110MA)	ABC.....
D	1	87-A40-224-010	DIODE, GBU8D	ABC.....
D	7	87-A40-503-080	ZENER, MTZJ39B	ABC.....
D	4	87-A40-553-080	DIODE, 1N4003 LES	ABC.....
D	6	87-A40-553-080	DIODE, 1N4003 LES	ABC.....
D	5	87-A40-553-080	DIODE, 1N4003 LES	ABC.....
D	3	87-A40-553-080	DIODE, 1N4003 LES	ABC.....
D	10	87-A40-345-080	ZENER, MTZJ10C	ABC.....
D	64	87-070-274-080	DIODE, 1N4003 SEM	ABC.....
D	63	87-A40-004-080	ZENER, MTZJ16A	ABC.....
D	62	87-A40-269-080	C-DIODE, MC2836	ABC.....
D	61	87-A40-270-080	C-DIODE, MC2838	ABC.....
D	91	87-020-465-080	DIODE, 1SS133 (110MA)	ABC.....
D	92	87-020-465-080	DIODE, 1SS133 (110MA)	ABC.....
Q	1	87-026-609-080	TR, KTA1266GR	ABC.....
Q	2	87-026-609-080	TR, KTA1266GR	ABC.....
Q	5	87-026-610-080	TR, KTC3198GR	ABC.....
Q	8	87-A30-075-080	C-TR, 2SA1235F	ABC.....
Q	7	87-A30-075-080	C-TR, 2SA1235F	..C.....
Q	6	87-A30-076-080	C-TR, 2SC3052F	ABC.....
Q	9	87-A30-196-080	TR, 2SC4115SRS	ABC.....
Q	66	87-A30-075-080	C-TR, 2SA1235F	ABC.....
Q	64	87-A30-075-080	C-TR, 2SA1235F	ABC.....
Q	63	87-A30-076-080	C-TR, 2SC3052F	ABC.....
Q	65	87-A30-076-080	C-TR, 2SC3052F	ABC.....
Q	67	87-A30-076-080	C-TR, 2SC3052F	ABC.....
Q	92	87-026-609-080	TR, KTA1266GR	.BC.....
Q	91	87-A30-076-080	C-TR, 2SC3052F	ABC.....
Q	92	87-A30-240-080	TR, CSA1585BC	A.....
R	20	87-A00-261-080	RES, M/F 0.56-1W J	..C.....
WH	1	87-A90-510-010	HLDR, WIRE 2.5-9P	ABC.....
C	102	87-010-182-080	C-CAP, S 2200P-50 B	ABC.....
C	101	87-010-182-080	C-CAP, S 2200P-50 B	ABC.....
C	128	87-012-368-080	C-CAP, S 0.1-50 F	ABC.....
C	126	87-012-368-080	C-CAP, S 0.1-50 F	ABC.....
C	127	87-012-368-080	C-CAP, S 0.1-50 F	ABC.....
C	125	87-012-368-080	C-CAP, S 0.1-50 F	ABC.....
C	134	87-010-498-080	CAP, E 10-16 GAS	ABC.....
J	203	87-A60-238-010	TERMINAL, SP 4P (MSC)	ABC.....
J	201	87-A60-483-010	JACK, DIA6.3 BLK ST W/S KM	ABC.....
L	101	87-003-383-010	COIL, 1UH-S	ABC.....
L	102	87-003-383-010	COIL, 1UH-S	ABC.....
Q	101	87-A30-257-080	C-TR, 2SD1306E	ABC.....
Q	102	87-A30-257-080	C-TR, 2SD1306E	ABC.....
Q	127	87-A30-075-080	C-TR, 2SA1235F	ABC.....
R	145	87-A00-443-050	RES, 390-1/2W J RP	ABC.....
R	144	87-A00-443-050	RES, 390-1/2W J RP	ABC.....
R	143	87-A00-443-050	RES, 390-1/2W J RP	ABC.....
R	146	87-A00-443-050	RES, 390-1/2W J RP	ABC.....
C	204	87-010-178-080	CHIP CAP 1000P	ABC.....
C	203	87-010-178-080	CHIP CAP 1000P	ABC.....
C	229	87-010-993-080	C-CAP, S 0.056-25 B	ABC.....
C	232	87-010-196-080	CHIP CAPACITOR, 0.1-25	ABC.....
C	231	87-010-196-080	CHIP CAPACITOR, 0.1-25	ABC.....
C	239	87-010-196-080	CHIP CAPACITOR, 0.1-25	ABC.....
C	230	87-010-993-080	C-CAP, S 0.056-25 B	ABC.....
C	236	87-016-285-080	CAP, E 47-100SME	ABC.....
C	235	87-016-285-080	CAP, E 47-100SME	ABC.....
CN	201	87-A60-739-010	CONN, 13P JL-BT	ABC.....
D	212	87-020-465-080	DIODE, 1SS133 (110MA)	ABC.....
J	206	87-A60-750-010	JACK, PIN 4P R/W BLUE	ABC.....
L	201	87-003-383-010	COIL, 1UH-S	ABC.....
L	202	87-003-383-010	COIL, 1UH-S	ABC.....
Q	202	87-A30-257-080	C-TR, 2SD1306E	ABC.....
Q	201	87-A30-257-080	C-TR, 2SD1306E	ABC.....
Q	221	87-A30-073-080	C-TR, RT1N 141C	ABC.....
RY	201	87-045-382-010	RELAY, OUAZ-SH-112L	ABC.....
C	602	87-010-183-080	C-CAP, S 2700P-50 B	ABC.....
C	601	87-010-183-080	C-CAP, S 2700P-50 B	ABC.....
C	607	87-010-318-080	C-CAP, S 47P-50 CH	ABC.....

ELECTRICAL MAIN PARTS LIST - 7/9

C	608	87-010-318-080	C-CAP,S 47P-50 CH	ABC.....
C	605	87-010-318-080	C-CAP,S 47P-50 CH	ABC.....
C	606	87-010-318-080	C-CAP,S 47P-50 CH	ABC.....
C	619	87-010-185-080	C-CAP,S 3900P-50 B	ABC.....
C	613	87-016-081-080	C-CAP,S 0.1-16 RK	ABC.....
C	614	87-016-081-080	C-CAP,S 0.1-16 RK	ABC.....
C	618	87-A11-009-080	CAP,M 0.068-50 J DE	ABC.....
C	617	87-A11-009-080	CAP,M 0.068-50 J DE	ABC.....
C	615	87-A11-011-080	CAP,M 0.12-50 J DE	ABC.....
C	616	87-A11-011-080	CAP,M 0.12-50 J DE	ABC.....
C	620	87-010-185-080	C-CAP,S 3900P-50 B	ABC.....
C	627	87-010-196-080	CHIP CAPACITOR,0.1-25	.BC.....
C	621	87-010-401-080	CAP, ELECT 1-50V	ABC.....
C	622	87-010-401-080	CAP, ELECT 1-50V	ABC.....
C	629	87-010-405-080	CAP, ELECT 10-50V	ABC.....
C	625	87-010-405-080	CAP, ELECT 10-50V	ABC.....
C	626	87-010-405-080	CAP, ELECT 10-50V	ABC.....
C	623	87-A10-773-080	CAP,M 0.10-50 J	ABC.....
C	624	87-A10-773-080	CAP,M 0.10-50 J	ABC.....
C	637	87-010-183-080	C-CAP,S 2700P-50 B	ABC.....
C	634	87-010-196-080	CHIP CAPACITOR,0.1-25	ABC.....
C	635	87-010-196-080	CHIP CAPACITOR,0.1-25	ABC.....
C	630	87-010-213-080	C-CAP,S 0.015-50 B	ABC.....
C	633	87-010-263-080	CAP, ELECT 100-10V	ABC.....
C	632	87-010-263-080	CAP, ELECT 100-10V	ABC.....
C	631	87-010-992-080	C-CAP,S 0.047-25 B	ABC.....
C	636	87-010-992-080	C-CAP,S 0.047-25 B	ABC.....
C	641	87-010-196-080	CHIP CAPACITOR,0.1-25	ABC.....
C	640	87-010-314-080	C-CAP,S 22P-50V	ABC.....
C	654	87-010-322-080	C-CAP,S 100P-50 CH	ABC.....
C	653	87-010-322-080	C-CAP,S 100P-50 CH	ABC.....
C	677	87-010-196-080	CHIP CAPACITOR,0.1-25	ABC.....
CN	604	87-099-570-010	CONN,13P TUC-P13P-B1	ABC.....
CN	601	87-099-719-010	CONN,30P TYK-B(X)	ABC.....
CN	602	87-A60-061-010	CONN,06P V 9604S-06C	ABC.....
D	601	87-A40-002-080	ZENER,MTZJ5.1C	ABC.....
D	603	87-A40-234-080	ZENER,MTZJ5.6A	ABC.....
D	602	87-A40-438-080	ZENER,MTZJ4.7A	ABC.....
IC	601	87-A21-202-040	C-IC,M62445AFP	ABC.....
J	601	87-A60-426-010	JACK,PIN 6P YKC21-3835	ABC.....
Q	604	87-026-444-080	C-TR,DTA123EK	ABC.....
Q	601	87-026-609-080	TR,KTA1266GR	ABC.....
Q	707	87-010-180-080	C-CER 1500P	ABC.....
C	702	87-010-196-080	CHIP CAPACITOR,0.1-25	ABC.....
C	706	87-010-197-080	CAP, CHIP 0.01 DM	ABC.....
C	709	87-010-213-080	C-CAP,S 0.015-50 B	ABC.....
C	708	87-010-213-080	C-CAP,S 0.015-50 B	ABC.....
C	701	87-010-263-080	CAP, ELECT 100-10V	ABC.....
C	703	87-010-319-080	C-CAP,S 56P-50 CH	ABC.....
C	704	87-010-319-080	C-CAP,S 56P-50 CH	ABC.....
C	705	87-012-393-080	C-CAP,S 0.22-16 R K	ABC.....
C	716	87-010-071-080	CAP, ELECT 1-50 M 5L SRE	ABC.....
C	715	87-010-071-080	CAP, ELECT 1-50 M 5L SRE	ABC.....
C	711	87-010-181-080	CAP,CHIP S 1800P	ABC.....
C	718	87-010-183-080	C-CAP,S 2700P-50 B	ABC.....
C	717	87-010-183-080	C-CAP,S 2700P-50 B	ABC.....
C	712	87-010-196-080	CHIP CAPACITOR,0.1-25	ABC.....
C	710	87-010-197-080	CAP, CHIP 0.01 DM	ABC.....
C	714	87-010-374-080	CAP, ELECT 47-10V	ABC.....
C	713	87-010-544-080	CAP, ELECT 0.1-50V	ABC.....
C	719	87-A11-014-080	CAP,M 0.22-50 J DE	ABC.....
C	735	87-010-178-080	CHIP CAP 1000P	ABC.....
C	736	87-010-196-080	CHIP CAPACITOR,0.1-25	ABC.....
C	732	87-010-196-080	CHIP CAPACITOR,0.1-25	ABC.....
C	731	87-010-560-080	CAP,E 10-50 GAS	ABC.....
C	733	87-010-958-080	CHIP -CAP,S 0.01-25BJ	ABC.....
C	734	87-012-156-080	C-CAP,S 220P-50 CH	ABC.....
C	741	87-010-178-080	CHIP CAP 1000P	ABC.....
D	701	87-017-931-080	ZENER,MTZJ5.6B	ABC.....
IC	701	87-A20-613-040	C-IC,BU9262AFS	ABC.....
L	701	87-005-448-080	COIL 220UH,K	ABC.....
Q	732	87-A30-075-080	C-TR,2SA1235F	ABC.....
Q	731	87-A30-076-080	C-TR,2SC3052F	ABC.....
C	902	87-010-402-080	CAP, ELECT 2.2-50V	ABC.....
C	901	87-010-402-080	CAP, ELECT 2.2-50V	ABC.....
C	904	87-010-404-080	CAP, ELECT 4.7-50V	ABC.....
C	903	87-010-404-080	CAP, ELECT 4.7-50V	ABC.....
C	905	87-010-404-080	CAP, ELECT 4.7-50V	ABC.....
C	909	87-016-460-080	C-CAP,S 0.22-16 B	ABC.....
C	908	87-016-669-080	C-CAP,S 0.1-25 K B	ABC.....
C	907	87-016-669-080	C-CAP,S 0.1-25 K B	ABC.....
C	919	87-010-183-080	C-CAP,S 2700P-50 B	ABC.....
C	916	87-010-197-080	CAP, CHIP 0.01 DM	ABC.....
C	915	87-010-197-080	CAP, CHIP 0.01 DM	ABC.....
C	917	87-010-198-080	CAP, CHIP 0.022	ABC.....
C	918	87-010-198-080	CAP, CHIP 0.022	ABC.....
C	914	87-010-956-080	CHIP-CAP,S 0.068-25B	ABC.....
C	913	87-010-956-080	CHIP-CAP,S 0.068-25B	ABC.....
C	912	87-012-365-080	C-CAP,S 0.027-25VBK	ABC.....
C	911	87-012-365-080	C-CAP,S 0.027-25VBK	ABC.....
C	910	87-016-460-080	C-CAP,S 0.22-16 B	ABC.....
C	927	87-010-112-080	CAP, ELECT 100-16V	ABC.....

ELECTRICAL MAIN PARTS LIST - 8/9

C	923	87-010-178-080	CHIP CAP 1000P	ABC.....
C	924	87-010-178-080	CHIP CAP 1000P	ABC.....
C	925	87-010-182-080	C-CAP,S 2200P-50 B	ABC.....
C	926	87-010-182-080	C-CAP,S 2200P-50 B	ABC.....
C	920	87-010-183-080	C-CAP,S 2700P-50 B	ABC.....
C	921	87-010-188-080	CAP,CHIP 6800P	ABC.....
C	922	87-010-188-080	CAP,CHIP 6800P	ABC.....
C	928	87-010-196-080	CHIP CAPACITOR,0.1-25	ABC.....
C	929	87-010-322-080	C-CAP,S 100P-50 CH	ABC.....
C	930	87-010-322-080	C-CAP,S 100P-50 CH	ABC.....
C	931	87-010-322-080	C-CAP,S 100P-50 CH	ABC.....
CN	901	87-099-568-010	CONN,11P TUC-P11P-B1	ABC.....
IC	901	87-A20-869-040	C-IC,M62449FP	ABC.....
PN	901	87-A60-546-010	CONN,11P H GRY TUC-P11X-C1	ABC.....
R	902	88-128-121-080	C-RES,S 120-1/8W J	ABC.....
C	102	87-010-544-080	CAP, ELECT 0.1-50V	ABC.....
C	101	87-010-544-080	CAP, ELECT 0.1-50V	ABC.....
C	205	87-010-186-080	CAP,CHIP 4700P	ABC.....
C	206	87-010-186-080	CAP,CHIP 4700P	ABC.....
C	209	87-010-322-080	C-CAP,S 100P-50 CH	ABC.....
C	208	87-010-404-080	CAP, ELECT 4.7-50V	ABC.....
C	207	87-010-404-080	CAP, ELECT 4.7-50V	ABC.....
C	204	87-010-544-080	CAP, ELECT 0.1-50V	ABC.....
C	203	87-010-544-080	CAP, ELECT 0.1-50V	ABC.....
C	212	87-010-260-080	CAP, ELECT 47-25V	ABC.....
C	211	87-010-260-080	CAP, ELECT 47-25V	ABC.....
C	210	87-010-322-080	C-CAP,S 100P-50 CH	ABC.....
C	219	87-012-368-080	C-CAP,S 0.1-50 F	ABC.....
C	213	87-A10-516-080	C-CAP,S 100P-200 J CH	ABC.....
C	214	87-A10-516-080	C-CAP,S 100P-200 J CH	ABC.....
C	222	87-010-186-080	CAP,CHIP 4700P	ABC.....
C	221	87-010-186-080	CAP,CHIP 4700P	ABC.....
C	220	87-012-368-080	C-CAP,S 0.1-50 F	ABC.....
C	299	87-010-197-080	CAP, CHIP 0.01 DM	ABC.....
C	306	87-010-184-080	CHIP CAPACITOR 3300P(K)	ABC.....
C	305	87-010-184-080	CHIP CAPACITOR 3300P(K)	ABC.....
C	309	87-010-322-080	C-CAP,S 100P-50 CH	ABC.....
C	308	87-010-403-080	CAP, ELECT 3.3-50V	ABC.....
C	307	87-010-403-080	CAP, ELECT 3.3-50V	ABC.....
C	303	87-010-404-080	CAP, ELECT 4.7-50V	ABC.....
C	304	87-010-404-080	CAP, ELECT 4.7-50V	ABC.....
C	313	87-010-260-080	CAP, ELECT 47-25V	ABC.....
C	314	87-010-260-080	CAP, ELECT 47-25V	ABC.....
C	310	87-010-322-080	C-CAP,S 100P-50 CH	ABC.....
C	319	87-012-368-080	C-CAP,S 0.1-50 F	ABC.....
C	311	87-A10-946-080	C-CAP,S 220P-100 J CH	ABC.....
C	312	87-A10-946-080	C-CAP,S 220P-100 J CH	ABC.....
C	322	87-010-186-080	CAP,CHIP 4700P	ABC.....
C	321	87-010-186-080	CAP,CHIP 4700P	ABC.....
C	320	87-012-368-080	C-CAP,S 0.1-50 F	ABC.....
C	502	87-012-368-080	C-CAP,S 0.1-50 F	ABC.....
C	501	87-016-299-080	CAP,E 10-100 SME	ABC.....
C	503	87-016-299-080	CAP,E 10-100 SME	ABC.....
CN	101	87-A60-727-010	CONN,13P JL-R	ABC.....
CN	102	87-A60-727-010	CONN,13P JL-R	ABC.....
D	209	87-020-465-080	DIODE,1SS133 (110MA)	ABC.....
D	206	87-020-465-080	DIODE,1SS133 (110MA)	ABC.....
D	205	87-020-465-080	DIODE,1SS133 (110MA)	ABC.....
D	202	87-020-465-080	DIODE,1SS133 (110MA)	ABC.....
D	201	87-020-465-080	DIODE,1SS133 (110MA)	ABC.....
D	208	87-A40-488-080	DIODE,1SS244	ABC.....
D	207	87-A40-488-080	DIODE,1SS244	ABC.....
D	212	87-020-331-080	CHIP-DIODE,DAN202K	ABC.....
D	210	87-020-465-080	DIODE,1SS133 (110MA)	ABC.....
D	299	87-020-465-080	DIODE,1SS133 (110MA)	ABC.....
D	297	87-020-465-080	DIODE,1SS133 (110MA)	ABC.....
D	298	87-020-465-080	DIODE,1SS133 (110MA)	ABC.....
D	295	87-020-465-080	DIODE,1SS133 (110MA)	ABC.....
D	294	87-020-465-080	DIODE,1SS133 (110MA)	ABC.....
D	296	87-020-465-080	DIODE,1SS133 (110MA)	ABC.....
D	293	87-020-465-080	DIODE,1SS133 (110MA)	ABC.....
D	301	87-020-465-080	DIODE,1SS133 (110MA)	ABC.....
D	306	87-020-465-080	DIODE,1SS133 (110MA)	ABC.....
D	305	87-020-465-080	DIODE,1SS133 (110MA)	ABC.....
D	302	87-020-465-080	DIODE,1SS133 (110MA)	ABC.....
D	309	87-A40-488-080	DIODE,1SS244	ABC.....
D	312	87-A40-270-080	C-DIODE,MC2838	ABC.....
D	310	87-A40-488-080	DIODE,1SS244	ABC.....
D	409	87-020-465-080	DIODE,1SS133 (110MA)	ABC.....
D	501	87-070-136-080	ZENER,MTZJ5.1B	ABC.....
D	509	87-A40-345-080	ZENER,MTZJ10C	ABC.....
D	503	87-A40-345-080	ZENER,MTZJ10C	ABC.....
D	502	87-A40-620-080	ZENER,MTZJ6.2A	ABC.....
D	507	87-A40-646-010	DIODE,FMB-G16L	ABC.....
D	504	87-A40-646-010	DIODE,FMB-G16L	ABC.....
D	512	87-020-465-080	DIODE,1SS133 (110MA)	ABC.....
D	513	87-020-465-080	DIODE,1SS133 (110MA)	ABC.....
D	510	87-020-465-080	DIODE,1SS133 (110MA)	ABC.....
D	511	87-020-465-080	DIODE,1SS133 (110MA)	ABC.....
D	514	87-020-465-080	DIODE,1SS133 (110MA)	ABC.....
Q	206	87-A30-076-080	C-TR,2SC3052F	ABC.....
Q	204	87-A30-076-080	C-TR,2SC3052F	ABC.....

ELECTRICAL MAIN PARTS LIST - 9/9

Q	203	87-A30-076-080	C-TR, 2SC3052F	ABC.....
Q	205	87-A30-076-080	C-TR, 2SC3052F	ABC.....
Q	209	87-A30-190-080	TR, CC5551	ABC.....
Q	201	87-A30-268-040	C-TR, 2SA1514K(S)	ABC.....
Q	207	87-A30-268-040	C-TR, 2SA1514K(S)	ABC.....
Q	208	87-A30-268-040	C-TR, 2SA1514K(S)	ABC.....
Q	202	87-A30-268-040	C-TR, 2SA1514K(S)	ABC.....
Q	210	87-A30-190-080	TR, CC5551	ABC.....
Q	225	87-A30-076-080	C-TR, 2SC3052F	ABC.....
Q	226	87-A30-076-080	C-TR, 2SC3052F	ABC.....
Q	223	87-A30-076-080	C-TR, 2SC3052F	ABC.....
Q	224	87-A30-076-080	C-TR, 2SC3052F	ABC.....
Q	221	87-A30-106-070	C-TR, CMBT5551	ABC.....
Q	222	87-A30-106-070	C-TR, CMBT5551	ABC.....
Q	298	87-A30-268-040	C-TR, 2SA1514K(S)	ABC.....
Q	301	87-A30-075-080	C-TR, 2SA1235F	ABC.....
Q	308	87-A30-075-080	C-TR, 2SA1235F	ABC.....
Q	302	87-A30-075-080	C-TR, 2SA1235F	ABC.....
Q	307	87-A30-075-080	C-TR, 2SA1235F	ABC.....
Q	303	87-A30-076-080	C-TR, 2SC3052F	ABC.....
Q	304	87-A30-076-080	C-TR, 2SC3052F	ABC.....
Q	306	87-A30-076-080	C-TR, 2SC3052F	ABC.....
Q	305	87-A30-076-080	C-TR, 2SC3052F	ABC.....
Q	317	87-A30-106-070	C-TR, CMBT5551	ABC.....
Q	318	87-A30-106-070	C-TR, CMBT5551	ABC.....
Q	311	87-A30-190-080	TR, CC5551	ABC.....
Q	312	87-A30-190-080	TR, CC5551	ABC.....
Q	324	87-A30-076-080	C-TR, 2SC3052F	ABC.....
Q	326	87-A30-076-080	C-TR, 2SC3052F	ABC.....
Q	325	87-A30-076-080	C-TR, 2SC3052F	ABC.....
Q	323	87-A30-076-080	C-TR, 2SC3052F	ABC.....
Q	503	87-A30-072-080	C-TR, RT1P 144C	ABC.....
Q	506	87-A30-074-080	C-TR, RT1P 141C	ABC.....
Q	505	87-A30-075-080	C-TR, 2SA1235F	ABC.....
Q	504	87-A30-076-080	C-TR, 2SC3052F	ABC.....
Q	502	87-A30-186-010	FET, 2SK3053	ABC.....
Q	501	87-A30-186-010	FET, 2SK3053	ABC.....
Q	507	87-A30-268-040	C-TR, 2SA1514K(S)	ABC.....
Q	601	87-A30-074-080	C-TR, RT1P 141C	ABC.....
Q	602	87-A30-268-040	C-TR, 2SA1514K(S)	ABC.....
R	207	88-118-222-080	C-RES, S 2.2K-1/10W J	ABC.....
R	227	87-A00-262-080	RES, M/F 0.15-2W J	ABC.....
R	228	87-A00-262-080	RES, M/F 0.15-2W J	ABC.....
R	225	87-A00-262-080	RES, M/F 0.15-2W J	ABC.....
R	226	87-A00-262-080	RES, M/F 0.15-2W J	ABC.....
R	239	87-A00-262-080	RES, M/F 0.15-2W J	ABC.....
R	242	87-A00-262-080	RES, M/F 0.15-2W J	ABC.....
R	328	87-A00-258-080	RES, M/F 0.22-1W J	ABC.....
R	327	87-A00-258-080	RES, M/F 0.22-1W J	ABC.....
R	325	87-A00-258-080	RES, M/F 0.22-1W J	ABC.....
R	326	87-A00-258-080	RES, M/F 0.22-1W J	ABC.....
R	339	87-A00-258-080	RES, M/F 0.22-1W J	ABC.....
R	340	87-A00-258-080	RES, M/F 0.22-1W J	ABC.....
R	349	88-118-331-080	C-RES, S 330-1/10W J	ABC.....
TH	201	87-A91-042-080	C-THMS, 100K 55001	ABC.....
TH	202	87-A91-042-080	C-THMS, 100K 55001	ABC.....
TH	301	87-A91-042-080	C-THMS, 100K 55001	ABC.....
TH	302	87-A91-042-080	C-THMS, 100K 55001	ABC.....

MECHANICAL PARTS LIST - 1/2

NOTE: The characters in the suffix column indicate the part usage.

REF.NO	PARTS NO.	NO.	DESCRIPTION	SUFFIX
HR	XX	A.....
LH	XX	B.....
U	XX	C.....
		KANRI		
88-NF3-090-010			RING, FOOT	ABC.....
8Z-NF3-001-010			CABI, FR H	AB.....
8Z-NF3-002-010			CABI, FR U	..C.....
8Z-NF3-009-010			CABI, STEEL	ABC.....
8Z-NF3-010-010			CABI, REAR USTNM	..C.....
8Z-NF3-011-010			CABI, REAR HRJSTNM	A.....
8Z-NF3-012-010			CABI, REAR LHSTNM	.B.....
8Z-NF3-013-010			CABI, REAR HASTNM
8Z-NF3-024-010			CABI, BOTTOM	ABC.....
8Z-NF3-025-010			BOX, CASS L	ABC.....
8Z-NF3-026-010			BOX, CASS R	ABC.....
8Z-NF3-029-010			PANEL, REAR	ABC.....
8Z-NF3-030-010			PANEL, FR	.B.....
8Z-NF3-031-010			PANEL, FR U	..C.....
8Z-NF3-032-010			PANEL, FR H	A.....
8Z-NF3-038-010			PANEL, CD	ABC.....
8Z-NF3-039-010			PANEL, JOG	ABC.....
8Z-NF3-040-010			PANEL ASSY, TRAY	ABC.....
8Z-NF3-042-010			COVER, TRAY L	ABC.....
8Z-NF3-043-010			COVER, TRAY R	ABC.....
8Z-NF3-046-010			COVER, CD H	AB.....
8Z-NF3-048-010			COVER, BOTTOM	ABC.....
8Z-NF3-050-010			WINDOW, DISP	ABC.....
8Z-NF3-055-010			WINDOW, CASS L	ABC.....
8Z-NF3-056-010			WINDOW, CASS R	ABC.....
8Z-NF3-060-010			KEY, GEQ	ABC.....
8Z-NF3-061-010			KEY, DSP	ABC.....
8Z-NF3-062-010			KEY, FUN	ABC.....
8Z-NF3-063-010			KEY ASSY, OPE	ABC.....
8Z-NF3-064-010			KEY, OPE	ABC.....
8Z-NF3-071-010			KEY, KARAOKE H	A.....
8Z-NF3-072-010			KEY, KARAOKE	.BC.....
8Z-NF3-073-010			KEY, BBE	ABC.....
8Z-NF3-074-010			KEY, JOG	ABC.....
8Z-NF3-075-010			KEY, TIMER	ABC.....
8Z-NF3-076-010			KEY, CLOCK	ABC.....
8Z-NF3-077-010			KEY, ENTER	ABC.....
8Z-NF3-078-010			KEY, CD	ABC.....
8Z-NF3-079-010			KEY, DIRECT	ABC.....
8Z-NF3-080-010			KEY, OPEN	ABC.....
8Z-NF3-090-010			KNOB, RTRY MAIN	ABC.....
8Z-NF3-091-010			KNOB, RTRY JOG	ABC.....
8Z-NF3-095-010			RING, MAIN	ABC.....
8Z-NF3-096-010			RING, JOG	ABC.....
8Z-NF3-100-010			REFLECTOR, PAUSE	ABC.....
8Z-NF3-101-010			REFLECTOR, FF	ABC.....
81-532-080-010			LABEL, CASS. COMPT	ABC.....
8Z-NF3-105-010			REFLECTOR, CASS	ABC.....
8Z-NF3-106-010			REFLECTOR, FUN	ABC.....
8Z-NF3-107-010			REFLECTOR, JOG	ABC.....
8Z-NF3-108-010			REFLECTOR, ECO	ABC.....
8Z-NF3-644-010			CONN ASSY, 8P RPB	ABC.....
84-ZG1-245-210			CAP, OPTICAL	ABC.....
82-NF5-218-010			SPR-T, EJECT 1 (SIN)	ABC.....
82-NF5-219-010			SPR-T, EJECT 2 (SIN)	ABC.....
82-NF5-229-010			PLATE, LOCK	ABC.....
86-NF9-224-010			SPR-C, LOCK	ABC.....
87-064-185-010			HLDR, WIRE	ABC.....
87-NF4-216-010			HLDR, LOCK 1	ABC.....
87-NF4-217-010			HLDR, LOCK 2	ABC.....
87-NF4-221-010			HLDR, CABLE	ABC.....
87-NF8-220-010			DMPR, 150	ABC.....
88-NF5-208-010			HLDR, PWB-M N	ABC.....
8Z-NF3-224-010			HLDR, HT-SINK 1	ABC.....
8Z-NF3-225-010			HLDR, FAN	.BC.....
8Z-NF3-227-010			HLDR, PWB PT	ABC.....
8Z-NF3-228-010			HLDR, HT-SINK R	ABC.....
8Z-NF3-229-010			HLDR, FAN 4CH	A.....
8Z-NF3-213-010			GUIDE, LED DIRECT	ABC.....
87-067-584-010			TAPPING SCREW, BVT2+3-6	ABC.....
87-067-641-010			UTT2+3-8 (W/O SLOT) BL	ABC.....
87-067-680-010			BVI T3+3-10	ABC.....
87-067-688-010			BVTT+3-6	ABC.....
87-067-703-010			TAPPING SCREW, BVT2+3-10	ABC.....
87-067-873-010			BVT2+3-25 W/O SLOT	ABC.....
87-067-975-010			S-SCREW, IT+4-8	ABC.....
87-591-095-410			TAPPING SCREW, QIT+3-8 (GLD)	ABC.....
87-721-097-410			QT2+3-12 GLD	ABC.....
87-NF4-224-010			S-SCREW, IT3B+3-8 CU	ABC.....
87-085-185-010			BUSHING, AC CORD (E)	AB.....
87-085-189-010			BUSHING, CORD (U)	..C.....
87-A80-105-010			AC CORD ASSY, AZ
87-A80-110-010			AC CORD ASSY, U SPT-2W	..C.....
87-A90-562-010			F-BEAD, 9.5-17.5-28.5 BRH	ABC.....

*

MECHANICAL PARTS LIST - 2/2

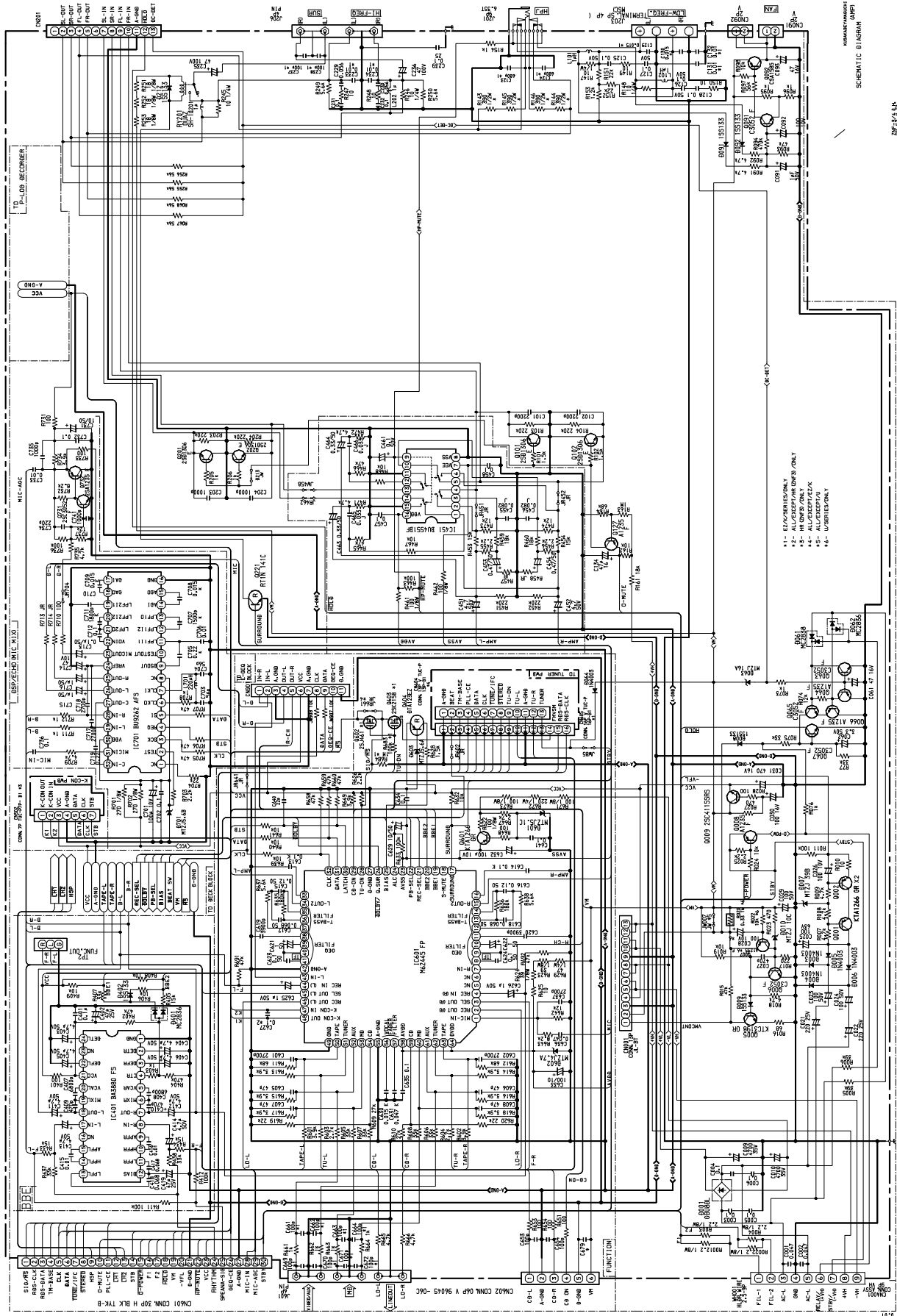
		87-A91-080-010	FAN, F614R-12MC-19-400MM	ABC.....
		88-906-481-110	FF-CABLE, 6P 1.25 480MM	ABC.....
		88-908-181-110	FF-CABLE, 8P 1.25 180MM	ABC.....
		88-909-381-110	FF-CABLE, 9P 1.25	ABC.....
		88-915-161-110	FF-CABLE, 15P 1.25	ABC.....
		8Z-NF3-646-010	CABLE, FFC 15P-CD	ABC.....
D	701	87-A40-392-010	DIODE, 1N5818	ABC.....
D	702	87-A40-392-010	DIODE, 1N5818	ABC.....
F	101	87-035-458-010	FUSE, 4A 250V T W/C	AB.....
F	102	87-035-458-010	FUSE, 4A 250V T W/C	AB.....
F	101	87-035-493-010	FUSE, 8A 125V	..C.....
PT	1	8Z-NF3-601-010	PT, U ZNF-3	..C.....
PT	1	8Z-NF3-602-010	PT, LH ZNF-3	.B.....
PT	1	8Z-NF3-603-010	PT, HE ZNF-3	A.....
Q	102	89-213-702-010	TR, 2SB1370 (1.8W)	ABC.....
Q	101	89-213-702-010	TR, 2SB1370 (1.8W)	ABC.....
Q	217	87-A30-204-010	TR, 2SD2439	ABC.....
Q	218	87-A30-204-010	TR, 2SD2439	ABC.....
Q	215	87-A30-205-010	TR, 2SB1588	ABC.....
Q	216	87-A30-205-010	TR, 2SB1588	ABC.....
Q	313	87-A30-214-010	TR, 2SB1344	ABC.....
Q	314	87-A30-214-010	TR, 2SB1344	ABC.....
Q	315	87-A30-215-010	TR, 2SD2025	ABC.....
Q	316	87-A30-215-010	TR, 2SD2025	ABC.....
W	101	87-A80-092-010	AC CORD ASSY, E BLK SUN FAI	AB.....
WH	1	87-A90-510-010	HLDR, WIRE 2.5-9P	ABC.....

ACCESSORIES / PACKAGE LIST - 1/1

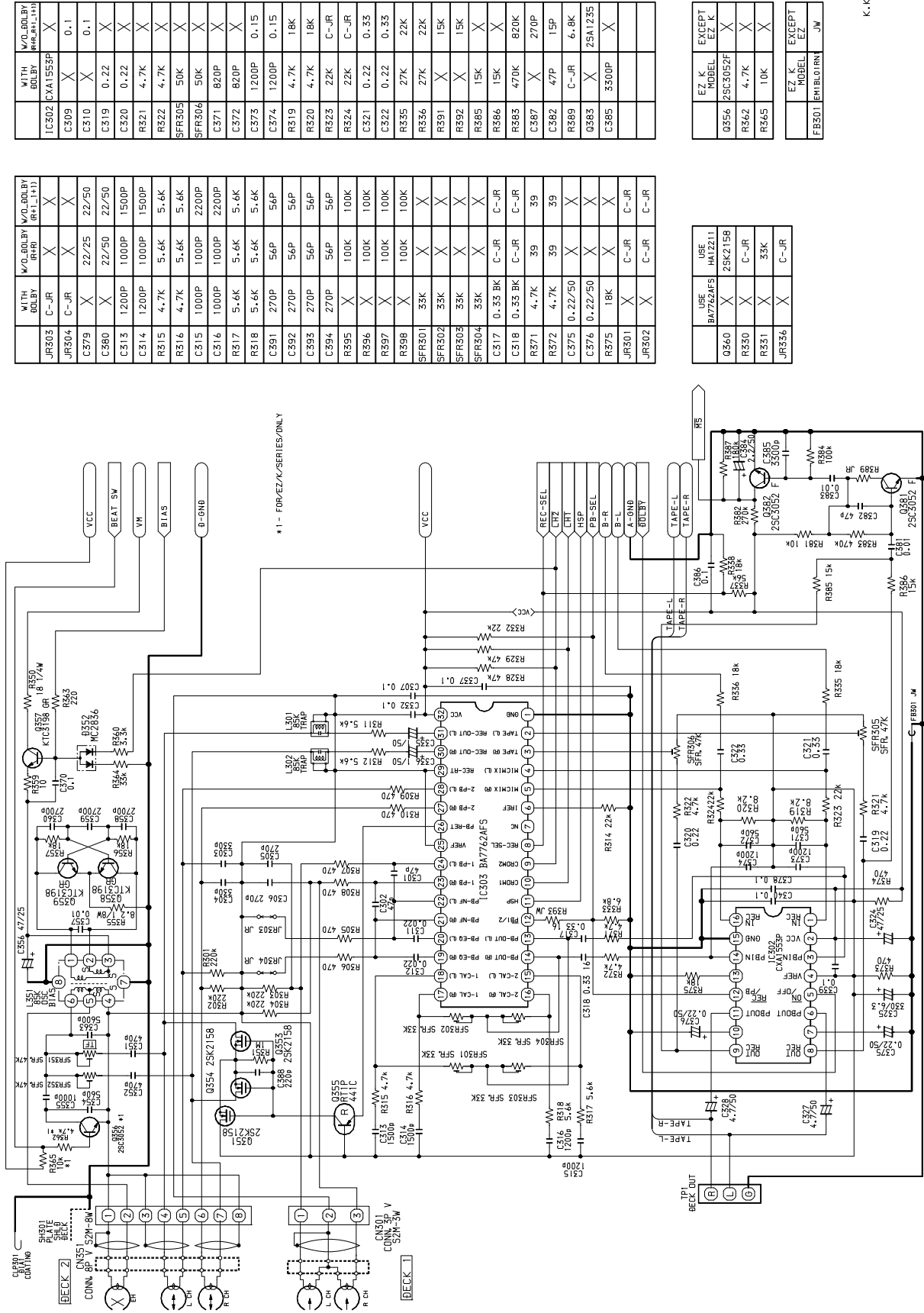
NOTE: The characters in the suffix column indicate the part usage.

REF.NO	PARTS NO.	NO.	DESCRIPTION	SUFFIX
HR		XX		A
LH		XX		B
U		XX		C
		KANRI		
	8Z-NF3-901-010		IB,U (ESF)M	.C
	8Z-NF3-902-010		IB,H (ECA)M	A
	8Z-NF3-903-010		IB,LH (ESP)M	.B
	87-006-225-010		AM LOOP ANT NC2	.BC
	87-006-269-010		AM LOOP ANT (UN)	A
	87-043-095-010		WIRE ANTENNA	A
	87-043-115-010		ANT, FEEDER FM	ABC
	87-099-789-010		PLUG,ADPTR IR44	AB
	8Z-NF5-702-010		RC UNIT,RC-ZAS04	ABC

SCHEMATIC DIAGRAM - 1 (MAIN 1/3)



SCHEMATIC DIAGRAM - 2 (MAIN 2/3)



WITH B0LBY	W/O B0LBY (RHD)	W/O B0LBY (H1-1+1)
JR303	C-JR	X
JR304	C-JR	X
C309	X	0.1
C310	X	0.1
C319	0.22	X
C320	0.22	X
R321	4.7K	X
R322	4.7K	X
SFR305	50K	X
SFR306	50K	X
C371	820P	X
C372	820P	X
C373	1200P	0.15
C374	1200P	0.15
R319	4.7K	18K
R320	4.7K	18K
R323	22K	C-JR
R324	22K	C-JR
C321	0.22	0.33
C322	0.22	0.33
R335	27K	22K
R336	27K	22K
R391	X	15K
R392	X	15K
R385	15K	X
R386	15K	X
R383	470K	820K
C387	X	270P
C382	47P	15P
R389	C-JR	6.8K
Q383	X	25A1235
C395	3300P	X

WITH B0LBY	W/O B0LBY (RHD)	W/O B0LBY (H1-1+1)
JR303	C-JR	X
JR304	C-JR	X
C379	X	22/25
C380	X	22/50
C313	1200P	1500P
C314	1200P	1500P
R315	4.7K	5.6K
R316	4.7K	5.6K
C315	1000P	1000P
R317	5.6K	5.6K
R318	5.6K	5.6K
C391	270P	56P
C392	270P	56P
C393	270P	56P
C394	270P	56P
R395	X	100K
R396	X	100K
R398	X	100K
R399	X	100K
SFR301	33K	X
SFR302	33K	X
SFR303	33K	X
SFR304	33K	X
C317	0.33 BK	C-JR
C318	0.33 BK	C-JR
R371	4.7K	39
R372	4.7K	39
C375	0.22/50	X
C376	0.22/50	X
R375	18K	X
JR301	X	C-JR
JR302	X	C-JR

EZ K MODEL	EXCEPT EZ K
Q356	25C3052F
R362	4.7K
R365	10K

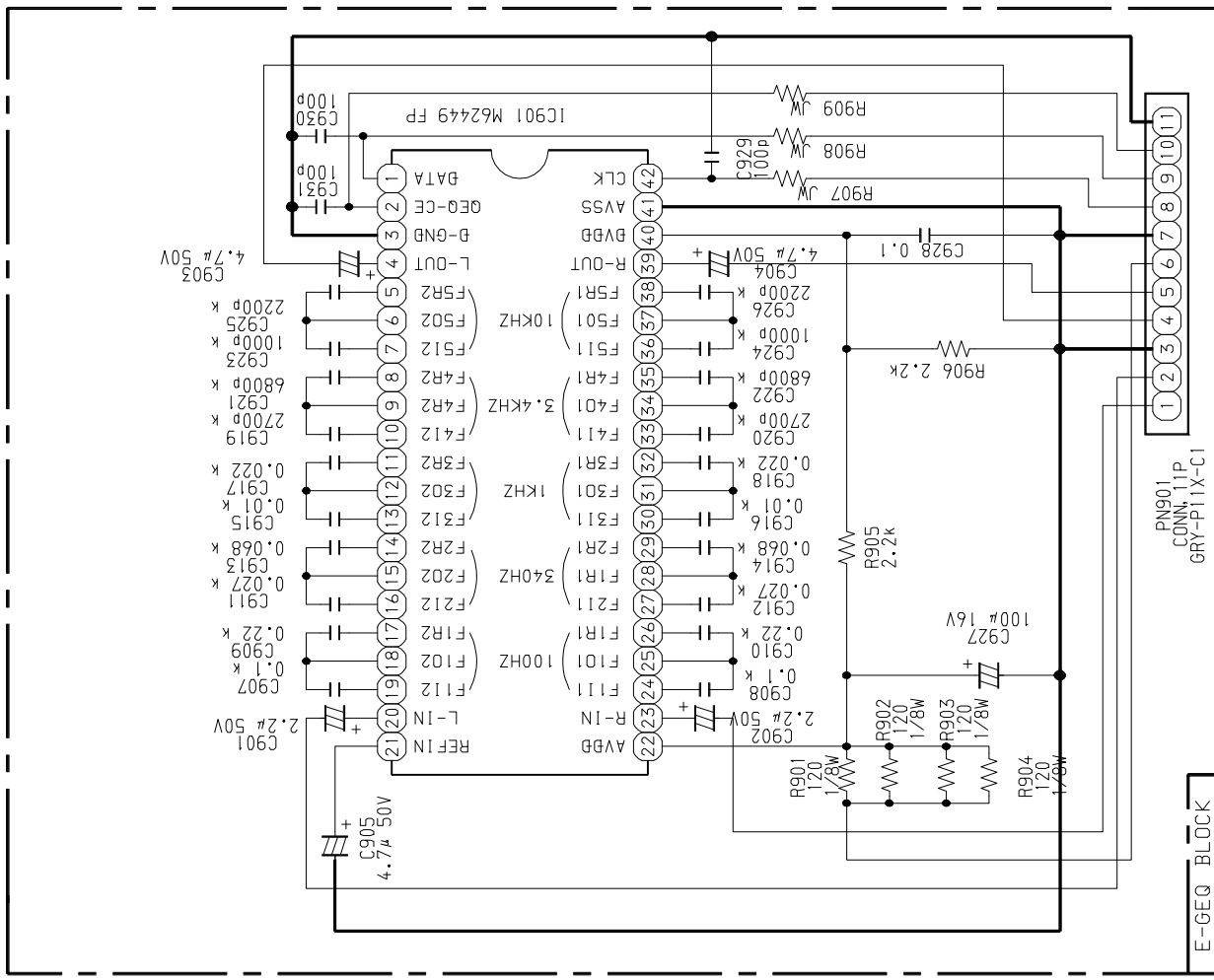
USE BA776AFS	USE HA12211
Q360	X
R330	X
R351	X
JR354	X

USE BA776AFS	USE HA12211
Q360	X
R330	X
R351	X
JR354	X

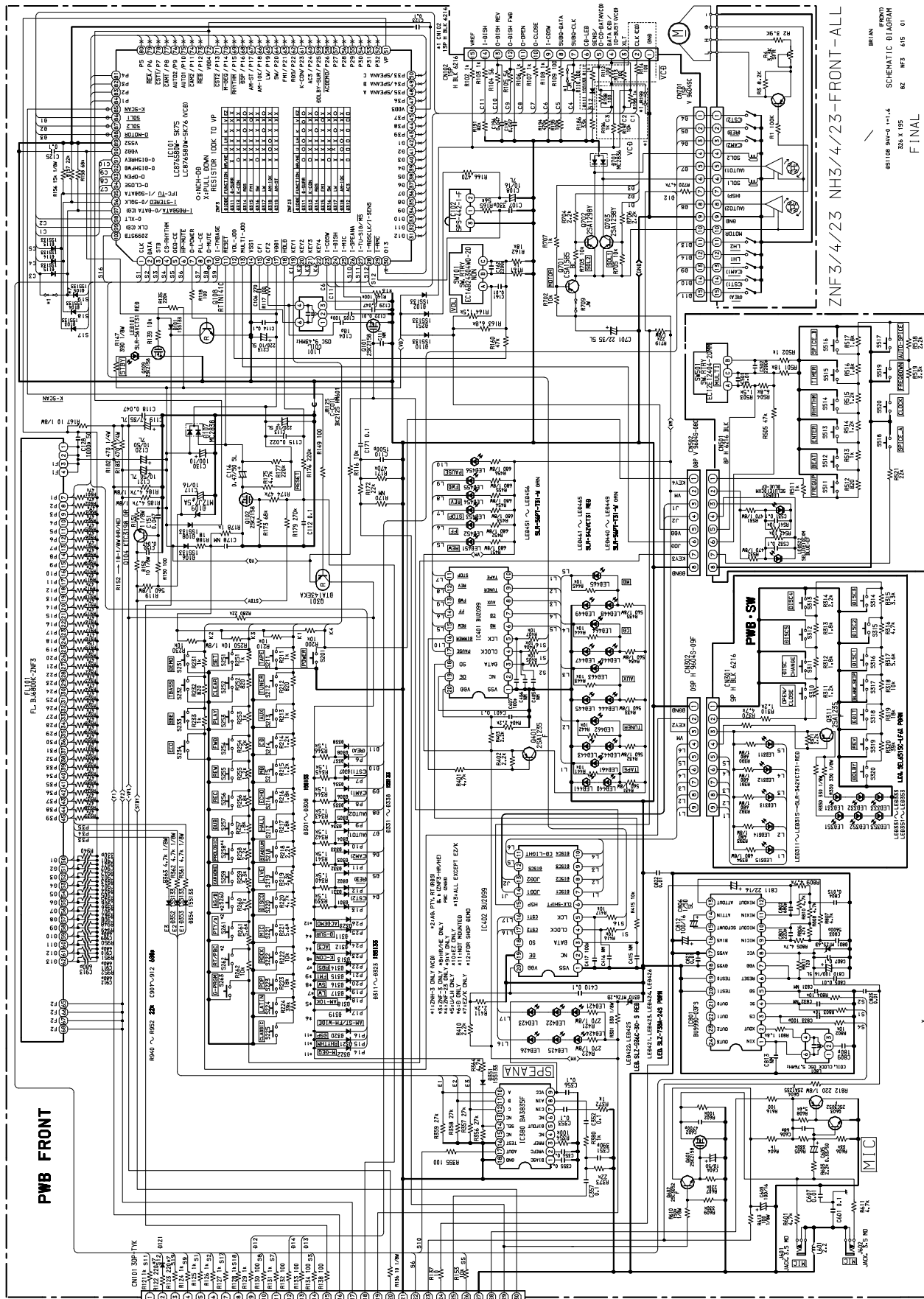
K. KOMATSU

12 JAN 1999

SCHEMATIC DIAGRAM - 3 (MAIN 3/3)

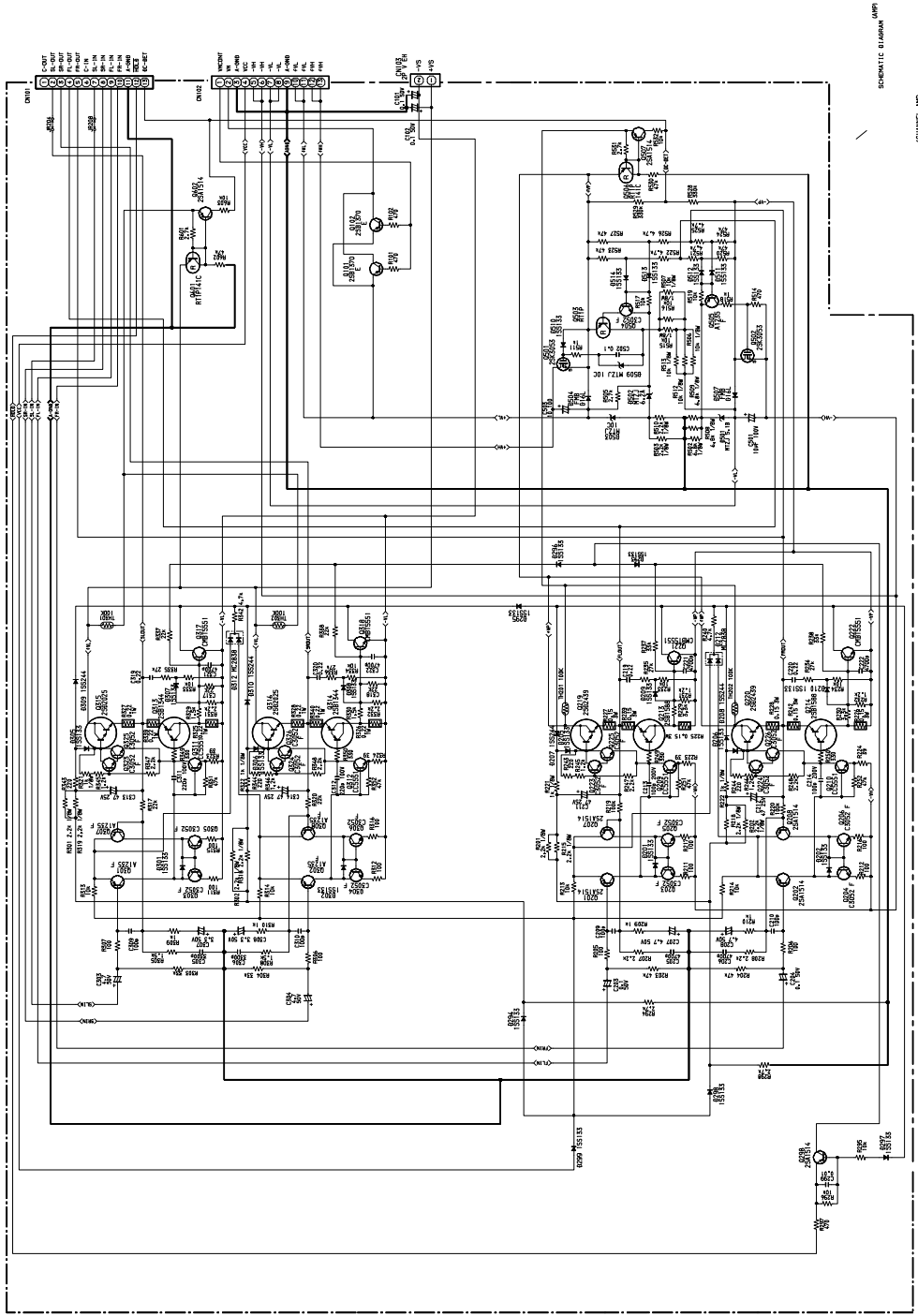


SCHEMATIC DIAGRAM - 4 (FRONT)



BRUN
 691108 94-C 1-1-4 SCHEMATIC DIAGRAM
 824 X 195 82 WFS 415 01
 FINAL
 ZNF 3/4/23 NH3/23
 11 01 1999
 B-SWF-3FR-FRONT.P1

SCHEMATIC DIAGRAM - 5 (PRO)



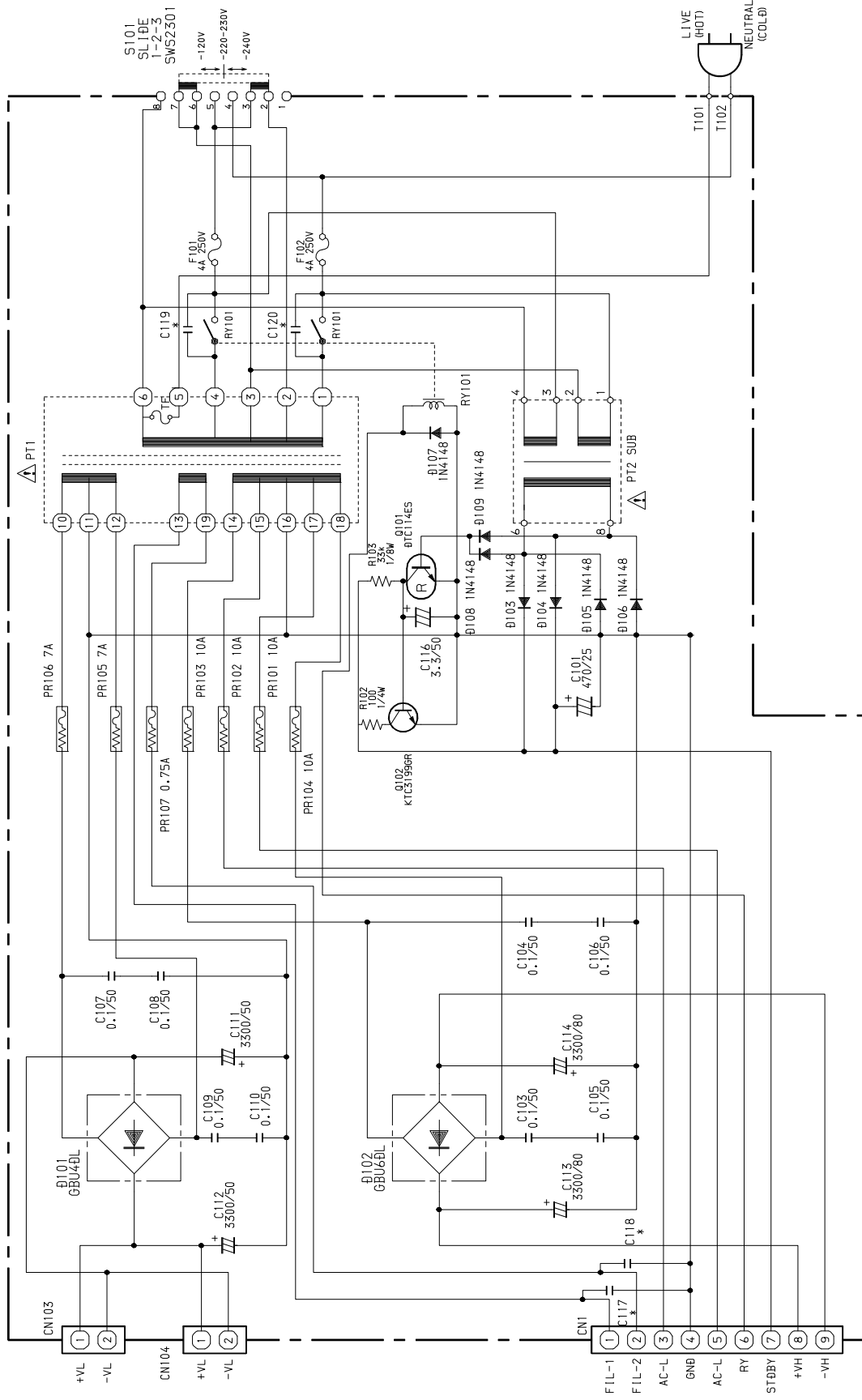
SCHEMATIC 5 (AMP)

CHANNEL AMP

98 DEC 1958

9-297-3 (PRO) REV. 41

SCHEMATIC DIAGRAM - 6 (AC: LH,HR)

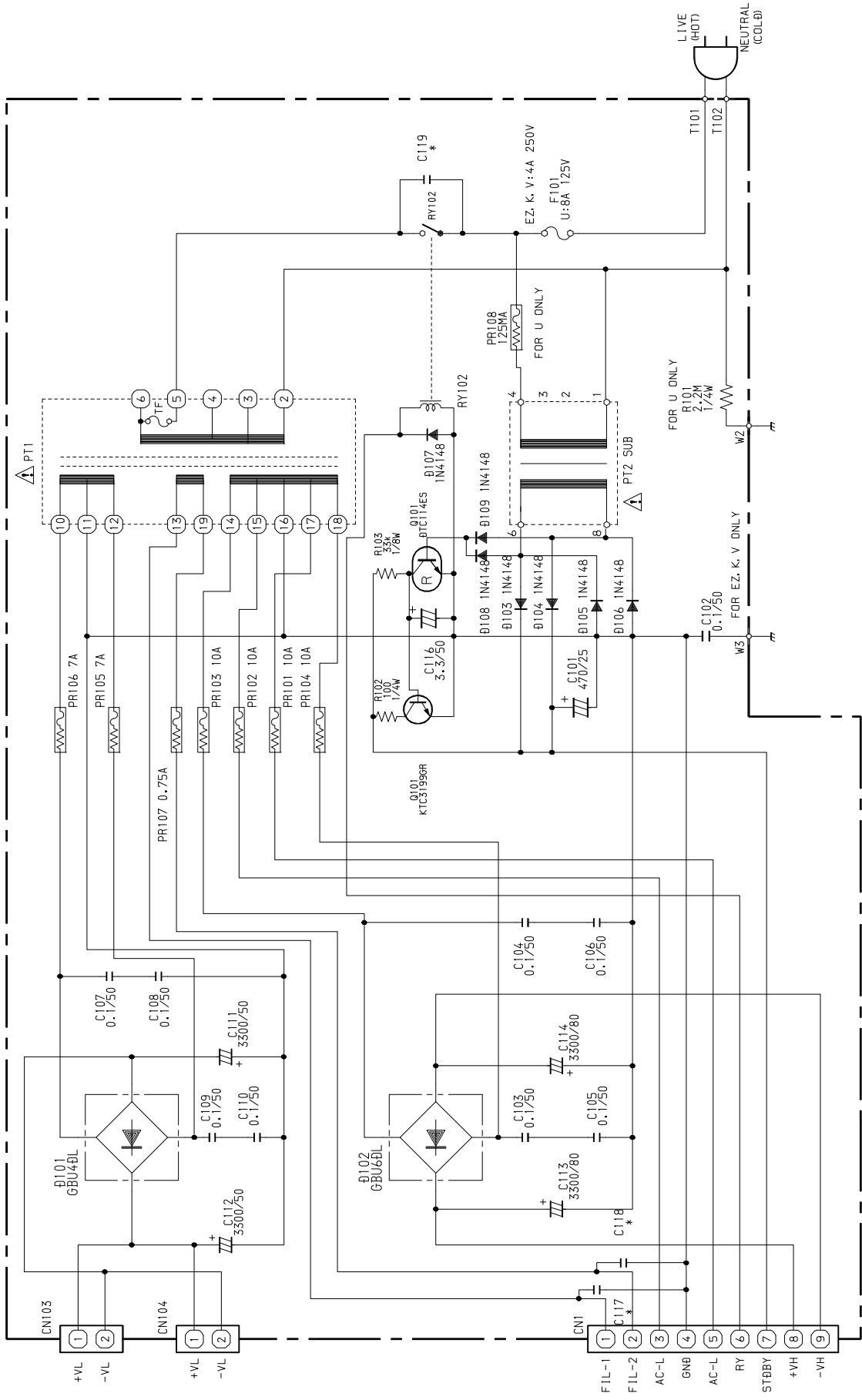


SCHEMATIC - PT

ZNF-3/4/25 (HR, LH)

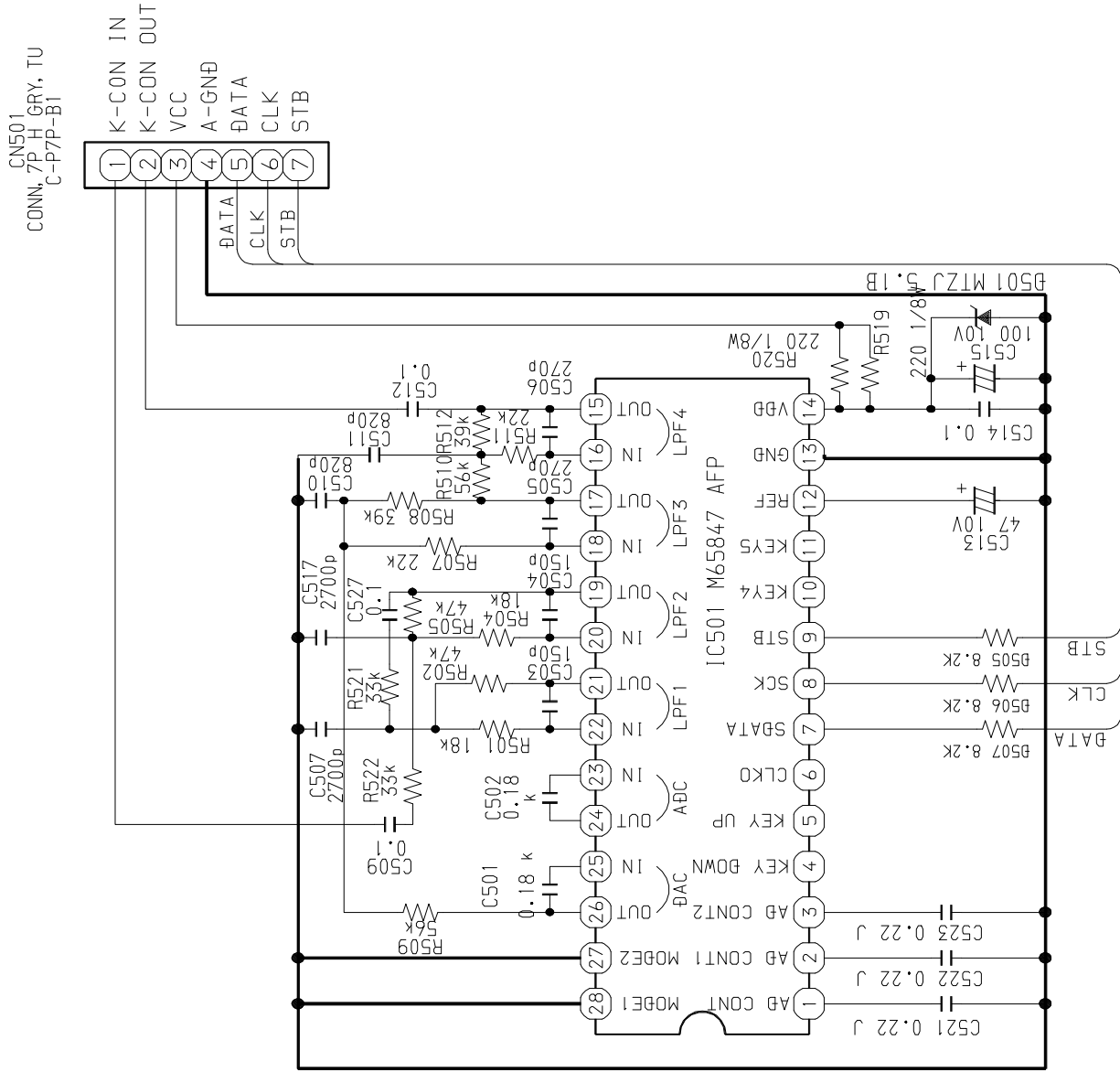
12.01.1999

SCHEMATIC DIAGRAM - 7 (AC: U)



SCHEMATIC -PT

SCHEMATIC DIAGRAM - 8 (KEYCON: HR)





サービス技術ニュース	
番号	連絡内容
G- -	
G- -	
G- -	

アイワ株式会社
AIWA CO.,LTD.

9620450

Tokyo Japan