

# aiwa



## NSX-DS15

---

COMPACT DISC STEREO  
CASSETTE RECEIVER

---

• TYPE: U

**SIMPLE MANUAL**

• Replace this Service Manual with "Revision Publishing" when it is issued.

S/M Code No. 09-995-413-4T1

MANUAL  
SERVICE

# ELECTRICAL MAIN PARTS LIST - 1/11

NOTE: The characters in the suffix column indicate the part usage.

REF.NO	PARTS NO.	DESCRIPTION	SUFFIX
USTM	.....	XX.....	A.....
		KANRI	
		NO.	
C	603	87-010-112-040	CAP,E 100-16
C	602	87-010-186-080	CAP,CHIP 4700P
C	601	87-010-196-080	CHIP CAPACITOR,0.1-25
C	607	87-010-197-080	CAP, CHIP 0.01 DM
C	606	87-010-320-080	CHIP CAP 68P
C	604	87-010-405-040	CAP,E 10-50
C	605	87-010-546-040	CAP,E 0.33-50
J	601	87-A60-651-010	JACK,3.5MONO
J	602	87-A60-651-010	JACK,3.5MONO
Q	604	87-A30-075-080	C-TR,2SA1235F
Q	603	87-A30-076-080	C-TR,2SC3052F
Q	602	87-A30-076-080	C-TR,2SC3052F
Q	601	87-A30-087-080	C-FET,2SK2158
C	101	87-010-387-080	CAP,E 470-25 SME
C	108	87-A11-148-080	CAP,TC U 0.1-50 Z F
C	105	87-A11-148-080	CAP,TC U 0.1-50 Z F
C	107	87-A11-148-080	CAP,TC U 0.1-50 Z F
C	104	87-A11-148-080	CAP,TC U 0.1-50 Z F
C	103	87-A11-148-080	CAP,TC U 0.1-50 Z F
C	109	87-A11-148-080	CAP,TC U 0.1-50 Z F
C	106	87-A11-148-080	CAP,TC U 0.1-50 Z F
C	116	87-010-403-040	CAP,E 3.3-50 SME
C	112	87-010-917-090	CAP,E 3300-50 M SMG
C	111	87-010-917-090	CAP,E 3300-50 M SMG
C	113	87-A10-231-090	CAP,E 3300-80
C	114	87-A10-231-090	CAP,E 3300-80
C	110	87-A11-148-080	CAP,TC U 0.1-50 Z F
CN	1	87-A60-851-010	CONN,9P V VH
CN	103	87-099-043-010	CONN 2P EH
D	101	87-017-447-010	DIODE,GBU4DL
D	102	87-017-654-060	DIODE,GBU6J
D	104	87-020-465-080	DIODE,1SS133 (110MA)
D	107	87-020-465-080	DIODE,1SS133 (110MA)
D	106	87-020-465-080	DIODE,1SS133 (110MA)
D	103	87-020-465-080	DIODE,1SS133 (110MA)
D	108	87-020-465-080	DIODE,1SS133 (110MA)
D	105	87-020-465-080	DIODE,1SS133 (110MA)
D	109	87-020-465-080	DIODE,1SS133 (110MA)
FC	100	87-033-213-080	CLAMP, FUSE
FC	101	87-033-213-080	CLAMP, FUSE
PR	104	87-026-691-080	FUSE,10A 125V 251
PR	103	87-026-691-080	FUSE,10A 125V 251
PR	102	87-026-691-080	FUSE,10A 125V 251
PR	101	87-026-691-080	FUSE,10A 125V 251
PR	107	87-035-495-080	FUSE,3/4A 125V D/U/C
PR	106	87-A90-210-080	FUSE,7A 125V 251
PR	105	87-A90-210-080	FUSE,7A 125V 251
PR	108	87-A91-276-080	FUSE,125MA 125V F 251
PT	2	8Z-NF8-661-010	PT,SUB ZNF-8(U)
Q	101	87-026-245-080	TR,DTC114ES
Q	102	87-A30-198-080	TR,KTC3199GR
RY	101	87-A90-143-010	RELAY,DG12D-OS(M)
RY	102	87-A90-976-010	RELAY,AC12V SDT-S-112LMR
T	101	87-A60-317-010	TERMINAL, 1P MSC
T	102	87-A60-317-010	TERMINAL, 1P MSC
C	104	87-010-313-080	CAP, CHIP 18P
C	105	87-010-322-080	C-CAP,S 100P-50 CH
C	106	87-012-145-080	CAP, CHIP S 270P CH
C	107	87-012-157-080	C-CAP,S 330P-50 CH
C	108	87-015-681-040	E/CAP 10-16
C	110	87-010-180-080	C-CER 1500P
C	118	87-010-194-080	CAP, CHIP 0.047
C	112	87-010-196-080	CHIP CAPACITOR,0.1-25
C	114	87-010-196-080	CHIP CAPACITOR,0.1-25
C	115	87-010-198-080	CAP, CHIP 0.022
C	116	87-010-493-040	CAP,E 0.47-50 GAS
C	117	87-010-498-040	CAP,E 10-16 GAS
C	113	87-A10-189-040	CAP,E 220-10
C	119	87-A10-797-040	CAP,E 47-35 M 5L SRM
C	128	87-010-178-080	CHIP CAP 1000P
C	129	87-010-194-080	CAP, CHIP 0.047
C	123	87-010-196-080	CHIP CAPACITOR,0.1-25
C	125	87-010-196-080	CHIP CAPACITOR,0.1-25
C	122	87-010-197-080	CAP, CHIP 0.01 DM
C	120	87-015-699-040	CAP,E 10-50 7L
C	121	87-015-699-040	CAP,E 10-50 7L
C	130	87-010-264-040	CAP,E 100-10 5L
C	150	87-010-194-080	CAP, CHIP 0.047
C	151	87-010-194-080	CAP, CHIP 0.047
C	162	87-010-182-080	C-CAP,S 2200P-50 B
C	161	87-010-197-080	CAP, CHIP 0.01 DM
C	171	87-010-196-080	CHIP CAPACITOR,0.1-25
C	196	87-010-194-080	CAP, CHIP 0.047
C	197	87-010-194-080	CAP, CHIP 0.047
C	213	87-A10-189-040	CAP,E 220-10
C	357	87-010-196-080	CHIP CAPACITOR,0.1-25

# ELECTRICAL MAIN PARTS LIST - 2/11

C	353	87-010-196-080	CHIP CAPACITOR,0.1-25	A.....
C	352	87-010-196-080	CHIP CAPACITOR,0.1-25	A.....
C	356	87-010-196-080	CHIP CAPACITOR,0.1-25	A.....
C	354	87-010-196-080	CHIP CAPACITOR,0.1-25	A.....
C	355	87-010-196-080	CHIP CAPACITOR,0.1-25	A.....
C	351	87-012-158-080	C-CAP,S 390P-50 CH	A.....
C	401	87-010-196-080	CHIP CAPACITOR,0.1-25	A.....
C	407	87-010-322-080	C-CAP,S 100P-50 CH	A.....
C	410	87-010-196-080	CHIP CAPACITOR,0.1-25	A.....
C	417	87-010-322-080	C-CAP,S 100P-50 CH	A.....
C	461	87-010-196-080	CHIP CAPACITOR,0.1-25	A.....
C	502	87-010-182-080	C-CAP,S 2200P-50 B	A.....
C	501	87-010-197-080	CAP,CHIP 0.01 DM	A.....
C	531	87-010-196-080	CHIP CAPACITOR,0.1-25	A.....
C	532	87-010-196-080	CHIP CAPACITOR,0.1-25	A.....
C	701	87-010-981-040	CAP,E 22-35 5L SRE	A.....
C	906	87-010-176-080	C-CAP,S 680P-50 SL	A.....
C	908	87-010-176-080	C-CAP,S 680P-50 SL	A.....
C	904	87-010-176-080	C-CAP,S 680P-50 SL	A.....
C	907	87-010-176-080	C-CAP,S 680P-50 SL	A.....
C	903	87-010-176-080	C-CAP,S 680P-50 SL	A.....
C	902	87-010-176-080	C-CAP,S 680P-50 SL	A.....
C	909	87-010-176-080	C-CAP,S 680P-50 SL	A.....
C	905	87-010-176-080	C-CAP,S 680P-50 SL	A.....
C	901	87-012-157-080	C-CAP,S 330P-50 CH	A.....
C	912	87-010-176-080	C-CAP,S 680P-50 SL	A.....
C	910	87-010-176-080	C-CAP,S 680P-50 SL	A.....
C	911	87-010-176-080	C-CAP,S 680P-50 SL	A.....
C	913	87-010-176-080	C-CAP,S 680P-50 SL	A.....
C	970	87-010-318-080	C-CAP,S 47P-50 CH	A.....
C	971	87-010-318-080	C-CAP,S 47P-50 CH	A.....
CN	103	87-099-028-010	CONN,11P 6216 H	A.....
CN	102	87-099-032-010	CONN,15P 6216 H	A.....
CN	101	87-099-720-010	CONN,30P TYK-B(P)	A.....
CN	301	87-099-202-010	CONN,9P 6216 H	A.....
CN	302	87-A60-078-010	CONN,09P H 9604S-09F	A.....
CN	501	87-099-201-010	CONN,8P 6216 H	A.....
CN	502	87-A60-059-010	CONN,08P V 9604S-08C	A.....
CN	701	87-099-750-010	CONN,15P V 9604SC	A.....
D	108	87-020-465-080	DIODE,1SS133 (110MA)	A.....
D	102	87-020-465-080	DIODE,1SS133 (110MA)	A.....
D	103	87-020-465-080	DIODE,1SS133 (110MA)	A.....
D	106	87-020-465-080	DIODE,1SS133 (110MA)	A.....
D	101	87-020-465-080	DIODE,1SS133 (110MA)	A.....
D	104	87-020-465-080	DIODE,1SS133 (110MA)	A.....
D	107	87-A40-270-080	C-DIODE,MC2838	A.....
D	109	87-A40-440-080	ZENER,MTZJ7.5A	A.....
D	110	87-020-465-080	DIODE,1SS133 (110MA)	A.....
D	114	87-020-465-080	DIODE,1SS133 (110MA)	A.....
D	111	87-020-465-080	DIODE,1SS133 (110MA)	A.....
D	113	87-020-465-080	DIODE,1SS133 (110MA)	A.....
D	251	87-020-465-080	DIODE,1SS133 (110MA)	A.....
D	301	87-020-465-080	DIODE,1SS133 (110MA)	A.....
D	305	87-020-465-080	DIODE,1SS133 (110MA)	A.....
D	306	87-020-465-080	DIODE,1SS133 (110MA)	A.....
D	303	87-020-465-080	DIODE,1SS133 (110MA)	A.....
D	307	87-020-465-080	DIODE,1SS133 (110MA)	A.....
D	304	87-020-465-080	DIODE,1SS133 (110MA)	A.....
D	302	87-020-465-080	DIODE,1SS133 (110MA)	A.....
D	308	87-020-465-080	DIODE,1SS133 (110MA)	A.....
D	310	87-017-932-080	ZENER,MTJ6.2B	A.....
D	311	87-020-465-080	DIODE,1SS133 (110MA)	A.....
D	318	87-020-465-080	DIODE,1SS133 (110MA)	A.....
D	312	87-020-465-080	DIODE,1SS133 (110MA)	A.....
D	335	87-020-465-080	DIODE,1SS133 (110MA)	A.....
D	334	87-020-465-080	DIODE,1SS133 (110MA)	A.....
D	336	87-020-465-080	DIODE,1SS133 (110MA)	A.....
D	332	87-020-465-080	DIODE,1SS133 (110MA)	A.....
D	338	87-020-465-080	DIODE,1SS133 (110MA)	A.....
D	337	87-020-465-080	DIODE,1SS133 (110MA)	A.....
D	333	87-020-465-080	DIODE,1SS133 (110MA)	A.....
D	331	87-020-465-080	DIODE,1SS133 (110MA)	A.....
D	353	87-020-465-080	DIODE,1SS133 (110MA)	A.....
D	351	87-020-465-080	DIODE,1SS133 (110MA)	A.....
D	354	87-020-465-080	DIODE,1SS133 (110MA)	A.....
D	352	87-020-465-080	DIODE,1SS133 (110MA)	A.....
D	701	87-A40-269-080	C-DIODE,MC2836	A.....
FL	101	8Z-NFD-601-010	FL,BJ713GK-ZNF13	A.....
IC	102	87-A20-914-010	IC,SPS-442-1-F	A.....
IC	101	8Z-NFD-605-010	C-IC,LC876580W-XXX	A.....
IC	380	87-A21-023-040	C-IC,BA3835F	A.....
IC	403	87-A21-021-040	C-IC,BU2099FV	A.....
IC	402	87-A21-021-040	C-IC,BU2099FV	A.....
IC	401	87-A21-021-040	C-IC,BU2099FV	A.....
L	101	87-A50-333-010	COIL,OSC 9.43MHZ	A.....
L	601	87-005-847-080	COIL,2.2UH(CECS)	A.....
LED	101	87-A40-589-040	LED,SLR-56VCT31 RED	A.....
LED	311	87-A40-317-080	LED,SLR-342VCT31 RED	A.....
LED	314	87-A40-317-080	LED,SLR-342VCT31 RED	A.....
LED	315	87-A40-317-080	LED,SLR-342VCT31 RED	A.....
LED	312	87-A40-317-080	LED,SLR-342VCT31 RED	A.....
LED	313	87-A40-317-080	LED,SLR-342VCT31 RED	A.....

# ELECTRICAL MAIN PARTS LIST - 3/11

LED	331	87-A40-563-010	LED,SEL6515C-LF62	PGRN	A.....
LED	332	87-A40-563-010	LED,SEL6515C-LF62	PGRN	A.....
LED	333	87-A40-563-010	LED,SEL6515C-LF62	PGRN	A.....
LED	351	87-A40-563-010	LED,SEL6515C-LF62	PGRN	A.....
LED	352	87-A40-563-010	LED,SEL6515C-LF62	PGRN	A.....
LED	353	87-A40-563-010	LED,SEL6515C-LF62	PGRN	A.....
LED	424	87-070-278-010	LED,SLZ-738A-24-S		A.....
LED	423	87-070-278-010	LED,SLZ-738A-24-S		A.....
LED	426	87-070-278-010	LED,SLZ-738A-24-S		A.....
LED	421	87-070-278-010	LED,SLZ-738A-24-S		A.....
LED	425	87-070-290-010	LED,SLZ 936-30-S		A.....
LED	422	87-070-290-010	LED,SLZ 936-30-S		A.....
LED	440	87-A40-619-040	LED,SLR-56PT-T31-W	GRN	A.....
LED	441	87-A40-619-040	LED,SLR-56PT-T31-W	GRN	A.....
LED	447	87-A40-619-040	LED,SLR-56PT-T31-W	GRN	A.....
LED	446	87-A40-619-040	LED,SLR-56PT-T31-W	GRN	A.....
LED	444	87-A40-619-040	LED,SLR-56PT-T31-W	GRN	A.....
LED	448	87-A40-619-040	LED,SLR-56PT-T31-W	GRN	A.....
LED	442	87-A40-619-040	LED,SLR-56PT-T31-W	GRN	A.....
LED	443	87-A40-619-040	LED,SLR-56PT-T31-W	GRN	A.....
LED	449	87-A40-619-040	LED,SLR-56PT-T31-W	GRN	A.....
LED	445	87-A40-619-040	LED,SLR-56PT-T31-W	GRN	A.....
LED	456	87-A40-619-040	LED,SLR-56PT-T31-W	GRN	A.....
LED	454	87-A40-619-040	LED,SLR-56PT-T31-W	GRN	A.....
LED	451	87-A40-619-040	LED,SLR-56PT-T31-W	GRN	A.....
LED	453	87-A40-619-040	LED,SLR-56PT-T31-W	GRN	A.....
LED	452	87-A40-619-040	LED,SLR-56PT-T31-W	GRN	A.....
LED	455	87-A40-619-040	LED,SLR-56PT-T31-W	GRN	A.....
LED	463	87-A40-317-080	LED,SLR-342VCT31	RED	A.....
LED	461	87-A40-317-080	LED,SLR-342VCT31	RED	A.....
LED	462	87-A40-317-080	LED,SLR-342VCT31	RED	A.....
LED	464	87-A40-317-080	LED,SLR-342VCT31	RED	A.....
LED	465	87-A40-317-080	LED,SLR-342VCT31	RED	A.....
LED	522	87-A40-640-010	LED,SELU1E10CXM	BLUE-EF	A.....
LED	521	87-A40-640-010	LED,SELU1E10CXM	BLUE-EF	A.....
Q	104	87-026-610-080	TR,KTC3198GR		A.....
Q	108	87-A30-073-080	C-TR,RT1N 141C		A.....
Q	109	87-A30-087-080	C-FET,2SK2158		A.....
Q	102	87-A30-087-080	C-FET,2SK2158		A.....
Q	101	87-A30-087-080	C-FET,2SK2158		A.....
Q	301	87-A30-276-040	C-TR,DTA143EKA		A.....
Q	311	87-A30-075-080	C-TR,2SA1235F		A.....
Q	401	87-A30-075-080	C-TR,2SA1235F		A.....
Q	701	87-A30-200-080	TR,2SA1585SR		A.....
Q	703	87-A30-318-080	TR,CSA952K		A.....
Q	702	87-A30-318-080	TR,CSA952K		A.....
S	201	87-A90-095-080	SW,TACT EVQ11G04M		A.....
S	211	87-A90-095-080	SW,TACT EVQ11G04M		A.....
S	218	87-A90-095-080	SW,TACT EVQ11G04M		A.....
S	219	87-A90-095-080	SW,TACT EVQ11G04M		A.....
S	215	87-A90-095-080	SW,TACT EVQ11G04M		A.....
S	213	87-A90-095-080	SW,TACT EVQ11G04M		A.....
S	217	87-A90-095-080	SW,TACT EVQ11G04M		A.....
S	216	87-A90-095-080	SW,TACT EVQ11G04M		A.....
S	214	87-A90-095-080	SW,TACT EVQ11G04M		A.....
S	212	87-A90-095-080	SW,TACT EVQ11G04M		A.....
S	221	87-A90-095-080	SW,TACT EVQ11G04M		A.....
S	222	87-A90-095-080	SW,TACT EVQ11G04M		A.....
S	223	87-A90-095-080	SW,TACT EVQ11G04M		A.....
S	225	87-A90-095-080	SW,TACT EVQ11G04M		A.....
S	224	87-A90-095-080	SW,TACT EVQ11G04M		A.....
S	220	87-A90-095-080	SW,TACT EVQ11G04M		A.....
S	233	87-A90-095-080	SW,TACT EVQ11G04M		A.....
S	234	87-A90-095-080	SW,TACT EVQ11G04M		A.....
S	232	87-A90-095-080	SW,TACT EVQ11G04M		A.....
S	231	87-A90-095-080	SW,TACT EVQ11G04M		A.....
S	254	87-A90-095-080	SW,TACT EVQ11G04M		A.....
S	259	87-A90-095-080	SW,TACT EVQ11G04M		A.....
S	253	87-A90-095-080	SW,TACT EVQ11G04M		A.....
S	255	87-A90-095-080	SW,TACT EVQ11G04M		A.....
S	256	87-A90-095-080	SW,TACT EVQ11G04M		A.....
S	257	87-A90-095-080	SW,TACT EVQ11G04M		A.....
S	251	87-A90-095-080	SW,TACT EVQ11G04M		A.....
S	258	87-A90-095-080	SW,TACT EVQ11G04M		A.....
S	252	87-A90-095-080	SW,TACT EVQ11G04M		A.....
S	263	87-A90-095-080	SW,TACT EVQ11G04M		A.....
S	315	87-A90-095-080	SW,TACT EVQ11G04M		A.....
S	318	87-A90-095-080	SW,TACT EVQ11G04M		A.....
S	319	87-A90-095-080	SW,TACT EVQ11G04M		A.....
S	314	87-A90-095-080	SW,TACT EVQ11G04M		A.....
S	310	87-A90-095-080	SW,TACT EVQ11G04M		A.....
S	316	87-A90-095-080	SW,TACT EVQ11G04M		A.....
S	317	87-A90-095-080	SW,TACT EVQ11G04M		A.....
S	312	87-A90-095-080	SW,TACT EVQ11G04M		A.....
S	313	87-A90-095-080	SW,TACT EVQ11G04M		A.....
S	311	87-A90-095-080	SW,TACT EVQ11G04M		A.....
S	320	87-A90-095-080	SW,TACT EVQ11G04M		A.....
S	514	87-A90-095-080	SW,TACT EVQ11G04M		A.....
S	518	87-A90-095-080	SW,TACT EVQ11G04M		A.....
S	519	87-A90-095-080	SW,TACT EVQ11G04M		A.....
S	515	87-A90-095-080	SW,TACT EVQ11G04M		A.....
S	513	87-A90-095-080	SW,TACT EVQ11G04M		A.....

# ELECTRICAL MAIN PARTS LIST - 4/11

S	517	87-A90-095-080	SW,TACT EVQ11G04M	A.....
S	516	87-A90-095-080	SW,TACT EVQ11G04M	A.....
S	512	87-A90-095-080	SW,TACT EVQ11G04M	A.....
S	511	87-A90-095-080	SW,TACT EVQ11G04M	A.....
S	520	87-A90-095-080	SW,TACT EVQ11G04M	A.....
SW	101	87-A90-535-010	SW,RTRY EC16B24304	A.....
SW	501	87-A91-111-010	SW,RTRY EC12E12404-20MM	A.....
C	806	87-010-071-040	CAP,E 1-50 M 5L SRE	A.....
C	802	87-010-176-080	C-CAP,S 680P-50 SL	A.....
C	803	87-010-187-080	CAP CHIP S5600P	A.....
C	807	87-010-196-080	CHIP CAPACITOR,0.1-25	A.....
C	804	87-010-213-080	C-CAP,S 0.015-50 B	A.....
C	801	87-012-145-080	CAP, CHIP S 270P CH	A.....
C	809	87-012-155-080	C-CAP 180P-50CH	A.....
C	812	87-010-060-040	CAP,E 100-16	A.....
C	810	87-010-561-040	CAP,E 100-16 GAS	A.....
C	811	87-015-682-040	CAP,E 22-16 7L	A.....
C	821	87-010-197-080	CAP, CHIP 0.01 DM	A.....
C	823	87-010-197-080	CAP, CHIP 0.01 DM	A.....
C	822	87-015-819-080	CAPACITOR,0.01	A.....
C	833	87-010-322-080	C-CAP,S 100P-50 CH	A.....
D	801	87-017-931-080	ZENER,MTZJ5.6B	A.....
IC	801	87-A21-051-040	C-IC,BU9990-03FS	A.....
L	801	87-A50-093-010	COIL,CLOCK 5.76MHZ	A.....
C	307	87-010-196-080	CHIP CAPACITOR,0.1-25	A.....
C	301	87-010-318-080	C-CAP,S 47P-50 CH	A.....
C	302	87-010-318-080	C-CAP,S 47P-50 CH	A.....
C	305	87-012-145-080	CAP, CHIP S 270P CH	A.....
C	306	87-012-145-080	CAP, CHIP S 270P CH	A.....
C	303	87-012-157-080	C-CAP,S 330P-50 CH	A.....
C	304	87-012-157-080	C-CAP,S 330P-50 CH	A.....
C	316	87-010-179-080	CAP,CHIP S B1200P	A.....
C	315	87-010-179-080	CAP,CHIP S B1200P	A.....
C	313	87-010-181-080	CAP,CHIP S 1800P	A.....
C	314	87-010-181-080	CAP,CHIP S 1800P	A.....
C	311	87-010-198-080	CAP, CHIP 0.022	A.....
C	312	87-010-198-080	CAP, CHIP 0.022	A.....
C	319	87-012-141-080	CHIP-CAPACITOR,0.22-16F	A.....
C	318	87-012-142-080	CAP, S 0.33-16	A.....
C	317	87-012-142-080	CAP, S 0.33-16	A.....
C	324	87-010-260-080	CAP, ELECT 47-25V	A.....
C	325	87-010-370-080	CAP,E 330-6.3 SME	A.....
C	328	87-010-404-080	CAP, ELECT 4.7-50V	A.....
C	327	87-010-404-080	CAP, ELECT 4.7-50V	A.....
C	320	87-012-141-080	CHIP-CAPACITOR,0.22-16F	A.....
C	321	87-012-142-080	CAP, S 0.33-16	A.....
C	322	87-012-142-080	CAP, S 0.33-16	A.....
C	332	87-010-196-080	CHIP CAPACITOR,0.1-25	A.....
C	339	87-010-196-080	CHIP CAPACITOR,0.1-25	A.....
C	337	87-010-196-080	CHIP CAPACITOR,0.1-25	A.....
C	336	87-010-401-080	CAP, ELECT 1-50V	A.....
C	335	87-010-401-080	CAP, ELECT 1-50V	A.....
C	340	87-010-196-080	CHIP CAPACITOR,0.1-25	A.....
C	354	87-010-175-080	CAP 560P	A.....
C	359	87-010-183-080	C-CAP,S 2700P-50 B	A.....
C	358	87-010-183-080	C-CAP,S 2700P-50 B	A.....
C	357	87-010-197-080	CAP, CHIP 0.01 DM	A.....
C	356	87-010-260-080	CAP, ELECT 47-25V	A.....
C	352	87-012-140-080	CAP 470P	A.....
C	351	87-012-140-080	CAP 470P	A.....
C	355	87-012-349-080	C-CAP,S 1000P-50 CH	A.....
C	360	87-010-183-080	C-CAP,S 2700P-50 B	A.....
C	363	87-A10-772-080	CAP,M 5600P-50 J	A.....
C	371	87-010-175-080	CAP 560P	A.....
C	372	87-010-175-080	CAP 560P	A.....
C	373	87-010-179-080	CAP,CHIP S B1200P	A.....
C	374	87-010-179-080	CAP,CHIP S B1200P	A.....
C	370	87-010-196-080	CHIP CAPACITOR,0.1-25	A.....
C	378	87-010-196-080	CHIP CAPACITOR,0.1-25	A.....
C	375	87-010-545-080	CAP, ELECT 0.22-50V	A.....
C	376	87-010-545-080	CAP, ELECT 0.22-50V	A.....
C	385	87-010-184-080	CHIP CAPACITOR 3300P(K)	A.....
C	386	87-010-196-080	CHIP CAPACITOR,0.1-25	A.....
C	383	87-010-197-080	CAP, CHIP 0.01 DM	A.....
C	381	87-010-197-080	CAP, CHIP 0.01 DM	A.....
C	382	87-010-318-080	C-CAP,S 47P-50 CH	A.....
C	384	87-010-402-080	CAP, ELECT 2.2-50V	A.....
C	388	87-012-156-080	C-CAP,S 220P-50 CH	A.....
CN	301	87-A60-620-010	CONN,3P V 2MM JMT	A.....
CN	351	87-A60-625-010	CONN,8P V 2MM JMT	A.....
D	352	87-A40-269-080	C-DIODE,MC2836	A.....
IC	302	87-A20-355-010	IC,CXA1553P	A.....
IC	303	87-A20-783-040	C-IC,BA7762AFS	A.....
L	302	87-A50-049-010	COIL,TRAP 85K(COI)	A.....
L	301	87-A50-049-010	COIL,TRAP 85K(COI)	A.....
L	351	87-007-342-010	COIL,OSC 85K BIAS	A.....
Q	359	87-026-610-080	TR,KTC3198GR	A.....
Q	358	87-026-610-080	TR,KTC3198GR	A.....
Q	357	87-026-610-080	TR,KTC3198GR	A.....
Q	351	87-A30-087-080	C-FET,2SK2158	A.....
Q	353	87-A30-087-080	C-FET,2SK2158	A.....
Q	354	87-A30-087-080	C-FET,2SK2158	A.....

# ELECTRICAL MAIN PARTS LIST - 5/11

Q	355	87-A30-105-080	C-TR,RT1P 441C	A.....
QO	381	87-A30-076-080	C-TR,2SC3052F	A.....
QO	382	87-A30-076-080	C-TR,2SC3052F	A.....
SFR	302	87-024-355-080	SFR,33K DIA6 H	A.....
SFR	303	87-024-355-080	SFR,33K DIA6 H	A.....
SFR	301	87-024-355-080	SFR,33K DIA6 H	A.....
SFR	304	87-024-355-080	SFR,33K DIA6 H	A.....
SFR	305	87-024-356-080	SFR,47K DIA6 H	A.....
SFR	306	87-024-356-080	SFR,47K DIA6 H	A.....
SFR	352	87-024-356-080	SFR,47K DIA6 H	A.....
SFR	351	87-024-356-080	SFR,47K DIA6 H	A.....
C	407	87-010-188-080	CAP,CHIP 6800P	A.....
C	408	87-010-188-080	CAP,CHIP 6800P	A.....
C	401	87-010-196-080	CHIP CAPACITOR,0.1-25	A.....
C	402	87-010-260-080	CAP, ELECT 47-25V	A.....
C	404	87-010-404-080	CAP, ELECT 4.7-50V	A.....
C	405	87-010-404-080	CAP, ELECT 4.7-50V	A.....
C	406	87-010-404-080	CAP, ELECT 4.7-50V	A.....
C	403	87-010-404-080	CAP, ELECT 4.7-50V	A.....
C	409	87-012-140-080	CAP 470P	A.....
C	416	87-010-197-080	CAP, CHIP 0.01 DM	A.....
C	415	87-010-197-080	CAP, CHIP 0.01 DM	A.....
C	419	87-010-260-080	CAP, ELECT 47-25V	A.....
C	414	87-010-404-080	CAP, ELECT 4.7-50V	A.....
C	413	87-010-404-080	CAP, ELECT 4.7-50V	A.....
C	412	87-010-404-080	CAP, ELECT 4.7-50V	A.....
C	411	87-010-404-080	CAP, ELECT 4.7-50V	A.....
C	418	87-010-956-080	CHIP-CAP,S 0.068-25B	A.....
C	417	87-010-956-080	CHIP-CAP,S 0.068-25B	A.....
C	410	87-012-140-080	CAP 470P	A.....
D	402	87-020-465-080	DIODE,1SS133 (110MA)	A.....
D	401	87-A40-269-080	C-DIODE,MC2836	A.....
IC	401	87-A21-022-040	C-IC,BA3880FS	A.....
C	452	87-010-404-080	CAP, ELECT 4.7-50V	A.....
C	451	87-010-404-080	CAP, ELECT 4.7-50V	A.....
C	461	87-010-067-080	CAP,E 0.1-50 5L	A.....
C	467	87-016-314-080	C-CAP,S 1-16 F	A.....
C	4	87-012-368-080	C-CAP,S 0.1-50 F	A.....
C	3	87-012-368-080	C-CAP,S 0.1-50 F	A.....
C	5	87-012-368-080	C-CAP,S 0.1-50 F	A.....
C	6	87-012-368-080	C-CAP,S 0.1-50 F	A.....
C	1	87-012-369-080	C-CAP,S 0.047-50F	A.....
C	2	87-012-369-080	C-CAP,S 0.047-50F	A.....
C	9	87-016-658-090	CAP,E 4700-35 SMG	A.....
C	10	87-016-658-090	CAP,E 4700-35 SMG	A.....
C	24	87-010-247-080	CAP, ELECT 100-50V	A.....
C	29	87-010-247-080	CAP, ELECT 100-50V	A.....
C	23	87-010-247-080	CAP, ELECT 100-50V	A.....
C	28	87-010-263-080	CAP, ELECT 100-10V	A.....
C	26	87-010-263-080	CAP, ELECT 100-10V	A.....
C	22	87-010-385-080	CAP, ELECT 220-25V	A.....
C	21	87-010-385-080	CAP, ELECT 220-25V	A.....
C	25	87-010-430-080	CAP, ELECT 100-63	A.....
C	27	87-012-140-080	CAP 470P	A.....
C	31	87-010-235-080	CAP,E 470-16 SME	A.....
C	36	87-010-235-080	CAP,E 470-16 SME	A.....
C	30	87-010-381-080	CAP, ELECT 330-16V	A.....
C	35	87-010-382-080	CAP, ELECT 22-25V	A.....
C	61	87-010-234-080	CAP 47-16	A.....
C	62	87-010-415-080	CAP ELE SRE 10-50V	A.....
C	92	87-010-263-080	CAP, ELECT 100-10V	A.....
C	93	87-010-380-080	CAP, ELECT 47-16V	A.....
C	91	87-010-401-080	CAP, ELECT 1-50V	A.....
CN	1	87-A60-739-010	CONN,13P JL-BT	A.....
CN	92	87-A60-109-010	CONN,2P V S2M-2W	A.....
CN	91	87-A60-109-010	CONN,2P V S2M-2W	A.....
CNA	1	8Z-NF3-645-010	CONN ASSY,9P VH	A.....
D	9	87-020-465-080	DIODE,1SS133 (110MA)	A.....
D	8	87-020-465-080	DIODE,1SS133 (110MA)	A.....
D	1	87-A40-224-010	DIODE,GBU8D	A.....
D	7	87-A40-503-080	ZENER,MTZJ39B	A.....
D	6	87-A40-553-080	DIODE,1N4003 LES	A.....
D	5	87-A40-553-080	DIODE,1N4003 LES	A.....
D	4	87-A40-553-080	DIODE,1N4003 LES	A.....
D	3	87-A40-553-080	DIODE,1N4003 LES	A.....
D	10	87-A40-345-080	ZENER,MTZJ10C	A.....
D	64	87-070-274-080	DIODE,1N4003 SEM	A.....
D	63	87-A40-004-080	ZENER,MTZJ16A	A.....
D	62	87-A40-269-080	C-DIODE,MC2836	A.....
D	61	87-A40-270-080	C-DIODE,MC2838	A.....
D	92	87-020-465-080	DIODE,1SS133 (110MA)	A.....
D	91	87-020-465-080	DIODE,1SS133 (110MA)	A.....
JW	16	87-A90-896-080	F-BEAD, 035600STY7	A.....
QO	5	87-026-610-080	TR,KTC3198GR	A.....
QO	8	87-A30-075-080	C-TR,2SA1235F	A.....
QO	7	87-A30-075-080	C-TR,2SA1235F	A.....
QO	6	87-A30-076-080	C-TR,2SC3052F	A.....
QO	9	87-A30-196-080	TR,2SC4115SRS	A.....
QO	2	87-A30-218-080	TR,2SB1237(Q)	A.....
QO	1	87-A30-218-080	TR,2SB1237(Q)	A.....
QO	15	89-110-372-080	TR,2SA1037(140MHZ 200MW)	A.....
QO	16	89-213-750-010	TR,2SB1375 (25W)	A.....

# ELECTRICAL MAIN PARTS LIST - 6/11

Q	64	87-A30-075-080	C-TR,2SA1235F	A.....
Q	66	87-A30-075-080	C-TR,2SA1235F	A.....
Q	67	87-A30-076-080	C-TR,2SC3052F	A.....
Q	63	87-A30-076-080	C-TR,2SC3052F	A.....
Q	65	87-A30-076-080	C-TR,2SC3052F	A.....
Q	91	87-A30-076-080	C-TR,2SC3052F	A.....
Q	92	87-A30-240-080	TR,CSA1585BC	A.....
R	20	87-A00-261-080	RES,M/F 0.56-1W J	A.....
R	87	87-022-493-080	RES,NF 33-1/4W J	A.....
WH	1	87-A90-510-010	HLDR,WIRE 2.5-9P	A.....
C	102	87-010-182-080	C-CAP,S 2200P-50 B	A.....
C	101	87-010-182-080	C-CAP,S 2200P-50 B	A.....
C	128	87-012-368-080	C-CAP,S 0.1-50 F	A.....
C	127	87-012-368-080	C-CAP,S 0.1-50 F	A.....
C	126	87-012-368-080	C-CAP,S 0.1-50 F	A.....
C	125	87-012-368-080	C-CAP,S 0.1-50 F	A.....
C	134	87-010-419-080	CAP,E 4.7-16 5L	A.....
CNA	103	8Z-MAP-614-010	CONN ASSY,2P 130 VH	A.....
J	203	87-A60-238-010	TERMINAL,SP 4P (MSC)	A.....
J	201	87-A60-483-010	JACK,DIA6.3 BLK ST W/S KM	A.....
JW	112	87-A90-896-080	F-BEAD, 035600STY7	A.....
L	102	87-003-383-010	COIL,1UH-S	A.....
L	101	87-003-383-010	COIL,1UH-S	A.....
Q	102	87-A30-257-080	C-TR,2SD1306E	A.....
Q	101	87-A30-257-080	C-TR,2SD1306E	A.....
Q	127	87-A30-075-080	C-TR,2SA1235F	A.....
R	143	87-A00-443-050	RES,390-1/2W J RP	A.....
R	146	87-A00-443-050	RES,390-1/2W J RP	A.....
R	145	87-A00-443-050	RES,390-1/2W J RP	A.....
R	144	87-A00-443-050	RES,390-1/2W J RP	A.....
WH	101	87-A90-506-010	HLDR,WIRE 2.5-2P	A.....
C	202	87-010-402-080	CAP, ELECT 2.2-50V	A.....
C	201	87-010-402-080	CAP, ELECT 2.2-50V	A.....
C	229	87-010-993-080	C-CAP,S 0.056-25 B	A.....
C	239	87-010-196-080	CHIP CAPACITOR,0.1-25	A.....
C	232	87-010-196-080	CHIP CAPACITOR,0.1-25	A.....
C	231	87-010-196-080	CHIP CAPACITOR,0.1-25	A.....
C	230	87-010-993-080	C-CAP,S 0.056-25 B	A.....
C	252	87-010-183-080	C-CAP,S 2700P-50 B	A.....
C	251	87-010-402-080	CAP, ELECT 2.2-50V	A.....
CN	201	87-A60-739-010	CONN,13P JL-BT	A.....
D	213	87-020-465-080	DIODE,1SS133 (110MA)	A.....
D	810	87-A40-270-080	C-DIODE,MC2838	A.....
J	206	87-A60-752-010	JACK,PIN 4P R/W,O/B	A.....
L	202	87-003-383-010	COIL,1UH-S	A.....
L	201	87-003-383-010	COIL,1UH-S	A.....
Q	223	87-A30-105-080	C-TR,RT1P 441C	A.....
Q	222	87-A30-105-080	C-TR,RT1P 441C	A.....
Q	230	87-A30-257-080	C-TR,2SD1306E	A.....
C	813	87-010-401-080	CAP, ELECT 1-50V	A.....
C	825	87-010-196-080	CHIP CAPACITOR,0.1-25	A.....
C	899	87-010-196-080	CHIP CAPACITOR,0.1-25	A.....
C	898	87-010-993-080	C-CAP,S 0.056-25 B	A.....
L	801	87-003-383-010	COIL,1UH-S	A.....
C	601	87-010-183-080	C-CAP,S 2700P-50 B	A.....
C	602	87-010-183-080	C-CAP,S 2700P-50 B	A.....
C	607	87-010-318-080	C-CAP,S 47P-50 CH	A.....
C	606	87-010-318-080	C-CAP,S 47P-50 CH	A.....
C	605	87-010-318-080	C-CAP,S 47P-50 CH	A.....
C	608	87-010-318-080	C-CAP,S 47P-50 CH	A.....
C	619	87-010-185-080	C-CAP,S 3900P-50 B	A.....
C	614	87-016-081-080	C-CAP,S 0.1-16 RK	A.....
C	613	87-016-081-080	C-CAP,S 0.1-16 RK	A.....
C	617	87-A11-009-080	CAP,M 0.068-50 J DE	A.....
C	618	87-A11-009-080	CAP,M 0.068-50 J DE	A.....
C	616	87-A11-011-080	CAP,M 0.12-50 J DE	A.....
C	615	87-A11-011-080	CAP,M 0.12-50 J DE	A.....
C	620	87-010-185-080	C-CAP,S 3900P-50 B	A.....
C	627	87-010-196-080	CHIP CAPACITOR,0.1-25	A.....
C	621	87-010-401-080	CAP, ELECT 1-50V	A.....
C	625	87-010-401-080	CAP, ELECT 1-50V	A.....
C	622	87-010-401-080	CAP, ELECT 1-50V	A.....
C	626	87-010-401-080	CAP, ELECT 1-50V	A.....
C	629	87-010-405-080	CAP, ELECT 10-50V	A.....
C	623	87-A10-773-080	CAP,M 0.10-50 J	A.....
C	624	87-A10-773-080	CAP,M 0.10-50 J	A.....
C	637	87-010-183-080	C-CAP,S 2700P-50 B	A.....
C	634	87-010-196-080	CHIP CAPACITOR,0.1-25	A.....
C	635	87-010-196-080	CHIP CAPACITOR,0.1-25	A.....
C	630	87-010-213-080	C-CAP,S 0.015-50 B	A.....
C	633	87-010-263-080	CAP, ELECT 100-10V	A.....
C	632	87-010-263-080	CAP, ELECT 100-10V	A.....
C	631	87-010-992-080	C-CAP,S 0.047-25 B	A.....
C	636	87-010-992-080	C-CAP,S 0.047-25 B	A.....
C	641	87-010-196-080	CHIP CAPACITOR,0.1-25	A.....
C	640	87-010-314-080	C-CAP,S 22P-50V	A.....
C	654	87-010-322-080	C-CAP,S 100P-50 CH	A.....
C	653	87-010-322-080	C-CAP,S 100P-50 CH	A.....
C	679	87-010-178-080	CHIP CAP 1000P	A.....
C	678	87-010-196-080	CHIP CAPACITOR,0.1-25	A.....
C	677	87-010-196-080	CHIP CAPACITOR,0.1-25	A.....
C	680	87-010-196-080	CHIP CAPACITOR,0.1-25	A.....

# ELECTRICAL MAIN PARTS LIST - 7/11

CN	604	87-099-570-010	CONN,13P TUC-P13P-B1	A.....
CN	601	87-099-719-010	CONN,30P TYK-B(X)	A.....
CN	602	87-A60-061-010	CONN,06P V 9604S-06C	A.....
D	601	87-A40-002-080	ZENER,MTZJ5.1C	A.....
D	603	87-A40-234-080	ZENER,MTZJ5.6A	A.....
D	602	87-A40-438-080	ZENER,MTZJ4.7A	A.....
IC	601	87-A21-202-040	C-IC,M62445AFP	A.....
J	601	87-A60-426-010	JACK,PIN 6P YKC21-3835	A.....
JR	630	83-XM1-617-080	C-COIL,BK2125HM601	A.....
Q	601	87-026-609-080	TR,KTA1266GR	A.....
Q	604	87-A30-142-040	C-TR,DTA123EKA	A.....
Q	602	87-A30-269-040	C-FET,2SJ461-T1	A.....
C	735	87-010-178-080	CHIP CAP 1000P	A.....
C	736	87-010-196-080	CHIP CAPACITOR,0.1-25	A.....
C	732	87-010-196-080	CHIP CAPACITOR,0.1-25	A.....
C	731	87-010-560-080	CAP,E 10-50 GAS	A.....
C	733	87-010-958-080	CHIP -CAP,S 0.01-25BJ	A.....
C	734	87-012-156-080	C-CAP,S 220P-50 CH	A.....
Q	741	87-010-178-080	CHIP CAP 1000P	A.....
Q	732	87-A30-075-080	C-TR,2SA1235F	A.....
Q	731	87-A30-076-080	C-TR,2SC3052F	A.....
Q	901	87-010-402-080	CAP,ELECT 2.2-50V	A.....
Q	902	87-010-402-080	CAP,ELECT 2.2-50V	A.....
Q	903	87-010-404-080	CAP,ELECT 4.7-50V	A.....
Q	904	87-010-404-080	CAP,ELECT 4.7-50V	A.....
Q	905	87-010-404-080	CAP,ELECT 4.7-50V	A.....
Q	909	87-016-460-080	C-CAP,S 0.22-16 B	A.....
Q	907	87-016-669-080	C-CAP,S 0.1-25 K B	A.....
Q	908	87-016-669-080	C-CAP,S 0.1-25 K B	A.....
Q	919	87-010-183-080	C-CAP,S 2700P-50 B	A.....
Q	916	87-010-197-080	CAP,CHIP 0.01 DM	A.....
Q	915	87-010-197-080	CAP,CHIP 0.01 DM	A.....
Q	917	87-010-198-080	CAP,CHIP 0.022	A.....
Q	918	87-010-198-080	CAP,CHIP 0.022	A.....
Q	914	87-010-956-080	CHIP-CAP,S 0.068-25B	A.....
Q	913	87-010-956-080	CHIP-CAP,S 0.068-25B	A.....
Q	912	87-012-365-080	C-CAP,S 0.027-25VBK	A.....
Q	911	87-012-365-080	C-CAP,S 0.027-25VBK	A.....
Q	910	87-016-460-080	C-CAP,S 0.22-16 B	A.....
Q	927	87-010-112-080	CAP,ELECT 100-16V	A.....
Q	923	87-010-178-080	CHIP CAP 1000P	A.....
Q	924	87-010-178-080	CHIP CAP 1000P	A.....
Q	925	87-010-182-080	C-CAP,S 2200P-50 B	A.....
Q	926	87-010-182-080	C-CAP,S 2200P-50 B	A.....
Q	920	87-010-183-080	C-CAP,S 2700P-50 B	A.....
Q	922	87-010-188-080	CAP,CHIP 6800P	A.....
Q	921	87-010-188-080	CAP,CHIP 6800P	A.....
Q	928	87-010-196-080	CHIP CAPACITOR,0.1-25	A.....
Q	929	87-010-322-080	C-CAP,S 100P-50 CH	A.....
Q	930	87-010-322-080	C-CAP,S 100P-50 CH	A.....
Q	931	87-010-322-080	C-CAP,S 100P-50 CH	A.....
CN	901	87-099-568-010	CONN,11P TUC-P11P-B1	A.....
IC	901	87-A20-869-040	C-IC,M62449FP	A.....
PN	901	87-A60-546-010	CONN,11P H GRY TUC-P11X-C1	A.....
C	109	87-010-196-080	CHIP CAPACITOR,0.1-25	A.....
C	101	87-010-196-080	CHIP CAPACITOR,0.1-25	A.....
C	105	87-010-196-080	CHIP CAPACITOR,0.1-25	A.....
C	108	87-010-196-080	CHIP CAPACITOR,0.1-25	A.....
C	107	87-010-196-080	CHIP CAPACITOR,0.1-25	A.....
C	106	87-010-197-080	CAP,CHIP 0.01 DM	A.....
C	104	87-010-313-080	CAP,CHIP 18P	A.....
C	103	87-010-314-080	C-CAP,S 22P-50V	A.....
C	102	87-010-374-080	CAP,ELECT 47-10V	A.....
C	110	87-010-196-080	CHIP CAPACITOR,0.1-25	A.....
C	119	87-010-196-080	CHIP CAPACITOR,0.1-25	A.....
C	111	87-010-196-080	CHIP CAPACITOR,0.1-25	A.....
C	113	87-010-196-080	CHIP CAPACITOR,0.1-25	A.....
C	114	87-010-196-080	CHIP CAPACITOR,0.1-25	A.....
C	117	87-010-198-080	CAP,CHIP 0.022	A.....
C	115	87-010-374-080	CAP,ELECT 47-10V	A.....
C	118	87-010-401-080	CAP,ELECT 1-50V	A.....
C	112	87-010-404-080	CAP,ELECT 4.7-50V	A.....
C	116	87-012-140-080	CAP 470P	A.....
C	120	87-010-196-080	CHIP CAPACITOR,0.1-25	A.....
C	125	87-010-196-080	CHIP CAPACITOR,0.1-25	A.....
C	126	87-010-196-080	CHIP CAPACITOR,0.1-25	A.....
C	128	87-010-196-080	CHIP CAPACITOR,0.1-25	A.....
C	124	87-010-263-080	CAP,ELECT 100-10V	A.....
C	122	87-010-311-080	CAP 12P	A.....
C	123	87-010-311-080	CAP 12P	A.....
C	129	87-010-384-080	CAP,ELECT 100-25V	A.....
C	121	87-010-401-080	CAP,ELECT 1-50V	A.....
C	127	87-010-555-040	CAP,E 100-10 GAS	A.....
C	134	87-010-196-080	CHIP CAPACITOR,0.1-25	A.....
C	133	87-010-196-080	CHIP CAPACITOR,0.1-25	A.....
C	131	87-010-263-080	CAP,ELECT 100-10V	A.....
C	139	87-010-314-080	C-CAP,S 22P-50V	A.....
C	132	87-010-401-080	CAP,ELECT 1-50V	A.....
C	135	87-010-405-080	CAP,ELECT 10-50V	A.....
C	136	87-010-405-080	CAP,ELECT 10-50V	A.....
C	142	87-010-182-080	C-CAP,S 2200P-50 B	A.....
C	143	87-010-196-080	CHIP CAPACITOR,0.1-25	A.....



# ELECTRICAL MAIN PARTS LIST - 8/11

C	141	87-010-196-080	CHIP CAPACITOR,0.1-25	A.....
C	148	87-010-196-080	CHIP CAPACITOR,0.1-25	A.....
C	149	87-010-196-080	CHIP CAPACITOR,0.1-25	A.....
C	144	87-010-312-080	C-CAP,S 15P-50 CH	A.....
C	147	87-010-405-080	CAP, ELECT 10-50V	A.....
C	140	87-010-552-040	CAP,E 22-16 GAS	A.....
C	146	87-012-154-080	C-CAP,S 150P-50 CH	A.....
C	145	87-012-154-080	C-CAP,S 150P-50 CH	A.....
C	154	87-010-178-080	CHIP CAP 1000P	A.....
C	153	87-010-178-080	CHIP CAP 1000P	A.....
C	159	87-010-178-080	CHIP CAP 1000P	A.....
C	152	87-010-405-080	CAP, ELECT 10-50V	A.....
C	151	87-010-405-080	CAP, ELECT 10-50V	A.....
C	150	87-010-405-080	CAP, ELECT 10-50V	A.....
C	158	87-012-154-080	C-CAP,S 150P-50 CH	A.....
C	157	87-012-154-080	C-CAP,S 150P-50 CH	A.....
C	155	87-A10-369-080	C-CAP,S 0.47-16 K B	A.....
C	160	87-010-178-080	CHIP CAP 1000P	A.....
C	164	87-010-196-080	CHIP CAPACITOR,0.1-25	A.....
C	163	87-010-196-080	CHIP CAPACITOR,0.1-25	A.....
C	162	87-010-405-080	CAP, ELECT 10-50V	A.....
C	161	87-010-405-080	CAP, ELECT 10-50V	A.....
C	167	87-010-405-080	CAP, ELECT 10-50V	A.....
C	166	87-010-405-080	CAP, ELECT 10-50V	A.....
C	169	87-012-154-080	C-CAP,S 150P-50 CH	A.....
C	165	87-A10-369-080	C-CAP,S 0.47-16 K B	A.....
C	171	87-010-178-080	CHIP CAP 1000P	A.....
C	172	87-010-178-080	CHIP CAP 1000P	A.....
C	179	87-010-196-080	CHIP CAPACITOR,0.1-25	A.....
C	175	87-010-196-080	CHIP CAPACITOR,0.1-25	A.....
C	178	87-010-196-080	CHIP CAPACITOR,0.1-25	A.....
C	174	87-010-196-080	CHIP CAPACITOR,0.1-25	A.....
C	170	87-012-154-080	C-CAP,S 150P-50 CH	A.....
C	173	87-018-209-080	CAP, CER 0.1-50V	A.....
C	177	87-A10-369-080	C-CAP,S 0.47-16 K B	A.....
C	183	87-010-196-080	CHIP CAPACITOR,0.1-25	A.....
C	184	87-010-196-080	CHIP CAPACITOR,0.1-25	A.....
C	189	87-010-196-080	CHIP CAPACITOR,0.1-25	A.....
C	188	87-010-196-080	CHIP CAPACITOR,0.1-25	A.....
C	187	87-010-196-080	CHIP CAPACITOR,0.1-25	A.....
C	185	87-010-405-080	CAP, ELECT 10-50V	A.....
C	186	87-010-405-080	CAP, ELECT 10-50V	A.....
C	181	87-010-405-080	CAP, ELECT 10-50V	A.....
C	182	87-010-405-080	CAP, ELECT 10-50V	A.....
C	180	87-010-405-080	CAP, ELECT 10-50V	A.....
C	193	87-010-154-080	CAP CHIP 10P	A.....
C	194	87-010-154-080	CAP CHIP 10P	A.....
C	191	87-010-196-080	CHIP CAPACITOR,0.1-25	A.....
C	198	87-010-196-080	CHIP CAPACITOR,0.1-25	A.....
C	196	87-010-196-080	CHIP CAPACITOR,0.1-25	A.....
C	192	87-010-196-080	CHIP CAPACITOR,0.1-25	A.....
C	195	87-010-405-080	CAP, ELECT 10-50V	A.....
C	190	87-010-405-080	CAP, ELECT 10-50V	A.....
C	197	87-010-405-080	CAP, ELECT 10-50V	A.....
C	199	87-A10-369-080	C-CAP,S 0.47-16 K B	A.....
C	209	87-010-154-080	CAP CHIP 10P	A.....
C	202	87-010-154-080	CAP CHIP 10P	A.....
C	201	87-010-154-080	CAP CHIP 10P	A.....
C	204	87-010-196-080	CHIP CAPACITOR,0.1-25	A.....
C	203	87-010-196-080	CHIP CAPACITOR,0.1-25	A.....
C	206	87-010-401-080	CAP, ELECT 1-50V	A.....
C	207	87-010-405-080	CAP, ELECT 10-50V	A.....
C	208	87-010-405-080	CAP, ELECT 10-50V	A.....
C	205	87-A10-369-080	C-CAP,S 0.47-16 K B	A.....
C	210	87-010-154-080	CAP CHIP 10P	A.....
C	212	87-010-196-080	CHIP CAPACITOR,0.1-25	A.....
C	211	87-010-196-080	CHIP CAPACITOR,0.1-25	A.....
C	216	87-010-405-080	CAP, ELECT 10-50V	A.....
C	215	87-010-405-080	CAP, ELECT 10-50V	A.....
C	214	87-010-405-080	CAP, ELECT 10-50V	A.....
C	219	87-010-993-080	C-CAP,S 0.056-25 B	A.....
C	213	87-A10-369-080	C-CAP,S 0.47-16 K B	A.....
C	222	87-010-196-080	CHIP CAPACITOR,0.1-25	A.....
C	224	87-010-196-080	CHIP CAPACITOR,0.1-25	A.....
C	228	87-010-405-080	CAP, ELECT 10-50V	A.....
C	227	87-010-405-080	CAP, ELECT 10-50V	A.....
C	226	87-012-155-080	C-CAP 180P-50CH	A.....
C	225	87-012-155-080	C-CAP 180P-50CH	A.....
C	220	87-A10-369-080	C-CAP,S 0.47-16 K B	A.....
C	239	87-010-196-080	CHIP CAPACITOR,0.1-25	A.....
C	236	87-010-196-080	CHIP CAPACITOR,0.1-25	A.....
C	237	87-010-196-080	CHIP CAPACITOR,0.1-25	A.....
C	230	87-010-196-080	CHIP CAPACITOR,0.1-25	A.....
C	232	87-010-196-080	CHIP CAPACITOR,0.1-25	A.....
C	238	87-010-314-080	C-CAP,S 22P-50V	A.....
C	244	87-010-196-080	CHIP CAPACITOR,0.1-25	A.....
C	242	87-010-196-080	CHIP CAPACITOR,0.1-25	A.....
C	240	87-010-314-080	C-CAP,S 22P-50V	A.....
C	243	87-010-322-080	C-CAP,S 100P-50 CH	A.....
C	241	87-010-405-080	CAP, ELECT 10-50V	A.....
C	261	87-010-196-080	CHIP CAPACITOR,0.1-25	A.....
C	260	87-010-378-080	CAP, ELECT 10-16V	A.....

# ELECTRICAL MAIN PARTS LIST - 9/11

C	306	87-010-183-080	C-CAP,S 2700P-50 B	A.....
C	309	87-010-184-080	CHIP CAPACITOR 3300P(K)	A.....
C	305	87-010-184-080	CHIP CAPACITOR 3300P(K)	A.....
C	303	87-010-196-080	CHIP CAPACITOR,0.1-25	A.....
C	301	87-012-393-080	C-CAP,S 0.22-16 R K	A.....
C	304	87-012-393-080	C-CAP,S 0.22-16 R K	A.....
C	302	87-012-393-080	C-CAP,S 0.22-16 R K	A.....
C	307	87-016-669-080	C-CAP,S 0.1-25 K B	A.....
C	308	87-016-669-080	C-CAP,S 0.1-25 K B	A.....
C	318	87-010-183-080	C-CAP,S 2700P-50 B	A.....
C	317	87-010-183-080	C-CAP,S 2700P-50 B	A.....
C	310	87-010-183-080	C-CAP,S 2700P-50 B	A.....
C	313	87-010-196-080	CHIP CAPACITOR,0.1-25	A.....
C	312	87-010-374-080	CAP, ELECT 47-10V	A.....
C	315	87-010-404-080	CAP, ELECT 4.7-50V	A.....
C	316	87-010-404-080	CAP, ELECT 4.7-50V	A.....
C	319	87-010-545-080	CAP, ELECT 0.22-50V	A.....
C	311	87-012-393-080	C-CAP,S 0.22-16 R K	A.....
C	320	87-010-196-080	CHIP CAPACITOR,0.1-25	A.....
C	321	87-010-263-080	CAP, ELECT 100-10V	A.....
C	401	87-010-196-080	CHIP CAPACITOR,0.1-25	A.....
C	403	87-010-401-080	CAP, ELECT 1-50V	A.....
C	402	87-010-404-080	CAP, ELECT 4.7-50V	A.....
CN	101	87-A60-057-010	CONN,11P V 9604S-11C	A.....
CN	105	87-A60-627-010	CONN,10P V 2MM JMT	A.....
CN	102	87-A60-627-010	CONN,10P V 2MM JMT	A.....
CN	103	88-AR1-658-010	CONN ASSY,2P (AC-3)	A.....
D	101	87-A40-291-080	DIODE,1N4148 (CPT)	A.....
D	301	87-017-931-080	ZENER,MTZJ5.6B	A.....
D	402	87-A40-291-080	DIODE,1N4148 (CPT)	A.....
D	401	87-A40-291-080	DIODE,1N4148 (CPT)	A.....
D	403	87-A40-291-080	DIODE,1N4148 (CPT)	A.....
D	404	87-A40-348-080	ZENER,MTZJ3.3A	A.....
FB	103	87-008-372-080	FILTER, EMI BL OIRNI	A.....
FB	106	87-008-372-080	FILTER, EMI BL OIRNI	A.....
FB	105	87-008-372-080	FILTER, EMI BL OIRNI	A.....
FB	104	87-008-372-080	FILTER, EMI BL OIRNI	A.....
FB	102	87-008-372-080	FILTER, EMI BL OIRNI	A.....
FB	107	87-008-474-080	F-BEAD,EMI BL02RN1	A.....
FB	109	87-008-474-080	F-BEAD,EMI BL02RN1	A.....
FB	108	87-008-474-080	F-BEAD,EMI BL02RN1	A.....
IC	106	87-017-022-080	IC,NJM2068M-D(T1)	A.....
IC	107	87-017-022-080	IC,NJM2068M-D(T1)	A.....
IC	105	87-017-022-080	IC,NJM2068M-D(T1)	A.....
IC	108	87-020-784-080	IC,TC4053BF	A.....
IC	109	87-020-784-080	IC,TC4053BF	A.....
IC	103	87-020-903-010	IC,NJM7805FA	A.....
IC	101	87-A20-823-010	C-IC,YSS248	A.....
IC	102	87-A20-824-010	C-IC,CS4226	A.....
IC	118	87-001-604-080	IC,TC74HCU04F	A.....
IC	110	87-017-022-080	IC,NJM2068M-D(T1)	A.....
IC	112	87-017-022-080	IC,NJM2068M-D(T1)	A.....
IC	114	87-017-022-080	IC,NJM2068M-D(T1)	A.....
IC	113	87-017-022-080	IC,NJM2068M-D(T1)	A.....
IC	111	87-017-022-080	IC,NJM2068M-D(T1)	A.....
IC	119	87-020-784-080	IC,TC4053BF	A.....
IC	115	87-A20-870-010	IC,GP1F37R	A.....
IC	117	87-A21-018-040	C-IC,M65849BFP631D	A.....
IC	121	87-002-298-080	IC,TC74HC00AF	A.....
IC	120	87-017-022-080	IC,NJM2068M-D(T1)	A.....
J	101	87-A60-573-010	JACK,PIN 1P ORN	A.....
L	106	87-003-097-080	COIL,1UH	A.....
L	103	87-005-274-080	COIL,68UH K LAL03	A.....
L	105	87-008-501-080	FLTR,DSS306-B101	A.....
L	104	87-008-501-080	FLTR,DSS306-B101	A.....
L	102	87-A50-095-010	COIL,68UH RCR875D	A.....
Q	102	87-A30-071-080	C-TR,RT1N 144C	A.....
Q	105	87-A30-071-080	C-TR,RT1N 144C	A.....
Q	103	87-A30-071-080	C-TR,RT1N 144C	A.....
Q	101	87-A30-071-080	C-TR,RT1N 144C	A.....
Q	106	87-A30-075-080	C-TR,2SA1235F	A.....
Q	107	87-A30-257-080	C-TR,2SD1306E	A.....
Q	404	87-026-608-080	C-TR,DTC 123 JK	A.....
Q	405	87-A30-076-080	C-TR,2SC3052F	A.....
Q	401	87-A30-076-080	C-TR,2SC3052F	A.....
Q	402	87-A30-076-080	C-TR,2SC3052F	A.....
Q	403	87-A30-076-080	C-TR,2SC3052F	A.....
X	102	87-A70-115-010	VIB,XTAL 12.288MHZ	A.....
X	101	87-A70-116-010	VIB,XTAL 10.00MHZ	A.....
C	812	87-010-071-080	CAP, ELECT 1-50 M 5L SRE	A.....
C	818	87-010-154-080	CAP CHIP 10P	A.....
C	819	87-010-154-080	CAP CHIP 10P	A.....
C	827	87-010-154-080	CAP CHIP 10P	A.....
C	826	87-010-196-080	CHIP CAPACITOR,0.1-25	A.....
C	824	87-010-408-080	CAP, ELECT 47-50V	A.....
C	828	87-010-408-080	CAP, ELECT 47-50V	A.....
C	839	87-010-154-080	CAP CHIP 10P	A.....
C	833	87-010-401-080	CAP, ELECT 1-50V	A.....
C	832	87-010-415-080	CAP ELE SRE 10-50V	A.....
C	846	87-010-154-080	CAP CHIP 10P	A.....
C	844	87-010-196-080	CHIP CAPACITOR,0.1-25	A.....
C	845	87-010-196-080	CHIP CAPACITOR,0.1-25	A.....

# ELECTRICAL MAIN PARTS LIST - 10/11

C	842	87-010-401-080	CAP, ELECT 1-50V	A.....
CC	854	87-010-196-080	CHIP CAPACITOR, 0.1-25	A.....
CC	850	87-010-196-080	CHIP CAPACITOR, 0.1-25	A.....
CC	851	87-010-378-080	CAP, ELECT 10-16V	A.....
CC	852	87-010-378-080	CAP, ELECT 10-16V	A.....
CNA	812	88-805-103-420	CONN ASSY, 10P	A.....
CNA	811	88-805-103-440	CONN ASSY, 10P	A.....
D	301	87-A40-347-080	ZENER, MTZJ2.2B	A.....
D	802	87-A40-347-080	ZENER, MTZJ2.2B	A.....
IC	813	87-070-391-040	IC, BA4558F	A.....
IC	812	87-A21-111-040	C-IC, M62495FP	A.....
IC	811	87-A21-111-040	C-IC, M62495FP	A.....
Q	810	87-A30-257-080	C-TR, 2SD1306E	A.....
R	801	87-A00-401-050	RES, M/F 390-1W J VTP	A.....
RR	803	87-A00-402-050	RES, M/F 560-1W J VTP	A.....
R	802	87-A00-402-050	RES, M/F 560-1W J VTP	A.....
CC	205	87-010-186-080	CAP, CHIP 4700P	A.....
CC	206	87-010-186-080	CAP, CHIP 4700P	A.....
CC	209	87-010-322-080	C-CAP, S 100P-50 CH	A.....
CC	203	87-010-404-080	CAP, ELECT 4.7-50V	A.....
CC	204	87-010-404-080	CAP, ELECT 4.7-50V	A.....
CC	207	87-010-406-080	CAP, ELECT 22-50	A.....
CC	208	87-010-406-080	CAP, ELECT 22-50	A.....
CC	212	87-010-260-080	CAP, ELECT 47-25V	A.....
CC	211	87-010-260-080	CAP, ELECT 47-25V	A.....
CC	210	87-010-322-080	C-CAP, S 100P-50 CH	A.....
CC	214	87-A10-516-080	C-CAP, S 100P-200 J CH	A.....
CC	213	87-A10-516-080	C-CAP, S 100P-200 J CH	A.....
CC	219	87-A10-712-080	C-CAP, S 0.22-50 Z F	A.....
CC	222	87-010-186-080	CAP, CHIP 4700P	A.....
CC	221	87-010-186-080	CAP, CHIP 4700P	A.....
CC	220	87-A10-712-080	C-CAP, S 0.22-50 Z F	A.....
CC	299	87-010-197-080	CAP, CHIP 0.01 DM	A.....
CC	306	87-010-187-080	CAP CHIP S5600P	A.....
CC	305	87-010-187-080	CAP CHIP S5600P	A.....
CC	309	87-010-322-080	C-CAP, S 100P-50 CH	A.....
CC	303	87-010-404-080	CAP, ELECT 4.7-50V	A.....
CC	304	87-010-404-080	CAP, ELECT 4.7-50V	A.....
CC	308	87-010-406-080	CAP, ELECT 22-50	A.....
CC	307	87-010-406-080	CAP, ELECT 22-50	A.....
CC	313	87-010-260-080	CAP, ELECT 47-25V	A.....
CC	314	87-010-260-080	CAP, ELECT 47-25V	A.....
CC	310	87-010-322-080	C-CAP, S 100P-50 CH	A.....
CC	319	87-A10-712-080	C-CAP, S 0.22-50 Z F	A.....
CC	311	87-A10-946-080	C-CAP, S 220P-100 J CH	A.....
CC	312	87-A10-946-080	C-CAP, S 220P-100 J CH	A.....
CC	321	87-010-186-080	CAP, CHIP 4700P	A.....
CC	322	87-010-186-080	CAP, CHIP 4700P	A.....
CC	320	87-A10-712-080	C-CAP, S 0.22-50 Z F	A.....
CC	351	87-010-178-080	CHIP CAP 1000P	A.....
CC	352	87-010-178-080	CHIP CAP 1000P	A.....
CC	405	87-010-177-080	C-CAP, S 820P-50 SL	A.....
CC	409	87-010-322-080	C-CAP, S 100P-50 CH	A.....
CC	403	87-010-404-080	CAP, ELECT 4.7-50V	A.....
CC	407	87-010-406-080	CAP, ELECT 22-50	A.....
CC	413	87-010-260-080	CAP, ELECT 47-25V	A.....
CC	419	87-A10-712-080	C-CAP, S 0.22-50 Z F	A.....
CC	411	87-A10-946-080	C-CAP, S 220P-100 J CH	A.....
CC	421	87-010-186-080	CAP, CHIP 4700P	A.....
CC	502	87-012-368-080	C-CAP, S 0.1-50 F	A.....
CC	501	87-016-299-080	CAP, E 10-100 SME	A.....
CC	503	87-016-299-080	CAP, E 10-100 SME	A.....
CN	101	87-A60-727-010	CONN, 13P JL-R	A.....
CN	102	87-A60-727-010	CONN, 13P JL-R	A.....
CN	104	87-A60-937-010	CONN, 2P V VH	A.....
CN	103	8Z-NF3-642-010	CONN ASSY, 2P V WHT 5 CH AMP	A.....
D	205	87-020-465-080	DIODE, 1SS133 (110MA)	A.....
D	206	87-020-465-080	DIODE, 1SS133 (110MA)	A.....
D	202	87-020-465-080	DIODE, 1SS133 (110MA)	A.....
D	201	87-020-465-080	DIODE, 1SS133 (110MA)	A.....
D	209	87-020-465-080	DIODE, 1SS133 (110MA)	A.....
D	208	87-A40-488-080	DIODE, 1SS244	A.....
D	207	87-A40-488-080	DIODE, 1SS244	A.....
D	212	87-020-331-080	CHIP-DIODE, DAN202K	A.....
D	210	87-020-465-080	DIODE, 1SS133 (110MA)	A.....
D	293	87-020-465-080	DIODE, 1SS133 (110MA)	A.....
D	297	87-020-465-080	DIODE, 1SS133 (110MA)	A.....
D	298	87-020-465-080	DIODE, 1SS133 (110MA)	A.....
D	294	87-020-465-080	DIODE, 1SS133 (110MA)	A.....
D	296	87-020-465-080	DIODE, 1SS133 (110MA)	A.....
D	295	87-020-465-080	DIODE, 1SS133 (110MA)	A.....
D	299	87-020-465-080	DIODE, 1SS133 (110MA)	A.....
D	305	87-020-465-080	DIODE, 1SS133 (110MA)	A.....
D	307	87-020-465-080	DIODE, 1SS133 (110MA)	A.....
D	308	87-020-465-080	DIODE, 1SS133 (110MA)	A.....
D	302	87-020-465-080	DIODE, 1SS133 (110MA)	A.....
D	306	87-020-465-080	DIODE, 1SS133 (110MA)	A.....
D	301	87-020-465-080	DIODE, 1SS133 (110MA)	A.....
D	309	87-A40-488-080	DIODE, 1SS244	A.....
D	312	87-A40-270-080	C-DIODE, MC2838	A.....
D	310	87-A40-488-080	DIODE, 1SS244	A.....
D	405	87-020-465-080	DIODE, 1SS133 (110MA)	A.....

# ELECTRICAL MAIN PARTS LIST - 11/11

D	401	87-020-465-080	DIODE,1SS133 (110MA)	A.....
D	409	87-020-465-080	DIODE,1SS133 (110MA)	A.....
D	407	87-020-465-080	DIODE,1SS133 (110MA)	A.....
D	411	87-A40-488-080	DIODE,1SS244	A.....
D	501	87-070-136-080	ZENER,MTZJ5.1B	A.....
D	503	87-A40-345-080	ZENER,MTZJ10C	A.....
D	509	87-A40-345-080	ZENER,MTZJ10C	A.....
D	502	87-A40-620-080	ZENER,MTZJ6.2A	A.....
D	504	87-A40-646-010	DIODE,FMB-G16L	A.....
D	507	87-A40-646-010	DIODE,FMB-G16L	A.....
D	510	87-020-465-080	DIODE,1SS133 (110MA)	A.....
D	512	87-020-465-080	DIODE,1SS133 (110MA)	A.....
D	513	87-020-465-080	DIODE,1SS133 (110MA)	A.....
D	514	87-020-465-080	DIODE,1SS133 (110MA)	A.....
D	511	87-020-465-080	DIODE,1SS133 (110MA)	A.....
Q	203	87-A30-076-080	C-TR,2SC3052F	A.....
Q	205	87-A30-076-080	C-TR,2SC3052F	A.....
Q	204	87-A30-076-080	C-TR,2SC3052F	A.....
Q	206	87-A30-076-080	C-TR,2SC3052F	A.....
Q	209	87-A30-190-080	TR,CC5551	A.....
Q	207	87-A30-268-040	C-TR,2SA1514K(S)	A.....
Q	201	87-A30-268-040	C-TR,2SA1514K(S)	A.....
Q	202	87-A30-268-040	C-TR,2SA1514K(S)	A.....
Q	208	87-A30-268-040	C-TR,2SA1514K(S)	A.....
Q	210	87-A30-190-080	TR,CC5551	A.....
Q	225	87-A30-076-080	C-TR,2SC3052F	A.....
Q	226	87-A30-076-080	C-TR,2SC3052F	A.....
Q	223	87-A30-076-080	C-TR,2SC3052F	A.....
Q	224	87-A30-076-080	C-TR,2SC3052F	A.....
Q	221	87-A30-106-070	C-TR,CMBT5551	A.....
Q	222	87-A30-106-070	C-TR,CMBT5551	A.....
Q	298	87-A30-268-040	C-TR,2SA1514K(S)	A.....
Q	302	87-A30-075-080	C-TR,2SA1235F	A.....
Q	307	87-A30-075-080	C-TR,2SA1235F	A.....
Q	308	87-A30-075-080	C-TR,2SA1235F	A.....
Q	301	87-A30-075-080	C-TR,2SA1235F	A.....
Q	305	87-A30-076-080	C-TR,2SC3052F	A.....
Q	306	87-A30-076-080	C-TR,2SC3052F	A.....
Q	303	87-A30-076-080	C-TR,2SC3052F	A.....
Q	304	87-A30-076-080	C-TR,2SC3052F	A.....
Q	318	87-A30-106-070	C-TR,CMBT5551	A.....
Q	317	87-A30-106-070	C-TR,CMBT5551	A.....
Q	311	87-A30-190-080	TR,CC5551	A.....
Q	312	87-A30-190-080	TR,CC5551	A.....
Q	325	87-A30-076-080	C-TR,2SC3052F	A.....
Q	323	87-A30-076-080	C-TR,2SC3052F	A.....
Q	324	87-A30-076-080	C-TR,2SC3052F	A.....
Q	326	87-A30-076-080	C-TR,2SC3052F	A.....
Q	351	87-A30-257-080	C-TR,2SD1306E	A.....
Q	352	87-A30-257-080	C-TR,2SD1306E	A.....
Q	407	87-A30-075-080	C-TR,2SA1235F	A.....
Q	401	87-A30-075-080	C-TR,2SA1235F	A.....
Q	403	87-A30-076-080	C-TR,2SC3052F	A.....
Q	405	87-A30-076-080	C-TR,2SC3052F	A.....
Q	417	87-A30-106-070	C-TR,CMBT5551	A.....
Q	411	87-A30-190-080	TR,CC5551	A.....
Q	423	87-A30-076-080	C-TR,2SC3052F	A.....
Q	425	87-A30-076-080	C-TR,2SC3052F	A.....
Q	503	87-A30-072-080	C-TR,RT1P 144C	A.....
Q	506	87-A30-074-080	C-TR,RT1P 141C	A.....
Q	505	87-A30-075-080	C-TR,2SA1235F	A.....
Q	504	87-A30-076-080	C-TR,2SC3052F	A.....
Q	501	87-A30-186-010	FET,2SK3053	A.....
Q	502	87-A30-186-010	FET,2SK3053	A.....
Q	507	87-A30-268-040	C-TR,2SA1514K(S)	A.....
Q	601	87-A30-074-080	C-TR,RT1P 141C	A.....
Q	602	87-A30-268-040	C-TR,2SA1514K(S)	A.....
R	225	87-A00-418-010	RES,M/F 0.15-3W J	A.....
R	226	87-A00-418-010	RES,M/F 0.15-3W J	A.....
R	228	87-A00-418-010	RES,M/F 0.15-3W J	A.....
R	227	87-A00-418-010	RES,M/F 0.15-3W J	A.....
R	239	87-A00-418-010	RES,M/F 0.15-3W J	A.....
R	242	87-A00-418-010	RES,M/F 0.15-3W J	A.....
R	325	87-A00-258-080	RES,M/F 0.22-1W J	A.....
R	328	87-A00-258-080	RES,M/F 0.22-1W J	A.....
R	327	87-A00-258-080	RES,M/F 0.22-1W J	A.....
R	326	87-A00-258-080	RES,M/F 0.22-1W J	A.....
R	339	87-A00-258-080	RES,M/F 0.22-1W J	A.....
R	340	87-A00-258-080	RES,M/F 0.22-1W J	A.....
R	427	87-A00-258-080	RES,M/F 0.22-1W J	A.....
R	429	87-A00-258-080	RES,M/F 0.22-1W J	A.....
R	441	87-A00-258-080	RES,M/F 0.22-1W J	A.....
TH	201	87-A91-042-080	C-THMS,100K 55001	A.....
TH	202	87-A91-042-080	C-THMS,100K 55001	A.....
TH	302	87-A91-042-080	C-THMS,100K 55001	A.....
TH	301	87-A91-042-080	C-THMS,100K 55001	A.....
TH	401	87-A91-042-080	C-THMS,100K 55001	A.....

# ELECTRICAL MAIN PARTS LIST - 1/3 (TUNER : ZZA-1)

NOTE: The characters in the suffix column indicate the part usage.

URTM	REF.NO	PARTS NO.	XX KANRI NO.	DESCRIPTION	C SUFFIX
C	701	87-010-381-080	0E	CAP, ELECT 330-16V	ABC
C	702	87-010-404-080	0E	CAP, ELECT 4.7-50V	ABC
C	704	87-012-286-080	0E	CAP, U 0.01-25	ABC
C	703	87-012-286-080	0E	CAP, U 0.01-25	ABC
C	711	87-010-260-080	0E	CAP, ELECT 47-25V	ABC
C	711	87-010-553-080	0E	CAP, E 47-16	ABC
C	712	87-010-831-080	0E	C-CAP, U, 0.1-16F	ABC
C	718	87-012-179-080	0E	C-CAP, U 20P-50 CH	.BC
C	714	87-012-286-080	0E	CAP, U 0.01-25	ABC
C	717	87-012-286-080	0E	CAP, U 0.01-25	ABC
C	719	87-012-286-080	0E	CAP, U 0.01-25	ABC
C	727	87-010-196-080	0E	CHIP CAPACITOR, 0.1-25	ABC
C	728	87-010-248-080	0E	CAP, ELECT 220-10V	ABC
C	721	87-012-176-080	0E	CAP 15P	ABC
C	722	87-012-176-080	0E	CAP 15P	ABC
C	720	87-012-195-080	0E	C-CAP, U 100P-50CH	ABC
C	729	87-012-274-080	0E	CHIP CAP, U 1000P-50B	ABC
C	725	87-018-131-080	0E	CAP, CER 1000P-50V	ABC
CN	701	87-A60-650-010	1A	CONN, 16P H GRY TUC-P16X-C1	ABC
CN	701	87-A60-700-010	0E	CONN, 13P H GRY TUC-P13X-C1	ABC
D	721	87-017-149-080	0E	ZENER, HZS6A2L	.BC
D	722	87-020-465-080	0E	DIODE, 1SS133 (110MA)	ABC
D	721	87-A40-234-080	0E	ZENER, MTZJ5.6A	A
IC	721	87-070-127-110	1C	IC, LC72131 D	ABC
Q	713	87-A30-072-080	0E	C-TR, RT1P 144C	ABC
Q	712	87-A30-072-080	0E	C-TR, RT1P 144C	ABC
Q	711	87-A30-196-080	0E	TR, 2SC4115SRS	A
Q	711	87-A30-234-080	0E	TR, CSC4115BC	.BC
X	721	87-A70-061-010	1A	VIB, XTAL 4.500MHZ CSA-309	ABC
C	872	87-010-400-080	0E	CAP, ELECT 0.47-50V	AB
C	873	87-010-404-080	0E	CAP, ELECT 4.7-50V	AB
C	877	87-012-278-080	0E	C-CAP, U 2200P-50 B	AB
C	878	87-012-278-080	0E	C-CAP, U 2200P-50 B	AB
C	889	87-010-248-080	0E	CAP, ELECT 220-10V	AB
C	884	87-010-260-080	0E	CAP, ELECT 47-25V	AB
C	883	87-010-404-080	0E	CAP, ELECT 4.7-50V	AB
C	885	87-010-545-080	0E	CAP, ELECT 0.22-50V	A
C	886	87-010-545-080	0E	CAP, ELECT 0.22-50V	A
C	888	87-010-787-080	0E	CAP, U 0.022-25	AB
C	881	87-012-141-080	0E	CHIP-CAPACITOR, 0.22-16F	AB
C	882	87-012-172-080	0E	CAPACITOR CHIP U 10P CH	AB
C	887	87-012-286-080	0E	CAP, U 0.01-25	AB
C	885	87-016-460-080	0E	C-CAP, S 0.22-16 B	.B
C	886	87-016-460-080	0E	C-CAP, S 0.22-16 B	.B
IC	871	87-070-060-040	1F	IC, TA2040AF	AB
X	873	87-026-226-080	0E	CHIP-TR, DTA143EK	AB
X	891	87-030-394-010	1B	VIB, CER CSA3.6MGF228	AB
C	705	87-010-213-080	0E	C-CAP, S 0.015-50 B	ABC
C	706	87-010-213-080	0E	C-CAP, S 0.015-50 B	ABC
C	705	87-A10-592-080	0E	C-CAP, S 0.015-50 J B	.BC
C	706	87-A10-592-080	0E	C-CAP, S 0.015-50 J B	.BC
C	733	87-010-180-080	0E	C-CER 1500P	ABC
C	738	87-010-180-080	0E	C-CER 1500P	ABC
C	737	87-010-180-080	0E	C-CER 1500P	ABC
C	734	87-010-180-080	0E	C-CER 1500P	ABC
C	735	87-010-213-080	0E	C-CAP, S 0.015-50 B	ABC
C	736	87-010-213-080	0E	C-CAP, S 0.015-50 B	ABC
C	736	87-010-987-080	0E	C-CAP, S 1500P-50 CH	.BC
C	733	87-010-987-080	0E	C-CAP, S 1500P-50 CH	.BC
C	735	87-010-987-080	0E	C-CAP, S 1500P-50 CH	.BC
C	734	87-010-987-080	0E	C-CAP, S 1500P-50 CH	.BC
C	734	87-012-280-080	0E	CAP, U 3300P-50	ABC
C	733	87-012-280-080	0E	CAP, U 3300P-50	ABC
C	738	87-A10-592-080	0E	C-CAP, S 0.015-50 J B	.BC
C	737	87-A10-592-080	0E	C-CAP, S 0.015-50 J B	.BC
C	752	87-010-220-080	0E	C-CAP, S 0.018-25 B	.B
C	751	87-010-220-080	0E	C-CAP, S 0.018-25 B	.B
C	758	87-012-167-080	0E	C-CAP, U 5P-50 CH	ABC
C	757	87-012-188-080	0E	C-CAP, U 47P-50 CH	ABC
C	753	87-012-195-080	0E	C-CAP, U 100P-50CH	ABC
C	752	87-012-282-080	0E	CAP, U 4700P-50	ABC
C	756	87-012-286-080	0E	CAP, U 0.01-25	ABC
C	751	87-012-365-080	0E	C-CAP, S 0.027-25VBK	.C
C	752	87-012-365-080	0E	C-CAP, S 0.027-25VBK	.C
C	766	87-010-197-080	0E	CAP, CHIP 0.01 DM	ABC
C	769	87-010-260-080	0E	CAP, ELECT 47-25V	ABC
C	768	87-012-286-080	0E	CAP, U 0.01-25	ABC
C	765	87-012-286-080	0E	CAP, U 0.01-25	ABC
C	764	87-012-337-080	0E	C-CAP, U 56P-50 CH	ABC
C	774	87-010-263-080	0E	CAP, ELECT 100-10V	ABC
C	771	87-010-383-080	0E	CAP, ELECT 33-25V	ABC
C	777	87-010-400-080	0E	CAP, ELECT 0.47-50V	ABC
C	775	87-010-404-080	0E	CAP, ELECT 4.7-50V	ABC
C	777	87-010-493-040	0E	CAP, E 0.47-50 GAS	ABC
C	777	87-010-493-080	0E	CAP, E 0.47-50 GAS	ABC
C	770	87-010-829-080	0E	CAP, U 0.047-16	ABC

ELECTRICAL MAIN PARTS LIST - 2/3 (TUNER : ZZA-1)

C	780	87-010-196-080	0E	CHIP CAPACITOR,0.1-25	ABC.....
C	786	87-010-401-080	0E	CAP, ELECT 1-50V	ABC.....
C	785	87-010-401-080	0E	CAP, ELECT 1-50V	ABC.....
C	786	87-010-405-080	0E	CAP, ELECT 10-50V	ABC.....
C	785	87-010-405-080	0E	CAP, ELECT 10-50V	ABC.....
C	785	87-010-494-080	0E	CAP ELECT GAS 1/50	.....
C	786	87-010-494-080	0E	CAP ELECT GAS 1/50	.....
C	787	87-012-275-080	0E	C-CAP,U 1200P-50 B	ABC.....
C	788	87-012-275-080	0E	C-CAP,U 1200P-50 B	ABC.....
C	784	87-012-286-080	0E	CAP, U 0.01-25	ABC.....
C	796	87-010-403-080	0E	CAP, ELECT 3.3-50V	ABC.....
C	794	87-010-406-080	0E	CAP, ELECT 22-50	ABC.....
C	795	87-010-596-080	0E	CAP, S 0.047-16	..C.....
C	793	87-012-273-080	0E	C-CAP,U 820P-50 B	ABC.....
C	797	87-012-276-080	0E	CAP, CHIP SS 1500 PBK	A.....
C	798	87-012-276-080	0E	CAP, CHIP SS 1500 PBK	A.....
D	771	87-020-465-080	0E	DIODE,1SS133 (110MA)	ABC.....
D	773	87-A40-291-080	0E	DIODE,1N4148 (CPT)	.....
IC	771	87-A20-913-010	1D	IC,LA1837NL	ABC.....
L	771	87-A50-266-010	1A	COIL,FM DET-2N(TOK)	ABC.....
L	772	87-A90-052-010	1C	FLTR,CFMT-450A(TOK)	.....
L	772	87-A90-053-010	1C	FLTR,PCFMT-060(TOK)	AB.....
L	772	87-A90-733-010	1A	FLTR,PCFAZH-450 (TOK)	.....
L	772	87-A91-110-010	FLTR,PCFJZH-450 (TOK)	.....	..C.....
L	781	87-005-847-080	0E	COIL,2.2UH(CECS)	.....
L	792	87-A50-027-010	1A	COIL,1 POLE MPX(TOK)	.....
L	791	87-A50-027-010	1A	COIL,1 POLE MPX(TOK)	.....
X	771	87-030-354-010	1A	VIB,CF BFU 450C	.....
C	859	87-012-286-080	0E	CAP, U 0.01-25	.....
C	865	87-010-196-080	0E	CHIP CAPACITOR,0.1-25	.....
C	866	87-010-405-080	0E	CAP, ELECT 10-50V	.....
C	864	87-010-405-080	0E	CAP, ELECT 10-50V	.....
C	869	87-012-180-080	0E	C-CAP,U 22P-50 CH	.....
C	868	87-012-184-080	0E	C-CAP,U 33P-50 CH	.....
C	862	87-012-199-080	0E	CAP 220P	.....
C	861	87-012-199-080	0E	CAP 220P	.....
C	863	87-012-270-080	0E	CAP, U 470P-50	.....
C	867	87-012-286-080	0E	CAP, U 0.01-25	.....
IC	851	87-A20-440-040	1H	C-IC,BU1920FS	.....
L	851	87-005-847-080	0E	COIL,2.2UH(CECS)	.....
Q	853	87-A30-076-080	0E	C-TR,2SC3052F	.....
X	851	87-A70-091-010	1B	VIB,XTAL 4.332MHZ CSA-309	.....
C	820	87-010-260-080	0E	CAP, ELECT 47-25V	ABC.....
C	942	87-012-172-080	0E	CAPACITOR CHIP U 10P CH	.....
C	941	87-012-180-080	0E	C-CAP,U 22P-50 CH	.....
C	947	87-012-286-080	0E	CAP, U 0.01-25	ABC.....
C	940	87-012-286-080	0E	CAP, U 0.01-25	ABC.....
C	944	87-014-049-080	0E	CAP,PP 470P-100 J	.....
C	944	87-014-051-080	0E	CAPACITOR (PP), 560P	.....
C	949	87-A10-039-080	0E	C-CAP,U 470P-50 J CH	.....
C	958	87-010-197-080	0E	CAP, CHIP 0.01 DM	.....
C	956	87-010-263-080	0E	CAP, ELECT 100-10V	.....
C	959	87-010-831-080	0E	C-CAP,U,0.1-16F	.....
C	952	87-012-286-080	0E	CAP, U 0.01-25	ABC.....
C	954	87-012-358-080	0E	C-CAP,S 0.47-10 F Z	.....
C	950	87-014-073-080	0E	CAP,PP 4700P-100 J	.....
C	963	87-010-196-080	0E	CHIP CAPACITOR,0.1-25	ABC.....
C	962	87-010-401-080	0E	CAP, ELECT 1-50V	.....
C	964	87-012-170-080	0E	C-CAP,U 8P-50 CH	A.....
C	961	87-012-174-080	0E	CAP CHIP CERA SS 12P CHJ	.BC.....
C	960	87-012-350-080	0E	C-CAP,1-25 F	.....
CF	802	82-785-747-010	1A	CF MS2 GHY R	.....
CF	802	87-008-261-010	1A	FILTER, SFE10.7MA5-A	ABC.....
CF	801	87-008-261-010	1A	FILTER, SFE10.7MA5-A	ABC.....
CF	801	87-008-423-010	1A	CERAMIC FILTER, SFE10.7	.....
D	944	87-020-465-080	0E	DIODE,1SS133 (110MA)	.....
D	942	87-A40-270-080	0E	C-DIODE,MC2838	.....
FFE	801	A8-6ZA-190-030	0E	6ZA-1 FEUNM	.....
FFE	801	A8-6ZA-191-130	6ZA-1 FEENM	.....	.....
FFE	801	A8-6ZA-192-030	2Y	6ZA-1 FEJNM	.B.....
FFE	801	A8-6ZA-199-170	6ZA-1 FEENC	.....	.....
FFE	801	A8-6ZA-19A-070	6ZA-1 FEJNC	.....	.....
FFE	801	A8-6ZA-19D-070	1H	6ZA-1 YFEJNC	A.....
FFE	801	A8-8ZA-190-030	8ZA-1 FEUNM	.....	..C.....
FFE	801	A8-8ZA-192-070	8ZA-1 FEUNC	.....	.....
FFE	801	A8-8ZA-193-070	1E	8ZA-1 YFEUNC	.....
J	801	87-033-241-010	1B	TERMINAL,ANT AJ-2039	.....
J	801	87-A60-702-010	1B	TERMINAL,ANT 4P CJ-9036	ABC.....
J	801	87-A60-703-010	1A	TERMINAL,ANT 3P CJ-9037	.....
J	940	81-754-629-010	0E	CONNECTOR, 2P	.....
L	832	87-005-847-080	0E	COIL,2.2UH(CECS)	.....
L	943	87-005-372-080	0E	COIL S 1MHM	.....
L	942	87-A50-019-010	0E	COIL,OSC LW(COI)	.....
L	941	87-A50-020-010	0E	COIL,ANT LW(COI)	.....
L	941	87-A50-022-010	0E	COIL,ANT SW(COI)	.....
L	944	87-A50-159-010	0E	COIL,10MH K C2B	.....
L	942	87-A50-173-010	0E	COIL,OSC SW-N(COI)	.....
L	943	87-A50-432-010	COIL,1MH K CW	.....	.....
L	981	87-A50-430-010	COIL,ANT MW(3BSW)	.....	.....
L	982	87-A50-431-010	COIL,OSC MW(3BSW)	.....	.....
L	981	87-NF4-650-010	1D	COIL,AM PACK 4N(TOK)	A.....
L	981	87-NF4-651-010	1C	COIL,AM PACK2N(TOM)	.....

# ELECTRICAL MAIN PARTS LIST - 3/3 (TUNER : ZZA-1)

L	981	88-NF8-625-110	1D	COIL,AM PACK3N(TOK)	.....
L	981	8Z-ZA1-664-010		COIL,AM PACK 4(TOK)	.BC.....
L	981	8Z-ZA1-665-010		COIL,AM PACK 2(TOK)	.....
Q	712	87-A30-072-080	0E	C-TR,RT1P 144C	ABC.....
Q	805	89-327-143-080	0E	TR,2SC2714 (0.1W)	ABC.....
Q	943	87-A30-075-080	0E	C-TR,2SA1235F	.....
Q	942	87-A30-075-080	0E	C-TR,2SA1235F	.....
Q	949	87-A30-076-080	0E	C-TR,2SC3052F	.....
Q	945	87-A30-076-080	0E	C-TR,2SC3052F	.....
Q	944	87-A30-076-080	0E	C-TR,2SC3052F	.....
Q	948	87-A30-086-070	0E	C-TR,CSD1306E	.....
Q	947	89-503-602-080	1A	C-FET,2SK360E	.....
Q	947	89-505-434-540	0E	C-FET,2SK543(4/5)	.....
Q	951	87-A30-074-080	0E	C-TR,RT1P 141C	.....
SCR	981	87-A40-618-080		VARI-CAP,SVC 348(S/T)	.....
TC	942	87-011-164-010	0E	CAPACITOR,TRIMMER 30P	.....
TC	941	87-011-173-010	1A	CERAMIC TRIMMER 20P	.....
TC	941	87-011-220-080	1A	TRIMMER CAP 20P VTC	.....
TC	943	87-011-221-080	1A	CAP, TRIMMER 30P	.....

# MECHANICAL PARTS LIST - 1/2

NOTE: The characters in the suffix column indicate the part usage.

REF.NO	PARTS NO.	DESCRIPTION	SUFFIX
USTM	XX	KANRI	A
		NO.	
	88-NF3-090-010	RING, FOOT	A
	8Z-NF3-002-010	CABI, FR U	A
	8Z-NF3-009-010	CABI, STEEL	A
	8Z-NF3-024-010	CABI, BOTTOM	A
	8Z-NF3-025-010	BOX, CASS L	A
	8Z-NF3-026-010	BOX, CASS R	A
	8Z-NF3-029-010	PANEL, REAR	A
	8Z-NF3-038-010	PANEL, CD	A
	8Z-NF3-039-010	PANEL, JOG	A
	8Z-NF3-040-010	PANEL ASSY, TRAY	A
	8Z-NF3-046-010	COVER, CD H	A
	8Z-NF3-048-010	COVER, BOTTOM	A
	8Z-NF3-055-010	WINDOW, CASS L	A
	8Z-NF3-056-010	WINDOW, CASS R	A
	8Z-NFD-010-010	CABI, REAR USTNM	A
	8Z-NFD-030-010	PANEL, FR DGT U	A
	8Z-NFD-050-010	WINDOW, DISP DGT U	A
	8Z-NF3-060-010	KEY, GEQ	A
	8Z-NF3-061-010	KEY, DSP	A
	8Z-NF3-063-010	KEY ASSY, OPE	A
	8Z-NF3-073-010	KEY, BBE	A
	8Z-NF3-074-010	KEY, JOG	A
	8Z-NF3-075-010	KEY, TIMER	A
	8Z-NF3-076-010	KEY, CLOCK	A
	8Z-NF3-077-010	KEY, ENTER	A
	8Z-NF3-078-010	KEY, CD	A
	8Z-NF3-079-010	KEY, DIRECT	A
	8Z-NF3-080-010	KEY, OPEN	A
	8Z-NF3-090-010	KNOB, RTRY MAIN	A
	8Z-NF3-091-010	KNOB, RTRY JOG	A
	8Z-NF3-095-010	RING, MAIN	A
	8Z-NF3-096-010	RING, JOG	A
	8Z-NFD-062-010	KEY, FUN DGT	A
	8Z-NFD-070-010	KEY, KARAOKE DGT	A
	81-532-080-010	LABEL, CASS. COMPT	A
	8Z-NF3-105-010	REFLECTOR, CASS	A
	8Z-NF3-106-010	REFLECTOR, FUN	A
	8Z-NF3-107-010	REFLECTOR, JOG	A
	8Z-NF3-108-010	REFLECTOR, ECO	A
	8Z-NF3-643-010	CONN ASSY, 3P PB	A
	8Z-NF3-644-010	CONN ASSY, 8P RPB	A
	84-ZG1-245-210	CAP, OPTICAL	A
	82-NF5-218-010	SPR-T, EJECT 1 (SIN)	A
	82-NF5-219-010	SPR-T, EJECT 2 (SIN)	A
	82-NF5-229-010	PLATE, LOCK	A
	86-NF9-224-010	SPR-C, LOCK	A
	87-064-185-010	HLDR, WIRE	A
	87-NF4-216-010	HLDR, LOCK 1	A
	87-NF4-217-110	HLDR, LOCK 2	A
	87-NF4-221-010	HLDR, CABLE	A
	87-NF8-220-010	DMPR, 150	A
	88-NF5-208-010	HLDR, PWB-M N	A
	8Z-NF3-224-010	HLDR, HT-SINK 1	A
	8Z-NF3-227-010	HLDR, PWB PT	A
	8Z-NF3-228-010	HLDR, HT-SINK R	A
	8Z-NF3-229-010	HLDR, FAN 4CH	A
	8Z-NFD-201-010	HLDR, PWB DIGITAL	A
*	8Z-NF3-213-010	GUIDE, LED DIRECT	A
	87-067-579-010	TAPPING SCREW, BVT2+3-8	A
	87-067-581-010	TAPPING SCREW, BVT2+3-15	A
	87-067-584-010	TAPPING SCREW, BVT2+3-6	A
	87-067-641-010	UTT2+3-8(W/O SLOT)BL	A
	87-067-680-010	BVI T3+3-10	A
	87-067-688-010	BVTT+3-6	A
	87-067-698-010	BVT2+3-18(W/O, SLOT)	A
	87-067-703-010	TAPPING SCREW, BVT2+3-10	A
	87-067-873-010	BVT2+3-25 W/O SLOT	A
	87-067-975-010	S-SCREW, IT+4-8	A
	87-591-095-410	TAPPING SCREW, QIT+3-8 (GLD)	A
	87-721-096-410	QT2+3-10 GLD	A
	87-721-097-410	QT2+3-12 GLD	A
	87-NF4-224-010	S-SCREW, IT3B+3-8 CU	A
	87-085-189-010	BUSHING, CORD (U)	A
	87-A80-110-010	AC CORD ASSY, U SPT-2W	A
	87-A90-562-010	F-BEAD, 9.5-17.5-28.5 BRH	A
	87-A91-080-010	FAN, F614R-12MC-19-400MM	A
	88-906-481-110	FF-CABLE, 6P 1.25 480MM	A
	88-908-181-110	FF-CABLE, 8P 1.25 180MM	A
	88-909-381-110	FF-CABLE, 9P 1.25	A
	88-911-251-110	FF-CABLE, 11P 1.25 250MM	A
	88-915-161-110	FF-CABLE, 15P 1.25	A
	8Z-NF3-646-010	CABLE, FFC 15P-CD	A
C	231	87-018-208-080	CAP 0.047-50F
C	699	87-018-131-080	CAP, CER 1000P-50V
C	992	87-010-314-080	C-CAP, S 22P-50V
D	216	87-020-465-080	DIODE, 1SS133 (110MA)



# MECHANICAL PARTS LIST - 2/2

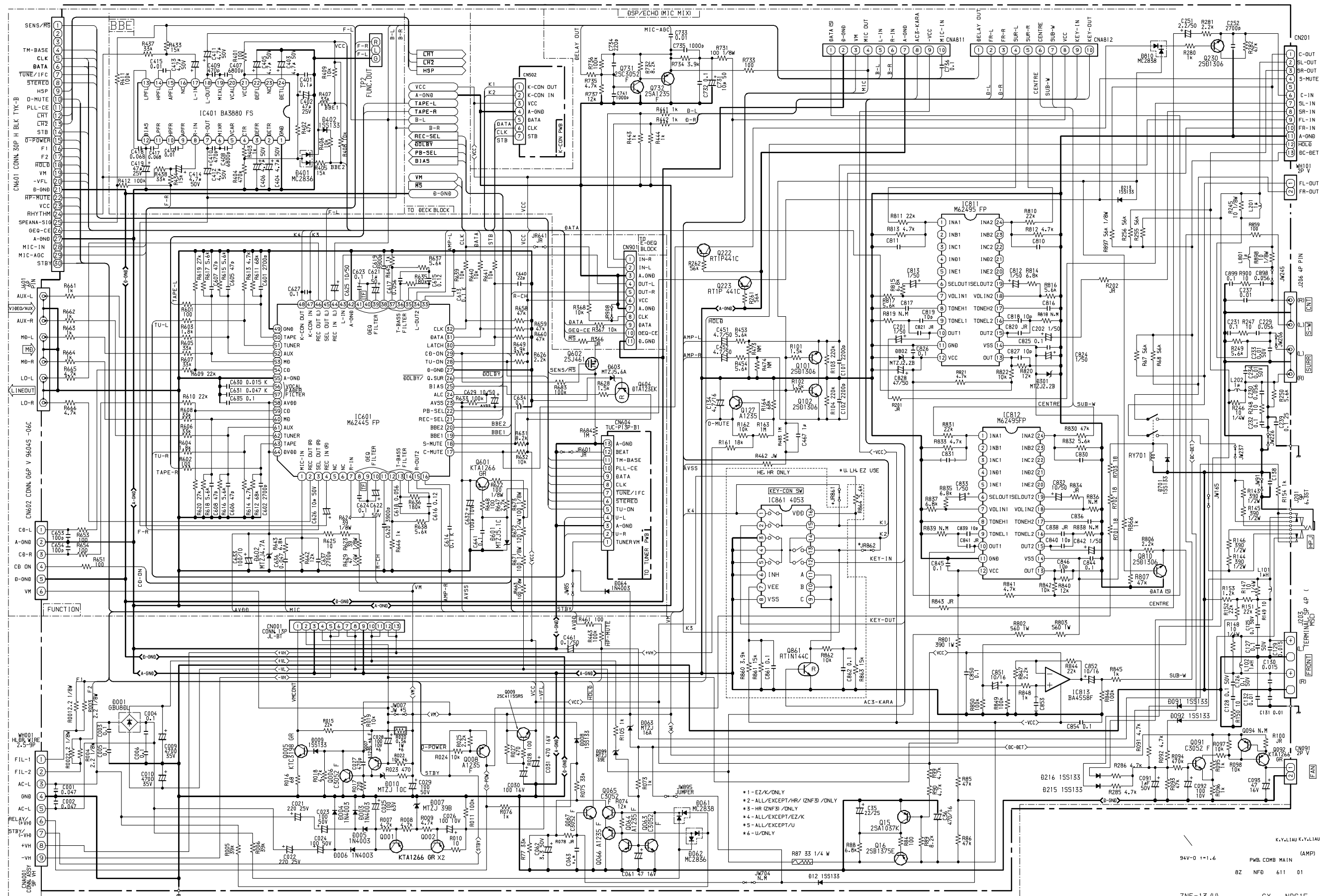
D	215	87-020-465-080	DIODE,1SS133 (110MA)	A.....
D	702	87-A40-392-010	DIODE,1N5818	A.....
D	701	87-A40-392-010	DIODE,1N5818	A.....
F	101	87-035-493-010	FUSE,8A 125V	A.....
FB	901	87-003-223-010	FERRITE BEAD BLO2RN2	A.....
PT	1	8Z-NFP-601-010	PT,U ZNF-23	A.....
Q	102	89-213-702-010	TR,2SB1370 (1.8W)	A.....
Q	101	89-213-702-010	TR,2SB1370 (1.8W)	A.....
Q	218	87-A30-204-010	TR,2SD2439	A.....
Q	217	87-A30-204-010	TR,2SD2439	A.....
Q	216	87-A30-205-010	TR,2SB1588	A.....
Q	215	87-A30-205-010	TR,2SB1588	A.....
Q	314	87-A30-214-010	TR,2SB1344	A.....
Q	313	87-A30-214-010	TR,2SB1344	A.....
Q	315	87-A30-215-010	TR,2SD2025	A.....
Q	316	87-A30-215-010	TR,2SD2025	A.....
Q	413	87-A30-214-010	TR,2SB1344	A.....
Q	415	87-A30-215-010	TR,2SD2025	A.....
		87-067-680-010	BVI T3+3-10	A.....
		87-NB6-212-010	GUIDE,LED L IND	A.....
		8Z-NF3-210-010	GUIDE,FL	A.....
		8Z-NF3-211-010	GUIDE,LED FUN	A.....
		8Z-NF3-212-010	GUIDE,LED OPE	A.....
		87-067-680-010	BVI T3+3-10	A.....
WH	1	87-A90-510-010	HLDR,WIRE 2.5-9P	A.....
WH	101	87-A90-506-010	HLDR,WIRE 2.5-2P	A.....
		87-067-579-010	TAPPING SCREW, BVT2+3-8	A.....
		87-067-703-010	TAPPING SCREW, BVT2+3-10	A.....

# ACCESSORIES / PACKAGE LIST - 1/1

NOTE: The characters in the suffix column indicate the part usage.

REF.NO	PARTS NO.	NO.	DESCRIPTION	SUFFIX
USTM		XX		A
		YØ		
	8Z-NFD-901-010		IB,U (ESF)M	A
	87-006-225-010		AM LOOP ANT NC2	A
	87-043-115-010		ANT,FEEDER FM	A
	8Z-NFD-951-010		RC UNIT,RC- ZAS	A

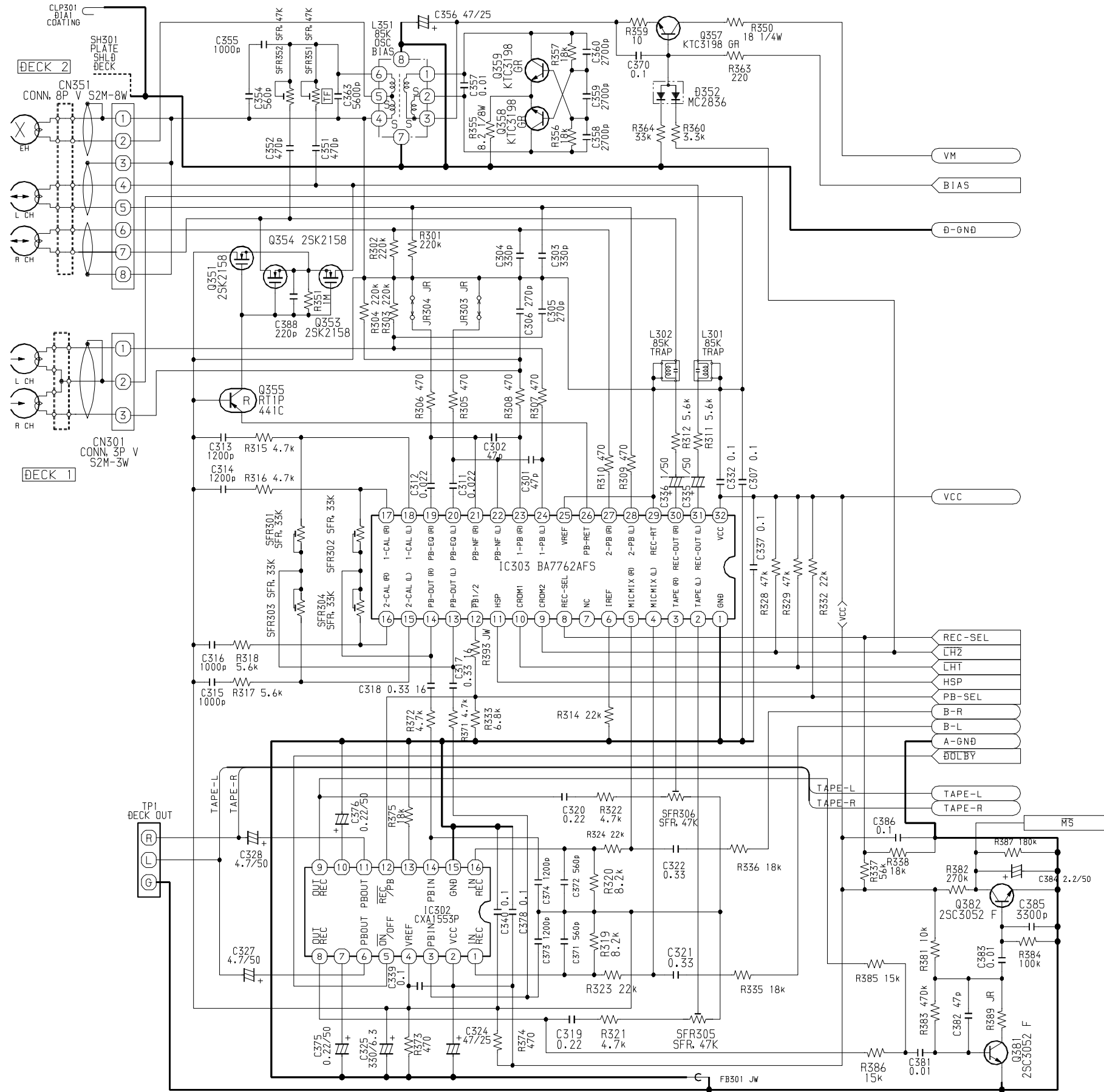
SCHEMATIC DIAGRAM - 1 (MAIN 1/2)



B-ZNF-13MA-RND.P1

K.Y.LIAU K.Y.LIAU  
 94V-D 1\*1.6 (AMP)  
 PWB COMB MAIN  
 8Z NFD 611 01  
 ZNF-13 (U) CX - NDS15  
 24 APR 1999

SCHEMATIC DIAGRAM - 2 (MAIN 2/2)



T-ZNF-3MAIN-ALL (P2)

	WITH DOLBY	W/O_DOLBY (R+R)	W/O_DOLBY (R+1_1+1)
JR303	C-JR	X	X
JR304	C-JR	X	X
C379	X	22/25	22/50
C380	X	22/50	22/50
C313	1200P	1000P	1500P
C314	1200P	1000P	1500P
R315	4.7K	5.6K	5.6K
R316	4.7K	5.6K	5.6K
C315	1000P	1000P	2200P
C316	1000P	1000P	2200P
R317	5.6K	5.6K	5.6K
R318	5.6K	5.6K	5.6K
C391	270P	56P	56P
C392	270P	56P	56P
C393	270P	56P	56P
C394	270P	56P	56P
R395	X	100K	100K
R396	X	100K	100K
R397	X	100K	100K
R398	X	100K	100K
SFR301	33K	X	X
SFR302	33K	X	X
SFR303	33K	X	X
SFR304	33K	X	X
C317	0.33 BK	C-JR	C-JR
C318	0.33 BK	C-JR	C-JR
R371	4.7K	39	39
R372	4.7K	39	39
C375	0.22/50	X	X
C376	0.22/50	X	X
R375	18K	X	X
JR301	X	C-JR	C-JR
JR302	X	C-JR	C-JR

	USE BA7762AFS	USE HA12211
Q360	X	2SK2158
R330	X	C-JR
R331	X	33K
JR336	X	C-JR

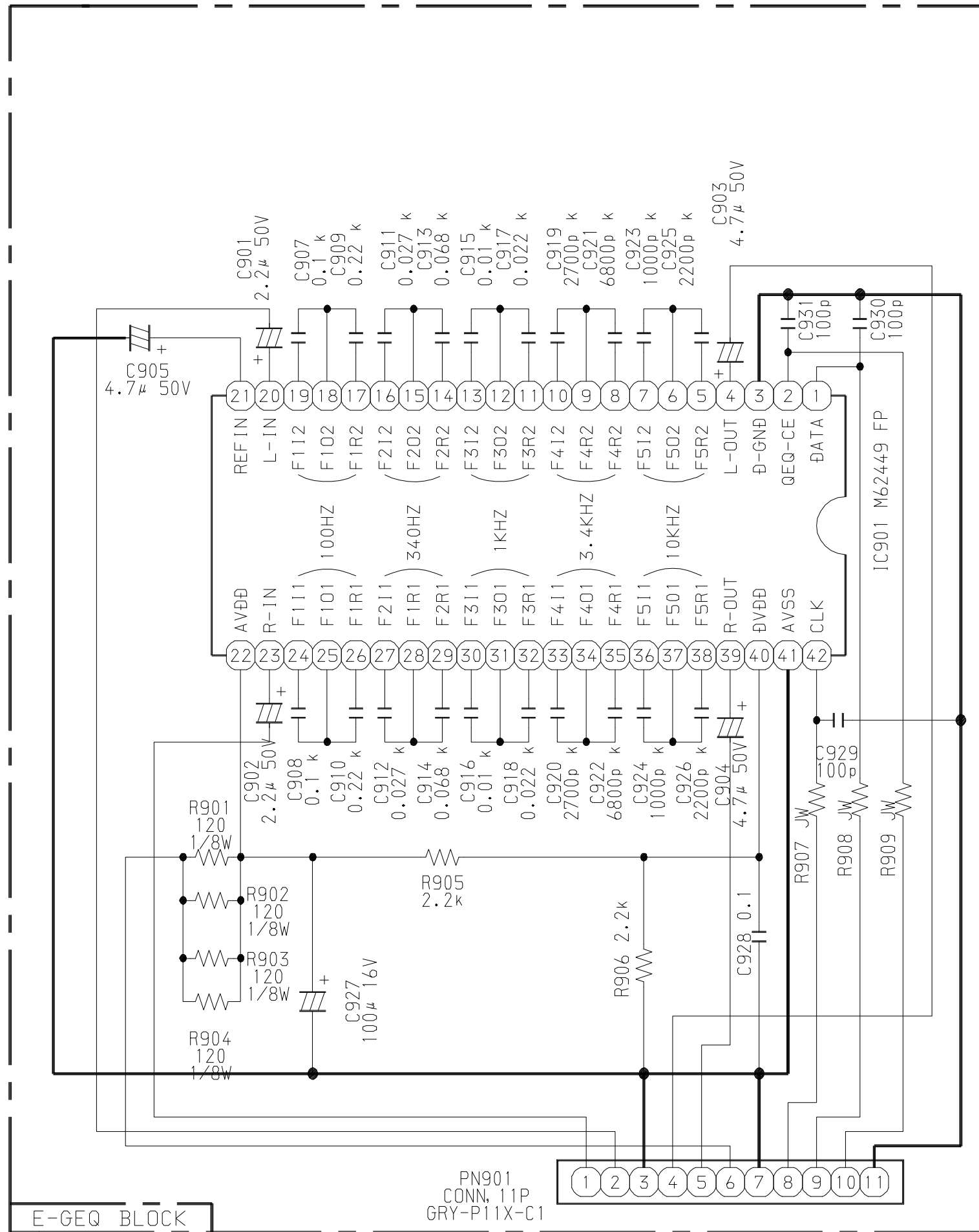
	WITH DOLBY	W/O_DOLBY (R+R+1_1+1)
IC302	CXA1553P	X
C309	X	0.1
C310	X	0.1
C319	0.22	X
C320	0.22	X
R321	4.7K	X
R322	4.7K	X
SFR305	50K	X
SFR306	50K	X
C371	820P	X
C372	820P	X
C373	1200P	0.15
C374	1200P	0.15
R319	4.7K	18K
R320	4.7K	18K
R323	22K	C-JR
R324	22K	C-JR
C321	0.22	0.33
C322	0.22	0.33
R335	27K	22K
R336	27K	22K
R391	X	15K
R392	X	15K
R385	15K	X
R386	15K	X
R383	470K	820K
C387	X	270P
C382	47P	15P
R389	C-JR	6.8K
Q383	X	2SA1235
C385	3300P	X

	EZ K MODEL	EXCEPT EZ K
Q356	2SC3052F	X
R362	4.7K	X
R365	10K	X

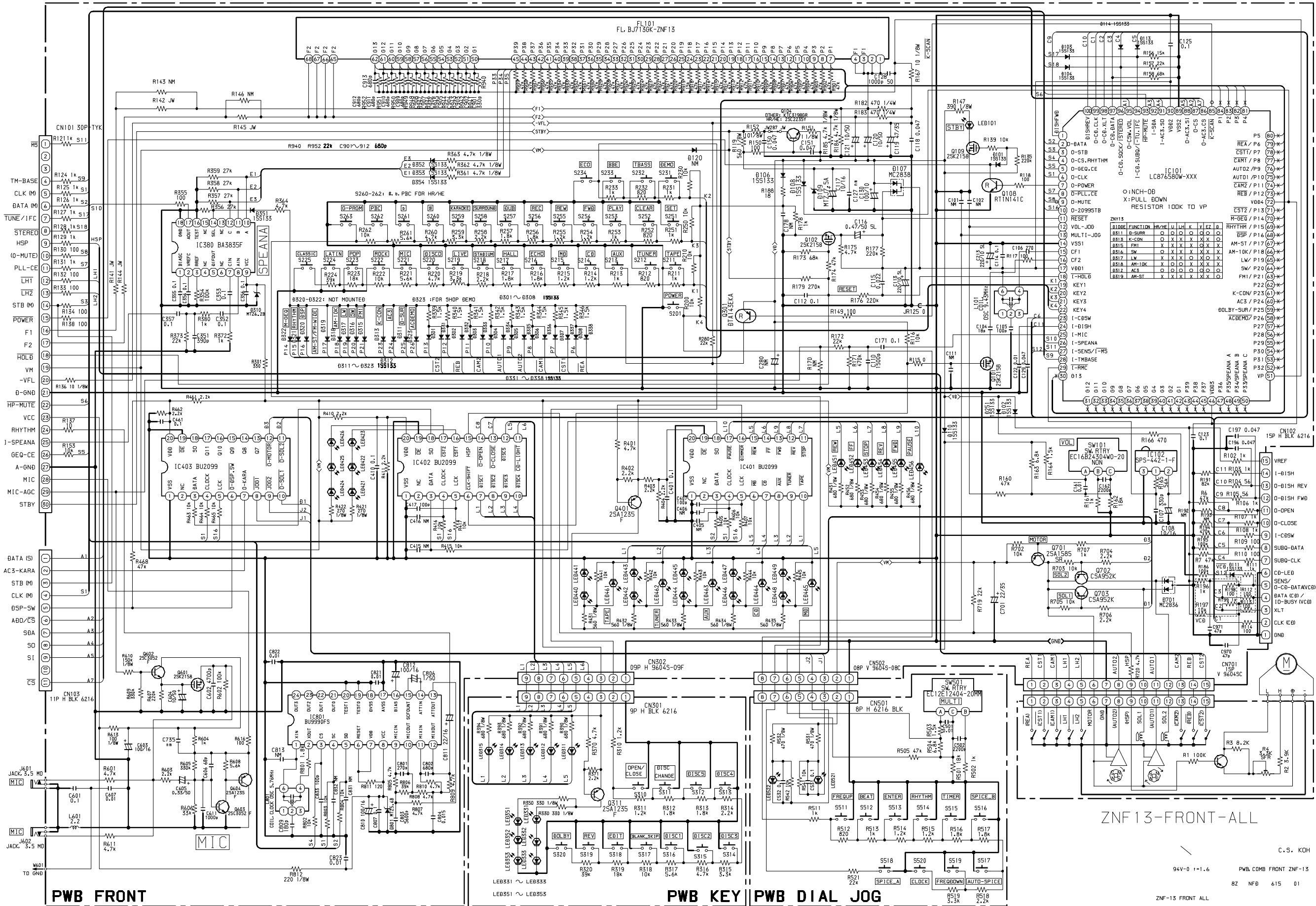
	EZ K MODEL	EXCEPT EZ
FB301	EM1BL01RN1	JW

K. KOMATSU

SCHEMATIC DIAGRAM - 3 (GEQ)



SCHEMATIC DIAGRAM - 4 (FRONT)



ZNF 13-FRONT-ALL

C.S. KOH

94V-0 1+1.6 PWB COMB FRONT ZNF-13

82 NFB 615 01

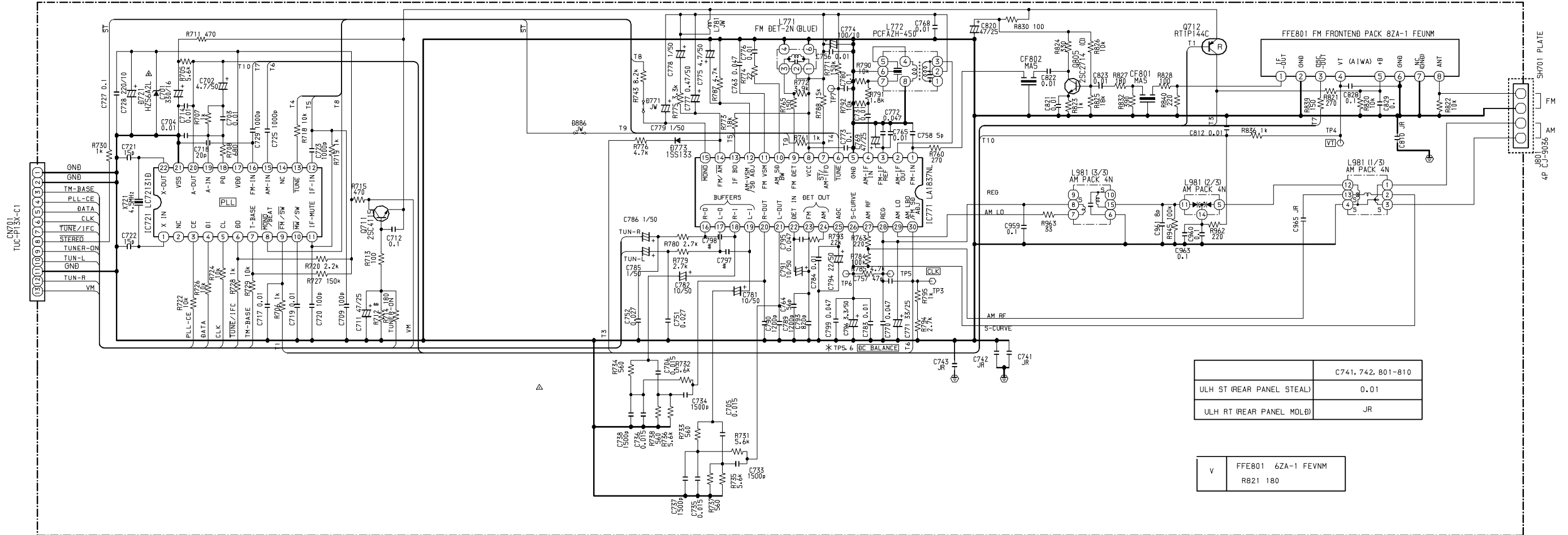
ZNF-13 FRONT ALL  
ZNF-13

PWB FRONT

PWB KEY

PWB DIAL JOG

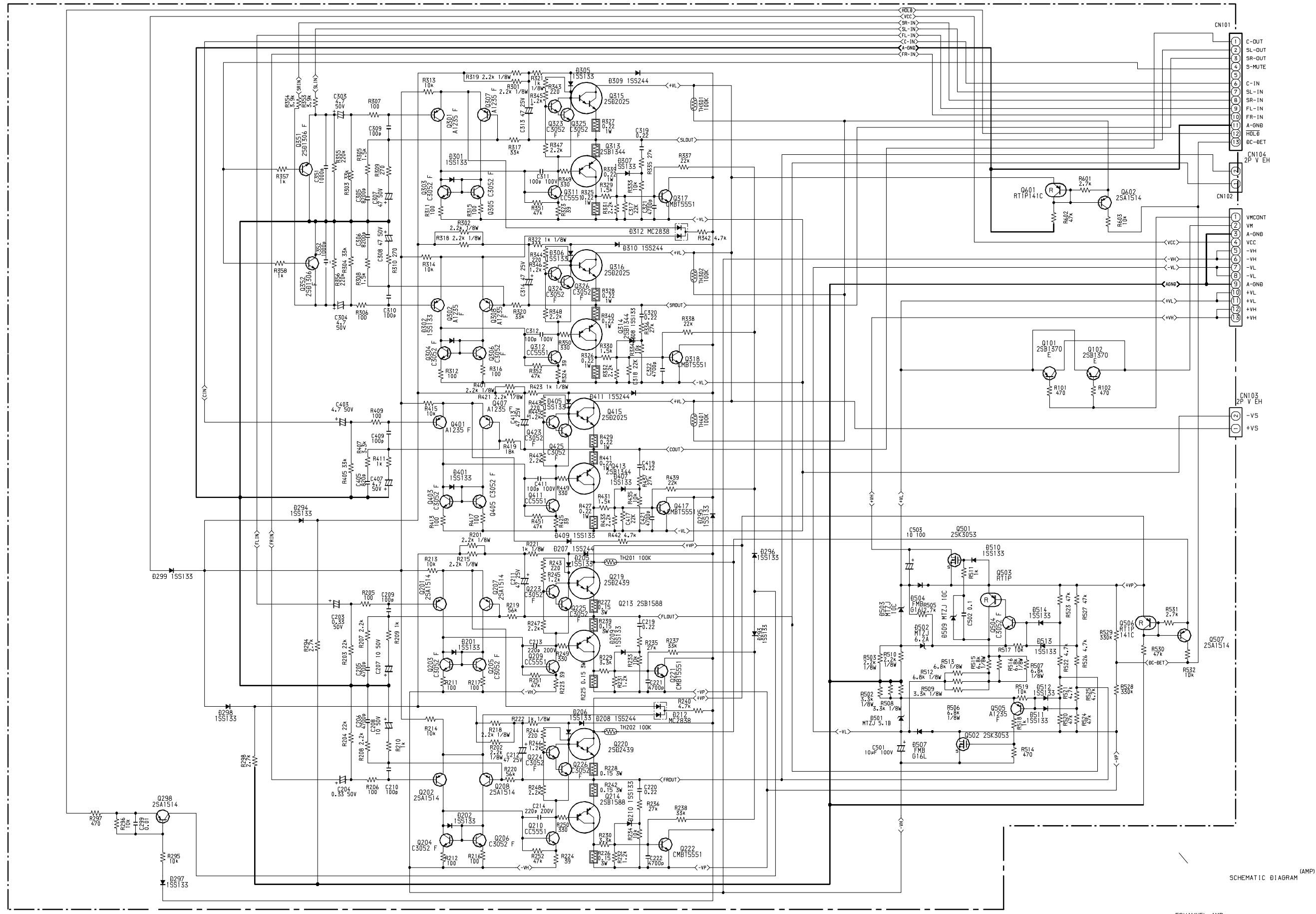
SCHEMATIC DIAGRAM – 5 (TUNER :ZZA-1)



	C741, 742, 801-810
ULH ST (REAR PANEL STEAL)	0.01
ULH RT (REAR PANEL MDLB)	JR

v	FFE801 6ZA-1 FEVNM
	RB21 180

SCHEMATIC DIAGRAM – 6 (PRO)

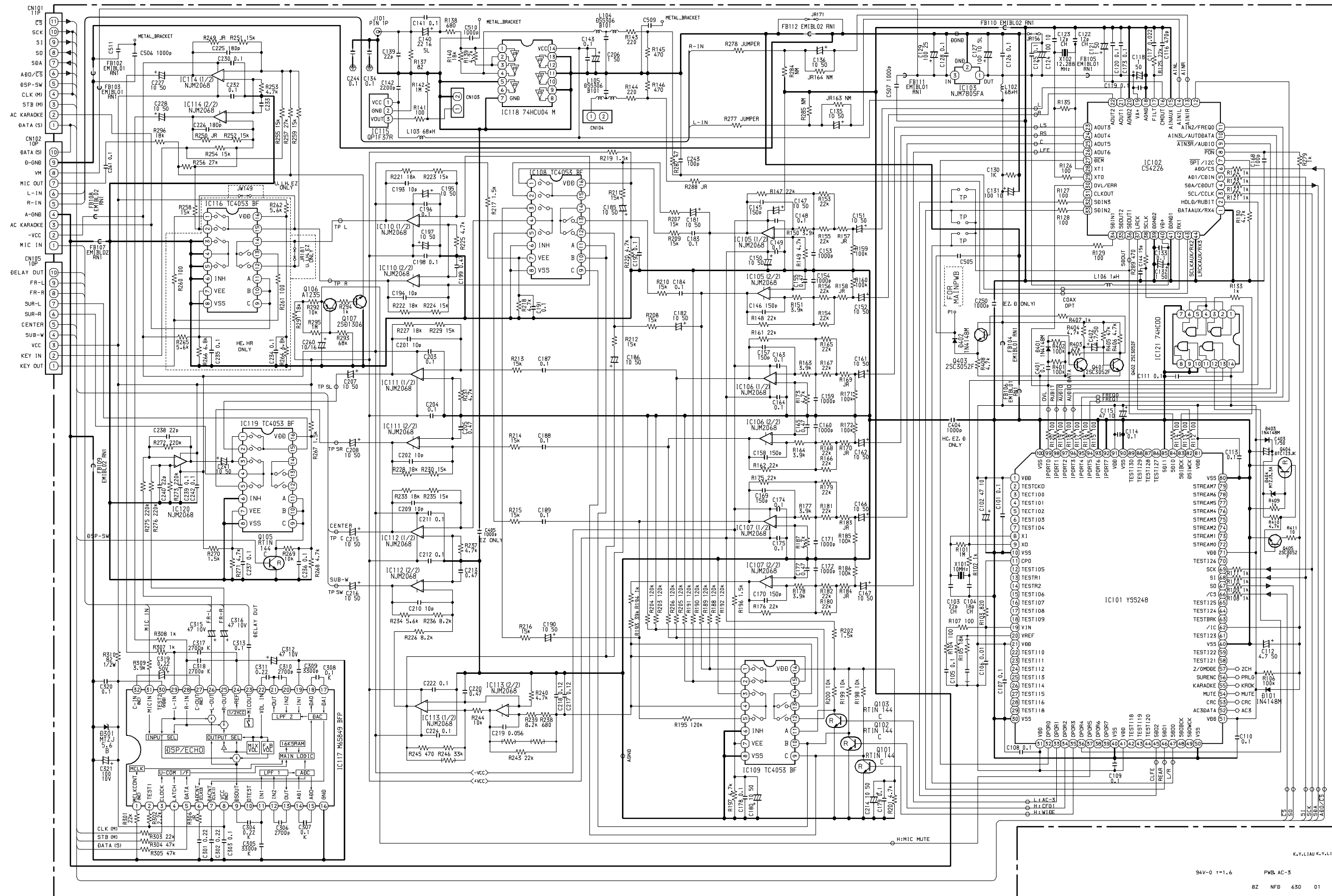


SCHEMATIC DIAGRAM (AMP)

81111111 AMP



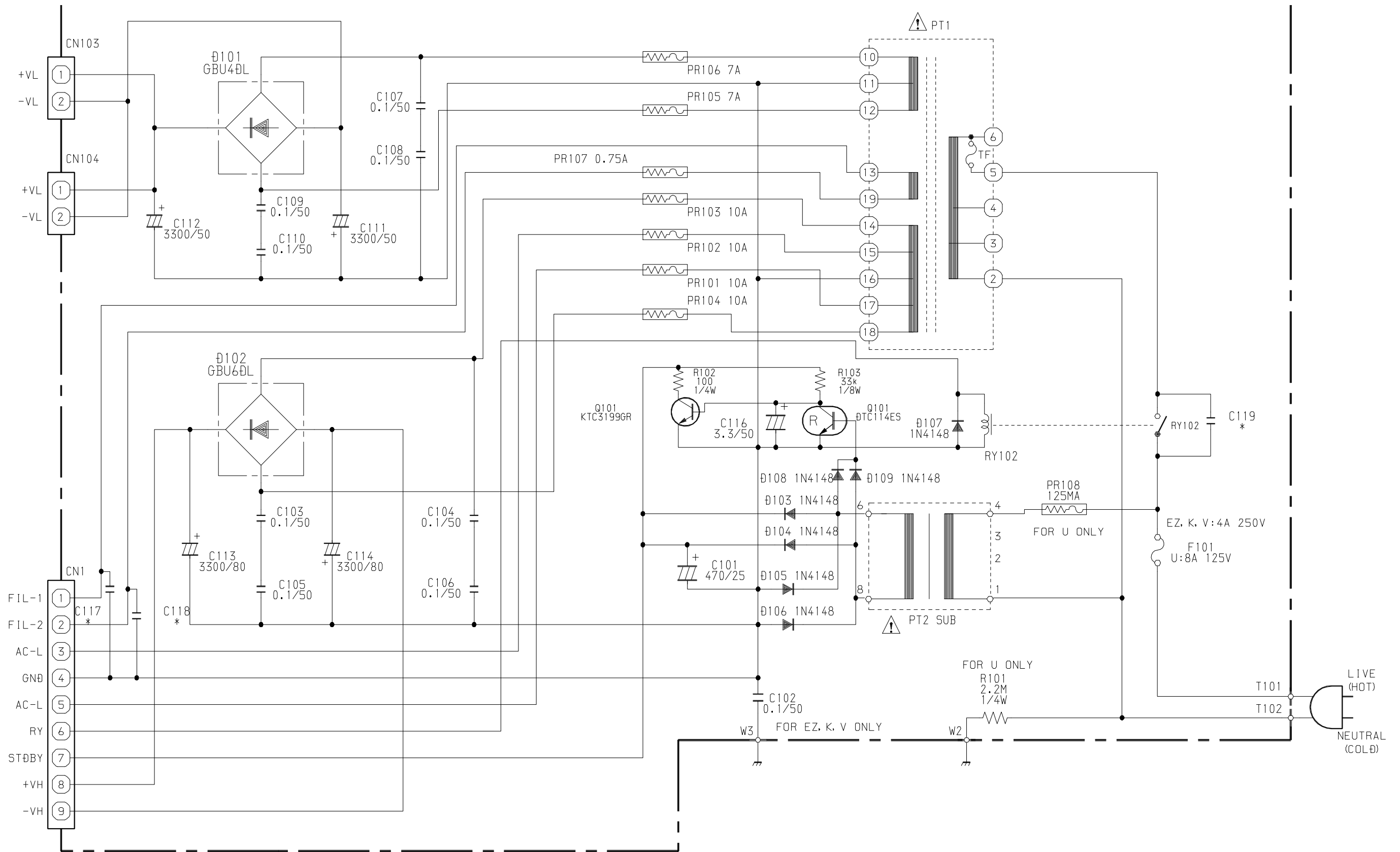
SCHEMATIC DIAGRAM -7 (AC3)



K.Y.LIAU K.Y.LIAU

94V-0 1\*1.6 PWB AC-5  
82 NFB 630 01

SCHEMATIC DIAGRAM - 8 (AC)



SCHEMATIC -PT

サービス技術ニュース	
番号	連絡内容
G- -	
G- -	
G- -	

**アイワ株式会社**  
**AIWA CO.,LTD.**

9620450

Tokyo Japan