



NSX-DS50 NSX-DS55

U
U

SERVICE MANUAL

COMPACT DISC
STEREO SYSTEM

BASIC TAPE MECHANISM : ZZM-3 PR1NM
BASIC CD MECHANISM : BZG-5 ZD3NM

- Replace this Service manual with "Revision Publishing" when it is issued.

aiwa

S/M Code No. 09-014-445-3T1

SIMPLE

DATA

PARTS LIST

! = Δ SAFTY PARTS
 C = Components marked

All components used on this model at the production line are shown in this service manual.

However, please note that not all components will be available as spare parts for after-sales service.

Components marked S and O are designated as spare parts for service and will be stocked at the spare parts centers.

Components marked X and R are not designated as spare parts for after sales service, and will not be stocked at the spare parts centers.

K NO. = Only use Japanese.

! C	UNIT NAME	REF NO.	PARTS CODE	K NO.	DESCRIPTION	SUFFIX	MODEL NAME
O	ACCESSORY		87-006-268-010	1C	ANT, LOOP AM	USM	CX-NDS50
O	ACCESSORY		87-006-268-010	1C	ANT, LOOP AM	USM	CX-NDS55
O	ACCESSORY		87-043-115-010	1A	FEEDER-ANT, FM	USM	CX-NDS50
O	ACCESSORY		87-043-115-010	1A	FEEDER-ANT, FM	USM	CX-NDS55
O	ACCESSORY		8B-NCK-702-010	1H	RC UNIT, RC-BAS10 VS	USM	CX-NDS50
O	ACCESSORY		8B-NCK-702-010	1H	RC UNIT, RC-BAS10 VS	USM	CX-NDS55
X	AMP		8B-NCK-653-010	--	PWB, DET	USM	CX-NDS50
X	AMP		8B-NCK-653-010	--	PWB, DET	USM	CX-NDS55
X	AMP	*	8B-NCK-650-010	1A	PWB, COMB 3CH AMP 2M	USM	CX-NDS50
X	AMP	*	8B-NCK-650-010	1A	PWB, COMB 3CH AMP 2M	USM	CX-NDS55
X	AMP	*	8B-NCK-651-010	--	PWB, 3CH AMP	USM	CX-NDS50
X	AMP	*	8B-NCK-651-010	--	PWB, 3CH AMP	USM	CX-NDS55
X	AMP	*	8B-NCK-652-010	--	PWB, JACK	USM	CX-NDS50
X	AMP	*	8B-NCK-652-010	--	PWB, JACK	USM	CX-NDS55
O	AMP	C 0101	87-012-278-080	0E	C-CAP, U 2200P-50 K B	USM	CX-NDS50
O	AMP	C 0101	87-012-278-080	0E	C-CAP, U 2200P-50 K B	USM	CX-NDS55
O	AMP	C 0102	87-012-278-080	0E	C-CAP, U 2200P-50 K B	USM	CX-NDS50
O	AMP	C 0102	87-012-278-080	0E	C-CAP, U 2200P-50 K B	USM	CX-NDS55
O	AMP	C 0103	87-A12-087-080	0E	CAP, E 1-50 SMG	USM	CX-NDS50
O	AMP	C 0103	87-A12-087-080	0E	CAP, E 1-50 SMG	USM	CX-NDS55
O	AMP	C 0104	87-A12-087-080	0E	CAP, E 1-50 SMG	USM	CX-NDS50
O	AMP	C 0104	87-A12-087-080	0E	CAP, E 1-50 SMG	USM	CX-NDS55
O	AMP	C 0107	87-A12-095-080	0E	CAP, E 100-50 SMG	USM	CX-NDS50
O	AMP	C 0107	87-A12-095-080	0E	CAP, E 100-50 SMG	USM	CX-NDS55
O	AMP	C 0108	87-A12-095-080	0E	CAP, E 100-50 SMG	USM	CX-NDS50
O	AMP	C 0108	87-A12-095-080	0E	CAP, E 100-50 SMG	USM	CX-NDS55
O	AMP	C 0111	87-A12-078-080	0E	CAP, E 47-35 SMG	USM	CX-NDS50
O	AMP	C 0111	87-A12-078-080	0E	CAP, E 47-35 SMG	USM	CX-NDS55
O	AMP	C 0112	87-A12-078-080	0E	CAP, E 47-35 SMG	USM	CX-NDS50
O	AMP	C 0112	87-A12-078-080	0E	CAP, E 47-35 SMG	USM	CX-NDS55
O	AMP	C 0113	87-012-195-080	0E	C-CAP, U 100P-50 J CH	USM	CX-NDS50
O	AMP	C 0113	87-012-195-080	0E	C-CAP, U 100P-50 J CH	USM	CX-NDS55
O	AMP	C 0114	87-012-195-080	0E	C-CAP, U 100P-50 J CH	USM	CX-NDS50
O	AMP	C 0114	87-012-195-080	0E	C-CAP, U 100P-50 J CH	USM	CX-NDS55
O	AMP	C 0117	87-A10-596-080	0E	C-CAP, S 100P-100 J CH	USM	CX-NDS50
O	AMP	C 0117	87-A10-596-080	0E	C-CAP, S 100P-100 J CH	USM	CX-NDS55
O	AMP	C 0118	87-A10-596-080	0E	C-CAP, S 100P-100 J CH	USM	CX-NDS50
O	AMP	C 0118	87-A10-596-080	0E	C-CAP, S 100P-100 J CH	USM	CX-NDS55
O	AMP	C 0119	87-012-368-080	0E	C-CAP, S 0.1-50 Z F	USM	CX-NDS50
O	AMP	C 0119	87-012-368-080	0E	C-CAP, S 0.1-50 Z F	USM	CX-NDS55
O	AMP	C 0120	87-012-368-080	0E	C-CAP, S 0.1-50 Z F	USM	CX-NDS50
O	AMP	C 0120	87-012-368-080	0E	C-CAP, S 0.1-50 Z F	USM	CX-NDS55
O	AMP	C 0121	87-012-286-080	0E	C-CAP, U 0.01-25 K B	USM	CX-NDS50
O	AMP	C 0121	87-012-286-080	0E	C-CAP, U 0.01-25 K B	USM	CX-NDS55
O	AMP	C 0122	87-012-286-080	0E	C-CAP, U 0.01-25 K B	USM	CX-NDS50
O	AMP	C 0122	87-012-286-080	0E	C-CAP, U 0.01-25 K B	USM	CX-NDS55
O	AMP	C 0125	87-010-831-080	0E	C-CAP, U 0.1-16 Z F	USM	CX-NDS50
O	AMP	C 0125	87-010-831-080	0E	C-CAP, U 0.1-16 Z F	USM	CX-NDS55
X	AMP	C 0127	88-108-000-080	0E	C-JUMPER, U	USM	CX-NDS50
X	AMP	C 0127	88-108-000-080	0E	C-JUMPER, U	USM	CX-NDS55
X	AMP	C 0128	88-108-000-080	0E	C-JUMPER, U	USM	CX-NDS50
X	AMP	C 0128	88-108-000-080	0E	C-JUMPER, U	USM	CX-NDS55
O	AMP	C 0201	87-012-278-080	0E	C-CAP, U 2200P-50 K B	USM	CX-NDS50
O	AMP	C 0201	87-012-278-080	0E	C-CAP, U 2200P-50 K B	USM	CX-NDS55
O	AMP	C 0202	87-A12-087-080	0E	CAP, E 1-50 SMG	USM	CX-NDS50
O	AMP	C 0202	87-A12-087-080	0E	CAP, E 1-50 SMG	USM	CX-NDS55
O	AMP	C 0204	87-A12-095-080	0E	CAP, E 100-50 SMG	USM	CX-NDS50
O	AMP	C 0204	87-A12-095-080	0E	CAP, E 100-50 SMG	USM	CX-NDS55
O	AMP	C 0206	87-A12-078-080	0E	CAP, E 47-35 SMG	USM	CX-NDS50
O	AMP	C 0206	87-A12-078-080	0E	CAP, E 47-35 SMG	USM	CX-NDS55
O	AMP	C 0207	87-012-195-080	0E	C-CAP, U 100P-50 J CH	USM	CX-NDS50
O	AMP	C 0207	87-012-195-080	0E	C-CAP, U 100P-50 J CH	USM	CX-NDS55
O	AMP	C 0209	87-A10-596-080	0E	C-CAP, S 100P-100 J CH	USM	CX-NDS50
O	AMP	C 0209	87-A10-596-080	0E	C-CAP, S 100P-100 J CH	USM	CX-NDS55
O	AMP	C 0210	87-012-368-080	0E	C-CAP, S 0.1-50 Z F	USM	CX-NDS50
O	AMP	C 0210	87-012-368-080	0E	C-CAP, S 0.1-50 Z F	USM	CX-NDS55
O	AMP	C 0211	87-012-286-080	0E	C-CAP, U 0.01-25 K B	USM	CX-NDS50
O	AMP	C 0211	87-012-286-080	0E	C-CAP, U 0.01-25 K B	USM	CX-NDS55
X	AMP	C 0212	88-108-000-080	0E	C-JUMPER, U	USM	CX-NDS50
X	AMP	C 0212	88-108-000-080	0E	C-JUMPER, U	USM	CX-NDS55

PARTS LIST

! = Δ SAFTY PARTS
 C = Components marked

All components used on this model at the production line are shown in this service manual.

However, please note that not all components will be available as spare parts for after-sales service.

Components marked S and O are designated as spare parts for service and will be stocked at the spare parts centers.

Components marked X and R are not designated as spare parts for after sales service, and will not be stocked at the spare parts centers.

K NO. = Only use Japanese.

! C	UNIT NAME	REF NO.	PARTS CODE	K NO.	DESCRIPTION	SUFFIX	MODEL NAME
O	AMP	C 0300	87-012-278-080	0E	C-CAP,U 2200P-50 K B	USM	CX-NDS50
O	AMP	C 0300	87-012-278-080	0E	C-CAP,U 2200P-50 K B	USM	CX-NDS55
O	AMP	C 0301	87-012-282-080	0E	C-CAP,U 4700P-50 K B	USM	CX-NDS50
O	AMP	C 0301	87-012-282-080	0E	C-CAP,U 4700P-50 K B	USM	CX-NDS55
O	AMP	C 0401	87-012-368-080	0E	C-CAP,S 0.1-50 Z F	USM	CX-NDS50
O	AMP	C 0401	87-012-368-080	0E	C-CAP,S 0.1-50 Z F	USM	CX-NDS55
O	AMP	C 0402	87-012-368-080	0E	C-CAP,S 0.1-50 Z F	USM	CX-NDS50
O	AMP	C 0402	87-012-368-080	0E	C-CAP,S 0.1-50 Z F	USM	CX-NDS55
O	AMP	C 0403	87-012-368-080	0E	C-CAP,S 0.1-50 Z F	USM	CX-NDS50
O	AMP	C 0403	87-012-368-080	0E	C-CAP,S 0.1-50 Z F	USM	CX-NDS55
O	AMP	C 0404	87-012-368-080	0E	C-CAP,S 0.1-50 Z F	USM	CX-NDS50
O	AMP	C 0404	87-012-368-080	0E	C-CAP,S 0.1-50 Z F	USM	CX-NDS55
O	AMP	C 0411	87-012-368-080	0E	C-CAP,S 0.1-50 Z F	USM	CX-NDS50
O	AMP	C 0411	87-012-368-080	0E	C-CAP,S 0.1-50 Z F	USM	CX-NDS55
O	AMP	C 0412	87-012-368-080	0E	C-CAP,S 0.1-50 Z F	USM	CX-NDS50
O	AMP	C 0412	87-012-368-080	0E	C-CAP,S 0.1-50 Z F	USM	CX-NDS55
X	AMP	CLP0101	87-A60-884-010	0E	PIN,DIAL COATING-SHS	USM	CX-NDS50
X	AMP	CLP0101	87-A60-884-010	0E	PIN,DIAL COATING-SHS	USM	CX-NDS55
X	AMP	CLP0102	87-A60-884-010	0E	PIN,DIAL COATING-SHS	USM	CX-NDS50
X	AMP	CLP0102	87-A60-884-010	0E	PIN,DIAL COATING-SHS	USM	CX-NDS55
X	AMP	CLP0103	87-A60-884-010	0E	PIN,DIAL COATING-SHS	USM	CX-NDS50
X	AMP	CLP0103	87-A60-884-010	0E	PIN,DIAL COATING-SHS	USM	CX-NDS55
X	AMP	CLP0401	87-A60-884-010	0E	PIN,DIAL COATING-SHS	USM	CX-NDS50
X	AMP	CLP0401	87-A60-884-010	0E	PIN,DIAL COATING-SHS	USM	CX-NDS55
!	O	CN 0102	87-A61-109-010	0E	CONN,7P V TID-A	USM	CX-NDS50
!	O	CN 0102	87-A61-109-010	0E	CONN,7P V TID-A	USM	CX-NDS55
!	O	CN 0104	87-A60-060-010	0E	CONN,07P V 9604S-07C	USM	CX-NDS50
!	O	CN 0104	87-A60-060-010	0E	CONN,07P V 9604S-07C	USM	CX-NDS55
S	AMP	D 0103	87-A40-291-080	0E	DIODE,1N4148M (CPT)	USM	CX-NDS50
S	AMP	D 0103	87-A40-291-080	0E	DIODE,1N4148M (CPT)	USM	CX-NDS55
S	AMP	D 0104	87-A40-291-080	0E	DIODE,1N4148M (CPT)	USM	CX-NDS50
S	AMP	D 0104	87-A40-291-080	0E	DIODE,1N4148M (CPT)	USM	CX-NDS55
S	AMP	D 0105	87-A40-291-080	0E	DIODE,1N4148M (CPT)	USM	CX-NDS50
S	AMP	D 0105	87-A40-291-080	0E	DIODE,1N4148M (CPT)	USM	CX-NDS55
S	AMP	D 0106	87-A40-291-080	0E	DIODE,1N4148M (CPT)	USM	CX-NDS50
S	AMP	D 0106	87-A40-291-080	0E	DIODE,1N4148M (CPT)	USM	CX-NDS55
S	AMP	D 0107	87-A40-291-080	0E	DIODE,1N4148M (CPT)	USM	CX-NDS50
S	AMP	D 0107	87-A40-291-080	0E	DIODE,1N4148M (CPT)	USM	CX-NDS55
S	AMP	D 0108	87-A40-291-080	0E	DIODE,1N4148M (CPT)	USM	CX-NDS50
S	AMP	D 0108	87-A40-291-080	0E	DIODE,1N4148M (CPT)	USM	CX-NDS55
S	AMP	D 0109	87-A40-488-080	0E	DIODE,1SS244	USM	CX-NDS50
S	AMP	D 0109	87-A40-488-080	0E	DIODE,1SS244	USM	CX-NDS55
S	AMP	D 0110	87-A40-488-080	0E	DIODE,1SS244	USM	CX-NDS50
S	AMP	D 0110	87-A40-488-080	0E	DIODE,1SS244	USM	CX-NDS55
S	AMP	D 0121	87-A40-291-080	0E	DIODE,1N4148M (CPT)	USM	CX-NDS50
S	AMP	D 0121	87-A40-291-080	0E	DIODE,1N4148M (CPT)	USM	CX-NDS55
S	AMP	D 0122	87-A40-291-080	0E	DIODE,1N4148M (CPT)	USM	CX-NDS50
S	AMP	D 0122	87-A40-291-080	0E	DIODE,1N4148M (CPT)	USM	CX-NDS55
S	AMP	D 0123	87-A40-291-080	0E	DIODE,1N4148M (CPT)	USM	CX-NDS50
S	AMP	D 0123	87-A40-291-080	0E	DIODE,1N4148M (CPT)	USM	CX-NDS55
S	AMP	D 0124	87-A40-291-080	0E	DIODE,1N4148M (CPT)	USM	CX-NDS50
S	AMP	D 0124	87-A40-291-080	0E	DIODE,1N4148M (CPT)	USM	CX-NDS55
S	AMP	D 0201	87-A40-291-080	0E	DIODE,1N4148M (CPT)	USM	CX-NDS50
S	AMP	D 0201	87-A40-291-080	0E	DIODE,1N4148M (CPT)	USM	CX-NDS55
S	AMP	D 0202	87-A40-291-080	0E	DIODE,1N4148M (CPT)	USM	CX-NDS50
S	AMP	D 0202	87-A40-291-080	0E	DIODE,1N4148M (CPT)	USM	CX-NDS55
S	AMP	D 0203	87-A40-291-080	0E	DIODE,1N4148M (CPT)	USM	CX-NDS50
S	AMP	D 0203	87-A40-291-080	0E	DIODE,1N4148M (CPT)	USM	CX-NDS55
S	AMP	D 0204	87-A40-291-080	0E	DIODE,1N4148M (CPT)	USM	CX-NDS50
S	AMP	D 0204	87-A40-291-080	0E	DIODE,1N4148M (CPT)	USM	CX-NDS55
S	AMP	D 0205	87-A40-291-080	0E	DIODE,1N4148M (CPT)	USM	CX-NDS50
S	AMP	D 0205	87-A40-291-080	0E	DIODE,1N4148M (CPT)	USM	CX-NDS55
S	AMP	D 0206	87-A40-488-080	0E	DIODE,1SS244	USM	CX-NDS50
S	AMP	D 0206	87-A40-488-080	0E	DIODE,1SS244	USM	CX-NDS55
S	AMP	D 0301	87-A40-270-080	0E	C-DIODE,MC2838	USM	CX-NDS50
S	AMP	D 0301	87-A40-270-080	0E	C-DIODE,MC2838	USM	CX-NDS55
S	AMP	D 0311	87-A40-291-080	0E	DIODE,1N4148M (CPT)	USM	CX-NDS50
S	AMP	D 0311	87-A40-291-080	0E	DIODE,1N4148M (CPT)	USM	CX-NDS55
S	AMP	D 0312	87-A40-291-080	0E	DIODE,1N4148M (CPT)	USM	CX-NDS50
S	AMP	D 0312	87-A40-291-080	0E	DIODE,1N4148M (CPT)	USM	CX-NDS55

PARTS LIST

! = Δ SAFTY PARTS
 C = Components marked

All components used on this model at the production line are shown in this service manual.

However, please note that not all components will be available as spare parts for after-sales service.

Components marked S and O are designated as spare parts for service and will be stocked at the spare parts centers.

Components marked X and R are not designated as spare parts for after sales service, and will not be stocked at the spare parts centers.

K NO. = Only use Japanese.

! C	UNIT NAME	REF NO.	PARTS CODE	K NO.	DESCRIPTION	SUFFIX	MODEL NAME
O	AMP	J 0201	87-A61-540-010	1A	JACK, PIN 4P ORBW MSP-244V -41	USM	CX-NDS50
O	AMP	J 0201	87-A61-540-010	1A	JACK, PIN 4P ORBW MSP-244V -41	USM	CX-NDS55
X	AMP	JR 0101	88-108-000-080	OE	C-JUMPER, U	USM	CX-NDS50
X	AMP	JR 0101	88-108-000-080	OE	C-JUMPER, U	USM	CX-NDS55
X	AMP	JR 0102	88-108-000-080	OE	C-JUMPER, U	USM	CX-NDS50
X	AMP	JR 0102	88-108-000-080	OE	C-JUMPER, U	USM	CX-NDS55
X	AMP	JR 0103	88-108-000-080	OE	C-JUMPER, U	USM	CX-NDS50
X	AMP	JR 0103	88-108-000-080	OE	C-JUMPER, U	USM	CX-NDS55
X	AMP	JR 0104	88-108-000-080	OE	C-JUMPER, U	USM	CX-NDS50
X	AMP	JR 0104	88-108-000-080	OE	C-JUMPER, U	USM	CX-NDS55
X	AMP	JR 0105	88-108-000-080	OE	C-JUMPER, U	USM	CX-NDS50
X	AMP	JR 0105	88-108-000-080	OE	C-JUMPER, U	USM	CX-NDS55
X	AMP	JR 0106	88-108-000-080	OE	C-JUMPER, U	USM	CX-NDS50
X	AMP	JR 0106	88-108-000-080	OE	C-JUMPER, U	USM	CX-NDS55
X	AMP	JR 0107	88-129-000-080	OE	C-JUMPER, 3216	USM	CX-NDS50
X	AMP	JR 0107	88-129-000-080	OE	C-JUMPER, 3216	USM	CX-NDS55
X	AMP	JR 0108	88-108-000-080	OE	C-JUMPER, U	USM	CX-NDS50
X	AMP	JR 0108	88-108-000-080	OE	C-JUMPER, U	USM	CX-NDS55
X	AMP	JR 0109	88-108-000-080	OE	C-JUMPER, U	USM	CX-NDS50
X	AMP	JR 0109	88-108-000-080	OE	C-JUMPER, U	USM	CX-NDS55
X	AMP	JR 0110	88-108-000-080	OE	C-JUMPER, U	USM	CX-NDS50
X	AMP	JR 0110	88-108-000-080	OE	C-JUMPER, U	USM	CX-NDS55
X	AMP	JR 0111	88-108-000-080	OE	C-JUMPER, U	USM	CX-NDS50
X	AMP	JR 0111	88-108-000-080	OE	C-JUMPER, U	USM	CX-NDS55
X	AMP	JR 0112	88-129-000-080	OE	C-JUMPER, 3216	USM	CX-NDS50
X	AMP	JR 0112	88-129-000-080	OE	C-JUMPER, 3216	USM	CX-NDS55
X	AMP	JR 0113	88-108-000-080	OE	C-JUMPER, U	USM	CX-NDS50
X	AMP	JR 0113	88-108-000-080	OE	C-JUMPER, U	USM	CX-NDS55
X	AMP	JR 0115	88-108-000-080	OE	C-JUMPER, U	USM	CX-NDS50
X	AMP	JR 0115	88-108-000-080	OE	C-JUMPER, U	USM	CX-NDS55
X	AMP	JR 0121	88-108-000-080	OE	C-JUMPER, U	USM	CX-NDS50
X	AMP	JR 0121	88-108-000-080	OE	C-JUMPER, U	USM	CX-NDS55
X	AMP	JR 0122	88-108-000-080	OE	C-JUMPER, U	USM	CX-NDS50
X	AMP	JR 0122	88-108-000-080	OE	C-JUMPER, U	USM	CX-NDS55
X	AMP	JR 0201	88-108-000-080	OE	C-JUMPER, U	USM	CX-NDS50
X	AMP	JR 0201	88-108-000-080	OE	C-JUMPER, U	USM	CX-NDS55
X	AMP	JR 0211	88-108-000-080	OE	C-JUMPER, U	USM	CX-NDS50
X	AMP	JR 0211	88-108-000-080	OE	C-JUMPER, U	USM	CX-NDS55
O	AMP	L 0401	87-A50-610-010	OE	COIL, 1UH K(MDEC)	USM	CX-NDS50
O	AMP	L 0401	87-A50-610-010	OE	COIL, 1UH K(MDEC)	USM	CX-NDS55
O	AMP	L 0402	87-A50-610-010	OE	COIL, 1UH K(MDEC)	USM	CX-NDS50
O	AMP	L 0402	87-A50-610-010	OE	COIL, 1UH K(MDEC)	USM	CX-NDS55
O	AMP	L 0411	87-A50-610-010	OE	COIL, 1UH K(MDEC)	USM	CX-NDS50
O	AMP	L 0411	87-A50-610-010	OE	COIL, 1UH K(MDEC)	USM	CX-NDS55
S	AMP	Q 0101	87-A30-075-080	OE	C-TR, 2SA1235F	USM	CX-NDS50
S	AMP	Q 0101	87-A30-075-080	OE	C-TR, 2SA1235F	USM	CX-NDS55
S	AMP	Q 0102	87-A30-075-080	OE	C-TR, 2SA1235F	USM	CX-NDS50
S	AMP	Q 0102	87-A30-075-080	OE	C-TR, 2SA1235F	USM	CX-NDS55
S	AMP	Q 0103	87-A30-075-080	OE	C-TR, 2SA1235F	USM	CX-NDS50
S	AMP	Q 0103	87-A30-075-080	OE	C-TR, 2SA1235F	USM	CX-NDS55
S	AMP	Q 0104	87-A30-075-080	OE	C-TR, 2SA1235F	USM	CX-NDS50
S	AMP	Q 0104	87-A30-075-080	OE	C-TR, 2SA1235F	USM	CX-NDS55
S	AMP	Q 0105	87-A30-076-080	OE	C-TR, 2SC3052F	USM	CX-NDS50
S	AMP	Q 0105	87-A30-076-080	OE	C-TR, 2SC3052F	USM	CX-NDS55
S	AMP	Q 0106	87-A30-076-080	OE	C-TR, 2SC3052F	USM	CX-NDS50
S	AMP	Q 0106	87-A30-076-080	OE	C-TR, 2SC3052F	USM	CX-NDS55
S	AMP	Q 0107	87-A30-076-080	OE	C-TR, 2SC3052F	USM	CX-NDS50
S	AMP	Q 0107	87-A30-076-080	OE	C-TR, 2SC3052F	USM	CX-NDS55
S	AMP	Q 0108	87-A30-076-080	OE	C-TR, 2SC3052F	USM	CX-NDS50
S	AMP	Q 0108	87-A30-076-080	OE	C-TR, 2SC3052F	USM	CX-NDS55
S	AMP	Q 0109	87-A30-106-040	OE	C-TR, CMBT5551	USM	CX-NDS50
S	AMP	Q 0109	87-A30-106-040	OE	C-TR, CMBT5551	USM	CX-NDS55
S	AMP	Q 0110	87-A30-106-040	OE	C-TR, CMBT5551	USM	CX-NDS50
S	AMP	Q 0110	87-A30-106-040	OE	C-TR, CMBT5551	USM	CX-NDS55
S	AMP	Q 0111	87-A30-190-080	OE	TR, CC5551	USM	CX-NDS50
S	AMP	Q 0111	87-A30-190-080	OE	TR, CC5551	USM	CX-NDS55
S	AMP	Q 0112	87-A30-190-080	OE	TR, CC5551	USM	CX-NDS50
S	AMP	Q 0112	87-A30-190-080	OE	TR, CC5551	USM	CX-NDS55
S	AMP	Q 0115	87-A30-076-080	OE	C-TR, 2SC3052F	USM	CX-NDS50
S	AMP	Q 0115	87-A30-076-080	OE	C-TR, 2SC3052F	USM	CX-NDS55

PARTS LIST

! = Δ SAFTY PARTS
 C = Components marked

All components used on this model at the production line are shown in this service manual.

However, please note that not all components will be available as spare parts for after-sales service.

Components marked S and O are designated as spare parts for service and will be stocked at the spare parts centers.

Components marked X and R are not designated as spare parts for after sales service, and will not be stocked at the spare parts centers.

K NO. = Only use Japanese.

! C	UNIT NAME	REF NO.	PARTS CODE	K NO.	DESCRIPTION	SUFFIX	MODEL NAME
S AMP		Q 0116	87-A30-076-080	0E	C-TR, 2SC3052F	USM	CX-NDS50
S AMP		Q 0116	87-A30-076-080	0E	C-TR, 2SC3052F	USM	CX-NDS55
S AMP		Q 0117	87-A30-076-080	0E	C-TR, 2SC3052F	USM	CX-NDS50
S AMP		Q 0117	87-A30-076-080	0E	C-TR, 2SC3052F	USM	CX-NDS55
S AMP		Q 0118	87-A30-076-080	0E	C-TR, 2SC3052F	USM	CX-NDS50
S AMP		Q 0118	87-A30-076-080	0E	C-TR, 2SC3052F	USM	CX-NDS55
S AMP		Q 0123	87-A30-256-010	1A	TR, 2SD1933	USM	CX-NDS50
S AMP		Q 0123	87-A30-256-010	1A	TR, 2SD1933	USM	CX-NDS55
S AMP		Q 0124	87-A30-256-010	1A	TR, 2SD1933	USM	CX-NDS50
S AMP		Q 0124	87-A30-256-010	1A	TR, 2SD1933	USM	CX-NDS55
S AMP		Q 0125	87-A30-255-010	1A	TR, 2SB1342	USM	CX-NDS50
S AMP		Q 0125	87-A30-255-010	1A	TR, 2SB1342	USM	CX-NDS55
S AMP		Q 0126	87-A30-255-010	1A	TR, 2SB1342	USM	CX-NDS50
S AMP		Q 0126	87-A30-255-010	1A	TR, 2SB1342	USM	CX-NDS55
S AMP		Q 0127	87-A30-107-070	0E	C-TR, CMBT5401	USM	CX-NDS50
S AMP		Q 0127	87-A30-107-070	0E	C-TR, CMBT5401	USM	CX-NDS55
S AMP		Q 0128	87-A30-107-070	0E	C-TR, CMBT5401	USM	CX-NDS50
S AMP		Q 0128	87-A30-107-070	0E	C-TR, CMBT5401	USM	CX-NDS55
S AMP		Q 0201	87-A30-075-080	0E	C-TR, 2SA1235F	USM	CX-NDS50
S AMP		Q 0201	87-A30-075-080	0E	C-TR, 2SA1235F	USM	CX-NDS55
S AMP		Q 0202	87-A30-076-080	0E	C-TR, 2SC3052F	USM	CX-NDS50
S AMP		Q 0202	87-A30-076-080	0E	C-TR, 2SC3052F	USM	CX-NDS55
S AMP		Q 0203	87-A30-075-080	0E	C-TR, 2SA1235F	USM	CX-NDS50
S AMP		Q 0203	87-A30-075-080	0E	C-TR, 2SA1235F	USM	CX-NDS55
S AMP		Q 0204	87-A30-076-080	0E	C-TR, 2SC3052F	USM	CX-NDS50
S AMP		Q 0204	87-A30-076-080	0E	C-TR, 2SC3052F	USM	CX-NDS55
S AMP		Q 0205	87-A30-106-040	0E	C-TR, CMBT5551	USM	CX-NDS50
S AMP		Q 0205	87-A30-106-040	0E	C-TR, CMBT5551	USM	CX-NDS55
S AMP		Q 0206	87-A30-190-080	0E	TR, CC5551	USM	CX-NDS50
S AMP		Q 0206	87-A30-190-080	0E	TR, CC5551	USM	CX-NDS55
S AMP		Q 0208	87-A30-076-080	0E	C-TR, 2SC3052F	USM	CX-NDS50
S AMP		Q 0208	87-A30-076-080	0E	C-TR, 2SC3052F	USM	CX-NDS55
S AMP		Q 0209	87-A30-076-080	0E	C-TR, 2SC3052F	USM	CX-NDS50
S AMP		Q 0209	87-A30-076-080	0E	C-TR, 2SC3052F	USM	CX-NDS55
S AMP		Q 0212	87-A30-256-010	1A	TR, 2SD1933	USM	CX-NDS50
S AMP		Q 0212	87-A30-256-010	1A	TR, 2SD1933	USM	CX-NDS55
S AMP		Q 0213	87-A30-255-010	1A	TR, 2SB1342	USM	CX-NDS50
S AMP		Q 0213	87-A30-255-010	1A	TR, 2SB1342	USM	CX-NDS55
S AMP		Q 0214	87-A30-107-070	0E	C-TR, CMBT5401	USM	CX-NDS50
S AMP		Q 0214	87-A30-107-070	0E	C-TR, CMBT5401	USM	CX-NDS55
S AMP		Q 0300	87-A30-107-070	0E	C-TR, CMBT5401	USM	CX-NDS50
S AMP		Q 0300	87-A30-107-070	0E	C-TR, CMBT5401	USM	CX-NDS55
S AMP		Q 0301	87-A30-106-040	0E	C-TR, CMBT5551	USM	CX-NDS50
S AMP		Q 0301	87-A30-106-040	0E	C-TR, CMBT5551	USM	CX-NDS55
S AMP		Q 0311	87-A30-484-080	0E	C-TR, KRA102S	USM	CX-NDS50
S AMP		Q 0311	87-A30-484-080	0E	C-TR, KRA102S	USM	CX-NDS55
S AMP		Q 0312	87-A30-107-070	0E	C-TR, CMBT5401	USM	CX-NDS50
S AMP		Q 0312	87-A30-107-070	0E	C-TR, CMBT5401	USM	CX-NDS55
X AMP		R 0103	88-118-333-080	0E	C-RES, S 33K-1/10W J	USM	CX-NDS50
X AMP		R 0103	88-118-333-080	0E	C-RES, S 33K-1/10W J	USM	CX-NDS55
X AMP		R 0104	88-118-333-080	0E	C-RES, S 33K-1/10W J	USM	CX-NDS50
X AMP		R 0104	88-118-333-080	0E	C-RES, S 33K-1/10W J	USM	CX-NDS55
X AMP		R 0107	88-118-271-080	0E	C-RES, S 270-1/10W J	USM	CX-NDS50
X AMP		R 0107	88-118-271-080	0E	C-RES, S 270-1/10W J	USM	CX-NDS55
X AMP		R 0108	88-118-271-080	0E	C-RES, S 270-1/10W J	USM	CX-NDS50
X AMP		R 0108	88-118-271-080	0E	C-RES, S 270-1/10W J	USM	CX-NDS55
X AMP		R 0109	88-128-222-080	0E	C-RES, 2.2K-1/8W J	USM	CX-NDS50
X AMP		R 0109	88-128-222-080	0E	C-RES, 2.2K-1/8W J	USM	CX-NDS55
X AMP		R 0110	88-128-222-080	0E	C-RES, 2.2K-1/8W J	USM	CX-NDS50
X AMP		R 0110	88-128-222-080	0E	C-RES, 2.2K-1/8W J	USM	CX-NDS55
X AMP		R 0111	88-128-222-080	0E	C-RES, 2.2K-1/8W J	USM	CX-NDS50
X AMP		R 0111	88-128-222-080	0E	C-RES, 2.2K-1/8W J	USM	CX-NDS55
X AMP		R 0112	88-128-222-080	0E	C-RES, 2.2K-1/8W J	USM	CX-NDS50
X AMP		R 0112	88-128-222-080	0E	C-RES, 2.2K-1/8W J	USM	CX-NDS55
X AMP		R 0113	88-128-102-080	0E	C-RES, 1K-1/8W J	USM	CX-NDS50
X AMP		R 0113	88-128-102-080	0E	C-RES, 1K-1/8W J	USM	CX-NDS55
X AMP		R 0114	88-128-102-080	0E	C-RES, 1K-1/8W J	USM	CX-NDS50
X AMP		R 0114	88-128-102-080	0E	C-RES, 1K-1/8W J	USM	CX-NDS55
X AMP		R 0115	88-108-103-080	0E	C-RES, U 10K-1/16W J	USM	CX-NDS50
X AMP		R 0115	88-108-103-080	0E	C-RES, U 10K-1/16W J	USM	CX-NDS55

PARTS LIST

! = Δ SAFTY PARTS
 C = Components marked

All components used on this model at the production line are shown in this service manual.

However, please note that not all components will be available as spare parts for after-sales service.

Components marked S and O are designated as spare parts for service and will be stocked at the spare parts centers.

Components marked X and R are not designated as spare parts for after sales service, and will not be stocked at the spare parts centers.

K NO. = Only use Japanese.

! C	UNIT NAME	REF NO.	PARTS CODE	K NO.	DESCRIPTION	SUFFIX	MODEL NAME
X AMP		R 0116	88-108-103-080	OE	C-RES,U 10K-1/16W J	USM	CX-NDS50
X AMP		R 0116	88-108-103-080	OE	C-RES,U 10K-1/16W J	USM	CX-NDS55
X AMP		R 0117	88-121-101-080	OE	RES,100-1/8W J	USM	CX-NDS50
X AMP		R 0117	88-121-101-080	OE	RES,100-1/8W J	USM	CX-NDS55
X AMP		R 0118	88-108-101-080	OE	C-RES,U 100-1/16W J	USM	CX-NDS50
X AMP		R 0118	88-108-101-080	OE	C-RES,U 100-1/16W J	USM	CX-NDS55
X AMP		R 0119	88-118-333-080	OE	C-RES,S 33K-1/10W J	USM	CX-NDS50
X AMP		R 0119	88-118-333-080	OE	C-RES,S 33K-1/10W J	USM	CX-NDS55
X AMP		R 0120	88-118-333-080	OE	C-RES,S 33K-1/10W J	USM	CX-NDS50
X AMP		R 0120	88-118-333-080	OE	C-RES,S 33K-1/10W J	USM	CX-NDS55
X AMP		R 0123	88-118-101-080	OE	C-RES,S 100-1/10W J	USM	CX-NDS50
X AMP		R 0123	88-118-101-080	OE	C-RES,S 100-1/10W J	USM	CX-NDS55
X AMP		R 0124	88-118-101-080	OE	C-RES,S 100-1/10W J	USM	CX-NDS50
X AMP		R 0124	88-118-101-080	OE	C-RES,S 100-1/10W J	USM	CX-NDS55
X AMP		R 0125	88-118-101-080	OE	C-RES,S 100-1/10W J	USM	CX-NDS50
X AMP		R 0125	88-118-101-080	OE	C-RES,S 100-1/10W J	USM	CX-NDS55
X AMP		R 0126	88-118-101-080	OE	C-RES,S 100-1/10W J	USM	CX-NDS50
X AMP		R 0126	88-118-101-080	OE	C-RES,S 100-1/10W J	USM	CX-NDS55
X AMP		R 0127	88-108-473-080	OE	C-RES,U 47K-1/16W J	USM	CX-NDS50
X AMP		R 0127	88-108-473-080	OE	C-RES,U 47K-1/16W J	USM	CX-NDS55
X AMP		R 0128	88-108-473-080	OE	C-RES,U 47K-1/16W J	USM	CX-NDS50
X AMP		R 0128	88-108-473-080	OE	C-RES,U 47K-1/16W J	USM	CX-NDS55
X AMP		R 0129	88-108-103-080	OE	C-RES,U 10K-1/16W J	USM	CX-NDS50
X AMP		R 0129	88-108-103-080	OE	C-RES,U 10K-1/16W J	USM	CX-NDS55
X AMP		R 0130	88-108-103-080	OE	C-RES,U 10K-1/16W J	USM	CX-NDS50
X AMP		R 0130	88-108-103-080	OE	C-RES,U 10K-1/16W J	USM	CX-NDS55
X AMP		R 0131	88-118-390-080	OE	C-RES,S 39-1/10W J	USM	CX-NDS50
X AMP		R 0131	88-118-390-080	OE	C-RES,S 39-1/10W J	USM	CX-NDS55
X AMP		R 0132	88-118-390-080	OE	C-RES,S 39-1/10W J	USM	CX-NDS50
X AMP		R 0132	88-118-390-080	OE	C-RES,S 39-1/10W J	USM	CX-NDS55
X AMP		R 0135	88-118-221-080	OE	C-RES,S 220-1/10W J	USM	CX-NDS50
X AMP		R 0135	88-118-221-080	OE	C-RES,S 220-1/10W J	USM	CX-NDS55
X AMP		R 0136	88-118-221-080	OE	C-RES,S 220-1/10W J	USM	CX-NDS50
X AMP		R 0136	88-118-221-080	OE	C-RES,S 220-1/10W J	USM	CX-NDS55
X AMP		R 0137	88-118-122-080	OE	C-RES,S 1.2K-1/10W J	USM	CX-NDS50
X AMP		R 0137	88-118-122-080	OE	C-RES,S 1.2K-1/10W J	USM	CX-NDS55
X AMP		R 0138	88-118-122-080	OE	C-RES,S 1.2K-1/10W J	USM	CX-NDS50
X AMP		R 0138	88-118-122-080	OE	C-RES,S 1.2K-1/10W J	USM	CX-NDS55
X AMP		R 0139	88-118-222-080	OE	C-RES,S 2.2K-1/10W J	USM	CX-NDS50
X AMP		R 0139	88-118-222-080	OE	C-RES,S 2.2K-1/10W J	USM	CX-NDS55
X AMP		R 0140	88-118-222-080	OE	C-RES,S 2.2K-1/10W J	USM	CX-NDS50
X AMP		R 0140	88-118-222-080	OE	C-RES,S 2.2K-1/10W J	USM	CX-NDS55
X AMP		R 0141	88-118-331-080	OE	C-RES,S 330-1/10W J	USM	CX-NDS50
X AMP		R 0141	88-118-331-080	OE	C-RES,S 330-1/10W J	USM	CX-NDS55
X AMP		R 0142	88-118-331-080	OE	C-RES,S 330-1/10W J	USM	CX-NDS50
X AMP		R 0142	88-118-331-080	OE	C-RES,S 330-1/10W J	USM	CX-NDS55
X AMP		R 0143	88-108-101-080	OE	C-RES,U 100-1/16W J	USM	CX-NDS50
X AMP		R 0143	88-108-101-080	OE	C-RES,U 100-1/16W J	USM	CX-NDS55
X AMP		R 0144	88-108-101-080	OE	C-RES,U 100-1/16W J	USM	CX-NDS50
X AMP		R 0144	88-108-101-080	OE	C-RES,U 100-1/16W J	USM	CX-NDS55
X AMP		R 0145	88-108-332-080	OE	C-RES,U 3.3K-1/16W J	USM	CX-NDS50
X AMP		R 0145	88-108-332-080	OE	C-RES,U 3.3K-1/16W J	USM	CX-NDS55
X AMP		R 0146	88-108-332-080	OE	C-RES,U 3.3K-1/16W J	USM	CX-NDS50
X AMP		R 0146	88-108-332-080	OE	C-RES,U 3.3K-1/16W J	USM	CX-NDS55
X AMP		R 0147	88-108-152-080	OE	C-RES,U 1.5K-1/16W J	USM	CX-NDS50
X AMP		R 0147	88-108-152-080	OE	C-RES,U 1.5K-1/16W J	USM	CX-NDS55
X AMP		R 0148	88-108-152-080	OE	C-RES,U 1.5K-1/16W J	USM	CX-NDS50
X AMP		R 0148	88-108-152-080	OE	C-RES,U 1.5K-1/16W J	USM	CX-NDS55
X AMP		R 0151	88-108-103-080	OE	C-RES,U 10K-1/16W J	USM	CX-NDS50
X AMP		R 0151	88-108-103-080	OE	C-RES,U 10K-1/16W J	USM	CX-NDS55
X AMP		R 0152	88-108-103-080	OE	C-RES,U 10K-1/16W J	USM	CX-NDS50
X AMP		R 0152	88-108-103-080	OE	C-RES,U 10K-1/16W J	USM	CX-NDS55
X AMP		R 0153	88-121-102-080	OE	RES,1K-1/8W J	USM	CX-NDS50
X AMP		R 0153	88-121-102-080	OE	RES,1K-1/8W J	USM	CX-NDS55
X AMP		R 0154	88-118-102-080	OE	C-RES,S 1K-1/10W J	USM	CX-NDS50
X AMP		R 0154	88-118-102-080	OE	C-RES,S 1K-1/10W J	USM	CX-NDS55
O AMP		R 0157	87-A00-258-080	OE	RES,M/F 0.22-1W J	USM	CX-NDS50
O AMP		R 0157	87-A00-258-080	OE	RES,M/F 0.22-1W J	USM	CX-NDS55
O AMP		R 0158	87-A00-258-080	OE	RES,M/F 0.22-1W J	USM	CX-NDS50
O AMP		R 0158	87-A00-258-080	OE	RES,M/F 0.22-1W J	USM	CX-NDS55

PARTS LIST

! = Δ SAFTY PARTS
 C = Components marked

All components used on this model at the production line are shown in this service manual.

However, please note that not all components will be available as spare parts for after-sales service.

Components marked S and O are designated as spare parts for service and will be stocked at the spare parts centers.

Components marked X and R are not designated as spare parts for after sales service, and will not be stocked at the spare parts centers.

K NO. = Only use Japanese.

! C	UNIT NAME	REF NO.	PARTS CODE	K NO.	DESCRIPTION	SUFFIX	MODEL NAME
O	AMP	R 0161	87-A00-258-080	OE	RES,M/F 0.22-1W J	USM	CX-NDS50
O	AMP	R 0161	87-A00-258-080	OE	RES,M/F 0.22-1W J	USM	CX-NDS55
O	AMP	R 0162	87-A00-258-080	OE	RES,M/F 0.22-1W J	USM	CX-NDS50
O	AMP	R 0162	87-A00-258-080	OE	RES,M/F 0.22-1W J	USM	CX-NDS55
X	AMP	R 0163	88-108-472-080	OE	C-RES,U 4.7K-1/16W J	USM	CX-NDS50
X	AMP	R 0163	88-108-472-080	OE	C-RES,U 4.7K-1/16W J	USM	CX-NDS55
X	AMP	R 0164	88-108-472-080	OE	C-RES,U 4.7K-1/16W J	USM	CX-NDS50
X	AMP	R 0164	88-108-472-080	OE	C-RES,U 4.7K-1/16W J	USM	CX-NDS55
X	AMP	R 0202	88-118-333-080	OE	C-RES,S 33K-1/10W J	USM	CX-NDS50
X	AMP	R 0202	88-118-333-080	OE	C-RES,S 33K-1/10W J	USM	CX-NDS55
X	AMP	R 0204	88-118-271-080	OE	C-RES,S 270-1/10W J	USM	CX-NDS50
X	AMP	R 0204	88-118-271-080	OE	C-RES,S 270-1/10W J	USM	CX-NDS55
X	AMP	R 0205	88-128-222-080	OE	C-RES, 2.2K-1/8W J	USM	CX-NDS50
X	AMP	R 0205	88-128-222-080	OE	C-RES, 2.2K-1/8W J	USM	CX-NDS55
X	AMP	R 0206	88-128-222-080	OE	C-RES, 2.2K-1/8W J	USM	CX-NDS50
X	AMP	R 0206	88-128-222-080	OE	C-RES, 2.2K-1/8W J	USM	CX-NDS55
X	AMP	R 0207	88-128-102-080	OE	C-RES, 1K-1/8W J	USM	CX-NDS50
X	AMP	R 0207	88-128-102-080	OE	C-RES, 1K-1/8W J	USM	CX-NDS55
X	AMP	R 0208	88-108-103-080	OE	C-RES,U 10K-1/16W J	USM	CX-NDS50
X	AMP	R 0208	88-108-103-080	OE	C-RES,U 10K-1/16W J	USM	CX-NDS55
X	AMP	R 0209	88-108-101-080	OE	C-RES,U 100-1/16W J	USM	CX-NDS50
X	AMP	R 0209	88-108-101-080	OE	C-RES,U 100-1/16W J	USM	CX-NDS55
X	AMP	R 0210	88-118-333-080	OE	C-RES,S 33K-1/10W J	USM	CX-NDS50
X	AMP	R 0210	88-118-333-080	OE	C-RES,S 33K-1/10W J	USM	CX-NDS55
X	AMP	R 0212	88-118-101-080	OE	C-RES,S 100-1/10W J	USM	CX-NDS50
X	AMP	R 0212	88-118-101-080	OE	C-RES,S 100-1/10W J	USM	CX-NDS55
X	AMP	R 0213	88-118-101-080	OE	C-RES,S 100-1/10W J	USM	CX-NDS50
X	AMP	R 0213	88-118-101-080	OE	C-RES,S 100-1/10W J	USM	CX-NDS55
X	AMP	R 0214	88-108-473-080	OE	C-RES,U 47K-1/16W J	USM	CX-NDS50
X	AMP	R 0214	88-108-473-080	OE	C-RES,U 47K-1/16W J	USM	CX-NDS55
X	AMP	R 0215	88-108-103-080	OE	C-RES,U 10K-1/16W J	USM	CX-NDS50
X	AMP	R 0215	88-108-103-080	OE	C-RES,U 10K-1/16W J	USM	CX-NDS55
X	AMP	R 0216	88-118-390-080	OE	C-RES,S 39-1/10W J	USM	CX-NDS50
X	AMP	R 0216	88-118-390-080	OE	C-RES,S 39-1/10W J	USM	CX-NDS55
X	AMP	R 0218	88-118-221-080	OE	C-RES,S 220-1/10W J	USM	CX-NDS50
X	AMP	R 0218	88-118-221-080	OE	C-RES,S 220-1/10W J	USM	CX-NDS55
X	AMP	R 0219	88-118-122-080	OE	C-RES,S 1.2K-1/10W J	USM	CX-NDS50
X	AMP	R 0219	88-118-122-080	OE	C-RES,S 1.2K-1/10W J	USM	CX-NDS55
X	AMP	R 0220	88-118-222-080	OE	C-RES,S 2.2K-1/10W J	USM	CX-NDS50
X	AMP	R 0220	88-118-222-080	OE	C-RES,S 2.2K-1/10W J	USM	CX-NDS55
X	AMP	R 0221	88-118-331-080	OE	C-RES,S 330-1/10W J	USM	CX-NDS50
X	AMP	R 0221	88-118-331-080	OE	C-RES,S 330-1/10W J	USM	CX-NDS55
X	AMP	R 0222	88-108-101-080	OE	C-RES,U 100-1/16W J	USM	CX-NDS50
X	AMP	R 0222	88-108-101-080	OE	C-RES,U 100-1/16W J	USM	CX-NDS55
X	AMP	R 0223	88-108-332-080	OE	C-RES,U 3.3K-1/16W J	USM	CX-NDS50
X	AMP	R 0223	88-108-332-080	OE	C-RES,U 3.3K-1/16W J	USM	CX-NDS55
X	AMP	R 0224	88-108-152-080	OE	C-RES,U 1.5K-1/16W J	USM	CX-NDS50
X	AMP	R 0224	88-108-152-080	OE	C-RES,U 1.5K-1/16W J	USM	CX-NDS55
X	AMP	R 0226	88-108-103-080	OE	C-RES,U 10K-1/16W J	USM	CX-NDS50
X	AMP	R 0226	88-108-103-080	OE	C-RES,U 10K-1/16W J	USM	CX-NDS55
X	AMP	R 0227	88-118-102-080	OE	C-RES,S 1K-1/10W J	USM	CX-NDS50
X	AMP	R 0227	88-118-102-080	OE	C-RES,S 1K-1/10W J	USM	CX-NDS55
O	AMP	R 0230	87-A00-258-080	OE	RES,M/F 0.22-1W J	USM	CX-NDS50
O	AMP	R 0230	87-A00-258-080	OE	RES,M/F 0.22-1W J	USM	CX-NDS55
O	AMP	R 0231	87-A00-258-080	OE	RES,M/F 0.22-1W J	USM	CX-NDS50
O	AMP	R 0231	87-A00-258-080	OE	RES,M/F 0.22-1W J	USM	CX-NDS55
X	AMP	R 0232	88-108-472-080	OE	C-RES,U 4.7K-1/16W J	USM	CX-NDS50
X	AMP	R 0232	88-108-472-080	OE	C-RES,U 4.7K-1/16W J	USM	CX-NDS55
X	AMP	R 0300	88-108-103-080	OE	C-RES,U 10K-1/16W J	USM	CX-NDS50
X	AMP	R 0300	88-108-103-080	OE	C-RES,U 10K-1/16W J	USM	CX-NDS55
X	AMP	R 0301	88-118-103-080	OE	C-RES,S 10K-1/10W J	USM	CX-NDS50
X	AMP	R 0301	88-118-103-080	OE	C-RES,S 10K-1/10W J	USM	CX-NDS55
X	AMP	R 0302	88-118-103-080	OE	C-RES,S 10K-1/10W J	USM	CX-NDS50
X	AMP	R 0302	88-118-103-080	OE	C-RES,S 10K-1/10W J	USM	CX-NDS55
X	AMP	R 0303	88-118-473-080	OE	C-RES,S 47K-1/10W J	USM	CX-NDS50
X	AMP	R 0303	88-118-473-080	OE	C-RES,S 47K-1/10W J	USM	CX-NDS55
X	AMP	R 0304	88-108-103-080	OE	C-RES,U 10K-1/16W J	USM	CX-NDS50
X	AMP	R 0304	88-108-103-080	OE	C-RES,U 10K-1/16W J	USM	CX-NDS55
X	AMP	R 0310	88-118-473-080	OE	C-RES,S 47K-1/10W J	USM	CX-NDS50
X	AMP	R 0310	88-118-473-080	OE	C-RES,S 47K-1/10W J	USM	CX-NDS55

PARTS LIST

! = Δ SAFTY PARTS
 C = Components marked

All components used on this model at the production line are shown in this service manual.

However, please note that not all components will be available as spare parts for after-sales service.

Components marked S and O are designated as spare parts for service and will be stocked at the spare parts centers.

Components marked X and R are not designated as spare parts for after sales service, and will not be stocked at the spare parts centers.

K NO. = Only use Japanese.

! C	UNIT NAME	REF NO.	PARTS CODE	K NO.	DESCRIPTION	SUFFIX	MODEL NAME
X	AMP	R 0311	88-108-182-080	0E	C-RES,U 1.8K-1/16W J	USM	CX-NDS50
X	AMP	R 0311	88-108-182-080	0E	C-RES,U 1.8K-1/16W J	USM	CX-NDS55
X	AMP	R 0312	88-118-103-080	0E	C-RES,S 10K-1/10W J	USM	CX-NDS50
X	AMP	R 0312	88-118-103-080	0E	C-RES,S 10K-1/10W J	USM	CX-NDS55
X	AMP	R 0313	88-108-473-080	0E	C-RES,U 47K-1/16W J	USM	CX-NDS50
X	AMP	R 0313	88-108-473-080	0E	C-RES,U 47K-1/16W J	USM	CX-NDS55
X	AMP	R 0314	88-121-473-080	0E	RES,47K-1/8W J	USM	CX-NDS50
X	AMP	R 0314	88-121-473-080	0E	RES,47K-1/8W J	USM	CX-NDS55
X	AMP	R 0315	88-108-473-080	0E	C-RES,U 47K-1/16W J	USM	CX-NDS50
X	AMP	R 0315	88-108-473-080	0E	C-RES,U 47K-1/16W J	USM	CX-NDS55
X	AMP	R 0401	88-130-100-080	0E	RES,10-1/4W J	USM	CX-NDS50
X	AMP	R 0401	88-130-100-080	0E	RES,10-1/4W J	USM	CX-NDS55
X	AMP	R 0402	88-130-100-080	0E	RES,10-1/4W J	USM	CX-NDS50
X	AMP	R 0402	88-130-100-080	0E	RES,10-1/4W J	USM	CX-NDS55
X	AMP	R 0403	88-128-562-080	0E	C-RES, 5.6K-1/8W J	USM	CX-NDS50
X	AMP	R 0403	88-128-562-080	0E	C-RES, 5.6K-1/8W J	USM	CX-NDS55
X	AMP	R 0404	88-128-562-080	0E	C-RES, 5.6K-1/8W J	USM	CX-NDS50
X	AMP	R 0404	88-128-562-080	0E	C-RES, 5.6K-1/8W J	USM	CX-NDS55
X	AMP	R 0405	88-128-100-080	0E	C-RES, 10-1/8W J	USM	CX-NDS50
X	AMP	R 0405	88-128-100-080	0E	C-RES, 10-1/8W J	USM	CX-NDS55
X	AMP	R 0406	88-128-100-080	0E	C-RES, 10-1/8W J	USM	CX-NDS50
X	AMP	R 0406	88-128-100-080	0E	C-RES, 10-1/8W J	USM	CX-NDS55
X	AMP	R 0411	88-130-100-080	0E	RES,10-1/4W J	USM	CX-NDS50
X	AMP	R 0411	88-130-100-080	0E	RES,10-1/4W J	USM	CX-NDS55
X	AMP	R 0412	88-128-562-080	0E	C-RES, 5.6K-1/8W J	USM	CX-NDS50
X	AMP	R 0412	88-128-562-080	0E	C-RES, 5.6K-1/8W J	USM	CX-NDS55
X	AMP	R 0413	88-128-100-080	0E	C-RES, 10-1/8W J	USM	CX-NDS50
X	AMP	R 0413	88-128-100-080	0E	C-RES, 10-1/8W J	USM	CX-NDS55
O	AMP	TH 0101	87-A91-042-080	0E	C-THMS,100K 55001	USM	CX-NDS50
O	AMP	TH 0101	87-A91-042-080	0E	C-THMS,100K 55001	USM	CX-NDS55
O	AMP	TH 0102	87-A91-042-080	0E	C-THMS,100K 55001	USM	CX-NDS50
O	AMP	TH 0102	87-A91-042-080	0E	C-THMS,100K 55001	USM	CX-NDS55
O	AMP	TH 0201	87-A91-042-080	0E	C-THMS,100K 55001	USM	CX-NDS50
O	AMP	TH 0201	87-A91-042-080	0E	C-THMS,100K 55001	USM	CX-NDS55
O	AMP	W 0201	8B-NCK-607-010	0E	F-CABLE,6P 2.5 130MM	USM	CX-NDS50
O	AMP	W 0201	8B-NCK-607-010	0E	F-CABLE,6P 2.5 130MM	USM	CX-NDS55
!	X AMP	WH 0201	87-A90-508-010	0E	HLD R,WIRE 2.5-6P	USM	CX-NDS50
!	X AMP	WH 0201	87-A90-508-010	0E	HLD R,WIRE 2.5-6P	USM	CX-NDS55
!	X AMP	WH 0401	87-A90-508-010	0E	HLD R,WIRE 2.5-6P	USM	CX-NDS50
!	X AMP	WH 0401	87-A90-508-010	0E	HLD R,WIRE 2.5-6P	USM	CX-NDS55
O	APPEARANCE		8B-NCK-001-010	1H	CABI,FR U	USM	CX-NDS50
O	APPEARANCE		8B-NCK-001-010	1H	CABI,FR U	USM	CX-NDS55
O	APPEARANCE		8B-NCK-008-010	1B	PANEL,RIGHT BNC-19	USM	CX-NDS50
O	APPEARANCE		8B-NCK-008-010	1B	PANEL,RIGHT BNC-19	USM	CX-NDS55
O	APPEARANCE		8B-NCK-011-010	1A	WINDOW,DISP U	USM	CX-NDS50
O	APPEARANCE		8B-NCK-013-010	1A	WINDOW,DISP U DS55	USM	CX-NDS55
O	APPEARANCE		8B-NCK-031-010	1D	PANEL,REAR USM	USM	CX-NDS50
O	APPEARANCE		8B-NCK-032-010	1D	PANEL,REAR USM DS55	USM	CX-NDS55
O	APPEARANCE		8B-NFK-003-010	1B	BOX,CASS 1	USM	CX-NDS50
O	APPEARANCE		8B-NFK-003-010	1B	BOX,CASS 1	USM	CX-NDS55
O	APPEARANCE		8B-NFK-004-010	1B	BOX,CASS 2	USM	CX-NDS50
O	APPEARANCE		8B-NFK-004-010	1B	BOX,CASS 2	USM	CX-NDS55
O	APPEARANCE		8B-NFK-006-010	1B	PANEL,LEFT	USM	CX-NDS50
O	APPEARANCE		8B-NFK-006-010	1B	PANEL,LEFT	USM	CX-NDS55
O	APPEARANCE		8B-NFK-008-010	1A	PANEL,TRAY	USM	CX-NDS50
O	APPEARANCE		8B-NFK-008-010	1A	PANEL,TRAY	USM	CX-NDS55
O	APPEARANCE		8B-NFK-011-010	1A	WINDOW,CASS 1 1WAY	USM	CX-NDS50
O	APPEARANCE		8B-NFK-011-010	1A	WINDOW,CASS 1 1WAY	USM	CX-NDS55
O	APPEARANCE		8B-NFK-012-010	1A	WINDOW,CASS 2	USM	CX-NDS50
O	APPEARANCE		8B-NFK-012-010	1A	WINDOW,CASS 2	USM	CX-NDS55
O	APPEARANCE		8B-NFK-013-010	0E	WINDOW,TRAY	USM	CX-NDS50
O	APPEARANCE		8B-NFK-013-010	0E	WINDOW,TRAY	USM	CX-NDS55
O	APPEARANCE		8B-NFK-033-010	1C	PANEL,FR U	USM	CX-NDS50
O	APPEARANCE		8B-NFK-033-010	1C	PANEL,FR U	USM	CX-NDS55
O	APPEARANCE		8B-NFK-040-010	1C	PANEL,TOP	USM	CX-NDS50
O	APPEARANCE		8B-NFK-040-010	1C	PANEL,TOP	USM	CX-NDS55
X	CD		M8-BZG-590-130	--	BZG-5 ZD3NM	USM	CX-NDS50
X	CD		M8-BZG-590-130	--	BZG-5 ZD3NM	USM	CX-NDS55
X	DOLBY DIGITAL	*	8B-NCK-660-010	1E	PWB,AC-3	USM	CX-NDS50
X	DOLBY DIGITAL	*	8B-NCK-660-010	1E	PWB,AC-3	USM	CX-NDS55

PARTS LIST

! = Δ SAFTY PARTS
 C = Components marked

All components used on this model at the production line are shown in this service manual.

However, please note that not all components will be available as spare parts for after-sales service.

Components marked S and O are designated as spare parts for service and will be stocked at the spare parts centers.

Components marked X and R are not designated as spare parts for after sales service, and will not be stocked at the spare parts centers.

K NO. = Only use Japanese.

! C	UNIT NAME	REF NO.	PARTS CODE	K NO.	DESCRIPTION	SUFFIX	MODEL NAME
O	DOLBY DIGITAL	C 0101	87-A12-091-080	0E	CAP,E 10-50 SMG	USM	CX-NDS50
O	DOLBY DIGITAL	C 0101	87-A12-091-080	0E	CAP,E 10-50 SMG	USM	CX-NDS55
O	DOLBY DIGITAL	C 0102	87-A12-091-080	0E	CAP,E 10-50 SMG	USM	CX-NDS50
O	DOLBY DIGITAL	C 0102	87-A12-091-080	0E	CAP,E 10-50 SMG	USM	CX-NDS55
O	DOLBY DIGITAL	C 0103	87-012-172-080	0E	C-CAP,U 10P-50 D CH	USM	CX-NDS50
O	DOLBY DIGITAL	C 0103	87-012-172-080	0E	C-CAP,U 10P-50 D CH	USM	CX-NDS55
O	DOLBY DIGITAL	C 0104	87-012-172-080	0E	C-CAP,U 10P-50 D CH	USM	CX-NDS50
O	DOLBY DIGITAL	C 0104	87-012-172-080	0E	C-CAP,U 10P-50 D CH	USM	CX-NDS55
O	DOLBY DIGITAL	C 0105	87-010-831-080	0E	C-CAP,U 0.1-16 Z F	USM	CX-NDS50
O	DOLBY DIGITAL	C 0105	87-010-831-080	0E	C-CAP,U 0.1-16 Z F	USM	CX-NDS55
O	DOLBY DIGITAL	C 0106	87-010-831-080	0E	C-CAP,U 0.1-16 Z F	USM	CX-NDS50
O	DOLBY DIGITAL	C 0106	87-010-831-080	0E	C-CAP,U 0.1-16 Z F	USM	CX-NDS55
O	DOLBY DIGITAL	C 0107	87-A12-091-080	0E	CAP,E 10-50 SMG	USM	CX-NDS50
O	DOLBY DIGITAL	C 0107	87-A12-091-080	0E	CAP,E 10-50 SMG	USM	CX-NDS55
O	DOLBY DIGITAL	C 0108	87-A12-091-080	0E	CAP,E 10-50 SMG	USM	CX-NDS50
O	DOLBY DIGITAL	C 0108	87-A12-091-080	0E	CAP,E 10-50 SMG	USM	CX-NDS55
O	DOLBY DIGITAL	C 0113	87-012-268-080	0E	C-CAP,U 330P-50 K B GRM	USM	CX-NDS50
O	DOLBY DIGITAL	C 0113	87-012-268-080	0E	C-CAP,U 330P-50 K B GRM	USM	CX-NDS55
O	DOLBY DIGITAL	C 0114	87-012-268-080	0E	C-CAP,U 330P-50 K B GRM	USM	CX-NDS50
O	DOLBY DIGITAL	C 0114	87-012-268-080	0E	C-CAP,U 330P-50 K B GRM	USM	CX-NDS55
O	DOLBY DIGITAL	C 0115	87-012-284-080	0E	C-CAP,U 6800P-50 K B GRM	USM	CX-NDS50
O	DOLBY DIGITAL	C 0115	87-012-284-080	0E	C-CAP,U 6800P-50 K B GRM	USM	CX-NDS55
O	DOLBY DIGITAL	C 0116	87-012-284-080	0E	C-CAP,U 6800P-50 K B GRM	USM	CX-NDS50
O	DOLBY DIGITAL	C 0116	87-012-284-080	0E	C-CAP,U 6800P-50 K B GRM	USM	CX-NDS55
O	DOLBY DIGITAL	C 0117	87-012-277-080	0E	C-CAP,U 1800P-50 K B GRM	USM	CX-NDS50
O	DOLBY DIGITAL	C 0117	87-012-277-080	0E	C-CAP,U 1800P-50 K B GRM	USM	CX-NDS55
O	DOLBY DIGITAL	C 0118	87-012-277-080	0E	C-CAP,U 1800P-50 K B GRM	USM	CX-NDS50
O	DOLBY DIGITAL	C 0118	87-012-277-080	0E	C-CAP,U 1800P-50 K B GRM	USM	CX-NDS55
O	DOLBY DIGITAL	C 0119	87-012-282-080	0E	C-CAP,U 4700P-50 K B	USM	CX-NDS50
O	DOLBY DIGITAL	C 0119	87-012-282-080	0E	C-CAP,U 4700P-50 K B	USM	CX-NDS55
O	DOLBY DIGITAL	C 0120	87-012-282-080	0E	C-CAP,U 4700P-50 K B	USM	CX-NDS50
O	DOLBY DIGITAL	C 0120	87-012-282-080	0E	C-CAP,U 4700P-50 K B	USM	CX-NDS55
O	DOLBY DIGITAL	C 0121	87-012-277-080	0E	C-CAP,U 1800P-50 K B GRM	USM	CX-NDS50
O	DOLBY DIGITAL	C 0121	87-012-277-080	0E	C-CAP,U 1800P-50 K B GRM	USM	CX-NDS55
O	DOLBY DIGITAL	C 0122	87-012-277-080	0E	C-CAP,U 1800P-50 K B GRM	USM	CX-NDS50
O	DOLBY DIGITAL	C 0122	87-012-277-080	0E	C-CAP,U 1800P-50 K B GRM	USM	CX-NDS55
O	DOLBY DIGITAL	C 0123	87-A12-091-080	0E	CAP,E 10-50 SMG	USM	CX-NDS50
O	DOLBY DIGITAL	C 0123	87-A12-091-080	0E	CAP,E 10-50 SMG	USM	CX-NDS55
O	DOLBY DIGITAL	C 0124	87-A12-091-080	0E	CAP,E 10-50 SMG	USM	CX-NDS50
O	DOLBY DIGITAL	C 0124	87-A12-091-080	0E	CAP,E 10-50 SMG	USM	CX-NDS55
O	DOLBY DIGITAL	C 0126	87-A12-091-080	0E	CAP,E 10-50 SMG	USM	CX-NDS50
O	DOLBY DIGITAL	C 0126	87-A12-091-080	0E	CAP,E 10-50 SMG	USM	CX-NDS55
O	DOLBY DIGITAL	C 0151	87-A12-091-080	0E	CAP,E 10-50 SMG	USM	CX-NDS50
O	DOLBY DIGITAL	C 0151	87-A12-091-080	0E	CAP,E 10-50 SMG	USM	CX-NDS55
O	DOLBY DIGITAL	C 0152	87-A12-091-080	0E	CAP,E 10-50 SMG	USM	CX-NDS50
O	DOLBY DIGITAL	C 0152	87-A12-091-080	0E	CAP,E 10-50 SMG	USM	CX-NDS55
O	DOLBY DIGITAL	C 0153	87-012-172-080	0E	C-CAP,U 10P-50 D CH	USM	CX-NDS50
O	DOLBY DIGITAL	C 0153	87-012-172-080	0E	C-CAP,U 10P-50 D CH	USM	CX-NDS55
O	DOLBY DIGITAL	C 0154	87-012-172-080	0E	C-CAP,U 10P-50 D CH	USM	CX-NDS50
O	DOLBY DIGITAL	C 0154	87-012-172-080	0E	C-CAP,U 10P-50 D CH	USM	CX-NDS55
O	DOLBY DIGITAL	C 0155	87-010-831-080	0E	C-CAP,U 0.1-16 Z F	USM	CX-NDS50
O	DOLBY DIGITAL	C 0155	87-010-831-080	0E	C-CAP,U 0.1-16 Z F	USM	CX-NDS55
O	DOLBY DIGITAL	C 0156	87-010-831-080	0E	C-CAP,U 0.1-16 Z F	USM	CX-NDS50
O	DOLBY DIGITAL	C 0156	87-010-831-080	0E	C-CAP,U 0.1-16 Z F	USM	CX-NDS55
X	DOLBY DIGITAL	C 0159	88-108-000-080	0E	C-JUMPER,U	USM	CX-NDS50
X	DOLBY DIGITAL	C 0159	88-108-000-080	0E	C-JUMPER,U	USM	CX-NDS55
X	DOLBY DIGITAL	C 0160	88-108-000-080	0E	C-JUMPER,U	USM	CX-NDS50
X	DOLBY DIGITAL	C 0160	88-108-000-080	0E	C-JUMPER,U	USM	CX-NDS55
O	DOLBY DIGITAL	C 0161	87-012-268-080	0E	C-CAP,U 330P-50 K B GRM	USM	CX-NDS50
O	DOLBY DIGITAL	C 0161	87-012-268-080	0E	C-CAP,U 330P-50 K B GRM	USM	CX-NDS55
O	DOLBY DIGITAL	C 0162	87-012-268-080	0E	C-CAP,U 330P-50 K B GRM	USM	CX-NDS50
O	DOLBY DIGITAL	C 0162	87-012-268-080	0E	C-CAP,U 330P-50 K B GRM	USM	CX-NDS55
O	DOLBY DIGITAL	C 0163	87-010-831-080	0E	C-CAP,U 0.1-16 Z F	USM	CX-NDS50
O	DOLBY DIGITAL	C 0163	87-010-831-080	0E	C-CAP,U 0.1-16 Z F	USM	CX-NDS55
O	DOLBY DIGITAL	C 0164	87-010-831-080	0E	C-CAP,U 0.1-16 Z F	USM	CX-NDS50
O	DOLBY DIGITAL	C 0164	87-010-831-080	0E	C-CAP,U 0.1-16 Z F	USM	CX-NDS55
O	DOLBY DIGITAL	C 0165	87-012-284-080	0E	C-CAP,U 6800P-50 K B GRM	USM	CX-NDS50
O	DOLBY DIGITAL	C 0165	87-012-284-080	0E	C-CAP,U 6800P-50 K B GRM	USM	CX-NDS55
O	DOLBY DIGITAL	C 0166	87-012-284-080	0E	C-CAP,U 6800P-50 K B GRM	USM	CX-NDS50
O	DOLBY DIGITAL	C 0166	87-012-284-080	0E	C-CAP,U 6800P-50 K B GRM	USM	CX-NDS55

PARTS LIST

! = Δ SAFTY PARTS
 C = Components marked

All components used on this model at the production line are shown in this service manual.

However, please note that not all components will be available as spare parts for after-sales service.

Components marked S and O are designated as spare parts for service and will be stocked at the spare parts centers.

Components marked X and R are not designated as spare parts for after sales service, and will not be stocked at the spare parts centers.

K NO. = Only use Japanese.

! C	UNIT NAME	REF NO.	PARTS CODE	K NO.	DESCRIPTION	SUFFIX	MODEL NAME
O	DOLBY DIGITAL	C 0167	87-012-277-080	0E	C-CAP,U 1800P-50 K B GRM	USM	CX-NDS50
O	DOLBY DIGITAL	C 0167	87-012-277-080	0E	C-CAP,U 1800P-50 K B GRM	USM	CX-NDS55
O	DOLBY DIGITAL	C 0168	87-012-277-080	0E	C-CAP,U 1800P-50 K B GRM	USM	CX-NDS50
O	DOLBY DIGITAL	C 0168	87-012-277-080	0E	C-CAP,U 1800P-50 K B GRM	USM	CX-NDS55
O	DOLBY DIGITAL	C 0169	87-012-277-080	0E	C-CAP,U 1800P-50 K B GRM	USM	CX-NDS50
O	DOLBY DIGITAL	C 0169	87-012-277-080	0E	C-CAP,U 1800P-50 K B GRM	USM	CX-NDS55
O	DOLBY DIGITAL	C 0170	87-012-277-080	0E	C-CAP,U 1800P-50 K B GRM	USM	CX-NDS50
O	DOLBY DIGITAL	C 0170	87-012-277-080	0E	C-CAP,U 1800P-50 K B GRM	USM	CX-NDS55
O	DOLBY DIGITAL	C 0171	87-012-282-080	0E	C-CAP,U 4700P-50 K B	USM	CX-NDS50
O	DOLBY DIGITAL	C 0171	87-012-282-080	0E	C-CAP,U 4700P-50 K B	USM	CX-NDS55
O	DOLBY DIGITAL	C 0172	87-012-282-080	0E	C-CAP,U 4700P-50 K B	USM	CX-NDS50
O	DOLBY DIGITAL	C 0172	87-012-282-080	0E	C-CAP,U 4700P-50 K B	USM	CX-NDS55
O	DOLBY DIGITAL	C 0173	87-A12-091-080	0E	CAP,E 10-50 SMG	USM	CX-NDS50
O	DOLBY DIGITAL	C 0173	87-A12-091-080	0E	CAP,E 10-50 SMG	USM	CX-NDS55
O	DOLBY DIGITAL	C 0174	87-A12-091-080	0E	CAP,E 10-50 SMG	USM	CX-NDS50
O	DOLBY DIGITAL	C 0174	87-A12-091-080	0E	CAP,E 10-50 SMG	USM	CX-NDS55
O	DOLBY DIGITAL	C 0201	87-A12-091-080	0E	CAP,E 10-50 SMG	USM	CX-NDS50
O	DOLBY DIGITAL	C 0201	87-A12-091-080	0E	CAP,E 10-50 SMG	USM	CX-NDS55
O	DOLBY DIGITAL	C 0202	87-A12-091-080	0E	CAP,E 10-50 SMG	USM	CX-NDS50
O	DOLBY DIGITAL	C 0202	87-A12-091-080	0E	CAP,E 10-50 SMG	USM	CX-NDS55
O	DOLBY DIGITAL	C 0203	87-012-172-080	0E	C-CAP,U 10P-50 D CH	USM	CX-NDS50
O	DOLBY DIGITAL	C 0203	87-012-172-080	0E	C-CAP,U 10P-50 D CH	USM	CX-NDS55
O	DOLBY DIGITAL	C 0204	87-012-274-080	0E	C-CAP,U 1000P-50 K B	USM	CX-NDS50
O	DOLBY DIGITAL	C 0204	87-012-274-080	0E	C-CAP,U 1000P-50 K B	USM	CX-NDS55
O	DOLBY DIGITAL	C 0205	87-010-831-080	0E	C-CAP,U 0.1-16 Z F	USM	CX-NDS50
O	DOLBY DIGITAL	C 0205	87-010-831-080	0E	C-CAP,U 0.1-16 Z F	USM	CX-NDS55
O	DOLBY DIGITAL	C 0206	87-010-831-080	0E	C-CAP,U 0.1-16 Z F	USM	CX-NDS50
O	DOLBY DIGITAL	C 0206	87-010-831-080	0E	C-CAP,U 0.1-16 Z F	USM	CX-NDS55
X	DOLBY DIGITAL	C 0209	88-108-000-080	0E	C-JUMPER,U	USM	CX-NDS50
X	DOLBY DIGITAL	C 0209	88-108-000-080	0E	C-JUMPER,U	USM	CX-NDS55
O	DOLBY DIGITAL	C 0211	87-012-268-080	0E	C-CAP,U 330P-50 K B GRM	USM	CX-NDS50
O	DOLBY DIGITAL	C 0211	87-012-268-080	0E	C-CAP,U 330P-50 K B GRM	USM	CX-NDS55
O	DOLBY DIGITAL	C 0212	87-016-115-080	0E	C-CAP,U 0.012-25 J B	USM	CX-NDS50
O	DOLBY DIGITAL	C 0212	87-016-115-080	0E	C-CAP,U 0.012-25 J B	USM	CX-NDS55
O	DOLBY DIGITAL	C 0213	87-010-831-080	0E	C-CAP,U 0.1-16 Z F	USM	CX-NDS50
O	DOLBY DIGITAL	C 0213	87-010-831-080	0E	C-CAP,U 0.1-16 Z F	USM	CX-NDS55
O	DOLBY DIGITAL	C 0214	87-010-831-080	0E	C-CAP,U 0.1-16 Z F	USM	CX-NDS50
O	DOLBY DIGITAL	C 0214	87-010-831-080	0E	C-CAP,U 0.1-16 Z F	USM	CX-NDS55
O	DOLBY DIGITAL	C 0215	87-012-284-080	0E	C-CAP,U 6800P-50 K B GRM	USM	CX-NDS50
O	DOLBY DIGITAL	C 0215	87-012-284-080	0E	C-CAP,U 6800P-50 K B GRM	USM	CX-NDS55
O	DOLBY DIGITAL	C 0216	87-A11-183-080	0E	C-CAP,S 0.12-16 J B	USM	CX-NDS50
O	DOLBY DIGITAL	C 0216	87-A11-183-080	0E	C-CAP,S 0.12-16 J B	USM	CX-NDS55
O	DOLBY DIGITAL	C 0217	87-012-277-080	0E	C-CAP,U 1800P-50 K B GRM	USM	CX-NDS50
O	DOLBY DIGITAL	C 0217	87-012-277-080	0E	C-CAP,U 1800P-50 K B GRM	USM	CX-NDS55
O	DOLBY DIGITAL	C 0219	87-012-277-080	0E	C-CAP,U 1800P-50 K B GRM	USM	CX-NDS50
O	DOLBY DIGITAL	C 0219	87-012-277-080	0E	C-CAP,U 1800P-50 K B GRM	USM	CX-NDS55
O	DOLBY DIGITAL	C 0221	87-012-282-080	0E	C-CAP,U 4700P-50 K B	USM	CX-NDS50
O	DOLBY DIGITAL	C 0221	87-012-282-080	0E	C-CAP,U 4700P-50 K B	USM	CX-NDS55
O	DOLBY DIGITAL	C 0223	87-A12-091-080	0E	CAP,E 10-50 SMG	USM	CX-NDS50
O	DOLBY DIGITAL	C 0223	87-A12-091-080	0E	CAP,E 10-50 SMG	USM	CX-NDS55
O	DOLBY DIGITAL	C 0224	87-A12-091-080	0E	CAP,E 10-50 SMG	USM	CX-NDS50
O	DOLBY DIGITAL	C 0224	87-A12-091-080	0E	CAP,E 10-50 SMG	USM	CX-NDS55
O	DOLBY DIGITAL	C 0401	87-A10-260-080	0E	C-CAP,U 0.1-16 K B	USM	CX-NDS50
O	DOLBY DIGITAL	C 0401	87-A10-260-080	0E	C-CAP,U 0.1-16 K B	USM	CX-NDS55
O	DOLBY DIGITAL	C 0404	87-A10-260-080	0E	C-CAP,U 0.1-16 K B	USM	CX-NDS50
O	DOLBY DIGITAL	C 0404	87-A10-260-080	0E	C-CAP,U 0.1-16 K B	USM	CX-NDS55
O	DOLBY DIGITAL	C 0503	87-A12-088-080	0E	CAP,E 2.2-50 SMG	USM	CX-NDS50
O	DOLBY DIGITAL	C 0503	87-A12-088-080	0E	CAP,E 2.2-50 SMG	USM	CX-NDS55
O	DOLBY DIGITAL	C 0504	87-A12-088-080	0E	CAP,E 2.2-50 SMG	USM	CX-NDS50
O	DOLBY DIGITAL	C 0504	87-A12-088-080	0E	CAP,E 2.2-50 SMG	USM	CX-NDS55
O	DOLBY DIGITAL	C 0505	87-A12-090-080	0E	CAP,E 4.7-50 SMG	USM	CX-NDS50
O	DOLBY DIGITAL	C 0505	87-A12-090-080	0E	CAP,E 4.7-50 SMG	USM	CX-NDS55
O	DOLBY DIGITAL	C 0506	87-A12-090-080	0E	CAP,E 4.7-50 SMG	USM	CX-NDS50
O	DOLBY DIGITAL	C 0506	87-A12-090-080	0E	CAP,E 4.7-50 SMG	USM	CX-NDS55
O	DOLBY DIGITAL	C 0507	87-A12-090-080	0E	CAP,E 4.7-50 SMG	USM	CX-NDS50
O	DOLBY DIGITAL	C 0507	87-A12-090-080	0E	CAP,E 4.7-50 SMG	USM	CX-NDS55
O	DOLBY DIGITAL	C 0508	87-A12-090-080	0E	CAP,E 4.7-50 SMG	USM	CX-NDS50
O	DOLBY DIGITAL	C 0508	87-A12-090-080	0E	CAP,E 4.7-50 SMG	USM	CX-NDS55
O	DOLBY DIGITAL	C 0511	87-012-275-080	0E	C-CAP,U 1200P-50 K B GRM	USM	CX-NDS50
O	DOLBY DIGITAL	C 0511	87-012-275-080	0E	C-CAP,U 1200P-50 K B GRM	USM	CX-NDS55

PARTS LIST

! = Δ SAFTY PARTS
 C = Components marked

All components used on this model at the production line are shown in this service manual.

However, please note that not all components will be available as spare parts for after-sales service.

Components marked S and O are designated as spare parts for service and will be stocked at the spare parts centers.

Components marked X and R are not designated as spare parts for after sales service, and will not be stocked at the spare parts centers.

K NO. = Only use Japanese.

! C	UNIT NAME	REF NO.	PARTS CODE	K NO.	DESCRIPTION	SUFFIX	MODEL NAME
O	DOLBY DIGITAL	C 0512	87-012-275-080	0E	C-CAP,U 1200P-50 K B GRM	USM	CX-NDS50
O	DOLBY DIGITAL	C 0512	87-012-275-080	0E	C-CAP,U 1200P-50 K B GRM	USM	CX-NDS55
O	DOLBY DIGITAL	C 0513	87-A10-918-080	0E	CAP,E 100-16 SMG	USM	CX-NDS50
O	DOLBY DIGITAL	C 0513	87-A10-918-080	0E	CAP,E 100-16 SMG	USM	CX-NDS55
O	DOLBY DIGITAL	C 0551	87-A10-047-080	0E	C-CAP,U 1-10 Z F	USM	CX-NDS50
O	DOLBY DIGITAL	C 0551	87-A10-047-080	0E	C-CAP,U 1-10 Z F	USM	CX-NDS55
O	DOLBY DIGITAL	C 0552	87-A10-047-080	0E	C-CAP,U 1-10 Z F	USM	CX-NDS50
O	DOLBY DIGITAL	C 0552	87-A10-047-080	0E	C-CAP,U 1-10 Z F	USM	CX-NDS55
O	DOLBY DIGITAL	C 0553	87-010-831-080	0E	C-CAP,U 0.1-16 Z F	USM	CX-NDS50
O	DOLBY DIGITAL	C 0553	87-010-831-080	0E	C-CAP,U 0.1-16 Z F	USM	CX-NDS55
O	DOLBY DIGITAL	C 0601	87-A12-091-080	0E	CAP,E 10-50 SMG	USM	CX-NDS50
O	DOLBY DIGITAL	C 0601	87-A12-091-080	0E	CAP,E 10-50 SMG	USM	CX-NDS55
O	DOLBY DIGITAL	C 0602	87-A10-260-080	0E	C-CAP,U 0.1-16 K B	USM	CX-NDS50
O	DOLBY DIGITAL	C 0602	87-A10-260-080	0E	C-CAP,U 0.1-16 K B	USM	CX-NDS55
O	DOLBY DIGITAL	C 0603	87-A12-091-080	0E	CAP,E 10-50 SMG	USM	CX-NDS50
O	DOLBY DIGITAL	C 0603	87-A12-091-080	0E	CAP,E 10-50 SMG	USM	CX-NDS55
O	DOLBY DIGITAL	C 0604	87-A10-260-080	0E	C-CAP,U 0.1-16 K B	USM	CX-NDS50
O	DOLBY DIGITAL	C 0604	87-A10-260-080	0E	C-CAP,U 0.1-16 K B	USM	CX-NDS55
O	DOLBY DIGITAL	C 0606	87-012-195-080	0E	C-CAP,U 100P-50 J CH	USM	CX-NDS50
O	DOLBY DIGITAL	C 0606	87-012-195-080	0E	C-CAP,U 100P-50 J CH	USM	CX-NDS55
O	DOLBY DIGITAL	C 0617	87-A12-087-080	0E	CAP,E 1-50 SMG	USM	CX-NDS50
O	DOLBY DIGITAL	C 0617	87-A12-087-080	0E	CAP,E 1-50 SMG	USM	CX-NDS55
O	DOLBY DIGITAL	C 0618	87-010-831-080	0E	C-CAP,U 0.1-16 Z F	USM	CX-NDS50
O	DOLBY DIGITAL	C 0618	87-010-831-080	0E	C-CAP,U 0.1-16 Z F	USM	CX-NDS55
O	DOLBY DIGITAL	C 0621	87-A12-091-080	0E	CAP,E 10-50 SMG	USM	CX-NDS50
O	DOLBY DIGITAL	C 0621	87-A12-091-080	0E	CAP,E 10-50 SMG	USM	CX-NDS55
O	DOLBY DIGITAL	C 0624	87-A10-260-080	0E	C-CAP,U 0.1-16 K B	USM	CX-NDS50
O	DOLBY DIGITAL	C 0624	87-A10-260-080	0E	C-CAP,U 0.1-16 K B	USM	CX-NDS55
O	DOLBY DIGITAL	C 0651	87-016-251-080	0E	CAP,E 220-16 M SMG	USM	CX-NDS50
O	DOLBY DIGITAL	C 0651	87-016-251-080	0E	CAP,E 220-16 M SMG	USM	CX-NDS55
O	DOLBY DIGITAL	C 0653	87-010-831-080	0E	C-CAP,U 0.1-16 Z F	USM	CX-NDS50
O	DOLBY DIGITAL	C 0653	87-010-831-080	0E	C-CAP,U 0.1-16 Z F	USM	CX-NDS55
O	DOLBY DIGITAL	C 0654	87-010-831-080	0E	C-CAP,U 0.1-16 Z F	USM	CX-NDS50
O	DOLBY DIGITAL	C 0654	87-010-831-080	0E	C-CAP,U 0.1-16 Z F	USM	CX-NDS55
O	DOLBY DIGITAL	C 0655	87-A12-087-080	0E	CAP,E 1-50 SMG	USM	CX-NDS50
O	DOLBY DIGITAL	C 0655	87-A12-087-080	0E	CAP,E 1-50 SMG	USM	CX-NDS55
O	DOLBY DIGITAL	C 0656	87-A12-091-080	0E	CAP,E 10-50 SMG	USM	CX-NDS50
O	DOLBY DIGITAL	C 0656	87-A12-091-080	0E	CAP,E 10-50 SMG	USM	CX-NDS55
O	DOLBY DIGITAL	C 0657	87-010-831-080	0E	C-CAP,U 0.1-16 Z F	USM	CX-NDS50
O	DOLBY DIGITAL	C 0657	87-010-831-080	0E	C-CAP,U 0.1-16 Z F	USM	CX-NDS55
O	DOLBY DIGITAL	C 0658	87-010-831-080	0E	C-CAP,U 0.1-16 Z F	USM	CX-NDS50
O	DOLBY DIGITAL	C 0658	87-010-831-080	0E	C-CAP,U 0.1-16 Z F	USM	CX-NDS55
O	DOLBY DIGITAL	C 0659	87-010-831-080	0E	C-CAP,U 0.1-16 Z F	USM	CX-NDS50
O	DOLBY DIGITAL	C 0659	87-010-831-080	0E	C-CAP,U 0.1-16 Z F	USM	CX-NDS55
X	DOLBY DIGITAL	C 0661	88-108-000-080	0E	C-JUMPER,U	USM	CX-NDS50
X	DOLBY DIGITAL	C 0661	88-108-000-080	0E	C-JUMPER,U	USM	CX-NDS55
O	DOLBY DIGITAL	C 0662	87-010-831-080	0E	C-CAP,U 0.1-16 Z F	USM	CX-NDS50
O	DOLBY DIGITAL	C 0662	87-010-831-080	0E	C-CAP,U 0.1-16 Z F	USM	CX-NDS55
O	DOLBY DIGITAL	C 0701	87-012-195-080	0E	C-CAP,U 100P-50 J CH	USM	CX-NDS50
O	DOLBY DIGITAL	C 0701	87-012-195-080	0E	C-CAP,U 100P-50 J CH	USM	CX-NDS55
O	DOLBY DIGITAL	C 0702	87-A11-969-080	0E	C-CAP,U 0.082U-16 K B	USM	CX-NDS50
O	DOLBY DIGITAL	C 0702	87-A11-969-080	0E	C-CAP,U 0.082U-16 K B	USM	CX-NDS55
O	DOLBY DIGITAL	C 0703	87-010-831-080	0E	C-CAP,U 0.1-16 Z F	USM	CX-NDS50
O	DOLBY DIGITAL	C 0703	87-010-831-080	0E	C-CAP,U 0.1-16 Z F	USM	CX-NDS55
O	DOLBY DIGITAL	C 0704	87-012-278-080	0E	C-CAP,U 2200P-50 K B	USM	CX-NDS50
O	DOLBY DIGITAL	C 0704	87-012-278-080	0E	C-CAP,U 2200P-50 K B	USM	CX-NDS55
O	DOLBY DIGITAL	C 0706	87-012-188-080	0E	C-CAP,U 47P-50 J CH	USM	CX-NDS50
O	DOLBY DIGITAL	C 0706	87-012-188-080	0E	C-CAP,U 47P-50 J CH	USM	CX-NDS55
O	DOLBY DIGITAL	C 0707	87-012-188-080	0E	C-CAP,U 47P-50 J CH	USM	CX-NDS50
O	DOLBY DIGITAL	C 0707	87-012-188-080	0E	C-CAP,U 47P-50 J CH	USM	CX-NDS55
O	DOLBY DIGITAL	C 0709	87-012-188-080	0E	C-CAP,U 47P-50 J CH	USM	CX-NDS50
O	DOLBY DIGITAL	C 0709	87-012-188-080	0E	C-CAP,U 47P-50 J CH	USM	CX-NDS55
O	DOLBY DIGITAL	C 0711	87-010-831-080	0E	C-CAP,U 0.1-16 Z F	USM	CX-NDS50
O	DOLBY DIGITAL	C 0711	87-010-831-080	0E	C-CAP,U 0.1-16 Z F	USM	CX-NDS55
O	DOLBY DIGITAL	C 0712	87-A12-062-080	0E	CAP,E 100-10 SMG	USM	CX-NDS50
O	DOLBY DIGITAL	C 0712	87-A12-062-080	0E	CAP,E 100-10 SMG	USM	CX-NDS55
O	DOLBY DIGITAL	C 0714	87-012-286-080	0E	C-CAP,U 0.01-25 K B	USM	CX-NDS50
O	DOLBY DIGITAL	C 0714	87-012-286-080	0E	C-CAP,U 0.01-25 K B	USM	CX-NDS55
O	DOLBY DIGITAL	C 0715	87-012-286-080	0E	C-CAP,U 0.01-25 K B	USM	CX-NDS50
O	DOLBY DIGITAL	C 0715	87-012-286-080	0E	C-CAP,U 0.01-25 K B	USM	CX-NDS55

PARTS LIST

! = Δ SAFTY PARTS
 C = Components marked

All components used on this model at the production line are shown in this service manual.

However, please note that not all components will be available as spare parts for after-sales service.

Components marked S and O are designated as spare parts for service and will be stocked at the spare parts centers.

Components marked X and R are not designated as spare parts for after sales service, and will not be stocked at the spare parts centers.

K NO. = Only use Japanese.

! C	UNIT NAME	REF NO.	PARTS CODE	K NO.	DESCRIPTION	SUFFIX	MODEL NAME	
O	DOLBY DIGITAL	C 0721	87-012-167-080	0E	C-CAP,U 5P-50 C CH	USM	CX-NDS50	
O	DOLBY DIGITAL	C 0721	87-012-167-080	0E	C-CAP,U 5P-50 C CH	USM	CX-NDS55	
O	DOLBY DIGITAL	C 0722	87-012-167-080	0E	C-CAP,U 5P-50 C CH	USM	CX-NDS50	
O	DOLBY DIGITAL	C 0722	87-012-167-080	0E	C-CAP,U 5P-50 C CH	USM	CX-NDS55	
O	DOLBY DIGITAL	C 0723	87-010-831-080	0E	C-CAP,U 0.1-16 Z F	USM	CX-NDS50	
O	DOLBY DIGITAL	C 0723	87-010-831-080	0E	C-CAP,U 0.1-16 Z F	USM	CX-NDS55	
O	DOLBY DIGITAL	C 0751	87-012-278-080	0E	C-CAP,U 2200P-50 K B	USM	CX-NDS50	
O	DOLBY DIGITAL	C 0751	87-012-278-080	0E	C-CAP,U 2200P-50 K B	USM	CX-NDS55	
O	DOLBY DIGITAL	C 0801	87-010-831-080	0E	C-CAP,U 0.1-16 Z F	USM	CX-NDS50	
O	DOLBY DIGITAL	C 0801	87-010-831-080	0E	C-CAP,U 0.1-16 Z F	USM	CX-NDS55	
O	DOLBY DIGITAL	C 0802	87-012-286-080	0E	C-CAP,U 0.01-25 K B	USM	CX-NDS50	
O	DOLBY DIGITAL	C 0802	87-012-286-080	0E	C-CAP,U 0.01-25 K B	USM	CX-NDS55	
O	DOLBY DIGITAL	C 0804	87-012-270-080	0E	C-CAP,U 470P-50 K B	USM	CX-NDS50	
O	DOLBY DIGITAL	C 0804	87-012-270-080	0E	C-CAP,U 470P-50 K B	USM	CX-NDS55	
O	DOLBY DIGITAL	C 0805	87-A12-088-080	0E	CAP,E 2.2-50 SMG	USM	CX-NDS50	
O	DOLBY DIGITAL	C 0805	87-A12-088-080	0E	CAP,E 2.2-50 SMG	USM	CX-NDS55	
O	DOLBY DIGITAL	C 0810	87-012-267-080	0E	C-CAP,U 270P-50 K B GRM	USM	CX-NDS50	
O	DOLBY DIGITAL	C 0810	87-012-267-080	0E	C-CAP,U 270P-50 K B GRM	USM	CX-NDS55	
O	DOLBY DIGITAL	C 0818	87-010-831-080	0E	C-CAP,U 0.1-16 Z F	USM	CX-NDS50	
O	DOLBY DIGITAL	C 0818	87-010-831-080	0E	C-CAP,U 0.1-16 Z F	USM	CX-NDS55	
O	DOLBY DIGITAL	C 0819	87-A12-062-080	0E	CAP,E 100-10 SMG	USM	CX-NDS50	
O	DOLBY DIGITAL	C 0819	87-A12-062-080	0E	CAP,E 100-10 SMG	USM	CX-NDS55	
O	DOLBY DIGITAL	C 0820	87-010-831-080	0E	C-CAP,U 0.1-16 Z F	USM	CX-NDS50	
O	DOLBY DIGITAL	C 0820	87-010-831-080	0E	C-CAP,U 0.1-16 Z F	USM	CX-NDS55	
O	DOLBY DIGITAL	C 0823	87-010-831-080	0E	C-CAP,U 0.1-16 Z F	USM	CX-NDS50	
O	DOLBY DIGITAL	C 0823	87-010-831-080	0E	C-CAP,U 0.1-16 Z F	USM	CX-NDS55	
O	DOLBY DIGITAL	C 0824	87-A12-087-080	0E	CAP,E 1-50 SMG	USM	CX-NDS50	
O	DOLBY DIGITAL	C 0824	87-A12-087-080	0E	CAP,E 1-50 SMG	USM	CX-NDS55	
O	DOLBY DIGITAL	C 0825	87-A12-087-080	0E	CAP,E 1-50 SMG	USM	CX-NDS50	
O	DOLBY DIGITAL	C 0825	87-A12-087-080	0E	CAP,E 1-50 SMG	USM	CX-NDS55	
O	DOLBY DIGITAL	C 0826	87-A12-087-080	0E	CAP,E 1-50 SMG	USM	CX-NDS50	
O	DOLBY DIGITAL	C 0826	87-A12-087-080	0E	CAP,E 1-50 SMG	USM	CX-NDS55	
O	DOLBY DIGITAL	CN 0101	87-A60-632-010	0E	CONN,15P V 2MM JMT	USM	CX-NDS50	
O	DOLBY DIGITAL	CN 0101	87-A60-632-010	0E	CONN,15P V 2MM JMT	USM	CX-NDS55	
!	O	DOLBY DIGITAL	CN 0402	87-A60-056-010	0E	CONN,12P V 9604S-12C	USM	CX-NDS50
!	O	DOLBY DIGITAL	CN 0402	87-A60-056-010	0E	CONN,12P V 9604S-12C	USM	CX-NDS55
!	O	DOLBY DIGITAL	CN 0651	87-049-919-010	0E	CONN,3P V WHT EH	USM	CX-NDS50
!	O	DOLBY DIGITAL	CN 0651	87-049-919-010	0E	CONN,3P V WHT EH	USM	CX-NDS55
S	DOLBY DIGITAL	D 0651	87-A40-553-080	0E	DIODE,1N4003 LES	USM	CX-NDS50	
S	DOLBY DIGITAL	D 0651	87-A40-553-080	0E	DIODE,1N4003 LES	USM	CX-NDS55	
S	DOLBY DIGITAL	D 0652	87-A40-553-080	0E	DIODE,1N4003 LES	USM	CX-NDS50	
S	DOLBY DIGITAL	D 0652	87-A40-553-080	0E	DIODE,1N4003 LES	USM	CX-NDS55	
O	DOLBY DIGITAL	FB 0601	87-008-372-080	0E	FLTR,EMI BL01 RN1	USM	CX-NDS50	
O	DOLBY DIGITAL	FB 0601	87-008-372-080	0E	FLTR,EMI BL01 RN1	USM	CX-NDS55	
O	DOLBY DIGITAL	FB 0602	87-008-372-080	0E	FLTR,EMI BL01 RN1	USM	CX-NDS50	
O	DOLBY DIGITAL	FB 0602	87-008-372-080	0E	FLTR,EMI BL01 RN1	USM	CX-NDS55	
X	DOLBY DIGITAL	FB 0603	88-140-829-080	0E	RES,8.2-1/2W J	USM	CX-NDS50	
X	DOLBY DIGITAL	FB 0603	88-140-829-080	0E	RES,8.2-1/2W J	USM	CX-NDS55	
O	DOLBY DIGITAL	FB 0701	87-008-372-080	0E	FLTR,EMI BL01 RN1	USM	CX-NDS50	
O	DOLBY DIGITAL	FB 0701	87-008-372-080	0E	FLTR,EMI BL01 RN1	USM	CX-NDS55	
O	DOLBY DIGITAL	FB 0702	87-008-372-080	0E	FLTR,EMI BL01 RN1	USM	CX-NDS50	
O	DOLBY DIGITAL	FB 0702	87-008-372-080	0E	FLTR,EMI BL01 RN1	USM	CX-NDS55	
O	DOLBY DIGITAL	FB 0801	87-008-372-080	0E	FLTR,EMI BL01 RN1	USM	CX-NDS50	
O	DOLBY DIGITAL	FB 0801	87-008-372-080	0E	FLTR,EMI BL01 RN1	USM	CX-NDS55	
O	DOLBY DIGITAL	FB 0802	87-008-372-080	0E	FLTR,EMI BL01 RN1	USM	CX-NDS50	
O	DOLBY DIGITAL	FB 0802	87-008-372-080	0E	FLTR,EMI BL01 RN1	USM	CX-NDS55	
S	DOLBY DIGITAL	IC 0101	87-A21-893-040	1A	C-IC,NJM14558V-TE2	USM	CX-NDS50	
S	DOLBY DIGITAL	IC 0101	87-A21-893-040	1A	C-IC,NJM14558V-TE2	USM	CX-NDS55	
S	DOLBY DIGITAL	IC 0102	87-A21-893-040	1A	C-IC,NJM14558V-TE2	USM	CX-NDS50	
S	DOLBY DIGITAL	IC 0102	87-A21-893-040	1A	C-IC,NJM14558V-TE2	USM	CX-NDS55	
S	DOLBY DIGITAL	IC 0151	87-A21-893-040	1A	C-IC,NJM14558V-TE2	USM	CX-NDS50	
S	DOLBY DIGITAL	IC 0151	87-A21-893-040	1A	C-IC,NJM14558V-TE2	USM	CX-NDS55	
S	DOLBY DIGITAL	IC 0152	87-A21-893-040	1A	C-IC,NJM14558V-TE2	USM	CX-NDS50	
S	DOLBY DIGITAL	IC 0152	87-A21-893-040	1A	C-IC,NJM14558V-TE2	USM	CX-NDS55	
S	DOLBY DIGITAL	IC 0201	87-A21-893-040	1A	C-IC,NJM14558V-TE2	USM	CX-NDS50	
S	DOLBY DIGITAL	IC 0201	87-A21-893-040	1A	C-IC,NJM14558V-TE2	USM	CX-NDS55	
S	DOLBY DIGITAL	IC 0202	87-A21-893-040	1A	C-IC,NJM14558V-TE2	USM	CX-NDS50	
S	DOLBY DIGITAL	IC 0202	87-A21-893-040	1A	C-IC,NJM14558V-TE2	USM	CX-NDS55	
S	DOLBY DIGITAL	IC 0401	87-A21-703-040	1B	C-IC,SN74LV244APW	USM	CX-NDS50	
S	DOLBY DIGITAL	IC 0401	87-A21-703-040	1B	C-IC,SN74LV244APW	USM	CX-NDS55	

PARTS LIST

! = Δ SAFTY PARTS
 C = Components marked

All components used on this model at the production line are shown in this service manual.

However, please note that not all components will be available as spare parts for after-sales service.

Components marked S and O are designated as spare parts for service and will be stocked at the spare parts centers.

Components marked X and R are not designated as spare parts for after sales service, and will not be stocked at the spare parts centers.

K NO. = Only use Japanese.

! C	UNIT NAME	REF NO.	PARTS CODE	K NO.	DESCRIPTION	SUFFIX	MODEL NAME
S	DOLBY DIGITAL	IC 0404	87-A21-916-040	1B	C-IC, SN74LV125APW	USM	CX-NDS50
S	DOLBY DIGITAL	IC 0404	87-A21-916-040	1B	C-IC, SN74LV125APW	USM	CX-NDS55
S	DOLBY DIGITAL	IC 0601	87-A21-884-040	2A	C-IC, CS4228A	USM	CX-NDS50
S	DOLBY DIGITAL	IC 0601	87-A21-884-040	2A	C-IC, CS4228A	USM	CX-NDS55
S	DOLBY DIGITAL	IC 0701	87-A21-883-040	1H	C-IC, CS8415A	USM	CX-NDS50
S	DOLBY DIGITAL	IC 0701	87-A21-883-040	1H	C-IC, CS8415A	USM	CX-NDS55
S	DOLBY DIGITAL	IC 0702	87-A20-921-040	1A	C-IC, SN74LVU04APW	USM	CX-NDS50
S	DOLBY DIGITAL	IC 0702	87-A20-921-040	1A	C-IC, SN74LVU04APW	USM	CX-NDS55
!	S DOLBY DIGITAL	IC 0751	87-A20-870-010	1F	IC, GP1F37R	USM	CX-NDS50
!	S DOLBY DIGITAL	IC 0751	87-A20-870-010	1F	IC, GP1F37R	USM	CX-NDS55
S	DOLBY DIGITAL	IC 0801	87-A21-885-040	2D	C-IC, CS49326	USM	CX-NDS50
S	DOLBY DIGITAL	IC 0801	87-A21-885-040	2D	C-IC, CS49326	USM	CX-NDS55
X	DOLBY DIGITAL	JR 0111	88-108-000-080	0E	C-JUMPER, U	USM	CX-NDS50
X	DOLBY DIGITAL	JR 0111	88-108-000-080	0E	C-JUMPER, U	USM	CX-NDS55
X	DOLBY DIGITAL	JR 0112	88-108-000-080	0E	C-JUMPER, U	USM	CX-NDS50
X	DOLBY DIGITAL	JR 0112	88-108-000-080	0E	C-JUMPER, U	USM	CX-NDS55
X	DOLBY DIGITAL	JR 0401	88-118-000-080	0E	C-JUMPER, S	USM	CX-NDS50
X	DOLBY DIGITAL	JR 0401	88-118-000-080	0E	C-JUMPER, S	USM	CX-NDS55
X	DOLBY DIGITAL	JR 0402	88-118-000-080	0E	C-JUMPER, S	USM	CX-NDS50
X	DOLBY DIGITAL	JR 0402	88-118-000-080	0E	C-JUMPER, S	USM	CX-NDS55
X	DOLBY DIGITAL	JR 0403	88-118-000-080	0E	C-JUMPER, S	USM	CX-NDS50
X	DOLBY DIGITAL	JR 0403	88-118-000-080	0E	C-JUMPER, S	USM	CX-NDS55
X	DOLBY DIGITAL	JR 0602	88-118-000-080	0E	C-JUMPER, S	USM	CX-NDS50
X	DOLBY DIGITAL	JR 0602	88-118-000-080	0E	C-JUMPER, S	USM	CX-NDS55
X	DOLBY DIGITAL	JR 0701	88-118-000-080	0E	C-JUMPER, S	USM	CX-NDS50
X	DOLBY DIGITAL	JR 0701	88-118-000-080	0E	C-JUMPER, S	USM	CX-NDS55
X	DOLBY DIGITAL	JR 0801	88-118-000-080	0E	C-JUMPER, S	USM	CX-NDS50
X	DOLBY DIGITAL	JR 0801	88-118-000-080	0E	C-JUMPER, S	USM	CX-NDS55
S	DOLBY DIGITAL	Q 0251	87-A30-076-080	0E	C-TR, 2SC3052F	USM	CX-NDS50
S	DOLBY DIGITAL	Q 0251	87-A30-076-080	0E	C-TR, 2SC3052F	USM	CX-NDS55
S	DOLBY DIGITAL	Q 0252	87-A30-105-080	0E	C-TR, RT1P 441C	USM	CX-NDS50
S	DOLBY DIGITAL	Q 0252	87-A30-105-080	0E	C-TR, RT1P 441C	USM	CX-NDS55
S	DOLBY DIGITAL	Q 0451	87-A30-087-080	0E	C-FET, 2SK2158	USM	CX-NDS50
S	DOLBY DIGITAL	Q 0451	87-A30-087-080	0E	C-FET, 2SK2158	USM	CX-NDS55
S	DOLBY DIGITAL	Q 0452	87-A30-087-080	0E	C-FET, 2SK2158	USM	CX-NDS50
S	DOLBY DIGITAL	Q 0452	87-A30-087-080	0E	C-FET, 2SK2158	USM	CX-NDS55
S	DOLBY DIGITAL	Q 0453	87-A30-087-080	0E	C-FET, 2SK2158	USM	CX-NDS50
S	DOLBY DIGITAL	Q 0453	87-A30-087-080	0E	C-FET, 2SK2158	USM	CX-NDS55
S	DOLBY DIGITAL	Q 0454	87-A30-087-080	0E	C-FET, 2SK2158	USM	CX-NDS50
S	DOLBY DIGITAL	Q 0454	87-A30-087-080	0E	C-FET, 2SK2158	USM	CX-NDS55
S	DOLBY DIGITAL	Q 0501	87-A30-076-080	0E	C-TR, 2SC3052F	USM	CX-NDS50
S	DOLBY DIGITAL	Q 0501	87-A30-076-080	0E	C-TR, 2SC3052F	USM	CX-NDS55
S	DOLBY DIGITAL	Q 0502	87-A30-076-080	0E	C-TR, 2SC3052F	USM	CX-NDS50
S	DOLBY DIGITAL	Q 0502	87-A30-076-080	0E	C-TR, 2SC3052F	USM	CX-NDS55
S	DOLBY DIGITAL	Q 0551	87-A30-076-080	0E	C-TR, 2SC3052F	USM	CX-NDS50
S	DOLBY DIGITAL	Q 0551	87-A30-076-080	0E	C-TR, 2SC3052F	USM	CX-NDS55
S	DOLBY DIGITAL	Q 0552	87-A30-076-080	0E	C-TR, 2SC3052F	USM	CX-NDS50
S	DOLBY DIGITAL	Q 0552	87-A30-076-080	0E	C-TR, 2SC3052F	USM	CX-NDS55
S	DOLBY DIGITAL	Q 0553	87-A30-076-080	0E	C-TR, 2SC3052F	USM	CX-NDS50
S	DOLBY DIGITAL	Q 0553	87-A30-076-080	0E	C-TR, 2SC3052F	USM	CX-NDS55
S	DOLBY DIGITAL	Q 0651	87-A30-234-080	0E	TR, CSC4115BC	USM	CX-NDS50
S	DOLBY DIGITAL	Q 0651	87-A30-234-080	0E	TR, CSC4115BC	USM	CX-NDS55
S	DOLBY DIGITAL	Q 0652	87-A30-076-080	0E	C-TR, 2SC3052F	USM	CX-NDS50
S	DOLBY DIGITAL	Q 0652	87-A30-076-080	0E	C-TR, 2SC3052F	USM	CX-NDS55
S	DOLBY DIGITAL	Q 0653	87-A30-076-080	0E	C-TR, 2SC3052F	USM	CX-NDS50
S	DOLBY DIGITAL	Q 0653	87-A30-076-080	0E	C-TR, 2SC3052F	USM	CX-NDS55
X	DOLBY DIGITAL	R 0109	88-108-153-080	0E	C-RES, U 15K-1/16W J	USM	CX-NDS50
X	DOLBY DIGITAL	R 0109	88-108-153-080	0E	C-RES, U 15K-1/16W J	USM	CX-NDS55
X	DOLBY DIGITAL	R 0110	88-108-153-080	0E	C-RES, U 15K-1/16W J	USM	CX-NDS50
X	DOLBY DIGITAL	R 0110	88-108-153-080	0E	C-RES, U 15K-1/16W J	USM	CX-NDS55
X	DOLBY DIGITAL	R 0111	88-108-000-080	0E	C-JUMPER, U	USM	CX-NDS50
X	DOLBY DIGITAL	R 0111	88-108-000-080	0E	C-JUMPER, U	USM	CX-NDS55
X	DOLBY DIGITAL	R 0112	88-108-000-080	0E	C-JUMPER, U	USM	CX-NDS50
X	DOLBY DIGITAL	R 0112	88-108-000-080	0E	C-JUMPER, U	USM	CX-NDS55
X	DOLBY DIGITAL	R 0113	88-108-823-080	0E	C-RES, U 82K-1/16W J	USM	CX-NDS50
X	DOLBY DIGITAL	R 0113	88-108-823-080	0E	C-RES, U 82K-1/16W J	USM	CX-NDS55
X	DOLBY DIGITAL	R 0114	88-108-823-080	0E	C-RES, U 82K-1/16W J	USM	CX-NDS50
X	DOLBY DIGITAL	R 0114	88-108-823-080	0E	C-RES, U 82K-1/16W J	USM	CX-NDS55
X	DOLBY DIGITAL	R 0115	88-108-103-080	0E	C-RES, U 10K-1/16W J	USM	CX-NDS50
X	DOLBY DIGITAL	R 0115	88-108-103-080	0E	C-RES, U 10K-1/16W J	USM	CX-NDS55

PARTS LIST

! = Δ SAFTY PARTS
 C = Components marked

All components used on this model at the production line are shown in this service manual.

However, please note that not all components will be available as spare parts for after-sales service.

Components marked S and O are designated as spare parts for service and will be stocked at the spare parts centers.

Components marked X and R are not designated as spare parts for after sales service, and will not be stocked at the spare parts centers.

K NO. = Only use Japanese.

! C	UNIT NAME	REF NO.	PARTS CODE	K NO.	DESCRIPTION	SUFFIX	MODEL NAME
X	DOLBY DIGITAL	R 0116	88-108-103-080	0E	C-RES,U 10K-1/16W J	USM	CX-NDS50
X	DOLBY DIGITAL	R 0116	88-108-103-080	0E	C-RES,U 10K-1/16W J	USM	CX-NDS55
X	DOLBY DIGITAL	R 0117	88-108-103-080	0E	C-RES,U 10K-1/16W J	USM	CX-NDS50
X	DOLBY DIGITAL	R 0117	88-108-103-080	0E	C-RES,U 10K-1/16W J	USM	CX-NDS55
X	DOLBY DIGITAL	R 0118	88-108-103-080	0E	C-RES,U 10K-1/16W J	USM	CX-NDS50
X	DOLBY DIGITAL	R 0118	88-108-103-080	0E	C-RES,U 10K-1/16W J	USM	CX-NDS55
X	DOLBY DIGITAL	R 0119	88-108-472-080	0E	C-RES,U 4.7K-1/16W J	USM	CX-NDS50
X	DOLBY DIGITAL	R 0119	88-108-472-080	0E	C-RES,U 4.7K-1/16W J	USM	CX-NDS55
X	DOLBY DIGITAL	R 0123	88-108-392-080	0E	C-RES,U 3.9K-1/16W J	USM	CX-NDS50
X	DOLBY DIGITAL	R 0123	88-108-392-080	0E	C-RES,U 3.9K-1/16W J	USM	CX-NDS55
X	DOLBY DIGITAL	R 0124	88-108-392-080	0E	C-RES,U 3.9K-1/16W J	USM	CX-NDS50
X	DOLBY DIGITAL	R 0124	88-108-392-080	0E	C-RES,U 3.9K-1/16W J	USM	CX-NDS55
X	DOLBY DIGITAL	R 0125	88-108-272-080	0E	C-RES,U 2.7K-1/16W J	USM	CX-NDS50
X	DOLBY DIGITAL	R 0125	88-108-272-080	0E	C-RES,U 2.7K-1/16W J	USM	CX-NDS55
X	DOLBY DIGITAL	R 0126	88-108-272-080	0E	C-RES,U 2.7K-1/16W J	USM	CX-NDS50
X	DOLBY DIGITAL	R 0126	88-108-272-080	0E	C-RES,U 2.7K-1/16W J	USM	CX-NDS55
X	DOLBY DIGITAL	R 0127	88-108-152-080	0E	C-RES,U 1.5K-1/16W J	USM	CX-NDS50
X	DOLBY DIGITAL	R 0127	88-108-152-080	0E	C-RES,U 1.5K-1/16W J	USM	CX-NDS55
X	DOLBY DIGITAL	R 0128	88-108-152-080	0E	C-RES,U 1.5K-1/16W J	USM	CX-NDS50
X	DOLBY DIGITAL	R 0128	88-108-152-080	0E	C-RES,U 1.5K-1/16W J	USM	CX-NDS55
X	DOLBY DIGITAL	R 0129	88-108-821-080	0E	C-RES,U 820-1/16W J	USM	CX-NDS50
X	DOLBY DIGITAL	R 0129	88-108-821-080	0E	C-RES,U 820-1/16W J	USM	CX-NDS55
X	DOLBY DIGITAL	R 0130	88-108-821-080	0E	C-RES,U 820-1/16W J	USM	CX-NDS50
X	DOLBY DIGITAL	R 0130	88-108-821-080	0E	C-RES,U 820-1/16W J	USM	CX-NDS55
X	DOLBY DIGITAL	R 0131	88-108-152-080	0E	C-RES,U 1.5K-1/16W J	USM	CX-NDS50
X	DOLBY DIGITAL	R 0131	88-108-152-080	0E	C-RES,U 1.5K-1/16W J	USM	CX-NDS55
X	DOLBY DIGITAL	R 0132	88-108-152-080	0E	C-RES,U 1.5K-1/16W J	USM	CX-NDS50
X	DOLBY DIGITAL	R 0132	88-108-152-080	0E	C-RES,U 1.5K-1/16W J	USM	CX-NDS55
X	DOLBY DIGITAL	R 0133	88-108-332-080	0E	C-RES,U 3.3K-1/16W J	USM	CX-NDS50
X	DOLBY DIGITAL	R 0133	88-108-332-080	0E	C-RES,U 3.3K-1/16W J	USM	CX-NDS55
X	DOLBY DIGITAL	R 0134	88-108-332-080	0E	C-RES,U 3.3K-1/16W J	USM	CX-NDS50
X	DOLBY DIGITAL	R 0134	88-108-332-080	0E	C-RES,U 3.3K-1/16W J	USM	CX-NDS55
X	DOLBY DIGITAL	R 0135	88-108-104-080	0E	C-RES,U 100K-1/16W J	USM	CX-NDS50
X	DOLBY DIGITAL	R 0135	88-108-104-080	0E	C-RES,U 100K-1/16W J	USM	CX-NDS55
X	DOLBY DIGITAL	R 0136	88-108-104-080	0E	C-RES,U 100K-1/16W J	USM	CX-NDS50
X	DOLBY DIGITAL	R 0136	88-108-104-080	0E	C-RES,U 100K-1/16W J	USM	CX-NDS55
X	DOLBY DIGITAL	R 0137	88-108-473-080	0E	C-RES,U 47K-1/16W J	USM	CX-NDS50
X	DOLBY DIGITAL	R 0137	88-108-473-080	0E	C-RES,U 47K-1/16W J	USM	CX-NDS55
X	DOLBY DIGITAL	R 0159	88-108-153-080	0E	C-RES,U 15K-1/16W J	USM	CX-NDS50
X	DOLBY DIGITAL	R 0159	88-108-153-080	0E	C-RES,U 15K-1/16W J	USM	CX-NDS55
X	DOLBY DIGITAL	R 0160	88-108-153-080	0E	C-RES,U 15K-1/16W J	USM	CX-NDS50
X	DOLBY DIGITAL	R 0160	88-108-153-080	0E	C-RES,U 15K-1/16W J	USM	CX-NDS55
X	DOLBY DIGITAL	R 0161	88-108-000-080	0E	C-JUMPER,U	USM	CX-NDS50
X	DOLBY DIGITAL	R 0161	88-108-000-080	0E	C-JUMPER,U	USM	CX-NDS55
X	DOLBY DIGITAL	R 0162	88-108-000-080	0E	C-JUMPER,U	USM	CX-NDS50
X	DOLBY DIGITAL	R 0162	88-108-000-080	0E	C-JUMPER,U	USM	CX-NDS55
X	DOLBY DIGITAL	R 0163	88-108-472-080	0E	C-RES,U 4.7K-1/16W J	USM	CX-NDS50
X	DOLBY DIGITAL	R 0163	88-108-472-080	0E	C-RES,U 4.7K-1/16W J	USM	CX-NDS55
X	DOLBY DIGITAL	R 0165	88-108-103-080	0E	C-RES,U 10K-1/16W J	USM	CX-NDS50
X	DOLBY DIGITAL	R 0165	88-108-103-080	0E	C-RES,U 10K-1/16W J	USM	CX-NDS55
X	DOLBY DIGITAL	R 0166	88-108-103-080	0E	C-RES,U 10K-1/16W J	USM	CX-NDS50
X	DOLBY DIGITAL	R 0166	88-108-103-080	0E	C-RES,U 10K-1/16W J	USM	CX-NDS55
X	DOLBY DIGITAL	R 0169	88-108-392-080	0E	C-RES,U 3.9K-1/16W J	USM	CX-NDS50
X	DOLBY DIGITAL	R 0169	88-108-392-080	0E	C-RES,U 3.9K-1/16W J	USM	CX-NDS55
X	DOLBY DIGITAL	R 0170	88-108-392-080	0E	C-RES,U 3.9K-1/16W J	USM	CX-NDS50
X	DOLBY DIGITAL	R 0170	88-108-392-080	0E	C-RES,U 3.9K-1/16W J	USM	CX-NDS55
X	DOLBY DIGITAL	R 0171	88-108-272-080	0E	C-RES,U 2.7K-1/16W J	USM	CX-NDS50
X	DOLBY DIGITAL	R 0171	88-108-272-080	0E	C-RES,U 2.7K-1/16W J	USM	CX-NDS55
X	DOLBY DIGITAL	R 0172	88-108-272-080	0E	C-RES,U 2.7K-1/16W J	USM	CX-NDS50
X	DOLBY DIGITAL	R 0172	88-108-272-080	0E	C-RES,U 2.7K-1/16W J	USM	CX-NDS55
X	DOLBY DIGITAL	R 0173	88-108-152-080	0E	C-RES,U 1.5K-1/16W J	USM	CX-NDS50
X	DOLBY DIGITAL	R 0173	88-108-152-080	0E	C-RES,U 1.5K-1/16W J	USM	CX-NDS55
X	DOLBY DIGITAL	R 0174	88-108-152-080	0E	C-RES,U 1.5K-1/16W J	USM	CX-NDS50
X	DOLBY DIGITAL	R 0174	88-108-152-080	0E	C-RES,U 1.5K-1/16W J	USM	CX-NDS55
X	DOLBY DIGITAL	R 0175	88-108-821-080	0E	C-RES,U 820-1/16W J	USM	CX-NDS50
X	DOLBY DIGITAL	R 0175	88-108-821-080	0E	C-RES,U 820-1/16W J	USM	CX-NDS55
X	DOLBY DIGITAL	R 0176	88-108-821-080	0E	C-RES,U 820-1/16W J	USM	CX-NDS50
X	DOLBY DIGITAL	R 0176	88-108-821-080	0E	C-RES,U 820-1/16W J	USM	CX-NDS55
X	DOLBY DIGITAL	R 0177	88-108-152-080	0E	C-RES,U 1.5K-1/16W J	USM	CX-NDS50
X	DOLBY DIGITAL	R 0177	88-108-152-080	0E	C-RES,U 1.5K-1/16W J	USM	CX-NDS55

PARTS LIST

! = Δ SAFTY PARTS
 C = Components marked

All components used on this model at the production line are shown in this service manual.

However, please note that not all components will be available as spare parts for after-sales service.

Components marked S and O are designated as spare parts for service and will be stocked at the spare parts centers.

Components marked X and R are not designated as spare parts for after sales service, and will not be stocked at the spare parts centers.

K NO. = Only use Japanese.

! C	UNIT NAME	REF NO.	PARTS CODE	K NO.	DESCRIPTION	SUFFIX	MODEL NAME
X	DOLBY DIGITAL	R 0178	88-108-152-080	0E	C-RES,U 1.5K-1/16W J	USM	CX-NDS50
X	DOLBY DIGITAL	R 0178	88-108-152-080	0E	C-RES,U 1.5K-1/16W J	USM	CX-NDS55
X	DOLBY DIGITAL	R 0179	88-108-332-080	0E	C-RES,U 3.3K-1/16W J	USM	CX-NDS50
X	DOLBY DIGITAL	R 0179	88-108-332-080	0E	C-RES,U 3.3K-1/16W J	USM	CX-NDS55
X	DOLBY DIGITAL	R 0180	88-108-332-080	0E	C-RES,U 3.3K-1/16W J	USM	CX-NDS50
X	DOLBY DIGITAL	R 0180	88-108-332-080	0E	C-RES,U 3.3K-1/16W J	USM	CX-NDS55
X	DOLBY DIGITAL	R 0181	88-108-104-080	0E	C-RES,U 100K-1/16W J	USM	CX-NDS50
X	DOLBY DIGITAL	R 0181	88-108-104-080	0E	C-RES,U 100K-1/16W J	USM	CX-NDS55
X	DOLBY DIGITAL	R 0182	88-108-104-080	0E	C-RES,U 100K-1/16W J	USM	CX-NDS50
X	DOLBY DIGITAL	R 0182	88-108-104-080	0E	C-RES,U 100K-1/16W J	USM	CX-NDS55
X	DOLBY DIGITAL	R 0209	88-108-153-080	0E	C-RES,U 15K-1/16W J	USM	CX-NDS50
X	DOLBY DIGITAL	R 0209	88-108-153-080	0E	C-RES,U 15K-1/16W J	USM	CX-NDS55
X	DOLBY DIGITAL	R 0210	88-108-153-080	0E	C-RES,U 15K-1/16W J	USM	CX-NDS50
X	DOLBY DIGITAL	R 0210	88-108-153-080	0E	C-RES,U 15K-1/16W J	USM	CX-NDS55
X	DOLBY DIGITAL	R 0211	88-108-000-080	0E	C-JUMPER,U	USM	CX-NDS50
X	DOLBY DIGITAL	R 0211	88-108-000-080	0E	C-JUMPER,U	USM	CX-NDS55
X	DOLBY DIGITAL	R 0212	88-108-000-080	0E	C-JUMPER,U	USM	CX-NDS50
X	DOLBY DIGITAL	R 0212	88-108-000-080	0E	C-JUMPER,U	USM	CX-NDS55
X	DOLBY DIGITAL	R 0213	88-108-472-080	0E	C-RES,U 4.7K-1/16W J	USM	CX-NDS50
X	DOLBY DIGITAL	R 0213	88-108-472-080	0E	C-RES,U 4.7K-1/16W J	USM	CX-NDS55
X	DOLBY DIGITAL	R 0215	88-108-103-080	0E	C-RES,U 10K-1/16W J	USM	CX-NDS50
X	DOLBY DIGITAL	R 0215	88-108-103-080	0E	C-RES,U 10K-1/16W J	USM	CX-NDS55
X	DOLBY DIGITAL	R 0216	88-108-103-080	0E	C-RES,U 10K-1/16W J	USM	CX-NDS50
X	DOLBY DIGITAL	R 0216	88-108-103-080	0E	C-RES,U 10K-1/16W J	USM	CX-NDS55
X	DOLBY DIGITAL	R 0219	88-108-392-080	0E	C-RES,U 3.9K-1/16W J	USM	CX-NDS50
X	DOLBY DIGITAL	R 0219	88-108-392-080	0E	C-RES,U 3.9K-1/16W J	USM	CX-NDS55
X	DOLBY DIGITAL	R 0220	88-108-683-080	0E	C-RES,U 68K-1/16W J	USM	CX-NDS50
X	DOLBY DIGITAL	R 0220	88-108-683-080	0E	C-RES,U 68K-1/16W J	USM	CX-NDS55
X	DOLBY DIGITAL	R 0221	88-108-272-080	0E	C-RES,U 2.7K-1/16W J	USM	CX-NDS50
X	DOLBY DIGITAL	R 0221	88-108-272-080	0E	C-RES,U 2.7K-1/16W J	USM	CX-NDS55
X	DOLBY DIGITAL	R 0222	88-108-273-080	0E	C-RES,U 27K-1/16W J	USM	CX-NDS50
X	DOLBY DIGITAL	R 0222	88-108-273-080	0E	C-RES,U 27K-1/16W J	USM	CX-NDS55
X	DOLBY DIGITAL	R 0223	88-108-152-080	0E	C-RES,U 1.5K-1/16W J	USM	CX-NDS50
X	DOLBY DIGITAL	R 0223	88-108-152-080	0E	C-RES,U 1.5K-1/16W J	USM	CX-NDS55
X	DOLBY DIGITAL	R 0224	88-108-333-080	0E	C-RES,U 33K-1/16W J	USM	CX-NDS50
X	DOLBY DIGITAL	R 0224	88-108-333-080	0E	C-RES,U 33K-1/16W J	USM	CX-NDS55
X	DOLBY DIGITAL	R 0225	88-108-821-080	0E	C-RES,U 820-1/16W J	USM	CX-NDS50
X	DOLBY DIGITAL	R 0225	88-108-821-080	0E	C-RES,U 820-1/16W J	USM	CX-NDS55
X	DOLBY DIGITAL	R 0227	88-108-152-080	0E	C-RES,U 1.5K-1/16W J	USM	CX-NDS50
X	DOLBY DIGITAL	R 0227	88-108-152-080	0E	C-RES,U 1.5K-1/16W J	USM	CX-NDS55
X	DOLBY DIGITAL	R 0228	88-108-392-080	0E	C-RES,U 3.9K-1/16W J	USM	CX-NDS50
X	DOLBY DIGITAL	R 0228	88-108-392-080	0E	C-RES,U 3.9K-1/16W J	USM	CX-NDS55
X	DOLBY DIGITAL	R 0229	88-108-332-080	0E	C-RES,U 3.3K-1/16W J	USM	CX-NDS50
X	DOLBY DIGITAL	R 0229	88-108-332-080	0E	C-RES,U 3.3K-1/16W J	USM	CX-NDS55
X	DOLBY DIGITAL	R 0230	88-108-272-080	0E	C-RES,U 2.7K-1/16W J	USM	CX-NDS50
X	DOLBY DIGITAL	R 0230	88-108-272-080	0E	C-RES,U 2.7K-1/16W J	USM	CX-NDS55
X	DOLBY DIGITAL	R 0231	88-108-104-080	0E	C-RES,U 100K-1/16W J	USM	CX-NDS50
X	DOLBY DIGITAL	R 0231	88-108-104-080	0E	C-RES,U 100K-1/16W J	USM	CX-NDS55
X	DOLBY DIGITAL	R 0232	88-108-104-080	0E	C-RES,U 100K-1/16W J	USM	CX-NDS50
X	DOLBY DIGITAL	R 0232	88-108-104-080	0E	C-RES,U 100K-1/16W J	USM	CX-NDS55
X	DOLBY DIGITAL	R 0236	88-108-123-080	0E	C-RES,U 12K-1/16W J	USM	CX-NDS50
X	DOLBY DIGITAL	R 0236	88-108-123-080	0E	C-RES,U 12K-1/16W J	USM	CX-NDS55
X	DOLBY DIGITAL	R 0251	88-128-181-080	0E	C-RES, 180-1/8W J	USM	CX-NDS50
X	DOLBY DIGITAL	R 0251	88-128-181-080	0E	C-RES, 180-1/8W J	USM	CX-NDS55
X	DOLBY DIGITAL	R 0252	88-128-181-080	0E	C-RES, 180-1/8W J	USM	CX-NDS50
X	DOLBY DIGITAL	R 0252	88-128-181-080	0E	C-RES, 180-1/8W J	USM	CX-NDS55
X	DOLBY DIGITAL	R 0253	88-128-822-080	0E	C-RES, 8.2K-1/8W J	USM	CX-NDS50
X	DOLBY DIGITAL	R 0253	88-128-822-080	0E	C-RES, 8.2K-1/8W J	USM	CX-NDS55
X	DOLBY DIGITAL	R 0254	88-128-822-080	0E	C-RES, 8.2K-1/8W J	USM	CX-NDS50
X	DOLBY DIGITAL	R 0254	88-128-822-080	0E	C-RES, 8.2K-1/8W J	USM	CX-NDS55
X	DOLBY DIGITAL	R 0255	88-108-000-080	0E	C-JUMPER,U	USM	CX-NDS50
X	DOLBY DIGITAL	R 0255	88-108-000-080	0E	C-JUMPER,U	USM	CX-NDS55
X	DOLBY DIGITAL	R 0257	88-108-103-080	0E	C-RES,U 10K-1/16W J	USM	CX-NDS50
X	DOLBY DIGITAL	R 0257	88-108-103-080	0E	C-RES,U 10K-1/16W J	USM	CX-NDS55
X	DOLBY DIGITAL	R 0451	88-108-102-080	0E	C-RES,U 1K-1/16W J	USM	CX-NDS50
X	DOLBY DIGITAL	R 0451	88-108-102-080	0E	C-RES,U 1K-1/16W J	USM	CX-NDS55
X	DOLBY DIGITAL	R 0452	88-108-102-080	0E	C-RES,U 1K-1/16W J	USM	CX-NDS50
X	DOLBY DIGITAL	R 0452	88-108-102-080	0E	C-RES,U 1K-1/16W J	USM	CX-NDS55
X	DOLBY DIGITAL	R 0453	88-108-102-080	0E	C-RES,U 1K-1/16W J	USM	CX-NDS50
X	DOLBY DIGITAL	R 0453	88-108-102-080	0E	C-RES,U 1K-1/16W J	USM	CX-NDS55

PARTS LIST

! = Δ SAFTY PARTS
 C = Components marked

All components used on this model at the production line are shown in this service manual.

However, please note that not all components will be available as spare parts for after-sales service.

Components marked S and O are designated as spare parts for service and will be stocked at the spare parts centers.

Components marked X and R are not designated as spare parts for after sales service, and will not be stocked at the spare parts centers.

K NO. = Only use Japanese.

! C	UNIT NAME	REF NO.	PARTS CODE	K NO.	DESCRIPTION	SUFFIX	MODEL NAME
X	DOLBY DIGITAL	R 0454	88-108-102-080	0E	C-RES,U 1K-1/16W J	USM	CX-NDS50
X	DOLBY DIGITAL	R 0454	88-108-102-080	0E	C-RES,U 1K-1/16W J	USM	CX-NDS55
X	DOLBY DIGITAL	R 0455	88-108-102-080	0E	C-RES,U 1K-1/16W J	USM	CX-NDS50
X	DOLBY DIGITAL	R 0455	88-108-102-080	0E	C-RES,U 1K-1/16W J	USM	CX-NDS55
X	DOLBY DIGITAL	R 0456	88-108-102-080	0E	C-RES,U 1K-1/16W J	USM	CX-NDS50
X	DOLBY DIGITAL	R 0456	88-108-102-080	0E	C-RES,U 1K-1/16W J	USM	CX-NDS55
X	DOLBY DIGITAL	R 0505	88-108-102-080	0E	C-RES,U 1K-1/16W J	USM	CX-NDS50
X	DOLBY DIGITAL	R 0505	88-108-102-080	0E	C-RES,U 1K-1/16W J	USM	CX-NDS55
X	DOLBY DIGITAL	R 0506	88-108-102-080	0E	C-RES,U 1K-1/16W J	USM	CX-NDS50
X	DOLBY DIGITAL	R 0506	88-108-102-080	0E	C-RES,U 1K-1/16W J	USM	CX-NDS55
X	DOLBY DIGITAL	R 0511	88-108-331-080	0E	C-RES,U 330-1/16W J	USM	CX-NDS50
X	DOLBY DIGITAL	R 0511	88-108-331-080	0E	C-RES,U 330-1/16W J	USM	CX-NDS55
X	DOLBY DIGITAL	R 0512	88-108-331-080	0E	C-RES,U 330-1/16W J	USM	CX-NDS50
X	DOLBY DIGITAL	R 0512	88-108-331-080	0E	C-RES,U 330-1/16W J	USM	CX-NDS55
X	DOLBY DIGITAL	R 0515	88-108-331-080	0E	C-RES,U 330-1/16W J	USM	CX-NDS50
X	DOLBY DIGITAL	R 0515	88-108-331-080	0E	C-RES,U 330-1/16W J	USM	CX-NDS55
X	DOLBY DIGITAL	R 0516	88-108-331-080	0E	C-RES,U 330-1/16W J	USM	CX-NDS50
X	DOLBY DIGITAL	R 0516	88-108-331-080	0E	C-RES,U 330-1/16W J	USM	CX-NDS55
X	DOLBY DIGITAL	R 0517	88-108-154-080	0E	C-RES,U 150K-1/16W J	USM	CX-NDS50
X	DOLBY DIGITAL	R 0517	88-108-154-080	0E	C-RES,U 150K-1/16W J	USM	CX-NDS55
X	DOLBY DIGITAL	R 0518	88-108-154-080	0E	C-RES,U 150K-1/16W J	USM	CX-NDS50
X	DOLBY DIGITAL	R 0518	88-108-154-080	0E	C-RES,U 150K-1/16W J	USM	CX-NDS55
X	DOLBY DIGITAL	R 0519	88-108-104-080	0E	C-RES,U 100K-1/16W J	USM	CX-NDS50
X	DOLBY DIGITAL	R 0519	88-108-104-080	0E	C-RES,U 100K-1/16W J	USM	CX-NDS55
X	DOLBY DIGITAL	R 0520	88-108-104-080	0E	C-RES,U 100K-1/16W J	USM	CX-NDS50
X	DOLBY DIGITAL	R 0520	88-108-104-080	0E	C-RES,U 100K-1/16W J	USM	CX-NDS55
X	DOLBY DIGITAL	R 0521	88-118-122-080	0E	C-RES,S 1.2K-1/10W J	USM	CX-NDS50
X	DOLBY DIGITAL	R 0521	88-118-122-080	0E	C-RES,S 1.2K-1/10W J	USM	CX-NDS55
X	DOLBY DIGITAL	R 0522	88-118-122-080	0E	C-RES,S 1.2K-1/10W J	USM	CX-NDS50
X	DOLBY DIGITAL	R 0522	88-118-122-080	0E	C-RES,S 1.2K-1/10W J	USM	CX-NDS55
X	DOLBY DIGITAL	R 0523	88-118-122-080	0E	C-RES,S 1.2K-1/10W J	USM	CX-NDS50
X	DOLBY DIGITAL	R 0523	88-118-122-080	0E	C-RES,S 1.2K-1/10W J	USM	CX-NDS55
X	DOLBY DIGITAL	R 0524	88-118-122-080	0E	C-RES,S 1.2K-1/10W J	USM	CX-NDS50
X	DOLBY DIGITAL	R 0524	88-118-122-080	0E	C-RES,S 1.2K-1/10W J	USM	CX-NDS55
X	DOLBY DIGITAL	R 0527	88-128-181-080	0E	C-RES, 180-1/8W J	USM	CX-NDS50
X	DOLBY DIGITAL	R 0527	88-128-181-080	0E	C-RES, 180-1/8W J	USM	CX-NDS55
X	DOLBY DIGITAL	R 0551	88-108-223-080	0E	C-RES,U 22K-1/16W J	USM	CX-NDS50
X	DOLBY DIGITAL	R 0551	88-108-223-080	0E	C-RES,U 22K-1/16W J	USM	CX-NDS55
X	DOLBY DIGITAL	R 0552	88-108-223-080	0E	C-RES,U 22K-1/16W J	USM	CX-NDS50
X	DOLBY DIGITAL	R 0552	88-108-223-080	0E	C-RES,U 22K-1/16W J	USM	CX-NDS55
X	DOLBY DIGITAL	R 0553	88-108-154-080	0E	C-RES,U 150K-1/16W J	USM	CX-NDS50
X	DOLBY DIGITAL	R 0553	88-108-154-080	0E	C-RES,U 150K-1/16W J	USM	CX-NDS55
X	DOLBY DIGITAL	R 0554	88-108-154-080	0E	C-RES,U 150K-1/16W J	USM	CX-NDS50
X	DOLBY DIGITAL	R 0554	88-108-154-080	0E	C-RES,U 150K-1/16W J	USM	CX-NDS55
X	DOLBY DIGITAL	R 0555	88-108-183-080	0E	C-RES,U 18K-1/16W J	USM	CX-NDS50
X	DOLBY DIGITAL	R 0555	88-108-183-080	0E	C-RES,U 18K-1/16W J	USM	CX-NDS55
X	DOLBY DIGITAL	R 0556	88-108-183-080	0E	C-RES,U 18K-1/16W J	USM	CX-NDS50
X	DOLBY DIGITAL	R 0556	88-108-183-080	0E	C-RES,U 18K-1/16W J	USM	CX-NDS55
X	DOLBY DIGITAL	R 0557	88-108-224-080	0E	C-RES,U 220K-1/16W J	USM	CX-NDS50
X	DOLBY DIGITAL	R 0557	88-108-224-080	0E	C-RES,U 220K-1/16W J	USM	CX-NDS55
X	DOLBY DIGITAL	R 0558	88-108-103-080	0E	C-RES,U 10K-1/16W J	USM	CX-NDS50
X	DOLBY DIGITAL	R 0558	88-108-103-080	0E	C-RES,U 10K-1/16W J	USM	CX-NDS55
X	DOLBY DIGITAL	R 0559	88-108-223-080	0E	C-RES,U 22K-1/16W J	USM	CX-NDS50
X	DOLBY DIGITAL	R 0559	88-108-223-080	0E	C-RES,U 22K-1/16W J	USM	CX-NDS55
X	DOLBY DIGITAL	R 0601	88-108-331-080	0E	C-RES,U 330-1/16W J	USM	CX-NDS50
X	DOLBY DIGITAL	R 0601	88-108-331-080	0E	C-RES,U 330-1/16W J	USM	CX-NDS55
X	DOLBY DIGITAL	R 0602	88-108-331-080	0E	C-RES,U 330-1/16W J	USM	CX-NDS50
X	DOLBY DIGITAL	R 0602	88-108-331-080	0E	C-RES,U 330-1/16W J	USM	CX-NDS55
X	DOLBY DIGITAL	R 0603	88-108-330-080	0E	C-RES,U 33-1/16W J	USM	CX-NDS50
X	DOLBY DIGITAL	R 0603	88-108-330-080	0E	C-RES,U 33-1/16W J	USM	CX-NDS55
X	DOLBY DIGITAL	R 0604	88-108-330-080	0E	C-RES,U 33-1/16W J	USM	CX-NDS50
X	DOLBY DIGITAL	R 0604	88-108-330-080	0E	C-RES,U 33-1/16W J	USM	CX-NDS55
X	DOLBY DIGITAL	R 0605	88-108-330-080	0E	C-RES,U 33-1/16W J	USM	CX-NDS50
X	DOLBY DIGITAL	R 0605	88-108-330-080	0E	C-RES,U 33-1/16W J	USM	CX-NDS55
X	DOLBY DIGITAL	R 0606	88-108-330-080	0E	C-RES,U 33-1/16W J	USM	CX-NDS50
X	DOLBY DIGITAL	R 0606	88-108-330-080	0E	C-RES,U 33-1/16W J	USM	CX-NDS55
X	DOLBY DIGITAL	R 0607	88-108-330-080	0E	C-RES,U 33-1/16W J	USM	CX-NDS50
X	DOLBY DIGITAL	R 0607	88-108-330-080	0E	C-RES,U 33-1/16W J	USM	CX-NDS55
X	DOLBY DIGITAL	R 0608	88-108-330-080	0E	C-RES,U 33-1/16W J	USM	CX-NDS50
X	DOLBY DIGITAL	R 0608	88-108-330-080	0E	C-RES,U 33-1/16W J	USM	CX-NDS55

PARTS LIST

! = Δ SAFTY PARTS
 C = Components marked

All components used on this model at the production line are shown in this service manual.

However, please note that not all components will be available as spare parts for after-sales service.

Components marked S and O are designated as spare parts for service and will be stocked at the spare parts centers.

Components marked X and R are not designated as spare parts for after sales service, and will not be stocked at the spare parts centers.

K NO. = Only use Japanese.

! C	UNIT NAME	REF NO.	PARTS CODE	K NO.	DESCRIPTION	SUFFIX	MODEL NAME
X	DOLBY DIGITAL	R 0609	88-108-330-080	OE	C-RES,U 33-1/16W J	USM	CX-NDS50
X	DOLBY DIGITAL	R 0609	88-108-330-080	OE	C-RES,U 33-1/16W J	USM	CX-NDS55
X	DOLBY DIGITAL	R 0610	88-108-330-080	OE	C-RES,U 33-1/16W J	USM	CX-NDS50
X	DOLBY DIGITAL	R 0610	88-108-330-080	OE	C-RES,U 33-1/16W J	USM	CX-NDS55
X	DOLBY DIGITAL	R 0611	88-108-681-080	OE	C-RES,U 680-1/16W J	USM	CX-NDS50
X	DOLBY DIGITAL	R 0611	88-108-681-080	OE	C-RES,U 680-1/16W J	USM	CX-NDS55
X	DOLBY DIGITAL	R 0651	88-108-332-080	OE	C-RES,U 3.3K-1/16W J	USM	CX-NDS50
X	DOLBY DIGITAL	R 0651	88-108-332-080	OE	C-RES,U 3.3K-1/16W J	USM	CX-NDS55
X	DOLBY DIGITAL	R 0652	88-108-101-080	OE	C-RES,U 100-1/16W J	USM	CX-NDS50
X	DOLBY DIGITAL	R 0652	88-108-101-080	OE	C-RES,U 100-1/16W J	USM	CX-NDS55
X	DOLBY DIGITAL	R 0653	88-108-152-080	OE	C-RES,U 1.5K-1/16W J	USM	CX-NDS50
X	DOLBY DIGITAL	R 0653	88-108-152-080	OE	C-RES,U 1.5K-1/16W J	USM	CX-NDS55
X	DOLBY DIGITAL	R 0654	88-108-561-080	OE	C-RES,U 560-1/16W J	USM	CX-NDS50
X	DOLBY DIGITAL	R 0654	88-108-561-080	OE	C-RES,U 560-1/16W J	USM	CX-NDS55
X	DOLBY DIGITAL	R 0655	88-108-561-080	OE	C-RES,U 560-1/16W J	USM	CX-NDS50
X	DOLBY DIGITAL	R 0655	88-108-561-080	OE	C-RES,U 560-1/16W J	USM	CX-NDS55
X	DOLBY DIGITAL	R 0656	88-108-101-080	OE	C-RES,U 100-1/16W J	USM	CX-NDS50
X	DOLBY DIGITAL	R 0656	88-108-101-080	OE	C-RES,U 100-1/16W J	USM	CX-NDS55
X	DOLBY DIGITAL	R 0657	88-108-102-080	OE	C-RES,U 1K-1/16W J	USM	CX-NDS50
X	DOLBY DIGITAL	R 0657	88-108-102-080	OE	C-RES,U 1K-1/16W J	USM	CX-NDS55
X	DOLBY DIGITAL	R 0658	88-108-152-080	OE	C-RES,U 1.5K-1/16W J	USM	CX-NDS50
X	DOLBY DIGITAL	R 0658	88-108-152-080	OE	C-RES,U 1.5K-1/16W J	USM	CX-NDS55
X	DOLBY DIGITAL	R 0701	88-108-681-080	OE	C-RES,U 680-1/16W J	USM	CX-NDS50
X	DOLBY DIGITAL	R 0701	88-108-681-080	OE	C-RES,U 680-1/16W J	USM	CX-NDS55
X	DOLBY DIGITAL	R 0702	88-108-330-080	OE	C-RES,U 33-1/16W J	USM	CX-NDS50
X	DOLBY DIGITAL	R 0702	88-108-330-080	OE	C-RES,U 33-1/16W J	USM	CX-NDS55
X	DOLBY DIGITAL	R 0704	88-108-330-080	OE	C-RES,U 33-1/16W J	USM	CX-NDS50
X	DOLBY DIGITAL	R 0704	88-108-330-080	OE	C-RES,U 33-1/16W J	USM	CX-NDS55
X	DOLBY DIGITAL	R 0705	88-108-330-080	OE	C-RES,U 33-1/16W J	USM	CX-NDS50
X	DOLBY DIGITAL	R 0705	88-108-330-080	OE	C-RES,U 33-1/16W J	USM	CX-NDS55
X	DOLBY DIGITAL	R 0706	88-108-391-080	OE	C-RES,U 390-1/16W J	USM	CX-NDS50
X	DOLBY DIGITAL	R 0706	88-108-391-080	OE	C-RES,U 390-1/16W J	USM	CX-NDS55
X	DOLBY DIGITAL	R 0707	88-108-103-080	OE	C-RES,U 10K-1/16W J	USM	CX-NDS50
X	DOLBY DIGITAL	R 0707	88-108-103-080	OE	C-RES,U 10K-1/16W J	USM	CX-NDS55
X	DOLBY DIGITAL	R 0708	88-108-473-080	OE	C-RES,U 47K-1/16W J	USM	CX-NDS50
X	DOLBY DIGITAL	R 0708	88-108-473-080	OE	C-RES,U 47K-1/16W J	USM	CX-NDS55
X	DOLBY DIGITAL	R 0709	88-108-331-080	OE	C-RES,U 330-1/16W J	USM	CX-NDS50
X	DOLBY DIGITAL	R 0709	88-108-331-080	OE	C-RES,U 330-1/16W J	USM	CX-NDS55
X	DOLBY DIGITAL	R 0710	88-108-331-080	OE	C-RES,U 330-1/16W J	USM	CX-NDS50
X	DOLBY DIGITAL	R 0710	88-108-331-080	OE	C-RES,U 330-1/16W J	USM	CX-NDS55
X	DOLBY DIGITAL	R 0711	88-108-330-080	OE	C-RES,U 33-1/16W J	USM	CX-NDS50
X	DOLBY DIGITAL	R 0711	88-108-330-080	OE	C-RES,U 33-1/16W J	USM	CX-NDS55
X	DOLBY DIGITAL	R 0713	88-108-330-080	OE	C-RES,U 33-1/16W J	USM	CX-NDS50
X	DOLBY DIGITAL	R 0713	88-108-330-080	OE	C-RES,U 33-1/16W J	USM	CX-NDS55
X	DOLBY DIGITAL	R 0714	88-108-330-080	OE	C-RES,U 33-1/16W J	USM	CX-NDS50
X	DOLBY DIGITAL	R 0714	88-108-330-080	OE	C-RES,U 33-1/16W J	USM	CX-NDS55
X	DOLBY DIGITAL	R 0715	88-108-330-080	OE	C-RES,U 33-1/16W J	USM	CX-NDS50
X	DOLBY DIGITAL	R 0715	88-108-330-080	OE	C-RES,U 33-1/16W J	USM	CX-NDS55
X	DOLBY DIGITAL	R 0716	88-108-472-080	OE	C-RES,U 4.7K-1/16W J	USM	CX-NDS50
X	DOLBY DIGITAL	R 0716	88-108-472-080	OE	C-RES,U 4.7K-1/16W J	USM	CX-NDS55
X	DOLBY DIGITAL	R 0721	88-108-104-080	OE	C-RES,U 100K-1/16W J	USM	CX-NDS50
X	DOLBY DIGITAL	R 0721	88-108-104-080	OE	C-RES,U 100K-1/16W J	USM	CX-NDS55
X	DOLBY DIGITAL	R 0722	88-108-221-080	OE	C-RES,U 220-1/16W J	USM	CX-NDS50
X	DOLBY DIGITAL	R 0722	88-108-221-080	OE	C-RES,U 220-1/16W J	USM	CX-NDS55
X	DOLBY DIGITAL	R 0724	88-108-331-080	OE	C-RES,U 330-1/16W J	USM	CX-NDS50
X	DOLBY DIGITAL	R 0724	88-108-331-080	OE	C-RES,U 330-1/16W J	USM	CX-NDS55
X	DOLBY DIGITAL	R 0725	88-108-681-080	OE	C-RES,U 680-1/16W J	USM	CX-NDS50
X	DOLBY DIGITAL	R 0725	88-108-681-080	OE	C-RES,U 680-1/16W J	USM	CX-NDS55
X	DOLBY DIGITAL	R 0751	88-108-471-080	OE	C-RES,U 470-1/16W J	USM	CX-NDS50
X	DOLBY DIGITAL	R 0751	88-108-471-080	OE	C-RES,U 470-1/16W J	USM	CX-NDS55
X	DOLBY DIGITAL	R 0773	88-128-100-080	OE	C-RES, 10-1/8W J	USM	CX-NDS50
X	DOLBY DIGITAL	R 0773	88-128-100-080	OE	C-RES, 10-1/8W J	USM	CX-NDS55
X	DOLBY DIGITAL	R 0801	88-108-101-080	OE	C-RES,U 100-1/16W J	USM	CX-NDS50
X	DOLBY DIGITAL	R 0801	88-108-101-080	OE	C-RES,U 100-1/16W J	USM	CX-NDS55
X	DOLBY DIGITAL	R 0802	88-108-330-080	OE	C-RES,U 33-1/16W J	USM	CX-NDS50
X	DOLBY DIGITAL	R 0802	88-108-330-080	OE	C-RES,U 33-1/16W J	USM	CX-NDS55
X	DOLBY DIGITAL	R 0803	88-108-472-080	OE	C-RES,U 4.7K-1/16W J	USM	CX-NDS50
X	DOLBY DIGITAL	R 0803	88-108-472-080	OE	C-RES,U 4.7K-1/16W J	USM	CX-NDS55
X	DOLBY DIGITAL	R 0804	88-108-472-080	OE	C-RES,U 4.7K-1/16W J	USM	CX-NDS50
X	DOLBY DIGITAL	R 0804	88-108-472-080	OE	C-RES,U 4.7K-1/16W J	USM	CX-NDS55

PARTS LIST

! = Δ SAFTY PARTS
 C = Components marked

All components used on this model at the production line are shown in this service manual.

However, please note that not all components will be available as spare parts for after-sales service.

Components marked S and O are designated as spare parts for service and will be stocked at the spare parts centers.

Components marked X and R are not designated as spare parts for after sales service, and will not be stocked at the spare parts centers.

K NO. = Only use Japanese.

! C	UNIT NAME	REF NO.	PARTS CODE	K NO.	DESCRIPTION	SUFFIX	MODEL NAME
X	DOLBY DIGITAL	R 0805	88-108-101-080	0E	C-RES,U 100-1/16W J	USM	CX-NDS50
X	DOLBY DIGITAL	R 0805	88-108-101-080	0E	C-RES,U 100-1/16W J	USM	CX-NDS55
X	DOLBY DIGITAL	R 0806	88-108-101-080	0E	C-RES,U 100-1/16W J	USM	CX-NDS50
X	DOLBY DIGITAL	R 0806	88-108-101-080	0E	C-RES,U 100-1/16W J	USM	CX-NDS55
X	DOLBY DIGITAL	R 0807	88-108-333-080	0E	C-RES,U 33K-1/16W J	USM	CX-NDS50
X	DOLBY DIGITAL	R 0807	88-108-333-080	0E	C-RES,U 33K-1/16W J	USM	CX-NDS55
X	DOLBY DIGITAL	R 0808	88-108-681-080	0E	C-RES,U 680-1/16W J	USM	CX-NDS50
X	DOLBY DIGITAL	R 0808	88-108-681-080	0E	C-RES,U 680-1/16W J	USM	CX-NDS55
X	DOLBY DIGITAL	R 0809	88-108-103-080	0E	C-RES,U 10K-1/16W J	USM	CX-NDS50
X	DOLBY DIGITAL	R 0809	88-108-103-080	0E	C-RES,U 10K-1/16W J	USM	CX-NDS55
X	DOLBY DIGITAL	R 0810	88-108-330-080	0E	C-RES,U 33-1/16W J	USM	CX-NDS50
X	DOLBY DIGITAL	R 0810	88-108-330-080	0E	C-RES,U 33-1/16W J	USM	CX-NDS55
X	DOLBY DIGITAL	R 0811	88-108-330-080	0E	C-RES,U 33-1/16W J	USM	CX-NDS50
X	DOLBY DIGITAL	R 0811	88-108-330-080	0E	C-RES,U 33-1/16W J	USM	CX-NDS55
X	DOLBY DIGITAL	R 0812	88-108-330-080	0E	C-RES,U 33-1/16W J	USM	CX-NDS50
X	DOLBY DIGITAL	R 0812	88-108-330-080	0E	C-RES,U 33-1/16W J	USM	CX-NDS55
X	DOLBY DIGITAL	R 0813	88-108-472-080	0E	C-RES,U 4.7K-1/16W J	USM	CX-NDS50
X	DOLBY DIGITAL	R 0813	88-108-472-080	0E	C-RES,U 4.7K-1/16W J	USM	CX-NDS55
X	DOLBY DIGITAL	R 0814	88-108-681-080	0E	C-RES,U 680-1/16W J	USM	CX-NDS50
X	DOLBY DIGITAL	R 0814	88-108-681-080	0E	C-RES,U 680-1/16W J	USM	CX-NDS55
X	DOLBY DIGITAL	R 0815	88-108-330-080	0E	C-RES,U 33-1/16W J	USM	CX-NDS50
X	DOLBY DIGITAL	R 0815	88-108-330-080	0E	C-RES,U 33-1/16W J	USM	CX-NDS55
X	DOLBY DIGITAL	R 0817	88-108-103-080	0E	C-RES,U 10K-1/16W J	USM	CX-NDS50
X	DOLBY DIGITAL	R 0817	88-108-103-080	0E	C-RES,U 10K-1/16W J	USM	CX-NDS55
X	DOLBY DIGITAL	R 0818	88-108-472-080	0E	C-RES,U 4.7K-1/16W J	USM	CX-NDS50
X	DOLBY DIGITAL	R 0818	88-108-472-080	0E	C-RES,U 4.7K-1/16W J	USM	CX-NDS55
X	DOLBY DIGITAL	R 0819	88-108-330-080	0E	C-RES,U 33-1/16W J	USM	CX-NDS50
X	DOLBY DIGITAL	R 0819	88-108-330-080	0E	C-RES,U 33-1/16W J	USM	CX-NDS55
X	DOLBY DIGITAL	R 0820	88-108-472-080	0E	C-RES,U 4.7K-1/16W J	USM	CX-NDS50
X	DOLBY DIGITAL	R 0820	88-108-472-080	0E	C-RES,U 4.7K-1/16W J	USM	CX-NDS55
X	DOLBY DIGITAL	R 0821	88-108-330-080	0E	C-RES,U 33-1/16W J	USM	CX-NDS50
X	DOLBY DIGITAL	R 0821	88-108-330-080	0E	C-RES,U 33-1/16W J	USM	CX-NDS55
X	DOLBY DIGITAL	R 0822	88-108-330-080	0E	C-RES,U 33-1/16W J	USM	CX-NDS50
X	DOLBY DIGITAL	R 0822	88-108-330-080	0E	C-RES,U 33-1/16W J	USM	CX-NDS55
X	DOLBY DIGITAL	R 0823	88-108-330-080	0E	C-RES,U 33-1/16W J	USM	CX-NDS50
X	DOLBY DIGITAL	R 0823	88-108-330-080	0E	C-RES,U 33-1/16W J	USM	CX-NDS55
X	DOLBY DIGITAL	R 0824	88-108-103-080	0E	C-RES,U 10K-1/16W J	USM	CX-NDS50
X	DOLBY DIGITAL	R 0824	88-108-103-080	0E	C-RES,U 10K-1/16W J	USM	CX-NDS55
X	DOLBY DIGITAL	R 0825	88-108-330-080	0E	C-RES,U 33-1/16W J	USM	CX-NDS50
X	DOLBY DIGITAL	R 0825	88-108-330-080	0E	C-RES,U 33-1/16W J	USM	CX-NDS55
X	DOLBY DIGITAL	W 0401	89-990-113-410	0E	WIRE,U24X0-11-5 F	USM	CX-NDS50
X	DOLBY DIGITAL	W 0401	89-990-113-410	0E	WIRE,U24X0-11-5 F	USM	CX-NDS55
O	DOLBY DIGITAL	X 0701	87-A70-115-010	1B	VIB,XTAL 12.288MHZ	USM	CX-NDS50
O	DOLBY DIGITAL	X 0701	87-A70-115-010	1B	VIB,XTAL 12.288MHZ	USM	CX-NDS55
X	ELECTRICAL		80-XV1-218-010	0E	CUSH-S,PWB	USM	CX-NDS50
X	ELECTRICAL		80-XV1-218-010	0E	CUSH-S,PWB	USM	CX-NDS55
O	ELECTRICAL		87-018-127-080	0E	CAP,TC U 470P-50 K B UP050	USM	CX-NDS50
O	ELECTRICAL		87-018-127-080	0E	CAP,TC U 470P-50 K B UP050	USM	CX-NDS55
! X	ELECTRICAL		87-069-033-010	0E	CABLE,TIE	USM	CX-NDS50
! X	ELECTRICAL		87-069-033-010	0E	CABLE,TIE	USM	CX-NDS55
O	ELECTRICAL		87-A12-073-080	0E	CAP,E 220-25 SMG	USM	CX-NDS50
O	ELECTRICAL		87-A12-073-080	0E	CAP,E 220-25 SMG	USM	CX-NDS55
O	ELECTRICAL		87-A90-173-010	1C	F-BEAD,9-20-21 ZCAT2017-0930-M	USM	CX-NDS50
O	ELECTRICAL		87-A90-173-010	1C	F-BEAD,9-20-21 ZCAT2017-0930-M	USM	CX-NDS55
O	ELECTRICAL		87-A90-457-010	1B	F-BEAD,15-25-15 E2515JRT	USM	CX-NDS50
O	ELECTRICAL		87-A90-457-010	1B	F-BEAD,15-25-15 E2515JRT	USM	CX-NDS55
! O	ELECTRICAL		87-A91-422-010	1D	BUSHING,AC CORD(U)	USM	CX-NDS50
! O	ELECTRICAL		87-A91-422-010	1D	BUSHING,AC CORD(U)	USM	CX-NDS55
! O	ELECTRICAL		87-A91-711-010	2A	FAN,3110GL-B4W-B34-H04 -400MM	USM	CX-NDS50
! O	ELECTRICAL		87-A91-711-010	2A	FAN,3110GL-B4W-B34-H04 -400MM	USM	CX-NDS55
O	ELECTRICAL		88-906-251-110	1A	FF-CABLE,6P 1.25	USM	CX-NDS50
O	ELECTRICAL		88-906-251-110	1A	FF-CABLE,6P 1.25	USM	CX-NDS55
O	ELECTRICAL		88-907-121-110	0E	FF-CABLE,7P 1.25 120MM	USM	CX-NDS50
O	ELECTRICAL		88-907-121-110	0E	FF-CABLE,7P 1.25 120MM	USM	CX-NDS55
O	ELECTRICAL		88-908-301-110	1A	FF-CABLE,8P 1.25	USM	CX-NDS50
O	ELECTRICAL		88-908-301-110	1A	FF-CABLE,8P 1.25	USM	CX-NDS55
O	ELECTRICAL		88-911-101-110	0E	FF-CABLE,11P 1.25	USM	CX-NDS50
O	ELECTRICAL		88-911-101-110	0E	FF-CABLE,11P 1.25	USM	CX-NDS55
O	ELECTRICAL		88-912-371-110	0E	FF-CABLE,12P 1.25 370MM	USM	CX-NDS50
O	ELECTRICAL		88-912-371-110	0E	FF-CABLE,12P 1.25 370MM	USM	CX-NDS55

PARTS LIST

! = Δ SAFTY PARTS
 C = Components marked

All components used on this model at the production line are shown in this service manual.

However, please note that not all components will be available as spare parts for after-sales service.

Components marked S and O are designated as spare parts for service and will be stocked at the spare parts centers.

Components marked X and R are not designated as spare parts for after sales service, and will not be stocked at the spare parts centers.

K NO. = Only use Japanese.

! C	UNIT NAME	REF NO.	PARTS CODE	K NO.	DESCRIPTION	SUFFIX	MODEL NAME
O	ELECTRICAL		8B-NCK-611-010	1C	CONN ASSY,15P BNC-K PH	USM	CX-NDS50
O	ELECTRICAL		8B-NCK-611-010	1C	CONN ASSY,15P BNC-K PH	USM	CX-NDS55
O	ELECTRICAL	C 0333	87-016-251-080	0E	CAP,E 220-16 M SMG	USM	CX-NDS50
O	ELECTRICAL	C 0333	87-016-251-080	0E	CAP,E 220-16 M SMG	USM	CX-NDS55
X	ELECTRICAL	C 0833	88-214-810-810	0E	CAP,CER 0.01-50 M Y	USM	CX-NDS50
X	ELECTRICAL	C 0833	88-214-810-810	0E	CAP,CER 0.01-50 M Y	USM	CX-NDS55
X	ELECTRICAL	C 0834	88-214-810-810	0E	CAP,CER 0.01-50 M Y	USM	CX-NDS50
X	ELECTRICAL	C 0834	88-214-810-810	0E	CAP,CER 0.01-50 M Y	USM	CX-NDS55
S	ELECTRICAL	D 0702	87-A40-739-080	0E	ZENER,UZ2.7BSA	USM	CX-NDS50
S	ELECTRICAL	D 0702	87-A40-739-080	0E	ZENER,UZ2.7BSA	USM	CX-NDS55
O	ELECTRICAL	L 0909	87-A91-639-010	1A	TRANS,BALUN FM	USM	CX-NDS50
O	ELECTRICAL	L 0909	87-A91-639-010	1A	TRANS,BALUN FM	USM	CX-NDS55
!	O ELECTRICAL	PT 0001	8B-NCK-612-010	2B	PT,BNC-19 U	USM	CX-NDS50
!	O ELECTRICAL	PT 0001	8B-NCK-612-010	2B	PT,BNC-19 U	USM	CX-NDS55
!	O ELECTRICAL	W 0001	87-A80-149-010	1B	AC CORD ASSY,U BLK	USM	CX-NDS50
!	O ELECTRICAL	W 0001	87-A80-149-010	1B	AC CORD ASSY,U BLK	USM	CX-NDS55
O	FRCB MECHA		8B-NFK-201-010	0E	GUIDE,FL	USM	CX-NDS50
O	FRCB MECHA		8B-NFK-201-010	0E	GUIDE,FL	USM	CX-NDS55
O	FUNC/E.VR	C 0619	87-010-831-080	0E	C-CAP,U 0.1-16 Z F	USM	CX-NDS50
O	FUNC/E.VR	C 0619	87-010-831-080	0E	C-CAP,U 0.1-16 Z F	USM	CX-NDS55
O	FUNC/E.VR	C 0621	87-012-278-080	0E	C-CAP,U 2200P-50 K B	USM	CX-NDS50
O	FUNC/E.VR	C 0621	87-012-278-080	0E	C-CAP,U 2200P-50 K B	USM	CX-NDS55
O	FUNC/E.VR	C 0622	87-012-278-080	0E	C-CAP,U 2200P-50 K B	USM	CX-NDS50
O	FUNC/E.VR	C 0622	87-012-278-080	0E	C-CAP,U 2200P-50 K B	USM	CX-NDS55
O	FUNC/E.VR	C 0633	87-012-281-080	0E	C-CAP,U 3900P-50 K B GRM	USM	CX-NDS50
O	FUNC/E.VR	C 0633	87-012-281-080	0E	C-CAP,U 3900P-50 K B GRM	USM	CX-NDS55
O	FUNC/E.VR	C 0634	87-016-369-080	0E	C-CAP,S 0.033-25 K B GRM	USM	CX-NDS50
O	FUNC/E.VR	C 0634	87-016-369-080	0E	C-CAP,S 0.033-25 K B GRM	USM	CX-NDS55
O	FUNC/E.VR	C 0635	87-012-281-080	0E	C-CAP,U 3900P-50 K B GRM	USM	CX-NDS50
O	FUNC/E.VR	C 0635	87-012-281-080	0E	C-CAP,U 3900P-50 K B GRM	USM	CX-NDS55
O	FUNC/E.VR	C 0636	87-016-369-080	0E	C-CAP,S 0.033-25 K B GRM	USM	CX-NDS50
O	FUNC/E.VR	C 0636	87-016-369-080	0E	C-CAP,S 0.033-25 K B GRM	USM	CX-NDS55
O	FUNC/E.VR	C 0637	87-A12-088-080	0E	CAP,E 2.2-50 SMG	USM	CX-NDS50
O	FUNC/E.VR	C 0637	87-A12-088-080	0E	CAP,E 2.2-50 SMG	USM	CX-NDS55
O	FUNC/E.VR	C 0638	87-A12-088-080	0E	CAP,E 2.2-50 SMG	USM	CX-NDS50
O	FUNC/E.VR	C 0638	87-A12-088-080	0E	CAP,E 2.2-50 SMG	USM	CX-NDS55
O	FUNC/E.VR	C 0656	87-A10-260-080	0E	C-CAP,U 0.1-16 K B	USM	CX-NDS50
O	FUNC/E.VR	C 0656	87-A10-260-080	0E	C-CAP,U 0.1-16 K B	USM	CX-NDS55
X	FUNC/E.VR	C 0671	88-707-919-810	0E	CAP,M 0.1-50 J TF ECQ	USM	CX-NDS50
X	FUNC/E.VR	C 0671	88-707-919-810	0E	CAP,M 0.1-50 J TF ECQ	USM	CX-NDS55
X	FUNC/E.VR	C 0672	88-707-919-810	0E	CAP,M 0.1-50 J TF ECQ	USM	CX-NDS50
X	FUNC/E.VR	C 0672	88-707-919-810	0E	CAP,M 0.1-50 J TF ECQ	USM	CX-NDS55
X	FUNC/E.VR	C 0673	88-707-919-810	0E	CAP,M 0.1-50 J TF ECQ	USM	CX-NDS50
X	FUNC/E.VR	C 0673	88-707-919-810	0E	CAP,M 0.1-50 J TF ECQ	USM	CX-NDS55
X	FUNC/E.VR	C 0674	88-707-919-810	0E	CAP,M 0.1-50 J TF ECQ	USM	CX-NDS50
X	FUNC/E.VR	C 0674	88-707-919-810	0E	CAP,M 0.1-50 J TF ECQ	USM	CX-NDS55
O	FUNC/E.VR	C 0675	87-012-282-080	0E	C-CAP,U 4700P-50 K B	USM	CX-NDS50
O	FUNC/E.VR	C 0675	87-012-282-080	0E	C-CAP,U 4700P-50 K B	USM	CX-NDS55
O	FUNC/E.VR	C 0676	87-012-282-080	0E	C-CAP,U 4700P-50 K B	USM	CX-NDS50
O	FUNC/E.VR	C 0676	87-012-282-080	0E	C-CAP,U 4700P-50 K B	USM	CX-NDS55
X	FUNC/E.VR	C 0677	88-707-919-810	0E	CAP,M 0.1-50 J TF ECQ	USM	CX-NDS50
X	FUNC/E.VR	C 0677	88-707-919-810	0E	CAP,M 0.1-50 J TF ECQ	USM	CX-NDS55
X	FUNC/E.VR	C 0678	88-707-919-810	0E	CAP,M 0.1-50 J TF ECQ	USM	CX-NDS50
X	FUNC/E.VR	C 0678	88-707-919-810	0E	CAP,M 0.1-50 J TF ECQ	USM	CX-NDS55
X	FUNC/E.VR	C 0679	88-707-919-810	0E	CAP,M 0.1-50 J TF ECQ	USM	CX-NDS50
X	FUNC/E.VR	C 0679	88-707-919-810	0E	CAP,M 0.1-50 J TF ECQ	USM	CX-NDS55
X	FUNC/E.VR	C 0680	88-707-919-810	0E	CAP,M 0.1-50 J TF ECQ	USM	CX-NDS50
X	FUNC/E.VR	C 0680	88-707-919-810	0E	CAP,M 0.1-50 J TF ECQ	USM	CX-NDS55
O	FUNC/E.VR	C 0683	87-A11-969-080	0E	C-CAP,U 0.082U-16 K B	USM	CX-NDS50
O	FUNC/E.VR	C 0683	87-A11-969-080	0E	C-CAP,U 0.082U-16 K B	USM	CX-NDS55
O	FUNC/E.VR	C 0684	87-A12-075-080	0E	CAP,E 10-35 SMG	USM	CX-NDS50
O	FUNC/E.VR	C 0684	87-A12-075-080	0E	CAP,E 10-35 SMG	USM	CX-NDS55
O	FUNC/E.VR	C 0685	87-012-167-080	0E	C-CAP,U 5P-50 C CH	USM	CX-NDS50
O	FUNC/E.VR	C 0685	87-012-167-080	0E	C-CAP,U 5P-50 C CH	USM	CX-NDS55
O	FUNC/E.VR	C 0686	87-010-759-080	0E	C-CAP,U 0.1-25 Z F	USM	CX-NDS50
O	FUNC/E.VR	C 0686	87-010-759-080	0E	C-CAP,U 0.1-25 Z F	USM	CX-NDS55
O	FUNC/E.VR	C 0687	87-010-759-080	0E	C-CAP,U 0.1-25 Z F	USM	CX-NDS50
O	FUNC/E.VR	C 0687	87-010-759-080	0E	C-CAP,U 0.1-25 Z F	USM	CX-NDS55
O	FUNC/E.VR	C 0688	87-A12-062-080	0E	CAP,E 100-10 SMG	USM	CX-NDS50
O	FUNC/E.VR	C 0688	87-A12-062-080	0E	CAP,E 100-10 SMG	USM	CX-NDS55

PARTS LIST

! = Δ SAFTY PARTS
 C = Components marked

All components used on this model at the production line are shown in this service manual.

However, please note that not all components will be available as spare parts for after-sales service.

Components marked S and O are designated as spare parts for service and will be stocked at the spare parts centers.

Components marked X and R are not designated as spare parts for after sales service, and will not be stocked at the spare parts centers.

K NO. = Only use Japanese.

! C	UNIT NAME	REF NO.	PARTS CODE	K NO.	DESCRIPTION	SUFFIX	MODEL NAME
O	FUNC/E.VR	C 0689	87-A12-058-080	0E	CAP,E 470-6.3 SMG	USM	CX-NDS50
O	FUNC/E.VR	C 0689	87-A12-058-080	0E	CAP,E 470-6.3 SMG	USM	CX-NDS55
O	FUNC/E.VR	C 0701	87-012-195-080	0E	C-CAP,U 100P-50 J CH	USM	CX-NDS50
O	FUNC/E.VR	C 0701	87-012-195-080	0E	C-CAP,U 100P-50 J CH	USM	CX-NDS55
O	FUNC/E.VR	C 0702	87-012-195-080	0E	C-CAP,U 100P-50 J CH	USM	CX-NDS50
O	FUNC/E.VR	C 0702	87-012-195-080	0E	C-CAP,U 100P-50 J CH	USM	CX-NDS55
O	FUNC/E.VR	C 0703	87-012-286-080	0E	C-CAP,U 0.01-25 K B	USM	CX-NDS50
O	FUNC/E.VR	C 0703	87-012-286-080	0E	C-CAP,U 0.01-25 K B	USM	CX-NDS55
O	FUNC/E.VR	C 0707	87-A12-088-080	0E	CAP,E 2.2-50 SMG	USM	CX-NDS50
O	FUNC/E.VR	C 0707	87-A12-088-080	0E	CAP,E 2.2-50 SMG	USM	CX-NDS55
O	FUNC/E.VR	C 0708	87-A12-088-080	0E	CAP,E 2.2-50 SMG	USM	CX-NDS50
O	FUNC/E.VR	C 0708	87-A12-088-080	0E	CAP,E 2.2-50 SMG	USM	CX-NDS55
!	FUNC/E.VR	CN 0601	87-099-719-010	1B	CONN,30P H BLK TYK-B(X)	USM	CX-NDS50
!	FUNC/E.VR	CN 0601	87-099-719-010	1B	CONN,30P H BLK TYK-B(X)	USM	CX-NDS55
!	FUNC/E.VR	CN 0701	87-A60-061-010	0E	CONN,06P V 9604S-06C	USM	CX-NDS50
!	FUNC/E.VR	CN 0701	87-A60-061-010	0E	CONN,06P V 9604S-06C	USM	CX-NDS55
O	FUNC/E.VR	CN 0703	87-010-385-040	0E	CAP,E 220-25 M SME	USM	CX-NDS50
O	FUNC/E.VR	CN 0703	87-010-385-040	0E	CAP,E 220-25 M SME	USM	CX-NDS55
O	FUNC/E.VR	CNA0602	87-A60-632-010	0E	CONN,15P V 2MM JMT	USM	CX-NDS50
O	FUNC/E.VR	CNA0602	87-A60-632-010	0E	CONN,15P V 2MM JMT	USM	CX-NDS55
S	FUNC/E.VR	D 0601	87-A40-747-080	0E	ZENER,UZ5.1BSB	USM	CX-NDS50
S	FUNC/E.VR	D 0601	87-A40-747-080	0E	ZENER,UZ5.1BSB	USM	CX-NDS55
S	FUNC/E.VR	D 0602	87-A40-745-080	0E	ZENER,UZ4.7BSA	USM	CX-NDS50
S	FUNC/E.VR	D 0602	87-A40-745-080	0E	ZENER,UZ4.7BSA	USM	CX-NDS55
X	FUNC/E.VR	FB 0701	88-100-000-010	0E	PLATING-JW, 0.58 SN95	USM	CX-NDS50
X	FUNC/E.VR	FB 0701	88-100-000-010	0E	PLATING-JW, 0.58 SN95	USM	CX-NDS55
S	FUNC/E.VR	IC 0601	87-A21-882-030	2M	C-IC,M62466FP	USM	CX-NDS50
S	FUNC/E.VR	IC 0601	87-A21-882-030	2M	C-IC,M62466FP	USM	CX-NDS55
O	FUNC/E.VR	J 0603	87-A60-881-010	0E	JACK,PIN 2P MSP 242V05 PBSN	USM	CX-NDS50
O	FUNC/E.VR	J 0603	87-A60-881-010	0E	JACK,PIN 2P MSP 242V05 PBSN	USM	CX-NDS55
X	FUNC/E.VR	JR 0502	88-118-000-080	0E	C-JUMPER,S	USM	CX-NDS50
X	FUNC/E.VR	JR 0502	88-118-000-080	0E	C-JUMPER,S	USM	CX-NDS55
X	FUNC/E.VR	JR 0607	88-108-000-080	0E	C-JUMPER,U	USM	CX-NDS50
X	FUNC/E.VR	JR 0607	88-108-000-080	0E	C-JUMPER,U	USM	CX-NDS55
X	FUNC/E.VR	JR 0608	88-108-000-080	0E	C-JUMPER,U	USM	CX-NDS50
X	FUNC/E.VR	JR 0608	88-108-000-080	0E	C-JUMPER,U	USM	CX-NDS55
X	FUNC/E.VR	JR 0611	88-108-000-080	0E	C-JUMPER,U	USM	CX-NDS50
X	FUNC/E.VR	JR 0611	88-108-000-080	0E	C-JUMPER,U	USM	CX-NDS55
X	FUNC/E.VR	JR 0612	88-129-000-080	0E	C-JUMPER, 3216	USM	CX-NDS50
X	FUNC/E.VR	JR 0612	88-129-000-080	0E	C-JUMPER, 3216	USM	CX-NDS55
X	FUNC/E.VR	JR 0618	88-108-000-080	0E	C-JUMPER,U	USM	CX-NDS50
X	FUNC/E.VR	JR 0618	88-108-000-080	0E	C-JUMPER,U	USM	CX-NDS55
X	FUNC/E.VR	JR 0619	88-129-000-080	0E	C-JUMPER, 3216	USM	CX-NDS50
X	FUNC/E.VR	JR 0619	88-129-000-080	0E	C-JUMPER, 3216	USM	CX-NDS55
X	FUNC/E.VR	JR 0640	88-129-000-080	0E	C-JUMPER, 3216	USM	CX-NDS50
X	FUNC/E.VR	JR 0640	88-129-000-080	0E	C-JUMPER, 3216	USM	CX-NDS55
X	FUNC/E.VR	JR 0641	88-129-000-080	0E	C-JUMPER, 3216	USM	CX-NDS50
X	FUNC/E.VR	JR 0641	88-129-000-080	0E	C-JUMPER, 3216	USM	CX-NDS55
X	FUNC/E.VR	JR 0643	88-108-000-080	0E	C-JUMPER,U	USM	CX-NDS50
X	FUNC/E.VR	JR 0643	88-108-000-080	0E	C-JUMPER,U	USM	CX-NDS55
X	FUNC/E.VR	JR 0644	88-108-000-080	0E	C-JUMPER,U	USM	CX-NDS50
X	FUNC/E.VR	JR 0644	88-108-000-080	0E	C-JUMPER,U	USM	CX-NDS55
X	FUNC/E.VR	JR 0645	88-108-000-080	0E	C-JUMPER,U	USM	CX-NDS50
X	FUNC/E.VR	JR 0645	88-108-000-080	0E	C-JUMPER,U	USM	CX-NDS55
X	FUNC/E.VR	JR 0646	88-108-000-080	0E	C-JUMPER,U	USM	CX-NDS50
X	FUNC/E.VR	JR 0646	88-108-000-080	0E	C-JUMPER,U	USM	CX-NDS55
X	FUNC/E.VR	JR 0647	88-108-000-080	0E	C-JUMPER,U	USM	CX-NDS50
X	FUNC/E.VR	JR 0647	88-108-000-080	0E	C-JUMPER,U	USM	CX-NDS55
X	FUNC/E.VR	JR 0648	88-108-000-080	0E	C-JUMPER,U	USM	CX-NDS50
X	FUNC/E.VR	JR 0648	88-108-000-080	0E	C-JUMPER,U	USM	CX-NDS55
X	FUNC/E.VR	JR 0650	88-108-000-080	0E	C-JUMPER,U	USM	CX-NDS50
X	FUNC/E.VR	JR 0650	88-108-000-080	0E	C-JUMPER,U	USM	CX-NDS55
X	FUNC/E.VR	JR 0651	88-108-000-080	0E	C-JUMPER,U	USM	CX-NDS50
X	FUNC/E.VR	JR 0651	88-108-000-080	0E	C-JUMPER,U	USM	CX-NDS55
X	FUNC/E.VR	JR 0652	88-108-000-080	0E	C-JUMPER,U	USM	CX-NDS50
X	FUNC/E.VR	JR 0652	88-108-000-080	0E	C-JUMPER,U	USM	CX-NDS55
X	FUNC/E.VR	JR 0653	88-108-000-080	0E	C-JUMPER,U	USM	CX-NDS50
X	FUNC/E.VR	JR 0653	88-108-000-080	0E	C-JUMPER,U	USM	CX-NDS55
X	FUNC/E.VR	JR 0654	88-129-000-080	0E	C-JUMPER, 3216	USM	CX-NDS50
X	FUNC/E.VR	JR 0654	88-129-000-080	0E	C-JUMPER, 3216	USM	CX-NDS55

PARTS LIST

! = Δ SAFTY PARTS
 C = Components marked

All components used on this model at the production line are shown in this service manual.

However, please note that not all components will be available as spare parts for after-sales service.

Components marked S and O are designated as spare parts for service and will be stocked at the spare parts centers.

Components marked X and R are not designated as spare parts for after sales service, and will not be stocked at the spare parts centers.

K NO. = Only use Japanese.

! C	UNIT NAME	REF NO.	PARTS CODE	K NO.	DESCRIPTION	SUFFIX	MODEL NAME
X	FUNC/E.VR	JR 0655	88-108-000-080	0E	C-JUMPER,U	USM	CX-NDS50
X	FUNC/E.VR	JR 0655	88-108-000-080	0E	C-JUMPER,U	USM	CX-NDS55
X	FUNC/E.VR	JR 0656	88-108-000-080	0E	C-JUMPER,U	USM	CX-NDS50
X	FUNC/E.VR	JR 0656	88-108-000-080	0E	C-JUMPER,U	USM	CX-NDS55
X	FUNC/E.VR	JR 0657	88-108-000-080	0E	C-JUMPER,U	USM	CX-NDS50
X	FUNC/E.VR	JR 0657	88-108-000-080	0E	C-JUMPER,U	USM	CX-NDS55
X	FUNC/E.VR	JR 0658	88-108-000-080	0E	C-JUMPER,U	USM	CX-NDS50
X	FUNC/E.VR	JR 0658	88-108-000-080	0E	C-JUMPER,U	USM	CX-NDS55
X	FUNC/E.VR	JR 0659	88-108-000-080	0E	C-JUMPER,U	USM	CX-NDS50
X	FUNC/E.VR	JR 0659	88-108-000-080	0E	C-JUMPER,U	USM	CX-NDS55
X	FUNC/E.VR	JR 0703	88-108-000-080	0E	C-JUMPER,U	USM	CX-NDS50
X	FUNC/E.VR	JR 0703	88-108-000-080	0E	C-JUMPER,U	USM	CX-NDS55
S	FUNC/E.VR	Q 0601	87-A30-076-080	0E	C-TR,2SC3052F	USM	CX-NDS50
S	FUNC/E.VR	Q 0601	87-A30-076-080	0E	C-TR,2SC3052F	USM	CX-NDS55
S	FUNC/E.VR	Q 0611	87-A30-087-080	0E	C-FET,2SK2158	USM	CX-NDS50
S	FUNC/E.VR	Q 0611	87-A30-087-080	0E	C-FET,2SK2158	USM	CX-NDS55
S	FUNC/E.VR	Q 0612	87-A30-087-080	0E	C-FET,2SK2158	USM	CX-NDS50
S	FUNC/E.VR	Q 0612	87-A30-087-080	0E	C-FET,2SK2158	USM	CX-NDS55
X	FUNC/E.VR	R 0601	88-108-332-080	0E	C-RES,U 3.3K-1/16W J	USM	CX-NDS50
X	FUNC/E.VR	R 0601	88-108-332-080	0E	C-RES,U 3.3K-1/16W J	USM	CX-NDS55
X	FUNC/E.VR	R 0602	88-108-332-080	0E	C-RES,U 3.3K-1/16W J	USM	CX-NDS50
X	FUNC/E.VR	R 0602	88-108-332-080	0E	C-RES,U 3.3K-1/16W J	USM	CX-NDS55
X	FUNC/E.VR	R 0607	88-121-392-080	0E	RES,3.9K-1/8W J	USM	CX-NDS50
X	FUNC/E.VR	R 0607	88-121-392-080	0E	RES,3.9K-1/8W J	USM	CX-NDS55
X	FUNC/E.VR	R 0608	88-121-392-080	0E	RES,3.9K-1/8W J	USM	CX-NDS50
X	FUNC/E.VR	R 0608	88-121-392-080	0E	RES,3.9K-1/8W J	USM	CX-NDS55
X	FUNC/E.VR	R 0609	88-121-472-080	0E	RES,4.7K-1/8W J	USM	CX-NDS50
X	FUNC/E.VR	R 0609	88-121-472-080	0E	RES,4.7K-1/8W J	USM	CX-NDS55
X	FUNC/E.VR	R 0610	88-121-472-080	0E	RES,4.7K-1/8W J	USM	CX-NDS50
X	FUNC/E.VR	R 0610	88-121-472-080	0E	RES,4.7K-1/8W J	USM	CX-NDS55
X	FUNC/E.VR	R 0611	88-108-393-080	0E	C-RES,U 39K-1/16W J	USM	CX-NDS50
X	FUNC/E.VR	R 0611	88-108-393-080	0E	C-RES,U 39K-1/16W J	USM	CX-NDS55
X	FUNC/E.VR	R 0612	88-108-393-080	0E	C-RES,U 39K-1/16W J	USM	CX-NDS50
X	FUNC/E.VR	R 0612	88-108-393-080	0E	C-RES,U 39K-1/16W J	USM	CX-NDS55
X	FUNC/E.VR	R 0615	88-108-153-080	0E	C-RES,U 15K-1/16W J	USM	CX-NDS50
X	FUNC/E.VR	R 0615	88-108-153-080	0E	C-RES,U 15K-1/16W J	USM	CX-NDS55
X	FUNC/E.VR	R 0616	88-108-153-080	0E	C-RES,U 15K-1/16W J	USM	CX-NDS50
X	FUNC/E.VR	R 0616	88-108-153-080	0E	C-RES,U 15K-1/16W J	USM	CX-NDS55
X	FUNC/E.VR	R 0617	88-108-682-080	0E	C-RES,U 6.8K-1/16W J	USM	CX-NDS50
X	FUNC/E.VR	R 0617	88-108-682-080	0E	C-RES,U 6.8K-1/16W J	USM	CX-NDS55
X	FUNC/E.VR	R 0618	88-108-682-080	0E	C-RES,U 6.8K-1/16W J	USM	CX-NDS50
X	FUNC/E.VR	R 0618	88-108-682-080	0E	C-RES,U 6.8K-1/16W J	USM	CX-NDS55
X	FUNC/E.VR	R 0619	88-108-392-080	0E	C-RES,U 3.9K-1/16W J	USM	CX-NDS50
X	FUNC/E.VR	R 0619	88-108-392-080	0E	C-RES,U 3.9K-1/16W J	USM	CX-NDS55
X	FUNC/E.VR	R 0620	88-108-392-080	0E	C-RES,U 3.9K-1/16W J	USM	CX-NDS50
X	FUNC/E.VR	R 0620	88-108-392-080	0E	C-RES,U 3.9K-1/16W J	USM	CX-NDS55
X	FUNC/E.VR	R 0621	88-108-332-080	0E	C-RES,U 3.3K-1/16W J	USM	CX-NDS50
X	FUNC/E.VR	R 0621	88-108-332-080	0E	C-RES,U 3.3K-1/16W J	USM	CX-NDS55
X	FUNC/E.VR	R 0622	88-108-332-080	0E	C-RES,U 3.3K-1/16W J	USM	CX-NDS50
X	FUNC/E.VR	R 0622	88-108-332-080	0E	C-RES,U 3.3K-1/16W J	USM	CX-NDS55
X	FUNC/E.VR	R 0623	88-108-103-080	0E	C-RES,U 10K-1/16W J	USM	CX-NDS50
X	FUNC/E.VR	R 0623	88-108-103-080	0E	C-RES,U 10K-1/16W J	USM	CX-NDS55
X	FUNC/E.VR	R 0624	88-108-103-080	0E	C-RES,U 10K-1/16W J	USM	CX-NDS50
X	FUNC/E.VR	R 0624	88-108-103-080	0E	C-RES,U 10K-1/16W J	USM	CX-NDS55
X	FUNC/E.VR	R 0625	88-108-822-080	0E	C-RES,U 8.2K-1/16W J	USM	CX-NDS50
X	FUNC/E.VR	R 0625	88-108-822-080	0E	C-RES,U 8.2K-1/16W J	USM	CX-NDS55
X	FUNC/E.VR	R 0626	88-108-822-080	0E	C-RES,U 8.2K-1/16W J	USM	CX-NDS50
X	FUNC/E.VR	R 0626	88-108-822-080	0E	C-RES,U 8.2K-1/16W J	USM	CX-NDS55
X	FUNC/E.VR	R 0628	88-108-101-080	0E	C-RES,U 100-1/16W J	USM	CX-NDS50
X	FUNC/E.VR	R 0628	88-108-101-080	0E	C-RES,U 100-1/16W J	USM	CX-NDS55
X	FUNC/E.VR	R 0635	88-108-392-080	0E	C-RES,U 3.9K-1/16W J	USM	CX-NDS50
X	FUNC/E.VR	R 0635	88-108-392-080	0E	C-RES,U 3.9K-1/16W J	USM	CX-NDS55
X	FUNC/E.VR	R 0636	88-108-392-080	0E	C-RES,U 3.9K-1/16W J	USM	CX-NDS50
X	FUNC/E.VR	R 0636	88-108-392-080	0E	C-RES,U 3.9K-1/16W J	USM	CX-NDS55
X	FUNC/E.VR	R 0637	88-108-334-080	0E	C-RES,U 330K-1/16W J	USM	CX-NDS50
X	FUNC/E.VR	R 0637	88-108-334-080	0E	C-RES,U 330K-1/16W J	USM	CX-NDS55
X	FUNC/E.VR	R 0638	88-108-334-080	0E	C-RES,U 330K-1/16W J	USM	CX-NDS50
X	FUNC/E.VR	R 0638	88-108-334-080	0E	C-RES,U 330K-1/16W J	USM	CX-NDS55
X	FUNC/E.VR	R 0639	88-108-682-080	0E	C-RES,U 6.8K-1/16W J	USM	CX-NDS50
X	FUNC/E.VR	R 0639	88-108-682-080	0E	C-RES,U 6.8K-1/16W J	USM	CX-NDS55

PARTS LIST

! = Δ SAFTY PARTS
 C = Components marked

All components used on this model at the production line are shown in this service manual.

However, please note that not all components will be available as spare parts for after-sales service.

Components marked S and O are designated as spare parts for service and will be stocked at the spare parts centers.

Components marked X and R are not designated as spare parts for after sales service, and will not be stocked at the spare parts centers.

K NO. = Only use Japanese.

! C	UNIT NAME	REF NO.	PARTS CODE	K NO.	DESCRIPTION	SUFFIX	MODEL NAME
X	FUNC/E.VR	R 0640	88-108-682-080	0E	C-RES,U 6.8K-1/16W J	USM	CX-NDS50
X	FUNC/E.VR	R 0640	88-108-682-080	0E	C-RES,U 6.8K-1/16W J	USM	CX-NDS55
X	FUNC/E.VR	R 0641	88-108-683-080	0E	C-RES,U 68K-1/16W J	USM	CX-NDS50
X	FUNC/E.VR	R 0641	88-108-683-080	0E	C-RES,U 68K-1/16W J	USM	CX-NDS55
X	FUNC/E.VR	R 0642	88-108-683-080	0E	C-RES,U 68K-1/16W J	USM	CX-NDS50
X	FUNC/E.VR	R 0642	88-108-683-080	0E	C-RES,U 68K-1/16W J	USM	CX-NDS55
X	FUNC/E.VR	R 0643	88-108-273-080	0E	C-RES,U 27K-1/16W J	USM	CX-NDS50
X	FUNC/E.VR	R 0643	88-108-273-080	0E	C-RES,U 27K-1/16W J	USM	CX-NDS55
X	FUNC/E.VR	R 0644	88-108-224-080	0E	C-RES,U 220K-1/16W J	USM	CX-NDS50
X	FUNC/E.VR	R 0644	88-108-224-080	0E	C-RES,U 220K-1/16W J	USM	CX-NDS55
X	FUNC/E.VR	R 0645	88-108-103-080	0E	C-RES,U 10K-1/16W J	USM	CX-NDS50
X	FUNC/E.VR	R 0645	88-108-103-080	0E	C-RES,U 10K-1/16W J	USM	CX-NDS55
X	FUNC/E.VR	R 0646	88-108-223-080	0E	C-RES,U 22K-1/16W J	USM	CX-NDS50
X	FUNC/E.VR	R 0646	88-108-223-080	0E	C-RES,U 22K-1/16W J	USM	CX-NDS55
X	FUNC/E.VR	R 0647	88-108-103-080	0E	C-RES,U 10K-1/16W J	USM	CX-NDS50
X	FUNC/E.VR	R 0647	88-108-103-080	0E	C-RES,U 10K-1/16W J	USM	CX-NDS55
X	FUNC/E.VR	R 0648	88-128-180-080	0E	C-RES, 18-1/8W J	USM	CX-NDS50
X	FUNC/E.VR	R 0648	88-128-180-080	0E	C-RES, 18-1/8W J	USM	CX-NDS55
X	FUNC/E.VR	R 0649	88-128-150-080	0E	C-RES, 15-1/8W J	USM	CX-NDS50
X	FUNC/E.VR	R 0649	88-128-150-080	0E	C-RES, 15-1/8W J	USM	CX-NDS55
X	FUNC/E.VR	R 0650	88-128-180-080	0E	C-RES, 18-1/8W J	USM	CX-NDS50
X	FUNC/E.VR	R 0650	88-128-180-080	0E	C-RES, 18-1/8W J	USM	CX-NDS55
X	FUNC/E.VR	R 0651	88-121-150-080	0E	RES,15-1/8W J	USM	CX-NDS50
X	FUNC/E.VR	R 0651	88-121-150-080	0E	RES,15-1/8W J	USM	CX-NDS55
X	FUNC/E.VR	R 0652	88-128-120-080	0E	C-RES, 12-1/8W J	USM	CX-NDS50
X	FUNC/E.VR	R 0652	88-128-120-080	0E	C-RES, 12-1/8W J	USM	CX-NDS55
X	FUNC/E.VR	R 0653	88-128-150-080	0E	C-RES, 15-1/8W J	USM	CX-NDS50
X	FUNC/E.VR	R 0653	88-128-150-080	0E	C-RES, 15-1/8W J	USM	CX-NDS55
X	FUNC/E.VR	R 0654	88-128-150-080	0E	C-RES, 15-1/8W J	USM	CX-NDS50
X	FUNC/E.VR	R 0654	88-128-150-080	0E	C-RES, 15-1/8W J	USM	CX-NDS55
X	FUNC/E.VR	R 0655	88-121-120-080	0E	RES,12-1/8W J	USM	CX-NDS50
X	FUNC/E.VR	R 0655	88-121-120-080	0E	RES,12-1/8W J	USM	CX-NDS55
X	FUNC/E.VR	R 0657	88-128-150-080	0E	C-RES, 15-1/8W J	USM	CX-NDS50
X	FUNC/E.VR	R 0657	88-128-150-080	0E	C-RES, 15-1/8W J	USM	CX-NDS55
X	FUNC/E.VR	R 0658	88-128-120-080	0E	C-RES, 12-1/8W J	USM	CX-NDS50
X	FUNC/E.VR	R 0658	88-128-120-080	0E	C-RES, 12-1/8W J	USM	CX-NDS55
X	FUNC/E.VR	R 0659	88-118-271-080	0E	C-RES,S 270-1/10W J	USM	CX-NDS50
X	FUNC/E.VR	R 0659	88-118-271-080	0E	C-RES,S 270-1/10W J	USM	CX-NDS55
X	FUNC/E.VR	R 0660	88-108-104-080	0E	C-RES,U 100K-1/16W J	USM	CX-NDS50
X	FUNC/E.VR	R 0660	88-108-104-080	0E	C-RES,U 100K-1/16W J	USM	CX-NDS55
X	FUNC/E.VR	R 0681	88-108-183-080	0E	C-RES,U 18K-1/16W J	USM	CX-NDS50
X	FUNC/E.VR	R 0681	88-108-183-080	0E	C-RES,U 18K-1/16W J	USM	CX-NDS55
X	FUNC/E.VR	R 0682	88-108-183-080	0E	C-RES,U 18K-1/16W J	USM	CX-NDS50
X	FUNC/E.VR	R 0682	88-108-183-080	0E	C-RES,U 18K-1/16W J	USM	CX-NDS55
X	FUNC/E.VR	R 0683	88-108-103-080	0E	C-RES,U 10K-1/16W J	USM	CX-NDS50
X	FUNC/E.VR	R 0683	88-108-103-080	0E	C-RES,U 10K-1/16W J	USM	CX-NDS55
X	FUNC/E.VR	R 0684	88-108-103-080	0E	C-RES,U 10K-1/16W J	USM	CX-NDS50
X	FUNC/E.VR	R 0684	88-108-103-080	0E	C-RES,U 10K-1/16W J	USM	CX-NDS55
X	FUNC/E.VR	R 0685	88-108-184-080	0E	C-RES,U 180K-1/16W J	USM	CX-NDS50
X	FUNC/E.VR	R 0685	88-108-184-080	0E	C-RES,U 180K-1/16W J	USM	CX-NDS55
X	FUNC/E.VR	R 0687	88-100-000-010	0E	PLATING-JW, 0.58 SN95	USM	CX-NDS50
X	FUNC/E.VR	R 0687	88-100-000-010	0E	PLATING-JW, 0.58 SN95	USM	CX-NDS55
X	FUNC/E.VR	R 0688	88-100-000-010	0E	PLATING-JW, 0.58 SN95	USM	CX-NDS50
X	FUNC/E.VR	R 0688	88-100-000-010	0E	PLATING-JW, 0.58 SN95	USM	CX-NDS55
X	FUNC/E.VR	R 0689	88-100-000-010	0E	PLATING-JW, 0.58 SN95	USM	CX-NDS50
X	FUNC/E.VR	R 0689	88-100-000-010	0E	PLATING-JW, 0.58 SN95	USM	CX-NDS55
X	FUNC/E.VR	R 0690	88-100-000-010	0E	PLATING-JW, 0.58 SN95	USM	CX-NDS50
X	FUNC/E.VR	R 0690	88-100-000-010	0E	PLATING-JW, 0.58 SN95	USM	CX-NDS55
X	FUNC/E.VR	R 0691	88-121-183-080	0E	RES,18K-1/8W J	USM	CX-NDS50
X	FUNC/E.VR	R 0691	88-121-183-080	0E	RES,18K-1/8W J	USM	CX-NDS55
X	FUNC/E.VR	R 0692	88-100-000-010	0E	PLATING-JW, 0.58 SN95	USM	CX-NDS50
X	FUNC/E.VR	R 0692	88-100-000-010	0E	PLATING-JW, 0.58 SN95	USM	CX-NDS55
X	FUNC/E.VR	R 0693	88-108-153-080	0E	C-RES,U 15K-1/16W J	USM	CX-NDS50
X	FUNC/E.VR	R 0693	88-108-153-080	0E	C-RES,U 15K-1/16W J	USM	CX-NDS55
X	FUNC/E.VR	R 0694	88-108-153-080	0E	C-RES,U 15K-1/16W J	USM	CX-NDS50
X	FUNC/E.VR	R 0694	88-108-153-080	0E	C-RES,U 15K-1/16W J	USM	CX-NDS55
X	FUNC/E.VR	R 0695	88-108-153-080	0E	C-RES,U 15K-1/16W J	USM	CX-NDS50
X	FUNC/E.VR	R 0695	88-108-153-080	0E	C-RES,U 15K-1/16W J	USM	CX-NDS55
X	FUNC/E.VR	R 0696	88-108-153-080	0E	C-RES,U 15K-1/16W J	USM	CX-NDS50
X	FUNC/E.VR	R 0696	88-108-153-080	0E	C-RES,U 15K-1/16W J	USM	CX-NDS55

PARTS LIST

! = Δ SAFTY PARTS
 C = Components marked

All components used on this model at the production line are shown in this service manual.

However, please note that not all components will be available as spare parts for after-sales service.

Components marked S and O are designated as spare parts for service and will be stocked at the spare parts centers.

Components marked X and R are not designated as spare parts for after sales service, and will not be stocked at the spare parts centers.

K NO. = Only use japanese.

! C	UNIT NAME	REF NO.	PARTS CODE	K NO.	DESCRIPTION	SUFFIX	MODEL NAME
X	FUNC/E.VR	R 0697	88-108-153-080	0E	C-RES,U 15K-1/16W J	USM	CX-NDS50
X	FUNC/E.VR	R 0697	88-108-153-080	0E	C-RES,U 15K-1/16W J	USM	CX-NDS55
X	FUNC/E.VR	R 0698	88-108-153-080	0E	C-RES,U 15K-1/16W J	USM	CX-NDS50
X	FUNC/E.VR	R 0698	88-108-153-080	0E	C-RES,U 15K-1/16W J	USM	CX-NDS55
X	FUNC/E.VR	R 0699	88-108-103-080	0E	C-RES,U 10K-1/16W J	USM	CX-NDS50
X	FUNC/E.VR	R 0699	88-108-103-080	0E	C-RES,U 10K-1/16W J	USM	CX-NDS55
X	FUNC/E.VR	R 0700	88-108-103-080	0E	C-RES,U 10K-1/16W J	USM	CX-NDS50
X	FUNC/E.VR	R 0700	88-108-103-080	0E	C-RES,U 10K-1/16W J	USM	CX-NDS55
X	FUNC/E.VR	R 0701	88-108-101-080	0E	C-RES,U 100-1/16W J	USM	CX-NDS50
X	FUNC/E.VR	R 0701	88-108-101-080	0E	C-RES,U 100-1/16W J	USM	CX-NDS55
X	FUNC/E.VR	R 0702	88-108-101-080	0E	C-RES,U 100-1/16W J	USM	CX-NDS50
X	FUNC/E.VR	R 0702	88-108-101-080	0E	C-RES,U 100-1/16W J	USM	CX-NDS55
X	FUNC/E.VR	W 0601	89-952-093-410	0E	WIRE,U24H2-9-5	USM	CX-NDS50
X	FUNC/E.VR	W 0601	89-952-093-410	0E	WIRE,U24H2-9-5	USM	CX-NDS55
X	FUNC/E.VR	W 0602	89-951-103-410	0E	WIRE,U24H1-10-5	USM	CX-NDS50
X	FUNC/E.VR	W 0602	89-951-103-410	0E	WIRE,U24H1-10-5	USM	CX-NDS55
X	FUNC/E.VR	W 0603	89-956-163-410	0E	WIRE,U24H6-16-5	USM	CX-NDS50
X	FUNC/E.VR	W 0603	89-956-163-410	0E	WIRE,U24H6-16-5	USM	CX-NDS55
O	KNOB		8B-NCK-006-010	1B	KEY,ASSY FUNCTION DD	USM	CX-NDS50
O	KNOB		8B-NCK-006-010	1B	KEY,ASSY FUNCTION DD	USM	CX-NDS55
X	KNOB		8B-NCK-007-010	--	CAP, FUNCTION DD	USM	CX-NDS50
X	KNOB		8B-NCK-007-010	--	CAP, FUNCTION DD	USM	CX-NDS55
O	KNOB		8B-NCK-021-010	0E	KEY,DOLBY	USM	CX-NDS50
O	KNOB		8B-NCK-021-010	0E	KEY,DOLBY	USM	CX-NDS55
O	KNOB		8B-NFK-014-010	0E	KNOB,RTRY VOL	USM	CX-NDS50
O	KNOB		8B-NFK-014-010	0E	KNOB,RTRY VOL	USM	CX-NDS55
O	KNOB		8B-NFK-015-010	0E	KNOB,RTRY JOG	USM	CX-NDS50
O	KNOB		8B-NFK-015-010	0E	KNOB,RTRY JOG	USM	CX-NDS55
O	KNOB		8B-NFK-016-010	0E	KEY,POWER	USM	CX-NDS50
O	KNOB		8B-NFK-016-010	0E	KEY,POWER	USM	CX-NDS55
O	KNOB		8B-NFK-018-010	1A	KEY,PLAY 1WAY	USM	CX-NDS50
O	KNOB		8B-NFK-018-010	1A	KEY,PLAY 1WAY	USM	CX-NDS55
X	KNOB		8B-NFK-022-010	--	KEY,FUNCTION	USM	CX-NDS50
X	KNOB		8B-NFK-022-010	--	KEY,FUNCTION	USM	CX-NDS55
X	KNOB		8B-NFK-023-010	--	SH,FUNCTION	USM	CX-NDS50
X	KNOB		8B-NFK-023-010	--	SH,FUNCTION	USM	CX-NDS55
O	KNOB		8B-NFK-024-010	1A	KEY,CD	USM	CX-NDS50
O	KNOB		8B-NFK-024-010	1A	KEY,CD	USM	CX-NDS55
X	KNOB		8B-NFK-026-010	0E	KEY,ENTER	USM	CX-NDS50
X	KNOB		8B-NFK-026-010	0E	KEY,ENTER	USM	CX-NDS55
O	KNOB		8B-NFK-027-010	0E	REFLECTOR,ECO	USM	CX-NDS50
O	KNOB		8B-NFK-027-010	0E	REFLECTOR,ECO	USM	CX-NDS55
O	KNOB		8B-NFK-029-010	0E	LENS,SENSOR	USM	CX-NDS50
O	KNOB		8B-NFK-029-010	0E	LENS,SENSOR	USM	CX-NDS55
X	LBL,POP		87-B40-034-010	1B	LBL,USA 1-800	USM	CX-NDS50
X	LBL,POP		87-B40-034-010	1B	LBL,USA 1-800	USM	CX-NDS55
X	LBL,POP		8B-NCK-972-010	0E	LBL,POP 55UL	USM	CX-NDS50
X	LBL,POP		8B-NCK-973-010	0E	LBL,POP 55UR	USM	CX-NDS55
O	MECHANICAL		8B-NF7-238-010	1A	HLD, FAN LOW	USM	CX-NDS50
O	MECHANICAL		8B-NF7-238-010	1A	HLD, FAN LOW	USM	CX-NDS55
X	MECHANICAL		8B-NFK-239-010	1D	CHAS,MAIN BS 76-60 SLANT FAN	USM	CX-NDS50
X	MECHANICAL		8B-NFK-239-010	1D	CHAS,MAIN BS 76-60 SLANT FAN	USM	CX-NDS55
X	MICON	*	8B-NCK-620-010	1C	PWB,FRONT BNC-19	USM	CX-NDS50
X	MICON	*	8B-NCK-620-010	1C	PWB,FRONT BNC-19	USM	CX-NDS55
O	MICON	C 0108	87-010-785-080	0E	C-CAP,U 0.015-25 K B GRM	USM	CX-NDS50
O	MICON	C 0108	87-010-785-080	0E	C-CAP,U 0.015-25 K B GRM	USM	CX-NDS55
O	MICON	C 0153	87-010-787-080	0E	C-CAP,U 0.022-25 K B	USM	CX-NDS50
O	MICON	C 0153	87-010-787-080	0E	C-CAP,U 0.022-25 K B	USM	CX-NDS55
O	MICON	C 0154	87-A12-078-040	0E	CAP,E 47-35 SMG	USM	CX-NDS50
O	MICON	C 0154	87-A12-078-040	0E	CAP,E 47-35 SMG	USM	CX-NDS55
O	MICON	C 0155	87-010-404-040	0E	CAP,E 4.7-50 M 11L SME	USM	CX-NDS50
O	MICON	C 0155	87-010-404-040	0E	CAP,E 4.7-50 M 11L SME	USM	CX-NDS55
O	MICON	C 0156	87-010-404-040	0E	CAP,E 4.7-50 M 11L SME	USM	CX-NDS50
O	MICON	C 0156	87-010-404-040	0E	CAP,E 4.7-50 M 11L SME	USM	CX-NDS55
O	MICON	C 0301	87-012-278-080	0E	C-CAP,U 2200P-50 K B	USM	CX-NDS50
O	MICON	C 0301	87-012-278-080	0E	C-CAP,U 2200P-50 K B	USM	CX-NDS55
O	MICON	C 0351	87-A10-201-080	0E	C-CAP,S 0.33-16 K B	USM	CX-NDS50
O	MICON	C 0351	87-A10-201-080	0E	C-CAP,S 0.33-16 K B	USM	CX-NDS55
O	MICON	C 0361	87-012-274-080	0E	C-CAP,U 1000P-50 K B	USM	CX-NDS50
O	MICON	C 0361	87-012-274-080	0E	C-CAP,U 1000P-50 K B	USM	CX-NDS55

PARTS LIST

! = Δ SAFTY PARTS
 C = Components marked

All components used on this model at the production line are shown in this service manual.

However, please note that not all components will be available as spare parts for after-sales service.

Components marked S and O are designated as spare parts for service and will be stocked at the spare parts centers.

Components marked X and R are not designated as spare parts for after sales service, and will not be stocked at the spare parts centers.

K NO. = Only use Japanese.

! C	UNIT NAME	REF NO.	PARTS CODE	K NO.	DESCRIPTION	SUFFIX	MODEL NAME
O	MICON	C 0362	87-012-274-080	0E	C-CAP,U 1000P-50 K B	USM	CX-NDS50
O	MICON	C 0362	87-012-274-080	0E	C-CAP,U 1000P-50 K B	USM	CX-NDS55
O	MICON	C 0371	87-012-274-080	0E	C-CAP,U 1000P-50 K B	USM	CX-NDS50
O	MICON	C 0371	87-012-274-080	0E	C-CAP,U 1000P-50 K B	USM	CX-NDS55
O	MICON	C 0372	87-012-274-080	0E	C-CAP,U 1000P-50 K B	USM	CX-NDS50
O	MICON	C 0372	87-012-274-080	0E	C-CAP,U 1000P-50 K B	USM	CX-NDS55
O	MICON	C 0501	87-012-195-080	0E	C-CAP,U 100P-50 J CH	USM	CX-NDS50
O	MICON	C 0501	87-012-195-080	0E	C-CAP,U 100P-50 J CH	USM	CX-NDS55
O	MICON	C 0502	87-012-195-080	0E	C-CAP,U 100P-50 J CH	USM	CX-NDS50
O	MICON	C 0502	87-012-195-080	0E	C-CAP,U 100P-50 J CH	USM	CX-NDS55
O	MICON	C 0503	87-012-195-080	0E	C-CAP,U 100P-50 J CH	USM	CX-NDS50
O	MICON	C 0503	87-012-195-080	0E	C-CAP,U 100P-50 J CH	USM	CX-NDS55
O	MICON	C 0504	87-010-759-080	0E	C-CAP,U 0.1-25 Z F	USM	CX-NDS50
O	MICON	C 0504	87-010-759-080	0E	C-CAP,U 0.1-25 Z F	USM	CX-NDS55
O	MICON	C 0601	87-010-382-040	0E	CAP,E 22-25 M 11L SME	USM	CX-NDS50
O	MICON	C 0601	87-010-382-040	0E	CAP,E 22-25 M 11L SME	USM	CX-NDS55
O	MICON	C 0801	87-A10-804-080	0E	C-CAP,S 0.1-25 J B	USM	CX-NDS50
O	MICON	C 0801	87-A10-804-080	0E	C-CAP,S 0.1-25 J B	USM	CX-NDS55
O	MICON	C 0802	87-010-316-080	0E	C-CAP,S 33P-50 J CH GRM	USM	CX-NDS50
O	MICON	C 0802	87-010-316-080	0E	C-CAP,S 33P-50 J CH GRM	USM	CX-NDS55
O	MICON	C 0803	87-012-280-080	0E	C-CAP,U 3300P-50 K B	USM	CX-NDS50
O	MICON	C 0803	87-012-280-080	0E	C-CAP,U 3300P-50 K B	USM	CX-NDS55
O	MICON	C 0804	87-A10-592-080	0E	C-CAP,S 0.015-50 J B	USM	CX-NDS50
O	MICON	C 0804	87-A10-592-080	0E	C-CAP,S 0.015-50 J B	USM	CX-NDS55
O	MICON	C 0805	87-012-184-080	0E	C-CAP,U 33P-50 J CH	USM	CX-NDS50
O	MICON	C 0805	87-012-184-080	0E	C-CAP,U 33P-50 J CH	USM	CX-NDS55
O	MICON	C 0806	87-012-274-080	0E	C-CAP,U 1000P-50 K B	USM	CX-NDS50
O	MICON	C 0806	87-012-274-080	0E	C-CAP,U 1000P-50 K B	USM	CX-NDS55
O	MICON	C 0807	87-012-274-080	0E	C-CAP,U 1000P-50 K B	USM	CX-NDS50
O	MICON	C 0807	87-012-274-080	0E	C-CAP,U 1000P-50 K B	USM	CX-NDS55
O	MICON	C 0808	87-010-544-040	0E	CAP,E 0.1-50 M 11L SME	USM	CX-NDS50
O	MICON	C 0808	87-010-544-040	0E	CAP,E 0.1-50 M 11L SME	USM	CX-NDS55
O	MICON	C 0809	87-010-404-040	0E	CAP,E 4.7-50 M 11L SME	USM	CX-NDS50
O	MICON	C 0809	87-010-404-040	0E	CAP,E 4.7-50 M 11L SME	USM	CX-NDS55
O	MICON	C 0810	87-016-114-080	0E	C-CAP,U 0.01-25 J B GRM	USM	CX-NDS50
O	MICON	C 0810	87-016-114-080	0E	C-CAP,U 0.01-25 J B GRM	USM	CX-NDS55
O	MICON	C 0811	87-A12-052-080	0E	C-CAP,S 0.033-25 J B	USM	CX-NDS50
O	MICON	C 0811	87-A12-052-080	0E	C-CAP,S 0.033-25 J B	USM	CX-NDS55
O	MICON	C 0901	87-012-195-080	0E	C-CAP,U 100P-50 J CH	USM	CX-NDS50
O	MICON	C 0901	87-012-195-080	0E	C-CAP,U 100P-50 J CH	USM	CX-NDS55
O	MICON	C 0902	87-012-195-080	0E	C-CAP,U 100P-50 J CH	USM	CX-NDS50
O	MICON	C 0902	87-012-195-080	0E	C-CAP,U 100P-50 J CH	USM	CX-NDS55
O	MICON	C 0903	87-012-195-080	0E	C-CAP,U 100P-50 J CH	USM	CX-NDS50
O	MICON	C 0903	87-012-195-080	0E	C-CAP,U 100P-50 J CH	USM	CX-NDS55
O	MICON	C 0904	87-012-195-080	0E	C-CAP,U 100P-50 J CH	USM	CX-NDS50
O	MICON	C 0904	87-012-195-080	0E	C-CAP,U 100P-50 J CH	USM	CX-NDS55
O	MICON	C 0905	87-012-195-080	0E	C-CAP,U 100P-50 J CH	USM	CX-NDS50
O	MICON	C 0905	87-012-195-080	0E	C-CAP,U 100P-50 J CH	USM	CX-NDS55
O	MICON	C 0906	87-012-195-080	0E	C-CAP,U 100P-50 J CH	USM	CX-NDS50
O	MICON	C 0906	87-012-195-080	0E	C-CAP,U 100P-50 J CH	USM	CX-NDS55
O	MICON	C 0907	87-012-195-080	0E	C-CAP,U 100P-50 J CH	USM	CX-NDS50
O	MICON	C 0907	87-012-195-080	0E	C-CAP,U 100P-50 J CH	USM	CX-NDS55
O	MICON	C 0908	87-012-195-080	0E	C-CAP,U 100P-50 J CH	USM	CX-NDS50
O	MICON	C 0908	87-012-195-080	0E	C-CAP,U 100P-50 J CH	USM	CX-NDS55
O	MICON	C 0909	87-012-195-080	0E	C-CAP,U 100P-50 J CH	USM	CX-NDS50
O	MICON	C 0909	87-012-195-080	0E	C-CAP,U 100P-50 J CH	USM	CX-NDS55
O	MICON	C 0910	87-012-195-080	0E	C-CAP,U 100P-50 J CH	USM	CX-NDS50
O	MICON	C 0910	87-012-195-080	0E	C-CAP,U 100P-50 J CH	USM	CX-NDS55
O	MICON	C 0911	87-012-274-080	0E	C-CAP,U 1000P-50 K B	USM	CX-NDS50
O	MICON	C 0911	87-012-274-080	0E	C-CAP,U 1000P-50 K B	USM	CX-NDS55
O	MICON	C 0912	87-010-759-080	0E	C-CAP,U 0.1-25 Z F	USM	CX-NDS50
O	MICON	C 0912	87-010-759-080	0E	C-CAP,U 0.1-25 Z F	USM	CX-NDS55
O	MICON	C 0913	87-A11-242-040	0E	CAP,E 220-10 M 5L SRM	USM	CX-NDS50
O	MICON	C 0913	87-A11-242-040	0E	CAP,E 220-10 M 5L SRM	USM	CX-NDS55
O	MICON	C 0914	87-A11-242-040	0E	CAP,E 220-10 M 5L SRM	USM	CX-NDS50
O	MICON	C 0914	87-A11-242-040	0E	CAP,E 220-10 M 5L SRM	USM	CX-NDS55
O	MICON	C 0915	87-010-759-080	0E	C-CAP,U 0.1-25 Z F	USM	CX-NDS50
O	MICON	C 0915	87-010-759-080	0E	C-CAP,U 0.1-25 Z F	USM	CX-NDS55
O	MICON	C 0916	87-010-759-080	0E	C-CAP,U 0.1-25 Z F	USM	CX-NDS50
O	MICON	C 0916	87-010-759-080	0E	C-CAP,U 0.1-25 Z F	USM	CX-NDS55

PARTS LIST

! = Δ SAFTY PARTS
 C = Components marked

All components used on this model at the production line are shown in this service manual.

However, please note that not all components will be available as spare parts for after-sales service.

Components marked S and O are designated as spare parts for service and will be stocked at the spare parts centers.

Components marked X and R are not designated as spare parts for after sales service, and will not be stocked at the spare parts centers.

K NO. = Only use Japanese.

! C	UNIT NAME	REF NO.	PARTS CODE	K NO.	DESCRIPTION	SUFFIX	MODEL NAME
O	MICON	C 0917	87-010-759-080	0E	C-CAP,U 0.1-25 Z F	USM	CX-NDS50
O	MICON	C 0917	87-010-759-080	0E	C-CAP,U 0.1-25 Z F	USM	CX-NDS55
O	MICON	C 0919	87-012-286-080	0E	C-CAP,U 0.01-25 K B	USM	CX-NDS50
O	MICON	C 0919	87-012-286-080	0E	C-CAP,U 0.01-25 K B	USM	CX-NDS55
O	MICON	C 0920	87-010-757-080	0E	C-CAP,U 0.047-25 Z F	USM	CX-NDS50
O	MICON	C 0920	87-010-757-080	0E	C-CAP,U 0.047-25 Z F	USM	CX-NDS55
O	MICON	C 0921	87-012-282-080	0E	C-CAP,U 4700P-50 K B	USM	CX-NDS50
O	MICON	C 0921	87-012-282-080	0E	C-CAP,U 4700P-50 K B	USM	CX-NDS55
O	MICON	C 0951	87-012-176-080	0E	C-CAP,U 15P-50 J CH	USM	CX-NDS50
O	MICON	C 0951	87-012-176-080	0E	C-CAP,U 15P-50 J CH	USM	CX-NDS55
O	MICON	C 0952	87-012-198-080	0E	C-CAP,U 180P-50 J CH	USM	CX-NDS50
O	MICON	C 0952	87-012-198-080	0E	C-CAP,U 180P-50 J CH	USM	CX-NDS55
O	MICON	C 0953	87-A10-039-080	0E	C-CAP,U 470P-50 J CH	USM	CX-NDS50
O	MICON	C 0953	87-A10-039-080	0E	C-CAP,U 470P-50 J CH	USM	CX-NDS55
O	MICON	C 0961	87-010-378-040	0E	CAP,E 10-16 M 11L SME	USM	CX-NDS50
O	MICON	C 0961	87-010-378-040	0E	CAP,E 10-16 M 11L SME	USM	CX-NDS55
O	MICON	C 0962	87-012-157-080	0E	C-CAP,S 330P-50 J CH GRM	USM	CX-NDS50
O	MICON	C 0962	87-012-157-080	0E	C-CAP,S 330P-50 J CH GRM	USM	CX-NDS55
O	MICON	C 0963	87-010-759-080	0E	C-CAP,U 0.1-25 Z F	USM	CX-NDS50
O	MICON	C 0963	87-010-759-080	0E	C-CAP,U 0.1-25 Z F	USM	CX-NDS55
!	O MICON	CN 0104	87-A60-057-010	0E	CONN,11P V 9604S-11C	USM	CX-NDS50
!	O MICON	CN 0104	87-A60-057-010	0E	CONN,11P V 9604S-11C	USM	CX-NDS55
!	O MICON	CN 0701	87-099-720-010	1B	CONN,30P BLK TYK-B(P)	USM	CX-NDS50
!	O MICON	CN 0701	87-099-720-010	1B	CONN,30P BLK TYK-B(P)	USM	CX-NDS55
!	O MICON	CN 0731	87-099-196-010	0E	CONN,8P V BLK 6216	USM	CX-NDS50
!	O MICON	CN 0731	87-099-196-010	0E	CONN,8P V BLK 6216	USM	CX-NDS55
!	O MICON	CN 0732	87-099-014-010	0E	CONN,12P V BLK 6216	USM	CX-NDS50
!	O MICON	CN 0732	87-099-014-010	0E	CONN,12P V BLK 6216	USM	CX-NDS55
S	MICON	D 0104	87-A40-291-080	0E	DIODE,1N4148M (CPT)	USM	CX-NDS50
S	MICON	D 0104	87-A40-291-080	0E	DIODE,1N4148M (CPT)	USM	CX-NDS55
S	MICON	D 0301	87-A40-748-080	0E	ZENER,UZ5.6BSA	USM	CX-NDS50
S	MICON	D 0301	87-A40-748-080	0E	ZENER,UZ5.6BSA	USM	CX-NDS55
S	MICON	D 0302	87-A40-291-080	0E	DIODE,1N4148M (CPT)	USM	CX-NDS50
S	MICON	D 0302	87-A40-291-080	0E	DIODE,1N4148M (CPT)	USM	CX-NDS55
S	MICON	D 0601	87-A40-269-080	0E	C-DIODE,MC2836	USM	CX-NDS50
S	MICON	D 0601	87-A40-269-080	0E	C-DIODE,MC2836	USM	CX-NDS55
S	MICON	D 0651	87-A40-269-080	0E	C-DIODE,MC2836	USM	CX-NDS50
S	MICON	D 0651	87-A40-269-080	0E	C-DIODE,MC2836	USM	CX-NDS55
S	MICON	D 0652	87-A40-269-080	0E	C-DIODE,MC2836	USM	CX-NDS50
S	MICON	D 0652	87-A40-269-080	0E	C-DIODE,MC2836	USM	CX-NDS55
S	MICON	D 0653	87-A40-269-080	0E	C-DIODE,MC2836	USM	CX-NDS50
S	MICON	D 0653	87-A40-269-080	0E	C-DIODE,MC2836	USM	CX-NDS55
S	MICON	D 0654	87-A40-269-080	0E	C-DIODE,MC2836	USM	CX-NDS50
S	MICON	D 0654	87-A40-269-080	0E	C-DIODE,MC2836	USM	CX-NDS55
S	MICON	D 0655	87-A40-269-080	0E	C-DIODE,MC2836	USM	CX-NDS50
S	MICON	D 0655	87-A40-269-080	0E	C-DIODE,MC2836	USM	CX-NDS55
S	MICON	D 0656	87-A40-269-080	0E	C-DIODE,MC2836	USM	CX-NDS50
S	MICON	D 0656	87-A40-269-080	0E	C-DIODE,MC2836	USM	CX-NDS55
S	MICON	D 0658	87-A40-269-080	0E	C-DIODE,MC2836	USM	CX-NDS50
S	MICON	D 0658	87-A40-269-080	0E	C-DIODE,MC2836	USM	CX-NDS55
X	MICON	D 0702	88-100-000-010	0E	PLATING-JW, 0.58 SN95	USM	CX-NDS50
X	MICON	D 0702	88-100-000-010	0E	PLATING-JW, 0.58 SN95	USM	CX-NDS55
X	MICON	D 0703	88-100-000-010	0E	PLATING-JW, 0.58 SN95	USM	CX-NDS50
X	MICON	D 0703	88-100-000-010	0E	PLATING-JW, 0.58 SN95	USM	CX-NDS55
S	MICON	D 0801	87-A40-291-080	0E	DIODE,1N4148M (CPT)	USM	CX-NDS50
S	MICON	D 0801	87-A40-291-080	0E	DIODE,1N4148M (CPT)	USM	CX-NDS55
S	MICON	D 0981	87-A40-291-080	0E	DIODE,1N4148M (CPT)	USM	CX-NDS50
S	MICON	D 0981	87-A40-291-080	0E	DIODE,1N4148M (CPT)	USM	CX-NDS55
O	MICON	FL 0901	8B-NCK-605-010	2M	FL,HNA-08MM29	USM	CX-NDS50
O	MICON	FL 0901	8B-NCK-605-010	2M	FL,HNA-08MM29	USM	CX-NDS55
S	MICON	IC 0501	87-070-289-040	1B	C-IC,BU2092F	USM	CX-NDS50
S	MICON	IC 0501	87-070-289-040	1B	C-IC,BU2092F	USM	CX-NDS55
S	MICON	IC 0901	8B-NCK-601-030	2M	C-IC,UPD784975AGF-102-3BA	USM	CX-NDS50
S	MICON	IC 0901	8B-NCK-601-030	2M	C-IC,UPD784975AGF-102-3BA	USM	CX-NDS55
S	MICON	IC 0961	87-A21-831-010	1B	IC,SPS-442-1-F1	USM	CX-NDS50
S	MICON	IC 0961	87-A21-831-010	1B	IC,SPS-442-1-F1	USM	CX-NDS55
X	MICON	JR 0101	88-108-000-080	0E	C-JUMPER,U	USM	CX-NDS50
X	MICON	JR 0101	88-108-000-080	0E	C-JUMPER,U	USM	CX-NDS55
X	MICON	JR 0152	88-108-000-080	0E	C-JUMPER,U	USM	CX-NDS50
X	MICON	JR 0152	88-108-000-080	0E	C-JUMPER,U	USM	CX-NDS55

PARTS LIST

! = Δ SAFTY PARTS
 C = Components marked

All components used on this model at the production line are shown in this service manual.

However, please note that not all components will be available as spare parts for after-sales service.

Components marked S and O are designated as spare parts for service and will be stocked at the spare parts centers.

Components marked X and R are not designated as spare parts for after sales service, and will not be stocked at the spare parts centers.

K NO. = Only use Japanese.

! C	UNIT NAME	REF NO.	PARTS CODE	K NO.	DESCRIPTION	SUFFIX	MODEL NAME
X	MICON	JR 0201	88-108-000-080	0E	C-JUMPER,U	USM	CX-NDS50
X	MICON	JR 0201	88-108-000-080	0E	C-JUMPER,U	USM	CX-NDS55
X	MICON	JR 0501	88-108-000-080	0E	C-JUMPER,U	USM	CX-NDS50
X	MICON	JR 0501	88-108-000-080	0E	C-JUMPER,U	USM	CX-NDS55
X	MICON	JR 0601	88-108-000-080	0E	C-JUMPER,U	USM	CX-NDS50
X	MICON	JR 0601	88-108-000-080	0E	C-JUMPER,U	USM	CX-NDS55
X	MICON	JR 0603	88-108-000-080	0E	C-JUMPER,U	USM	CX-NDS50
X	MICON	JR 0603	88-108-000-080	0E	C-JUMPER,U	USM	CX-NDS55
X	MICON	JR 0605	88-108-000-080	0E	C-JUMPER,U	USM	CX-NDS50
X	MICON	JR 0605	88-108-000-080	0E	C-JUMPER,U	USM	CX-NDS55
X	MICON	JR 0607	88-108-000-080	0E	C-JUMPER,U	USM	CX-NDS50
X	MICON	JR 0607	88-108-000-080	0E	C-JUMPER,U	USM	CX-NDS55
X	MICON	JR 0609	88-108-000-080	0E	C-JUMPER,U	USM	CX-NDS50
X	MICON	JR 0609	88-108-000-080	0E	C-JUMPER,U	USM	CX-NDS55
X	MICON	JR 0612	88-108-000-080	0E	C-JUMPER,U	USM	CX-NDS50
X	MICON	JR 0612	88-108-000-080	0E	C-JUMPER,U	USM	CX-NDS55
X	MICON	JR 0616	88-108-000-080	0E	C-JUMPER,U	USM	CX-NDS50
X	MICON	JR 0616	88-108-000-080	0E	C-JUMPER,U	USM	CX-NDS55
X	MICON	JR 0617	88-108-000-080	0E	C-JUMPER,U	USM	CX-NDS50
X	MICON	JR 0617	88-108-000-080	0E	C-JUMPER,U	USM	CX-NDS55
X	MICON	JR 0618	88-108-000-080	0E	C-JUMPER,U	USM	CX-NDS50
X	MICON	JR 0618	88-108-000-080	0E	C-JUMPER,U	USM	CX-NDS55
X	MICON	JR 0619	88-108-000-080	0E	C-JUMPER,U	USM	CX-NDS50
X	MICON	JR 0619	88-108-000-080	0E	C-JUMPER,U	USM	CX-NDS55
X	MICON	JR 0701	88-108-000-080	0E	C-JUMPER,U	USM	CX-NDS50
X	MICON	JR 0701	88-108-000-080	0E	C-JUMPER,U	USM	CX-NDS55
X	MICON	JR 0702	88-108-000-080	0E	C-JUMPER,U	USM	CX-NDS50
X	MICON	JR 0702	88-108-000-080	0E	C-JUMPER,U	USM	CX-NDS55
X	MICON	JR 0703	88-108-000-080	0E	C-JUMPER,U	USM	CX-NDS50
X	MICON	JR 0703	88-108-000-080	0E	C-JUMPER,U	USM	CX-NDS55
X	MICON	JR 0704	88-108-000-080	0E	C-JUMPER,U	USM	CX-NDS50
X	MICON	JR 0704	88-108-000-080	0E	C-JUMPER,U	USM	CX-NDS55
X	MICON	JR 0901	88-108-000-080	0E	C-JUMPER,U	USM	CX-NDS50
X	MICON	JR 0901	88-108-000-080	0E	C-JUMPER,U	USM	CX-NDS55
X	MICON	JR 0902	88-108-000-080	0E	C-JUMPER,U	USM	CX-NDS50
X	MICON	JR 0902	88-108-000-080	0E	C-JUMPER,U	USM	CX-NDS55
X	MICON	JR 0903	88-108-000-080	0E	C-JUMPER,U	USM	CX-NDS50
X	MICON	JR 0903	88-108-000-080	0E	C-JUMPER,U	USM	CX-NDS55
X	MICON	JR 0904	88-108-000-080	0E	C-JUMPER,U	USM	CX-NDS50
X	MICON	JR 0904	88-108-000-080	0E	C-JUMPER,U	USM	CX-NDS55
X	MICON	JR 0905	88-108-000-080	0E	C-JUMPER,U	USM	CX-NDS50
X	MICON	JR 0905	88-108-000-080	0E	C-JUMPER,U	USM	CX-NDS55
X	MICON	JR 0906	88-108-000-080	0E	C-JUMPER,U	USM	CX-NDS50
X	MICON	JR 0906	88-108-000-080	0E	C-JUMPER,U	USM	CX-NDS55
X	MICON	JR 0907	88-129-000-080	0E	C-JUMPER, 3216	USM	CX-NDS50
X	MICON	JR 0907	88-129-000-080	0E	C-JUMPER, 3216	USM	CX-NDS55
X	MICON	JR 0908	88-108-000-080	0E	C-JUMPER,U	USM	CX-NDS50
X	MICON	JR 0908	88-108-000-080	0E	C-JUMPER,U	USM	CX-NDS55
X	MICON	JR 0909	88-129-000-080	0E	C-JUMPER, 3216	USM	CX-NDS50
X	MICON	JR 0909	88-129-000-080	0E	C-JUMPER, 3216	USM	CX-NDS55
X	MICON	JR 0910	88-129-000-080	0E	C-JUMPER, 3216	USM	CX-NDS50
X	MICON	JR 0910	88-129-000-080	0E	C-JUMPER, 3216	USM	CX-NDS55
X	MICON	JR 0911	88-108-000-080	0E	C-JUMPER,U	USM	CX-NDS50
X	MICON	JR 0911	88-108-000-080	0E	C-JUMPER,U	USM	CX-NDS55
X	MICON	JR 0912	88-129-000-080	0E	C-JUMPER, 3216	USM	CX-NDS50
X	MICON	JR 0912	88-129-000-080	0E	C-JUMPER, 3216	USM	CX-NDS55
X	MICON	JR 0914	88-108-000-080	0E	C-JUMPER,U	USM	CX-NDS50
X	MICON	JR 0914	88-108-000-080	0E	C-JUMPER,U	USM	CX-NDS55
X	MICON	JR 0962	88-108-000-080	0E	C-JUMPER,U	USM	CX-NDS50
X	MICON	JR 0962	88-108-000-080	0E	C-JUMPER,U	USM	CX-NDS55
X	MICON	JR 0963	88-108-103-080	0E	C-RES,U 10K-1/16W J	USM	CX-NDS50
X	MICON	JR 0963	88-108-103-080	0E	C-RES,U 10K-1/16W J	USM	CX-NDS55
O	MICON	L 0951	87-A50-652-010	1A	COIL, OSC 15.6MHZ	USM	CX-NDS50
O	MICON	L 0951	87-A50-652-010	1A	COIL, OSC 15.6MHZ	USM	CX-NDS55
O	MICON	LED0201	87-A40-606-040	0E	LED, SLR-332VC	USM	CX-NDS50
O	MICON	LED0201	87-A40-606-040	0E	LED, SLR-332VC	USM	CX-NDS55
O	MICON	LED0202	87-A40-606-040	0E	LED, SLR-332VC	USM	CX-NDS50
O	MICON	LED0202	87-A40-606-040	0E	LED, SLR-332VC	USM	CX-NDS55
O	MICON	LED0203	87-A40-606-040	0E	LED, SLR-332VC	USM	CX-NDS50
O	MICON	LED0203	87-A40-606-040	0E	LED, SLR-332VC	USM	CX-NDS55

PARTS LIST

! = Δ SAFTY PARTS
 C = Components marked

All components used on this model at the production line are shown in this service manual.

However, please note that not all components will be available as spare parts for after-sales service.

Components marked S and O are designated as spare parts for service and will be stocked at the spare parts centers.

Components marked X and R are not designated as spare parts for after sales service, and will not be stocked at the spare parts centers.

K NO. = Only use Japanese.

! C	UNIT NAME	REF NO.	PARTS CODE	K NO.	DESCRIPTION	SUFFIX	MODEL NAME
O	MICON	LED0204	87-A40-606-040	OE	LED,SLR-332VC	USM	CX-NDS50
O	MICON	LED0204	87-A40-606-040	OE	LED,SLR-332VC	USM	CX-NDS55
O	MICON	LED0209	87-A40-317-080	OE	LED,SLR-342VCT31 RED	USM	CX-NDS50
O	MICON	LED0209	87-A40-317-080	OE	LED,SLR-342VCT31 RED	USM	CX-NDS55
S	MICON	Q 0102	87-A30-076-080	OE	C-TR,2SC3052F	USM	CX-NDS50
S	MICON	Q 0102	87-A30-076-080	OE	C-TR,2SC3052F	USM	CX-NDS55
S	MICON	Q 0103	87-A30-074-080	OE	C-TR,RT1P 141C	USM	CX-NDS50
S	MICON	Q 0103	87-A30-074-080	OE	C-TR,RT1P 141C	USM	CX-NDS55
S	MICON	Q 0104	87-A30-074-080	OE	C-TR,RT1P 141C	USM	CX-NDS50
S	MICON	Q 0104	87-A30-074-080	OE	C-TR,RT1P 141C	USM	CX-NDS55
S	MICON	Q 0105	87-A30-468-080	OE	C-TR,KRC102S-RTK	USM	CX-NDS50
S	MICON	Q 0105	87-A30-468-080	OE	C-TR,KRC102S-RTK	USM	CX-NDS55
S	MICON	Q 0301	87-026-609-080	OE	TR,KTA1266GR	USM	CX-NDS50
S	MICON	Q 0301	87-026-609-080	OE	TR,KTA1266GR	USM	CX-NDS55
S	MICON	Q 0302	87-A30-076-080	OE	C-TR,2SC3052F	USM	CX-NDS50
S	MICON	Q 0302	87-A30-076-080	OE	C-TR,2SC3052F	USM	CX-NDS55
S	MICON	Q 0303	87-A30-076-080	OE	C-TR,2SC3052F	USM	CX-NDS50
S	MICON	Q 0303	87-A30-076-080	OE	C-TR,2SC3052F	USM	CX-NDS55
S	MICON	Q 0601	87-A30-495-080	OE	TR,2SA1981Y	USM	CX-NDS50
S	MICON	Q 0601	87-A30-495-080	OE	TR,2SA1981Y	USM	CX-NDS55
S	MICON	Q 0602	87-A30-495-080	OE	TR,2SA1981Y	USM	CX-NDS50
S	MICON	Q 0602	87-A30-495-080	OE	TR,2SA1981Y	USM	CX-NDS55
S	MICON	Q 0603	87-A30-582-080	OE	TR,CDA1585BC	USM	CX-NDS50
S	MICON	Q 0603	87-A30-582-080	OE	TR,CDA1585BC	USM	CX-NDS55
S	MICON	Q 0801	87-A30-076-080	OE	C-TR,2SC3052F	USM	CX-NDS50
S	MICON	Q 0801	87-A30-076-080	OE	C-TR,2SC3052F	USM	CX-NDS55
S	MICON	Q 0802	87-A30-075-080	OE	C-TR,2SA1235F	USM	CX-NDS50
S	MICON	Q 0802	87-A30-075-080	OE	C-TR,2SA1235F	USM	CX-NDS55
S	MICON	Q 0803	87-A30-288-040	OE	C-TR,DTC114YKA	USM	CX-NDS50
S	MICON	Q 0803	87-A30-288-040	OE	C-TR,DTC114YKA	USM	CX-NDS55
S	MICON	Q 0804	87-A30-288-040	OE	C-TR,DTC114YKA	USM	CX-NDS50
S	MICON	Q 0804	87-A30-288-040	OE	C-TR,DTC114YKA	USM	CX-NDS55
S	MICON	Q 0805	87-A30-288-040	OE	C-TR,DTC114YKA	USM	CX-NDS50
S	MICON	Q 0805	87-A30-288-040	OE	C-TR,DTC114YKA	USM	CX-NDS55
S	MICON	Q 0901	87-A30-074-080	OE	C-TR,RT1P 141C	USM	CX-NDS50
S	MICON	Q 0901	87-A30-074-080	OE	C-TR,RT1P 141C	USM	CX-NDS55
S	MICON	Q 0951	87-A30-087-080	OE	C-FET,2SK2158	USM	CX-NDS50
S	MICON	Q 0951	87-A30-087-080	OE	C-FET,2SK2158	USM	CX-NDS55
X	MICON	R 0109	88-108-224-080	OE	C-RES,U 220K-1/16W J	USM	CX-NDS50
X	MICON	R 0109	88-108-224-080	OE	C-RES,U 220K-1/16W J	USM	CX-NDS55
X	MICON	R 0110	88-108-153-080	OE	C-RES,U 15K-1/16W J	USM	CX-NDS50
X	MICON	R 0110	88-108-153-080	OE	C-RES,U 15K-1/16W J	USM	CX-NDS55
X	MICON	R 0111	88-108-333-080	OE	C-RES,U 33K-1/16W J	USM	CX-NDS50
X	MICON	R 0111	88-108-333-080	OE	C-RES,U 33K-1/16W J	USM	CX-NDS55
X	MICON	R 0112	88-121-224-080	OE	RES,220K-1/8W J	USM	CX-NDS50
X	MICON	R 0112	88-121-224-080	OE	RES,220K-1/8W J	USM	CX-NDS55
X	MICON	R 0114	88-108-103-080	OE	C-RES,U 10K-1/16W J	USM	CX-NDS50
X	MICON	R 0114	88-108-103-080	OE	C-RES,U 10K-1/16W J	USM	CX-NDS55
X	MICON	R 0151	88-100-000-010	OE	PLATING-JW, 0.58 SN95	USM	CX-NDS50
X	MICON	R 0151	88-100-000-010	OE	PLATING-JW, 0.58 SN95	USM	CX-NDS55
X	MICON	R 0152	88-100-000-010	OE	PLATING-JW, 0.58 SN95	USM	CX-NDS50
X	MICON	R 0152	88-100-000-010	OE	PLATING-JW, 0.58 SN95	USM	CX-NDS55
X	MICON	R 0153	88-128-821-080	OE	C-RES, 820-1/8W J	USM	CX-NDS50
X	MICON	R 0153	88-128-821-080	OE	C-RES, 820-1/8W J	USM	CX-NDS55
X	MICON	R 0154	88-128-821-080	OE	C-RES, 820-1/8W J	USM	CX-NDS50
X	MICON	R 0154	88-128-821-080	OE	C-RES, 820-1/8W J	USM	CX-NDS55
X	MICON	R 0155	88-121-332-080	OE	RES,3.3K-1/8W J	USM	CX-NDS50
X	MICON	R 0155	88-121-332-080	OE	RES,3.3K-1/8W J	USM	CX-NDS55
X	MICON	R 0156	88-108-332-080	OE	C-RES,U 3.3K-1/16W J	USM	CX-NDS50
X	MICON	R 0156	88-108-332-080	OE	C-RES,U 3.3K-1/16W J	USM	CX-NDS55
X	MICON	R 0201	88-128-102-080	OE	C-RES, 1K-1/8W J	USM	CX-NDS50
X	MICON	R 0201	88-128-102-080	OE	C-RES, 1K-1/8W J	USM	CX-NDS55
X	MICON	R 0202	88-128-102-080	OE	C-RES, 1K-1/8W J	USM	CX-NDS50
X	MICON	R 0202	88-128-102-080	OE	C-RES, 1K-1/8W J	USM	CX-NDS55
X	MICON	R 0203	88-128-102-080	OE	C-RES, 1K-1/8W J	USM	CX-NDS50
X	MICON	R 0203	88-128-102-080	OE	C-RES, 1K-1/8W J	USM	CX-NDS55
X	MICON	R 0206	88-128-102-080	OE	C-RES, 1K-1/8W J	USM	CX-NDS50
X	MICON	R 0206	88-128-102-080	OE	C-RES, 1K-1/8W J	USM	CX-NDS55
X	MICON	R 0208	88-121-222-080	OE	RES,2.2K-1/8W J	USM	CX-NDS50
X	MICON	R 0208	88-121-222-080	OE	RES,2.2K-1/8W J	USM	CX-NDS55

PARTS LIST

! = Δ SAFTY PARTS
 C = Components marked

All components used on this model at the production line are shown in this service manual.

However, please note that not all components will be available as spare parts for after-sales service.

Components marked S and O are designated as spare parts for service and will be stocked at the spare parts centers.

Components marked X and R are not designated as spare parts for after sales service, and will not be stocked at the spare parts centers.

K NO. = Only use Japanese.

! C	UNIT NAME	REF NO.	PARTS CODE	K NO.	DESCRIPTION	SUFFIX	MODEL NAME
X	MICON	R 0301	88-108-104-080	OE	C-RES,U 100K-1/16W J	USM	CX-NDS50
X	MICON	R 0301	88-108-104-080	OE	C-RES,U 100K-1/16W J	USM	CX-NDS55
X	MICON	R 0302	88-108-472-080	OE	C-RES,U 4.7K-1/16W J	USM	CX-NDS50
X	MICON	R 0302	88-108-472-080	OE	C-RES,U 4.7K-1/16W J	USM	CX-NDS55
X	MICON	R 0303	88-108-153-080	OE	C-RES,U 15K-1/16W J	USM	CX-NDS50
X	MICON	R 0303	88-108-153-080	OE	C-RES,U 15K-1/16W J	USM	CX-NDS55
X	MICON	R 0304	88-108-102-080	OE	C-RES,U 1K-1/16W J	USM	CX-NDS50
X	MICON	R 0304	88-108-102-080	OE	C-RES,U 1K-1/16W J	USM	CX-NDS55
X	MICON	R 0306	88-108-471-080	OE	C-RES,U 470-1/16W J	USM	CX-NDS50
X	MICON	R 0306	88-108-471-080	OE	C-RES,U 470-1/16W J	USM	CX-NDS55
X	MICON	R 0321	88-108-103-080	OE	C-RES,U 10K-1/16W J	USM	CX-NDS50
X	MICON	R 0321	88-108-103-080	OE	C-RES,U 10K-1/16W J	USM	CX-NDS55
X	MICON	R 0322	88-108-102-080	OE	C-RES,U 1K-1/16W J	USM	CX-NDS50
X	MICON	R 0322	88-108-102-080	OE	C-RES,U 1K-1/16W J	USM	CX-NDS55
X	MICON	R 0323	88-121-821-080	OE	RES,820-1/8W J	USM	CX-NDS50
X	MICON	R 0323	88-121-821-080	OE	RES,820-1/8W J	USM	CX-NDS55
X	MICON	R 0324	88-108-102-080	OE	C-RES,U 1K-1/16W J	USM	CX-NDS50
X	MICON	R 0324	88-108-102-080	OE	C-RES,U 1K-1/16W J	USM	CX-NDS55
X	MICON	R 0325	88-108-122-080	OE	C-RES,U 1.2K-1/16W J	USM	CX-NDS50
X	MICON	R 0325	88-108-122-080	OE	C-RES,U 1.2K-1/16W J	USM	CX-NDS55
X	MICON	R 0326	88-108-122-080	OE	C-RES,U 1.2K-1/16W J	USM	CX-NDS50
X	MICON	R 0326	88-108-122-080	OE	C-RES,U 1.2K-1/16W J	USM	CX-NDS55
X	MICON	R 0327	88-108-182-080	OE	C-RES,U 1.8K-1/16W J	USM	CX-NDS50
X	MICON	R 0327	88-108-182-080	OE	C-RES,U 1.8K-1/16W J	USM	CX-NDS55
X	MICON	R 0328	88-108-182-080	OE	C-RES,U 1.8K-1/16W J	USM	CX-NDS50
X	MICON	R 0328	88-108-182-080	OE	C-RES,U 1.8K-1/16W J	USM	CX-NDS55
X	MICON	R 0329	88-108-272-080	OE	C-RES,U 2.7K-1/16W J	USM	CX-NDS50
X	MICON	R 0329	88-108-272-080	OE	C-RES,U 2.7K-1/16W J	USM	CX-NDS55
X	MICON	R 0330	88-121-332-080	OE	RES,3.3K-1/8W J	USM	CX-NDS50
X	MICON	R 0330	88-121-332-080	OE	RES,3.3K-1/8W J	USM	CX-NDS55
X	MICON	R 0331	88-108-472-080	OE	C-RES,U 4.7K-1/16W J	USM	CX-NDS50
X	MICON	R 0331	88-108-472-080	OE	C-RES,U 4.7K-1/16W J	USM	CX-NDS55
X	MICON	R 0332	88-108-682-080	OE	C-RES,U 6.8K-1/16W J	USM	CX-NDS50
X	MICON	R 0332	88-108-682-080	OE	C-RES,U 6.8K-1/16W J	USM	CX-NDS55
X	MICON	R 0333	88-108-103-080	OE	C-RES,U 10K-1/16W J	USM	CX-NDS50
X	MICON	R 0333	88-108-103-080	OE	C-RES,U 10K-1/16W J	USM	CX-NDS55
X	MICON	R 0334	88-108-183-080	OE	C-RES,U 18K-1/16W J	USM	CX-NDS50
X	MICON	R 0334	88-108-183-080	OE	C-RES,U 18K-1/16W J	USM	CX-NDS55
X	MICON	R 0335	88-121-473-080	OE	RES,47K-1/8W J	USM	CX-NDS50
X	MICON	R 0335	88-121-473-080	OE	RES,47K-1/8W J	USM	CX-NDS55
X	MICON	R 0341	88-108-103-080	OE	C-RES,U 10K-1/16W J	USM	CX-NDS50
X	MICON	R 0341	88-108-103-080	OE	C-RES,U 10K-1/16W J	USM	CX-NDS55
X	MICON	R 0342	88-108-102-080	OE	C-RES,U 1K-1/16W J	USM	CX-NDS50
X	MICON	R 0342	88-108-102-080	OE	C-RES,U 1K-1/16W J	USM	CX-NDS55
X	MICON	R 0343	88-121-821-080	OE	RES,820-1/8W J	USM	CX-NDS50
X	MICON	R 0343	88-121-821-080	OE	RES,820-1/8W J	USM	CX-NDS55
X	MICON	R 0344	88-108-102-080	OE	C-RES,U 1K-1/16W J	USM	CX-NDS50
X	MICON	R 0344	88-108-102-080	OE	C-RES,U 1K-1/16W J	USM	CX-NDS55
X	MICON	R 0345	88-108-122-080	OE	C-RES,U 1.2K-1/16W J	USM	CX-NDS50
X	MICON	R 0345	88-108-122-080	OE	C-RES,U 1.2K-1/16W J	USM	CX-NDS55
X	MICON	R 0346	88-108-122-080	OE	C-RES,U 1.2K-1/16W J	USM	CX-NDS50
X	MICON	R 0346	88-108-122-080	OE	C-RES,U 1.2K-1/16W J	USM	CX-NDS55
X	MICON	R 0347	88-108-182-080	OE	C-RES,U 1.8K-1/16W J	USM	CX-NDS50
X	MICON	R 0347	88-108-182-080	OE	C-RES,U 1.8K-1/16W J	USM	CX-NDS55
X	MICON	R 0348	88-108-182-080	OE	C-RES,U 1.8K-1/16W J	USM	CX-NDS50
X	MICON	R 0348	88-108-182-080	OE	C-RES,U 1.8K-1/16W J	USM	CX-NDS55
X	MICON	R 0349	88-121-272-080	OE	RES,2.7K-1/8W J	USM	CX-NDS50
X	MICON	R 0349	88-121-272-080	OE	RES,2.7K-1/8W J	USM	CX-NDS55
X	MICON	R 0361	88-108-103-080	OE	C-RES,U 10K-1/16W J	USM	CX-NDS50
X	MICON	R 0361	88-108-103-080	OE	C-RES,U 10K-1/16W J	USM	CX-NDS55
X	MICON	R 0362	88-108-103-080	OE	C-RES,U 10K-1/16W J	USM	CX-NDS50
X	MICON	R 0362	88-108-103-080	OE	C-RES,U 10K-1/16W J	USM	CX-NDS55
X	MICON	R 0363	88-108-100-080	OE	C-RES,U 10-1/16W J	USM	CX-NDS50
X	MICON	R 0363	88-108-100-080	OE	C-RES,U 10-1/16W J	USM	CX-NDS55
X	MICON	R 0364	88-108-100-080	OE	C-RES,U 10-1/16W J	USM	CX-NDS50
X	MICON	R 0364	88-108-100-080	OE	C-RES,U 10-1/16W J	USM	CX-NDS55
X	MICON	R 0371	88-108-103-080	OE	C-RES,U 10K-1/16W J	USM	CX-NDS50
X	MICON	R 0371	88-108-103-080	OE	C-RES,U 10K-1/16W J	USM	CX-NDS55
X	MICON	R 0372	88-108-103-080	OE	C-RES,U 10K-1/16W J	USM	CX-NDS50
X	MICON	R 0372	88-108-103-080	OE	C-RES,U 10K-1/16W J	USM	CX-NDS55

PARTS LIST

! = Δ SAFTY PARTS
 C = Components marked

All components used on this model at the production line are shown in this service manual.

However, please note that not all components will be available as spare parts for after-sales service.

Components marked S and O are designated as spare parts for service and will be stocked at the spare parts centers.

Components marked X and R are not designated as spare parts for after sales service, and will not be stocked at the spare parts centers.

K NO. = Only use Japanese.

! C	UNIT NAME	REF NO.	PARTS CODE	K NO.	DESCRIPTION	SUFFIX	MODEL NAME
X	MICON	R 0373	88-108-100-080	0E	C-RES,U 10-1/16W J	USM	CX-NDS50
X	MICON	R 0373	88-108-100-080	0E	C-RES,U 10-1/16W J	USM	CX-NDS55
X	MICON	R 0374	88-108-100-080	0E	C-RES,U 10-1/16W J	USM	CX-NDS50
X	MICON	R 0374	88-108-100-080	0E	C-RES,U 10-1/16W J	USM	CX-NDS55
X	MICON	R 0501	88-108-103-080	0E	C-RES,U 10K-1/16W J	USM	CX-NDS50
X	MICON	R 0501	88-108-103-080	0E	C-RES,U 10K-1/16W J	USM	CX-NDS55
X	MICON	R 0502	88-108-103-080	0E	C-RES,U 10K-1/16W J	USM	CX-NDS50
X	MICON	R 0502	88-108-103-080	0E	C-RES,U 10K-1/16W J	USM	CX-NDS55
X	MICON	R 0503	88-108-103-080	0E	C-RES,U 10K-1/16W J	USM	CX-NDS50
X	MICON	R 0503	88-108-103-080	0E	C-RES,U 10K-1/16W J	USM	CX-NDS55
X	MICON	R 0601	88-108-103-080	0E	C-RES,U 10K-1/16W J	USM	CX-NDS50
X	MICON	R 0601	88-108-103-080	0E	C-RES,U 10K-1/16W J	USM	CX-NDS55
X	MICON	R 0602	88-108-222-080	0E	C-RES,U 2.2K-1/16W J	USM	CX-NDS50
X	MICON	R 0602	88-108-222-080	0E	C-RES,U 2.2K-1/16W J	USM	CX-NDS55
X	MICON	R 0603	88-108-103-080	0E	C-RES,U 10K-1/16W J	USM	CX-NDS50
X	MICON	R 0603	88-108-103-080	0E	C-RES,U 10K-1/16W J	USM	CX-NDS55
X	MICON	R 0604	88-108-222-080	0E	C-RES,U 2.2K-1/16W J	USM	CX-NDS50
X	MICON	R 0604	88-108-222-080	0E	C-RES,U 2.2K-1/16W J	USM	CX-NDS55
X	MICON	R 0605	88-108-103-080	0E	C-RES,U 10K-1/16W J	USM	CX-NDS50
X	MICON	R 0605	88-108-103-080	0E	C-RES,U 10K-1/16W J	USM	CX-NDS55
X	MICON	R 0606	88-108-102-080	0E	C-RES,U 1K-1/16W J	USM	CX-NDS50
X	MICON	R 0606	88-108-102-080	0E	C-RES,U 1K-1/16W J	USM	CX-NDS55
X	MICON	R 0607	88-108-000-080	0E	C-JUMPER,U	USM	CX-NDS50
X	MICON	R 0607	88-108-000-080	0E	C-JUMPER,U	USM	CX-NDS55
X	MICON	R 0611	88-108-473-080	0E	C-RES,U 47K-1/16W J	USM	CX-NDS50
X	MICON	R 0611	88-108-473-080	0E	C-RES,U 47K-1/16W J	USM	CX-NDS55
X	MICON	R 0613	88-108-473-080	0E	C-RES,U 47K-1/16W J	USM	CX-NDS50
X	MICON	R 0613	88-108-473-080	0E	C-RES,U 47K-1/16W J	USM	CX-NDS55
X	MICON	R 0614	88-108-473-080	0E	C-RES,U 47K-1/16W J	USM	CX-NDS50
X	MICON	R 0614	88-108-473-080	0E	C-RES,U 47K-1/16W J	USM	CX-NDS55
X	MICON	R 0615	88-108-473-080	0E	C-RES,U 47K-1/16W J	USM	CX-NDS50
X	MICON	R 0615	88-108-473-080	0E	C-RES,U 47K-1/16W J	USM	CX-NDS55
X	MICON	R 0616	88-108-473-080	0E	C-RES,U 47K-1/16W J	USM	CX-NDS50
X	MICON	R 0616	88-108-473-080	0E	C-RES,U 47K-1/16W J	USM	CX-NDS55
X	MICON	R 0651	88-108-152-080	0E	C-RES,U 1.5K-1/16W J	USM	CX-NDS50
X	MICON	R 0651	88-108-152-080	0E	C-RES,U 1.5K-1/16W J	USM	CX-NDS55
X	MICON	R 0652	88-108-152-080	0E	C-RES,U 1.5K-1/16W J	USM	CX-NDS50
X	MICON	R 0652	88-108-152-080	0E	C-RES,U 1.5K-1/16W J	USM	CX-NDS55
X	MICON	R 0653	88-108-152-080	0E	C-RES,U 1.5K-1/16W J	USM	CX-NDS50
X	MICON	R 0653	88-108-152-080	0E	C-RES,U 1.5K-1/16W J	USM	CX-NDS55
X	MICON	R 0654	88-108-152-080	0E	C-RES,U 1.5K-1/16W J	USM	CX-NDS50
X	MICON	R 0654	88-108-152-080	0E	C-RES,U 1.5K-1/16W J	USM	CX-NDS55
X	MICON	R 0655	88-108-152-080	0E	C-RES,U 1.5K-1/16W J	USM	CX-NDS50
X	MICON	R 0655	88-108-152-080	0E	C-RES,U 1.5K-1/16W J	USM	CX-NDS55
X	MICON	R 0656	88-108-152-080	0E	C-RES,U 1.5K-1/16W J	USM	CX-NDS50
X	MICON	R 0656	88-108-152-080	0E	C-RES,U 1.5K-1/16W J	USM	CX-NDS55
X	MICON	R 0658	88-108-152-080	0E	C-RES,U 1.5K-1/16W J	USM	CX-NDS50
X	MICON	R 0658	88-108-152-080	0E	C-RES,U 1.5K-1/16W J	USM	CX-NDS55
X	MICON	R 0704	88-128-102-080	0E	C-RES, 1K-1/8W J	USM	CX-NDS50
X	MICON	R 0704	88-128-102-080	0E	C-RES, 1K-1/8W J	USM	CX-NDS55
X	MICON	R 0705	88-108-102-080	0E	C-RES,U 1K-1/16W J	USM	CX-NDS50
X	MICON	R 0705	88-108-102-080	0E	C-RES,U 1K-1/16W J	USM	CX-NDS55
X	MICON	R 0706	88-108-102-080	0E	C-RES,U 1K-1/16W J	USM	CX-NDS50
X	MICON	R 0706	88-108-102-080	0E	C-RES,U 1K-1/16W J	USM	CX-NDS55
X	MICON	R 0707	88-108-102-080	0E	C-RES,U 1K-1/16W J	USM	CX-NDS50
X	MICON	R 0707	88-108-102-080	0E	C-RES,U 1K-1/16W J	USM	CX-NDS55
X	MICON	R 0708	88-108-102-080	0E	C-RES,U 1K-1/16W J	USM	CX-NDS50
X	MICON	R 0708	88-108-102-080	0E	C-RES,U 1K-1/16W J	USM	CX-NDS55
X	MICON	R 0710	88-108-101-080	0E	C-RES,U 100-1/16W J	USM	CX-NDS50
X	MICON	R 0710	88-108-101-080	0E	C-RES,U 100-1/16W J	USM	CX-NDS55
X	MICON	R 0711	88-108-101-080	0E	C-RES,U 100-1/16W J	USM	CX-NDS50
X	MICON	R 0711	88-108-101-080	0E	C-RES,U 100-1/16W J	USM	CX-NDS55
X	MICON	R 0715	88-108-101-080	0E	C-RES,U 100-1/16W J	USM	CX-NDS50
X	MICON	R 0715	88-108-101-080	0E	C-RES,U 100-1/16W J	USM	CX-NDS55
X	MICON	R 0719	88-121-100-080	0E	RES,10-1/8W J	USM	CX-NDS50
X	MICON	R 0719	88-121-100-080	0E	RES,10-1/8W J	USM	CX-NDS55
X	MICON	R 0721	88-108-101-080	0E	C-RES,U 100-1/16W J	USM	CX-NDS50
X	MICON	R 0721	88-108-101-080	0E	C-RES,U 100-1/16W J	USM	CX-NDS55
X	MICON	R 0730	88-121-102-080	0E	RES,1K-1/8W J	USM	CX-NDS50
X	MICON	R 0730	88-121-102-080	0E	RES,1K-1/8W J	USM	CX-NDS55

PARTS LIST

! = Δ SAFTY PARTS
 C = Components marked

All components used on this model at the production line are shown in this service manual.

However, please note that not all components will be available as spare parts for after-sales service.

Components marked S and O are designated as spare parts for service and will be stocked at the spare parts centers.

Components marked X and R are not designated as spare parts for after sales service, and will not be stocked at the spare parts centers.

K NO. = Only use Japanese.

! C	UNIT NAME	REF NO.	PARTS CODE	K NO.	DESCRIPTION	SUFFIX	MODEL NAME
X	MICON	R 0732	88-108-101-080	0E	C-RES,U 100-1/16W J	USM	CX-NDS50
X	MICON	R 0732	88-108-101-080	0E	C-RES,U 100-1/16W J	USM	CX-NDS55
X	MICON	R 0733	88-108-101-080	0E	C-RES,U 100-1/16W J	USM	CX-NDS50
X	MICON	R 0733	88-108-101-080	0E	C-RES,U 100-1/16W J	USM	CX-NDS55
X	MICON	R 0734	88-108-102-080	0E	C-RES,U 1K-1/16W J	USM	CX-NDS50
X	MICON	R 0734	88-108-102-080	0E	C-RES,U 1K-1/16W J	USM	CX-NDS55
X	MICON	R 0735	88-108-102-080	0E	C-RES,U 1K-1/16W J	USM	CX-NDS50
X	MICON	R 0735	88-108-102-080	0E	C-RES,U 1K-1/16W J	USM	CX-NDS55
X	MICON	R 0740	88-108-102-080	0E	C-RES,U 1K-1/16W J	USM	CX-NDS50
X	MICON	R 0740	88-108-102-080	0E	C-RES,U 1K-1/16W J	USM	CX-NDS55
X	MICON	R 0741	88-108-101-080	0E	C-RES,U 100-1/16W J	USM	CX-NDS50
X	MICON	R 0741	88-108-101-080	0E	C-RES,U 100-1/16W J	USM	CX-NDS55
X	MICON	R 0742	88-108-102-080	0E	C-RES,U 1K-1/16W J	USM	CX-NDS50
X	MICON	R 0742	88-108-102-080	0E	C-RES,U 1K-1/16W J	USM	CX-NDS55
X	MICON	R 0743	88-108-474-080	0E	C-RES,U 470K-1/16W J	USM	CX-NDS50
X	MICON	R 0743	88-108-474-080	0E	C-RES,U 470K-1/16W J	USM	CX-NDS55
X	MICON	R 0744	88-108-823-080	0E	C-RES,U 82K-1/16W J	USM	CX-NDS50
X	MICON	R 0744	88-108-823-080	0E	C-RES,U 82K-1/16W J	USM	CX-NDS55
X	MICON	R 0745	88-108-104-080	0E	C-RES,U 100K-1/16W J	USM	CX-NDS50
X	MICON	R 0745	88-108-104-080	0E	C-RES,U 100K-1/16W J	USM	CX-NDS55
X	MICON	R 0749	88-108-474-080	0E	C-RES,U 470K-1/16W J	USM	CX-NDS50
X	MICON	R 0749	88-108-474-080	0E	C-RES,U 470K-1/16W J	USM	CX-NDS55
X	MICON	R 0803	88-108-102-080	0E	C-RES,U 1K-1/16W J	USM	CX-NDS50
X	MICON	R 0803	88-108-102-080	0E	C-RES,U 1K-1/16W J	USM	CX-NDS55
X	MICON	R 0804	88-108-224-080	0E	C-RES,U 220K-1/16W J	USM	CX-NDS50
X	MICON	R 0804	88-108-224-080	0E	C-RES,U 220K-1/16W J	USM	CX-NDS55
X	MICON	R 0805	88-108-273-080	0E	C-RES,U 27K-1/16W J	USM	CX-NDS50
X	MICON	R 0805	88-108-273-080	0E	C-RES,U 27K-1/16W J	USM	CX-NDS55
X	MICON	R 0806	88-108-562-080	0E	C-RES,U 5.6K-1/16W J	USM	CX-NDS50
X	MICON	R 0806	88-108-562-080	0E	C-RES,U 5.6K-1/16W J	USM	CX-NDS55
X	MICON	R 0807	88-108-000-080	0E	C-JUMPER,U	USM	CX-NDS50
X	MICON	R 0807	88-108-000-080	0E	C-JUMPER,U	USM	CX-NDS55
X	MICON	R 0808	88-128-101-080	0E	C-RES, 100-1/8W J	USM	CX-NDS50
X	MICON	R 0808	88-128-101-080	0E	C-RES, 100-1/8W J	USM	CX-NDS55
X	MICON	R 0809	88-108-102-080	0E	C-RES,U 1K-1/16W J	USM	CX-NDS50
X	MICON	R 0809	88-108-102-080	0E	C-RES,U 1K-1/16W J	USM	CX-NDS55
X	MICON	R 0810	88-108-272-080	0E	C-RES,U 2.7K-1/16W J	USM	CX-NDS50
X	MICON	R 0810	88-108-272-080	0E	C-RES,U 2.7K-1/16W J	USM	CX-NDS55
X	MICON	R 0811	88-108-104-080	0E	C-RES,U 100K-1/16W J	USM	CX-NDS50
X	MICON	R 0811	88-108-104-080	0E	C-RES,U 100K-1/16W J	USM	CX-NDS55
X	MICON	R 0813	88-108-223-080	0E	C-RES,U 22K-1/16W J	USM	CX-NDS50
X	MICON	R 0813	88-108-223-080	0E	C-RES,U 22K-1/16W J	USM	CX-NDS55
X	MICON	R 0815	88-108-272-080	0E	C-RES,U 2.7K-1/16W J	USM	CX-NDS50
X	MICON	R 0815	88-108-272-080	0E	C-RES,U 2.7K-1/16W J	USM	CX-NDS55
X	MICON	R 0816	88-108-104-080	0E	C-RES,U 100K-1/16W J	USM	CX-NDS50
X	MICON	R 0816	88-108-104-080	0E	C-RES,U 100K-1/16W J	USM	CX-NDS55
X	MICON	R 0818	88-108-223-080	0E	C-RES,U 22K-1/16W J	USM	CX-NDS50
X	MICON	R 0818	88-108-223-080	0E	C-RES,U 22K-1/16W J	USM	CX-NDS55
X	MICON	R 0819	88-108-272-080	0E	C-RES,U 2.7K-1/16W J	USM	CX-NDS50
X	MICON	R 0819	88-108-272-080	0E	C-RES,U 2.7K-1/16W J	USM	CX-NDS55
X	MICON	R 0821	88-108-104-080	0E	C-RES,U 100K-1/16W J	USM	CX-NDS50
X	MICON	R 0821	88-108-104-080	0E	C-RES,U 100K-1/16W J	USM	CX-NDS55
X	MICON	R 0822	88-108-223-080	0E	C-RES,U 22K-1/16W J	USM	CX-NDS50
X	MICON	R 0822	88-108-223-080	0E	C-RES,U 22K-1/16W J	USM	CX-NDS55
X	MICON	R 0823	88-108-101-080	0E	C-RES,U 100-1/16W J	USM	CX-NDS50
X	MICON	R 0823	88-108-101-080	0E	C-RES,U 100-1/16W J	USM	CX-NDS55
X	MICON	R 0824	88-108-101-080	0E	C-RES,U 100-1/16W J	USM	CX-NDS50
X	MICON	R 0824	88-108-101-080	0E	C-RES,U 100-1/16W J	USM	CX-NDS55
X	MICON	R 0825	88-108-101-080	0E	C-RES,U 100-1/16W J	USM	CX-NDS50
X	MICON	R 0825	88-108-101-080	0E	C-RES,U 100-1/16W J	USM	CX-NDS55
X	MICON	R 0826	88-108-000-080	0E	C-JUMPER,U	USM	CX-NDS50
X	MICON	R 0826	88-108-000-080	0E	C-JUMPER,U	USM	CX-NDS55
X	MICON	R 0827	88-108-103-080	0E	C-RES,U 10K-1/16W J	USM	CX-NDS50
X	MICON	R 0827	88-108-103-080	0E	C-RES,U 10K-1/16W J	USM	CX-NDS55
X	MICON	R 0901	88-108-104-080	0E	C-RES,U 100K-1/16W J	USM	CX-NDS50
X	MICON	R 0901	88-108-104-080	0E	C-RES,U 100K-1/16W J	USM	CX-NDS55
X	MICON	R 0902	88-108-104-080	0E	C-RES,U 100K-1/16W J	USM	CX-NDS50
X	MICON	R 0902	88-108-104-080	0E	C-RES,U 100K-1/16W J	USM	CX-NDS55
X	MICON	R 0903	88-108-104-080	0E	C-RES,U 100K-1/16W J	USM	CX-NDS50
X	MICON	R 0903	88-108-104-080	0E	C-RES,U 100K-1/16W J	USM	CX-NDS55

PARTS LIST

! = Δ SAFTY PARTS
 C = Components marked

All components used on this model at the production line are shown in this service manual.

However, please note that not all components will be available as spare parts for after-sales service.

Components marked S and O are designated as spare parts for service and will be stocked at the spare parts centers.

Components marked X and R are not designated as spare parts for after sales service, and will not be stocked at the spare parts centers.

K NO. = Only use Japanese.

! C	UNIT NAME	REF NO.	PARTS CODE	K NO.	DESCRIPTION	SUFFIX	MODEL NAME
X	MICON	R 0904	88-108-104-080	0E	C-RES,U 100K-1/16W J	USM	CX-NDS50
X	MICON	R 0904	88-108-104-080	0E	C-RES,U 100K-1/16W J	USM	CX-NDS55
X	MICON	R 0905	88-108-104-080	0E	C-RES,U 100K-1/16W J	USM	CX-NDS50
X	MICON	R 0905	88-108-104-080	0E	C-RES,U 100K-1/16W J	USM	CX-NDS55
X	MICON	R 0906	88-108-104-080	0E	C-RES,U 100K-1/16W J	USM	CX-NDS50
X	MICON	R 0906	88-108-104-080	0E	C-RES,U 100K-1/16W J	USM	CX-NDS55
X	MICON	R 0907	88-108-104-080	0E	C-RES,U 100K-1/16W J	USM	CX-NDS50
X	MICON	R 0907	88-108-104-080	0E	C-RES,U 100K-1/16W J	USM	CX-NDS55
X	MICON	R 0908	88-108-104-080	0E	C-RES,U 100K-1/16W J	USM	CX-NDS50
X	MICON	R 0908	88-108-104-080	0E	C-RES,U 100K-1/16W J	USM	CX-NDS55
X	MICON	R 0909	88-108-104-080	0E	C-RES,U 100K-1/16W J	USM	CX-NDS50
X	MICON	R 0909	88-108-104-080	0E	C-RES,U 100K-1/16W J	USM	CX-NDS55
X	MICON	R 0910	88-108-104-080	0E	C-RES,U 100K-1/16W J	USM	CX-NDS50
X	MICON	R 0910	88-108-104-080	0E	C-RES,U 100K-1/16W J	USM	CX-NDS55
X	MICON	R 0911	88-108-104-080	0E	C-RES,U 100K-1/16W J	USM	CX-NDS50
X	MICON	R 0911	88-108-104-080	0E	C-RES,U 100K-1/16W J	USM	CX-NDS55
X	MICON	R 0912	88-108-104-080	0E	C-RES,U 100K-1/16W J	USM	CX-NDS50
X	MICON	R 0912	88-108-104-080	0E	C-RES,U 100K-1/16W J	USM	CX-NDS55
X	MICON	R 0913	88-108-104-080	0E	C-RES,U 100K-1/16W J	USM	CX-NDS50
X	MICON	R 0913	88-108-104-080	0E	C-RES,U 100K-1/16W J	USM	CX-NDS55
X	MICON	R 0914	88-108-104-080	0E	C-RES,U 100K-1/16W J	USM	CX-NDS50
X	MICON	R 0914	88-108-104-080	0E	C-RES,U 100K-1/16W J	USM	CX-NDS55
X	MICON	R 0915	88-108-104-080	0E	C-RES,U 100K-1/16W J	USM	CX-NDS50
X	MICON	R 0915	88-108-104-080	0E	C-RES,U 100K-1/16W J	USM	CX-NDS55
X	MICON	R 0916	88-108-104-080	0E	C-RES,U 100K-1/16W J	USM	CX-NDS50
X	MICON	R 0916	88-108-104-080	0E	C-RES,U 100K-1/16W J	USM	CX-NDS55
X	MICON	R 0917	88-108-104-080	0E	C-RES,U 100K-1/16W J	USM	CX-NDS50
X	MICON	R 0917	88-108-104-080	0E	C-RES,U 100K-1/16W J	USM	CX-NDS55
X	MICON	R 0918	88-108-104-080	0E	C-RES,U 100K-1/16W J	USM	CX-NDS50
X	MICON	R 0918	88-108-104-080	0E	C-RES,U 100K-1/16W J	USM	CX-NDS55
X	MICON	R 0919	88-108-104-080	0E	C-RES,U 100K-1/16W J	USM	CX-NDS50
X	MICON	R 0919	88-108-104-080	0E	C-RES,U 100K-1/16W J	USM	CX-NDS55
X	MICON	R 0920	88-108-104-080	0E	C-RES,U 100K-1/16W J	USM	CX-NDS50
X	MICON	R 0920	88-108-104-080	0E	C-RES,U 100K-1/16W J	USM	CX-NDS55
X	MICON	R 0921	88-108-104-080	0E	C-RES,U 100K-1/16W J	USM	CX-NDS50
X	MICON	R 0921	88-108-104-080	0E	C-RES,U 100K-1/16W J	USM	CX-NDS55
X	MICON	R 0922	88-108-104-080	0E	C-RES,U 100K-1/16W J	USM	CX-NDS50
X	MICON	R 0922	88-108-104-080	0E	C-RES,U 100K-1/16W J	USM	CX-NDS55
X	MICON	R 0923	88-108-104-080	0E	C-RES,U 100K-1/16W J	USM	CX-NDS50
X	MICON	R 0923	88-108-104-080	0E	C-RES,U 100K-1/16W J	USM	CX-NDS55
X	MICON	R 0924	88-108-104-080	0E	C-RES,U 100K-1/16W J	USM	CX-NDS50
X	MICON	R 0924	88-108-104-080	0E	C-RES,U 100K-1/16W J	USM	CX-NDS55
X	MICON	R 0925	88-108-104-080	0E	C-RES,U 100K-1/16W J	USM	CX-NDS50
X	MICON	R 0925	88-108-104-080	0E	C-RES,U 100K-1/16W J	USM	CX-NDS55
X	MICON	R 0926	88-108-104-080	0E	C-RES,U 100K-1/16W J	USM	CX-NDS50
X	MICON	R 0926	88-108-104-080	0E	C-RES,U 100K-1/16W J	USM	CX-NDS55
X	MICON	R 0927	88-108-104-080	0E	C-RES,U 100K-1/16W J	USM	CX-NDS50
X	MICON	R 0927	88-108-104-080	0E	C-RES,U 100K-1/16W J	USM	CX-NDS55
X	MICON	R 0928	88-108-104-080	0E	C-RES,U 100K-1/16W J	USM	CX-NDS50
X	MICON	R 0928	88-108-104-080	0E	C-RES,U 100K-1/16W J	USM	CX-NDS55
X	MICON	R 0929	88-108-104-080	0E	C-RES,U 100K-1/16W J	USM	CX-NDS50
X	MICON	R 0929	88-108-104-080	0E	C-RES,U 100K-1/16W J	USM	CX-NDS55
X	MICON	R 0930	88-108-104-080	0E	C-RES,U 100K-1/16W J	USM	CX-NDS50
X	MICON	R 0930	88-108-104-080	0E	C-RES,U 100K-1/16W J	USM	CX-NDS55
X	MICON	R 0931	88-108-104-080	0E	C-RES,U 100K-1/16W J	USM	CX-NDS50
X	MICON	R 0931	88-108-104-080	0E	C-RES,U 100K-1/16W J	USM	CX-NDS55
X	MICON	R 0932	88-108-104-080	0E	C-RES,U 100K-1/16W J	USM	CX-NDS50
X	MICON	R 0932	88-108-104-080	0E	C-RES,U 100K-1/16W J	USM	CX-NDS55
X	MICON	R 0933	88-108-104-080	0E	C-RES,U 100K-1/16W J	USM	CX-NDS50
X	MICON	R 0933	88-108-104-080	0E	C-RES,U 100K-1/16W J	USM	CX-NDS55
X	MICON	R 0934	88-108-683-080	0E	C-RES,U 68K-1/16W J	USM	CX-NDS50
X	MICON	R 0934	88-108-683-080	0E	C-RES,U 68K-1/16W J	USM	CX-NDS55
X	MICON	R 0935	88-108-683-080	0E	C-RES,U 68K-1/16W J	USM	CX-NDS50
X	MICON	R 0935	88-108-683-080	0E	C-RES,U 68K-1/16W J	USM	CX-NDS55
X	MICON	R 0936	88-108-104-080	0E	C-RES,U 100K-1/16W J	USM	CX-NDS50
X	MICON	R 0936	88-108-104-080	0E	C-RES,U 100K-1/16W J	USM	CX-NDS55
X	MICON	R 0937	88-128-472-080	0E	C-RES, 4.7K-1/8W J	USM	CX-NDS50
X	MICON	R 0937	88-128-472-080	0E	C-RES, 4.7K-1/8W J	USM	CX-NDS55
X	MICON	R 0938	88-108-472-080	0E	C-RES,U 4.7K-1/16W J	USM	CX-NDS50
X	MICON	R 0938	88-108-472-080	0E	C-RES,U 4.7K-1/16W J	USM	CX-NDS55

PARTS LIST

! = Δ SAFTY PARTS
 C = Components marked

All components used on this model at the production line are shown in this service manual.

However, please note that not all components will be available as spare parts for after-sales service.

Components marked S and O are designated as spare parts for service and will be stocked at the spare parts centers.

Components marked X and R are not designated as spare parts for after sales service, and will not be stocked at the spare parts centers.

K NO. = Only use Japanese.

! C	UNIT NAME	REF NO.	PARTS CODE	K NO.	DESCRIPTION	SUFFIX	MODEL NAME
X	MICON	R 0939	88-108-472-080	0E	C-RES,U 4.7K-1/16W J	USM	CX-NDS50
X	MICON	R 0939	88-108-472-080	0E	C-RES,U 4.7K-1/16W J	USM	CX-NDS55
X	MICON	R 0941	88-108-104-080	0E	C-RES,U 100K-1/16W J	USM	CX-NDS50
X	MICON	R 0941	88-108-104-080	0E	C-RES,U 100K-1/16W J	USM	CX-NDS55
X	MICON	R 0942	88-108-103-080	0E	C-RES,U 10K-1/16W J	USM	CX-NDS50
X	MICON	R 0942	88-108-103-080	0E	C-RES,U 10K-1/16W J	USM	CX-NDS55
X	MICON	R 0943	88-108-103-080	0E	C-RES,U 10K-1/16W J	USM	CX-NDS50
X	MICON	R 0943	88-108-103-080	0E	C-RES,U 10K-1/16W J	USM	CX-NDS55
X	MICON	R 0944	88-108-104-080	0E	C-RES,U 100K-1/16W J	USM	CX-NDS50
X	MICON	R 0944	88-108-104-080	0E	C-RES,U 100K-1/16W J	USM	CX-NDS55
X	MICON	R 0946	88-108-000-080	0E	C-JUMPER,U	USM	CX-NDS50
X	MICON	R 0946	88-108-000-080	0E	C-JUMPER,U	USM	CX-NDS55
X	MICON	R 0947	88-121-104-080	0E	RES,100K-1/8W J	USM	CX-NDS50
X	MICON	R 0947	88-121-104-080	0E	RES,100K-1/8W J	USM	CX-NDS55
X	MICON	R 0948	88-108-104-080	0E	C-RES,U 100K-1/16W J	USM	CX-NDS50
X	MICON	R 0948	88-108-104-080	0E	C-RES,U 100K-1/16W J	USM	CX-NDS55
X	MICON	R 0951	88-108-102-080	0E	C-RES,U 1K-1/16W J	USM	CX-NDS50
X	MICON	R 0951	88-108-102-080	0E	C-RES,U 1K-1/16W J	USM	CX-NDS55
X	MICON	R 0952	88-108-103-080	0E	C-RES,U 10K-1/16W J	USM	CX-NDS50
X	MICON	R 0952	88-108-103-080	0E	C-RES,U 10K-1/16W J	USM	CX-NDS55
X	MICON	R 0954	88-108-104-080	0E	C-RES,U 100K-1/16W J	USM	CX-NDS50
X	MICON	R 0954	88-108-104-080	0E	C-RES,U 100K-1/16W J	USM	CX-NDS55
X	MICON	R 0955	88-108-104-080	0E	C-RES,U 100K-1/16W J	USM	CX-NDS50
X	MICON	R 0955	88-108-104-080	0E	C-RES,U 100K-1/16W J	USM	CX-NDS55
X	MICON	R 0956	88-108-104-080	0E	C-RES,U 100K-1/16W J	USM	CX-NDS50
X	MICON	R 0956	88-108-104-080	0E	C-RES,U 100K-1/16W J	USM	CX-NDS55
X	MICON	R 0957	88-108-104-080	0E	C-RES,U 100K-1/16W J	USM	CX-NDS50
X	MICON	R 0957	88-108-104-080	0E	C-RES,U 100K-1/16W J	USM	CX-NDS55
X	MICON	R 0958	88-108-104-080	0E	C-RES,U 100K-1/16W J	USM	CX-NDS50
X	MICON	R 0958	88-108-104-080	0E	C-RES,U 100K-1/16W J	USM	CX-NDS55
X	MICON	R 0961	88-108-181-080	0E	C-RES,U 180-1/16W J	USM	CX-NDS50
X	MICON	R 0961	88-108-181-080	0E	C-RES,U 180-1/16W J	USM	CX-NDS55
X	MICON	R 0963	88-108-563-080	0E	C-RES,U 56K-1/16W J	USM	CX-NDS50
X	MICON	R 0963	88-108-563-080	0E	C-RES,U 56K-1/16W J	USM	CX-NDS55
X	MICON	R 0964	88-108-104-080	0E	C-RES,U 100K-1/16W J	USM	CX-NDS50
X	MICON	R 0964	88-108-104-080	0E	C-RES,U 100K-1/16W J	USM	CX-NDS55
X	MICON	R 0965	88-108-103-080	0E	C-RES,U 10K-1/16W J	USM	CX-NDS50
X	MICON	R 0965	88-108-103-080	0E	C-RES,U 10K-1/16W J	USM	CX-NDS55
X	MICON	R 0966	88-108-103-080	0E	C-RES,U 10K-1/16W J	USM	CX-NDS50
X	MICON	R 0966	88-108-103-080	0E	C-RES,U 10K-1/16W J	USM	CX-NDS55
X	MICON	R 0967	88-108-103-080	0E	C-RES,U 10K-1/16W J	USM	CX-NDS50
X	MICON	R 0967	88-108-103-080	0E	C-RES,U 10K-1/16W J	USM	CX-NDS55
O	MICON	S 0321	87-A90-095-080	0E	SW,TACT EVQ11G04M	USM	CX-NDS50
O	MICON	S 0321	87-A90-095-080	0E	SW,TACT EVQ11G04M	USM	CX-NDS55
O	MICON	S 0322	87-A90-095-080	0E	SW,TACT EVQ11G04M	USM	CX-NDS50
O	MICON	S 0322	87-A90-095-080	0E	SW,TACT EVQ11G04M	USM	CX-NDS55
O	MICON	S 0323	87-A90-095-080	0E	SW,TACT EVQ11G04M	USM	CX-NDS50
O	MICON	S 0323	87-A90-095-080	0E	SW,TACT EVQ11G04M	USM	CX-NDS55
O	MICON	S 0324	87-A90-095-080	0E	SW,TACT EVQ11G04M	USM	CX-NDS50
O	MICON	S 0324	87-A90-095-080	0E	SW,TACT EVQ11G04M	USM	CX-NDS55
O	MICON	S 0325	87-A90-095-080	0E	SW,TACT EVQ11G04M	USM	CX-NDS50
O	MICON	S 0325	87-A90-095-080	0E	SW,TACT EVQ11G04M	USM	CX-NDS55
O	MICON	S 0326	87-A90-095-080	0E	SW,TACT EVQ11G04M	USM	CX-NDS50
O	MICON	S 0326	87-A90-095-080	0E	SW,TACT EVQ11G04M	USM	CX-NDS55
O	MICON	S 0327	87-A90-095-080	0E	SW,TACT EVQ11G04M	USM	CX-NDS50
O	MICON	S 0327	87-A90-095-080	0E	SW,TACT EVQ11G04M	USM	CX-NDS55
O	MICON	S 0328	87-A90-095-080	0E	SW,TACT EVQ11G04M	USM	CX-NDS50
O	MICON	S 0328	87-A90-095-080	0E	SW,TACT EVQ11G04M	USM	CX-NDS55
O	MICON	S 0329	87-A90-095-080	0E	SW,TACT EVQ11G04M	USM	CX-NDS50
O	MICON	S 0329	87-A90-095-080	0E	SW,TACT EVQ11G04M	USM	CX-NDS55
O	MICON	S 0330	87-A90-095-080	0E	SW,TACT EVQ11G04M	USM	CX-NDS50
O	MICON	S 0330	87-A90-095-080	0E	SW,TACT EVQ11G04M	USM	CX-NDS55
O	MICON	S 0331	87-A90-095-080	0E	SW,TACT EVQ11G04M	USM	CX-NDS50
O	MICON	S 0331	87-A90-095-080	0E	SW,TACT EVQ11G04M	USM	CX-NDS55
O	MICON	S 0332	87-A90-095-080	0E	SW,TACT EVQ11G04M	USM	CX-NDS50
O	MICON	S 0332	87-A90-095-080	0E	SW,TACT EVQ11G04M	USM	CX-NDS55
O	MICON	S 0333	87-A90-095-080	0E	SW,TACT EVQ11G04M	USM	CX-NDS50
O	MICON	S 0333	87-A90-095-080	0E	SW,TACT EVQ11G04M	USM	CX-NDS55
O	MICON	S 0334	87-A90-095-080	0E	SW,TACT EVQ11G04M	USM	CX-NDS50
O	MICON	S 0334	87-A90-095-080	0E	SW,TACT EVQ11G04M	USM	CX-NDS55

PARTS LIST

! = Δ SAFTY PARTS
 C = Components marked

All components used on this model at the production line are shown in this service manual.

However, please note that not all components will be available as spare parts for after-sales service.

Components marked S and O are designated as spare parts for service and will be stocked at the spare parts centers.

Components marked X and R are not designated as spare parts for after sales service, and will not be stocked at the spare parts centers.

K NO. = Only use Japanese.

! C	UNIT NAME	REF NO.	PARTS CODE	K NO.	DESCRIPTION	SUFFIX	MODEL NAME
O	MICON	S 0335	87-A90-095-080	0E	SW, TACT EVQ11G04M	USM	CX-NDS50
O	MICON	S 0335	87-A90-095-080	0E	SW, TACT EVQ11G04M	USM	CX-NDS55
O	MICON	S 0341	87-A90-095-080	0E	SW, TACT EVQ11G04M	USM	CX-NDS50
O	MICON	S 0341	87-A90-095-080	0E	SW, TACT EVQ11G04M	USM	CX-NDS55
O	MICON	S 0342	87-A90-095-080	0E	SW, TACT EVQ11G04M	USM	CX-NDS50
O	MICON	S 0342	87-A90-095-080	0E	SW, TACT EVQ11G04M	USM	CX-NDS55
O	MICON	S 0343	87-A90-095-080	0E	SW, TACT EVQ11G04M	USM	CX-NDS50
O	MICON	S 0343	87-A90-095-080	0E	SW, TACT EVQ11G04M	USM	CX-NDS55
O	MICON	S 0344	87-A90-095-080	0E	SW, TACT EVQ11G04M	USM	CX-NDS50
O	MICON	S 0344	87-A90-095-080	0E	SW, TACT EVQ11G04M	USM	CX-NDS55
O	MICON	S 0345	87-A90-095-080	0E	SW, TACT EVQ11G04M	USM	CX-NDS50
O	MICON	S 0345	87-A90-095-080	0E	SW, TACT EVQ11G04M	USM	CX-NDS55
O	MICON	S 0346	87-A90-095-080	0E	SW, TACT EVQ11G04M	USM	CX-NDS50
O	MICON	S 0346	87-A90-095-080	0E	SW, TACT EVQ11G04M	USM	CX-NDS55
O	MICON	S 0347	87-A90-095-080	0E	SW, TACT EVQ11G04M	USM	CX-NDS50
O	MICON	S 0347	87-A90-095-080	0E	SW, TACT EVQ11G04M	USM	CX-NDS55
O	MICON	S 0348	87-A90-095-080	0E	SW, TACT EVQ11G04M	USM	CX-NDS50
O	MICON	S 0348	87-A90-095-080	0E	SW, TACT EVQ11G04M	USM	CX-NDS55
O	MICON	S 0349	87-A90-095-080	0E	SW, TACT EVQ11G04M	USM	CX-NDS50
O	MICON	S 0349	87-A90-095-080	0E	SW, TACT EVQ11G04M	USM	CX-NDS55
O	MICON	S 0361	87-A92-172-010	1A	SW, RTRY EC12E24204-25MM OFF	USM	CX-NDS50
O	MICON	S 0361	87-A92-172-010	1A	SW, RTRY EC12E24204-25MM OFF	USM	CX-NDS55
O	MICON	S 0371	87-A92-057-010	1A	SW, RTRY EC12E12504-25MM OFF	USM	CX-NDS50
O	MICON	S 0371	87-A92-057-010	1A	SW, RTRY EC12E12504-25MM OFF	USM	CX-NDS55
!	X OTHERS		82-JT1-206-010	0E	CLOTH, 15-50-0.5	USM	CX-NDS50
!	X OTHERS		82-JT1-206-010	0E	CLOTH, 15-50-0.5	USM	CX-NDS55
!	O OTHERS		82-NF5-229-010	0E	PLATE, LOCK (*)	USM	CX-NDS50
!	O OTHERS		82-NF5-229-010	0E	PLATE, LOCK (*)	USM	CX-NDS55
O	OTHERS		86-NF9-224-010	0E	SPR-C, LOCK	USM	CX-NDS50
O	OTHERS		86-NF9-224-010	0E	SPR-C, LOCK	USM	CX-NDS55
X	OTHERS		87-064-080-010	0E	BINDER, WIRE	USM	CX-NDS50
X	OTHERS		87-064-080-010	0E	BINDER, WIRE	USM	CX-NDS55
O	OTHERS		87-064-185-010	0E	HLDR, WIRE PVC 0.5	USM	CX-NDS50
O	OTHERS		87-064-185-010	0E	HLDR, WIRE PVC 0.5	USM	CX-NDS55
O	OTHERS		87-084-079-010	0E	RIVET, NYL 4-5	USM	CX-NDS50
O	OTHERS		87-084-079-010	0E	RIVET, NYL 4-5	USM	CX-NDS55
X	OTHERS		87-NB7-206-010	0E	CLOTH, 75-15-0.35	USM	CX-NDS50
X	OTHERS		87-NB7-206-010	0E	CLOTH, 75-15-0.35	USM	CX-NDS55
!	O OTHERS		87-NF4-216-010	0E	HLDR, LOCK 1	USM	CX-NDS50
!	O OTHERS		87-NF4-216-010	0E	HLDR, LOCK 1	USM	CX-NDS55
!	O OTHERS		87-NF4-217-110	0E	HLDR, LOCK 2	USM	CX-NDS50
!	O OTHERS		87-NF4-217-110	0E	HLDR, LOCK 2	USM	CX-NDS55
X	OTHERS		87-NF4-218-010	0E	PLATE, EARTH MECHA	USM	CX-NDS50
X	OTHERS		87-NF4-218-010	0E	PLATE, EARTH MECHA	USM	CX-NDS55
!	O OTHERS		8A-DB8-209-010	0E	HLDR, PWB PT	USM	CX-NDS50
!	O OTHERS		8A-DB8-209-010	0E	HLDR, PWB PT	USM	CX-NDS55
O	OTHERS		8A-NF7-251-010	0E	W, 3.2-8-0.45	USM	CX-NDS50
O	OTHERS		8A-NF7-251-010	0E	W, 3.2-8-0.45	USM	CX-NDS55
!	O OTHERS		8A-NF8-206-010	0E	HLDR, PWB M	USM	CX-NDS50
!	O OTHERS		8A-NF8-206-010	0E	HLDR, PWB M	USM	CX-NDS55
O	OTHERS		8A-NF8-281-010	0E	SPR-T, EJECT 1	USM	CX-NDS50
O	OTHERS		8A-NF8-281-010	0E	SPR-T, EJECT 1	USM	CX-NDS55
O	OTHERS		8A-NF8-282-010	0E	SPR-T, EJECT 2	USM	CX-NDS50
O	OTHERS		8A-NF8-282-010	0E	SPR-T, EJECT 2	USM	CX-NDS55
O	OTHERS		8A-NHZ-021-010	0E	FOOT, H2O	USM	CX-NDS50
O	OTHERS		8A-NHZ-021-010	0E	FOOT, H2O	USM	CX-NDS55
X	OTHERS		8B-NCK-201-110	1H	HT-SINK, S	USM	CX-NDS50
X	OTHERS		8B-NCK-201-110	1H	HT-SINK, S	USM	CX-NDS55
O	OTHERS		8B-NCK-202-010	1A	HLDR, PWB DD	USM	CX-NDS50
O	OTHERS		8B-NCK-202-010	1A	HLDR, PWB DD	USM	CX-NDS55
!	X OTHERS		8B-NCK-203-110	0E	SH, TR VM	USM	CX-NDS50
!	X OTHERS		8B-NCK-203-110	0E	SH, TR VM	USM	CX-NDS55
X	OTHERS		8B-NCK-204-010	1A	HT-SINK, FIN T2	USM	CX-NDS50
X	OTHERS		8B-NCK-204-010	1A	HT-SINK, FIN T2	USM	CX-NDS55
X	OTHERS		8B-NCK-205-010	1A	PLATE, SHLD PT 2T	USM	CX-NDS50
X	OTHERS		8B-NCK-205-010	1A	PLATE, SHLD PT 2T	USM	CX-NDS55
O	OTHERS		8B-NCK-206-010	1B	HLDR, TR 1	USM	CX-NDS50
O	OTHERS		8B-NCK-206-010	1B	HLDR, TR 1	USM	CX-NDS55
O	OTHERS		8B-NCK-208-010	1B	HLDR, TR AMP	USM	CX-NDS50
O	OTHERS		8B-NCK-208-010	1B	HLDR, TR AMP	USM	CX-NDS55

PARTS LIST

! = Δ SAFTY PARTS
 C = Components marked

All components used on this model at the production line are shown in this service manual.

However, please note that not all components will be available as spare parts for after-sales service.

Components marked S and O are designated as spare parts for service and will be stocked at the spare parts centers.

Components marked X and R are not designated as spare parts for after sales service, and will not be stocked at the spare parts centers.

K NO. = Only use Japanese.

! C	UNIT NAME	REF NO.	PARTS CODE	K NO.	DESCRIPTION	SUFFIX	MODEL NAME
O	OTHERS		8B-NCK-209-010	0E	HLDR, PWB AMP	USM	CX-NDS50
O	OTHERS		8B-NCK-209-010	0E	HLDR, PWB AMP	USM	CX-NDS55
O	OTHERS		8B-NCK-210-010	0E	HLDR, TR AMP ST	USM	CX-NDS50
O	OTHERS		8B-NCK-210-010	0E	HLDR, TR AMP ST	USM	CX-NDS55
O	OTHERS		8B-NF7-235-010	0E	HLDR, PWB PNRM R	USM	CX-NDS50
O	OTHERS		8B-NF7-235-010	0E	HLDR, PWB PNRM R	USM	CX-NDS55
O	OTHERS		8B-NF7-236-010	0E	HLDR, PWB PNRM F	USM	CX-NDS50
O	OTHERS		8B-NF7-236-010	0E	HLDR, PWB PNRM F	USM	CX-NDS55
X	OTHERS		8B-NF9-204-010	0E	CUSH, 11-8.5-2	USM	CX-NDS50
X	OTHERS		8B-NF9-204-010	0E	CUSH, 11-8.5-2	USM	CX-NDS55
!	O OTHERS		8Z-NF6-210-010	0E	DMPR, 150 N	USM	CX-NDS50
!	O OTHERS		8Z-NF6-210-010	0E	DMPR, 150 N	USM	CX-NDS55
X	P-SUPPLY/PWB/FAN		8B-NCK-634-010	--	PWB, FAN	USM	CX-NDS50
X	P-SUPPLY/PWB/FAN		8B-NCK-634-010	--	PWB, FAN	USM	CX-NDS55
X	P-SUPPLY/PWB/FAN		8B-NCK-635-010	--	PWB, VM	USM	CX-NDS50
X	P-SUPPLY/PWB/FAN		8B-NCK-635-010	--	PWB, VM	USM	CX-NDS55
X	P-SUPPLY/PWB/FAN	*	8B-NCK-630-010	1E	PWB, COMB MAIN (PRO)	USM	CX-NDS50
X	P-SUPPLY/PWB/FAN	*	8B-NCK-630-010	1E	PWB, COMB MAIN (PRO)	USM	CX-NDS55
X	P-SUPPLY/PWB/FAN	*	8B-NCK-631-010	--	PWB, MAIN	USM	CX-NDS50
X	P-SUPPLY/PWB/FAN	*	8B-NCK-631-010	--	PWB, MAIN	USM	CX-NDS55
O	P-SUPPLY/PWB/FAN	C 0005	87-012-368-080	0E	C-CAP, S 0.1-50 Z F	USM	CX-NDS50
O	P-SUPPLY/PWB/FAN	C 0005	87-012-368-080	0E	C-CAP, S 0.1-50 Z F	USM	CX-NDS55
O	P-SUPPLY/PWB/FAN	C 0006	87-012-368-080	0E	C-CAP, S 0.1-50 Z F	USM	CX-NDS50
O	P-SUPPLY/PWB/FAN	C 0006	87-012-368-080	0E	C-CAP, S 0.1-50 Z F	USM	CX-NDS55
O	P-SUPPLY/PWB/FAN	C 0007	87-012-368-080	0E	C-CAP, S 0.1-50 Z F	USM	CX-NDS50
O	P-SUPPLY/PWB/FAN	C 0007	87-012-368-080	0E	C-CAP, S 0.1-50 Z F	USM	CX-NDS55
O	P-SUPPLY/PWB/FAN	C 0008	87-012-368-080	0E	C-CAP, S 0.1-50 Z F	USM	CX-NDS50
O	P-SUPPLY/PWB/FAN	C 0008	87-012-368-080	0E	C-CAP, S 0.1-50 Z F	USM	CX-NDS55
O	P-SUPPLY/PWB/FAN	C 0009	87-012-368-080	0E	C-CAP, S 0.1-50 Z F	USM	CX-NDS50
O	P-SUPPLY/PWB/FAN	C 0009	87-012-368-080	0E	C-CAP, S 0.1-50 Z F	USM	CX-NDS55
O	P-SUPPLY/PWB/FAN	C 0010	87-012-368-080	0E	C-CAP, S 0.1-50 Z F	USM	CX-NDS50
O	P-SUPPLY/PWB/FAN	C 0010	87-012-368-080	0E	C-CAP, S 0.1-50 Z F	USM	CX-NDS55
O	P-SUPPLY/PWB/FAN	C 0011	87-012-368-080	0E	C-CAP, S 0.1-50 Z F	USM	CX-NDS50
O	P-SUPPLY/PWB/FAN	C 0011	87-012-368-080	0E	C-CAP, S 0.1-50 Z F	USM	CX-NDS55
O	P-SUPPLY/PWB/FAN	C 0012	87-012-368-080	0E	C-CAP, S 0.1-50 Z F	USM	CX-NDS50
O	P-SUPPLY/PWB/FAN	C 0012	87-012-368-080	0E	C-CAP, S 0.1-50 Z F	USM	CX-NDS55
O	P-SUPPLY/PWB/FAN	C 0021	87-A12-780-090	1B	CAP, E 4700-35 M 85 SKR	USM	CX-NDS50
O	P-SUPPLY/PWB/FAN	C 0021	87-A12-780-090	1B	CAP, E 4700-35 M 85 SKR	USM	CX-NDS55
O	P-SUPPLY/PWB/FAN	C 0022	87-A12-780-090	1B	CAP, E 4700-35 M 85 SKR	USM	CX-NDS50
O	P-SUPPLY/PWB/FAN	C 0022	87-A12-780-090	1B	CAP, E 4700-35 M 85 SKR	USM	CX-NDS55
O	P-SUPPLY/PWB/FAN	C 0023	87-A12-779-090	1B	CAP, E 3300-50 M 85 SKR	USM	CX-NDS50
O	P-SUPPLY/PWB/FAN	C 0023	87-A12-779-090	1B	CAP, E 3300-50 M 85 SKR	USM	CX-NDS55
O	P-SUPPLY/PWB/FAN	C 0024	87-A12-779-090	1B	CAP, E 3300-50 M 85 SKR	USM	CX-NDS50
O	P-SUPPLY/PWB/FAN	C 0024	87-A12-779-090	1B	CAP, E 3300-50 M 85 SKR	USM	CX-NDS55
O	P-SUPPLY/PWB/FAN	C 0025	87-A12-095-080	0E	CAP, E 100-50 SMG	USM	CX-NDS50
O	P-SUPPLY/PWB/FAN	C 0025	87-A12-095-080	0E	CAP, E 100-50 SMG	USM	CX-NDS55
O	P-SUPPLY/PWB/FAN	C 0026	87-A12-095-080	0E	CAP, E 100-50 SMG	USM	CX-NDS50
O	P-SUPPLY/PWB/FAN	C 0026	87-A12-095-080	0E	CAP, E 100-50 SMG	USM	CX-NDS55
O	P-SUPPLY/PWB/FAN	C 0027	87-A12-095-080	0E	CAP, E 100-50 SMG	USM	CX-NDS50
O	P-SUPPLY/PWB/FAN	C 0027	87-A12-095-080	0E	CAP, E 100-50 SMG	USM	CX-NDS55
O	P-SUPPLY/PWB/FAN	C 0028	87-A12-095-080	0E	CAP, E 100-50 SMG	USM	CX-NDS50
O	P-SUPPLY/PWB/FAN	C 0028	87-A12-095-080	0E	CAP, E 100-50 SMG	USM	CX-NDS55
O	P-SUPPLY/PWB/FAN	C 0030	87-010-430-080	0E	CAP, E 100-63	USM	CX-NDS50
O	P-SUPPLY/PWB/FAN	C 0030	87-010-430-080	0E	CAP, E 100-63	USM	CX-NDS55
O	P-SUPPLY/PWB/FAN	C 0031	87-A12-062-080	0E	CAP, E 100-10 SMG	USM	CX-NDS50
O	P-SUPPLY/PWB/FAN	C 0031	87-A12-062-080	0E	CAP, E 100-10 SMG	USM	CX-NDS55
O	P-SUPPLY/PWB/FAN	C 0032	87-012-286-080	0E	C-CAP, U 0.01-25 K B	USM	CX-NDS50
O	P-SUPPLY/PWB/FAN	C 0032	87-012-286-080	0E	C-CAP, U 0.01-25 K B	USM	CX-NDS55
O	P-SUPPLY/PWB/FAN	C 0033	87-A12-062-080	0E	CAP, E 100-10 SMG	USM	CX-NDS50
O	P-SUPPLY/PWB/FAN	C 0033	87-A12-062-080	0E	CAP, E 100-10 SMG	USM	CX-NDS55
O	P-SUPPLY/PWB/FAN	C 0034	87-A12-095-080	0E	CAP, E 100-50 SMG	USM	CX-NDS50
O	P-SUPPLY/PWB/FAN	C 0034	87-A12-095-080	0E	CAP, E 100-50 SMG	USM	CX-NDS55
O	P-SUPPLY/PWB/FAN	C 0035	87-A12-076-080	--	CAP, E 22-35 SMG	USM	CX-NDS50
O	P-SUPPLY/PWB/FAN	C 0035	87-A12-076-080	--	CAP, E 22-35 SMG	USM	CX-NDS55
O	P-SUPPLY/PWB/FAN	C 0036	87-A12-068-080	0E	CAP, E 470-16 SMG	USM	CX-NDS50
O	P-SUPPLY/PWB/FAN	C 0036	87-A12-068-080	0E	CAP, E 470-16 SMG	USM	CX-NDS55
O	P-SUPPLY/PWB/FAN	C 0040	87-012-286-080	0E	C-CAP, U 0.01-25 K B	USM	CX-NDS50
O	P-SUPPLY/PWB/FAN	C 0040	87-012-286-080	0E	C-CAP, U 0.01-25 K B	USM	CX-NDS55
O	P-SUPPLY/PWB/FAN	C 0060	87-A12-089-080	0E	CAP, E 3.3-50 SMG	USM	CX-NDS50
O	P-SUPPLY/PWB/FAN	C 0060	87-A12-089-080	0E	CAP, E 3.3-50 SMG	USM	CX-NDS55

PARTS LIST

! = Δ SAFTY PARTS
 C = Components marked

All components used on this model at the production line are shown in this service manual.

However, please note that not all components will be available as spare parts for after-sales service.

Components marked S and O are designated as spare parts for service and will be stocked at the spare parts centers.

Components marked X and R are not designated as spare parts for after sales service, and will not be stocked at the spare parts centers.

K NO. = Only use Japanese.

! C	UNIT NAME	REF NO.	PARTS CODE	K NO.	DESCRIPTION	SUFFIX	MODEL NAME
O	P-SUPPLY/PWB/FAN	C 0063	87-A12-071-080	0E	CAP,E 47-25 SMG	USM	CX-NDS50
O	P-SUPPLY/PWB/FAN	C 0063	87-A12-071-080	0E	CAP,E 47-25 SMG	USM	CX-NDS55
O	P-SUPPLY/PWB/FAN	C 0081	87-A10-918-080	0E	CAP,E 100-16 SMG	USM	CX-NDS50
O	P-SUPPLY/PWB/FAN	C 0081	87-A10-918-080	0E	CAP,E 100-16 SMG	USM	CX-NDS55
O	P-SUPPLY/PWB/FAN	C 0097	87-010-831-080	0E	C-CAP,U 0.1-16 Z F	USM	CX-NDS50
O	P-SUPPLY/PWB/FAN	C 0097	87-010-831-080	0E	C-CAP,U 0.1-16 Z F	USM	CX-NDS55
O	P-SUPPLY/PWB/FAN	C 0180	87-A12-087-080	0E	CAP,E 1-50 SMG	USM	CX-NDS50
O	P-SUPPLY/PWB/FAN	C 0180	87-A12-087-080	0E	CAP,E 1-50 SMG	USM	CX-NDS55
O	P-SUPPLY/PWB/FAN	C 0181	87-010-379-080	0E	CAP,E 22-16 M 11L SME	USM	CX-NDS50
O	P-SUPPLY/PWB/FAN	C 0181	87-010-379-080	0E	CAP,E 22-16 M 11L SME	USM	CX-NDS55
O	P-SUPPLY/PWB/FAN	C 0182	87-A12-071-080	0E	CAP,E 47-25 SMG	USM	CX-NDS50
O	P-SUPPLY/PWB/FAN	C 0182	87-A12-071-080	0E	CAP,E 47-25 SMG	USM	CX-NDS55
!	O P-SUPPLY/PWB/FAN	CN 0105	87-099-195-010	0E	CONN,7P V BLK 6216	USM	CX-NDS50
!	O P-SUPPLY/PWB/FAN	CN 0105	87-099-195-010	0E	CONN,7P V BLK 6216	USM	CX-NDS55
O	P-SUPPLY/PWB/FAN	CN 0181	87-A60-619-010	0E	CONN,2P V 2MM JMT	USM	CX-NDS50
O	P-SUPPLY/PWB/FAN	CN 0181	87-A60-619-010	0E	CONN,2P V 2MM JMT	USM	CX-NDS55
!	O P-SUPPLY/PWB/FAN	CN 0183	87-099-564-010	0E	CONN,4P V TUC-P4P-B1	USM	CX-NDS50
!	O P-SUPPLY/PWB/FAN	CN 0183	87-099-564-010	0E	CONN,4P V TUC-P4P-B1	USM	CX-NDS55
O	P-SUPPLY/PWB/FAN	CN 0184	87-A60-688-010	0E	CONN,4P H GRY TUC-P04X-C1	USM	CX-NDS50
O	P-SUPPLY/PWB/FAN	CN 0184	87-A60-688-010	0E	CONN,4P H GRY TUC-P04X-C1	USM	CX-NDS55
!	O P-SUPPLY/PWB/FAN	CNA0001	8A-NF6-646-010	1A	CONN ASSY,9P TID-A(460)	USM	CX-NDS50
!	O P-SUPPLY/PWB/FAN	CNA0001	8A-NF6-646-010	1A	CONN ASSY,9P TID-A(460)	USM	CX-NDS55
O	P-SUPPLY/PWB/FAN	CNA0004	8B-NCK-610-010	0E	CONN ASSY,3P BNC-K	USM	CX-NDS50
O	P-SUPPLY/PWB/FAN	CNA0004	8B-NCK-610-010	0E	CONN ASSY,3P BNC-K	USM	CX-NDS55
O	P-SUPPLY/PWB/FAN	CNA0102	8B-NCK-609-010	1A	CONN ASSY,7P TID-A(130)	USM	CX-NDS50
O	P-SUPPLY/PWB/FAN	CNA0102	8B-NCK-609-010	1A	CONN ASSY,7P TID-A(130)	USM	CX-NDS55
S	P-SUPPLY/PWB/FAN	D 0001	87-A40-839-090	1A	DIODE,G5SBA60L-6088	USM	CX-NDS50
S	P-SUPPLY/PWB/FAN	D 0001	87-A40-839-090	1A	DIODE,G5SBA60L-6088	USM	CX-NDS55
S	P-SUPPLY/PWB/FAN	D 0010	87-A40-838-090	1A	DIODE,G3SBA60L-6088	USM	CX-NDS50
S	P-SUPPLY/PWB/FAN	D 0010	87-A40-838-090	1A	DIODE,G3SBA60L-6088	USM	CX-NDS55
S	P-SUPPLY/PWB/FAN	D 0025	87-A40-553-080	0E	DIODE,1N4003 LES	USM	CX-NDS50
S	P-SUPPLY/PWB/FAN	D 0025	87-A40-553-080	0E	DIODE,1N4003 LES	USM	CX-NDS55
S	P-SUPPLY/PWB/FAN	D 0026	87-A40-553-080	0E	DIODE,1N4003 LES	USM	CX-NDS50
S	P-SUPPLY/PWB/FAN	D 0026	87-A40-553-080	0E	DIODE,1N4003 LES	USM	CX-NDS55
S	P-SUPPLY/PWB/FAN	D 0027	87-A40-553-080	0E	DIODE,1N4003 LES	USM	CX-NDS50
S	P-SUPPLY/PWB/FAN	D 0027	87-A40-553-080	0E	DIODE,1N4003 LES	USM	CX-NDS55
S	P-SUPPLY/PWB/FAN	D 0028	87-A40-553-080	0E	DIODE,1N4003 LES	USM	CX-NDS50
S	P-SUPPLY/PWB/FAN	D 0028	87-A40-553-080	0E	DIODE,1N4003 LES	USM	CX-NDS55
S	P-SUPPLY/PWB/FAN	D 0029	87-A40-778-080	0E	ZENER,UZ30BSD	USM	CX-NDS50
S	P-SUPPLY/PWB/FAN	D 0029	87-A40-778-080	0E	ZENER,UZ30BSD	USM	CX-NDS55
S	P-SUPPLY/PWB/FAN	D 0030	87-A40-291-080	0E	DIODE,1N4148M (CPT)	USM	CX-NDS50
S	P-SUPPLY/PWB/FAN	D 0030	87-A40-291-080	0E	DIODE,1N4148M (CPT)	USM	CX-NDS55
S	P-SUPPLY/PWB/FAN	D 0031	87-A40-764-080	0E	ZENER,UZ10BSC	USM	CX-NDS50
S	P-SUPPLY/PWB/FAN	D 0031	87-A40-764-080	0E	ZENER,UZ10BSC	USM	CX-NDS55
S	P-SUPPLY/PWB/FAN	D 0033	87-A40-553-080	0E	DIODE,1N4003 LES	USM	CX-NDS50
S	P-SUPPLY/PWB/FAN	D 0033	87-A40-553-080	0E	DIODE,1N4003 LES	USM	CX-NDS55
S	P-SUPPLY/PWB/FAN	D 0034	87-A40-291-080	0E	DIODE,1N4148M (CPT)	USM	CX-NDS50
S	P-SUPPLY/PWB/FAN	D 0034	87-A40-291-080	0E	DIODE,1N4148M (CPT)	USM	CX-NDS55
S	P-SUPPLY/PWB/FAN	D 0036	87-A40-291-080	0E	DIODE,1N4148M (CPT)	USM	CX-NDS50
S	P-SUPPLY/PWB/FAN	D 0036	87-A40-291-080	0E	DIODE,1N4148M (CPT)	USM	CX-NDS55
S	P-SUPPLY/PWB/FAN	D 0037	87-A40-291-080	0E	DIODE,1N4148M (CPT)	USM	CX-NDS50
S	P-SUPPLY/PWB/FAN	D 0037	87-A40-291-080	0E	DIODE,1N4148M (CPT)	USM	CX-NDS55
S	P-SUPPLY/PWB/FAN	D 0041	87-A40-270-080	0E	C-DIODE,MC2838	USM	CX-NDS50
S	P-SUPPLY/PWB/FAN	D 0041	87-A40-270-080	0E	C-DIODE,MC2838	USM	CX-NDS55
S	P-SUPPLY/PWB/FAN	D 0042	87-A40-269-080	0E	C-DIODE,MC2836	USM	CX-NDS50
S	P-SUPPLY/PWB/FAN	D 0042	87-A40-269-080	0E	C-DIODE,MC2836	USM	CX-NDS55
S	P-SUPPLY/PWB/FAN	D 0060	87-A40-291-080	0E	DIODE,1N4148M (CPT)	USM	CX-NDS50
S	P-SUPPLY/PWB/FAN	D 0060	87-A40-291-080	0E	DIODE,1N4148M (CPT)	USM	CX-NDS55
S	P-SUPPLY/PWB/FAN	D 0063	87-A40-270-080	0E	C-DIODE,MC2838	USM	CX-NDS50
S	P-SUPPLY/PWB/FAN	D 0063	87-A40-270-080	0E	C-DIODE,MC2838	USM	CX-NDS55
S	P-SUPPLY/PWB/FAN	D 0064	87-A40-269-080	0E	C-DIODE,MC2836	USM	CX-NDS50
S	P-SUPPLY/PWB/FAN	D 0064	87-A40-269-080	0E	C-DIODE,MC2836	USM	CX-NDS55
S	P-SUPPLY/PWB/FAN	D 0069	87-A40-270-080	0E	C-DIODE,MC2838	USM	CX-NDS50
S	P-SUPPLY/PWB/FAN	D 0069	87-A40-270-080	0E	C-DIODE,MC2838	USM	CX-NDS55
S	P-SUPPLY/PWB/FAN	D 0070	87-A40-269-080	0E	C-DIODE,MC2836	USM	CX-NDS50
S	P-SUPPLY/PWB/FAN	D 0070	87-A40-269-080	0E	C-DIODE,MC2836	USM	CX-NDS55
S	P-SUPPLY/PWB/FAN	D 0076	87-A40-269-080	0E	C-DIODE,MC2836	USM	CX-NDS50
S	P-SUPPLY/PWB/FAN	D 0076	87-A40-269-080	0E	C-DIODE,MC2836	USM	CX-NDS55
S	P-SUPPLY/PWB/FAN	D 0077	87-A40-270-080	0E	C-DIODE,MC2838	USM	CX-NDS50
S	P-SUPPLY/PWB/FAN	D 0077	87-A40-270-080	0E	C-DIODE,MC2838	USM	CX-NDS55

PARTS LIST

! = Δ SAFTY PARTS
 C = Components marked

All components used on this model at the production line are shown in this service manual.

However, please note that not all components will be available as spare parts for after-sales service.

Components marked S and O are designated as spare parts for service and will be stocked at the spare parts centers.

Components marked X and R are not designated as spare parts for after sales service, and will not be stocked at the spare parts centers.

K NO. = Only use Japanese.

! C	UNIT NAME	REF NO.	PARTS CODE	K NO.	DESCRIPTION	SUFFIX	MODEL NAME
S	P-SUPPLY/PWB/FAN	D 0080	87-A40-291-080	0E	DIODE,1N4148M (CPT)	USM	CX-NDS50
S	P-SUPPLY/PWB/FAN	D 0080	87-A40-291-080	0E	DIODE,1N4148M (CPT)	USM	CX-NDS55
S	P-SUPPLY/PWB/FAN	D 0081	87-A40-291-080	0E	DIODE,1N4148M (CPT)	USM	CX-NDS50
S	P-SUPPLY/PWB/FAN	D 0081	87-A40-291-080	0E	DIODE,1N4148M (CPT)	USM	CX-NDS55
S	P-SUPPLY/PWB/FAN	D 0181	87-A40-291-080	0E	DIODE,1N4148M (CPT)	USM	CX-NDS50
S	P-SUPPLY/PWB/FAN	D 0181	87-A40-291-080	0E	DIODE,1N4148M (CPT)	USM	CX-NDS55
S	P-SUPPLY/PWB/FAN	D 0182	87-A40-291-080	0E	DIODE,1N4148M (CPT)	USM	CX-NDS50
S	P-SUPPLY/PWB/FAN	D 0182	87-A40-291-080	0E	DIODE,1N4148M (CPT)	USM	CX-NDS55
X	P-SUPPLY/PWB/FAN	JR 0001	88-108-000-080	0E	C-JUMPER,U	USM	CX-NDS50
X	P-SUPPLY/PWB/FAN	JR 0001	88-108-000-080	0E	C-JUMPER,U	USM	CX-NDS55
X	P-SUPPLY/PWB/FAN	JR 0010	88-108-000-080	0E	C-JUMPER,U	USM	CX-NDS50
X	P-SUPPLY/PWB/FAN	JR 0010	88-108-000-080	0E	C-JUMPER,U	USM	CX-NDS55
X	P-SUPPLY/PWB/FAN	JR 0011	88-108-000-080	0E	C-JUMPER,U	USM	CX-NDS50
X	P-SUPPLY/PWB/FAN	JR 0011	88-108-000-080	0E	C-JUMPER,U	USM	CX-NDS55
X	P-SUPPLY/PWB/FAN	JR 0012	88-108-000-080	0E	C-JUMPER,U	USM	CX-NDS50
X	P-SUPPLY/PWB/FAN	JR 0012	88-108-000-080	0E	C-JUMPER,U	USM	CX-NDS55
X	P-SUPPLY/PWB/FAN	JR 0081	88-129-000-080	0E	C-JUMPER, 3216	USM	CX-NDS50
X	P-SUPPLY/PWB/FAN	JR 0081	88-129-000-080	0E	C-JUMPER, 3216	USM	CX-NDS55
X	P-SUPPLY/PWB/FAN	JR 0117	88-108-000-080	0E	C-JUMPER,U	USM	CX-NDS50
X	P-SUPPLY/PWB/FAN	JR 0117	88-108-000-080	0E	C-JUMPER,U	USM	CX-NDS55
S	P-SUPPLY/PWB/FAN	Q 0001	87-026-609-080	0E	TR,KTA1266GR	USM	CX-NDS50
S	P-SUPPLY/PWB/FAN	Q 0001	87-026-609-080	0E	TR,KTA1266GR	USM	CX-NDS55
S	P-SUPPLY/PWB/FAN	Q 0002	87-026-609-080	0E	TR,KTA1266GR	USM	CX-NDS50
S	P-SUPPLY/PWB/FAN	Q 0002	87-026-609-080	0E	TR,KTA1266GR	USM	CX-NDS55
S	P-SUPPLY/PWB/FAN	Q 0003	87-A30-559-010	1A	TR,CSB1370EF	USM	CX-NDS50
S	P-SUPPLY/PWB/FAN	Q 0003	87-A30-559-010	1A	TR,CSB1370EF	USM	CX-NDS55
S	P-SUPPLY/PWB/FAN	Q 0004	87-A30-559-010	1A	TR,CSB1370EF	USM	CX-NDS50
S	P-SUPPLY/PWB/FAN	Q 0004	87-A30-559-010	1A	TR,CSB1370EF	USM	CX-NDS55
S	P-SUPPLY/PWB/FAN	Q 0005	87-026-610-080	0E	TR,KTC3198GR	USM	CX-NDS50
S	P-SUPPLY/PWB/FAN	Q 0005	87-026-610-080	0E	TR,KTC3198GR	USM	CX-NDS55
S	P-SUPPLY/PWB/FAN	Q 0006	87-A30-076-080	0E	C-TR,2SC3052F	USM	CX-NDS50
S	P-SUPPLY/PWB/FAN	Q 0006	87-A30-076-080	0E	C-TR,2SC3052F	USM	CX-NDS55
S	P-SUPPLY/PWB/FAN	Q 0007	87-A30-075-080	0E	C-TR,2SA1235F	USM	CX-NDS50
S	P-SUPPLY/PWB/FAN	Q 0007	87-A30-075-080	0E	C-TR,2SA1235F	USM	CX-NDS55
S	P-SUPPLY/PWB/FAN	Q 0008	87-A30-075-080	0E	C-TR,2SA1235F	USM	CX-NDS50
S	P-SUPPLY/PWB/FAN	Q 0008	87-A30-075-080	0E	C-TR,2SA1235F	USM	CX-NDS55
S	P-SUPPLY/PWB/FAN	Q 0009	87-A30-495-080	0E	TR,2SA1981Y	USM	CX-NDS50
S	P-SUPPLY/PWB/FAN	Q 0009	87-A30-495-080	0E	TR,2SA1981Y	USM	CX-NDS55
S	P-SUPPLY/PWB/FAN	Q 0010	87-A30-076-080	0E	C-TR,2SC3052F	USM	CX-NDS50
S	P-SUPPLY/PWB/FAN	Q 0010	87-A30-076-080	0E	C-TR,2SC3052F	USM	CX-NDS55
S	P-SUPPLY/PWB/FAN	Q 0013	87-020-903-010	1B	IC,NJM7805FA	USM	CX-NDS50
S	P-SUPPLY/PWB/FAN	Q 0013	87-020-903-010	1B	IC,NJM7805FA	USM	CX-NDS55
S	P-SUPPLY/PWB/FAN	Q 0060	87-A30-076-080	0E	C-TR,2SC3052F	USM	CX-NDS50
S	P-SUPPLY/PWB/FAN	Q 0060	87-A30-076-080	0E	C-TR,2SC3052F	USM	CX-NDS55
S	P-SUPPLY/PWB/FAN	Q 0061	87-A30-075-080	0E	C-TR,2SA1235F	USM	CX-NDS50
S	P-SUPPLY/PWB/FAN	Q 0061	87-A30-075-080	0E	C-TR,2SA1235F	USM	CX-NDS55
S	P-SUPPLY/PWB/FAN	Q 0062	87-A30-076-080	0E	C-TR,2SC3052F	USM	CX-NDS50
S	P-SUPPLY/PWB/FAN	Q 0062	87-A30-076-080	0E	C-TR,2SC3052F	USM	CX-NDS55
S	P-SUPPLY/PWB/FAN	Q 0063	87-A30-075-080	0E	C-TR,2SA1235F	USM	CX-NDS50
S	P-SUPPLY/PWB/FAN	Q 0063	87-A30-075-080	0E	C-TR,2SA1235F	USM	CX-NDS55
S	P-SUPPLY/PWB/FAN	Q 0064	87-A30-076-080	0E	C-TR,2SC3052F	USM	CX-NDS50
S	P-SUPPLY/PWB/FAN	Q 0064	87-A30-076-080	0E	C-TR,2SC3052F	USM	CX-NDS55
S	P-SUPPLY/PWB/FAN	Q 0080	87-A30-075-080	0E	C-TR,2SA1235F	USM	CX-NDS50
S	P-SUPPLY/PWB/FAN	Q 0080	87-A30-075-080	0E	C-TR,2SA1235F	USM	CX-NDS55
S	P-SUPPLY/PWB/FAN	Q 0081	87-026-610-080	0E	TR,KTC3198GR	USM	CX-NDS50
S	P-SUPPLY/PWB/FAN	Q 0081	87-026-610-080	0E	TR,KTC3198GR	USM	CX-NDS55
S	P-SUPPLY/PWB/FAN	Q 0082	87-026-610-080	0E	TR,KTC3198GR	USM	CX-NDS50
S	P-SUPPLY/PWB/FAN	Q 0082	87-026-610-080	0E	TR,KTC3198GR	USM	CX-NDS55
S	P-SUPPLY/PWB/FAN	Q 0083	87-026-610-080	0E	TR,KTC3198GR	USM	CX-NDS50
S	P-SUPPLY/PWB/FAN	Q 0083	87-026-610-080	0E	TR,KTC3198GR	USM	CX-NDS55
S	P-SUPPLY/PWB/FAN	Q 0084	87-A30-075-080	0E	C-TR,2SA1235F	USM	CX-NDS50
S	P-SUPPLY/PWB/FAN	Q 0084	87-A30-075-080	0E	C-TR,2SA1235F	USM	CX-NDS55
S	P-SUPPLY/PWB/FAN	Q 0181	87-A30-076-080	0E	C-TR,2SC3052F	USM	CX-NDS50
S	P-SUPPLY/PWB/FAN	Q 0181	87-A30-076-080	0E	C-TR,2SC3052F	USM	CX-NDS55
S	P-SUPPLY/PWB/FAN	Q 0184	87-A30-494-080	0E	TR,2SA1980G	USM	CX-NDS50
S	P-SUPPLY/PWB/FAN	Q 0184	87-A30-494-080	0E	TR,2SA1980G	USM	CX-NDS55
X	P-SUPPLY/PWB/FAN	R 0001	88-128-109-080	0E	C-RES, 1-1/8W J	USM	CX-NDS50
X	P-SUPPLY/PWB/FAN	R 0001	88-128-109-080	0E	C-RES, 1-1/8W J	USM	CX-NDS55
X	P-SUPPLY/PWB/FAN	R 0002	88-128-109-080	0E	C-RES, 1-1/8W J	USM	CX-NDS50
X	P-SUPPLY/PWB/FAN	R 0002	88-128-109-080	0E	C-RES, 1-1/8W J	USM	CX-NDS55

PARTS LIST

! = Δ SAFTY PARTS
 C = Components marked

All components used on this model at the production line are shown in this service manual.

However, please note that not all components will be available as spare parts for after-sales service.

Components marked S and O are designated as spare parts for service and will be stocked at the spare parts centers.

Components marked X and R are not designated as spare parts for after sales service, and will not be stocked at the spare parts centers.

K NO. = Only use Japanese.

! C	UNIT NAME	REF NO.	PARTS CODE	K NO.	DESCRIPTION	SUFFIX	MODEL NAME
X	P-SUPPLY/PWB/FAN	R 0011	88-108-472-080	OE	C-RES,U 4.7K-1/16W J	USM	CX-NDS50
X	P-SUPPLY/PWB/FAN	R 0011	88-108-472-080	OE	C-RES,U 4.7K-1/16W J	USM	CX-NDS55
X	P-SUPPLY/PWB/FAN	R 0012	88-108-472-080	OE	C-RES,U 4.7K-1/16W J	USM	CX-NDS50
X	P-SUPPLY/PWB/FAN	R 0012	88-108-472-080	OE	C-RES,U 4.7K-1/16W J	USM	CX-NDS55
X	P-SUPPLY/PWB/FAN	R 0013	88-108-472-080	OE	C-RES,U 4.7K-1/16W J	USM	CX-NDS50
X	P-SUPPLY/PWB/FAN	R 0013	88-108-472-080	OE	C-RES,U 4.7K-1/16W J	USM	CX-NDS55
X	P-SUPPLY/PWB/FAN	R 0014	88-108-100-080	OE	C-RES,U 10-1/16W J	USM	CX-NDS50
X	P-SUPPLY/PWB/FAN	R 0014	88-108-100-080	OE	C-RES,U 10-1/16W J	USM	CX-NDS55
X	P-SUPPLY/PWB/FAN	R 0015	88-108-104-080	OE	C-RES,U 100K-1/16W J	USM	CX-NDS50
X	P-SUPPLY/PWB/FAN	R 0015	88-108-104-080	OE	C-RES,U 100K-1/16W J	USM	CX-NDS55
X	P-SUPPLY/PWB/FAN	R 0016	88-108-223-080	OE	C-RES,U 22K-1/16W J	USM	CX-NDS50
X	P-SUPPLY/PWB/FAN	R 0016	88-108-223-080	OE	C-RES,U 22K-1/16W J	USM	CX-NDS55
X	P-SUPPLY/PWB/FAN	R 0017	88-108-000-080	OE	C-JUMPER,U	USM	CX-NDS50
X	P-SUPPLY/PWB/FAN	R 0017	88-108-000-080	OE	C-JUMPER,U	USM	CX-NDS55
X	P-SUPPLY/PWB/FAN	R 0018	88-118-471-080	OE	C-RES,S 470-1/10W J	USM	CX-NDS50
X	P-SUPPLY/PWB/FAN	R 0018	88-118-471-080	OE	C-RES,S 470-1/10W J	USM	CX-NDS55
X	P-SUPPLY/PWB/FAN	R 0019	88-118-471-080	OE	C-RES,S 470-1/10W J	USM	CX-NDS50
X	P-SUPPLY/PWB/FAN	R 0019	88-118-471-080	OE	C-RES,S 470-1/10W J	USM	CX-NDS55
X	P-SUPPLY/PWB/FAN	R 0020	88-108-680-080	OE	C-RES,U 68-1/16W J	USM	CX-NDS50
X	P-SUPPLY/PWB/FAN	R 0020	88-108-680-080	OE	C-RES,U 68-1/16W J	USM	CX-NDS55
X	P-SUPPLY/PWB/FAN	R 0021	88-108-472-080	OE	C-RES,U 4.7K-1/16W J	USM	CX-NDS50
X	P-SUPPLY/PWB/FAN	R 0021	88-108-472-080	OE	C-RES,U 4.7K-1/16W J	USM	CX-NDS55
X	P-SUPPLY/PWB/FAN	R 0022	88-108-221-080	OE	C-RES,U 220-1/16W J	USM	CX-NDS50
X	P-SUPPLY/PWB/FAN	R 0022	88-108-221-080	OE	C-RES,U 220-1/16W J	USM	CX-NDS55
X	P-SUPPLY/PWB/FAN	R 0023	88-108-103-080	OE	C-RES,U 10K-1/16W J	USM	CX-NDS50
X	P-SUPPLY/PWB/FAN	R 0023	88-108-103-080	OE	C-RES,U 10K-1/16W J	USM	CX-NDS55
X	P-SUPPLY/PWB/FAN	R 0024	88-108-101-080	OE	C-RES,U 100-1/16W J	USM	CX-NDS50
X	P-SUPPLY/PWB/FAN	R 0024	88-108-101-080	OE	C-RES,U 100-1/16W J	USM	CX-NDS55
X	P-SUPPLY/PWB/FAN	R 0026	88-108-103-080	OE	C-RES,U 10K-1/16W J	USM	CX-NDS50
X	P-SUPPLY/PWB/FAN	R 0026	88-108-103-080	OE	C-RES,U 10K-1/16W J	USM	CX-NDS55
X	P-SUPPLY/PWB/FAN	R 0027	88-108-471-080	OE	C-RES,U 470-1/16W J	USM	CX-NDS50
X	P-SUPPLY/PWB/FAN	R 0027	88-108-471-080	OE	C-RES,U 470-1/16W J	USM	CX-NDS55
X	P-SUPPLY/PWB/FAN	R 0028	88-108-103-080	OE	C-RES,U 10K-1/16W J	USM	CX-NDS50
X	P-SUPPLY/PWB/FAN	R 0028	88-108-103-080	OE	C-RES,U 10K-1/16W J	USM	CX-NDS55
X	P-SUPPLY/PWB/FAN	R 0029	88-108-222-080	OE	C-RES,U 2.2K-1/16W J	USM	CX-NDS50
X	P-SUPPLY/PWB/FAN	R 0029	88-108-222-080	OE	C-RES,U 2.2K-1/16W J	USM	CX-NDS55
X	P-SUPPLY/PWB/FAN	R 0030	88-108-333-080	OE	C-RES,U 33K-1/16W J	USM	CX-NDS50
X	P-SUPPLY/PWB/FAN	R 0030	88-108-333-080	OE	C-RES,U 33K-1/16W J	USM	CX-NDS55
X	P-SUPPLY/PWB/FAN	R 0031	88-108-152-080	OE	C-RES,U 1.5K-1/16W J	USM	CX-NDS50
X	P-SUPPLY/PWB/FAN	R 0031	88-108-152-080	OE	C-RES,U 1.5K-1/16W J	USM	CX-NDS55
X	P-SUPPLY/PWB/FAN	R 0032	88-108-102-080	OE	C-RES,U 1K-1/16W J	USM	CX-NDS50
X	P-SUPPLY/PWB/FAN	R 0032	88-108-102-080	OE	C-RES,U 1K-1/16W J	USM	CX-NDS55
X	P-SUPPLY/PWB/FAN	R 0033	88-108-473-080	OE	C-RES,U 47K-1/16W J	USM	CX-NDS50
X	P-SUPPLY/PWB/FAN	R 0033	88-108-473-080	OE	C-RES,U 47K-1/16W J	USM	CX-NDS55
X	P-SUPPLY/PWB/FAN	R 0034	88-108-101-080	OE	C-RES,U 100-1/16W J	USM	CX-NDS50
X	P-SUPPLY/PWB/FAN	R 0034	88-108-101-080	OE	C-RES,U 100-1/16W J	USM	CX-NDS55
X	P-SUPPLY/PWB/FAN	R 0035	88-128-229-080	OE	C-RES, 2.2-1/8W J	USM	CX-NDS50
X	P-SUPPLY/PWB/FAN	R 0035	88-128-229-080	OE	C-RES, 2.2-1/8W J	USM	CX-NDS55
X	P-SUPPLY/PWB/FAN	R 0036	88-128-229-080	OE	C-RES, 2.2-1/8W J	USM	CX-NDS50
X	P-SUPPLY/PWB/FAN	R 0036	88-128-229-080	OE	C-RES, 2.2-1/8W J	USM	CX-NDS55
X	P-SUPPLY/PWB/FAN	R 0037	88-108-394-080	OE	C-RES,U 390K-1/16W J	USM	CX-NDS50
X	P-SUPPLY/PWB/FAN	R 0037	88-108-394-080	OE	C-RES,U 390K-1/16W J	USM	CX-NDS55
X	P-SUPPLY/PWB/FAN	R 0038	88-121-221-080	OE	RES,220-1/8W J	USM	CX-NDS50
X	P-SUPPLY/PWB/FAN	R 0038	88-121-221-080	OE	RES,220-1/8W J	USM	CX-NDS55
X	P-SUPPLY/PWB/FAN	R 0042	88-128-102-080	OE	C-RES, 1K-1/8W J	USM	CX-NDS50
X	P-SUPPLY/PWB/FAN	R 0042	88-128-102-080	OE	C-RES, 1K-1/8W J	USM	CX-NDS55
X	P-SUPPLY/PWB/FAN	R 0043	88-128-229-080	OE	C-RES, 2.2-1/8W J	USM	CX-NDS50
X	P-SUPPLY/PWB/FAN	R 0043	88-128-229-080	OE	C-RES, 2.2-1/8W J	USM	CX-NDS55
X	P-SUPPLY/PWB/FAN	R 0044	88-128-229-080	OE	C-RES, 2.2-1/8W J	USM	CX-NDS50
X	P-SUPPLY/PWB/FAN	R 0044	88-128-229-080	OE	C-RES, 2.2-1/8W J	USM	CX-NDS55
X	P-SUPPLY/PWB/FAN	R 0046	88-108-103-080	OE	C-RES,U 10K-1/16W J	USM	CX-NDS50
X	P-SUPPLY/PWB/FAN	R 0046	88-108-103-080	OE	C-RES,U 10K-1/16W J	USM	CX-NDS55
X	P-SUPPLY/PWB/FAN	R 0048	88-108-103-080	OE	C-RES,U 10K-1/16W J	USM	CX-NDS50
X	P-SUPPLY/PWB/FAN	R 0048	88-108-103-080	OE	C-RES,U 10K-1/16W J	USM	CX-NDS55
X	P-SUPPLY/PWB/FAN	R 0050	88-108-104-080	OE	C-RES,U 100K-1/16W J	USM	CX-NDS50
X	P-SUPPLY/PWB/FAN	R 0050	88-108-104-080	OE	C-RES,U 100K-1/16W J	USM	CX-NDS55
X	P-SUPPLY/PWB/FAN	R 0054	88-108-473-080	OE	C-RES,U 47K-1/16W J	USM	CX-NDS50
X	P-SUPPLY/PWB/FAN	R 0054	88-108-473-080	OE	C-RES,U 47K-1/16W J	USM	CX-NDS55
X	P-SUPPLY/PWB/FAN	R 0055	88-108-473-080	OE	C-RES,U 47K-1/16W J	USM	CX-NDS50
X	P-SUPPLY/PWB/FAN	R 0055	88-108-473-080	OE	C-RES,U 47K-1/16W J	USM	CX-NDS55

PARTS LIST

! = Δ SAFTY PARTS
 C = Components marked

All components used on this model at the production line are shown in this service manual.

However, please note that not all components will be available as spare parts for after-sales service.

Components marked S and O are designated as spare parts for service and will be stocked at the spare parts centers.

Components marked X and R are not designated as spare parts for after sales service, and will not be stocked at the spare parts centers.

K NO. = Only use Japanese.

! C	UNIT NAME	REF NO.	PARTS CODE	K NO.	DESCRIPTION	SUFFIX	MODEL NAME
X	P-SUPPLY/PWB/FAN	R 0056	88-108-122-080	0E	C-RES,U 1.2K-1/16W J	USM	CX-NDS50
X	P-SUPPLY/PWB/FAN	R 0056	88-108-122-080	0E	C-RES,U 1.2K-1/16W J	USM	CX-NDS55
X	P-SUPPLY/PWB/FAN	R 0058	88-108-392-080	0E	C-RES,U 3.9K-1/16W J	USM	CX-NDS50
X	P-SUPPLY/PWB/FAN	R 0058	88-108-392-080	0E	C-RES,U 3.9K-1/16W J	USM	CX-NDS55
X	P-SUPPLY/PWB/FAN	R 0059	88-108-333-080	0E	C-RES,U 33K-1/16W J	USM	CX-NDS50
X	P-SUPPLY/PWB/FAN	R 0059	88-108-333-080	0E	C-RES,U 33K-1/16W J	USM	CX-NDS55
X	P-SUPPLY/PWB/FAN	R 0060	88-108-104-080	0E	C-RES,U 100K-1/16W J	USM	CX-NDS50
X	P-SUPPLY/PWB/FAN	R 0060	88-108-104-080	0E	C-RES,U 100K-1/16W J	USM	CX-NDS55
X	P-SUPPLY/PWB/FAN	R 0061	88-108-333-080	0E	C-RES,U 33K-1/16W J	USM	CX-NDS50
X	P-SUPPLY/PWB/FAN	R 0061	88-108-333-080	0E	C-RES,U 33K-1/16W J	USM	CX-NDS55
X	P-SUPPLY/PWB/FAN	R 0062	88-108-223-080	0E	C-RES,U 22K-1/16W J	USM	CX-NDS50
X	P-SUPPLY/PWB/FAN	R 0062	88-108-223-080	0E	C-RES,U 22K-1/16W J	USM	CX-NDS55
X	P-SUPPLY/PWB/FAN	R 0063	88-108-273-080	0E	C-RES,U 27K-1/16W J	USM	CX-NDS50
X	P-SUPPLY/PWB/FAN	R 0063	88-108-273-080	0E	C-RES,U 27K-1/16W J	USM	CX-NDS55
X	P-SUPPLY/PWB/FAN	R 0064	88-108-102-080	0E	C-RES,U 1K-1/16W J	USM	CX-NDS50
X	P-SUPPLY/PWB/FAN	R 0064	88-108-102-080	0E	C-RES,U 1K-1/16W J	USM	CX-NDS55
X	P-SUPPLY/PWB/FAN	R 0065	88-108-123-080	0E	C-RES,U 12K-1/16W J	USM	CX-NDS50
X	P-SUPPLY/PWB/FAN	R 0065	88-108-123-080	0E	C-RES,U 12K-1/16W J	USM	CX-NDS55
X	P-SUPPLY/PWB/FAN	R 0066	88-108-104-080	0E	C-RES,U 100K-1/16W J	USM	CX-NDS50
X	P-SUPPLY/PWB/FAN	R 0066	88-108-104-080	0E	C-RES,U 100K-1/16W J	USM	CX-NDS55
X	P-SUPPLY/PWB/FAN	R 0067	88-108-333-080	0E	C-RES,U 33K-1/16W J	USM	CX-NDS50
X	P-SUPPLY/PWB/FAN	R 0067	88-108-333-080	0E	C-RES,U 33K-1/16W J	USM	CX-NDS55
X	P-SUPPLY/PWB/FAN	R 0068	88-108-333-080	0E	C-RES,U 33K-1/16W J	USM	CX-NDS50
X	P-SUPPLY/PWB/FAN	R 0068	88-108-333-080	0E	C-RES,U 33K-1/16W J	USM	CX-NDS55
X	P-SUPPLY/PWB/FAN	R 0069	88-108-101-080	0E	C-RES,U 100-1/16W J	USM	CX-NDS50
X	P-SUPPLY/PWB/FAN	R 0069	88-108-101-080	0E	C-RES,U 100-1/16W J	USM	CX-NDS55
X	P-SUPPLY/PWB/FAN	R 0070	88-108-102-080	0E	C-RES,U 1K-1/16W J	USM	CX-NDS50
X	P-SUPPLY/PWB/FAN	R 0070	88-108-102-080	0E	C-RES,U 1K-1/16W J	USM	CX-NDS55
X	P-SUPPLY/PWB/FAN	R 0071	88-108-683-080	0E	C-RES,U 68K-1/16W J	USM	CX-NDS50
X	P-SUPPLY/PWB/FAN	R 0071	88-108-683-080	0E	C-RES,U 68K-1/16W J	USM	CX-NDS55
X	P-SUPPLY/PWB/FAN	R 0072	88-108-153-080	0E	C-RES,U 15K-1/16W J	USM	CX-NDS50
X	P-SUPPLY/PWB/FAN	R 0072	88-108-153-080	0E	C-RES,U 15K-1/16W J	USM	CX-NDS55
X	P-SUPPLY/PWB/FAN	R 0073	88-108-473-080	0E	C-RES,U 47K-1/16W J	USM	CX-NDS50
X	P-SUPPLY/PWB/FAN	R 0073	88-108-473-080	0E	C-RES,U 47K-1/16W J	USM	CX-NDS55
X	P-SUPPLY/PWB/FAN	R 0074	88-108-683-080	0E	C-RES,U 68K-1/16W J	USM	CX-NDS50
X	P-SUPPLY/PWB/FAN	R 0074	88-108-683-080	0E	C-RES,U 68K-1/16W J	USM	CX-NDS55
X	P-SUPPLY/PWB/FAN	R 0075	88-108-153-080	0E	C-RES,U 15K-1/16W J	USM	CX-NDS50
X	P-SUPPLY/PWB/FAN	R 0075	88-108-153-080	0E	C-RES,U 15K-1/16W J	USM	CX-NDS55
X	P-SUPPLY/PWB/FAN	R 0076	88-108-473-080	0E	C-RES,U 47K-1/16W J	USM	CX-NDS50
X	P-SUPPLY/PWB/FAN	R 0076	88-108-473-080	0E	C-RES,U 47K-1/16W J	USM	CX-NDS55
X	P-SUPPLY/PWB/FAN	R 0078	88-100-000-010	0E	PLATING-JW, 0.58 SN95	USM	CX-NDS50
X	P-SUPPLY/PWB/FAN	R 0078	88-100-000-010	0E	PLATING-JW, 0.58 SN95	USM	CX-NDS55
X	P-SUPPLY/PWB/FAN	R 0081	88-108-103-080	0E	C-RES,U 10K-1/16W J	USM	CX-NDS50
X	P-SUPPLY/PWB/FAN	R 0081	88-108-103-080	0E	C-RES,U 10K-1/16W J	USM	CX-NDS55
X	P-SUPPLY/PWB/FAN	R 0082	88-108-104-080	0E	C-RES,U 100K-1/16W J	USM	CX-NDS50
X	P-SUPPLY/PWB/FAN	R 0082	88-108-104-080	0E	C-RES,U 100K-1/16W J	USM	CX-NDS55
X	P-SUPPLY/PWB/FAN	R 0083	88-108-104-080	0E	C-RES,U 100K-1/16W J	USM	CX-NDS50
X	P-SUPPLY/PWB/FAN	R 0083	88-108-104-080	0E	C-RES,U 100K-1/16W J	USM	CX-NDS55
X	P-SUPPLY/PWB/FAN	R 0084	88-108-101-080	0E	C-RES,U 100-1/16W J	USM	CX-NDS50
X	P-SUPPLY/PWB/FAN	R 0084	88-108-101-080	0E	C-RES,U 100-1/16W J	USM	CX-NDS55
O	P-SUPPLY/PWB/FAN	R 0085	87-A00-436-050	0E	RES,100-1/2W J RP	USM	CX-NDS50
O	P-SUPPLY/PWB/FAN	R 0085	87-A00-436-050	0E	RES,100-1/2W J RP	USM	CX-NDS55
O	P-SUPPLY/PWB/FAN	R 0086	87-A00-436-050	0E	RES,100-1/2W J RP	USM	CX-NDS50
O	P-SUPPLY/PWB/FAN	R 0086	87-A00-436-050	0E	RES,100-1/2W J RP	USM	CX-NDS55
O	P-SUPPLY/PWB/FAN	R 0087	87-A00-436-050	0E	RES,100-1/2W J RP	USM	CX-NDS50
O	P-SUPPLY/PWB/FAN	R 0087	87-A00-436-050	0E	RES,100-1/2W J RP	USM	CX-NDS55
O	P-SUPPLY/PWB/FAN	R 0088	87-A00-436-050	0E	RES,100-1/2W J RP	USM	CX-NDS50
O	P-SUPPLY/PWB/FAN	R 0088	87-A00-436-050	0E	RES,100-1/2W J RP	USM	CX-NDS55
X	P-SUPPLY/PWB/FAN	R 0089	88-108-101-080	0E	C-RES,U 100-1/16W J	USM	CX-NDS50
X	P-SUPPLY/PWB/FAN	R 0089	88-108-101-080	0E	C-RES,U 100-1/16W J	USM	CX-NDS55
X	P-SUPPLY/PWB/FAN	R 0090	88-108-101-080	0E	C-RES,U 100-1/16W J	USM	CX-NDS50
X	P-SUPPLY/PWB/FAN	R 0090	88-108-101-080	0E	C-RES,U 100-1/16W J	USM	CX-NDS55
X	P-SUPPLY/PWB/FAN	R 0091	88-108-000-080	0E	C-JUMPER,U	USM	CX-NDS50
X	P-SUPPLY/PWB/FAN	R 0091	88-108-000-080	0E	C-JUMPER,U	USM	CX-NDS55
X	P-SUPPLY/PWB/FAN	R 0092	88-108-103-080	0E	C-RES,U 10K-1/16W J	USM	CX-NDS50
X	P-SUPPLY/PWB/FAN	R 0092	88-108-103-080	0E	C-RES,U 10K-1/16W J	USM	CX-NDS55
X	P-SUPPLY/PWB/FAN	R 0093	88-108-103-080	0E	C-RES,U 10K-1/16W J	USM	CX-NDS50
X	P-SUPPLY/PWB/FAN	R 0093	88-108-103-080	0E	C-RES,U 10K-1/16W J	USM	CX-NDS55
X	P-SUPPLY/PWB/FAN	R 0094	88-108-473-080	0E	C-RES,U 47K-1/16W J	USM	CX-NDS50
X	P-SUPPLY/PWB/FAN	R 0094	88-108-473-080	0E	C-RES,U 47K-1/16W J	USM	CX-NDS55

PARTS LIST

! = Δ SAFTY PARTS
 C = Components marked

All components used on this model at the production line are shown in this service manual.

However, please note that not all components will be available as spare parts for after-sales service.

Components marked S and O are designated as spare parts for service and will be stocked at the spare parts centers.

Components marked X and R are not designated as spare parts for after sales service, and will not be stocked at the spare parts centers.

K NO. = Only use Japanese.

! C	UNIT NAME	REF NO.	PARTS CODE	K NO.	DESCRIPTION	SUFFIX	MODEL NAME
X	P-SUPPLY/PWB/FAN	R 0095	88-108-473-080	0E	C-RES,U 47K-1/16W J	USM	CX-NDS50
X	P-SUPPLY/PWB/FAN	R 0095	88-108-473-080	0E	C-RES,U 47K-1/16W J	USM	CX-NDS55
X	P-SUPPLY/PWB/FAN	R 0185	88-108-273-080	0E	C-RES,U 27K-1/16W J	USM	CX-NDS50
X	P-SUPPLY/PWB/FAN	R 0185	88-108-273-080	0E	C-RES,U 27K-1/16W J	USM	CX-NDS55
X	P-SUPPLY/PWB/FAN	R 0186	88-118-472-080	0E	C-RES,S 4.7K-1/10W J	USM	CX-NDS50
X	P-SUPPLY/PWB/FAN	R 0186	88-118-472-080	0E	C-RES,S 4.7K-1/10W J	USM	CX-NDS55
X	P-SUPPLY/PWB/FAN	R 0187	88-118-472-080	0E	C-RES,S 4.7K-1/10W J	USM	CX-NDS50
X	P-SUPPLY/PWB/FAN	R 0187	88-118-472-080	0E	C-RES,S 4.7K-1/10W J	USM	CX-NDS55
X	P-SUPPLY/PWB/FAN	R 0188	88-108-474-080	0E	C-RES,U 470K-1/16W J	USM	CX-NDS50
X	P-SUPPLY/PWB/FAN	R 0188	88-108-474-080	0E	C-RES,U 470K-1/16W J	USM	CX-NDS55
X	P-SUPPLY/PWB/FAN	R 0190	88-108-221-080	0E	C-RES,U 220-1/16W J	USM	CX-NDS50
X	P-SUPPLY/PWB/FAN	R 0190	88-108-221-080	0E	C-RES,U 220-1/16W J	USM	CX-NDS55
X	P-SUPPLY/PWB/FAN	R 0191	88-108-332-080	0E	C-RES,U 3.3K-1/16W J	USM	CX-NDS50
X	P-SUPPLY/PWB/FAN	R 0191	88-108-332-080	0E	C-RES,U 3.3K-1/16W J	USM	CX-NDS55
X	P-SUPPLY/PWB/FAN	R 0192	88-108-103-080	0E	C-RES,U 10K-1/16W J	USM	CX-NDS50
X	P-SUPPLY/PWB/FAN	R 0192	88-108-103-080	0E	C-RES,U 10K-1/16W J	USM	CX-NDS55
X	P-SUPPLY/PWB/FAN	R 0193	88-108-103-080	0E	C-RES,U 10K-1/16W J	USM	CX-NDS50
X	P-SUPPLY/PWB/FAN	R 0193	88-108-103-080	0E	C-RES,U 10K-1/16W J	USM	CX-NDS55
X	P-SUPPLY/PWB/FAN	R 0194	88-118-000-080	0E	C-JUMPER,S	USM	CX-NDS50
X	P-SUPPLY/PWB/FAN	R 0194	88-118-000-080	0E	C-JUMPER,S	USM	CX-NDS55
!	O P-SUPPLY/PWB/FAN	WH 0001	87-A90-510-010	0E	HLD,R,WIRE 2.5-9P	USM	CX-NDS50
!	O P-SUPPLY/PWB/FAN	WH 0001	87-A90-510-010	0E	HLD,R,WIRE 2.5-9P	USM	CX-NDS55
!	O P-SUPPLY/PWB/FAN	WH 0102	87-A90-460-010	0E	HLD,R,WIRE 2.5-7P	USM	CX-NDS50
!	O P-SUPPLY/PWB/FAN	WH 0102	87-A90-460-010	0E	HLD,R,WIRE 2.5-7P	USM	CX-NDS55
X	PACKING DU		86-NFA-860-010	0E	PAD,BOX	USM	CX-NDS50
X	PACKING DU		86-NFA-860-010	0E	PAD,BOX	USM	CX-NDS55
X	PACKING DU		87-B40-098-010	0E	BAG,PV 0.025-650-750 PL	USM	CX-NDS50
X	PACKING DU		87-B40-098-010	0E	BAG,PV 0.025-650-750 PL	USM	CX-NDS55
X	PACKING DU		8B-NCK-853-010	1H	CTN,PRINTED USM	USM	CX-NDS50
X	PACKING DU		8B-NCK-854-010	1H	CTN,PRINTED 55USM	USM	CX-NDS55
X	PACKING DU		8B-NCK-855-010	0E	PAD,EPS A	USM	CX-NDS50
X	PACKING DU		8B-NCK-855-010	0E	PAD,EPS A	USM	CX-NDS55
X	PACKING DU		8B-NFK-869-010	1A	CUSHION,FRONT M	USM	CX-NDS50
X	PACKING DU		8B-NFK-869-010	1A	CUSHION,FRONT M	USM	CX-NDS55
X	PACKING DU		8B-NFK-870-010	1A	CUSHION,REAR M	USM	CX-NDS50
X	PACKING DU		8B-NFK-870-010	1A	CUSHION,REAR M	USM	CX-NDS55
X	PACKING DU		93-704-337-010	1A	SH,FOAMED-MAT 0.31-800-500	USM	CX-NDS50
X	PACKING DU		93-704-337-010	1A	SH,FOAMED-MAT 0.31-800-500	USM	CX-NDS55
X	PLATE		84-711-909-010	1A	LBL DATE CODE	USM	CX-NDS50
X	PLATE		84-711-909-010	1A	LBL DATE CODE	USM	CX-NDS55
X	PLATE		87-B40-016-010	0E	BAG,PP (BAR-CODE)	USM	CX-NDS50
X	PLATE		87-B40-016-010	0E	BAG,PP (BAR-CODE)	USM	CX-NDS55
X	PLATE		87-B40-287-010	0E	LBL,BAR-CODE EU 35X8	USM	CX-NDS50
X	PLATE		87-B40-287-010	0E	LBL,BAR-CODE EU 35X8	USM	CX-NDS55
X	PLATE		8B-NFK-025-010	0E	SH,CD	USM	CX-NDS50
X	PLATE		8B-NFK-025-010	0E	SH,CD	USM	CX-NDS55
O	POWER AMP (FRONT)	C 0101	87-A12-087-080	0E	CAP,E 1-50 SMG	USM	CX-NDS50
O	POWER AMP (FRONT)	C 0101	87-A12-087-080	0E	CAP,E 1-50 SMG	USM	CX-NDS55
O	POWER AMP (FRONT)	C 0102	87-A12-087-080	0E	CAP,E 1-50 SMG	USM	CX-NDS50
O	POWER AMP (FRONT)	C 0102	87-A12-087-080	0E	CAP,E 1-50 SMG	USM	CX-NDS55
O	POWER AMP (FRONT)	C 0110	87-010-831-080	0E	C-CAP,U 0.1-16 Z F	USM	CX-NDS50
O	POWER AMP (FRONT)	C 0110	87-010-831-080	0E	C-CAP,U 0.1-16 Z F	USM	CX-NDS55
O	POWER AMP (FRONT)	C 0111	87-A12-088-080	0E	CAP,E 2.2-50 SMG	USM	CX-NDS50
O	POWER AMP (FRONT)	C 0111	87-A12-088-080	0E	CAP,E 2.2-50 SMG	USM	CX-NDS55
O	POWER AMP (FRONT)	C 0112	87-A12-088-080	0E	CAP,E 2.2-50 SMG	USM	CX-NDS50
O	POWER AMP (FRONT)	C 0112	87-A12-088-080	0E	CAP,E 2.2-50 SMG	USM	CX-NDS55
O	POWER AMP (FRONT)	C 0113	87-A12-075-080	0E	CAP,E 10-35 SMG	USM	CX-NDS50
O	POWER AMP (FRONT)	C 0113	87-A12-075-080	0E	CAP,E 10-35 SMG	USM	CX-NDS55
O	POWER AMP (FRONT)	C 0121	87-A12-088-080	0E	CAP,E 2.2-50 SMG	USM	CX-NDS50
O	POWER AMP (FRONT)	C 0121	87-A12-088-080	0E	CAP,E 2.2-50 SMG	USM	CX-NDS55
O	POWER AMP (FRONT)	C 0122	87-A12-086-080	0E	CAP,E 0.47-50 SMG	USM	CX-NDS50
O	POWER AMP (FRONT)	C 0122	87-A12-086-080	0E	CAP,E 0.47-50 SMG	USM	CX-NDS55
O	POWER AMP (FRONT)	C 0145	87-012-368-080	0E	C-CAP,S 0.1-50 Z F	USM	CX-NDS50
O	POWER AMP (FRONT)	C 0145	87-012-368-080	0E	C-CAP,S 0.1-50 Z F	USM	CX-NDS55
O	POWER AMP (FRONT)	C 0146	87-012-368-080	0E	C-CAP,S 0.1-50 Z F	USM	CX-NDS50
O	POWER AMP (FRONT)	C 0146	87-012-368-080	0E	C-CAP,S 0.1-50 Z F	USM	CX-NDS55
O	POWER AMP (FRONT)	C 0147	87-012-368-080	0E	C-CAP,S 0.1-50 Z F	USM	CX-NDS50
O	POWER AMP (FRONT)	C 0147	87-012-368-080	0E	C-CAP,S 0.1-50 Z F	USM	CX-NDS55
O	POWER AMP (FRONT)	C 0148	87-012-368-080	0E	C-CAP,S 0.1-50 Z F	USM	CX-NDS50
O	POWER AMP (FRONT)	C 0148	87-012-368-080	0E	C-CAP,S 0.1-50 Z F	USM	CX-NDS55

PARTS LIST

! = Δ SAFTY PARTS
 C = Components marked

All components used on this model at the production line are shown in this service manual.

However, please note that not all components will be available as spare parts for after-sales service.

Components marked S and O are designated as spare parts for service and will be stocked at the spare parts centers.

Components marked X and R are not designated as spare parts for after sales service, and will not be stocked at the spare parts centers.

K NO. = Only use Japanese.

! C	UNIT NAME	REF NO.	PARTS CODE	K NO.	DESCRIPTION	SUFFIX	MODEL NAME
O	POWER AMP (FRONT)	C 0155	87-010-831-080	0E	C-CAP,U 0.1-16 Z F	USM	CX-NDS50
O	POWER AMP (FRONT)	C 0155	87-010-831-080	0E	C-CAP,U 0.1-16 Z F	USM	CX-NDS55
O	POWER AMP (FRONT)	C 0170	87-012-278-080	0E	C-CAP,U 2200P-50 K B	USM	CX-NDS50
O	POWER AMP (FRONT)	C 0170	87-012-278-080	0E	C-CAP,U 2200P-50 K B	USM	CX-NDS55
O	POWER AMP (FRONT)	C 0171	87-012-282-080	0E	C-CAP,U 4700P-50 K B	USM	CX-NDS50
O	POWER AMP (FRONT)	C 0171	87-012-282-080	0E	C-CAP,U 4700P-50 K B	USM	CX-NDS55
O	POWER AMP (FRONT)	C 0173	87-010-759-080	0E	C-CAP,U 0.1-25 Z F	USM	CX-NDS50
O	POWER AMP (FRONT)	C 0173	87-010-759-080	0E	C-CAP,U 0.1-25 Z F	USM	CX-NDS55
O	POWER AMP (FRONT)	C 0201	87-012-281-080	0E	C-CAP,U 3900P-50 K B GRM	USM	CX-NDS50
O	POWER AMP (FRONT)	C 0201	87-012-281-080	0E	C-CAP,U 3900P-50 K B GRM	USM	CX-NDS55
O	POWER AMP (FRONT)	C 0202	87-012-281-080	0E	C-CAP,U 3900P-50 K B GRM	USM	CX-NDS50
O	POWER AMP (FRONT)	C 0202	87-012-281-080	0E	C-CAP,U 3900P-50 K B GRM	USM	CX-NDS55
O	POWER AMP (FRONT)	C 0203	87-A12-084-080	0E	CAP,E 0.22-50 SMG	USM	CX-NDS50
O	POWER AMP (FRONT)	C 0203	87-A12-084-080	0E	CAP,E 0.22-50 SMG	USM	CX-NDS55
O	POWER AMP (FRONT)	C 0204	87-A12-084-080	0E	CAP,E 0.22-50 SMG	USM	CX-NDS50
O	POWER AMP (FRONT)	C 0204	87-A12-084-080	0E	CAP,E 0.22-50 SMG	USM	CX-NDS55
O	POWER AMP (FRONT)	C 0205	87-012-282-080	0E	C-CAP,U 4700P-50 K B	USM	CX-NDS50
O	POWER AMP (FRONT)	C 0205	87-012-282-080	0E	C-CAP,U 4700P-50 K B	USM	CX-NDS55
O	POWER AMP (FRONT)	C 0206	87-012-282-080	0E	C-CAP,U 4700P-50 K B	USM	CX-NDS50
O	POWER AMP (FRONT)	C 0206	87-012-282-080	0E	C-CAP,U 4700P-50 K B	USM	CX-NDS55
O	POWER AMP (FRONT)	C 0207	87-A12-090-080	0E	CAP,E 4.7-50 SMG	USM	CX-NDS50
O	POWER AMP (FRONT)	C 0207	87-A12-090-080	0E	CAP,E 4.7-50 SMG	USM	CX-NDS55
O	POWER AMP (FRONT)	C 0208	87-A12-090-080	0E	CAP,E 4.7-50 SMG	USM	CX-NDS50
O	POWER AMP (FRONT)	C 0208	87-A12-090-080	0E	CAP,E 4.7-50 SMG	USM	CX-NDS55
O	POWER AMP (FRONT)	C 0209	87-016-615-080	0E	C-CAP,U 2.2P-50 CH	USM	CX-NDS50
O	POWER AMP (FRONT)	C 0209	87-016-615-080	0E	C-CAP,U 2.2P-50 CH	USM	CX-NDS55
O	POWER AMP (FRONT)	C 0210	87-016-615-080	0E	C-CAP,U 2.2P-50 CH	USM	CX-NDS50
O	POWER AMP (FRONT)	C 0210	87-016-615-080	0E	C-CAP,U 2.2P-50 CH	USM	CX-NDS55
O	POWER AMP (FRONT)	C 0211	87-A12-078-080	0E	CAP,E 47-35 SMG	USM	CX-NDS50
O	POWER AMP (FRONT)	C 0211	87-A12-078-080	0E	CAP,E 47-35 SMG	USM	CX-NDS55
O	POWER AMP (FRONT)	C 0212	87-A12-078-080	0E	CAP,E 47-35 SMG	USM	CX-NDS50
O	POWER AMP (FRONT)	C 0212	87-A12-078-080	0E	CAP,E 47-35 SMG	USM	CX-NDS55
O	POWER AMP (FRONT)	C 0215	87-012-273-080	0E	C-CAP,U 820P-50 K B	USM	CX-NDS50
O	POWER AMP (FRONT)	C 0215	87-012-273-080	0E	C-CAP,U 820P-50 K B	USM	CX-NDS55
O	POWER AMP (FRONT)	C 0216	87-012-273-080	0E	C-CAP,U 820P-50 K B	USM	CX-NDS50
O	POWER AMP (FRONT)	C 0216	87-012-273-080	0E	C-CAP,U 820P-50 K B	USM	CX-NDS55
O	POWER AMP (FRONT)	C 0217	87-A10-596-080	0E	C-CAP,S 100P-100 J CH	USM	CX-NDS50
O	POWER AMP (FRONT)	C 0217	87-A10-596-080	0E	C-CAP,S 100P-100 J CH	USM	CX-NDS55
O	POWER AMP (FRONT)	C 0218	87-A10-596-080	0E	C-CAP,S 100P-100 J CH	USM	CX-NDS50
O	POWER AMP (FRONT)	C 0218	87-A10-596-080	0E	C-CAP,S 100P-100 J CH	USM	CX-NDS55
O	POWER AMP (FRONT)	C 0219	87-012-368-080	0E	C-CAP,S 0.1-50 Z F	USM	CX-NDS50
O	POWER AMP (FRONT)	C 0219	87-012-368-080	0E	C-CAP,S 0.1-50 Z F	USM	CX-NDS55
O	POWER AMP (FRONT)	C 0220	87-012-368-080	0E	C-CAP,S 0.1-50 Z F	USM	CX-NDS50
O	POWER AMP (FRONT)	C 0220	87-012-368-080	0E	C-CAP,S 0.1-50 Z F	USM	CX-NDS55
O	POWER AMP (FRONT)	C 0221	87-012-286-080	0E	C-CAP,U 0.01-25 K B	USM	CX-NDS50
O	POWER AMP (FRONT)	C 0221	87-012-286-080	0E	C-CAP,U 0.01-25 K B	USM	CX-NDS55
O	POWER AMP (FRONT)	C 0222	87-012-286-080	0E	C-CAP,U 0.01-25 K B	USM	CX-NDS50
O	POWER AMP (FRONT)	C 0222	87-012-286-080	0E	C-CAP,U 0.01-25 K B	USM	CX-NDS55
O	POWER AMP (FRONT)	C 0223	87-A10-596-080	0E	C-CAP,S 100P-100 J CH	USM	CX-NDS50
O	POWER AMP (FRONT)	C 0223	87-A10-596-080	0E	C-CAP,S 100P-100 J CH	USM	CX-NDS55
O	POWER AMP (FRONT)	C 0224	87-A10-596-080	0E	C-CAP,S 100P-100 J CH	USM	CX-NDS50
O	POWER AMP (FRONT)	C 0224	87-A10-596-080	0E	C-CAP,S 100P-100 J CH	USM	CX-NDS55
O	POWER AMP (FRONT)	C 0273	87-010-759-080	0E	C-CAP,U 0.1-25 Z F	USM	CX-NDS50
O	POWER AMP (FRONT)	C 0273	87-010-759-080	0E	C-CAP,U 0.1-25 Z F	USM	CX-NDS55
O	POWER AMP (FRONT)	C 0274	87-A12-091-080	0E	CAP,E 10-50 SMG	USM	CX-NDS50
O	POWER AMP (FRONT)	C 0274	87-A12-091-080	0E	CAP,E 10-50 SMG	USM	CX-NDS55
O	POWER AMP (FRONT)	C 0275	87-A12-091-080	0E	CAP,E 10-50 SMG	USM	CX-NDS50
O	POWER AMP (FRONT)	C 0275	87-A12-091-080	0E	CAP,E 10-50 SMG	USM	CX-NDS55
X	POWER AMP (FRONT)	D 0130	88-100-000-010	0E	PLATING-JW, 0.58 SN95	USM	CX-NDS50
X	POWER AMP (FRONT)	D 0130	88-100-000-010	0E	PLATING-JW, 0.58 SN95	USM	CX-NDS55
S	POWER AMP (FRONT)	D 0170	87-A40-270-080	0E	C-DIODE,MC2838	USM	CX-NDS50
S	POWER AMP (FRONT)	D 0170	87-A40-270-080	0E	C-DIODE,MC2838	USM	CX-NDS55
S	POWER AMP (FRONT)	D 0171	87-A40-269-080	0E	C-DIODE,MC2836	USM	CX-NDS50
S	POWER AMP (FRONT)	D 0171	87-A40-269-080	0E	C-DIODE,MC2836	USM	CX-NDS55
S	POWER AMP (FRONT)	D 0172	87-A40-270-080	0E	C-DIODE,MC2838	USM	CX-NDS50
S	POWER AMP (FRONT)	D 0172	87-A40-270-080	0E	C-DIODE,MC2838	USM	CX-NDS55
S	POWER AMP (FRONT)	D 0201	87-A40-269-080	0E	C-DIODE,MC2836	USM	CX-NDS50
S	POWER AMP (FRONT)	D 0201	87-A40-269-080	0E	C-DIODE,MC2836	USM	CX-NDS55
S	POWER AMP (FRONT)	D 0202	87-A40-270-080	0E	C-DIODE,MC2838	USM	CX-NDS50
S	POWER AMP (FRONT)	D 0202	87-A40-270-080	0E	C-DIODE,MC2838	USM	CX-NDS55

PARTS LIST

! = Δ SAFTY PARTS
 C = Components marked

All components used on this model at the production line are shown in this service manual.

However, please note that not all components will be available as spare parts for after-sales service.

Components marked S and O are designated as spare parts for service and will be stocked at the spare parts centers.

Components marked X and R are not designated as spare parts for after sales service, and will not be stocked at the spare parts centers.

K NO. = Only use Japanese.

! C	UNIT NAME	REF NO.	PARTS CODE	K NO.	DESCRIPTION	SUFFIX	MODEL NAME
S	POWER AMP (FRONT)	D 0203	87-A40-291-080	0E	DIODE,1N4148M (CPT)	USM	CX-NDS50
S	POWER AMP (FRONT)	D 0203	87-A40-291-080	0E	DIODE,1N4148M (CPT)	USM	CX-NDS55
S	POWER AMP (FRONT)	D 0204	87-A40-291-080	0E	DIODE,1N4148M (CPT)	USM	CX-NDS50
S	POWER AMP (FRONT)	D 0204	87-A40-291-080	0E	DIODE,1N4148M (CPT)	USM	CX-NDS55
S	POWER AMP (FRONT)	D 0205	87-A40-291-080	0E	DIODE,1N4148M (CPT)	USM	CX-NDS50
S	POWER AMP (FRONT)	D 0205	87-A40-291-080	0E	DIODE,1N4148M (CPT)	USM	CX-NDS55
S	POWER AMP (FRONT)	D 0206	87-A40-291-080	0E	DIODE,1N4148M (CPT)	USM	CX-NDS50
S	POWER AMP (FRONT)	D 0206	87-A40-291-080	0E	DIODE,1N4148M (CPT)	USM	CX-NDS55
S	POWER AMP (FRONT)	D 0207	87-A40-291-080	0E	DIODE,1N4148M (CPT)	USM	CX-NDS50
S	POWER AMP (FRONT)	D 0207	87-A40-291-080	0E	DIODE,1N4148M (CPT)	USM	CX-NDS55
S	POWER AMP (FRONT)	D 0208	87-A40-291-080	0E	DIODE,1N4148M (CPT)	USM	CX-NDS50
S	POWER AMP (FRONT)	D 0208	87-A40-291-080	0E	DIODE,1N4148M (CPT)	USM	CX-NDS55
S	POWER AMP (FRONT)	D 0209	87-A40-488-080	0E	DIODE,1SS244	USM	CX-NDS50
S	POWER AMP (FRONT)	D 0209	87-A40-488-080	0E	DIODE,1SS244	USM	CX-NDS55
S	POWER AMP (FRONT)	D 0210	87-A40-488-080	0E	DIODE,1SS244	USM	CX-NDS50
S	POWER AMP (FRONT)	D 0210	87-A40-488-080	0E	DIODE,1SS244	USM	CX-NDS55
S	POWER AMP (FRONT)	D 0211	87-A40-270-080	0E	C-DIODE,MC2838	USM	CX-NDS50
S	POWER AMP (FRONT)	D 0211	87-A40-270-080	0E	C-DIODE,MC2838	USM	CX-NDS55
S	POWER AMP (FRONT)	D 0271	87-A40-270-080	0E	C-DIODE,MC2838	USM	CX-NDS50
S	POWER AMP (FRONT)	D 0271	87-A40-270-080	0E	C-DIODE,MC2838	USM	CX-NDS55
S	POWER AMP (FRONT)	D 0272	87-A40-269-080	0E	C-DIODE,MC2836	USM	CX-NDS50
S	POWER AMP (FRONT)	D 0272	87-A40-269-080	0E	C-DIODE,MC2836	USM	CX-NDS55
S	POWER AMP (FRONT)	D 0273	87-A40-291-080	0E	DIODE,1N4148M (CPT)	USM	CX-NDS50
S	POWER AMP (FRONT)	D 0273	87-A40-291-080	0E	DIODE,1N4148M (CPT)	USM	CX-NDS55
S	POWER AMP (FRONT)	D 0274	87-A40-764-080	0E	ZENER,UZ10BSC	USM	CX-NDS50
S	POWER AMP (FRONT)	D 0274	87-A40-764-080	0E	ZENER,UZ10BSC	USM	CX-NDS55
S	POWER AMP (FRONT)	D 0275	87-A40-291-080	0E	DIODE,1N4148M (CPT)	USM	CX-NDS50
S	POWER AMP (FRONT)	D 0275	87-A40-291-080	0E	DIODE,1N4148M (CPT)	USM	CX-NDS55
S	POWER AMP (FRONT)	D 0276	87-A40-747-080	0E	ZENER,UZ5.1BSB	USM	CX-NDS50
S	POWER AMP (FRONT)	D 0276	87-A40-747-080	0E	ZENER,UZ5.1BSB	USM	CX-NDS55
S	POWER AMP (FRONT)	D 0277	87-A40-749-080	0E	ZENER,UZ5.6BSB	USM	CX-NDS50
S	POWER AMP (FRONT)	D 0277	87-A40-749-080	0E	ZENER,UZ5.6BSB	USM	CX-NDS55
S	POWER AMP (FRONT)	D 0278	87-A40-393-090	0E	DIODE,1N5402GW(F20)	USM	CX-NDS50
S	POWER AMP (FRONT)	D 0278	87-A40-393-090	0E	DIODE,1N5402GW(F20)	USM	CX-NDS55
S	POWER AMP (FRONT)	D 0279	87-A40-393-090	0E	DIODE,1N5402GW(F20)	USM	CX-NDS50
S	POWER AMP (FRONT)	D 0279	87-A40-393-090	0E	DIODE,1N5402GW(F20)	USM	CX-NDS55
O	POWER AMP (FRONT)	J 0101	87-A60-929-010	1A	JACK,DIA6.3 BLK ST W/S TAI	USM	CX-NDS50
O	POWER AMP (FRONT)	J 0101	87-A60-929-010	1A	JACK,DIA6.3 BLK ST W/S TAI	USM	CX-NDS55
!	O	J 0102	87-A60-238-010	1A	TERMINAL,SP 4P (MSC)	USM	CX-NDS50
!	O	J 0102	87-A60-238-010	1A	TERMINAL,SP 4P (MSC)	USM	CX-NDS55
X	POWER AMP (FRONT)	JR 0110	88-128-222-080	0E	C-RES, 2.2K-1/8W J	USM	CX-NDS50
X	POWER AMP (FRONT)	JR 0110	88-128-222-080	0E	C-RES, 2.2K-1/8W J	USM	CX-NDS55
X	POWER AMP (FRONT)	JR 0111	88-108-000-080	0E	C-JUMPER,U	USM	CX-NDS50
X	POWER AMP (FRONT)	JR 0111	88-108-000-080	0E	C-JUMPER,U	USM	CX-NDS55
X	POWER AMP (FRONT)	JR 0112	88-108-222-080	0E	C-RES,U 2.2K-1/16W J	USM	CX-NDS50
X	POWER AMP (FRONT)	JR 0112	88-108-222-080	0E	C-RES,U 2.2K-1/16W J	USM	CX-NDS55
X	POWER AMP (FRONT)	JR 0113	88-108-000-080	0E	C-JUMPER,U	USM	CX-NDS50
X	POWER AMP (FRONT)	JR 0113	88-108-000-080	0E	C-JUMPER,U	USM	CX-NDS55
X	POWER AMP (FRONT)	JR 0114	88-108-000-080	0E	C-JUMPER,U	USM	CX-NDS50
X	POWER AMP (FRONT)	JR 0114	88-108-000-080	0E	C-JUMPER,U	USM	CX-NDS55
X	POWER AMP (FRONT)	JR 0115	88-108-000-080	0E	C-JUMPER,U	USM	CX-NDS50
X	POWER AMP (FRONT)	JR 0115	88-108-000-080	0E	C-JUMPER,U	USM	CX-NDS55
X	POWER AMP (FRONT)	JR 0116	88-108-000-080	0E	C-JUMPER,U	USM	CX-NDS50
X	POWER AMP (FRONT)	JR 0116	88-108-000-080	0E	C-JUMPER,U	USM	CX-NDS55
X	POWER AMP (FRONT)	JR 0130	88-108-000-080	0E	C-JUMPER,U	USM	CX-NDS50
X	POWER AMP (FRONT)	JR 0130	88-108-000-080	0E	C-JUMPER,U	USM	CX-NDS55
X	POWER AMP (FRONT)	JR 0147	88-108-000-080	0E	C-JUMPER,U	USM	CX-NDS50
X	POWER AMP (FRONT)	JR 0147	88-108-000-080	0E	C-JUMPER,U	USM	CX-NDS55
X	POWER AMP (FRONT)	JR 0201	88-108-000-080	0E	C-JUMPER,U	USM	CX-NDS50
X	POWER AMP (FRONT)	JR 0201	88-108-000-080	0E	C-JUMPER,U	USM	CX-NDS55
X	POWER AMP (FRONT)	JR 0202	88-108-000-080	0E	C-JUMPER,U	USM	CX-NDS50
X	POWER AMP (FRONT)	JR 0202	88-108-000-080	0E	C-JUMPER,U	USM	CX-NDS55
X	POWER AMP (FRONT)	JR 0203	88-108-000-080	0E	C-JUMPER,U	USM	CX-NDS50
X	POWER AMP (FRONT)	JR 0203	88-108-000-080	0E	C-JUMPER,U	USM	CX-NDS55
X	POWER AMP (FRONT)	JR 0204	88-108-000-080	0E	C-JUMPER,U	USM	CX-NDS50
X	POWER AMP (FRONT)	JR 0204	88-108-000-080	0E	C-JUMPER,U	USM	CX-NDS55
X	POWER AMP (FRONT)	JR 0210	88-108-000-080	0E	C-JUMPER,U	USM	CX-NDS50
X	POWER AMP (FRONT)	JR 0210	88-108-000-080	0E	C-JUMPER,U	USM	CX-NDS55
X	POWER AMP (FRONT)	JR 0212	88-129-000-080	0E	C-JUMPER, 3216	USM	CX-NDS50
X	POWER AMP (FRONT)	JR 0212	88-129-000-080	0E	C-JUMPER, 3216	USM	CX-NDS55

PARTS LIST

! = Δ SAFTY PARTS
 C = Components marked

All components used on this model at the production line are shown in this service manual.

However, please note that not all components will be available as spare parts for after-sales service.

Components marked S and O are designated as spare parts for service and will be stocked at the spare parts centers.

Components marked X and R are not designated as spare parts for after sales service, and will not be stocked at the spare parts centers.

K NO. = Only use Japanese.

! C	UNIT NAME	REF NO.	PARTS CODE	K NO.	DESCRIPTION	SUFFIX	MODEL NAME
X	POWER AMP (FRONT)	JR 0213	88-108-000-080	0E	C-JUMPER,U	USM	CX-NDS50
X	POWER AMP (FRONT)	JR 0213	88-108-000-080	0E	C-JUMPER,U	USM	CX-NDS55
X	POWER AMP (FRONT)	JR 0214	88-108-000-080	0E	C-JUMPER,U	USM	CX-NDS50
X	POWER AMP (FRONT)	JR 0214	88-108-000-080	0E	C-JUMPER,U	USM	CX-NDS55
O	POWER AMP (FRONT)	L 0141	87-A50-610-010	0E	COIL,1UH K(MDEC)	USM	CX-NDS50
O	POWER AMP (FRONT)	L 0141	87-A50-610-010	0E	COIL,1UH K(MDEC)	USM	CX-NDS55
O	POWER AMP (FRONT)	L 0142	87-A50-610-010	0E	COIL,1UH K(MDEC)	USM	CX-NDS50
O	POWER AMP (FRONT)	L 0142	87-A50-610-010	0E	COIL,1UH K(MDEC)	USM	CX-NDS55
S	POWER AMP (FRONT)	Q 0101	87-A30-076-080	0E	C-TR,2SC3052F	USM	CX-NDS50
S	POWER AMP (FRONT)	Q 0101	87-A30-076-080	0E	C-TR,2SC3052F	USM	CX-NDS55
S	POWER AMP (FRONT)	Q 0102	87-A30-076-080	0E	C-TR,2SC3052F	USM	CX-NDS50
S	POWER AMP (FRONT)	Q 0102	87-A30-076-080	0E	C-TR,2SC3052F	USM	CX-NDS55
S	POWER AMP (FRONT)	Q 0111	87-A30-076-080	0E	C-TR,2SC3052F	USM	CX-NDS50
S	POWER AMP (FRONT)	Q 0111	87-A30-076-080	0E	C-TR,2SC3052F	USM	CX-NDS55
S	POWER AMP (FRONT)	Q 0112	87-A30-076-080	0E	C-TR,2SC3052F	USM	CX-NDS50
S	POWER AMP (FRONT)	Q 0112	87-A30-076-080	0E	C-TR,2SC3052F	USM	CX-NDS55
S	POWER AMP (FRONT)	Q 0113	87-A30-075-080	0E	C-TR,2SA1235F	USM	CX-NDS50
S	POWER AMP (FRONT)	Q 0113	87-A30-075-080	0E	C-TR,2SA1235F	USM	CX-NDS55
S	POWER AMP (FRONT)	Q 0121	87-A30-076-080	0E	C-TR,2SC3052F	USM	CX-NDS50
S	POWER AMP (FRONT)	Q 0121	87-A30-076-080	0E	C-TR,2SC3052F	USM	CX-NDS55
S	POWER AMP (FRONT)	Q 0122	87-A30-086-040	0E	C-TR,CSD1306E	USM	CX-NDS50
S	POWER AMP (FRONT)	Q 0122	87-A30-086-040	0E	C-TR,CSD1306E	USM	CX-NDS55
S	POWER AMP (FRONT)	Q 0170	87-A30-107-070	0E	C-TR,CMBT5401	USM	CX-NDS50
S	POWER AMP (FRONT)	Q 0170	87-A30-107-070	0E	C-TR,CMBT5401	USM	CX-NDS55
S	POWER AMP (FRONT)	Q 0171	87-A30-106-040	0E	C-TR,CMBT5551	USM	CX-NDS50
S	POWER AMP (FRONT)	Q 0171	87-A30-106-040	0E	C-TR,CMBT5551	USM	CX-NDS55
S	POWER AMP (FRONT)	Q 0173	87-A30-484-080	0E	C-TR,KRA102S	USM	CX-NDS50
S	POWER AMP (FRONT)	Q 0173	87-A30-484-080	0E	C-TR,KRA102S	USM	CX-NDS55
S	POWER AMP (FRONT)	Q 0174	87-A30-107-070	0E	C-TR,CMBT5401	USM	CX-NDS50
S	POWER AMP (FRONT)	Q 0174	87-A30-107-070	0E	C-TR,CMBT5401	USM	CX-NDS55
S	POWER AMP (FRONT)	Q 0201	87-A30-075-080	0E	C-TR,2SA1235F	USM	CX-NDS50
S	POWER AMP (FRONT)	Q 0201	87-A30-075-080	0E	C-TR,2SA1235F	USM	CX-NDS55
S	POWER AMP (FRONT)	Q 0202	87-A30-075-080	0E	C-TR,2SA1235F	USM	CX-NDS50
S	POWER AMP (FRONT)	Q 0202	87-A30-075-080	0E	C-TR,2SA1235F	USM	CX-NDS55
S	POWER AMP (FRONT)	Q 0203	87-A30-075-080	0E	C-TR,2SA1235F	USM	CX-NDS50
S	POWER AMP (FRONT)	Q 0203	87-A30-075-080	0E	C-TR,2SA1235F	USM	CX-NDS55
S	POWER AMP (FRONT)	Q 0204	87-A30-075-080	0E	C-TR,2SA1235F	USM	CX-NDS50
S	POWER AMP (FRONT)	Q 0204	87-A30-075-080	0E	C-TR,2SA1235F	USM	CX-NDS55
S	POWER AMP (FRONT)	Q 0205	87-A30-076-080	0E	C-TR,2SC3052F	USM	CX-NDS50
S	POWER AMP (FRONT)	Q 0205	87-A30-076-080	0E	C-TR,2SC3052F	USM	CX-NDS55
S	POWER AMP (FRONT)	Q 0206	87-A30-076-080	0E	C-TR,2SC3052F	USM	CX-NDS50
S	POWER AMP (FRONT)	Q 0206	87-A30-076-080	0E	C-TR,2SC3052F	USM	CX-NDS55
S	POWER AMP (FRONT)	Q 0207	87-A30-076-080	0E	C-TR,2SC3052F	USM	CX-NDS50
S	POWER AMP (FRONT)	Q 0207	87-A30-076-080	0E	C-TR,2SC3052F	USM	CX-NDS55
S	POWER AMP (FRONT)	Q 0208	87-A30-076-080	0E	C-TR,2SC3052F	USM	CX-NDS50
S	POWER AMP (FRONT)	Q 0208	87-A30-076-080	0E	C-TR,2SC3052F	USM	CX-NDS55
S	POWER AMP (FRONT)	Q 0209	87-A30-106-040	0E	C-TR,CMBT5551	USM	CX-NDS50
S	POWER AMP (FRONT)	Q 0209	87-A30-106-040	0E	C-TR,CMBT5551	USM	CX-NDS55
S	POWER AMP (FRONT)	Q 0210	87-A30-106-040	0E	C-TR,CMBT5551	USM	CX-NDS50
S	POWER AMP (FRONT)	Q 0210	87-A30-106-040	0E	C-TR,CMBT5551	USM	CX-NDS55
S	POWER AMP (FRONT)	Q 0211	87-A30-190-080	0E	TR,CC5551	USM	CX-NDS50
S	POWER AMP (FRONT)	Q 0211	87-A30-190-080	0E	TR,CC5551	USM	CX-NDS55
S	POWER AMP (FRONT)	Q 0212	87-A30-190-080	0E	TR,CC5551	USM	CX-NDS50
S	POWER AMP (FRONT)	Q 0212	87-A30-190-080	0E	TR,CC5551	USM	CX-NDS55
S	POWER AMP (FRONT)	Q 0213	87-A30-190-080	0E	TR,CC5551	USM	CX-NDS50
S	POWER AMP (FRONT)	Q 0213	87-A30-190-080	0E	TR,CC5551	USM	CX-NDS55
S	POWER AMP (FRONT)	Q 0214	87-A30-190-080	0E	TR,CC5551	USM	CX-NDS50
S	POWER AMP (FRONT)	Q 0214	87-A30-190-080	0E	TR,CC5551	USM	CX-NDS55
S	POWER AMP (FRONT)	Q 0215	87-A30-076-080	0E	C-TR,2SC3052F	USM	CX-NDS50
S	POWER AMP (FRONT)	Q 0215	87-A30-076-080	0E	C-TR,2SC3052F	USM	CX-NDS55
S	POWER AMP (FRONT)	Q 0216	87-A30-076-080	0E	C-TR,2SC3052F	USM	CX-NDS50
S	POWER AMP (FRONT)	Q 0216	87-A30-076-080	0E	C-TR,2SC3052F	USM	CX-NDS55
S	POWER AMP (FRONT)	Q 0217	87-A30-076-080	0E	C-TR,2SC3052F	USM	CX-NDS50
S	POWER AMP (FRONT)	Q 0217	87-A30-076-080	0E	C-TR,2SC3052F	USM	CX-NDS55
S	POWER AMP (FRONT)	Q 0218	87-A30-076-080	0E	C-TR,2SC3052F	USM	CX-NDS50
S	POWER AMP (FRONT)	Q 0218	87-A30-076-080	0E	C-TR,2SC3052F	USM	CX-NDS55
S	POWER AMP (FRONT)	Q 0223	87-A30-529-010	1B	TR,2SD2642	USM	CX-NDS50
S	POWER AMP (FRONT)	Q 0223	87-A30-529-010	1B	TR,2SD2642	USM	CX-NDS55
S	POWER AMP (FRONT)	Q 0224	87-A30-529-010	1B	TR,2SD2642	USM	CX-NDS50
S	POWER AMP (FRONT)	Q 0224	87-A30-529-010	1B	TR,2SD2642	USM	CX-NDS55

PARTS LIST

! = Δ SAFTY PARTS
 C = Components marked

All components used on this model at the production line are shown in this service manual.

However, please note that not all components will be available as spare parts for after-sales service.

Components marked S and O are designated as spare parts for service and will be stocked at the spare parts centers.

Components marked X and R are not designated as spare parts for after sales service, and will not be stocked at the spare parts centers.

K NO. = Only use Japanese.

! C	UNIT NAME	REF NO.	PARTS CODE	K NO.	DESCRIPTION	SUFFIX	MODEL NAME
S	POWER AMP (FRONT)	Q 0225	87-A30-528-010	1B	TR,2SB1686	USM	CX-NDS50
S	POWER AMP (FRONT)	Q 0225	87-A30-528-010	1B	TR,2SB1686	USM	CX-NDS55
S	POWER AMP (FRONT)	Q 0226	87-A30-528-010	1B	TR,2SB1686	USM	CX-NDS50
S	POWER AMP (FRONT)	Q 0226	87-A30-528-010	1B	TR,2SB1686	USM	CX-NDS55
S	POWER AMP (FRONT)	Q 0227	87-A30-107-070	0E	C-TR,CMBT5401	USM	CX-NDS50
S	POWER AMP (FRONT)	Q 0227	87-A30-107-070	0E	C-TR,CMBT5401	USM	CX-NDS55
S	POWER AMP (FRONT)	Q 0228	87-A30-107-070	0E	C-TR,CMBT5401	USM	CX-NDS50
S	POWER AMP (FRONT)	Q 0228	87-A30-107-070	0E	C-TR,CMBT5401	USM	CX-NDS55
S	POWER AMP (FRONT)	Q 0271	87-A30-076-080	0E	C-TR,2SC3052F	USM	CX-NDS50
S	POWER AMP (FRONT)	Q 0271	87-A30-076-080	0E	C-TR,2SC3052F	USM	CX-NDS55
S	POWER AMP (FRONT)	Q 0272	87-A30-075-080	0E	C-TR,2SA1235F	USM	CX-NDS50
S	POWER AMP (FRONT)	Q 0272	87-A30-075-080	0E	C-TR,2SA1235F	USM	CX-NDS55
S	POWER AMP (FRONT)	Q 0273	87-A30-162-010	1B	FET,2SK2937	USM	CX-NDS50
S	POWER AMP (FRONT)	Q 0273	87-A30-162-010	1B	FET,2SK2937	USM	CX-NDS55
S	POWER AMP (FRONT)	Q 0274	87-A30-075-080	0E	C-TR,2SA1235F	USM	CX-NDS50
S	POWER AMP (FRONT)	Q 0274	87-A30-075-080	0E	C-TR,2SA1235F	USM	CX-NDS55
S	POWER AMP (FRONT)	Q 0275	87-A30-162-010	1B	FET,2SK2937	USM	CX-NDS50
S	POWER AMP (FRONT)	Q 0275	87-A30-162-010	1B	FET,2SK2937	USM	CX-NDS55
X	POWER AMP (FRONT)	R 0101	88-108-472-080	0E	C-RES,U 4.7K-1/16W J	USM	CX-NDS50
X	POWER AMP (FRONT)	R 0101	88-108-472-080	0E	C-RES,U 4.7K-1/16W J	USM	CX-NDS55
X	POWER AMP (FRONT)	R 0102	88-108-472-080	0E	C-RES,U 4.7K-1/16W J	USM	CX-NDS50
X	POWER AMP (FRONT)	R 0102	88-108-472-080	0E	C-RES,U 4.7K-1/16W J	USM	CX-NDS55
X	POWER AMP (FRONT)	R 0103	88-108-472-080	0E	C-RES,U 4.7K-1/16W J	USM	CX-NDS50
X	POWER AMP (FRONT)	R 0103	88-108-472-080	0E	C-RES,U 4.7K-1/16W J	USM	CX-NDS55
X	POWER AMP (FRONT)	R 0104	88-108-472-080	0E	C-RES,U 4.7K-1/16W J	USM	CX-NDS50
X	POWER AMP (FRONT)	R 0104	88-108-472-080	0E	C-RES,U 4.7K-1/16W J	USM	CX-NDS55
X	POWER AMP (FRONT)	R 0105	88-121-104-080	0E	RES,100K-1/8W J	USM	CX-NDS50
X	POWER AMP (FRONT)	R 0105	88-121-104-080	0E	RES,100K-1/8W J	USM	CX-NDS55
X	POWER AMP (FRONT)	R 0111	88-108-102-080	0E	C-RES,U 1K-1/16W J	USM	CX-NDS50
X	POWER AMP (FRONT)	R 0111	88-108-102-080	0E	C-RES,U 1K-1/16W J	USM	CX-NDS55
X	POWER AMP (FRONT)	R 0112	88-108-332-080	0E	C-RES,U 3.3K-1/16W J	USM	CX-NDS50
X	POWER AMP (FRONT)	R 0112	88-108-332-080	0E	C-RES,U 3.3K-1/16W J	USM	CX-NDS55
X	POWER AMP (FRONT)	R 0113	88-108-222-080	0E	C-RES,U 2.2K-1/16W J	USM	CX-NDS50
X	POWER AMP (FRONT)	R 0113	88-108-222-080	0E	C-RES,U 2.2K-1/16W J	USM	CX-NDS55
X	POWER AMP (FRONT)	R 0114	88-108-222-080	0E	C-RES,U 2.2K-1/16W J	USM	CX-NDS50
X	POWER AMP (FRONT)	R 0114	88-108-222-080	0E	C-RES,U 2.2K-1/16W J	USM	CX-NDS55
X	POWER AMP (FRONT)	R 0115	88-108-183-080	0E	C-RES,U 18K-1/16W J	USM	CX-NDS50
X	POWER AMP (FRONT)	R 0115	88-108-183-080	0E	C-RES,U 18K-1/16W J	USM	CX-NDS55
X	POWER AMP (FRONT)	R 0116	88-108-103-080	0E	C-RES,U 10K-1/16W J	USM	CX-NDS50
X	POWER AMP (FRONT)	R 0116	88-108-103-080	0E	C-RES,U 10K-1/16W J	USM	CX-NDS55
X	POWER AMP (FRONT)	R 0117	88-108-105-080	0E	C-RES,U 1M-1/16W J	USM	CX-NDS50
X	POWER AMP (FRONT)	R 0117	88-108-105-080	0E	C-RES,U 1M-1/16W J	USM	CX-NDS55
X	POWER AMP (FRONT)	R 0118	88-108-683-080	0E	C-RES,U 68K-1/16W J	USM	CX-NDS50
X	POWER AMP (FRONT)	R 0118	88-108-683-080	0E	C-RES,U 68K-1/16W J	USM	CX-NDS55
X	POWER AMP (FRONT)	R 0121	88-128-102-080	0E	C-RES, 1K-1/8W J	USM	CX-NDS50
X	POWER AMP (FRONT)	R 0121	88-128-102-080	0E	C-RES, 1K-1/8W J	USM	CX-NDS55
X	POWER AMP (FRONT)	R 0122	88-121-222-080	0E	RES,2.2K-1/8W J	USM	CX-NDS50
X	POWER AMP (FRONT)	R 0122	88-121-222-080	0E	RES,2.2K-1/8W J	USM	CX-NDS55
X	POWER AMP (FRONT)	R 0123	88-108-222-080	0E	C-RES,U 2.2K-1/16W J	USM	CX-NDS50
X	POWER AMP (FRONT)	R 0123	88-108-222-080	0E	C-RES,U 2.2K-1/16W J	USM	CX-NDS55
X	POWER AMP (FRONT)	R 0124	88-108-222-080	0E	C-RES,U 2.2K-1/16W J	USM	CX-NDS50
X	POWER AMP (FRONT)	R 0124	88-108-222-080	0E	C-RES,U 2.2K-1/16W J	USM	CX-NDS55
X	POWER AMP (FRONT)	R 0126	88-108-473-080	0E	C-RES,U 47K-1/16W J	USM	CX-NDS50
X	POWER AMP (FRONT)	R 0126	88-108-473-080	0E	C-RES,U 47K-1/16W J	USM	CX-NDS55
X	POWER AMP (FRONT)	R 0128	88-108-101-080	0E	C-RES,U 100-1/16W J	USM	CX-NDS50
X	POWER AMP (FRONT)	R 0128	88-108-101-080	0E	C-RES,U 100-1/16W J	USM	CX-NDS55
X	POWER AMP (FRONT)	R 0133	88-108-472-080	0E	C-RES,U 4.7K-1/16W J	USM	CX-NDS50
X	POWER AMP (FRONT)	R 0133	88-108-472-080	0E	C-RES,U 4.7K-1/16W J	USM	CX-NDS55
X	POWER AMP (FRONT)	R 0134	88-108-472-080	0E	C-RES,U 4.7K-1/16W J	USM	CX-NDS50
X	POWER AMP (FRONT)	R 0134	88-108-472-080	0E	C-RES,U 4.7K-1/16W J	USM	CX-NDS55
X	POWER AMP (FRONT)	R 0135	88-108-563-080	0E	C-RES,U 56K-1/16W J	USM	CX-NDS50
X	POWER AMP (FRONT)	R 0135	88-108-563-080	0E	C-RES,U 56K-1/16W J	USM	CX-NDS55
X	POWER AMP (FRONT)	R 0136	88-108-563-080	0E	C-RES,U 56K-1/16W J	USM	CX-NDS50
X	POWER AMP (FRONT)	R 0136	88-108-563-080	0E	C-RES,U 56K-1/16W J	USM	CX-NDS55
X	POWER AMP (FRONT)	R 0137	88-108-563-080	0E	C-RES,U 56K-1/16W J	USM	CX-NDS50
X	POWER AMP (FRONT)	R 0137	88-108-563-080	0E	C-RES,U 56K-1/16W J	USM	CX-NDS55
X	POWER AMP (FRONT)	R 0141	88-130-100-080	0E	RES,10-1/4W J	USM	CX-NDS50
X	POWER AMP (FRONT)	R 0141	88-130-100-080	0E	RES,10-1/4W J	USM	CX-NDS55
X	POWER AMP (FRONT)	R 0142	88-130-100-080	0E	RES,10-1/4W J	USM	CX-NDS50
X	POWER AMP (FRONT)	R 0142	88-130-100-080	0E	RES,10-1/4W J	USM	CX-NDS55

PARTS LIST

! = Δ SAFTY PARTS
 C = Components marked

All components used on this model at the production line are shown in this service manual.

However, please note that not all components will be available as spare parts for after-sales service.

Components marked S and O are designated as spare parts for service and will be stocked at the spare parts centers.

Components marked X and R are not designated as spare parts for after sales service, and will not be stocked at the spare parts centers.

K NO. = Only use Japanese.

! C	UNIT NAME	REF NO.	PARTS CODE	K NO.	DESCRIPTION	SUFFIX	MODEL NAME
X	POWER AMP (FRONT)	R 0143	88-128-100-080	OE	C-RES, 10-1/8W J	USM	CX-NDS50
X	POWER AMP (FRONT)	R 0143	88-128-100-080	OE	C-RES, 10-1/8W J	USM	CX-NDS55
X	POWER AMP (FRONT)	R 0144	88-128-100-080	OE	C-RES, 10-1/8W J	USM	CX-NDS50
X	POWER AMP (FRONT)	R 0144	88-128-100-080	OE	C-RES, 10-1/8W J	USM	CX-NDS55
X	POWER AMP (FRONT)	R 0145	88-108-223-080	OE	C-RES,U 22K-1/16W J	USM	CX-NDS50
X	POWER AMP (FRONT)	R 0145	88-108-223-080	OE	C-RES,U 22K-1/16W J	USM	CX-NDS55
X	POWER AMP (FRONT)	R 0146	88-108-223-080	OE	C-RES,U 22K-1/16W J	USM	CX-NDS50
X	POWER AMP (FRONT)	R 0146	88-108-223-080	OE	C-RES,U 22K-1/16W J	USM	CX-NDS55
X	POWER AMP (FRONT)	R 0147	88-108-122-080	OE	C-RES,U 1.2K-1/16W J	USM	CX-NDS50
X	POWER AMP (FRONT)	R 0147	88-108-122-080	OE	C-RES,U 1.2K-1/16W J	USM	CX-NDS55
O	POWER AMP (FRONT)	R 0149	87-A01-001-050	OE	RES,220-1/2W J BLT2J	USM	CX-NDS50
O	POWER AMP (FRONT)	R 0149	87-A01-001-050	OE	RES,220-1/2W J BLT2J	USM	CX-NDS55
O	POWER AMP (FRONT)	R 0150	87-A01-001-050	OE	RES,220-1/2W J BLT2J	USM	CX-NDS50
O	POWER AMP (FRONT)	R 0150	87-A01-001-050	OE	RES,220-1/2W J BLT2J	USM	CX-NDS55
O	POWER AMP (FRONT)	R 0151	87-A01-001-050	OE	RES,220-1/2W J BLT2J	USM	CX-NDS50
O	POWER AMP (FRONT)	R 0151	87-A01-001-050	OE	RES,220-1/2W J BLT2J	USM	CX-NDS55
O	POWER AMP (FRONT)	R 0152	87-A01-001-050	OE	RES,220-1/2W J BLT2J	USM	CX-NDS50
O	POWER AMP (FRONT)	R 0152	87-A01-001-050	OE	RES,220-1/2W J BLT2J	USM	CX-NDS55
X	POWER AMP (FRONT)	R 0153	88-108-102-080	OE	C-RES,U 1K-1/16W J	USM	CX-NDS50
X	POWER AMP (FRONT)	R 0153	88-108-102-080	OE	C-RES,U 1K-1/16W J	USM	CX-NDS55
X	POWER AMP (FRONT)	R 0154	88-128-102-080	OE	C-RES, 1K-1/8W J	USM	CX-NDS50
X	POWER AMP (FRONT)	R 0154	88-128-102-080	OE	C-RES, 1K-1/8W J	USM	CX-NDS55
X	POWER AMP (FRONT)	R 0155	88-128-222-080	OE	C-RES, 2.2K-1/8W J	USM	CX-NDS50
X	POWER AMP (FRONT)	R 0155	88-128-222-080	OE	C-RES, 2.2K-1/8W J	USM	CX-NDS55
X	POWER AMP (FRONT)	R 0156	88-121-222-080	OE	RES,2.2K-1/8W J	USM	CX-NDS50
X	POWER AMP (FRONT)	R 0156	88-121-222-080	OE	RES,2.2K-1/8W J	USM	CX-NDS55
X	POWER AMP (FRONT)	R 0170	88-108-103-080	OE	C-RES,U 10K-1/16W J	USM	CX-NDS50
X	POWER AMP (FRONT)	R 0170	88-108-103-080	OE	C-RES,U 10K-1/16W J	USM	CX-NDS55
X	POWER AMP (FRONT)	R 0171	88-118-103-080	OE	C-RES,S 10K-1/10W J	USM	CX-NDS50
X	POWER AMP (FRONT)	R 0171	88-118-103-080	OE	C-RES,S 10K-1/10W J	USM	CX-NDS55
X	POWER AMP (FRONT)	R 0172	88-121-103-080	OE	RES,10K-1/8W J	USM	CX-NDS50
X	POWER AMP (FRONT)	R 0172	88-121-103-080	OE	RES,10K-1/8W J	USM	CX-NDS55
X	POWER AMP (FRONT)	R 0173	88-118-473-080	OE	C-RES,S 47K-1/10W J	USM	CX-NDS50
X	POWER AMP (FRONT)	R 0173	88-118-473-080	OE	C-RES,S 47K-1/10W J	USM	CX-NDS55
X	POWER AMP (FRONT)	R 0174	88-108-103-080	OE	C-RES,U 10K-1/16W J	USM	CX-NDS50
X	POWER AMP (FRONT)	R 0174	88-108-103-080	OE	C-RES,U 10K-1/16W J	USM	CX-NDS55
X	POWER AMP (FRONT)	R 0175	88-118-473-080	OE	C-RES,S 47K-1/10W J	USM	CX-NDS50
X	POWER AMP (FRONT)	R 0175	88-118-473-080	OE	C-RES,S 47K-1/10W J	USM	CX-NDS55
X	POWER AMP (FRONT)	R 0176	88-108-182-080	OE	C-RES,U 1.8K-1/16W J	USM	CX-NDS50
X	POWER AMP (FRONT)	R 0176	88-108-182-080	OE	C-RES,U 1.8K-1/16W J	USM	CX-NDS55
X	POWER AMP (FRONT)	R 0177	88-118-103-080	OE	C-RES,S 10K-1/10W J	USM	CX-NDS50
X	POWER AMP (FRONT)	R 0177	88-118-103-080	OE	C-RES,S 10K-1/10W J	USM	CX-NDS55
X	POWER AMP (FRONT)	R 0178	88-108-333-080	OE	C-RES,U 33K-1/16W J	USM	CX-NDS50
X	POWER AMP (FRONT)	R 0178	88-108-333-080	OE	C-RES,U 33K-1/16W J	USM	CX-NDS55
X	POWER AMP (FRONT)	R 0179	88-128-224-080	OE	C-RES, 220K-1/8W J	USM	CX-NDS50
X	POWER AMP (FRONT)	R 0179	88-128-224-080	OE	C-RES, 220K-1/8W J	USM	CX-NDS55
X	POWER AMP (FRONT)	R 0180	88-108-224-080	OE	C-RES,U 220K-1/16W J	USM	CX-NDS50
X	POWER AMP (FRONT)	R 0180	88-108-224-080	OE	C-RES,U 220K-1/16W J	USM	CX-NDS55
X	POWER AMP (FRONT)	R 0181	88-108-473-080	OE	C-RES,U 47K-1/16W J	USM	CX-NDS50
X	POWER AMP (FRONT)	R 0181	88-108-473-080	OE	C-RES,U 47K-1/16W J	USM	CX-NDS55
X	POWER AMP (FRONT)	R 0182	88-108-473-080	OE	C-RES,U 47K-1/16W J	USM	CX-NDS50
X	POWER AMP (FRONT)	R 0182	88-108-473-080	OE	C-RES,U 47K-1/16W J	USM	CX-NDS55
X	POWER AMP (FRONT)	R 0203	88-118-273-080	OE	C-RES,S 27K-1/10W J	USM	CX-NDS50
X	POWER AMP (FRONT)	R 0203	88-118-273-080	OE	C-RES,S 27K-1/10W J	USM	CX-NDS55
X	POWER AMP (FRONT)	R 0204	88-118-273-080	OE	C-RES,S 27K-1/10W J	USM	CX-NDS50
X	POWER AMP (FRONT)	R 0204	88-118-273-080	OE	C-RES,S 27K-1/10W J	USM	CX-NDS55
X	POWER AMP (FRONT)	R 0205	88-118-222-080	OE	C-RES,S 2.2K-1/10W J	USM	CX-NDS50
X	POWER AMP (FRONT)	R 0205	88-118-222-080	OE	C-RES,S 2.2K-1/10W J	USM	CX-NDS55
X	POWER AMP (FRONT)	R 0206	88-118-222-080	OE	C-RES,S 2.2K-1/10W J	USM	CX-NDS50
X	POWER AMP (FRONT)	R 0206	88-118-222-080	OE	C-RES,S 2.2K-1/10W J	USM	CX-NDS55
X	POWER AMP (FRONT)	R 0207	88-118-102-080	OE	C-RES,S 1K-1/10W J	USM	CX-NDS50
X	POWER AMP (FRONT)	R 0207	88-118-102-080	OE	C-RES,S 1K-1/10W J	USM	CX-NDS55
X	POWER AMP (FRONT)	R 0208	88-118-102-080	OE	C-RES,S 1K-1/10W J	USM	CX-NDS50
X	POWER AMP (FRONT)	R 0208	88-118-102-080	OE	C-RES,S 1K-1/10W J	USM	CX-NDS55
X	POWER AMP (FRONT)	R 0209	88-128-222-080	OE	C-RES, 2.2K-1/8W J	USM	CX-NDS50
X	POWER AMP (FRONT)	R 0209	88-128-222-080	OE	C-RES, 2.2K-1/8W J	USM	CX-NDS55
X	POWER AMP (FRONT)	R 0210	88-128-222-080	OE	C-RES, 2.2K-1/8W J	USM	CX-NDS50
X	POWER AMP (FRONT)	R 0210	88-128-222-080	OE	C-RES, 2.2K-1/8W J	USM	CX-NDS55
X	POWER AMP (FRONT)	R 0211	88-128-222-080	OE	C-RES, 2.2K-1/8W J	USM	CX-NDS50
X	POWER AMP (FRONT)	R 0211	88-128-222-080	OE	C-RES, 2.2K-1/8W J	USM	CX-NDS55

PARTS LIST

! = Δ SAFTY PARTS
 C = Components marked

All components used on this model at the production line are shown in this service manual.

However, please note that not all components will be available as spare parts for after-sales service.

Components marked S and O are designated as spare parts for service and will be stocked at the spare parts centers.

Components marked X and R are not designated as spare parts for after sales service, and will not be stocked at the spare parts centers.

K NO. = Only use Japanese.

! C	UNIT NAME	REF NO.	PARTS CODE	K NO.	DESCRIPTION	SUFFIX	MODEL NAME
X	POWER AMP (FRONT)	R 0212	88-128-222-080	0E	C-RES, 2.2K-1/8W J	USM	CX-NDS50
X	POWER AMP (FRONT)	R 0212	88-128-222-080	0E	C-RES, 2.2K-1/8W J	USM	CX-NDS55
X	POWER AMP (FRONT)	R 0213	88-128-102-080	0E	C-RES, 1K-1/8W J	USM	CX-NDS50
X	POWER AMP (FRONT)	R 0213	88-128-102-080	0E	C-RES, 1K-1/8W J	USM	CX-NDS55
X	POWER AMP (FRONT)	R 0214	88-128-102-080	0E	C-RES, 1K-1/8W J	USM	CX-NDS50
X	POWER AMP (FRONT)	R 0214	88-128-102-080	0E	C-RES, 1K-1/8W J	USM	CX-NDS55
X	POWER AMP (FRONT)	R 0215	88-108-103-080	0E	C-RES,U 10K-1/16W J	USM	CX-NDS50
X	POWER AMP (FRONT)	R 0215	88-108-103-080	0E	C-RES,U 10K-1/16W J	USM	CX-NDS55
X	POWER AMP (FRONT)	R 0216	88-108-103-080	0E	C-RES,U 10K-1/16W J	USM	CX-NDS50
X	POWER AMP (FRONT)	R 0216	88-108-103-080	0E	C-RES,U 10K-1/16W J	USM	CX-NDS55
X	POWER AMP (FRONT)	R 0217	88-108-101-080	0E	C-RES,U 100-1/16W J	USM	CX-NDS50
X	POWER AMP (FRONT)	R 0217	88-108-101-080	0E	C-RES,U 100-1/16W J	USM	CX-NDS55
X	POWER AMP (FRONT)	R 0218	88-108-101-080	0E	C-RES,U 100-1/16W J	USM	CX-NDS50
X	POWER AMP (FRONT)	R 0218	88-108-101-080	0E	C-RES,U 100-1/16W J	USM	CX-NDS55
X	POWER AMP (FRONT)	R 0219	88-118-273-080	0E	C-RES,S 27K-1/10W J	USM	CX-NDS50
X	POWER AMP (FRONT)	R 0219	88-118-273-080	0E	C-RES,S 27K-1/10W J	USM	CX-NDS55
X	POWER AMP (FRONT)	R 0220	88-118-273-080	0E	C-RES,S 27K-1/10W J	USM	CX-NDS50
X	POWER AMP (FRONT)	R 0220	88-118-273-080	0E	C-RES,S 27K-1/10W J	USM	CX-NDS55
X	POWER AMP (FRONT)	R 0221	88-108-152-080	0E	C-RES,U 1.5K-1/16W J	USM	CX-NDS50
X	POWER AMP (FRONT)	R 0221	88-108-152-080	0E	C-RES,U 1.5K-1/16W J	USM	CX-NDS55
X	POWER AMP (FRONT)	R 0222	88-108-152-080	0E	C-RES,U 1.5K-1/16W J	USM	CX-NDS50
X	POWER AMP (FRONT)	R 0222	88-108-152-080	0E	C-RES,U 1.5K-1/16W J	USM	CX-NDS55
X	POWER AMP (FRONT)	R 0223	88-118-101-080	0E	C-RES,S 100-1/10W J	USM	CX-NDS50
X	POWER AMP (FRONT)	R 0223	88-118-101-080	0E	C-RES,S 100-1/10W J	USM	CX-NDS55
X	POWER AMP (FRONT)	R 0224	88-118-101-080	0E	C-RES,S 100-1/10W J	USM	CX-NDS50
X	POWER AMP (FRONT)	R 0224	88-118-101-080	0E	C-RES,S 100-1/10W J	USM	CX-NDS55
X	POWER AMP (FRONT)	R 0225	88-118-101-080	0E	C-RES,S 100-1/10W J	USM	CX-NDS50
X	POWER AMP (FRONT)	R 0225	88-118-101-080	0E	C-RES,S 100-1/10W J	USM	CX-NDS55
X	POWER AMP (FRONT)	R 0226	88-118-101-080	0E	C-RES,S 100-1/10W J	USM	CX-NDS50
X	POWER AMP (FRONT)	R 0226	88-118-101-080	0E	C-RES,S 100-1/10W J	USM	CX-NDS55
X	POWER AMP (FRONT)	R 0227	88-108-473-080	0E	C-RES,U 47K-1/16W J	USM	CX-NDS50
X	POWER AMP (FRONT)	R 0227	88-108-473-080	0E	C-RES,U 47K-1/16W J	USM	CX-NDS55
X	POWER AMP (FRONT)	R 0228	88-108-473-080	0E	C-RES,U 47K-1/16W J	USM	CX-NDS50
X	POWER AMP (FRONT)	R 0228	88-108-473-080	0E	C-RES,U 47K-1/16W J	USM	CX-NDS55
X	POWER AMP (FRONT)	R 0229	88-108-103-080	0E	C-RES,U 10K-1/16W J	USM	CX-NDS50
X	POWER AMP (FRONT)	R 0229	88-108-103-080	0E	C-RES,U 10K-1/16W J	USM	CX-NDS55
X	POWER AMP (FRONT)	R 0230	88-108-103-080	0E	C-RES,U 10K-1/16W J	USM	CX-NDS50
X	POWER AMP (FRONT)	R 0230	88-108-103-080	0E	C-RES,U 10K-1/16W J	USM	CX-NDS55
X	POWER AMP (FRONT)	R 0231	88-118-390-080	0E	C-RES,S 39-1/10W J	USM	CX-NDS50
X	POWER AMP (FRONT)	R 0231	88-118-390-080	0E	C-RES,S 39-1/10W J	USM	CX-NDS55
X	POWER AMP (FRONT)	R 0232	88-118-390-080	0E	C-RES,S 39-1/10W J	USM	CX-NDS50
X	POWER AMP (FRONT)	R 0232	88-118-390-080	0E	C-RES,S 39-1/10W J	USM	CX-NDS55
X	POWER AMP (FRONT)	R 0233	88-118-390-080	0E	C-RES,S 39-1/10W J	USM	CX-NDS50
X	POWER AMP (FRONT)	R 0233	88-118-390-080	0E	C-RES,S 39-1/10W J	USM	CX-NDS55
X	POWER AMP (FRONT)	R 0234	88-118-390-080	0E	C-RES,S 39-1/10W J	USM	CX-NDS50
X	POWER AMP (FRONT)	R 0234	88-118-390-080	0E	C-RES,S 39-1/10W J	USM	CX-NDS55
X	POWER AMP (FRONT)	R 0235	88-118-271-080	0E	C-RES,S 270-1/10W J	USM	CX-NDS50
X	POWER AMP (FRONT)	R 0235	88-118-271-080	0E	C-RES,S 270-1/10W J	USM	CX-NDS55
X	POWER AMP (FRONT)	R 0236	88-118-271-080	0E	C-RES,S 270-1/10W J	USM	CX-NDS50
X	POWER AMP (FRONT)	R 0236	88-118-271-080	0E	C-RES,S 270-1/10W J	USM	CX-NDS55
X	POWER AMP (FRONT)	R 0237	88-118-152-080	0E	C-RES,S 1.5K-1/10W J	USM	CX-NDS50
X	POWER AMP (FRONT)	R 0237	88-118-152-080	0E	C-RES,S 1.5K-1/10W J	USM	CX-NDS55
X	POWER AMP (FRONT)	R 0238	88-118-152-080	0E	C-RES,S 1.5K-1/10W J	USM	CX-NDS50
X	POWER AMP (FRONT)	R 0238	88-118-152-080	0E	C-RES,S 1.5K-1/10W J	USM	CX-NDS55
X	POWER AMP (FRONT)	R 0239	88-118-222-080	0E	C-RES,S 2.2K-1/10W J	USM	CX-NDS50
X	POWER AMP (FRONT)	R 0239	88-118-222-080	0E	C-RES,S 2.2K-1/10W J	USM	CX-NDS55
X	POWER AMP (FRONT)	R 0240	88-118-222-080	0E	C-RES,S 2.2K-1/10W J	USM	CX-NDS50
X	POWER AMP (FRONT)	R 0240	88-118-222-080	0E	C-RES,S 2.2K-1/10W J	USM	CX-NDS55
X	POWER AMP (FRONT)	R 0241	88-118-331-080	0E	C-RES,S 330-1/10W J	USM	CX-NDS50
X	POWER AMP (FRONT)	R 0241	88-118-331-080	0E	C-RES,S 330-1/10W J	USM	CX-NDS55
X	POWER AMP (FRONT)	R 0242	88-121-331-080	0E	RES,330-1/8W J	USM	CX-NDS50
X	POWER AMP (FRONT)	R 0242	88-121-331-080	0E	RES,330-1/8W J	USM	CX-NDS55
X	POWER AMP (FRONT)	R 0243	88-108-101-080	0E	C-RES,U 100-1/16W J	USM	CX-NDS50
X	POWER AMP (FRONT)	R 0243	88-108-101-080	0E	C-RES,U 100-1/16W J	USM	CX-NDS55
X	POWER AMP (FRONT)	R 0244	88-108-101-080	0E	C-RES,U 100-1/16W J	USM	CX-NDS50
X	POWER AMP (FRONT)	R 0244	88-108-101-080	0E	C-RES,U 100-1/16W J	USM	CX-NDS55
X	POWER AMP (FRONT)	R 0245	88-108-222-080	0E	C-RES,U 2.2K-1/16W J	USM	CX-NDS50
X	POWER AMP (FRONT)	R 0245	88-108-222-080	0E	C-RES,U 2.2K-1/16W J	USM	CX-NDS55
X	POWER AMP (FRONT)	R 0246	88-108-222-080	0E	C-RES,U 2.2K-1/16W J	USM	CX-NDS50
X	POWER AMP (FRONT)	R 0246	88-108-222-080	0E	C-RES,U 2.2K-1/16W J	USM	CX-NDS55

PARTS LIST

! = Δ SAFTY PARTS
 C = Components marked

All components used on this model at the production line are shown in this service manual.

However, please note that not all components will be available as spare parts for after-sales service.

Components marked S and O are designated as spare parts for service and will be stocked at the spare parts centers.

Components marked X and R are not designated as spare parts for after sales service, and will not be stocked at the spare parts centers.

K NO. = Only use Japanese.

! C	UNIT NAME	REF NO.	PARTS CODE	K NO.	DESCRIPTION	SUFFIX	MODEL NAME
X	POWER AMP (FRONT)	R 0247	88-108-182-080	0E	C-RES,U 1.8K-1/16W J	USM	CX-NDS50
X	POWER AMP (FRONT)	R 0247	88-108-182-080	0E	C-RES,U 1.8K-1/16W J	USM	CX-NDS55
X	POWER AMP (FRONT)	R 0248	88-108-182-080	0E	C-RES,U 1.8K-1/16W J	USM	CX-NDS50
X	POWER AMP (FRONT)	R 0248	88-108-182-080	0E	C-RES,U 1.8K-1/16W J	USM	CX-NDS55
X	POWER AMP (FRONT)	R 0249	88-108-103-080	0E	C-RES,U 10K-1/16W J	USM	CX-NDS50
X	POWER AMP (FRONT)	R 0249	88-108-103-080	0E	C-RES,U 10K-1/16W J	USM	CX-NDS55
X	POWER AMP (FRONT)	R 0250	88-108-103-080	0E	C-RES,U 10K-1/16W J	USM	CX-NDS50
X	POWER AMP (FRONT)	R 0250	88-108-103-080	0E	C-RES,U 10K-1/16W J	USM	CX-NDS55
X	POWER AMP (FRONT)	R 0253	88-118-102-080	0E	C-RES,S 1K-1/10W J	USM	CX-NDS50
X	POWER AMP (FRONT)	R 0253	88-118-102-080	0E	C-RES,S 1K-1/10W J	USM	CX-NDS55
X	POWER AMP (FRONT)	R 0254	88-118-102-080	0E	C-RES,S 1K-1/10W J	USM	CX-NDS50
X	POWER AMP (FRONT)	R 0254	88-118-102-080	0E	C-RES,S 1K-1/10W J	USM	CX-NDS55
O	POWER AMP (FRONT)	R 0255	87-A00-262-080	0E	RES,M/F 0.15-2W J	USM	CX-NDS50
O	POWER AMP (FRONT)	R 0255	87-A00-262-080	0E	RES,M/F 0.15-2W J	USM	CX-NDS55
O	POWER AMP (FRONT)	R 0256	87-A00-262-080	0E	RES,M/F 0.15-2W J	USM	CX-NDS50
O	POWER AMP (FRONT)	R 0256	87-A00-262-080	0E	RES,M/F 0.15-2W J	USM	CX-NDS55
O	POWER AMP (FRONT)	R 0259	87-A00-262-080	0E	RES,M/F 0.15-2W J	USM	CX-NDS50
O	POWER AMP (FRONT)	R 0259	87-A00-262-080	0E	RES,M/F 0.15-2W J	USM	CX-NDS55
O	POWER AMP (FRONT)	R 0260	87-A00-262-080	0E	RES,M/F 0.15-2W J	USM	CX-NDS50
O	POWER AMP (FRONT)	R 0260	87-A00-262-080	0E	RES,M/F 0.15-2W J	USM	CX-NDS55
X	POWER AMP (FRONT)	R 0263	88-108-472-080	0E	C-RES,U 4.7K-1/16W J	USM	CX-NDS50
X	POWER AMP (FRONT)	R 0263	88-108-472-080	0E	C-RES,U 4.7K-1/16W J	USM	CX-NDS55
X	POWER AMP (FRONT)	R 0267	88-108-472-080	0E	C-RES,U 4.7K-1/16W J	USM	CX-NDS50
X	POWER AMP (FRONT)	R 0267	88-108-472-080	0E	C-RES,U 4.7K-1/16W J	USM	CX-NDS55
X	POWER AMP (FRONT)	R 0268	88-108-472-080	0E	C-RES,U 4.7K-1/16W J	USM	CX-NDS50
X	POWER AMP (FRONT)	R 0268	88-108-472-080	0E	C-RES,U 4.7K-1/16W J	USM	CX-NDS55
X	POWER AMP (FRONT)	R 0269	88-108-472-080	0E	C-RES,U 4.7K-1/16W J	USM	CX-NDS50
X	POWER AMP (FRONT)	R 0269	88-108-472-080	0E	C-RES,U 4.7K-1/16W J	USM	CX-NDS55
X	POWER AMP (FRONT)	R 0270	88-108-472-080	0E	C-RES,U 4.7K-1/16W J	USM	CX-NDS50
X	POWER AMP (FRONT)	R 0270	88-108-472-080	0E	C-RES,U 4.7K-1/16W J	USM	CX-NDS55
X	POWER AMP (FRONT)	R 0271	88-108-473-080	0E	C-RES,U 47K-1/16W J	USM	CX-NDS50
X	POWER AMP (FRONT)	R 0271	88-108-473-080	0E	C-RES,U 47K-1/16W J	USM	CX-NDS55
X	POWER AMP (FRONT)	R 0272	88-108-473-080	0E	C-RES,U 47K-1/16W J	USM	CX-NDS50
X	POWER AMP (FRONT)	R 0272	88-108-473-080	0E	C-RES,U 47K-1/16W J	USM	CX-NDS55
X	POWER AMP (FRONT)	R 0273	88-108-473-080	0E	C-RES,U 47K-1/16W J	USM	CX-NDS50
X	POWER AMP (FRONT)	R 0273	88-108-473-080	0E	C-RES,U 47K-1/16W J	USM	CX-NDS55
X	POWER AMP (FRONT)	R 0274	88-108-473-080	0E	C-RES,U 47K-1/16W J	USM	CX-NDS50
X	POWER AMP (FRONT)	R 0274	88-108-473-080	0E	C-RES,U 47K-1/16W J	USM	CX-NDS55
X	POWER AMP (FRONT)	R 0275	88-108-103-080	0E	C-RES,U 10K-1/16W J	USM	CX-NDS50
X	POWER AMP (FRONT)	R 0275	88-108-103-080	0E	C-RES,U 10K-1/16W J	USM	CX-NDS55
X	POWER AMP (FRONT)	R 0276	88-128-392-080	0E	C-RES, 3.9K-1/8W J	USM	CX-NDS50
X	POWER AMP (FRONT)	R 0276	88-128-392-080	0E	C-RES, 3.9K-1/8W J	USM	CX-NDS55
X	POWER AMP (FRONT)	R 0277	88-118-103-080	0E	C-RES,S 10K-1/10W J	USM	CX-NDS50
X	POWER AMP (FRONT)	R 0277	88-118-103-080	0E	C-RES,S 10K-1/10W J	USM	CX-NDS55
X	POWER AMP (FRONT)	R 0278	88-108-332-080	0E	C-RES,U 3.3K-1/16W J	USM	CX-NDS50
X	POWER AMP (FRONT)	R 0278	88-108-332-080	0E	C-RES,U 3.3K-1/16W J	USM	CX-NDS55
X	POWER AMP (FRONT)	R 0279	88-128-222-080	0E	C-RES, 2.2K-1/8W J	USM	CX-NDS50
X	POWER AMP (FRONT)	R 0279	88-128-222-080	0E	C-RES, 2.2K-1/8W J	USM	CX-NDS55
X	POWER AMP (FRONT)	R 0280	88-128-222-080	0E	C-RES, 2.2K-1/8W J	USM	CX-NDS50
X	POWER AMP (FRONT)	R 0280	88-128-222-080	0E	C-RES, 2.2K-1/8W J	USM	CX-NDS55
X	POWER AMP (FRONT)	R 0281	88-108-225-080	0E	C-RES,U 2.2M-1/16W J	USM	CX-NDS50
X	POWER AMP (FRONT)	R 0281	88-108-225-080	0E	C-RES,U 2.2M-1/16W J	USM	CX-NDS55
X	POWER AMP (FRONT)	R 0282	88-108-103-080	0E	C-RES,U 10K-1/16W J	USM	CX-NDS50
X	POWER AMP (FRONT)	R 0282	88-108-103-080	0E	C-RES,U 10K-1/16W J	USM	CX-NDS55
X	POWER AMP (FRONT)	R 0283	88-128-392-080	0E	C-RES, 3.9K-1/8W J	USM	CX-NDS50
X	POWER AMP (FRONT)	R 0283	88-128-392-080	0E	C-RES, 3.9K-1/8W J	USM	CX-NDS55
X	POWER AMP (FRONT)	R 0284	88-128-392-080	0E	C-RES, 3.9K-1/8W J	USM	CX-NDS50
X	POWER AMP (FRONT)	R 0284	88-128-392-080	0E	C-RES, 3.9K-1/8W J	USM	CX-NDS55
X	POWER AMP (FRONT)	R 0285	88-118-152-080	0E	C-RES,S 1.5K-1/10W J	USM	CX-NDS50
X	POWER AMP (FRONT)	R 0285	88-118-152-080	0E	C-RES,S 1.5K-1/10W J	USM	CX-NDS55
X	POWER AMP (FRONT)	R 0287	88-118-681-080	0E	C-RES,S 680-1/10W J	USM	CX-NDS50
X	POWER AMP (FRONT)	R 0287	88-118-681-080	0E	C-RES,S 680-1/10W J	USM	CX-NDS55
X	POWER AMP (FRONT)	R 0288	88-128-392-080	0E	C-RES, 3.9K-1/8W J	USM	CX-NDS50
X	POWER AMP (FRONT)	R 0288	88-128-392-080	0E	C-RES, 3.9K-1/8W J	USM	CX-NDS55
X	POWER AMP (FRONT)	R 0289	88-118-102-080	0E	C-RES,S 1K-1/10W J	USM	CX-NDS50
X	POWER AMP (FRONT)	R 0289	88-118-102-080	0E	C-RES,S 1K-1/10W J	USM	CX-NDS55
X	POWER AMP (FRONT)	R 0290	88-128-392-080	0E	C-RES, 3.9K-1/8W J	USM	CX-NDS50
X	POWER AMP (FRONT)	R 0290	88-128-392-080	0E	C-RES, 3.9K-1/8W J	USM	CX-NDS55
X	POWER AMP (FRONT)	R 0291	88-128-392-080	0E	C-RES, 3.9K-1/8W J	USM	CX-NDS50
X	POWER AMP (FRONT)	R 0291	88-128-392-080	0E	C-RES, 3.9K-1/8W J	USM	CX-NDS55

PARTS LIST

! = Δ SAFTY PARTS
 C = Components marked

All components used on this model at the production line are shown in this service manual.

However, please note that not all components will be available as spare parts for after-sales service.

Components marked S and O are designated as spare parts for service and will be stocked at the spare parts centers.

Components marked X and R are not designated as spare parts for after sales service, and will not be stocked at the spare parts centers.

K NO. = Only use Japanese.

! C	UNIT NAME	REF NO.	PARTS CODE	K NO.	DESCRIPTION	SUFFIX	MODEL NAME	
X	POWER AMP (FRONT)	R 0295	88-118-223-080	0E	C-RES, S 22K-1/10W J	USM	CX-NDS50	
X	POWER AMP (FRONT)	R 0295	88-118-223-080	0E	C-RES, S 22K-1/10W J	USM	CX-NDS55	
O	POWER AMP (FRONT)	TH 0201	87-A91-042-080	0E	C-THMS, 100K 55001	USM	CX-NDS50	
O	POWER AMP (FRONT)	TH 0201	87-A91-042-080	0E	C-THMS, 100K 55001	USM	CX-NDS55	
O	POWER AMP (FRONT)	TH 0202	87-A91-042-080	0E	C-THMS, 100K 55001	USM	CX-NDS50	
O	POWER AMP (FRONT)	TH 0202	87-A91-042-080	0E	C-THMS, 100K 55001	USM	CX-NDS55	
X	POWER AMP (FRONT)	W 0101	83-NEA-636-010	0E	FASTON ASSY NEA	USM	CX-NDS50	
X	POWER AMP (FRONT)	W 0101	83-NEA-636-010	0E	FASTON ASSY NEA	USM	CX-NDS55	
X	PRINTED DU		87-B40-085-010	0E	BAG, PV 0.04-200-350 PL	USM	CX-NDS50	
X	PRINTED DU		87-B40-085-010	0E	BAG, PV 0.04-200-350 PL	USM	CX-NDS55	
X	PRINTED DU		87-B50-053-010	0E	WARR-CARD, USA CUST/AV, VISUAL	USM	CX-NDS50	
X	PRINTED DU		87-B50-053-010	0E	WARR-CARD, USA CUST/AV, VISUAL	USM	CX-NDS55	
O	PRINTED DU		8B-NCK-903-110	--	IB, U (ESF)M	USM	CX-NDS50	
O	PRINTED DU		8B-NCK-903-110	--	IB, U (ESF)M	USM	CX-NDS55	
X	PT		8B-NCK-640-010	1B	PWB, PT 76 4M	USM	CX-NDS50	
X	PT		8B-NCK-640-010	1B	PWB, PT 76 4M	USM	CX-NDS55	
O	PT	C 0001	87-A10-831-080	1A	CAP, E 1000-25 M SMG	USM	CX-NDS50	
O	PT	C 0001	87-A10-831-080	1A	CAP, E 1000-25 M SMG	USM	CX-NDS55	
!	O	PT	CN 0001	87-A61-110-010	0E	CONN, 9P V TTD-A	USM	CX-NDS50
!	O	PT	CN 0001	87-A61-110-010	0E	CONN, 9P V TTD-A	USM	CX-NDS55
S	PT	D 0002	87-A40-291-080	0E	DIODE, 1N4148M (CPT)	USM	CX-NDS50	
S	PT	D 0002	87-A40-291-080	0E	DIODE, 1N4148M (CPT)	USM	CX-NDS55	
S	PT	D 0003	87-A40-291-080	0E	DIODE, 1N4148M (CPT)	USM	CX-NDS50	
S	PT	D 0003	87-A40-291-080	0E	DIODE, 1N4148M (CPT)	USM	CX-NDS55	
S	PT	D 0004	87-A40-291-080	0E	DIODE, 1N4148M (CPT)	USM	CX-NDS50	
S	PT	D 0004	87-A40-291-080	0E	DIODE, 1N4148M (CPT)	USM	CX-NDS55	
S	PT	D 0005	87-A40-291-080	0E	DIODE, 1N4148M (CPT)	USM	CX-NDS50	
S	PT	D 0005	87-A40-291-080	0E	DIODE, 1N4148M (CPT)	USM	CX-NDS55	
X	PT	PR 0003	88-100-000-010	0E	PLATING-JW, 0.58 SN95	USM	CX-NDS50	
X	PT	PR 0003	88-100-000-010	0E	PLATING-JW, 0.58 SN95	USM	CX-NDS55	
!	O	PT	PT 0002	8B-NF9-661-010	1B	PT, SUB BNF U (TAM)	USM	CX-NDS50
!	O	PT	PT 0002	8B-NF9-661-010	1B	PT, SUB BNF U (TAM)	USM	CX-NDS55
X	PT	R 0001	88-140-225-080	0E	RES, 2.2M-1/2W J	USM	CX-NDS50	
X	PT	R 0001	88-140-225-080	0E	RES, 2.2M-1/2W J	USM	CX-NDS55	
!	O	PT	RY 0002	87-A91-418-010	1B	RELAY, AC12V G5PA-1-M	USM	CX-NDS50
!	O	PT	RY 0002	87-A91-418-010	1B	RELAY, AC12V G5PA-1-M	USM	CX-NDS55
O	PT	T 0001	87-A60-317-010	0E	TERMINAL, 1P MSC	USM	CX-NDS50	
O	PT	T 0001	87-A60-317-010	0E	TERMINAL, 1P MSC	USM	CX-NDS55	
O	PT	T 0002	87-A60-317-010	0E	TERMINAL, 1P MSC	USM	CX-NDS50	
O	PT	T 0002	87-A60-317-010	0E	TERMINAL, 1P MSC	USM	CX-NDS55	
O	SCREW		87-067-579-010	0E	BVT2+3-8 W/O SLOT	USM	CX-NDS50	
O	SCREW		87-067-579-010	0E	BVT2+3-8 W/O SLOT	USM	CX-NDS55	
O	SCREW		87-067-585-010	0E	BVTT+4-6	USM	CX-NDS50	
O	SCREW		87-067-585-010	0E	BVTT+4-6	USM	CX-NDS55	
O	SCREW		87-067-641-010	0E	UTT2+3-8 W/O SLOT BLK	USM	CX-NDS50	
O	SCREW		87-067-641-010	0E	UTT2+3-8 W/O SLOT BLK	USM	CX-NDS55	
O	SCREW		87-067-688-010	0E	BVTT+3-6	USM	CX-NDS50	
O	SCREW		87-067-688-010	0E	BVTT+3-6	USM	CX-NDS55	
O	SCREW		87-067-689-010	0E	BVTT+3-8	USM	CX-NDS50	
O	SCREW		87-067-689-010	0E	BVTT+3-8	USM	CX-NDS55	
O	SCREW		87-067-698-010	0E	BVT2+3-18 W/O SLOT	USM	CX-NDS50	
O	SCREW		87-067-698-010	0E	BVT2+3-18 W/O SLOT	USM	CX-NDS55	
O	SCREW		87-067-703-010	0E	BVT2+3-10 W/O SLOT	USM	CX-NDS50	
O	SCREW		87-067-703-010	0E	BVT2+3-10 W/O SLOT	USM	CX-NDS55	
O	SCREW		87-067-758-010	0E	BVT2+3-12 W/O SLOT	USM	CX-NDS50	
O	SCREW		87-067-758-010	0E	BVT2+3-12 W/O SLOT	USM	CX-NDS55	
O	SCREW		87-078-200-010	0E	S-SCREW, ITC+4-8 R	USM	CX-NDS50	
O	SCREW		87-078-200-010	0E	S-SCREW, ITC+4-8 R	USM	CX-NDS55	
O	SCREW		87-721-096-410	0E	QT2+3-10 W/O SLOT	USM	CX-NDS50	
O	SCREW		87-721-096-410	0E	QT2+3-10 W/O SLOT	USM	CX-NDS55	
O	SCREW		87-721-097-410	0E	QT2+3-12 W/O SLOT	USM	CX-NDS50	
O	SCREW		87-721-097-410	0E	QT2+3-12 W/O SLOT	USM	CX-NDS55	
O	SCREW		87-723-096-410	0E	QT2+3-10 W/O SLOT BLK	USM	CX-NDS50	
O	SCREW		87-723-096-410	0E	QT2+3-10 W/O SLOT BLK	USM	CX-NDS55	
O	SCREW		87-B10-315-010	0E	BVIT3B+3-8 R W/O	USM	CX-NDS50	
O	SCREW		87-B10-315-010	0E	BVIT3B+3-8 R W/O	USM	CX-NDS55	
O	SCREW		87-NF4-224-010	0E	S-SCREW, IT3B+3-8 CU	USM	CX-NDS50	
O	SCREW		87-NF4-224-010	0E	S-SCREW, IT3B+3-8 CU	USM	CX-NDS55	
!	X	TAPE	M8-ZZM-392-030	--	ZZM-3 PR1NM	USM	CX-NDS50	
!	X	TAPE	M8-ZZM-392-030	--	ZZM-3 PR1NM	USM	CX-NDS55	

PARTS LIST

! = Δ SAFTY PARTS
 C = Components marked

All components used on this model at the production line are shown in this service manual.

However, please note that not all components will be available as spare parts for after-sales service.

Components marked S and O are designated as spare parts for service and will be stocked at the spare parts centers.

Components marked X and R are not designated as spare parts for after sales service, and will not be stocked at the spare parts centers.

K NO. = Only use Japanese.

! C	UNIT NAME	REF NO.	PARTS CODE	K NO.	DESCRIPTION	SUFFIX	MODEL NAME
O	TAPE DECK	C 0301	87-012-188-080	0E	C-CAP,U 47P-50 J CH	USM	CX-NDS50
O	TAPE DECK	C 0301	87-012-188-080	0E	C-CAP,U 47P-50 J CH	USM	CX-NDS55
O	TAPE DECK	C 0302	87-012-188-080	0E	C-CAP,U 47P-50 J CH	USM	CX-NDS50
O	TAPE DECK	C 0302	87-012-188-080	0E	C-CAP,U 47P-50 J CH	USM	CX-NDS55
O	TAPE DECK	C 0303	87-012-268-080	0E	C-CAP,U 330P-50 K B GRM	USM	CX-NDS50
O	TAPE DECK	C 0303	87-012-268-080	0E	C-CAP,U 330P-50 K B GRM	USM	CX-NDS55
O	TAPE DECK	C 0304	87-012-268-080	0E	C-CAP,U 330P-50 K B GRM	USM	CX-NDS50
O	TAPE DECK	C 0304	87-012-268-080	0E	C-CAP,U 330P-50 K B GRM	USM	CX-NDS55
O	TAPE DECK	C 0305	87-012-268-080	0E	C-CAP,U 330P-50 K B GRM	USM	CX-NDS50
O	TAPE DECK	C 0305	87-012-268-080	0E	C-CAP,U 330P-50 K B GRM	USM	CX-NDS55
O	TAPE DECK	C 0306	87-012-268-080	0E	C-CAP,U 330P-50 K B GRM	USM	CX-NDS50
O	TAPE DECK	C 0306	87-012-268-080	0E	C-CAP,U 330P-50 K B GRM	USM	CX-NDS55
O	TAPE DECK	C 0307	87-010-759-080	0E	C-CAP,U 0.1-25 Z F	USM	CX-NDS50
O	TAPE DECK	C 0307	87-010-759-080	0E	C-CAP,U 0.1-25 Z F	USM	CX-NDS55
O	TAPE DECK	C 0309	87-010-759-080	0E	C-CAP,U 0.1-25 Z F	USM	CX-NDS50
O	TAPE DECK	C 0309	87-010-759-080	0E	C-CAP,U 0.1-25 Z F	USM	CX-NDS55
O	TAPE DECK	C 0310	87-010-759-080	0E	C-CAP,U 0.1-25 Z F	USM	CX-NDS50
O	TAPE DECK	C 0310	87-010-759-080	0E	C-CAP,U 0.1-25 Z F	USM	CX-NDS55
O	TAPE DECK	C 0311	87-010-787-080	0E	C-CAP,U 0.022-25 K B	USM	CX-NDS50
O	TAPE DECK	C 0311	87-010-787-080	0E	C-CAP,U 0.022-25 K B	USM	CX-NDS55
O	TAPE DECK	C 0312	87-010-787-080	0E	C-CAP,U 0.022-25 K B	USM	CX-NDS50
O	TAPE DECK	C 0312	87-010-787-080	0E	C-CAP,U 0.022-25 K B	USM	CX-NDS55
O	TAPE DECK	C 0313	87-012-276-080	0E	C-CAP,U 1500P-50 K B	USM	CX-NDS50
O	TAPE DECK	C 0313	87-012-276-080	0E	C-CAP,U 1500P-50 K B	USM	CX-NDS55
O	TAPE DECK	C 0314	87-012-276-080	0E	C-CAP,U 1500P-50 K B	USM	CX-NDS50
O	TAPE DECK	C 0314	87-012-276-080	0E	C-CAP,U 1500P-50 K B	USM	CX-NDS55
O	TAPE DECK	C 0315	87-012-278-080	0E	C-CAP,U 2200P-50 K B	USM	CX-NDS50
O	TAPE DECK	C 0315	87-012-278-080	0E	C-CAP,U 2200P-50 K B	USM	CX-NDS55
O	TAPE DECK	C 0316	87-012-278-080	0E	C-CAP,U 2200P-50 K B	USM	CX-NDS50
O	TAPE DECK	C 0316	87-012-278-080	0E	C-CAP,U 2200P-50 K B	USM	CX-NDS55
X	TAPE DECK	C 0317	88-108-000-080	0E	C-JUMPER,U	USM	CX-NDS50
X	TAPE DECK	C 0317	88-108-000-080	0E	C-JUMPER,U	USM	CX-NDS55
X	TAPE DECK	C 0318	88-108-000-080	0E	C-JUMPER,U	USM	CX-NDS50
X	TAPE DECK	C 0318	88-108-000-080	0E	C-JUMPER,U	USM	CX-NDS55
O	TAPE DECK	C 0321	87-012-142-080	0E	C-CAP,S 0.33-16 Z F GRM	USM	CX-NDS50
O	TAPE DECK	C 0321	87-012-142-080	0E	C-CAP,S 0.33-16 Z F GRM	USM	CX-NDS55
O	TAPE DECK	C 0322	87-012-142-080	0E	C-CAP,S 0.33-16 Z F GRM	USM	CX-NDS50
O	TAPE DECK	C 0322	87-012-142-080	0E	C-CAP,S 0.33-16 Z F GRM	USM	CX-NDS55
O	TAPE DECK	C 0324	87-A12-071-080	0E	CAP,E 47-25 SMG	USM	CX-NDS50
O	TAPE DECK	C 0324	87-A12-071-080	0E	CAP,E 47-25 SMG	USM	CX-NDS55
O	TAPE DECK	C 0325	87-A12-057-080	0E	CAP,E 330-6.3 SMG	USM	CX-NDS50
O	TAPE DECK	C 0325	87-A12-057-080	0E	CAP,E 330-6.3 SMG	USM	CX-NDS55
O	TAPE DECK	C 0327	87-A12-090-080	0E	CAP,E 4.7-50 SMG	USM	CX-NDS50
O	TAPE DECK	C 0327	87-A12-090-080	0E	CAP,E 4.7-50 SMG	USM	CX-NDS55
O	TAPE DECK	C 0328	87-A12-090-080	0E	CAP,E 4.7-50 SMG	USM	CX-NDS50
O	TAPE DECK	C 0328	87-A12-090-080	0E	CAP,E 4.7-50 SMG	USM	CX-NDS55
O	TAPE DECK	C 0332	87-010-759-080	0E	C-CAP,U 0.1-25 Z F	USM	CX-NDS50
O	TAPE DECK	C 0332	87-010-759-080	0E	C-CAP,U 0.1-25 Z F	USM	CX-NDS55
O	TAPE DECK	C 0335	87-A12-087-080	0E	CAP,E 1-50 SMG	USM	CX-NDS50
O	TAPE DECK	C 0335	87-A12-087-080	0E	CAP,E 1-50 SMG	USM	CX-NDS55
O	TAPE DECK	C 0336	87-A12-087-080	0E	CAP,E 1-50 SMG	USM	CX-NDS50
O	TAPE DECK	C 0336	87-A12-087-080	0E	CAP,E 1-50 SMG	USM	CX-NDS55
O	TAPE DECK	C 0337	87-010-759-080	0E	C-CAP,U 0.1-25 Z F	USM	CX-NDS50
O	TAPE DECK	C 0337	87-010-759-080	0E	C-CAP,U 0.1-25 Z F	USM	CX-NDS55
O	TAPE DECK	C 0339	87-010-759-080	0E	C-CAP,U 0.1-25 Z F	USM	CX-NDS50
O	TAPE DECK	C 0339	87-010-759-080	0E	C-CAP,U 0.1-25 Z F	USM	CX-NDS55
O	TAPE DECK	C 0340	87-010-759-080	0E	C-CAP,U 0.1-25 Z F	USM	CX-NDS50
O	TAPE DECK	C 0340	87-010-759-080	0E	C-CAP,U 0.1-25 Z F	USM	CX-NDS55
O	TAPE DECK	C 0351	87-012-270-080	0E	C-CAP,U 470P-50 K B	USM	CX-NDS50
O	TAPE DECK	C 0351	87-012-270-080	0E	C-CAP,U 470P-50 K B	USM	CX-NDS55
O	TAPE DECK	C 0352	87-012-270-080	0E	C-CAP,U 470P-50 K B	USM	CX-NDS50
O	TAPE DECK	C 0352	87-012-270-080	0E	C-CAP,U 470P-50 K B	USM	CX-NDS55
O	TAPE DECK	C 0354	87-012-271-080	0E	C-CAP,U 560P-50 K B	USM	CX-NDS50
O	TAPE DECK	C 0354	87-012-271-080	0E	C-CAP,U 560P-50 K B	USM	CX-NDS55
O	TAPE DECK	C 0355	87-012-274-080	0E	C-CAP,U 1000P-50 K B	USM	CX-NDS50
O	TAPE DECK	C 0355	87-012-274-080	0E	C-CAP,U 1000P-50 K B	USM	CX-NDS55
O	TAPE DECK	C 0356	87-A12-071-080	0E	CAP,E 47-25 SMG	USM	CX-NDS50
O	TAPE DECK	C 0356	87-A12-071-080	0E	CAP,E 47-25 SMG	USM	CX-NDS55
O	TAPE DECK	C 0357	87-012-286-080	0E	C-CAP,U 0.01-25 K B	USM	CX-NDS50
O	TAPE DECK	C 0357	87-012-286-080	0E	C-CAP,U 0.01-25 K B	USM	CX-NDS55

PARTS LIST

! = Δ SAFTY PARTS
 C = Components marked

All components used on this model at the production line are shown in this service manual.

However, please note that not all components will be available as spare parts for after-sales service.

Components marked S and O are designated as spare parts for service and will be stocked at the spare parts centers.

Components marked X and R are not designated as spare parts for after sales service, and will not be stocked at the spare parts centers.

K NO. = Only use Japanese.

! C	UNIT NAME	REF NO.	PARTS CODE	K NO.	DESCRIPTION	SUFFIX	MODEL NAME
O	TAPE DECK	C 0358	87-012-279-080	0E	C-CAP,U 2700P-50 K B GRM	USM	CX-NDS50
O	TAPE DECK	C 0358	87-012-279-080	0E	C-CAP,U 2700P-50 K B GRM	USM	CX-NDS55
O	TAPE DECK	C 0359	87-012-279-080	0E	C-CAP,U 2700P-50 K B GRM	USM	CX-NDS50
O	TAPE DECK	C 0359	87-012-279-080	0E	C-CAP,U 2700P-50 K B GRM	USM	CX-NDS55
O	TAPE DECK	C 0360	87-012-279-080	0E	C-CAP,U 2700P-50 K B GRM	USM	CX-NDS50
O	TAPE DECK	C 0360	87-012-279-080	0E	C-CAP,U 2700P-50 K B GRM	USM	CX-NDS55
O	TAPE DECK	C 0363	87-A12-361-080	0E	CAP,M 5600P-100 J CP	USM	CX-NDS50
O	TAPE DECK	C 0363	87-A12-361-080	0E	CAP,M 5600P-100 J CP	USM	CX-NDS55
O	TAPE DECK	C 0370	87-010-759-080	0E	C-CAP,U 0.1-25 Z F	USM	CX-NDS50
O	TAPE DECK	C 0370	87-010-759-080	0E	C-CAP,U 0.1-25 Z F	USM	CX-NDS55
O	TAPE DECK	C 0373	87-A10-060-080	0E	C-CAP,S 0.18-16 K B	USM	CX-NDS50
O	TAPE DECK	C 0373	87-A10-060-080	0E	C-CAP,S 0.18-16 K B	USM	CX-NDS55
O	TAPE DECK	C 0374	87-A10-060-080	0E	C-CAP,S 0.18-16 K B	USM	CX-NDS50
O	TAPE DECK	C 0374	87-A10-060-080	0E	C-CAP,S 0.18-16 K B	USM	CX-NDS55
O	TAPE DECK	C 0378	87-010-759-080	0E	C-CAP,U 0.1-25 Z F	USM	CX-NDS50
O	TAPE DECK	C 0378	87-010-759-080	0E	C-CAP,U 0.1-25 Z F	USM	CX-NDS55
O	TAPE DECK	C 0379	87-A12-069-080	0E	CAP,E 22-25 SMG	USM	CX-NDS50
O	TAPE DECK	C 0379	87-A12-069-080	0E	CAP,E 22-25 SMG	USM	CX-NDS55
O	TAPE DECK	C 0380	87-A12-069-080	0E	CAP,E 22-25 SMG	USM	CX-NDS50
O	TAPE DECK	C 0380	87-A12-069-080	0E	CAP,E 22-25 SMG	USM	CX-NDS55
O	TAPE DECK	C 0386	87-010-759-080	0E	C-CAP,U 0.1-25 Z F	USM	CX-NDS50
O	TAPE DECK	C 0386	87-010-759-080	0E	C-CAP,U 0.1-25 Z F	USM	CX-NDS55
O	TAPE DECK	C 0388	87-012-266-080	0E	C-CAP,U 220P-50 K B GRM	USM	CX-NDS50
O	TAPE DECK	C 0388	87-012-266-080	0E	C-CAP,U 220P-50 K B GRM	USM	CX-NDS55
O	TAPE DECK	C 0391	87-012-191-080	0E	C-CAP,U 68P-50 J CH	USM	CX-NDS50
O	TAPE DECK	C 0391	87-012-191-080	0E	C-CAP,U 68P-50 J CH	USM	CX-NDS55
O	TAPE DECK	C 0392	87-012-191-080	0E	C-CAP,U 68P-50 J CH	USM	CX-NDS50
O	TAPE DECK	C 0392	87-012-191-080	0E	C-CAP,U 68P-50 J CH	USM	CX-NDS55
O	TAPE DECK	C 0393	87-012-191-080	0E	C-CAP,U 68P-50 J CH	USM	CX-NDS50
O	TAPE DECK	C 0393	87-012-191-080	0E	C-CAP,U 68P-50 J CH	USM	CX-NDS55
O	TAPE DECK	C 0394	87-012-191-080	0E	C-CAP,U 68P-50 J CH	USM	CX-NDS50
O	TAPE DECK	C 0394	87-012-191-080	0E	C-CAP,U 68P-50 J CH	USM	CX-NDS55
X	TAPE DECK	CLP0301	87-A60-884-010	0E	PIN,DIAL COATING-SHS	USM	CX-NDS50
X	TAPE DECK	CLP0301	87-A60-884-010	0E	PIN,DIAL COATING-SHS	USM	CX-NDS55
X	TAPE DECK	CLP0302	87-A60-884-010	0E	PIN,DIAL COATING-SHS	USM	CX-NDS50
X	TAPE DECK	CLP0302	87-A60-884-010	0E	PIN,DIAL COATING-SHS	USM	CX-NDS55
O	TAPE DECK	CN 0301	87-A60-620-010	0E	CONN,3P V 2MM JMT	USM	CX-NDS50
O	TAPE DECK	CN 0301	87-A60-620-010	0E	CONN,3P V 2MM JMT	USM	CX-NDS55
O	TAPE DECK	CN 0351	87-A60-625-010	0E	CONN,8P V 2MM JMT	USM	CX-NDS50
O	TAPE DECK	CN 0351	87-A60-625-010	0E	CONN,8P V 2MM JMT	USM	CX-NDS55
S	TAPE DECK	D 0352	87-A40-291-080	0E	DIODE,1N4148M (CPT)	USM	CX-NDS50
S	TAPE DECK	D 0352	87-A40-291-080	0E	DIODE,1N4148M (CPT)	USM	CX-NDS55
S	TAPE DECK	D 0353	87-A40-291-080	0E	DIODE,1N4148M (CPT)	USM	CX-NDS50
S	TAPE DECK	D 0353	87-A40-291-080	0E	DIODE,1N4148M (CPT)	USM	CX-NDS55
X	TAPE DECK	FB 0301	88-100-000-010	0E	PLATING-JW, 0.58 SN95	USM	CX-NDS50
X	TAPE DECK	FB 0301	88-100-000-010	0E	PLATING-JW, 0.58 SN95	USM	CX-NDS55
S	TAPE DECK	IC 0303	87-A20-783-040	1D	C-IC,BA7762AFS	USM	CX-NDS50
S	TAPE DECK	IC 0303	87-A20-783-040	1D	C-IC,BA7762AFS	USM	CX-NDS55
X	TAPE DECK	JR 0310	88-129-000-080	0E	C-JUMPER, 3216	USM	CX-NDS50
X	TAPE DECK	JR 0310	88-129-000-080	0E	C-JUMPER, 3216	USM	CX-NDS55
X	TAPE DECK	JR 0311	88-129-000-080	0E	C-JUMPER, 3216	USM	CX-NDS50
X	TAPE DECK	JR 0311	88-129-000-080	0E	C-JUMPER, 3216	USM	CX-NDS55
X	TAPE DECK	JR 0312	88-108-000-080	0E	C-JUMPER,U	USM	CX-NDS50
X	TAPE DECK	JR 0312	88-108-000-080	0E	C-JUMPER,U	USM	CX-NDS55
X	TAPE DECK	JR 0328	88-108-000-080	0E	C-JUMPER,U	USM	CX-NDS50
X	TAPE DECK	JR 0328	88-108-000-080	0E	C-JUMPER,U	USM	CX-NDS55
X	TAPE DECK	JR 0329	88-108-000-080	0E	C-JUMPER,U	USM	CX-NDS50
X	TAPE DECK	JR 0329	88-108-000-080	0E	C-JUMPER,U	USM	CX-NDS55
X	TAPE DECK	JR 0330	88-108-000-080	0E	C-JUMPER,U	USM	CX-NDS50
X	TAPE DECK	JR 0330	88-108-000-080	0E	C-JUMPER,U	USM	CX-NDS55
X	TAPE DECK	JR 0333	88-129-000-080	0E	C-JUMPER, 3216	USM	CX-NDS50
X	TAPE DECK	JR 0333	88-129-000-080	0E	C-JUMPER, 3216	USM	CX-NDS55
X	TAPE DECK	JR 0334	88-129-000-080	0E	C-JUMPER, 3216	USM	CX-NDS50
X	TAPE DECK	JR 0334	88-129-000-080	0E	C-JUMPER, 3216	USM	CX-NDS55
X	TAPE DECK	JR 0335	88-108-000-080	0E	C-JUMPER,U	USM	CX-NDS50
X	TAPE DECK	JR 0335	88-108-000-080	0E	C-JUMPER,U	USM	CX-NDS55
X	TAPE DECK	JR 0339	88-129-000-080	0E	C-JUMPER, 3216	USM	CX-NDS50
X	TAPE DECK	JR 0339	88-129-000-080	0E	C-JUMPER, 3216	USM	CX-NDS55
X	TAPE DECK	JR 0340	88-129-000-080	0E	C-JUMPER, 3216	USM	CX-NDS50
X	TAPE DECK	JR 0340	88-129-000-080	0E	C-JUMPER, 3216	USM	CX-NDS55

PARTS LIST

! = Δ SAFTY PARTS
 C = Components marked

All components used on this model at the production line are shown in this service manual.

However, please note that not all components will be available as spare parts for after-sales service.

Components marked S and O are designated as spare parts for service and will be stocked at the spare parts centers.

Components marked X and R are not designated as spare parts for after sales service, and will not be stocked at the spare parts centers.

K NO. = Only use Japanese.

! C	UNIT NAME	REF NO.	PARTS CODE	K NO.	DESCRIPTION	SUFFIX	MODEL NAME
X	TAPE DECK	JR 0341	88-108-000-080	0E	C-JUMPER,U	USM	CX-NDS50
X	TAPE DECK	JR 0341	88-108-000-080	0E	C-JUMPER,U	USM	CX-NDS55
O	TAPE DECK	L 0301	87-A50-625-010	0E	COIL,TRAP 85KHZ (SANWA)	USM	CX-NDS50
O	TAPE DECK	L 0301	87-A50-625-010	0E	COIL,TRAP 85KHZ (SANWA)	USM	CX-NDS55
O	TAPE DECK	L 0302	87-A50-625-010	0E	COIL,TRAP 85KHZ (SANWA)	USM	CX-NDS50
O	TAPE DECK	L 0302	87-A50-625-010	0E	COIL,TRAP 85KHZ (SANWA)	USM	CX-NDS55
O	TAPE DECK	L 0351	87-007-342-010	0E	COIL,OSC 85KHZ BIAS	USM	CX-NDS50
O	TAPE DECK	L 0351	87-007-342-010	0E	COIL,OSC 85KHZ BIAS	USM	CX-NDS55
S	TAPE DECK	Q 0351	87-A30-087-080	0E	C-FET,2SK2158	USM	CX-NDS50
S	TAPE DECK	Q 0351	87-A30-087-080	0E	C-FET,2SK2158	USM	CX-NDS55
S	TAPE DECK	Q 0353	87-A30-087-080	0E	C-FET,2SK2158	USM	CX-NDS50
S	TAPE DECK	Q 0353	87-A30-087-080	0E	C-FET,2SK2158	USM	CX-NDS55
S	TAPE DECK	Q 0354	87-A30-087-080	0E	C-FET,2SK2158	USM	CX-NDS50
S	TAPE DECK	Q 0354	87-A30-087-080	0E	C-FET,2SK2158	USM	CX-NDS55
S	TAPE DECK	Q 0355	87-A30-105-080	0E	C-TR,RT1P 441C	USM	CX-NDS50
S	TAPE DECK	Q 0355	87-A30-105-080	0E	C-TR,RT1P 441C	USM	CX-NDS55
S	TAPE DECK	Q 0357	87-A30-494-080	0E	TR,2SA1980G	USM	CX-NDS50
S	TAPE DECK	Q 0357	87-A30-494-080	0E	TR,2SA1980G	USM	CX-NDS55
S	TAPE DECK	Q 0358	87-026-610-080	0E	TR,KTC3198GR	USM	CX-NDS50
S	TAPE DECK	Q 0358	87-026-610-080	0E	TR,KTC3198GR	USM	CX-NDS55
S	TAPE DECK	Q 0359	87-026-610-080	0E	TR,KTC3198GR	USM	CX-NDS50
S	TAPE DECK	Q 0359	87-026-610-080	0E	TR,KTC3198GR	USM	CX-NDS55
S	TAPE DECK	Q 0361	87-A30-076-080	0E	C-TR,2SC3052F	USM	CX-NDS50
S	TAPE DECK	Q 0361	87-A30-076-080	0E	C-TR,2SC3052F	USM	CX-NDS55
X	TAPE DECK	R 0301	88-108-224-080	0E	C-RES,U 220K-1/16W J	USM	CX-NDS50
X	TAPE DECK	R 0301	88-108-224-080	0E	C-RES,U 220K-1/16W J	USM	CX-NDS55
X	TAPE DECK	R 0302	88-108-224-080	0E	C-RES,U 220K-1/16W J	USM	CX-NDS50
X	TAPE DECK	R 0302	88-108-224-080	0E	C-RES,U 220K-1/16W J	USM	CX-NDS55
X	TAPE DECK	R 0303	88-108-224-080	0E	C-RES,U 220K-1/16W J	USM	CX-NDS50
X	TAPE DECK	R 0303	88-108-224-080	0E	C-RES,U 220K-1/16W J	USM	CX-NDS55
X	TAPE DECK	R 0304	88-108-224-080	0E	C-RES,U 220K-1/16W J	USM	CX-NDS50
X	TAPE DECK	R 0304	88-108-224-080	0E	C-RES,U 220K-1/16W J	USM	CX-NDS55
X	TAPE DECK	R 0305	88-108-471-080	0E	C-RES,U 470-1/16W J	USM	CX-NDS50
X	TAPE DECK	R 0305	88-108-471-080	0E	C-RES,U 470-1/16W J	USM	CX-NDS55
X	TAPE DECK	R 0306	88-108-471-080	0E	C-RES,U 470-1/16W J	USM	CX-NDS50
X	TAPE DECK	R 0306	88-108-471-080	0E	C-RES,U 470-1/16W J	USM	CX-NDS55
X	TAPE DECK	R 0307	88-108-471-080	0E	C-RES,U 470-1/16W J	USM	CX-NDS50
X	TAPE DECK	R 0307	88-108-471-080	0E	C-RES,U 470-1/16W J	USM	CX-NDS55
X	TAPE DECK	R 0308	88-108-471-080	0E	C-RES,U 470-1/16W J	USM	CX-NDS50
X	TAPE DECK	R 0308	88-108-471-080	0E	C-RES,U 470-1/16W J	USM	CX-NDS55
X	TAPE DECK	R 0309	88-108-471-080	0E	C-RES,U 470-1/16W J	USM	CX-NDS50
X	TAPE DECK	R 0309	88-108-471-080	0E	C-RES,U 470-1/16W J	USM	CX-NDS55
X	TAPE DECK	R 0310	88-108-471-080	0E	C-RES,U 470-1/16W J	USM	CX-NDS50
X	TAPE DECK	R 0310	88-108-471-080	0E	C-RES,U 470-1/16W J	USM	CX-NDS55
X	TAPE DECK	R 0311	88-108-562-080	0E	C-RES,U 5.6K-1/16W J	USM	CX-NDS50
X	TAPE DECK	R 0311	88-108-562-080	0E	C-RES,U 5.6K-1/16W J	USM	CX-NDS55
X	TAPE DECK	R 0312	88-108-562-080	0E	C-RES,U 5.6K-1/16W J	USM	CX-NDS50
X	TAPE DECK	R 0312	88-108-562-080	0E	C-RES,U 5.6K-1/16W J	USM	CX-NDS55
X	TAPE DECK	R 0314	88-108-223-080	0E	C-RES,U 22K-1/16W J	USM	CX-NDS50
X	TAPE DECK	R 0314	88-108-223-080	0E	C-RES,U 22K-1/16W J	USM	CX-NDS55
X	TAPE DECK	R 0315	88-108-562-080	0E	C-RES,U 5.6K-1/16W J	USM	CX-NDS50
X	TAPE DECK	R 0315	88-108-562-080	0E	C-RES,U 5.6K-1/16W J	USM	CX-NDS55
X	TAPE DECK	R 0316	88-108-562-080	0E	C-RES,U 5.6K-1/16W J	USM	CX-NDS50
X	TAPE DECK	R 0316	88-108-562-080	0E	C-RES,U 5.6K-1/16W J	USM	CX-NDS55
X	TAPE DECK	R 0317	88-108-562-080	0E	C-RES,U 5.6K-1/16W J	USM	CX-NDS50
X	TAPE DECK	R 0317	88-108-562-080	0E	C-RES,U 5.6K-1/16W J	USM	CX-NDS55
X	TAPE DECK	R 0318	88-108-562-080	0E	C-RES,U 5.6K-1/16W J	USM	CX-NDS50
X	TAPE DECK	R 0318	88-108-562-080	0E	C-RES,U 5.6K-1/16W J	USM	CX-NDS55
X	TAPE DECK	R 0319	88-108-223-080	0E	C-RES,U 22K-1/16W J	USM	CX-NDS50
X	TAPE DECK	R 0319	88-108-223-080	0E	C-RES,U 22K-1/16W J	USM	CX-NDS55
X	TAPE DECK	R 0320	88-108-223-080	0E	C-RES,U 22K-1/16W J	USM	CX-NDS50
X	TAPE DECK	R 0320	88-108-223-080	0E	C-RES,U 22K-1/16W J	USM	CX-NDS55
X	TAPE DECK	R 0328	88-108-473-080	0E	C-RES,U 47K-1/16W J	USM	CX-NDS50
X	TAPE DECK	R 0328	88-108-473-080	0E	C-RES,U 47K-1/16W J	USM	CX-NDS55
X	TAPE DECK	R 0329	88-108-473-080	0E	C-RES,U 47K-1/16W J	USM	CX-NDS50
X	TAPE DECK	R 0329	88-108-473-080	0E	C-RES,U 47K-1/16W J	USM	CX-NDS55
X	TAPE DECK	R 0332	88-108-223-080	0E	C-RES,U 22K-1/16W J	USM	CX-NDS50
X	TAPE DECK	R 0332	88-108-223-080	0E	C-RES,U 22K-1/16W J	USM	CX-NDS55
X	TAPE DECK	R 0333	88-108-682-080	0E	C-RES,U 6.8K-1/16W J	USM	CX-NDS50
X	TAPE DECK	R 0333	88-108-682-080	0E	C-RES,U 6.8K-1/16W J	USM	CX-NDS55

PARTS LIST

! = Δ SAFTY PARTS
 C = Components marked

All components used on this model at the production line are shown in this service manual.

However, please note that not all components will be available as spare parts for after-sales service.

Components marked S and O are designated as spare parts for service and will be stocked at the spare parts centers.

Components marked X and R are not designated as spare parts for after sales service, and will not be stocked at the spare parts centers.

K NO. = Only use Japanese.

! C	UNIT NAME	REF NO.	PARTS CODE	K NO.	DESCRIPTION	SUFFIX	MODEL NAME
X	TAPE DECK	R 0335	88-121-223-080	0E	RES,22K-1/8W J	USM	CX-NDS50
X	TAPE DECK	R 0335	88-121-223-080	0E	RES,22K-1/8W J	USM	CX-NDS55
X	TAPE DECK	R 0336	88-121-223-080	0E	RES,22K-1/8W J	USM	CX-NDS50
X	TAPE DECK	R 0336	88-121-223-080	0E	RES,22K-1/8W J	USM	CX-NDS55
X	TAPE DECK	R 0337	88-108-563-080	0E	C-RES,U 56K-1/16W J	USM	CX-NDS50
X	TAPE DECK	R 0337	88-108-563-080	0E	C-RES,U 56K-1/16W J	USM	CX-NDS55
X	TAPE DECK	R 0338	88-108-183-080	0E	C-RES,U 18K-1/16W J	USM	CX-NDS50
X	TAPE DECK	R 0338	88-108-183-080	0E	C-RES,U 18K-1/16W J	USM	CX-NDS55
X	TAPE DECK	R 0350	88-130-180-080	0E	RES,18-1/4W J	USM	CX-NDS50
X	TAPE DECK	R 0350	88-130-180-080	0E	RES,18-1/4W J	USM	CX-NDS55
X	TAPE DECK	R 0351	88-108-105-080	0E	C-RES,U 1M-1/16W J	USM	CX-NDS50
X	TAPE DECK	R 0351	88-108-105-080	0E	C-RES,U 1M-1/16W J	USM	CX-NDS55
X	TAPE DECK	R 0352	88-108-152-080	0E	C-RES,U 1.5K-1/16W J	USM	CX-NDS50
X	TAPE DECK	R 0352	88-108-152-080	0E	C-RES,U 1.5K-1/16W J	USM	CX-NDS55
X	TAPE DECK	R 0353	88-108-222-080	0E	C-RES,U 2.2K-1/16W J	USM	CX-NDS50
X	TAPE DECK	R 0353	88-108-222-080	0E	C-RES,U 2.2K-1/16W J	USM	CX-NDS55
X	TAPE DECK	R 0354	88-129-000-080	0E	C-JUMPER, 3216	USM	CX-NDS50
X	TAPE DECK	R 0354	88-129-000-080	0E	C-JUMPER, 3216	USM	CX-NDS55
X	TAPE DECK	R 0355	88-128-829-080	0E	C-RES, 8.2-1/8W J	USM	CX-NDS50
X	TAPE DECK	R 0355	88-128-829-080	0E	C-RES, 8.2-1/8W J	USM	CX-NDS55
X	TAPE DECK	R 0356	88-108-183-080	0E	C-RES,U 18K-1/16W J	USM	CX-NDS50
X	TAPE DECK	R 0356	88-108-183-080	0E	C-RES,U 18K-1/16W J	USM	CX-NDS55
X	TAPE DECK	R 0357	88-108-183-080	0E	C-RES,U 18K-1/16W J	USM	CX-NDS50
X	TAPE DECK	R 0357	88-108-183-080	0E	C-RES,U 18K-1/16W J	USM	CX-NDS55
X	TAPE DECK	R 0359	88-128-100-080	0E	C-RES, 10-1/8W J	USM	CX-NDS50
X	TAPE DECK	R 0359	88-128-100-080	0E	C-RES, 10-1/8W J	USM	CX-NDS55
X	TAPE DECK	R 0360	88-108-332-080	0E	C-RES,U 3.3K-1/16W J	USM	CX-NDS50
X	TAPE DECK	R 0360	88-108-332-080	0E	C-RES,U 3.3K-1/16W J	USM	CX-NDS55
X	TAPE DECK	R 0363	88-108-682-080	0E	C-RES,U 6.8K-1/16W J	USM	CX-NDS50
X	TAPE DECK	R 0363	88-108-682-080	0E	C-RES,U 6.8K-1/16W J	USM	CX-NDS55
X	TAPE DECK	R 0364	88-108-000-080	0E	C-JUMPER,U	USM	CX-NDS50
X	TAPE DECK	R 0364	88-108-000-080	0E	C-JUMPER,U	USM	CX-NDS55
X	TAPE DECK	R 0371	88-108-390-080	0E	C-RES,U 39-1/16W J	USM	CX-NDS50
X	TAPE DECK	R 0371	88-108-390-080	0E	C-RES,U 39-1/16W J	USM	CX-NDS55
X	TAPE DECK	R 0372	88-108-390-080	0E	C-RES,U 39-1/16W J	USM	CX-NDS50
X	TAPE DECK	R 0372	88-108-390-080	0E	C-RES,U 39-1/16W J	USM	CX-NDS55
X	TAPE DECK	R 0373	88-108-471-080	0E	C-RES,U 470-1/16W J	USM	CX-NDS50
X	TAPE DECK	R 0373	88-108-471-080	0E	C-RES,U 470-1/16W J	USM	CX-NDS55
X	TAPE DECK	R 0374	88-108-471-080	0E	C-RES,U 470-1/16W J	USM	CX-NDS50
X	TAPE DECK	R 0374	88-108-471-080	0E	C-RES,U 470-1/16W J	USM	CX-NDS55
X	TAPE DECK	R 0393	88-108-000-080	0E	C-JUMPER,U	USM	CX-NDS50
X	TAPE DECK	R 0393	88-108-000-080	0E	C-JUMPER,U	USM	CX-NDS55
X	TAPE DECK	R 0395	88-108-104-080	0E	C-RES,U 100K-1/16W J	USM	CX-NDS50
X	TAPE DECK	R 0395	88-108-104-080	0E	C-RES,U 100K-1/16W J	USM	CX-NDS55
X	TAPE DECK	R 0396	88-108-104-080	0E	C-RES,U 100K-1/16W J	USM	CX-NDS50
X	TAPE DECK	R 0396	88-108-104-080	0E	C-RES,U 100K-1/16W J	USM	CX-NDS55
X	TAPE DECK	R 0397	88-108-104-080	0E	C-RES,U 100K-1/16W J	USM	CX-NDS50
X	TAPE DECK	R 0397	88-108-104-080	0E	C-RES,U 100K-1/16W J	USM	CX-NDS55
X	TAPE DECK	R 0398	88-108-104-080	0E	C-RES,U 100K-1/16W J	USM	CX-NDS50
X	TAPE DECK	R 0398	88-108-104-080	0E	C-RES,U 100K-1/16W J	USM	CX-NDS55
O	TAPE DECK	SFR0351	87-A90-433-080	0E	SFR,50K H NVZ6TLTA	USM	CX-NDS50
O	TAPE DECK	SFR0351	87-A90-433-080	0E	SFR,50K H NVZ6TLTA	USM	CX-NDS55
O	TAPE DECK	SFR0352	87-A90-433-080	0E	SFR,50K H NVZ6TLTA	USM	CX-NDS50
O	TAPE DECK	SFR0352	87-A90-433-080	0E	SFR,50K H NVZ6TLTA	USM	CX-NDS55
X	TAPE DECK	SH 0301	87-MA6-202-010	0E	PLATE,SHLD DECK	USM	CX-NDS50
X	TAPE DECK	SH 0301	87-MA6-202-010	0E	PLATE,SHLD DECK	USM	CX-NDS55
O	TUNER(FM FE)	C 0913	87-012-286-080	0E	C-CAP,U 0.01-25 K B	USM	CX-NDS50
O	TUNER(FM FE)	C 0913	87-012-286-080	0E	C-CAP,U 0.01-25 K B	USM	CX-NDS55
O	TUNER(FM FE)	C 0918	87-A10-039-080	0E	C-CAP,U 470P-50 J CH	USM	CX-NDS50
O	TUNER(FM FE)	C 0918	87-A10-039-080	0E	C-CAP,U 470P-50 J CH	USM	CX-NDS55
O	TUNER(IF)	C 0771	87-A12-062-080	0E	CAP,E 100-10 SMG	USM	CX-NDS50
O	TUNER(IF)	C 0771	87-A12-062-080	0E	CAP,E 100-10 SMG	USM	CX-NDS55
O	TUNER(IF)	C 0772	87-012-286-080	0E	C-CAP,U 0.01-25 K B	USM	CX-NDS50
O	TUNER(IF)	C 0772	87-012-286-080	0E	C-CAP,U 0.01-25 K B	USM	CX-NDS55
X	TUNER(IF)	C 0781	88-108-000-080	0E	C-JUMPER,U	USM	CX-NDS50
X	TUNER(IF)	C 0781	88-108-000-080	0E	C-JUMPER,U	USM	CX-NDS55
O	TUNER(IF)	C 0782	87-012-286-080	0E	C-CAP,U 0.01-25 K B	USM	CX-NDS50
O	TUNER(IF)	C 0782	87-012-286-080	0E	C-CAP,U 0.01-25 K B	USM	CX-NDS55
O	TUNER(IF)	C 0783	87-012-286-080	0E	C-CAP,U 0.01-25 K B	USM	CX-NDS50
O	TUNER(IF)	C 0783	87-012-286-080	0E	C-CAP,U 0.01-25 K B	USM	CX-NDS55

PARTS LIST

! = Δ SAFTY PARTS
 C = Components marked

All components used on this model at the production line are shown in this service manual.

However, please note that not all components will be available as spare parts for after-sales service.

Components marked S and O are designated as spare parts for service and will be stocked at the spare parts centers.

Components marked X and R are not designated as spare parts for after sales service, and will not be stocked at the spare parts centers.

K NO. = Only use Japanese.

! C	UNIT NAME	REF NO.	PARTS CODE	K NO.	DESCRIPTION	SUFFIX	MODEL NAME
O	TUNER(IF)	C 0784	87-012-286-080	0E	C-CAP,U 0.01-25 K B	USM	CX-NDS50
O	TUNER(IF)	C 0784	87-012-286-080	0E	C-CAP,U 0.01-25 K B	USM	CX-NDS55
O	TUNER(IF)	C 0785	87-012-286-080	0E	C-CAP,U 0.01-25 K B	USM	CX-NDS50
O	TUNER(IF)	C 0785	87-012-286-080	0E	C-CAP,U 0.01-25 K B	USM	CX-NDS55
O	TUNER(IF)	C 0786	87-012-286-080	0E	C-CAP,U 0.01-25 K B	USM	CX-NDS50
O	TUNER(IF)	C 0786	87-012-286-080	0E	C-CAP,U 0.01-25 K B	USM	CX-NDS55
O	TUNER(IF)	C 0788	87-012-167-080	0E	C-CAP,U 5P-50 C CH	USM	CX-NDS50
O	TUNER(IF)	C 0788	87-012-167-080	0E	C-CAP,U 5P-50 C CH	USM	CX-NDS55
O	TUNER(IF)	C 0789	87-A12-052-080	0E	C-CAP,S 0.033-25 J B	USM	CX-NDS50
O	TUNER(IF)	C 0789	87-A12-052-080	0E	C-CAP,S 0.033-25 J B	USM	CX-NDS55
O	TUNER(IF)	C 0790	87-A12-052-080	0E	C-CAP,S 0.033-25 J B	USM	CX-NDS50
O	TUNER(IF)	C 0790	87-A12-052-080	0E	C-CAP,S 0.033-25 J B	USM	CX-NDS55
O	TUNER(IF)	C 0791	87-010-831-080	0E	C-CAP,U 0.1-16 Z F	USM	CX-NDS50
O	TUNER(IF)	C 0791	87-010-831-080	0E	C-CAP,U 0.1-16 Z F	USM	CX-NDS55
O	TUNER(IF)	C 0792	87-012-286-080	0E	C-CAP,U 0.01-25 K B	USM	CX-NDS50
O	TUNER(IF)	C 0792	87-012-286-080	0E	C-CAP,U 0.01-25 K B	USM	CX-NDS55
O	TUNER(IF)	C 0793	87-A12-090-080	0E	CAP,E 4.7-50 SMG	USM	CX-NDS50
O	TUNER(IF)	C 0793	87-A12-090-080	0E	CAP,E 4.7-50 SMG	USM	CX-NDS55
O	TUNER(IF)	C 0795	87-012-286-080	0E	C-CAP,U 0.01-25 K B	USM	CX-NDS50
O	TUNER(IF)	C 0795	87-012-286-080	0E	C-CAP,U 0.01-25 K B	USM	CX-NDS55
O	TUNER(IF)	C 0796	87-012-286-080	0E	C-CAP,U 0.01-25 K B	USM	CX-NDS50
O	TUNER(IF)	C 0796	87-012-286-080	0E	C-CAP,U 0.01-25 K B	USM	CX-NDS55
O	TUNER(IF)	C 0797	87-A12-091-080	0E	CAP,E 10-50 SMG	USM	CX-NDS50
O	TUNER(IF)	C 0797	87-A12-091-080	0E	CAP,E 10-50 SMG	USM	CX-NDS55
O	TUNER(IF)	C 0798	87-012-286-080	0E	C-CAP,U 0.01-25 K B	USM	CX-NDS50
O	TUNER(IF)	C 0798	87-012-286-080	0E	C-CAP,U 0.01-25 K B	USM	CX-NDS55
O	TUNER(IF)	C 0799	87-A12-093-080	0E	CAP,E 33-50 SMG	USM	CX-NDS50
O	TUNER(IF)	C 0799	87-A12-093-080	0E	CAP,E 33-50 SMG	USM	CX-NDS55
O	TUNER(IF)	C 0800	87-010-829-080	0E	C-CAP,U 0.047-16 Z F	USM	CX-NDS50
O	TUNER(IF)	C 0800	87-010-829-080	0E	C-CAP,U 0.047-16 Z F	USM	CX-NDS55
O	TUNER(IF)	C 0801	87-A12-089-080	0E	CAP,E 3.3-50 SMG	USM	CX-NDS50
O	TUNER(IF)	C 0801	87-A12-089-080	0E	CAP,E 3.3-50 SMG	USM	CX-NDS55
O	TUNER(IF)	C 0802	87-010-829-080	0E	C-CAP,U 0.047-16 Z F	USM	CX-NDS50
O	TUNER(IF)	C 0802	87-010-829-080	0E	C-CAP,U 0.047-16 Z F	USM	CX-NDS55
O	TUNER(IF)	C 0803	87-010-787-080	0E	C-CAP,U 0.022-25 K B	USM	CX-NDS50
O	TUNER(IF)	C 0803	87-010-787-080	0E	C-CAP,U 0.022-25 K B	USM	CX-NDS55
O	TUNER(IF)	C 0804	87-A12-062-080	0E	CAP,E 100-10 SMG	USM	CX-NDS50
O	TUNER(IF)	C 0804	87-A12-062-080	0E	CAP,E 100-10 SMG	USM	CX-NDS55
O	TUNER(IF)	C 0807	87-A12-086-080	0E	CAP,E 0.47-50 SMG	USM	CX-NDS50
O	TUNER(IF)	C 0807	87-A12-086-080	0E	CAP,E 0.47-50 SMG	USM	CX-NDS55
O	TUNER(IF)	C 0808	87-A12-087-080	0E	CAP,E 1-50 SMG	USM	CX-NDS50
O	TUNER(IF)	C 0808	87-A12-087-080	0E	CAP,E 1-50 SMG	USM	CX-NDS55
O	TUNER(IF)	C 0809	87-A12-087-080	0E	CAP,E 1-50 SMG	USM	CX-NDS50
O	TUNER(IF)	C 0809	87-A12-087-080	0E	CAP,E 1-50 SMG	USM	CX-NDS55
O	TUNER(IF)	C 0810	87-010-831-080	0E	C-CAP,U 0.1-16 Z F	USM	CX-NDS50
O	TUNER(IF)	C 0810	87-010-831-080	0E	C-CAP,U 0.1-16 Z F	USM	CX-NDS55
O	TUNER(IF)	C 0814	87-012-286-080	0E	C-CAP,U 0.01-25 K B	USM	CX-NDS50
O	TUNER(IF)	C 0814	87-012-286-080	0E	C-CAP,U 0.01-25 K B	USM	CX-NDS55
O	TUNER(IF)	C 0815	87-A12-086-080	0E	CAP,E 0.47-50 SMG	USM	CX-NDS50
O	TUNER(IF)	C 0815	87-A12-086-080	0E	CAP,E 0.47-50 SMG	USM	CX-NDS55
O	TUNER(IF)	C 0816	87-A12-086-080	0E	CAP,E 0.47-50 SMG	USM	CX-NDS50
O	TUNER(IF)	C 0816	87-A12-086-080	0E	CAP,E 0.47-50 SMG	USM	CX-NDS55
O	TUNER(IF)	C 0821	87-A12-091-080	0E	CAP,E 10-50 SMG	USM	CX-NDS50
X	TUNER(IF)	C 0822	88-108-000-080	0E	C-JUMPER,U	USM	CX-NDS50
X	TUNER(IF)	C 0822	88-108-000-080	0E	C-JUMPER,U	USM	CX-NDS55
O	TUNER(IF)	C 0823	87-010-177-080	0E	C-CAP,S 820P-50 J SL C2012	USM	CX-NDS50
O	TUNER(IF)	C 0823	87-010-177-080	0E	C-CAP,S 820P-50 J SL C2012	USM	CX-NDS55
O	TUNER(IF)	C 0824	87-A12-090-080	0E	CAP,E 4.7-50 SMG	USM	CX-NDS50
O	TUNER(IF)	C 0824	87-A12-090-080	0E	CAP,E 4.7-50 SMG	USM	CX-NDS55
O	TUNER(IF)	C 0825	87-010-596-080	0E	C-CAP,S 0.047-16 K R C2012	USM	CX-NDS50
O	TUNER(IF)	C 0825	87-010-596-080	0E	C-CAP,S 0.047-16 K R C2012	USM	CX-NDS55
X	TUNER(IF)	D 0801	88-100-000-010	0E	PLATING-JW, 0.58 SN95	USM	CX-NDS50
X	TUNER(IF)	D 0801	88-100-000-010	0E	PLATING-JW, 0.58 SN95	USM	CX-NDS55
S	TUNER(IF)	D 0803	87-A40-291-080	0E	DIODE,1N4148M (CPT)	USM	CX-NDS50
S	TUNER(IF)	D 0803	87-A40-291-080	0E	DIODE,1N4148M (CPT)	USM	CX-NDS55
S	TUNER(IF)	IC 0801	87-A21-695-010	1C	IC,LA1845L	USM	CX-NDS50
S	TUNER(IF)	IC 0801	87-A21-695-010	1C	IC,LA1845L	USM	CX-NDS55
X	TUNER(IF)	JR 0781	88-129-000-080	0E	C-JUMPER, 3216	USM	CX-NDS50
X	TUNER(IF)	JR 0781	88-129-000-080	0E	C-JUMPER, 3216	USM	CX-NDS55

PARTS LIST

! = Δ SAFTY PARTS
 C = Components marked

All components used on this model at the production line are shown in this service manual.

However, please note that not all components will be available as spare parts for after-sales service.

Components marked S and O are designated as spare parts for service and will be stocked at the spare parts centers.

Components marked X and R are not designated as spare parts for after sales service, and will not be stocked at the spare parts centers.

K NO. = Only use Japanese.

! C	UNIT NAME	REF NO.	PARTS CODE	K NO.	DESCRIPTION	SUFFIX	MODEL NAME
X	TUNER(IF)	JR 0785	88-108-000-080	0E	C-JUMPER,U	USM	CX-NDS50
X	TUNER(IF)	JR 0785	88-108-000-080	0E	C-JUMPER,U	USM	CX-NDS55
X	TUNER(IF)	JR 0786	88-108-000-080	0E	C-JUMPER,U	USM	CX-NDS50
X	TUNER(IF)	JR 0786	88-108-000-080	0E	C-JUMPER,U	USM	CX-NDS55
X	TUNER(IF)	JR 0792	88-108-000-080	0E	C-JUMPER,U	USM	CX-NDS50
X	TUNER(IF)	JR 0792	88-108-000-080	0E	C-JUMPER,U	USM	CX-NDS55
X	TUNER(IF)	JR 0795	88-129-000-080	0E	C-JUMPER, 3216	USM	CX-NDS50
X	TUNER(IF)	JR 0795	88-129-000-080	0E	C-JUMPER, 3216	USM	CX-NDS55
X	TUNER(IF)	JR 0797	88-108-000-080	0E	C-JUMPER,U	USM	CX-NDS50
X	TUNER(IF)	JR 0797	88-108-000-080	0E	C-JUMPER,U	USM	CX-NDS55
X	TUNER(IF)	JR 0801	88-108-000-080	0E	C-JUMPER,U	USM	CX-NDS50
X	TUNER(IF)	JR 0801	88-108-000-080	0E	C-JUMPER,U	USM	CX-NDS55
X	TUNER(IF)	JR 0802	88-108-000-080	0E	C-JUMPER,U	USM	CX-NDS50
X	TUNER(IF)	JR 0802	88-108-000-080	0E	C-JUMPER,U	USM	CX-NDS55
X	TUNER(IF)	JR 0811	88-108-000-080	0E	C-JUMPER,U	USM	CX-NDS50
X	TUNER(IF)	JR 0811	88-108-000-080	0E	C-JUMPER,U	USM	CX-NDS55
O	TUNER(IF)	L 0801	87-A50-608-010	0E	COIL, FM DET-N(TOK)	USM	CX-NDS50
O	TUNER(IF)	L 0801	87-A50-608-010	0E	COIL, FM DET-N(TOK)	USM	CX-NDS55
O	TUNER(IF)	L 0802	87-A91-552-010	1B	FLTR, CFMT-450AL (TOK)	USM	CX-NDS50
O	TUNER(IF)	L 0802	87-A91-552-010	1B	FLTR, CFMT-450AL (TOK)	USM	CX-NDS55
O	TUNER(IF)	L 0811	87-005-847-080	0E	COIL, 2.2UH K CECS	USM	CX-NDS50
O	TUNER(IF)	L 0811	87-005-847-080	0E	COIL, 2.2UH K CECS	USM	CX-NDS55
O	TUNER(IF)	R 0790	87-012-286-080	0E	C-CAP,U 0.01-25 K B	USM	CX-NDS50
O	TUNER(IF)	R 0790	87-012-286-080	0E	C-CAP,U 0.01-25 K B	USM	CX-NDS55
X	TUNER(IF)	R 0791	88-108-102-080	0E	C-RES,U 1K-1/16W J	USM	CX-NDS50
X	TUNER(IF)	R 0791	88-108-102-080	0E	C-RES,U 1K-1/16W J	USM	CX-NDS55
X	TUNER(IF)	R 0793	88-108-000-080	0E	C-JUMPER,U	USM	CX-NDS50
X	TUNER(IF)	R 0793	88-108-000-080	0E	C-JUMPER,U	USM	CX-NDS55
X	TUNER(IF)	R 0795	88-108-000-080	0E	C-JUMPER,U	USM	CX-NDS50
X	TUNER(IF)	R 0795	88-108-000-080	0E	C-JUMPER,U	USM	CX-NDS55
X	TUNER(IF)	R 0801	88-108-103-080	0E	C-RES,U 10K-1/16W J	USM	CX-NDS50
X	TUNER(IF)	R 0801	88-108-103-080	0E	C-RES,U 10K-1/16W J	USM	CX-NDS55
X	TUNER(IF)	R 0802	88-108-223-080	0E	C-RES,U 22K-1/16W J	USM	CX-NDS50
X	TUNER(IF)	R 0802	88-108-223-080	0E	C-RES,U 22K-1/16W J	USM	CX-NDS55
X	TUNER(IF)	R 0803	88-128-183-080	0E	C-RES, 18K-1/8W J	USM	CX-NDS50
X	TUNER(IF)	R 0803	88-128-183-080	0E	C-RES, 18K-1/8W J	USM	CX-NDS55
X	TUNER(IF)	R 0804	88-108-000-080	0E	C-JUMPER,U	USM	CX-NDS50
X	TUNER(IF)	R 0804	88-108-000-080	0E	C-JUMPER,U	USM	CX-NDS55
X	TUNER(IF)	R 0805	88-108-332-080	0E	C-RES,U 3.3K-1/16W J	USM	CX-NDS50
X	TUNER(IF)	R 0805	88-108-332-080	0E	C-RES,U 3.3K-1/16W J	USM	CX-NDS55
X	TUNER(IF)	R 0806	88-108-682-080	0E	C-RES,U 6.8K-1/16W J	USM	CX-NDS50
X	TUNER(IF)	R 0806	88-108-682-080	0E	C-RES,U 6.8K-1/16W J	USM	CX-NDS55
X	TUNER(IF)	R 0809	88-108-102-080	0E	C-RES,U 1K-1/16W J	USM	CX-NDS50
X	TUNER(IF)	R 0809	88-108-102-080	0E	C-RES,U 1K-1/16W J	USM	CX-NDS55
X	TUNER(IF)	R 0810	88-108-102-080	0E	C-RES,U 1K-1/16W J	USM	CX-NDS50
X	TUNER(IF)	R 0810	88-108-102-080	0E	C-RES,U 1K-1/16W J	USM	CX-NDS55
X	TUNER(IF)	R 0811	88-108-000-080	0E	C-JUMPER,U	USM	CX-NDS50
X	TUNER(IF)	R 0811	88-108-000-080	0E	C-JUMPER,U	USM	CX-NDS55
X	TUNER(IF)	R 0812	88-108-000-080	0E	C-JUMPER,U	USM	CX-NDS50
X	TUNER(IF)	R 0812	88-108-000-080	0E	C-JUMPER,U	USM	CX-NDS55
X	TUNER(IF)	R 0813	88-108-224-080	0E	C-RES,U 220K-1/16W J	USM	CX-NDS50
X	TUNER(IF)	R 0813	88-108-224-080	0E	C-RES,U 220K-1/16W J	USM	CX-NDS55
X	TUNER(IF)	R 0814	88-108-105-080	0E	C-RES,U 1M-1/16W J	USM	CX-NDS50
X	TUNER(IF)	R 0814	88-108-105-080	0E	C-RES,U 1M-1/16W J	USM	CX-NDS55
X	TUNER(IF)	R 0815	88-121-682-080	0E	RES, 6.8K-1/8W J	USM	CX-NDS50
X	TUNER(IF)	R 0815	88-121-682-080	0E	RES, 6.8K-1/8W J	USM	CX-NDS55
X	TUNER(IF)	R 0818	88-108-103-080	0E	C-RES,U 10K-1/16W J	USM	CX-NDS50
X	TUNER(IF)	R 0818	88-108-103-080	0E	C-RES,U 10K-1/16W J	USM	CX-NDS55
X	TUNER(IF)	R 0821	88-108-000-080	0E	C-JUMPER,U	USM	CX-NDS50
X	TUNER(IF)	R 0821	88-108-000-080	0E	C-JUMPER,U	USM	CX-NDS55
X	TUNER(IF)	R 0823	88-108-333-080	0E	C-RES,U 33K-1/16W J	USM	CX-NDS50
X	TUNER(IF)	R 0823	88-108-333-080	0E	C-RES,U 33K-1/16W J	USM	CX-NDS55
X	TUNER(IF)	R 0824	88-108-102-080	0E	C-RES,U 1K-1/16W J	USM	CX-NDS50
X	TUNER(IF)	R 0824	88-108-102-080	0E	C-RES,U 1K-1/16W J	USM	CX-NDS55
X	TUNER(IF)	R 0825	88-108-473-080	0E	C-RES,U 47K-1/16W J	USM	CX-NDS50
X	TUNER(IF)	R 0825	88-108-473-080	0E	C-RES,U 47K-1/16W J	USM	CX-NDS55
X	TUNER(IF)	R 0826	88-108-223-080	0E	C-RES,U 22K-1/16W J	USM	CX-NDS50
X	TUNER(IF)	R 0826	88-108-223-080	0E	C-RES,U 22K-1/16W J	USM	CX-NDS55
O	TUNER(PLL)	C 0971	87-A12-067-080	0E	CAP,E 330-16 SMG	USM	CX-NDS50
O	TUNER(PLL)	C 0971	87-A12-067-080	0E	CAP,E 330-16 SMG	USM	CX-NDS55

PARTS LIST

! = Δ SAFTY PARTS
 C = Components marked

All components used on this model at the production line are shown in this service manual.

However, please note that not all components will be available as spare parts for after-sales service.

Components marked S and O are designated as spare parts for service and will be stocked at the spare parts centers.

Components marked X and R are not designated as spare parts for after sales service, and will not be stocked at the spare parts centers.

K NO. = Only use Japanese.

! C	UNIT NAME	REF NO.	PARTS CODE	K NO.	DESCRIPTION	SUFFIX	MODEL NAME
O	TUNER (PLL)	C 0972	87-A12-090-080	0E	CAP,E 4.7-50 SMG	USM	CX-NDS50
O	TUNER (PLL)	C 0972	87-A12-090-080	0E	CAP,E 4.7-50 SMG	USM	CX-NDS55
O	TUNER (PLL)	C 0973	87-012-286-080	0E	C-CAP,U 0.01-25 K B	USM	CX-NDS50
O	TUNER (PLL)	C 0973	87-012-286-080	0E	C-CAP,U 0.01-25 K B	USM	CX-NDS55
O	TUNER (PLL)	C 0974	87-012-286-080	0E	C-CAP,U 0.01-25 K B	USM	CX-NDS50
O	TUNER (PLL)	C 0974	87-012-286-080	0E	C-CAP,U 0.01-25 K B	USM	CX-NDS55
O	TUNER (PLL)	C 0979	87-012-195-080	0E	C-CAP,U 100P-50 J CH	USM	CX-NDS50
O	TUNER (PLL)	C 0979	87-012-195-080	0E	C-CAP,U 100P-50 J CH	USM	CX-NDS55
O	TUNER (PLL)	C 0981	87-A12-071-080	0E	CAP,E 47-25 SMG	USM	CX-NDS50
O	TUNER (PLL)	C 0981	87-A12-071-080	0E	CAP,E 47-25 SMG	USM	CX-NDS55
O	TUNER (PLL)	C 0982	87-010-831-080	0E	C-CAP,U 0.1-16 Z F	USM	CX-NDS50
O	TUNER (PLL)	C 0982	87-010-831-080	0E	C-CAP,U 0.1-16 Z F	USM	CX-NDS55
O	TUNER (PLL)	C 0983	87-012-286-080	0E	C-CAP,U 0.01-25 K B	USM	CX-NDS50
O	TUNER (PLL)	C 0983	87-012-286-080	0E	C-CAP,U 0.01-25 K B	USM	CX-NDS55
O	TUNER (PLL)	C 0984	87-012-286-080	0E	C-CAP,U 0.01-25 K B	USM	CX-NDS50
O	TUNER (PLL)	C 0984	87-012-286-080	0E	C-CAP,U 0.01-25 K B	USM	CX-NDS55
O	TUNER (PLL)	C 0987	87-012-286-080	0E	C-CAP,U 0.01-25 K B	USM	CX-NDS50
O	TUNER (PLL)	C 0987	87-012-286-080	0E	C-CAP,U 0.01-25 K B	USM	CX-NDS55
O	TUNER (PLL)	C 0991	87-012-176-080	0E	C-CAP,U 15P-50 J CH	USM	CX-NDS50
O	TUNER (PLL)	C 0991	87-012-176-080	0E	C-CAP,U 15P-50 J CH	USM	CX-NDS55
O	TUNER (PLL)	C 0992	87-012-176-080	0E	C-CAP,U 15P-50 J CH	USM	CX-NDS50
O	TUNER (PLL)	C 0992	87-012-176-080	0E	C-CAP,U 15P-50 J CH	USM	CX-NDS55
O	TUNER (PLL)	C 0993	87-012-274-080	0E	C-CAP,U 1000P-50 K B	USM	CX-NDS50
O	TUNER (PLL)	C 0993	87-012-274-080	0E	C-CAP,U 1000P-50 K B	USM	CX-NDS55
O	TUNER (PLL)	C 0995	87-012-274-080	0E	C-CAP,U 1000P-50 K B	USM	CX-NDS50
O	TUNER (PLL)	C 0995	87-012-274-080	0E	C-CAP,U 1000P-50 K B	USM	CX-NDS55
O	TUNER (PLL)	C 0997	87-010-831-080	0E	C-CAP,U 0.1-16 Z F	USM	CX-NDS50
O	TUNER (PLL)	C 0997	87-010-831-080	0E	C-CAP,U 0.1-16 Z F	USM	CX-NDS55
O	TUNER (PLL)	C 0998	87-A12-071-080	0E	CAP,E 47-25 SMG	USM	CX-NDS50
O	TUNER (PLL)	C 0998	87-A12-071-080	0E	CAP,E 47-25 SMG	USM	CX-NDS55
O	TUNER (PLL)	C 0999	87-A11-155-080	0E	CAP,TC U 0.01-16 Z F	USM	CX-NDS50
O	TUNER (PLL)	C 0999	87-A11-155-080	0E	CAP,TC U 0.01-16 Z F	USM	CX-NDS55
S	TUNER (PLL)	D 0991	87-017-149-080	0E	ZENER,HZS6A2L	USM	CX-NDS50
S	TUNER (PLL)	D 0991	87-017-149-080	0E	ZENER,HZS6A2L	USM	CX-NDS55
S	TUNER (PLL)	D 0994	87-A40-291-080	0E	DIODE,1N4148M (CPT)	USM	CX-NDS50
S	TUNER (PLL)	D 0994	87-A40-291-080	0E	DIODE,1N4148M (CPT)	USM	CX-NDS55
S	TUNER (PLL)	IC 0991	87-A21-928-010	1C	IC,LC72131D-N	USM	CX-NDS50
S	TUNER (PLL)	IC 0991	87-A21-928-010	1C	IC,LC72131D-N	USM	CX-NDS55
X	TUNER (PLL)	JR 0971	88-129-000-080	0E	C-JUMPER, 3216	USM	CX-NDS50
X	TUNER (PLL)	JR 0971	88-129-000-080	0E	C-JUMPER, 3216	USM	CX-NDS55
X	TUNER (PLL)	JR 0972	88-108-000-080	0E	C-JUMPER,U	USM	CX-NDS50
X	TUNER (PLL)	JR 0972	88-108-000-080	0E	C-JUMPER,U	USM	CX-NDS55
X	TUNER (PLL)	JR 0973	88-129-000-080	0E	C-JUMPER, 3216	USM	CX-NDS50
X	TUNER (PLL)	JR 0973	88-129-000-080	0E	C-JUMPER, 3216	USM	CX-NDS55
X	TUNER (PLL)	JR 0974	88-108-000-080	0E	C-JUMPER,U	USM	CX-NDS50
X	TUNER (PLL)	JR 0974	88-108-000-080	0E	C-JUMPER,U	USM	CX-NDS55
X	TUNER (PLL)	JR 0976	88-108-000-080	0E	C-JUMPER,U	USM	CX-NDS50
X	TUNER (PLL)	JR 0976	88-108-000-080	0E	C-JUMPER,U	USM	CX-NDS55
X	TUNER (PLL)	JR 0977	88-108-000-080	0E	C-JUMPER,U	USM	CX-NDS50
X	TUNER (PLL)	JR 0977	88-108-000-080	0E	C-JUMPER,U	USM	CX-NDS55
X	TUNER (PLL)	JR 0988	88-108-000-080	0E	C-JUMPER,U	USM	CX-NDS50
X	TUNER (PLL)	JR 0988	88-108-000-080	0E	C-JUMPER,U	USM	CX-NDS55
X	TUNER (PLL)	JR 0991	88-108-000-080	0E	C-JUMPER,U	USM	CX-NDS50
X	TUNER (PLL)	JR 0991	88-108-000-080	0E	C-JUMPER,U	USM	CX-NDS55
S	TUNER (PLL)	Q 0981	87-A30-234-080	0E	TR,CSC4115BC	USM	CX-NDS50
S	TUNER (PLL)	Q 0981	87-A30-234-080	0E	TR,CSC4115BC	USM	CX-NDS55
X	TUNER (PLL)	R 0975	88-108-562-080	0E	C-RES,U 5.6K-1/16W J	USM	CX-NDS50
X	TUNER (PLL)	R 0975	88-108-562-080	0E	C-RES,U 5.6K-1/16W J	USM	CX-NDS55
X	TUNER (PLL)	R 0976	88-108-102-080	0E	C-RES,U 1K-1/16W J	USM	CX-NDS50
X	TUNER (PLL)	R 0976	88-108-102-080	0E	C-RES,U 1K-1/16W J	USM	CX-NDS55
X	TUNER (PLL)	R 0977	88-108-102-080	0E	C-RES,U 1K-1/16W J	USM	CX-NDS50
X	TUNER (PLL)	R 0977	88-108-102-080	0E	C-RES,U 1K-1/16W J	USM	CX-NDS55
X	TUNER (PLL)	R 0978	88-108-681-080	0E	C-RES,U 680-1/16W J	USM	CX-NDS50
X	TUNER (PLL)	R 0978	88-108-681-080	0E	C-RES,U 680-1/16W J	USM	CX-NDS55
X	TUNER (PLL)	R 0980	88-108-684-080	0E	C-RES,U 680K-1/16W J	USM	CX-NDS50
X	TUNER (PLL)	R 0980	88-108-684-080	0E	C-RES,U 680K-1/16W J	USM	CX-NDS55
X	TUNER (PLL)	R 0981	88-121-471-080	0E	RES,470-1/8W J	USM	CX-NDS50
X	TUNER (PLL)	R 0981	88-121-471-080	0E	RES,470-1/8W J	USM	CX-NDS55
X	TUNER (PLL)	R 0982	88-108-822-080	0E	C-RES,U 8.2K-1/16W J	USM	CX-NDS50
X	TUNER (PLL)	R 0982	88-108-822-080	0E	C-RES,U 8.2K-1/16W J	USM	CX-NDS55

PARTS LIST

! = Δ SAFTY PARTS
 C = Components marked

All components used on this model at the production line are shown in this service manual.

However, please note that not all components will be available as spare parts for after-sales service.

Components marked S and O are designated as spare parts for service and will be stocked at the spare parts centers.

Components marked X and R are not designated as spare parts for after sales service, and will not be stocked at the spare parts centers.

K NO. = Only use Japanese.

! C	UNIT NAME	REF NO.	PARTS CODE	K NO.	DESCRIPTION	SUFFIX	MODEL NAME
X	TUNER (PLL)	R 0983	88-108-101-080	0E	C-RES,U 100-1/16W J	USM	CX-NDS50
X	TUNER (PLL)	R 0983	88-108-101-080	0E	C-RES,U 100-1/16W J	USM	CX-NDS55
X	TUNER (PLL)	R 0984	88-121-181-080	0E	RES,180-1/8W J	USM	CX-NDS50
X	TUNER (PLL)	R 0984	88-121-181-080	0E	RES,180-1/8W J	USM	CX-NDS55
X	TUNER (PLL)	R 0985	88-121-471-080	0E	RES,470-1/8W J	USM	CX-NDS50
X	TUNER (PLL)	R 0985	88-121-471-080	0E	RES,470-1/8W J	USM	CX-NDS55
X	TUNER (PLL)	R 0986	88-121-222-080	0E	RES,2.2K-1/8W J	USM	CX-NDS50
X	TUNER (PLL)	R 0986	88-121-222-080	0E	RES,2.2K-1/8W J	USM	CX-NDS55
X	TUNER (PLL)	R 0987	88-121-472-080	0E	RES,4.7K-1/8W J	USM	CX-NDS50
X	TUNER (PLL)	R 0987	88-121-472-080	0E	RES,4.7K-1/8W J	USM	CX-NDS55
X	TUNER (PLL)	R 0988	88-108-103-080	0E	C-RES,U 10K-1/16W J	USM	CX-NDS50
X	TUNER (PLL)	R 0988	88-108-103-080	0E	C-RES,U 10K-1/16W J	USM	CX-NDS55
X	TUNER (PLL)	R 0989	88-121-102-080	0E	RES,1K-1/8W J	USM	CX-NDS50
X	TUNER (PLL)	R 0989	88-121-102-080	0E	RES,1K-1/8W J	USM	CX-NDS55
X	TUNER (PLL)	R 0990	88-108-563-080	0E	C-RES,U 56K-1/16W J	USM	CX-NDS50
X	TUNER (PLL)	R 0990	88-108-563-080	0E	C-RES,U 56K-1/16W J	USM	CX-NDS55
O	TUNER (PLL)	R 0991	87-012-195-080	0E	C-CAP,U 100P-50 J CH	USM	CX-NDS50
O	TUNER (PLL)	R 0991	87-012-195-080	0E	C-CAP,U 100P-50 J CH	USM	CX-NDS55
X	TUNER (PLL)	R 0992	88-108-103-080	0E	C-RES,U 10K-1/16W J	USM	CX-NDS50
X	TUNER (PLL)	R 0992	88-108-103-080	0E	C-RES,U 10K-1/16W J	USM	CX-NDS55
O	TUNER (PLL)	R 0993	87-012-195-080	0E	C-CAP,U 100P-50 J CH	USM	CX-NDS50
O	TUNER (PLL)	R 0993	87-012-195-080	0E	C-CAP,U 100P-50 J CH	USM	CX-NDS55
X	TUNER (PLL)	R 0994	88-108-103-080	0E	C-RES,U 10K-1/16W J	USM	CX-NDS50
X	TUNER (PLL)	R 0994	88-108-103-080	0E	C-RES,U 10K-1/16W J	USM	CX-NDS55
O	TUNER (PLL)	R 0995	87-012-195-080	0E	C-CAP,U 100P-50 J CH	USM	CX-NDS50
O	TUNER (PLL)	R 0995	87-012-195-080	0E	C-CAP,U 100P-50 J CH	USM	CX-NDS55
X	TUNER (PLL)	R 0996	88-108-103-080	0E	C-RES,U 10K-1/16W J	USM	CX-NDS50
X	TUNER (PLL)	R 0996	88-108-103-080	0E	C-RES,U 10K-1/16W J	USM	CX-NDS55
X	TUNER (PLL)	R 0997	88-108-154-080	0E	C-RES,U 150K-1/16W J	USM	CX-NDS50
X	TUNER (PLL)	R 0997	88-108-154-080	0E	C-RES,U 150K-1/16W J	USM	CX-NDS55
X	TUNER (PLL)	R 0998	88-108-102-080	0E	C-RES,U 1K-1/16W J	USM	CX-NDS50
X	TUNER (PLL)	R 0998	88-108-102-080	0E	C-RES,U 1K-1/16W J	USM	CX-NDS55
X	TUNER (PLL)	R 0999	88-108-103-080	0E	C-RES,U 10K-1/16W J	USM	CX-NDS50
X	TUNER (PLL)	R 0999	88-108-103-080	0E	C-RES,U 10K-1/16W J	USM	CX-NDS55
O	TUNER (PLL)	X 0992	87-A70-306-010	1A	VIB,XTAL 4.500MHZ CSA-309ST	USM	CX-NDS50
O	TUNER (PLL)	X 0992	87-A70-306-010	1A	VIB,XTAL 4.500MHZ CSA-309ST	USM	CX-NDS55
X	TUNER (RDS)	JR 0871	88-108-000-080	0E	C-JUMPER,U	USM	CX-NDS50
X	TUNER (RDS)	JR 0871	88-108-000-080	0E	C-JUMPER,U	USM	CX-NDS55
X	TUNER (RDS)	JR 0873	88-108-000-080	0E	C-JUMPER,U	USM	CX-NDS50
X	TUNER (RDS)	JR 0873	88-108-000-080	0E	C-JUMPER,U	USM	CX-NDS55
O	TUNER (RF)	C 0831	87-010-406-080	0E	CAP,E 22-50 M 11L SME	USM	CX-NDS50
O	TUNER (RF)	C 0831	87-010-406-080	0E	CAP,E 22-50 M 11L SME	USM	CX-NDS55
O	TUNER (RF)	C 0842	87-012-286-080	0E	C-CAP,U 0.01-25 K B	USM	CX-NDS50
O	TUNER (RF)	C 0842	87-012-286-080	0E	C-CAP,U 0.01-25 K B	USM	CX-NDS55
X	TUNER (RF)	C 0843	88-108-000-080	0E	C-JUMPER,U	USM	CX-NDS50
X	TUNER (RF)	C 0843	88-108-000-080	0E	C-JUMPER,U	USM	CX-NDS55
O	TUNER (RF)	C 0844	87-012-286-080	0E	C-CAP,U 0.01-25 K B	USM	CX-NDS50
O	TUNER (RF)	C 0844	87-012-286-080	0E	C-CAP,U 0.01-25 K B	USM	CX-NDS55
X	TUNER (RF)	C 0845	88-108-000-080	0E	C-JUMPER,U	USM	CX-NDS50
X	TUNER (RF)	C 0845	88-108-000-080	0E	C-JUMPER,U	USM	CX-NDS55
X	TUNER (RF)	C 0846	88-108-000-080	0E	C-JUMPER,U	USM	CX-NDS50
X	TUNER (RF)	C 0846	88-108-000-080	0E	C-JUMPER,U	USM	CX-NDS55
X	TUNER (RF)	C 0847	88-108-000-080	0E	C-JUMPER,U	USM	CX-NDS50
X	TUNER (RF)	C 0847	88-108-000-080	0E	C-JUMPER,U	USM	CX-NDS55
X	TUNER (RF)	C 0848	88-108-000-080	0E	C-JUMPER,U	USM	CX-NDS50
X	TUNER (RF)	C 0848	88-108-000-080	0E	C-JUMPER,U	USM	CX-NDS55
X	TUNER (RF)	C 0849	88-108-000-080	0E	C-JUMPER,U	USM	CX-NDS50
X	TUNER (RF)	C 0849	88-108-000-080	0E	C-JUMPER,U	USM	CX-NDS55
O	TUNER (RF)	C 0850	87-A12-071-080	0E	CAP,E 47-25 SMG	USM	CX-NDS50
O	TUNER (RF)	C 0850	87-A12-071-080	0E	CAP,E 47-25 SMG	USM	CX-NDS55
O	TUNER (RF)	C 0851	87-012-286-080	0E	C-CAP,U 0.01-25 K B	USM	CX-NDS50
O	TUNER (RF)	C 0851	87-012-286-080	0E	C-CAP,U 0.01-25 K B	USM	CX-NDS55
O	TUNER (RF)	C 0852	87-012-286-080	0E	C-CAP,U 0.01-25 K B	USM	CX-NDS50
O	TUNER (RF)	C 0852	87-012-286-080	0E	C-CAP,U 0.01-25 K B	USM	CX-NDS55
O	TUNER (RF)	C 0853	87-012-286-080	0E	C-CAP,U 0.01-25 K B	USM	CX-NDS50
O	TUNER (RF)	C 0853	87-012-286-080	0E	C-CAP,U 0.01-25 K B	USM	CX-NDS55
O	TUNER (RF)	C 0858	87-010-831-080	0E	C-CAP,U 0.1-16 Z F	USM	CX-NDS50
O	TUNER (RF)	C 0858	87-010-831-080	0E	C-CAP,U 0.1-16 Z F	USM	CX-NDS55
O	TUNER (RF)	C 0859	87-010-759-080	0E	C-CAP,U 0.1-25 Z F	USM	CX-NDS50
O	TUNER (RF)	C 0859	87-010-759-080	0E	C-CAP,U 0.1-25 Z F	USM	CX-NDS55

PARTS LIST

! = Δ SAFTY PARTS
 C = Components marked

All components used on this model at the production line are shown in this service manual.

However, please note that not all components will be available as spare parts for after-sales service.

Components marked S and O are designated as spare parts for service and will be stocked at the spare parts centers.

Components marked X and R are not designated as spare parts for after sales service, and will not be stocked at the spare parts centers.

K NO. = Only use Japanese.

! C	UNIT NAME	REF NO.	PARTS CODE	K NO.	DESCRIPTION	SUFFIX	MODEL NAME
O	TUNER(RF)	C 0860	87-012-286-080	0E	C-CAP,U 0.01-25 K B	USM	CX-NDS50
O	TUNER(RF)	C 0860	87-012-286-080	0E	C-CAP,U 0.01-25 K B	USM	CX-NDS55
X	TUNER(RF)	C 0940	88-108-000-080	0E	C-JUMPER,U	USM	CX-NDS50
X	TUNER(RF)	C 0940	88-108-000-080	0E	C-JUMPER,U	USM	CX-NDS55
O	TUNER(RF)	C 0959	87-010-831-080	0E	C-CAP,U 0.1-16 Z F	USM	CX-NDS50
O	TUNER(RF)	C 0959	87-010-831-080	0E	C-CAP,U 0.1-16 Z F	USM	CX-NDS55
O	TUNER(RF)	C 0960	87-010-831-080	0E	C-CAP,U 0.1-16 Z F	USM	CX-NDS50
O	TUNER(RF)	C 0960	87-010-831-080	0E	C-CAP,U 0.1-16 Z F	USM	CX-NDS55
O	TUNER(RF)	C 0961	87-012-167-080	0E	C-CAP,U 5P-50 C CH	USM	CX-NDS50
O	TUNER(RF)	C 0961	87-012-167-080	0E	C-CAP,U 5P-50 C CH	USM	CX-NDS55
O	TUNER(RF)	C 0963	87-015-785-080	0E	C-CAP, 0.1-25 Z F C3216	USM	CX-NDS50
O	TUNER(RF)	C 0963	87-015-785-080	0E	C-CAP, 0.1-25 Z F C3216	USM	CX-NDS55
O	TUNER(RF)	CF 0831	87-008-261-010	1A	FLTR,CF SFE10.7MA5	USM	CX-NDS50
O	TUNER(RF)	CF 0831	87-008-261-010	1A	FLTR,CF SFE10.7MA5	USM	CX-NDS55
O	TUNER(RF)	CF 0832	87-008-261-010	1A	FLTR,CF SFE10.7MA5	USM	CX-NDS50
O	TUNER(RF)	CF 0832	87-008-261-010	1A	FLTR,CF SFE10.7MA5	USM	CX-NDS55
X	TUNER(RF)	D 0944	88-100-000-010	0E	PLATING-JW, 0.58 SN95	USM	CX-NDS50
X	TUNER(RF)	D 0944	88-100-000-010	0E	PLATING-JW, 0.58 SN95	USM	CX-NDS55
O	TUNER(RF)	FFE0831	A8-6ZA-19H-030	--	6ZA-1 FEMENM	USM	CX-NDS50
O	TUNER(RF)	FFE0831	A8-6ZA-19H-030	--	6ZA-1 FEMENM	USM	CX-NDS55
!	O TUNER(RF)	J 0831	87-A60-202-010	1A	TERMINAL,ANT 4P MSP-154V-02	USM	CX-NDS50
!	O TUNER(RF)	J 0831	87-A60-202-010	1A	TERMINAL,ANT 4P MSP-154V-02	USM	CX-NDS55
X	TUNER(RF)	JR 0834	88-108-000-080	0E	C-JUMPER,U	USM	CX-NDS50
X	TUNER(RF)	JR 0834	88-108-000-080	0E	C-JUMPER,U	USM	CX-NDS55
X	TUNER(RF)	JR 0835	88-108-561-080	0E	C-RES,U 560-1/16W J	USM	CX-NDS50
X	TUNER(RF)	JR 0835	88-108-561-080	0E	C-RES,U 560-1/16W J	USM	CX-NDS55
X	TUNER(RF)	JR 0851	88-129-000-080	0E	C-JUMPER, 3216	USM	CX-NDS50
X	TUNER(RF)	JR 0851	88-129-000-080	0E	C-JUMPER, 3216	USM	CX-NDS55
X	TUNER(RF)	JR 0943	88-108-000-080	0E	C-JUMPER,U	USM	CX-NDS50
X	TUNER(RF)	JR 0943	88-108-000-080	0E	C-JUMPER,U	USM	CX-NDS55
X	TUNER(RF)	JR 0946	88-108-000-080	0E	C-JUMPER,U	USM	CX-NDS50
X	TUNER(RF)	JR 0946	88-108-000-080	0E	C-JUMPER,U	USM	CX-NDS55
X	TUNER(RF)	JR 0951	88-108-000-080	0E	C-JUMPER,U	USM	CX-NDS50
X	TUNER(RF)	JR 0951	88-108-000-080	0E	C-JUMPER,U	USM	CX-NDS55
X	TUNER(RF)	JR 0952	88-108-000-080	0E	C-JUMPER,U	USM	CX-NDS50
X	TUNER(RF)	JR 0952	88-108-000-080	0E	C-JUMPER,U	USM	CX-NDS55
X	TUNER(RF)	JR 0954	88-108-000-080	0E	C-JUMPER,U	USM	CX-NDS50
X	TUNER(RF)	JR 0954	88-108-000-080	0E	C-JUMPER,U	USM	CX-NDS55
X	TUNER(RF)	JR 0955	88-108-000-080	0E	C-JUMPER,U	USM	CX-NDS50
X	TUNER(RF)	JR 0955	88-108-000-080	0E	C-JUMPER,U	USM	CX-NDS55
X	TUNER(RF)	JR 0964	88-129-000-080	0E	C-JUMPER, 3216	USM	CX-NDS50
X	TUNER(RF)	JR 0964	88-129-000-080	0E	C-JUMPER, 3216	USM	CX-NDS55
O	TUNER(RF)	L 0832	87-005-847-080	0E	COIL,2.2UH K CECS	USM	CX-NDS50
O	TUNER(RF)	L 0832	87-005-847-080	0E	COIL,2.2UH K CECS	USM	CX-NDS55
O	TUNER(RF)	L 0951	8A-NF8-667-010	1C	COIL,AM PACK 4(TOK)	USM	CX-NDS50
O	TUNER(RF)	L 0951	8A-NF8-667-010	1C	COIL,AM PACK 4(TOK)	USM	CX-NDS55
S	TUNER(RF)	Q 0835	89-327-143-080	0E	C-TR,2SC2714O	USM	CX-NDS50
S	TUNER(RF)	Q 0835	89-327-143-080	0E	C-TR,2SC2714O	USM	CX-NDS55
S	TUNER(RF)	Q 0836	87-A30-489-080	0E	C-TR,KRA107S	USM	CX-NDS50
S	TUNER(RF)	Q 0836	87-A30-489-080	0E	C-TR,KRA107S	USM	CX-NDS55
X	TUNER(RF)	R 0832	88-108-391-080	0E	C-RES,U 390-1/16W J	USM	CX-NDS50
X	TUNER(RF)	R 0832	88-108-391-080	0E	C-RES,U 390-1/16W J	USM	CX-NDS55
X	TUNER(RF)	R 0836	88-108-102-080	0E	C-RES,U 1K-1/16W J	USM	CX-NDS50
X	TUNER(RF)	R 0836	88-108-102-080	0E	C-RES,U 1K-1/16W J	USM	CX-NDS55
X	TUNER(RF)	R 0839	88-108-151-080	0E	C-RES,U 150-1/16W J	USM	CX-NDS50
X	TUNER(RF)	R 0839	88-108-151-080	0E	C-RES,U 150-1/16W J	USM	CX-NDS55
X	TUNER(RF)	R 0840	88-108-221-080	0E	C-RES,U 220-1/16W J	USM	CX-NDS50
X	TUNER(RF)	R 0840	88-108-221-080	0E	C-RES,U 220-1/16W J	USM	CX-NDS55
X	TUNER(RF)	R 0850	88-108-103-080	0E	C-RES,U 10K-1/16W J	USM	CX-NDS50
X	TUNER(RF)	R 0850	88-108-103-080	0E	C-RES,U 10K-1/16W J	USM	CX-NDS55
X	TUNER(RF)	R 0851	88-118-470-080	0E	C-RES,S 47-1/10W J	USM	CX-NDS50
X	TUNER(RF)	R 0851	88-118-470-080	0E	C-RES,S 47-1/10W J	USM	CX-NDS55
X	TUNER(RF)	R 0852	88-108-103-080	0E	C-RES,U 10K-1/16W J	USM	CX-NDS50
X	TUNER(RF)	R 0852	88-108-103-080	0E	C-RES,U 10K-1/16W J	USM	CX-NDS55
X	TUNER(RF)	R 0853	88-108-102-080	0E	C-RES,U 1K-1/16W J	USM	CX-NDS50
X	TUNER(RF)	R 0853	88-108-102-080	0E	C-RES,U 1K-1/16W J	USM	CX-NDS55
X	TUNER(RF)	R 0854	88-108-331-080	0E	C-RES,U 330-1/16W J	USM	CX-NDS50
X	TUNER(RF)	R 0854	88-108-331-080	0E	C-RES,U 330-1/16W J	USM	CX-NDS55
X	TUNER(RF)	R 0855	88-108-183-080	0E	C-RES,U 18K-1/16W J	USM	CX-NDS50
X	TUNER(RF)	R 0855	88-108-183-080	0E	C-RES,U 18K-1/16W J	USM	CX-NDS55

PARTS LIST

- ! = Δ SAFTY PARTS
 C = Components marked

All components used on this model at the production line are shown in this service manual.

However, please note that not all components will be available as spare parts for after-sales service.

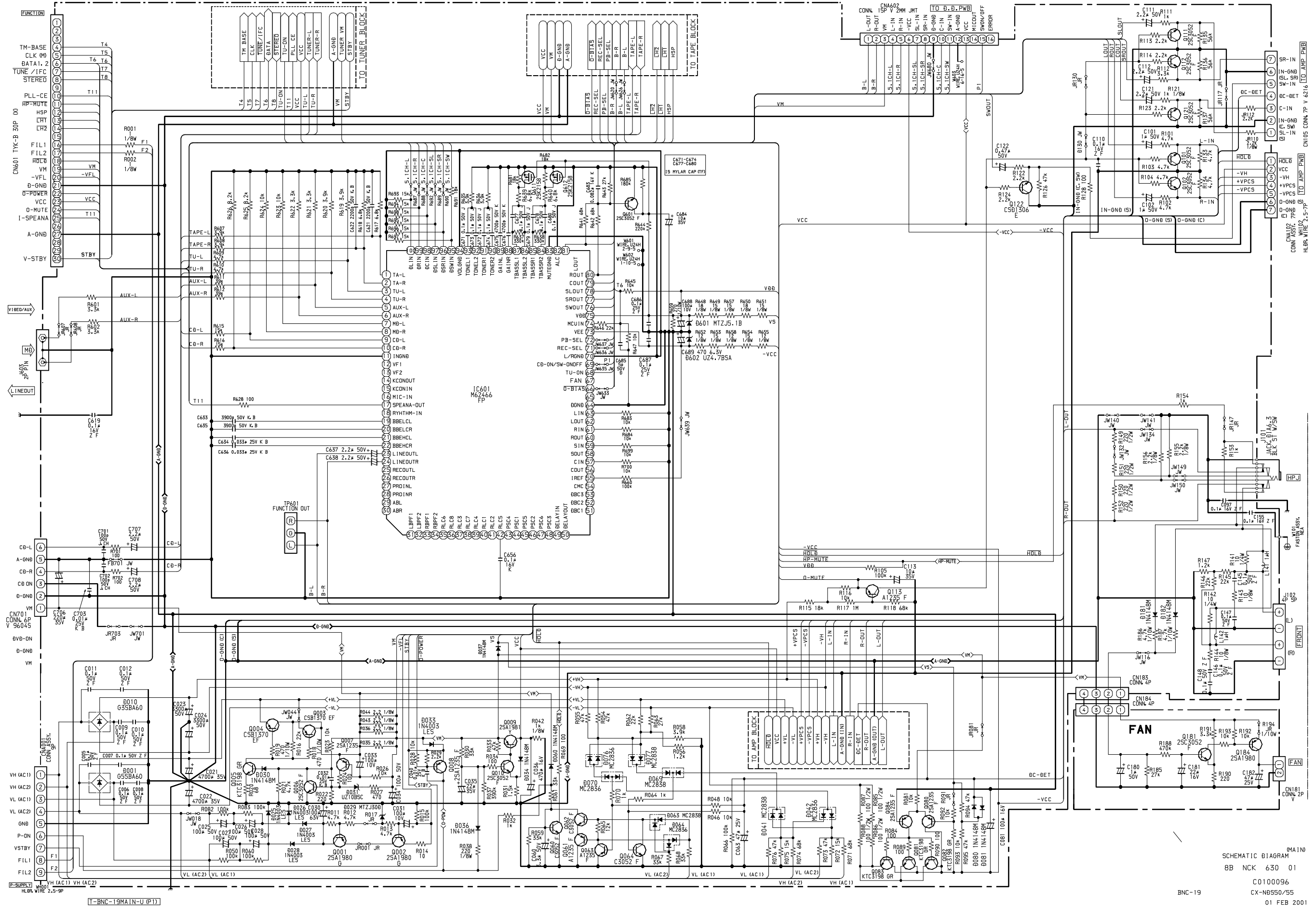
Components marked S and O are designated as spare parts for service and will be stocked at the spare parts centers.

Components marked X and R are not designated as spare parts for after sales service, and will not be stocked at the spare parts centers.

K NO. = Only use Japanese.

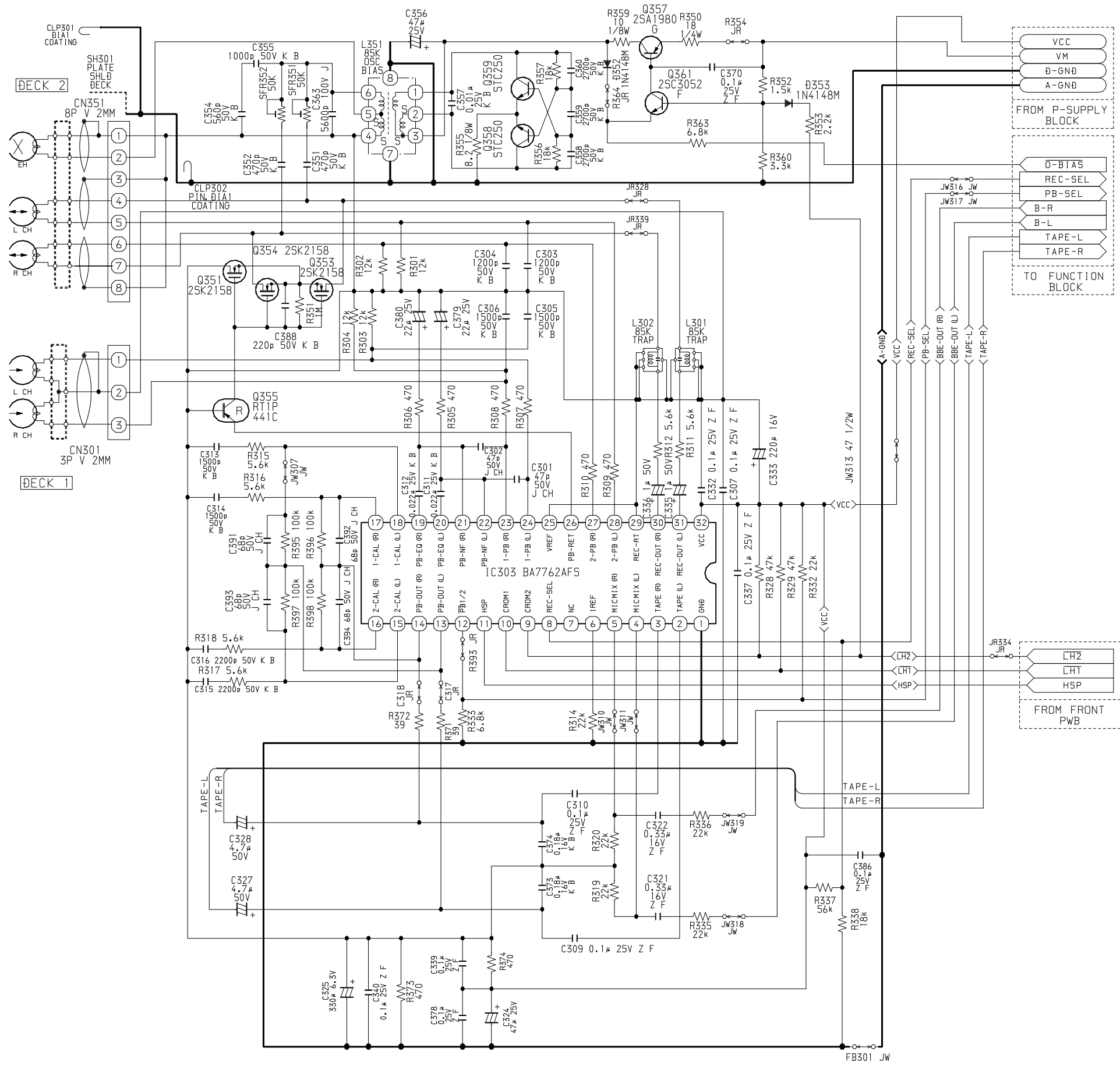
! C	UNIT NAME	REF NO.	PARTS CODE	K NO.	DESCRIPTION	SUFFIX	MODEL NAME
X	TUNER(RF)	R 0856	88-108-103-080	0E	C-RES,U 10K-1/16W J	USM	CX-NDS50
X	TUNER(RF)	R 0856	88-108-103-080	0E	C-RES,U 10K-1/16W J	USM	CX-NDS55
X	TUNER(RF)	R 0857	88-108-181-080	0E	C-RES,U 180-1/16W J	USM	CX-NDS50
X	TUNER(RF)	R 0857	88-108-181-080	0E	C-RES,U 180-1/16W J	USM	CX-NDS55
X	TUNER(RF)	R 0858	88-108-101-080	0E	C-RES,U 100-1/16W J	USM	CX-NDS50
X	TUNER(RF)	R 0858	88-108-101-080	0E	C-RES,U 100-1/16W J	USM	CX-NDS55
X	TUNER(RF)	R 0860	88-108-101-080	0E	C-RES,U 100-1/16W J	USM	CX-NDS50
X	TUNER(RF)	R 0860	88-108-101-080	0E	C-RES,U 100-1/16W J	USM	CX-NDS55
X	TUNER(RF)	R 0945	88-108-104-080	0E	C-RES,U 100K-1/16W J	USM	CX-NDS50
X	TUNER(RF)	R 0945	88-108-104-080	0E	C-RES,U 100K-1/16W J	USM	CX-NDS55
X	TUNER(RF)	R 0962	88-121-221-080	0E	RES,220-1/8W J	USM	CX-NDS50
X	TUNER(RF)	R 0962	88-121-221-080	0E	RES,220-1/8W J	USM	CX-NDS55
X	TUNER(RF)	R 0963	88-108-330-080	0E	C-RES,U 33-1/16W J	USM	CX-NDS50
X	TUNER(RF)	R 0963	88-108-330-080	0E	C-RES,U 33-1/16W J	USM	CX-NDS55
X	TUNER(RF)	SH 0831	87-A90-023-010	0E	SHLD-PLATE,ANT	USM	CX-NDS50
X	TUNER(RF)	SH 0831	87-A90-023-010	0E	SHLD-PLATE,ANT	USM	CX-NDS55

SCHEMATIC DIAGRAM - 1 (MAIN (1/4) : MAIN)



SCHEMATIC DIAGRAM (MAIN)
 BB NCK 630 01
 C0100096
 CX-NB550/55
 01 FEB 2001

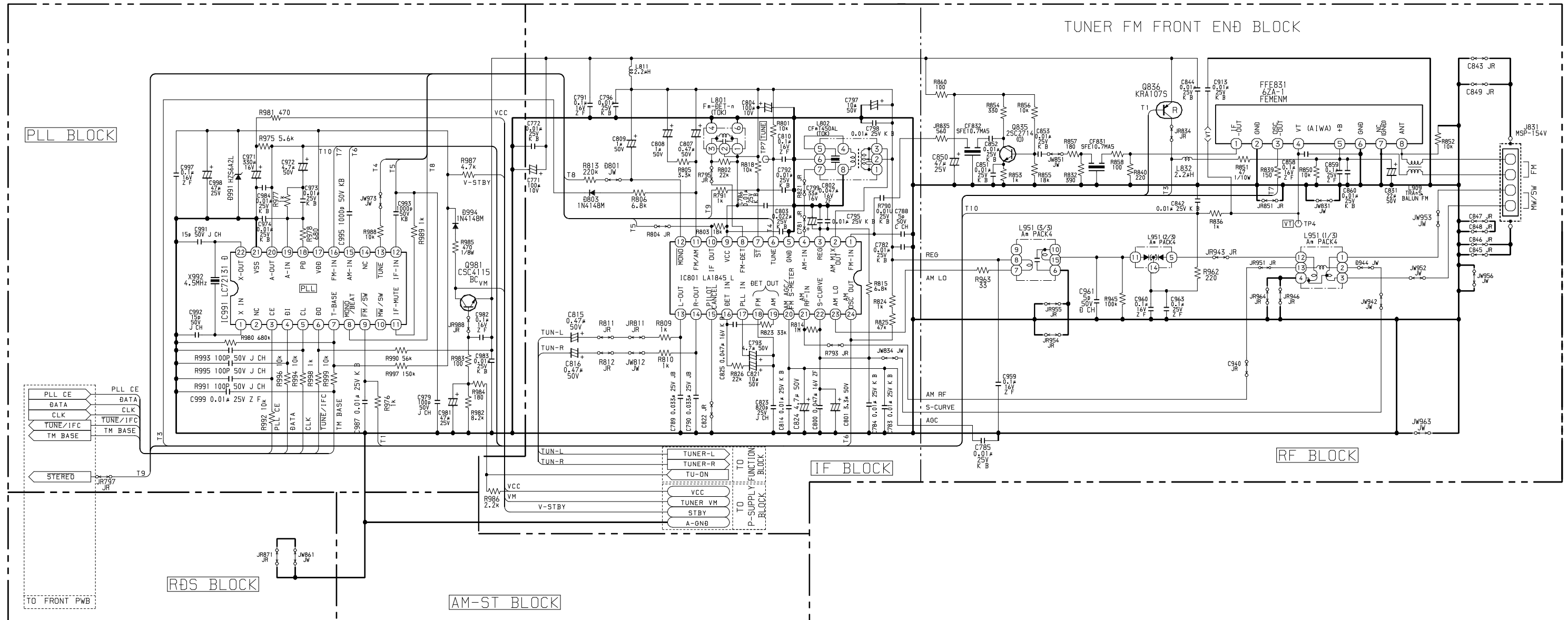
SCHEMATIC DIAGRAM - 2 (MAIN (2/4) : DECK)



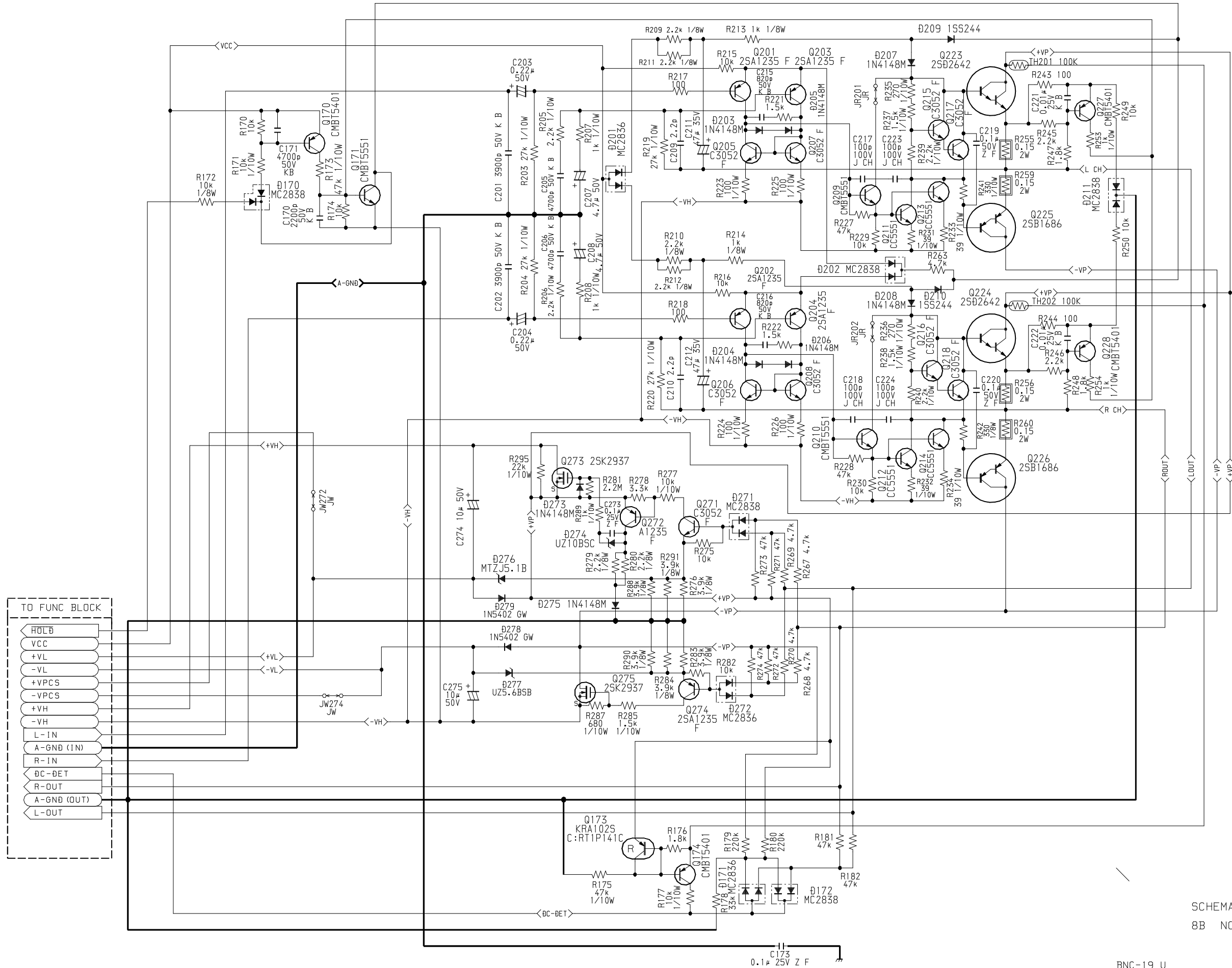
C-DECK

D-BNC-19-MAIN (P2)

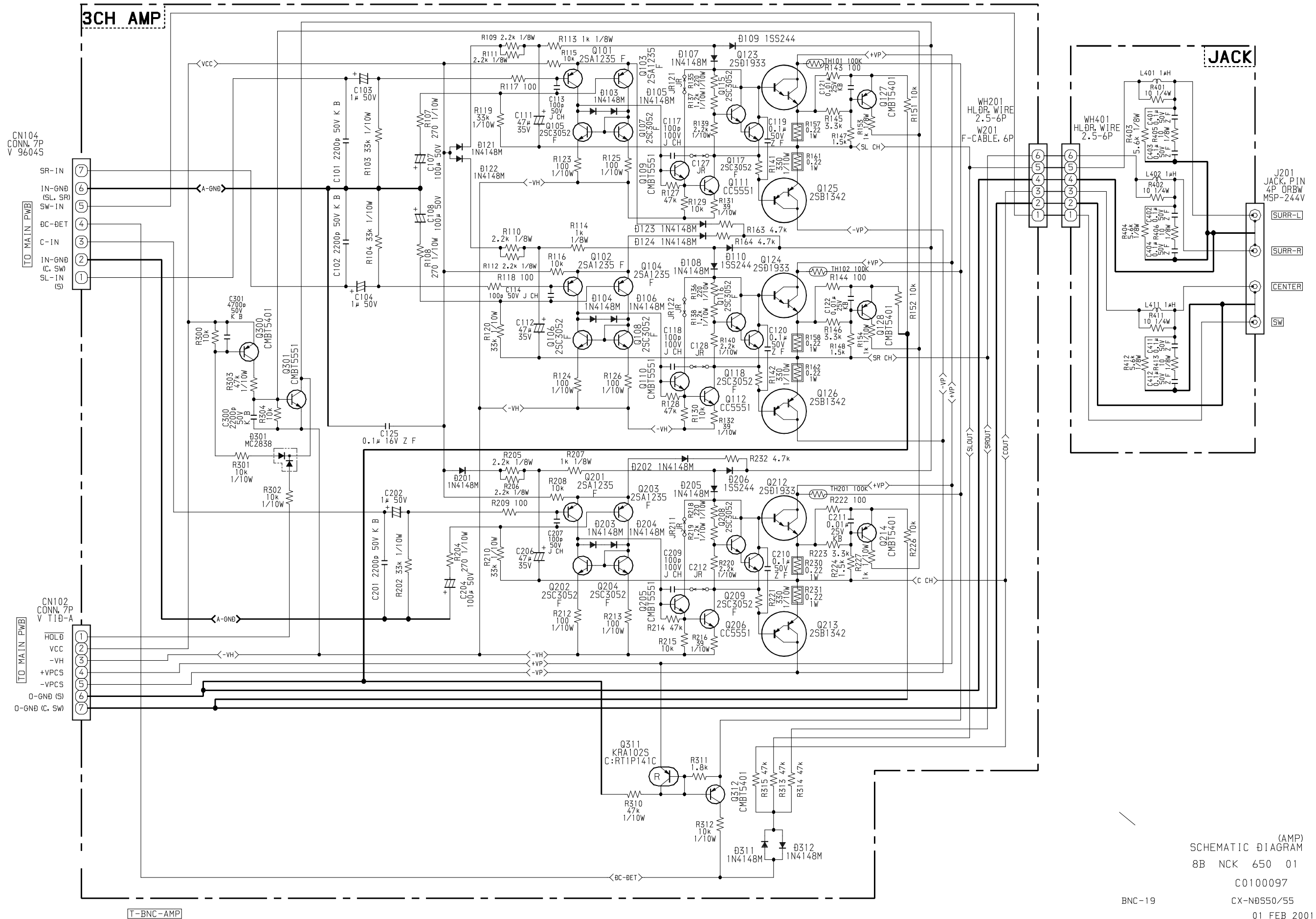
SCHEMATIC DIAGRAM-3 (MAIN (3/4) : TUNER)



SCHEMATIC DIAGRAM-4 (MAIN (4/4) :AMP)

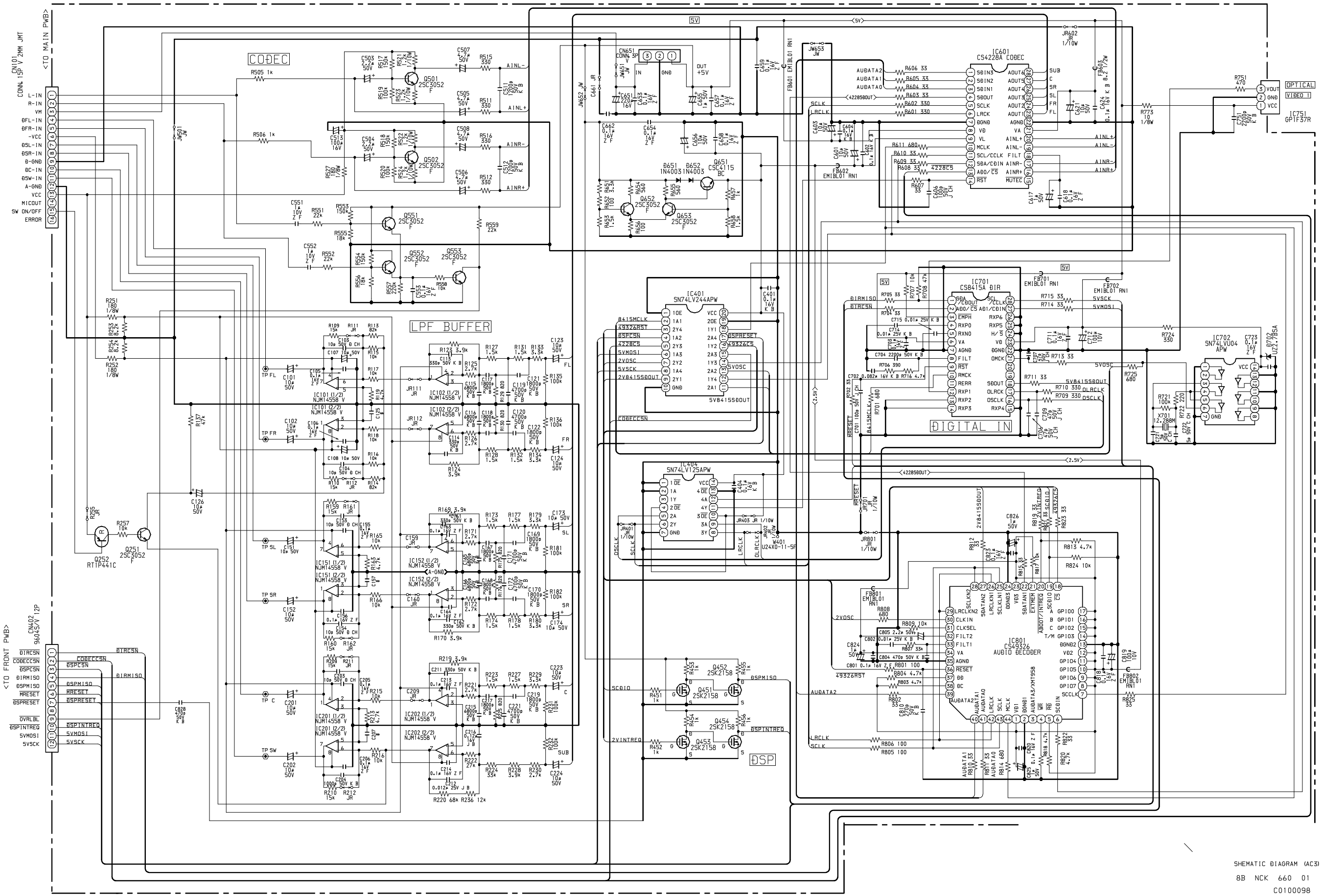


SCHEMATIC DIAGRAM - 5 (AMP 3CH)



(AMP)
 SCHEMATIC DIAGRAM
 8B NCK 650 01
 C0100097
 CX-NB550/55
 01 FEB 2001

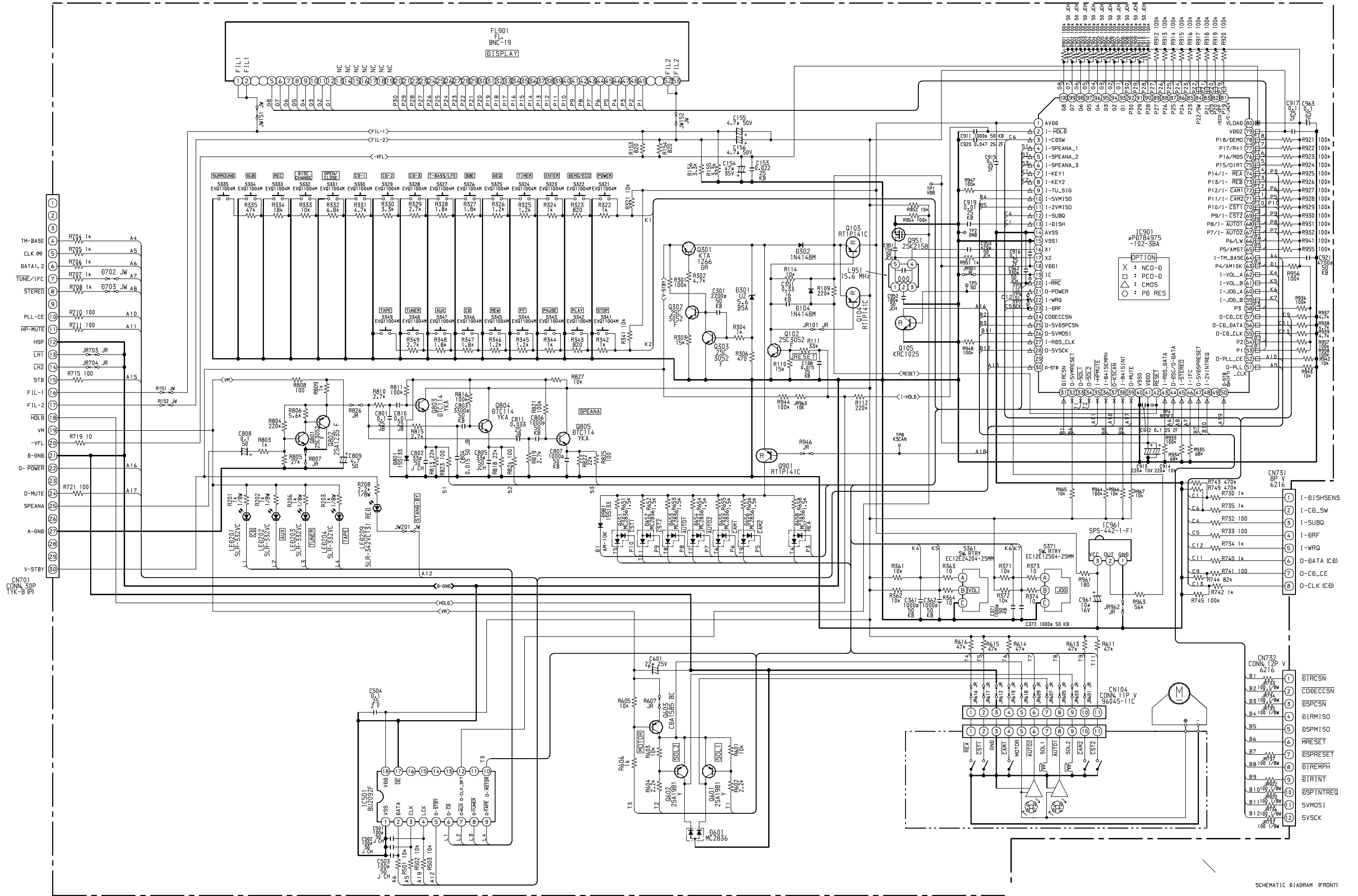
SCHEMATIC DIAGRAM - 6 (AC3)



B-BNC-19AC3-U

SCHEMATIC DIAGRAM (AC3)
 8B NCK 660 01
 C0100098
 BNC-19 U CX-ND550/55
 01 FEB 2001

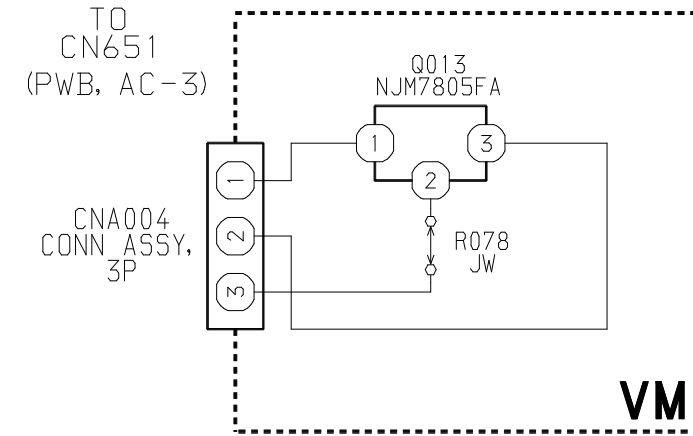
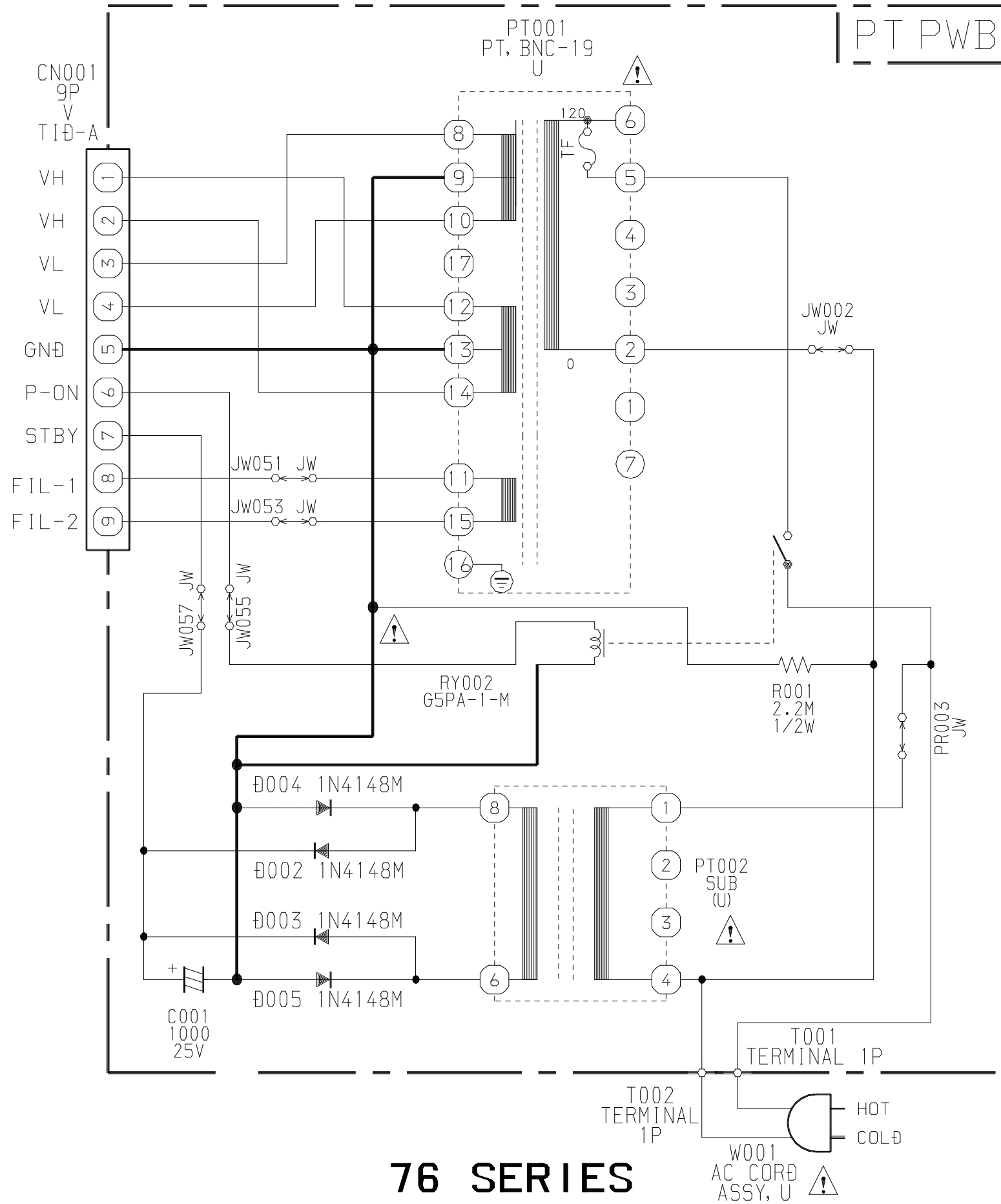
SCHEMATIC DIAGRAM - 7 (FRONT)



SCHEMATIC DIAGRAM (FRONT)
 8B NCK 620 01
 C0100095
 CX-NB550/55
 BNC-19 U
 01 FEB 2001

B-BNC-19FR-U

SCHEMATIC DIAGRAM-8 (PT/VM)



アイワ株式会社 〒110-8710 東京都台東区池之端1-2-11 ☎03(3827)3111 (代表)
AIWA CO.,LTD. 2-11, IKENOHATA 1-CHOME, TAITO-KU, TOKYO 110, JAPAN TEL:03 (3827) 3111