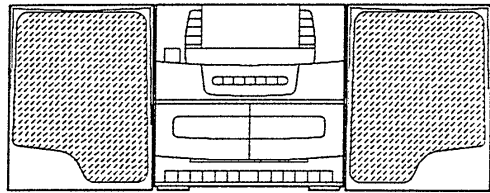


aiwa



NSX-E7M



CD CARRY COMPONENT SYSTEM

- BASIC TAPE MECHANISM: TN-21ZSW-1622
- BASIC CD MECHANISM: 4ZG-2BC70

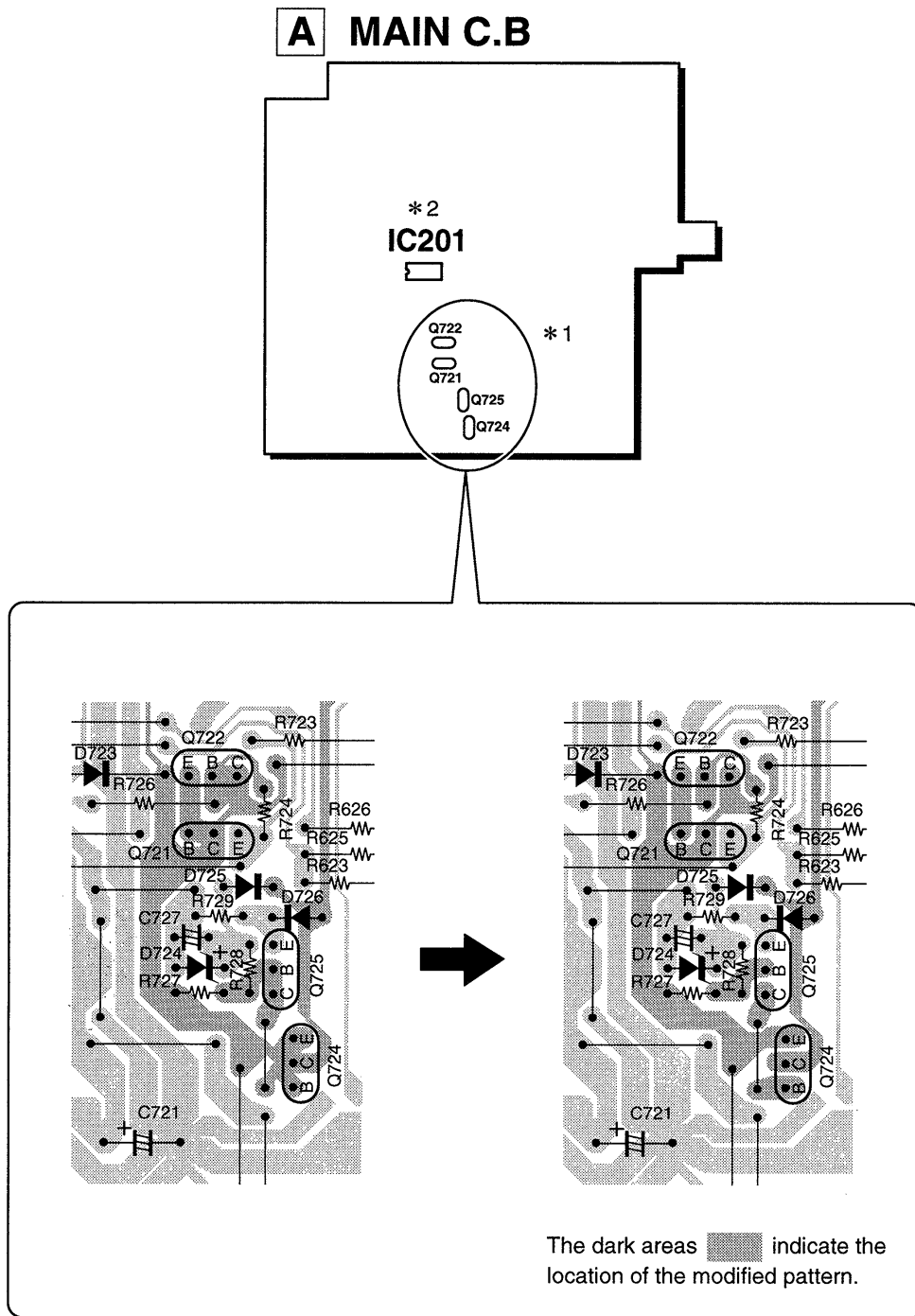
- TYPE: HE,HR,EE,K,EZ

CORRECTION

The Correction Service Manual is issued because of Main PCB pattern changes in Service Manual of Model name NSX-E7M/CA-DW700M/CA-DW710M(S/M Code No. 09-95A-116-7FE).

Contents of correction

- * 1 The printed patterns around the power supply circuit transistors (Q721, Q722, Q724 and Q725) are modified.
- * 2 IC201 shown, is not used in the HE and HR models.



サービス技術ニュース	
番号	連絡内容
G-	-
G-	-
G-	-

アイワ株式会社
AIWA CO.,LTD.

727105

Tokyo Japan