

SERVICE MANUAL

CASSETTE DISC
STEREO CASSETTE RECORDER

BASIC TAPE MECHANISM : ZM-3, 2ZM-3MK2, 6ZM-3
BASIC CD MECHANISM : AZG-1

SYSTEM	CD CASSEIVER	DECK MECHANISM	CD MECHANISM	SPEAKER	REMOTE CONTROLLER
NSX-HMA56	CX-HMA56	U: ZM-3 PR1NM	USFD: AZG-1 YKZD8RDF AZG-1 YKZA3RDF USC: AZG-1 ZA8RDC USM,LH,EZ,K: AZG-1 ZA3RDM	U: SX-WNAJ50 SX-C605 SX-R275	RC-ZAS15
NSX-DP55	CX-DP55	LH: 2ZM-3MK2 PR4NM EZ,K: 2ZM-3MK2 PR4NM 6ZM-3 PR2NM	LH,EZ,K: AZG-1 ZA3RDM	LH: SX-NSZ52 SX-CR677 EZ,K: SX-NDP54 SX-CR677	

- This Service Manual is the "Revision Publishing" and replaces "Simple Manual" NSX-HMA56(U), NSX-DP55(EZ), (S/M Code No. 09-002-429-3T1 and 09-003-429-3T2).
- If requiring information about CD mechanism, see Service Manual of AZG-1, ZA3RDM/ YKZA3RDF(S/M Code No. 09-001-335-3NC), YKZD8RDF(S/M Code No. 09-001-335-3N6) and ZA8RDC(S/M Code No. 09-001-335-3NA).
- This Service manual does not include "Electrical adjustment", "IC BLOCK DIAGRAM" and "IC DESCRIPTION". These items will be issued in the next supplement.

aiwa

S/M Code No. 09-007-429-3R1

REVISION

DATA

SPECIFICATIONS


Main unit		Total harmonic distortion	U: 0.1% (40 W,130Hz, 6 ohms,DIN AUDIO)
FM tuner section		K,EZ:	0.1% (40 W,1kHz, 6 ohms,DIN AUDIO/ Front)
Tuning range	87.5 MHz to 108 MHz	LH:	0.06% (35 W,1kHz,6 ohms,DIN AUDIO)
Usable sensitivity (IHF)	U,LH: 13.2 dBf K,EZ: 16.8 dBf	Inputs	VIDEO/AUX : 300mV (adjustable) MIC : 1.0mV (10 k ohms)
Antenna terminals	75 ohms (unbalanced)	Outputs	SPEAKERS HIGH FREQ: U only accept speakers of 8 ohms or more SPEAKERS LOW FREQ: U only accept speakers of 6 ohms or more SPEAKERS: LH,K,EZ only accept speakers of 6 ohms or more SURROUND SPEAKERS: accept speakers of 8 ohms to 16 ohms CENTER SPEAKER: accept speakers of 8 ohms or more PHONES (stereo jack): accept headphones of 32 ohms or more SUB WOOFER: K,EZ only 1.9V
AM Tuner section			
Tuning range	530 kHz to 1710 kHz (10 kHz step) 531 kHz to 1602 kHz (9 kHz step)		
Usable sensitivity	350 µV/m		
Antenna	Loop antenna		
LW Tuner section (K,EZ)			
Tuning range	144 kHz to 290 kHz		
Usable sensitivity	1400µV/m		
Antenna	Loop antenna		
Amplifier section			
Mid-high frequency amplifier <U only>		Cassette deck section	
Power output	25W + 25W (200Hz-20kHz, THD less than 1%, 8 ohms)	Track format	4 tracks, 2 channels stereo
Total harmonic distortion	0.1% (15 W,1kHz,8 ohms, DIN AUDIO)	Frequency response	50 Hz - 15000 Hz
Low frequency amplifier <U only>		Recording system	AC bias
Power output	75W + 75W (50Hz-200Hz, THD less than 1%, 6 ohms)	Heads	Deck 1:Playback head x 1 Deck 2:Recording/playback head x 1, erase head x 1
Power output	FRONT: LH: Rated: 65W + 65W (6 ohms, T.H.D.1%, 1 kHz) Reference: 80W + 80W (6 ohms, T.H.D.10%, 1 kHz) K,EZ: Rated: 80W + 80W (6 ohms, T.H.D.1%, 1 kHz/DIN 45500) Reference: 100W + 100W (6 ohms, T.H.D.10%, 1 kHz/DIN 45324) EZ only: DIN MUSIC POWER: 165W + 165W Rear (Surround) U: 25W + 25W (1kHz, THD less than 1%, 8 ohms) K,EZ: Rated: 20W + 20W (8 ohms, T.H.D. 1%, 1kHz/DIN 45500) Reference: 25W + 25W (8 ohms, T.H.D. 10%, 1kHz/DIN 45324) EZ only: DIN MUSIC POWER: 50W + 50W LH: Rated: 20W + 20W (8 ohms, T.H.D. 1%, 1kHz) Reference: 25W + 25W (8 ohms, T.H.D. 10%, 1kHz) Center U: 25W (1kHz, THD less than 1%, 8 ohms) LH: 20W (8 ohms, T.H.D.1%, 1kHz) Reference: 25W (8 ohms, T.H.D.10%, 1kHz) K,EZ: Rated: 20W (8 ohms, T.H.D.1%, 1kHz/DIN 45500) Reference: 25W (8 ohms, T.H.D.10%, 1kHz/DIN 45324) EZ only: DIN MUSIC POWER: 70W	Compact disc player section	
		Laser	Semiconductor laser (λ = 780 mm)
		D/A converter	1 bit dual
		Signal-to-noise ratio	85 dB (1 kHz, 0 dB)
		Harmonic distortion	0.05 % (1 kHz, 0 dB)
		General	
		Power requirements	U: 120 V AC, 60 Hz LH: 120 V/220 - 230 V/240V AC, switchable, 50/60 Hz K,EZ: 230 V AC, 50 Hz
		Power consumption	U: 175 W LH: 190 W K,EZ: 200 W
		Power consumption in standby mode	ECO OFF : 20 W ECO ON or ECO AUTO : 0.9 W
		Dimensions (W x H x D)	260 x 326 x 395 mm (10 ¹ / ₄ x 12 ⁷ / ₈ x 15 ⁵ / ₈ in.)
		Weight	U: 10.0kg (22 lb 1 oz.) LH,K,EZ: 10.5kg
		Speaker system SX-WNAJ50 <U>	
		Speaker system	3way, Built-in subwoofer (magnetic shielded type)
		Speaker unit	Subwoofer: 160 mm (6 ³ / ₈ in.) cone type Full range: 100 mm (4 in.) cone type Super tweeter: 20 mm (¹³ / ₈ in.) ceramic type
		Impedance	6 ohms/8 ohms
		Sensitivity	87 dB/W/m
		Dimensions (W x H x D)	240 x 324 x 271 mm (9 ¹ / ₂ x 12 ⁷ / ₈ x 10 ³ / ₄ in.)
		Weight	4.8kg (10 lb 9 oz.)

Speaker system SX-NSZ52 <LH>

Speaker system 3way, bass reflex
(magnetic shielded type)
Speaker unit Woofer: 140 mm cone type
Tweeter: 60 mm cone type
Super tweeter: 20 mm ceramic type
Impedance 6 ohms
Sensitivity 87 dB/W/m
Dimensions(W x H x D) 232 x 324 x 270 mm
Weight 4.0kg

Speaker system SX-NDP54 <K,EZ>

Speaker system 2way, bass reflex
(magnetic shielded type)
Speaker unit Woofer: 160 mm cone type
Tweeter: 60 mm cone type
Impedance 6 ohms
Sensitivity 87 dB/W/m
Dimensions(W x H x D) 240 x 324 x 245 mm
Weight 4.4kg

- Design and specifications are subject to change without notice.
- Manufactured under license from Dolby Laboratories Licensing Corporation.
"DOLBY", the double-D symbol  and "PRO LOGIC" are trademarks of Dolby Laboratories Licensing Corporation.
- The word "BBE" and the "BBE symbol" are trademarks of BBE Sound, Inc.
Under license from BBE Sound, Inc.

ACCESSORIES / PACKAGE LIST

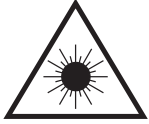
REF. NO.	PART NO.	KANRI NO.	DESCRIPTION
1	8A-NFV-903-110	IB, U (EFS) M<USM, USFD>	
1	8A-NFV-913-110	IB, U (EFS) B<USC>	
1	8A-NFV-902-010	IB, LH (ESP) M<LH>	
1	8A-NFV-905-010	IB, K (E) M<KSM>	
1	8A-NFV-915-010	IB, K (E) E<KSE>	
1	8A-NFV-906-010	IB, EZ (9L) E<EZSE>	
1	8A-NFV-916-010	IB, EZ (9L) M<EZSM>	
2	87-043-115-010	FEEDER-ANT, FM<U, LH>	
3	87-006-225-010	ANT, LOOP AM NC2	
3	87-006-268-010	ANT, LOOP AM<USFD>	
3	87-A90-030-010	ANT, LOOP AM-NC C<USC>	
4	87-A90-118-010	ANT, WIRE FM(Z) <K, EZ>	
△ 5	87-A91-017-010	PLUG, CONVERSION JT-0476<LH>	
6	8Z-NFV-704-010	RC UNIT, RC-ZAS15	

PROTECTION OF EYES FROM LASER BEAM DURING SERVICING

This set employs laser. Therefore, be sure to follow carefully the instructions below when servicing.

WARNING!!

WHEN SERVICING, DO NOT APPROACH THE LASER EXIT WITH THE EYE TOO CLOSELY. IN CASE IT IS NECESSARY TO CONFIRM LASER BEAM EMISSION. BE SURE TO OBSERVE FROM A DISTANCE OF MORE THAN 30cm FROM THE SURFACE OF THE OBJECTIVE LENS ON THE OPTICAL PICK-UP BLOCK.



- Caution: Invisible laser radiation when open and interlocks defeated avoid exposure to beam.
- Advarsel: Usynlig laserstråling ved åbning, når sikkerhedsafbrydere er ude af funktion. Undgå udsættelse for stråling.

VAROITUS!

Laiteen Käyttäminen muulla kuin tässä käyttöohjeessa mainitulla tavalla saattaa altistaa käyt-täjän turvallisuusluokan 1 ylittävälle näkymättömälle lasersäteilylle.

WARNING!

Om apparaten används på annat sätt än vad som specificeras i denna bruksanvisning, kan användaren utsättas för osynlig laserstrålning, som överskrider gränsen för laserklass 1.

Precaution to replace Optical block

Body or clothes electrostatic potential could ruin laser diode in the optical block. Be sure ground body and workbench, and use care the clothes do not touch the diode.

- 1) After the connection, remove solder shown in the right figure.

CAUTION

Use of controls or adjustments or performance of procedures other than those specified herein may result in hazardous radiation exposure.

ATTENTION

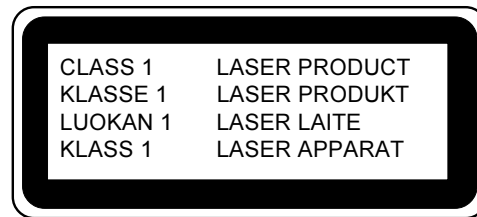
L'utilisation de commandes, réglages ou procédures autres que ceux spécifiés peut entraîner une dangereuse exposition aux radiations.

ADVARSEL

Usynlig laserstråling ved åbning, når sikkerhedsafbrydere er ude af funktion. Undgå udsættelse for stråling.

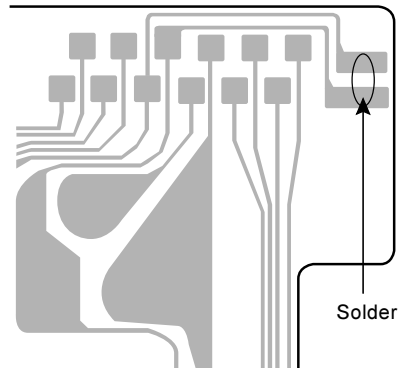
This Compact Disc player is classified as a CLASS 1 LASER product.

The CLASS 1 LASER PRODUCT label is located on the rear exterior.

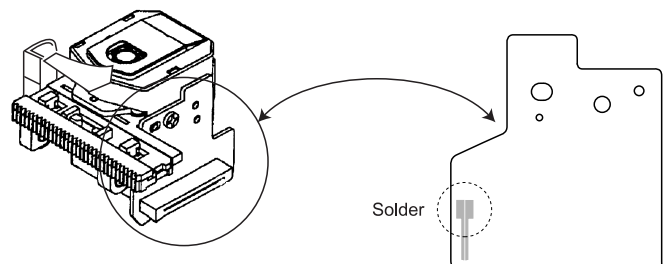


<KSS-213F>

PICKUP Assy P.C.B.



<KSM-880CAB>



NOTE ON BEFORE STARTING REPAIR

1. Forced discharge of electrolytic capacitor of power supply block

When repair is going to be attempted in the set that uses relay circuit in the power supply block, electric potential is kept charged across the electrolytic capacitors (C101, 102) even though AC power cord is removed. If repair is attempted in this condition, secondary defect can occur.

In order to prevent the secondary trouble, perform the following measures before starting repair work.

Discharge procedure

- ① Remove the AC power cord.
- ② Connect a discharging resistor at an end of lead wire that has clips at both ends. Connect the other end of the lead wire to metal chassis.
- ③ Contact the other end of the discharging resistor to the positive (+) side (+VH) of C101. (For two seconds)
- ④ Contact the same end of the discharging resistor as step ③ to the negative (-) side (-VH) of C102 in the same way. (For two seconds)
- ⑤ Check that voltage across C101 and C102 has decreased to 1 V or less using a multimeter or an oscilloscope.

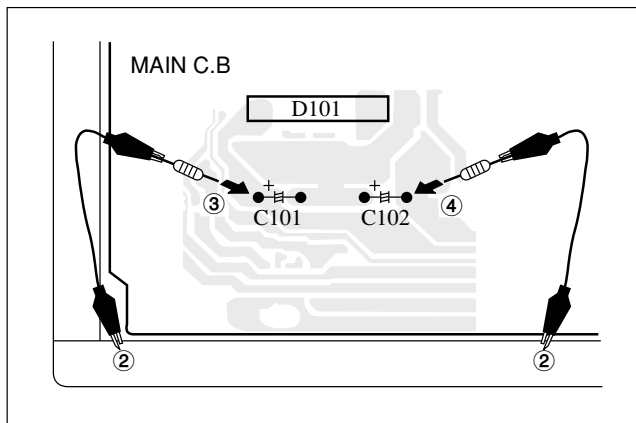


Fig-1

Select a discharging resistor referring to the following table.

Charging voltage (V) (C101, 102)	Discharging resistor (Ω)	Rated power (W)	Parts number
25-48	100	3	87-A00-247-090
49-140	220	5	87-A00-232-090

Note: The reference numbers (C101, C102) of the electrolytic capacitors can change depending on the models. Be sure to check the reference numbers of the charging capacitors on schematic diagram before starting the discharging work.

2. Check items before exchanging the MICROCOMPUTER

Be sure to check the following items before exchanging the MICROCOMPUTER. Exchange the MICROCOMPUTER after confirming that the MICROCOMPUTER is surely defective.

2-1. Regarding the HOLD terminal of the MICROCOMPUTER

When the HOLD terminal (INPUT) of the MICROCOMPUTER is “H”, the MICROCOMPUTER is judged to be operating correctly. When this terminal is “L”, the main power cannot be turned on. Therefore, be sure to check the terminal voltage of the HOLD terminal before exchange.

When the MICROCOMPUTER is not defective, the HOLD terminal can also go “L” when the POWER AMPLIFIER has any abnormalities that triggers the abnormality detection circuit on the MAIN C. B. that sets the HOLD terminal to “L”.

- Good or no good judgement of the MICROCOMPUTER

- ① Turn on the AC main power.
- ② Confirm that the main power is turned on and the HOLD terminal of the MICROCOMPUTER keeps the “H” level or not.
- ③ When the HOLD terminal is “L” level, the abnormality detection circuit is judged to be working correctly and the MICROCOMPUTER is judged to be good.

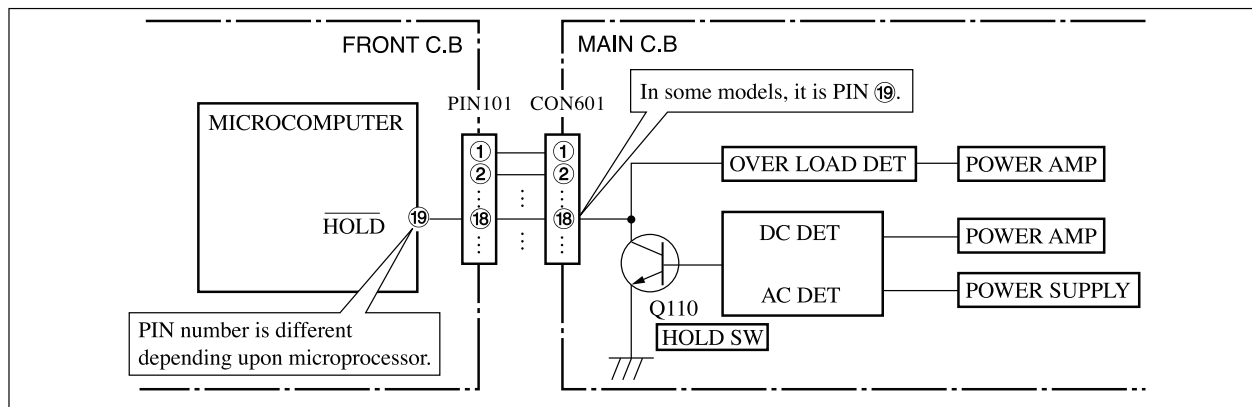


Fig-2-1

In such a case, check also if the POWER AMPLIFIER circuit or power supply circuit has any abnormalities or not.

2-2. Regarding reset

There are cases that the machine does not work correctly because the MICROCOMPUTER is not reset even though the AC power cord is re-inserted, or the software reset (pressing the STOP key + POWER key) is performed.

When the above described phenomenon occurs, it can lead to wrong judgement as if the MICROCOMPUTER is defective and to exchange the MICROCOMPUTER. In such a case, perform the forced-reset by the following procedure and check good or no good of the MICROCOMPUTER.

- ① Remove the AC power cord.

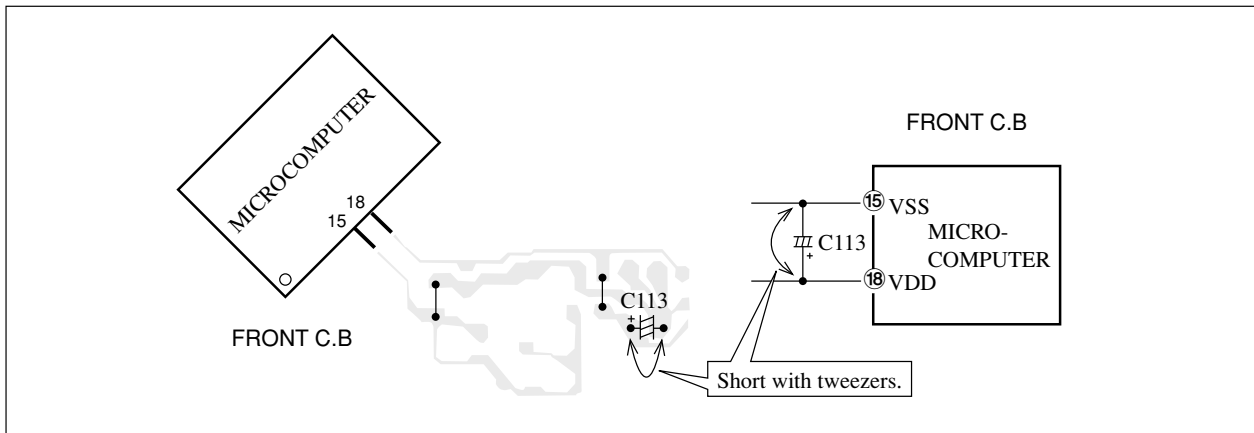


Fig-2-2

- ② Short both ends of the electrolytic capacitor C113 that is connected to VDD of the MICROCOMPUTER with tweezers.
- ③ Connect the AC power cord again. If the MICROCOMPUTER returns to the normal operation, the MICROCOMPUTER is good.

Note: The reference number or MICROCOMPUTER pin number of transistor (Q110) and electrolytic capacitor (C113) can change depending on the models. Be sure to check the reference numbers on schematic diagram before starting the discharging work.

2-3. Confirmation of soldering state of MICROCOMPUTER

Check the soldering state of the MICROCOMPUTER in addition to the above described procedures. Be sure to exchange the MICROCOMPUTER after surely confirming that the trouble is not caused by poor soldering but the MICROCOMPUTER itself.

ELECTRICAL MAIN PARTS LIST

REF. NO.	PART NO.	KANRI NO.	DESCRIPTION	REF. NO.	PART NO.	KANRI NO.	DESCRIPTION
IC				C4	87-012-368-080		C-CAP,S 0.1-50 F
	87-020-454-010	IC, DN6851<LH, EZ, K>		C21	87-016-658-000		CAP,E 4700-35 M SMG
	87-A21-398-010	IC, STK490-110<U>		C22	87-016-658-000		CAP,E 4700-35 M SMG
	87-A21-355-010	IC, STK490-140<LH, EZ, K>		C25	87-010-406-080		CAP, ELECT 22-50
	8A-NFV-621-010	C-IC, LC866560W-5R03<LH>		C26	87-010-406-080		CAP, ELECT 22-50
	8A-NFV-620-010	C-IC, LC866560W-5P32<EZ, K, U>		C27	87-010-406-080		CAP, ELECT 22-50
	87-A21-396-010	IC, STK490-040<U>		C28	87-010-406-080		CAP, ELECT 22-50
	87-A21-629-010	IC, SPS-442-1-N		C31	87-010-263-080		CAP, ELECT 100-10V
	87-A20-783-040	C-IC, BA7762AFS		C32	87-010-197-080		CAP, CHIP 0.01 DM
	87-A21-097-040	C-IC, M62463AFP		C33	87-010-263-080		CAP, ELECT 100-10V<U>
	87-A21-023-040	C-IC, BA3835F		C34	87-010-260-080		CAP, ELECT 47-25V
	87-A21-452-030	C-IC, BD3876KS2		C35	87-010-406-080		CAP, ELECT 22-50
	87-070-289-040	IC, BU 2092F		C36	87-010-381-080		CAP, ELECT 330-16V
	87-A21-415-010	IC, LA1843		C38	87-010-409-080		CAP,E 220-50 SME
	87-A20-440-040	C-IC, BU1920FS<EZ, K>		C39	87-010-409-080		CAP,E 220-50 SME
	87-070-127-110	IC, LC72131 D		C40	87-010-197-080		CAP, CHIP 0.01 DM
	87-A21-269-010	IC, EW732<U>		C60	87-010-403-080		CAP, ELECT 3.3-50V
TRANSISTOR				C80	87-010-401-080		CAP, ELECT 1-50V<LH, EZ, K>
	87-026-463-080	TR, 2SA933S		C81	87-010-383-080		CAP, ELECT 33-25V<LH, EZ, K>
	87-026-245-080	TR, DTC114ES		C82	87-010-260-080		CAP, ELECT 47-25V<LH, EZ, K>
	87-026-609-080	TR, KTA1266GR		C104	87-010-196-080		CHIP CAPACITOR, 0.1-25<U>
	87-A30-198-080	TR, KTC3199GR		C105	87-010-196-080		CHIP CAPACITOR, 0.1-25<U>
	89-213-702-010	TR, 2SB1370 (1.8W)		C111	87-010-545-080		CAP, ELECT 0.22-50V<U>
	87-026-610-080	TR, KTC3198GR		C112	87-010-545-080		CAP, ELECT 0.22-50V<U>
	87-A30-075-080	C-TR, 2SA1235F		C113	87-010-545-080		CAP, ELECT 0.22-50V<U>
	87-A30-318-080	TR, CSA952K		C114	87-010-545-080		CAP, ELECT 0.22-50V<U>
	87-A30-076-080	C-TR, 2SC3052F		C115	87-010-546-080		CAP, ELECT 0.33-50V<U>
	87-A30-107-070	C-TR, CMBT5401		C116	87-010-546-080		CAP, ELECT 0.33-50V<U>
	87-A30-269-040	C-FET, 2SJ461-T1<U>		C121	87-010-546-080		CAP, ELECT 0.33-50V<U>
	87-A30-106-040	C-TR, CMBT5551		C122	87-010-546-080		CAP, ELECT 0.33-50V<U>
	87-A30-087-080	C-FET, 2SK2158		C160	87-012-140-080		CAP 470P<LH, EZ, K>
	87-A30-074-080	C-TR, RT1P 141C		C161	87-010-176-080		C-CAP, S 680P-50 SL<EZ, K>
	87-A30-495-080	TR, 2SA1981Y<K, U>		C162	87-010-176-080		C-CAP, S 680P-50 SL<EZ, K>
	87-A30-329-080	TR, CD1585BC		C163	87-010-196-080		CHIP CAPACITOR, 0.1-25
	87-A30-073-080	C-TR, RT1N 141C		C171	87-012-368-080		C-CAP, S 0.1-50 F
	87-A30-105-080	C-TR, RT1P 441C		C172	87-012-368-080		C-CAP, S 0.1-50 F
	87-A30-086-040	C-TR, CSD1306E		C173	87-012-368-080		C-CAP, S 0.1-50 F
	87-A30-202-080	C-TR, RT1P441C		C174	87-012-368-080		C-CAP, S 0.1-50 F
	89-327-143-080	TR, 2SC2714 (0.1W)		C175	87-010-191-080		C-CAP, S 0.015-50 F<EZ, K>
	87-A30-072-080	C-TR, RT1P 144C		C176	87-010-191-080		C-CAP, S 0.015-50 F<EZ, K>
	87-A30-086-070	C-TR, CSD1306E<EZ, K>		C177	87-010-197-080		CAP, CHIP 0.01 DM<EZ, K>
	89-503-602-080	C-FET, 2SK360E<EZ, K>		C178	87-010-197-080		CAP, CHIP 0.01 DM<EZ, K>
	87-A30-234-080	TR, CSC4115BC		C301	87-010-318-080		C-CAP, S 47P-50 CH
DIODE				C302	87-010-318-080		C-CAP, S 47P-50 CH
	87-017-654-060	DIODE, GBU6J		C303	87-012-157-080		C-CAP, S 330P-50 CH
	87-A40-548-090	DIODE, D3SBA20<LH, EZ, K>		C304	87-012-157-080		C-CAP, S 330P-50 CH
	87-020-465-080	DIODE, 1SS133 (110MA)		C305	87-012-157-080		C-CAP, S 330P-50 CH
	87-A40-553-080	DIODE, 1N4003 LES		C306	87-012-157-080		C-CAP, S 330P-50 CH
	87-A40-776-080	ZENER, UZ27BSD		C307	87-010-196-080		CHIP CAPACITOR, 0.1-25
	87-A40-764-080	ZENER, UZ10BSC		C309	87-010-196-080		CHIP CAPACITOR, 0.1-25
	87-A40-547-090	DIODE, D5SBA20		C310	87-010-196-080		CHIP CAPACITOR, 0.1-25
	87-A40-313-080	C-DIODE, MC 2840		C311	87-010-198-080		CAP, CHIP 0.022
	87-A40-270-080	C-DIODE, MC2838		C312	87-010-198-080		CAP, CHIP 0.022
	87-A40-269-080	C-DIODE, MC2836		C313	87-010-180-080		C-CER 1500P<EZ, K, U>
	87-A40-768-080	ZENER, UZ16BSA		C313	87-010-178-080		CHIP CAP 1000P<LH>
	87-A40-752-080	ZENER, UZ6.2BSC		C314	87-010-180-080		C-CER 1500P<EZ, K, U>
	87-A40-760-080	ZENER, UZ9.1BSA		C314	87-010-178-080		CHIP CAP 1000P<LH>
	87-A40-747-080	ZENER, UZ5.1BSB		C315	87-010-182-080		C-CAP, S 2200P-50 B<EZ, K, U>
	87-A40-802-080	ZENER, UZ5.1BSC		C315	87-010-178-080		CHIP CAP 1000P<LH>
	87-A40-745-080	ZENER, UZ4.7BSA		C316	87-010-182-080		C-CAP, S 2200P-50 B<EZ, K, U>
	87-017-149-080	ZENER, HZS6A2L		C316	87-010-182-080		C-CAP, S 2200P-50 B<EZ, K, U>
MAIN C.B				C316	87-010-178-080		CHIP CAP 1000P<LH>
				C321	87-012-142-080		CAP, S 0.33-16
				C322	87-012-142-080		CAP, S 0.33-16
				C324	87-010-260-080		CAP, ELECT 47-25V
				C325	87-010-370-080		CAP,E 330-6.3 SME
				C327	87-010-404-080		CAP, ELECT 4.7-50V
				C328	87-010-404-080		CAP, ELECT 4.7-50V
				C332	87-010-196-080		CHIP CAPACITOR, 0.1-25
				C335	87-010-401-080		CAP, ELECT 1-50V
C3	87-012-368-080	C-CAP, S 0.1-50 F		C336	87-010-401-080		CAP, ELECT 1-50V

REF. NO.	PART NO.	KANRI NO.	DESCRIPTION	REF. NO.	PART NO.	KANRI NO.	DESCRIPTION
C337	87-010-196-080		CHIP CAPACITOR,0.1-25	C452	87-A10-802-080		C-CAP,S 0.047-16 J B CM
C339	87-010-196-080		CHIP CAPACITOR,0.1-25	C453	87-016-081-080		C-CAP,S 0.1-16 RK
C340	87-010-196-080		CHIP CAPACITOR,0.1-25	C454	87-016-081-080		C-CAP,S 0.1-16 RK
C351	87-012-140-080		CAP 470P	C455	87-A10-801-080		C-CAP,S 0.022-16 J B CM
C352	87-012-140-080		CAP 470P	C456	87-A10-801-080		C-CAP,S 0.022-16 J B CM
C354	87-010-175-080		CAP 560P	C457	87-016-081-080		C-CAP,S 0.1-16 RK
C355	87-010-178-080		CHIP CAP 1000P	C489	87-010-545-080		CAP, ELECT 0.22-50V
C356	87-010-260-080		CAP, ELECT 47-25V	C492	87-010-545-080		CAP, ELECT 0.22-50V
C357	87-010-197-080		CAP, CHIP 0.01 DM	C531	87-010-405-080		CAP, ELECT 10-50V
C358	87-010-183-080		C-CAP,S 2700P-50 B	C532	87-010-196-080		CHIP CAPACITOR,0.1-25
C359	87-010-183-080		C-CAP,S 2700P-50 B	C533	87-010-196-080		CHIP CAPACITOR,0.1-25
C360	87-010-183-080		C-CAP,S 2700P-50 B	C534	87-012-156-080		C-CAP,S 220P-50 CH
C370	87-010-196-080		CHIP CAPACITOR,0.1-25	C535	87-010-178-080		CHIP CAP 1000P
C373	87-A11-177-080		C-CAP,S 0.15-16 K B	C536	87-010-196-080		CHIP CAPACITOR,0.1-25
C374	87-A11-177-080		C-CAP,S 0.15-16 K B	C541	87-010-178-080		CHIP CAP 1000P
C378	87-010-196-080		CHIP CAPACITOR,0.1-25	C609	87-010-181-080		CAP,CHIP S 1800P
C379	87-010-382-080		CAP, ELECT 22-25V	C610	87-010-181-080		CAP,CHIP S 1800P
C380	87-010-382-080		CAP, ELECT 22-25V	C611	87-010-598-080		C-CAP,S 0.068-16VRK
C386	87-010-196-080		CHIP CAPACITOR,0.1-25	C612	87-010-369-080		C-CAP,S 0.033-25 K B
C388	87-012-156-080		C-CAP,S 220P-50 CH	C613	87-010-197-080		CAP, CHIP 0.01 DM
C391	87-010-319-080		C-CAP,S 56P-50 CH	C614	87-016-081-080		C-CAP,S 0.1-16 RK
C392	87-010-319-080		C-CAP,S 56P-50 CH	C616	87-010-184-080		CHIP CAPACITOR 3300P(K)
C393	87-010-319-080		C-CAP,S 56P-50 CH	C617	87-010-194-080		CAP, CHIP 0.047
C394	87-010-319-080		C-CAP,S 56P-50 CH	C618	87-010-401-080		CAP, ELECT 1-50V
C401	87-010-176-080		C-CAP,S 680P-50 SL	C619	87-010-263-080		CAP, ELECT 100-10V
C402	87-010-176-080		C-CAP,S 680P-50 SL	C620	87-016-081-080		C-CAP,S 0.1-16 RK
C403	87-010-958-080		CHIP -CAP,S 0.01-25BJ	C621	87-010-197-080		CAP, CHIP 0.01 DM
C404	87-010-958-080		CHIP -CAP,S 0.01-25BJ	C623	87-010-401-080		CAP, ELECT 1-50V
C405	87-010-958-080		CHIP -CAP,S 0.01-25BJ	C624	87-010-401-080		CAP, ELECT 1-50V
C406	87-010-958-080		CHIP -CAP,S 0.01-25BJ	C626	87-010-596-080		CAP, S 0.047-16
C407	87-010-401-080		CAP, ELECT 1-50V	C627	87-010-400-080		CAP, ELECT 0.47-50V
C408	87-010-401-080		CAP, ELECT 1-50V	C628	87-010-400-080		CAP, ELECT 0.47-50V
C409	87-010-196-080		CHIP CAPACITOR,0.1-25<LH,U>	C629	87-010-596-080		CAP, S 0.047-16
C409	87-010-197-080		CAP, CHIP 0.01 DM<EZ,K>	C630	87-010-263-080		CAP, ELECT 100-10V
C410	87-010-112-080		CAP, ELECT 100-16V	C631	87-010-185-080		C-CAP,S 3900P-50 B
C411	87-010-400-080		CAP, ELECT 0.47-50V	C632	87-010-185-080		C-CAP,S 3900P-50 B
C412	87-010-400-080		CAP, ELECT 0.47-50V	C634	87-010-196-080		CHIP CAPACITOR,0.1-25
C413	87-010-400-080		CAP, ELECT 0.47-50V	C635	87-A10-307-080		CAP,M 0.1-50 J
C414	87-010-401-080		CAP, ELECT 1-50V	C636	87-A10-307-080		CAP,M 0.1-50 J
C417	87-010-221-080		CAP, ELECT 470-10V	C637	87-A10-307-080		CAP,M 0.1-50 J
C418	87-A10-891-080		CAP,E 4.7-25 SME(K)	C638	87-A10-307-080		CAP,M 0.1-50 J
C419	87-A10-800-080		C-CAP,S 6800P-16 J B CM	C639	87-010-405-080		CAP, ELECT 10-50V
C420	87-010-374-080		CAP, ELECT 47-10V	C643	87-010-196-080		CHIP CAPACITOR,0.1-25
C421	87-010-196-080		CHIP CAPACITOR,0.1-25<LH,U>	C644	87-010-401-080		CAP, ELECT 1-50V
C421	87-010-197-080		CAP, CHIP 0.01 DM<EZ,K>	C671	87-010-322-080		C-CAP,S 100P-50 CH
C422	87-A10-804-080		C-CAP,S 0.1-25 J B	C672	87-010-322-080		C-CAP,S 100P-50 CH
C424	87-010-374-080		CAP, ELECT 47-10V	C673	87-010-197-080		CAP, CHIP 0.01 DM
C425	87-010-196-080		CHIP CAPACITOR,0.1-25	C679	87-010-196-080		CHIP CAPACITOR,0.1-25
C429	87-010-544-080		CAP, ELECT 0.1-50V	C680	87-010-190-080		S CHIP F 0.01
C430	87-A10-201-080		C-CAP,S0.33-16 KB	C682	87-010-196-080		CHIP CAPACITOR,0.1-25
C431	87-010-971-080		C-CAP,S 4700P-50 B J	C685	87-010-190-080		S CHIP F 0.01
C432	87-012-349-080		C-CAP,S 1000P-50 CH	C771	87-010-263-080		CAP, ELECT 100-10V
C433	87-A11-183-080		C-CAP,S 0.12-16 J B	C772	87-010-197-080		CAP, CHIP 0.01 DM
C434	87-A11-182-080		C-CAP,S 0.27-16 J B	C779	87-010-426-080		C-CAP,S 0.012-25 B<LH,U>
C435	87-A11-182-080		C-CAP,S 0.27-16 J B	C779	87-010-188-080		CAP,CHIP 6800P<EZ,K>
C437	87-010-971-080		C-CAP,S 4700P-50 B J	C780	87-010-426-080		C-CAP,S 0.012-25 B<LH,U>
C438	87-012-349-080		C-CAP,S 1000P-50 CH	C780	87-010-188-080		CAP,CHIP 6800P<EZ,K>
C439	87-010-805-080		CAP, S 1-16	C782	87-010-197-080		CAP, CHIP 0.01 DM
C440	87-010-401-080		CAP, ELECT 1-50V	C783	87-010-197-080		CAP, CHIP 0.01 DM
C441	87-A10-799-080		C-CAP,S 5600P-16 J B CM	C784	87-010-197-080		CAP, CHIP 0.01 DM
C442	87-A10-802-080		C-CAP,S 0.047-16 J B CM	C785	87-010-197-080		CAP, CHIP 0.01 DM
C443	87-A10-229-080		C-CAP,S 0.68-10 K W5	C786	87-010-197-080		CAP, CHIP 0.01 DM
C444	87-012-393-080		C-CAP,S 0.22-16 R K	C788	87-010-149-080		C-CAP,S 5P-50 CH
C445	87-012-393-080		C-CAP,S 0.22-16 R K	C789	87-A10-592-080		C-CAP,S 0.015-50 J B
C446	87-010-404-080		CAP, ELECT 4.7-50V	C790	87-A10-592-080		C-CAP,S 0.015-50 J B
C447	87-010-404-080		CAP, ELECT 4.7-50V	C791	87-010-196-080		CHIP CAPACITOR,0.1-25
C448	87-012-393-080		C-CAP,S 0.22-16 R K	C792	87-010-197-080		CAP, CHIP 0.01 DM
C449	87-012-393-080		C-CAP,S 0.22-16 R K	C793	87-010-404-080		CAP, ELECT 4.7-50V
C450	87-016-081-080		C-CAP,S 0.1-16 RK	C794	87-012-155-080		C-CAP 180P-50CH<EZ,K>
C451	87-A10-802-080		C-CAP,S 0.047-16 J B CM	C795	87-010-197-080		CAP, CHIP 0.01 DM

REF. NO.	PART NO.	KANRI NO.	DESCRIPTION	REF. NO.	PART NO.	KANRI NO.	DESCRIPTION
C796	87-010-197-080		CAP, CHIP 0.01 DM	C983	87-010-197-080		CAP, CHIP 0.01 DM
C797	87-010-405-080		CAP, ELECT 10-50V	C984	87-010-197-080		CAP, CHIP 0.01 DM
C798	87-010-197-080		CAP, CHIP 0.01 DM	C985	87-010-322-080		C-CAP,S 100P-50 CH<EZ,K>
C799	87-010-407-080		CAP, ELECT 33-50V	C987	87-010-197-080		CAP, CHIP 0.01 DM
C800	87-010-194-080		CAP, CHIP 0.047	C989	87-010-197-080		CAP, CHIP 0.01 DM<EZ,K>
C801	87-010-403-080		CAP, ELECT 3.3-50V	C991	87-010-312-080		C-CAP,S 15P-50 CH
C802	87-010-194-080		CAP, CHIP 0.047	C992	87-010-312-080		C-CAP,S 15P-50 CH
C803	87-010-198-080		CAP, CHIP 0.022	C993	87-010-178-080		CHIP CAP 1000P
C804	87-010-263-080		CAP, ELECT 100-10V	C995	87-010-178-080		CHIP CAP 1000P
C807	87-010-400-080		CAP, ELECT 0.47-50V	C997	87-010-196-080		CHIP CAPACITOR,0.1-25
C808	87-010-401-080		CAP, ELECT 1-50V	C998	87-010-260-080		CAP, ELECT 47-25V
C809	87-010-401-080		CAP, ELECT 1-50V	C999	87-A11-155-080		CAP,TC U 0.01-16 Z F
C810	87-010-196-080		CHIP CAPACITOR,0.1-25	CF831	87-008-423-010		CERAMIC FILTER, SFE10.7<EZ,K>
C811	87-010-403-080		CAP, ELECT 3.3-50V	CF831	87-008-261-010		FILTER, SFE10.7MA5-A<LH,U>
C812	87-010-403-080		CAP, ELECT 3.3-50V	CF832	82-785-747-010		CF MS2 GHY R<EZ,K>
C814	87-010-197-080		CAP, CHIP 0.01 DM	CF832	87-008-261-010		FILTER, SFE10.7MA5-A<LH,U>
C815	87-010-400-080		CAP, ELECT 0.47-50V	CN1	87-A60-996-010		CONN,13P V BLK TAC-L13X-A3
C816	87-010-400-080		CAP, ELECT 0.47-50V	CN91	87-A60-109-010		CONN,2P V S2M-2W<LH,EZ,K>
C818	87-010-180-080		C-CER 1500P<EZ,K>	CN101	87-A60-996-010		CONN,13P V BLK TAC-L13X-A3
C821	87-010-405-080		CAP, ELECT 10-50V	CN301	87-099-827-010		CONN,3P S2M-3W
C823	87-012-349-080		C-CAP,S 1000P-50 CH<EZ,K>	CN351	87-099-832-010		CONN,8P S2M-8W
C823	87-010-177-080		C-CAP,S 820P-50 SL<LH,U>	CN601	87-099-719-010		CONN,30P TYK-B(X)
C824	87-010-404-080		CAP, ELECT 4.7-50V<LH,K,U>	CN602	87-099-194-010		CONN,6P 6216V
C824	87-010-405-080		CAP, ELECT 10-50V<EZ>	CNA1	8A-NF8-653-010		CONN ASSY,9P TID-A(480)
C825	87-010-596-080		CAP, S 0.047-16	CNA2	8A-NF6-630-010		CONN ASSY,3P (VM) ANF-6<LH,EZ,K>
C831	87-010-406-080		CAP, ELECT 22-50<EZ,K>	FB162	87-008-474-080		F-BEAD,EMI BL02RN1<EZ,K>
C842	87-010-197-080		CAP, CHIP 0.01 DM	FB301	87-008-372-080		FILTER, EMI BL01 RN1<EZ,K>
C843	87-010-197-080		CAP, CHIP 0.01 DM	FFE831	A8-62A-191-130		62A-1 FEENM<EZ,K>
C844	87-010-197-080		CAP, CHIP 0.01 DM	FFC602	88-906-251-110		FF-CABLE,6P 1.25
C845	87-010-197-080		CAP, CHIP 0.01 DM	FFE831	A8-82A-190-030		82A-1 FEUNM<LH,U>
C846	87-010-197-080		CAP, CHIP 0.01 DM	J102	87-A60-238-010		TERMINAL,SP 4P (MSC)
C847	87-010-197-080		CAP, CHIP 0.01 DM	J103	87-A60-483-010		JACK,DIA6.3 BLK ST W/S KM
C848	87-010-197-080		CAP, CHIP 0.01 DM	J604	87-A60-881-010		JACK,PIN 2P MSP 242V05 PBSN
C849	87-010-197-080		CAP, CHIP 0.01 DM	J831	87-A60-202-010		TERMINAL,ANT 4P MSP-154V-02<LH,U>
C850	87-010-260-080		CAP, ELECT 47-25V	J832	87-A60-403-010		TERMINAL,ANT 2P HSP-312V05<EZ,K>
C851	87-010-197-080		CAP, CHIP 0.01 DM	JW416	87-008-372-080		FILTER, EMI BL01 RN1<EZ,K>
C852	87-010-197-080		CAP, CHIP 0.01 DM	L101	87-003-383-010		COIL,1UH-K
C853	87-010-197-080		CAP, CHIP 0.01 DM	L102	87-003-383-010		COIL,1UH-K
C858	87-010-196-080		CHIP CAPACITOR,0.1-25	L301	87-A50-049-010		COIL,TRAP 85K(COI)
C859	87-010-196-080		CHIP CAPACITOR,0.1-25	L302	87-A50-049-010		COIL,TRAP 85K(COI)
C860	87-010-197-080		CAP, CHIP 0.01 DM	L351	87-007-342-010		COIL,OSC 85K BIAS
C869	87-010-197-080		CAP, CHIP 0.01 DM<EZ,K>	L801	87-A50-540-010		COIL,FM DET-N(TOK)
C871	87-012-156-080		C-CAP,S 220P-50 CH<EZ,K>	L802	87-A91-551-010		FLTR,PCFJZH-450 L(TOK)
C872	87-012-156-080		C-CAP,S 220P-50 CH<EZ,K>	L811	87-005-847-080		COIL,2.2UH(CECS)
C873	87-012-140-080		CAP 470P<EZ,K>	L832	87-005-847-080		COIL,2.2UH(CECS)
C874	87-010-405-080		CAP, ELECT 10-50V<EZ,K>	L861	87-005-847-080		COIL,2.2UH(CECS)<EZ,K>
C875	87-010-196-080		CHIP CAPACITOR,0.1-25<EZ,K>	L941	87-A50-020-010		COIL,ANT LW(COI)<EZ,K>
C876	87-010-405-080		CAP, ELECT 10-50V<EZ,K>	L942	87-A50-019-010		COIL,OSC LW(COI)<EZ,K>
C877	87-010-197-080		CAP, CHIP 0.01 DM<EZ,K>	L951	8A-NF8-668-010		COIL,AM PACK 2(TOK)<EZ,K>
C878	87-010-316-080		C-CAP,S 33P-50 CH<EZ,K>	L951	8A-NF8-667-010		COIL,AM PACK 4(TOK)<LH,U>
C879	87-010-314-080		C-CAP,S 22P-50V<EZ,K>	SFR351	87-A90-433-080		SFR,50K H NVZ6TLTA
C940	87-010-197-080		CAP, CHIP 0.01 DM<EZ,K>	SFR352	87-A90-433-080		SFR,50K H NVZ6TLTA
C942	87-010-149-080		C-CAP,S 5P-50 CH<EZ,K>	TC942	87-011-253-080		TRIMER,30P LAR<EZ,K>
C947	87-010-197-080		CAP, CHIP 0.01 DM<EZ,K>	WH1	87-A90-510-010		HLD,R,WIRE 2.5-9P
C948	87-012-140-080		CAP 470P<EZ,K>	X861	87-A70-091-010		VIB,XTAL 4.332MHZ CSA-309<EZ,K>
C952	87-010-197-080		CAP, CHIP 0.01 DM<EZ,K>	X991	87-A70-061-010		VIB,XTAL 4.500MHZ CSA-309
C957	87-010-311-080		CAP 12P<EZ,K>	R161	87-A00-439-050		RES,180-1/2W J RP<EZ,K,U>
C958	87-010-197-080		CAP, CHIP 0.01 DM<EZ,K>	R161	87-A00-440-050		RES,220-1/2W J RP<LH>
C959	87-010-196-080		CHIP CAPACITOR,0.1-25	R162	87-A00-439-050		RES,180-1/2W J RP<EZ,K,U>
C960	87-010-196-080		CHIP CAPACITOR,0.1-25	R162	87-A00-440-050		RES,220-1/2W J RP<LH>
C961	87-010-152-080		C-CAP,S 8P-50 CH<LH,U>	R163	87-A00-439-050		RES,180-1/2W J RP<EZ,K,U>
C962	87-010-401-080		CAP, ELECT 1-50V<EZ,K>	R163	87-A00-440-050		RES,220-1/2W J RP<LH>
C963	87-015-785-080		CHIP CAPACITOR, 0.1FZ-25Z	R164	87-A00-439-050		RES,180-1/2W J RP<EZ,K,U>
C971	87-010-381-080		CAP, ELECT 330-16V	R164	87-A00-440-050		RES,220-1/2W J RP<LH>
C972	87-010-404-080		CAP, ELECT 4.7-50V	R407	87-022-214-080		C-RES S100K-1/10WF
C973	87-010-197-080		CAP, CHIP 0.01 DM	R790	87-010-197-080		CAP, CHIP 0.01 DM
C974	87-010-197-080		CAP, CHIP 0.01 DM	R991	87-010-322-080		C-CAP,S 100P-50 CH
C979	87-010-322-080		C-CAP,S 100P-50 CH	R992	87-010-322-080		C-CAP,S 100P-50 CH
C981	87-010-260-080		CAP, ELECT 47-25V	R993	87-010-322-080		C-CAP,S 100P-50 CH
C982	87-010-196-080		CHIP CAPACITOR,0.1-25				

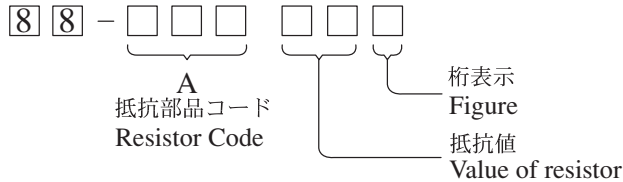
REF. NO.	PART NO.	KANRI NO.	DESCRIPTION	REF. NO.	PART NO.	KANRI NO.	DESCRIPTION
FRONT C.B				L331	87-A50-408-010		COIL, OSC 5.76MHZ
C201	87-010-322-080	C-CAP,S	100P-50 CH	LED311	87-A40-589-040		LED,SLR-56VCT31 RED
C202	87-010-322-080	C-CAP,S	100P-50 CH	LED601	87-A40-803-010		LED,SELUL1E10CXM-S LF38 BLUE
C203	87-010-322-080	C-CAP,S	100P-50 CH	LED602	87-A40-619-080		LED,SLR-56PT-TE7-W GRN
C204	87-010-322-080	C-CAP,S	100P-50 CH	LED603	87-A40-619-080		LED,SLR-56PT-TE7-W GRN
C205	87-010-322-080	C-CAP,S	100P-50 CH	LED604	87-A40-619-080		LED,SLR-56PT-TE7-W GRN<LH,EZ,K>
C206	87-010-322-080	C-CAP,S	100P-50 CH	LED605	87-A40-619-080		LED,SLR-56PT-TE7-W GRN<U>
C207	87-010-322-080	C-CAP,S	100P-50 CH	LED606	87-A40-619-080		LED,SLR-56PT-TE7-W GRN<EZ,K>
C208	87-010-322-080	C-CAP,S	100P-50 CH	LED607	87-A40-619-080		LED,SLR-56PT-TE7-W GRN
C209	87-010-322-080	C-CAP,S	100P-50 CH	LED608	87-A40-619-080		LED,SLR-56PT-TE7-W GRN
C210	87-010-322-080	C-CAP,S	100P-50 CH	LED609	87-A40-589-040		LED,SLR-56VCT31 RED
C211	87-010-322-080	C-CAP,S	100P-50 CH	S401	87-A91-024-180		SW,TACT KSHG611BT
C251	87-010-405-040	CAP,E	10-50	S402	87-A91-024-180		SW,TACT KSHG611BT
C253	87-010-196-080	CHIP CAPACITOR,0.1-25		S403	87-A91-024-180		SW,TACT KSHG611BT
C254	87-012-369-080	C-CAP,S	0.047-50F	S404	87-A91-024-180		SW,TACT KSHG611BT
C255	87-010-560-040	CAP,E	10-50 GAS	S405	87-A91-024-180		SW,TACT KSHG611BT
C256	87-010-405-040	CAP,E	10-50	S406	87-A91-024-180		SW,TACT KSHG611BT
C259	87-010-405-040	CAP,E	10-50	S407	87-A91-024-180		SW,TACT KSHG611BT
C264	87-018-209-080	CAP, CER	0.1-50V	S408	87-A91-024-180		SW,TACT KSHG611BT
C273	87-010-178-080	CHIP CAP	1000P	S409	87-A91-024-180		SW,TACT KSHG611BT
C274	87-010-178-080	CHIP CAP	1000P	S410	87-A91-024-180		SW,TACT KSHG611BT
C301	87-010-182-080	C-CAP,S	2200P-50 B	S411	87-A91-024-180		SW,TACT KSHG611BT
C302	87-010-196-080	CHIP CAPACITOR,0.1-25		S412	87-A91-024-180		SW,TACT KSHG611BT
C312	87-010-498-040	CAP,E	10-16 GAS	S413	87-A91-024-180		SW,TACT KSHG611BT
C314	87-010-196-080	CHIP CAPACITOR,0.1-25		S414	87-A91-024-180		SW,TACT KSHG611BT
C315	87-010-196-080	CHIP CAPACITOR,0.1-25		S415	87-A91-024-180		SW,TACT KSHG611BT
C316	87-010-196-080	CHIP CAPACITOR,0.1-25		S416	87-A91-024-180		SW,TACT KSHG611BT
C321	87-012-393-080	C-CAP,S	0.22-16 R K	S417	87-A91-024-180		SW,TACT KSHG611BT
C322	87-010-400-040	CAP,E	0.47-50	S418	87-A91-024-180		SW,TACT KSHG611BT
C325	87-A10-189-040	CAP,E	220-10	S419	87-A91-024-180		SW,TACT KSHG611BT
C326	87-A10-189-040	CAP,E	220-10	S420	87-A91-024-180		SW,TACT KSHG611BT<LH,EZ,K>
C332	87-010-178-080	CHIP CAP	1000P	S421	87-A91-024-180		SW,TACT KSHG611BT<EZ,K>
C334	87-010-312-080	C-CAP,S	15P-50 CH	S422	87-A91-024-180		SW,TACT KSHG611BT<EZ,K>
C335	87-012-140-080	CAP	470P	S425	87-A91-024-180		SW,TACT KSHG611BT
C336	87-012-155-080	C-CAP	180P-50CH	S426	87-A91-024-180		SW,TACT KSHG611BT
C339	87-012-156-080	C-CAP,S	220P-50 CH	S427	87-A91-024-180		SW,TACT KSHG611BT
C340	87-010-197-080	CAP, CHIP	0.01 DM	S428	87-A91-024-180		SW,TACT KSHG611BT
C341	87-010-194-080	CAP, CHIP	0.047	S429	87-A91-024-180		SW,TACT KSHG611BT
C351	87-010-382-040	CAP,E	22-25 SME	S430	87-A91-024-180		SW,TACT KSHG611BT
C401	87-010-197-080	CAP, CHIP	0.01 DM	S431	87-A91-024-180		SW,TACT KSHG611BT
C451	87-010-196-080	CHIP CAPACITOR,0.1-25		S432	87-A91-024-180		SW,TACT KSHG611BT
C452	87-010-196-080	CHIP CAPACITOR,0.1-25		S433	87-A91-024-180		SW,TACT KSHG611BT
C453	87-010-196-080	CHIP CAPACITOR,0.1-25		S434	87-A91-024-180		SW,TACT KSHG611BT
C454	87-010-198-080	CAP, CHIP	0.022	S435	87-A91-024-180		SW,TACT KSHG611BT
C455	87-010-198-080	CAP, CHIP	0.022	SW252	87-A91-555-010		SW,RTRY EC12E24504
C502	87-010-186-080	CAP,CHIP	4700P	SW253	87-A91-542-010		SW,RTRY EC12E12504
C503	87-010-112-040	CAP,E	100-16	AMP 1F C.B			
C504	87-010-405-040	CAP,E	10-50	C101	87-010-184-080		CHIP CAPACITOR 3300P (K)<LH,EZ,K>
C505	87-010-545-040	CAP,E	0.22-50 SME	C101	87-010-181-080		CAP,CHIP S 1800P<U>
C506	87-010-320-080	CHIP CAP	68P	C102	87-010-184-080		CHIP CAPACITOR 3300P (K)<LH,EZ,K>
C513	87-010-196-080	CHIP CAPACITOR,0.1-25		C102	87-010-181-080		CAP,CHIP S 1800P<U>
C514	87-010-196-080	CHIP CAPACITOR,0.1-25		C103	87-010-545-080		CAP, ELECT 0.22-50V
C515	87-010-178-080	CHIP CAP	1000P	C104	87-010-545-080		CAP, ELECT 0.22-50V
C602	87-010-322-080	C-CAP,S	100P-50 CH	C105	87-010-186-080		CAP,CHIP 4700P<LH,EZ,K>
C603	87-010-322-080	C-CAP,S	100P-50 CH	C106	87-010-186-080		CAP,CHIP 4700P<LH,EZ,K>
C604	87-010-322-080	C-CAP,S	100P-50 CH	C107	87-010-404-080		CAP, ELECT 4.7-50V<LH,EZ,K>
C650	87-010-196-080	CHIP CAPACITOR,0.1-25		C107	87-010-405-080		CAP, ELECT 10-50V<U>
C699	87-010-196-080	CHIP CAPACITOR,0.1-25		C108	87-010-404-080		CAP, ELECT 4.7-50V<LH,EZ,K>
CN101	87-099-720-010	CONN,30P	TYK-B(P)	C108	87-010-405-080		CAP, ELECT 10-50V<U>
CN102	87-099-015-010	CONN,13P	6216V	C111	87-010-179-080		CAP,CHIP S B1200P
CN301	87-A60-140-010	CONN,15P	V FE<LH>	C112	87-010-179-080		CAP,CHIP S B1200P
CN302	87-A60-136-010	CONN,11P	V FE<EZ,K,U>	C113	87-010-405-080		CAP, ELECT 10-50V
FB301	87-008-372-080	FILTER, EMI	BL01 RN1	C114	87-010-405-080		CAP, ELECT 10-50V
FB501	87-008-372-080	FILTER, EMI	BL01 RN1	C115	87-010-866-080		CAP, ELECT 10-63<LH,EZ,K>
FFC104	88-911-101-110	FF-CABLE,11P	1.25<U,EZ,K>	C115	87-A12-180-080		CAP,E 10-63 M 105 KME<U>
FFC104	88-915-101-110	FF-CABLE,15P	1.25<LH>	C116	87-010-866-080		CAP, ELECT 10-63<LH,EZ,K>
FFC731	88-913-301-110	FF-CABLE,13P	1.25	C116	87-A12-180-080		CAP,E 10-63 M 105 KME<U>
FL401	8A-NF8-601-010	FL,HNA-11MM30	(ANF-8)				
J501	87-A61-242-010	JACK,6.3	BLK MONO W/SW V KM				

REF. NO.	PART NO.	KANRI NO.	DESCRIPTION	REF. NO.	PART NO.	KANRI NO.	DESCRIPTION
SFR1	87-024-581-010		SFR, 3.3K DIA 6H	SW6	87-036-110-010		SW, MICRO SPPB62<LH>
SOL1	82-ZM1-618-410		SOL ASSY, 27	SW8	87-A90-248-010		SW, MICRO ESE11SH2CXQ<LH>
SOL2	82-ZM1-618-410		SOL ASSY, 27	SW9	87-A90-248-010		SW, MICRO ESE11SH2CXQ<LH>
SW1	87-A90-248-010		SW, MICRO ESE11SH2CXQ<LH, EZ, K>	W1	82-ZM3-601-010		RBN, CORD, 4P-75<LH, EZ, K>
SW1	87-A90-673-010		SW, MICRO ESE11SH1C<U>				HEAD-1 C.B<LH, EZ, K>
SW2	87-A90-248-010		SW, MICRO ESE11SH2CXQ<LH, EZ, K>				85-ZM3-602-010 PWB, FLEX A
SW2	87-A91-500-010		SW, MICRO MPU11470MLB0<U>	CON301	87-NF6-615-010		CONN ASSY, 3P-PB
SW3	87-A90-248-010		SW, MICRO ESE11SH2CXQ<LH, EZ, K>				HEAD-2 C.B<LH>
SW3	87-A91-500-010		SW, MICRO MPU11470MLB0<U>				85-ZM3-602-010 PWB, FLEX A
SW4	87-A90-248-010		SW, MICRO ESE11SH2CXQ<EZ, K>	CON351	87-NF6-616-010		CONN ASSY, 8P-RPB
SW4	87-036-110-010		SW, MICRO SPPB62<LH>				VM C.B<LH, EZ, K>
SW4	87-A91-500-010		SW, MICRO MPU11470MLB0<U>				
SW5	87-A90-248-010		SW, MICRO ESE11SH2CXQ<EZ, K>				
SW5	87-036-110-010		SW, MICRO SPPB62<LH>				
SW5	87-A90-673-010		SW, MICRO ESE11SH1C<U>				

○チップ抵抗部品コード／CHIP RESISTOR PART CODE

チップ抵抗部品コードの成り立ち

Chip Resistor Part Coding



チップ抵抗
Chip resistor

容量 Wattage	種類 Type	許容誤差 Tolerance	記号 Symbol	寸法/Dimensions (mm)			抵抗コード : A Resistor Code : A	
				外形/Form	L	W		t
1/16W	1005	± 5%	CJ		1.0	0.5	0.35	104
1/16W	1608	± 5%	CJ		1.6	0.8	0.45	108
1/10W	2125	± 5%	CJ		2	1.25	0.45	118
1/8W	3216	± 5%	CJ		3.2	1.6	0.55	128

TRANSISTOR ILLUSTRATION



E C B

2SA1981
CD1585
CSA952
CSC4115
KTA1266
KTC3198



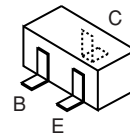
E C B

2SA933S
DTC114ES
KTC3199



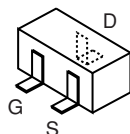
B C E

2SB1370



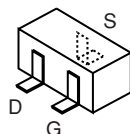
B C E

2SA1235
2SC2714
2SC3052
CMBT5401
CMBT5551
CSD1306
RT1N141C
RT1P141C
RT1P144C
RT1P441C



G S D

2SJ461
2SK2158



D G S

2SK360

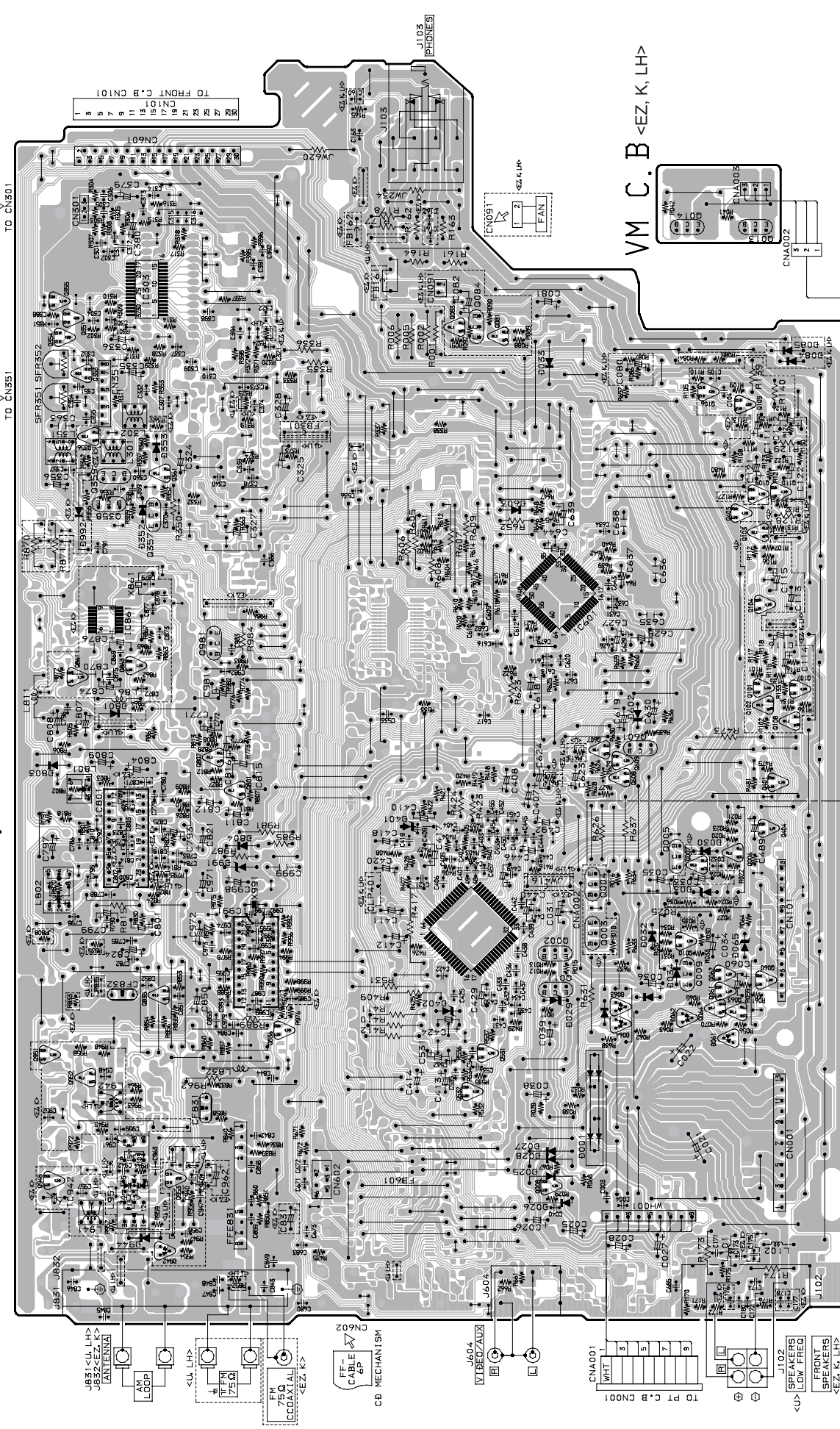
32 31 30 29 28 27 26 25 24 23 22 21 20 19 18 17 16 15 14 13 12 11 10 9 8 7 6 5 4 3 2 1

A B C D E F G H I J K L M N O P Q R S T U

MAIN C.B

FROM BECK-2 RPH, EH
CON501 <U>
FROM HEAD-2 C.B
CON501 <LH>

FROM BECK-1 PH
CON501 <U>
FROM HEAD-1 C.B
CON501 <LH>



TO FRONT C.B CN101

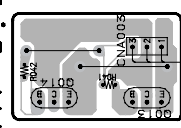
TO CN851

TO CN851

TO CN851

TO CN851

VM C.B <EZ, K, LH>



CNA002 <EZ, K, LH>

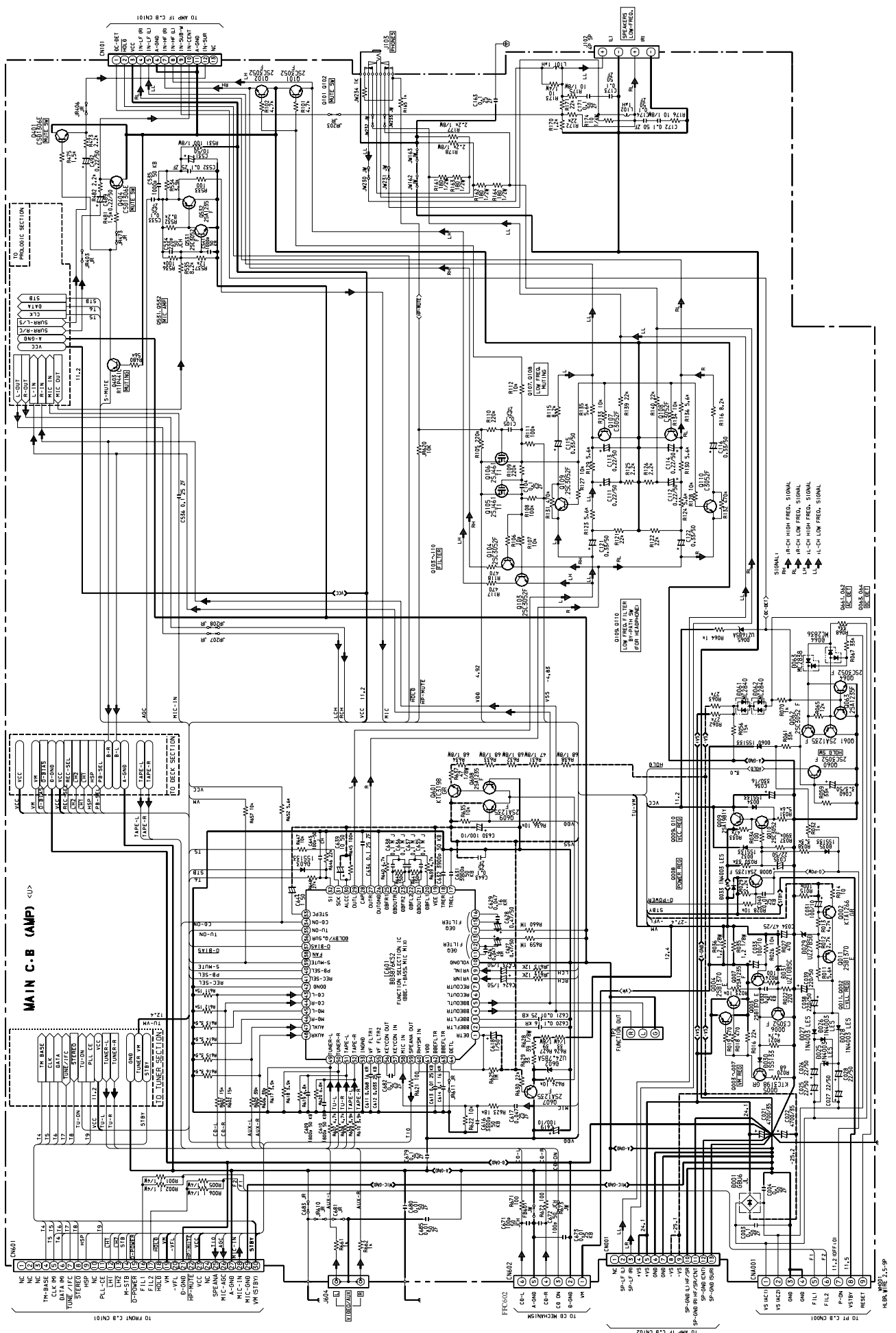
CNA001 <EZ, K, LH>

CNA003 <EZ, K, LH>

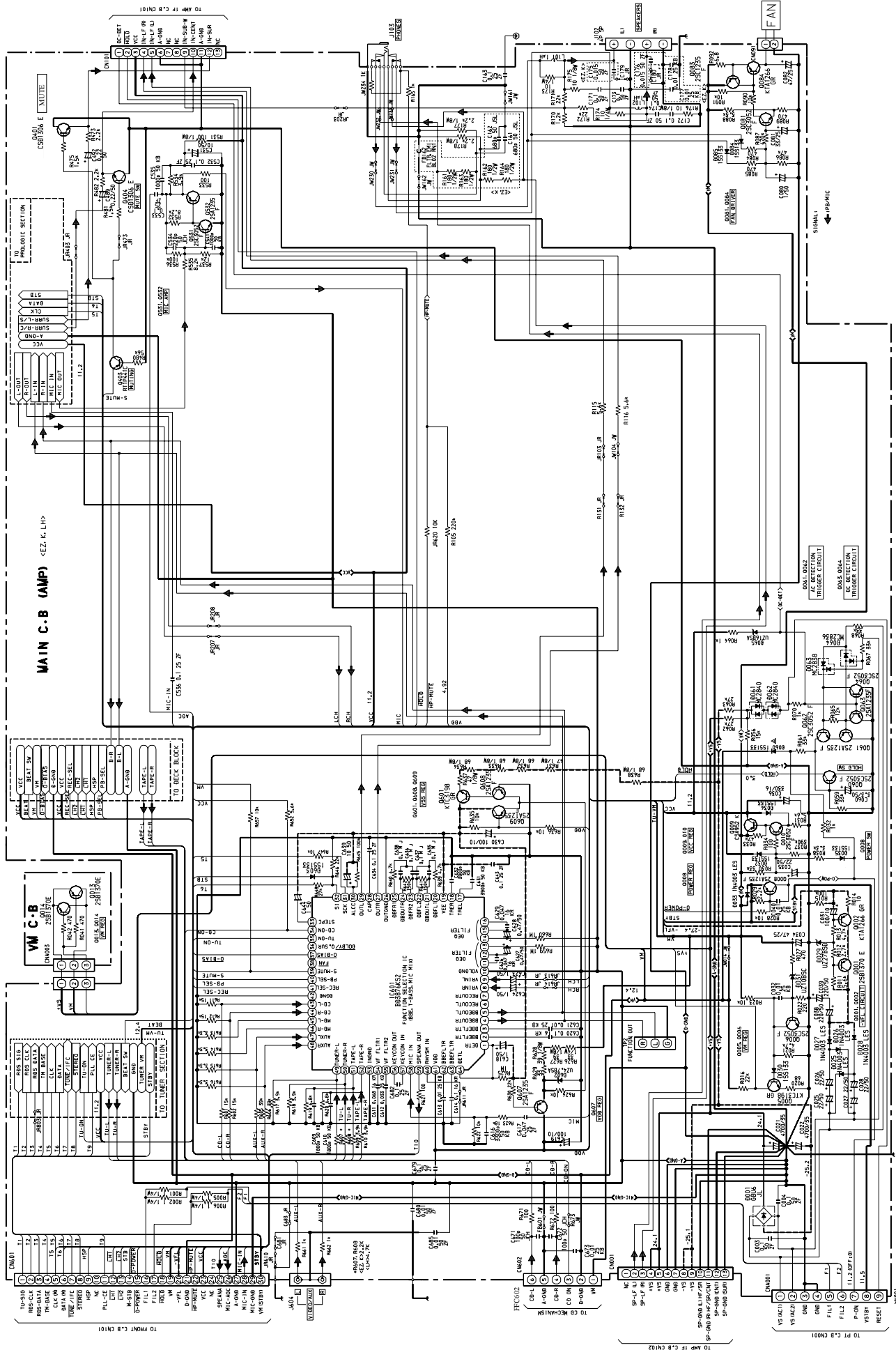
CNA002 <EZ, K, LH>

CNA001 <EZ, K, LH>

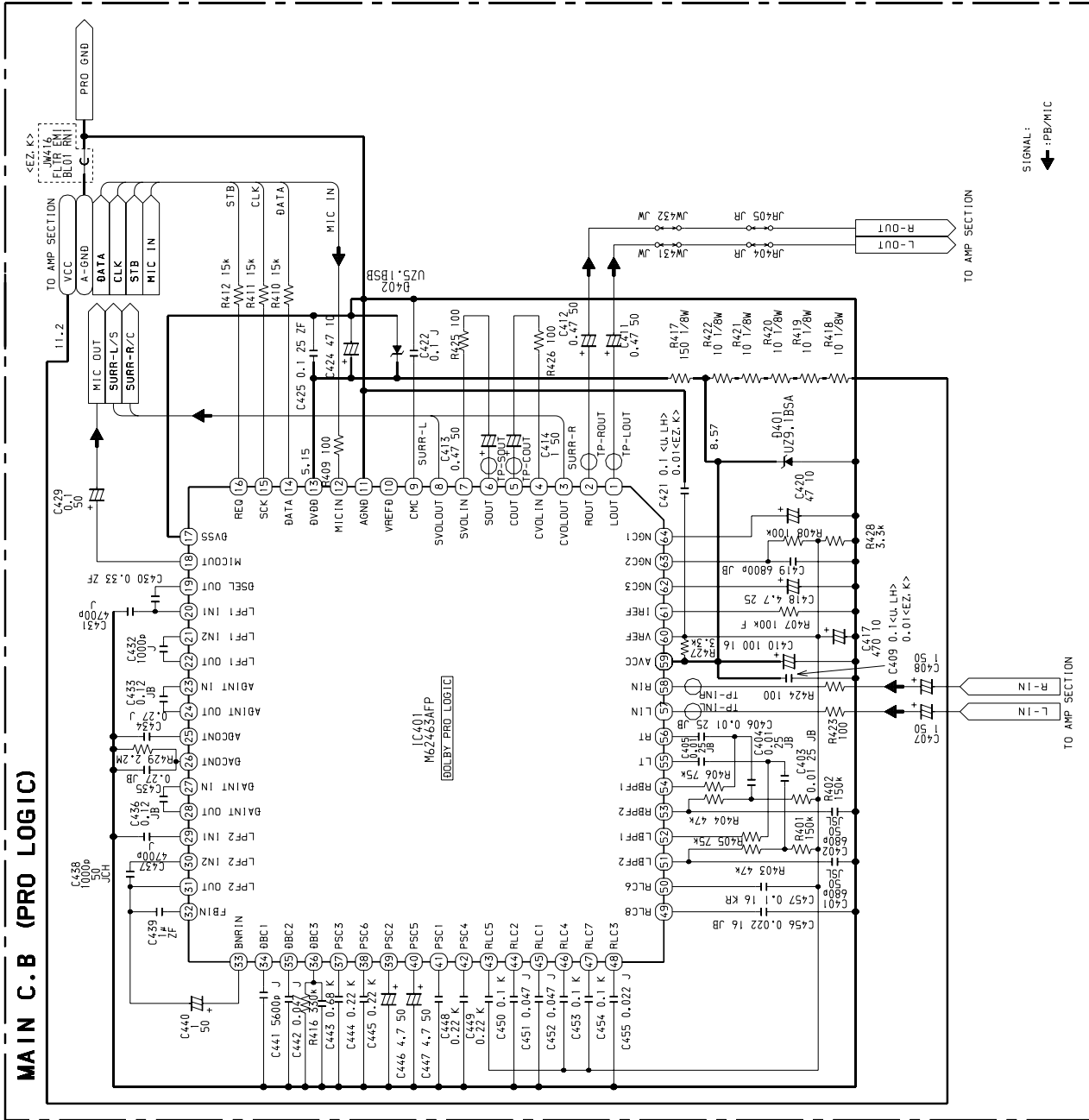
SCHEMATIC DIAGRAM - 1 (MAIN : 1/6 <AMP SECTION> U)



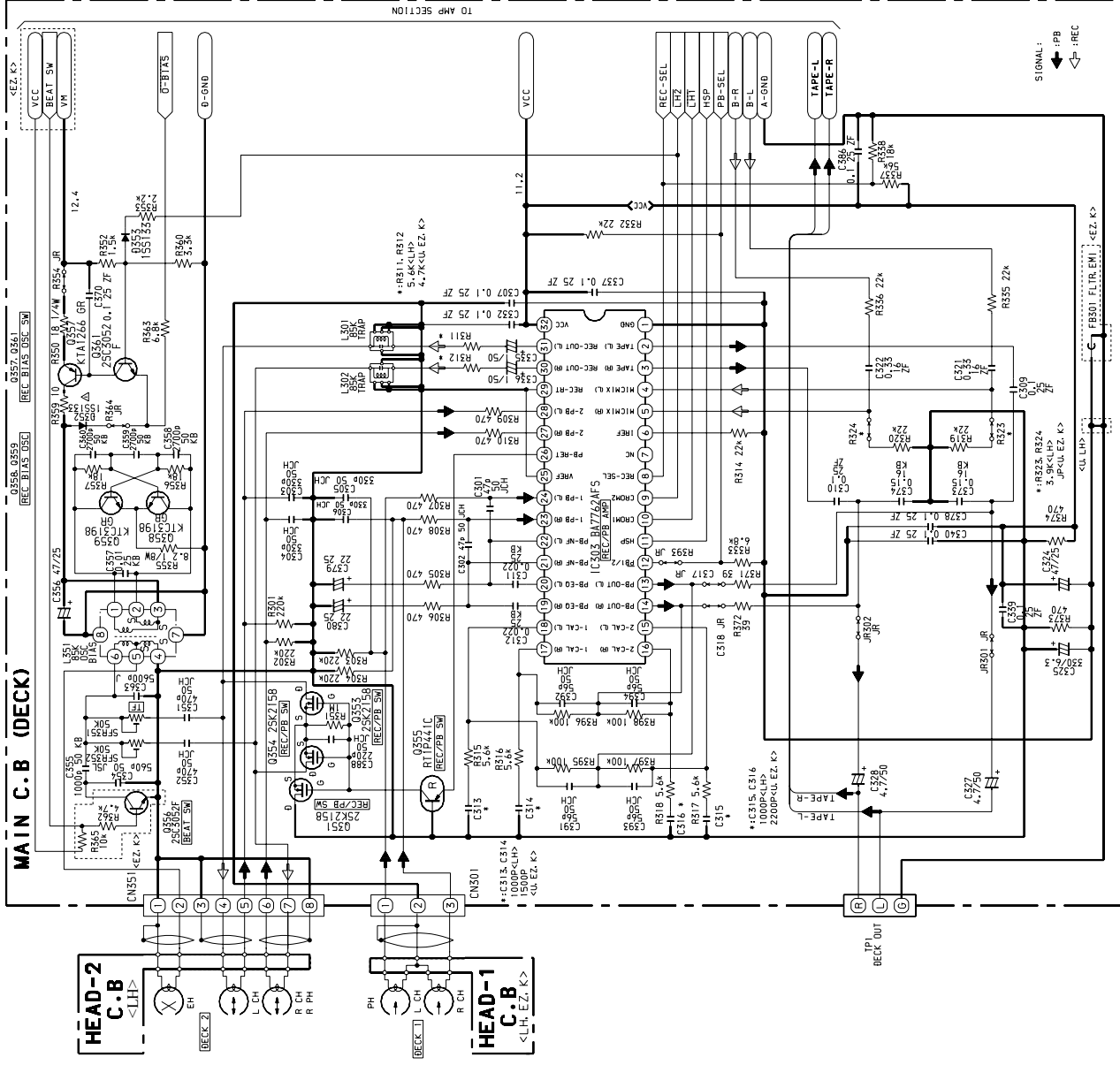
SCHEMATIC DIAGRAM - 2 (MAIN : 1/6 <AMP SECTION> EZ, K, LH)



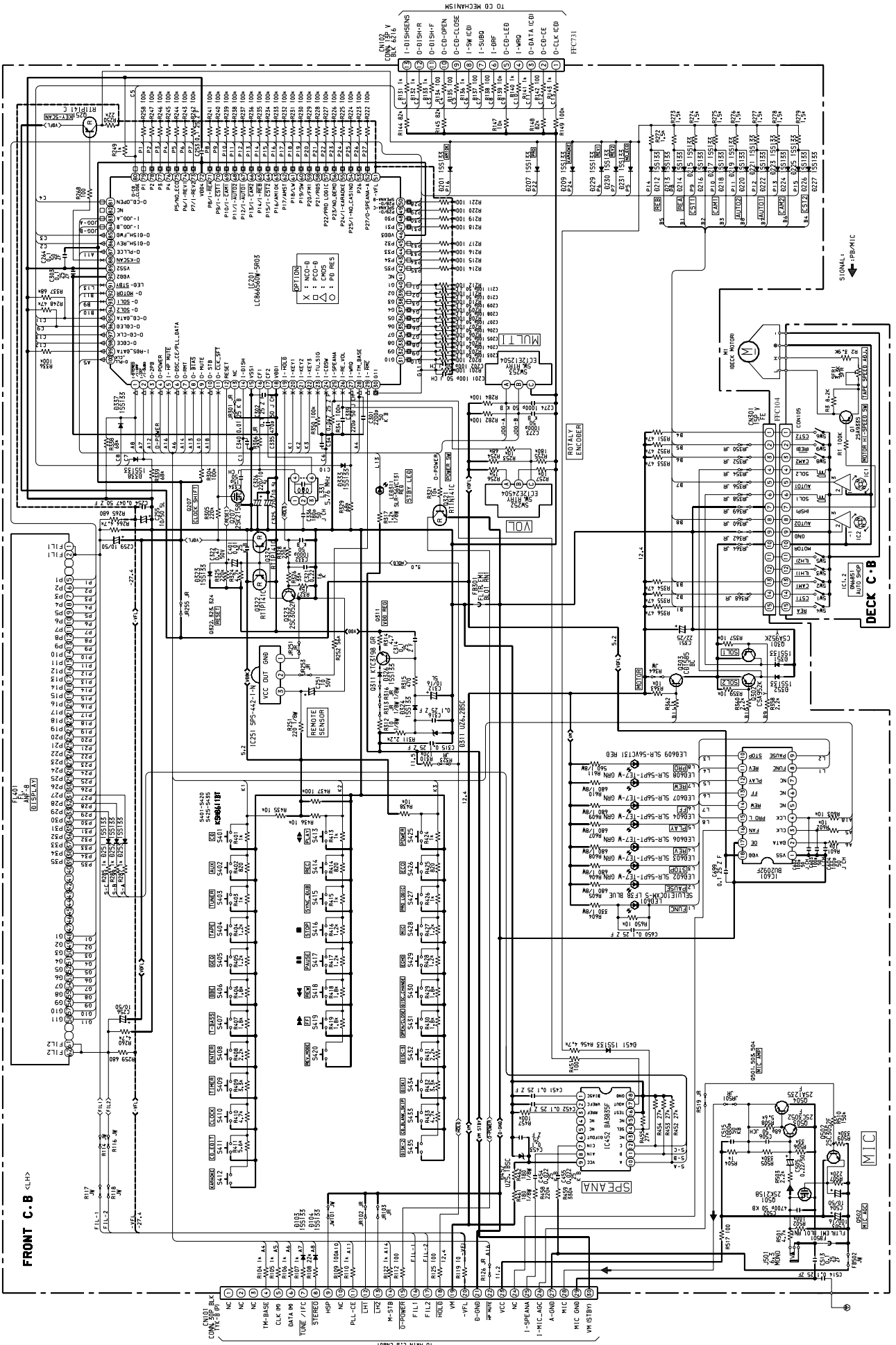
SCHEMATIC DIAGRAM - 3 (MAIN : 3 / 6 <PRO LOGIC SECTION>)



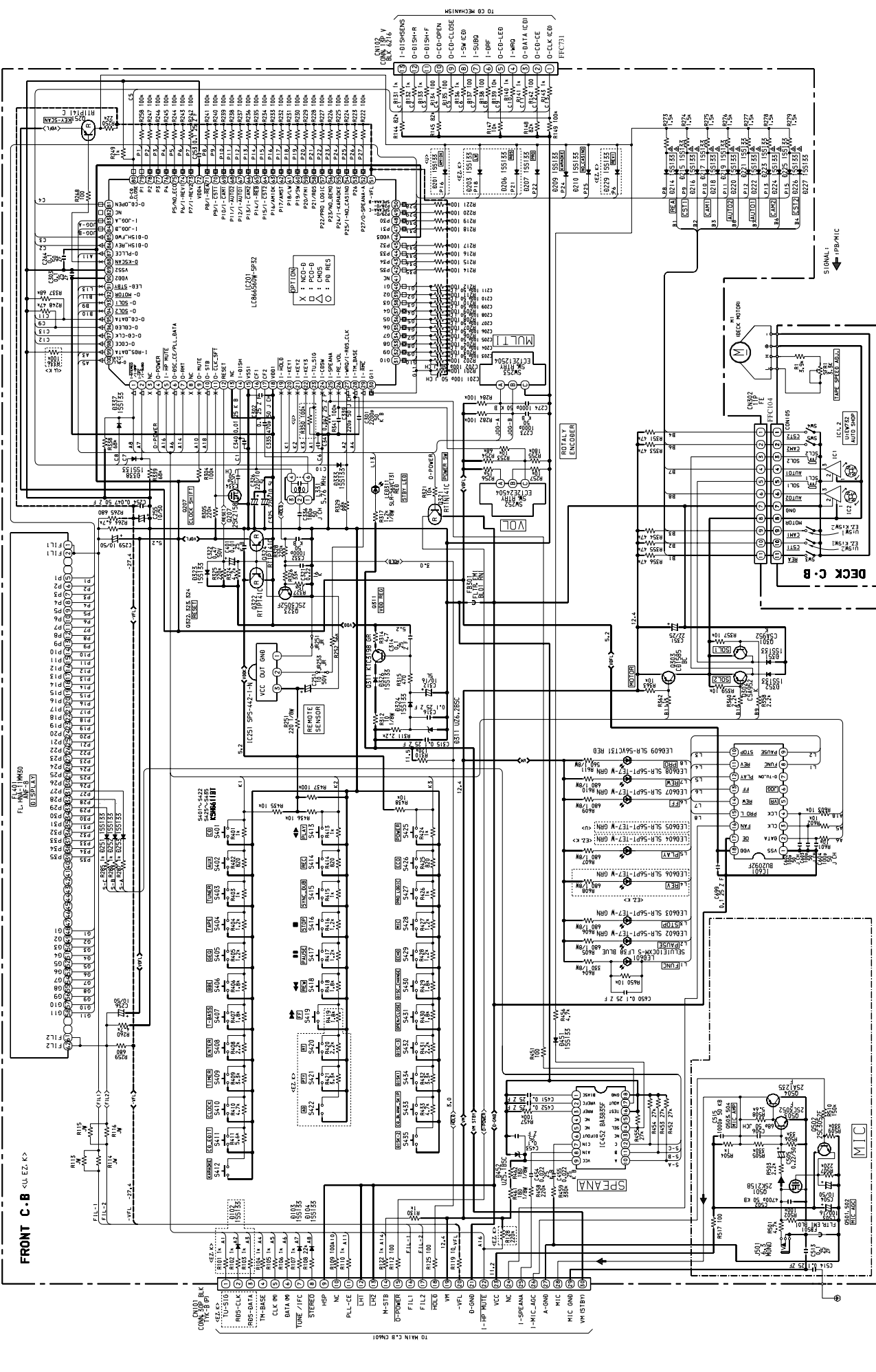
SCHEMATIC DIAGRAM - 4 (MAIN : 4 / 6 <DECK SECTION>)



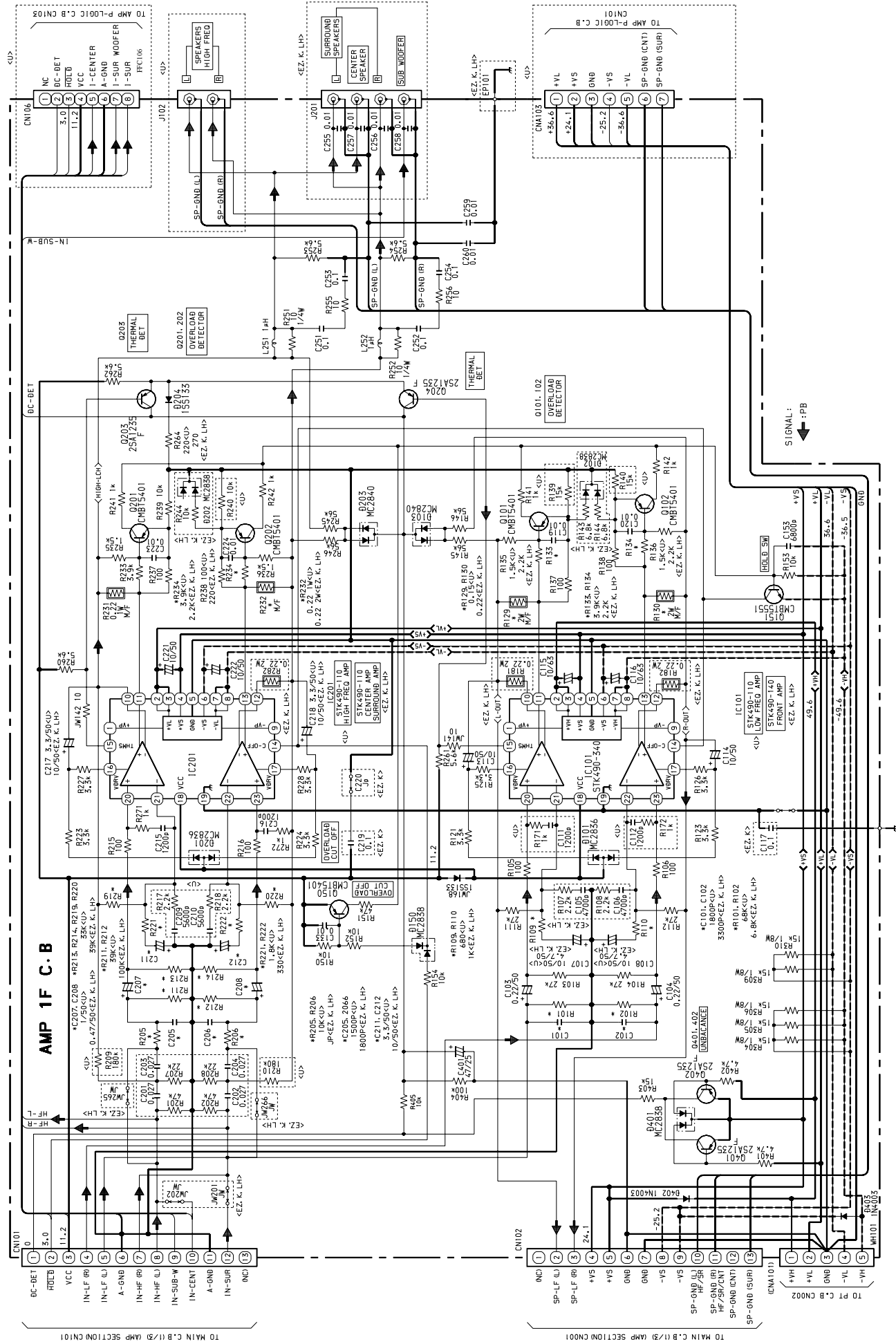
SCHEMATIC DIAGRAM - 7 (FRONT : LH)



SCHEMATIC DIAGRAM - 8 (FRONT : U, EZ, K)

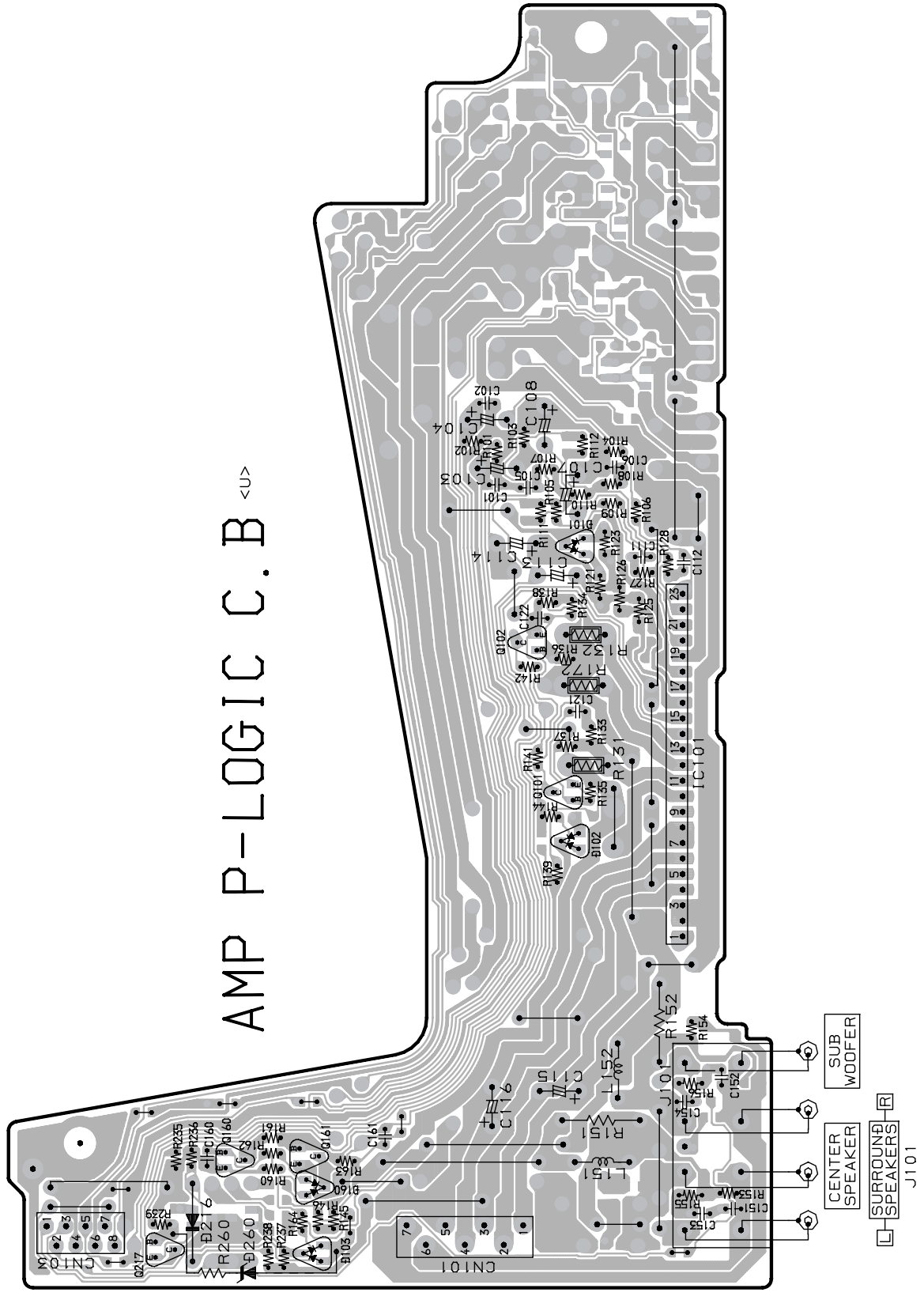


SCHEMATIC DIAGRAM - 9 (AMP 1F)



1	2	3	4	5	6	7	8	9	10	11	12	13	14	15	16	17	18	19	20	21	22	23	24	25	26	27	28	29	30	31	32
---	---	---	---	---	---	---	---	---	----	----	----	----	----	----	----	----	----	----	----	----	----	----	----	----	----	----	----	----	----	----	----

A	B	C	D	E	F	G	H	I	J	K	L	M	N	O	P	Q	R	S	T	U
---	---	---	---	---	---	---	---	---	---	---	---	---	---	---	---	---	---	---	---	---

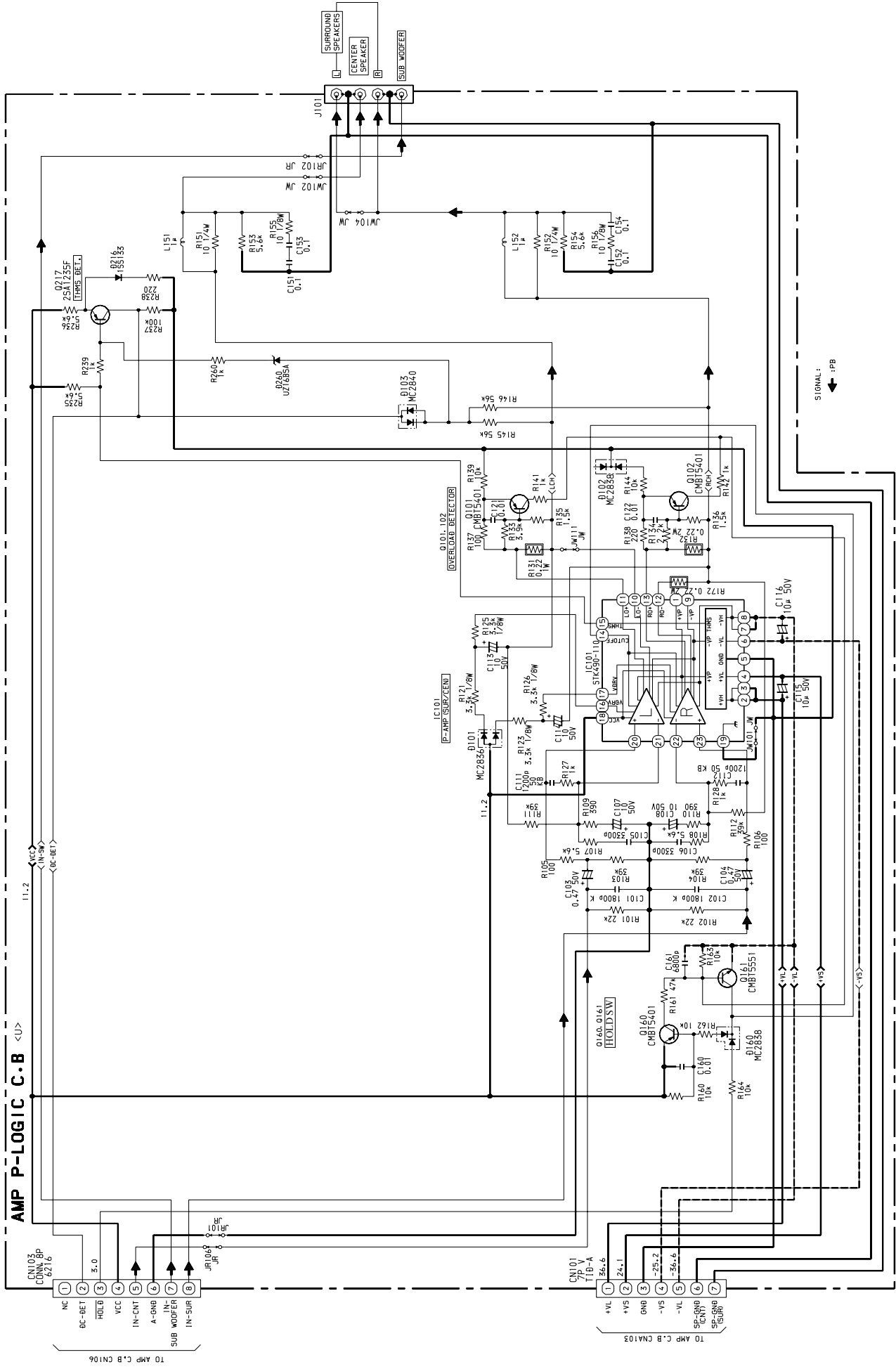


TO AMP 1F C.B.
CN105
FF-CABLE
8P

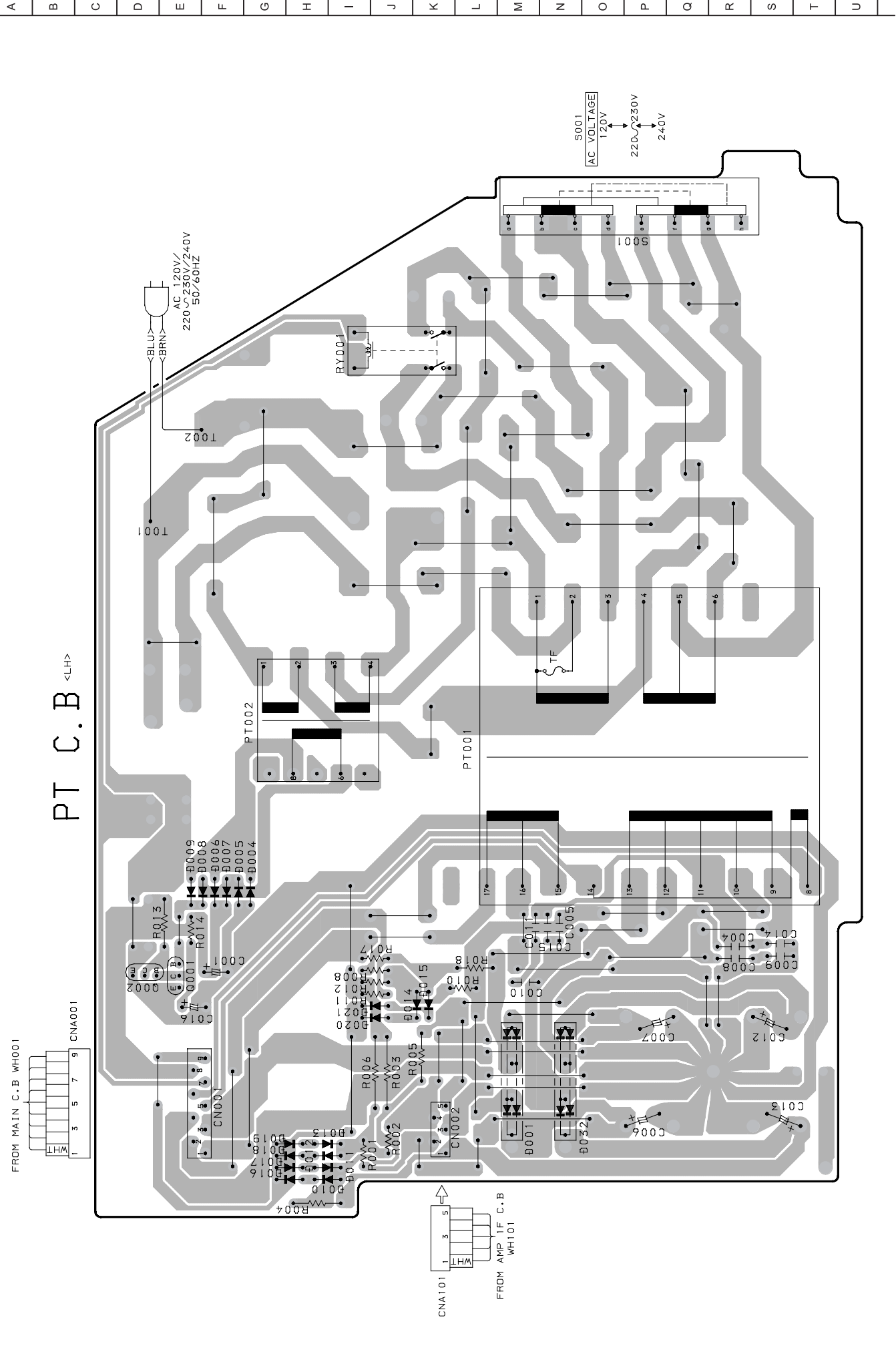
TO AMP 1F C.B.
CN101

SUB
WOOFER
CENTER
SPEAKER
SURROUND
SPEAKERS
J101

SCHEMATIC DIAGRAM - 10 (AMP P-LOGIC <U ONLY>)

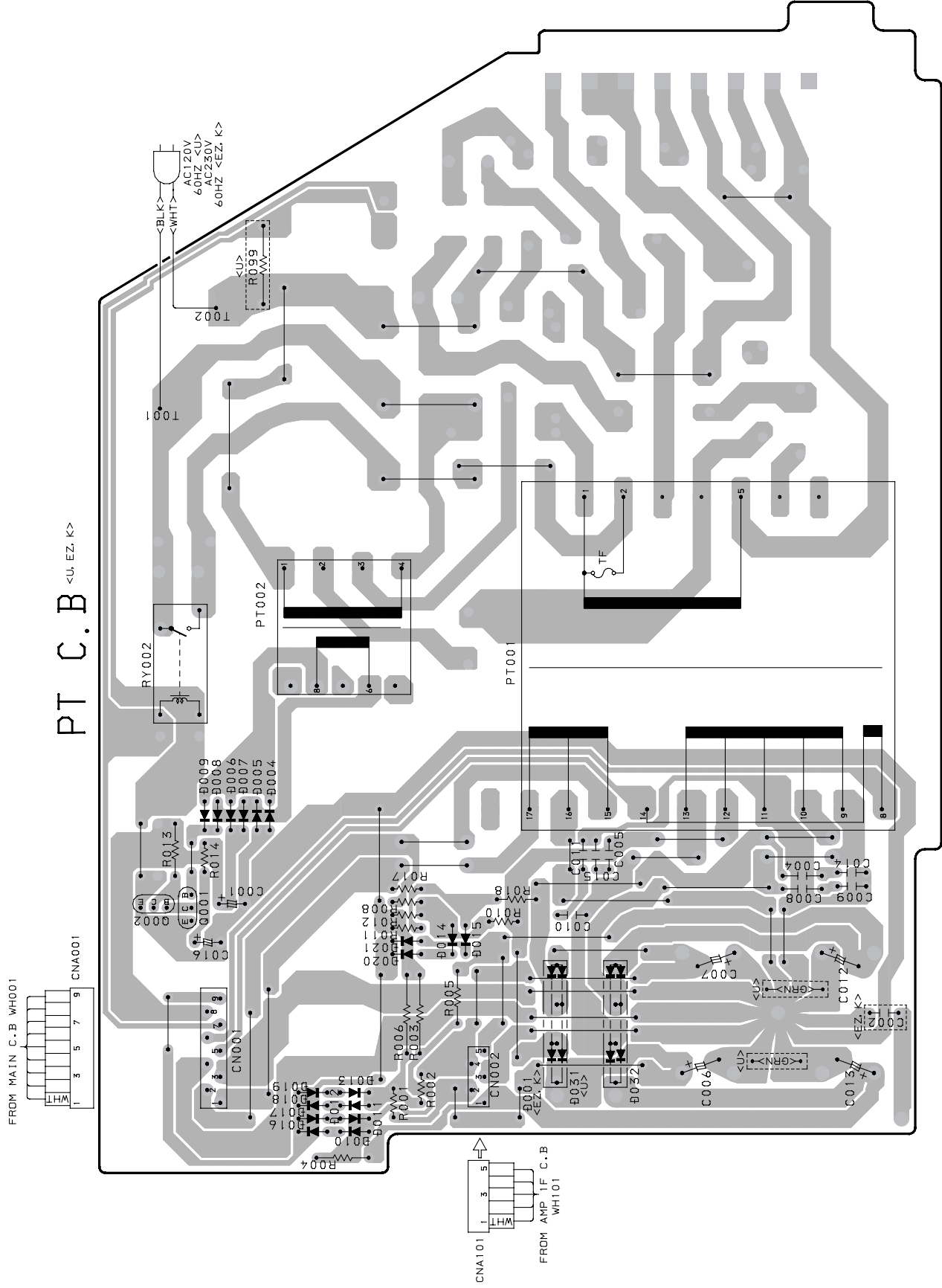


1 2 3 4 5 6 7 8 9 10 11 12 13 14 15 16 17 18 19 20 21 22 23 24 25 26 27 28 29 30 31 32

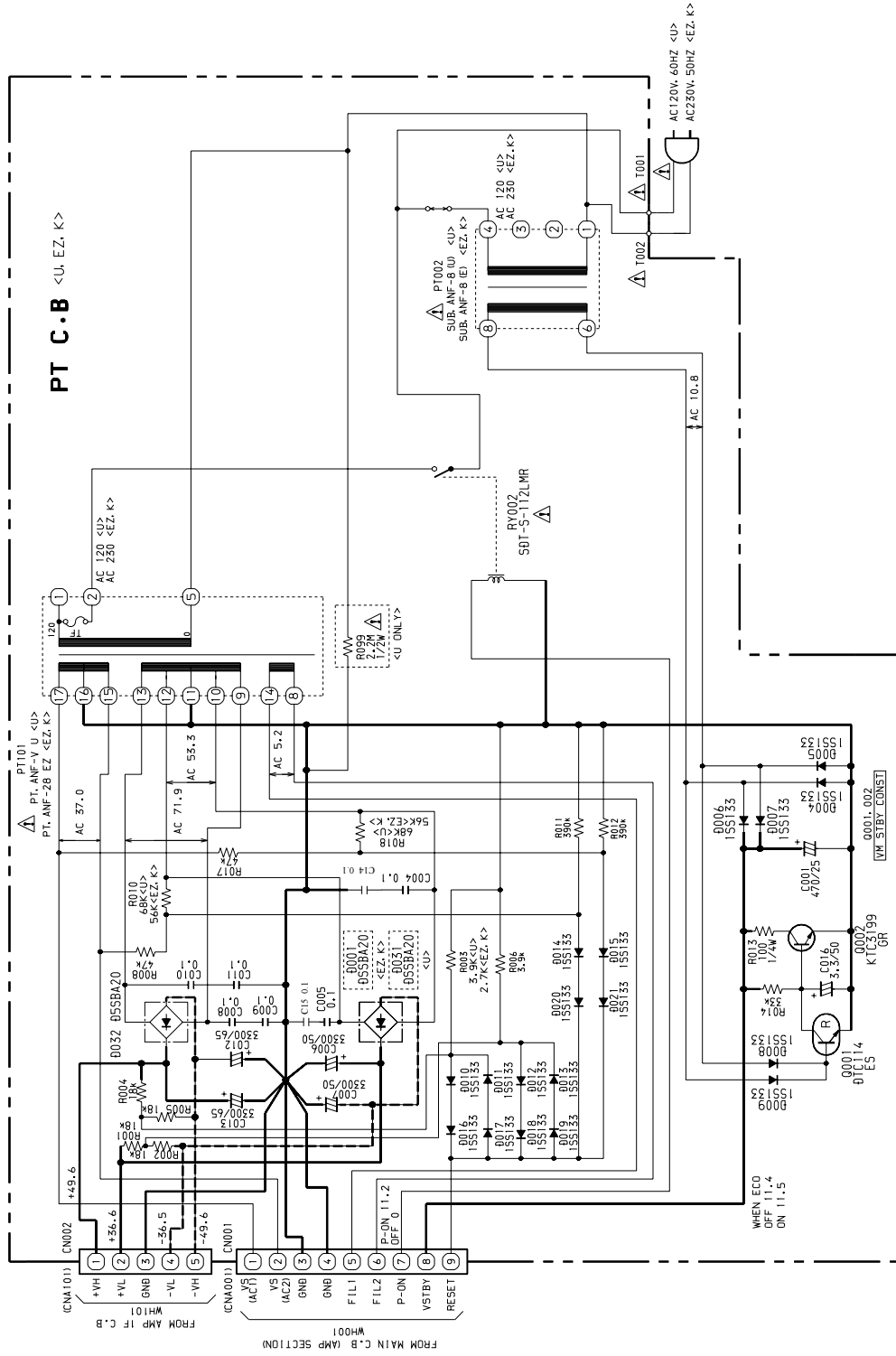


1 2 3 4 5 6 7 8 9 10 11 12 13 14 15 16 17 18 19 20 21 22 23 24 25 26 27 28 29 30 31 32

A B C D E F G H I J K L M N O P Q R S T U



SCHEMATIC DIAGRAM – 12 (PT : U, EZ, K)



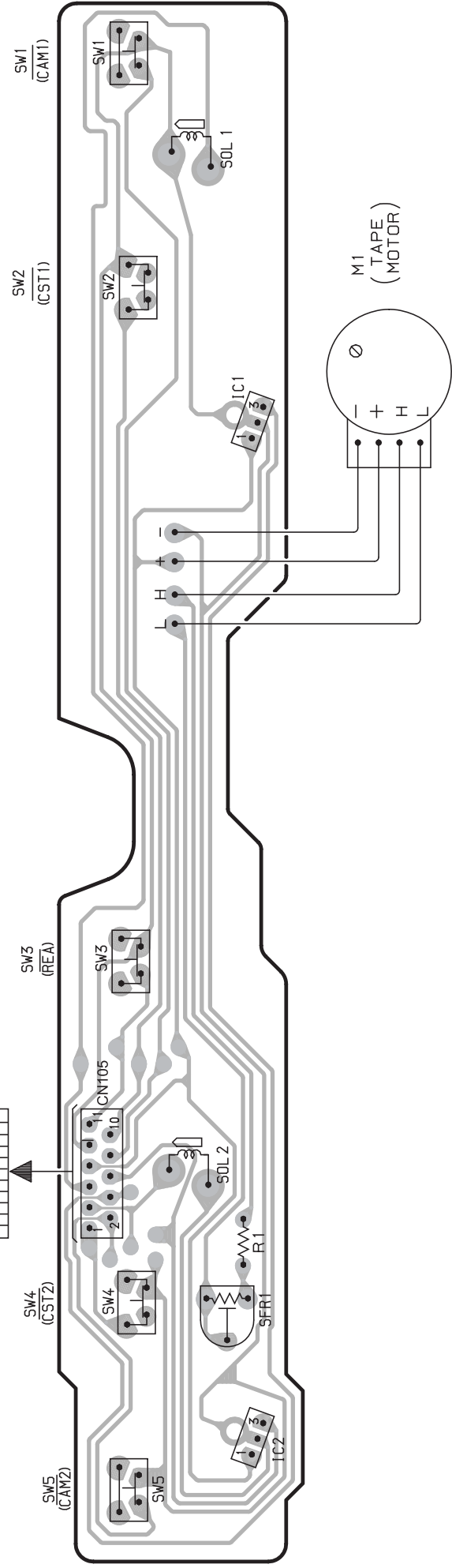
1	2	3	4	5	6	7	8	9	10	11	12	13	14	15	16	17	18	19	20	21	22	23	24	25	26	27	28	29	30	31	32
---	---	---	---	---	---	---	---	---	----	----	----	----	----	----	----	----	----	----	----	----	----	----	----	----	----	----	----	----	----	----	----

A	B	C	D	E	F	G	H	I	J	K	L	M	N	O	P	Q	R	S	T	U
---	---	---	---	---	---	---	---	---	---	---	---	---	---	---	---	---	---	---	---	---

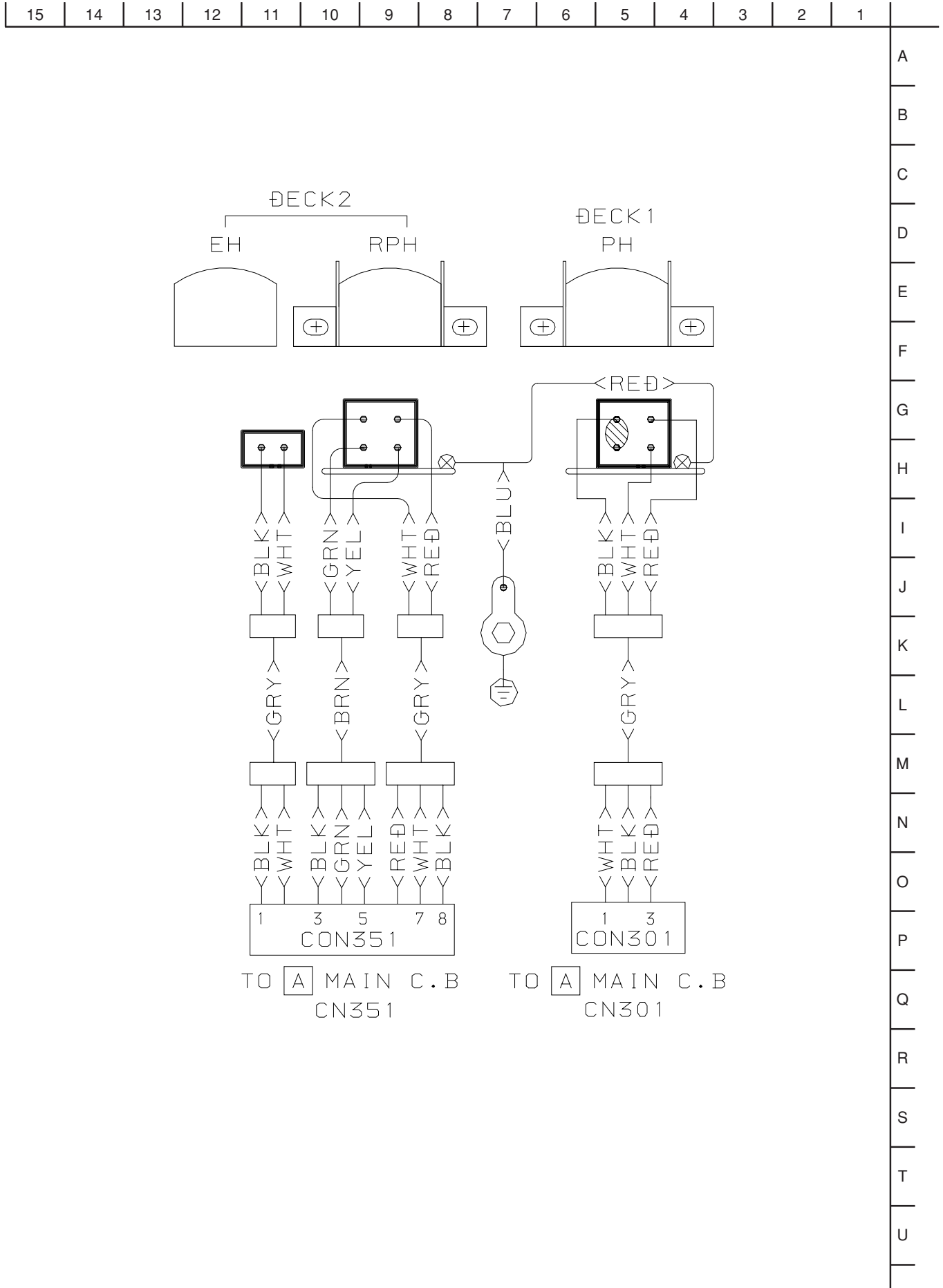
FROM FRONT C. B CN302



DECK C. B



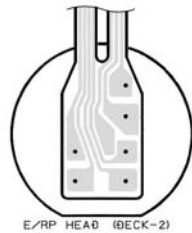
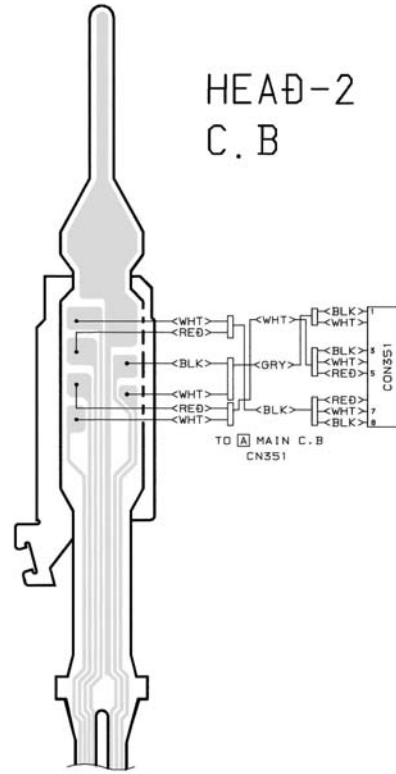
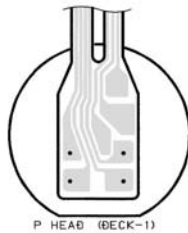
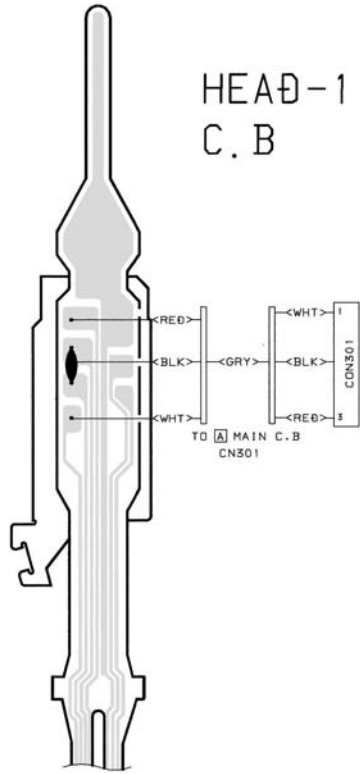
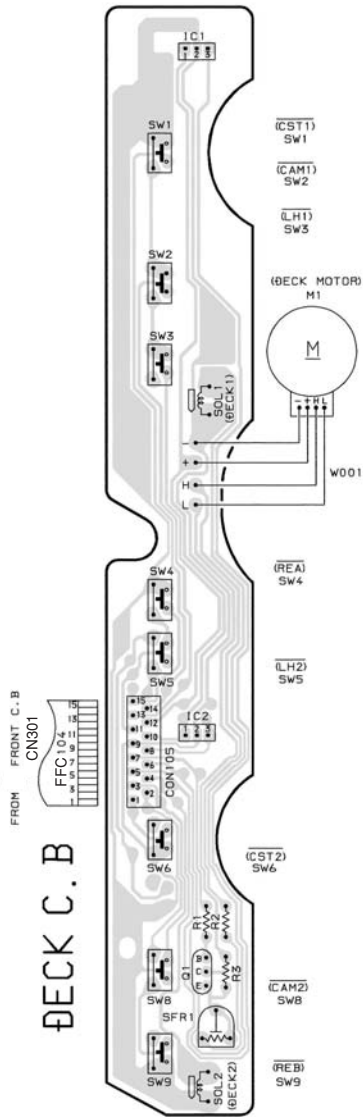
WIRING – 8 (HEAD : U)



WIRING - 9 (DECK / HEAD-1 / HEAD-2 : LH)

15	14	13	12	11	10	9	8	7	6	5	4	3	2	1
----	----	----	----	----	----	---	---	---	---	---	---	---	---	---

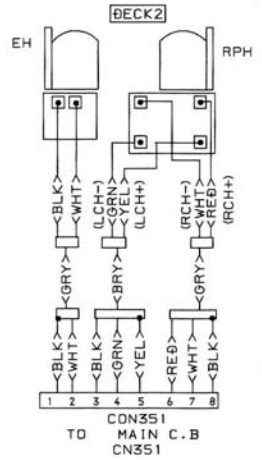
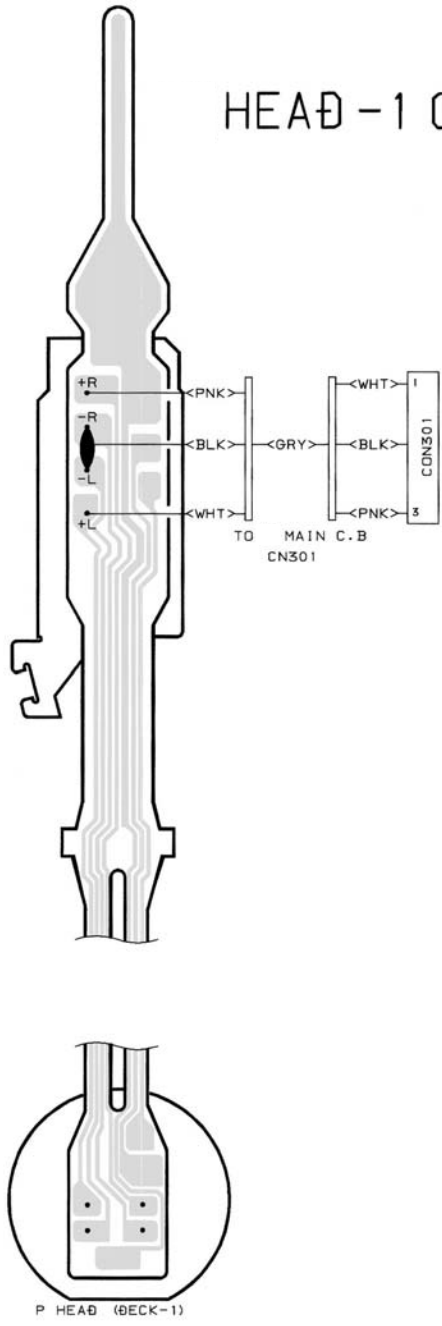
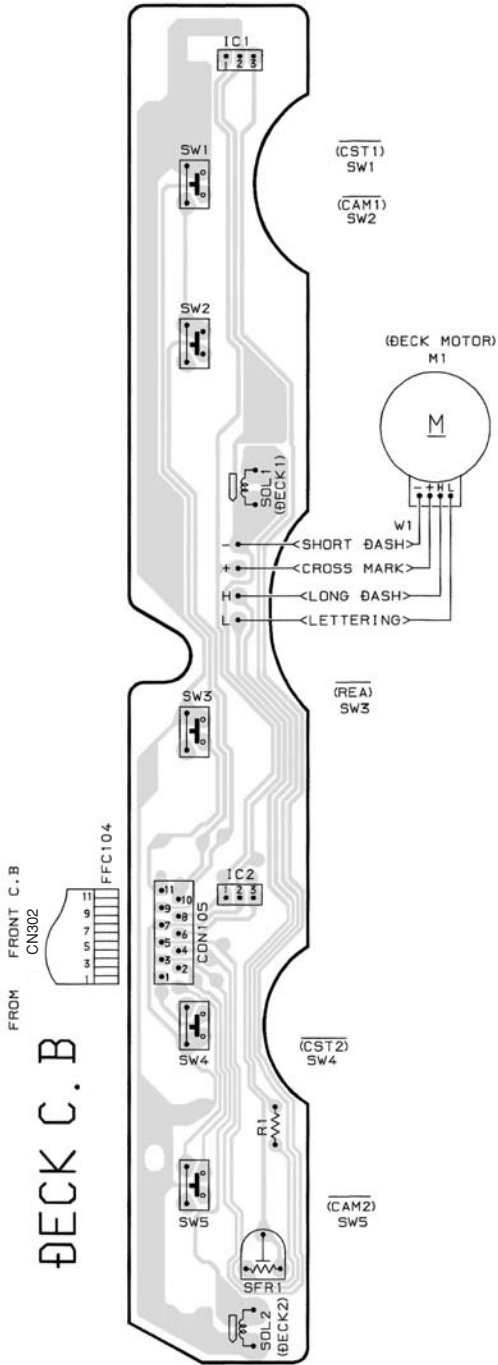
A
B
C
D
E
F
G
H
I
J
K
L
M
N
O
P
Q
R
S
T
U



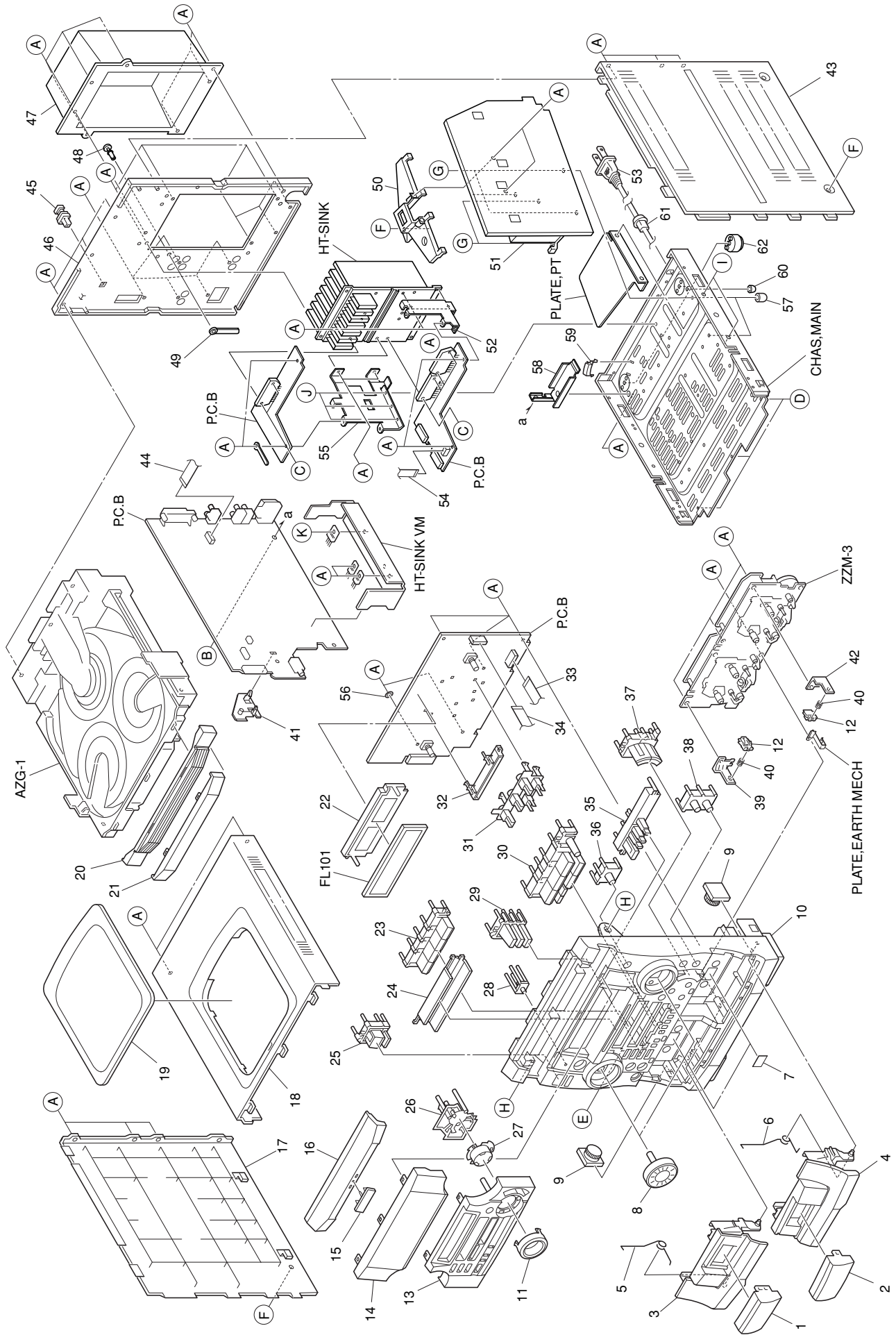
WIRING - 10 (DECK / HEAD - 1 : EZ, K)

15	14	13	12	11	10	9	8	7	6	5	4	3	2	1
----	----	----	----	----	----	---	---	---	---	---	---	---	---	---

A
B
C
D
E
F
G
H
I
J
K
L
M
N
O
P
Q
R
S
T
U



MECHANICAL EXPLODED VIEW 1 / 1 <U>



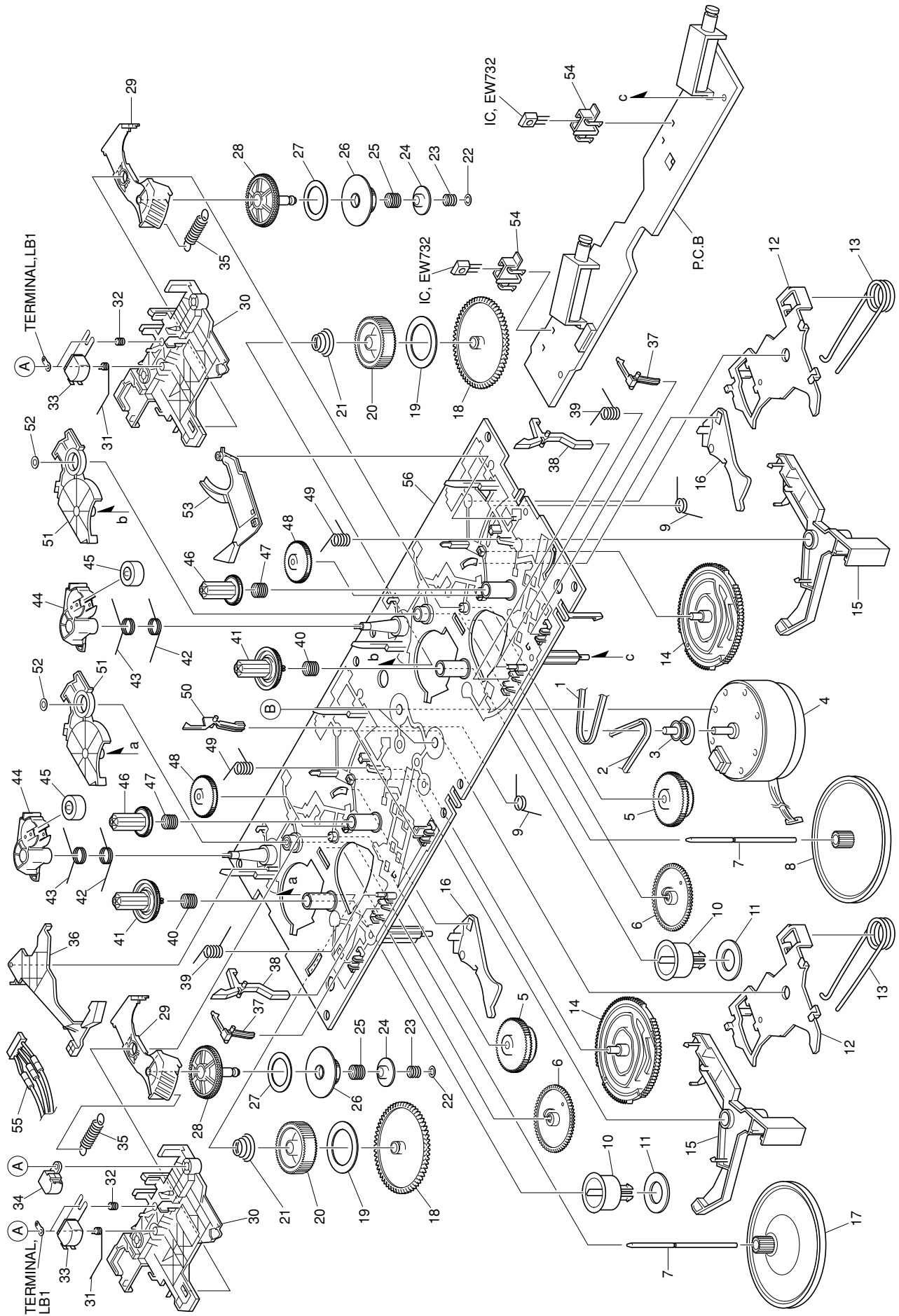
MECHANICAL PARTS LIST 1 / 1 <U>

REF. NO.	PART NO.	KANRI NO.	DESCRIPTION	REF. NO.	PART NO.	KANRI NO.	DESCRIPTION
1	8A-NF8-014-010		WINDOW, CASS 1	36	8A-NFV-006-010		KEY, PRO
2	8A-NF8-015-010		WINDOW, CASS 2	37	8A-NF8-029-010		KEY, OPEN
3	8A-NF8-003-010		BOX, CASS 1 U	38	8A-NFV-005-010		KEY, MIC
4	8A-NF8-004-010		BOX, CASS 2 U	39	87-NF4-216-010		HLDR, LOCK 1
5	8A-NF8-207-010		SPR-T, EJECT 1	40	86-NF9-224-010		SPR-C, LOCK
6	8A-NF8-208-010		SPR-T, EJECT 2	41	8A-NF8-206-010		HLDR, PWB M
7	81-532-080-010		LABEL, CASS. COMPT	42	87-NF4-217-110		HLDR, LOCK 2
8	8A-NF8-019-010		KNOB, RTRY JOG	43	8A-NF7-112-010		PANEL, RIGHT V-2
9	8A-NF8-209-010		OIL-DMPR, 120	44	88-906-251-110		FF-CABLE, 6P 1.25
10	8A-NFV-001-010		CABI, FR U	45	84-ZG1-245-210		CAP, OPTICAL
11	8A-NF8-034-010		PANEL, DIRECT	46	8A-NFV-016-010		PANEL, REAR USM
12	82-NF5-229-010		PLATE, LOCK	47	8A-NFV-027-010		COVER, REAR STEEL US
13	8A-NFV-002-010		PANEL, FR U	48	87-084-077-010		RIVET, NYL 3.5-4.5
14	8A-NFV-010-010		WINDOW, DISP U	49	87-064-185-010		HLDR, WIRE PVC 0.5
15	87-CE3-023-010		BADGE, AIWA 30N SILV	50	8A-NF6-217-010		HLDR, PWB PT
16	8A-NF8-009-010		PANEL, CD	51	8A-NFV-604-010	△	PT, ANF-V U
17	8A-NF8-007-010		PANEL, LEFT V-2	52	8A-NF7-208-010		HLDR, HT R
18	8A-NF8-005-010		PANEL, TOP	53	87-A80-110-010	△	AC CORD ASSY, U SPT-2W
19	8A-NF8-006-010		WINDOW, TOP	54	88-908-151-110		FF-CABLE, 8P 1.25-150MM
20	8A-NF8-010-010		PANEL, TRAY	55	8A-NF7-207-010		HLDR, HT L
21	8A-NF8-011-010		WINDOW, TRAY	56	85-NF7-599-010		PV, CW 3.2-8-0.8
22	88-NF8-205-010		GUIDE, FL	57	8Z-NB8-240-010		COVER, PL
23	8A-NF8-020-010		KEY, FUN	58	8A-NF7-209-010		HLDR, PWB-M BTM
24	8A-NF8-018-110		REFLECTOR, FUN	59	87-NF4-221-010		HLDR, CABLE
25	8A-NF8-016-010		KEY, POWER	60	8Z-NB8-254-010		COVER, PL M3
26	8A-NF8-031-010		KEY, DISC	61	87-A91-422-010		BUSHING, AC CORD(U)
27	8A-NF8-032-010		CAP, DISC	62	87-085-221-010		FOOT, H13.5
28	8A-NF8-017-010		REFLECTOR, ECO	A	87-067-703-010		TAPPING SCREW, BVT2+3-10
29	8A-NF8-022-010		KEY, GEQ	B	87-NF4-224-010		S-SCREW, IT3B+3-8 CU
30	8A-NF8-035-010		KEY, ASSY OPE 1WAY	C	87-067-581-010		TAPPING SCREW, BVT2+3-15
31	8A-NF8-202-010		GUIDE, OPE 1WAY	D	87-067-688-010		BVTT+3-6
32	8A-NF8-201-010		GUIDE, FUN	E	87-723-096-410		QT2+3-10W/O SLOT BL
33	88-911-101-110		FF-CABLE, 11P 1.25	F	87-067-641-010		UTT2+3-8 (W/O SLOT)BL
34	88-913-301-110		FF-CABLE, 13P-1.25	G	87-078-191-010		S-SCREW, IT+4-10
35	8A-NFV-008-010		KEY, CD EDIT U	H	87-721-097-410		QT2+3-12 GLD
				I	87-721-095-410		QT2+3-8 W/O SLOT
				J	87-067-584-010		TAPPING SCREW, BVT2+3-6
				K	87-067-001-010		S-SCREW, BVVWST2+3-12

COLOR NAME TABLE

Basic color symbol	Color	Basic color symbol	Color	Basic color symbol	Color
B	Black	C	Cream	D	Orange
G	Green	H	Gray	L	Blue
LT	Transparent Blue	N	Gold	P	Pink
R	Red	S	Silver	ST	Titan Silver
T	Brown	V	Violet	W	White
WT	Transparent White	Y	Yellow	YT	Transparent Yellow
LM	Metallic Blue	LL	Light Blue	GT	Transparent Green
LD	Dark Blue	DT	Transparent Orange	GM	Metallic Green
YM	Metallic Yellow	DM	Metallic Orange		

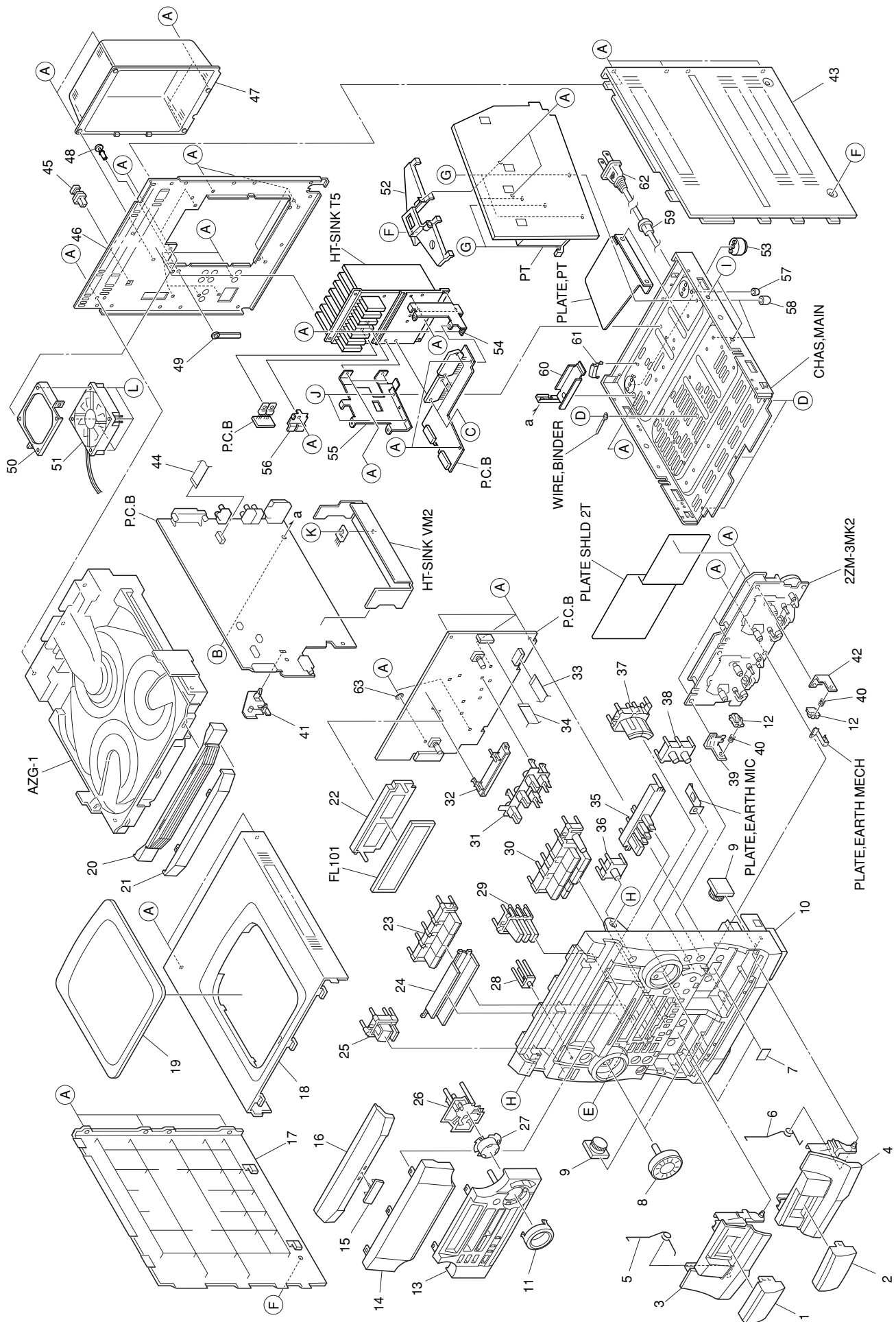
TAPE MECHANISM EXPLODED VIEW 1 / 1 <U>



TAPE MECHANISM PARTS LIST 1 / 1 <U>

REF. NO.	PART NO.	KANRI NO.	DESCRIPTION	REF. NO.	PART NO.	KANRI NO.	DESCRIPTION
1	8Z-ZM3-227-010		BELT, MAIN M3	31	8Z-ZM3-233-010		SPR-T, BRG M3
2	8Z-ZM3-235-010		BELT, MAIN L	32	84-ZM2-227-310		SPR-C, AZIMUTH
3	8Z-ZM1-235-010		PULLEY, MOT	33	87-A90-403-110		HEAD, RPH MS15R
4	87-045-347-010		MOT, SHU2L 70	34	87-A90-404-010		HEAD, EH LE15B
5	8Z-ZM1-232-010		GEAR, IDL FF/REW	35	8Z-ZM3-239-010		SPR-E, FR
6	8Z-ZM3-244-010		GEAR, CAM TD20	36	8Z-ZM3-211-010		LEVER, EJECT R
7	8Z-ZM3-242-010		SHAFT, CAP M3	37	8Z-ZM3-225-010		LEVER, STOP
8	8Z-ZM3-228-010		FLY-WHL, M3	38	8Z-ZM3-221-010		LEVER, CAS
9	8Z-ZM3-231-010		SPR-T, TRIG	39	8Z-ZM3-234-010		SPR-T, LVR CAS
10	8Z-ZM3-213-010		CLR, MG	40	8Z-ZM3-223-010		SPR-C, REEL R M3
11	82-ZM3-616-010		RING MAGNET 4	41	8Z-ZM1-225-110		GEAR, REEL R
12	8Z-ZM3-243-010		LEVER ASSY, HD UP	42	8Z-ZM3-240-010		SPR-T, T-UP M3
13	8Z-ZM3-238-010		SPR-T, HD UP	43	8Z-ZM3-237-010		SPR-T, PINCH M3
14	8Z-ZM3-219-010		GEAR, CAM M3	44	8Z-ZM3-215-010		LEVER, PINCH M3
15	8Z-ZM3-206-010		LEVER, TRIG	45	8Z-ZM1-261-110		ROLLER ASSY, PINCH
16	8Z-ZM3-209-010		LEVER, CAM FR	46	8Z-ZM1-226-010		GEAR, REEL L
17	8Z-ZM2-211-010		FLY-WHL, ZZM-2	47	8Z-ZM3-222-010		SPR-C, REEL L M3
18	8Z-ZM1-228-010		GEAR, SLIP T-UP B	48	8Z-ZM3-251-010		GEAR, IDL REW M3
19	8Z-ZM1-265-010		FELT, T-UP	49	8Z-ZM3-236-010		SPR-T, PLAY M3
20	8Z-ZM1-227-010		GEAR, SLIP T-UP A	50	8Z-ZM1-240-110		LVR, REC(*)
21	8Z-ZM1-251-110		SPR-C, T-UP SLIP	51	8Z-ZM3-216-010		LEVER, T-UP M3
22	8Z-ZM1-275-010		W-L, 1, 47-4-0.25	52	87-B10-301-010		W-L, 1.63-3.2-05 SLIT
23	8Z-ZM1-257-010		SPR-C, F/R	53	8Z-ZM3-212-010		LEVER, EJECT L
24	8Z-ZM1-236-010		CLR, SLIP FF/REW	54	8Z-ZM3-214-010		HLDR, IC
25	8Z-ZM3-226-010		SPR-C, FR M3	55	86-ZM3-605-110		CONN ASSY, 8P -RPB
26	8Z-ZM3-250-010		GEAR, SLIP F/R A M3	56	8Z-ZM3-203-010		CHAS ASSY, M3
27	8Z-ZM1-269-010		FELT, FF/REW 2	A	84-ZM2-242-010		S-SCREW, AZ1-2-6.4
28	8Z-ZM1-238-110		GEAR, SLIP FF/REW B 2	B	8Z-ZM2-220-110		V+2.6 ZZM-2
29	8Z-ZM3-220-010		LEVER, FR M3				
30	8Z-ZM3-205-010		LEVER, PLAY M3				

MECHANICAL EXPLODED VIEW 1/1 <LH>



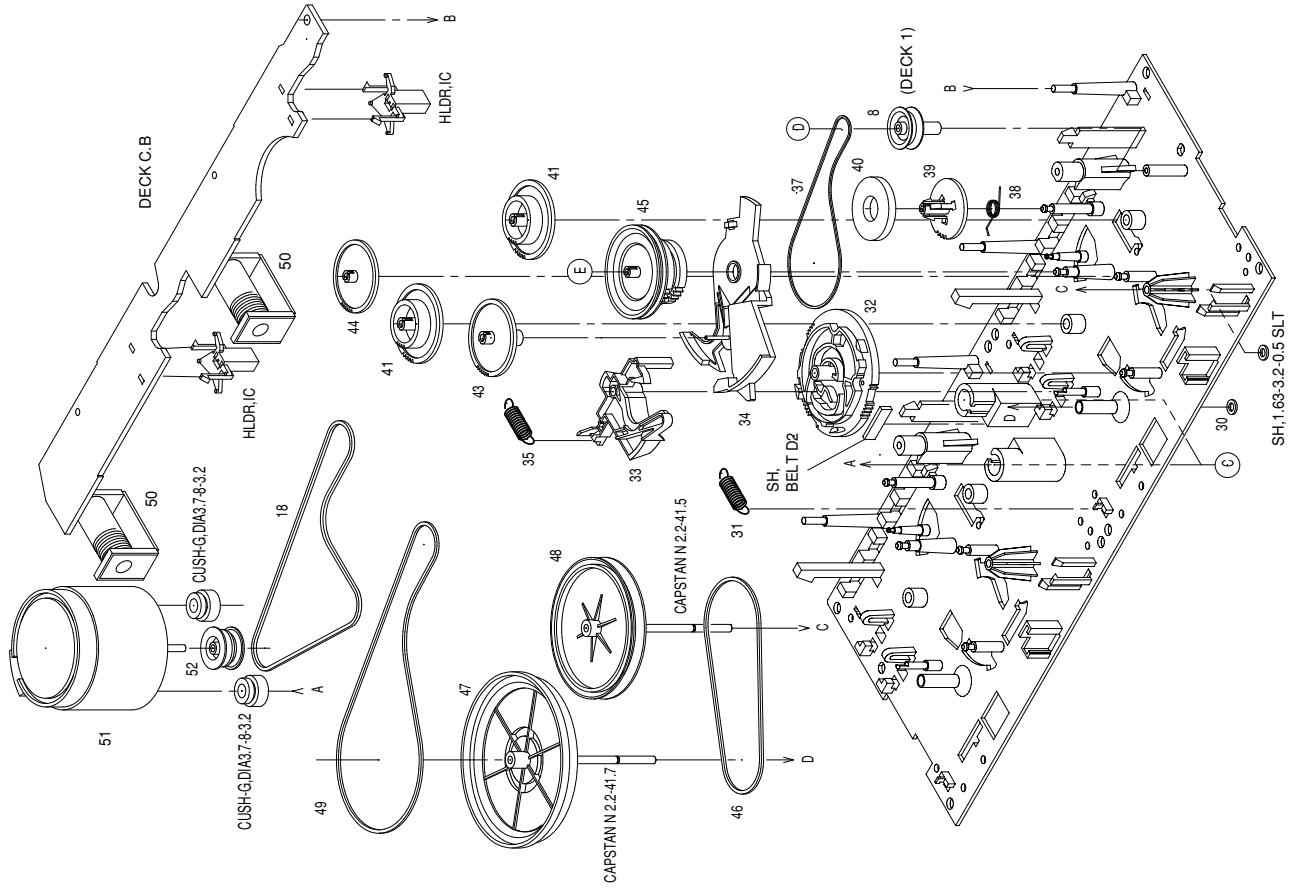
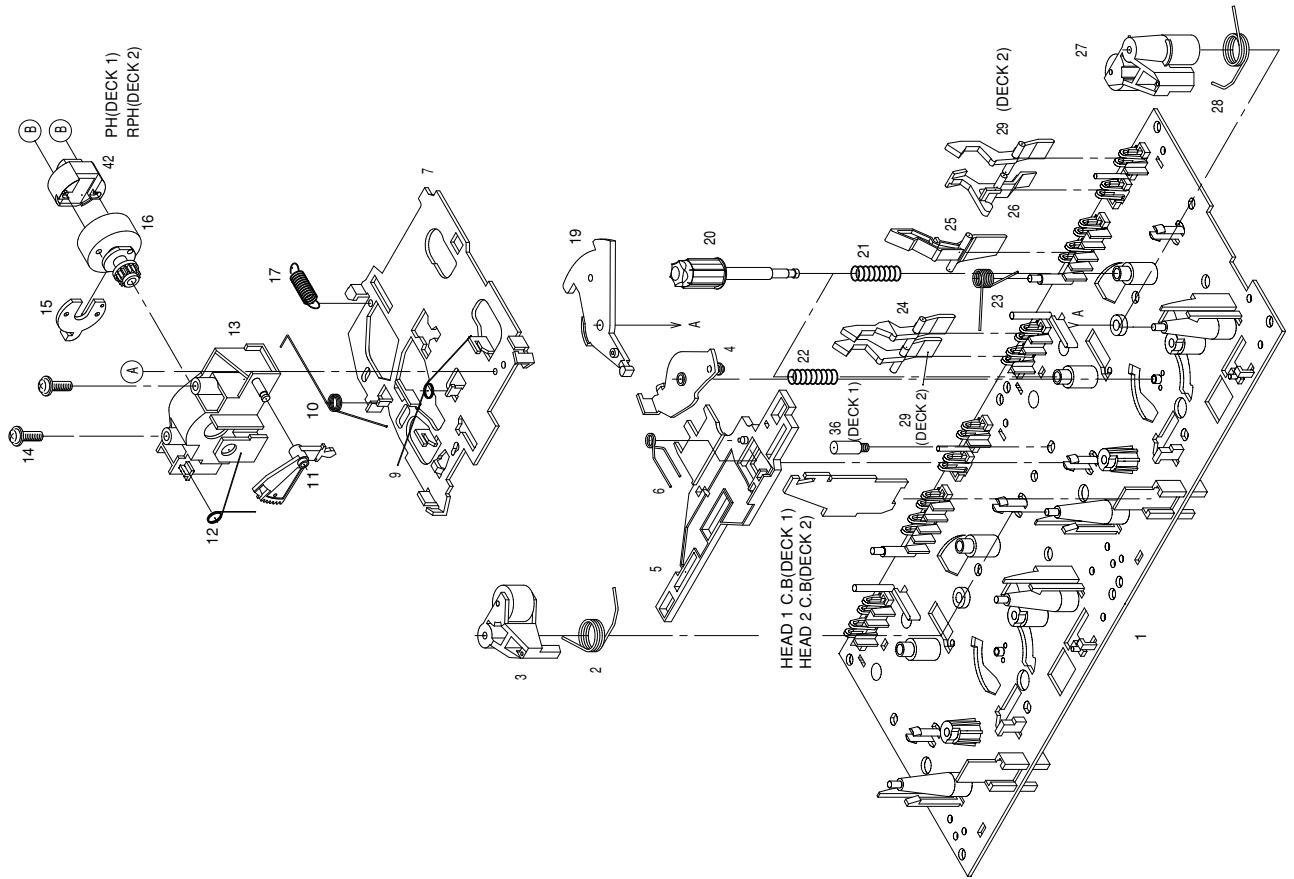
MECHANICAL PARTS LIST 1 / 1 <LH>

REF. NO.	PART NO.	KANRI NO.	DESCRIPTION	REF. NO.	PART NO.	KANRI NO.	DESCRIPTION
1	8A-NF8-014-010		WINDOW, CASS 1	41	8A-NF8-206-010		HLDR, PWB M
2	8A-NF8-015-010		WINDOW, CASS 2	42	87-NF4-217-110		HLDR, LOCK 2
3	8A-NF8-042-010		BOX, CASS 1H	43	8A-NF7-112-010		PANEL, RIGHT V-2
4	8A-NF8-043-010		BOX, CASS 2H	44	88-906-251-110		FF-CABLE, 6P 1.25
5	82-NF5-218-010		SPR-T, EJECT 1 (SIN)	45	84-ZG1-245-210		CAP, OPTICAL
6	82-NF5-219-010		SPR-T, EJECT 2 (SIN)	46	8A-NFV-015-010		PANEL, REAR LHSM
7	81-532-080-010		LABEL, CASS. COMPT	47	8A-NHU-053-010		COVER, REAR H
8	8A-NF8-019-010		KNOB, RTRY JOG	48	87-084-077-010		NYLON RIVET, 3.5-4.5
9	8Z-NF6-210-010		DMPR, 150 N	49	87-064-185-010		HLDR, WIRE
10	8A-NFV-014-010		CABI, FR EZ	50	8A-NF6-219-010		HLDR, FAN
11	8A-NF8-034-010		PANEL, DIRECT	51	87-A91-711-010		FAN, 3110GL-B4W-B34-H02-400MM
12	82-NF5-229-010		PLATE, LOCK	52	8A-NF6-217-010		HLDR, PWB PT
13	8A-NFV-004-010		PANEL, FR H	53	87-085-221-010		FOOT, H13.5
14	8A-NFV-012-010		WINDOW, DISP H	54	8A-NF7-208-010		HLDR, HT R
15	87-CE3-023-010		BADGE, AIWA 30N SILV	55	8A-NF7-207-010		HLDR, HT L
16	8A-NF8-009-010		PANEL, CD	56	8A-NF7-226-010		HLDR, IC2-T2
17	8A-NF8-007-010		PANEL, LEFT V-2	57	8Z-NB8-254-010		COVER, PL M3
18	8A-NF8-005-010		PANEL, TOP	58	8Z-NB8-240-010		COVER, PL
19	8A-NF8-006-010		WINDOW, TOP	59	87-085-185-010		BUSHING, AC CORD (E)
20	8A-NF8-010-010		PANEL, TRAY	60	8A-NF7-209-010		HLDR, PWB-M BTM
21	8A-NF8-011-010		WINDOW, TRAY	61	87-NF4-221-010		HLDR, CABLE
22	88-NF8-205-010		GUIDE, FL	△ 62	87-A80-092-010		AC CORD ASSY, E BLK SUN FAI
23	8A-NF8-020-010		KEY, FUN	63	87-067-001-010		FW, 3.1-5.4-1
24	8A-NF8-018-110		REFLECTOR, FUN	A	87-067-703-010		TAPPING SCREW, BVT2+3-10
25	8A-NF8-016-010		KEY, POWER	B	87-NF4-224-010		S-SCREW, IT3B+3-8 CU
26	8A-NF8-031-110		KEY, DISC	C	87-067-581-010		TAPPING SCREW, BVT2+3-15
27	8A-NF8-032-010		CAP, DISC	D	87-067-688-010		BVTT+3-6
28	8A-NF8-017-010		REFLECTOR, ECO	E	87-723-096-410		QT2+3-10W/O SLOT BL
29	8A-NF8-022-010		KEY, GEQ	F	87-067-641-010		UTT2+3-8 (W/O SLOT)BL
30	8A-NF8-036-010		KEY, ASSY OPE REV	G	87-078-191-010		S-SCREW, IT+4-10
31	8A-NF8-203-010		GUIDE, OPE REV	H	87-721-097-410		QT2+3-12 GLD
32	8A-NF8-201-010		GUIDE, FUN	I	87-591-095-410		TAPPING SCREW, QIT+3-8 (GLD)
33	88-915-101-110		FF-CABLE, 15P 1.25 100MM	J	87-067-584-010		TAPPING SCREW, BVT2+3-6
34	88-913-301-110		FF-CABLE, 13P-1.25	K	87-067-001-010		S-SCREW BVVWST2+3-8
35	8A-NF8-037-010		KEY, CD EDIT H	L	87-067-689-010		BVTT+3-8
36	8A-NFV-006-010		KEY, PRO				
37	8A-NF8-029-110		KEY, OPEN				
38	8A-NFV-005-010		KEY, MIC				
39	87-NF4-216-010		HLDR, LOCK 1				
40	86-NF9-224-010		SPR-C, LOCK				

COLOR NAME TABLE

Basic color symbol	Color	Basic color symbol	Color	Basic color symbol	Color
B	Black	C	Cream	D	Orange
G	Green	H	Gray	L	Blue
LT	Transparent Blue	N	Gold	P	Pink
R	Red	S	Silver	ST	Titan Silver
T	Brown	V	Violet	W	White
WT	Transparent White	Y	Yellow	YT	Transparent Yellow
LM	Metallic Blue	LL	Light Blue	GT	Transparent Green
LD	Dark Blue	DT	Transparent Orange	GM	Metallic Green
YM	Metallic Yellow	DM	Metallic Orange		

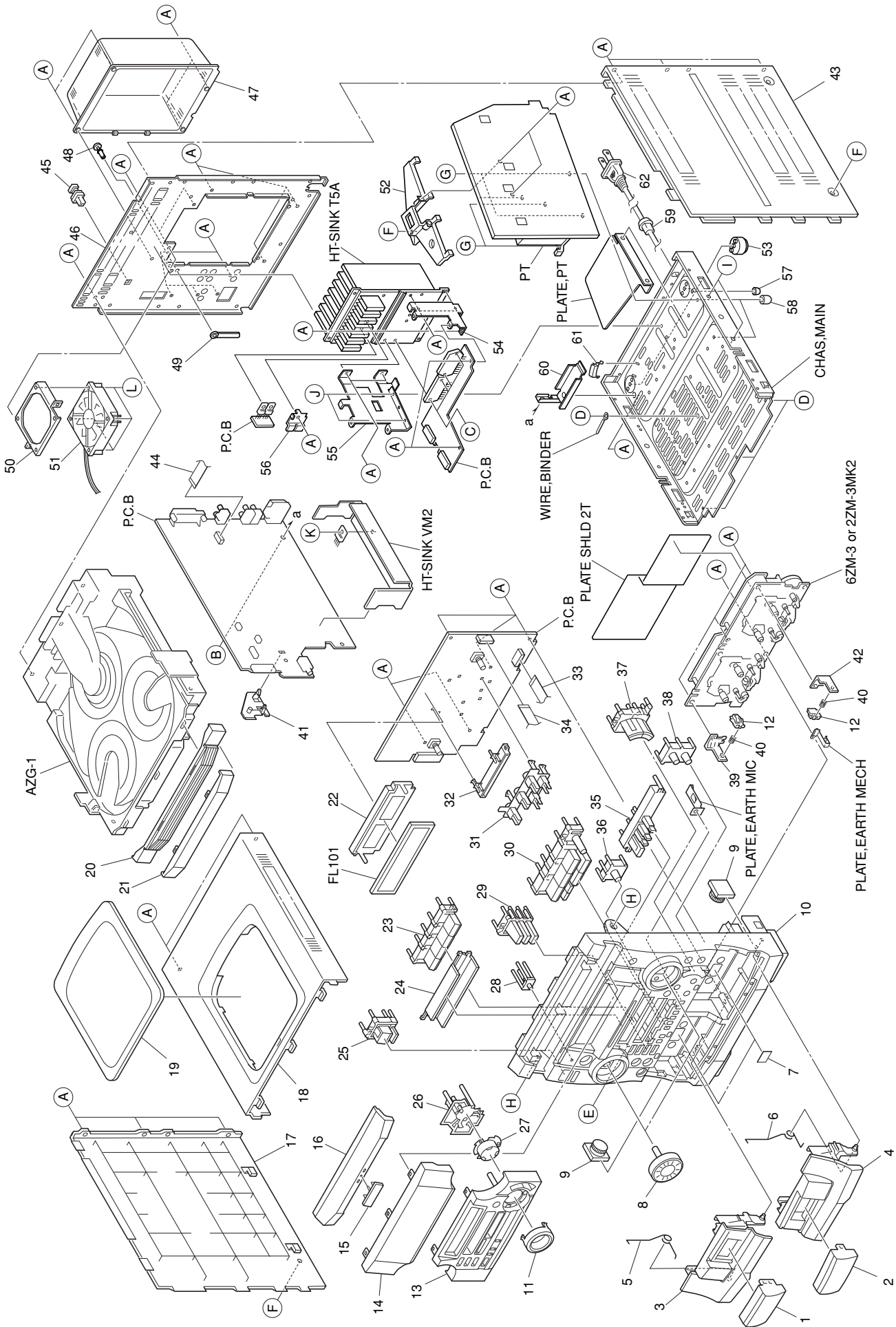
TAPE MECHANISM EXPLODED VIEW 1 / 1 <LH>



TAPE MECHANISM PARTS LIST 1 / 1 <LH>

REF. NO.	PART NO.	KANRI NO.	DESCRIPTION	REF. NO.	PART NO.	KANRI NO.	DESCRIPTION
1	82-ZM3-301-610		CHAS ASSY, M2	31	82-ZM1-255-310		SPR-E, LVR DIR
2	82-ZM1-258-210		SPR-T, PINCH L	32	82-ZM3-305-210		GEAR, CAM M2
3	82-ZM1-341-210		LVR ASSY, PINCH L2	33	82-ZM1-227-310		LVR, TRIG
4	82-ZM1-333-210		PLATE, LINK2	34	82-ZM3-306-110		LVR, FR M2
5	82-ZM1-266-310		LVR, DIR	35	82-ZM1-265-310		SPR-E, TRIG
6	82-ZM1-214-010		SPR-T, DIR	36	82-ZM3-339-110		SHAFT, COUPLER N3
7	82-ZM1-206-910		CHAS, HEAD	37	86-ZM1-206-010		BELT, MAIN L
8	82-ZM3-335-310		PULLEY, COUPLER M3	38	82-ZM1-322-010		SPR-T, FR 60
9	82-ZM1-269-210		SPR-T, BRG	39	82-ZM1-220-210		GEAR, IDLER
10	82-ZM1-219-110		SPR-T, LINK	40	82-ZM3-616-010		RING MAGNET 4
11	82-ZM1-210-110		GEAR, H T	41	82-ZM1-216-410		GEAR, REEL
12	82-ZM1-213-010		SPR-T, HEAD	42	87-A90-820-010		HEAD, PH HADKH25 FPC
13	82-ZM1-207-910		GUIDE, TAPE	42	87-A90-821-010		HEAD, RPH HADKH56 FPC
14	86-ZM4-206-010		S-SCREW, AZIMUTH L	43	82-ZM1-225-210		GEAR, FR
15	82-ZM1-314-110		PLATE, HEAD	44	82-ZM1-226-010		GEAR, REW
16	82-ZM1-208-310		HLDR, HEAD	45	82-ZM3-333-310		SLIP DISK ASSY 2
17	82-ZM1-218-010		SPR-E, HB	46	82-ZM1-338-110		BELT, FR 4
18	82-ZM3-342-010		BELT, SBU MOT 3	47	82-ZM1-349-110		FLY-WHL, R W
19	82-ZM1-222-210		LVR, PLAY	47	82-ZM1-348-110		FLY-WHL, L W
20	82-ZM1-217-410		REEL TABLE	48	82-ZM3-338-310		FLY-WHL, R3W
21	82-ZM1-244-510		SPR-C, BT	49	82-ZM3-329-410		BELT, SBU R2
22	82-ZM1-285-410		SPR-C, BT L	50	82-ZM1-618-410		SOL ASSY, 27
23	82-ZM1-257-010		SPR-T, CAS	51	87-045-347-010		MOT, SHU2L 70
24	82-ZM1-241-310		LVR, MC	52	82-ZM3-221-210		PULLEY, MOT 2M
25	82-ZM1-242-010		LVR, CAS	A	85-ZM3-202-010		S-SCREW, TG
26	82-ZM1-243-010		LVR, STOP	B	80-ZM6-207-010		V+1.6-7
27	82-ZM1-344-010		LVR ASSY, PINCH R2	C	82-ZM3-318-110		S-SCREW W, MOTOR M2
28	82-ZM1-259-210		SPR-T, PINCH R	D	87-B10-043-010		W-P, 0.99-4-0.25 SLT
29	82-ZM1-240-110		LVR, REC (*)	E	82-ZM3-334-010		PW 2.16-6-0.4
30	80-ZM6-243-010		SH 1.75-3.6-0.5 SLT				

MECHANICAL EXPLODED VIEW 1/1 <EZ, K>



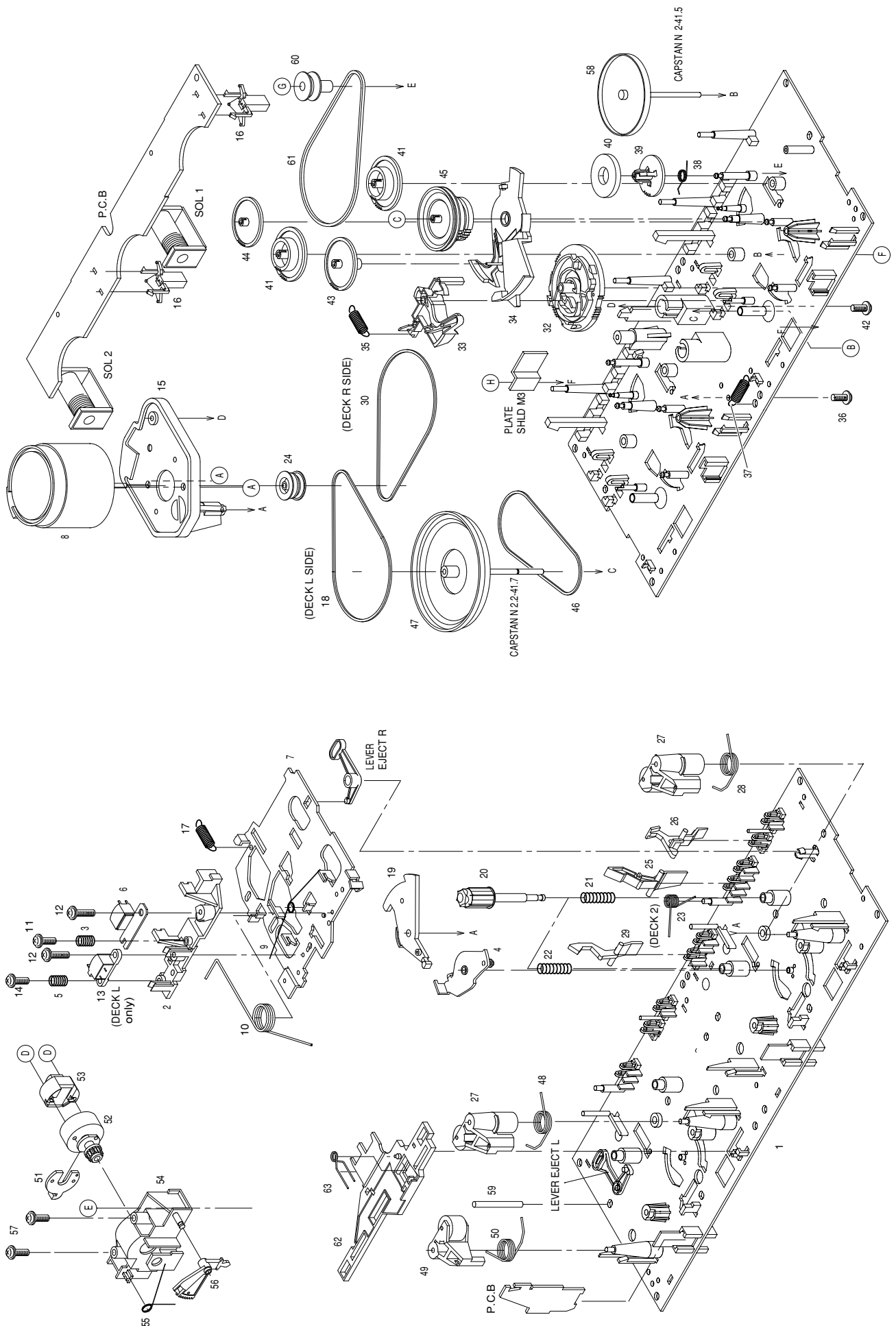
MECHANICAL PARTS LIST 1 / 1 <EZ, K>

REF. NO.	PART NO.	KANRI NO.	DESCRIPTION	REF. NO.	PART NO.	KANRI NO.	DESCRIPTION
1	8A-NF8-014-010		WINDOW, CASS 1	36	8A-NFV-006-010		KEY, PRO
2	8A-NF8-015-010		WINDOW, CASS 2	37	8A-NF8-029-010		KEY, OPEN
3	8A-NF8-042-010		BOX, CASS 1H	38	8A-NFV-005-010		KEY, MIC
4	8A-NF8-004-010		BOX, CASS 2 U	39	87-NF4-216-010		HLDR, LOCK 1
5	8A-NF8-207-010		SPR-T, EJECT 1	40	86-NF9-224-010		SPR-C, LOCK
6	8A-NF8-208-010		SPR-T, EJECT 2	41	8A-NF8-206-010		HLDR, PWB M
7	81-532-080-010		LABEL, CASS. COMPT	42	87-NF4-217-110		HLDR, LOCK 2
8	8A-NF8-019-010		KNOB, RTRY JOG	43	8A-NF7-112-010		PANEL, RIGHT V-2
9	8A-NF8-209-010		OIL-DMPR, 120	44	88-906-251-110		FF-CABLE, 6P 1.25
10	8A-NFV-001-010		CABI, FR U	45	84-ZG1-245-210		CAP, OPTICAL
11	8A-NF8-034-010		PANEL, DIRECT	46	8A-NFV-022-010		PANEL, REAR EZSM<EZSM>
12	82-NF5-229-010		PLATE, LOCK	46	8A-NFV-024-010		PANEL, REAR KSM<KSM>
13	8A-NFV-003-010		PANEL, FR EZ	47	8A-NHU-053-010		COVER, REAR H
14	8A-NFV-011-010		WINDOW, DISP E	48	87-084-077-010		NYLON RIVET, 3.5-4.5
15	87-CE3-023-010		BADGE, AIWA 30N SILV	49	87-064-185-010		HLDR, WIRE
16	8A-NF8-009-010		PANEL, CD	50	8A-NF6-219-010		HLDR, FAN
17	8A-NF8-007-010		PANEL, LEFT V-2	51	87-A91-711-010		FAN, 3110 GL-B4W, B34H
18	8A-NF8-005-010		PANEL, TOP	52	8A-NF6-217-010		HLDR, PWB PT
19	8A-NF8-006-010		WINDOW, TOP	53	87-085-221-010		FOOT, H13.5
20	8A-NF8-010-010		PANEL, TRAY	54	8A-NF7-208-010		HLDR, HT R
21	8A-NF8-011-010		WINDOW, TRAY	55	8A-NF7-207-010		HLDR, HT L
22	88-NF8-205-010		GUIDE, FL	56	8A-NF7-226-010		HLDR, IC2-T2
23	8A-NF8-020-010		KEY, FUN	57	8Z-NB8-254-010		COVER, PL M3
24	8A-NF8-018-110		REFLECTOR, FUN	58	8Z-NB8-240-010		COVER, PL
25	8A-NF8-016-010		KEY, POWER	59	87-085-185-010		BUSHING, AC CORD (E)
26	8A-NF8-031-110		KEY, DISC	60	8A-NF7-209-010		HLDR, PWB-M BTM
27	8A-NF8-032-010		CAP, DISC	61	87-NF4-221-010		HLDR, CABLE
28	8A-NF8-017-010		REFLECTOR, ECO	62	87-A80-143-010		AC CORD ASSY, E BLK<KSM>
29	8A-NF8-022-010		KEY, GEQ	62	87-A80-092-010		AC CORD ASSY, E BLK SUN FAI<EZSM>
30	8A-NF8-036-010		KEY, ASSY OPE REV	A	87-067-703-010		TAPPING SCREW, BVT2+3-10
31	8A-NF8-203-010		GUIDE, OPE REV	B	87-NF4-224-010		S-SCREW, IT3B+3-8 CU
32	8A-NF8-201-010		GUIDE, FUN	C	87-067-581-010		TAPPING SCREW, BVT2+3-15
33	88-911-101-110		FF-CABLE, 11P 1.25	D	87-067-688-010		BVTT+3-6
34	88-913-301-110		FF-CABLE, 13P-1.25	E	87-723-096-410		QT2+3-10W/O SLOT BL
35	8A-NFV-009-010		KEY, CD EDIT E	F	87-067-641-010		UTT2+3-8 (W/O SLOT)BL
				G	87-078-191-010		S-SCREW, IT+4-10
				H	87-721-097-410		QT2+3-12 GLD
				I	87-591-095-410		TAPPING SCREW, QIT+3-8 (GLD)
				J	87-067-584-010		TAPPING SCREW, BVT2+3-6
				K	87-067-001-010		S-SCREW BVVWST2+3-12
				L	87-067-689-010		BVTT+3-8

COLOR NAME TABLE

Basic color symbol	Color	Basic color symbol	Color	Basic color symbol	Color
B	Black	C	Cream	D	Orange
G	Green	H	Gray	L	Blue
LT	Transparent Blue	N	Gold	P	Pink
R	Red	S	Silver	ST	Titan Silver
T	Brown	V	Violet	W	White
WT	Transparent White	Y	Yellow	YT	Transparent Yellow
LM	Metallic Blue	LL	Light Blue	GT	Transparent Green
LD	Dark Blue	DT	Transparent Orange	GM	Metallic Green
YM	Metallic Yellow	DM	Metallic Orange		

TAPE MECHANISM EXPLODED VIEW 1 / 1 <EZ, K>



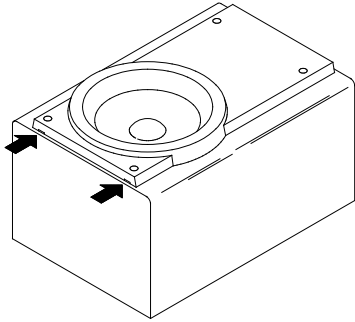
TAPE MECHANISM PARTS LIST 1 / 1 <EZ, K>

REF. NO.	PART NO.	KANRI NO.	DESCRIPTION	REF. NO.	PART NO.	KANRI NO.	DESCRIPTION
1	86-ZM3-215-010		CHAS ASSY,RS	41	82-ZM1-216-310		GEAR, REEL
2	86-ZM3-202-010		BASE, HEAD S	42	86-ZM3-213-010		S-SCREW, HLDR, MOT 3
3	86-ZM3-205-010		SPR-C, RPH S	43	82-ZM1-225-210		GEAR, FR
4	82-ZM1-333-210		PLATE, LINK 2	44	82-ZM1-226-010		GEAR, REW
5	86-ZM3-206-010		SPR-C, EH S	45	82-ZM3-333-310		SLIP DISK ASSY 2
6	87-A90-403-010		HEAD, RPH MS15R	46	82-ZM1-338-010		BELT FR4
7	86-ZM3-201-010		CHAS, HEAD S (DECK L)	47	82-ZM1-349-010		FLY-WHL RW (DECK L)
7	82-ZM3-206-910		BELT, R	47	82-ZM3-338-010		FLY-WHL R3W (DECK R)
8	87-045-347-010		MOT, SHU2L 70 (M1)	48	82-ZM1-259-210		SPR-T, PINCH R
9	82-ZM1-269-210		SPR-T, BRG	49	82-ZM1-341-110		LVR ASSY, PINCH L2
10	82-ZM1-219-110		SPR-T, LINK	50	82-ZM1-258-210		SPR-T, PINCH L
11	86-ZM3-209-010		S-SCREW, ASIMUTHS	51	82-ZM1-314-110		PLATE, HEAD
12	86-ZM3-207-010		S-SCREW, RPH	52	82-ZM1-208-310		HLDR, HEAD
13	87-A90-404-010		HEAD, EH LE15B	53	87-A90-366-010		HEAD, PH YK50P-BF414
14	86-ZM3-208-010		S-SCREW, EH	54	82-ZM1-207-810		GUIDE TAPE
15	86-ZM3-203-010		HLDR, MOTS	55	82-ZM1-213-010		SPR-T, HEAD
16	82-ZM1-245-210		HLDR, IC	56	82-ZM1-210-110		GEAR, HT
17	82-ZM1-218-010		SPR-E, HB	57	86-ZM4-206-010		S-SCREW AZIMUTH L
18	86-ZM3-214-010		BELT, SUB RR	58	82-ZM1-348-010		FLY-WHL, LW
19	82-ZM1-222-210		LVR, PLAY	59	82-ZM3-339-010		SHAFT, COUPLER N3
20	82-ZM1-217-410		REEL TABLE	60	82-ZM3-335-210		PULLEY, COUPLER M3
21	82-ZM1-244-510		SPR-C, BT	61	86-ZM1-206-010		BELT, MAIN L
22	82-ZM1-285-410		SPR-C, BT L	62	82-ZM1-266-110		LVR, DIR
23	82-ZM1-257-010		SPR-T, CAS	63	82-ZM1-214-010		SPR-T, DIR
24	82-ZM3-221-010		PULLEY, MOT 2M	A	87-251-071-410		U+2.6-4
25	82-ZM1-242-010		LVR, CAS	B	80-ZM6-243-010		SH, 1.75-3.6-0.5 SLT
26	82-ZM1-243-010		LVR, STOP	C	82-ZM3-334-010		PW, 2.16-6-0.4
27	82-ZM1-344-110		LVR ASSY, PINCH	D	80-ZM6-207-010		V+1.6-7
28	86-ZM3-204-010		SPR-T, PINCHDS	E	85-ZM3-202-010		S-SCREW TG
29	82-ZM1-240-110		LVR, REC (DECK 2)	F	82-ZM1-288-010		SH, 1.63-3.2-0.5 SLT
30	86-ZM3-210-010		BELT, RS	G	87-B10-043-010		W-P, 0.99-4-0.25 SLT
32	82-ZM3-305-110		GEAR, CAM M2	H	87-571-032-410		VIT+2-3
33	82-ZM1-227-310		LVR, TRIG				
34	82-ZM3-306-110		LVR, FR M2				
35	82-ZM1-265-110		SPR-E, TRIG				
36	87-761-073-410		VFT2+2.6-6 W/O SLOT				
37	82-ZM1-255-310		SPR-E, LVR DIR				
38	82-ZM1-322-010		SPR-T, FR60				
39	82-ZM1-220-210		GEAR, IDLER				
40	82-ZM3-616-010		RING MAGNET 4				

SPEAKER DISASSEMBLY INSTRUCTIONS

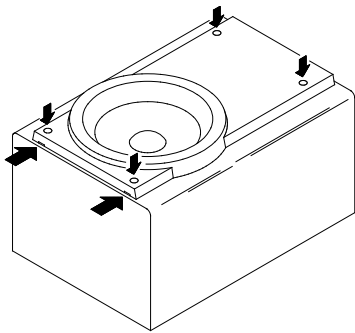
Type.1

Insert a flat-bladed screwdriver into the position indicated by the arrows and remove the panel. Remove the screws of each speaker unit and then remove the speaker units.



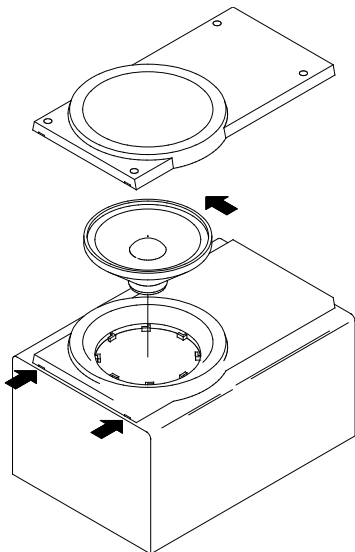
Type.2

Remove the grill frame and four pieces of rubber caps by pulling out with a flat-bladed screwdriver. Remove the screws from hole where installed rubber caps. Insert a flat-bladed screwdriver into the position indicated by the arrows and remove the panel. Remove the screws of each speaker unit and then remove the speaker units.

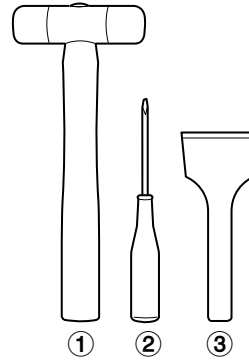


Type.3

Insert a flat-bladed screwdriver into the position indicated by the arrows and remove the panel. Turn the speaker unit to counter-clockwise direction while inserting a flat-bladed screwdriver into one of the hollows around speaker unit, and then remove the speaker unit. After replacing the speaker unit, install it turning to clockwise direction until "click" sound comes out.



Type.4



TOOLS

- ① Plastic head hammer
- ② (⊖) flat head screwdriver
- ③ Cut chisel

How to Remove the PANEL, FR

1. Insert the (⊖) flat head screwdriver tip into the gap between the PANEL, FR and the PANEL, SPKR. Tap the head of the (⊖) flat head screwdriver with the plastic hammer head, and create the clearance as shown in Fig-1.
2. Insert the cut chisel in the clearance, and tap the head of the cut chisel with plastic hammer as shown in Fig-2, to remove the PANEL, FR.
3. Place the speaker horizontally. Tap head of the cut chisel with plastic hammer as shown in Fig-3, and remove the PANEL, FR completely.

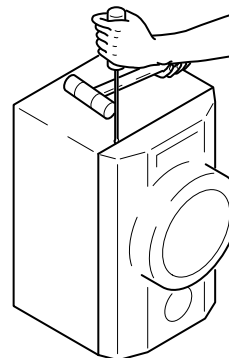


Fig-1

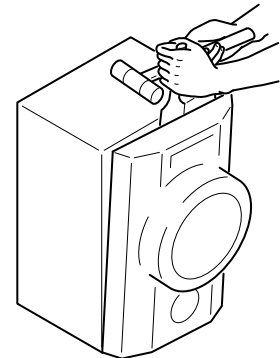


Fig-2

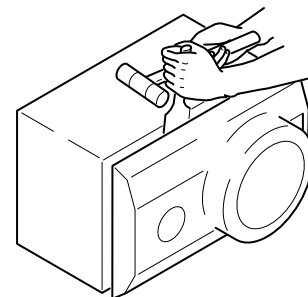


Fig-3

How to Attach the PANEL, FR

Attach the PANEL, FR to the PANEL, SPKR. Tap the four corners of the PANEL, FR with the plastic hammer to fit the PANEL, FR into the PANEL, SPKR completely.

**SPEAKER PARTS LIST
(SX-WNAJ50) <YLSL, YUSC9>**

REF. NO.	PART NO.	KANRI NO.	DESCRIPTION
1	8A-DS8-001-010		PANEL, FR<YLSL>
1	8A-NS8-009-010		PANEL, FR U<YLSL>
2	8A-DS8-004-010		PANEL, DUCT
3	8A-NSA-003-010		GILLE, FRAME ASSY<YUSL>
3	8A-NS8-006-010		GILLE, FRAME ASSY U<YUSC9>
4	8A-NSJ-006-010		BADGE, AIWA S35
5	8A-DS8-009-010		PROTECTOR
6	88-NS5-610-010		CORD, SPKR
7	88-NS5-611-010		CORD, SPKR B/L
8	8Z-NSY-003-010		CORD, BUSH
9	88-NS3-029-010		CORD, BUSH L
10	8Z-NS7-602-010		SPKR, W 160
11	8Z-NSY-604-010		SPKR, M 100<YUSL>
11	8A-NS8-604-010		SPKR, M 100<YUSC9>
12	8Z-NSY-608-010		SPKR, CERAMIC ASSY

SX-CR677 <YSTC>

NOTE: This SX-CR677 speaker contains SX-C607 (center speaker) and SX-R277 (rear speaker).

REF. NO.	PART NO.	KANRI NO.	DESCRIPTION
1	8Z-YS1-002-010		GILLE, FRAME ASSY<277>
2	81-VSA-009-010		CORD, BUSH<277>
3	87-010-384-010		CAP, E 100-25 M SME<277>
4	87-YS6-002-010		SPKR, CORD Y<277>
5	8Z-YS1-601-010		SPKR, 100<277>
6	87-YS7-012-010		PANEL, FR S<607>
7	81-VSA-009-010		CORD, BUSH<607>
8	87-YS3-003-010		GRILLE, FRAME ASSY<607>
9	83-NSM-010-010		SPKR, CORD<607>
10	87-YS7-602-010		SPKR, 100<607>

SX-C605 <YUSTNC, YUSTNL>

REF. NO.	PART NO.	KANRI NO.	DESCRIPTION
1	87-YS3-001-010		PANEL, FR ST
2	87-YS3-002-010		PANEL, REAR ST
3	81-VSA-009-010		CORD, BUSH
4	87-YS3-003-010		GILLE, FRAME ASSY
5	83-NSM-010-010		CORD, SPKR
6	87-YS7-602-010		SPKR, 100<YUSTNC>
6	87-YS7-604-010		SPKR, 100<YUSTNL>
7	87-YS7-903-010		IB, YU (ESF) 0<YUSTNC>

SX-NDP54 <YBL>

REF. NO.	PART NO.	KANRI NO.	DESCRIPTION
1	8A-NSV-001-010		PANEL, FR R
2	8A-NSV-002-010		PANEL, FR L
3	8A-NSV-004-010		GRILLE, FRAME ASSY R
4	8A-NSV-008-010		GRILLE, FRAME ASSY L
5	8A-NSV-012-010		PROTECTOR, TW
6	8Z-CL5-543-010		CORD, SP
7	87-NSS-602-010		SPKR, W 160
8	88-SSM-603-010		SPKR, TW 60

SX-R275 <YUSTNC, YUSTNL, YUSTNP>

REF. NO.	PART NO.	KANRI NO.	DESCRIPTION
1	87-YS1-001-010		PANEL, REAR
2	87-YS1-004-010		GILLE, FRAME ASSY
3	81-VSA-009-010		CORD, BUSH
4	87-010-384-010		CAP, E 100-25 M SME
5	87-YS6-002-010		CORD, SPKR Y
6	87-YS6-601-010		SPKR, 100
7	87-YS6-903-010		IB, YU (ESF) 0<YUSTNC>
7	87-YS6-904-010		IB, YU (ESF) P<YUSTNP>
7	87-YS6-913-010		IB, YU (ESF) T<YUSTNL>

SX-NSZ52 <YLSL>

REF. NO.	PART NO.	KANRI NO.	DESCRIPTION
1	8A-NSJ-001-010		PANEL, FR R
2	8A-NSJ-002-010		PANEL, FR L
3	8A-NSJ-003-010		GILLE, FRAME ASSY
4	87-NS7-611-010		CORD, SPKR
5	8A-NSJ-602-010		SPR, W 130
6	88-NS5-605-010		SPKR, T 60
7	88-MS1-608-010		SPKR, CERAMIC



アイワ株式会社 〒110-8710 東京都台東区池之端1-2-11 ☎03(3827)3111 (代表)
AIWA CO.,LTD. 2-11, IKENOHATA 1-CHOME, TAITO-KU, TOKYO 110, JAPAN TEL:03 (3827) 3111