

aiwa



NSX-K182

COMPACT DISC / STEREO
CASSETTE RECEIVER

• TYPE: HR

SIMPLE MANUAL

- Replace this Service Manual with "Revision Publishing" when it is issued.

S/M Code No. 09-99C-414-4T3

SERVICE MANUAL

ELECTRICAL MAIN PARTS LIST - 1/5

NOTE: The characters in the suffix column indicate the part usage.

HR	REF.NO	PARTS NO.	DESCRIPTION	SUFFIX
	*	8Z-NFA-204-010	GUIDE,FL 100-25	A.....
	C	104 87-010-246-040	CAP,E 47-35 SME	A.....
	C	103 87-015-699-040	CAP,E 10-50 7L	A.....
	C	105 87-018-205-080	CAP, CERA-SOL 0.022	A.....
	C	102 87-A11-147-080	CAP,TC U 0.047-50 Z F	A.....
	C	101 87-A11-147-080	CAP,TC U 0.047-50 Z F	A.....
	C	119 87-010-401-040	CAP,E 1-50 SME	A.....
	C	116 87-018-128-080	CAP, CERA-SOL SS 560P	A.....
	C	112 87-018-131-080	CAP, CER 1000P-50V	A.....
	C	117 87-018-131-080	CAP, CER 1000P-50V	A.....
	C	118 87-018-147-080	CAP,TC-U 10P-50 CH	A.....
	C	114 87-018-205-080	CAP, CERA-SOL 0.022	A.....
	C	110 87-018-205-080	CAP, CERA-SOL 0.022	A.....
	C	113 87-018-205-080	CAP, CERA-SOL 0.022	A.....
	C	115 87-018-205-080	CAP, CERA-SOL 0.022	A.....
	C	111 87-A11-155-080	CAP,TC U 0.01-16 Z F	A.....
	C	121 87-010-248-040	CAP,E 220-10 SME	A.....
	C	122 87-010-378-040	CAP,E 10-16	A.....
	C	120 87-018-205-080	CAP, CERA-SOL 0.022	A.....
	C	123 87-A11-147-080	CAP,TC U 0.047-50 Z F	A.....
	C	124 87-A11-152-080	CAP,TC U 1000P-50 Z F	A.....
	C	208 87-018-117-080	CAP,TC-U 68P-50 SL	A.....
	C	209 87-018-117-080	CAP,TC-U 68P-50 SL	A.....
	C	205 87-018-117-080	CAP,TC-U 68P-50 SL	A.....
	C	202 87-018-117-080	CAP,TC-U 68P-50 SL	A.....
	C	201 87-018-118-080	CAP,TC-U 82P-50 B	A.....
	C	214 87-010-404-040	CAP,E 4.7-50 SME	A.....
	C	213 87-010-421-040	CAP,E 4.7-50 5L	A.....
	C	210 87-018-117-080	CAP,TC-U 68P-50 SL	A.....
	C	211 87-A11-147-080	CAP,TC U 0.047-50 Z F	A.....
	C	301 87-A11-148-080	CAP,TC U 0.1-50 Z F	A.....
	C	701 87-010-384-040	CAP,E 100-25 SME	A.....
	C	702 87-A11-155-080	CAP,TC U 0.01-16 Z F	A.....
	C	802 87-018-131-080	CAP, CER 1000P-50V	A.....
	CN	101 88-NF9-658-010	CONN,30P BLK TYK-B(P)	A.....
	CN	701 87-A60-674-010	CONN,10P H 2MM JMT	A.....
	CN	801 87-099-015-010	CONN,13P 6216V	A.....
	D	103 87-017-932-080	ZENER,MTJ6.2B	A.....
	D	107 87-020-465-080	DIODE,1SS133 (110MA)	A.....
	D	104 87-020-465-080	DIODE,1SS133 (110MA)	A.....
	D	105 87-020-465-080	DIODE,1SS133 (110MA)	A.....
	D	102 87-020-465-080	DIODE,1SS133 (110MA)	A.....
	D	108 87-020-465-080	DIODE,1SS133 (110MA)	A.....
	D	105 87-A40-291-080	DIODE,1N4148 (CPT)
	D	108 87-A40-291-080	DIODE,1N4148 (CPT)
	D	104 87-A40-291-080	DIODE,1N4148 (CPT)
	D	107 87-A40-291-080	DIODE,1N4148 (CPT)
	D	102 87-A40-291-080	DIODE,1N4148 (CPT)
	D	302 87-020-465-080	DIODE,1SS133 (110MA)	A.....
	D	302 87-A40-291-080	DIODE,1N4148 (CPT)
	D	803 87-020-465-080	DIODE,1SS133 (110MA)	A.....
	D	802 87-020-465-080	DIODE,1SS133 (110MA)	A.....
	D	803 87-A40-291-080	DIODE,1N4148 (CPT)
	D	802 87-A40-291-080	DIODE,1N4148 (CPT)
	FL	201 8Z-NFA-630-010	FL,10-BT-207GAK	A.....
	IC	102 87-A21-218-010	IC,NJL64H380A	A.....
	IC	101 8Z-NHA-601-010	C-IC,M38B57MCH-P225FP	A.....
	L	101 87-A50-050-010	COIL,CLK 4.19M(COI)	A.....
	Q	101 87-026-610-080	TR,KTC3198GR	A.....
	Q	102 87-A30-090-080	FET,2SK2541	A.....
	Q	701 87-A30-234-080	TR,CSC4115BC	A.....
	S	101 87-A90-535-010	SW,RTRY EC16B24304	A.....
	S	301 87-A90-164-080	SW,TACT SKQAB(N)	A.....
	S	308 87-A90-164-080	SW,TACT SKQAB(N)	A.....
	S	302 87-A90-164-080	SW,TACT SKQAB(N)	A.....
	S	309 87-A90-164-080	SW,TACT SKQAB(N)	A.....
	S	304 87-A90-164-080	SW,TACT SKQAB(N)	A.....
	S	303 87-A90-164-080	SW,TACT SKQAB(N)	A.....
	S	307 87-A90-164-080	SW,TACT SKQAB(N)	A.....
	S	306 87-A90-164-080	SW,TACT SKQAB(N)	A.....
	S	305 87-A90-164-080	SW,TACT SKQAB(N)	A.....
	S	310 87-A90-164-080	SW,TACT SKQAB(N)	A.....
	S	311 87-A90-164-080	SW,TACT SKQAB(N)	A.....
	S	312 87-A90-164-080	SW,TACT SKQAB(N)	A.....
	S	321 87-A90-164-080	SW,TACT SKQAB(N)	A.....
	S	328 87-A90-164-080	SW,TACT SKQAB(N)	A.....
	S	329 87-A90-164-080	SW,TACT SKQAB(N)	A.....
	S	323 87-A90-164-080	SW,TACT SKQAB(N)	A.....
	S	322 87-A90-164-080	SW,TACT SKQAB(N)	A.....
	S	325 87-A90-164-080	SW,TACT SKQAB(N)	A.....
	S	327 87-A90-164-080	SW,TACT SKQAB(N)	A.....
	S	326 87-A90-164-080	SW,TACT SKQAB(N)	A.....
	S	324 87-A90-164-080	SW,TACT SKQAB(N)	A.....
	S	330 87-A90-164-080	SW,TACT SKQAB(N)	A.....
	SFR	701 87-024-350-080	SFR 2.2K DIA 6H	A.....
	C	402 87-010-060-040	CAP,E 100-16	A.....

ELECTRICAL MAIN PARTS LIST - 2/5

C	409	87-010-378-040	CAP,E 10-16	A.....
C	403	87-015-692-040	E/CAP 0.22-50V TAPG	A.....
C	407	87-015-699-040	CAP,E 10-50 7L	A.....
C	404	87-018-117-080	CAP,TC-U 68P-50 SL	A.....
C	408	87-018-118-080	CAP,TC-U 82P-50 B	A.....
C	406	87-A11-148-080	CAP,TC U 0.1-50 Z F	A.....
C	401	87-A11-154-080	CAP,TC U 4700P-16 Z F	A.....
C	413	87-018-131-080	CAP, CER 1000P-50V	A.....
C	410	87-A11-147-080	CAP,TC U 0.047-50 Z F	A.....
EMI	401	87-008-372-080	FILTER, EMI BL OIRNI	A.....
J	401	87-A60-651-010	JACK, 3.5MONO	A.....
Q	404	87-026-609-080	TR, KTA1266GR	A.....
Q	402	87-026-609-080	TR, KTA1266GR	A.....
Q	406	87-026-610-080	TR, KTC3198GR	A.....
Q	403	87-026-610-080	TR, KTC3198GR	A.....
Q	401	87-026-610-080	TR, KTC3198GR	A.....
Q	405	87-A30-090-080	FET, 2SK2541	A.....
VR	401	87-NB7-602-010	VR, RTRY 10KAX1 1 V	A.....
WH	101	87-A90-459-010	HLDR, WIRE 2.5-5P	A.....
C	106	87-010-246-080	CAP, ELECT 47-35V	A.....
C	108	87-010-381-080	CAP, ELECT 330-16V	A.....
C	107	87-010-384-080	CAP, ELECT 100-25V	A.....
C	103	87-016-051-000	CAP,E 2200-35 M SMG	A.....
C	105	87-018-127-080	CAP, CER 470P-50V	A.....
C	101	87-A10-520-000	CAP,E 3300-35 M SMG	A.....
C	111	87-010-247-080	CAP, ELECT 100-50V	A.....
C	112	87-010-263-080	CAP, ELECT 100-10V	A.....
C	114	87-010-374-080	CAP, ELECT 47-10V	A.....
C	113	87-010-403-080	CAP, ELECT 3.3-50V	A.....
C	115	87-A10-303-080	CAP,M 0.047-50 J	A.....
C	116	87-A10-303-080	CAP,M 0.047-50 J	A.....
C	123	87-010-407-080	CAP, ELECT 33-50V	A.....
C	122	87-010-407-080	CAP, ELECT 33-50V	A.....
C	124	87-A11-132-080	CAP,TC U 0.01-50 K B	A.....
D	109	87-020-465-080	DIODE, 1SS133 (110MA)	A.....
D	108	87-020-465-080	DIODE, 1SS133 (110MA)	A.....
D	109	87-A40-291-080	DIODE, 1N4148 (CPT)	A.....
D	108	87-A40-291-080	DIODE, 1N4148 (CPT)	A.....
D	107	87-A40-336-080	ZENER, MTZJ27D T-72	A.....
D	102	87-A40-393-090	DIODE, 1N5402GW (F20)	A.....
D	103	87-A40-393-090	DIODE, 1N5402GW (F20)	A.....
D	104	87-A40-393-090	DIODE, 1N5402GW (F20)	A.....
D	101	87-A40-393-090	DIODE, 1N5402GW (F20)	A.....
D	113	87-020-465-080	DIODE, 1SS133 (110MA)	A.....
D	113	87-A40-291-080	DIODE, 1N4148 (CPT)	A.....
D	110	87-A40-345-080	ZENER, MTZJ10C	A.....
D	117	87-A40-553-080	DIODE, 1N4003 LES	A.....
D	116	87-A40-553-080	DIODE, 1N4003 LES	A.....
Q	108	87-026-609-080	TR, KTA1266GR	A.....
Q	105	87-026-609-080	TR, KTA1266GR	A.....
Q	106	87-026-610-080	TR, KTC3198GR	A.....
Q	102	87-026-610-080	TR, KTC3198GR	A.....
Q	109	87-026-610-080	TR, KTC3198GR	A.....
Q	103	87-026-610-080	TR, KTC3198GR	A.....
Q	107	87-026-610-080	TR, KTC3198GR	A.....
Q	104	87-A30-234-080	TR, CSC4115BC	A.....
Q	115	87-026-219-080	TR, DTA144ES (0.3W)	A.....
Q	112	87-026-269-080	TR, DTA114ES	A.....
Q	110	87-026-609-080	TR, KTA1266GR	A.....
Q	111	89-213-702-010	TR, 2SB1370 (1.8W)	A.....
RY	101	87-045-389-010	RELAY, OSA-SS-212DM5	A.....
W	101	83-NE2-618-110	F-CABEL, 5P-2.5	A.....
WH	102	87-A90-459-010	HLDR, WIRE 2.5-5P	A.....
		87-067-001-010	FW, 3.1-5.4-1	A.....
		87-067-703-010	TAPPING SCREW, BVT2+3-10	A.....
C	207	87-010-545-080	CAP, ELECT 0.22-50V	A.....
C	208	87-010-545-080	CAP, ELECT 0.22-50V	A.....
C	209	87-A11-154-080	CAP,TC U 4700P-16 Z F	A.....
C	214	87-010-260-080	CAP, ELECT 47-25V	A.....
C	213	87-010-260-080	CAP, ELECT 47-25V	A.....
C	211	87-010-403-080	CAP, ELECT 3.3-50V	A.....
C	212	87-010-403-080	CAP, ELECT 3.3-50V	A.....
C	219	87-010-544-080	CAP, ELECT 0.1-50V	A.....
C	218	87-A10-304-080	CAP,M 0.056-50 J	A.....
C	217	87-A10-304-080	CAP,M 0.056-50 J	A.....
C	210	87-A11-154-080	CAP,TC U 4700P-16 Z F	A.....
C	220	87-010-544-080	CAP, ELECT 0.1-50V	A.....
C	229	87-018-123-080	CAP, CER 220P-50V	A.....
C	230	87-018-123-080	CAP, CER 220P-50V	A.....
C	235	87-A11-148-080	CAP,TC U 0.1-50 Z F	A.....
C	236	87-A11-148-080	CAP,TC U 0.1-50 Z F	A.....
C	237	87-A11-155-080	CAP,TC U 0.01-16 Z F	A.....
D	205	87-020-465-080	DIODE, 1SS133 (110MA)	A.....
D	209	87-020-465-080	DIODE, 1SS133 (110MA)	A.....
D	203	87-020-465-080	DIODE, 1SS133 (110MA)	A.....
D	201	87-020-465-080	DIODE, 1SS133 (110MA)	A.....
D	204	87-020-465-080	DIODE, 1SS133 (110MA)	A.....
D	202	87-020-465-080	DIODE, 1SS133 (110MA)	A.....
D	206	87-020-465-080	DIODE, 1SS133 (110MA)	A.....
D	206	87-A40-291-080	DIODE, 1N4148 (CPT)	A.....
D	204	87-A40-291-080	DIODE, 1N4148 (CPT)	A.....
D	209	87-A40-291-080	DIODE, 1N4148 (CPT)	A.....

ELECTRICAL MAIN PARTS LIST - 3/5

D	201	87-A40-291-080	DIODE,1N4148 (CPT)
D	205	87-A40-291-080	DIODE,1N4148 (CPT)
D	202	87-A40-291-080	DIODE,1N4148 (CPT)
D	203	87-A40-291-080	DIODE,1N4148 (CPT)
D	219	87-020-465-080	DIODE,1SS133 (110MA)	A.....
D	216	87-020-465-080	DIODE,1SS133 (110MA)	A.....
D	218	87-020-465-080	DIODE,1SS133 (110MA)	A.....
D	210	87-020-465-080	DIODE,1SS133 (110MA)	A.....
D	217	87-020-465-080	DIODE,1SS133 (110MA)	A.....
D	217	87-A40-291-080	DIODE,1N4148 (CPT)
D	219	87-A40-291-080	DIODE,1N4148 (CPT)
D	216	87-A40-291-080	DIODE,1N4148 (CPT)
D	218	87-A40-291-080	DIODE,1N4148 (CPT)
D	210	87-A40-291-080	DIODE,1N4148 (CPT)
D	221	87-020-465-080	DIODE,1SS133 (110MA)	A.....
D	222	87-020-465-080	DIODE,1SS133 (110MA)	A.....
D	220	87-020-465-080	DIODE,1SS133 (110MA)	A.....
D	222	87-A40-291-080	DIODE,1N4148 (CPT)
D	221	87-A40-291-080	DIODE,1N4148 (CPT)
D	220	87-A40-291-080	DIODE,1N4148 (CPT)
J	202	87-A60-238-010	TERMINAL,SP 4P (MSC)	A.....
J	201	87-A60-602-010	JACK,DIA6.3 BLK ST W/SW TC	A.....
L	201	87-003-383-010	COIL,1UH-S	A.....
L	202	87-003-383-010	COIL,1UH-S	A.....
Q	201	87-026-609-080	TR,KTA1266GR	A.....
Q	202	87-026-609-080	TR,KTA1266GR	A.....
Q	203	87-026-609-080	TR,KTA1266GR	A.....
Q	204	87-026-609-080	TR,KTA1266GR	A.....
Q	206	87-026-610-080	TR,KTC3198GR	A.....
Q	208	87-026-610-080	TR,KTC3198GR	A.....
Q	207	87-026-610-080	TR,KTC3198GR	A.....
Q	205	87-026-610-080	TR,KTC3198GR	A.....
Q	209	87-A30-190-080	TR,CC5551	A.....
Q	218	87-026-609-080	TR,KTA1266GR	A.....
Q	216	87-A30-190-080	TR,CC5551	A.....
Q	210	87-A30-190-080	TR,CC5551	A.....
Q	215	87-A30-190-080	TR,CC5551	A.....
Q	213	87-A30-255-010	TR,2SB1342	A.....
Q	214	87-A30-255-010	TR,2SB1342	A.....
Q	212	87-A30-256-010	TR,2SD1933	A.....
Q	211	87-A30-256-010	TR,2SD1933	A.....
R	224	87-A00-258-080	RES,M/F 0.22-1W J	A.....
R	223	87-A00-258-080	RES,M/F 0.22-1W J	A.....
R	249	87-A00-258-080	RES,M/F 0.22-1W J	A.....
R	250	87-A00-258-080	RES,M/F 0.22-1W J	A.....
C	308	87-010-263-080	CAP, ELECT 100-10V	A.....
C	307	87-010-263-080	CAP, ELECT 100-10V	A.....
C	301	87-018-195-080	CAP, CER 1200P-16V	A.....
C	302	87-018-195-080	CAP, CER 1200P-16V	A.....
C	303	87-018-195-080	CAP, CER 1200P-16V	A.....
C	304	87-018-195-080	CAP, CER 1200P-16V	A.....
C	315	87-010-374-080	CAP, ELECT 47-10V	A.....
C	317	87-010-546-080	CAP, ELECT 0.33-50V	A.....
C	318	87-010-546-080	CAP, ELECT 0.33-50V	A.....
C	311	87-A10-307-080	CAP,M 0.1-50 J	A.....
C	312	87-A10-307-080	CAP,M 0.1-50 J	A.....
C	326	87-018-205-080	CAP, CERA-SOL 0.022	A.....
C	327	87-A11-148-080	CAP,TC U 0.1-50 Z F	A.....
C	361	87-010-374-080	CAP, ELECT 47-10V	A.....
C	360	87-010-401-080	CAP, ELECT 1-50V	A.....
C	399	87-018-127-080	CAP, CER 470P-50V	A.....
C	401	87-010-545-080	CAP, ELECT 0.22-50V	A.....
C	402	87-010-545-080	CAP, ELECT 0.22-50V	A.....
C	403	87-018-118-080	CAP,TC-U 82P-50 B	A.....
C	404	87-018-118-080	CAP,TC-U 82P-50 B	A.....
C	412	87-010-405-080	CAP, ELECT 10-50V	A.....
C	411	87-010-405-080	CAP, ELECT 10-50V	A.....
C	452	87-010-382-080	CAP, ELECT 22-25V	A.....
C	459	87-018-128-080	CAP, CERA-SOL SS 560P	A.....
C	458	87-018-131-080	CAP, CER 1000P-50V	A.....
C	461	87-018-126-080	CAP,TC-U 390P-50 B	A.....
C	462	87-018-126-080	CAP,TC-U 390P-50 B	A.....
CN	301	87-A60-620-010	CONN,3P V 2MM JMT	A.....
CN	351	87-A60-625-010	CONN,8P V 2MM JMT	A.....
D	401	87-020-465-080	DIODE,1SS133 (110MA)	A.....
D	401	87-A40-291-080	DIODE,1N4148 (CPT)
IC	301	87-017-889-010	IC,NJM4558LD	A.....
IC	401	87-017-889-010	IC,NJM4558LD	A.....
L	451	87-007-342-010	COIL,OSC 85K BIAS	A.....
Q	306	87-026-218-080	TR,DTC144ES (0.2W)	A.....
Q	309	87-026-609-080	TR,KTA1266GR	A.....
Q	303	87-A30-090-080	FET,2SK2541	A.....
Q	304	87-A30-090-080	FET,2SK2541	A.....
Q	307	87-A30-091-080	FET,2SJ460	A.....
Q	308	87-A30-091-080	FET,2SJ460	A.....
Q	302	87-A30-091-080	FET,2SJ460	A.....
Q	305	87-A30-091-080	FET,2SJ460	A.....
Q	301	87-A30-091-080	FET,2SJ460	A.....
Q	310	87-026-609-080	TR,KTA1266GR	A.....
Q	443	87-026-609-080	TR,KTA1266GR	A.....
Q	444	87-026-609-080	TR,KTA1266GR	A.....
Q	451	87-026-610-080	TR,KTC3198GR	A.....

ELECTRICAL MAIN PARTS LIST - 4/5

QO	453	89-333-317-880	TR,2SC3331 (0.5W)	A.....
QO	454	89-333-317-880	TR,2SC3331 (0.5W)	A.....
C	602	87-018-195-080	CAP, CER 1200P-16V	A.....
C	601	87-018-195-080	CAP, CER 1200P-16V	A.....
C	617	87-010-260-080	CAP, ELECT 47-25V	A.....
C	616	87-010-260-080	CAP, ELECT 47-25V	A.....
C	613	87-010-545-080	CAP, ELECT 0.22-50V	A.....
C	611	87-010-545-080	CAP, ELECT 0.22-50V	A.....
C	614	87-010-545-080	CAP, ELECT 0.22-50V	A.....
C	612	87-010-545-080	CAP, ELECT 0.22-50V	A.....
C	615	87-018-104-080	CAP,TC-U 10P-50 SL	A.....
CN	602	87-099-194-010	CONN,6P 6216V	A.....
CN	601	88-NF9-657-010	CONN,30P H BLK TYK-B(X)	A.....
D	601	87-A40-466-080	ZENER,MTZJ2.7A	A.....
D	602	87-A40-466-080	ZENER,MTZJ2.7A	A.....
IC	601	87-A20-715-010	IC,M62439SP	A.....
J	601	87-A60-881-010	JACK,PIN 2P MSP 242V05 PBSN	A.....
C	707	87-010-112-080	CAP, ELECT 100-16V	A.....
C	709	87-010-248-080	CAP, ELECT 220-10V	A.....
C	701	87-010-404-080	CAP, ELECT 4.7-50V	A.....
C	705	87-018-131-080	CAP, CER 1000P-50V	A.....
C	704	87-018-131-080	CAP, CER 1000P-50V	A.....
C	706	87-018-131-080	CAP, CER 1000P-50V	A.....
C	708	87-A11-144-080	CAP,TC U 0.1-50 K B	A.....
C	703	87-A11-155-080	CAP,TC U 0.01-16 Z F	A.....
C	702	87-A11-155-080	CAP,TC U 0.01-16 Z F	A.....
C	710	87-010-112-080	CAP, ELECT 100-16V	A.....
C	714	87-010-112-080	CAP, ELECT 100-16V	A.....
C	715	87-018-119-080	CAP, CER 100P-50V	A.....
C	713	87-018-149-080	CAP,TC-U 15P-50 CH	A.....
C	712	87-018-149-080	CAP,TC-U 15P-50 CH	A.....
D	701	87-017-931-080	ZENER,MTZJ5.6B	A.....
IC	701	87-070-127-110	IC,LC72131 D	A.....
JW	706	87-005-849-080	COIL,10UH(CECS)	A.....
L	701	87-005-847-080	COIL,2.2UH(CECS)	A.....
Q	701	87-A30-234-080	TR,CSC4115BC	A.....
X	701	87-A70-061-010	VIB,XTAL 4.500MHZ CSA-309	A.....
C	746	87-A11-155-080	CAP,TC U 0.01-16 Z F	A.....
C	758	87-010-112-080	CAP, ELECT 100-16V	A.....
C	753	87-010-408-080	CAP, ELECT 47-50V	A.....
C	755	87-A11-144-080	CAP,TC U 0.1-50 K B	A.....
C	756	87-A11-155-080	CAP,TC U 0.01-16 Z F	A.....
C	757	87-A11-155-080	CAP,TC U 0.01-16 Z F	A.....
C	762	87-010-400-080	CAP, ELECT 0.47-50V	A.....
C	764	87-010-401-080	CAP, ELECT 1-50V	A.....
C	763	87-010-401-080	CAP, ELECT 1-50V	A.....
C	769	87-010-403-080	CAP, ELECT 3.3-50V	A.....
C	761	87-010-404-080	CAP, ELECT 4.7-50V	A.....
C	766	87-010-407-080	CAP, ELECT 33-50V	A.....
C	765	87-018-115-080	CAP, CER 47P-50V	A.....
C	768	87-A11-147-080	CAP,TC U 0.047-50 Z F	A.....
C	774	87-010-405-080	CAP, ELECT 10-50V	A.....
C	771	87-010-406-080	CAP, ELECT 22-50	A.....
C	773	87-018-130-080	CAP,TC-U 820P-50 B	A.....
C	776	87-A11-155-080	CAP,TC U 0.01-16 Z F	A.....
C	770	87-A11-155-080	CAP,TC U 0.01-16 Z F	A.....
C	789	87-010-403-080	CAP, ELECT 3.3-50V	A.....
C	786	87-010-405-080	CAP, ELECT 10-50V	A.....
C	785	87-010-405-080	CAP, ELECT 10-50V	A.....
C	788	87-018-196-080	CAP, CER 1500P-16V	A.....
C	787	87-018-196-080	CAP, CER 1500P-16V	A.....
C	784	87-018-199-080	CAP, CER 3300P	A.....
C	783	87-018-199-080	CAP, CER 3300P	A.....
C	790	87-010-403-080	CAP, ELECT 3.3-50V	A.....
D	751	87-020-465-080	DIODE,1SS133 (110MA)	A.....
D	751	87-A40-291-080	DIODE,1N4148 (CPT)	A.....
IC	751	87-A20-913-010	IC,LA1837NL	A.....
JW	766	87-005-849-080	COIL,10UH(CECS)	A.....
L	771	87-A50-266-010	COIL,FM DET-2N(TOK)	A.....
L	772	87-A90-052-010	FLTR,CFMT-450A(TOK)	A.....
X	751	87-030-354-010	VIB,CF BFU 450C	A.....
C	805	87-A11-144-080	CAP,TC U 0.1-50 K B	A.....
C	807	87-A11-144-080	CAP,TC U 0.1-50 K B	A.....
C	808	87-A11-155-080	CAP,TC U 0.01-16 Z F	A.....
C	813	87-018-131-080	CAP, CER 1000P-50V	A.....
C	901	87-A11-149-080	CAP,TC U 0.22-50 Z F	A.....
C	931	87-010-263-080	CAP, ELECT 100-10V	A.....
C	932	87-010-400-080	CAP, ELECT 0.47-50V	A.....
C	939	87-014-073-080	CAP,PP 4700P-100 J	A.....
C	937	87-A11-155-080	CAP,TC U 0.01-16 Z F	A.....
C	938	87-A11-155-080	CAP,TC U 0.01-16 Z F	A.....
C	934	87-A11-155-080	CAP,TC U 0.01-16 Z F	A.....
C	936	87-A11-155-080	CAP,TC U 0.01-16 Z F	A.....
C	935	87-A11-155-080	CAP,TC U 0.01-16 Z F	A.....
C	940	87-014-051-080	CAPACITOR (PP), 560P	A.....
C	941	87-018-109-080	CAP, CER 22P-50V	A.....
C	943	87-A11-144-080	CAP,TC U 0.1-50 K B	A.....
CF	801	87-008-261-010	FILTER, SFE10.7MA5-A	A.....
D	941	87-020-465-080	DIODE,1SS133 (110MA)	A.....
D	941	87-A40-291-080	DIODE,1N4148 (CPT)	A.....
D	981	87-A40-618-080	VARI-CAP,SVC 348(S/T)	A.....
FFE	801	A8-8ZA-190-030	8ZA-1 FEUNM	A.....

ELECTRICAL MAIN PARTS LIST - 5/5

FFE	801	A8-8ZA-191-030	8ZA-1 YFEUNM	A.....
FFE	801	A8-8ZA-192-070	8ZA-1 FEUNC
J	801	87-A60-202-010	TERMINAL, ANT 4P MSP-154V-02	A.....
J	931	87-A60-633-010	CONN, 2P H 2.5MM JMT	A.....
JW	957	87-005-849-080	COIL, 10UH (CECS)	A.....
L	801	87-005-847-080	COIL, 2.2UH (CECS)	A.....
L	934	87-005-372-080	COIL S 1MHM	A.....
L	933	87-A50-159-010	COIL, 10MH K C2B	A.....
L	941	87-A50-022-010	COIL, ANT SW (COI)	A.....
L	942	87-A50-173-010	COIL, OSC SW-N (COI)	A.....
L	983	87-A50-430-010	COIL, ANT MW (3BSW)	A.....
L	982	87-A50-431-010	COIL, OSC MW (3BSW)	A.....
Q	801	87-026-214-080	TR, DTA114YS (0.3W)	A.....
Q	802	87-026-214-080	TR, DTA114YS (0.3W)	A.....
Q	939	87-026-609-080	TR, KTA1266GR	A.....
Q	938	87-026-609-080	TR, KTA1266GR	A.....
Q	934	87-026-610-080	TR, KTC3198GR	A.....
Q	932	87-026-610-080	TR, KTC3198GR	A.....
Q	937	87-026-610-080	TR, KTC3198GR	A.....
Q	935	87-A30-092-080	FET, 2SK439E/F	A.....
Q	936	87-A30-164-080	TR, CSC2001K	A.....
Q	933	87-A30-164-080	TR, CSC2001K	A.....
Q	931	87-A30-164-080	TR, CSC2001K	A.....
Q	940	87-026-269-080	TR, DTA114ES	A.....
Q	941	87-026-269-080	TR, DTA114ES	A.....
TC	941	87-011-220-080	TRIMMER CAP 20P VTC	A.....
TC	943	87-011-221-080	CAP, TRIMMER 30P	A.....
FC	101	87-033-147-010	FUSE CLAMP	A.....
FC	102	87-033-147-010	FUSE CLAMP	A.....
SW	101	87-A90-165-010	SW, SL 1-2-3 SWS2301	A.....
T	101	87-A60-317-010	TERMINAL, 1P MSC	A.....
T	102	87-A60-317-010	TERMINAL, 1P MSC	A.....
C	502	87-010-263-040	CAP, E 100-10	A.....
C	506	87-010-382-040	CAP, E 22-25 SME	A.....
C	508	87-010-400-040	CAP, E 0.47-50	A.....
C	505	87-015-691-040	CAP, E 0.1-50 SRA	A.....
C	509	87-A11-126-080	CAP, TC U 3300P-50 K B	A.....
C	504	87-A11-128-080	CAP, TC U 4700P-50 K B	A.....
C	501	87-A11-155-080	CAP, TC U 0.01-16 Z F	A.....
C	507	88-710-849-810	CAP, M 0.033-50 J TFL ECQV	A.....
C	503	88-710-849-810	CAP, M 0.033-50 J TFL ECQV	A.....
C	511	87-015-694-040	E/CAP 0.47-50	A.....
C	510	87-A11-132-080	CAP, TC U 0.01-50 K B	A.....
C	512	87-A11-133-080	CAP, TC U 0.012-50 K B	A.....
D	501	87-A40-002-080	ZENER, MTZJ5.1C	A.....
IC	501	87-A21-118-040	C-IC, M65855FP	A.....

MECHANICAL PARTS LIST - 1/1

NOTE: The characters in the suffix column indicate the part usage.

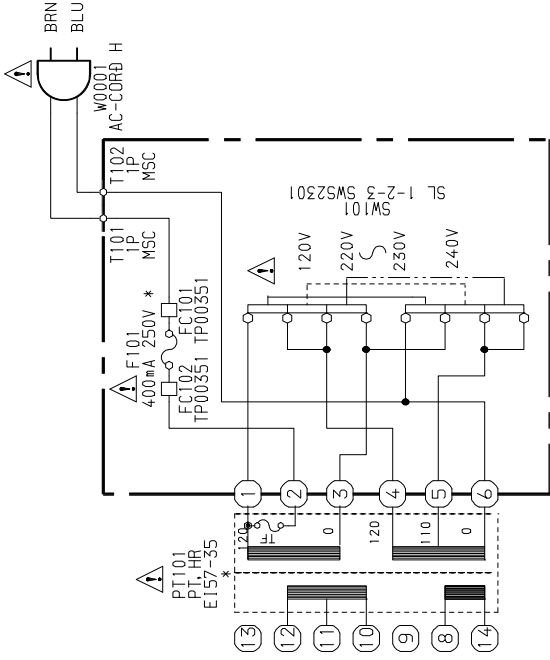
REF.NO	PARTS NO.	DESCRIPTION	SUFFIX
HR	XX.....	A.....
		KANRI	
		NO.	
	82-NE6-067-010	BADGE,AIWA 30N	A.....
	8Z-NFA-003-010	BOX,CASS 1	A.....
	8Z-NFA-004-010	BOX,CASS 2	A.....
	8Z-NFA-005-110	PANEL, TOP	A.....
	8Z-NFA-018-110	PANEL, LEFT V-2	A.....
	8Z-NFA-020-110	PANEL, RIGHT S V-2	A.....
	8Z-NHA-001-110	CABI, FR H	A.....
	8Z-NHA-002-010	PANEL, TRAY	A.....
	8Z-NHA-011-110	CABI, REAR HRJSTM
	8Z-NHA-012-110	CABI, REAR HCSTC
	8Z-NHA-013-010	CABI, REAR HR W/O SPC	A.....
	87-NB8-017-010	KNOB, RTRY MIC	A.....
	8Z-NFA-010-010	KEY, FUN	A.....
	8Z-NFA-011-010	KEY, OPE	A.....
	8Z-NFA-012-010	KEY, CD
	8Z-NFA-013-110	KEY, CASS 1	A.....
	8Z-NFA-014-110	KEY, CASS 2P	A.....
	8Z-NFA-017-010	KNOB, RTRY VOL	A.....
	8Z-NFA-100-010	COVER, MIC	A.....
	8Z-NFA-108-010	KEY, CD 2	A.....
	8Z-NHA-004-010	KEY, PBC	A.....
	8Z-NFA-008-010	WINDOW, CASS 1	A.....
	8Z-NFA-009-010	WINDOW, CASS 2	A.....
	8Z-NHA-003-010	WINDOW, DISP H
	8Z-NHA-010-010	WINDOW, DISP H182	A.....
	88-NF9-633-010	CONN ASSY, 3P (PH)
	88-NF9-634-010	CONN ASSY, 8P RPB
	88-NF9-635-010	CONN ASSY, 10P MECHA
	82-NF7-218-010	SPR-T, CASS	A.....
	85-NF7-599-010	PVC W 3.2-8-0.3	A.....
	86-NFZ-231-010	DMPR, 70	A.....
	87-NF4-221-010	HLDR, CABLE	A.....
	8Z-NB8-240-010	COVER, PL	A.....
	87-067-641-010	UTT2+3-8 (W/O SLOT) BL	A.....
	87-067-688-010	BVTT+3-6	A.....
	87-067-703-010	TAPPING SCREW, BVT2+3-10	A.....
	87-078-191-010	S-SCREW, IT+4-10	A.....
	87-721-096-410	QT2+3-10 GLD	A.....
	87-721-097-410	QT2+3-12 GLD	A.....
	87-NF4-224-010	S-SCREW, IT3B+3-8 CU	A.....
	87-085-184-010	BUSHING, AC CORD (D)
	87-085-185-010	BUSHING, AC CORD (E)	A.....
	88-906-251-110	FF-CABLE, 6P 1.25	A.....
	88-913-221-110	FF-CABLE, 13P 1.25 220MM	A.....
	8Z-NHA-702-010	RC UNIT, RC-ZAS11
F	101	87-A91-211-010	FUSE, 800MA 250V T 50T
PT	101	8Z-NHA-623-010	PT, HR EI66-45 ZNH-A
W	1	87-050-079-010	AC-CORD ASSY, E
W	1	87-050-097-010	AC CORD ASSY, H
W	1	87-A80-083-010	AC CORD, HC BLK
WH	101	87-A90-459-010	HLDR, WIRE 2.5-5P
W	101	83-NE2-618-110	F-CABEL, 5P-2.5
WH	102	87-A90-459-010	HLDR, WIRE 2.5-5P
		87-067-001-010	FW, 3.1-5.4-1
		87-067-703-010	TAPPING SCREW, BVT2+3-10

ACCESSORIES / PACKAGE LIST - 1/1

NOTE: The characters in the suffix column indicate the part usage.

REF.NO	PARTS NO.	KANRI NO.	DESCRIPTION	SUFFIX
		XX		A
	8Z-NHA-901-010		IB,H(EC-H)M
	8Z-NHA-911-010		IB,H(EC-K)S
	8Z-NHA-919-010		IB,H(T)DIT -182	A.....
	8Z-NHA-920-010		IB,H(T)DIT
	87-043-115-010		ANT,FEEDER FM	A.....
	87-050-103-010		CORD,PIN 1PY1.5M	A.....
	87-A90-054-010		ANT,LOOP AM-CON C	A.....
	87-A90-119-010		ANT,WIRE SW(5M)	A.....
	87-A91-015-010		PLUG,CONVERSION JT-0475A
	87-A91-017-010		PLUG,CONVERSION JT-0476	A.....
	8Z-NHA-702-010		RC UNIT,RC-ZAS11	A.....

SCHEMATIC DIAGRAM -- 3 (PT)



S-TAKE S-TAKE
 (AC SW)
 SCHEMATIC DIAGRAM
 NF9 605 01
 8Z NFA 615 01
 QC-88NFA-

ZNF-10 LH
 CX-NS111
 20 APR 1999



サービス技術ニュース	
番号	連絡内容
G-	-
G-	-
G-	-

アイワ株式会社
AIWA CO.,LTD.

9920588

Tokyo Japan