

# aiwa



## NSX-K580

---

COMPACT DISC STEREO SYSTEM

---

- BASIC TAPE MECHANISM: 2ZM-3MK2 PR4NM
- BASIC CD MECHANISM: 4ZG-1 VOS1RDSHM
- TYPE: HR

SIMPLE MANUAL

- Replace this Service Manual with "Revision Publishing" when it is issued.

S/M Code No. 09-98C-406-6T1

MANUAL  
SERVICE

# ELECTRICAL PARTS LIST-1/7

NOTE: The characters in the suffix column indicate the part usage.

HRJ8STM .....XX.....A.  
 HRJ5TM .....XX.....B.  
 HRJ7STM .....XX.....C.

REF.NO	PARTS NO.	KANRI NO.	DESCRIPTION	SUFFIX
C	503	87-010-112-040	CAP,E 100-16	ABC.....
C	502	87-010-186-080	CAP,CHIP 4700P	ABC.....
C	506	87-010-320-080	CHIP CAP 68P	ABC.....
C	504	87-010-405-040	CAP,E 10-50	ABC.....
C	505	87-010-546-040	CAP,E 0.33-50	ABC.....
J	501	87-A60-651-010	JACK, 3.5MONO	ABC.....
Q	504	87-A30-075-080	C-TR,2SA1235F	ABC.....
Q	503	87-A30-076-080	C-TR,2SC3052F	ABC.....
Q	502	87-A30-076-080	C-TR,2SC3052F	ABC.....
Q	501	87-A30-087-080	C-FET,2SK2158	ABC.....
C	1	87-010-387-080	CAP,E 470-25 SME	ABC.....
C	8	87-A10-520-090	CAP,E 3300-35 M SMG	ABC.....
C	9	87-A10-520-090	CAP,E 3300-35 M SMG	ABC.....
C	6	87-A11-148-080	CAP,TC U 0.1-50 Z F	ABC.....
C	4	87-A11-148-080	CAP,TC U 0.1-50 Z F	ABC.....
C	5	87-A11-148-080	CAP,TC U 0.1-50 Z F	ABC.....
C	3	87-A11-148-080	CAP,TC U 0.1-50 Z F	ABC.....
C	31	87-010-403-080	CAP, ELECT 3.3-50V	ABC.....
CN	1	87-A60-851-010	CONN,9P V VH	ABC.....
D	6	87-017-447-010	DIODE,GBU4DL	ABC.....
D	3	87-020-465-080	DIODE,1SS133 (110MA)	ABC.....
D	2	87-020-465-080	DIODE,1SS133 (110MA)	ABC.....
D	4	87-020-465-080	DIODE,1SS133 (110MA)	ABC.....
D	5	87-020-465-080	DIODE,1SS133 (110MA)	ABC.....
D	1	87-020-465-080	DIODE,1SS133 (110MA)	ABC.....
D	31	87-020-465-080	DIODE,1SS133 (110MA)	ABC.....
D	32	87-020-465-080	DIODE,1SS133 (110MA)	ABC.....
PT	2	8Z-NF8-663-010	PT,SUB ZNF-8 (H)	ABC.....
Q	31	87-026-245-080	TR,DTC114ES	ABC.....
Q	32	87-A30-198-080	TR,KTC3199GR	ABC.....
RY	1	87-A91-281-010	RELAY,AC DC12V OSA-SS-212DM5	ABC.....
S	1	87-A90-165-010	SW,SL 1-2-3 SWS2301	ABC.....
T	2	87-A60-317-010	TERMINAL, 1P MSC	ABC.....
T	1	87-A60-317-010	TERMINAL, 1P MSC	ABC.....
		8Z-NF8-201-010	GUIDE,OPE	ABC.....
		8Z-NF8-202-010	GUIDE,FUN	ABC.....
C	205	87-010-322-080	C-CAP,S 100P-50 CH	ABC.....
C	202	87-010-322-080	C-CAP,S 100P-50 CH	ABC.....
C	203	87-010-322-080	C-CAP,S 100P-50 CH	ABC.....
C	207	87-010-322-080	C-CAP,S 100P-50 CH	ABC.....
C	208	87-010-322-080	C-CAP,S 100P-50 CH	ABC.....
C	204	87-010-322-080	C-CAP,S 100P-50 CH	ABC.....
C	209	87-010-322-080	C-CAP,S 100P-50 CH	ABC.....
C	206	87-010-322-080	C-CAP,S 100P-50 CH	ABC.....
C	201	87-012-156-080	C-CAP,S 220P-50 CH	ABC.....
C	211	87-010-322-080	C-CAP,S 100P-50 CH	ABC.....
C	210	87-010-322-080	C-CAP,S 100P-50 CH	ABC.....
C	254	87-010-194-080	CAP, CHIP 0.047	ABC.....
C	252	87-010-198-080	CAP, CHIP 0.022	ABC.....
C	259	87-015-699-040	CAP,E 10-50 7L	ABC.....
C	256	87-015-699-040	CAP,E 10-50 7L	ABC.....
C	251	87-015-699-040	CAP,E 10-50 7L	ABC.....
C	255	87-A10-797-040	CAP,E 47-35 M 5L SRM	ABC.....
C	262	87-010-196-080	CHIP CAPACITOR,0.1-25	ABC.....
C	260	87-010-198-080	CAP, CHIP 0.022	ABC.....
C	301	87-010-182-080	C-CAP,S 2200P-50 B	ABC.....
C	302	87-010-182-080	C-CAP,S 2200P-50 B	ABC.....
C	311	87-010-194-080	CAP, CHIP 0.047	ABC.....
C	314	87-010-194-080	CAP, CHIP 0.047	ABC.....
C	313	87-010-196-080	CHIP CAPACITOR,0.1-25	ABC.....
C	312	87-010-405-040	CAP,E 10-50	ABC.....
C	324	87-010-194-080	CAP, CHIP 0.047	ABC.....
C	321	87-010-196-080	CHIP CAPACITOR,0.1-25	ABC.....
C	325	87-010-263-040	CAP,E 100-10	ABC.....
C	322	87-015-694-040	E/CAP 0.47-50	ABC.....
C	323	87-016-459-040	CAP,E 470-10 SMG	ABC.....
C	332	87-010-178-080	CHIP CAP 1000P	ABC.....
C	336	87-010-196-080	CHIP CAPACITOR,0.1-25	ABC.....
C	337	87-010-196-080	CHIP CAPACITOR,0.1-25	ABC.....
C	331	87-010-196-080	CHIP CAPACITOR,0.1-25	ABC.....
C	334	87-010-312-080	C-CAP,S 15P-50 CH	ABC.....
C	335	87-012-140-080	CAP 470P	ABC.....
C	333	87-012-140-080	CAP 470P	ABC.....
C	338	87-012-155-080	C-CAP 180P-50CH	ABC.....
C	339	87-012-156-080	C-CAP,S 220P-50 CH	ABC.....
C	341	87-010-194-080	CAP, CHIP 0.047	ABC.....
C	340	87-010-197-080	CAP, CHIP 0.01 DM	ABC.....
C	351	87-010-382-040	CAP,E 22-25 SME	ABC.....
C	401	87-010-197-080	CAP, CHIP 0.01 DM	ABC.....
C	457	87-010-196-080	CHIP CAPACITOR,0.1-25	ABC.....
C	453	87-010-196-080	CHIP CAPACITOR,0.1-25	ABC.....
C	451	87-010-196-080	CHIP CAPACITOR,0.1-25	ABC.....
C	455	87-010-196-080	CHIP CAPACITOR,0.1-25	ABC.....
C	452	87-010-196-080	CHIP CAPACITOR,0.1-25	ABC.....
C	454	87-010-196-080	CHIP CAPACITOR,0.1-25	ABC.....

# ELECTRICAL PARTS LIST-2/7

C	456	87-012-158-080	C-CAP,S 390P-50 CH	ABC.....
C	601	87-010-196-080	CHIP CAPACITOR,0.1-25	ABC.....
C	602	87-010-322-080	C-CAP,S 100P-50 CH	ABC.....
C	603	87-010-322-080	C-CAP,S 100P-50 CH	ABC.....
C	604	87-010-322-080	C-CAP,S 100P-50 CH	ABC.....
C	701	87-010-196-080	CHIP CAPACITOR,0.1-25	ABC.....
CON	102	87-099-015-010	CONN,13P 6216V	ABC.....
CON	101	88-NF9-658-010	CONN,30P BLK TYK-B(P)	ABC.....
CON	301	87-099-017-010	CONN,15P 6216 V	ABC.....
D	203	87-020-465-080	DIODE,1SS133 (110MA)	ABC.....
D	207	87-020-465-080	DIODE,1SS133 (110MA)	ABC.....
D	209	87-020-465-080	DIODE,1SS133 (110MA)	ABC.....
D	208	87-020-465-080	DIODE,1SS133 (110MA)	ABC.....
D	214	87-020-465-080	DIODE,1SS133 (110MA)	ABC.....
D	213	87-020-465-080	DIODE,1SS133 (110MA)	ABC.....
D	215	87-020-465-080	DIODE,1SS133 (110MA)	ABC.....
D	212	87-020-465-080	DIODE,1SS133 (110MA)	ABC.....
D	216	87-020-465-080	DIODE,1SS133 (110MA)	ABC.....
D	218	87-020-465-080	DIODE,1SS133 (110MA)	ABC.....
D	217	87-020-465-080	DIODE,1SS133 (110MA)	ABC.....
D	219	87-020-465-080	DIODE,1SS133 (110MA)	ABC.....
D	220	87-020-465-080	DIODE,1SS133 (110MA)	ABC.....
D	227	87-020-465-080	DIODE,1SS133 (110MA)	ABC.....
D	226	87-020-465-080	DIODE,1SS133 (110MA)	ABC.....
D	224	87-020-465-080	DIODE,1SS133 (110MA)	ABC.....
D	225	87-020-465-080	DIODE,1SS133 (110MA)	ABC.....
D	222	87-020-465-080	DIODE,1SS133 (110MA)	ABC.....
D	221	87-020-465-080	DIODE,1SS133 (110MA)	ABC.....
D	223	87-020-465-080	DIODE,1SS133 (110MA)	ABC.....
D	253	87-020-465-080	DIODE,1SS133 (110MA)	ABC.....
D	252	87-020-465-080	DIODE,1SS133 (110MA)	ABC.....
D	251	87-020-465-080	DIODE,1SS133 (110MA)	ABC.....
D	311	87-A40-509-080	ZENER,MTZJ6.8C	ABC.....
D	324	87-020-465-080	DIODE,1SS133 (110MA)	ABC.....
D	321	87-020-465-080	DIODE,1SS133 (110MA)	ABC.....
D	323	87-020-465-080	DIODE,1SS133 (110MA)	ABC.....
D	332	87-020-465-080	DIODE,1SS133 (110MA)	ABC.....
D	335	87-020-465-080	DIODE,1SS133 (110MA)	ABC.....
D	334	87-020-465-080	DIODE,1SS133 (110MA)	ABC.....
D	331	87-020-465-080	DIODE,1SS133 (110MA)	ABC.....
D	333	87-020-465-080	DIODE,1SS133 (110MA)	ABC.....
D	336	87-020-465-080	DIODE,1SS133 (110MA)	ABC.....
D	351	87-020-465-080	DIODE,1SS133 (110MA)	ABC.....
D	352	87-020-465-080	DIODE,1SS133 (110MA)	ABC.....
D	452	87-017-932-080	ZENER,MTJ6.2B	ABC.....
D	451	87-020-465-080	DIODE,1SS133 (110MA)	ABC.....
EMI	201	87-008-372-080	FILTER,EMI BL OIRNI	ABC.....
EMI	202	87-A50-322-080	C-COIL,S BK2125 LM252	ABC.....
EMI	701	87-A50-322-080	C-COIL,S BK2125 LM252	ABC.....
FL	401	8Z-NH8-603-010	FL,BJ674GNK	ABC.....
IC	201	8Z-NH8-602-010	C-IC,UPD780228GF-XXX	ABC.....
IC	251	87-A20-914-010	IC,SPS-442-1-F	ABC.....
IC	451	87-A21-023-040	C-IC,BA3835F	ABC.....
IC	601	87-A21-021-040	C-IC,BU2099FV	ABC.....
L	331	87-A50-434-010	COIL,CLK 4.19M(TOKO)	ABC.....
LED	311	87-A40-317-080	LED,SLR-342VCT31 RED	ABC.....
LED	602	87-A40-619-040	LED,SLR-56PT-T31-W GRN	ABC.....
LED	604	87-A40-619-040	LED,SLR-56PT-T31-W GRN	ABC.....
LED	605	87-A40-619-040	LED,SLR-56PT-T31-W GRN	ABC.....
LED	606	87-A40-619-040	LED,SLR-56PT-T31-W GRN	ABC.....
LED	601	87-A40-619-040	LED,SLR-56PT-T31-W GRN	ABC.....
LED	608	87-A40-619-040	LED,SLR-56PT-T31-W GRN	ABC.....
LED	603	87-A40-619-040	LED,SLR-56PT-T31-W GRN	ABC.....
LED	607	87-A40-619-040	LED,SLR-56PT-T31-W GRN	ABC.....
LED	609	87-A40-619-080	LED,SLR-56PT-TE7-W GRN	ABC.....
LED	614	87-A40-619-080	LED,SLR-56PT-TE7-W GRN	ABC.....
LED	610	87-A40-619-080	LED,SLR-56PT-TE7-W GRN	ABC.....
LED	612	87-A40-619-080	LED,SLR-56PT-TE7-W GRN	ABC.....
LED	611	87-A40-619-080	LED,SLR-56PT-TE7-W GRN	ABC.....
LED	613	87-A40-619-080	LED,SLR-56PT-TE7-W GRN	ABC.....
LED	634	87-A40-619-040	LED,SLR-56PT-T31-W GRN	ABC.....
LED	632	87-A40-619-040	LED,SLR-56PT-T31-W GRN	ABC.....
LED	631	87-A40-619-040	LED,SLR-56PT-T31-W GRN	ABC.....
LED	633	87-A40-619-040	LED,SLR-56PT-T31-W GRN	ABC.....
Q	207	87-A30-087-080	C-FET,2SK2158	ABC.....
Q	251	87-A30-074-080	C-TR,RT1P 141C	ABC.....
Q	302	87-A30-067-080	C-TR,2SA 1298Y	ABC.....
Q	301	87-A30-067-080	C-TR,2SA 1298Y	ABC.....
Q	303	87-A30-240-080	TR,CSA1585BC	ABC.....
Q	311	87-026-610-080	TR,KTC3198GR	ABC.....
Q	312	87-A30-087-080	C-FET,2SK2158	ABC.....
Q	322	87-A30-073-080	C-TR,RT1N 141C	ABC.....
Q	323	87-A30-087-080	C-FET,2SK2158	ABC.....
S	401	87-A91-024-080	SW,TACT KSH0611BT	ABC.....
S	408	87-A91-024-080	SW,TACT KSH0611BT	ABC.....
S	409	87-A91-024-080	SW,TACT KSH0611BT	ABC.....
S	405	87-A91-024-080	SW,TACT KSH0611BT	ABC.....
S	406	87-A91-024-080	SW,TACT KSH0611BT	ABC.....
S	403	87-A91-024-080	SW,TACT KSH0611BT	ABC.....
S	407	87-A91-024-080	SW,TACT KSH0611BT	ABC.....
S	404	87-A91-024-080	SW,TACT KSH0611BT	ABC.....
S	402	87-A91-024-080	SW,TACT KSH0611BT	ABC.....

ELECTRICAL PARTS LIST-3/7

S	419	87-A91-024-080	SW,TACT	KSH0611BT	ABC.....
S	413	87-A91-024-080	SW,TACT	KSH0611BT	ABC.....
S	415	87-A91-024-080	SW,TACT	KSH0611BT	ABC.....
S	414	87-A91-024-080	SW,TACT	KSH0611BT	ABC.....
S	410	87-A91-024-080	SW,TACT	KSH0611BT	ABC.....
S	417	87-A91-024-080	SW,TACT	KSH0611BT	ABC.....
S	412	87-A91-024-080	SW,TACT	KSH0611BT	ABC.....
S	411	87-A91-024-080	SW,TACT	KSH0611BT	ABC.....
S	418	87-A91-024-080	SW,TACT	KSH0611BT	ABC.....
S	416	87-A91-024-080	SW,TACT	KSH0611BT	ABC.....
S	423	87-A91-024-080	SW,TACT	KSH0611BT	ABC.....
S	429	87-A91-024-080	SW,TACT	KSH0611BT	ABC.....
S	427	87-A91-024-080	SW,TACT	KSH0611BT	ABC.....
S	420	87-A91-024-080	SW,TACT	KSH0611BT	ABC.....
S	425	87-A91-024-080	SW,TACT	KSH0611BT	ABC.....
S	428	87-A91-024-080	SW,TACT	KSH0611BT	ABC.....
S	426	87-A91-024-080	SW,TACT	KSH0611BT	ABC.....
S	421	87-A91-024-080	SW,TACT	KSH0611BT	ABC.....
S	422	87-A91-024-080	SW,TACT	KSH0611BT	ABC.....
S	424	87-A91-024-080	SW,TACT	KSH0611BT	ABC.....
S	430	87-A91-024-080	SW,TACT	KSH0611BT	ABC.....
S	433	87-A91-024-080	SW,TACT	KSH0611BT	ABC.....
S	431	87-A91-024-080	SW,TACT	KSH0611BT	ABC.....
S	432	87-A91-024-080	SW,TACT	KSH0611BT	ABC.....
S	434	87-A91-024-080	SW,TACT	KSH0611BT	ABC.....
SW	252	87-A90-535-010	SW,RTRY	EC16B24304	ABC.....
SW	253	87-A90-950-010	SW,RTRY	EC12E12504 ENCORDER	ABC.....
C	307	87-010-196-080	CHIP	CAPACITOR,0.1-25	ABC.....
C	309	87-010-196-080	CHIP	CAPACITOR,0.1-25	ABC.....
C	301	87-010-318-080	C-CAP,S	47P-50 CH	ABC.....
C	302	87-010-318-080	C-CAP,S	47P-50 CH	ABC.....
C	306	87-012-145-080	CAP,CHIP	S 270P CH	ABC.....
C	305	87-012-145-080	CAP,CHIP	S 270P CH	ABC.....
C	304	87-012-157-080	C-CAP,S	330P-50 CH	ABC.....
C	303	87-012-157-080	C-CAP,S	330P-50 CH	ABC.....
C	314	87-010-178-080	CHIP	CAP 1000P	ABC.....
C	315	87-010-178-080	CHIP	CAP 1000P	ABC.....
C	316	87-010-178-080	CHIP	CAP 1000P	ABC.....
C	313	87-010-178-080	CHIP	CAP 1000P	ABC.....
C	310	87-010-196-080	CHIP	CAPACITOR,0.1-25	ABC.....
C	311	87-010-198-080	CAP,CHIP	0.022	ABC.....
C	312	87-010-198-080	CAP,CHIP	0.022	ABC.....
C	324	87-010-260-080	CAP,ELECT	47-25V	ABC.....
C	325	87-010-370-080	CAP,E	330-6.3 SME	ABC.....
C	327	87-010-404-080	CAP,ELECT	4.7-50V	ABC.....
C	328	87-010-404-080	CAP,ELECT	4.7-50V	ABC.....
C	321	87-016-492-080	C-CAP,S	0.33-16 FZ	ABC.....
C	322	87-016-492-080	C-CAP,S	0.33-16 FZ	ABC.....
C	337	87-010-196-080	CHIP	CAPACITOR,0.1-25	ABC.....
C	332	87-010-196-080	CHIP	CAPACITOR,0.1-25	ABC.....
C	339	87-010-196-080	CHIP	CAPACITOR,0.1-25	ABC.....
C	335	87-010-401-080	CAP,ELECT	1-50V	ABC.....
C	336	87-010-401-080	CAP,ELECT	1-50V	ABC.....
C	340	87-010-196-080	CHIP	CAPACITOR,0.1-25	ABC.....
C	354	87-010-175-080	CAP	560P	ABC.....
C	358	87-010-183-080	C-CAP,S	2700P-50 B	ABC.....
C	359	87-010-183-080	C-CAP,S	2700P-50 B	ABC.....
C	357	87-010-197-080	CAP,CHIP	0.01 DM	ABC.....
C	356	87-010-260-080	CAP,ELECT	47-25V	ABC.....
C	351	87-012-140-080	CAP	470P	ABC.....
C	352	87-012-140-080	CAP	470P	ABC.....
C	355	87-012-349-080	C-CAP,S	1000P-50 CH	ABC.....
C	360	87-010-183-080	C-CAP,S	2700P-50 B	ABC.....
C	363	87-A10-772-080	CAP,M	5600P-50 J	ABC.....
C	378	87-010-196-080	CHIP	CAPACITOR,0.1-25	ABC.....
C	370	87-010-196-080	CHIP	CAPACITOR,0.1-25	ABC.....
C	379	87-010-382-080	CAP,ELECT	22-25V	ABC.....
C	374	87-016-083-080	C-CAP,S	0.15-16 RK	ABC.....
C	373	87-016-083-080	C-CAP,S	0.15-16 RK	ABC.....
C	386	87-010-196-080	CHIP	CAPACITOR,0.1-25	ABC.....
C	380	87-010-382-080	CAP,ELECT	22-25V	ABC.....
C	388	87-012-156-080	C-CAP,S	220P-50 CH	ABC.....
C	391	87-010-319-080	C-CAP,S	56P-50 CH	ABC.....
C	392	87-010-319-080	C-CAP,S	56P-50 CH	ABC.....
C	394	87-010-319-080	C-CAP,S	56P-50 CH	ABC.....
C	393	87-010-319-080	C-CAP,S	56P-50 CH	ABC.....
CN	301	87-099-827-010	CONN,3P	S2M-3W	ABC.....
CN	351	87-099-832-010	CONN,8P	S2M-8W	ABC.....
D	352	87-A40-269-080	C-DIODE	MC2836	ABC.....
IC	303	87-A20-783-040	C-IC	BA7762AFS	ABC.....
L	302	87-A50-049-010	COIL,TRAP	85K(COI)	ABC.....
L	301	87-A50-049-010	COIL,TRAP	85K(COI)	ABC.....
L	351	87-007-342-010	COIL,OSC	85K BIAS	ABC.....
Q	357	87-026-610-080	TR,KTC	3198GR	ABC.....
Q	358	87-026-610-080	TR,KTC	3198GR	ABC.....
Q	359	87-026-610-080	TR,KTC	3198GR	ABC.....
Q	354	87-A30-087-080	C-FET	2SK2158	ABC.....
Q	351	87-A30-087-080	C-FET	2SK2158	ABC.....
Q	353	87-A30-087-080	C-FET	2SK2158	ABC.....
Q	355	87-A30-105-080	C-TR	RT1P 441C	ABC.....
SFR	352	87-A90-433-080	SFR	50K H NVZ6TLTA	ABC.....
SFR	351	87-A90-433-080	SFR	50K H NVZ6TLTA	ABC.....

ELECTRICAL PARTS LIST-4/7

C	507	87-010-183-080	C-CAP,S 2700P-50 B	ABC.....
C	509	87-010-196-080	CHIP CAPACITOR,0.1-25	ABC.....
C	505	87-012-145-080	CAP, CHIP S 270P CH	ABC.....
C	506	87-012-145-080	CAP, CHIP S 270P CH	ABC.....
C	504	87-012-154-080	C-CAP,S 150P-50 CH	ABC.....
C	503	87-012-154-080	C-CAP,S 150P-50 CH	ABC.....
C	501	87-A10-060-080	C-CAP,S 0.18-16 K B	ABC.....
C	502	87-A10-060-080	C-CAP,S 0.18-16 K B	ABC.....
C	511	87-010-177-080	C-CAP,S 820P-50 SL	ABC.....
C	510	87-010-177-080	C-CAP,S 820P-50 SL	ABC.....
C	517	87-010-183-080	C-CAP,S 2700P-50 B	ABC.....
C	512	87-010-196-080	CHIP CAPACITOR,0.1-25	ABC.....
C	514	87-010-196-080	CHIP CAPACITOR,0.1-25	ABC.....
C	515	87-010-263-080	CAP, ELECT 100-10V	ABC.....
C	513	87-010-374-080	CAP, ELECT 47-10V	ABC.....
C	527	87-010-196-080	CHIP CAPACITOR,0.1-25	ABC.....
C	523	87-016-460-080	C-CAP,S 0.22-16 B	ABC.....
C	521	87-016-460-080	C-CAP,S 0.22-16 B	ABC.....
C	522	87-016-460-080	C-CAP,S 0.22-16 B	ABC.....
CN	502	87-099-566-010	CONN,7P TUC-P7P-B1	ABC.....
CN	501	87-A60-689-010	CONN,7P H GRY TUC-P07X-C1	ABC.....
D	501	87-070-136-080	ZENER,MTZJ5.1B	ABC.....
IC	501	87-A20-561-040	C-IC,M65847AFP	ABC.....
C	4	87-012-368-080	C-CAP,S 0.1-50 F	ABC.....
C	5	87-012-368-080	C-CAP,S 0.1-50 F	ABC.....
C	6	87-012-368-080	C-CAP,S 0.1-50 F	ABC.....
C	3	87-012-368-080	C-CAP,S 0.1-50 F	ABC.....
C	1	87-012-369-080	C-CAP,S 0.047-50F	ABC.....
C	2	87-012-369-080	C-CAP,S 0.047-50F	ABC.....
C	9	87-A10-520-090	CAP,E 3300-35 M SMG	ABC.....
C	10	87-A10-520-090	CAP,E 3300-35 M SMG	ABC.....
C	29	87-010-247-080	CAP, ELECT 100-50V	ABC.....
C	26	87-010-263-080	CAP, ELECT 100-10V	ABC.....
C	21	87-010-406-080	CAP, ELECT 22-50	ABC.....
C	22	87-010-406-080	CAP, ELECT 22-50	ABC.....
C	24	87-010-406-080	CAP, ELECT 22-50	ABC.....
C	23	87-010-406-080	CAP, ELECT 22-50	ABC.....
C	25	87-010-430-080	CAP, ELECT 100-63	ABC.....
C	27	87-012-140-080	CAP 470P	ABC.....
C	30	87-010-112-080	CAP, ELECT 100-16V	ABC.....
C	31	87-010-235-080	CAP,E 470-16 SME	ABC.....
C	33	87-010-405-080	CAP, ELECT 10-50V	ABC.....
C	34	87-010-405-080	CAP, ELECT 10-50V	ABC.....
C	61	87-010-260-080	CAP, ELECT 47-25V	ABC.....
C	62	87-010-403-080	CAP, ELECT 3.3-50V	ABC.....
C	93	87-010-380-080	CAP, ELECT 47-16V	ABC.....
CN	91	87-A60-109-010	CONN,2P V S2M-2W	ABC.....
CNA	1	8Z-NF8-669-010	CONN ASSY,9P VH	ABC.....
D	1	87-017-447-010	DIODE,GBU4DL	ABC.....
D	9	87-020-465-080	DIODE,1SS133 (110MA)	ABC.....
D	8	87-020-465-080	DIODE,1SS133 (110MA)	ABC.....
D	5	87-070-274-080	DIODE,1N4003 SEM	ABC.....
D	3	87-070-274-080	DIODE,1N4003 SEM	ABC.....
D	6	87-070-274-080	DIODE,1N4003 SEM	ABC.....
D	4	87-070-274-080	DIODE,1N4003 SEM	ABC.....
D	7	87-A40-383-080	ZENER,MTZJ30A	ABC.....
D	10	87-A40-345-080	ZENER,MTZJ10C	ABC.....
D	64	87-070-274-080	DIODE,1N4003 SEM	ABC.....
D	62	87-A40-269-080	C-DIODE,MC2836	ABC.....
D	61	87-A40-270-080	C-DIODE,MC2838	ABC.....
D	91	87-020-465-080	DIODE,1SS133 (110MA)	ABC.....
D	92	87-020-465-080	DIODE,1SS133 (110MA)	ABC.....
Q	1	87-026-609-080	TR,KTA1266GR	ABC.....
Q	2	87-026-609-080	TR,KTA1266GR	ABC.....
Q	5	87-026-610-080	TR,KTC3198GR	ABC.....
Q	8	87-A30-075-080	C-TR,2SA1235F	ABC.....
Q	6	87-A30-076-080	C-TR,2SC3052F	ABC.....
Q	9	87-A30-196-080	TR,2SC4115SRS	ABC.....
Q	4	89-213-702-010	TR,2SB1370 (1.8W)	ABC.....
Q	61	87-A30-074-080	C-TR,RT1P 141C	ABC.....
Q	66	87-A30-075-080	C-TR,2SA1235F	ABC.....
Q	64	87-A30-075-080	C-TR,2SA1235F	ABC.....
Q	62	87-A30-075-080	C-TR,2SA1235F	ABC.....
Q	67	87-A30-076-080	C-TR,2SC3052F	ABC.....
Q	65	87-A30-076-080	C-TR,2SC3052F	ABC.....
Q	63	87-A30-076-080	C-TR,2SC3052F	ABC.....
Q	92	87-026-609-080	TR,KTA1266GR	ABC.....
Q	91	87-A30-076-080	C-TR,2SC3052F	ABC.....
WH	1	87-A90-510-010	HLDR,WIRE 2.5-9P	ABC.....
		87-067-703-010	TAPPING SCREW, BVT2+3-10	ABC.....
C	101	87-010-178-080	CHIP CAP 1000P	ABC.....
C	102	87-010-178-080	CHIP CAP 1000P	ABC.....
C	103	87-010-401-080	CAP, ELECT 1-50V	ABC.....
C	104	87-010-401-080	CAP, ELECT 1-50V	ABC.....
C	107	87-010-405-080	CAP, ELECT 10-50V	ABC.....
C	108	87-010-405-080	CAP, ELECT 10-50V	ABC.....
C	111	87-010-260-080	CAP, ELECT 47-25V	ABC.....
C	112	87-010-260-080	CAP, ELECT 47-25V	ABC.....
C	117	87-016-247-080	C-CAP,0.1-50 F	ABC.....
C	118	87-016-247-080	C-CAP,0.1-50 F	ABC.....
C	113	87-A10-685-080	C-CAP,S 470P-100 J CH	ABC.....
C	114	87-A10-685-080	C-CAP,S 470P-100 J CH	ABC.....

ELECTRICAL PARTS LIST-5/7

C	124	87-010-176-080	C-CAP,S 680P-50 SL	ABC.....
C	123	87-010-176-080	C-CAP,S 680P-50 SL	ABC.....
C	121	87-010-178-080	CHIP CAP 1000P	ABC.....
C	122	87-010-178-080	CHIP CAP 1000P	ABC.....
C	129	87-010-191-080	C-CAP,S 0.015-50 F	ABC.....
C	128	87-012-368-080	C-CAP,S 0.1-50 F	ABC.....
C	126	87-012-368-080	C-CAP,S 0.1-50 F	ABC.....
C	127	87-012-368-080	C-CAP,S 0.1-50 F	ABC.....
C	125	87-012-368-080	C-CAP,S 0.1-50 F	ABC.....
C	130	87-010-191-080	C-CAP,S 0.015-50 F	ABC.....
C	133	87-010-197-080	CAP, CHIP 0.01 DM	ABC.....
C	131	87-010-197-080	CAP, CHIP 0.01 DM	ABC.....
C	132	87-010-197-080	CAP, CHIP 0.01 DM	ABC.....
D	101	87-020-465-080	DIODE,1SS133 (110MA)	ABC.....
D	103	87-020-465-080	DIODE,1SS133 (110MA)	ABC.....
D	109	87-020-465-080	DIODE,1SS133 (110MA)	ABC.....
D	104	87-020-465-080	DIODE,1SS133 (110MA)	ABC.....
D	102	87-020-465-080	DIODE,1SS133 (110MA)	ABC.....
D	108	87-A40-488-080	DIODE,1SS244	ABC.....
D	107	87-A40-488-080	DIODE,1SS244	ABC.....
D	110	87-020-465-080	DIODE,1SS133 (110MA)	ABC.....
D	114	87-020-465-080	DIODE,1SS133 (110MA)	ABC.....
D	112	87-020-465-080	DIODE,1SS133 (110MA)	ABC.....
D	115	87-020-465-080	DIODE,1SS133 (110MA)	ABC.....
D	113	87-020-465-080	DIODE,1SS133 (110MA)	ABC.....
D	111	87-A40-270-080	C-DIODE,MC2838	ABC.....
J	203	87-A60-238-010	TERMINAL, SP 4P (MSC)	ABC.....
J	201	87-A60-483-010	JACK,DIA6.3 BLK ST W/S KM	ABC.....
L	101	87-003-383-010	COIL,1UH-S	ABC.....
L	102	87-003-383-010	COIL,1UH-S	ABC.....
Q	104	87-A30-075-080	C-TR,2SA1235F	ABC.....
Q	106	87-A30-075-080	C-TR,2SA1235F	ABC.....
Q	105	87-A30-075-080	C-TR,2SA1235F	ABC.....
Q	103	87-A30-075-080	C-TR,2SA1235F	ABC.....
Q	107	87-A30-076-080	C-TR,2SC3052F	ABC.....
Q	108	87-A30-076-080	C-TR,2SC3052F	ABC.....
Q	109	87-A30-076-080	C-TR,2SC3052F	ABC.....
Q	102	87-A30-257-080	C-TR,2SD1306E	ABC.....
Q	101	87-A30-257-080	C-TR,2SD1306E	ABC.....
Q	110	87-A30-076-080	C-TR,2SC3052F	ABC.....
Q	116	87-A30-097-010	TR, FN 1016	ABC.....
Q	115	87-A30-097-010	TR, FN 1016	ABC.....
Q	117	87-A30-098-010	TR, FP 1016	ABC.....
Q	118	87-A30-098-010	TR, FP 1016	ABC.....
Q	111	87-A30-190-080	TR, CC5551	ABC.....
Q	112	87-A30-190-080	TR, CC5551	ABC.....
Q	127	87-A30-075-080	C-TR,2SA1235F	ABC.....
Q	126	87-A30-075-080	C-TR,2SA1235F	ABC.....
Q	128	87-A30-076-080	C-TR,2SC3052F	ABC.....
Q	129	87-A30-076-080	C-TR,2SC3052F	ABC.....
Q	124	87-A30-106-070	C-TR,CMBT5551	ABC.....
Q	123	87-A30-106-070	C-TR,CMBT5551	ABC.....
Q	131	87-A30-076-080	C-TR,2SC3052F	ABC.....
Q	130	87-A30-076-080	C-TR,2SC3052F	ABC.....
R	129	87-A00-257-080	RES,M/F 0.15-1W J	ABC.....
R	130	87-A00-257-080	RES,M/F 0.15-1W J	ABC.....
R	131	87-A00-257-080	RES,M/F 0.15-1W J	ABC.....
R	132	87-A00-257-080	RES,M/F 0.15-1W J	ABC.....
R	143	87-A00-440-050	RES,220-1/2W J RP	ABC.....
R	144	87-A00-440-050	RES,220-1/2W J RP	ABC.....
R	145	87-A00-440-050	RES,220-1/2W J RP	ABC.....
R	146	87-A00-440-050	RES,220-1/2W J RP	ABC.....
R	166	87-A00-257-080	RES,M/F 0.15-1W J	ABC.....
R	165	87-A00-257-080	RES,M/F 0.15-1W J	ABC.....
TH	101	87-A91-042-080	C-THMS,100K 55001	ABC.....
TH	102	87-A91-042-080	C-THMS,100K 55001	ABC.....
C	204	87-010-178-080	CHIP CAP 1000P	ABC.....
C	203	87-010-178-080	CHIP CAP 1000P	ABC.....
C	209	87-010-403-080	CAP, ELECT 3.3-50V	ABC.....
C	212	87-010-182-080	C-CAP,S 2200P-50 B	ABC.....
C	211	87-010-182-080	C-CAP,S 2200P-50 B	ABC.....
C	218	87-010-260-080	CAP, ELECT 47-25V	ABC.....
C	217	87-010-260-080	CAP, ELECT 47-25V	ABC.....
C	215	87-010-322-080	C-CAP,S 100P-50 CH	ABC.....
C	216	87-010-322-080	C-CAP,S 100P-50 CH	ABC.....
C	213	87-010-403-080	CAP, ELECT 3.3-50V	ABC.....
C	214	87-010-403-080	CAP, ELECT 3.3-50V	ABC.....
C	210	87-010-403-080	CAP, ELECT 3.3-50V	ABC.....
C	219	87-A10-946-080	C-CAP,S 220P-100 J CH	ABC.....
C	227	87-010-186-080	CAP,CHIP 4700P	ABC.....
C	228	87-010-186-080	CAP,CHIP 4700P	ABC.....
C	223	87-010-190-080	S CHIP F 0.01	ABC.....
C	224	87-010-190-080	S CHIP F 0.01	ABC.....
C	226	87-010-544-080	CAP, ELECT 0.1-50V	ABC.....
C	225	87-010-544-080	CAP, ELECT 0.1-50V	ABC.....
C	229	87-010-993-080	C-CAP,S 0.056-25 B	ABC.....
C	220	87-A10-946-080	C-CAP,S 220P-100 J CH	ABC.....
C	234	87-010-190-080	S CHIP F 0.01	ABC.....
C	233	87-010-190-080	S CHIP F 0.01	ABC.....
C	239	87-010-196-080	CHIP CAPACITOR,0.1-25	ABC.....
C	231	87-010-196-080	CHIP CAPACITOR,0.1-25	ABC.....
C	232	87-010-196-080	CHIP CAPACITOR,0.1-25	ABC.....

ELECTRICAL PARTS LIST-6/7

C	230	87-010-993-080	C-CAP,S 0.056-25 B	ABC.....
C	236	87-016-285-080	CAP,E 47-100SME	ABC.....
C	235	87-016-285-080	CAP,E 47-100SME	ABC.....
C	240	87-010-408-080	CAP, ELECT 47-50V	ABC.....
D	204	87-020-465-080	DIODE,1SS133 (110MA)	ABC.....
D	202	87-020-465-080	DIODE,1SS133 (110MA)	ABC.....
D	203	87-020-465-080	DIODE,1SS133 (110MA)	ABC.....
D	201	87-020-465-080	DIODE,1SS133 (110MA)	ABC.....
D	207	87-A40-488-080	DIODE,1SS244	ABC.....
D	208	87-A40-488-080	DIODE,1SS244	ABC.....
D	214	87-020-465-080	DIODE,1SS133 (110MA)	ABC.....
D	211	87-A40-270-080	C-DIODE,MC2838	ABC.....
J	204	87-A60-750-010	JACK,PIN 4P R/W BLUE	ABC.....
L	202	87-003-383-010	COIL,1UH-S	ABC.....
L	201	87-003-383-010	COIL,1UH-S	ABC.....
Q	204	87-A30-075-080	C-TR,2SA1235F	ABC.....
Q	205	87-A30-075-080	C-TR,2SA1235F	ABC.....
Q	206	87-A30-075-080	C-TR,2SA1235F	ABC.....
Q	203	87-A30-075-080	C-TR,2SA1235F	ABC.....
Q	208	87-A30-076-080	C-TR,2SC3052F	ABC.....
Q	209	87-A30-076-080	C-TR,2SC3052F	ABC.....
Q	207	87-A30-076-080	C-TR,2SC3052F	ABC.....
Q	202	87-A30-257-080	C-TR,2SD1306E	ABC.....
Q	201	87-A30-257-080	C-TR,2SD1306E	ABC.....
Q	210	87-A30-076-080	C-TR,2SC3052F	ABC.....
Q	219	87-A30-119-040	C-TR,2SC3906K R	ABC.....
Q	212	87-A30-190-080	TR,CC5551	ABC.....
Q	211	87-A30-190-080	TR,CC5551	ABC.....
Q	217	87-A30-255-010	TR,2SB1342	ABC.....
Q	218	87-A30-255-010	TR,2SB1342	ABC.....
Q	215	87-A30-256-010	TR,2SD1933	ABC.....
Q	216	87-A30-256-010	TR,2SD1933	ABC.....
Q	226	87-A30-076-080	C-TR,2SC3052F	ABC.....
Q	227	87-A30-076-080	C-TR,2SC3052F	ABC.....
Q	225	87-A30-076-080	C-TR,2SC3052F	ABC.....
Q	224	87-A30-076-080	C-TR,2SC3052F	ABC.....
Q	220	87-A30-119-040	C-TR,2SC3906K R	ABC.....
R	234	87-A00-258-080	RES,M/F 0.22-1W J	ABC.....
R	233	87-A00-258-080	RES,M/F 0.22-1W J	ABC.....
R	232	87-A00-258-080	RES,M/F 0.22-1W J	ABC.....
R	231	87-A00-258-080	RES,M/F 0.22-1W J	ABC.....
R	266	87-A00-258-080	RES,M/F 0.22-1W J	ABC.....
R	265	87-A00-258-080	RES,M/F 0.22-1W J	ABC.....
C	601	87-010-180-080	C-CER 1500P	ABC.....
C	602	87-010-180-080	C-CER 1500P	ABC.....
C	605	87-010-318-080	C-CAP,S 47P-50 CH	ABC.....
C	606	87-010-318-080	C-CAP,S 47P-50 CH	ABC.....
C	619	87-010-185-080	C-CAP,S 3900P-50 B	ABC.....
C	613	87-016-081-080	C-CAP,S 0.1-16 RK	ABC.....
C	614	87-016-081-080	C-CAP,S 0.1-16 RK	ABC.....
C	618	87-A11-008-080	CAP,M 0.056-50 J DE	ABC.....
C	617	87-A11-008-080	CAP,M 0.056-50 J DE	ABC.....
C	616	87-A11-011-080	CAP,M 0.12-50 J DE	ABC.....
C	615	87-A11-011-080	CAP,M 0.12-50 J DE	ABC.....
C	620	87-010-185-080	C-CAP,S 3900P-50 B	ABC.....
C	622	87-010-401-080	CAP, ELECT 1-50V	ABC.....
C	621	87-010-401-080	CAP, ELECT 1-50V	ABC.....
C	626	87-010-405-080	CAP, ELECT 10-50V	ABC.....
C	625	87-010-405-080	CAP, ELECT 10-50V	ABC.....
C	629	87-010-405-080	CAP, ELECT 10-50V	ABC.....
C	624	87-A10-773-080	CAP,M 0.10-50 J	ABC.....
C	623	87-A10-773-080	CAP,M 0.10-50 J	ABC.....
C	637	87-010-183-080	C-CAP,S 2700P-50 B	ABC.....
C	636	87-010-194-080	CAP, CHIP 0.047	ABC.....
C	635	87-010-196-080	CHIP CAPACITOR,0.1-25	ABC.....
C	634	87-010-196-080	CHIP CAPACITOR,0.1-25	ABC.....
C	630	87-010-213-080	C-CAP,S 0.015-50 B	ABC.....
C	633	87-010-263-080	CAP, ELECT 100-10V	ABC.....
C	632	87-010-263-080	CAP, ELECT 100-10V	ABC.....
C	638	87-010-314-080	C-CAP,S 22P-50V	ABC.....
C	639	87-010-314-080	C-CAP,S 22P-50V	ABC.....
C	631	87-010-992-080	C-CAP,S 0.047-25 B	ABC.....
C	641	87-010-196-080	CHIP CAPACITOR,0.1-25	ABC.....
CN	604	87-099-570-010	CONN,13P TUC-P13P-B1	ABC.....
CN	602	87-A60-131-010	CONN,6P V FE	ABC.....
CN	601	88-NF9-657-010	CONN,30P H BLK TYK-B(X)	ABC.....
D	601	87-A40-002-080	ZENER,MTZJ5.1C	ABC.....
D	603	87-A40-234-080	ZENER,MTZJ5.6A	ABC.....
D	602	87-A40-438-080	ZENER,MTZJ4.7A	ABC.....
IC	601	87-A21-011-040	C-IC,M62445FP-600D	ABC.....
J	602	87-A60-398-010	JACK,PIN 2P R/W HSP-242V24	ABC.....
Q	601	87-026-609-080	TR,KTA1266GR	ABC.....
Q	604	87-A30-142-040	C-TR,DTA123EKA	ABC.....
C	707	87-010-180-080	C-CER 1500P	ABC.....
C	702	87-010-196-080	CHIP CAPACITOR,0.1-25	ABC.....
C	706	87-010-197-080	CAP, CHIP 0.01 DM	ABC.....
C	708	87-010-213-080	C-CAP,S 0.015-50 B	ABC.....
C	709	87-010-213-080	C-CAP,S 0.015-50 B	ABC.....
C	701	87-010-263-080	CAP, ELECT 100-10V	ABC.....
C	704	87-010-319-080	C-CAP,S 56P-50 CH	ABC.....
C	703	87-010-319-080	C-CAP,S 56P-50 CH	ABC.....
C	705	87-012-393-080	C-CAP,S 0.22-16 R K	ABC.....

# ELECTRICAL PARTS LIST-7/7

C	711	87-010-181-080	CAP,CHIP S 1800P	ABC.....
C	712	87-010-196-080	CHIP CAPACITOR,0.1-25	ABC.....
C	710	87-010-197-080	CAP, CHIP 0.01 DM	ABC.....
C	714	87-010-374-080	CAP, ELECT 47-10V	ABC.....
C	713	87-010-544-080	CAP, ELECT 0.1-50V	ABC.....
C	719	87-012-141-080	CHIP-CAPACITOR,0.22-16F	ABC.....
C	736	87-010-196-080	CHIP CAPACITOR,0.1-25	ABC.....
C	733	87-010-196-080	CHIP CAPACITOR,0.1-25	ABC.....
C	732	87-010-196-080	CHIP CAPACITOR,0.1-25	ABC.....
C	738	87-010-318-080	C-CAP,S 47P-50 CH	ABC.....
C	737	87-010-318-080	C-CAP,S 47P-50 CH	ABC.....
C	739	87-010-318-080	C-CAP,S 47P-50 CH	ABC.....
C	731	87-010-560-080	CAP,E 10-50 GAS	ABC.....
C	734	87-012-157-080	C-CAP,S 330P-50 CH	ABC.....
D	701	87-A40-234-080	ZENER,MTZJ5.6A	ABC.....
IC	701	87-A20-613-040	C-IC,BU9262AFS	ABC.....
L	701	87-005-448-080	COIL 220UH,K	ABC.....
Q	732	87-A30-075-080	C-TR,2SA1235F	ABC.....
Q	731	87-A30-076-080	C-TR,2SC3052F	ABC.....
C	457	87-010-196-080	CHIP CAPACITOR,0.1-25	ABC.....
C	458	87-010-196-080	CHIP CAPACITOR,0.1-25	ABC.....
C	451	87-010-401-080	CAP, ELECT 1-50V	ABC.....
C	452	87-010-401-080	CAP, ELECT 1-50V	ABC.....
C	453	87-010-545-080	CAP, ELECT 0.22-50V	ABC.....
C	454	87-010-545-080	CAP, ELECT 0.22-50V	ABC.....
C	459	87-A11-004-080	CAP,M 0.022-50 J DE	ABC.....
C	455	87-A11-010-080	CAP,M 0.082-50 J DE	ABC.....
C	456	87-A11-010-080	CAP,M 0.082-50 J DE	ABC.....
C	465	87-A11-004-080	CAP,M 0.022-50 J DE	ABC.....
C	460	87-A11-004-080	CAP,M 0.022-50 J DE	ABC.....
C	466	87-A11-004-080	CAP,M 0.022-50 J DE	ABC.....
IC	451	87-A21-031-040	C-IC,BU4551BF	ABC.....



# MECHANICAL PARTS LIST-1/1

NOTE: The characters in the suffix column indicate the part usage.

REF.NO	PARTS NO.	KANRI NO.	DESCRIPTION	SUFFIX
HRJ8STM		XX		A
HRJSTM		XX		B
HRJ7STM		XX		C
	82-NE6-067-010		BADGE,AIWA 30N	ABC
	86-NF6-007-010		WINDOW, TOP	ABC
	8Z-NB8-011-010		PANEL, LEFT V-2	ABC
	8Z-NB8-013-010		PANEL, TOP V-2	ABC
	8Z-NF8-021-010		WINDOW, CASS 1	ABC
	8Z-NF8-022-010		WINDOW, CASS 2	ABC
	8Z-NF8-037-010		BOX, CASS 1H	ABC
	8Z-NF8-038-010		BOX, CASS 2H	ABC
	8Z-NF9-043-010		PANEL, RIGHT S V-2	ABC
	8Z-NFV-012-010		WINDOW, CD	ABC
	8Z-NH8-001-010		WINDOW, DISP H	ABC
	8Z-NH8-002-010		PANEL, TRAY H	ABC
	8Z-NH8-003-010		CABI, FR H	ABC
	8Z-NH8-011-010		CABI, REAR HRJSTNM	ABC
	8Z-NF8-005-010		KEY, POWER	ABC
	8Z-NF8-006-010		KEY, CD	ABC
	8Z-NF8-007-010		REFLECTOR, ECO	. C
	8Z-NF8-008-010		KEY, TIMER	ABC
	8Z-NF8-010-010		KEY, ASSY FUN	ABC
	8Z-NF8-019-010		KEY, ECHO	ABC
	8Z-NF8-020-010		KEY, RDS	ABC
	8Z-NF8-026-010		KNOB, RTRY JOG	ABC
	8Z-NF8-027-010		KNOB, RTRY VOL	ABC
	8Z-NF8-029-010		REFLECTOR, JOG	ABC
	8Z-NH8-006-010		KEY, EDIT	ABC
	8Z-NH8-007-010		KEY, ASSY PLAY	ABC
	8Z-NH8-009-010		KEY, ASSY PAUSE	ABC
CN	0		81-532-080-010 LABEL, CASS. COMPT	ABC
			87-NF6-616-010 CONN ASSY, 8P RPB	ABC
			84-ZG1-245-210 CAP, OPTICAL	ABC
			82-NF5-218-010 SPR-T, EJECT 1 (SIN)	ABC
			82-NF5-219-010 SPR-T, EJECT 2 (SIN)	ABC
			82-NF5-229-010 PLATE, LOCK	ABC
			86-NF9-224-010 SPR-C, LOCK	ABC
			87-NF4-216-010 HLDR, LOCK 1	ABC
			87-NF4-217-010 HLDR, LOCK 2	ABC
			87-NF4-221-010 HLDR, CABLE	ABC
			87-NF8-220-010 DMPR, 150	ABC
			88-NF5-208-010 HLDR, PWB-M N	ABC
			8Z-NB8-240-010 COVER, PL	ABC
			8Z-NF8-205-110 HLDR, HT-SINK	ABC
*			8Z-NF9-204-010 PLATE, MIC	ABC
			87-067-581-010 TAPPING SCREW, BVT2+3-15	ABC
			87-067-641-010 UTT2+3-8 (W/O SLOT) BL	ABC
			87-067-688-010 BVTT+3-6	ABC
			87-067-703-010 TAPPING SCREW, BVT2+3-10	ABC
			87-067-758-010 BVT2+3-12 W/O SLOT	ABC
			87-078-191-010 S-SCREW, IT+4-10	ABC
			87-721-096-410 QT2+3-10 GLD	ABC
			87-721-097-410 QT2+3-12 GLD	ABC
			87-NF4-224-010 S-SCREW, IT3B+3-8 CU	ABC
			87-050-079-010 AC-CORD ASSY, E	ABC
			87-085-185-010 BUSHING, AC CORD (E)	ABC
			87-A90-796-010 FAN, F614R-12MC-15-300MM	ABC
			88-906-241-110 FF-CABLE, 6P 1.25	ABC
			88-913-301-110 FF-CABLE, 13P-1.25	ABC
			88-915-101-110 FF-CABLE, 15P 1.25 100MM	ABC
			8Z-NF8-605-010 PT, ZNF-8HR	ABC
			8Z-NF8-201-010 GUIDE, OPE	ABC
			8Z-NF8-202-010 GUIDE, FUN	ABC
WH	1		87-A90-510-010 HLDR, WIRE 2.5-9P	ABC
			87-067-703-010 TAPPING SCREW, BVT2+3-10	ABC

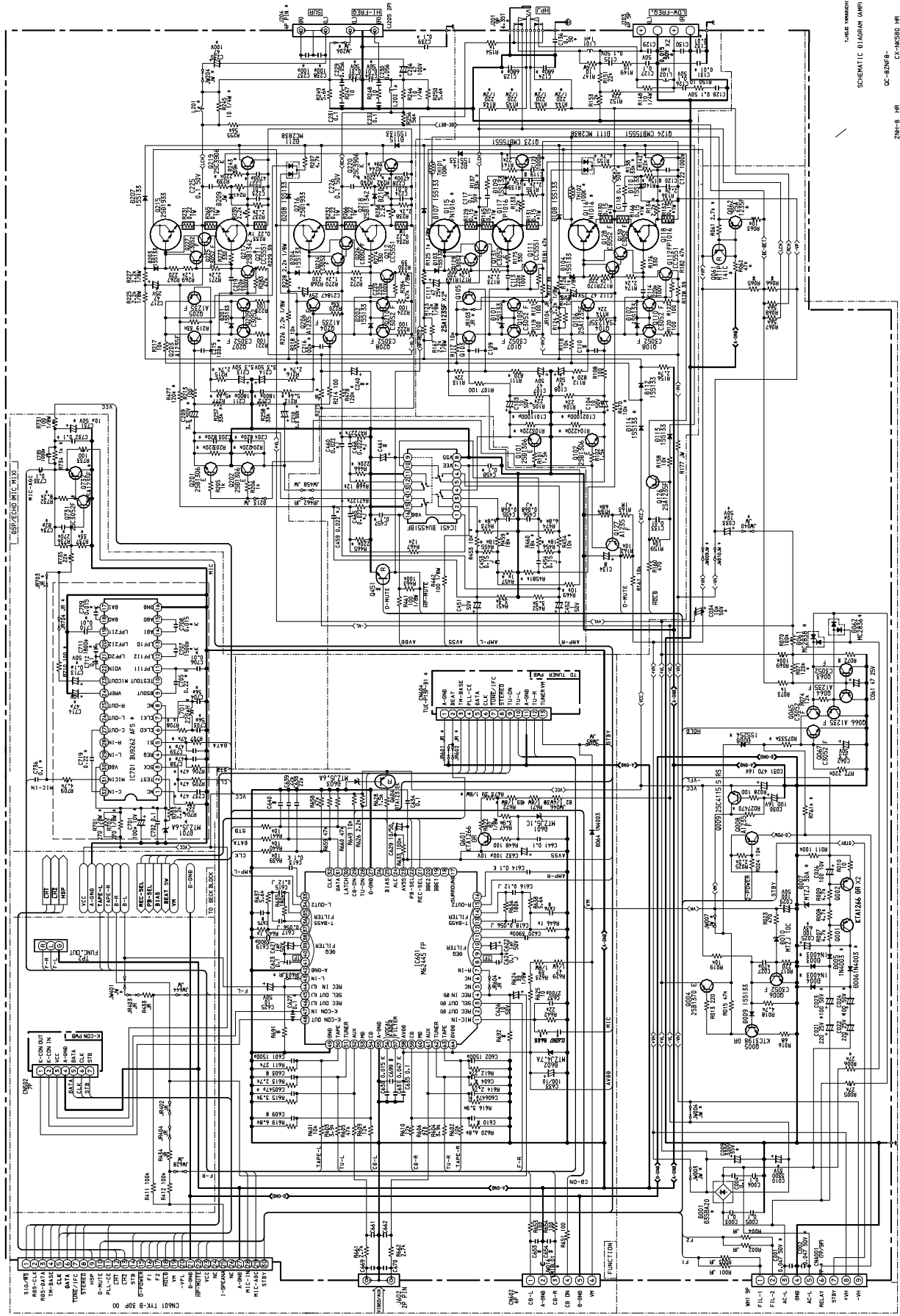
# ACCESSORIES / PACKAGE LIST-1/1

NOTE: The characters in the suffix column indicate the part usage.

HRJ8STM .....XX.....A.....  
 HRJSTM .....XX.....B.....  
 HRJ7STM .....XX.....C.....

REF.NO	PARTS NO.	KANRI NO.	DESCRIPTION	SUFFIX
	8Z-NH8-911-010		IB,H(EC-H)M	ABC.....
	87-006-269-010		AM LOOP ANT (UN)	ABC.....
	87-043-095-010		WIRE ANTENNA	ABC.....
	87-043-115-010		ANT,FEEDER FM	ABC.....
	87-050-103-010		CORD,PIN 1PY1.5M	ABC.....
	87-099-789-010		PLUG,ADPTR IR44	ABC.....
	8Z-NH8-702-010		RC UNIT,RC-ZAS07	ABC.....

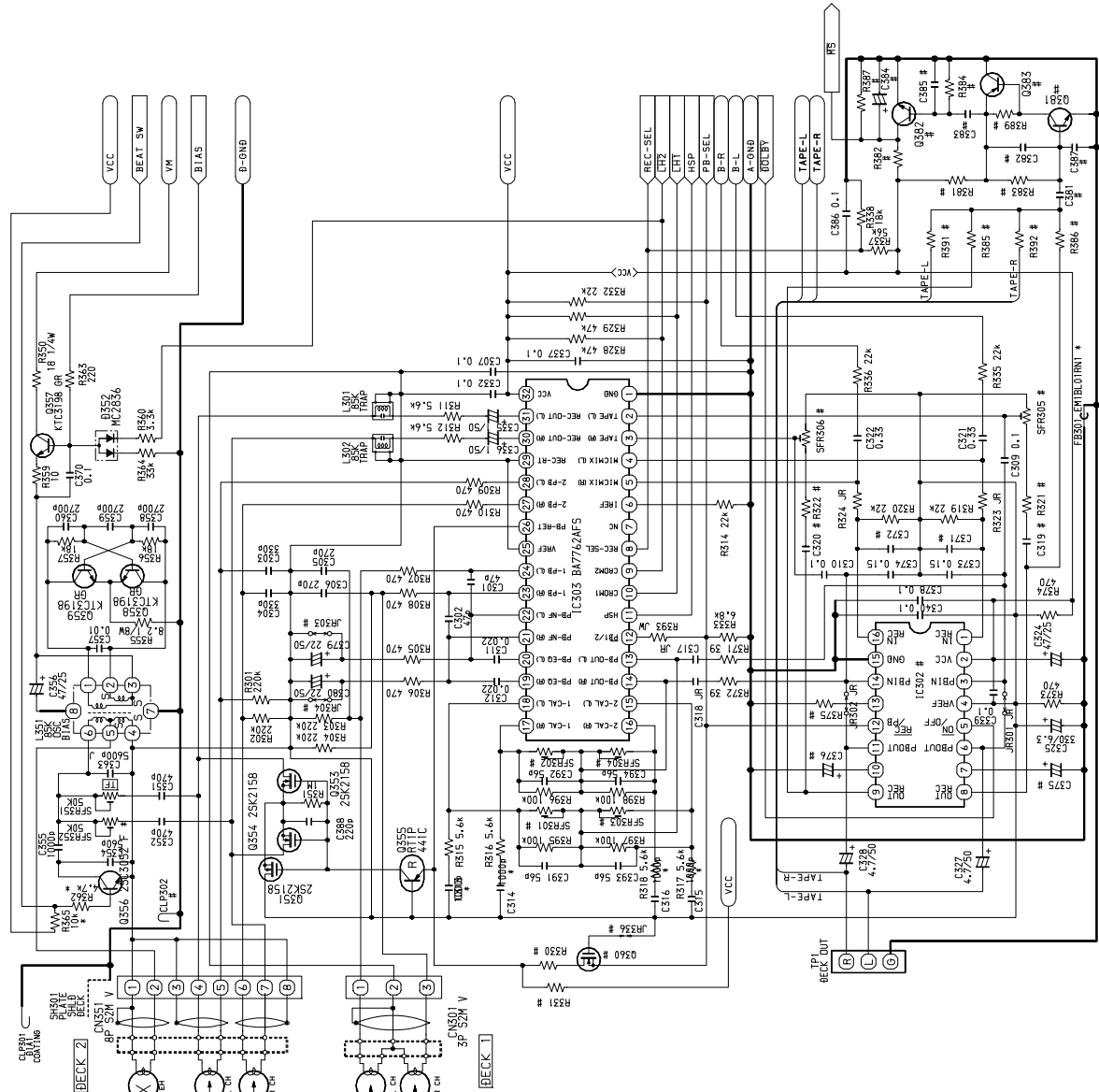
SCHEMATIC DIAGRAM - 1 (AMP)



1.000 (MM) (AMP)  
 SCHEMATIC DIAGRAM (AMP)  
 24-4-8 HR  
 00-80962-  
 16 DEC 1958

B-2448-B-MAIN-HP (P.1)

SCHEMATIC DIAGRAM - 2 (DECK)



HRL LH B OTHERS		W/O DOLBY W/O DOLBY (H-L-I+D)	
JR303	X	JR303	X
JR304	X	JR304	X
C379	22/25	C379	22/50
C380	22/50	C380	22/50
C313	1000P	C313	1500P
C314	1000P	C314	1500P
R315	5.6K	R315	5.6K
R316	5.6K	R316	5.6K
R315	1000P	R315	2200P
C316	1000P	C316	2200P
R317	5.6K	R317	5.6K
R318	5.6K	R318	5.6K
C391	56P	C391	56P
C392	56P	C392	56P
C393	56P	C393	56P
C394	56P	C394	56P
R395	100K	R395	100K
R396	100K	R396	100K
R397	100K	R397	100K
R398	100K	R398	100K
SFR301	X	SFR301	X
SFR302	X	SFR302	X
SFR303	X	SFR303	X
SFR304	X	SFR304	X
C317	C-JR	C317	C-JR
C318	C-JR	C318	C-JR
R371	39	R371	39
R372	39	R372	39
C375	X	C375	X
C376	X	C376	X
R375	X	R375	X
JR301	C-JR	JR301	C-JR
JR302	C-JR	JR302	C-JR

USE	BA7762AFS	USE	HA12111
Q360	X	Q360	X
R350	X	R350	X
R331	X	R331	X
JR356	X	JR356	X

EZ	K	EXCEPT
Q356	25C3052F	X
R362	4.7K	X
R365	10K	X

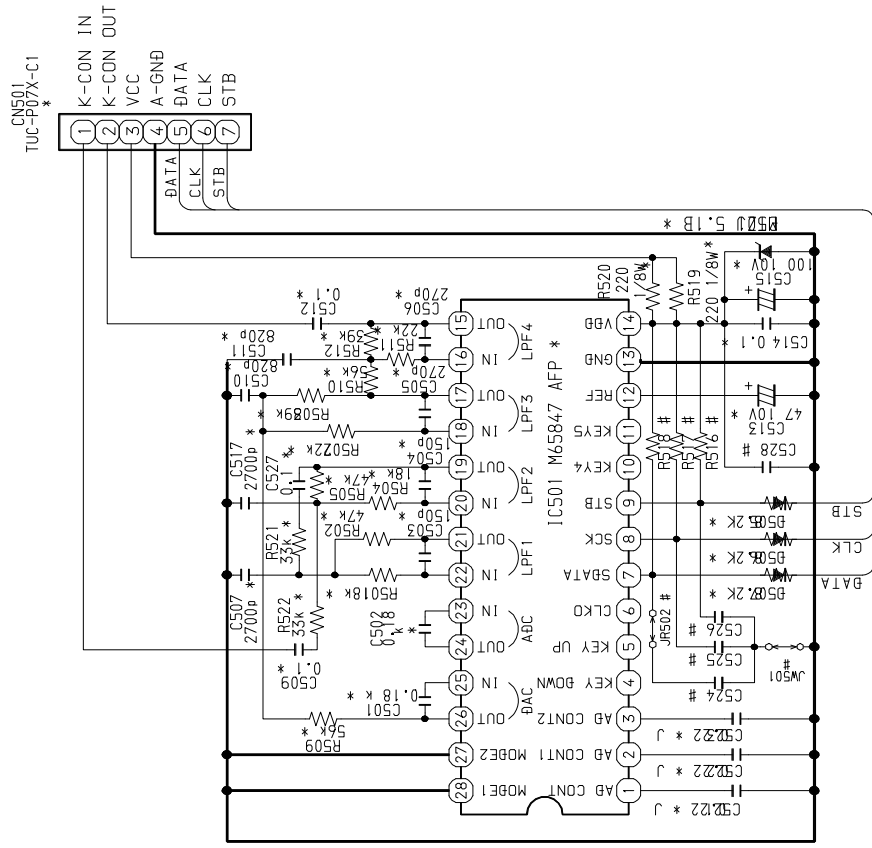
EZ	K	EXCEPT
FB301	EM1BL01RN	JW

T. H. HO YAMAGUCHI  
SCHEMATIC DIAGRAM (BECK)

ZNF-8 LH  
OC-8ZNF8-  
CX-NS555 LH  
30 OCT 98

T-ZNF-8-MATN-ALL (P2)

SCHEMATIC DIAGRAM - 3 (K-CON)



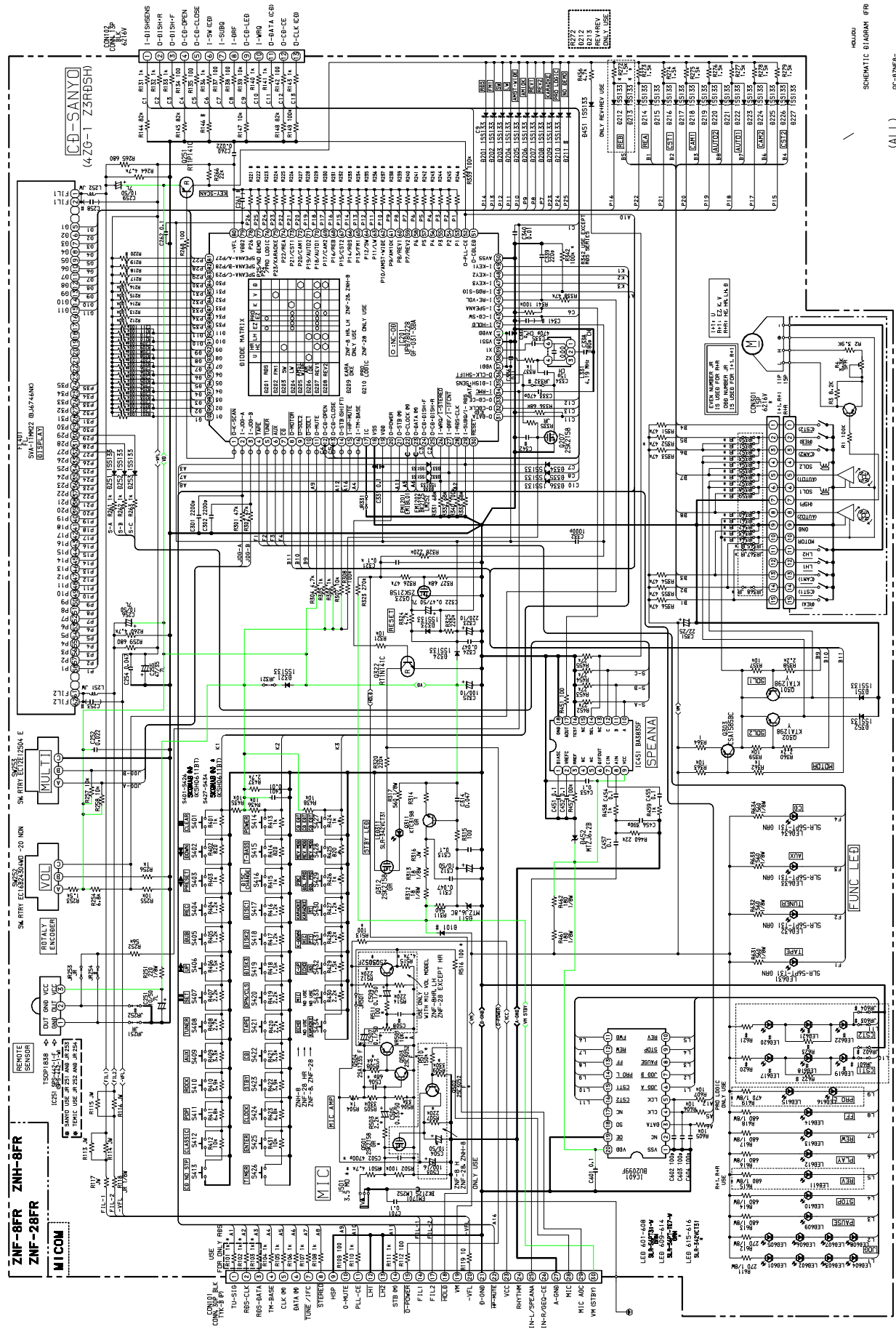
K.OHTSU

SCHEMATIC DIAGRAM (K-CON)

28 AUG 98

[T-ZNF-8-MAIN-ALL (P.3)]

SCHEMATIC DIAGRAM - 4 (FRONT)



**ZNF-8FR**  
**ZNF-28FR**  
**MTCOM**

**SP5ANA**

**FUNC LED**

**LED 601-608**  
**LED 609-616**  
**LED 617-624**  
**LED 625-632**

**LED 633-640**  
**LED 641-648**  
**LED 649-656**  
**LED 657-664**  
**LED 665-672**  
**LED 673-680**  
**LED 681-688**  
**LED 689-696**  
**LED 697-704**  
**LED 705-712**  
**LED 713-720**  
**LED 721-728**  
**LED 729-736**  
**LED 737-744**  
**LED 745-752**  
**LED 753-760**  
**LED 761-768**  
**LED 769-776**  
**LED 777-784**  
**LED 785-792**  
**LED 793-800**  
**LED 801-808**  
**LED 809-816**  
**LED 817-824**  
**LED 825-832**  
**LED 833-840**  
**LED 841-848**  
**LED 849-856**  
**LED 857-864**  
**LED 865-872**  
**LED 873-880**  
**LED 881-888**  
**LED 889-896**  
**LED 897-904**  
**LED 905-912**  
**LED 913-920**  
**LED 921-928**  
**LED 929-936**  
**LED 937-944**  
**LED 945-952**  
**LED 953-960**  
**LED 961-968**  
**LED 969-976**  
**LED 977-984**  
**LED 985-992**  
**LED 993-1000**

**IC** 101-102  
**IC** 103-104  
**IC** 105-106  
**IC** 107-108  
**IC** 109-110  
**IC** 111-112  
**IC** 113-114  
**IC** 115-116  
**IC** 117-118  
**IC** 119-120  
**IC** 121-122  
**IC** 123-124  
**IC** 125-126  
**IC** 127-128  
**IC** 129-130  
**IC** 131-132  
**IC** 133-134  
**IC** 135-136  
**IC** 137-138  
**IC** 139-140  
**IC** 141-142  
**IC** 143-144  
**IC** 145-146  
**IC** 147-148  
**IC** 149-150  
**IC** 151-152  
**IC** 153-154  
**IC** 155-156  
**IC** 157-158  
**IC** 159-160  
**IC** 161-162  
**IC** 163-164  
**IC** 165-166  
**IC** 167-168  
**IC** 169-170  
**IC** 171-172  
**IC** 173-174  
**IC** 175-176  
**IC** 177-178  
**IC** 179-180  
**IC** 181-182  
**IC** 183-184  
**IC** 185-186  
**IC** 187-188  
**IC** 189-190  
**IC** 191-192  
**IC** 193-194  
**IC** 195-196  
**IC** 197-198  
**IC** 199-200

**RES** 201-202  
**RES** 203-204  
**RES** 205-206  
**RES** 207-208  
**RES** 209-210  
**RES** 211-212  
**RES** 213-214  
**RES** 215-216  
**RES** 217-218  
**RES** 219-220  
**RES** 221-222  
**RES** 223-224  
**RES** 225-226  
**RES** 227-228  
**RES** 229-230  
**RES** 231-232  
**RES** 233-234  
**RES** 235-236  
**RES** 237-238  
**RES** 239-240  
**RES** 241-242  
**RES** 243-244  
**RES** 245-246  
**RES** 247-248  
**RES** 249-250  
**RES** 251-252  
**RES** 253-254  
**RES** 255-256  
**RES** 257-258  
**RES** 259-260  
**RES** 261-262  
**RES** 263-264  
**RES** 265-266  
**RES** 267-268  
**RES** 269-270  
**RES** 271-272  
**RES** 273-274  
**RES** 275-276  
**RES** 277-278  
**RES** 279-280  
**RES** 281-282  
**RES** 283-284  
**RES** 285-286  
**RES** 287-288  
**RES** 289-290  
**RES** 291-292  
**RES** 293-294  
**RES** 295-296  
**RES** 297-298  
**RES** 299-300

**CAP** 301-302  
**CAP** 303-304  
**CAP** 305-306  
**CAP** 307-308  
**CAP** 309-310  
**CAP** 311-312  
**CAP** 313-314  
**CAP** 315-316  
**CAP** 317-318  
**CAP** 319-320  
**CAP** 321-322  
**CAP** 323-324  
**CAP** 325-326  
**CAP** 327-328  
**CAP** 329-330  
**CAP** 331-332  
**CAP** 333-334  
**CAP** 335-336  
**CAP** 337-338  
**CAP** 339-340  
**CAP** 341-342  
**CAP** 343-344  
**CAP** 345-346  
**CAP** 347-348  
**CAP** 349-350  
**CAP** 351-352  
**CAP** 353-354  
**CAP** 355-356  
**CAP** 357-358  
**CAP** 359-360  
**CAP** 361-362  
**CAP** 363-364  
**CAP** 365-366  
**CAP** 367-368  
**CAP** 369-370  
**CAP** 371-372  
**CAP** 373-374  
**CAP** 375-376  
**CAP** 377-378  
**CAP** 379-380  
**CAP** 381-382  
**CAP** 383-384  
**CAP** 385-386  
**CAP** 387-388  
**CAP** 389-390  
**CAP** 391-392  
**CAP** 393-394  
**CAP** 395-396  
**CAP** 397-398  
**CAP** 399-400

**CONN** 401-402  
**CONN** 403-404  
**CONN** 405-406  
**CONN** 407-408  
**CONN** 409-410  
**CONN** 411-412  
**CONN** 413-414  
**CONN** 415-416  
**CONN** 417-418  
**CONN** 419-420  
**CONN** 421-422  
**CONN** 423-424  
**CONN** 425-426  
**CONN** 427-428  
**CONN** 429-430  
**CONN** 431-432  
**CONN** 433-434  
**CONN** 435-436  
**CONN** 437-438  
**CONN** 439-440  
**CONN** 441-442  
**CONN** 443-444  
**CONN** 445-446  
**CONN** 447-448  
**CONN** 449-450  
**CONN** 451-452  
**CONN** 453-454  
**CONN** 455-456  
**CONN** 457-458  
**CONN** 459-460  
**CONN** 461-462  
**CONN** 463-464  
**CONN** 465-466  
**CONN** 467-468  
**CONN** 469-470  
**CONN** 471-472  
**CONN** 473-474  
**CONN** 475-476  
**CONN** 477-478  
**CONN** 479-480  
**CONN** 481-482  
**CONN** 483-484  
**CONN** 485-486  
**CONN** 487-488  
**CONN** 489-490  
**CONN** 491-492  
**CONN** 493-494  
**CONN** 495-496  
**CONN** 497-498  
**CONN** 499-500

**SW** 501-502  
**SW** 503-504  
**SW** 505-506  
**SW** 507-508  
**SW** 509-510  
**SW** 511-512  
**SW** 513-514  
**SW** 515-516  
**SW** 517-518  
**SW** 519-520  
**SW** 521-522  
**SW** 523-524  
**SW** 525-526  
**SW** 527-528  
**SW** 529-530  
**SW** 531-532  
**SW** 533-534  
**SW** 535-536  
**SW** 537-538  
**SW** 539-540  
**SW** 541-542  
**SW** 543-544  
**SW** 545-546  
**SW** 547-548  
**SW** 549-550  
**SW** 551-552  
**SW** 553-554  
**SW** 555-556  
**SW** 557-558  
**SW** 559-560  
**SW** 561-562  
**SW** 563-564  
**SW** 565-566  
**SW** 567-568  
**SW** 569-570  
**SW** 571-572  
**SW** 573-574  
**SW** 575-576  
**SW** 577-578  
**SW** 579-580  
**SW** 581-582  
**SW** 583-584  
**SW** 585-586  
**SW** 587-588  
**SW** 589-590  
**SW** 591-592  
**SW** 593-594  
**SW** 595-596  
**SW** 597-598  
**SW** 599-600

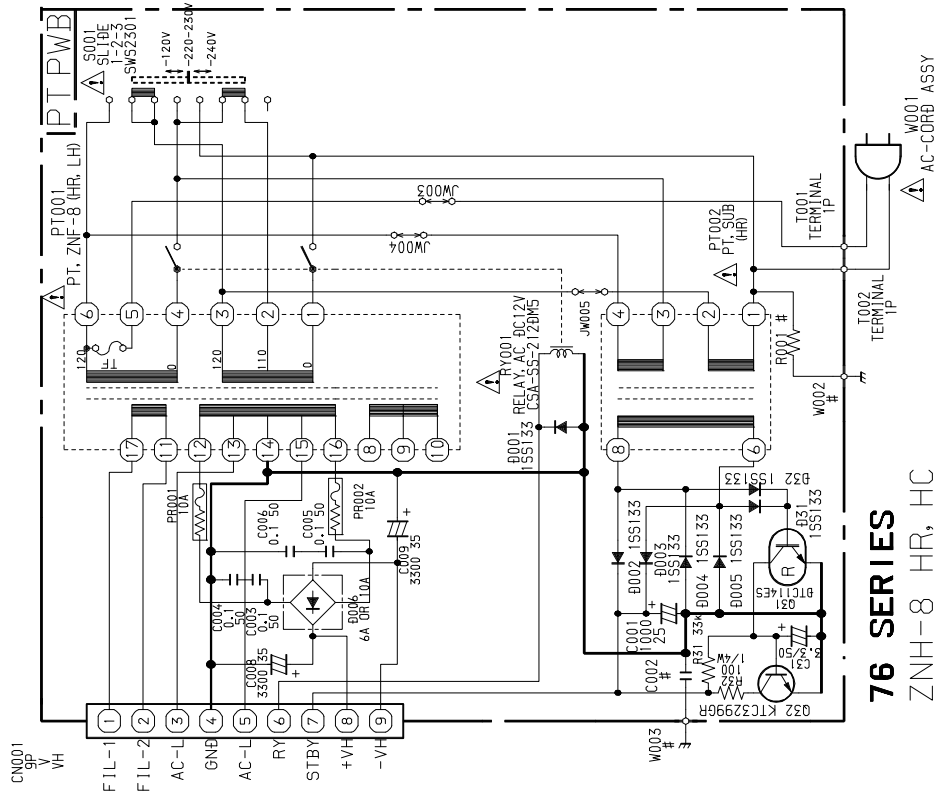
**DIODE** 601-602  
**DIODE** 603-604  
**DIODE** 605-606  
**DIODE** 607-608  
**DIODE** 609-610  
**DIODE** 611-612  
**DIODE** 613-614  
**DIODE** 615-616  
**DIODE** 617-618  
**DIODE** 619-620  
**DIODE** 621-622  
**DIODE** 623-624  
**DIODE** 625-626  
**DIODE** 627-628  
**DIODE** 629-630  
**DIODE** 631-632  
**DIODE** 633-634  
**DIODE** 635-636  
**DIODE** 637-638  
**DIODE** 639-640  
**DIODE** 641-642  
**DIODE** 643-644  
**DIODE** 645-646  
**DIODE** 647-648  
**DIODE** 649-650  
**DIODE** 651-652  
**DIODE** 653-654  
**DIODE** 655-656  
**DIODE** 657-658  
**DIODE** 659-660  
**DIODE** 661-662  
**DIODE** 663-664  
**DIODE** 665-666  
**DIODE** 667-668  
**DIODE** 669-670  
**DIODE** 671-672  
**DIODE** 673-674  
**DIODE** 675-676  
**DIODE** 677-678  
**DIODE** 679-680  
**DIODE** 681-682  
**DIODE** 683-684  
**DIODE** 685-686  
**DIODE** 687-688  
**DIODE** 689-690  
**DIODE** 691-692  
**DIODE** 693-694  
**DIODE** 695-696  
**DIODE** 697-698  
**DIODE** 699-700

**TRANS** 701-702  
**TRANS** 703-704  
**TRANS** 705-706  
**TRANS** 707-708  
**TRANS** 709-710  
**TRANS** 711-712  
**TRANS** 713-714  
**TRANS** 715-716  
**TRANS** 717-718  
**TRANS** 719-720  
**TRANS** 721-722  
**TRANS** 723-724  
**TRANS** 725-726  
**TRANS** 727-728  
**TRANS** 729-730  
**TRANS** 731-732  
**TRANS** 733-734  
**TRANS** 735-736  
**TRANS** 737-738  
**TRANS** 739-740  
**TRANS** 741-742  
**TRANS** 743-744  
**TRANS** 745-746  
**TRANS** 747-748  
**TRANS** 749-750  
**TRANS** 751-752  
**TRANS** 753-754  
**TRANS** 755-756  
**TRANS** 757-758  
**TRANS** 759-760  
**TRANS** 761-762  
**TRANS** 763-764  
**TRANS** 765-766  
**TRANS** 767-768  
**TRANS** 769-770  
**TRANS** 771-772  
**TRANS** 773-774  
**TRANS** 775-776  
**TRANS** 777-778  
**TRANS** 779-780  
**TRANS** 781-782  
**TRANS** 783-784  
**TRANS** 785-786  
**TRANS** 787-788  
**TRANS** 789-790  
**TRANS** 791-792  
**TRANS** 793-794  
**TRANS** 795-796  
**TRANS** 797-798  
**TRANS** 799-800

**RELAY** 801-802  
**RELAY** 803-804  
**RELAY** 805-806  
**RELAY** 807-808  
**RELAY** 809-810  
**RELAY** 811-812  
**RELAY** 813-814  
**RELAY** 815-816  
**RELAY** 817-818  
**RELAY** 819-820  
**RELAY** 821-822  
**RELAY** 823-824  
**RELAY** 825-826  
**RELAY** 827-828  
**RELAY** 829-830  
**RELAY** 831-832  
**RELAY** 833-834  
**RELAY** 835-836  
**RELAY** 837-838  
**RELAY** 839-840  
**RELAY** 841-842  
**RELAY** 843-844  
**RELAY** 845-846  
**RELAY** 847-848  
**RELAY** 849-850  
**RELAY** 851-852  
**RELAY** 853-854  
**RELAY** 855-856  
**RELAY** 857-858  
**RELAY** 859-860  
**RELAY** 861-862  
**RELAY** 863-864  
**RELAY** 865-866  
**RELAY** 867-868  
**RELAY** 869-870  
**RELAY** 871-872  
**RELAY** 873-874  
**RELAY** 875-876  
**RELAY** 877-878  
**RELAY** 879-880  
**RELAY** 881-882  
**RELAY** 883-884  
**RELAY** 885-886  
**RELAY** 887-888  
**RELAY** 889-890  
**RELAY** 891-892  
**RELAY** 893-894  
**RELAY** 895-896  
**RELAY** 897-898  
**RELAY** 899-900

**IC** 901-902  
**IC** 903-904  
**IC** 905-906  
**IC** 907-908  
**IC** 909-910  
**IC** 911-912  
**IC** 913-914  
**IC** 915-916  
**IC** 917-918  
**IC** 919-920  
**IC** 921-922  
**IC** 923-924  
**IC** 925-926  
**IC** 927-928  
**IC** 929-930  
**IC** 931-932  
**IC** 933-934  
**IC** 935-936  
**IC** 937-938  
**IC** 939-940  
**IC** 941-942  
**IC** 943-944  
**IC** 945-946  
**IC** 947-948  
**IC** 949-950  
**IC** 951-952  
**IC** 953-954  
**IC** 955-956  
**IC** 957-958  
**IC** 959-960  
**IC** 961-962  
**IC** 963-964  
**IC** 965-966  
**IC** 967-968  
**IC** 969-970  
**IC** 971-972  
**IC** 973-974  
**IC** 975-976  
**IC** 977-978  
**IC** 979-980  
**IC** 981-982  
**IC** 983-984  
**IC** 985-986  
**IC** 987-988  
**IC** 989-990  
**IC** 991-992  
**IC** 993-994  
**IC** 995-996  
**IC** 997-998  
**IC** 999-1000

SCHEMATIC DIAGRAM - 5 (PS)



T-HOJO T-HOJO  
SCHEMATIC DIAGRAM (PT)

ZNH-8 HR  
CX-NKS80 HR  
18 DEC 1998

[B-ZNH8-AC-76HR]



サービス技術ニュース	
番号	連絡内容
G- -	
G- -	
G- -	

**アイワ株式会社**  
**AIWA CO.,LTD.**

9820527

Tokyo Japan