



NSX-K581 HR

SERVICE MANUAL

COMPACT DISC
STEREO SYSTEM

BASIC CD MECHANISM: 4ZP-1 VOS1RDSHM
BASIC TAPE MECHANISM: 2ZM-3MK2 YPR4NM

- Replace this Service manual with "Revision Publishing" when it is issued.

aiwa
S/M Code No. 09-002-406-6T4

SIMPLE

DATA

ELECTRICAL MAIN PARTS LIST - 1/8

NOTE: The characters in the suffix column indicate the part usage.

REF.NO	PARTS NO.	DESCRIPTION	SUFFIX	
HRJSC3MXX.....	A.....	
		KANRI		
		NO.		
C	503	87-010-112-040	CAP,E 100-16	A.....
C	502	87-010-186-080	CAP,CHIP 4700P	A.....
C	506	87-010-320-080	CHIP CAP 68P	A.....
C	504	87-010-405-040	CAP,E 10-50	A.....
C	505	87-010-546-040	CAP,E 0.33-50	A.....
J	501	87-A60-651-010	JACK,3.5MONO	A.....
Q	504	87-A30-075-080	C-TR,2SA1235F	A.....
Q	502	87-A30-076-080	C-TR,2SC3052F	A.....
Q	503	87-A30-076-080	C-TR,2SC3052F	A.....
Q	501	87-A30-087-080	C-FET,2SK2158	A.....
R	515	87-010-178-080	CHIP CAP 1000P	A.....
C	1	87-010-387-080	CAP,E 470-25 SME	A.....
C	9	87-A10-520-000	CAP,E 3300-35 M SMG	A.....
C	8	87-A10-520-000	CAP,E 3300-35 M SMG	A.....
C	5	87-A11-148-080	CAP,TC U 0.1-50 Z F	A.....
C	4	87-A11-148-080	CAP,TC U 0.1-50 Z F	A.....
C	3	87-A11-148-080	CAP,TC U 0.1-50 Z F	A.....
C	6	87-A11-148-080	CAP,TC U 0.1-50 Z F	A.....
C	31	87-010-403-040	CAP,E 3.3-50 SME	A.....
CN	1	87-A60-851-010	CONN,9P V VH	A.....
D	4	87-020-465-080	DIODE,1SS133 (110MA)	A.....
D	3	87-020-465-080	DIODE,1SS133 (110MA)	A.....
D	1	87-020-465-080	DIODE,1SS133 (110MA)	A.....
D	5	87-020-465-080	DIODE,1SS133 (110MA)	A.....
D	2	87-020-465-080	DIODE,1SS133 (110MA)	A.....
D	6	87-A40-548-090	DIODE,D3SBA20	A.....
D	31	87-020-465-080	DIODE,1SS133 (110MA)	A.....
D	32	87-020-465-080	DIODE,1SS133 (110MA)	A.....
PR	2	87-026-682-080	PROTECTOR,10A 60V491	A.....
PR	1	87-026-682-080	PROTECTOR,10A 60V491	A.....
PT	2	8Z-NF8-663-010	PT,SUB ZNF-8(H)	A.....
Q	31	87-026-245-080	TR,DTC114ES	A.....
Q	32	87-A30-198-080	TR,KTC3199GR	A.....
RY	1	87-A91-281-010	RELAY,AC DC12V OSA-SS-212DM5	A.....
S	1	87-A90-165-010	SW,SL 1-2-3 SWS2301	A.....
T	1	87-A60-317-010	TERMINAL, 1P MSC	A.....
T	2	87-A60-317-010	TERMINAL, 1P MSC	A.....
		88-NF8-205-010	GUIDE,FL	A.....
		8Z-NF8-201-110	GUIDE,OPE	A.....
		8Z-NF8-202-010	GUIDE,FUN	A.....
C	201	87-010-175-080	CAP 560P	A.....
C	205	87-010-322-080	C-CAP,S 100P-50 CH	A.....
C	207	87-010-322-080	C-CAP,S 100P-50 CH	A.....
C	206	87-010-322-080	C-CAP,S 100P-50 CH	A.....
C	208	87-010-322-080	C-CAP,S 100P-50 CH	A.....
C	209	87-010-322-080	C-CAP,S 100P-50 CH	A.....
C	202	87-010-322-080	C-CAP,S 100P-50 CH	A.....
C	204	87-010-322-080	C-CAP,S 100P-50 CH	A.....
C	201	87-012-140-080	CAP 470P	A.....
C	203	87-012-140-080	CAP 470P	A.....
C	203	87-012-157-080	C-CAP,S 330P-50 CH	A.....
C	210	87-010-322-080	C-CAP,S 100P-50 CH	A.....
C	211	87-012-140-080	CAP 470P	A.....
C	211	87-012-157-080	C-CAP,S 330P-50 CH	A.....
C	254	87-010-194-080	CAP, CHIP 0.047	A.....
C	252	87-010-198-080	CAP, CHIP 0.022	A.....
C	256	87-015-699-040	CAP,E 10-50 7L	A.....
C	251	87-015-699-040	CAP,E 10-50 7L	A.....
C	259	87-015-699-040	CAP,E 10-50 7L	A.....
C	255	87-A10-797-040	CAP,E 47-35 M 5L SRM	A.....
C	262	87-010-196-080	CHIP CAPACITOR,0.1-25	A.....
C	260	87-010-198-080	CAP, CHIP 0.022	A.....
C	302	87-010-182-080	C-CAP,S 2200P-50 B	A.....
C	301	87-010-182-080	C-CAP,S 2200P-50 B	A.....
C	311	87-010-194-080	CAP, CHIP 0.047	A.....
C	314	87-010-194-080	CAP, CHIP 0.047	A.....
C	313	87-010-196-080	CHIP CAPACITOR,0.1-25	A.....
C	312	87-010-405-040	CAP,E 10-50	A.....
C	324	87-010-194-080	CAP, CHIP 0.047	A.....
C	321	87-010-196-080	CHIP CAPACITOR,0.1-25	A.....
C	325	87-010-263-040	CAP,E 100-10	A.....
C	322	87-015-694-040	E/CAP 0.47-50	A.....
C	323	87-016-459-040	CAP,E 470-10 SMG	A.....
C	332	87-010-178-080	CHIP CAP 1000P	A.....
C	336	87-010-196-080	CHIP CAPACITOR,0.1-25	A.....
C	331	87-010-196-080	CHIP CAPACITOR,0.1-25	A.....
C	337	87-010-196-080	CHIP CAPACITOR,0.1-25	A.....
C	334	87-010-312-080	C-CAP,S 15P-50 CH	A.....
C	333	87-012-140-080	CAP 470P	A.....
C	335	87-012-140-080	CAP 470P	A.....
C	338	87-012-155-080	C-CAP 180P-50CH	A.....
C	339	87-012-156-080	C-CAP,S 220P-50 CH	A.....
C	341	87-010-194-080	CAP, CHIP 0.047	A.....
C	340	87-010-197-080	CAP, CHIP 0.01 DM	A.....
C	351	87-010-382-040	CAP,E 22-25 SME	A.....
C	401	87-010-197-080	CAP, CHIP 0.01 DM	A.....

ELECTRICAL MAIN PARTS LIST - 2/8

C	451	87-010-196-080	CHIP CAPACITOR,0.1-25	A.....
C	455	87-010-196-080	CHIP CAPACITOR,0.1-25	A.....
C	457	87-010-196-080	CHIP CAPACITOR,0.1-25	A.....
C	454	87-010-196-080	CHIP CAPACITOR,0.1-25	A.....
C	452	87-010-196-080	CHIP CAPACITOR,0.1-25	A.....
C	453	87-010-196-080	CHIP CAPACITOR,0.1-25	A.....
C	456	87-012-158-080	C-CAP,S 390P-50 CH	A.....
C	601	87-010-196-080	CHIP CAPACITOR,0.1-25	A.....
C	602	87-010-322-080	C-CAP,S 100P-50 CH	A.....
C	603	87-010-322-080	C-CAP,S 100P-50 CH	A.....
C	604	87-010-322-080	C-CAP,S 100P-50 CH	A.....
C	701	87-010-196-080	CHIP CAPACITOR,0.1-25	A.....
C	701	87-A10-229-080	C-CAP,S 0.68-10 K W5	A.....
CON	102	87-099-015-010	CONN,13P 6216V	A.....
CON	101	88-NF9-658-010	CONN,30P BLK TYK-B(P)	A.....
CON	301	87-099-017-010	CONN,15P 6216 V	A.....
D	203	87-020-465-080	DIODE,1SS133 (110MA)	A.....
D	209	87-020-465-080	DIODE,1SS133 (110MA)	A.....
D	207	87-020-465-080	DIODE,1SS133 (110MA)	A.....
D	208	87-020-465-080	DIODE,1SS133 (110MA)	A.....
D	208	87-A40-291-080	DIODE,1N4148 (CPT)
D	209	87-A40-291-080	DIODE,1N4148 (CPT)
D	207	87-A40-291-080	DIODE,1N4148 (CPT)
D	203	87-A40-291-080	DIODE,1N4148 (CPT)
D	216	87-020-465-080	DIODE,1SS133 (110MA)	A.....
D	214	87-020-465-080	DIODE,1SS133 (110MA)	A.....
D	215	87-020-465-080	DIODE,1SS133 (110MA)	A.....
D	213	87-020-465-080	DIODE,1SS133 (110MA)	A.....
D	218	87-020-465-080	DIODE,1SS133 (110MA)	A.....
D	217	87-020-465-080	DIODE,1SS133 (110MA)	A.....
D	219	87-020-465-080	DIODE,1SS133 (110MA)	A.....
D	212	87-020-465-080	DIODE,1SS133 (110MA)	A.....
D	219	87-A40-291-080	DIODE,1N4148 (CPT)
D	216	87-A40-291-080	DIODE,1N4148 (CPT)
D	215	87-A40-291-080	DIODE,1N4148 (CPT)
D	217	87-A40-291-080	DIODE,1N4148 (CPT)
D	213	87-A40-291-080	DIODE,1N4148 (CPT)
D	214	87-A40-291-080	DIODE,1N4148 (CPT)
D	212	87-A40-291-080	DIODE,1N4148 (CPT)
D	218	87-A40-291-080	DIODE,1N4148 (CPT)
D	221	87-020-465-080	DIODE,1SS133 (110MA)	A.....
D	225	87-020-465-080	DIODE,1SS133 (110MA)	A.....
D	220	87-020-465-080	DIODE,1SS133 (110MA)	A.....
D	226	87-020-465-080	DIODE,1SS133 (110MA)	A.....
D	223	87-020-465-080	DIODE,1SS133 (110MA)	A.....
D	222	87-020-465-080	DIODE,1SS133 (110MA)	A.....
D	224	87-020-465-080	DIODE,1SS133 (110MA)	A.....
D	227	87-020-465-080	DIODE,1SS133 (110MA)	A.....
D	221	87-A40-291-080	DIODE,1N4148 (CPT)
D	225	87-A40-291-080	DIODE,1N4148 (CPT)
D	220	87-A40-291-080	DIODE,1N4148 (CPT)
D	226	87-A40-291-080	DIODE,1N4148 (CPT)
D	223	87-A40-291-080	DIODE,1N4148 (CPT)
D	222	87-A40-291-080	DIODE,1N4148 (CPT)
D	224	87-A40-291-080	DIODE,1N4148 (CPT)
D	227	87-A40-291-080	DIODE,1N4148 (CPT)
D	252	87-020-465-080	DIODE,1SS133 (110MA)	A.....
D	253	87-020-465-080	DIODE,1SS133 (110MA)	A.....
D	251	87-020-465-080	DIODE,1SS133 (110MA)	A.....
D	253	87-A40-291-080	DIODE,1N4148 (CPT)
D	251	87-A40-291-080	DIODE,1N4148 (CPT)
D	252	87-A40-291-080	DIODE,1N4148 (CPT)
D	311	87-A40-509-080	ZENER,MTZJ6.8C	A.....
D	323	87-020-465-080	DIODE,1SS133 (110MA)	A.....
D	324	87-020-465-080	DIODE,1SS133 (110MA)	A.....
D	321	87-020-465-080	DIODE,1SS133 (110MA)	A.....
D	323	87-A40-291-080	DIODE,1N4148 (CPT)
D	324	87-A40-291-080	DIODE,1N4148 (CPT)
D	321	87-A40-291-080	DIODE,1N4148 (CPT)
D	334	87-020-465-080	DIODE,1SS133 (110MA)	A.....
D	333	87-020-465-080	DIODE,1SS133 (110MA)	A.....
D	332	87-020-465-080	DIODE,1SS133 (110MA)	A.....
D	331	87-020-465-080	DIODE,1SS133 (110MA)	A.....
D	335	87-020-465-080	DIODE,1SS133 (110MA)	A.....
D	332	87-A40-291-080	DIODE,1N4148 (CPT)
D	334	87-A40-291-080	DIODE,1N4148 (CPT)
D	331	87-A40-291-080	DIODE,1N4148 (CPT)
D	333	87-A40-291-080	DIODE,1N4148 (CPT)
D	335	87-A40-291-080	DIODE,1N4148 (CPT)
D	352	87-020-465-080	DIODE,1SS133 (110MA)	A.....
D	351	87-020-465-080	DIODE,1SS133 (110MA)	A.....
D	351	87-A40-291-080	DIODE,1N4148 (CPT)
D	352	87-A40-291-080	DIODE,1N4148 (CPT)
D	452	87-017-932-080	ZENER,MTJ6.2B	A.....
D	451	87-020-465-080	DIODE,1SS133 (110MA)	A.....
D	451	87-A40-291-080	DIODE,1N4148 (CPT)
EMI	201	87-008-372-080	FILTER,EMI BL OIRNI	A.....
EMI	202	87-A50-322-080	C-COIL,S BK2125 LM252	A.....
EMI	701	87-A50-322-080	C-COIL,S BK2125 LM252	A.....
FL	401	8Z-NH8-603-010	FL,BJ674GNK	A.....
IC	201	8Z-NH8-614-010	C-IC,UPD780228GF-044-3BA	A.....
IC	201	8Z-NH8-621-010	C-IC,UPD780228GF-XXX

ELECTRICAL MAIN PARTS LIST - 3/8

IC	251	87-A20-951-010	IC, TSOP1838RF1	A
IC	451	87-A21-023-040	C-IC, BA3835F	A
IC	601	87-A21-021-040	C-IC, BU2099FV	A
L	331	87-A50-434-010	COIL, CLK 4.19M(TOKO)	A
LED	311	87-A40-317-080	LED, SLR-342VCT31 RED	A
LED	608	87-A40-619-040	LED, SLR-56PT-T31-W GRN	A
LED	603	87-A40-619-040	LED, SLR-56PT-T31-W GRN	A
LED	602	87-A40-619-040	LED, SLR-56PT-T31-W GRN	A
LED	606	87-A40-619-040	LED, SLR-56PT-T31-W GRN	A
LED	607	87-A40-619-040	LED, SLR-56PT-T31-W GRN	A
LED	605	87-A40-619-040	LED, SLR-56PT-T31-W GRN	A
LED	604	87-A40-619-040	LED, SLR-56PT-T31-W GRN	A
LED	601	87-A40-619-040	LED, SLR-56PT-T31-W GRN	A
LED	609	87-A40-619-080	LED, SLR-56PT-TE7-W GRN	A
LED	612	87-A40-619-080	LED, SLR-56PT-TE7-W GRN	A
LED	613	87-A40-619-080	LED, SLR-56PT-TE7-W GRN	A
LED	611	87-A40-619-080	LED, SLR-56PT-TE7-W GRN	A
LED	614	87-A40-619-080	LED, SLR-56PT-TE7-W GRN	A
LED	610	87-A40-619-080	LED, SLR-56PT-TE7-W GRN	A
LED	633	87-A40-619-040	LED, SLR-56PT-T31-W GRN	A
LED	632	87-A40-619-040	LED, SLR-56PT-T31-W GRN	A
LED	634	87-A40-619-040	LED, SLR-56PT-T31-W GRN	A
LED	631	87-A40-619-040	LED, SLR-56PT-T31-W GRN	A
Q	207	87-A30-087-080	C-FET, 2SK2158	A
Q	251	87-A30-074-080	C-TR, RT1P 141C	A
Q	302	87-A30-067-080	C-TR, 2SA 1298Y	A
Q	301	87-A30-067-080	C-TR, 2SA 1298Y	A
Q	303	87-A30-329-080	TR, CD1585BC	A
Q	311	87-026-610-080	TR, KTC3198GR	A
Q	312	87-A30-087-080	C-FET, 2SK2158	A
Q	322	87-A30-073-080	C-TR, RT1N 141C	A
Q	323	87-A30-087-080	C-FET, 2SK2158	A
S	402	87-A90-164-080	SW, TACT SKQAB(N)	A
S	401	87-A90-164-080	SW, TACT SKQAB(N)	A
S	406	87-A90-164-080	SW, TACT SKQAB(N)	A
S	407	87-A90-164-080	SW, TACT SKQAB(N)	A
S	403	87-A90-164-080	SW, TACT SKQAB(N)	A
S	404	87-A91-024-180	SW, TACT KSH0611BT	A
S	405	87-A91-024-180	SW, TACT KSH0611BT	A
S	408	87-A91-024-180	SW, TACT KSH0611BT	A
S	409	87-A91-024-180	SW, TACT KSH0611BT	A
S	414	87-A91-024-180	SW, TACT KSH0611BT	A
S	413	87-A91-024-180	SW, TACT KSH0611BT	A
S	412	87-A91-024-180	SW, TACT KSH0611BT	A
S	415	87-A91-024-180	SW, TACT KSH0611BT	A
S	416	87-A91-024-180	SW, TACT KSH0611BT	A
S	418	87-A91-024-180	SW, TACT KSH0611BT	A
S	410	87-A91-024-180	SW, TACT KSH0611BT	A
S	411	87-A91-024-180	SW, TACT KSH0611BT	A
S	417	87-A91-024-180	SW, TACT KSH0611BT	A
S	419	87-A91-024-180	SW, TACT KSH0611BT	A
S	421	87-A91-024-180	SW, TACT KSH0611BT	A
S	425	87-A91-024-180	SW, TACT KSH0611BT	A
S	423	87-A91-024-180	SW, TACT KSH0611BT	A
S	429	87-A91-024-180	SW, TACT KSH0611BT	A
S	427	87-A91-024-180	SW, TACT KSH0611BT	A
S	424	87-A91-024-180	SW, TACT KSH0611BT	A
S	420	87-A91-024-180	SW, TACT KSH0611BT	A
S	422	87-A91-024-180	SW, TACT KSH0611BT	A
S	426	87-A91-024-180	SW, TACT KSH0611BT	A
S	428	87-A91-024-180	SW, TACT KSH0611BT	A
S	433	87-A91-024-180	SW, TACT KSH0611BT	A
S	434	87-A91-024-180	SW, TACT KSH0611BT	A
S	431	87-A91-024-180	SW, TACT KSH0611BT	A
S	430	87-A91-024-180	SW, TACT KSH0611BT	A
S	432	87-A91-024-180	SW, TACT KSH0611BT	A
SW	252	87-A90-535-010	SW, RTRY EC16B24304	A
SW	253	87-A90-950-010	SW, RTRY EC12E12504 ENCODER	A
C	307	87-010-196-080	CHIP CAPACITOR, 0.1-25	A
C	309	87-010-196-080	CHIP CAPACITOR, 0.1-25	A
C	301	87-010-318-080	C-CAP, S 47P-50 CH	A
C	302	87-010-318-080	C-CAP, S 47P-50 CH	A
C	306	87-012-145-080	CAP, CHIP S 270P CH	A
C	305	87-012-145-080	CAP, CHIP S 270P CH	A
C	303	87-012-157-080	C-CAP, S 330P-50 CH	A
C	304	87-012-157-080	C-CAP, S 330P-50 CH	A
C	313	87-010-178-080	CHIP CAP 1000P	A
C	316	87-010-178-080	CHIP CAP 1000P	A
C	315	87-010-178-080	CHIP CAP 1000P	A
C	314	87-010-178-080	CHIP CAP 1000P	A
C	310	87-010-196-080	CHIP CAPACITOR, 0.1-25	A
C	312	87-010-198-080	CAP, CHIP 0.022	A
C	311	87-010-198-080	CAP, CHIP 0.022	A
C	324	87-010-260-080	CAP, ELECT 47-25V	A
C	325	87-010-370-080	CAP, E 330-6.3 SME	A
C	327	87-010-404-080	CAP, ELECT 4.7-50V	A
C	328	87-010-404-080	CAP, ELECT 4.7-50V	A
C	321	87-016-492-080	C-CAP, S 0.33-16 FZ	A
C	322	87-016-492-080	C-CAP, S 0.33-16 FZ	A
C	337	87-010-196-080	CHIP CAPACITOR, 0.1-25	A
C	332	87-010-196-080	CHIP CAPACITOR, 0.1-25	A
C	339	87-010-196-080	CHIP CAPACITOR, 0.1-25	A

ELECTRICAL MAIN PARTS LIST - 4/8

C	336	87-010-401-080	CAP, ELECT 1-50V	A.
C	335	87-010-401-080	CAP, ELECT 1-50V	A.
C	340	87-010-196-080	CHIP CAPACITOR,0.1-25	A.
C	354	87-010-175-080	CAP 560P	A.
C	359	87-010-183-080	C-CAP,S 2700P-50 B	A.
C	358	87-010-183-080	C-CAP,S 2700P-50 B	A.
C	357	87-010-197-080	CAP, CHIP 0.01 DM	A.
C	356	87-010-260-080	CAP, ELECT 47-25V	A.
C	351	87-012-140-080	CAP 470P	A.
C	352	87-012-140-080	CAP 470P	A.
C	355	87-012-349-080	C-CAP,S 1000P-50 CH	A.
C	360	87-010-183-080	C-CAP,S 2700P-50 B	A.
C	363	87-A10-292-080	CAP,M 5600P-50 J	A.
C	378	87-010-196-080	CHIP CAPACITOR,0.1-25	A.
C	370	87-010-196-080	CHIP CAPACITOR,0.1-25	A.
C	379	87-010-382-080	CAP, ELECT 22-25V	A.
C	373	87-016-083-080	C-CAP,S 0.15-16 RK	A.
C	374	87-016-083-080	C-CAP,S 0.15-16 RK	A.
C	386	87-010-196-080	CHIP CAPACITOR,0.1-25	A.
C	380	87-010-382-080	CAP, ELECT 22-25V	A.
C	388	87-012-156-080	C-CAP,S 220P-50 CH	A.
C	394	87-010-319-080	C-CAP,S 56P-50 CH	A.
C	391	87-010-319-080	C-CAP,S 56P-50 CH	A.
C	392	87-010-319-080	C-CAP,S 56P-50 CH	A.
C	393	87-010-319-080	C-CAP,S 56P-50 CH	A.
CN	301	87-099-827-010	CONN,3P S2M-3W	A.
CN	351	87-099-832-010	CONN,8P S2M-8W	A.
D	352	87-A40-269-080	C-DIODE,MC2836	A.
IC	303	87-A20-783-040	C-IC,BA7762AFS	A.
L	302	87-A50-049-010	COIL,TRAP 85K(COI)	A.
L	301	87-A50-049-010	COIL,TRAP 85K(COI)	A.
L	351	87-007-342-010	COIL,OSC 85K BIAS	A.
Q	357	87-026-610-080	TR,KTC3198GR	A.
Q	359	87-026-610-080	TR,KTC3198GR	A.
Q	358	87-026-610-080	TR,KTC3198GR	A.
Q	353	87-A30-087-080	C-FET,2SK2158	A.
Q	354	87-A30-087-080	C-FET,2SK2158	A.
Q	351	87-A30-087-080	C-FET,2SK2158	A.
Q	355	87-A30-105-080	C-TR,RT1P 441C	A.
SFR	351	87-A90-433-080	SFR,50K H NVZ6TLTA	A.
SFR	352	87-A90-433-080	SFR,50K H NVZ6TLTA	A.
C	507	87-010-183-080	C-CAP,S 2700P-50 B	A.
C	509	87-010-196-080	CHIP CAPACITOR,0.1-25	A.
C	506	87-012-145-080	CAP, CHIP S 270P CH	A.
C	505	87-012-145-080	CAP, CHIP S 270P CH	A.
C	503	87-012-154-080	C-CAP,S 150P-50 CH	A.
C	504	87-012-154-080	C-CAP,S 150P-50 CH	A.
C	502	87-A10-060-080	C-CAP,S 0.18-16 K B	A.
C	501	87-A10-060-080	C-CAP,S 0.18-16 K B	A.
C	511	87-010-177-080	C-CAP,S 820P-50 SL	A.
C	510	87-010-177-080	C-CAP,S 820P-50 SL	A.
C	517	87-010-183-080	C-CAP,S 2700P-50 B	A.
C	514	87-010-196-080	CHIP CAPACITOR,0.1-25	A.
C	512	87-010-196-080	CHIP CAPACITOR,0.1-25	A.
C	515	87-010-263-080	CAP, ELECT 100-10V	A.
C	513	87-010-374-080	CAP, ELECT 47-10V	A.
C	527	87-010-196-080	CHIP CAPACITOR,0.1-25	A.
C	521	87-016-460-080	C-CAP,S 0.22-16 B	A.
C	523	87-016-460-080	C-CAP,S 0.22-16 B	A.
C	522	87-016-460-080	C-CAP,S 0.22-16 B	A.
CN	502	87-099-566-010	CONN,7P TUC-P7P-B1	A.
CN	501	87-A60-689-010	CONN,7P H GRY TUC-P07X-C1	A.
D	501	87-070-136-080	ZENER,MTZJ5.1B	A.
IC	501	87-A20-561-040	C-IC,M65847AFP	A.
C	5	87-012-368-080	C-CAP,S 0.1-50 F	A.
C	6	87-012-368-080	C-CAP,S 0.1-50 F	A.
C	3	87-012-368-080	C-CAP,S 0.1-50 F	A.
C	4	87-012-368-080	C-CAP,S 0.1-50 F	A.
C	2	87-012-369-080	C-CAP,S 0.047-50F	A.
C	1	87-012-369-080	C-CAP,S 0.047-50F	A.
C	9	87-A10-520-000	CAP,E 3300-35 M SMG	A.
C	10	87-A10-520-000	CAP,E 3300-35 M SMG	A.
C	27	87-010-197-080	CAP, CHIP 0.01 DM	A.
C	24	87-010-247-080	CAP, ELECT 100-50V	A.
C	23	87-010-247-080	CAP, ELECT 100-50V	A.
C	29	87-010-247-080	CAP, ELECT 100-50V	A.
C	26	87-010-263-080	CAP, ELECT 100-10V	A.
C	29	87-010-385-080	CAP, ELECT 220-25V	A.
C	22	87-010-385-080	CAP, ELECT 220-25V	A.
C	21	87-010-385-080	CAP, ELECT 220-25V	A.
C	25	87-010-430-080	CAP, ELECT 100-63	A.
C	30	87-010-112-080	CAP, ELECT 100-16V	A.
C	31	87-010-235-080	CAP,E 470-16 SME	A.
C	34	87-016-100-080	CAP,E 10-50 BP	A.
C	33	87-016-100-080	CAP,E 10-50 BP	A.
C	61	87-010-260-080	CAP, ELECT 47-25V	A.
C	62	87-010-403-080	CAP, ELECT 3.3-50V	A.
CNA	1	8Z-NF8-669-110	CONN ASSY,9P VH	A.
D	8	87-020-465-080	DIODE,1SS133 (110MA)	A.
D	9	87-020-465-080	DIODE,1SS133 (110MA)	A.
D	4	87-070-274-080	DIODE,1N4003 SEM	A.
D	6	87-070-274-080	DIODE,1N4003 SEM	A.

ELECTRICAL MAIN PARTS LIST - 5/8

D	3	87-070-274-080	DIODE, 1N4003 SEM	A.....
D	5	87-070-274-080	DIODE, 1N4003 SEM	A.....
D	8	87-A40-291-080	DIODE, 1N4148 (CPT)
D	9	87-A40-291-080	DIODE, 1N4148 (CPT)
D	7	87-A40-383-080	ZENER, MTZJ30A	A.....
D	1	87-A40-548-090	DIODE, D3SBA20	A.....
D	10	87-A40-345-080	ZENER, MTZJ10C	A.....
D	64	87-070-274-080	DIODE, 1N4003 SEM	A.....
D	62	87-A40-269-080	C-DIODE, MC2836	A.....
D	61	87-A40-270-080	C-DIODE, MC2838	A.....
D	99	87-070-322-080	ZENER, MTZJ 36D	A.....
Q	1	87-026-609-080	TR, KTA1266GR	A.....
Q	2	87-026-609-080	TR, KTA1266GR	A.....
Q	5	87-026-610-080	TR, KTC3198GR	A.....
Q	8	87-A30-075-080	C-TR, 2SA1235F	A.....
Q	6	87-A30-076-080	C-TR, 2SC3052F	A.....
Q	9	87-A30-196-080	TR, 2SC4115SRS	A.....
Q	4	89-213-702-010	TR, 2SB1370 (1.8W)	A.....
Q	61	87-A30-074-080	C-TR, RT1P 141C	A.....
Q	64	87-A30-075-080	C-TR, 2SA1235F	A.....
Q	62	87-A30-075-080	C-TR, 2SA1235F	A.....
Q	66	87-A30-075-080	C-TR, 2SA1235F	A.....
Q	63	87-A30-076-080	C-TR, 2SC3052F	A.....
Q	65	87-A30-076-080	C-TR, 2SC3052F	A.....
Q	67	87-A30-076-080	C-TR, 2SC3052F	A.....
WH	1	87-A90-510-010	HLDR, WIRE 2.5-9P	A.....
		87-067-703-010	TAPPING SCREW, BVT2+3-10	A.....
C	102	87-010-178-080	CHIP CAP 1000P	A.....
C	101	87-010-178-080	CHIP CAP 1000P	A.....
C	103	87-010-405-080	CAP, ELECT 10-50V	A.....
C	104	87-010-405-080	CAP, ELECT 10-50V	A.....
C	108	87-010-408-080	CAP, ELECT 47-50V	A.....
C	107	87-010-408-080	CAP, ELECT 47-50V	A.....
C	111	87-010-260-080	CAP, ELECT 47-25V	A.....
C	112	87-010-260-080	CAP, ELECT 47-25V	A.....
C	113	87-A10-946-080	C-CAP, S 220P-100 J CH	A.....
C	114	87-A10-946-080	C-CAP, S 220P-100 J CH	A.....
C	117	87-A11-185-080	C-CAP, 0.47-50 F Z	A.....
C	118	87-A11-185-080	C-CAP, 0.47-50 F Z	A.....
C	124	87-010-176-080	C-CAP, S 680P-50 SL	A.....
C	123	87-010-176-080	C-CAP, S 680P-50 SL	A.....
C	121	87-010-178-080	CHIP CAP 1000P	A.....
C	122	87-010-178-080	CHIP CAP 1000P	A.....
C	129	87-010-191-080	C-CAP, S 0.015-50 F	A.....
C	127	87-012-368-080	C-CAP, S 0.1-50 F	A.....
C	126	87-012-368-080	C-CAP, S 0.1-50 F	A.....
C	128	87-012-368-080	C-CAP, S 0.1-50 F	A.....
C	125	87-012-368-080	C-CAP, S 0.1-50 F	A.....
C	130	87-010-191-080	C-CAP, S 0.015-50 F	A.....
C	132	87-010-197-080	CAP, CHIP 0.01 DM	A.....
C	131	87-010-197-080	CAP, CHIP 0.01 DM	A.....
C	133	87-010-197-080	CAP, CHIP 0.01 DM	A.....
C	135	87-010-394-080	CAP ELECT220-35V
D	109	87-020-465-080	DIODE, 1SS133 (110MA)	A.....
D	108	87-020-465-080	DIODE, 1SS133 (110MA)	A.....
D	107	87-020-465-080	DIODE, 1SS133 (110MA)	A.....
D	101	87-020-465-080	DIODE, 1SS133 (110MA)	A.....
D	104	87-020-465-080	DIODE, 1SS133 (110MA)	A.....
D	102	87-020-465-080	DIODE, 1SS133 (110MA)	A.....
D	103	87-020-465-080	DIODE, 1SS133 (110MA)	A.....
D	107	87-A40-291-080	DIODE, 1N4148 (CPT)
D	102	87-A40-291-080	DIODE, 1N4148 (CPT)
D	101	87-A40-291-080	DIODE, 1N4148 (CPT)
D	109	87-A40-291-080	DIODE, 1N4148 (CPT)
D	104	87-A40-291-080	DIODE, 1N4148 (CPT)
D	103	87-A40-291-080	DIODE, 1N4148 (CPT)
D	108	87-A40-291-080	DIODE, 1N4148 (CPT)
D	115	87-020-465-080	DIODE, 1SS133 (110MA)	A.....
D	110	87-020-465-080	DIODE, 1SS133 (110MA)	A.....
D	114	87-020-465-080	DIODE, 1SS133 (110MA)	A.....
D	113	87-020-465-080	DIODE, 1SS133 (110MA)	A.....
D	112	87-020-465-080	DIODE, 1SS133 (110MA)	A.....
D	111	87-A40-270-080	C-DIODE, MC2838	A.....
D	112	87-A40-291-080	DIODE, 1N4148 (CPT)
D	113	87-A40-291-080	DIODE, 1N4148 (CPT)
D	114	87-A40-291-080	DIODE, 1N4148 (CPT)
D	110	87-A40-291-080	DIODE, 1N4148 (CPT)
D	115	87-A40-291-080	DIODE, 1N4148 (CPT)
J	203	87-A60-238-010	TERMINAL, SP 4P (MSC)	A.....
J	201	87-A60-929-010	JACK, DIA6.3 BLK ST W/S TAI	A.....
L	101	87-003-383-010	COIL, 1UH-S	A.....
L	102	87-003-383-010	COIL, 1UH-S	A.....
PR	101	87-A90-246-080	PROTECTOR, 0.25A 60 4
Q	106	87-A30-075-080	C-TR, 2SA1235F	A.....
Q	105	87-A30-075-080	C-TR, 2SA1235F	A.....
Q	103	87-A30-075-080	C-TR, 2SA1235F	A.....
Q	104	87-A30-075-080	C-TR, 2SA1235F	A.....
Q	108	87-A30-076-080	C-TR, 2SC3052F	A.....
Q	109	87-A30-076-080	C-TR, 2SC3052F	A.....
Q	107	87-A30-076-080	C-TR, 2SC3052F	A.....
Q	102	87-A30-086-070	C-TR, CSD1306E	A.....
Q	101	87-A30-086-070	C-TR, CSD1306E	A.....

ELECTRICAL MAIN PARTS LIST - 6/8

Q	110	87-A30-076-080	C-TR, 2SC3052F	A.
Q	115	87-A30-097-010	TR, FN 1016	A.
Q	116	87-A30-097-010	TR, FN 1016	A.
Q	118	87-A30-098-010	TR, FP 1016	A.
Q	117	87-A30-098-010	TR, FP 1016	A.
Q	112	87-A30-190-080	TR, CC5551	A.
Q	111	87-A30-190-080	TR, CC5551	A.
Q	127	87-A30-075-080	C-TR, 2SA1235F	A.
Q	126	87-A30-075-080	C-TR, 2SA1235F	A.
Q	129	87-A30-076-080	C-TR, 2SC3052F	A.
Q	128	87-A30-076-080	C-TR, 2SC3052F	A.
Q	124	87-A30-106-070	C-TR, CMBT5551	A.
Q	123	87-A30-106-070	C-TR, CMBT5551	A.
Q	130	87-A30-076-080	C-TR, 2SC3052F	A.
Q	131	87-A30-076-080	C-TR, 2SC3052F	A.
R	129	87-A00-257-080	RES, M/F 0.15-1W J	A.
R	132	87-A00-257-080	RES, M/F 0.15-1W J	A.
R	130	87-A00-257-080	RES, M/F 0.15-1W J	A.
R	131	87-A00-257-080	RES, M/F 0.15-1W J	A.
R	143	87-A00-440-050	RES, 220-1/2W J RP	A.
R	145	87-A00-440-050	RES, 220-1/2W J RP	A.
R	144	87-A00-440-050	RES, 220-1/2W J RP	A.
R	146	87-A00-440-050	RES, 220-1/2W J RP	A.
R	166	87-A00-257-080	RES, M/F 0.15-1W J	A.
R	165	87-A00-257-080	RES, M/F 0.15-1W J	A.
TH	101	87-A91-042-080	C-THMS, 100K 55001	A.
TH	102	87-A91-042-080	C-THMS, 100K 55001	A.
C	203	87-010-177-080	C-CAP, S 820P-50 SL	A.
C	204	87-010-177-080	C-CAP, S 820P-50 SL	A.
C	209	87-010-403-080	CAP, ELECT 3.3-50V	A.
C	212	87-010-181-080	CAP, CHIP S 1800P	A.
C	211	87-010-181-080	CAP, CHIP S 1800P	A.
C	217	87-010-260-080	CAP, ELECT 47-25V	A.
C	218	87-010-260-080	CAP, ELECT 47-25V	A.
C	216	87-010-322-080	C-CAP, S 100P-50 CH	A.
C	215	87-010-322-080	C-CAP, S 100P-50 CH	A.
C	214	87-010-403-080	CAP, ELECT 3.3-50V	A.
C	210	87-010-403-080	CAP, ELECT 3.3-50V	A.
C	213	87-010-403-080	CAP, ELECT 3.3-50V	A.
C	219	87-A10-946-080	C-CAP, S 220P-100 J CH	A.
C	228	87-010-186-080	CAP, CHIP 4700P	A.
C	227	87-010-186-080	CAP, CHIP 4700P	A.
C	224	87-010-190-080	S CHIP F 0.01	A.
C	223	87-010-190-080	S CHIP F 0.01	A.
C	229	87-010-993-080	C-CAP, S 0.056-25 B	A.
C	225	87-012-368-080	C-CAP, S 0.1-50 F	A.
C	226	87-012-368-080	C-CAP, S 0.1-50 F	A.
C	220	87-A10-946-080	C-CAP, S 220P-100 J CH	A.
C	234	87-010-190-080	S CHIP F 0.01	A.
C	233	87-010-190-080	S CHIP F 0.01	A.
C	232	87-010-196-080	CHIP CAPACITOR, 0.1-25	A.
C	239	87-010-196-080	CHIP CAPACITOR, 0.1-25	A.
C	231	87-010-196-080	CHIP CAPACITOR, 0.1-25	A.
C	230	87-010-993-080	C-CAP, S 0.056-25 B	A.
C	235	87-016-285-080	CAP, E 47-100SME	A.
C	236	87-016-285-080	CAP, E 47-100SME	A.
C	240	87-010-408-080	CAP, ELECT 47-50V	A.
D	204	87-020-465-080	DIODE, 1SS133 (110MA)	A.
D	203	87-020-465-080	DIODE, 1SS133 (110MA)	A.
D	208	87-020-465-080	DIODE, 1SS133 (110MA)	A.
D	202	87-020-465-080	DIODE, 1SS133 (110MA)	A.
D	201	87-020-465-080	DIODE, 1SS133 (110MA)	A.
D	207	87-020-465-080	DIODE, 1SS133 (110MA)	A.
D	201	87-A40-291-080	DIODE, 1N4148 (CPT)	A.
D	207	87-A40-291-080	DIODE, 1N4148 (CPT)	A.
D	202	87-A40-291-080	DIODE, 1N4148 (CPT)	A.
D	208	87-A40-291-080	DIODE, 1N4148 (CPT)	A.
D	204	87-A40-291-080	DIODE, 1N4148 (CPT)	A.
D	203	87-A40-291-080	DIODE, 1N4148 (CPT)	A.
D	214	87-020-465-080	DIODE, 1SS133 (110MA)	A.
D	211	87-A40-270-080	C-DIODE, MC2838	A.
D	214	87-A40-291-080	DIODE, 1N4148 (CPT)	A.
J	204	87-A60-750-010	JACK, PIN 4P R/W BLUE	A.
L	201	87-003-383-010	COIL, 1UH-S	A.
L	202	87-003-383-010	COIL, 1UH-S	A.
Q	203	87-A30-075-080	C-TR, 2SA1235F	A.
Q	204	87-A30-075-080	C-TR, 2SA1235F	A.
Q	206	87-A30-075-080	C-TR, 2SA1235F	A.
Q	205	87-A30-075-080	C-TR, 2SA1235F	A.
Q	208	87-A30-076-080	C-TR, 2SC3052F	A.
Q	207	87-A30-076-080	C-TR, 2SC3052F	A.
Q	209	87-A30-076-080	C-TR, 2SC3052F	A.
Q	202	87-A30-086-070	C-TR, CSD1306E	A.
Q	201	87-A30-086-070	C-TR, CSD1306E	A.
Q	210	87-A30-076-080	C-TR, 2SC3052F	A.
Q	219	87-A30-106-070	C-TR, CMBT5551	A.
Q	212	87-A30-190-080	TR, CC5551	A.
Q	211	87-A30-190-080	TR, CC5551	A.
Q	218	87-A30-255-010	TR, 2SB1342	A.
Q	217	87-A30-255-010	TR, 2SB1342	A.
Q	216	87-A30-256-010	TR, 2SD1933	A.
Q	215	87-A30-256-010	TR, 2SD1933	A.

ELECTRICAL MAIN PARTS LIST - 7/8

Q	224	87-A30-076-080	C-TR,2SC3052F	A
Q	226	87-A30-076-080	C-TR,2SC3052F	A
Q	227	87-A30-076-080	C-TR,2SC3052F	A
Q	225	87-A30-076-080	C-TR,2SC3052F	A
Q	220	87-A30-106-070	C-TR,CMBT5551	A
Q	232	87-A00-258-080	RES,M/F 0.22-1W J	A
R	231	87-A00-258-080	RES,M/F 0.22-1W J	A
R	234	87-A00-258-080	RES,M/F 0.22-1W J	A
R	233	87-A00-258-080	RES,M/F 0.22-1W J	A
R	265	87-A00-258-080	RES,M/F 0.22-1W J	A
R	266	87-A00-258-080	RES,M/F 0.22-1W J	A
C	602	87-010-180-080	C-CER 1500P	A
C	601	87-010-180-080	C-CER 1500P	A
C	606	87-010-318-080	C-CAP,S 47P-50 CH	A
C	605	87-010-318-080	C-CAP,S 47P-50 CH	A
C	619	87-010-185-080	C-CAP,S 3900P-50 B	A
C	614	87-016-081-080	C-CAP,S 0.1-16 RK	A
C	613	87-016-081-080	C-CAP,S 0.1-16 RK	A
C	618	87-A10-305-080	CAP,M 0.068-50 J	A
C	617	87-A10-305-080	CAP,M 0.068-50 J	A
C	616	87-A11-011-080	CAP,M 0.12-50 J DE	A
C	615	87-A11-011-080	CAP,M 0.12-50 J DE	A
C	620	87-010-185-080	C-CAP,S 3900P-50 B	A
C	621	87-010-401-080	CAP, ELECT 1-50V	A
C	622	87-010-401-080	CAP, ELECT 1-50V	A
C	625	87-010-405-080	CAP, ELECT 10-50V	A
C	626	87-010-405-080	CAP, ELECT 10-50V	A
C	629	87-010-405-080	CAP, ELECT 10-50V	A
C	623	87-A10-307-080	CAP,M 0.1-50 J	A
C	624	87-A10-307-080	CAP,M 0.1-50 J	A
C	637	87-010-183-080	C-CAP,S 2700P-50 B	A
C	636	87-010-194-080	CAP, CHIP 0.047	A
C	635	87-010-196-080	CHIP CAPACITOR,0.1-25	A
C	634	87-010-196-080	CHIP CAPACITOR,0.1-25	A
C	630	87-010-213-080	C-CAP,S 0.015-50 B	A
C	632	87-010-263-080	CAP, ELECT 100-10V	A
C	633	87-010-263-080	CAP, ELECT 100-10V	A
C	639	87-010-314-080	C-CAP,S 22P-50V	A
C	638	87-010-314-080	C-CAP,S 22P-50V	A
C	631	87-010-992-080	C-CAP,S 0.047-25 B	A
C	641	87-010-196-080	CHIP CAPACITOR,0.1-25	A
C	669	87-010-322-080	C-CAP,S 100P-50 CH	A
C	678	87-010-196-080	CHIP CAPACITOR,0.1-25	A
C	677	87-010-196-080	CHIP CAPACITOR,0.1-25	A
C	670	87-010-322-080	C-CAP,S 100P-50 CH	A
C	680	87-010-196-080	CHIP CAPACITOR,0.1-25	A
CN	604	87-099-570-010	CONN,13P TUC-P13P-B1	A
CN	602	87-A60-131-010	CONN,6P V FE	A
CN	601	88-NF9-657-010	CONN,30P H BLK TYK-B(X)	A
D	601	87-A40-002-080	ZENER,MTZJ5.1C	A
D	603	87-A40-234-080	ZENER,MTZJ5.6A	A
D	602	87-A40-438-080	ZENER,MTZJ4.7A	A
IC	601	87-A21-202-040	C-IC,M62445AFP	A
J	602	87-A60-881-010	JACK,PIN 2P MSP 242V05 PBSN	A
JW	662	87-010-544-080	CAP, ELECT 0.1-50V	A
JW	661	87-010-544-080	CAP, ELECT 0.1-50V	A
Q	601	87-026-609-080	TR,KTA1266GR	A
Q	604	87-A30-142-040	C-TR,DTA123EKA	A
C	707	87-010-180-080	C-CER 1500P	A
C	702	87-010-196-080	CHIP CAPACITOR,0.1-25	A
C	706	87-010-197-080	CAP, CHIP 0.01 DM	A
C	709	87-010-213-080	C-CAP,S 0.015-50 B	A
C	708	87-010-213-080	C-CAP,S 0.015-50 B	A
C	701	87-010-263-080	CAP, ELECT 100-10V	A
C	704	87-010-319-080	C-CAP,S 56P-50 CH	A
C	703	87-010-319-080	C-CAP,S 56P-50 CH	A
C	705	87-012-393-080	C-CAP,S 0.22-16 R K	A
C	711	87-010-181-080	CAP,CHIP S 1800P	A
C	712	87-010-196-080	CHIP CAPACITOR,0.1-25	A
C	710	87-010-197-080	CAP, CHIP 0.01 DM	A
C	714	87-010-374-080	CAP, ELECT 47-10V	A
C	713	87-010-544-080	CAP, ELECT 0.1-50V	A
C	735	87-010-178-080	CHIP CAP 1000P	A
C	733	87-010-196-080	CHIP CAPACITOR,0.1-25	A
C	736	87-010-196-080	CHIP CAPACITOR,0.1-25	A
C	732	87-010-196-080	CHIP CAPACITOR,0.1-25	A
C	737	87-010-318-080	C-CAP,S 47P-50 CH	A
C	739	87-010-318-080	C-CAP,S 47P-50 CH	A
C	738	87-010-318-080	C-CAP,S 47P-50 CH	A
C	731	87-010-560-080	CAP,E 10-50 GAS	A
C	734	87-012-157-080	C-CAP,S 330P-50 CH	A
D	701	87-A40-234-080	ZENER,MTZJ5.6A	A
IC	701	87-A20-613-040	C-IC,BU9262AFS	A
L	701	87-005-448-080	COIL 220UH,K	A
Q	732	87-A30-075-080	C-TR,2SA1235F	A
Q	731	87-A30-076-080	C-TR,2SC3052F	A
C	458	87-010-196-080	CHIP CAPACITOR,0.1-25	A
C	457	87-010-196-080	CHIP CAPACITOR,0.1-25	A
C	451	87-010-400-080	CAP, ELECT 0.47-50V	A
C	452	87-010-400-080	CAP, ELECT 0.47-50V	A
C	459	87-A11-004-080	CAP,M 0.022-50 J DE	A
C	455	87-A11-010-080	CAP,M 0.082-50 J DE	A

ELECTRICAL MAIN PARTS LIST - 8/8

C	456	87-A11-010-080	CAP,M 0.082-50 J DE	A.....
C	466	87-A11-004-080	CAP,M 0.022-50 J DE	A.....
C	460	87-A11-004-080	CAP,M 0.022-50 J DE	A.....
C	465	87-A11-004-080	CAP,M 0.022-50 J DE	A.....
IC	451	87-A21-031-040	C-IC,BU4551BF	A.....

ELECTRICAL MAIN PARTS LIST - 1/4 (TUNER: ZZA-1)

NOTE: The characters in the suffix column indicate the part usage.

MSWNM	REF.NO	PARTS NO.	DESCRIPTION	SUFFIX
XX				.B
KANRI				
NO.				
C	701	87-010-381-080	OE CAP, ELECT 330-16V	AB
C	702	87-010-404-080	OE CAP, ELECT 4.7-50V	AB
C	703	87-012-286-020	OE C-CAP,U 0.01-25 K B	.B
C	704	87-012-286-020	OE C-CAP,U 0.01-25 K B	.B
C	711	87-010-260-080	OE CAP, ELECT 47-25V	A
C	711	87-010-553-080	OE CAP,E 47-16	.B
C	712	87-010-831-020	OE C-CAP,U 0.1-16 Z F C1608	.B
C	712	87-010-831-080	OE C-CAP,U,0.1-16F	A
C	718	87-012-179-080	OE C-CAP,U 20P-50 CH	.
C	714	87-012-286-020	OE C-CAP,U 0.01-25 K B	.B
C	717	87-012-286-020	OE C-CAP,U 0.01-25 K B	.B
C	719	87-012-286-020	OE C-CAP,U 0.01-25 K B	.B
C	727	87-010-196-020	OE C-CAP,S 0.1-25 Z F GRM	.B
C	727	87-010-196-080	OE CHIP CAPACITOR,0.1-25	A
C	728	87-010-248-080	OE CAP, ELECT 220-10V	AB
C	721	87-012-176-020	OE C-CAP,U 15P-50 J CH	.B
C	722	87-012-176-020	OE C-CAP,U 15P-50 J CH	.B
C	722	87-012-176-080	OE CAP 15P	A
C	721	87-012-176-080	OE CAP 15P	A
C	720	87-012-195-020	OE C-CAP,U 100P-50 J CH	.B
C	720	87-012-195-080	OE C-CAP,U 100P-50CH	A
C	729	87-012-274-020	OE C-CAP,U 1000P-50 K B	.B
C	729	87-012-274-080	OE CHIP CAP,U 1000P-50B	A
C	725	87-018-131-080	OE CAP, CER 1000P-50V	.
C	805	87-012-286-080	OE CAP, U 0.01-25	A
C	806	87-012-286-080	OE CAP, U 0.01-25	A
CN	701	87-A60-650-010	1A CONN,16P H GRY TUC-P16X-C1	
CN	701	87-A60-700-010	OE CONN,13P H GRY TUC-P13X-C1	AB
D	721	87-017-149-080	OE ZENER,HZS6A2L	AB
D	722	87-020-465-080	OE DIODE,1SS133 (110MA)	.
IC	721	87-070-127-110	1C IC,LC72131 D	AB
QO	713	87-A30-072-080	OE C-TR,RT1P 144C	.B
QO	712	87-A30-072-080	OE C-TR,RT1P 144C	.B
QO	711	87-A30-234-080	OE TR,CSC4115BC	AB
X	721	87-A70-061-010	1A VIB,XTAL 4.500MHZ CSA-309	AB
C	872	87-010-400-080	OE CAP, ELECT 0.47-50V	.
C	873	87-010-404-080	OE CAP, ELECT 4.7-50V	.
C	878	87-012-278-020	OE C-CAP,U 2200P-50 K B	.
C	877	87-012-278-020	OE C-CAP,U 2200P-50 K B	.
C	877	87-012-278-080	OE C-CAP,U 2200P-50 B	.
C	878	87-012-278-080	OE C-CAP,U 2200P-50 B	.
C	889	87-010-248-080	OE CAP, ELECT 220-10V	.
C	884	87-010-260-080	OE CAP, ELECT 47-25V	.
C	883	87-010-404-080	OE CAP, ELECT 4.7-50V	.
C	886	87-010-545-080	OE CAP, ELECT 0.22-50V	.
C	885	87-010-545-080	OE CAP, ELECT 0.22-50V	.
C	888	87-010-787-020	OE C-CAP,U 0.022-25 K B C1608	.
C	888	87-010-787-080	OE CAP, U 0.022-25	.
C	881	87-012-141-080	OE CHIP-CAPACITOR,0.22-16F	.
C	882	87-012-172-020	OE C-CAP,U 10P-50 D CH	.
C	882	87-012-172-080	OE CAPACITOR CHIP U 10P CH	.
C	887	87-012-286-020	OE C-CAP,U 0.01-25 K B	.
C	887	87-012-286-080	OE CAP, U 0.01-25	.
C	885	87-016-460-080	OE C-CAP,S 0.22-16 B	.
C	886	87-016-460-080	OE C-CAP,S 0.22-16 B	.
IC	871	87-070-060-040	1F IC,TA2040AF	.
QO	873	87-026-226-080	OE CHIP-TR,DTA143EK	.
X	891	87-030-394-010	1B VIB,CER CSA3.6MGF228	.
C	705	87-A10-592-020	OE C-CAP,S 0.015-50 J B	.B
C	706	87-A10-592-020	OE C-CAP,S 0.015-50 J B	.B
C	705	87-A10-592-080	OE C-CAP,S 0.015-50 J B	A
C	706	87-A10-592-080	OE C-CAP,S 0.015-50 J B	A
C	733	87-010-987-080	OE C-CAP,S 1500P-50 CH	AB
C	736	87-010-987-080	OE C-CAP,S 1500P-50 CH	AB
C	735	87-010-987-080	OE C-CAP,S 1500P-50 CH	AB
C	734	87-010-987-080	OE C-CAP,S 1500P-50 CH	AB
C	734	87-012-280-020	OE C-CAP,U 3300P-50 K B	.
C	733	87-012-280-020	OE C-CAP,U 3300P-50 K B	.
C	733	87-012-280-080	OE CAP, U 3300P-50	.
C	734	87-012-280-080	OE CAP, U 3300P-50	.
C	738	87-A10-592-020	OE C-CAP,S 0.015-50 J B	.B
C	737	87-A10-592-020	OE C-CAP,S 0.015-50 J B	.B
C	737	87-A10-592-080	OE C-CAP,S 0.015-50 J B	A
C	738	87-A10-592-080	OE C-CAP,S 0.015-50 J B	A
C	752	87-010-220-020	OE C-CAP,S 0.018-25 K B	.B
C	751	87-010-220-020	OE C-CAP,S 0.018-25 K B	.B
C	752	87-010-220-080	OE C-CAP,S 0.018-25 B	.
C	751	87-010-220-080	OE C-CAP,S 0.018-25 B	.
C	758	87-012-167-020	OE C-CAP,U 5P-50 C CH	.B
C	758	87-012-167-080	OE C-CAP,U 5P-50 CH	A
C	757	87-012-188-020	OE C-CAP,U 47P-50 J CH	.B
C	757	87-012-188-080	OE C-CAP,U 47P-50 CH	A
C	753	87-012-195-020	OE C-CAP,U 100P-50 J CH	.
C	753	87-012-195-080	OE C-CAP,U 100P-50CH	.
C	752	87-012-282-020	OE C-CAP,U 4700P-50 K B	.
C	752	87-012-282-080	OE CAP, U 4700P-50	.
C	756	87-012-286-020	OE C-CAP,U 0.01-25 K B	.B

ELECTRICAL MAIN PARTS LIST - 2/4 (TUNER: ZZA-1)

C	756	87-012-286-080	0E	CAP, U 0.01-25	A.
C	752	87-012-365-020	0E	C-CAP, S 0.27-25V BK	.
C	751	87-012-365-020	0E	C-CAP, S 0.27-25V BK	.
C	751	87-012-365-080	0E	C-CAP, S 0.027-25VBK	A.
C	752	87-012-365-080	0E	C-CAP, S 0.027-25VBK	A.
C	766	87-010-197-080	0E	CAP, CHIP 0.01 DM	.
C	769	87-010-260-080	0E	CAP, ELECT 47-25V	AB.
C	765	87-012-286-020	0E	C-CAP, U 0.01-25 K B	.B.
C	768	87-012-286-020	0E	C-CAP, U 0.01-25 K B	.B.
C	765	87-012-286-080	0E	CAP, U 0.01-25	A.
C	768	87-012-286-080	0E	CAP, U 0.01-25	A.
C	764	87-012-337-020	0E	C-CAP, U 56P-50 J CH	.B.
C	764	87-012-337-080	0E	C-CAP, U 56P-50 CH	A.
C	774	87-010-263-080	0E	CAP, ELECT 100-10V	AB.
C	771	87-010-383-080	0E	CAP, ELECT 33-25V	AB.
C	777	87-010-400-080	0E	CAP, ELECT 0.47-50V	AB.
C	775	87-010-404-080	0E	CAP, ELECT 4.7-50V	AB.
C	777	87-010-493-080	0E	CAP, E 0.47-50 GAS	.
C	770	87-010-829-020	0E	C-CAP, U 0.047-16 Z F C1608	.B.
C	770	87-010-829-080	0E	CAP, U 0.047-16	A.
C	780	87-010-196-020	0E	C-CAP, S 0.1-25 Z F GRM	.B.
C	780	87-010-196-080	0E	CHIP CAPACITOR, 0.1-25	A.
C	785	87-010-401-080	0E	CAP, ELECT 1-50V	AB.
C	786	87-010-401-080	0E	CAP, ELECT 1-50V	AB.
C	785	87-010-402-080	0E	CAP, ELECT 2.2-50V	.
C	786	87-010-402-080	0E	CAP, ELECT 2.2-50V	.
C	782	87-010-405-080	0E	CAP, ELECT 10-50V	AB.
C	781	87-010-405-080	0E	CAP, ELECT 10-50V	AB.
C	786	87-010-494-080	0E	CAP ELECT GAS 1/50	.B.
C	785	87-010-494-080	0E	CAP ELECT GAS 1/50	.B.
C	788	87-012-275-020	0E	C-CAP, U 1200P-50 K B	.B.
C	787	87-012-275-020	0E	C-CAP, U 1200P-50 K B	.B.
C	787	87-012-275-080	0E	C-CAP, U 1200P-50 B	A.
C	788	87-012-275-080	0E	C-CAP, U 1200P-50 B	A.
C	784	87-012-286-020	0E	C-CAP, U 0.01-25 K B	.B.
C	784	87-012-286-080	0E	CAP, U 0.01-25	A.
C	796	87-010-403-080	0E	CAP, ELECT 3.3-50V	AB.
C	791	87-010-405-080	0E	CAP, ELECT 10-50V	AB.
C	794	87-010-406-080	0E	CAP, ELECT 22-50	AB.
C	795	87-010-596-020	0E	C-CAP, S 0.047-16 RK	.B.
C	795	87-010-596-080	0E	CAP, S 0.047-16	A.
C	793	87-012-273-020	0E	C-CAP, U 820P-50 K B	.B.
C	793	87-012-273-080	0E	C-CAP, U 820P-50 B	A.
C	798	87-012-276-020	0E	C-CAP, U 1500P-50 K B	.
C	797	87-012-276-020	0E	C-CAP, U 1500P-50 K B	.
C	798	87-012-276-080	0E	CAP, CHIP SS 1500 PBK	.
C	797	87-012-276-080	0E	CAP, CHIP SS 1500 PBK	.
D	771	87-020-465-080	0E	DIODE, 1SS133 (110MA)	AB.
IC	771	87-A20-913-010	1D	IC, LA1837NL	AB.
L	771	87-A50-266-010	1A	COIL, FM DET-2N(TOK)	AB.
L	772	87-A90-052-010	1C	FLTR, CFMT-450A(TOK)	.B.
L	772	87-A90-053-010	1C	FLTR, PCFMT-060(TOK)	.
L	772	87-A91-110-010	1B	FLTR, PCFJZH-450(TOK)	A.
L	781	87-005-847-080	0E	COIL, 2.2UH(CECS)	.
L	791	87-A50-027-010	1A	COIL, 1 POLE MPX(TOK)	.
L	792	87-A50-027-010	1A	COIL, 1 POLE MPX(TOK)	.
X	771	87-030-354-010	1A	VIB, CF BFU 450C	.B.
C	859	87-012-286-020	0E	C-CAP, U 0.01-25 K B	.
C	859	87-012-286-080	0E	CAP, U 0.01-25	.
C	865	87-010-196-020	0E	C-CAP, S 0.1-25 Z F GRM	.
C	865	87-010-196-080	0E	CHIP CAPACITOR, 0.1-25	.
C	864	87-010-405-080	0E	CAP, ELECT 10-50V	.
C	866	87-010-405-080	0E	CAP, ELECT 10-50V	.
C	869	87-012-180-020	0E	C-CAP, U 22P-50 J CH	.
C	869	87-012-180-080	0E	C-CAP, U 22P-50 CH	.
C	868	87-012-184-020	0E	C-CAP, U 33P-50 J CH	.
C	868	87-012-184-080	0E	C-CAP, U 33P-50 CH	.
C	862	87-012-199-020	0E	C-CAP, U 220P-50 J CH	.
C	861	87-012-199-020	0E	C-CAP, U 220P-50 J CH	.
C	861	87-012-199-080	0E	CAP 220P	.
C	862	87-012-199-080	0E	CAP 220P	.
C	863	87-012-270-020	0E	C-CAP, U 470P-50 K B	.
C	863	87-012-270-080	0E	CAP, U 470P-50	.
C	867	87-012-286-020	0E	C-CAP, U 0.01-25 K B	.
C	867	87-012-286-080	0E	CAP, U 0.01-25	.
IC	851	87-A20-440-040	1H	C-IC, BU1920FS	.
L	851	87-005-847-080	0E	COIL, 2.2UH(CECS)	.
Q	853	87-A30-076-080	0E	C-TR, 2SC3052F	.
X	851	87-A70-091-010	1B	VIB, XTAL 4.332MHZ CSA-309	.
C	808	87-012-286-080	0E	CAP, U 0.01-25	A.
C	801	87-012-286-080	0E	CAP, U 0.01-25	A.
C	809	87-012-286-080	0E	CAP, U 0.01-25	A.
C	803	87-012-286-080	0E	CAP, U 0.01-25	A.
C	807	87-012-286-080	0E	CAP, U 0.01-25	A.
C	802	87-012-286-080	0E	CAP, U 0.01-25	A.
C	804	87-012-286-080	0E	CAP, U 0.01-25	A.
C	810	87-012-286-080	0E	CAP, U 0.01-25	A.
C	820	87-010-260-080	0E	CAP, ELECT 47-25V	AB.
C	893	87-012-286-080	0E	CAP, U 0.01-25	A.
C	894	87-012-286-080	0E	CAP, U 0.01-25	A.
C	942	87-012-168-020	0E	C-CAP, U 6P-50 D CH GRM	.
C	942	87-012-168-080	0E	C-CAP, U 6P-50 CH	.

ELECTRICAL MAIN PARTS LIST - 3/4 (TUNER: ZZA-1)

C	941	87-012-180-020	0E	C-CAP,U 22P-50 J CH	.B.
C	941	87-012-180-080	0E	C-CAP,U 22P-50 CH	.B.
C	947	87-012-286-020	0E	C-CAP,U 0.01-25 K B	.B.
C	940	87-012-286-020	0E	C-CAP,U 0.01-25 K B	.B.
C	944	87-014-051-080	0E	CAPACITOR (PP), 560P	.B.
C	949	87-A10-039-020	0E	C-CAP,U 470P-50 J CH	.B.
C	949	87-A10-039-080	0E	C-CAP,U 470P-50 J CH	.B.
C	958	87-010-197-020	0E	C-CAP,S 0.01-25 B	.B.
C	958	87-010-197-080	0E	CAP, CHIP 0.01 DM	.B.
C	956	87-010-263-080	0E	CAP, ELECT 100-10V	.B.
C	959	87-010-831-020	0E	C-CAP,U 0.1-16 Z F C1608	.B.
C	959	87-010-831-080	0E	C-CAP,U,0.1-16F	.B.
C	952	87-012-286-020	0E	C-CAP,U 0.01-25 K B	.B.
C	954	87-012-358-080	0E	C-CAP,S 0.47-10 F Z	.B.
C	950	87-014-073-080	0E	CAP,PP 4700P-100 J	.B.
C	963	87-010-196-020	0E	C-CAP,S 0.1-25 Z F GRM	.B.
C	963	87-010-196-080	0E	CHIP CAPACITOR,0.1-25	A.
C	962	87-010-401-080	0E	CAP, ELECT 1-50V	.B.
C	961	87-012-174-020	0E	C-CAP,U 12P-50 J CH	.B.
C	961	87-012-174-080	0E	CAP CHIP CERA SS 12P CHJ	A.
C	960	87-012-350-020	0E	C-CAP, 1-25 Z F CM	.B.
C	960	87-012-350-080	0E	C-CAP,1-25 F	.B.
CF	802	82-785-747-010	1A	CF MS2 GHY R	.B.
CF	801	87-008-261-010	1A	FILTER, SFE10.7MA5-A	AB.
CF	802	87-008-261-010	1A	FILTER, SFE10.7MA5-A	AB.
CF	801	87-008-423-010	1A	CERAMIC FILTER, SFE10.7	.B.
D	944	87-020-465-080	0E	DIODE,1SS133 (110MA)	.B.
D	942	87-A40-270-080	0E	C-DIODE,MC2838	.B.
D	981	87-A40-618-080	1B	VARI-CAP,SVC 348(S/T)	.B.
FFE	801	A8-6ZA-191-130		6ZA-1 FEENM	.B.
FFE	801	A8-6ZA-192-030	2Y	6ZA-1 FEJNM	.B.
FFE	801	A8-6ZA-193-130		6ZA-1 FEVNM	.B.
FFE	801	A8-6ZA-199-170		6ZA-1 FEENC	.B.
FFE	801	A8-6ZA-19A-070		6ZA-1 FEJNC	.B.
FFE	801	A8-6ZA-19D-070	1H	6ZA-1 YFEUNC	.B.
FFE	801	A8-8ZA-190-030		8ZA-1 FEUNM	AB.
FFE	801	A8-8ZA-191-030	1E	8ZA-1 YFEUNM	.B.
FFE	801	A8-8ZA-192-070		8ZA-1 FEUNC	.B.
FFE	801	A8-8ZA-193-070	1E	8ZA-1 YFEUNC	.B.
J	801	87-033-241-010	1B	TERMINAL,ANT AJ-2039	.B.
J	801	87-A60-702-010	1B	TERMINAL,ANT 4P CJ-9036	A.
J	801	87-A60-703-010	1A	TERMINAL,ANT 3P CJ-9037	.B.
J	940	81-754-629-010	0E	CONNECTOR, 2P	.B.
L	832	87-005-847-080	0E	COIL,2.2UH(CECS)	.B.
L	942	87-A50-019-010	0E	COIL,OSC LW(COI)	.B.
L	941	87-A50-020-010	0E	COIL,ANT LW(COI)	.B.
L	941	87-A50-022-010	0E	COIL,ANT SW(COI)	.B.
L	944	87-A50-159-010	0E	COIL,10MH K C2B	.B.
L	942	87-A50-173-010	0E	COIL,OSC SW-N(COI)	.B.
L	943	87-A50-432-010	0E	COIL,1MH K CW	.B.
L	981	87-A50-430-010	0E	COIL,ANT MW(3BSW)	.B.
L	982	87-A50-431-010	0E	COIL,OSC MW(3BSW)	.B.
L	981	8Z-ZA1-650-010		COIL,AM PACK4C (TOK)	A.
L	981	8Z-ZA1-665-010	1E	COIL,AM PACK 2(TOK)	.B.
Q	712	87-A30-072-080	0E	C-TR,RT1P 144C	A.
Q	805	89-327-143-080	0E	TR,2SC2714 (0.1W)	AB.
Q	942	87-A30-075-080	0E	C-TR,2SA1235F	.B.
Q	943	87-A30-075-080	0E	C-TR,2SA1235F	.B.
Q	944	87-A30-076-080	0E	C-TR,2SC3052F	.B.
Q	945	87-A30-076-080	0E	C-TR,2SC3052F	.B.
Q	949	87-A30-076-080	0E	C-TR,2SC3052F	.B.
Q	948	87-A30-086-070	0E	C-TR,CSD1306E	.B.
Q	947	89-503-602-080	1A	C-FET,2SK360E	.B.
Q	947	89-505-434-540	0E	C-FET,2SK543(4/5)	.B.
Q	951	87-A30-074-080	0E	C-TR,RT1P 141C	.B.
TC	942	87-011-164-010	0E	CAPACITOR,TRIMMER 30P	.B.
TC	941	87-011-220-080	1A	TRIMMER CAP 20P VTC	.B.
TC	943	87-011-221-080	1A	CAP, TRIMMER 30P	.B.
C	704	87-012-286-080	0E	CAP, U 0.01-25	.B.
C	703	87-012-286-080	0E	CAP, U 0.01-25	.B.
C	712	87-010-831-080	0E	C-CAP,U,0.1-16F	.B.
C	714	87-012-286-080	0E	CAP, U 0.01-25	.B.
C	717	87-012-286-080	0E	CAP, U 0.01-25	.B.
C	719	87-012-286-080	0E	CAP, U 0.01-25	.B.
C	727	87-010-196-080	0E	CHIP CAPACITOR,0.1-25	.B.
C	722	87-012-176-080	0E	CAP 15P	.B.
C	721	87-012-176-080	0E	CAP 15P	.B.
C	720	87-012-195-080	0E	C-CAP,U 100P-50CH	.B.
C	729	87-012-274-080	0E	CHIP CAP,U 1000P-50B	.B.
C	705	87-A10-592-080	0E	C-CAP,S 0.015-50 J B	.B.
C	706	87-A10-592-080	0E	C-CAP,S 0.015-50 J B	.B.
C	731	87-012-286-080	0E	CAP, U 0.01-25	.B.
C	737	87-A10-592-080	0E	C-CAP,S 0.015-50 J B	.B.
C	738	87-A10-592-080	0E	C-CAP,S 0.015-50 J B	.B.
C	758	87-012-167-080	0E	C-CAP,U 5P-50 CH	.B.
C	757	87-012-188-080	0E	C-CAP,U 47P-50 CH	.B.
C	751	87-012-365-080	0E	C-CAP,S 0.027-25VBK	.B.
C	752	87-012-365-080	0E	C-CAP,S 0.027-25VBK	.B.
C	764	87-012-337-080	0E	C-CAP,U 56P-50 CH	.B.
C	770	87-010-829-080	0E	CAP, U 0.047-16	.B.
C	780	87-010-196-080	0E	CHIP CAPACITOR,0.1-25	.B.
C	789	87-012-275-080	0E	C-CAP,U 1200P-50 B	.B.

ELECTRICAL MAIN PARTS LIST - 4/4 (TUNER: ZZA-1)

C	783	87-012-286-080	0E	CAP, U 0.01-25
C	795	87-010-596-080	0E	CAP, S 0.047-16
C	793	87-012-273-080	0E	C-CAP, U 820P-50 B
C	790	87-012-275-080	0E	C-CAP, U 1200P-50 B
C	812	87-012-286-080	0E	CAP, U 0.01-25
C	822	87-012-286-080	0E	CAP, U 0.01-25
C	821	87-012-286-080	0E	CAP, U 0.01-25
C	823	87-012-286-080	0E	CAP, U 0.01-25
C	963	87-010-196-080	0E	CHIP CAPACITOR, 0.1-25
C	961	87-012-174-080	0E	CAP CHIP CERA SS 12P CHJ

MECHANICAL PARTS LIST - 1/1

NOTE: The characters in the suffix column indicate the part usage.

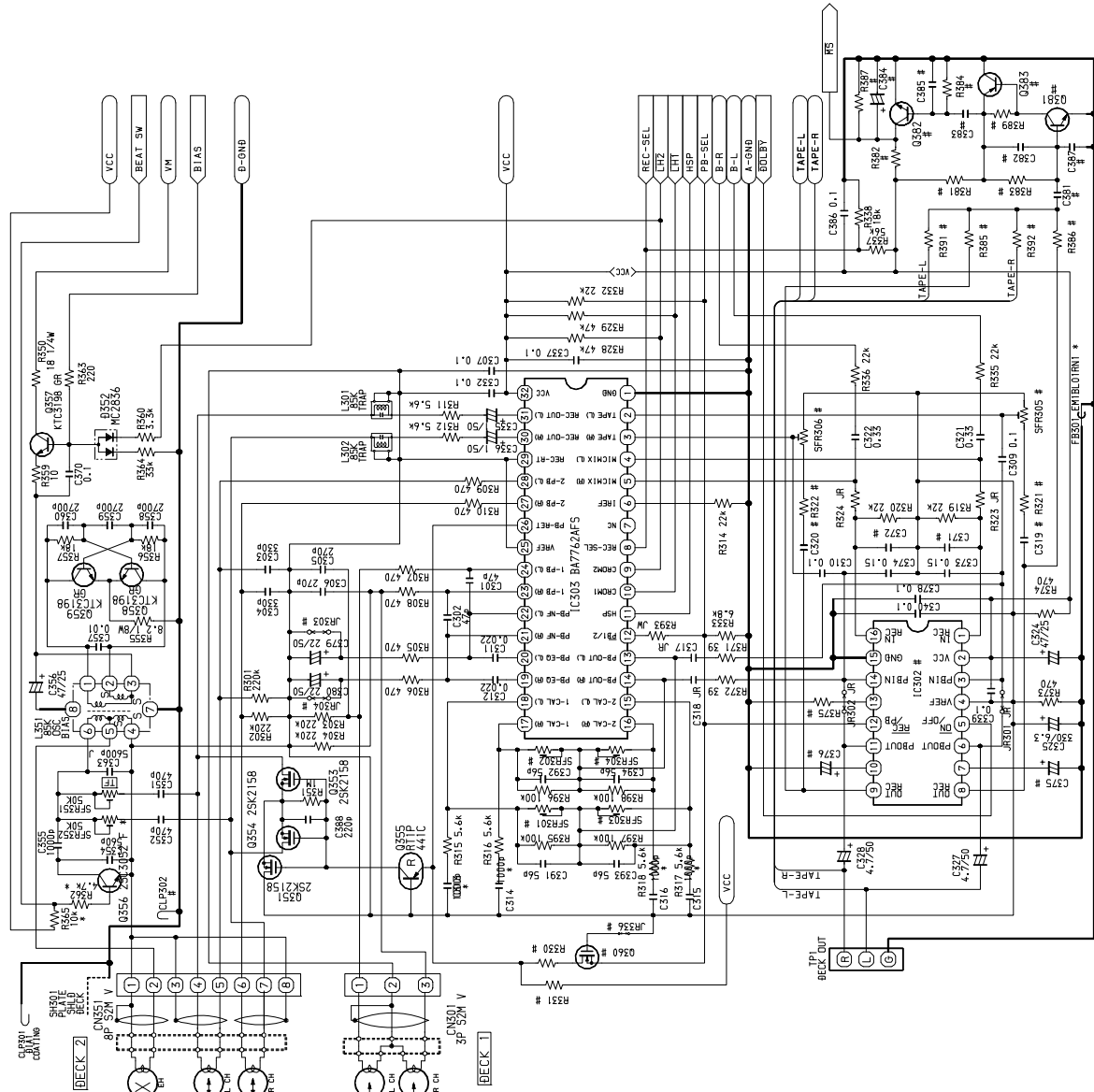
REF.NO	PARTS NO.	DESCRIPTION	SUFFIX
HRJSC3MXX.....A.....	
		KANRI	
		NO.	
	82-NE6-067-010	BADGE,AIWA 30N	A.....
	86-NFZ-001-010	WINDOW, TOP	A.....
	8Z-NB8-011-110	PANEL, LEFT V-2
	8Z-NB8-011-210	PANEL, LEFT V-2	A.....
	8Z-NF8-021-010	WINDOW, CASS 1	A.....
	8Z-NF8-022-010	WINDOW, CASS 2	A.....
	8Z-NF8-024-010	WINDOW, CD	A.....
	8Z-NF8-037-010	BOX, CASS 1H	A.....
	8Z-NF8-038-010	BOX, CASS 2H	A.....
	8Z-NF9-043-010	PANEL, RIGHT S V-2	A.....
	8Z-NF9-095-010	PANEL, TOP V-2 R	A.....
	8Z-NH8-001-010	WINDOW, DISP H
	8Z-NH8-002-010	PANEL, TRAY H	A.....
	8Z-NH8-003-010	CABI, FR H	A.....
	8Z-NH8-011-110	CABI, REAR HRJSTNM
	8Z-NH8-015-110	CABI, REAR HC7STC
	8Z-NH8-018-010	CABI, REAR HRJSCIM
	8Z-NH8-020-010	WINDOW, DISP SVCD
	8Z-NH8-021-010	PANEL, TRAY SVCD
	8Z-NH8-024-010	CABI, REAR HRSK1 BM W/OSPEC	A.....
	8Z-NH8-026-010	CABI, REAR HRJSTM N
	8Z-NH8-028-010	WINDOW, DISP 581	A.....
	8Z-NF8-005-210	KEY, POWER	A.....
	8Z-NF8-006-010	KEY, CD	A.....
	8Z-NF8-007-010	REFLECTOR, ECO	A.....
	8Z-NF8-008-010	KEY, TIMER	A.....
	8Z-NF8-010-010	KEY, ASSY FUN	A.....
	8Z-NF8-019-010	KEY, ECHO	A.....
	8Z-NF8-020-110	KEY, RDS	A.....
	8Z-NF8-026-010	KNOB, RTRY JOG	A.....
	8Z-NF8-027-010	KNOB, RTRY VOL	A.....
	8Z-NF8-029-010	REFLECTOR, JOG	A.....
	8Z-NH8-006-010	KEY, EDIT	A.....
	8Z-NH8-007-010	KEY, ASSY PLAY	A.....
	8Z-NH8-009-010	KEY, ASSY PAUSE	A.....
	81-532-080-010	LABEL, CASS. COMPT	A.....
CN	0	87-NF6-615-010	CONN ASSY, 3P PB
CN	0	87-NF6-616-010	CONN ASSY, 8P RPB
		82-NF5-218-010	SPR-T, EJECT 1 (SIN)
		82-NF5-219-010	SPR-T, EJECT 2 (SIN)
		82-NF5-229-010	PLATE, LOCK
		85-NF7-599-010	PVC W 3.2-8-0.3
		86-NF9-224-010	SPR-C, LOCK
		87-064-185-010	HLDR, WIRE
		87-NF4-216-010	HLDR, LOCK 1
		87-NF4-217-110	HLDR, LOCK 2
		87-NF8-220-010	DMPR, 150
		88-NF5-208-010	HLDR, PWB-M N
		8Z-NB8-240-010	COVER, PL
		8Z-NF8-205-310	HLDR, HT-SINK
		8Z-NH8-201-010	HLDR, PWB
*		8Z-NF9-204-010	PLATE, MIC
		87-067-581-010	TAPPING SCREW, BVT2+3-15
		87-067-641-010	UTT2+3-8 (W/O SLOT) BL
		87-067-688-010	BVTT+3-6
		87-067-703-010	TAPPING SCREW, BVT2+3-10
		87-067-758-010	BVT2+3-12 W/O SLOT
		87-078-191-010	S-SCREW, IT+4-10
		87-721-096-410	QT2+3-10 GLD
		87-721-097-410	QT2+3-12 GLD
		87-B10-090-010	BVIT3B+3-12 GOLD
		87-NF4-224-010	S-SCREW, IT3B+3-8 CU
		87-050-079-010	AC-CORD ASSY, E
		87-050-097-010	AC CORD ASSY, H
		87-085-184-010	BUSHING, AC CORD (D)
		87-085-185-010	BUSHING, AC CORD (E)
		87-A80-083-010	AC CORD, HC BLK
		88-906-241-110	FF-CABLE, 6P 1.25
		88-913-301-110	FF-CABLE, 13P-1.25
		88-915-101-110	FF-CABLE, 15P 1.25 100MM
		8Z-NF8-605-010	PT, ZNF-8HR
C	11	87-A11-144-080	CAP, TC U 0.1-50 K B
C	681	87-A11-144-080	CAP, TC U 0.1-50 K B
		88-NF8-205-010	GUIDE, FL
		8Z-NF8-201-110	GUIDE, OPE
		8Z-NF8-202-010	GUIDE, FUN
WH	1	87-A90-510-010	HLDR, WIRE 2.5-9P
		87-067-703-010	TAPPING SCREW, BVT2+3-10

ACCESSORIES / PACKAGE LIST - 1/1

NOTE: The characters in the suffix column indicate the part usage.

REF.NO	PARTS NO.	KANRI NO.	DESCRIPTION	SUFFIX
HRJSC3M		XX		A
	8Z-NH8-901-010		IB,H(EC-K)S	
	8Z-NH8-903-010		IB,H(EC-H)M- SVCD	
	8Z-NH8-911-210		IB,H(EC-H)M	
	8Z-NH8-925-010		IB,H(E)M - INDKIT	
	8Z-NH8-913-010		IB,H(T)M-KIT	
	8Z-NH8-914-010		IB,H(T)M-KIT 581	A
	8Z-NH8-921-010		IB,H(TW)M-KIT	
	87-006-269-010		AM LOOP ANT (UN)	
	87-043-115-010		ANT,FEEDER FM	A
	87-050-103-010		CORD,PIN 1PY1.5M	A
	87-099-789-010		PLUG,ADPTR IR44	A
	87-A90-054-010		ANT,LOOP AM-CON C	A
	87-A90-064-010		FEEDER-ANT,FM(SHS)	
	87-A90-119-010		ANT,WIRE SW(5M)	A
	87-A91-015-010		PLUG,CONVERSION JT-0475A	
	8Z-NH7-711-010		RC UNIT,RC-ZAS20	
	8Z-NH8-702-010		RC UNIT,RC-ZAS07	A

SCHEMATIC DIAGRAM - 2 (DECK)



IR, LH, B	OTHERS
W/O DOLBY	W/O DOLBY
(RHB)	(RH, LH)
JR303	X
JR304	X
C379	22/25
R331	33K
JR336	X
C380	22/50
C313	1000P
C314	1000P
R315	5.6K
R316	5.6K
C315	1000P
C316	1000P
R317	5.6K
C391	56P
C392	56P
C393	56P
C394	56P
R395	100K
R396	100K
R397	100K
R398	100K
SFR301	X
SFR302	X
SFR303	X
SFR304	X
C317	C-JR
C318	C-JR
R371	39
R372	39
C375	X
C376	X
R375	X
JR501	C-JR
JR502	C-JR

USE	USE
BA762AFS	HA12Z11
Q360	2SK215B
R350	C-JR
R331	33K
JR336	C-JR

EZ	K	EXCEPT
Q356	25C032F	K
R362	4.7K	X
R365	10K	X

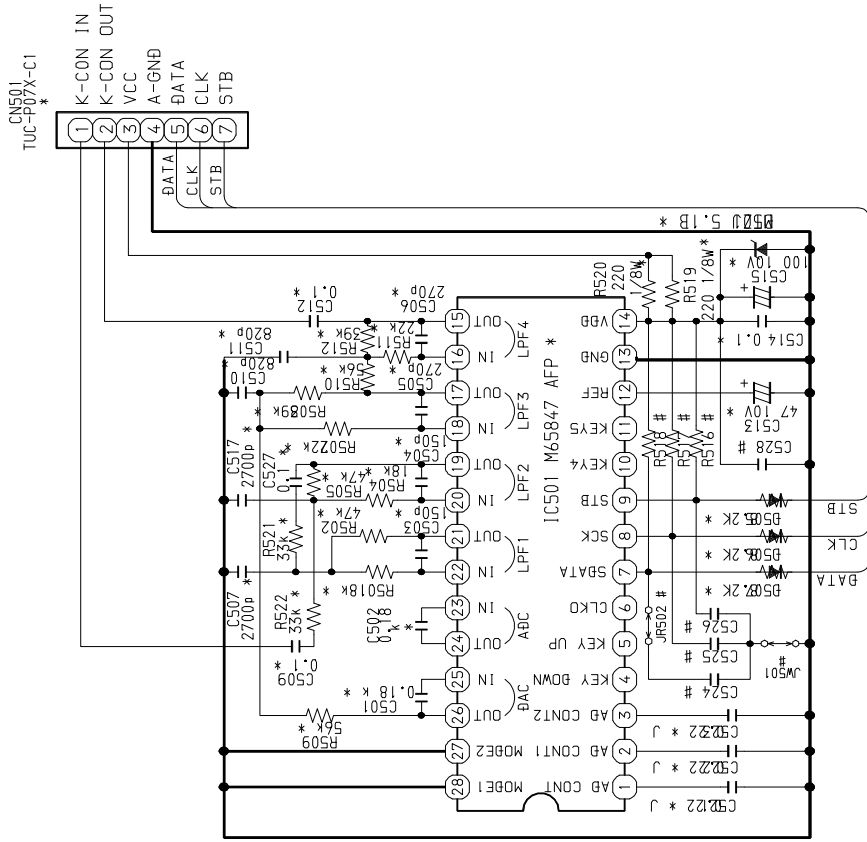
EZ	K	EXCEPT
FB301	BM1BL01RN	JW

T-HEAD YAMAGUCHI
SCHEMATIC DIAGRAM (GECH)

ZNF-B LH
0C-6ZNF-B
CX-NS555 LH
30 OCT 98

T-ZNF-B-MAIN-ALL (P.2)

SCHEMATIC DIAGRAM - 3 (K-CON)



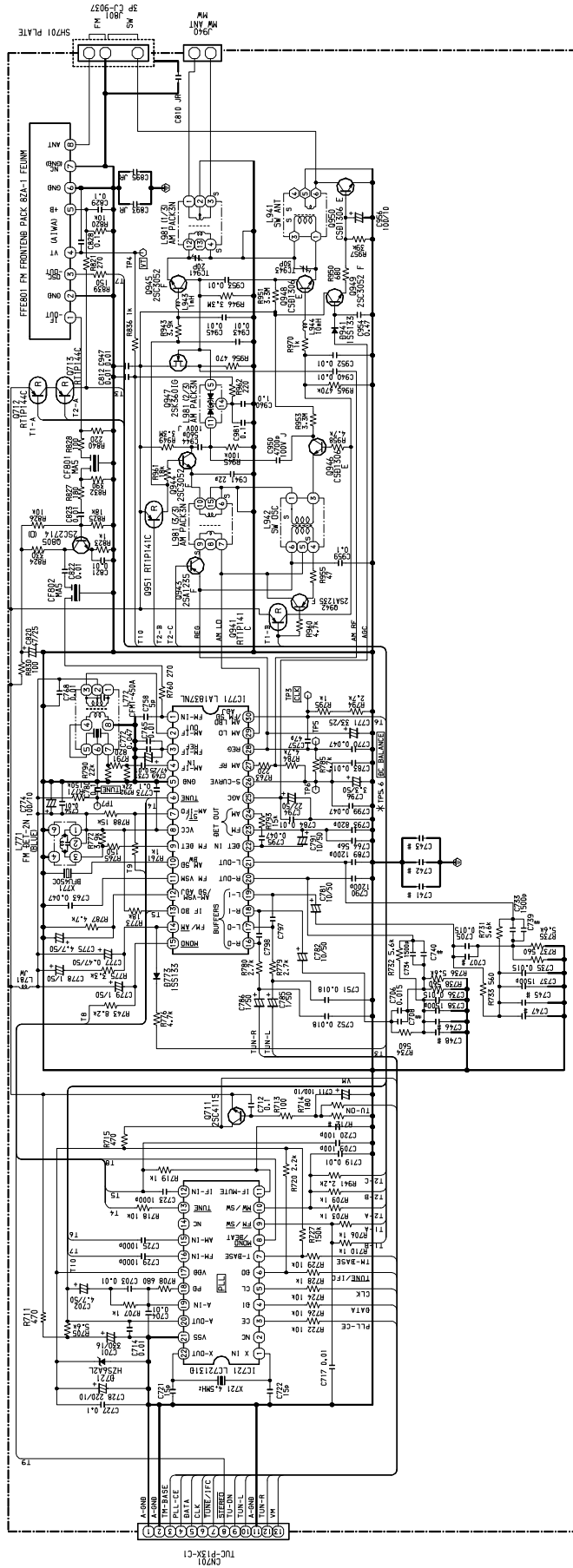
K.OHTSU

SCHEMATIC DIAGRAM (K-CON)

28 AUG 98

T-ZNF-8-MAIN-ALL (P.3)

SCHEMATIC DIAGRAM - 5 (TUNER)



SHR 111-A
MILWAUKEE INSTR. CORP.
RE 241 K12 D1
EC-62241-05-1
21 10 98

REZAKI



アイワ株式会社 〒110-8710 東京都台東区池之端1-2-11 ☎03(3827)3111 (代表)
AIWA CO.,LTD. 2-11, IKENOHATA 1-CHOME, TAITO-KU, TOKYO 110, JAPAN TEL:03 (3827) 3111