

aiwa



NSX-MA845

COMPACT DISC STEREO SYSTEM

- BASIC TAPE MECHANISM: 2ZM-3MK2 PR7NM
- BASIC CD MECHANISM: 4ZG-1 Z3RNDSHM

- TYPE: U

SIMPLE MANUAL

- Replace this Service Manual with "Revision Publishing" when it is issued.

S/M Code No. 09-994-408-9T1

MANUAL
SERVICE

ELECTRICAL PARTS LIST-1/10

NOTE: The characters in the suffix column indicate the part usage.

REF.NO	PARTS NO.	DESCRIPTION	SUFFIX
USTMXX	KANRI	A
C	606	87-010-112-040	CAP,E 100-16
C	608	87-010-178-080	CHIP CAP 1000P
C	601	87-010-186-080	CAP,CHIP 4700P
C	605	87-010-196-080	CHIP CAPACITOR,0.1-25
C	607	87-010-196-080	CHIP CAPACITOR,0.1-25
C	603	87-010-320-080	CHIP CAP 68P
C	604	87-010-546-040	CAP,E 0.33-50
C	602	87-015-699-040	CAP,E 10-50 7L
C	652	87-010-183-080	C-CAP,S 2700P-50 B
C	653	87-010-213-080	C-CAP,S 0.015-50 B
FB	601	87-A50-190-080	C-COIL,S BLM21A102S
J	601	87-A60-651-010	JACK,3.5MONO
J	602	87-A60-651-010	JACK,3.5MONO
Q	604	87-A30-075-080	C-TR,2SA1235F
Q	603	87-A30-076-080	C-TR,2SC3052F
Q	602	87-A30-076-080	C-TR,2SC3052F
Q	601	87-A30-087-080	C-FET,2SK2158
C	1	87-010-387-080	CAP,E 470-25 SME
C	9	87-016-520-090	CAP,E 3300-65
C	8	87-016-520-090	CAP,E 3300-65
C	9	87-016-657-090	CAP,E 3300-71
C	8	87-016-657-090	CAP,E 3300-71
C	5	87-A11-148-080	CAP,TC U 0.1-50 Z F
C	4	87-A11-148-080	CAP,TC U 0.1-50 Z F
C	6	87-A11-148-080	CAP,TC U 0.1-50 Z F
C	3	87-A11-148-080	CAP,TC U 0.1-50 Z F
C	11	87-010-917-090	CAP,E 3300-50 M SMG
C	10	87-010-917-090	CAP,E 3300-50 M SMG
C	12	87-A11-148-080	CAP,TC U 0.1-50 Z F
C	13	87-A11-148-080	CAP,TC U 0.1-50 Z F
C	31	87-010-403-080	CAP, ELECT 3.3-50V
CN	4	87-099-043-010	CONN 2P EH
CN	3	87-099-043-010	CONN 2P EH
CN	1	87-A60-851-010	CONN,9P V VH
D	1	87-020-465-080	DIODE,1SS133 (110MA)
D	4	87-020-465-080	DIODE,1SS133 (110MA)
D	2	87-020-465-080	DIODE,1SS133 (110MA)
D	3	87-020-465-080	DIODE,1SS133 (110MA)
D	5	87-020-465-080	DIODE,1SS133 (110MA)
D	8	87-A40-549-090	DIODE,RBA-1002
D	6	87-A40-549-090	DIODE,RBA-1002
D	31	87-020-465-080	DIODE,1SS133 (110MA)
D	32	87-020-465-080	DIODE,1SS133 (110MA)
PR	5	87-026-682-080	PROTECTOR,10A 60V491
PR	3	87-026-682-080	PROTECTOR,10A 60V491
PR	2	87-026-682-080	PROTECTOR,10A 60V491
PR	4	87-026-682-080	PROTECTOR,10A 60V491
PR	2	87-026-691-080	FUSE,10A 125V 251
PR	1	87-026-691-080	FUSE,10A 125V 251
PT	2	8Z-NF8-661-010	PT,SUB ZNF-8(U)
PT	2	8Z-NF8-662-010	PT,SUB ZNF-8(E)
Q	31	87-026-245-080	TR,DTC114ES
Q	32	87-A30-198-080	TR,KTC3199GR
RY	2	87-A90-977-010	RELAY,AC12V DG12D1-O(M)
T	2	87-A60-317-010	TERMINAL, 1P MSC
T	1	87-A60-317-010	TERMINAL, 1P MSC
*		88-NF6-205-010	GUIDE,FL 40-150- 9
*		8Z-NF6-202-010	GUIDE,FUN
*		8Z-NF6-203-010	GUIDE,OPE
C	103	87-010-178-080	CHIP CAP 1000P
C	106	87-010-311-080	CAP 12P
C	105	87-010-316-080	C-CAP,S 33P-50 CH
C	108	87-010-405-040	CAP,E 10-50
C	107	87-012-157-080	C-CAP,S 330P-50 CH
C	114	87-010-196-080	CHIP CAPACITOR,0.1-25
C	115	87-010-198-080	CAP, CHIP 0.022
C	116	87-010-493-040	CAP,E 0.47-50 GAS
C	117	87-010-498-040	CAP,E 10-16 GAS
C	112	87-016-081-080	C-CAP,S 0.1-16 RK
C	118	87-A11-242-040	CAP,E 220-10 M 5L SRM
C	113	87-A11-242-040	CAP,E 220-10 M 5L SRM
C	122	87-010-178-080	CHIP CAP 1000P
C	125	87-010-196-080	CHIP CAPACITOR,0.1-25
C	126	87-010-196-080	CHIP CAPACITOR,0.1-25
C	124	87-010-196-080	CHIP CAPACITOR,0.1-25
C	123	87-010-196-080	CHIP CAPACITOR,0.1-25
C	121	87-012-368-080	C-CAP,S 0.1-50 F
C	153	87-010-196-080	CHIP CAPACITOR,0.1-25
C	154	87-010-264-040	CAP,E 100-10 5L
C	151	87-012-369-080	C-CAP,S 0.047-50F
C	186	87-010-182-080	C-CAP,S 2200P-50 B
C	185	87-010-197-080	CAP, CHIP 0.01 DM
C	181	87-012-157-080	C-CAP,S 330P-50 CH
C	202	87-010-177-080	C-CAP,S 820P-50 SL
C	210	87-012-157-080	C-CAP,S 330P-50 CH
C	214	87-012-157-080	C-CAP,S 330P-50 CH

ELECTRICAL PARTS LIST-2/10

C	213	87-012-157-080	C-CAP,S 330P-50 CH	A.....
C	223	87-010-408-040	CAP,E 47-50 SME	A.....
C	221	87-010-421-040	CAP,E 4.7-50 5L	A.....
C	222	87-010-421-040	CAP,E 4.7-50 5L	A.....
C	224	87-012-369-080	C-CAP,S 0.047-50F	A.....
C	387	87-010-196-080	CHIP CAPACITOR,0.1-25	A.....
C	383	87-010-196-080	CHIP CAPACITOR,0.1-25	A.....
C	384	87-010-196-080	CHIP CAPACITOR,0.1-25	A.....
C	385	87-010-196-080	CHIP CAPACITOR,0.1-25	A.....
C	386	87-010-196-080	CHIP CAPACITOR,0.1-25	A.....
C	381	87-010-196-080	CHIP CAPACITOR,0.1-25	A.....
C	382	87-012-158-080	C-CAP,S 390P-50 CH	A.....
C	401	87-010-196-080	CHIP CAPACITOR,0.1-25	A.....
C	402	87-010-196-080	CHIP CAPACITOR,0.1-25	A.....
C	405	87-010-319-080	C-CAP,S 56P-50 CH	A.....
C	404	87-010-319-080	C-CAP,S 56P-50 CH	A.....
C	403	87-010-319-080	C-CAP,S 56P-50 CH	A.....
C	406	87-010-322-080	C-CAP,S 100P-50 CH	A.....
C	407	87-010-322-080	C-CAP,S 100P-50 CH	A.....
C	408	87-010-322-080	C-CAP,S 100P-50 CH	A.....
C	702	87-A10-818-040	CAP,E 100-16 7LSRA SERIES	A.....
C	701	87-A10-818-040	CAP,E 100-16 7LSRA SERIES	A.....
CN	101	87-099-720-010	CONN,30P TYK-B(P)	A.....
CN	104	87-A60-140-010	CONN,15P V FE	A.....
CN	301	87-A60-131-010	CONN,6P V FE	A.....
CN	302	87-A60-154-010	CONN,6P H FE	A.....
CN	901	87-099-030-010	CONN,13P 6216H	A.....
D	108	87-020-465-080	DIODE,1SS133 (110MA)	A.....
D	103	87-020-465-080	DIODE,1SS133 (110MA)	A.....
D	104	87-020-465-080	DIODE,1SS133 (110MA)	A.....
D	107	87-A40-270-080	C-DIODE,MC2838	A.....
D	109	87-A40-509-080	ZENER,MTZJ6.8C	A.....
D	111	87-020-465-080	DIODE,1SS133 (110MA)	A.....
D	309	87-020-465-080	DIODE,1SS133 (110MA)	A.....
D	305	87-020-465-080	DIODE,1SS133 (110MA)	A.....
D	303	87-020-465-080	DIODE,1SS133 (110MA)	A.....
D	307	87-020-465-080	DIODE,1SS133 (110MA)	A.....
D	302	87-020-465-080	DIODE,1SS133 (110MA)	A.....
D	308	87-020-465-080	DIODE,1SS133 (110MA)	A.....
D	304	87-020-465-080	DIODE,1SS133 (110MA)	A.....
D	306	87-020-465-080	DIODE,1SS133 (110MA)	A.....
D	301	87-020-465-080	DIODE,1SS133 (110MA)	A.....
D	310	87-020-465-080	DIODE,1SS133 (110MA)	A.....
D	316	87-020-465-080	DIODE,1SS133 (110MA)	A.....
D	311	87-020-465-080	DIODE,1SS133 (110MA)	A.....
D	312	87-020-465-080	DIODE,1SS133 (110MA)	A.....
D	318	87-020-465-080	DIODE,1SS133 (110MA)	A.....
D	315	87-020-465-080	DIODE,1SS133 (110MA)	A.....
D	314	87-020-465-080	DIODE,1SS133 (110MA)	A.....
D	313	87-020-465-080	DIODE,1SS133 (110MA)	A.....
D	322	87-020-465-080	DIODE,1SS133 (110MA)	A.....
D	385	87-017-932-080	ZENER,MTJ6.2B	A.....
D	383	87-020-465-080	DIODE,1SS133 (110MA)	A.....
D	382	87-020-465-080	DIODE,1SS133 (110MA)	A.....
D	384	87-020-465-080	DIODE,1SS133 (110MA)	A.....
D	381	87-020-465-080	DIODE,1SS133 (110MA)	A.....
D	701	87-A40-269-080	C-DIODE,MC2836	A.....
FL	201	8Z-NF6-601-010	FL,BJ687GK-ZNF6	A.....
IC	103	87-A20-951-010	IC,TSOP1838RF1	A.....
IC	101	8Z-NF7-605-010	C-IC,LC876572W-****	A.....
IC	380	87-A21-023-040	C-IC,BA3835F	A.....
IC	402	87-A21-021-040	C-IC,BU2099FV	A.....
IC	401	87-A21-021-040	C-IC,BU2099FV	A.....
L	101	87-A50-333-010	COIL,OSC 9.43MHZ	A.....
LED	293	87-A40-589-040	LED,SLR-56VCT31 RED	A.....
LED	407	87-017-350-080	LED,SEL1550CM	A.....
LED	409	87-017-350-080	LED,SEL1550CM	A.....
LED	406	87-017-350-080	LED,SEL1550CM	A.....
LED	408	87-017-350-080	LED,SEL1550CM	A.....
LED	401	87-A40-317-080	LED,SLR-342VCT31 RED	A.....
LED	403	87-A40-317-080	LED,SLR-342VCT31 RED	A.....
LED	404	87-A40-317-080	LED,SLR-342VCT31 RED	A.....
LED	405	87-A40-317-080	LED,SLR-342VCT31 RED	A.....
LED	402	87-A40-317-080	LED,SLR-342VCT31 RED	A.....
LED	412	87-017-350-080	LED,SEL1550CM	A.....
LED	413	87-017-350-080	LED,SEL1550CM	A.....
LED	415	87-017-350-080	LED,SEL1550CM	A.....
LED	410	87-017-350-080	LED,SEL1550CM	A.....
LED	414	87-017-350-080	LED,SEL1550CM	A.....
LED	411	87-017-350-080	LED,SEL1550CM	A.....
LED	419	87-A40-607-080	LED,SLR-56PTTB7 PG	A.....
LED	416	87-A40-607-080	LED,SLR-56PTTB7 PG	A.....
LED	418	87-A40-607-080	LED,SLR-56PTTB7 PG	A.....
LED	417	87-A40-607-080	LED,SLR-56PTTB7 PG	A.....
LED	421	87-A40-607-080	LED,SLR-56PTTB7 PG	A.....
LED	420	87-A40-607-080	LED,SLR-56PTTB7 PG	A.....
LED	435	87-A40-563-010	LED,SEL6515C-LF62 PGRN	A.....
LED	433	87-A40-563-010	LED,SEL6515C-LF62 PGRN	A.....
LED	436	87-A40-563-010	LED,SEL6515C-LF62 PGRN	A.....
LED	434	87-A40-563-010	LED,SEL6515C-LF62 PGRN	A.....
LED	440	87-A40-608-040	LED,SLV-312VC RED	A.....
LED	442	87-A40-608-040	LED,SLV-312VC RED	A.....

ELECTRICAL PARTS LIST-3/10

LED	441	87-A40-608-040	LED,SLV-312VC	RED	A.....
LED	444	87-A40-609-040	LED,SLV-312MC	PG	A.....
LED	448	87-A40-609-040	LED,SLV-312MC	PG	A.....
LED	443	87-A40-609-040	LED,SLV-312MC	PG	A.....
LED	445	87-A40-609-040	LED,SLV-312MC	PG	A.....
LED	447	87-A40-609-040	LED,SLV-312MC	PG	A.....
LED	446	87-A40-609-040	LED,SLV-312MC	PG	A.....
LED	450	87-A40-589-040	LED,SLR-56VCT31	RED	A.....
LED	451	87-A40-589-040	LED,SLR-56VCT31	RED	A.....
LED	461	87-A40-564-010	LED,SEL6215S-LF62	RED	A.....
LED	462	87-A40-564-010	LED,SEL6215S-LF62	RED	A.....
LED	470	87-A40-608-040	LED,SLV-312VC	RED	A.....
LED	474	87-A40-608-040	LED,SLV-312VC	RED	A.....
LED	472	87-A40-608-040	LED,SLV-312VC	RED	A.....
LED	475	87-A40-609-040	LED,SLV-312MC	PG	A.....
LED	473	87-A40-609-040	LED,SLV-312MC	PG	A.....
LED	471	87-A40-609-040	LED,SLV-312MC	PG	A.....
LED	482	87-A40-619-040	LED,SLR-56PT-T31-W	GRN	A.....
LED	486	87-A40-619-040	LED,SLR-56PT-T31-W	GRN	A.....
LED	481	87-A40-619-040	LED,SLR-56PT-T31-W	GRN	A.....
LED	488	87-A40-619-040	LED,SLR-56PT-T31-W	GRN	A.....
LED	483	87-A40-619-040	LED,SLR-56PT-T31-W	GRN	A.....
LED	485	87-A40-619-040	LED,SLR-56PT-T31-W	GRN	A.....
LED	487	87-A40-619-040	LED,SLR-56PT-T31-W	GRN	A.....
LED	484	87-A40-619-040	LED,SLR-56PT-T31-W	GRN	A.....
Q	102	87-026-610-080	TR,KTC3198GR		A.....
Q	108	87-A30-073-080	C-TR,RT1N 141C		A.....
Q	104	87-A30-087-080	C-FET,2SK2158		A.....
Q	103	87-A30-087-080	C-FET,2SK2158		A.....
Q	101	87-A30-087-080	C-FET,2SK2158		A.....
Q	262	87-A30-085-070	C-TR,CSA1362GR		A.....
Q	301	87-A30-076-080	C-TR,2SC3052F		A.....
Q	703	87-A30-085-070	C-TR,CSA1362GR		A.....
Q	702	87-A30-085-070	C-TR,CSA1362GR		A.....
Q	701	87-A30-200-080	TR,2SA1585SR		A.....
S	101	87-A90-535-010	SW,RTRY EC16B24304		A.....
S	102	87-A90-982-010	SW,RTRY RE0121-30		A.....
S	302	87-A91-024-080	SW,TACT KSH0611BT		A.....
S	309	87-A91-024-080	SW,TACT KSH0611BT		A.....
S	308	87-A91-024-080	SW,TACT KSH0611BT		A.....
S	301	87-A91-024-080	SW,TACT KSH0611BT		A.....
S	303	87-A91-024-080	SW,TACT KSH0611BT		A.....
S	307	87-A91-024-080	SW,TACT KSH0611BT		A.....
S	315	87-A91-024-080	SW,TACT KSH0611BT		A.....
S	313	87-A91-024-080	SW,TACT KSH0611BT		A.....
S	311	87-A91-024-080	SW,TACT KSH0611BT		A.....
S	310	87-A91-024-080	SW,TACT KSH0611BT		A.....
S	314	87-A91-024-080	SW,TACT KSH0611BT		A.....
S	312	87-A91-024-080	SW,TACT KSH0611BT		A.....
S	329	87-A91-024-080	SW,TACT KSH0611BT		A.....
S	327	87-A91-024-080	SW,TACT KSH0611BT		A.....
S	326	87-A91-024-080	SW,TACT KSH0611BT		A.....
S	322	87-A91-024-080	SW,TACT KSH0611BT		A.....
S	328	87-A91-024-080	SW,TACT KSH0611BT		A.....
S	325	87-A91-024-080	SW,TACT KSH0611BT		A.....
S	324	87-A91-024-080	SW,TACT KSH0611BT		A.....
S	321	87-A91-024-080	SW,TACT KSH0611BT		A.....
S	323	87-A91-024-080	SW,TACT KSH0611BT		A.....
S	335	87-A91-024-080	SW,TACT KSH0611BT		A.....
S	334	87-A91-024-080	SW,TACT KSH0611BT		A.....
S	333	87-A91-024-080	SW,TACT KSH0611BT		A.....
S	332	87-A91-024-080	SW,TACT KSH0611BT		A.....
S	345	87-A91-024-080	SW,TACT KSH0611BT		A.....
S	346	87-A91-024-080	SW,TACT KSH0611BT		A.....
S	341	87-A91-024-080	SW,TACT KSH0611BT		A.....
S	348	87-A91-024-080	SW,TACT KSH0611BT		A.....
S	343	87-A91-024-080	SW,TACT KSH0611BT		A.....
S	344	87-A91-024-080	SW,TACT KSH0611BT		A.....
S	342	87-A91-024-080	SW,TACT KSH0611BT		A.....
S	349	87-A91-024-080	SW,TACT KSH0611BT		A.....
S	352	87-A91-024-080	SW,TACT KSH0611BT		A.....
S	353	87-A91-024-080	SW,TACT KSH0611BT		A.....
S	354	87-A91-024-080	SW,TACT KSH0611BT		A.....
S	350	87-A91-024-080	SW,TACT KSH0611BT		A.....
S	355	87-A91-024-080	SW,TACT KSH0611BT		A.....
S	351	87-A91-024-080	SW,TACT KSH0611BT		A.....
C	802	87-010-176-080	C-CAP,S 680P-50 SL		A.....
C	803	87-010-187-080	CAP CHIP S5600P		A.....
C	805	87-010-196-080	CHIP CAPACITOR,0.1-25		A.....
C	804	87-010-213-080	C-CAP,S 0.015-50 B		A.....
C	806	87-010-401-040	CAP,E 1-50 SME		A.....
C	809	87-012-155-080	C-CAP 180P-50CH		A.....
C	801	87-012-156-080	C-CAP,S 220P-50 CH		A.....
C	810	87-010-263-040	CAP,E 100-10		A.....
C	811	87-010-382-040	CAP,E 22-25 SME		A.....
C	812	87-010-405-040	CAP,E 10-50		A.....
D	801	87-017-931-080	ZENER,MTZJ5.6B		A.....
IC	801	87-A21-051-040	C-IC,BU9990-03FS		A.....
L	802	87-005-847-080	COIL,2.2UH(CECS)		A.....
L	801	87-A50-093-010	COIL,CLOCK 5.76MHZ		A.....
C	309	87-010-196-080	CHIP CAPACITOR,0.1-25		A.....
C	307	87-010-196-080	CHIP CAPACITOR,0.1-25		A.....

ELECTRICAL PARTS LIST-4/10

C	301	87-010-318-080	C-CAP,S 47P-50 CH	A.....
C	302	87-010-318-080	C-CAP,S 47P-50 CH	A.....
C	306	87-012-145-080	CAP,CHIP S 270P CH
C	305	87-012-145-080	CAP,CHIP S 270P CH
C	305	87-012-157-080	C-CAP,S 330P-50 CH	A.....
C	304	87-012-157-080	C-CAP,S 330P-50 CH	A.....
C	306	87-012-157-080	C-CAP,S 330P-50 CH	A.....
C	303	87-012-157-080	C-CAP,S 330P-50 CH	A.....
C	315	87-010-178-080	CHIP CAP 1000P	A.....
C	314	87-010-178-080	CHIP CAP 1000P	A.....
C	313	87-010-178-080	CHIP CAP 1000P	A.....
C	316	87-010-178-080	CHIP CAP 1000P	A.....
C	314	87-010-179-080	CAP,CHIP S B1200P
C	313	87-010-179-080	CAP,CHIP S B1200P
C	310	87-010-196-080	CHIP CAPACITOR,0.1-25	A.....
C	312	87-010-198-080	CAP,CHIP 0.022	A.....
C	311	87-010-198-080	CAP,CHIP 0.022	A.....
C	319	87-012-141-080	CHIP-CAPACITOR,0.22-16F
C	317	87-012-142-080	CAP,S 0.33-16
C	318	87-012-142-080	CAP,S 0.33-16
C	324	87-010-260-080	CAP,ELECT 47-25V	A.....
C	325	87-010-370-080	CAP,E 330-6.3 SME	A.....
C	328	87-010-404-080	CAP,ELECT 4.7-50V	A.....
C	327	87-010-404-080	CAP,ELECT 4.7-50V	A.....
C	320	87-012-141-080	CHIP-CAPACITOR,0.22-16F
C	321	87-012-142-080	CAP,S 0.33-16	A.....
C	322	87-012-142-080	CAP,S 0.33-16	A.....
C	332	87-010-196-080	CHIP CAPACITOR,0.1-25	A.....
C	337	87-010-196-080	CHIP CAPACITOR,0.1-25	A.....
C	339	87-010-196-080	CHIP CAPACITOR,0.1-25	A.....
C	335	87-010-401-080	CAP,ELECT 1-50V	A.....
C	336	87-010-401-080	CAP,ELECT 1-50V	A.....
C	340	87-010-196-080	CHIP CAPACITOR,0.1-25	A.....
C	354	87-010-175-080	CAP 560P	A.....
C	358	87-010-183-080	C-CAP,S 2700P-50 B	A.....
C	359	87-010-183-080	C-CAP,S 2700P-50 B	A.....
C	357	87-010-197-080	CAP,CHIP 0.01 DM	A.....
C	356	87-010-260-080	CAP,ELECT 47-25V	A.....
C	352	87-012-140-080	CAP 470P	A.....
C	351	87-012-140-080	CAP 470P	A.....
C	355	87-012-349-080	C-CAP,S 1000P-50 CH	A.....
C	360	87-010-183-080	C-CAP,S 2700P-50 B	A.....
C	363	87-A10-292-080	CAP,M 5600P-50 J	A.....
C	372	87-010-175-080	CAP 560P
C	371	87-010-175-080	CAP 560P
C	373	87-010-179-080	CAP,CHIP S B1200P
C	374	87-010-179-080	CAP,CHIP S B1200P
C	370	87-010-196-080	CHIP CAPACITOR,0.1-25	A.....
C	378	87-010-196-080	CHIP CAPACITOR,0.1-25	A.....
C	379	87-010-382-080	CAP,ELECT 22-25V	A.....
C	376	87-010-545-080	CAP,ELECT 0.22-50V
C	375	87-010-545-080	CAP,ELECT 0.22-50V
C	374	87-016-083-080	C-CAP,S 0.15-16 RK	A.....
C	373	87-016-083-080	C-CAP,S 0.15-16 RK	A.....
C	385	87-010-184-080	CHIP CAPACITOR 3300P(K)
C	386	87-010-196-080	CHIP CAPACITOR,0.1-25	A.....
C	381	87-010-197-080	CAP,CHIP 0.01 DM	A.....
C	383	87-010-197-080	CAP,CHIP 0.01 DM	A.....
C	382	87-010-312-080	C-CAP,S 15P-50 CH	A.....
C	382	87-010-318-080	C-CAP,S 47P-50 CH
C	380	87-010-382-080	CAP,ELECT 22-25V	A.....
C	384	87-010-402-080	CAP,ELECT 2.2-50V	A.....
C	387	87-012-145-080	CAP,CHIP S 270P CH	A.....
C	388	87-012-156-080	C-CAP,S 220P-50 CH	A.....
C	391	87-010-319-080	C-CAP,S 56P-50 CH	A.....
C	394	87-010-319-080	C-CAP,S 56P-50 CH	A.....
C	392	87-010-319-080	C-CAP,S 56P-50 CH	A.....
C	393	87-010-319-080	C-CAP,S 56P-50 CH	A.....
C	392	87-012-145-080	CAP,CHIP S 270P CH
C	394	87-012-145-080	CAP,CHIP S 270P CH
C	391	87-012-145-080	CAP,CHIP S 270P CH
C	393	87-012-145-080	CAP,CHIP S 270P CH
CN	301	87-099-827-010	CONN,3P S2M-3W	A.....
CN	351	87-099-832-010	CONN,8P S2M-8W	A.....
D	352	87-A40-269-080	C-DIODE,MC2836	A.....
FB	301	87-008-372-080	FILTER,EMI BL OIRNI
IC	302	87-A20-355-010	IC,CXA1553P
IC	303	87-A20-783-040	C-IC,BA7762AFS	A.....
L	302	87-A50-049-010	COIL,TRAP 85K(COI)	A.....
L	301	87-A50-049-010	COIL,TRAP 85K(COI)	A.....
L	351	87-007-342-010	COIL,OSC 85K BIAS	A.....
Q	357	87-026-610-080	TR,KTC3198GR	A.....
Q	358	87-026-610-080	TR,KTC3198GR	A.....
Q	359	87-026-610-080	TR,KTC3198GR	A.....
Q	356	87-A30-076-080	C-TR,2SC3052F
Q	351	87-A30-087-080	C-FET,2SK2158	A.....
Q	354	87-A30-087-080	C-FET,2SK2158	A.....
Q	353	87-A30-087-080	C-FET,2SK2158	A.....
Q	355	87-A30-105-080	C-TR,RT1P 441C	A.....
Q	383	87-A30-075-080	C-TR,2SA1235F	A.....
Q	382	87-A30-076-080	C-TR,2SC3052F	A.....
Q	381	87-A30-076-080	C-TR,2SC3052F	A.....

ELECTRICAL PARTS LIST-5/10

SFR	305	87-A90-433-080	SFR,50K H NVZ6TLTA	A
SFR	306	87-A90-433-080	SFR,50K H NVZ6TLTA	A
SFR	303	87-A90-557-080	SFR,33K H HOKU	A
SFR	304	87-A90-557-080	SFR,33K H HOKU	A
SFR	301	87-A90-557-080	SFR,33K H HOKU	A
SFR	352	87-A90-433-080	SFR,50K H NVZ6TLTA	A
SFR	351	87-A90-433-080	SFR,50K H NVZ6TLTA	A
SFR	3002	87-A90-557-080	SFR,33K H HOKU	A
C	408	87-010-188-080	CAP,CHIP 6800P	A
C	407	87-010-188-080	CAP,CHIP 6800P	A
C	401	87-010-196-080	CHIP CAPACITOR,0.1-25	A
C	402	87-010-260-080	CAP, ELECT 47-25V	A
C	404	87-010-404-080	CAP, ELECT 4.7-50V	A
C	405	87-010-404-080	CAP, ELECT 4.7-50V	A
C	403	87-010-404-080	CAP, ELECT 4.7-50V	A
C	406	87-010-404-080	CAP, ELECT 4.7-50V	A
C	409	87-012-140-080	CAP 470P	A
C	415	87-010-197-080	CAP, CHIP 0.01 DM	A
C	416	87-010-197-080	CAP, CHIP 0.01 DM	A
C	419	87-010-260-080	CAP, ELECT 47-25V	A
C	411	87-010-404-080	CAP, ELECT 4.7-50V	A
C	414	87-010-404-080	CAP, ELECT 4.7-50V	A
C	412	87-010-404-080	CAP, ELECT 4.7-50V	A
C	413	87-010-404-080	CAP, ELECT 4.7-50V	A
C	417	87-010-956-080	CHIP-CAP,S 0.068-25B	A
C	418	87-010-956-080	CHIP-CAP,S 0.068-25B	A
C	410	87-012-140-080	CAP 470P	A
D	402	87-020-465-080	DIODE,1SS133 (110MA)	A
D	401	87-A40-269-080	C-DIODE,MC2836	A
IC	401	87-A21-022-040	C-IC,BA3880FS	A
C	458	87-010-196-080	CHIP CAPACITOR,0.1-25	A
C	457	87-010-196-080	CHIP CAPACITOR,0.1-25	A
C	452	87-010-401-080	CAP, ELECT 1-50V	A
C	451	87-010-401-080	CAP, ELECT 1-50V	A
C	453	87-010-545-080	CAP, ELECT 0.22-50V	A
C	454	87-010-545-080	CAP, ELECT 0.22-50V	A
C	459	87-A10-300-080	CAP,M 0.027-50 J	A
C	467	87-016-314-080	C-CAP,S 1-16 F	A
C	465	87-A10-298-080	CAP,M 0.018-50 J	A
C	466	87-A10-298-080	CAP,M 0.018-50 J	A
C	460	87-A10-300-080	CAP,M 0.027-50 J	A
C	461	87-A11-088-080	CAP,TC U 100P-50 J CH	A
C	471	87-010-546-080	CAP, ELECT 0.33-50V	A
C	472	87-010-546-080	CAP, ELECT 0.33-50V	A
IC	451	87-A21-031-040	C-IC,BU4551BF	A
C	6	87-067-579-010	TAPPING SCREW, BVT2+3-8	A
C	3	87-012-368-080	C-CAP,S 0.1-50 F	A
C	5	87-012-368-080	C-CAP,S 0.1-50 F	A
C	4	87-012-368-080	C-CAP,S 0.1-50 F	A
C	1	87-012-369-080	C-CAP,S 0.047-50F	A
C	2	87-012-369-080	C-CAP,S 0.047-50F	A
C	9	87-016-658-090	CAP,E 4700-35 SMG	A
C	10	87-016-658-090	CAP,E 4700-35 SMG	A
C	27	87-010-197-080	CAP, CHIP 0.01 DM	A
C	29	87-010-247-080	CAP, ELECT 100-50V	A
C	28	87-010-263-080	CAP, ELECT 100-10V	A
C	26	87-010-263-080	CAP, ELECT 100-10V	A
C	21	87-010-385-080	CAP, ELECT 220-25V	A
C	23	87-010-385-080	CAP, ELECT 220-25V	A
C	24	87-010-385-080	CAP, ELECT 220-25V	A
C	22	87-010-385-080	CAP, ELECT 220-25V	A
C	25	87-010-430-080	CAP, ELECT 100-63	A
C	31	87-010-235-010	ELECTROLYTIC, 470-16	A
C	30	87-010-381-080	CAP, ELECT 330-16V	A
C	61	87-010-260-080	CAP, ELECT 47-25V	A
C	62	87-010-496-080	CAP,E 3.3-50 5L	A
C	92	87-010-263-080	CAP, ELECT 100-10V	A
C	93	87-010-380-080	CAP, ELECT 47-16V	A
C	91	87-010-401-080	CAP, ELECT 1-50V	A
CN	1	87-A60-739-010	CONN,13P JL-BT	A
CN	91	87-A60-109-010	CONN,2P V S2M-2W	A
CNA	1	8Z-NF8-669-010	CONN ASSY,9P VH	A
D	8	87-020-465-080	DIODE,1SS133 (110MA)	A
D	9	87-020-465-080	DIODE,1SS133 (110MA)	A
D	5	87-070-274-080	DIODE,1N4003 SEM	A
D	4	87-070-274-080	DIODE,1N4003 SEM	A
D	6	87-070-274-080	DIODE,1N4003 SEM	A
D	3	87-070-274-080	DIODE,1N4003 SEM	A
D	7	87-A40-341-080	ZENER,MTZJ 36 A	A
D	1	87-A40-549-090	DIODE,RBA-1002	A
D	10	87-A40-345-080	ZENER,MTZJ10C	A
D	64	87-070-274-080	DIODE,1N4003 SEM	A
D	63	87-A40-004-080	ZENER,MTZJ16A	A
D	62	87-A40-269-080	C-DIODE,MC2836	A
D	61	87-A40-270-080	C-DIODE,MC2838	A
D	91	87-020-465-080	DIODE,1SS133 (110MA)	A
D	92	87-020-465-080	DIODE,1SS133 (110MA)	A
JW	16	87-008-372-010	FILTER, EMI BL OIRNI	A
Q	2	87-026-609-080	TR,KTA1266GR	A
QO	1	87-026-609-080	TR,KTA1266GR	A
Q	5	87-026-610-080	TR,KTC3198GR	A

ELECTRICAL PARTS LIST-6/10

Q	8	87-A30-075-080	C-TR,2SA1235F	A.....
Q	7	87-A30-075-080	C-TR,2SA1235F	A.....
Q	6	87-A30-076-080	C-TR,2SC3052F	A.....
Q	9	87-A30-234-080	TR,CSC4115BC	A.....
Q	64	87-A30-075-080	C-TR,2SA1235F	A.....
Q	66	87-A30-075-080	C-TR,2SA1235F	A.....
Q	63	87-A30-076-080	C-TR,2SC3052F	A.....
Q	67	87-A30-076-080	C-TR,2SC3052F	A.....
Q	65	87-A30-076-080	C-TR,2SC3052F	A.....
Q	92	87-026-609-080	TR,KTA1266GR	A.....
Q	91	87-A30-076-080	C-TR,2SC3052F	A.....
R	20	87-A00-261-080	RES,M/F 0.56-1W J	A.....
WH	1	87-A90-510-010	HLDR,WIRE 2.5-9P	A.....
*		87-067-703-010	TAPPING SCREW, BVT2+3-10	A.....
C	101	87-010-178-080	CHIP CAP 1000P	A.....
C	102	87-010-178-080	CHIP CAP 1000P	A.....
C	105	87-010-184-080	CHIP CAPACITOR 3300P(K)	A.....
C	106	87-010-184-080	CHIP CAPACITOR 3300P(K)	A.....
C	109	87-010-322-080	C-CAP,S 100P-50 CH	A.....
C	107	87-010-403-080	CAP, ELECT 3.3-50V	A.....
C	108	87-010-403-080	CAP, ELECT 3.3-50V	A.....
C	104	87-010-404-080	CAP, ELECT 4.7-50V	A.....
C	103	87-010-404-080	CAP, ELECT 4.7-50V	A.....
C	111	87-010-260-080	CAP, ELECT 47-25V	A.....
C	112	87-010-260-080	CAP, ELECT 47-25V	A.....
C	110	87-010-322-080	C-CAP,S 100P-50 CH	A.....
C	117	87-016-247-080	C-CAP,0.1-50 F	A.....
C	118	87-016-247-080	C-CAP,0.1-50 F	A.....
C	114	87-A10-812-080	C-CAP,S 220P-200 J CH	A.....
C	113	87-A10-812-080	C-CAP,S 220P-200 J CH	A.....
C	123	87-010-176-080	C-CAP,S 680P-50 SL
C	124	87-010-176-080	C-CAP,S 680P-50 SL
C	122	87-010-178-080	CHIP CAP 1000P	A.....
C	121	87-010-178-080	CHIP CAP 1000P	A.....
C	128	87-012-368-080	C-CAP,S 0.1-50 F	A.....
C	127	87-012-368-080	C-CAP,S 0.1-50 F	A.....
C	126	87-012-368-080	C-CAP,S 0.1-50 F	A.....
C	125	87-012-368-080	C-CAP,S 0.1-50 F	A.....
C	133	87-010-197-080	CAP, CHIP 0.01 DM	A.....
D	101	87-020-465-080	DIODE,1SS133 (110MA)	A.....
D	104	87-020-465-080	DIODE,1SS133 (110MA)	A.....
D	103	87-020-465-080	DIODE,1SS133 (110MA)	A.....
D	102	87-020-465-080	DIODE,1SS133 (110MA)	A.....
D	109	87-020-465-080	DIODE,1SS133 (110MA)	A.....
D	107	87-A40-488-080	DIODE,1SS244	A.....
D	108	87-A40-488-080	DIODE,1SS244	A.....
D	111	87-020-331-080	CHIP-DIODE,DAN202K	A.....
D	114	87-020-465-080	DIODE,1SS133 (110MA)	A.....
D	112	87-020-465-080	DIODE,1SS133 (110MA)	A.....
D	110	87-020-465-080	DIODE,1SS133 (110MA)	A.....
D	113	87-020-465-080	DIODE,1SS133 (110MA)	A.....
L	101	87-003-383-010	COIL,1UH-S	A.....
L	102	87-003-383-010	COIL,1UH-S	A.....
Q	61	87-A30-074-080	C-TR,RT1P 141C	A.....
Q	62	87-A30-268-040	C-TR,2SA1514K(S)	A.....
Q	104	87-A30-075-080	C-TR,2SA1235F	A.....
Q	103	87-A30-075-080	C-TR,2SA1235F	A.....
Q	105	87-A30-075-080	C-TR,2SA1235F	A.....
Q	106	87-A30-075-080	C-TR,2SA1235F	A.....
Q	107	87-A30-076-080	C-TR,2SC3052F	A.....
Q	108	87-A30-076-080	C-TR,2SC3052F	A.....
Q	109	87-A30-076-080	C-TR,2SC3052F	A.....
Q	101	87-A30-086-070	C-TR,CSD1306E	A.....
Q	102	87-A30-086-070	C-TR,CSD1306E	A.....
Q	110	87-A30-076-080	C-TR,2SC3052F	A.....
Q	119	87-A30-097-010	TR, FN 1016	A.....
Q	112	87-A30-190-080	TR,CC5551	A.....
Q	111	87-A30-190-080	TR,CC5551	A.....
Q	119	87-A30-215-010	TR,2SD2025
Q	127	87-A30-075-080	C-TR,2SA1235F	A.....
Q	128	87-A30-076-080	C-TR,2SC3052F	A.....
Q	129	87-A30-076-080	C-TR,2SC3052F	A.....
Q	120	87-A30-097-010	TR, FN 1016	A.....
Q	122	87-A30-098-010	TR, FP 1016	A.....
Q	121	87-A30-098-010	TR, FP 1016	A.....
Q	124	87-A30-106-070	C-TR,CMBT5551	A.....
Q	123	87-A30-106-070	C-TR,CMBT5551	A.....
Q	120	87-A30-215-010	TR,2SD2025
Q	126	87-A30-268-040	C-TR,2SA1514K(S)	A.....
Q	131	87-A30-076-080	C-TR,2SC3052F	A.....
Q	130	87-A30-076-080	C-TR,2SC3052F	A.....
R	129	87-A00-258-080	RES,M/F 0.22-1W J	A.....
R	130	87-A00-258-080	RES,M/F 0.22-1W J	A.....
R	132	87-A00-258-080	RES,M/F 0.22-1W J	A.....
R	131	87-A00-258-080	RES,M/F 0.22-1W J	A.....
R	143	87-A00-441-050	RES,270-1/2W J RP	A.....
R	145	87-A00-441-050	RES,270-1/2W J RP	A.....
R	144	87-A00-441-050	RES,270-1/2W J RP	A.....
R	146	87-A00-441-050	RES,270-1/2W J RP	A.....
R	166	87-A00-258-080	RES,M/F 0.22-1W J	A.....
R	165	87-A00-258-080	RES,M/F 0.22-1W J	A.....
TH	101	87-A91-042-080	C-THMS,100K 55001	A.....

ELECTRICAL PARTS LIST-7/10

TH	102	87-A91-042-080	C-THMS,100K 55001	A.....
C	203	87-010-176-080	C-CAP,S 680P-50 SL	A.....
C	204	87-010-176-080	C-CAP,S 680P-50 SL	A.....
C	202	87-010-402-080	CAP, ELECT 2.2-50V	A.....
C	201	87-010-402-080	CAP, ELECT 2.2-50V	A.....
C	229	87-010-993-080	C-CAP,S 0.056-25 B	A.....
C	232	87-010-196-080	CHIP CAPACITOR,0.1-25	A.....
C	231	87-010-196-080	CHIP CAPACITOR,0.1-25	A.....
C	239	87-010-196-080	CHIP CAPACITOR,0.1-25	A.....
C	230	87-010-993-080	C-CAP,S 0.056-25 B	A.....
C	252	87-010-183-080	C-CAP,S 2700P-50 B	A.....
C	251	87-010-402-080	CAP, ELECT 2.2-50V	A.....
CN	201	87-A60-739-010	CONN,13P JL-BT	A.....
D	213	87-020-465-080	DIODE,1SS133 (110MA)	A.....
J	203	87-033-240-010	TERMINAL,SP 4P32SV1-05	A.....
J	201	87-A60-483-010	JACK,DIA6.3 BLK ST W/S KM	A.....
J	205	87-A60-751-010	JACK,PIN 2P R/W BLUE	A.....
J	204	87-A60-752-010	JACK,PIN 4P R/W,O/B	A.....
J	206	87-A60-872-010	JACK,PIN 3P W/R/O	A.....
L	201	87-003-383-010	COIL,1UH-S	A.....
L	202	87-003-383-010	COIL,1UH-S	A.....
Q	201	87-A30-086-070	C-TR,CSD1306E	A.....
Q	202	87-A30-086-070	C-TR,CSD1306E	A.....
Q	221	87-A30-073-080	C-TR,RT1N 141C	A.....
Q	223	87-A30-105-080	C-TR,RT1P 441C	A.....
Q	230	87-A30-086-070	C-TR,CSD1306E	A.....
Q	802	87-010-176-080	C-CAP,S 680P-50 SL	A.....
Q	801	87-010-176-080	C-CAP,S 680P-50 SL	A.....
Q	809	87-010-196-080	CHIP CAPACITOR,0.1-25	A.....
Q	808	87-010-401-080	CAP, ELECT 1-50V	A.....
Q	807	87-010-401-080	CAP, ELECT 1-50V	A.....
Q	803	87-010-958-080	CHIP -CAP,S 0.01-25BJ	A.....
Q	805	87-010-958-080	CHIP -CAP,S 0.01-25BJ	A.....
Q	804	87-010-958-080	CHIP -CAP,S 0.01-25BJ	A.....
Q	806	87-010-958-080	CHIP -CAP,S 0.01-25BJ	A.....
Q	810	87-010-112-080	CAP, ELECT 100-16V	A.....
Q	817	87-010-221-080	CAP, ELECT 470-10V	A.....
Q	813	87-010-401-080	CAP, ELECT 1-50V	A.....
Q	815	87-010-492-080	CAP,E 0.33-50 M 5L SRE	A.....
Q	816	87-010-492-080	CAP,E 0.33-50 M 5L SRE	A.....
Q	814	87-010-494-080	CAP ELECT GAS 1/50	A.....
Q	811	87-010-495-080	CAP,E2.2-50	A.....
Q	812	87-010-495-080	CAP,E2.2-50	A.....
Q	819	87-A10-800-080	C-CAP,S 6800P-16 J B CM	A.....
Q	818	87-A10-891-080	CAP,E 4.7-25 SME(K)	A.....
Q	821	87-010-196-080	CHIP CAPACITOR,0.1-25	A.....
Q	825	87-010-196-080	CHIP CAPACITOR,0.1-25	A.....
Q	820	87-010-374-080	CAP, ELECT 47-10V	A.....
Q	824	87-010-374-080	CAP, ELECT 47-10V	A.....
Q	829	87-010-545-080	CAP, ELECT 0.22-50V	A.....
Q	822	87-A10-804-080	C-CAP,S 0.1-25 J B	A.....
Q	839	87-010-805-080	CAP, S 1-16	A.....
Q	831	87-010-971-080	C-CAP,S 4700P-50 B J	A.....
Q	837	87-010-971-080	C-CAP,S 4700P-50 B J	A.....
Q	830	87-012-142-080	CAP, S 0.33-16	A.....
Q	832	87-012-349-080	C-CAP,S 1000P-50 CH	A.....
Q	838	87-012-349-080	C-CAP,S 1000P-50 CH	A.....
Q	834	87-A11-182-080	C-CAP,S 0.27-16 J B	A.....
Q	835	87-A11-182-080	C-CAP,S 0.27-16 J B	A.....
Q	833	87-A11-183-080	C-CAP,S 0.12-16 J B	A.....
Q	836	87-A11-183-080	C-CAP,S 0.12-16 J B	A.....
Q	840	87-010-401-080	CAP, ELECT 1-50V	A.....
Q	847	87-010-404-080	CAP, ELECT 4.7-50V	A.....
Q	846	87-010-404-080	CAP, ELECT 4.7-50V	A.....
Q	844	87-012-393-080	C-CAP,S 0.22-16 R K	A.....
Q	848	87-012-393-080	C-CAP,S 0.22-16 R K	A.....
Q	849	87-012-393-080	C-CAP,S 0.22-16 R K	A.....
Q	845	87-012-393-080	C-CAP,S 0.22-16 R K	A.....
Q	843	87-A10-229-080	C-CAP,S 0.68-10 K W5	A.....
Q	841	87-A10-799-080	C-CAP,S 5600P-16 J B CM	A.....
Q	842	87-A10-802-080	C-CAP,S 0.047-16 J B CM	A.....
Q	857	87-016-081-080	C-CAP,S 0.1-16 RK	A.....
Q	853	87-016-081-080	C-CAP,S 0.1-16 RK	A.....
Q	850	87-016-081-080	C-CAP,S 0.1-16 RK	A.....
Q	854	87-016-081-080	C-CAP,S 0.1-16 RK	A.....
Q	856	87-A10-801-080	C-CAP,S 0.022-16 J B CM	A.....
Q	855	87-A10-801-080	C-CAP,S 0.022-16 J B CM	A.....
Q	851	87-A10-802-080	C-CAP,S 0.047-16 J B CM	A.....
Q	852	87-A10-802-080	C-CAP,S 0.047-16 J B CM	A.....
Q	866	87-010-194-080	CAP, CHIP 0.047	A.....
Q	861	87-010-196-080	CHIP CAPACITOR,0.1-25	A.....
Q	863	87-010-196-080	CHIP CAPACITOR,0.1-25	A.....
Q	865	87-012-141-080	CHIP-CAPACITOR,0.22-16F	A.....
Q	868	87-A10-060-080	C-CAP,S 0.18-16 K B	A.....
Q	867	87-A10-201-080	C-CAP,S0.33-16 KB	A.....
Q	879	87-010-179-080	CAP,CHIP S B1200P	A.....
Q	878	87-010-494-080	CAP ELECT GAS 1/50	A.....
Q	880	87-010-179-080	CAP,CHIP S B1200P	A.....
Q	881	87-010-179-080	CAP,CHIP S B1200P	A.....
Q	882	87-010-179-080	CAP,CHIP S B1200P	A.....
Q	899	87-010-196-080	CHIP CAPACITOR,0.1-25	A.....
Q	890	87-010-993-080	C-CAP,S 0.056-25 B	A.....

ELECTRICAL PARTS LIST-8/10

C	898	87-010-993-080	C-CAP,S 0.056-25 B	A.....
CN	203	87-099-564-010	CONN,4P TUC-P4P-B1	A.....
D	802	87-070-136-080	ZENER,MTZJ5.1B	A.....
D	801	87-A40-442-080	ZENER,MTZJ9.1A	A.....
IC	801	87-A21-097-040	C-IC,M62463AFP	A.....
IC	831	87-A21-015-040	C-IC,M62491FP	A.....
J	831	87-A60-746-010	JACK,PIN 6P R/W,R/W, O/B	A.....
L	801	87-003-383-010	COIL,1UH-S	A.....
O	831	87-A30-086-070	C-TR,CSD1306E	A.....
R	807	87-022-214-080	C-RES S100K-1/10WF	A.....
R	845	87-010-195-080	C-CAP,S 0.068-25 F	A.....
C	602	87-010-183-080	C-CAP,S 2700P-50 B	A.....
C	601	87-010-183-080	C-CAP,S 2700P-50 B	A.....
C	605	87-010-318-080	C-CAP,S 47P-50 CH	A.....
C	607	87-010-318-080	C-CAP,S 47P-50 CH	A.....
C	606	87-010-318-080	C-CAP,S 47P-50 CH	A.....
C	608	87-010-318-080	C-CAP,S 47P-50 CH	A.....
C	619	87-010-185-080	C-CAP,S 3900P-50 B	A.....
C	611	87-010-197-080	CAP,CHIP 0.01 DM	A.....
C	612	87-010-322-080	C-CAP,S 100P-50 CH	A.....
C	614	87-016-081-080	C-CAP,S 0.1-16 RK	A.....
C	613	87-016-081-080	C-CAP,S 0.1-16 RK	A.....
C	617	87-A10-305-080	CAP,M 0.068-50 J	A.....
C	618	87-A10-305-080	CAP,M 0.068-50 J	A.....
C	620	87-010-185-080	C-CAP,S 3900P-50 B	A.....
C	627	87-010-196-080	CHIP CAPACITOR,0.1-25	A.....
C	628	87-010-322-080	C-CAP,S 100P-50 CH	A.....
C	622	87-010-401-080	CAP,ELECT 1-50V	A.....
C	625	87-010-401-080	CAP,ELECT 1-50V	A.....
C	621	87-010-401-080	CAP,ELECT 1-50V	A.....
C	626	87-010-401-080	CAP,ELECT 1-50V	A.....
C	629	87-010-405-080	CAP,ELECT 10-50V	A.....
C	624	87-A10-307-080	CAP,M 0.1-50 J	A.....
C	623	87-A10-307-080	CAP,M 0.1-50 J	A.....
C	637	87-010-183-080	C-CAP,S 2700P-50 B	A.....
C	635	87-010-196-080	CHIP CAPACITOR,0.1-25	A.....
C	634	87-010-196-080	CHIP CAPACITOR,0.1-25	A.....
C	630	87-010-213-080	C-CAP,S 0.015-50 B	A.....
C	632	87-010-263-080	CAP,ELECT 100-10V	A.....
C	633	87-010-263-080	CAP,ELECT 100-10V	A.....
C	631	87-010-992-080	C-CAP,S 0.047-25 B	A.....
C	636	87-010-992-080	C-CAP,S 0.047-25 B	A.....
C	641	87-010-196-080	CHIP CAPACITOR,0.1-25	A.....
C	640	87-010-314-080	C-CAP,S 22P-50V	A.....
C	669	87-010-322-080	C-CAP,S 100P-50 CH	A.....
C	677	87-010-196-080	CHIP CAPACITOR,0.1-25	A.....
C	678	87-010-196-080	CHIP CAPACITOR,0.1-25	A.....
C	672	87-010-322-080	C-CAP,S 100P-50 CH	A.....
C	670	87-010-322-080	C-CAP,S 100P-50 CH	A.....
C	671	87-010-322-080	C-CAP,S 100P-50 CH	A.....
C	680	87-010-196-080	CHIP CAPACITOR,0.1-25	A.....
CN	604	87-099-570-010	CONN,13P TUC-P13P-B1	A.....
CN	601	87-099-719-010	CONN,30P TYK-B(X)	A.....
CN	602	87-A60-131-010	CONN,6P V FE	A.....
CN	605	87-A60-189-010	CONN,16P V TUC-P16P-B1	A.....
D	601	87-A40-002-080	ZENER,MTZJ5.1C	A.....
D	603	87-A40-234-080	ZENER,MTZJ5.6A	A.....
D	602	87-A40-438-080	ZENER,MTZJ4.7A	A.....
IC	601	87-A21-202-040	C-IC,M62445AFP	A.....
U	601	87-A60-402-010	JACK,PIN 6P R/W HSP-246V30	A.....
O	601	87-026-609-080	TR,KTA1266GR	A.....
O	603	87-A30-087-080	C-FET,2SK2158	A.....
O	604	87-A30-142-040	C-TR,DTA123EKA	A.....
O	602	87-A30-269-040	C-FET,2SJ461-T1	A.....
C	735	87-010-178-080	CHIP CAP 1000P	A.....
C	736	87-010-196-080	CHIP CAPACITOR,0.1-25	A.....
C	733	87-010-196-080	CHIP CAPACITOR,0.1-25	A.....
C	732	87-010-196-080	CHIP CAPACITOR,0.1-25	A.....
C	738	87-010-318-080	C-CAP,S 47P-50 CH	A.....
C	731	87-010-560-080	CAP,E 10-50 GAS	A.....
C	734	87-012-156-080	C-CAP,S 220P-50 CH	A.....
C	741	87-010-178-080	CHIP CAP 1000P	A.....
O	732	87-A30-075-080	C-TR,2SA1235F	A.....
O	731	87-A30-076-080	C-TR,2SC3052F	A.....
O	885	87-010-182-080	C-CAP,S 2200P-50 B	A.....
C	886	87-010-182-080	C-CAP,S 2200P-50 B	A.....
C	887	87-010-401-080	CAP,ELECT 1-50V	A.....
C	888	87-010-401-080	CAP,ELECT 1-50V	A.....
C	893	87-010-196-080	CHIP CAPACITOR,0.1-25	A.....
C	894	87-010-196-080	CHIP CAPACITOR,0.1-25	A.....
C	892	87-010-993-080	C-CAP,S 0.056-25 B	A.....
C	891	87-010-993-080	C-CAP,S 0.056-25 B	A.....
CN	802	87-A60-688-010	CONN,4P H GRY TUC-P04X-C1	A.....
CN	892	87-049-919-010	CONN,3P EH V WHT	A.....
CN	891	87-099-043-010	CONN 2P EH	A.....
L	892	87-003-383-010	COIL,1UH-S	A.....
L	891	87-003-383-010	COIL,1UH-S	A.....
O	871	87-A30-086-070	C-TR,CSD1306E	A.....
O	872	87-A30-086-070	C-TR,CSD1306E	A.....
C	209	87-010-322-080	C-CAP,S 100P-50 CH	A.....
C	204	87-010-405-080	CAP,ELECT 10-50V	A.....
C	203	87-010-405-080	CAP,ELECT 10-50V	A.....

ELECTRICAL PARTS LIST-9/10

C	204	87-010-408-080	CAP, ELECT 47-50V	A.....
C	208	87-010-408-080	CAP, ELECT 47-50V	A.....
C	203	87-010-408-080	CAP, ELECT 47-50V	A.....
C	207	87-010-408-080	CAP, ELECT 47-50V	A.....
C	212	87-010-260-080	CAP, ELECT 47-25V	A.....
C	211	87-010-260-080	CAP, ELECT 47-25V	A.....
C	210	87-010-322-080	C-CAP,S 100P-50 CH	A.....
C	219	87-012-368-080	C-CAP,S 0.1-50 F	A.....
C	214	87-A10-812-080	C-CAP,S 220P-200 J CH	A.....
C	213	87-A10-812-080	C-CAP,S 220P-200 J CH	A.....
C	222	87-010-178-080	CHIP CAP 1000P	A.....
C	221	87-010-178-080	CHIP CAP 1000P	A.....
C	220	87-012-368-080	C-CAP,S 0.1-50 F	A.....
C	299	87-010-197-080	CAP, CHIP 0.01 DM	A.....
C	306	87-010-182-080	C-CAP,S 2200P-50 B	A.....
C	305	87-010-184-080	CHIP CAPACITOR 3300P(K)	A.....
C	306	87-010-185-080	C-CAP,S 3900P-50 B	A.....
C	309	87-010-322-080	C-CAP,S 100P-50 CH	A.....
C	304	87-010-403-080	CAP, ELECT 3.3-50V	A.....
C	307	87-010-403-080	CAP, ELECT 3.3-50V	A.....
C	308	87-010-403-080	CAP, ELECT 3.3-50V	A.....
C	303	87-010-404-080	CAP, ELECT 4.7-50V	A.....
C	314	87-010-260-080	CAP, ELECT 47-25V	A.....
C	313	87-010-260-080	CAP, ELECT 47-25V	A.....
C	310	87-010-322-080	C-CAP,S 100P-50 CH	A.....
C	319	87-012-368-080	C-CAP,S 0.1-50 F	A.....
C	312	87-A10-946-080	C-CAP,S 220P-100 J CH	A.....
C	311	87-A10-946-080	C-CAP,S 220P-100 J CH	A.....
C	322	87-010-186-080	CAP,CHIP 4700P	A.....
C	321	87-010-186-080	CAP,CHIP 4700P	A.....
C	320	87-012-368-080	C-CAP,S 0.1-50 F	A.....
C	405	87-010-182-080	C-CAP,S 2200P-50 B	A.....
C	405	87-010-185-080	C-CAP,S 3900P-50 B	A.....
C	409	87-010-322-080	C-CAP,S 100P-50 CH	A.....
C	403	87-010-403-080	CAP, ELECT 3.3-50V	A.....
C	407	87-010-403-080	CAP, ELECT 3.3-50V	A.....
C	413	87-010-260-080	CAP, ELECT 47-25V	A.....
C	419	87-012-368-080	C-CAP,S 0.1-50 F	A.....
C	411	87-A10-946-080	C-CAP,S 220P-100 J CH	A.....
C	421	87-010-186-080	CAP,CHIP 4700P	A.....
C	502	87-012-368-080	C-CAP,S 0.1-50 F	A.....
C	503	87-016-299-080	CAP,E 10-100 SME	A.....
C	501	87-016-299-080	CAP,E 10-100 SME	A.....
CN	101	87-A60-727-010	CONN,13P JL-R	A.....
CN	102	87-A60-727-010	CONN,13P JL-R	A.....
D	205	87-020-465-080	DIODE,1SS133 (110MA)	A.....
D	202	87-020-465-080	DIODE,1SS133 (110MA)	A.....
D	206	87-020-465-080	DIODE,1SS133 (110MA)	A.....
D	201	87-020-465-080	DIODE,1SS133 (110MA)	A.....
D	209	87-020-465-080	DIODE,1SS133 (110MA)	A.....
D	207	87-A40-488-080	DIODE,1SS244	A.....
D	208	87-A40-488-080	DIODE,1SS244	A.....
D	212	87-020-331-080	CHIP-DIODE,DAN202K	A.....
D	210	87-020-465-080	DIODE,1SS133 (110MA)	A.....
D	295	87-020-465-080	DIODE,1SS133 (110MA)	A.....
D	293	87-020-465-080	DIODE,1SS133 (110MA)	A.....
D	296	87-020-465-080	DIODE,1SS133 (110MA)	A.....
D	299	87-020-465-080	DIODE,1SS133 (110MA)	A.....
D	298	87-020-465-080	DIODE,1SS133 (110MA)	A.....
D	297	87-020-465-080	DIODE,1SS133 (110MA)	A.....
D	301	87-020-465-080	DIODE,1SS133 (110MA)	A.....
D	309	87-020-465-080	DIODE,1SS133 (110MA)	A.....
D	302	87-020-465-080	DIODE,1SS133 (110MA)	A.....
D	305	87-020-465-080	DIODE,1SS133 (110MA)	A.....
D	306	87-020-465-080	DIODE,1SS133 (110MA)	A.....
D	312	87-020-331-080	CHIP-DIODE,DAN202K	A.....
D	310	87-A40-488-080	DIODE,1SS244	A.....
D	401	87-020-465-080	DIODE,1SS133 (110MA)	A.....
D	405	87-020-465-080	DIODE,1SS133 (110MA)	A.....
D	409	87-A40-488-080	DIODE,1SS244	A.....
D	411	87-A40-488-080	DIODE,1SS244	A.....
D	501	87-070-136-080	ZENER,MTZJ5.1B	A.....
D	502	87-070-136-080	ZENER,MTZJ5.1B	A.....
D	506	87-A40-183-090	DIODE,RK36(F)	A.....
D	505	87-A40-183-090	DIODE,RK36(F)	A.....
D	503	87-A40-345-080	ZENER,MTZJ10C	A.....
D	509	87-A40-345-080	ZENER,MTZJ10C	A.....
D	511	87-020-465-080	DIODE,1SS133 (110MA)	A.....
D	513	87-020-465-080	DIODE,1SS133 (110MA)	A.....
D	512	87-020-465-080	DIODE,1SS133 (110MA)	A.....
D	510	87-020-465-080	DIODE,1SS133 (110MA)	A.....
D	514	87-020-465-080	DIODE,1SS133 (110MA)	A.....
Q	102	89-213-702-010	TR,2SB1370 (1.8W)	A.....
Q	101	89-213-702-010	TR,2SB1370 (1.8W)	A.....
Q	205	87-A30-076-080	C-TR,2SC3052F	A.....
Q	204	87-A30-076-080	C-TR,2SC3052F	A.....
Q	206	87-A30-076-080	C-TR,2SC3052F	A.....
Q	203	87-A30-076-080	C-TR,2SC3052F	A.....
Q	201	87-A30-107-070	C-TR,CMBT5401	A.....
Q	207	87-A30-107-070	C-TR,CMBT5401	A.....
Q	208	87-A30-107-070	C-TR,CMBT5401	A.....
Q	202	87-A30-107-070	C-TR,CMBT5401	A.....

ELECTRICAL PARTS LIST-10/10

Q	209	87-A30-190-080	TR,CC5551	A.....
Q	219	87-A30-097-010	TR, FN 1016
Q	213	87-A30-098-010	TR, FP 1016
Q	214	87-A30-098-010	TR, FP 1016
Q	219	87-A30-137-010	TR,2SD2494	A.....
Q	213	87-A30-138-010	TR,2SB1625	A.....
Q	214	87-A30-138-010	TR,2SB1625	A.....
Q	210	87-A30-190-080	TR,CC5551	A.....
Q	226	87-A30-076-080	C-TR,2SC3052F	A.....
Q	224	87-A30-076-080	C-TR,2SC3052F	A.....
Q	223	87-A30-076-080	C-TR,2SC3052F	A.....
Q	225	87-A30-076-080	C-TR,2SC3052F	A.....
Q	220	87-A30-097-010	TR, FN 1016
Q	222	87-A30-106-070	C-TR,CMBT5551	A.....
Q	221	87-A30-106-070	C-TR,CMBT5551	A.....
Q	220	87-A30-137-010	TR,2SD2494	A.....
Q	298	87-A30-107-070	C-TR,CMBT5401	A.....
Q	308	87-A30-075-080	C-TR,2SA1235F	A.....
Q	307	87-A30-075-080	C-TR,2SA1235F	A.....
Q	302	87-A30-075-080	C-TR,2SA1235F	A.....
Q	301	87-A30-075-080	C-TR,2SA1235F	A.....
Q	304	87-A30-076-080	C-TR,2SC3052F	A.....
Q	303	87-A30-076-080	C-TR,2SC3052F	A.....
Q	305	87-A30-076-080	C-TR,2SC3052F	A.....
Q	306	87-A30-076-080	C-TR,2SC3052F	A.....
Q	317	87-A30-119-040	C-TR,2SC3906K R	A.....
Q	318	87-A30-119-040	C-TR,2SC3906K R	A.....
Q	312	87-A30-190-080	TR,CC5551	A.....
Q	311	87-A30-190-080	TR,CC5551	A.....
Q	313	87-A30-214-010	TR,2SB1344
Q	314	87-A30-214-010	TR,2SB1344
Q	315	87-A30-215-010	TR,2SD2025	A.....
Q	316	87-A30-215-010	TR,2SD2025
Q	314	87-A30-255-010	TR,2SB1342	A.....
Q	316	87-A30-256-010	TR,2SD1933	A.....
Q	326	87-A30-076-080	C-TR,2SC3052F	A.....
Q	324	87-A30-076-080	C-TR,2SC3052F	A.....
Q	323	87-A30-076-080	C-TR,2SC3052F	A.....
Q	325	87-A30-076-080	C-TR,2SC3052F	A.....
Q	407	87-A30-075-080	C-TR,2SA1235F	A.....
Q	401	87-A30-075-080	C-TR,2SA1235F	A.....
Q	403	87-A30-076-080	C-TR,2SC3052F	A.....
Q	405	87-A30-076-080	C-TR,2SC3052F	A.....
Q	417	87-A30-119-040	C-TR,2SC3906K R	A.....
Q	411	87-A30-190-080	TR,CC5551	A.....
Q	413	87-A30-214-010	TR,2SB1344
Q	415	87-A30-215-010	TR,2SD2025
Q	413	87-A30-255-010	TR,2SB1342	A.....
Q	415	87-A30-256-010	TR,2SD1933	A.....
Q	425	87-A30-076-080	C-TR,2SC3052F	A.....
Q	423	87-A30-076-080	C-TR,2SC3052F	A.....
Q	503	87-A30-072-080	C-TR,RT1P 144C	A.....
Q	506	87-A30-074-080	C-TR,RT1P 141C	A.....
Q	505	87-A30-075-080	C-TR,2SA1235F	A.....
Q	504	87-A30-076-080	C-TR,2SC3052F	A.....
Q	507	87-A30-107-070	C-TR,CMBT5401	A.....
Q	502	87-A30-162-010	FET,2SK2937	A.....
Q	501	87-A30-162-010	FET,2SK2937	A.....
Q	601	87-A30-074-080	C-TR,RT1P 141C	A.....
Q	602	87-A30-107-070	C-TR,CMBT5401	A.....
R	225	87-A00-262-080	RES,M/F 0.15-2W J	A.....
R	226	87-A00-262-080	RES,M/F 0.15-2W J	A.....
R	227	87-A00-262-080	RES,M/F 0.15-2W J	A.....
R	228	87-A00-262-080	RES,M/F 0.15-2W J	A.....
R	239	87-A00-262-080	RES,M/F 0.15-2W J	A.....
R	242	87-A00-262-080	RES,M/F 0.15-2W J	A.....
R	326	87-A00-258-080	RES,M/F 0.22-1W J	A.....
R	325	87-A00-258-080	RES,M/F 0.22-1W J	A.....
R	328	87-A00-258-080	RES,M/F 0.22-1W J	A.....
R	327	87-A00-258-080	RES,M/F 0.22-1W J	A.....
R	339	87-A00-258-080	RES,M/F 0.22-1W J	A.....
R	340	87-A00-258-080	RES,M/F 0.22-1W J	A.....
R	427	87-A00-258-080	RES,M/F 0.22-1W J	A.....
R	429	87-A00-258-080	RES,M/F 0.22-1W J	A.....
R	441	87-A00-258-080	RES,M/F 0.22-1W J	A.....
TH	202	87-A91-042-080	C-THMS,100K 55001	A.....
TH	201	87-A91-042-080	C-THMS,100K 55001	A.....
TH	301	87-A91-042-080	C-THMS,100K 55001	A.....
TH	302	87-A91-042-080	C-THMS,100K 55001	A.....
TH	401	87-A91-042-080	C-THMS,100K 55001	A.....

ELECTRICAL MAIN PARTS LIST - 1/3 (TUNER: ZZA-1)

NOTE: The characters in the suffix column indicate the part usage.

URTM	REF.NO	PARTS NO.	NO.	DESCRIPTION	SUFFIX
			XX		C
			KANRI		
C	701	87-010-381-080	0E	CAP, ELECT 330-16V	ABC
C	702	87-010-404-080	0E	CAP, ELECT 4.7-50V	ABC
C	704	87-012-286-080	0E	CAP, U 0.01-25	ABC
C	703	87-012-286-080	0E	CAP, U 0.01-25	ABC
C	711	87-010-260-080	0E	CAP, ELECT 47-25V	ABC
C	711	87-010-553-080	0E	CAP, E 47-16	
C	712	87-010-831-080	0E	C-CAP, U, 0.1-16F	ABC
C	718	87-012-179-080	0E	C-CAP, U 20P-50 CH	.BC
C	714	87-012-286-080	0E	CAP, U 0.01-25	ABC
C	717	87-012-286-080	0E	CAP, U 0.01-25	ABC
C	719	87-012-286-080	0E	CAP, U 0.01-25	ABC
C	727	87-010-196-080	0E	CHIP CAPACITOR, 0.1-25	ABC
C	728	87-010-248-080	0E	CAP, ELECT 220-10V	ABC
C	721	87-012-176-080	0E	CAP 15P	ABC
C	722	87-012-176-080	0E	CAP 15P	ABC
C	720	87-012-195-080	0E	C-CAP, U 100P-50CH	ABC
C	729	87-012-274-080	0E	CHIP CAP, U 1000P-50B	ABC
C	725	87-018-131-080	0E	CAP, CER 1000P-50V	
CN	701	87-A60-650-010	1A	CONN, 16P H GRY TUC-P16X-C1	
CN	701	87-A60-700-010	0E	CONN, 13P H GRY TUC-P13X-C1	ABC
D	721	87-017-149-080	0E	ZENER, HZS6A2L	.BC
D	722	87-020-465-080	0E	DIODE, 1SS133 (110MA)	
D	721	87-A40-234-080	0E	ZENER, MTZJ5.6A	A
IC	721	87-070-127-110	1C	IC, LC72131 D	ABC
Q	713	87-A30-072-080	0E	C-TR, RT1P 144C	
Q	712	87-A30-072-080	0E	C-TR, RT1P 144C	
Q	711	87-A30-196-080	0E	TR, 2SC4115SRS	A
Q	711	87-A30-234-080	0E	TR, CSC4115BC	.BC
X	721	87-A70-061-010	1A	VIB, XTAL 4.500MHZ CSA-309	ABC
C	872	87-010-400-080	0E	CAP, ELECT 0.47-50V	AB
C	873	87-010-404-080	0E	CAP, ELECT 4.7-50V	AB
C	877	87-012-278-080	0E	C-CAP, U 2200P-50 B	AB
C	878	87-012-278-080	0E	C-CAP, U 2200P-50 B	AB
C	889	87-010-248-080	0E	CAP, ELECT 220-10V	AB
C	884	87-010-260-080	0E	CAP, ELECT 47-25V	AB
C	883	87-010-404-080	0E	CAP, ELECT 4.7-50V	AB
C	885	87-010-545-080	0E	CAP, ELECT 0.22-50V	A
C	886	87-010-545-080	0E	CAP, ELECT 0.22-50V	A
C	888	87-010-787-080	0E	CAP, U 0.022-25	AB
C	881	87-012-141-080	0E	CHIP-CAPACITOR, 0.22-16F	AB
C	882	87-012-172-080	0E	CAPACITOR CHIP U 10P CH	AB
C	887	87-012-286-080	0E	CAP, U 0.01-25	AB
C	885	87-016-460-080	0E	C-CAP, S 0.22-16 B	.B
C	886	87-016-460-080	0E	C-CAP, S 0.22-16 B	.B
IC	871	87-070-060-040	1F	IC, TA2040AF	AB
X	873	87-026-226-080	0E	CHIP-TR, DTA143EK	AB
X	891	87-030-394-010	1B	VIB, CER CSA3.6MGF228	AB
C	705	87-010-213-080	0E	C-CAP, S 0.015-50 B	
C	706	87-010-213-080	0E	C-CAP, S 0.015-50 B	
C	705	87-A10-592-080	0E	C-CAP, S 0.015-50 J B	.BC
C	706	87-A10-592-080	0E	C-CAP, S 0.015-50 J B	.BC
C	733	87-010-180-080	0E	C-CER 1500P	
C	738	87-010-180-080	0E	C-CER 1500P	
C	737	87-010-180-080	0E	C-CER 1500P	
C	734	87-010-180-080	0E	C-CER 1500P	
C	735	87-010-213-080	0E	C-CAP, S 0.015-50 B	
C	736	87-010-213-080	0E	C-CAP, S 0.015-50 B	
C	736	87-010-987-080	0E	C-CAP, S 1500P-50 CH	.BC
C	733	87-010-987-080	0E	C-CAP, S 1500P-50 CH	.BC
C	735	87-010-987-080	0E	C-CAP, S 1500P-50 CH	.BC
C	734	87-010-987-080	0E	C-CAP, S 1500P-50 CH	.BC
C	734	87-012-280-080	0E	CAP, U 3300P-50	
C	733	87-012-280-080	0E	CAP, U 3300P-50	
C	738	87-A10-592-080	0E	C-CAP, S 0.015-50 J B	.BC
C	737	87-A10-592-080	0E	C-CAP, S 0.015-50 J B	.BC
C	752	87-010-220-080	0E	C-CAP, S 0.018-25 B	.B
C	751	87-010-220-080	0E	C-CAP, S 0.018-25 B	.B
C	758	87-012-167-080	0E	C-CAP, U 5P-50 CH	ABC
C	757	87-012-188-080	0E	C-CAP, U 47P-50 CH	ABC
C	753	87-012-195-080	0E	C-CAP, U 100P-50CH	
C	752	87-012-282-080	0E	CAP, U 4700P-50	
C	756	87-012-286-080	0E	CAP, U 0.01-25	ABC
C	751	87-012-365-080	0E	C-CAP, S 0.027-25VBK	.C
C	752	87-012-365-080	0E	C-CAP, S 0.027-25VBK	.C
C	766	87-010-197-080	0E	CAP, CHIP 0.01 DM	
C	769	87-010-260-080	0E	CAP, ELECT 47-25V	ABC
C	768	87-012-286-080	0E	CAP, U 0.01-25	ABC
C	765	87-012-286-080	0E	CAP, U 0.01-25	ABC
C	764	87-012-337-080	0E	C-CAP, U 56P-50 CH	ABC
C	774	87-010-263-080	0E	CAP, ELECT 100-10V	ABC
C	771	87-010-383-080	0E	CAP, ELECT 33-25V	ABC
C	777	87-010-400-080	0E	CAP, ELECT 0.47-50V	ABC
C	775	87-010-404-080	0E	CAP, ELECT 4.7-50V	ABC
C	777	87-010-493-040	0E	CAP, E 0.47-50 GAS	
C	777	87-010-493-080	0E	CAP, E 0.47-50 GAS	
C	770	87-010-829-080	0E	CAP, U 0.047-16	ABC
C	780	87-010-196-080	0E	CHIP CAPACITOR, 0.1-25	ABC
C	786	87-010-401-080	0E	CAP, ELECT 1-50V	ABC

ELECTRICAL MAIN PARTS LIST - 2/3 (TUNER: ZZA-1)

C	785	87-010-401-080	0E	CAP, ELECT 1-50V	ABC.....
C	786	87-010-405-080	0E	CAP, ELECT 10-50V	ABC.....
C	785	87-010-405-080	0E	CAP, ELECT 10-50V	ABC.....
C	785	87-010-494-080	0E	CAP ELECT GAS 1/50
C	786	87-010-494-080	0E	CAP ELECT GAS 1/50
C	787	87-012-275-080	0E	C-CAP,U 1200P-50 B	ABC.....
C	788	87-012-275-080	0E	C-CAP,U 1200P-50 B	ABC.....
C	784	87-012-286-080	0E	CAP, U 0.01-25	ABC.....
C	796	87-010-403-080	0E	CAP, ELECT 3.3-50V	ABC.....
C	794	87-010-406-080	0E	CAP, ELECT 22-50	ABC.....
C	795	87-010-596-080	0E	CAP, S 0.047-16	..C.....
C	793	87-012-273-080	0E	C-CAP,U 820P-50 B	ABC.....
C	797	87-012-276-080	0E	CAP, CHIP SS 1500 PBK	A.....
C	798	87-012-276-080	0E	CAP, CHIP SS 1500 PBK	A.....
D	771	87-020-465-080	0E	DIODE,1SS133 (110MA)	ABC.....
D	773	87-A40-291-080	0E	DIODE,1N4148 (CPT)
IC	771	87-A20-913-010	1D	IC,LA1837NL	ABC.....
L	771	87-A50-266-010	1A	COIL,FM DET-2N(TOK)	ABC.....
L	772	87-A90-052-010	1C	FLTR,CFMT-450A(TOK)
L	772	87-A90-053-010	1C	FLTR,PCFMT-060(TOK)	AB.....
L	772	87-A90-733-010	1A	FLTR,PCFAZH-450 (TOK)
L	772	87-A91-110-010	FLTR,PCFJZH-450 (TOK)	..C.....	
L	781	87-005-847-080	0E	COIL,2.2UH(CECS)
L	792	87-A50-027-010	1A	COIL,1 POLE MPX(TOK)
L	791	87-A50-027-010	1A	COIL,1 POLE MPX(TOK)
X	771	87-030-354-010	1A	VIB,CF BFU 450C
C	859	87-012-286-080	0E	CAP, U 0.01-25
C	865	87-010-196-080	0E	CHIP CAPACITOR,0.1-25
C	866	87-010-405-080	0E	CAP, ELECT 10-50V
C	864	87-010-405-080	0E	CAP, ELECT 10-50V
C	869	87-012-180-080	0E	C-CAP,U 22P-50 CH
C	868	87-012-184-080	0E	C-CAP,U 33P-50 CH
C	862	87-012-199-080	0E	CAP 220P
C	861	87-012-199-080	0E	CAP 220P
C	863	87-012-270-080	0E	CAP, U 470P-50
C	867	87-012-286-080	0E	CAP, U 0.01-25
IC	851	87-A20-440-040	1H	C-IC,BU1920FS
L	851	87-005-847-080	0E	COIL,2.2UH(CECS)
Q	853	87-A30-076-080	0E	C-TR,2SC3052F
X	851	87-A70-091-010	1B	VIB,XTAL 4.332MHZ CSA-309
C	820	87-010-260-080	0E	CAP, ELECT 47-25V	ABC.....
C	942	87-012-172-080	0E	CAPACITOR CHIP U 10P CH
C	941	87-012-180-080	0E	C-CAP,U 22P-50 CH
C	947	87-012-286-080	0E	CAP, U 0.01-25	ABC.....
C	940	87-012-286-080	0E	CAP, U 0.01-25	ABC.....
C	944	87-014-049-080	0E	CAP,PP 470P-100 J
C	944	87-014-051-080	0E	CAPACITOR (PP), 560P
C	949	87-A10-039-080	0E	C-CAP,U 470P-50 J CH
C	958	87-010-197-080	0E	CAP, CHIP 0.01 DM
C	956	87-010-263-080	0E	CAP, ELECT 100-10V
C	959	87-010-831-080	0E	C-CAP,U,0.1-16F
C	952	87-012-286-080	0E	CAP, U 0.01-25	ABC.....
C	954	87-012-358-080	0E	C-CAP,S 0.47-10 F Z
C	950	87-014-073-080	0E	CAP,PP 4700P-100 J
C	963	87-010-196-080	0E	CHIP CAPACITOR,0.1-25	ABC.....
C	962	87-010-401-080	0E	CAP, ELECT 1-50V
C	964	87-012-170-080	0E	C-CAP,U 8P-50 CH	A.....
C	961	87-012-174-080	0E	CAP CHIP CERA SS 12P CHJ	.BC.....
C	960	87-012-350-080	0E	C-CAP,1-25 F
CF	802	82-785-747-010	1A	CF MS2 GHY R
CF	802	87-008-261-010	1A	FILTER, SFE10.7MA5-A	ABC.....
CF	801	87-008-261-010	1A	FILTER, SFE10.7MA5-A	ABC.....
CF	801	87-008-423-010	1A	CERAMIC FILTER, SFE10.7
D	944	87-020-465-080	0E	DIODE,1SS133 (110MA)
D	942	87-A40-270-080	0E	C-DIODE,MC2838
FFE	801	A8-6ZA-190-030	0E	6ZA-1 FEUNM
FFE	801	A8-6ZA-191-130	6ZA-1 FEENM	
FFE	801	A8-6ZA-192-030	2Y	6ZA-1 FEJNM	.B.....
FFE	801	A8-6ZA-199-170	6ZA-1 FEENC	
FFE	801	A8-6ZA-19A-070	6ZA-1 FEJNC	
FFE	801	A8-6ZA-19D-070	1H	6ZA-1 YFEJNC	A.....
FFE	801	A8-8ZA-190-030	8ZA-1 FEUNM	..C.....	
FFE	801	A8-8ZA-192-070	8ZA-1 FEUNC	
FFE	801	A8-8ZA-193-070	1E	8ZA-1 YFEUNC
J	801	87-033-241-010	1B	TERMINAL,ANT AJ-2039
J	801	87-A60-702-010	1B	TERMINAL,ANT 4P CJ-9036	ABC.....
J	801	87-A60-703-010	1A	TERMINAL,ANT 3P CJ-9037
J	940	81-754-629-010	0E	CONNECTOR, 2P
L	832	87-005-847-080	0E	COIL,2.2UH(CECS)
L	943	87-005-372-080	0E	COIL S 1MHM
L	942	87-A50-019-010	0E	COIL,OSC LW(COI)
L	941	87-A50-020-010	0E	COIL,ANT LW(COI)
L	941	87-A50-022-010	0E	COIL,ANT SW(COI)
L	944	87-A50-159-010	0E	COIL,10MH K C2B
L	942	87-A50-173-010	0E	COIL,OSC SW-N(COI)
L	943	87-A50-432-010	COIL,1MH K CW	
L	981	87-A50-430-010	COIL,ANT MW(3BSW)	
L	982	87-A50-431-010	COIL,OSC MW(3BSW)	
L	981	87-NF4-650-010	1D	COIL,AM PACK 4N(TOK)	A.....
L	981	87-NF4-651-010	1C	COIL,AM PACK2N(TOM)
L	981	88-NF8-625-110	1D	COIL,AM PACK3N(TOK)
L	981	8Z-ZA1-664-010	COIL,AM PACK 4(TOK)	.BC.....	

ELECTRICAL MAIN PARTS LIST - 3/3 (TUNER: ZZA-1)

L	981	8Z-ZA1-665-010	COIL,AM PACK 2(TOK)
Q	712	87-A30-072-080	0E C-TR,RT1P 144C	ABC.....
Q	805	89-327-143-080	0E TR,2SC2714 (0.1W)	ABC.....
Q	943	87-A30-075-080	0E C-TR,2SA1235F
Q	942	87-A30-075-080	0E C-TR,2SA1235F
Q	949	87-A30-076-080	0E C-TR,2SC3052F
Q	945	87-A30-076-080	0E C-TR,2SC3052F
Q	944	87-A30-076-080	0E C-TR,2SC3052F
Q	948	87-A30-086-070	0E C-TR,CSD1306E
Q	947	89-503-602-080	1A C-FET,2SK360E
Q	947	89-505-434-540	0E C-FET,2SK543(4/5)
Q	951	87-A30-074-080	0E C-TR,RT1P 141C
SCR	981	87-A40-618-080	VARI-CAP,SVC 348(S/T)
TC	942	87-011-164-010	0E CAPACITOR,TRIMMER 30P
TC	941	87-011-173-010	1A CERAMIC TRIMMER 20P
TC	941	87-011-220-080	1A TRIMMER CAP 20P VTC
TC	943	87-011-221-080	1A CAP, TRIMMER 30P

MECHANICAL PARTS LIST-1/1

NOTE: The characters in the suffix column indicate the part usage.

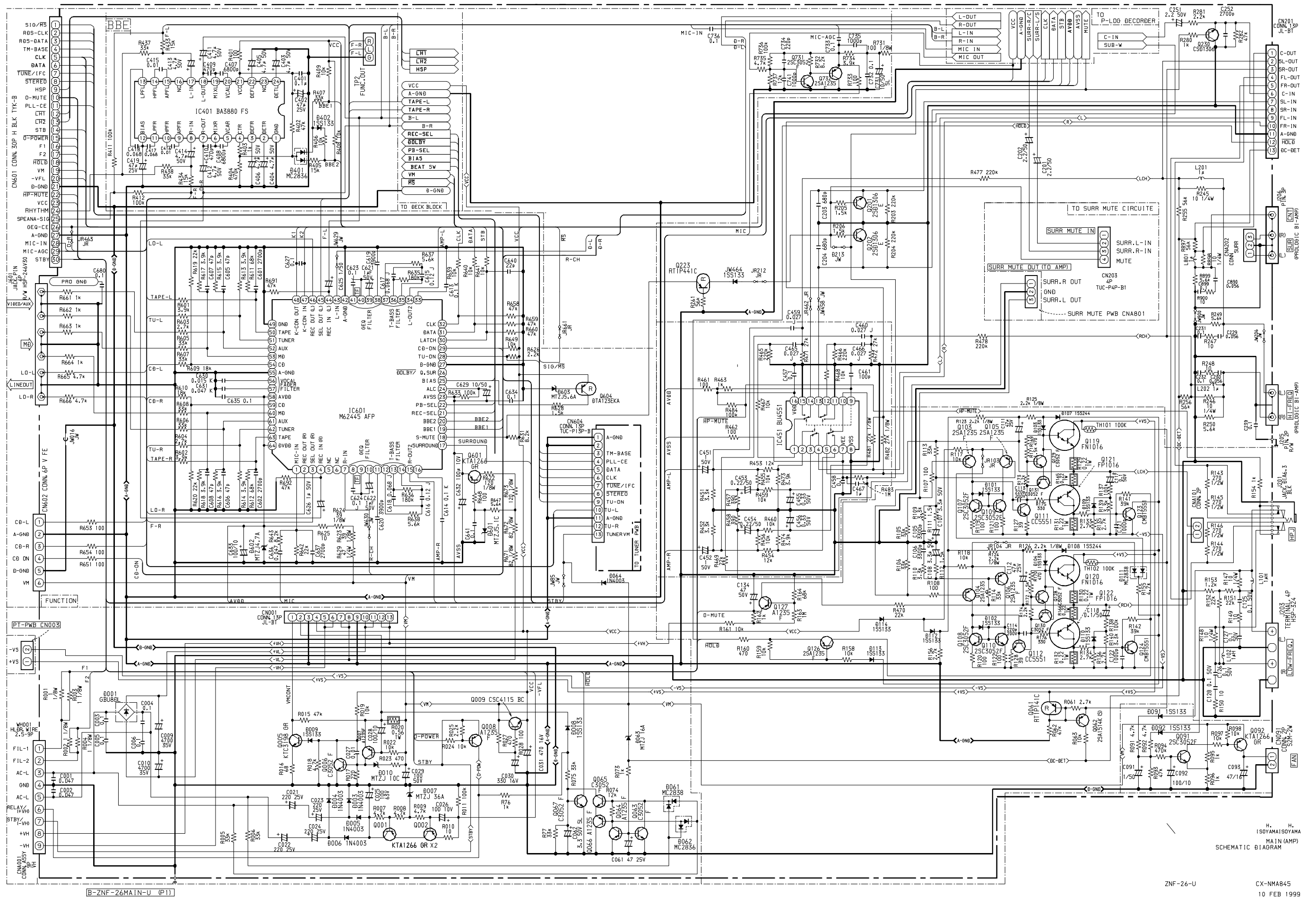
REF.NO	PARTS NO.	DESCRIPTION	SUFFIX
USTM	XX.....	A.....
		KANRI	
		NO.	
8Z-NF5-004-010		CABI,STEEL	A.....
8Z-NF6-003-010		BOX,CASS 1 U	A.....
8Z-NF6-004-010		BOX,CASS 2 U	A.....
8Z-NF6-005-010		PANEL,TRAY U	A.....
8Z-NF6-008-010		PANEL,FUN	A.....
8Z-NF6-010-010		PANEL,JOG	A.....
8Z-NF6-011-010		RING,VOL	A.....
8Z-NF6-012-010		PANEL,CASS 1 U	A.....
8Z-NF6-013-010		PANEL,CASS 2 U	A.....
8Z-NF6-014-010		WINDOW,CASS 1	A.....
8Z-NF6-015-010		WINDOW,CASS 2	A.....
8Z-NF6-016-010		PANEL,CD U	A.....
8Z-NFT-003-010		CABI,FR U	A.....
8Z-NFT-005-010		WINDOW,DISP U	A.....
8Z-NFT-008-010		PANEL,FR U	A.....
8Z-NFT-061-010		CABI,REAR USTNM	A.....
8Z-NFT-063-010		CABI,REAR EZSTE	A.....
8Z-NF6-018-010		KEY,POWER	A.....
8Z-NF6-019-010		KEY,BBE	A.....
8Z-NF6-021-010		KEY,ASSY OPE	A.....
8Z-NF6-034-010		KEY,JOG	A.....
8Z-NF6-035-010		KEY,MIC	A.....
8Z-NF6-036-010		KEY,EDIT	A.....
8Z-NF6-037-010		KEY,CD	A.....
8Z-NF6-038-010		KEY,PAD	A.....
8Z-NF6-044-010		KNOB,RTRY VOL	A.....
8Z-NF6-045-010		KNOB,RTRY JOG	A.....
8Z-NFT-001-010		KEY,PRO	A.....
8Z-NFT-010-010		KEY,ASSY FUN 5.1	A.....
81-532-080-010		LABEL, CASS. COMPT	A.....
86-NF6-061-010		REFLECTOR,CASS	A.....
8Z-NF6-046-010		REFLECTOR,JOG	A.....
8Z-NF6-048-010		REFLECTOR,ECO	A.....
8Z-NF6-049-010		REFLECTOR,CD	A.....
8Z-NFT-002-010		PLATE,PRO	A.....
87-NF6-616-010		CONN ASSY,8P RPB	A.....
84-ZG1-245-210		CAP,OPTICAL	A.....
82-NF5-218-010		SPR-T,EJECT 1 (SIN)	A.....
82-NF5-219-010		SPR-T,EJECT 2 (SIN)	A.....
82-NF5-229-010		PLATE,LOCK	A.....
86-NF9-224-010		SPR-C,LOCK	A.....
87-064-185-010		HLDR,WIRE	A.....
87-NF4-216-010		HLDR,LOCK 1	A.....
87-NF4-217-110		HLDR,LOCK 2	A.....
87-NF4-221-010		HLDR,CABLE	A.....
87-NF8-220-010		DMPR,150	A.....
88-NF5-208-010		HLDR,PWB-M N	A.....
8Z-NF5-214-110		HLDR,HT F	A.....
8Z-NF5-215-110		HLDR,HT R	A.....
8Z-NF5-219-110		HLDR,FAN	A.....
8Z-NF5-221-010		COVER, PWB PT	A.....
8Z-NF6-201-010		GUIDE,CD	A.....
87-067-688-010		BVTT+3-6	A.....
87-067-703-010		TAPPING SCREW, BVT2+3-10	A.....
87-067-758-010		BVT2+3-12 W/O SLOT	A.....
87-078-191-010		S-SCREW,IT+4-10	A.....
87-591-094-410		TAPPING SCREW, QIT+3-6	A.....
87-591-095-410		TAPPING SCREW, QIT+3-8 (GLD)	A.....
87-721-097-410		QT2+3-12 GLD	A.....
87-723-096-410		QT2+3-10W/O SLOT BL	A.....
87-B10-091-010		UTT2+3-10 W/O BLK	A.....
87-NF4-224-010		S-SCREW,IT3B+3-8 CU	A.....
87-010-178-080		CHIP CAP 1000P	A.....
87-085-185-010		BUSHING, AC CORD (E)	A.....
87-085-189-010		BUSHING, CORD (U)	A.....
87-A91-314-010		FAN,3110GL-B4W-B34-H02	A.....
88-906-301-110		FF-CABLE,6P-1.25	A.....
88-906-701-110		FF-CABLE, 6P 1.25 700MM	A.....
88-913-551-110		FF-CABLE, 13P 1.25 550MM	A.....
88-915-171-110		FF-CABLE, 15P 1.25 170MM	A.....
C 808	87-018-209-080	CAP, CER 0.1-50V	A.....
C 817	87-018-134-080	CAPACITOR,TC-U 0.01-16	A.....
PT 101	8Z-NFT-621-010	PT,ZNF-26 U	A.....
PT 101	8Z-NFT-624-010	PT,ZNF-26 EZ	A.....
W 101	87-050-079-010	AC-CORD ASSY,E	A.....
W 101	87-A80-110-010	AC CORD ASSY,U SPT-2W	A.....
	87-067-579-010	TAPPING SCREW, BVT2+3-8	A.....
WH 1	87-A90-510-010	HLDR,WIRE 2.5-9P	A.....

ACCESSORIES / PACKAGE LIST-1/1

NOTE: The characters in the suffix column indicate the part usage.

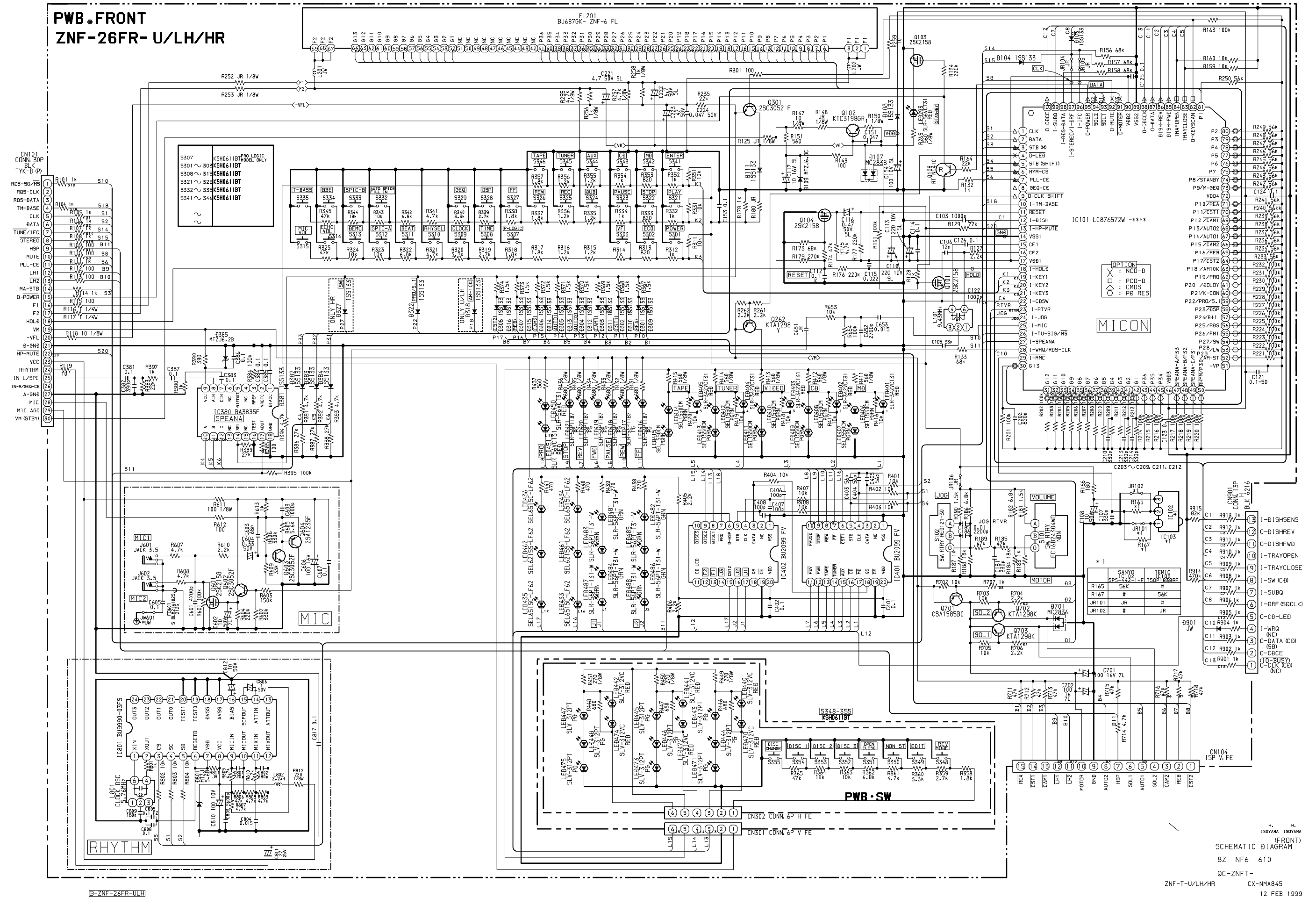
REF.NO	PARTS NO.	NO.	DESCRIPTION	SUFFIX
USTM		XX		A
		KANRI		
	8Z-NFT-903-010		IB,U(ESF)M	A
	8Z-NFT-906-010		IB,EZ(9L)E	.
	87-043-106-010		WIRE, FM ANT (Z)	.
	87-043-115-010		ANT,FEEDER FM	A
	87-A90-030-010		ANT,LOOP AM-NC C	A
	8Z-NFV-703-010		RC UNIT,RC-ZAS05(MISTUMI)	A

SCHEMATIC DIAGRAM - 1 (MAIN)



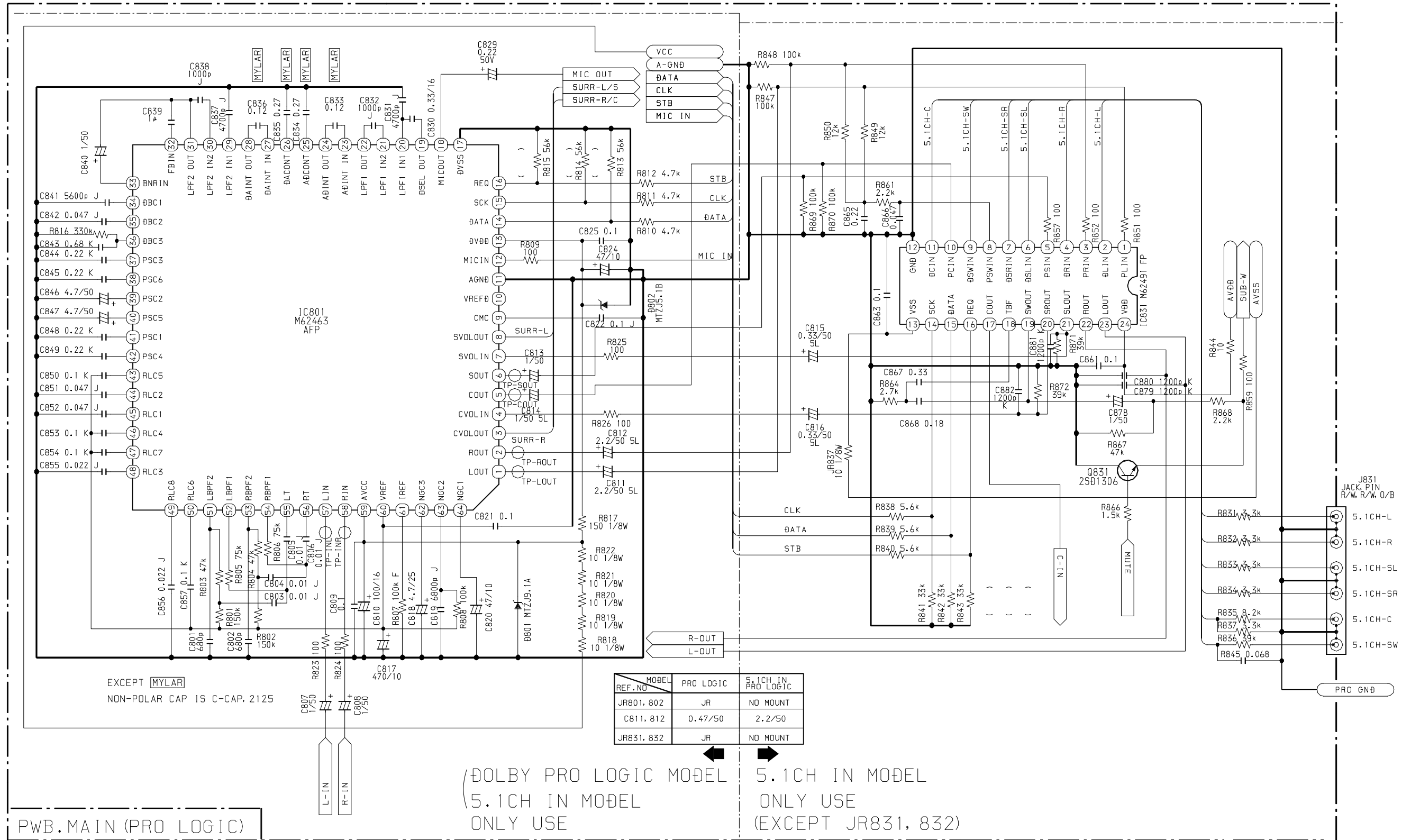
H. H. ISOYAMAI SOYAMA
 MA IN (AMP)
 SCHEMATIC DIAGRAM

SCHEMATIC DIAGRAM - 2 (FRONT)



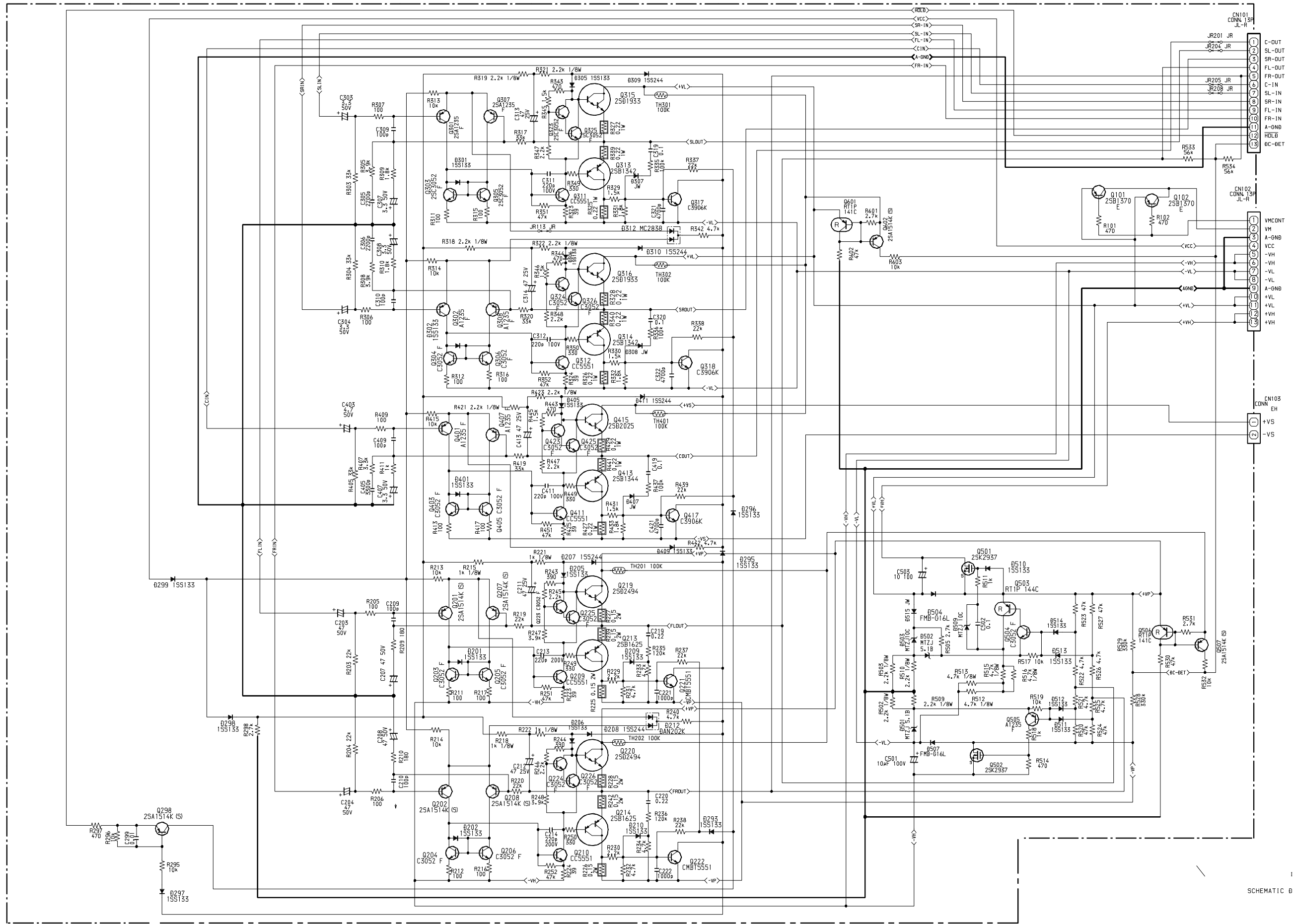
H. ISOYAMA
SCHEMATIC DIAGRAM
8Z NF6 610
QC-ZNFT-
ZNF-U/LH/HR CX-NMA845
12 FEB 1999

SCHEMATIC DIAGRAM - 3 (PRO-LOGIC)

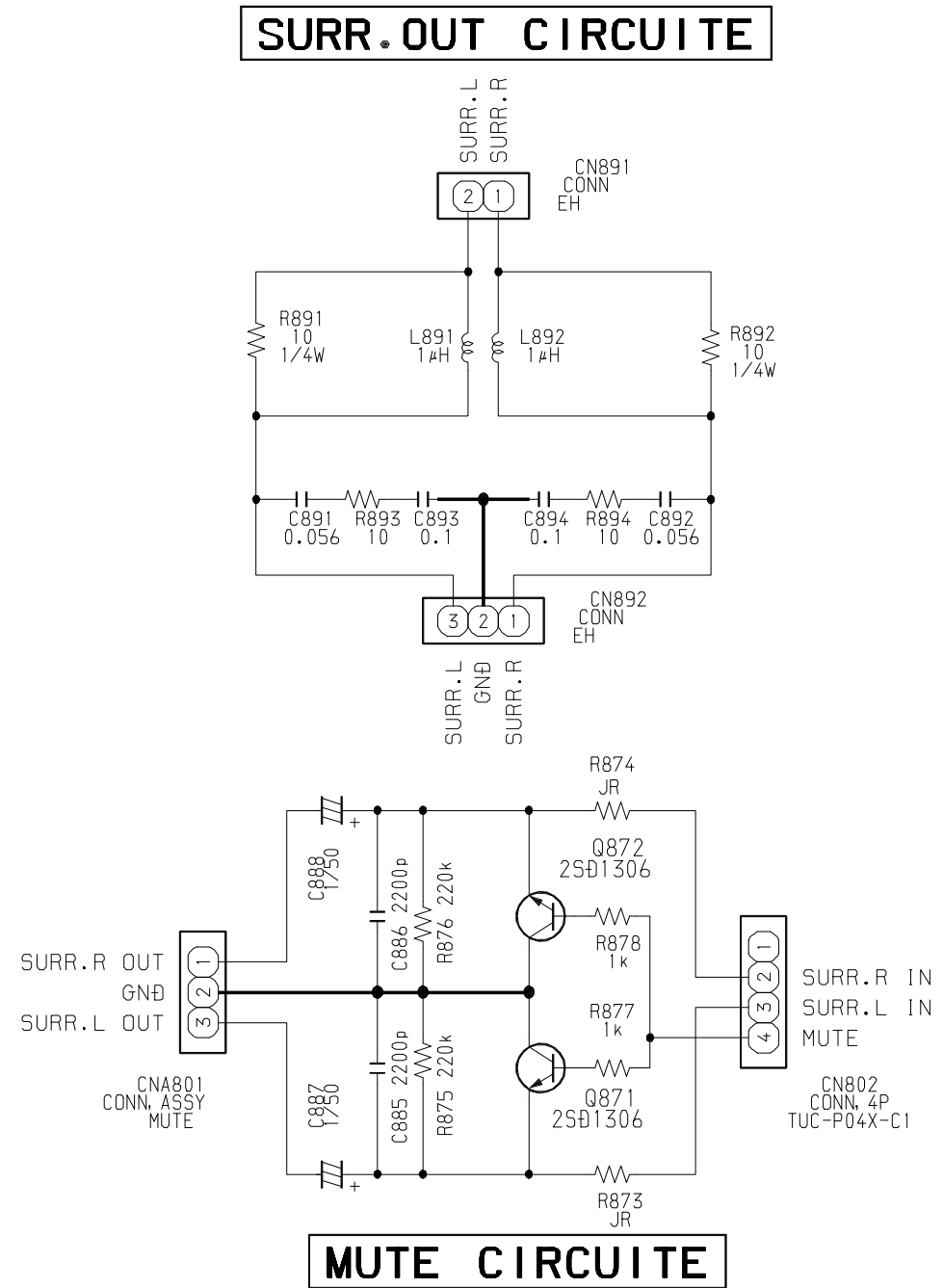


MAIN (PROLOGIC) SCHEMATIC DIAGRAM

SCHEMATIC DIAGRAM - 4 (AMP)



H. H. ISOYAMA ISOYAMA (SCH AMP) SCHEMATIC DIAGRAM



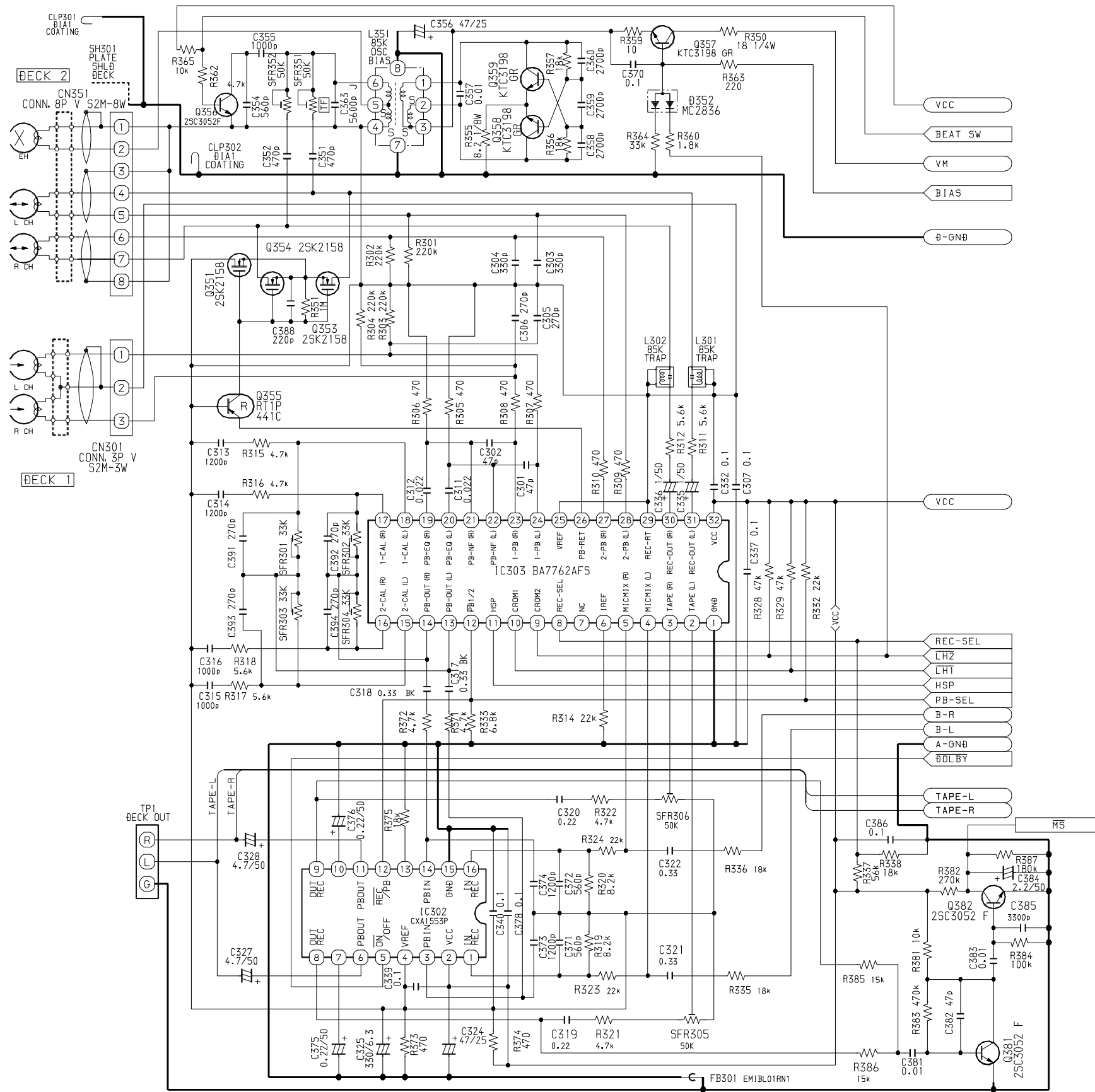
J. HORIE H. ISOYAMA
(MUTE/SURR. OUT)
SCHEMATIC DIAGRAM

ZNF-26-U

B-ZNF-26MAIN-U (P6)

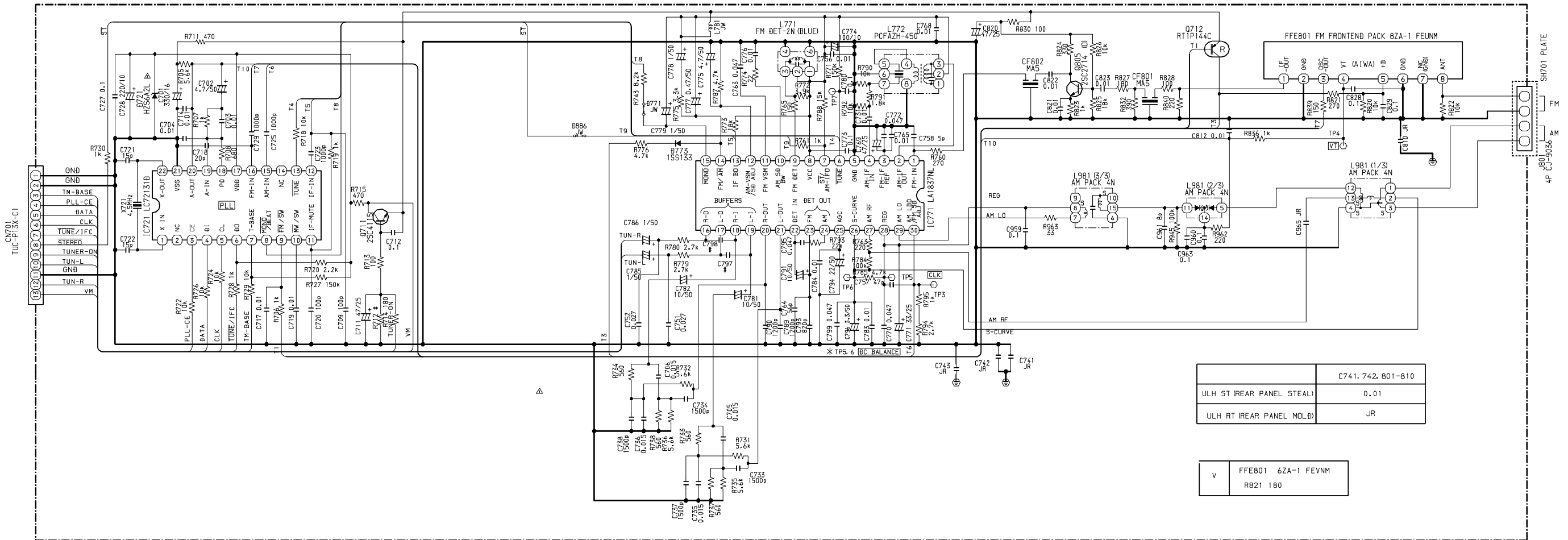
08 FEB 1998

SCHEMATIC DIAGRAM - 6 (DECK)



H. H.
ISOYAMAISOYAMA
MAIN(DECK)
SCHEMATIC DIAGRAM

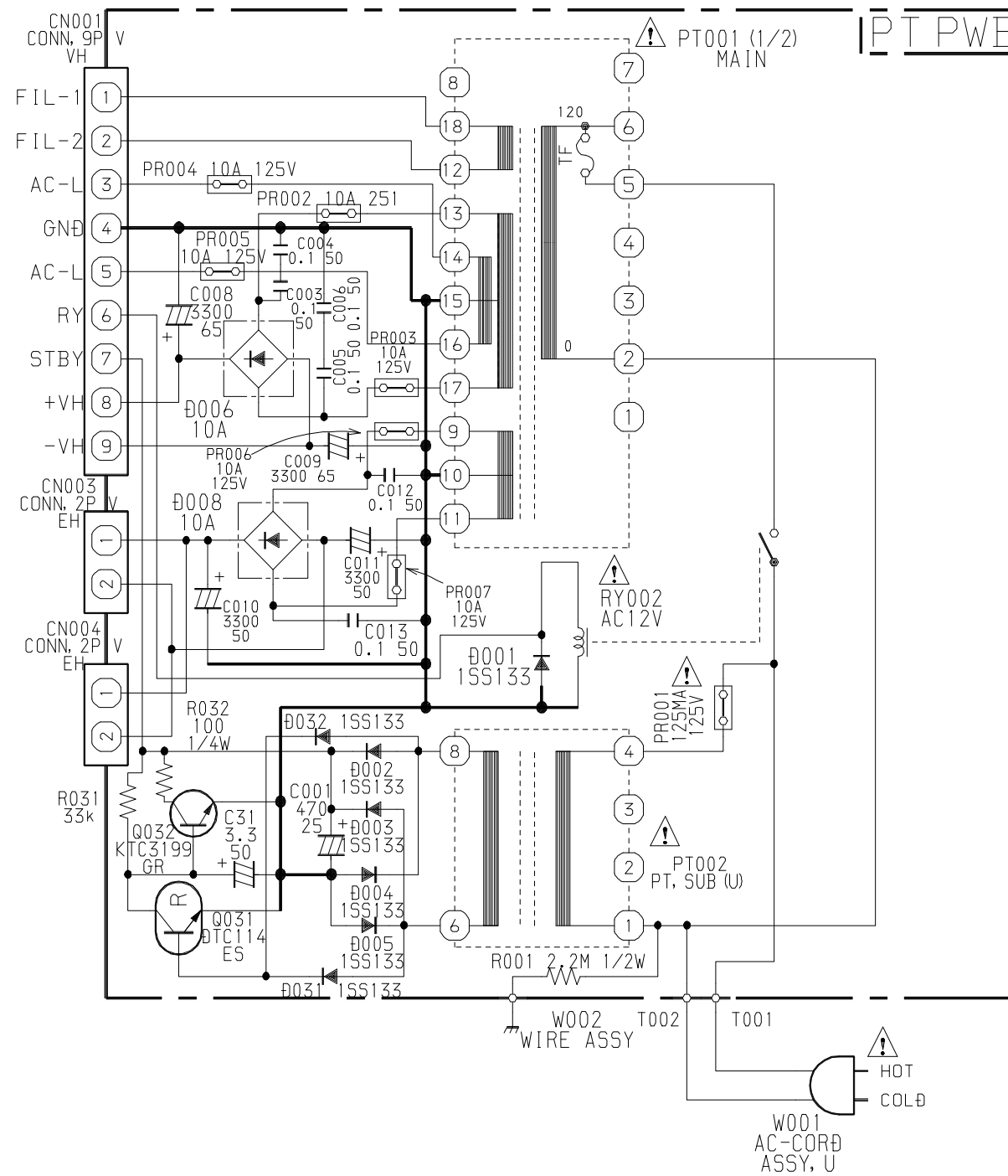
SCHEMATIC DIAGRAM - 7 (TUNER)



B-ZZA-1-ULH

981021 CHANGE 0721 Δ FENORIC 130c 82 2A1 621 11
 MTZJ5.6A -> HZ56A2L
 981001 CANCEL C894 JR Δ QC-822A1-02-1

SCHEMATIC DIAGRAM - 8 (PT)



H. H.
ISOYAMAISOYAMA
(PT)
SCHEMATIC DIAGRAM

ZNF-26-U

CX-NMA845

10 FEB 1999

B-ZNF-26PT-U

サービス技術ニュース	
番号	連絡内容
G- -	
G- -	
G- -	

アイワ株式会社
AIWA CO.,LTD.

9820527

Tokyo Japan

〒110-8710 東京都台東区池之端1-2-11 ☎03(3827)3111 (代表)

Printed in Singapore