

aiwa



NSX-MA945

COMPACT DISC STEREO SYSTEM

- BASIC TAPE MECHANISM: 2ZM-3MK2 PR4NM
- BASIC CD MECHANISM: 4ZG-1 Z3RNDSHM

- TYPE: U

SIMPLE MANUAL

- Replace this Service Manual with "Revision Publishing" when it is issued.

S/M Code No. 09-994-408-8T1

MANUAL
SERVICE

ELECTRICAL PARTS LIST-1/10

NOTE: The characters in the suffix column indicate the part usage.

| REF.NO | PARTS NO. | DESCRIPTION | SUFFIX | |
|--------|-----------|----------------|--------------------------|---|
| C | 606 | 87-010-112-040 | CAP,E 100-16 | A |
| C | 601 | 87-010-186-080 | CAP,CHIP 4700P | A |
| C | 607 | 87-010-196-080 | CHIP CAPACITOR,0.1-25 | A |
| C | 605 | 87-010-196-080 | CHIP CAPACITOR,0.1-25 | A |
| C | 603 | 87-010-320-080 | CHIP CAP 68P | A |
| C | 602 | 87-010-405-040 | CAP,E 10-50 | A |
| C | 604 | 87-010-546-040 | CAP,E 0.33-50 | A |
| C | 652 | 87-010-183-080 | C-CAP,S 2700P-50 B | A |
| C | 653 | 87-010-213-080 | C-CAP,S 0.015-50 B | A |
| FB | 601 | 87-A50-190-080 | C-COIL,S BLM21A102S | A |
| J | 601 | 87-A60-651-010 | JACK,3.5MONO | A |
| J | 602 | 87-A60-651-010 | JACK,3.5MONO | A |
| Q | 604 | 87-A30-075-080 | C-TR,2SA1235F | A |
| Q | 602 | 87-A30-076-080 | C-TR,2SC3052F | A |
| Q | 603 | 87-A30-076-080 | C-TR,2SC3052F | A |
| Q | 601 | 87-A30-087-080 | C-FET,2SK2158 | A |
| * | | 8Z-NF5-207-010 | HLDR,PWB PT | A |
| C | 1 | 87-010-387-080 | CAP,E 470-25 SME | A |
| C | 9 | 87-A10-231-090 | CAP,E 3300-80 | A |
| C | 8 | 87-A10-231-090 | CAP,E 3300-80 | A |
| C | 4 | 87-A11-148-080 | CAP,TC U 0.1-50 Z F | A |
| C | 3 | 87-A11-148-080 | CAP,TC U 0.1-50 Z F | A |
| C | 6 | 87-A11-148-080 | CAP,TC U 0.1-50 Z F | A |
| C | 5 | 87-A11-148-080 | CAP,TC U 0.1-50 Z F | A |
| C | 11 | 87-010-917-090 | CAP,E 3300-50 M SMG | A |
| C | 10 | 87-010-917-090 | CAP,E 3300-50 M SMG | A |
| C | 13 | 87-A11-148-080 | CAP,TC U 0.1-50 Z F | A |
| C | 12 | 87-A11-148-080 | CAP,TC U 0.1-50 Z F | A |
| C | 31 | 87-010-403-080 | CAP,ELECT 3.3-50V | A |
| C | 32 | 87-A10-479-080 | CAP,CER 2200P-250 M E KH | A |
| CN | 3 | 87-099-043-010 | CONN 2P EH | A |
| CN | 4 | 87-099-043-010 | CONN 2P EH | A |
| CN | 1 | 87-A60-851-010 | CONN,9P V VH | A |
| D | 2 | 87-020-465-080 | DIODE,1SS133 (110MA) | A |
| D | 3 | 87-020-465-080 | DIODE,1SS133 (110MA) | A |
| D | 1 | 87-020-465-080 | DIODE,1SS133 (110MA) | A |
| D | 5 | 87-020-465-080 | DIODE,1SS133 (110MA) | A |
| D | 4 | 87-020-465-080 | DIODE,1SS133 (110MA) | A |
| D | 8 | 87-A40-549-090 | DIODE,RBA-1002 | A |
| D | 6 | 87-A40-549-090 | DIODE,RBA-1002 | A |
| D | 31 | 87-020-465-080 | DIODE,1SS133 (110MA) | A |
| D | 32 | 87-020-465-080 | DIODE,1SS133 (110MA) | A |
| PR | 2 | 87-026-691-080 | FUSE,10A 125V 251 | A |
| PR | 3 | 87-026-691-080 | FUSE,10A 125V 251 | A |
| PR | 1 | 87-A91-276-080 | FUSE,125MA 125V F 251 | A |
| PT | 2 | 8Z-NF8-661-010 | PT,SUB ZNF-8(U) | A |
| Q | 31 | 87-026-245-080 | TR,DTC114ES | A |
| Q | 32 | 87-A30-198-080 | TR,KTC3199GR | A |
| RY | 2 | 87-A90-976-010 | RELAY,AC12V SDT-S-112LMR | A |
| T | 1 | 87-A60-317-010 | TERMINAL, 1P MSC | A |
| T | 2 | 87-A60-317-010 | TERMINAL, 1P MSC | A |
| | | 88-NF5-204-010 | GUIDE,FL | A |
| * | | 8Z-NF5-201-010 | GUIDE,FUN | A |
| * | | 8Z-NF5-202-010 | GUIDE,JOG | A |
| * | | 8Z-NF5-203-010 | GUIDE,CD | A |
| * | | 8Z-NF5-208-010 | GUIDE,OPE | A |
| C | 106 | 87-010-154-080 | CAP CHIP 10P | A |
| C | 105 | 87-010-316-080 | C-CAP,S 33P-50 CH | A |
| C | 103 | 87-010-322-080 | C-CAP,S 100P-50 CH | A |
| C | 108 | 87-010-560-040 | CAP,E 10-50 GAS | A |
| C | 107 | 87-012-157-080 | C-CAP,S 330P-50 CH | A |
| C | 114 | 87-010-196-080 | CHIP CAPACITOR,0.1-25 | A |
| C | 115 | 87-010-198-080 | CAP,CHIP 0.022 | A |
| C | 116 | 87-010-493-040 | CAP,E 0.47-50 GAS | A |
| C | 117 | 87-010-498-040 | CAP,E 10-16 GAS | A |
| C | 112 | 87-016-081-080 | C-CAP,S 0.1-16 RK | A |
| C | 113 | 87-A11-242-040 | CAP,E 220-10 M 5L SRM | A |
| C | 118 | 87-A11-242-040 | CAP,E 220-10 M 5L SRM | A |
| C | 122 | 87-010-178-080 | CHIP CAP 1000P | A |
| C | 126 | 87-010-196-080 | CHIP CAPACITOR,0.1-25 | A |
| C | 123 | 87-010-196-080 | CHIP CAPACITOR,0.1-25 | A |
| C | 124 | 87-010-196-080 | CHIP CAPACITOR,0.1-25 | A |
| C | 125 | 87-010-196-080 | CHIP CAPACITOR,0.1-25 | A |
| C | 121 | 87-012-368-080 | C-CAP,S 0.1-50 F | A |
| C | 153 | 87-010-196-080 | CHIP CAPACITOR,0.1-25 | A |
| C | 154 | 87-010-264-040 | CAP,E 100-10 5L | A |
| C | 151 | 87-012-369-080 | C-CAP,S 0.047-50F | A |
| C | 186 | 87-010-182-080 | C-CAP,S 2200P-50 B | A |
| C | 185 | 87-010-197-080 | CAP,CHIP 0.01 DM | A |
| C | 181 | 87-012-157-080 | C-CAP,S 330P-50 CH | A |
| C | 202 | 87-010-177-080 | C-CAP,S 820P-50 SL | A |
| C | 223 | 87-010-408-040 | CAP,E 47-50 SME | A |
| C | 222 | 87-010-421-040 | CAP,E 4.7-50 5L | A |
| C | 221 | 87-010-421-040 | CAP,E 4.7-50 5L | A |
| C | 224 | 87-012-369-080 | C-CAP,S 0.047-50F | A |
| C | 386 | 87-010-196-080 | CHIP CAPACITOR,0.1-25 | A |

ELECTRICAL PARTS LIST-2/10

| | | | | |
|-----|-----|----------------|------------------------|--------|
| C | 381 | 87-010-196-080 | CHIP CAPACITOR,0.1-25 | A..... |
| C | 385 | 87-010-196-080 | CHIP CAPACITOR,0.1-25 | A..... |
| C | 384 | 87-010-196-080 | CHIP CAPACITOR,0.1-25 | A..... |
| C | 383 | 87-010-196-080 | CHIP CAPACITOR,0.1-25 | A..... |
| C | 387 | 87-010-196-080 | CHIP CAPACITOR,0.1-25 | A..... |
| C | 382 | 87-012-158-080 | C-CAP,S 390P-50 CH | A..... |
| C | 401 | 87-010-196-080 | CHIP CAPACITOR,0.1-25 | A..... |
| C | 402 | 87-010-196-080 | CHIP CAPACITOR,0.1-25 | A..... |
| C | 405 | 87-010-319-080 | C-CAP,S 56P-50 CH | A..... |
| C | 403 | 87-010-319-080 | C-CAP,S 56P-50 CH | A..... |
| C | 404 | 87-010-319-080 | C-CAP,S 56P-50 CH | A..... |
| C | 406 | 87-010-322-080 | C-CAP,S 100P-50 CH | A..... |
| C | 408 | 87-010-322-080 | C-CAP,S 100P-50 CH | A..... |
| C | 407 | 87-010-322-080 | C-CAP,S 100P-50 CH | A..... |
| CN | 101 | 87-099-720-010 | CONN,30P TYK-B(P) | A..... |
| CN | 104 | 87-A60-140-010 | CONN,15P V FE | A..... |
| CN | 301 | 87-A60-131-010 | CONN,6P V FE | A..... |
| CN | 302 | 87-A60-131-010 | CONN,6P V FE | A..... |
| CN | 901 | 87-A60-138-010 | CONN,13P V FE | A..... |
| D | 103 | 87-020-465-080 | DIODE,1SS133 (110MA) | A..... |
| D | 108 | 87-020-465-080 | DIODE,1SS133 (110MA) | A..... |
| D | 104 | 87-020-465-080 | DIODE,1SS133 (110MA) | A..... |
| D | 107 | 87-A40-270-080 | C-DIODE,MC2838 | A..... |
| D | 109 | 87-A40-509-080 | ZENER,MTZJ6.8C | A..... |
| D | 111 | 87-020-465-080 | DIODE,1SS133 (110MA) | A..... |
| D | 266 | 87-020-465-080 | DIODE,1SS133 (110MA) | A..... |
| D | 304 | 87-020-465-080 | DIODE,1SS133 (110MA) | A..... |
| D | 301 | 87-020-465-080 | DIODE,1SS133 (110MA) | A..... |
| D | 308 | 87-020-465-080 | DIODE,1SS133 (110MA) | A..... |
| D | 306 | 87-020-465-080 | DIODE,1SS133 (110MA) | A..... |
| D | 307 | 87-020-465-080 | DIODE,1SS133 (110MA) | A..... |
| D | 302 | 87-020-465-080 | DIODE,1SS133 (110MA) | A..... |
| D | 309 | 87-020-465-080 | DIODE,1SS133 (110MA) | A..... |
| D | 305 | 87-020-465-080 | DIODE,1SS133 (110MA) | A..... |
| D | 303 | 87-020-465-080 | DIODE,1SS133 (110MA) | A..... |
| D | 312 | 87-020-465-080 | DIODE,1SS133 (110MA) | A..... |
| D | 317 | 87-020-465-080 | DIODE,1SS133 (110MA) | A..... |
| D | 316 | 87-020-465-080 | DIODE,1SS133 (110MA) | A..... |
| D | 310 | 87-020-465-080 | DIODE,1SS133 (110MA) | A..... |
| D | 314 | 87-020-465-080 | DIODE,1SS133 (110MA) | A..... |
| D | 318 | 87-020-465-080 | DIODE,1SS133 (110MA) | A..... |
| D | 311 | 87-020-465-080 | DIODE,1SS133 (110MA) | A..... |
| D | 315 | 87-020-465-080 | DIODE,1SS133 (110MA) | A..... |
| D | 313 | 87-020-465-080 | DIODE,1SS133 (110MA) | A..... |
| D | 320 | 87-020-465-080 | DIODE,1SS133 (110MA) | A..... |
| D | 322 | 87-020-465-080 | DIODE,1SS133 (110MA) | A..... |
| D | 385 | 87-017-932-080 | ZENER,MTJ6.2B | A..... |
| D | 381 | 87-020-465-080 | DIODE,1SS133 (110MA) | A..... |
| D | 382 | 87-020-465-080 | DIODE,1SS133 (110MA) | A..... |
| D | 383 | 87-020-465-080 | DIODE,1SS133 (110MA) | A..... |
| D | 384 | 87-020-465-080 | DIODE,1SS133 (110MA) | A..... |
| D | 701 | 87-A40-269-080 | C-DIODE,MC2836 | A..... |
| FL | 201 | 8Z-NF5-611-010 | FL,BJ686GK-ZNF5 | A..... |
| IC | 103 | 87-A20-951-010 | IC,TSOP1838RF1 | A..... |
| IC | 101 | 8Z-NF7-605-010 | C-IC,LC876572W-**** | A..... |
| IC | 380 | 87-A21-023-040 | C-IC,BA3835F | A..... |
| IC | 402 | 87-A21-021-040 | C-IC,BU2099FV | A..... |
| IC | 401 | 87-A21-021-040 | C-IC,BU2099FV | A..... |
| L | 101 | 87-A50-333-010 | COIL,OSC 9.43MHZ | A..... |
| LED | 293 | 87-A40-589-040 | LED,SLR-56VCT31 RED | A..... |
| LED | 402 | 87-A40-608-040 | LED,SLV-312VC RED | A..... |
| LED | 403 | 87-A40-608-040 | LED,SLV-312VC RED | A..... |
| LED | 405 | 87-A40-608-040 | LED,SLV-312VC RED | A..... |
| LED | 404 | 87-A40-608-040 | LED,SLV-312VC RED | A..... |
| LED | 401 | 87-A40-608-040 | LED,SLV-312VC RED | A..... |
| LED | 406 | 87-A40-619-040 | LED,SLR-56PT-T31-W GRN | A..... |
| LED | 409 | 87-A40-619-040 | LED,SLR-56PT-T31-W GRN | A..... |
| LED | 408 | 87-A40-619-040 | LED,SLR-56PT-T31-W GRN | A..... |
| LED | 407 | 87-A40-619-040 | LED,SLR-56PT-T31-W GRN | A..... |
| LED | 414 | 87-A40-619-040 | LED,SLR-56PT-T31-W GRN | A..... |
| LED | 415 | 87-A40-619-040 | LED,SLR-56PT-T31-W GRN | A..... |
| LED | 410 | 87-A40-619-040 | LED,SLR-56PT-T31-W GRN | A..... |
| LED | 413 | 87-A40-619-040 | LED,SLR-56PT-T31-W GRN | A..... |
| LED | 412 | 87-A40-619-040 | LED,SLR-56PT-T31-W GRN | A..... |
| LED | 411 | 87-A40-619-040 | LED,SLR-56PT-T31-W GRN | A..... |
| LED | 418 | 87-A40-619-080 | LED,SLR-56PT-TE7-W GRN | A..... |
| LED | 417 | 87-A40-619-080 | LED,SLR-56PT-TE7-W GRN | A..... |
| LED | 419 | 87-A40-619-080 | LED,SLR-56PT-TE7-W GRN | A..... |
| LED | 416 | 87-A40-619-080 | LED,SLR-56PT-TE7-W GRN | A..... |
| LED | 421 | 87-A40-619-080 | LED,SLR-56PT-TE7-W GRN | A..... |
| LED | 420 | 87-A40-619-080 | LED,SLR-56PT-TE7-W GRN | A..... |
| LED | 436 | 87-A40-563-010 | LED,SEL6515C-LF62 PGRN | A..... |
| LED | 435 | 87-A40-563-010 | LED,SEL6515C-LF62 PGRN | A..... |
| LED | 434 | 87-A40-563-010 | LED,SEL6515C-LF62 PGRN | A..... |
| LED | 433 | 87-A40-563-010 | LED,SEL6515C-LF62 PGRN | A..... |
| LED | 442 | 87-A40-608-040 | LED,SLV-312VC RED | A..... |
| LED | 441 | 87-A40-608-040 | LED,SLV-312VC RED | A..... |
| LED | 440 | 87-A40-608-040 | LED,SLV-312VC RED | A..... |
| LED | 444 | 87-A40-609-040 | LED,SLV-312MC PG | A..... |
| LED | 447 | 87-A40-609-040 | LED,SLV-312MC PG | A..... |
| LED | 448 | 87-A40-609-040 | LED,SLV-312MC PG | A..... |
| LED | 445 | 87-A40-609-040 | LED,SLV-312MC PG | A..... |

ELECTRICAL PARTS LIST-3/10

| | | | | |
|-----|-----|----------------|------------------------|--------|
| LED | 443 | 87-A40-609-040 | LED,SLV-312MC PG | A..... |
| LED | 446 | 87-A40-609-040 | LED,SLV-312MC PG | A..... |
| LED | 451 | 87-A40-608-040 | LED,SLV-312VC RED | A..... |
| LED | 450 | 87-A40-608-040 | LED,SLV-312VC RED | A..... |
| LED | 455 | 87-A40-619-040 | LED,SLR-56PT-T31-W GRN | A..... |
| LED | 453 | 87-A40-619-040 | LED,SLR-56PT-T31-W GRN | A..... |
| LED | 456 | 87-A40-619-040 | LED,SLR-56PT-T31-W GRN | A..... |
| LED | 457 | 87-A40-619-040 | LED,SLR-56PT-T31-W GRN | A..... |
| LED | 458 | 87-A40-619-040 | LED,SLR-56PT-T31-W GRN | A..... |
| LED | 454 | 87-A40-619-040 | LED,SLR-56PT-T31-W GRN | A..... |
| LED | 459 | 87-A40-619-040 | LED,SLR-56PT-T31-W GRN | A..... |
| LED | 461 | 87-A40-564-010 | LED,SEL6215S-LF62 RED | A..... |
| LED | 462 | 87-A40-564-010 | LED,SEL6215S-LF62 RED | A..... |
| LED | 465 | 87-A40-609-040 | LED,SLV-312MC PG | A..... |
| LED | 468 | 87-A40-609-040 | LED,SLV-312MC PG | A..... |
| LED | 466 | 87-A40-609-040 | LED,SLV-312MC PG | A..... |
| LED | 467 | 87-A40-609-040 | LED,SLV-312MC PG | A..... |
| LED | 463 | 87-A40-619-040 | LED,SLR-56PT-T31-W GRN | A..... |
| LED | 460 | 87-A40-619-040 | LED,SLR-56PT-T31-W GRN | A..... |
| LED | 464 | 87-A40-619-040 | LED,SLR-56PT-T31-W GRN | A..... |
| LED | 482 | 87-A40-619-040 | LED,SLR-56PT-T31-W GRN | A..... |
| LED | 486 | 87-A40-619-040 | LED,SLR-56PT-T31-W GRN | A..... |
| LED | 483 | 87-A40-619-040 | LED,SLR-56PT-T31-W GRN | A..... |
| LED | 487 | 87-A40-619-040 | LED,SLR-56PT-T31-W GRN | A..... |
| LED | 481 | 87-A40-619-040 | LED,SLR-56PT-T31-W GRN | A..... |
| LED | 485 | 87-A40-619-040 | LED,SLR-56PT-T31-W GRN | A..... |
| LED | 488 | 87-A40-619-040 | LED,SLR-56PT-T31-W GRN | A..... |
| LED | 484 | 87-A40-619-040 | LED,SLR-56PT-T31-W GRN | A..... |
| Q | 102 | 87-026-610-080 | TR,KTC3198GR | A..... |
| Q | 108 | 87-A30-073-080 | C-TR,RT1N 141C | A..... |
| Q | 104 | 87-A30-087-080 | C-FET,2SK2158 | A..... |
| Q | 101 | 87-A30-087-080 | C-FET,2SK2158 | A..... |
| Q | 103 | 87-A30-087-080 | C-FET,2SK2158 | A..... |
| Q | 262 | 87-A30-159-080 | C-TR,KTA1298Y | A..... |
| Q | 266 | 87-A30-202-080 | C-TR,RT1P441C | A..... |
| Q | 301 | 87-A30-076-080 | C-TR,2SC3052F | A..... |
| Q | 702 | 87-A30-159-080 | C-TR,KTA1298Y | A..... |
| Q | 703 | 87-A30-159-080 | C-TR,KTA1298Y | A..... |
| Q | 701 | 87-A30-240-080 | TR,CSA1585BC | A..... |
| R | 213 | 87-012-157-080 | C-CAP,S 330P-50 CH | A..... |
| R | 212 | 87-012-157-080 | C-CAP,S 330P-50 CH | A..... |
| R | 210 | 87-012-157-080 | C-CAP,S 330P-50 CH | A..... |
| S | 101 | 87-A90-535-010 | SW,RTRY EC16B24304 | A..... |
| S | 102 | 8Z-MA4-612-010 | SW,RTRY REO 121SL10-12 | A..... |
| S | 302 | 87-A90-164-080 | SW,TACT SKQAB(N) | A..... |
| S | 308 | 87-A90-164-080 | SW,TACT SKQAB(N) | A..... |
| S | 307 | 87-A90-164-080 | SW,TACT SKQAB(N) | A..... |
| S | 301 | 87-A90-164-080 | SW,TACT SKQAB(N) | A..... |
| S | 303 | 87-A90-164-080 | SW,TACT SKQAB(N) | A..... |
| S | 309 | 87-A90-164-080 | SW,TACT SKQAB(N) | A..... |
| S | 310 | 87-A90-164-080 | SW,TACT SKQAB(N) | A..... |
| S | 315 | 87-A90-164-080 | SW,TACT SKQAB(N) | A..... |
| S | 311 | 87-A90-164-080 | SW,TACT SKQAB(N) | A..... |
| S | 313 | 87-A90-164-080 | SW,TACT SKQAB(N) | A..... |
| S | 312 | 87-A90-164-080 | SW,TACT SKQAB(N) | A..... |
| S | 314 | 87-A90-164-080 | SW,TACT SKQAB(N) | A..... |
| S | 323 | 87-A90-164-080 | SW,TACT SKQAB(N) | A..... |
| S | 326 | 87-A90-164-080 | SW,TACT SKQAB(N) | A..... |
| S | 325 | 87-A90-164-080 | SW,TACT SKQAB(N) | A..... |
| S | 328 | 87-A90-164-080 | SW,TACT SKQAB(N) | A..... |
| S | 324 | 87-A90-164-080 | SW,TACT SKQAB(N) | A..... |
| S | 322 | 87-A90-164-080 | SW,TACT SKQAB(N) | A..... |
| S | 327 | 87-A90-164-080 | SW,TACT SKQAB(N) | A..... |
| S | 329 | 87-A90-164-080 | SW,TACT SKQAB(N) | A..... |
| S | 321 | 87-A90-164-080 | SW,TACT SKQAB(N) | A..... |
| S | 331 | 87-A90-164-080 | SW,TACT SKQAB(N) | A..... |
| S | 334 | 87-A90-164-080 | SW,TACT SKQAB(N) | A..... |
| S | 332 | 87-A90-164-080 | SW,TACT SKQAB(N) | A..... |
| S | 330 | 87-A90-164-080 | SW,TACT SKQAB(N) | A..... |
| S | 335 | 87-A90-164-080 | SW,TACT SKQAB(N) | A..... |
| S | 333 | 87-A90-164-080 | SW,TACT SKQAB(N) | A..... |
| S | 347 | 87-A90-164-080 | SW,TACT SKQAB(N) | A..... |
| S | 348 | 87-A90-164-080 | SW,TACT SKQAB(N) | A..... |
| S | 344 | 87-A90-164-080 | SW,TACT SKQAB(N) | A..... |
| S | 349 | 87-A90-164-080 | SW,TACT SKQAB(N) | A..... |
| S | 346 | 87-A90-164-080 | SW,TACT SKQAB(N) | A..... |
| S | 342 | 87-A90-164-080 | SW,TACT SKQAB(N) | A..... |
| S | 343 | 87-A90-164-080 | SW,TACT SKQAB(N) | A..... |
| S | 341 | 87-A90-164-080 | SW,TACT SKQAB(N) | A..... |
| S | 345 | 87-A90-164-080 | SW,TACT SKQAB(N) | A..... |
| S | 354 | 87-A90-164-080 | SW,TACT SKQAB(N) | A..... |
| S | 352 | 87-A90-164-080 | SW,TACT SKQAB(N) | A..... |
| S | 353 | 87-A90-164-080 | SW,TACT SKQAB(N) | A..... |
| S | 350 | 87-A90-164-080 | SW,TACT SKQAB(N) | A..... |
| S | 351 | 87-A90-164-080 | SW,TACT SKQAB(N) | A..... |
| S | 355 | 87-A90-164-080 | SW,TACT SKQAB(N) | A..... |
| C | 802 | 87-010-176-080 | C-CAP,S 680P-50 SL | A..... |
| C | 803 | 87-010-187-080 | CAP CHIP S5600P | A..... |
| C | 807 | 87-010-196-080 | CHIP CAPACITOR,0.1-25 | A..... |
| C | 804 | 87-010-213-080 | C-CAP,S 0.015-50 B | A..... |
| C | 806 | 87-010-401-040 | CAP,E 1-50 SME | A..... |
| C | 809 | 87-012-155-080 | C-CAP 180P-50CH | A..... |

ELECTRICAL PARTS LIST-4/10

| | | | | |
|-----|-----|----------------|-------------------------|--------|
| C | 801 | 87-012-156-080 | C-CAP,S 220P-50 CH | A..... |
| C | 810 | 87-010-263-040 | CAP,E 100-10 | A..... |
| C | 811 | 87-010-382-040 | CAP,E 22-25 SME | A..... |
| C | 812 | 87-010-560-040 | CAP,E 10-50 GAS | A..... |
| D | 801 | 87-017-931-080 | ZENER,MTZJ5.6B | A..... |
| IC | 801 | 87-A21-051-040 | C-IC,BU9990-03FS | A..... |
| L | 801 | 87-A50-093-010 | COIL,CLOCK 5.76MHZ | A..... |
| C | 307 | 87-010-196-080 | CHIP CAPACITOR,0.1-25 | A..... |
| C | 301 | 87-010-318-080 | C-CAP,S 47P-50 CH | A..... |
| C | 302 | 87-010-318-080 | C-CAP,S 47P-50 CH | A..... |
| C | 306 | 87-012-145-080 | CAP,CHIP S 270P CH | A..... |
| C | 305 | 87-012-145-080 | CAP,CHIP S 270P CH | A..... |
| C | 303 | 87-012-157-080 | C-CAP,S 330P-50 CH | A..... |
| C | 304 | 87-012-157-080 | C-CAP,S 330P-50 CH | A..... |
| C | 315 | 87-010-178-080 | CHIP CAP 1000P | A..... |
| C | 316 | 87-010-178-080 | CHIP CAP 1000P | A..... |
| C | 314 | 87-010-179-080 | CAP,CHIP S B1200P | A..... |
| C | 313 | 87-010-179-080 | CAP,CHIP S B1200P | A..... |
| C | 311 | 87-010-198-080 | CAP,CHIP 0.022 | A..... |
| C | 312 | 87-010-198-080 | CAP,CHIP 0.022 | A..... |
| C | 319 | 87-012-141-080 | CHIP-CAPACITOR,0.22-16F | A..... |
| C | 318 | 87-012-142-080 | CAP,S 0.33-16 | A..... |
| C | 317 | 87-012-142-080 | CAP,S 0.33-16 | A..... |
| C | 324 | 87-010-260-080 | CAP,ELECT 47-25V | A..... |
| C | 325 | 87-010-370-080 | CAP,E 330-6.3 SME | A..... |
| C | 327 | 87-010-404-080 | CAP,ELECT 4.7-50V | A..... |
| C | 328 | 87-010-404-080 | CAP,ELECT 4.7-50V | A..... |
| C | 320 | 87-012-141-080 | CHIP-CAPACITOR,0.22-16F | A..... |
| C | 322 | 87-012-142-080 | CAP,S 0.33-16 | A..... |
| C | 321 | 87-012-142-080 | CAP,S 0.33-16 | A..... |
| C | 339 | 87-010-196-080 | CHIP CAPACITOR,0.1-25 | A..... |
| C | 337 | 87-010-196-080 | CHIP CAPACITOR,0.1-25 | A..... |
| C | 332 | 87-010-196-080 | CHIP CAPACITOR,0.1-25 | A..... |
| C | 336 | 87-010-401-080 | CAP,ELECT 1-50V | A..... |
| C | 335 | 87-010-401-080 | CAP,ELECT 1-50V | A..... |
| C | 340 | 87-010-196-080 | CHIP CAPACITOR,0.1-25 | A..... |
| C | 354 | 87-010-175-080 | CAP 560P | A..... |
| C | 359 | 87-010-183-080 | C-CAP,S 2700P-50 B | A..... |
| C | 358 | 87-010-183-080 | C-CAP,S 2700P-50 B | A..... |
| C | 357 | 87-010-197-080 | CAP,CHIP 0.01 DM | A..... |
| C | 356 | 87-010-260-080 | CAP,ELECT 47-25V | A..... |
| C | 352 | 87-012-140-080 | CAP 470P | A..... |
| C | 351 | 87-012-140-080 | CAP 470P | A..... |
| C | 355 | 87-012-349-080 | C-CAP,S 1000P-50 CH | A..... |
| C | 360 | 87-010-183-080 | C-CAP,S 2700P-50 B | A..... |
| C | 363 | 87-A10-292-080 | CAP,M 5600P-50 J | A..... |
| C | 372 | 87-010-175-080 | CAP 560P | A..... |
| C | 371 | 87-010-175-080 | CAP 560P | A..... |
| C | 374 | 87-010-179-080 | CAP,CHIP S B1200P | A..... |
| C | 373 | 87-010-179-080 | CAP,CHIP S B1200P | A..... |
| C | 370 | 87-010-196-080 | CHIP CAPACITOR,0.1-25 | A..... |
| C | 378 | 87-010-196-080 | CHIP CAPACITOR,0.1-25 | A..... |
| C | 376 | 87-010-545-080 | CAP,ELECT 0.22-50V | A..... |
| C | 375 | 87-010-545-080 | CAP,ELECT 0.22-50V | A..... |
| C | 385 | 87-010-184-080 | CHIP CAPACITOR 3300P(K) | A..... |
| C | 386 | 87-010-196-080 | CHIP CAPACITOR,0.1-25 | A..... |
| C | 381 | 87-010-197-080 | CAP,CHIP 0.01 DM | A..... |
| C | 383 | 87-010-197-080 | CAP,CHIP 0.01 DM | A..... |
| C | 382 | 87-010-318-080 | C-CAP,S 47P-50 CH | A..... |
| C | 384 | 87-010-402-080 | CAP,ELECT 2.2-50V | A..... |
| C | 388 | 87-012-156-080 | C-CAP,S 220P-50 CH | A..... |
| C | 394 | 87-012-145-080 | CAP,CHIP S 270P CH | A..... |
| C | 391 | 87-012-145-080 | CAP,CHIP S 270P CH | A..... |
| C | 393 | 87-012-145-080 | CAP,CHIP S 270P CH | A..... |
| C | 392 | 87-012-145-080 | CAP,CHIP S 270P CH | A..... |
| CN | 301 | 87-099-827-010 | CONN,3P S2M-3W | A..... |
| CN | 351 | 87-099-832-010 | CONN,8P S2M-8W | A..... |
| D | 352 | 87-A40-269-080 | C-DIODE,MC2836 | A..... |
| IC | 302 | 87-A20-355-010 | IC,CXA1553P | A..... |
| IC | 303 | 87-A20-783-040 | C-IC,BA7762AFS | A..... |
| L | 302 | 87-A50-049-010 | COIL,TRAP 85K(COI) | A..... |
| L | 301 | 87-A50-049-010 | COIL,TRAP 85K(COI) | A..... |
| L | 351 | 87-007-342-010 | COIL,OSC 85K BIAS | A..... |
| Q | 359 | 87-026-610-080 | TR,KTC3198GR | A..... |
| Q | 357 | 87-026-610-080 | TR,KTC3198GR | A..... |
| Q | 358 | 87-026-610-080 | TR,KTC3198GR | A..... |
| Q | 353 | 87-A30-087-080 | C-FET,2SK2158 | A..... |
| Q | 354 | 87-A30-087-080 | C-FET,2SK2158 | A..... |
| Q | 351 | 87-A30-087-080 | C-FET,2SK2158 | A..... |
| Q | 355 | 87-A30-105-080 | C-TR,RT1P 441C | A..... |
| Q | 382 | 87-A30-076-080 | C-TR,2SC3052F | A..... |
| Q | 381 | 87-A30-076-080 | C-TR,2SC3052F | A..... |
| SFR | 306 | 87-A90-433-080 | SFR,50K H NVZ6TLTA | A..... |
| SFR | 305 | 87-A90-433-080 | SFR,50K H NVZ6TLTA | A..... |
| SFR | 302 | 87-A90-557-080 | SFR,33K H HOKU | A..... |
| SFR | 303 | 87-A90-557-080 | SFR,33K H HOKU | A..... |
| SFR | 304 | 87-A90-557-080 | SFR,33K H HOKU | A..... |
| SFR | 301 | 87-A90-557-080 | SFR,33K H HOKU | A..... |
| SFR | 352 | 87-A90-433-080 | SFR,50K H NVZ6TLTA | A..... |
| SFR | 351 | 87-A90-433-080 | SFR,50K H NVZ6TLTA | A..... |
| C | 407 | 87-010-188-080 | CAP,CHIP 6800P | A..... |
| C | 408 | 87-010-188-080 | CAP,CHIP 6800P | A..... |

ELECTRICAL PARTS LIST-5/10

| | | | | |
|-----|-----|----------------|-------------------------|--------|
| C | 401 | 87-010-196-080 | CHIP CAPACITOR,0.1-25 | A..... |
| C | 402 | 87-010-260-080 | CAP, ELECT 47-25V | A..... |
| C | 406 | 87-010-404-080 | CAP, ELECT 4.7-50V | A..... |
| C | 405 | 87-010-404-080 | CAP, ELECT 4.7-50V | A..... |
| C | 404 | 87-010-404-080 | CAP, ELECT 4.7-50V | A..... |
| C | 403 | 87-010-404-080 | CAP, ELECT 4.7-50V | A..... |
| C | 409 | 87-012-140-080 | CAP 470P | A..... |
| C | 415 | 87-010-197-080 | CAP, CHIP 0.01 DM | A..... |
| C | 416 | 87-010-197-080 | CAP, CHIP 0.01 DM | A..... |
| C | 419 | 87-010-260-080 | CAP, ELECT 47-25V | A..... |
| C | 411 | 87-010-404-080 | CAP, ELECT 4.7-50V | A..... |
| C | 413 | 87-010-404-080 | CAP, ELECT 4.7-50V | A..... |
| C | 414 | 87-010-404-080 | CAP, ELECT 4.7-50V | A..... |
| C | 412 | 87-010-404-080 | CAP, ELECT 4.7-50V | A..... |
| C | 417 | 87-010-956-080 | CHIP-CAP,S 0.068-25B | A..... |
| C | 418 | 87-010-956-080 | CHIP-CAP,S 0.068-25B | A..... |
| C | 410 | 87-012-140-080 | CAP 470P | A..... |
| D | 402 | 87-020-465-080 | DIODE,1SS133 (110MA) | A..... |
| D | 401 | 87-A40-269-080 | C-DIODE,MC2836 | A..... |
| IC | 401 | 87-A21-022-040 | C-IC,BA3880FS | A..... |
| C | 457 | 87-010-196-080 | CHIP CAPACITOR,0.1-25 | A..... |
| C | 458 | 87-010-196-080 | CHIP CAPACITOR,0.1-25 | A..... |
| C | 452 | 87-010-401-080 | CAP, ELECT 1-50V | A..... |
| C | 451 | 87-010-401-080 | CAP, ELECT 1-50V | A..... |
| C | 459 | 87-A10-300-080 | CAP,M 0.027-50 J | A..... |
| C | 456 | 87-A10-305-080 | CAP,M 0.068-50 J | A..... |
| C | 455 | 87-A10-305-080 | CAP,M 0.068-50 J | A..... |
| C | 467 | 87-016-314-080 | C-CAP,S 1-16 F | A..... |
| C | 466 | 87-A10-298-080 | CAP,M 0.018-50 J | A..... |
| C | 465 | 87-A10-298-080 | CAP,M 0.018-50 J | A..... |
| C | 460 | 87-A10-300-080 | CAP,M 0.027-50 J | A..... |
| IC | 451 | 87-A21-031-040 | C-IC,BU4551BF | A..... |
| JW | 464 | 87-070-136-080 | ZENER,MTZJ5.1B | A..... |
| Q | 451 | 87-A30-105-080 | C-TR,RT1P 441C | A..... |
| | | 87-067-579-010 | TAPPING SCREW, BVT2+3-8 | A..... |
| C | 6 | 87-012-368-080 | C-CAP,S 0.1-50 F | A..... |
| C | 5 | 87-012-368-080 | C-CAP,S 0.1-50 F | A..... |
| C | 3 | 87-012-368-080 | C-CAP,S 0.1-50 F | A..... |
| C | 4 | 87-012-368-080 | C-CAP,S 0.1-50 F | A..... |
| C | 1 | 87-012-369-080 | C-CAP,S 0.047-50F | A..... |
| C | 2 | 87-012-369-080 | C-CAP,S 0.047-50F | A..... |
| C | 9 | 87-016-658-090 | CAP,E 4700-35 SMG | A..... |
| C | 10 | 87-016-658-090 | CAP,E 4700-35 SMG | A..... |
| C | 29 | 87-010-247-080 | CAP, ELECT 100-50V | A..... |
| C | 26 | 87-010-263-080 | CAP, ELECT 100-10V | A..... |
| C | 28 | 87-010-263-080 | CAP, ELECT 100-10V | A..... |
| C | 23 | 87-010-385-080 | CAP, ELECT 220-25V | A..... |
| C | 22 | 87-010-385-080 | CAP, ELECT 220-25V | A..... |
| C | 24 | 87-010-385-080 | CAP, ELECT 220-25V | A..... |
| C | 21 | 87-010-385-080 | CAP, ELECT 220-25V | A..... |
| C | 25 | 87-010-430-080 | CAP, ELECT 100-63 | A..... |
| C | 27 | 87-012-140-080 | CAP 470P | A..... |
| C | 30 | 87-010-112-080 | CAP, ELECT 100-16V | A..... |
| C | 31 | 87-010-235-080 | CAP,E 470-16 SME | A..... |
| C | 61 | 87-010-260-080 | CAP, ELECT 47-25V | A..... |
| C | 62 | 87-010-496-080 | CAP,E 3.3-50 5L | A..... |
| C | 92 | 87-010-263-080 | CAP, ELECT 100-10V | A..... |
| C | 93 | 87-010-380-080 | CAP, ELECT 47-16V | A..... |
| C | 91 | 87-010-401-080 | CAP, ELECT 1-50V | A..... |
| CN | 1 | 87-A60-739-010 | CONN,13P JL-BT | A..... |
| CN | 91 | 87-A60-109-010 | CONN,2P V S2M-2W | A..... |
| CNA | 1 | 8Z-NF8-669-010 | CONN ASSY,9P VH | A..... |
| D | 9 | 87-020-465-080 | DIODE,1SS133 (110MA) | A..... |
| D | 8 | 87-020-465-080 | DIODE,1SS133 (110MA) | A..... |
| D | 4 | 87-070-274-080 | DIODE,1N4003 SEM | A..... |
| D | 6 | 87-070-274-080 | DIODE,1N4003 SEM | A..... |
| D | 3 | 87-070-274-080 | DIODE,1N4003 SEM | A..... |
| D | 5 | 87-070-274-080 | DIODE,1N4003 SEM | A..... |
| D | 7 | 87-A40-341-080 | ZENER,MTZJ 36 A | A..... |
| D | 1 | 87-A40-549-090 | DIODE,RBA-1002 | A..... |
| D | 10 | 87-A40-345-080 | ZENER,MTZJ10C | A..... |
| D | 64 | 87-070-274-080 | DIODE,1N4003 SEM | A..... |
| D | 63 | 87-A40-004-080 | ZENER,MTZJ16A | A..... |
| D | 62 | 87-A40-269-080 | C-DIODE,MC2836 | A..... |
| D | 61 | 87-A40-270-080 | C-DIODE,MC2838 | A..... |
| D | 91 | 87-020-465-080 | DIODE,1SS133 (110MA) | A..... |
| D | 92 | 87-020-465-080 | DIODE,1SS133 (110MA) | A..... |
| Q | 1 | 87-026-609-080 | TR,KTA1266GR | A..... |
| Q | 2 | 87-026-609-080 | TR,KTA1266GR | A..... |
| Q | 5 | 87-026-610-080 | TR,KTC3198GR | A..... |
| Q | 8 | 87-A30-075-080 | C-TR,2SA1235F | A..... |
| Q | 7 | 87-A30-075-080 | C-TR,2SA1235F | A..... |
| Q | 6 | 87-A30-076-080 | C-TR,2SC3052F | A..... |
| Q | 9 | 87-A30-234-080 | TR,CSC4115BC | A..... |
| Q | 64 | 87-A30-075-080 | C-TR,2SA1235F | A..... |
| Q | 66 | 87-A30-075-080 | C-TR,2SA1235F | A..... |
| Q | 63 | 87-A30-076-080 | C-TR,2SC3052F | A..... |
| Q | 65 | 87-A30-076-080 | C-TR,2SC3052F | A..... |
| Q | 67 | 87-A30-076-080 | C-TR,2SC3052F | A..... |
| Q | 92 | 87-026-609-080 | TR,KTA1266GR | A..... |
| Q | 91 | 87-A30-076-080 | C-TR,2SC3052F | A..... |
| R | 20 | 87-A00-261-080 | RES,M/F 0.56-1W J | A..... |

ELECTRICAL PARTS LIST-6/10

| | | | | |
|----|-----|----------------|-----------------------------|--------|
| WH | 1 | 87-A90-510-010 | HLDR,WIRE 2.5-9P | A..... |
| C | 102 | 87-010-178-080 | CHIP,CAP 1000P | A..... |
| C | 101 | 87-010-178-080 | CHIP,CAP 1000P | A..... |
| C | 105 | 87-010-184-080 | CHIP,CAPACITOR 3300P(K) | A..... |
| C | 106 | 87-010-184-080 | CHIP,CAPACITOR 3300P(K) | A..... |
| C | 107 | 87-010-403-080 | CAP,ELECT 3.3-50V | A..... |
| C | 108 | 87-010-403-080 | CAP,ELECT 3.3-50V | A..... |
| C | 112 | 87-010-260-080 | CAP,ELECT 47-25V | A..... |
| C | 111 | 87-010-260-080 | CAP,ELECT 47-25V | A..... |
| C | 117 | 87-016-247-080 | C-CAP,0.1-50 F | A..... |
| C | 118 | 87-016-247-080 | C-CAP,0.1-50 F | A..... |
| C | 113 | 87-A10-812-080 | C-CAP,S 220P-200 J CH | A..... |
| C | 114 | 87-A10-812-080 | C-CAP,S 220P-200 J CH | A..... |
| C | 121 | 87-010-178-080 | CHIP,CAP 1000P | A..... |
| C | 122 | 87-010-178-080 | CHIP,CAP 1000P | A..... |
| C | 127 | 87-012-368-080 | C-CAP,S 0.1-50 F | A..... |
| C | 125 | 87-012-368-080 | C-CAP,S 0.1-50 F | A..... |
| C | 126 | 87-012-368-080 | C-CAP,S 0.1-50 F | A..... |
| C | 128 | 87-012-368-080 | C-CAP,S 0.1-50 F | A..... |
| C | 133 | 87-010-197-080 | CAP,CHIP 0.01 DM | A..... |
| C | 134 | 87-010-402-080 | CAP,ELECT 2.2-50V | A..... |
| D | 103 | 87-020-465-080 | DIODE,1SS133 (110MA) | A..... |
| D | 102 | 87-020-465-080 | DIODE,1SS133 (110MA) | A..... |
| D | 101 | 87-020-465-080 | DIODE,1SS133 (110MA) | A..... |
| D | 109 | 87-020-465-080 | DIODE,1SS133 (110MA) | A..... |
| D | 104 | 87-020-465-080 | DIODE,1SS133 (110MA) | A..... |
| D | 108 | 87-A40-488-080 | DIODE,1SS244 | A..... |
| D | 107 | 87-A40-488-080 | DIODE,1SS244 | A..... |
| D | 110 | 87-020-465-080 | DIODE,1SS133 (110MA) | A..... |
| D | 112 | 87-020-465-080 | DIODE,1SS133 (110MA) | A..... |
| D | 114 | 87-020-465-080 | DIODE,1SS133 (110MA) | A..... |
| D | 113 | 87-020-465-080 | DIODE,1SS133 (110MA) | A..... |
| D | 111 | 87-A40-270-080 | C-DIODE,MC2838 | A..... |
| J | 206 | 87-A60-878-010 | JACK,PIN 3P W/R/O HSP-243V4 | A..... |
| L | 102 | 87-003-383-010 | COIL,1UH-S | A..... |
| L | 101 | 87-003-383-010 | COIL,1UH-S | A..... |
| Q | 106 | 87-A30-075-080 | C-TR,2SA1235F | A..... |
| Q | 104 | 87-A30-075-080 | C-TR,2SA1235F | A..... |
| Q | 105 | 87-A30-075-080 | C-TR,2SA1235F | A..... |
| Q | 103 | 87-A30-075-080 | C-TR,2SA1235F | A..... |
| Q | 108 | 87-A30-076-080 | C-TR,2SC3052F | A..... |
| Q | 109 | 87-A30-076-080 | C-TR,2SC3052F | A..... |
| Q | 107 | 87-A30-076-080 | C-TR,2SC3052F | A..... |
| Q | 101 | 87-A30-257-080 | C-TR,2SD1306E | A..... |
| Q | 102 | 87-A30-257-080 | C-TR,2SD1306E | A..... |
| Q | 110 | 87-A30-076-080 | C-TR,2SC3052F | A..... |
| Q | 112 | 87-A30-190-080 | TR,CC5551 | A..... |
| Q | 111 | 87-A30-190-080 | TR,CC5551 | A..... |
| Q | 119 | 87-A30-215-010 | TR,2SD2025 | A..... |
| Q | 126 | 87-A30-075-080 | C-TR,2SA1235F | A..... |
| Q | 127 | 87-A30-075-080 | C-TR,2SA1235F | A..... |
| Q | 128 | 87-A30-076-080 | C-TR,2SC3052F | A..... |
| Q | 129 | 87-A30-076-080 | C-TR,2SC3052F | A..... |
| Q | 123 | 87-A30-106-070 | C-TR,CMBT5551 | A..... |
| Q | 124 | 87-A30-106-070 | C-TR,CMBT5551 | A..... |
| Q | 122 | 87-A30-214-010 | TR,2SB1344 | A..... |
| Q | 121 | 87-A30-214-010 | TR,2SB1344 | A..... |
| Q | 120 | 87-A30-215-010 | TR,2SD2025 | A..... |
| Q | 131 | 87-A30-076-080 | C-TR,2SC3052F | A..... |
| Q | 130 | 87-A30-076-080 | C-TR,2SC3052F | A..... |
| R | 129 | 87-A00-258-080 | RES,M/F 0.22-1W J | A..... |
| R | 132 | 87-A00-258-080 | RES,M/F 0.22-1W J | A..... |
| R | 130 | 87-A00-258-080 | RES,M/F 0.22-1W J | A..... |
| R | 131 | 87-A00-258-080 | RES,M/F 0.22-1W J | A..... |
| R | 146 | 87-A00-440-050 | RES,220-1/2W J RP | A..... |
| R | 143 | 87-A00-440-050 | RES,220-1/2W J RP | A..... |
| R | 145 | 87-A00-440-050 | RES,220-1/2W J RP | A..... |
| R | 144 | 87-A00-440-050 | RES,220-1/2W J RP | A..... |
| R | 166 | 87-A00-258-080 | RES,M/F 0.22-1W J | A..... |
| R | 165 | 87-A00-258-080 | RES,M/F 0.22-1W J | A..... |
| TH | 102 | 87-A91-042-080 | C-THMS,100K 55001 | A..... |
| TH | 101 | 87-A91-042-080 | C-THMS,100K 55001 | A..... |
| C | 201 | 87-010-402-080 | CAP,ELECT 2.2-50V | A..... |
| C | 202 | 87-010-402-080 | CAP,ELECT 2.2-50V | A..... |
| C | 204 | 87-012-140-080 | CAP 470P | A..... |
| C | 203 | 87-012-140-080 | CAP 470P | A..... |
| C | 229 | 87-010-993-080 | C-CAP,S 0.056-25 B | A..... |
| C | 239 | 87-010-196-080 | CHIP,CAPACITOR,0.1-25 | A..... |
| C | 232 | 87-010-196-080 | CHIP,CAPACITOR,0.1-25 | A..... |
| C | 231 | 87-010-196-080 | CHIP,CAPACITOR,0.1-25 | A..... |
| C | 230 | 87-010-993-080 | C-CAP,S 0.056-25 B | A..... |
| C | 252 | 87-010-183-080 | C-CAP,S 2700P-50 B | A..... |
| C | 251 | 87-010-402-080 | CAP,ELECT 2.2-50V | A..... |
| C | 890 | 87-010-993-080 | C-CAP,S 0.056-25 B | A..... |
| CN | 201 | 87-A60-739-010 | CONN,13P JL-BT | A..... |
| D | 213 | 87-020-465-080 | DIODE,1SS133 (110MA) | A..... |
| J | 203 | 87-033-240-010 | TERMINAL,SP 4P32SV1-05 | A..... |
| J | 201 | 87-A60-483-010 | JACK,DIA6.3 BLK ST W/S KM | A..... |
| J | 205 | 87-A60-751-010 | JACK,PIN 2P R/W BLUE | A..... |
| L | 202 | 87-003-383-010 | COIL,1UH-S | A..... |
| L | 201 | 87-003-383-010 | COIL,1UH-S | A..... |
| Q | 201 | 87-A30-257-080 | C-TR,2SD1306E | A..... |

ELECTRICAL PARTS LIST-7/10

| | | | | |
|----|-----|----------------|--------------------------|--------|
| Q | 202 | 87-A30-257-080 | C-TR,2SD1306E | A..... |
| Q | 221 | 87-A30-073-080 | C-TR,RT1N 141C | A..... |
| Q | 223 | 87-A30-105-080 | C-TR,RT1P 441C | A..... |
| Q | 230 | 87-A30-257-080 | C-TR,2SD1306E | A..... |
| C | 802 | 87-010-176-080 | C-CAP,S 680P-50 SL | A..... |
| C | 801 | 87-010-176-080 | C-CAP,S 680P-50 SL | A..... |
| C | 809 | 87-010-196-080 | CHIP CAPACITOR,0.1-25 | A..... |
| C | 808 | 87-010-401-080 | CAP, ELECT 1-50V | A..... |
| C | 807 | 87-010-401-080 | CAP, ELECT 1-50V | A..... |
| C | 806 | 87-010-958-080 | CHIP -CAP,S 0.01-25BJ | A..... |
| C | 805 | 87-010-958-080 | CHIP -CAP,S 0.01-25BJ | A..... |
| C | 804 | 87-010-958-080 | CHIP -CAP,S 0.01-25BJ | A..... |
| C | 803 | 87-010-958-080 | CHIP -CAP,S 0.01-25BJ | A..... |
| C | 810 | 87-010-112-080 | CAP, ELECT 100-16V | A..... |
| C | 817 | 87-010-221-080 | CAP, ELECT 470-10V | A..... |
| C | 813 | 87-010-401-080 | CAP, ELECT 1-50V | A..... |
| C | 815 | 87-010-492-080 | CAP,E 0.33-50 M 5L SRE | A..... |
| C | 816 | 87-010-492-080 | CAP,E 0.33-50 M 5L SRE | A..... |
| C | 814 | 87-010-494-080 | CAP ELECT GAS 1/50 | A..... |
| C | 811 | 87-010-495-080 | CAP,E2.2-50 | A..... |
| C | 812 | 87-010-495-080 | CAP,E2.2-50 | A..... |
| C | 819 | 87-A10-800-080 | C-CAP,S 6800P-16 J B CM | A..... |
| C | 818 | 87-A10-891-080 | CAP,E 4.7-25 SME(K) | A..... |
| C | 825 | 87-010-196-080 | CHIP CAPACITOR,0.1-25 | A..... |
| C | 821 | 87-010-196-080 | CHIP CAPACITOR,0.1-25 | A..... |
| C | 824 | 87-010-374-080 | CAP, ELECT 47-10V | A..... |
| C | 820 | 87-010-374-080 | CAP, ELECT 47-10V | A..... |
| C | 829 | 87-010-545-080 | CAP, ELECT 0.22-50V | A..... |
| C | 822 | 87-A10-804-080 | C-CAP,S 0.1-25 J B | A..... |
| C | 839 | 87-010-805-080 | CAP, S 1-16 | A..... |
| C | 831 | 87-010-971-080 | C-CAP,S 4700P-50 B J | A..... |
| C | 837 | 87-010-971-080 | C-CAP,S 4700P-50 B J | A..... |
| C | 830 | 87-012-142-080 | CAP, S 0.33-16 | A..... |
| C | 832 | 87-012-349-080 | C-CAP,S 1000P-50 CH | A..... |
| C | 838 | 87-012-349-080 | C-CAP,S 1000P-50 CH | A..... |
| C | 835 | 87-A11-182-080 | C-CAP,S 0.27-16 J B | A..... |
| C | 834 | 87-A11-182-080 | C-CAP,S 0.27-16 J B | A..... |
| C | 836 | 87-A11-183-080 | C-CAP,S 0.12-16 J B | A..... |
| C | 833 | 87-A11-183-080 | C-CAP,S 0.12-16 J B | A..... |
| C | 840 | 87-010-401-080 | CAP, ELECT 1-50V | A..... |
| C | 846 | 87-010-404-080 | CAP, ELECT 4.7-50V | A..... |
| C | 847 | 87-010-404-080 | CAP, ELECT 4.7-50V | A..... |
| C | 848 | 87-012-393-080 | C-CAP,S 0.22-16 R K | A..... |
| C | 844 | 87-012-393-080 | C-CAP,S 0.22-16 R K | A..... |
| C | 845 | 87-012-393-080 | C-CAP,S 0.22-16 R K | A..... |
| C | 849 | 87-012-393-080 | C-CAP,S 0.22-16 R K | A..... |
| C | 843 | 87-A10-229-080 | C-CAP,S 0.68-10 K W5 | A..... |
| C | 841 | 87-A10-799-080 | C-CAP,S 5600P-16 J B CM | A..... |
| C | 842 | 87-A10-802-080 | C-CAP,S 0.047-16 J B CM | A..... |
| C | 854 | 87-016-081-080 | C-CAP,S 0.1-16 RK | A..... |
| C | 857 | 87-016-081-080 | C-CAP,S 0.1-16 RK | A..... |
| C | 850 | 87-016-081-080 | C-CAP,S 0.1-16 RK | A..... |
| C | 853 | 87-016-081-080 | C-CAP,S 0.1-16 RK | A..... |
| C | 855 | 87-A10-801-080 | C-CAP,S 0.022-16 J B CM | A..... |
| C | 856 | 87-A10-801-080 | C-CAP,S 0.022-16 J B CM | A..... |
| C | 851 | 87-A10-802-080 | C-CAP,S 0.047-16 J B CM | A..... |
| C | 852 | 87-A10-802-080 | C-CAP,S 0.047-16 J B CM | A..... |
| C | 866 | 87-010-194-080 | CAP, CHIP 0.047 | A..... |
| C | 863 | 87-010-196-080 | CHIP CAPACITOR,0.1-25 | A..... |
| C | 861 | 87-010-196-080 | CHIP CAPACITOR,0.1-25 | A..... |
| C | 865 | 87-012-141-080 | CHIP-CAPACITOR,0.22-16F | A..... |
| C | 868 | 87-A10-060-080 | C-CAP,S 0.18-16 K B | A..... |
| C | 867 | 87-A10-201-080 | C-CAP,S0.33-16 KB | A..... |
| C | 879 | 87-010-179-080 | CAP,CHIP S B1200P | A..... |
| C | 878 | 87-010-401-080 | CAP, ELECT 1-50V | A..... |
| C | 881 | 87-010-179-080 | CAP,CHIP S B1200P | A..... |
| C | 880 | 87-010-179-080 | CAP,CHIP S B1200P | A..... |
| C | 882 | 87-010-179-080 | CAP,CHIP S B1200P | A..... |
| CN | 203 | 87-099-564-010 | CONN,4P TUC-P4P-B1 | A..... |
| D | 802 | 87-070-136-080 | ZENER,MTZJ5.1B | A..... |
| D | 801 | 87-A40-442-080 | ZENER,MTZJ9.1A | A..... |
| IC | 801 | 87-A21-097-040 | C-IC,M62463AFP | A..... |
| IC | 831 | 87-A21-015-040 | C-IC,M62491FP | A..... |
| J | 831 | 87-A60-746-010 | JACK,PIN 6P R/W,R/W, O/B | A..... |
| L | 801 | 87-003-383-010 | COIL,1UH-S | A..... |
| Q | 831 | 87-A30-257-080 | C-TR,2SD1306E | A..... |
| R | 807 | 87-022-214-080 | C-RES S100K-1/10WF | A..... |
| R | 845 | 87-010-195-080 | C-CAP,S 0.068-25 F | A..... |
| C | 601 | 87-010-183-080 | C-CAP,S 2700P-50 B | A..... |
| C | 602 | 87-010-183-080 | C-CAP,S 2700P-50 B | A..... |
| C | 619 | 87-010-185-080 | C-CAP,S 3900P-50 B | A..... |
| C | 611 | 87-010-197-080 | CAP, CHIP 0.01 DM | A..... |
| C | 614 | 87-016-081-080 | C-CAP,S 0.1-16 RK | A..... |
| C | 613 | 87-016-081-080 | C-CAP,S 0.1-16 RK | A..... |
| C | 617 | 87-A10-305-080 | CAP,M 0.068-50 J | A..... |
| C | 618 | 87-A10-305-080 | CAP,M 0.068-50 J | A..... |
| C | 620 | 87-010-185-080 | C-CAP,S 3900P-50 B | A..... |
| C | 627 | 87-010-196-080 | CHIP CAPACITOR,0.1-25 | A..... |
| C | 622 | 87-010-401-080 | CAP, ELECT 1-50V | A..... |
| C | 621 | 87-010-401-080 | CAP, ELECT 1-50V | A..... |
| C | 625 | 87-010-405-080 | CAP, ELECT 10-50V | A..... |
| C | 626 | 87-010-405-080 | CAP, ELECT 10-50V | A..... |

ELECTRICAL PARTS LIST-8/10

| | | | | |
|----|-----|----------------|----------------------------|--------|
| C | 629 | 87-010-405-080 | CAP, ELECT 10-50V | A..... |
| C | 623 | 87-A10-773-080 | CAP,M 0.10-50 J | A..... |
| C | 624 | 87-A10-773-080 | CAP,M 0.10-50 J | A..... |
| C | 637 | 87-010-183-080 | C-CAP,S 2700P-50 B | A..... |
| C | 635 | 87-010-196-080 | CHIP CAPACITOR,0.1-25 | A..... |
| C | 634 | 87-010-196-080 | CHIP CAPACITOR,0.1-25 | A..... |
| C | 630 | 87-010-213-080 | C-CAP,S 0.015-50 B | A..... |
| C | 633 | 87-010-263-080 | CAP, ELECT 100-10V | A..... |
| C | 632 | 87-010-263-080 | CAP, ELECT 100-10V | A..... |
| C | 631 | 87-010-992-080 | C-CAP,S 0.047-25 B | A..... |
| C | 636 | 87-010-992-080 | C-CAP,S 0.047-25 B | A..... |
| C | 641 | 87-010-196-080 | CHIP CAPACITOR,0.1-25 | A..... |
| C | 640 | 87-010-314-080 | C-CAP,S 22P-50V | A..... |
| C | 677 | 87-010-196-080 | CHIP CAPACITOR,0.1-25 | A..... |
| C | 678 | 87-010-196-080 | CHIP CAPACITOR,0.1-25 | A..... |
| C | 680 | 87-010-196-080 | CHIP CAPACITOR,0.1-25 | A..... |
| CN | 604 | 87-099-570-010 | CONN,13P TUC-P13P-B1 | A..... |
| CN | 601 | 87-099-719-010 | CONN,30P TYK-B(X) | A..... |
| CN | 602 | 87-A60-131-010 | CONN,6P V FE | A..... |
| D | 601 | 87-A40-002-080 | ZENER,MTZJ5.1C | A..... |
| D | 603 | 87-A40-234-080 | ZENER,MTZJ5.6A | A..... |
| D | 602 | 87-A40-438-080 | ZENER,MTZJ4.7A | A..... |
| IC | 601 | 87-A21-202-040 | C-IC,M62445AFP | A..... |
| J | 601 | 87-A60-402-010 | JACK,PIN 6P R/W HSP-246V30 | A..... |
| Q | 604 | 87-026-444-080 | C-TR,DTA123EK | A..... |
| Q | 601 | 87-026-609-080 | TR,KTA1266GR | A..... |
| Q | 735 | 87-010-178-080 | CHIP CAP 1000P | A..... |
| Q | 732 | 87-010-196-080 | CHIP CAPACITOR,0.1-25 | A..... |
| Q | 736 | 87-010-196-080 | CHIP CAPACITOR,0.1-25 | A..... |
| Q | 733 | 87-010-196-080 | CHIP CAPACITOR,0.1-25 | A..... |
| Q | 738 | 87-010-318-080 | C-CAP,S 47P-50 CH | A..... |
| Q | 731 | 87-010-560-080 | CAP,E 10-50 GAS | A..... |
| Q | 734 | 87-012-156-080 | C-CAP,S 220P-50 CH | A..... |
| Q | 741 | 87-010-178-080 | CHIP CAP 1000P | A..... |
| Q | 732 | 87-A30-075-080 | C-TR,2SA1235F | A..... |
| Q | 731 | 87-A30-076-080 | C-TR,2SC3052F | A..... |
| Q | 902 | 87-010-402-080 | CAP, ELECT 2.2-50V | A..... |
| Q | 901 | 87-010-402-080 | CAP, ELECT 2.2-50V | A..... |
| Q | 904 | 87-010-404-080 | CAP, ELECT 4.7-50V | A..... |
| Q | 905 | 87-010-404-080 | CAP, ELECT 4.7-50V | A..... |
| Q | 903 | 87-010-404-080 | CAP, ELECT 4.7-50V | A..... |
| Q | 909 | 87-016-460-080 | C-CAP,S 0.22-16 B | A..... |
| Q | 907 | 87-016-669-080 | C-CAP,S 0.1-25 K B | A..... |
| Q | 908 | 87-016-669-080 | C-CAP,S 0.1-25 K B | A..... |
| Q | 919 | 87-010-183-080 | C-CAP,S 2700P-50 B | A..... |
| Q | 915 | 87-010-197-080 | CAP, CHIP 0.01 DM | A..... |
| Q | 916 | 87-010-197-080 | CAP, CHIP 0.01 DM | A..... |
| Q | 918 | 87-010-198-080 | CAP, CHIP 0.022 | A..... |
| Q | 917 | 87-010-198-080 | CAP, CHIP 0.022 | A..... |
| Q | 913 | 87-010-956-080 | CHIP-CAP,S 0.068-25B | A..... |
| Q | 914 | 87-010-956-080 | CHIP-CAP,S 0.068-25B | A..... |
| Q | 911 | 87-012-365-080 | C-CAP,S 0.027-25VBK | A..... |
| Q | 912 | 87-012-365-080 | C-CAP,S 0.027-25VBK | A..... |
| Q | 910 | 87-016-460-080 | C-CAP,S 0.22-16 B | A..... |
| Q | 927 | 87-010-112-080 | CAP, ELECT 100-16V | A..... |
| Q | 924 | 87-010-178-080 | CHIP CAP 1000P | A..... |
| Q | 923 | 87-010-178-080 | CHIP CAP 1000P | A..... |
| Q | 926 | 87-010-182-080 | C-CAP,S 2200P-50 B | A..... |
| Q | 925 | 87-010-182-080 | C-CAP,S 2200P-50 B | A..... |
| Q | 920 | 87-010-183-080 | C-CAP,S 2700P-50 B | A..... |
| Q | 922 | 87-010-188-080 | CAP,CHIP 6800P | A..... |
| Q | 921 | 87-010-188-080 | CAP,CHIP 6800P | A..... |
| Q | 928 | 87-010-196-080 | CHIP CAPACITOR,0.1-25 | A..... |
| Q | 929 | 87-010-322-080 | C-CAP,S 100P-50 CH | A..... |
| Q | 931 | 87-010-322-080 | C-CAP,S 100P-50 CH | A..... |
| Q | 930 | 87-010-322-080 | C-CAP,S 100P-50 CH | A..... |
| CN | 901 | 87-099-568-010 | CONN,11P TUC-P11P-B1 | A..... |
| IC | 901 | 87-A20-869-040 | C-IC,M62449FP | A..... |
| PN | 901 | 87-A60-546-010 | CONN,11P H GRY TUC-P11X-C1 | A..... |
| C | 885 | 87-010-182-080 | C-CAP,S 2200P-50 B | A..... |
| C | 886 | 87-010-182-080 | C-CAP,S 2200P-50 B | A..... |
| C | 888 | 87-010-401-080 | CAP, ELECT 1-50V | A..... |
| C | 887 | 87-010-401-080 | CAP, ELECT 1-50V | A..... |
| C | 893 | 87-010-196-080 | CHIP CAPACITOR,0.1-25 | A..... |
| C | 894 | 87-010-196-080 | CHIP CAPACITOR,0.1-25 | A..... |
| C | 891 | 87-010-993-080 | C-CAP,S 0.056-25 B | A..... |
| C | 892 | 87-010-993-080 | C-CAP,S 0.056-25 B | A..... |
| CN | 802 | 87-A60-688-010 | CONN,4P H GRY TUC-P04X-C1 | A..... |
| CN | 892 | 87-049-919-010 | CONN,3P EH V WHT | A..... |
| CN | 891 | 87-099-043-010 | CONN 2P EH | A..... |
| L | 892 | 87-003-383-010 | COIL,1UH-S | A..... |
| L | 891 | 87-003-383-010 | COIL,1UH-S | A..... |
| Q | 872 | 87-A30-257-080 | C-TR,2SD1306E | A..... |
| Q | 871 | 87-A30-257-080 | C-TR,2SD1306E | A..... |
| Q | 209 | 87-010-322-080 | C-CAP,S 100P-50 CH | A..... |
| Q | 204 | 87-010-405-080 | CAP, ELECT 10-50V | A..... |
| Q | 203 | 87-010-405-080 | CAP, ELECT 10-50V | A..... |
| Q | 208 | 87-010-408-080 | CAP, ELECT 47-50V | A..... |
| Q | 207 | 87-010-408-080 | CAP, ELECT 47-50V | A..... |
| Q | 211 | 87-010-260-080 | CAP, ELECT 47-25V | A..... |
| Q | 212 | 87-010-260-080 | CAP, ELECT 47-25V | A..... |
| Q | 210 | 87-010-322-080 | C-CAP,S 100P-50 CH | A..... |

ELECTRICAL PARTS LIST-9/10

| | | | | |
|----|-----|----------------|-------------------------|--------|
| C | 219 | 87-012-368-080 | C-CAP,S 0.1-50 F | A..... |
| C | 213 | 87-A10-812-080 | C-CAP,S 220P-200 J CH | A..... |
| C | 214 | 87-A10-812-080 | C-CAP,S 220P-200 J CH | A..... |
| C | 221 | 87-010-178-080 | CHIP CAP 1000P | A..... |
| C | 222 | 87-010-178-080 | CHIP CAP 1000P | A..... |
| C | 220 | 87-012-368-080 | C-CAP,S 0.1-50 F | A..... |
| C | 299 | 87-010-197-080 | CAP,CHIP 0.01 DM | A..... |
| C | 306 | 87-010-185-080 | C-CAP,S 3900P-50 B | A..... |
| C | 305 | 87-010-185-080 | C-CAP,S 3900P-50 B | A..... |
| C | 309 | 87-010-322-080 | C-CAP,S 100P-50 CH | A..... |
| C | 308 | 87-010-403-080 | CAP, ELECT 3.3-50V | A..... |
| C | 304 | 87-010-403-080 | CAP, ELECT 3.3-50V | A..... |
| C | 307 | 87-010-403-080 | CAP, ELECT 3.3-50V | A..... |
| C | 303 | 87-010-403-080 | CAP, ELECT 3.3-50V | A..... |
| C | 314 | 87-010-260-080 | CAP, ELECT 47-25V | A..... |
| C | 313 | 87-010-260-080 | CAP, ELECT 47-25V | A..... |
| C | 310 | 87-010-322-080 | C-CAP,S 100P-50 CH | A..... |
| C | 319 | 87-012-368-080 | C-CAP,S 0.1-50 F | A..... |
| C | 312 | 87-A10-946-080 | C-CAP,S 220P-100 J CH | A..... |
| C | 311 | 87-A10-946-080 | C-CAP,S 220P-100 J CH | A..... |
| C | 322 | 87-010-186-080 | CAP,CHIP 4700P | A..... |
| C | 321 | 87-010-186-080 | CAP,CHIP 4700P | A..... |
| C | 320 | 87-012-368-080 | C-CAP,S 0.1-50 F | A..... |
| C | 405 | 87-010-184-080 | CHIP CAPACITOR 3300P(K) | A..... |
| C | 409 | 87-010-322-080 | C-CAP,S 100P-50 CH | A..... |
| C | 407 | 87-010-403-080 | CAP, ELECT 3.3-50V | A..... |
| C | 403 | 87-010-404-040 | CAP,E 4.7-50 SME | A..... |
| C | 413 | 87-010-260-080 | CAP, ELECT 47-25V | A..... |
| C | 419 | 87-012-368-080 | C-CAP,S 0.1-50 F | A..... |
| C | 411 | 87-A10-946-080 | C-CAP,S 220P-100 J CH | A..... |
| C | 421 | 87-010-186-080 | CAP,CHIP 4700P | A..... |
| C | 502 | 87-012-368-080 | C-CAP,S 0.1-50 F | A..... |
| C | 501 | 87-016-299-080 | CAP,E 10-100 SME | A..... |
| C | 503 | 87-016-299-080 | CAP,E 10-100 SME | A..... |
| CN | 101 | 87-A60-727-010 | CONN,13P JL-R | A..... |
| CN | 102 | 87-A60-727-010 | CONN,13P JL-R | A..... |
| D | 201 | 87-020-465-080 | DIODE,1SS133 (110MA) | A..... |
| D | 209 | 87-020-465-080 | DIODE,1SS133 (110MA) | A..... |
| D | 202 | 87-020-465-080 | DIODE,1SS133 (110MA) | A..... |
| D | 205 | 87-020-465-080 | DIODE,1SS133 (110MA) | A..... |
| D | 206 | 87-020-465-080 | DIODE,1SS133 (110MA) | A..... |
| D | 207 | 87-A40-488-080 | DIODE,1SS244 | A..... |
| D | 208 | 87-A40-488-080 | DIODE,1SS244 | A..... |
| D | 212 | 87-020-331-080 | CHIP-DIODE,DAN202K | A..... |
| D | 210 | 87-020-465-080 | DIODE,1SS133 (110MA) | A..... |
| D | 295 | 87-020-465-080 | DIODE,1SS133 (110MA) | A..... |
| D | 297 | 87-020-465-080 | DIODE,1SS133 (110MA) | A..... |
| D | 299 | 87-020-465-080 | DIODE,1SS133 (110MA) | A..... |
| D | 293 | 87-020-465-080 | DIODE,1SS133 (110MA) | A..... |
| D | 296 | 87-020-465-080 | DIODE,1SS133 (110MA) | A..... |
| D | 298 | 87-020-465-080 | DIODE,1SS133 (110MA) | A..... |
| D | 306 | 87-020-465-080 | DIODE,1SS133 (110MA) | A..... |
| D | 302 | 87-020-465-080 | DIODE,1SS133 (110MA) | A..... |
| D | 301 | 87-020-465-080 | DIODE,1SS133 (110MA) | A..... |
| D | 305 | 87-020-465-080 | DIODE,1SS133 (110MA) | A..... |
| D | 309 | 87-A40-488-080 | DIODE,1SS244 | A..... |
| D | 312 | 87-A40-270-080 | C-DIODE,MC2838 | A..... |
| D | 310 | 87-A40-488-080 | DIODE,1SS244 | A..... |
| D | 405 | 87-020-465-080 | DIODE,1SS133 (110MA) | A..... |
| D | 409 | 87-020-465-080 | DIODE,1SS133 (110MA) | A..... |
| D | 401 | 87-020-465-080 | DIODE,1SS133 (110MA) | A..... |
| D | 411 | 87-A40-488-080 | DIODE,1SS244 | A..... |
| D | 502 | 87-070-136-080 | ZENER,MTZJ5.1B | A..... |
| D | 501 | 87-070-136-080 | ZENER,MTZJ5.1B | A..... |
| D | 507 | 87-A40-274-010 | DIODE,FMB-G16L | A..... |
| D | 504 | 87-A40-274-010 | DIODE,FMB-G16L | A..... |
| D | 509 | 87-A40-345-080 | ZENER,MTZJ10C | A..... |
| D | 503 | 87-A40-345-080 | ZENER,MTZJ10C | A..... |
| D | 514 | 87-020-465-080 | DIODE,1SS133 (110MA) | A..... |
| D | 513 | 87-020-465-080 | DIODE,1SS133 (110MA) | A..... |
| D | 512 | 87-020-465-080 | DIODE,1SS133 (110MA) | A..... |
| D | 511 | 87-020-465-080 | DIODE,1SS133 (110MA) | A..... |
| D | 510 | 87-020-465-080 | DIODE,1SS133 (110MA) | A..... |
| Q | 101 | 89-213-702-010 | TR,2SB1370 (1.8W) | A..... |
| Q | 102 | 89-213-702-010 | TR,2SB1370 (1.8W) | A..... |
| Q | 204 | 87-A30-076-080 | C-TR,2SC3052F | A..... |
| Q | 206 | 87-A30-076-080 | C-TR,2SC3052F | A..... |
| Q | 205 | 87-A30-076-080 | C-TR,2SC3052F | A..... |
| Q | 203 | 87-A30-076-080 | C-TR,2SC3052F | A..... |
| Q | 207 | 87-A30-268-040 | C-TR,2SA1514K(S) | A..... |
| Q | 202 | 87-A30-268-040 | C-TR,2SA1514K(S) | A..... |
| Q | 208 | 87-A30-268-040 | C-TR,2SA1514K(S) | A..... |
| Q | 201 | 87-A30-268-040 | C-TR,2SA1514K(S) | A..... |
| Q | 219 | 87-A30-097-010 | TR, FN 1016 | A..... |
| Q | 213 | 87-A30-098-010 | TR, FP 1016 | A..... |
| Q | 214 | 87-A30-098-010 | TR, FP 1016 | A..... |
| Q | 223 | 87-A30-076-080 | C-TR,2SC3052F | A..... |
| Q | 226 | 87-A30-076-080 | C-TR,2SC3052F | A..... |
| Q | 225 | 87-A30-076-080 | C-TR,2SC3052F | A..... |
| Q | 224 | 87-A30-076-080 | C-TR,2SC3052F | A..... |
| Q | 220 | 87-A30-097-010 | TR, FN 1016 | A..... |
| Q | 222 | 87-A30-106-070 | C-TR,CMBT5551 | A..... |

ELECTRICAL PARTS LIST-10/10

| | | | | |
|----|-----|----------------|-------------------|--------|
| Q | 221 | 87-A30-106-070 | C-TR,CMBT5551 | A..... |
| Q | 298 | 87-A30-268-040 | C-TR,2SA1514K(S) | A..... |
| Q | 302 | 87-A30-075-080 | C-TR,2SA1235F | A..... |
| Q | 307 | 87-A30-075-080 | C-TR,2SA1235F | A..... |
| Q | 308 | 87-A30-075-080 | C-TR,2SA1235F | A..... |
| Q | 301 | 87-A30-075-080 | C-TR,2SA1235F | A..... |
| Q | 305 | 87-A30-076-080 | C-TR,2SC3052F | A..... |
| Q | 304 | 87-A30-076-080 | C-TR,2SC3052F | A..... |
| Q | 306 | 87-A30-076-080 | C-TR,2SC3052F | A..... |
| Q | 303 | 87-A30-076-080 | C-TR,2SC3052F | A..... |
| Q | 317 | 87-A30-119-040 | C-TR,2SC3906K R | A..... |
| Q | 318 | 87-A30-119-040 | C-TR,2SC3906K R | A..... |
| Q | 312 | 87-A30-190-080 | TR,CC5551 | A..... |
| Q | 311 | 87-A30-190-080 | TR,CC5551 | A..... |
| Q | 314 | 87-A30-214-010 | TR,2SB1344 | A..... |
| Q | 313 | 87-A30-214-010 | TR,2SB1344 | A..... |
| Q | 316 | 87-A30-215-010 | TR,2SD2025 | A..... |
| Q | 315 | 87-A30-215-010 | TR,2SD2025 | A..... |
| Q | 324 | 87-A30-076-080 | C-TR,2SC3052F | A..... |
| Q | 323 | 87-A30-076-080 | C-TR,2SC3052F | A..... |
| Q | 326 | 87-A30-076-080 | C-TR,2SC3052F | A..... |
| Q | 325 | 87-A30-076-080 | C-TR,2SC3052F | A..... |
| Q | 407 | 87-A30-075-080 | C-TR,2SA1235F | A..... |
| Q | 401 | 87-A30-075-080 | C-TR,2SA1235F | A..... |
| Q | 405 | 87-A30-076-080 | C-TR,2SC3052F | A..... |
| Q | 403 | 87-A30-076-080 | C-TR,2SC3052F | A..... |
| Q | 417 | 87-A30-119-040 | C-TR,2SC3906K R | A..... |
| Q | 413 | 87-A30-214-010 | TR,2SB1344 | A..... |
| Q | 415 | 87-A30-215-010 | TR,2SD2025 | A..... |
| Q | 425 | 87-A30-076-080 | C-TR,2SC3052F | A..... |
| Q | 423 | 87-A30-076-080 | C-TR,2SC3052F | A..... |
| Q | 503 | 87-A30-072-080 | C-TR,RT1P 144C | A..... |
| Q | 506 | 87-A30-074-080 | C-TR,RT1P 141C | A..... |
| Q | 505 | 87-A30-075-080 | C-TR,2SA1235F | A..... |
| Q | 504 | 87-A30-076-080 | C-TR,2SC3052F | A..... |
| Q | 502 | 87-A30-186-010 | FET,2SK3053 | A..... |
| Q | 501 | 87-A30-186-010 | FET,2SK3053 | A..... |
| Q | 507 | 87-A30-268-040 | C-TR,2SA1514K(S) | A..... |
| R | 225 | 87-A00-257-080 | RES,M/F 0.15-1W J | A..... |
| R | 227 | 87-A00-257-080 | RES,M/F 0.15-1W J | A..... |
| R | 226 | 87-A00-257-080 | RES,M/F 0.15-1W J | A..... |
| R | 228 | 87-A00-257-080 | RES,M/F 0.15-1W J | A..... |
| R | 239 | 87-A00-257-080 | RES,M/F 0.15-1W J | A..... |
| R | 242 | 87-A00-257-080 | RES,M/F 0.15-1W J | A..... |
| R | 326 | 87-A00-258-080 | RES,M/F 0.22-1W J | A..... |
| R | 328 | 87-A00-258-080 | RES,M/F 0.22-1W J | A..... |
| R | 325 | 87-A00-258-080 | RES,M/F 0.22-1W J | A..... |
| R | 327 | 87-A00-258-080 | RES,M/F 0.22-1W J | A..... |
| R | 339 | 87-A00-258-080 | RES,M/F 0.22-1W J | A..... |
| R | 340 | 87-A00-258-080 | RES,M/F 0.22-1W J | A..... |
| R | 427 | 87-A00-258-080 | RES,M/F 0.22-1W J | A..... |
| R | 429 | 87-A00-258-080 | RES,M/F 0.22-1W J | A..... |
| R | 441 | 87-A00-258-080 | RES,M/F 0.22-1W J | A..... |
| TH | 202 | 87-A91-042-080 | C-THMS,100K 55001 | A..... |
| TH | 201 | 87-A91-042-080 | C-THMS,100K 55001 | A..... |

ELECTRICAL MAIN PARTS LIST - 2/3 (TUNER: ZZA-1)

| | | | | | |
|-----|-----|----------------|----|---------------------------|----------|
| C | 785 | 87-010-401-080 | 0E | CAP, ELECT 1-50V | ABC..... |
| C | 786 | 87-010-405-080 | 0E | CAP, ELECT 10-50V | ABC..... |
| C | 785 | 87-010-405-080 | 0E | CAP, ELECT 10-50V | ABC..... |
| C | 785 | 87-010-494-080 | 0E | CAP ELECT GAS 1/50 | |
| C | 786 | 87-010-494-080 | 0E | CAP ELECT GAS 1/50 | |
| C | 787 | 87-012-275-080 | 0E | C-CAP,U 1200P-50 B | ABC..... |
| C | 788 | 87-012-275-080 | 0E | C-CAP,U 1200P-50 B | ABC..... |
| C | 784 | 87-012-286-080 | 0E | CAP, U 0.01-25 | ABC..... |
| C | 796 | 87-010-403-080 | 0E | CAP, ELECT 3.3-50V | ABC..... |
| C | 794 | 87-010-406-080 | 0E | CAP, ELECT 22-50 | ABC..... |
| C | 795 | 87-010-596-080 | 0E | CAP, S 0.047-16 | ..C..... |
| C | 793 | 87-012-273-080 | 0E | C-CAP,U 820P-50 B | ABC..... |
| C | 797 | 87-012-276-080 | 0E | CAP, CHIP SS 1500 PBK | A..... |
| C | 798 | 87-012-276-080 | 0E | CAP, CHIP SS 1500 PBK | A..... |
| D | 771 | 87-020-465-080 | 0E | DIODE,1SS133 (110MA) | ABC..... |
| D | 773 | 87-A40-291-080 | 0E | DIODE,1N4148 (CPT) | |
| IC | 771 | 87-A20-913-010 | 1D | IC,LA1837NL | ABC..... |
| L | 771 | 87-A50-266-010 | 1A | COIL,FM DET-2N(TOK) | ABC..... |
| L | 772 | 87-A90-052-010 | 1C | FLTR,CFMT-450A(TOK) | |
| L | 772 | 87-A90-053-010 | 1C | FLTR,PCFMT-060(TOK) | AB..... |
| L | 772 | 87-A90-733-010 | 1A | FLTR,PCFAZH-450 (TOK) | |
| L | 772 | 87-A91-110-010 | | FLTR,PCFJZH-450 (TOK) | ..C..... |
| L | 781 | 87-005-847-080 | 0E | COIL,2.2UH(CECS) | |
| L | 792 | 87-A50-027-010 | 1A | COIL,1 POLE MPX(TOK) | |
| L | 791 | 87-A50-027-010 | 1A | COIL,1 POLE MPX(TOK) | |
| X | 771 | 87-030-354-010 | 1A | VIB,CF BFU 450C | |
| C | 859 | 87-012-286-080 | 0E | CAP, U 0.01-25 | |
| C | 865 | 87-010-196-080 | 0E | CHIP CAPACITOR,0.1-25 | |
| C | 866 | 87-010-405-080 | 0E | CAP, ELECT 10-50V | |
| C | 864 | 87-010-405-080 | 0E | CAP, ELECT 10-50V | |
| C | 869 | 87-012-180-080 | 0E | C-CAP,U 22P-50 CH | |
| C | 868 | 87-012-184-080 | 0E | C-CAP,U 33P-50 CH | |
| C | 862 | 87-012-199-080 | 0E | CAP 220P | |
| C | 861 | 87-012-199-080 | 0E | CAP 220P | |
| C | 863 | 87-012-270-080 | 0E | CAP, U 470P-50 | |
| C | 867 | 87-012-286-080 | 0E | CAP, U 0.01-25 | |
| IC | 851 | 87-A20-440-040 | 1H | C-IC,BU1920FS | |
| L | 851 | 87-005-847-080 | 0E | COIL,2.2UH(CECS) | |
| Q | 853 | 87-A30-076-080 | 0E | C-TR,2SC3052F | |
| X | 851 | 87-A70-091-010 | 1B | VIB,XTAL 4.332MHZ CSA-309 | |
| C | 820 | 87-010-260-080 | 0E | CAP, ELECT 47-25V | ABC..... |
| C | 942 | 87-012-172-080 | 0E | CAPACITOR CHIP U 10P CH | |
| C | 941 | 87-012-180-080 | 0E | C-CAP,U 22P-50 CH | |
| C | 947 | 87-012-286-080 | 0E | CAP, U 0.01-25 | ABC..... |
| C | 940 | 87-012-286-080 | 0E | CAP, U 0.01-25 | ABC..... |
| C | 944 | 87-014-049-080 | 0E | CAP,PP 470P-100 J | |
| C | 944 | 87-014-051-080 | 0E | CAPACITOR (PP), 560P | |
| C | 949 | 87-A10-039-080 | 0E | C-CAP,U 470P-50 J CH | |
| C | 958 | 87-010-197-080 | 0E | CAP, CHIP 0.01 DM | |
| C | 956 | 87-010-263-080 | 0E | CAP, ELECT 100-10V | |
| C | 959 | 87-010-831-080 | 0E | C-CAP,U,0.1-16F | |
| C | 952 | 87-012-286-080 | 0E | CAP, U 0.01-25 | ABC..... |
| C | 954 | 87-012-358-080 | 0E | C-CAP,S 0.47-10 F Z | |
| C | 950 | 87-014-073-080 | 0E | CAP,PP 4700P-100 J | |
| C | 963 | 87-010-196-080 | 0E | CHIP CAPACITOR,0.1-25 | ABC..... |
| C | 962 | 87-010-401-080 | 0E | CAP, ELECT 1-50V | |
| C | 964 | 87-012-170-080 | 0E | C-CAP,U 8P-50 CH | A..... |
| C | 961 | 87-012-174-080 | 0E | CAP CHIP CERA SS 12P CHJ | .BC..... |
| C | 960 | 87-012-350-080 | 0E | C-CAP,1-25 F | |
| CF | 802 | 82-785-747-010 | 1A | CF MS2 GHY R | |
| CF | 802 | 87-008-261-010 | 1A | FILTER, SFE10.7MA5-A | ABC..... |
| CF | 801 | 87-008-261-010 | 1A | FILTER, SFE10.7MA5-A | ABC..... |
| CF | 801 | 87-008-423-010 | 1A | CERAMIC FILTER, SFE10.7 | |
| D | 944 | 87-020-465-080 | 0E | DIODE,1SS133 (110MA) | |
| D | 942 | 87-A40-270-080 | 0E | C-DIODE,MC2838 | |
| FFE | 801 | A8-6ZA-190-030 | 0E | 6ZA-1 FEUNM | |
| FFE | 801 | A8-6ZA-191-130 | | 6ZA-1 FEENM | |
| FFE | 801 | A8-6ZA-192-030 | 2Y | 6ZA-1 FEJNM | .B..... |
| FFE | 801 | A8-6ZA-199-170 | | 6ZA-1 FEENC | |
| FFE | 801 | A8-6ZA-19A-070 | | 6ZA-1 FEJNC | |
| FFE | 801 | A8-6ZA-19D-070 | 1H | 6ZA-1 YFEJNC | A..... |
| FFE | 801 | A8-8ZA-190-030 | | 8ZA-1 FEUNM | ..C..... |
| FFE | 801 | A8-8ZA-192-070 | | 8ZA-1 FEUNC | |
| FFE | 801 | A8-8ZA-193-070 | 1E | 8ZA-1 YFEUNC | |
| J | 801 | 87-033-241-010 | 1B | TERMINAL,ANT AJ-2039 | |
| J | 801 | 87-A60-702-010 | 1B | TERMINAL,ANT 4P CJ-9036 | ABC..... |
| J | 801 | 87-A60-703-010 | 1A | TERMINAL,ANT 3P CJ-9037 | |
| J | 940 | 81-754-629-010 | 0E | CONNECTOR, 2P | |
| L | 832 | 87-005-847-080 | 0E | COIL,2.2UH(CECS) | |
| L | 943 | 87-005-372-080 | 0E | COIL,S 1MHM | |
| L | 942 | 87-A50-019-010 | 0E | COIL,OSC LW(COI) | |
| L | 941 | 87-A50-020-010 | 0E | COIL,ANT LW(COI) | |
| L | 941 | 87-A50-022-010 | 0E | COIL,ANT SW(COI) | |
| L | 944 | 87-A50-159-010 | 0E | COIL,10MH K C2B | |
| L | 942 | 87-A50-173-010 | 0E | COIL,OSC SW-N(COI) | |
| L | 943 | 87-A50-432-010 | | COIL,1MH K CW | |
| L | 981 | 87-A50-430-010 | | COIL,ANT MW(3BSW) | |
| L | 982 | 87-A50-431-010 | | COIL,OSC MW(3BSW) | |
| L | 981 | 87-NF4-650-010 | 1D | COIL,AM PACK 4N(TOK) | A..... |
| L | 981 | 87-NF4-651-010 | 1C | COIL,AM PACK2N(TOM) | |
| L | 981 | 88-NF8-625-110 | 1D | COIL,AM PACK3N(TOK) | |
| L | 981 | 8Z-ZA1-664-010 | | COIL,AM PACK 4(TOK) | .BC..... |

ELECTRICAL MAIN PARTS LIST - 3/3 (TUNER: ZZA-1)

| | | | | | |
|-----|-----|----------------|----|-----------------------|----------|
| L | 981 | 8Z-ZA1-665-010 | | COIL,AM PACK 2(TOK) | |
| Q | 712 | 87-A30-072-080 | 0E | C-TR,RT1P 144C | ABC..... |
| Q | 805 | 89-327-143-080 | 0E | TR,2SC2714 (0.1W) | ABC..... |
| Q | 943 | 87-A30-075-080 | 0E | C-TR,2SA1235F | |
| Q | 942 | 87-A30-075-080 | 0E | C-TR,2SA1235F | |
| Q | 949 | 87-A30-076-080 | 0E | C-TR,2SC3052F | |
| Q | 945 | 87-A30-076-080 | 0E | C-TR,2SC3052F | |
| Q | 944 | 87-A30-076-080 | 0E | C-TR,2SC3052F | |
| Q | 948 | 87-A30-086-070 | 0E | C-TR,CSD1306E | |
| Q | 947 | 89-503-602-080 | 1A | C-FET,2SK360E | |
| Q | 947 | 89-505-434-540 | 0E | C-FET,2SK543(4/5) | |
| Q | 951 | 87-A30-074-080 | 0E | C-TR,RT1P 141C | |
| SCR | 981 | 87-A40-618-080 | | VARI-CAP,SVC 348(S/T) | |
| TC | 942 | 87-011-164-010 | 0E | CAPACITOR,TRIMMER 30P | |
| TC | 941 | 87-011-173-010 | 1A | CERAMIC TRIMMER 20P | |
| TC | 941 | 87-011-220-080 | 1A | TRIMMER CAP 20P VTC | |
| TC | 943 | 87-011-221-080 | 1A | CAP, TRIMMER 30P | |

MECHANICAL PARTS LIST-1/1

NOTE: The characters in the suffix column indicate the part usage.

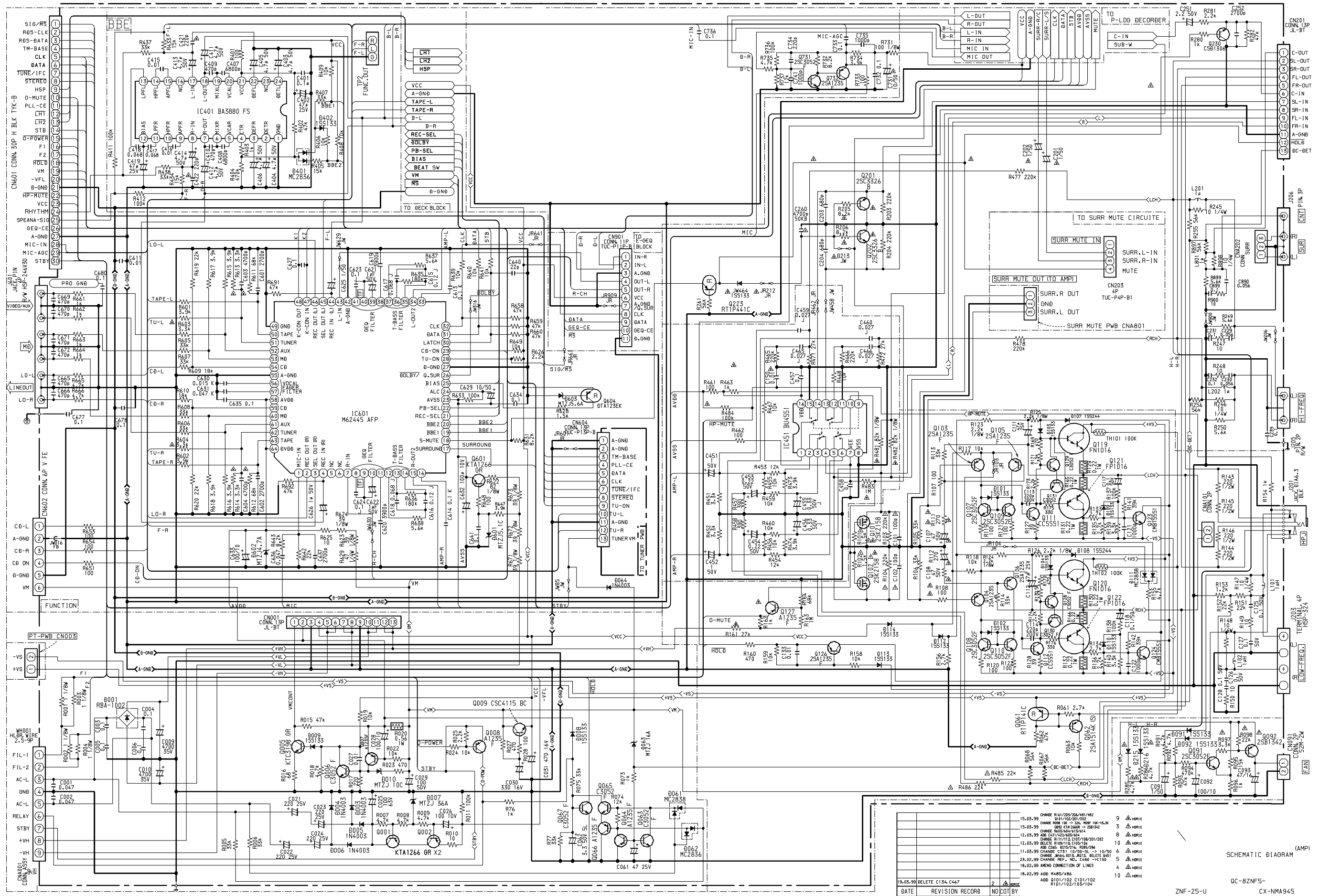
| REF.NO | PARTS NO. | XX KANRI NO. | DESCRIPTION | SUFFIX | |
|--------|----------------|--------------------|------------------------------|-------------------------|--------|
| | | | | A..... | |
| | 8Z-NF5-002-010 | | BOX,CASS 1 | A..... | |
| | 8Z-NF5-003-010 | | BOX,CASS 2 | A..... | |
| | 8Z-NF5-004-010 | | CABI,STEEL | A..... | |
| | 8Z-NF5-006-010 | | PANEL,TRAY | A..... | |
| | 8Z-NF5-007-010 | | PANEL,CASS 1 | A..... | |
| | 8Z-NF5-008-010 | | PANEL,CASS 2 | A..... | |
| | 8Z-NF5-010-010 | | WINDOW,CASS 1 | A..... | |
| | 8Z-NF5-011-010 | | WINDOW,CASS 2 | A..... | |
| | 8Z-NF5-012-010 | | PANEL,CD | A..... | |
| | 8Z-NF5-013-010 | | RING,VOL | A..... | |
| | 8Z-NF5-015-010 | | PANEL,JOG | A..... | |
| | 8Z-NF5-042-010 | | PANEL,FUN | A..... | |
| | 8Z-NF5-057-010 | | PANEL,DIRECT | A..... | |
| | 8Z-NF5-073-010 | | PANEL,DISC | A..... | |
| | 8Z-NFS-001-010 | | CABI,FR U | A..... | |
| | 8Z-NFS-002-010 | | PANEL,FR PRO | A..... | |
| | 8Z-NFS-006-010 | | CABI,REAR USTNM | A..... | |
| | 8Z-NFS-007-010 | | WINDOW,DISPLAY PRO | A..... | |
| | 8Z-NF5-014-010 | | KNOB,RTRY VOL | A..... | |
| | 8Z-NF5-016-010 | | KNOB,RTRY JOG | A..... | |
| | 8Z-NF5-018-010 | | KEY,ECHO | A..... | |
| | 8Z-NF5-020-010 | | KEY,ASSY POWER | A..... | |
| | 8Z-NF5-021-010 | | KEY,MIC | A..... | |
| | 8Z-NF5-022-010 | | KEY,OPEN | A..... | |
| | 8Z-NF5-030-010 | | KEY,DISC | A..... | |
| | 8Z-NF5-035-010 | | KEY,ASSY OPE | A..... | |
| | 8Z-NF5-050-010 | | KEY,ASSY JOG | A..... | |
| | 8Z-NFS-012-010 | | KEY,PRO | A..... | |
| | 8Z-NFS-015-010 | | KEY,FUN 5.1CH | A..... | |
| | 81-532-080-010 | | LABEL, CASS. COMPT | A..... | |
| | 86-NF6-061-010 | | REFLECTOR,CASS | A..... | |
| | 8Z-NF5-026-010 | | REFLECTOR,FUN | A..... | |
| | 8Z-NF5-027-010 | | REFLECTOR,CD | A..... | |
| | 87-NF6-616-010 | | CONN ASSY,8P RPB | A..... | |
| | 84-ZG1-245-210 | | CAP,OPTICAL | A..... | |
| | 82-NF5-218-010 | | SPR-T,EJECT 1 (SIN) | A..... | |
| | 82-NF5-219-010 | | SPR-T,EJECT 2 (SIN) | A..... | |
| | 82-NF5-229-010 | | PLATE,LOCK | A..... | |
| | 86-NF9-224-010 | | SPR-C,LOCK | A..... | |
| | 87-064-185-010 | | HLDR,WIRE | A..... | |
| | 87-NF4-216-010 | | HLDR,LOCK 1 | A..... | |
| | 87-NF4-217-110 | | HLDR,LOCK 2 | A..... | |
| | 87-NF4-221-010 | | HLDR,CABLE | A..... | |
| | 87-NF8-220-010 | | DMPR,150 | A..... | |
| | 88-NF5-208-010 | | HLDR,PWB-M N | A..... | |
| | 8Z-NF5-214-010 | | HLDR,HT F | A..... | |
| | 8Z-NF5-215-010 | | HLDR,HT R | A..... | |
| | 8Z-NF5-219-010 | | HLDR,FAN | A..... | |
| | 8Z-NF5-221-010 | | COVER, PWB PT | A..... | |
| * | 8Z-NFS-201-010 | | GUIDE,PRO | A..... | |
| | 87-067-584-010 | | TAPPING SCREW, BVT2+3-6 | A..... | |
| | 87-067-641-010 | | UTT2+3-8(W/O SLOT)BL | A..... | |
| | 87-067-688-010 | | BVTT+3-6 | A..... | |
| | 87-067-703-010 | | TAPPING SCREW, BVT2+3-10 | A..... | |
| | 87-067-758-010 | | BVT2+3-12 W/O SLOT | A..... | |
| | 87-078-191-010 | | S-SCREW,IT+4-10 | A..... | |
| | 87-591-094-410 | | TAPPING SCREW, QIT+3-6 | A..... | |
| | 87-591-095-410 | | TAPPING SCREW, QIT+3-8 (GLD) | A..... | |
| | 87-721-097-410 | | QT2+3-12 GLD | A..... | |
| | 87-723-096-410 | | QT2+3-10W/O SLOT BL | A..... | |
| | 87-NF4-224-010 | | S-SCREW,IT3B+3-8 CU | A..... | |
| | 87-085-185-010 | | BUSHING, AC CORD (E) | A..... | |
| | 87-A91-314-010 | | FAN,3110GL-B4W-B34-H02 | A..... | |
| | 88-906-301-110 | | FF-CABLE,6P-1.25 | A..... | |
| | 88-906-601-110 | | FF-CABLE, 6P 1.25 600MM | A..... | |
| | 88-913-551-110 | | FF-CABLE, 13P 1.25 550MM | A..... | |
| | 88-915-181-110 | | FF-CABLE,15P 1.25 | A..... | |
| PT | 1 | | 8Z-NFS-601-010 | PT,U ZNF-25 | A..... |
| W | 1 | | 87-A80-110-010 | AC CORD ASSY,U SPT-2W | A..... |
| | | | 88-NF5-204-010 | GUIDE,FL | A..... |
| | | | 87-067-579-010 | TAPPING SCREW, BVT2+3-8 | A..... |
| WH | 1 | | 87-A90-510-010 | HLDR,WIRE 2.5-9P | A..... |

ACCESSORIES / PACKAGE LIST-1/1

NOTE: The characters in the suffix column indicate the part usage.

| REF.NO | PARTS NO. | NO. | DESCRIPTION | SUFFIX |
|--------|----------------|-------|------------------|--------|
| USTM | | XX | | A |
| | | KANRI | | |
| | 8Z-NFS-903-010 | | IB,U(ESF)M | A |
| | 87-006-225-010 | | AM LOOP ANT NC2 | A |
| | 87-043-115-010 | | ANT,FEEDER FM | A |
| | 8Z-NFV-702-010 | | RC UNIT,RC-ZAS05 | A |

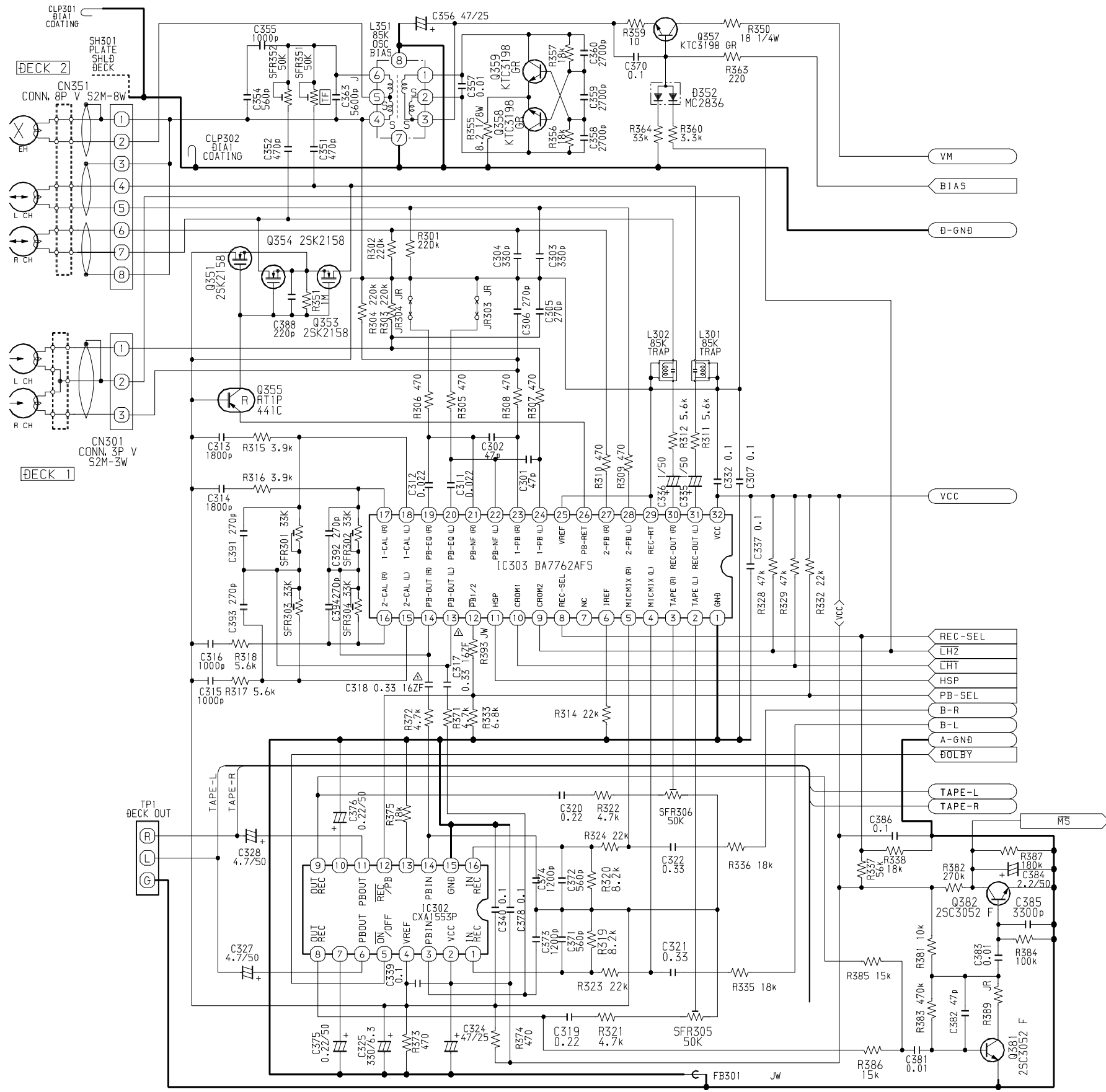
SCHEMATIC DIAGRAM - 1 (MAIN)



| DATE | REVISION | RECORD | NO | BY |
|----------|---|--------|----|----|
| 19.03.99 | DELETE C134 C447 | | 2 | |
| 15.05.99 | CHANGE R141/235/256/481/482 | | 9 | |
| 15.05.99 | CHANGE R108 1K -> 2K R109 100->5K | | 3 | |
| 15.05.99 | CHANGE Q202 KTA1266R -> 281342 | | 8 | |
| 12.05.99 | ADD C217/225/483/504 | | 10 | |
| 12.05.99 | CHANGE R117/115 100K/100K/200K | | 6 | |
| 12.05.99 | DELETE R109/115 C105/114 | | 10 | |
| 11.05.99 | CHANGE C731 10/50->10/50 | | 6 | |
| 28.02.99 | CHANGE REF. NO. C480 ->C150 | | 5 | |
| 18.02.99 | WREN CONNECTION OF LINES | | 4 | |
| 18.02.99 | ADD R485/486 | | 10 | |
| 18.02.99 | ADD Q101/Q102 C101/Q102 R101/Q102/103/104 | | 2 | |

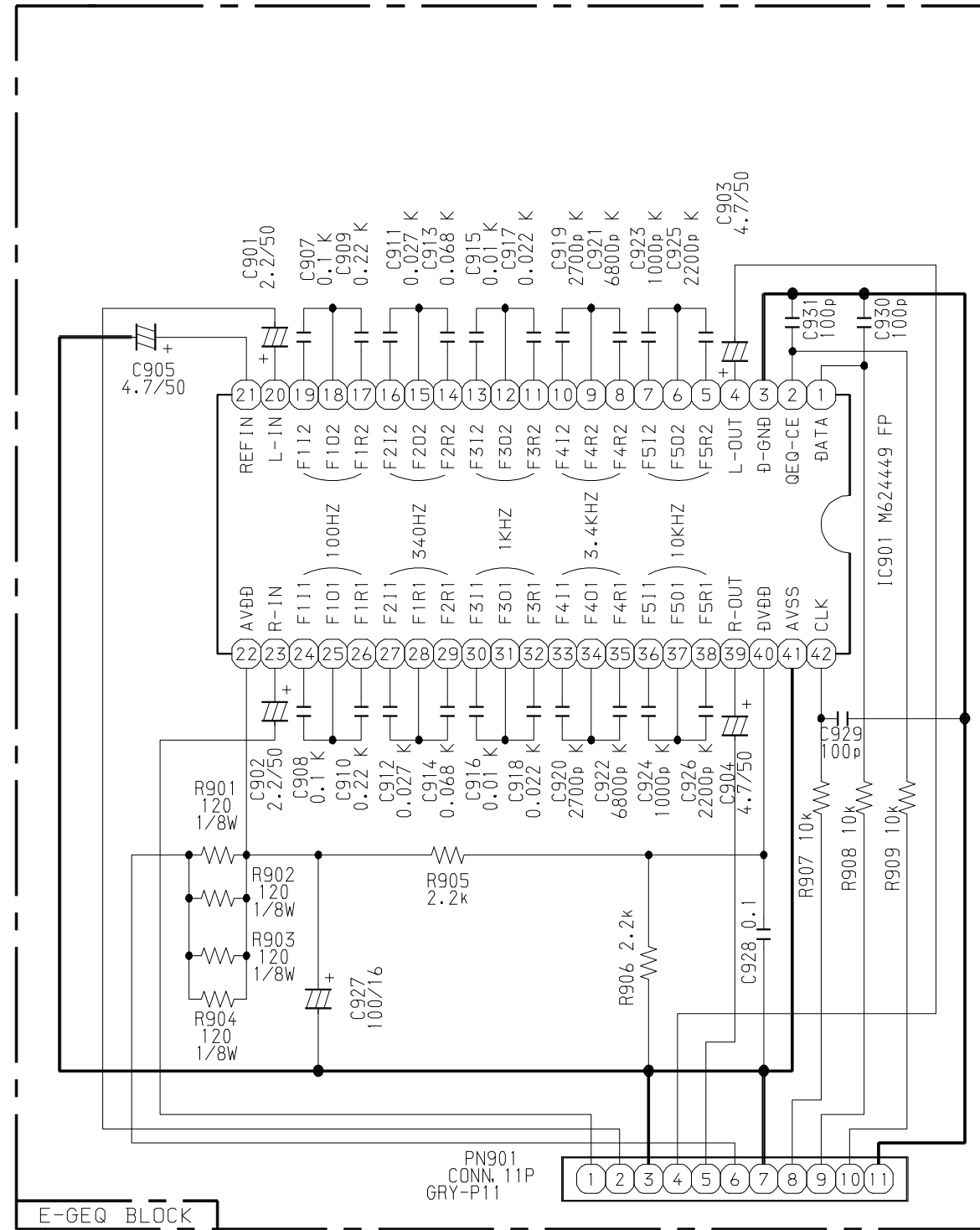
SCHEMATIC DIAGRAM (AMP)
 QC-8ZNF-5
 ZNF-25-U
 CX-NMA945
 19 MAR 1999

SCHEMATIC DIAGRAM - 3 (DECK)



T-ZNF-5MAIN-ALL (P2)

SCHEMATIC DIAGRAM - 4 (GEQ)



T-ZNF-5MAIN-ALL (P3)

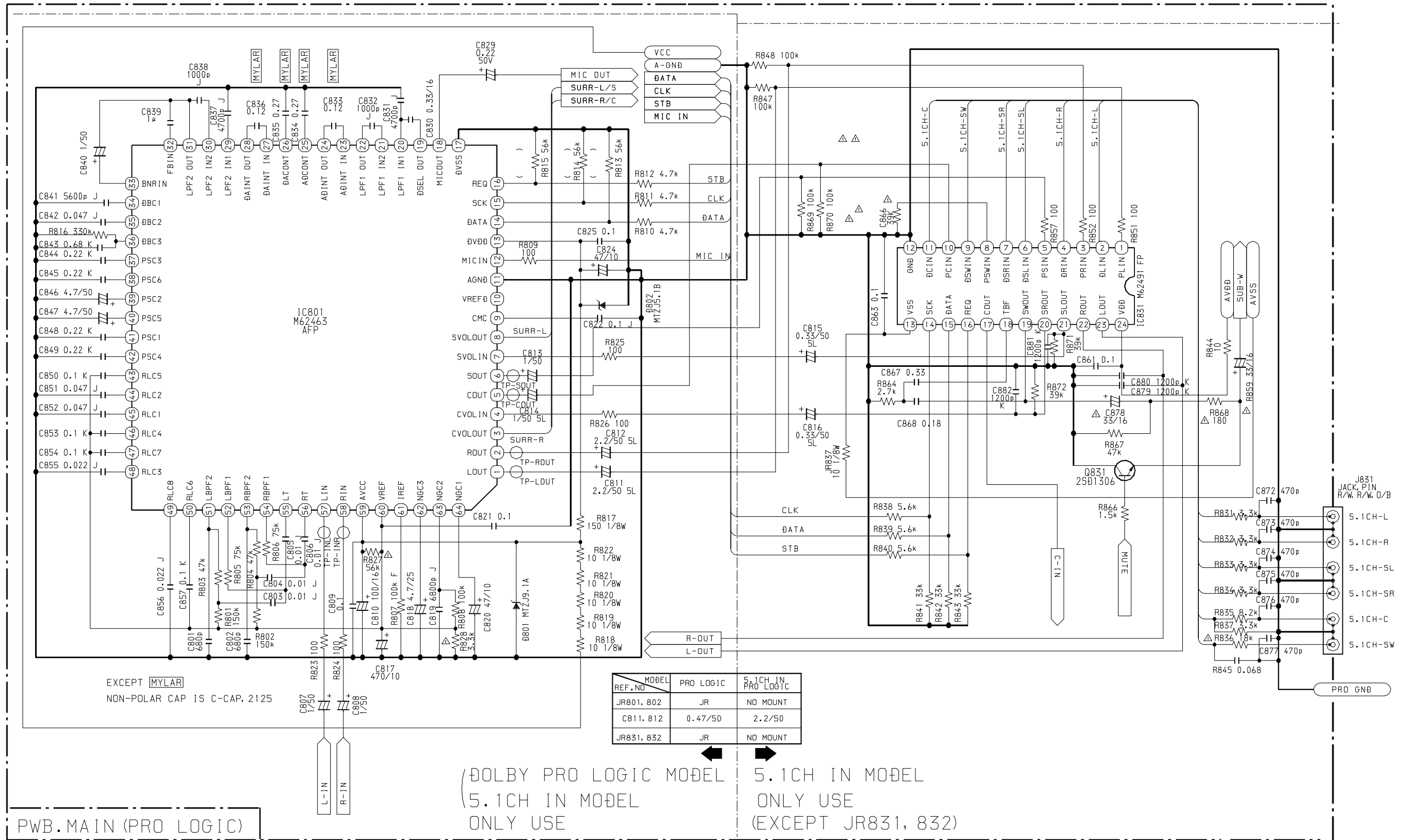
ZNF-25

QC-8ZNF5-

CX-NMA945

28 SEP 1998

SCHEMATIC DIAGRAM - 6 (PRO-LOGIC)



CHANGE R856/859/868, C866/878
15.03.99BELETE R849/850/861, C865
ADD R827/828

11 HORIE

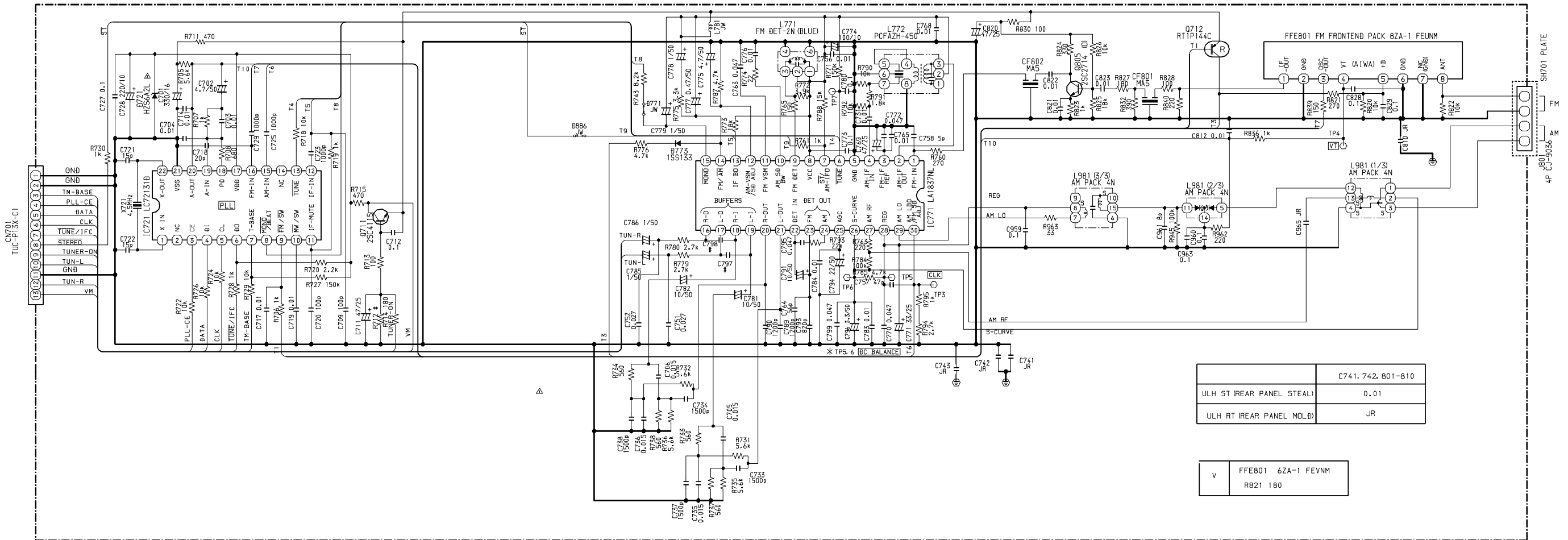
QC-8ZNF5-

ZNF-25

CX-NMA945

15 MAR 1999

SCHEMATIC DIAGRAM - 7 (TUNER)



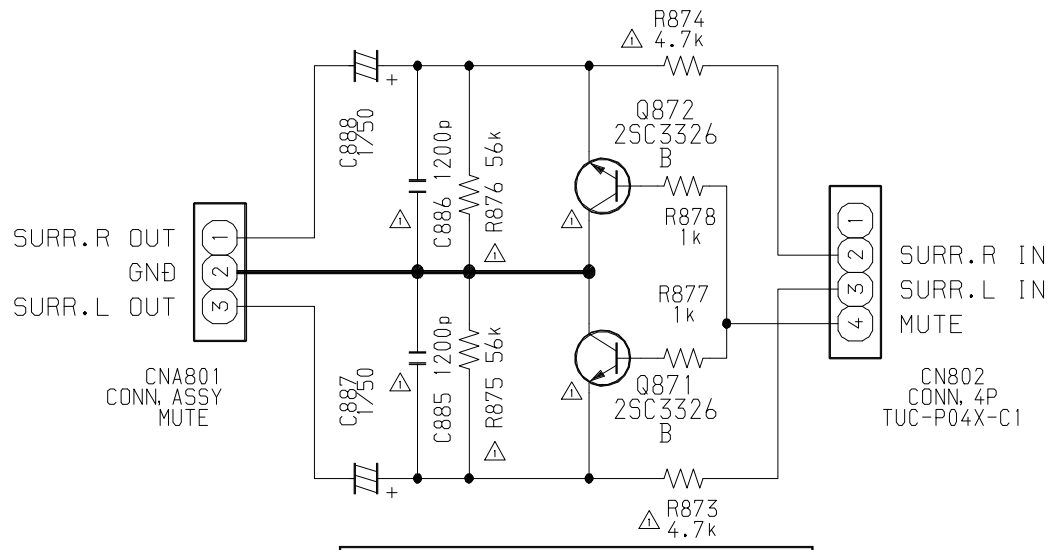
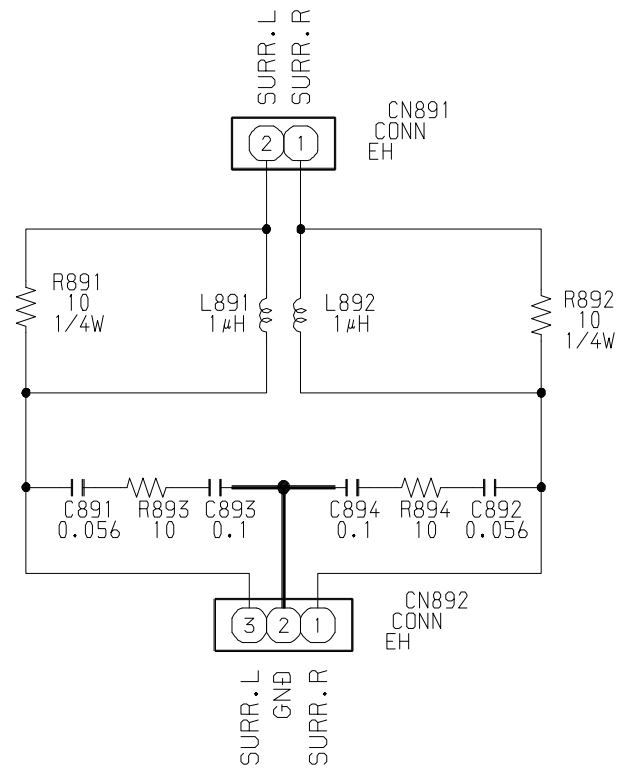
| | |
|---------------------------|--------------------|
| | C741, 742, 801-810 |
| ULH ST (REAR PANEL STEAL) | 0.01 |
| ULH RT (REAR PANEL MOLDB) | JR |

| | |
|---|--------------------|
| v | FFE801 6ZA-1 FEVNM |
| | R821 180 |

B-ZZA-1-ULH

94V0 t=1.6
 FENORIC 130c 82 2A1 621 11
 981021 CHANGE 0721 Δ
 MTZJ5.6A -> HZ56A2L
 981001 CANCEL C894 JR Δ
 QC-822A1-02-1
 04 06 98

SURR. OUT CIRCUITE



MUTE CIRCUITE

(MUTE/SURR. OUT)
SCHEMATIC DIAGRAM

15.03.99 CHANGE Q871/Q872 25D1306E->25C3326B
R873/R874/R875/R876, C885/R886 8 △ HORIE

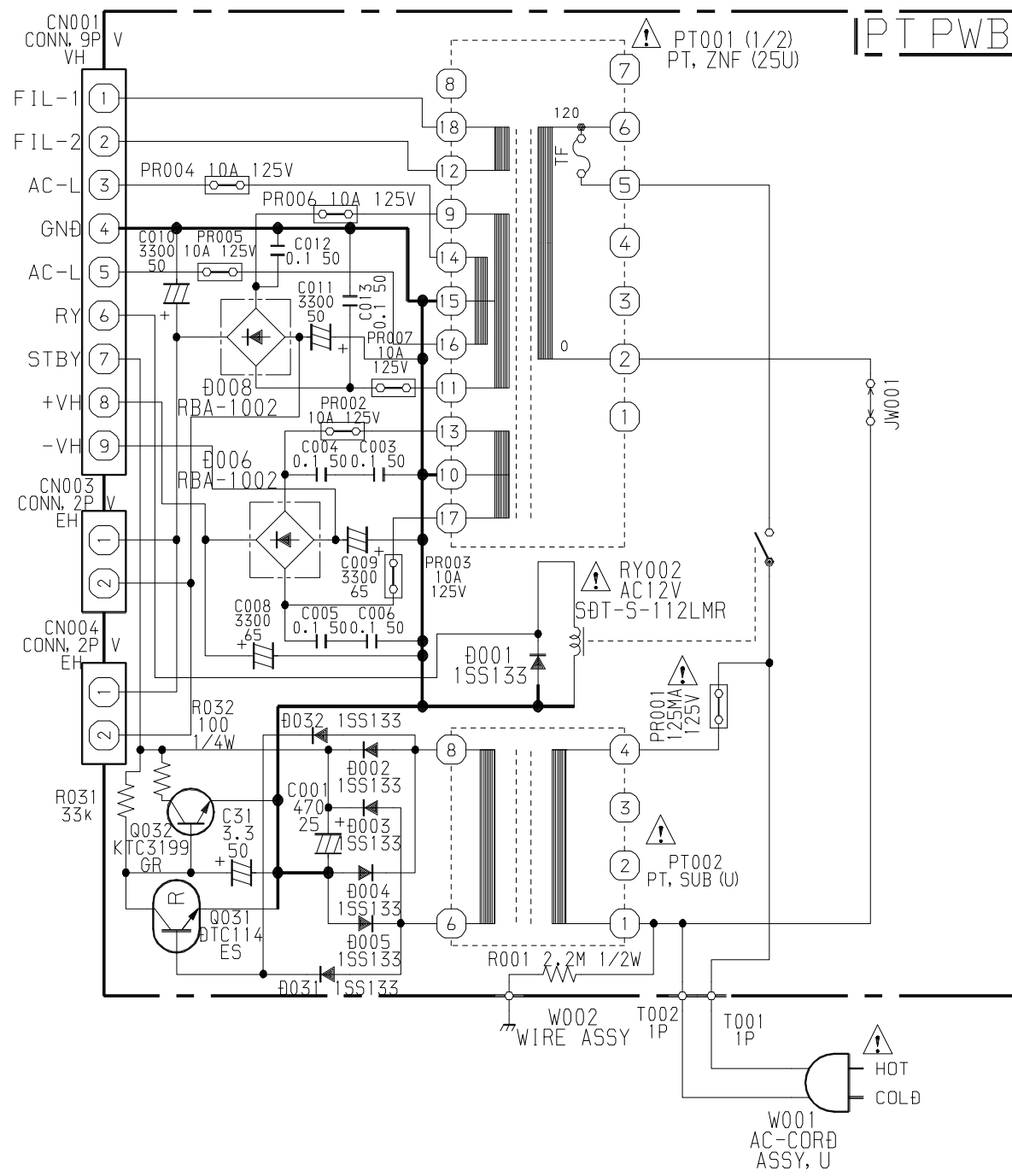
ZNF-25

QC-8ZNF5-

CX-NMA945

15 MAR 1999

SCHEMATIC DIAGRAM – 9 (PT)



(PT)
SCHEMATIC DIAGRAM

QC-8ZNF5-
ZNF-25-U CX-NMA945
05 FEB 1999

B-ZNF-25PT-U

| サービス技術ニュース | |
|------------|------|
| 番号 | 連絡内容 |
| G- - | |
| G- - | |
| G- - | |

アイワ株式会社
AIWA CO.,LTD.

9820527

Tokyo Japan

〒110-8710 東京都台東区池之端1-2-11 ☎03(3827)3111 (代表)

Printed in Singapore