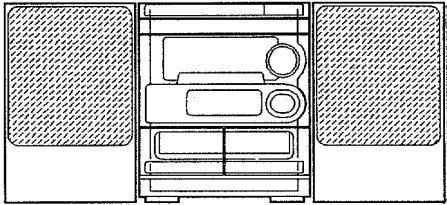


aiwa



NSX-AV75 NSX-NMT50 NSX-NMT55



COMPACT DISC STEREO
CASSETTE RECEIVER

- BASIC TAPE MECHANISM : 2ZM-3MK2 PR4NM
- BASIC CD MECHANISM : 4ZG-1 Z1DNM / Z1MD
- TYPE : EZ,K,LH,HR<AV75>, U<NMT50/55>

SYSTEM	SUB WOOFER	CD - CASSEIVER	SPEAKER
NSX-AV75 (TYPE : EZ,K,LH,HR)	NIL	CX - NAV75	SX - NAV75 SX - CR423
NSX-NMT50 (TYPE : U)	TS-WS35 (OPTIONAL)	CX - NMT50	SX - NA54 SX - R210 SX - C400
NSX-NMT55 (TYPE : U)	TS-WS35		

- If requiring information about the CD mechanism, see Service Manual of 4ZG-1, S/M Code No. 09-974-187-50T.
- If requiring information about the Sub woofer, see Service Manual of TS-WS35, S/M Code No. 09-976-204-00I.

TABLE OF CONTENTS

SPECIFICATIONS (U,LH,HR)	3
SPECIFICATIONS (EZ,K)	4
PROTECTION OF EYES FROM LASER BEAM DURING SERVICING	5
PRECAUTION TO REPLACE OPTICAL BLOCK	5
ELECTRICAL MAIN PARTS LIST	6 ~ 11
TRANSISTOR ILLUSTRATION	12
BLOCK DIAGRAM -1 (TUNER : U,LH)	13
BLOCK DIAGRAM -2 (TUNER : HR)	14
BLOCK DIAGRAM -3 (TUNER : EZ,K)	15
BLOCK DIAGRAM -4 (PRO)	16
BLOCK DIAGRAM -5 (MAIN / FRONT)	17, 18
WIRING - 1 (MAIN : U,LH)	19, 20
SCHEMATIC DIAGRAM - 1 (MAIN : U,LH)	21 ~ 23
SCHEMATIC DIAGRAM - 2 (MAIN : HR)	24 ~ 26
WIRING - 2 (MAIN : HR)	27, 28
WIRING - 3 (MAIN : EZ,K)	29, 30
SCHEMATIC DIAGRAM - 3 (MAIN : EZ,K)	31 ~ 33
SCHEMATIC DIAGRAM - 4 (FRONT)	34 ~ 36
WIRING - 4 (FRONT)	37, 38
WIRING - 5 (PRO : U,LH,HR)	39
SCHEMATIC DIAGRAM - 5 (PRO : U,LH,HR)	40
WIRING - 6 (PRO : EZ,K)	41
SCHEMATIC DIAGRAM - 6 (PRO : EZ,K)	42
WIRING - 7 (AC)	43
WIRING - 8 (DECK)	44
SCHEMATIC DIAGRAM - 7 (TUNER FRONT END :U,LH,HR)	45
FL GRID ASSIGNMENT & ANODE CONNECTION	46
IC BLOCK DIAGRAM	47 ~ 51
IC DESCRIPTION	52 ~ 56
ADJUSTMENT<TUNER / DECK>	57, 59
PRACTICAL SERVICE FIGURE	59
ACCESSORIES / PACKAGE LIST	60
MECHANICAL EXPLODED VIEW 1 / 1	61, 62
MECHANICAL PARTS LIST 1 / 1	63
TAPE MECHANISM EXPLODED VIEW 1 / 1	64, 65
TAPE MECHANISM PARTS LIST 1 / 1	66
SPEAKER DISASSEMBLY INSTRUCTION	67
SPEAKER PARTS LIST	68
SPRING APPLICATION POSITION	69
REFERENCE NAME LIST	70

SPECIFICATIONS (U,LH,HR)

<FM tuner section>

Tuning range 87.5 MHz to 108 MHz
Usable sensitivity (IHF) 13.2 dBf
Antenna terminals 75 ohms (unbalanced)

<AM/MW tuner section>

Tuning range 531 kHz to 1602 kHz (9 kHz step)
 530 kHz to 1710 kHz (10 kHz step)
Usable sensitivity 350 µV/m
Antenna Loop antenna

<SW tuner section>

Tuning range HR : 5.900 MHz to 17.900 MHz
Antenna Wire antenna

<Amplifier section>

Power output

Front

U : 60 W + 60 W (50 Hz - 20 kHz, THD less than 1%, 6 ohms)
 LH,HR : Rated : 75 W + 75 W (6 ohms, T.H.D. 1 %, 1 kHz)
 Reference : 100 W + 100 W (6 ohms, T.H.D. 10 %, 1 kHz)

Rear (Surround)

U : 10 W + 10 W (1 kHz, THD less than 1%, 16 ohms)
 LH,HR : Rated : 10 W + 10 W (1 kHz, T.H.D. 1%, 16 ohms)
 Reference : 12.5 W + 12.5 W (1 kHz, T.H.D. 10%, 16 ohms)

Center

U : 20 W (1 kHz, THD less than 1%, 8 ohms)
 LH,HR : Rated : 20 W (1 kHz, T.H.D. 1%, 8 ohms)
 Reference : 25 W (1 kHz, T.H.D. 10%, 8 ohms)

Total harmonic distortion

U : 0.05 % (50 W, 1 kHz, 6 ohms, DIN AUDIO)
 LH,HR : 0.05 % (60 W, 1 kHz, 6 ohms, DIN AUDIO)

Inputs

U : VIDEO/AUX : 150 mV (adjustable)
 MD : 150 mV (adjustable)
 MIC 1, MIC 2 : 1 mV (10 kohms)
 LH,HR : VIDEO /AUX : 210 mV (adjustable)
 MD : 210 mV (adjustable)
 MIC 1, MIC 2 : 1.4 mV (10 kohms)

Outputs

LINE OUT : 200 mV
 U : SUPER WOOFER : 1.9 V
 LH,HR : SUPER WOOFER : 2.1 V
 SPEAKERS: accept speakers of 6 ohms or more
 SURROUND SPEAKERS : accept speakers of 16 ohms or more
 CENTER SPEAKERS : accept speakers of 8 ohms or more
 PHONES (stereo jack) : accepts headphones of 32 ohms or more

<Cassette deck section>

Track format 4 tracks, 2 channels stereo
Frequency response CrO2 tape : 50 Hz - 16000 Hz
 Normal tape : 50 Hz -15000 Hz
Recording system AC bias
Heads Deck 1 : Playback head x 1
 Deck 2 : Recording/playback/erase head x 1

<Compact disc player section>

Laser Semiconductor laser (λ =780 nm)
D-A converter 1 bit dual
Signal-to-noise ratio 85 dB (1 kHz, 0 dB)
Harmonic distortion 0.05% (1 kHz, 0 dB)
Wow and flutter Unmeasurable

<Speaker system SX-NA54>

Cabinet type U : 3 way, bass reflex (magnetic shielded type)
Speakers Woofer : 160 mm (6³/₈ in.) cone type
 Tweeter : 80 mm (3¹/₄ in.) cone type
 Super tweeter : 20 mm (1³/₁₆ in.) ceramic type
Impedance 6 ohms
Output sound pressure level 87 dB/W/m
Dimensions (W x H x D) 243 x 304 x 227 mm (9⁵/₈ x 12 x 9 in.)
Weight 3.3 kg (7 lbs 4 oz.)

<Speaker system SX-NAV75>

LH,HR : **Cabinet type** 2 way, bass reflex (magnetic shielded type)
Speakers Woofer : 160 mm cone type
 Tweeter : 60 mm cone type
Impedance 6 ohms
Output sound pressure level 87 dB/W/m
Dimensions (W x H x D) 235 x 304 x 250 mm
Weight 4.2 kg

<General>

Power requirements U : 120 V AC, 60Hz
 LH,HR : 120 V / 220 - 230V / 240 V AC, switchable, 50 / 60 Hz
Power consumption U : 120 W
 LH,HR : 160 W
Dimensions of main unit (W x H x D) 260 x 309 x 346 mm (10¹/₄ x 12¹/₄ x 13⁵/₈ in.)
Weight of main unit U : 7.5 kg (16 lbs 9 oz.)
 LH,HR : 8.2kg

Design and specifications are subject to change without notice.

- The word "BBE" and the "BBE symbol" are trademarks of BBE Sound, Inc.
 Under license from BBE Sound, Inc.
- Manufactured under license from Dolby Laboratories Licensing Corporation.
 "DOLBY" and "PRO LOGIC" are trademarks of Dolby Laboratories Licensing Corporation.

SPECIFICATIONS (EZ,K)

<FM Tuner section>

Tuning range 87.5 MHz to 108 MHz
Usable sensitivity (IHF) 16.8 dBf
Antenna terminals 75 ohms (unbalanced)

<MW Tuner section>

Tuning range 531 kHz to 1602 kHz (9 kHz step)
 530 kHz to 1710 kHz (10 kHz step)
Usable sensitivity 350 μ V/m
Antenna Loop antenna

<LW Tuner section>

Tuning range 144 kHz ~ 290 kHz
Usable sensitivity 1400 μ V/m
Antenna Loop antenna

<Amplifier section>

Power output

Front
 Rated : 60 W + 60 W (6 ohms,
 T.H.D. 1 %, 1 kHz/DIN 45500)
 Reference : 80 W + 80 W (6 ohms,
 T.H.D. 10 %, 1 kHz/DIN 45324)
 EZ :
 DIN MUSIC POWER:150 W +
 150 W
Surround (Rear)
 EZ,K :
 Rated : 10 W + 10 W (16 ohms,
 T.H.D.1% 1kHz/DIN 45500)
 Reference : 12.5 W + 12.5 W
 (16 ohms, T.H.D. 10%, 1kHz/DIN
 45324)
Center
 Rated : 20 W (8 ohms, T.H.D. 1%
 1 kHz/DIN 45500)
 Reference : 25 W (8 ohms, T.H.D
 10%, 1 kHz/DIN 45324)
 EZ :

DIN MUSIC POWER: 50 W
 0.05 % (55 W, 1 kHz, 6 ohms,
 DIN AUDIO)
VIDEO/AUX : 150 mV (adjustable)
MD : 150 mV (adjustable)
MIC 1, MIC 2 : 1 mV (10 kohms)
LINE OUT : 200 mV
SPEAKERS: accept speakers of
 6 ohms or more
SURROUND SPEAKERS :
 accept speakers of 16 ohms or
 more
CENTER SPEAKERS :
 accept speakers of 8 ohms or
 more
PHONES (stereo jack) :
 accepts headphones of 32 ohms
 or more

Total harmonic distortion

Inputs

Outputs

<Cassette deck section>

Track format 4 tracks, 2 channels stereo
Frequency response CrO2 tape : 50 Hz - 16000 Hz
 Normal tape : 50 Hz -15000 Hz
Recording system AC bias
Heads Deck 1 : Playback head x 1
 Deck 2 : Recording/playback/
 erase head x 1

<Compact disc player section>


Laser Semiconductor laser (λ =780 nm)
D-A converter 1 bit dual
Signal-to-noise ratio 85 dB (1 kHz, 0 dB)
Harmonic distortion 0.05% (1 kHz, 0 dB)
Wow and flutter Unmeasurable

<Speaker system SX-NAV75>

Cabinet type 2 way, bass reflex (magnetic
 shielded type)
Speakers Woofer :
 160 mm cone type
 Tweeter :
 60 mm cone type
Impedance 6 ohms
Output sound pressure level 87 dB/W/m
Dimensions (W x H x D) 235 x 304 x 250 mm
Weight 4.2 kg

<General>

Power requirements 230 V AC, 50Hz
Power consumption 160 W
Dimensions of main unit 260 x 309 x 363 mm
(W x H x D)
Weight of main unit 8.2 kg

- Design and specifications are subject to change without notice.
- The word "BBE" and the "BBE symbol" are trademarks of BBE Sound, Inc.
 Under license from BBE Sound, Inc.
- Dolby noise reduction manufactured under license from Dolby Laboratories Licensing Corporation.
 "DOLBY" and the double-D symbol  are trademarks of Dolby Laboratories Licensing Corporation.

PROTECTION OF EYES FROM LASER BEAM DURING SERVICING

This set employs laser. Therefore, be sure to follow carefully the instructions below when servicing.

WARNING!!

WHEN SERVICING, DO NOT APPROACH THE LASER EXIT WITH THE EYE TOO CLOSELY. IN CASE IT IS NECESSARY TO CONFIRM LASER BEAM EMISSION. BE SURE TO OBSERVE FROM A DISTANCE OF MORE THAN 30cm FROM THE SURFACE OF THE OBJECTIVE LENS ON THE OPTICAL PICK-UP BLOCK.



- Caution: Invisible laser radiation when open and interlocks defeated avoid exposure to beam.
- Advarsel: Usynlig laserstråling ved åbning, når sikkerhedsafbrydere er ude af funktion. Undgå udsættelse for stråling.

VAROITUS!

Laiteen Käyttäminen muulla kuin tässä käyttöohjeessa mainitulla tavalla saattaa altistaa käyt-täjän turvallisuusluokan 1 ylittävälle näkymättömälle lasersäteilylle.

WARNING!

Om apparaten används på annat sätt än vad som specificeras i denna bruksanvisning, kan användaren utsättas för osynlig laserstråling, som överskrider gränsen för laserklass 1.

CAUTION

Use of controls or adjustments or performance of procedures other than those specified herein may result in hazardous radiation exposure.

ATTENTION

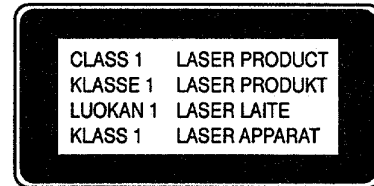
L'utilisation de commandes, réglages ou procédures autres que ceux spécifiés peut entraîner une dangereuse exposition aux radiations.

ADVARSEL!

Usynlig laserstråling ved åbning, når sikkerhedsafbrydere er ude af funktion. Undgå udsættelse for stråling.

This Compact Disc player is classified as a CLASS 1 LASER product.

The CLASS 1 LASER PRODUCT label is located on the rear exterior.

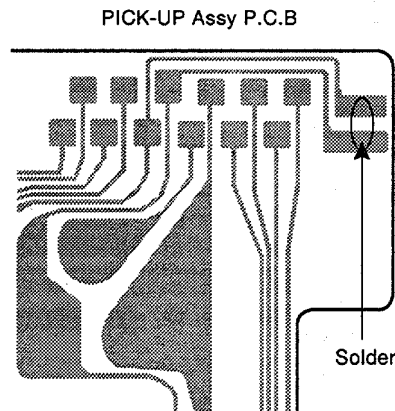


Precaution to replace Optical block

(KSS - 213B)

Body or clothes electrostatic potential could ruin laser diode in the optical block. Be sure ground body and workbench, and use care the clothes do not touch the diode.

- 1) After the connection, remove solder shown in figure below.



ELECTRICAL MAIN PARTS LIST

If can't understand for Description please kindly refer to "REFERENCE NAME LIST".

REF. NO.	PART NO.	KANRI NO.	DESCRIPTION	REF. NO.	PART NO.	KANRI NO.	DESCRIPTION
IC				MAIN C.B			
87-NF4-642-010			IC,LC866548V-5E54		88-906-241-110		FF-CABLE,6P 1.25
87-A20-501-040			C-IC,BA7762FS<EXP EZ,K>	C101	87-010-917-090		CAP,E 3300-50 M SMG<U,EZ,K>
87-A20-083-010			IC,BA3835S	C101	87-016-520-090		CAP,E 3300-65 M SMG<LH,HR>
87-A20-450-040			C-IC,BH3864F	C102	87-010-917-090		CAP,E 3300-50 M SMG<U,EZ,K>
87-A20-056-010			IC,BA3880S	C102	87-016-520-090		CAP,E 3300-65 M SMG<LH,HR>
87-A20-456-040			C-IC,BH3810FS	C103	87-010-928-090		CAP,E 4700-25 M SMG
87-017-888-080			C-IC,NJM4558MD	C104	87-010-928-090		CAP,E 4700-25 M SMG
86-NFZ-655-010			IC,LC72131D(Z)	C105	87-012-368-080		C-CAP,S 0.1-50 Z F
87-A20-438-010			IC,LA1837	C106	87-012-368-080		C-CAP,S 0.1-50 Z F
87-020-454-010			IC,DN6851	C107	87-012-368-080		C-CAP,S 0.1-50 Z F
87-070-289-040			C-IC,BU2092F	C108	87-012-368-080		C-CAP,S 0.1-50 Z F
87-A20-355-010			IC,CXA1553P<EZ,K>	C109	87-010-196-080		C-CAP,S 0.1-25 Z F C2012
87-A20-455-010			IC,HA12211<EZ,K>	C110	87-010-196-080		C-CAP,S 0.1-25 Z F C2012
87-A20-440-040			IC,BU1920FS<EZ>	C111	87-010-196-080		C-CAP,S 0.1-25 Z F C2012
87-070-083-010			IC,GPIU281X	C112	87-010-196-080		C-CAP,S 0.1-25 Z F C2012
87-A20-453-010			C-IC,NJW1102B	C113	87-010-384-080		CAP,E 100-25 M SME<U>
87-A20-613-040			C-IC,BU9262AFS	C113	87-010-247-080		CAP,E 100-50 M SME<EZ,K,LH,HR>
87-A20-452-040			C-IC,TC9260FS	C116	87-010-384-080		CAP,E 100-25 M SME<U>
				C116	87-010-247-080		CAP,E 100-50 M SME<EZ,K,LH,HR>
				C117	87-010-430-080		CAP,E 100-63 M SME
TRANSISTOR				C118	87-010-263-080		CAP,E 100-10 SME
87-026-263-080			C-TR,RN1410	C119	87-010-260-080		CAP,E 47-25 SME
89-213-702-010			TR,2SB1370E	C120	87-010-403-080		CAP,E 3.3-50 M SME
87-A30-076-080			C-TR,2SC3052F	C121	87-012-140-080		C-CAP,S 470P-50 J CH
87-A30-075-080			C-TR,2SA1235F	C122	87-010-263-080		CAP,E 100-10 SME<U>
87-026-610-080			TR,KTC3198GR	C123	87-010-247-080		CAP,100-50 M SME
87-A30-073-080			C-TR,RT1N 141C	C124	87-010-112-080		CAP,E 100-16 M SME
87-A30-085-070			C-TR,CSA1362GR	C125	87-010-235-080		CAP,E 470-16 SME
87-A30-083-080			TR,CSD1489B	C126	87-012-369-080		C-CAP,S 0.047-50 Z F<EZ,K>
87-A30-084-080			TR,CSB1058B	C127	87-012-369-080		C-CAP,S 0.047-50 Z F<EZ,K>
87-A30-071-080			C-TR,RT1N 144C	C129	87-010-393-080		CAP,E 100-35 M SME
87-026-609-080			TR,KTA1266GR	C201	87-010-401-080		CAP,E 1-50 M SME
87-A30-086-070			C-TR,CSD1306E	C202	87-010-401-080		CAP,E 1-50 M SME
87-A30-106-070			C-TR,CMBT5551	C205	87-010-181-080		C-CAP,S 1800P-50K B<EZ,K>
87-A30-111-080			TR,C2N5401	C205	87-010-182-080		C-CAP,S 2200P-50K B<U>
87-A30-097-Q10			TR,FN1016	C205	87-010-180-080		C-CAP,S 1500P-50K B<LH,HR>
87-A30-098-010			TR,FP1016	C206	87-010-181-080		C-CAP,S 1800P-50K B<EZ,K>
87-A30-089-010			FET,2SK2723	C206	87-010-182-080		C-CAP,S 2200P-50K B<U>
87-A30-072-080			C-TR,RT1P 144C	C206	87-010-180-080		C-CAP,S 1500P-50K B<LH,HR>
87-A30-087-080			C-FET,2SK2158	C207	87-010-404-080		CAP,E 4.7-50 M SME
87-A30-074-080			C-TR,RTIP 141C	C208	87-010-404-080		CAP,E 4.7-50 M SME
89-327-143-080			C-TR,2SC2714(O)	C209	87-010-404-080		CAP,E 4.7-50 M SME
89-505-434-540			C-TR,2SK543-TB (4/5)<EZ,K,HR>	C210	87-010-404-080		CAP,E 4.7-50 M SME
87-026-463-080			TR,2SA933S	C211	87-010-186-080		C-CAP,S 4700P-50 K B
87-026-232-080			C-TR,DTA144WK	C212	87-010-186-080		C-CAP,S 4700P-50 K B
87-A30-112-080			TR,C2N5551	C213	87-010-260-080		CAP,E 47-25 SME
89-420-612-010			TR,2SD2061E	C214	87-010-260-080		CAP,E 47-25 SME
				C215	87-010-196-080		C-CAP,S 0.1-25 Z F C2012
				C219	87-012-368-080		C-CAP,S 0.1-50 Z F
				C220	87-012-368-080		C-CAP,S 0.1-50 Z F
DIODE				C221	87-012-368-080		C-CAP,S 0.1-50 Z F
87-A40-270-080			C-DIODE,MC2838	C222	87-012-368-080		C-CAP,S 0.1-50 Z F
87-A40-116-060			DIODE,RS403L-B-D-51<U,EZ,K>	C223	87-010-194-080		C-CAP,S 0.047-25 Z F
87-A40-115-060			DIODE,RS603M<EXP U>	C225	87-A10-516-080		C-CAP,S 100P-200 J C
87-017-437-080			DIODE,1N4148M	C226	87-A10-516-080		C-CAP,S 100P-200 J C
87-A40-246-080			DIODE,1N4148T-72	C227	87-018-134-080		CAP,TC U 0.01-16 N Y<EZ,K>
87-A40-269-080			C-DIODE,MC2836	C228	87-018-131-080		CAP,TC U 1000P-50 K<EZ,K>
87-070-274-080			DIODE,1N4003 SEM	C229	87-016-461-080		C-CAP,S 0.47-16 Z F
87-A40-344-080			ZENER,MTZJ6.2C	C230	87-016-461-080		C-CAP,S 0.47-16 Z F
87-A40-341-080			ZENER,MTZJ36A	C231	87-010-176-080		C-CAP,S 680P-50 J SL<EZ,K>
87-A40-345-080			ZENER,MTZJ10C	C232	87-010-176-080		C-CAP,S 680P-50 J SL<EZ,K>
87-070-136-080			ZENER,MTZJ5.1B	C235	87-010-213-080		C-CAP,S 0.015-25 K B<EZ,K>
87-070-178-090			DIODE,1N5402-BD54	C236	87-010-213-080		C-CAP,S 0.015-25 K B<EZ,K>
87-A40-004-080			ZENER,MTZJ16A	C237	87-010-197-080		C-CAP,S 0.01-25 K B<EZ,K>
87-A40-003-080			ZENER,MTZJ4.3A	C238	87-010-197-080		C-CAP,S 0.01-25 K B<EZ,K>
87-A40-202-080			ZENER,UZ5.6BSB				
87-A40-234-080			ZENER,MTZJ5.6A	C239	87-010-318-080		C-CAP,S 47P-50 J CH<EZ,K>
				C240	87-010-318-080		C-CAP,S 47P-50 J CH<EZ,K>
				C242	87-010-405-080		CAP,E 10-50 M SME

REF. NO.	PART NO.	KANRI NO.	DESCRIPTION	REF. NO.	PART NO.	KANRI NO.	DESCRIPTION
C243	87-010-197-080		C-CAP,S 0.01-25 K B	C404	87-010-405-080		CAP,E 10-50 M SME
C301	87-010-318-080		C-CAP,S 47P-50 J CH	C405	87-010-260-080		CAP,E 47-25 SME
C302	87-010-318-080		C-CAP,S 47P-50 J CH	C406	87-010-101-080		CAP,E 220-16 SME
C303	87-012-157-080		C-CAP,S 330P-50 J CH GRM	C407	87-010-188-080		C-CAP,S 6800P-50 K B
C304	87-012-157-080		C-CAP,S 330P-50 J CH GRM	C408	87-010-188-080		C-CAP,S 6800P-50 K B
C305	87-012-145-080		C-CAP,S 270P-50 J CH	C409	87-012-140-080		C-CAP,S 470P-50 J CH
C306	87-012-145-080		C-CAP,S 270P-50 J CH	C410	87-012-140-080		C-CAP,S 470P-50 J CH
C307	87-010-196-080		C-CAP,S 0.1-25 Z F	C411	87-010-197-080		C-CAP,S 0.01-25 K B
C309	87-010-196-080		C-CAP,S 0.1-25 Z F<U,LH,HR>	C412	87-010-197-080		C-CAP,S 0.01-25 K B
C310	87-010-196-080		C-CAP,S 0.1-25 Z F<U,LH,HR>	C413	87-010-195-080		C-CAP,S 0.068-25 Z F C2012
C311	87-010-198-080		C-CAP,S 0.022-25 K B	C414	87-010-195-080		C-CAP,S 0.068-25 Z F C2012
C312	87-010-198-080		C-CAP,S 0.022-25 K B	C415	87-010-404-080		CAP,E 4.7-50 M SME
C313	87-010-178-080		C-CAP,S 1000P-50 K B<U,LH,HR>	C416	87-010-404-080		CAP,E 4.7-50 M SME
C313	87-010-180-080		C-CAP,S 1500P-50 K B<EK,Z>	C417	87-010-404-080		CAP,E 4.7-50 M SME
C314	87-010-178-080		C-CAP,S 1000P-50 K B<U,LH,HR>	C418	87-010-404-080		CAP,E 4.7-50 M SME
C314	87-010-180-080		C-CAP,S 1500P-50 K B<EK,Z>	C420	87-018-209-080		CAP,TCU 0.01-16 N Y<EZ,K>
C315	87-010-178-080		C-CAP,S 1000P-50 K B	C421	87-010-401-080		CAP,E 1-50 M SME
C316	87-010-178-080		C-CAP,S 1000P-50 K B	C422	87-010-401-080		CAP,E 1-50 M SME
C317	87-012-142-080		C-CAP,S 0.33-16 Z F<EZ,K>	C516	87-010-196-080		C-CAP,S 0.1-25 Z F C2012
C318	87-012-142-080		C-CAP,S 0.33-16 Z F<EZ,K>	C601	87-010-322-080		C-CAP,S 100P-50J C H<EZ,K>
C319	87-012-141-080		C-CAP,S 0.22-16 Z F<EZ,K>	C602	87-010-322-080		C-CAP,S 100P-50J C H<EZ,K>
C320	87-012-141-080		C-CAP,S 0.22-16 Z F<EZ,K>	C605	87-010-180-080		C-CAP,S 1500P-50 K B
C321	87-016-492-080		C-CAP,S 0.33-16 Z F<U,LH,HR>	C606	87-010-180-080		C-CAP,S 1500P-50 K B
C321	87-012-141-080		C-CAP,S 0.22-16 Z F<EZ,K>	C609	87-010-322-080		C-CAP,S 100P-50J C H<EZ,K>
C322	87-016-492-080		C-CAP,S 0.33-16 Z F<U,LH,HR>	C610	87-010-322-080		C-CAP,S 100P-50J C H<EZ,K>
C322	87-012-141-080		C-CAP,S 0.22-16 Z F<EZ,K>	C611	87-016-081-080		C-CAP,S 0.1-16 R K<U,LH,HR>
C324	87-010-260-080		CAP,E 47-25 SME	C611	87-010-196-080		C-CAP,S 0.1-25 Z F<EZ,K>
C325	87-010-370-080		CAP,E 330-6.3 M SME	C613	87-010-404-080		CAP,E 4.7-50 M SME
C327	87-010-404-080		CAP,E 4.7-50 M SME	C614	87-010-404-080		CAP,E 4.7-50 M SME
C328	87-010-404-080		CAP,E 4.7-50 M SME	C615	87-010-183-080		C-CAP,S 2700P-50 K B
C332	87-010-196-080		C-CAP,S 0.1-25 Z F C2012	C619	87-010-263-080		CAP,E 100-10 SME
C335	87-010-401-080		CAP,E 1-50 M SME	C620	87-010-196-080		C-CAP,S 0.1-25 Z F C2012
C336	87-010-401-080		CAP,E 1-50 M SME	C621	87-010-263-080		CAP,E 100-10 SME
C337	87-010-196-080		C-CAP,S 0.1-25 Z F C2012	C622	87-010-196-080		C-CAP,S 0.1-25 Z F C2012
C339	87-010-196-080		C-CAP,S 0.1-25 Z F C2012	C623	87-010-194-080		C-CAP,S 0.047-25 Z F
C340	87-010-196-080		C-CAP,S 0.1-25 Z F C2012	C629	87-010-196-080		C-CAP,S 0.1-25 Z F C2012
C351	87-012-140-080		C-CAP,S 470P-50 J CH	C630	87-010-196-080		C-CAP,S 0.1-25 Z F C2012<EZ,K>
C352	87-012-140-080		C-CAP,S 470P-50 J CH	C631	87-010-196-080		C-CAP,S 0.1-25 Z F C2012<EZ,K>
C354	87-010-175-080		C-CAP,S 560P-50 J SL	C632	87-010-196-080		C-CAP,S 0.1-25 Z F C2012<EZ,K>
C355	87-012-349-080		C-CAP,S 1000P-50 J CH	C633	87-010-197-080		C-CAP,S 0.01-25 K B<EZ,K>
C356	87-010-260-080		CAP,E 47-25 SME	C637	87-010-322-080		C-CAP,S 100P-50J C H<EZ,K>
C357	87-010-197-080		C-CAP,S 0.01-25 K B	C646	87-010-322-080		C-CAP,S 100P-50J C H
C358	87-010-183-080		C-CAP,S 2700P-50 K B	C647	87-010-322-080		C-CAP,S 100P-50J C H
C359	87-010-183-080		C-CAP,S 2700P-50 K B	C701	87-010-381-080		CAP,E 330-16 SME
C360	87-010-183-080		C-CAP,S 2700P-50 K B	C702	87-010-404-080		CAP,E 4.7-50 M SME
C370	87-010-196-080		C-CAP,S 0.1-25 Z F C2012	C703	87-010-197-080		C-CAP,S 0.01-25 K B
C371	87-010-179-080		C-CAP,S 1200P-50 K B<EZ,K>	C704	87-010-197-080		C-CAP,S 0.01-25 K B
C372	87-010-179-080		C-CAP,S 1200P-50 K B<EZ,K>	C711	87-010-263-080		CAP,E 100-10 SME
C373	87-010-993-080		C-CAP,S 0.056-25 K B<U,LH,HR>	C712	87-010-196-080		C-CAP,S 0.1-25 Z F C2012
C373	87-010-179-080		C-CAP,S 1200P-50 K B<EZ,K>	C713	87-010-197-080		C-CAP,S 0.01-25 K B
C374	87-010-993-080		C-CAP,S 0.056-25 K B<U,LH,HR>	C714	87-010-197-080		C-CAP,S 0.01-25 K B
C374	87-010-179-080		C-CAP,S 1200P-50 K B<EZ,K>	C715	87-010-322-080		C-CAP,S 100P-50J C H<EZ,K>
C375	87-010-545-080		CAP,0.22-50 M SME<EZ,K>	C721	87-010-312-080		C-CAP,S 15P-50 J CH
C376	87-010-545-080		CAP,0.22-50 M SME<EZ,K>	C722	87-010-312-080		C-CAP,S 15P-50 J CH
C378	87-010-196-080		C-CAP,S 0.1-25 Z F<U,LH,HR>	C723	87-010-178-080		C-CAP,S 1000P-50 K B
C379	87-010-382-080		CAP,E 22-25 M SME<U,LH,HR>	C725	87-010-178-080		C-CAP,S 1000P-50 K B
C380	87-010-382-080		CAP,E 22-25 M SME	C727	87-010-196-080		C-CAP,S 0.1-25 Z F C2012
C381	87-010-197-080		C-CAP,S 0.01-25 K B	C728	87-010-248-080		CAP,E 220-10 SME
C382	87-010-312-080		C-CAP,S 15P-50 J CH<U,LH,HR>	C755	87-010-197-080		C-CAP,S 0.01-25 K B
C382	87-010-318-080		C-CAP,S 47P-50 J CH<EZ,K>	C756	87-010-197-080		C-CAP,S 0.01-25 K B
C383	87-010-197-080		C-CAP,S 0.01-25 K B	C757	87-010-318-080		C-CAP,S 47P-50 J CH
C384	87-010-402-080		CAP,E 2.2-50 M SME	C758	87-010-149-080		C-CAP,S 5P-50 CH
C385	87-010-184-080		C-CAP,S 3300P-50 K B<EZ,K>	C761	87-010-196-080		C-CAP,S 0.1-25 Z F C2012
C386	87-010-196-080		C-CAP,S 0.1-25 Z F C2012	C762	87-010-197-080		C-CAP,S 0.01-25 K B
C387	87-012-145-080		C-CAP,S 270P-50 J CH	C763	87-010-194-080		C-CAP,S 0.047-25 Z F
C388	87-010-154-080		C-CAP,S 10P-50 D CH	C765	87-010-197-080		C-CAP,S 0.01-25 K B
C401	87-010-187-080		C-CAP,S 5600P-50 K B	C766	87-010-197-080		C-CAP,S 0.01-25 K B
C402	87-010-187-080		C-CAP,S 5600P-50 K B	C767	87-010-405-080		CAP,E 10-50 M SME
C403	87-010-405-080		CAP,E 10-50 M SME	C768	87-010-197-080		C-CAP,S 0.01-25 K B

REF. NO.	PART NO.	KANRI NO.	DESCRIPTION	REF. NO.	PART NO.	KANRI NO.	DESCRIPTION
C769	87-010-408-080		CAP,E 47-50 SME	CF802	87-008-261-010		FLTR,CFSFE10.7MA5<U,LH,HR>
C770	87-015-821-080		C-CAP, 0.047-50 Z F GR	CF802	87-785-747-010		CF,MS2 GHY,R<EZ,K>
C771	87-010-407-080		CAP,E 33-50 SME	F201	87-026-691-080		FUSE,10A 125V 251<U>
C772	87-010-194-080		C-CAP,S 0.047-25 Z F	F202	87-026-691-080		FUSE,10A 125V 251<U>
				FFE801	A8-7ZA-293-070		7ZA-2 FEUNC<HR>
C773	87-010-196-080		C-CAP,S 0.1-25 Z F C2012				
C774	87-010-263-080		CAP,E 100-10 SME	FFE801	A8-7ZA-291-030		7ZA-2 YFEUNM<U,LH>
C775	87-010-404-080		CAP,E 4.7-50 M SME	FFE801	A8-6ZA-191-030		6ZA-1 FEENM<EZ,K>
C776	87-010-197-080		C-CAP,S 0.01-25 K B<EXP HR>	J252	87-A60-031-010		JACK,6.3 BLK ST W/S
C777	87-010-400-080		CAP,E 0.47-50 M SME	J253	87-A60-413-010		JACK,PIN 1P YKC21-3466
				J254	87-A60-238-010		TERMINAL,SP 4P (MSC)
C778	87-010-401-080		CAP,E 1-50 M SME				
C779	87-010-401-080		CAP,E 1-50 M SME	J601	87-A60-426-010		JACK,PIN 6P 3835
C780	87-010-196-080		C-CAP,S 0.1-25 Z F C2012	J801	87-A60-202-010		TERMINAL,ANT 4P MSP<U,LH,HR>
C781	87-010-405-080		CAP,E 10-50 M SME	J801	87-A60-427-010		TERMINAL,ANT PAL 2P<EZ,K>
C782	87-010-405-080		CAP,E 10-50 M SME	L201	87-003-383-010		COIL,1UH K
				L202	87-003-383-010		COIL,1UH K
C783	87-015-819-080		C-CAP,0.01-50 K B				
C784	87-010-197-080		C-CAP,S 0.01-25 K B	L301	87-A50-049-010		COIL,TRAP 85K(COI)
C785	87-010-400-080		CAP,E 0.47-50 M SME	L302	87-A50-049-010		COIL,TRAP 85K(COI)
C786	87-010-400-080		CAP,E 0.47-50 M SME	L351	87-007-342-010		COIL,OSC 85KHZ BIAS
C787	87-010-184-080		C-CAP,S 3300P-50 K B	L601	87-003-231-089		C-COIL,1UH
				L770	87-005-849-080		COIL,10UH K CECS
C788	87-010-184-080		C-CAP,S 3300P-50 K B				
C789	87-010-179-080		C-CAP,S 1200P-50 K B	L771	87-A50-165-010		COIL,FM DET-N(TOK)
C790	87-010-179-080		C-CAP,S 1200P-50 K B	L772	87-A90-245-010		FLTR,CFZH-450(TOK)<U,LH,EZ,K>
C791	87-010-405-080		CAP,E 10-50 M SME	L772	87-A90-052-010		FLTR,CFMT-450A(TOK)<HR>
C793	87-010-178-080		C-CAP,S 1000P-50 K B<U,K,LH,HR>	L791	87-A50-027-010		COIL,1 POLE MPX (TOK)<EZ,K>
				L792	87-A50-027-010		COIL,1 POLE MPX (TOK)<EZ,K>
C793	87-012-156-080		C-CAP,S 220P-50J CH<EZ>				
C794	87-010-406-080		CAP,E 22-50 M SME	L832	87-005-847-080		COIL,2.2UH K CECS
C795	87-010-596-080		C-CAP,S 0.047-16 R K	L850	87-005-847-080		COIL,2.2UH K CECS<EZ,K>
C796	87-010-403-080		CAP,E 3.3-50 M SME	L941	87-A50-020-010		COIL,ANT LW (COI)252KHZ<EZ,K>
C797	87-010-182-080		C-CAP,S 2200P-50 K B<U,LH>	L941	87-A50-022-010		COIL,ANT SW (COI)7.96MHZ<HR>
				L942	87-A50-019-010		COIL,OSC LW (COI) 856KHZ<EZ,K>
C797	87-010-180-080		C-CAP,S 1500P-50 K B<EZ,K,HR>				
C798	87-010-182-080		C-CAP,S 2200P-50 K B<U,LH>	L942	87-A50-173-010		COIL,OSC SW (COI)<HR>
C798	87-010-180-080		C-CAP,S 1500P-50 K B<EZ,K,HR>	L943	87-005-372-080		COIL,1 MHZ K LALO3<HR>
C799	87-010-194-080		C-CAP,S 0.047-25 Z F	L944	87-A50-159-010		COIL,10MH K C28<HR>
C812	87-010-197-080		C-CAP,S 0.01-25 K B	L981	87-NF4-650-010		COIL,AM PACK4N(TOK)<U,LH>
				L981	87-NF4-668-010		COIL,AM PACK2(TOM)<EZ,K>
C814	87-010-197-080		C-CAP,S 0.01-25 K B				
C820	87-010-408-080		CAP,E 47-50 SME	L981	87-NF4-666-010		COIL,AM PACK3(TOK)<HR>
C821	87-010-197-080		C-CAP,S 0.01-25 K B	PR201	87-026-682-080		PROTECTOR,10A 60V<EZ,K,LH,HR>
C822	87-010-197-080		C-CAP,S 0.01-25 K B	PR202	87-026-682-080		PROTECTOR,10A 60V<EZ,K,LH,HR>
C823	87-010-197-080		C-CAP,S 0.01-25 K B	R123	87-022-200-080		RES,M/F 0.56-1W J<U>
				R229	87-A00-257-080		RES,M/F 0.15-1W J<U,EZ,K>
C828	87-010-196-080		C-CAP,S 0.1-25 Z F C2012				
C829	87-010-196-080		C-CAP,S 0.1-25 Z F C2012	R230	87-A00-257-080		RES,M/F 0.15-1W J<U,EZ,K>
C861	87-012-156-080		C-CAP,S 220P-50J C H<EZ>	R231	87-A00-257-080		RES,M/F 0.15-1W J<LH,HR>
C864	87-010-405-080		CAP,E 10-50 M SME<EZ>	R232	87-A00-257-080		RES,M/F 0.15-1W J<LH,HR>
C865	87-010-196-080		C-CAP,S 0.1-25 Z F C2012<EZ>	RY101	87-045-389-010		RELAY,12V OSA-SS-212DM5
				SFR301	87-024-438-080		SFR,220K H RH063MC<U,LH,HR>
C866	87-010-405-080		CAP,E 10-50 M SME<EZ>				
C867	87-010-197-080		C-CAP,S 0.01-25 K B<EZ>	SFR301	87-024-435-080		SFR,33K H RH063MC<EZ,K>
C868	87-010-316-080		C-CAP,S 33P-50 J CH<EZ>	SFR302	87-024-438-080		SFR,220K H RH063MC<U,LH,HR>
C869	87-010-316-080		C-CAP,S 22P-50 J CH<EZ>	SFR302	87-024-435-080		SFR,33K H RH063MC<EZ,K>
C940	87-010-197-080		C-CAP,S 0.01-25 K B<EZ,K,HR>	SFR303	87-024-438-080		SFR,220K H RH063MC<U,LH,HR>
				SFR303	87-024-435-080		SFR,33K H RH063MC<EZ,K>
C941	87-010-314-080		C-CAP,S 22P-50 J CH<HR>				
C942	87-010-151-080		C-CAP,S 7P-50D C H<EZ,K>	SFR304	87-024-438-080		SFR,220K H RH063MC<U,LH,HR>
C943	87-010-197-080		C-CAP, S 0.01-25 K B<HR>	SFR304	87-024-435-080		SFR,33K H RH063MC<EZ,K>
C944	87-014-051-080		CAP,PP 560P-100 J<HR>	SFR305	87-024-436-080		SFR,47K H RH063MC<EZ,K>
C945	87-010-197-080		C-CAP,S 0.01-25 K B<HR>	SFR306	87-024-436-080		SFR,47K H RH063MC<EZ,K>
				SFR351	87-024-436-080		SFR,47K H RH063MC
C947	87-010-197-080		C-CAP,S 0.01-25 K B<EZ,K,HR>				
C950	87-014-073-080		CAP,PP 4700P-100 J<HR>	SFR352	87-024-436-080		SFR,47K H RH063MC
C952	87-010-197-080		C-CAP,S 0.01-25 K B<EZ,K,HR>	TC942	87-011-221-080		TRIMMER,CER 30P <EZ,K>
C953	87-010-197-080		C-CAP,S 0.01-25 K B<HR>	TH201	87-A90-221-080		C-THMS 100K<EZ,K,HR>
C954	87-010-400-080		CAP,E 0.47-50 M SME<HR>	TH202	87-A90-221-080		C-THMS 100K<EZ,K,HR>
				W001	85-NF5-628-010		F-CABLE,7P-2.5
C956	87-010-263-080		CAP,E 100-10 SME<HR>				
C962	87-010-401-080		CAP,E 1-50 M SME<HR>	X721	87-A70-061-010		VIB,XTAL 4.500MHZ CSA-309
C957	87-010-311-080		C-CAP,S 12P-50J C H<EZ,K>	X771	87-030-354-010		VIB,CER 450.0KHZ BFUC<HR>
C958	87-010-197-080		C-CAP,S 0.01-25 K B<EZ,K>	X850	87-KT1-608-010		XTAL 4.332MHZ<EZ>
C959	87-010-196-080		C-CAP,S 0.1-25 Z F C2012				
C960	87-010-196-080		C-CAP,S 0.1-25 Z F C2012				
C961	87-010-152-080		C-CAP,S 8P-50D C H<EXP HR>	FRONT C.B			
C962	87-010-401-080		CAP,E 1-50 M SME<EZ,K>				
CF801	87-008-261-010		FLTR,CFSFE10.7MA5<U,LH,HR>		85-NF5-618-010		CABLE,FFC 13P-1.25
CF801	87-008-423-010		FLTR,IF SFE10.7MS3G-A<EZ,K>		85-NF5-615-010		CABLE,FFC 15P-1.25
					88-913-191-110		FF CABLE,13P-1.25
				C101	87-010-198-080		C-CAP,S 0.022-25 K B

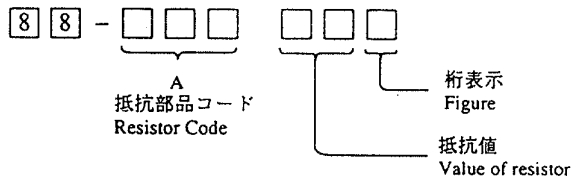
REF. NO.	PART NO.	KANRI NO.	DESCRIPTION	REF. NO.	PART NO.	KANRI NO.	DESCRIPTION
C102	87-010-198-080		C-CAP,S 0.022-25 K B	LED203	87-A40-317-080		LED,SLR-342VCT31 RED
C103	87-010-197-080		C-CAP,S 0.01-25 K B	LED204	87-A40-317-080		LED,SLR-342VCT31 RED
C104	87-010-312-080		C-CAP,S 15P-50 J CH	LED205	87-A40-317-080		LED,SLR-342VCT31 RED
C105	87-010-316-080		C-CAP,S 33P-50 J CH	LED206	87-A40-316-080		LED,SLR-56PCT31 GRN
C106	87-010-320-080		C-CAP,S 68P-50 J CH	LED207	87-A40-316-080		LED,SLR-56PCT31 GRN
C107	87-012-157-080		C-CAP,S 330P-50 J CH GRM	LED208	87-A40-316-080		LED,SLR-56PCT31 GRN
C108	87-010-498-040		CAP,E 10-16 5L SRE	LED209	87-A40-316-080		LED,SLR-56PCT31 GRN
C109	87-010-494-040		CAP,E 1-50 5L SRE	LED210	87-A40-316-080		LED,SLR-56PCT31 GRN
C110	87-010-196-080		C-CAP,S 0.1-25 Z F C2012	LED211	87-A40-316-080		LED,SLR-56PCT31 GRN
C111	87-010-196-080		C-CAP,S 0.1-25 Z F C2012	LED212	87-A40-316-080		LED,SLR-56PCT31 GRN
C112	87-010-196-080		C-CAP,S 0.1-25 Z F C2012	LED213	87-A40-316-080		LED,SLR-56PCT31 GRN
C113	87-A10-189-040		CAP,E 220-10 M	LED214	87-A40-316-080		LED,SLR-56PCT31 GRN
C114	87-010-196-080		C-CAP,S 0.1-25 Z F C2012	LED215	87-A40-316-080		LED,SLR-56PCT31 GRN
C115	87-010-178-080		C-CAP,S 1000P-50 K B	LED216	87-A40-264-080		LED,SLH-56PCTE7 GRN
C116	87-010-494-040		CAP,E 1-50 5L SRE	LED217	87-A40-264-080		LED,SLH-56PCTE7 GRN
C117	87-010-550-040		CAP,E 100-6.3 5L SRE	LED218	87-A40-264-080		LED,SLH-56PCTE7 GRN
C118	87-010-194-080		C-CAP,S 0.047-25 Z F	LED219	87-A40-264-080		LED,SLH-56PCTE7 GRN
C119	87-010-408-040		CAP,E 47-50 M SME	LED220	87-A40-264-080		LED,SLH-56PCTE7 GRN
C120	87-010-404-040		CAP,E 4.7-50 SME	LED221	87-A40-264-080		LED,SLH-56PCTE7 GRN
C121	87-010-404-040		CAP,E 4.7-50 SME	LED222	87-A40-266-080		LED,SLH-56VCT31 RED
C122	87-010-194-080		C-CAP,S 0.047-25 Z F	LED223	87-A40-266-080		LED,SLH-56VCT31 RED
C123	87-010-196-080		C-CAP,S 0.1-25 Z F C2012	LED224	87-A40-266-080		LED,SLH-56VCT31 RED
C124	87-010-196-080		C-CAP,S 0.1-25 Z F C2012	LED225	87-A40-266-080		LED,SLH-56VCT31 RED
C125	87-010-196-080		C-CAP,S 0.1-25 Z F C2012	LED226	87-A40-266-080		LED,SLH-56VCT31 RED
C127	87-010-196-080		C-CAP,S 0.1-25 Z F C2012	LED227	87-A40-266-080		LED,SLH-56VCT31 RED
C128	87-010-178-080		C-CAP,S 1000P-50 K B	LED228	87-A40-266-080		LED,SLH-56VCT31 RED
C201	87-010-196-080		C-CAP,S 0.1-25 Z F C2012	LED229	87-A40-266-080		LED,SLH-56VCT31 RED
C351	87-012-158-080		C-CAP,S 390P-50 J CH GRM	LED233	87-A40-265-010		LED,SLH-56VCL GRN
C352	87-010-196-080		C-CAP,S 0.1-25 Z F C2012	LED234	87-A40-265-010		LED,SLH-56VCL GRN
C353	87-010-196-080		C-CAP,S 0.1-25 Z F C2012	LED235	87-A40-267-010		LED,SLH-56VCL RED
C354	87-010-196-080		C-CAP,S 0.1-25 Z F C2012	LED236	87-A40-267-010		LED,SLH-56VCL RED
C355	87-010-196-080		C-CAP,S 0.1-25 Z F C2012	LED237	87-A40-265-010		LED,SLH-56PCL GRN
C356	87-010-196-080		C-CAP,S 0.1-25 Z F C2012	LED238	87-A40-265-010		LED,SLH-56PCL GRN
C357	87-010-196-080		C-CAP,S 0.1-25 Z F C2012	S301	87-A90-164-080		SW,TACT SKQAB(N)
C403	87-010-596-080		C-CAP,S 0.047-16 K R	S302	87-A90-164-080		SW,TACT SKQAB(N)
C404	87-010-596-080		C-CAP,S 0.047-16 K R	S303	87-A90-164-080		SW,TACT SKQAB(N)
C405	87-010-401-040		CAP,E 1-50 M SME	S304	87-A90-164-080		SW,TACT SKQAB(N)
C406	87-010-401-040		CAP,E 1-50 M SME	S305	87-A90-164-080		SW,TACT SKQAB(N)
C407	87-010-184-080		C-CAP,S 3300P-50 K B	S306	87-A90-164-080		SW,TACT SKQAB(N)
C408	87-010-184-080		C-CAP,S 3300P-50 K B	S307	87-A90-164-080		SW,TACT SKQAB(N)
C409	87-010-592-080		C-CAP,S 0.022-16 K R	S308	87-A90-164-080		SW,TACT SKQAB(N)
C410	87-010-592-080		CAP,S 0.022-16 K R	S314	87-A90-164-080		SW,TACT SKQAB(N)
C411	87-016-463-080		C-CAP,0.33-16 K B	S315	87-A90-164-080		SW,TACT SKQAB(N)
C412	87-016-463-080		C-CAP,0.33-16 K B	S316	87-A90-164-080		SW,TACT SKQAB(N)
C413	87-010-196-080		C-CAP,S 0.1-25 Z F C2012	S317	87-A90-164-080		SW,TACT SKQAB(N)
C414	87-010-374-040		CAP,E 47-10 SME	S318	87-A90-164-080		SW,TACT SKQAB(N)
C415	87-010-374-040		CAP,E 47-10 SME	S319	87-A90-164-080		SW,TACT SKQAB(N)
C416	87-010-196-080		C-CAP,S 0.1-25 Z F C2012	S320	87-A90-164-080		SW,TACT SKQAB(N)
C417	87-016-081-080		C-CAP,S 0.1-16 K R	S323	87-A90-164-080		SW,TACT SKQAB(N)
C418	87-010-405-040		CAP,E 10-50 M SME	S324	87-A90-164-080		SW,TACT SKQAB(N)
C601	87-010-560-040		CAP,E 10-50 M 5L MA	S325	87-A90-164-080		SW,TACT SKQAB(N)
C602	87-010-186-080		C-CAP,S 4700P-50 K B	S326	87-A90-164-080		SW,TACT SKQAB(N)
C603	87-010-498-040		CAP,E 10-16 M 5L	S327	87-A90-164-080		SW,TACT SKQAB(N)
C604	87-010-499-040		CAP,E 22-6.3 M 5L	S328	87-A90-164-080		SW,TACT SKQAB(N)
C605	87-010-196-080		C-CAP,S 0.1-25 Z F C2012	S330	87-A90-164-080		SW,TACT SKQAB(N) <EZ>
C606	87-010-322-080		C-CAP,S 100P-50 J CH<EZ,K>	S331	87-A90-164-080		SW,TACT SKQAB(N)
C607	87-010-321-080		C-CAP,S 82P-50 J CH	S332	87-A90-164-080		SW,TACT SKQAB(N)
C608	87-010-196-080		C-CAP,S 0.1-25 Z F C2012	S333	87-A90-164-080		SW,TACT SKQAB(N)
C609	87-010-491-040		CAP,E 0.22-50 5L SRE	S334	87-A90-164-080		SW,TACT SKQAB(N)
C610	87-010-322-080		C-CAP,S 100P-50 J CH<EZ,K>	S335	87-A90-164-080		SW,TACT SKQAB(N)
C611	87-010-177-080		C-CAP,S 820P-50 J SL	S337	87-A90-164-080		SW,TACT SKQAB(N)
C612	87-010-597-080		C-CAP,S 0.056-16 K R	S339	87-A90-164-080		SW,TACT SKQAB(N) <EZ>
C614	87-010-248-040		CAP,E 220-10 M SME	S340	87-A90-164-080		SW,TACT SKQAB(N) <EZ>
FB601	87-008-372-080		FLTR,EMIBL01 RNI	S341	87-A90-164-080		SW,TACT SKQAB(N) <EZ>
FL101	87-NF6-610-010		FL,BJ531GK	S342	87-A90-164-080		SW,TACT SKQAB(N)
J601	87-NF7-630-010		JACK,3.5MO	SW101	87-A90-535-010		SW,RTRY EC16B24304
J602	87-NF7-630-010		JACK,3.5MO	X101	87-A70-070-080		VIB,CER 5.76MHZ CRHF
LED201	87-A40-317-080		LED,SLR-342VCT31 RED				
LED202	87-A40-317-080		LED,SLR-342VCT31 RED				

REF. NO.	PART NO.	KANRI NO.	DESCRIPTION	REF. NO.	PART NO.	KANRI NO.	DESCRIPTION
KEY C.B				C102	87-012-368-080		C-CAP,S 0.1-50 F
S365	87-A90-164-080		SW,TACT SKQNAB(N)	C103	87-010-398-090		CAP,E 2200-35V
S366	87-A90-164-080		SW,TACT SKQNAB(N)	C104	87-010-398-090		CAP,E 2200-35V
S367	87-A90-164-080		SW,TACT SKQNAB(N)	C106	87-010-382-080		CAP, ELECT 22-25V
S368	87-A90-164-080		SW,TACT SKQNAB(N)	C107	87-012-368-080		C-CAP,S 0.1-50 F<EZ,K>
S369	87-A90-164-080		SW,TACT SKQNAB(N)	C108	87-012-368-080		C-CAP,S 0.1-50 F<EZ,K>
AC1 C.B				C109	87-016-369-080		C-CAP,S 0.033-25 B K
△ FC1	87-A90-505-080		FUSE CLAMP,TP00351-5<U>	C110	87-010-194-080		CAP, CHIP 0.047
△ FC1	87-033-213-080		FUSE CLAMP,PFC5000<EZ,K>	C112	87-010-196-080		CHIP CAPACITOR,0.1-25
△ FC1	87-033-147-010		FUSE CLAMP,MT-20<LH,HR>	C117	87-012-368-080		C-CAP,S 0.1-50 F<EZ,K>
△ FC2	87-033-213-080		FUSE CLAMP,PFC5000<EZ,K>	C118	87-012-368-080		C-CAP,S 0.1-50 F<EZ,K>
△ FC2	87-A90-505-080		FUSE CLAMP,TP00351-5<U>	C201	87-010-186-080		CAP,CHIP 4700P
△ FC2	87-033-147-010		FUSE CLAMP,MT-20<LH,HR>	C202	87-010-402-080		CAP, ELECT 2.2-50V
△ F101	87-035-518-010		FUSE,5A 125V T 239 <U>	C203	87-010-322-080		C-CAP,S 100P-50 J CH<EZ,K>
△ F101	87-035-365-010		FUSE,2A 250V T<EZ,K>	C204	87-010-405-080		CAP, ELECT 10-50V
△ F101	87-035-370-010		FUSE,6.3A 250V T<LH,HR>	C205	87-A10-516-080		C-CAP,S 100P-200 J CH
△ PT101	87-NFT-621-010		PT,7NF-T U<U>	C208	87-010-260-080		CAP, ELECT 47-25V
△ PT101	87-NFT-624-010		PT,7NF-T EKZ<EZ,K>	C209	87-010-993-080		C-CAP,S 0.056-25 B
△ PT101	87-NFT-623-010		PT,7NF-T HR<HR>	C210	87-010-196-080		CHIP CAPACITOR,0.1-25
△ T1	87-A60-317-010		TERMINAL, 1P MSC	C211	87-010-197-080		CAP, CHIP 0.01 DM
△ T2	87-A60-317-010		TERMINAL, 1P MSC	C212	87-010-196-080		CHIP CAPACITOR,0.1-25
△ SW101	87-A90-165-010		SW,SL1-2-3 SWS 2301<LH,HR>	C213	87-010-406-080		CAP, ELECT 22-50
AC2 C.B				C214	87-010-197-080		C-CAP,0.01-25 BK<EZ,K>
△ F001	87-026-691-080		FUSE,10A 125V 251<U>	C301	87-010-183-080		C-CAP,S 2700P-50 B
△ F002	87-026-691-080		FUSE,10A 125V 251<U>	C302	87-010-402-080		CAP, ELECT 2.2-50V
△ F003	87-026-690-080		FUSE,5A 125V 251<U>	C303	87-010-322-080		C-CAP,S 100P-50 J CH<EZ,K>
△ F004	87-026-690-080		FUSE,5A 125V 251<U>	C304	87-010-382-080		CAP, ELECT 22-25V
△ F005	87-026-691-080		FUSE,10A 125V 251<U>	C305	87-A10-516-080		C-CAP,S 100P-200 J CH
△ F006	87-026-691-080		FUSE,10A 125V 251<U>	C308	87-010-260-080		CAP, ELECT 47-25V
△ PR001	87-026-682-080		PROTECTOR,10A 60V<EZ,K,LH,HR>	C309	87-010-993-080		C-CAP,S 0.056-25 B
△ PR002	87-026-682-080		PROTECTOR,10A 60V<EZ,K,LH,HR>	C310	87-010-196-080		CHIP CAPACITOR,0.1-25
△ PR003	87-026-681-080		PROTECTOR,5A 60V<EZ,K,LH,HR>	C311	87-010-197-080		CAP, CHIP 0.01 DM
△ PR004	87-026-681-080		PROTECTOR,5A 60V<EZ,K,LH,HR>	C312	87-010-196-080		CHIP CAPACITOR,0.1-25
△ PR005	87-026-682-080		PROTECTOR,10A 60V<EZ,K,LH,HR>	C313	87-010-406-080		CAP, ELECT 22-50
△ PR006	87-026-682-080		PROTECTOR,10A 60V<EZ,K,LH,HR>	C314	87-010-197-080		C-CAP,0.01-25 BK<EZ,K>
DECK C.B				C315	87-012-368-080		C-CAP,S 0.1-50 F<EZ,K>
CON502	87-099-756-010		CONN,15P 9604 S F	C316	87-012-368-080		C-CAP,S 0.1-50 F<EZ,K>
SFR1	87-024-581-089		SFR,3.3K DIA 6H	C501	87-010-176-080		C-CAP,S 680P-50 SL
SOL1	82-ZM1-618-010		SOL ASSY, 27	C502	87-010-176-080		C-CAP,S 680P-50 SL
SOL2	82-ZM1-618-010		SOL ASSY, 27	C507	87-016-456-080		CAP,E 22-16 LLA
SW1	87-A90-248-010		SW, MICRO ESE11SH2CXQ	C508	87-010-196-080		CHIP CAPACITOR,0.1-25
SW2	87-A90-248-010		SW, MICRO ESE11SH2CXQ	C509	87-010-112-080		CAP, ELECT 100-16V
SW3	87-A90-248-010		SW, MICRO ESE11SH2CXQ	C510	87-010-380-080		CAP, ELECT 47-16V
SW4	87-036-110-010		SW, MICRO SPPB62	C512	87-016-472-080		CAP,E 22-16 SME(K)
SW5	87-036-110-010		SW, MICRO SPPB62	C513	87-010-196-080		CHIP CAPACITOR,0.1-25
SW6	87-036-110-010		SW, MICRO SPPB62	C514	87-010-263-080		CAP, ELECT 100-10V
SW8	87-A90-248-010		SW, MICRO ESE11SH2CXQ	C518	87-010-378-080		CAP, ELECT 10-16V
SW9	87-036-110-010		SW, MICRO SPPB62	C519	87-010-404-080		CAP, ELECT 4.7-50V<U,LH,HR>
W1	82-ZM3-601-019		RBN,CORD 4P-75	C519	87-010-378-080		CAP, ELECT 10-16V<EZ,K>
HEAD-1 C.B				C520	87-010-404-080		CAP, ELECT 4.7-50V<U,LH,HR>
	85-ZM3-602-010		PWB,FLEX A	C520	87-010-378-080		CAP, ELECT 10-16V<EZ,K>
HEAD-2 C.B				C521	87-010-400-080		CAP, ELECT 0.47-50V<U,LH,HR>
	85-ZM3-602-010		PWB,FLEX A	C521	87-010-378-080		CAP, ELECT 10-16V<EZ,K>
PRO C.B				C522	87-010-378-080		CAP, ELECT 10-16V
C101	87-012-368-080		C-CAP,S 0.1-50 F	C523	87-010-400-080		CAP, ELECT 0.47-50V
				C524	87-016-081-080		C-CAP,S 0.1-16 RK
				C525	87-010-248-080		CAP, ELECT 220-10V
				C526	87-012-140-080		CAP 470P
				C527	87-010-186-080		CAP,CHIP 4700P
				C528	87-010-186-080		CAP,CHIP 4700P
				C529	87-010-404-080		CAP, ELECT 4.7-50V
				C532	87-A10-229-080		C-CAP,S 0.68-10 K W5
				C533	87-012-393-080		C-CAP,S 0.22-16 R K
				C534	87-012-393-080		C-CAP,S 0.22-16 R K
				C535	87-010-404-080		CAP, ELECT 4.7-50V
				C536	87-010-404-080		CAP, ELECT 4.7-50V
				C537	87-012-393-080		C-CAP,S 0.22-16 R K
				C538	87-012-393-080		C-CAP,S 0.22-16 R K
				C539	87-016-081-080		C-CAP,S 0.1-16 RK

REF. NO.	PART NO.	KANRI NO.	DESCRIPTION	REF. NO.	PART NO.	KANRI NO.	DESCRIPTION
C542	87-016-081-080		C-CAP,S 0.1-16 RK	C622	87-A10-201-080		C-CAP,S 0.33-16 BK<EZ,K>
C543	87-016-081-080		C-CAP,S 0.1-16 RK	C701	87-010-401-080		CAP, ELECT 1-50V
C546	87-016-081-080		C-CAP,S 0.1-16 RK	C702	87-010-401-080		CAP, ELECT 1-50V
C548	87-010-178-080		C-CAP,S 1000P-50 BK<EZ,K>	C703	87-010-263-080		CAP, ELECT 100-10V
C549	87-010-178-080		C-CAP,S 1000P-50 BK<EZ,K>	C707	87-016-526-080		C-CAP,S 0.47-16 BK
C550	87-010-314-080		C-CAP,S 22P-50 CH<EZ,K>	C708	87-016-526-080		C-CAP,S 0.47-16 BK
C604	87-010-319-080		C-CAP,S 56P-50 CH	C709	87-010-380-080		CAP, ELECT 47-16V
C605	87-010-319-080		C-CAP,S 56P-50 CH	C712	87-010-197-080		C-CAP,S 0.01-25 BK<EZ,K>
C606	87-016-526-080		C-CAP,S 0.47-16 BK	C713	87-010-178-080		C-CAP,S 1000P-50 BK<EZ,K>
C607	87-010-197-080		CAP, CHIP 0.01 DM	FB106	87-008-372-080		FILTER, EMIBLOI RNI<U,LH,HR>
C608	87-010-180-080		C-CER 1500P	FB512	87-008-372-080		FILTER, EMIBLOI RNI<EZ,K>
C609	87-010-197-080		CAP, CHIP 0.01 DM	FB516	87-008-474-080		F-BEAD, BL02RNL-R62T<EZ,K>
C610	87-010-197-080		CAP, CHIP 0.01 DM	FB705	87-008-372-080		FILTER, EMIBLOI RNI<EZ,K>
C611	87-010-197-080		CAP, CHIP 0.01 DM	J201	87-A60-380-010		JACK,PIN 3P O/W/R YKC21-3
C612	87-010-181-080		CAP,CHIP S 1800P	L201	87-003-383-010		COIL,1UH-S
C613	87-010-196-080		CHIP CAPACITOR,0.1-25	L301	87-003-383-010		COIL,1UH-S
C615	87-010-263-080		CAP, ELECT 100-10V	L601	87-005-212-080		COIL,220UH
C616	87-010-404-080		CAP, ELECT 4.7-50V	R215	87-A00-257-080		RES,M/F 0.15-1W J
C617	87-010-196-080		CHIP CAPACITOR,0.1-25	R315	87-A00-257-080		RES,M/F 0.15-1W J
C618	87-010-263-080		CAP, ELECT 100-10V	R524	87-022-365-080		C-RES,S 100K-1/10W F
C621	87-010-403-080		CAP, ELECT 3.3-50V				
C622	87-012-141-080		C-CAP,S 0.22-16 ZP<U,LH,HR>				

○ チップ抵抗部品コード/CHIP RESISTOR PART CODE

チップ抵抗部品コードの成り立ち
Chip Resistor Part Coding



チップ抵抗
Chip resistor

容量 Wattage	種類 Type	許容誤差 Tolerance	記号 Symbol	寸法/Dimensions (mm)			抵抗コード : A Resistor Code: A	
				外形/Form	L	W		t
1/16W	1608	±5%	CJ		1.6	0.8	0.45	108
1/10W	2125	±5%	CJ		2	1.25	0.45	118
1/8W	3216	±5%	CJ		3.2	1.6	0.55	128

TRANSISTOR ILLUSTRATION



E C B

KTA1266GR
KTC3198GR



E C B

CSD1489B
CSB1058B



E C B

2SA933S



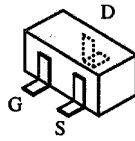
G D S

2SK2723

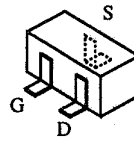


B C E

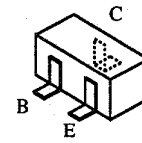
2SB1370
FN1016
FP1016
2SD2061E



2SK2158



2SK543



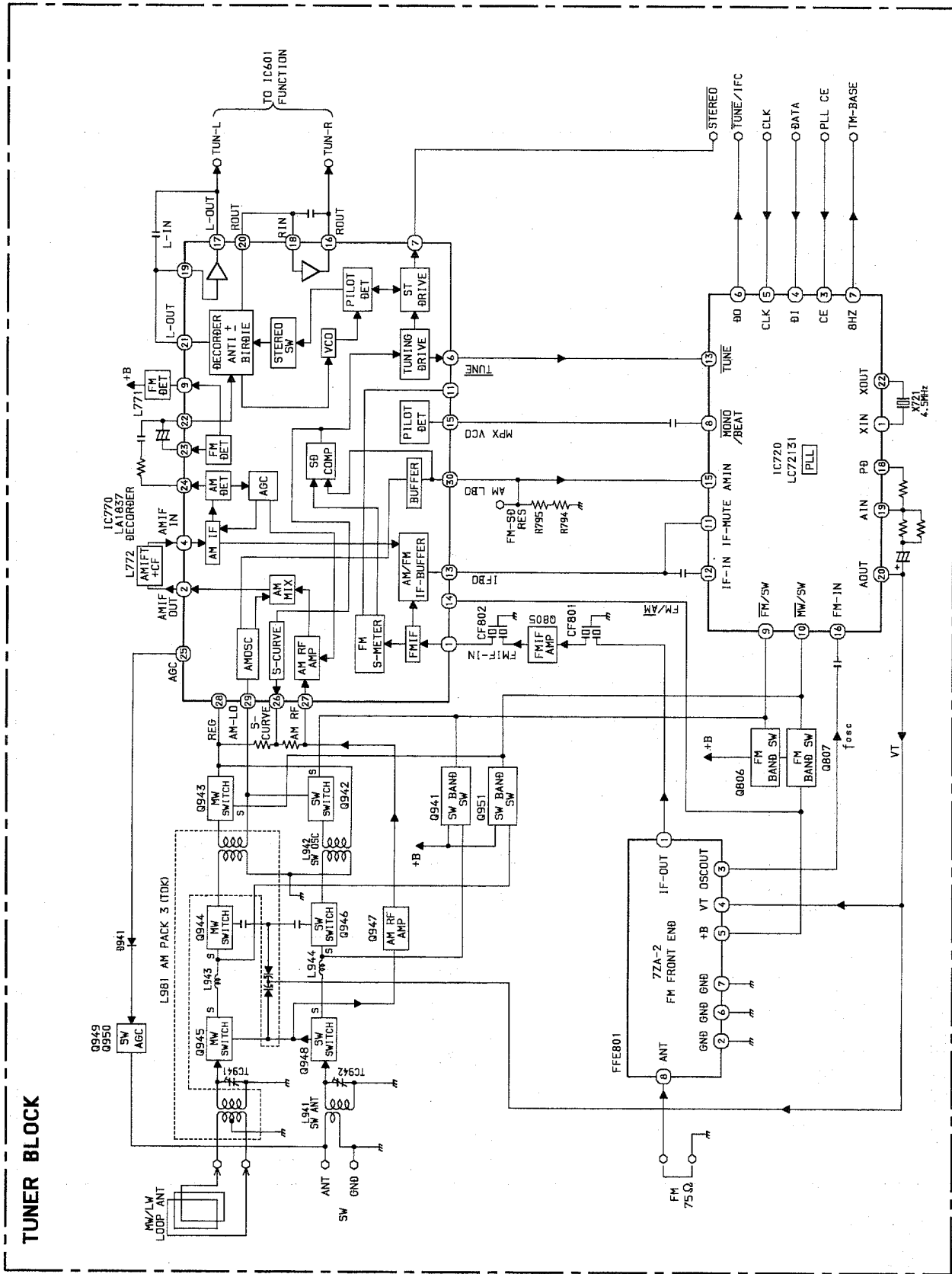
2SC2714	DTA144WS
RN1410	CSA1362GR
2SC3052F	RT1N144C
2SA1235F	CSD1306E
RT1N141C	CMBT5551
RT1P141C	RT1P144C



E B C

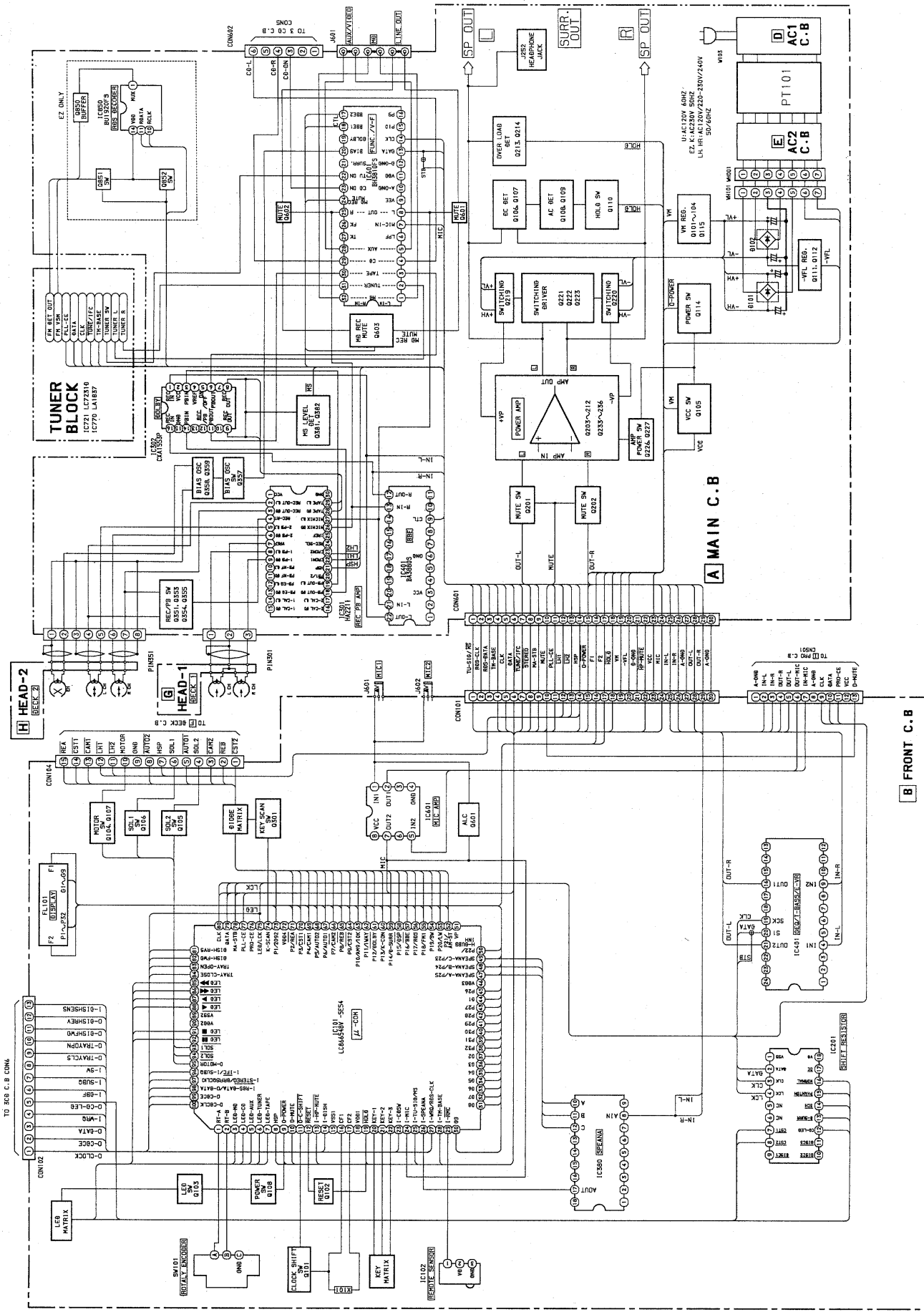
C2N5401
C2N5551

BLOCK DIAGRAM - 2 (TUNER : HR)

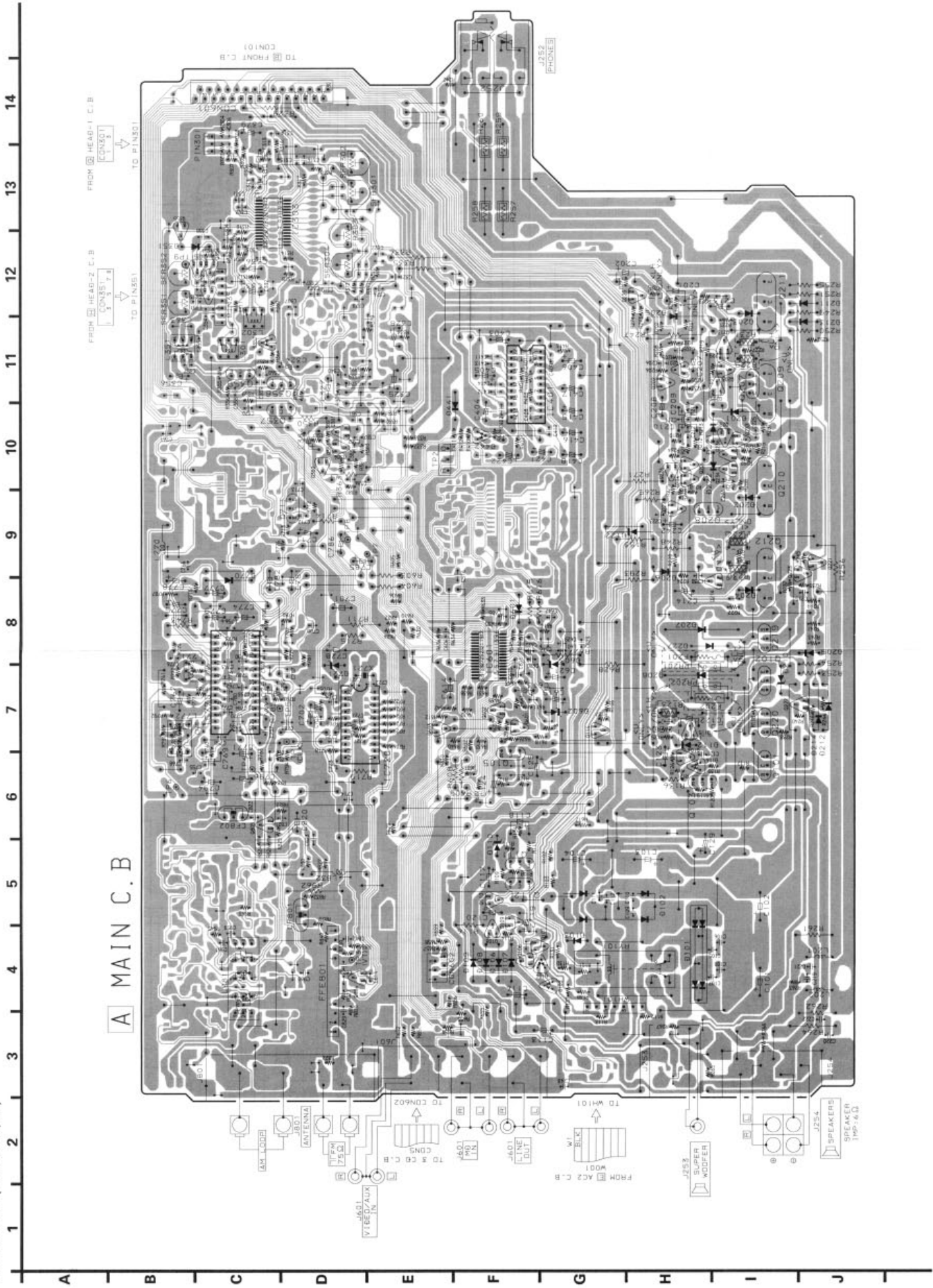


TUNER BLOCK

BLOCK DIAGRAM - 5 (MAIN / FRONT)



WIRING - 1 (MAIN: U, LH)



A MAIN C.B.

FROM HEAD-2 C.B.
CONSOLE
5 3 7 4
TO PIN351

FROM HEAD-1 C.B.
CONSOLE
1 2
TO PIN301

TD FRONT C.B.
CN101

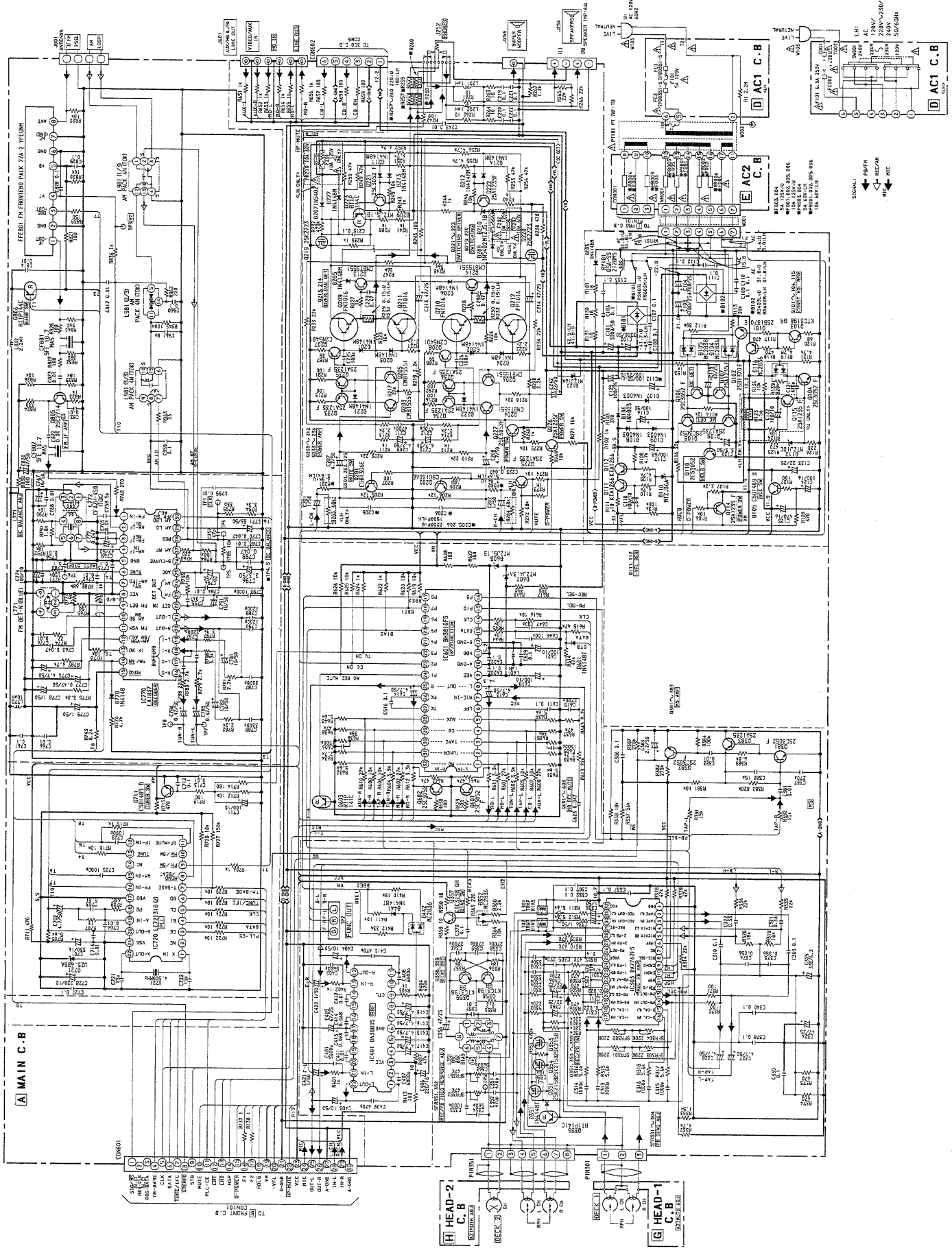
J252
PHONE

FRM AC2 C.B.
W1
BLK
W01
TD WH101

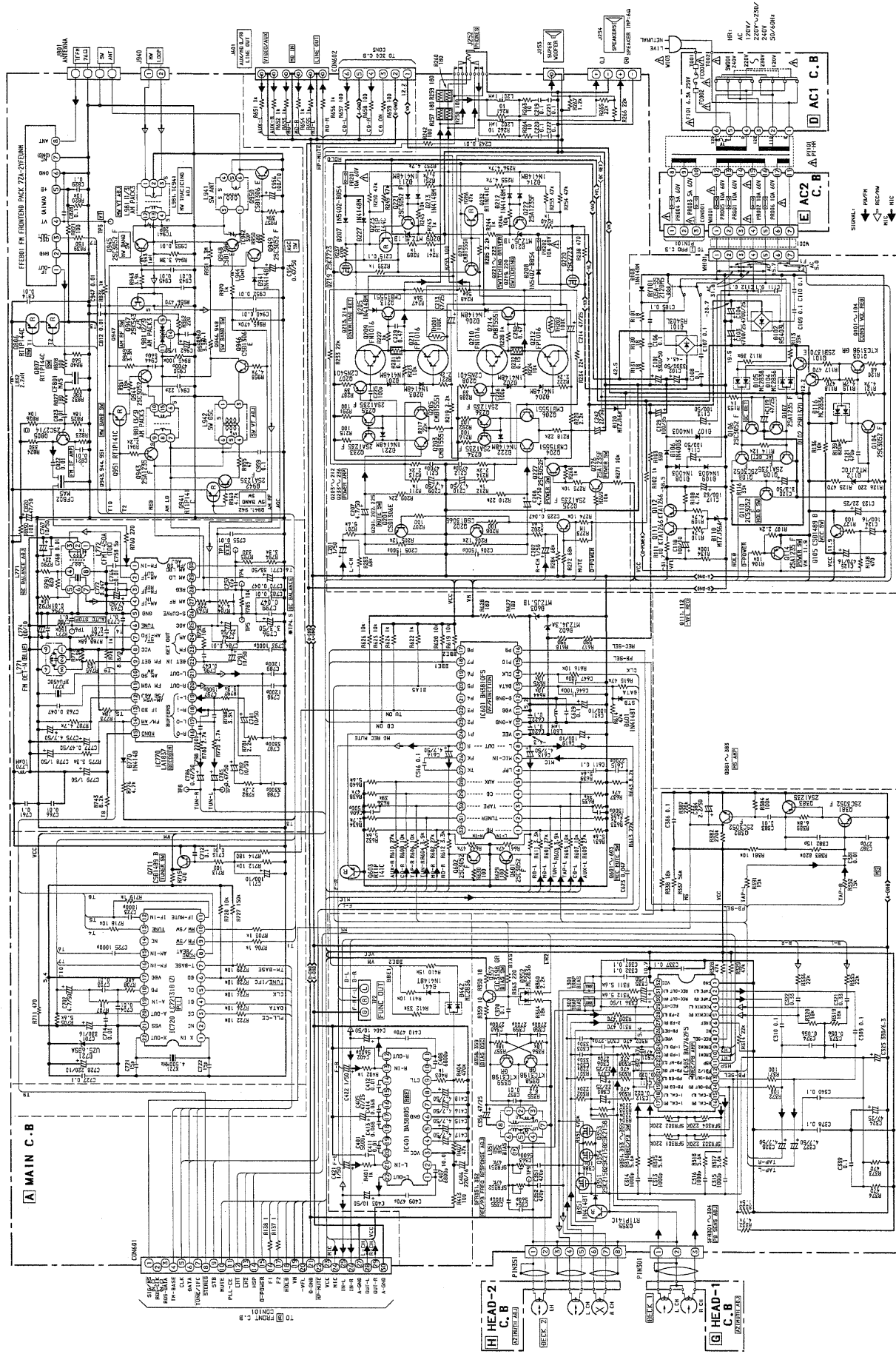
J253
SUPER
WOOFER

J254
SPEAKERS
IMP-4.0

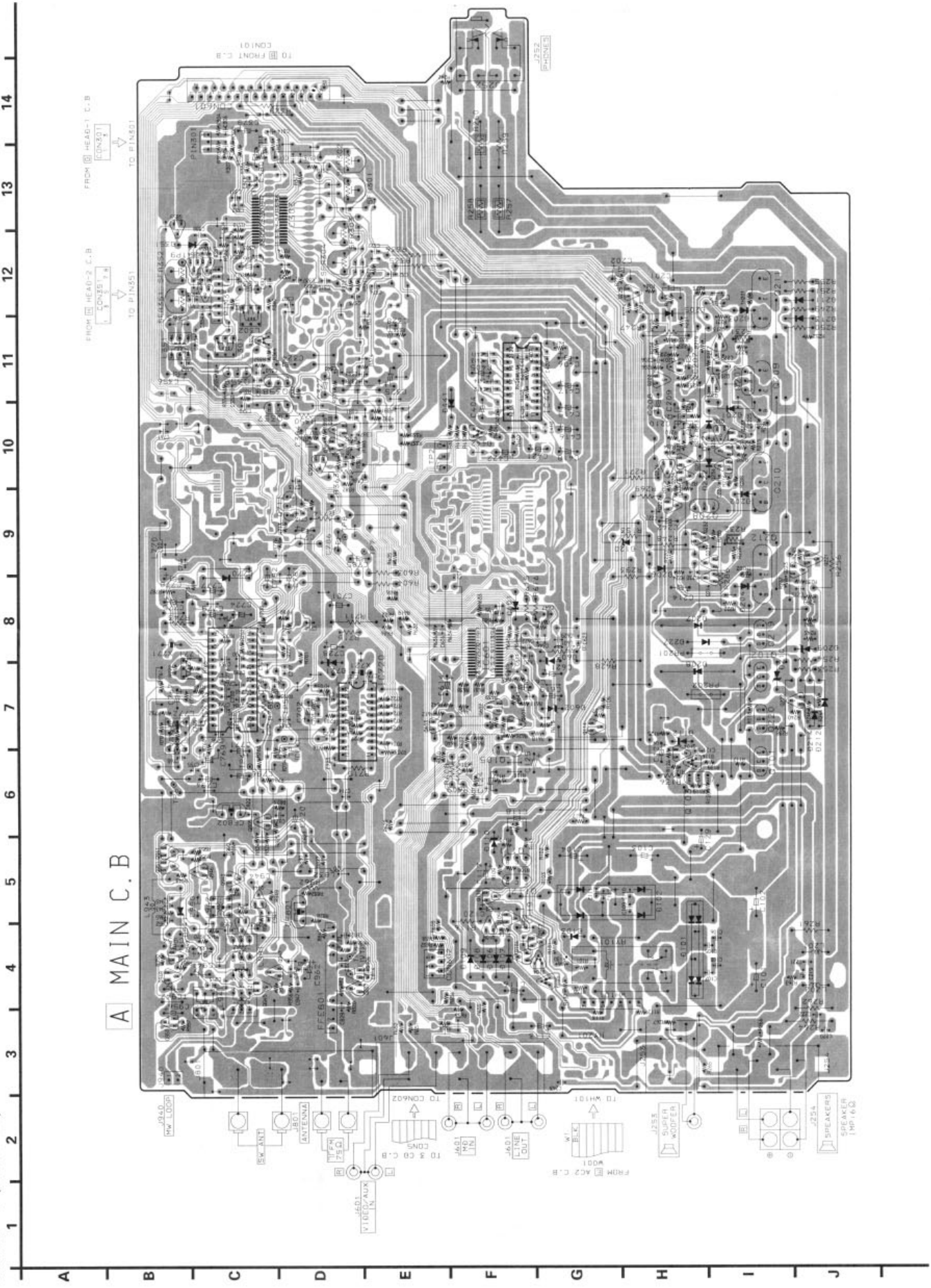
SCHEMATIC DIAGRAM - 1 (MAIN : U.LH)



SCHEMATIC DIAGRAM -2 (MAIN : HR)

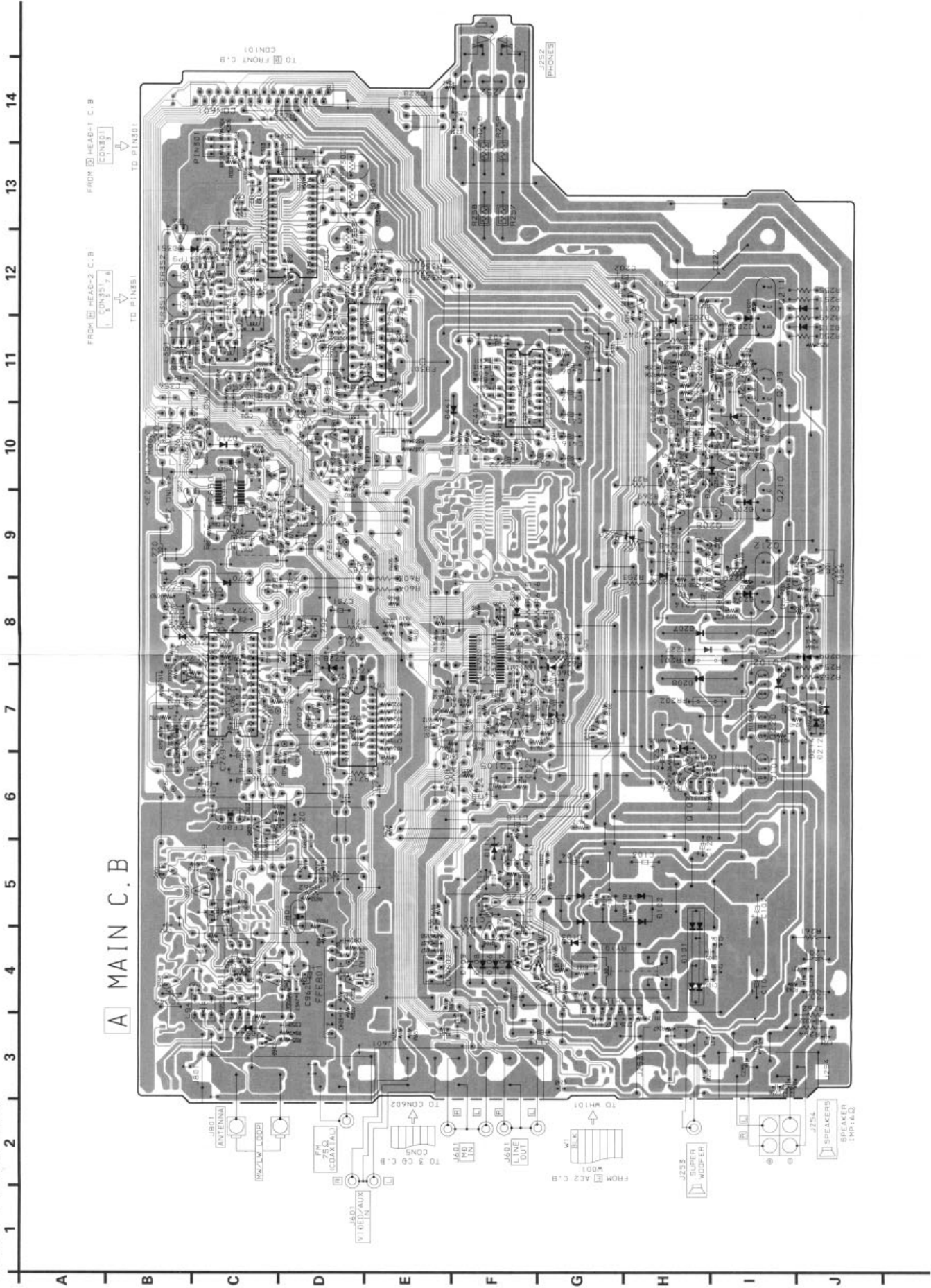


WIRING-2 (MAIN: HR)

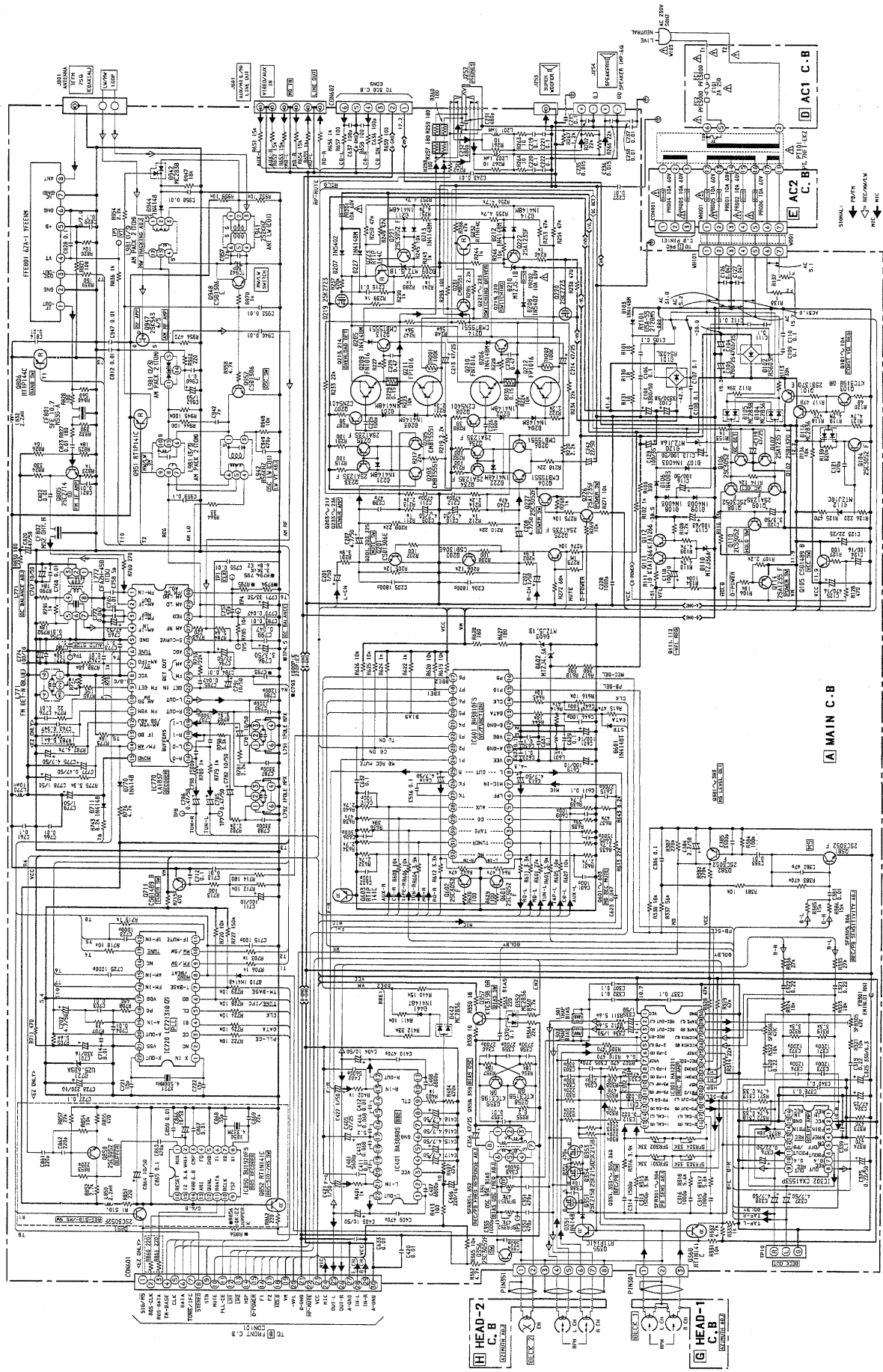


A MAIN C.B

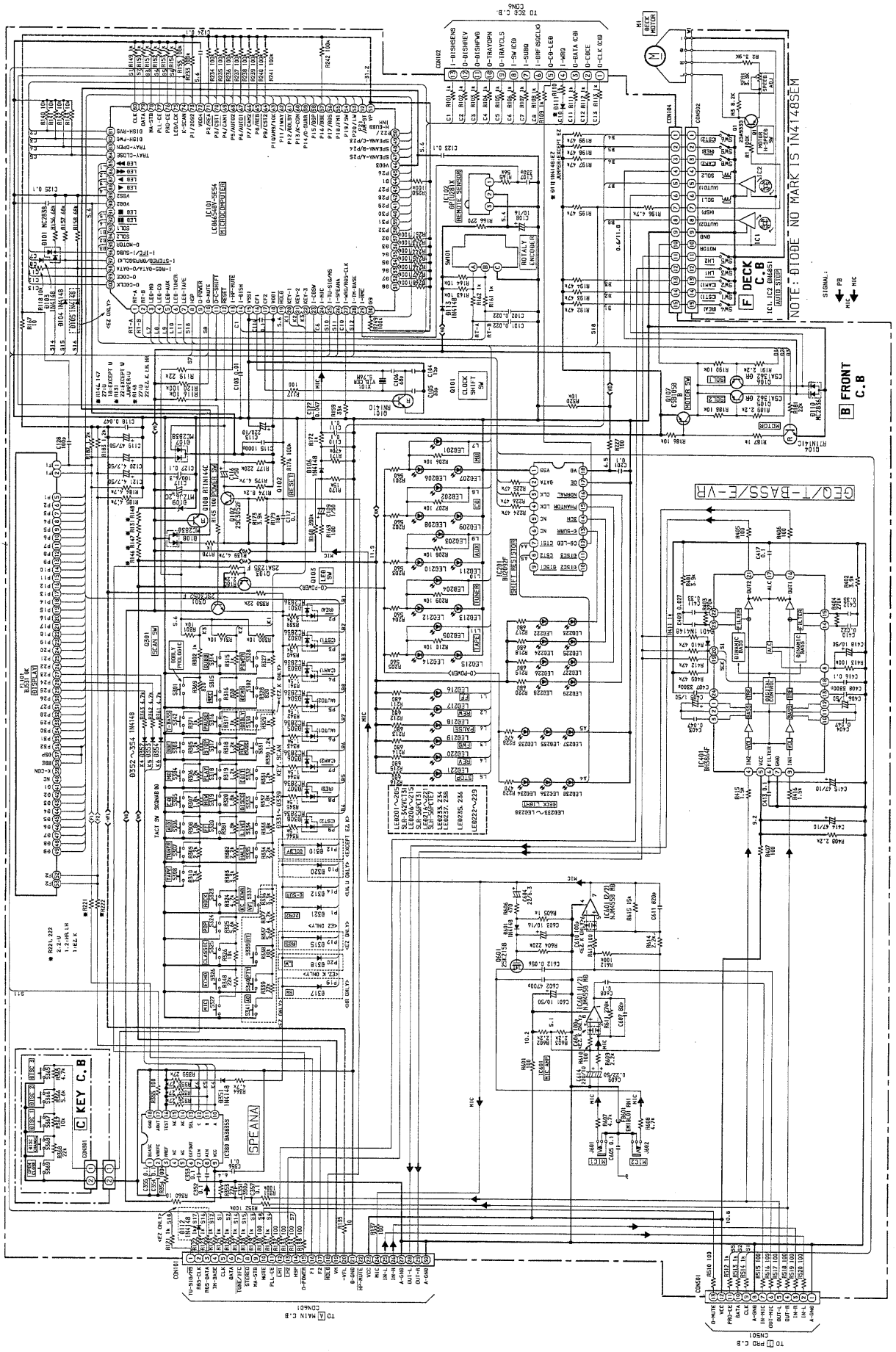
WIRING - 3 (MAIN: EZ,K)



SCHEMATIC DIAGRAM - 3 (MAIN: EZ-K)

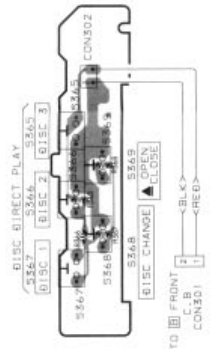


SCHEMATIC DIAGRAM - 4 (FRONT)

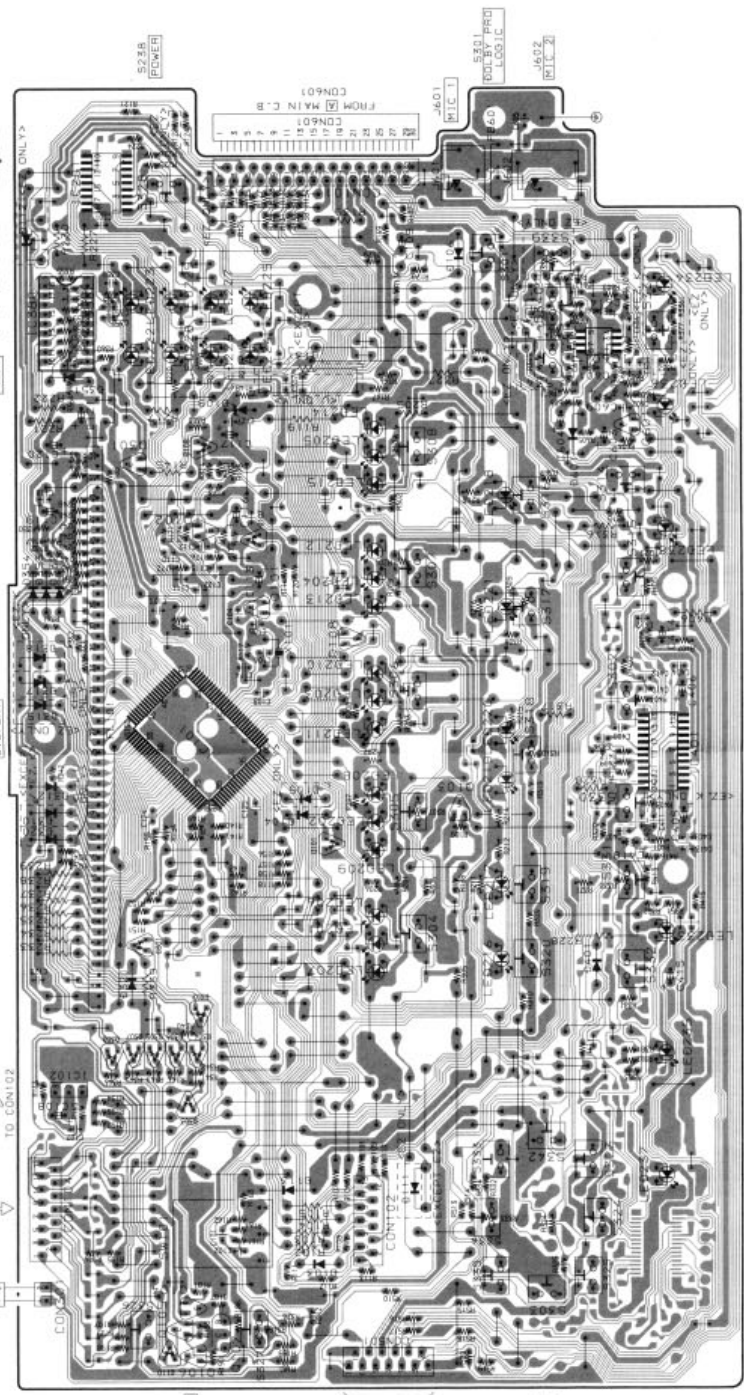


A B C D E F G H I J

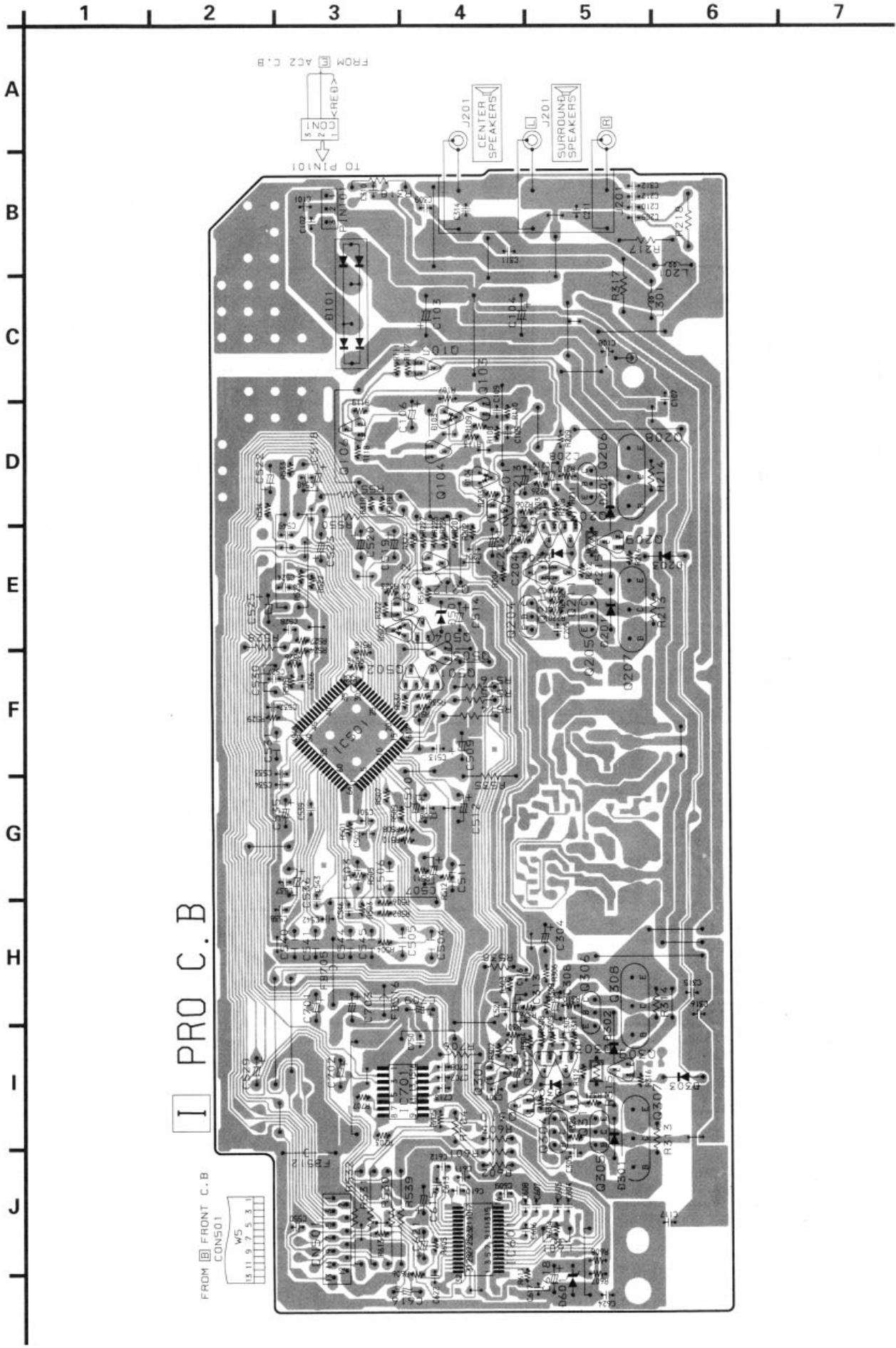
C KEY C.B



B FRONT C.B

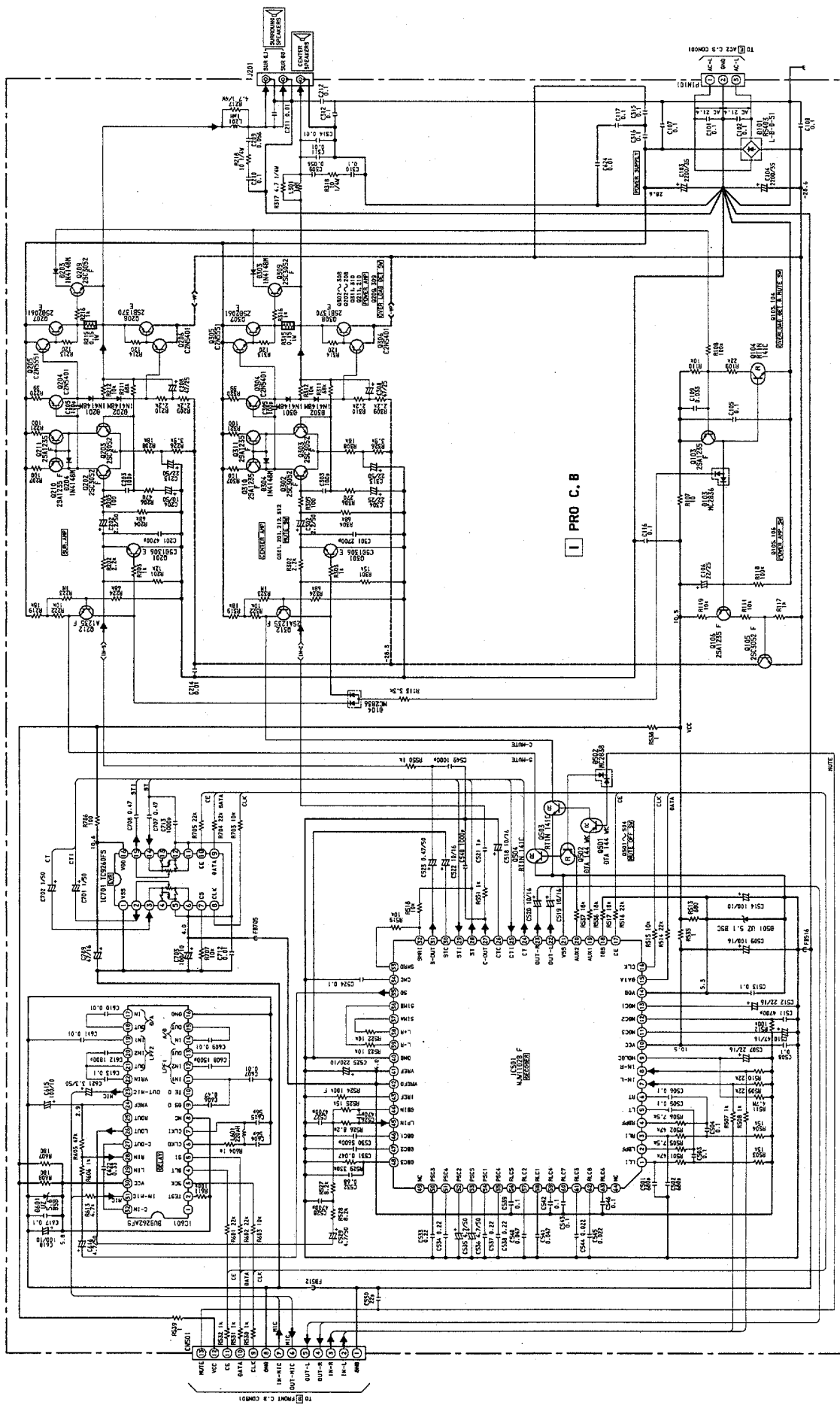


- S355 S334 S333 S324 S323 S322 S321 S320 S319 S318 S317 S316 S315 S314 S313 S312 S311 S310 S309 S308 S307 S306 S305 S304 S303 S302 S301 S300 S299 S298 S297 S296 S295 S294 S293 S292 S291 S290 S289 S288 S287 S286 S285 S284 S283 S282 S281 S280 S279 S278 S277 S276 S275 S274 S273 S272 S271 S270 S269 S268 S267 S266

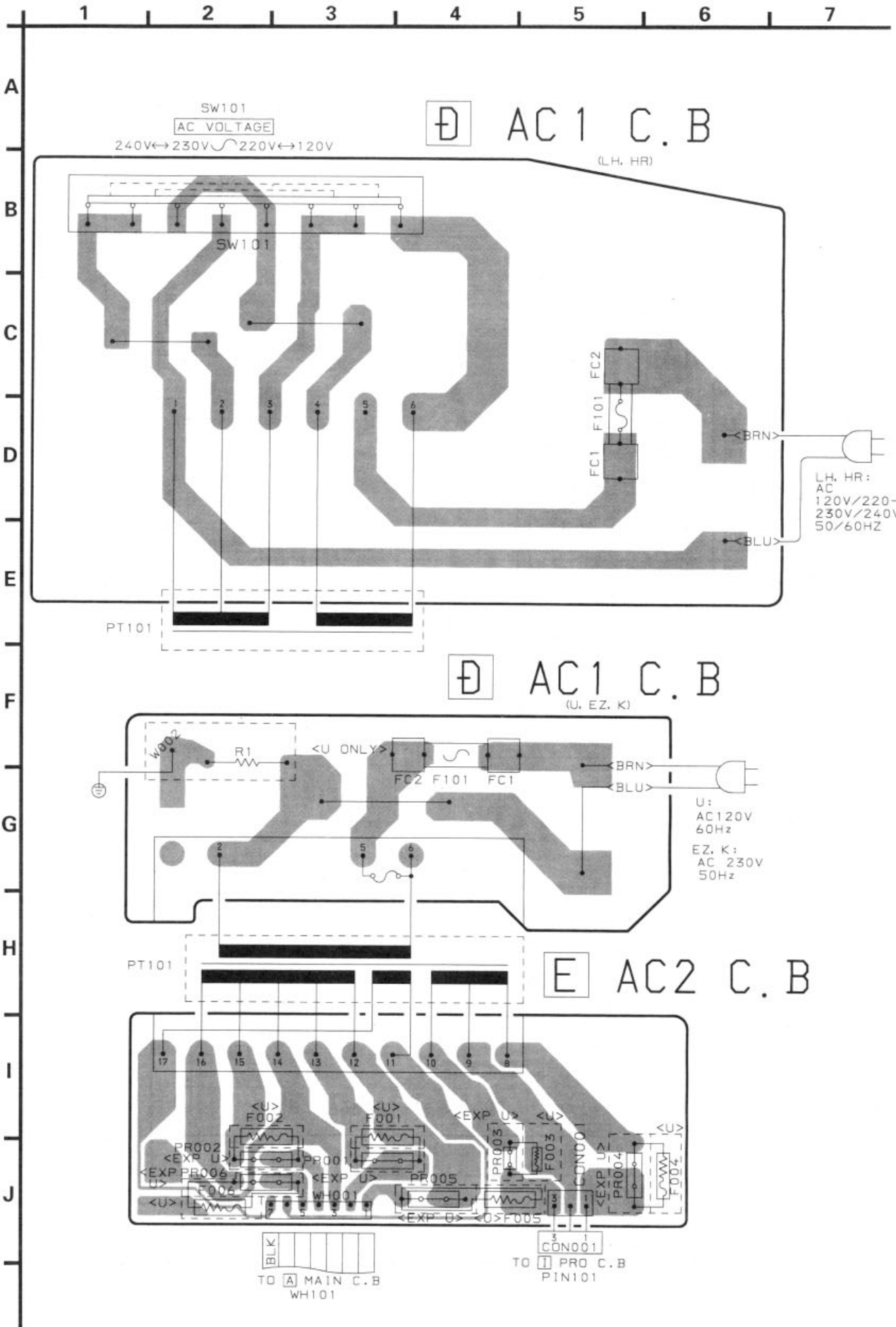


I PRO C.B.

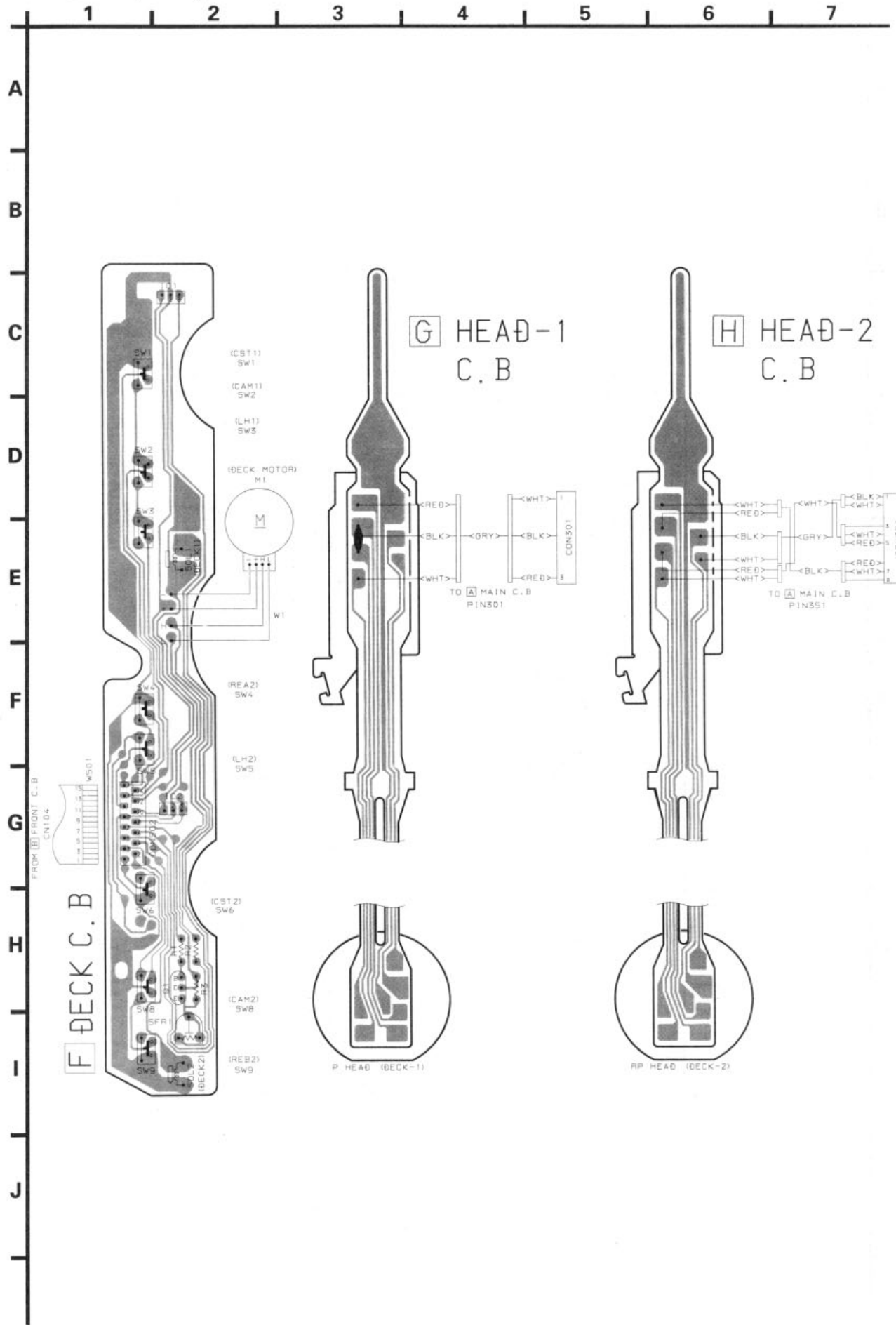
SCHEMATIC DIAGRAM - 6 (PRO: EZ,K)



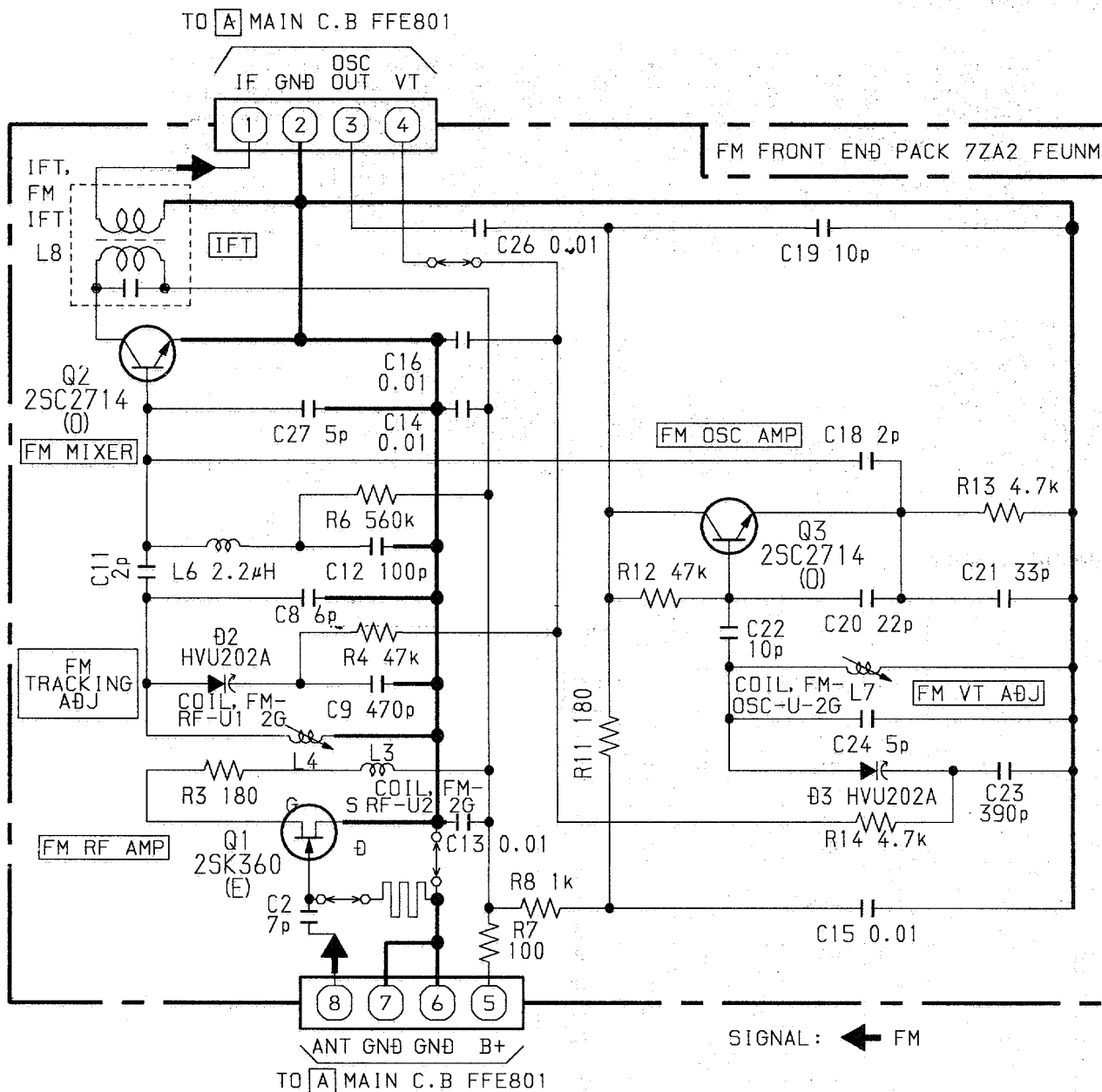
WIRING - 7 (AC)



WIRING - 8 (DECK)

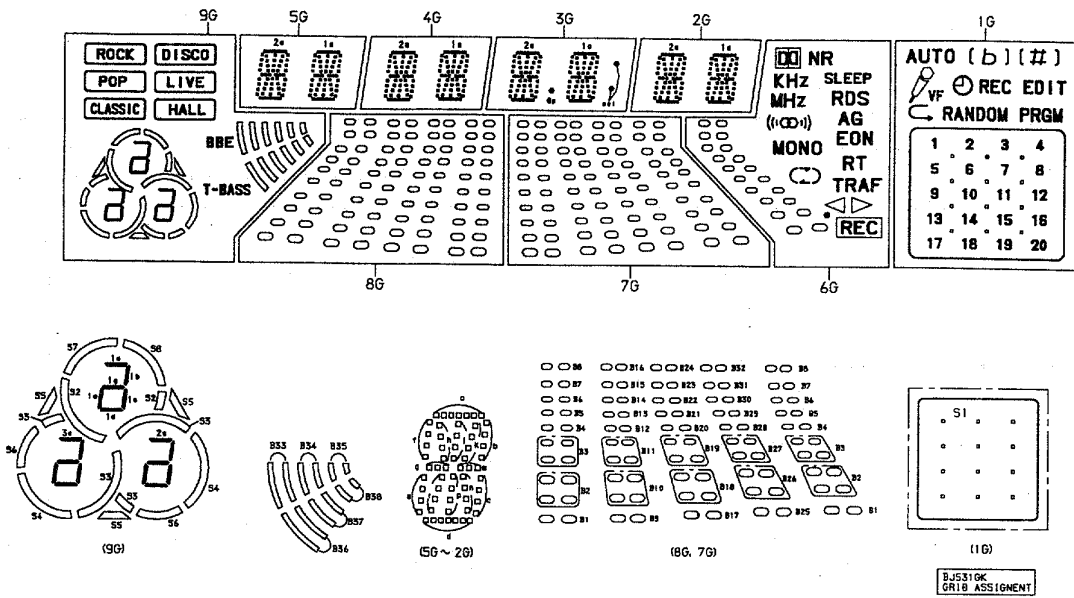


SCHMATIC DIAGRAM - 7 (TUNER FRONT END : U,LH,HR)



FL GRID ASSIGNMENT & ANODE CONNECTION

GRID ASSIGNMENT



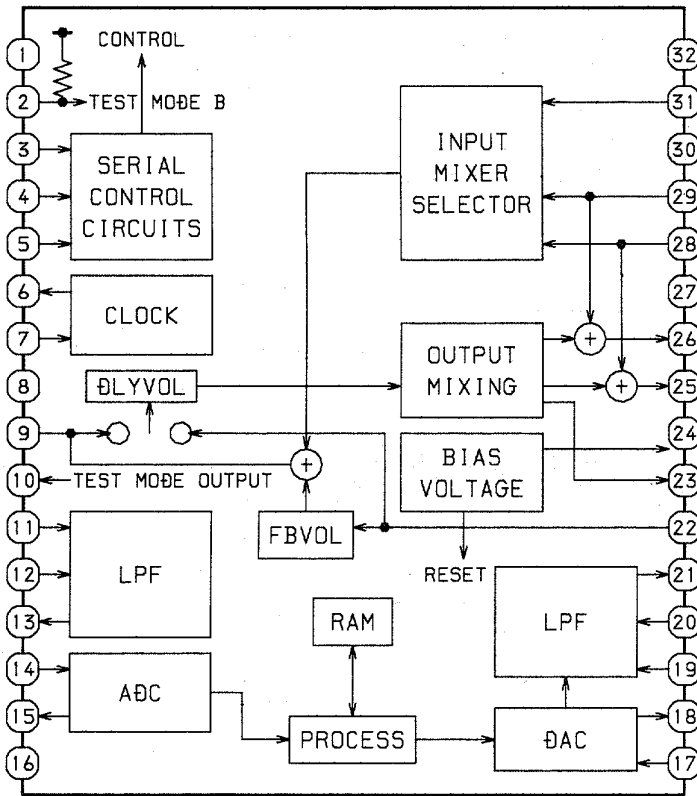
ANODE CONNECTION

	9G	8G, 7G	6G	5G, 4G	3G	2G	1G
P1	S8	B32	▷	-	col(F)	-	RANDOM
P2	S2	B24	◁	1d	1d	1d	-
P3	1b	B16	SLEEP	1n	1n	1n	PRGM
P4	1c	B8	B8	1p	1p	1p	EDIT
P5	1e	B31	○	1r	1r	1r	1
P6	1a, 1d, 1g	B23	REC	1e	1e	1e	2
P7	2b	B15	KHz	1c	1c	1c	3
P8	2c	B7	B7	1g	1g	1g	4
P9	2a	B30	MHz	1m	1m	1m	5
P10	2a, 2d, 2g	B22	-	1f	1f	1f	6
P11	3b	B14	NR	1b	1b	1b	7
P12	3c	B6	B6	1k	1k	1k	8
P13	3e	B29	RDS	1j	1j	1j	9
P14	3a, 3d, 3g	B21	-	1h	1h	1h	10
P15	S3	B13	-	1o	1o	1o	11
P16	S5	B5	B5	-	col(L)	-	12
P17	S7	B28	-	-	⊖p	-	13
P18	S4	B20	-	2d	2d	2d	14
P19	S6	B12	-	2n	2n	2n	15
P20	(HALL)	B4	B4	2p	2p	2p	16
P21	(LIVE)	B27	AG	2r	2r	2r	17
P22	(DISCO)	B19	((OO))	2e	2e	2e	18
P23	(CLASSIC)	B11	EON	2c	2c	2c	19
P24	(POP)	B3	B3	2g	2g	2g	20
P25	(ROCK)	B26	RT	2m	2m	2m	AUTO
P26	B36	B18	MONO	2f	2f	2f	VF
P27	B37	B10	TRAF	2b	2b	2b	⊖
P28	B38	B2	B2	2k	2k	2k	REC
P29	B33	B25)	2l	2l	2l	↶
P30	B34	B17	⌒	2h	2h	2h	(#)
P31	B35	B9	(2a	2a	2a	(b)
P32	S9 T-BASS	B1	B1	-	-	-	S1
P33	S10	-	-	-	-	-	-
P34	BBE	-	-	-	-	-	-
P35	-	-	-	-	-	-	b #

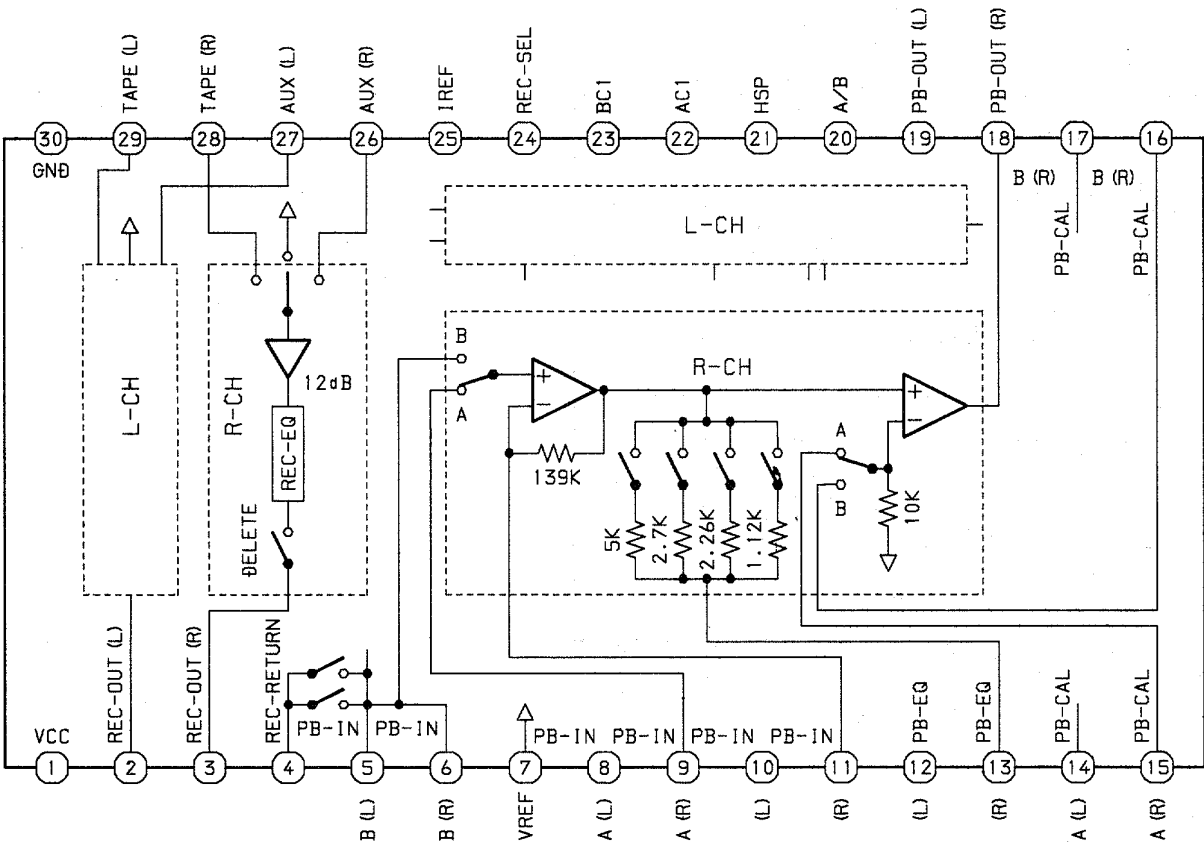
BJ531GK
ANODE CONNECTION

IC BLOCK DIAGRAM

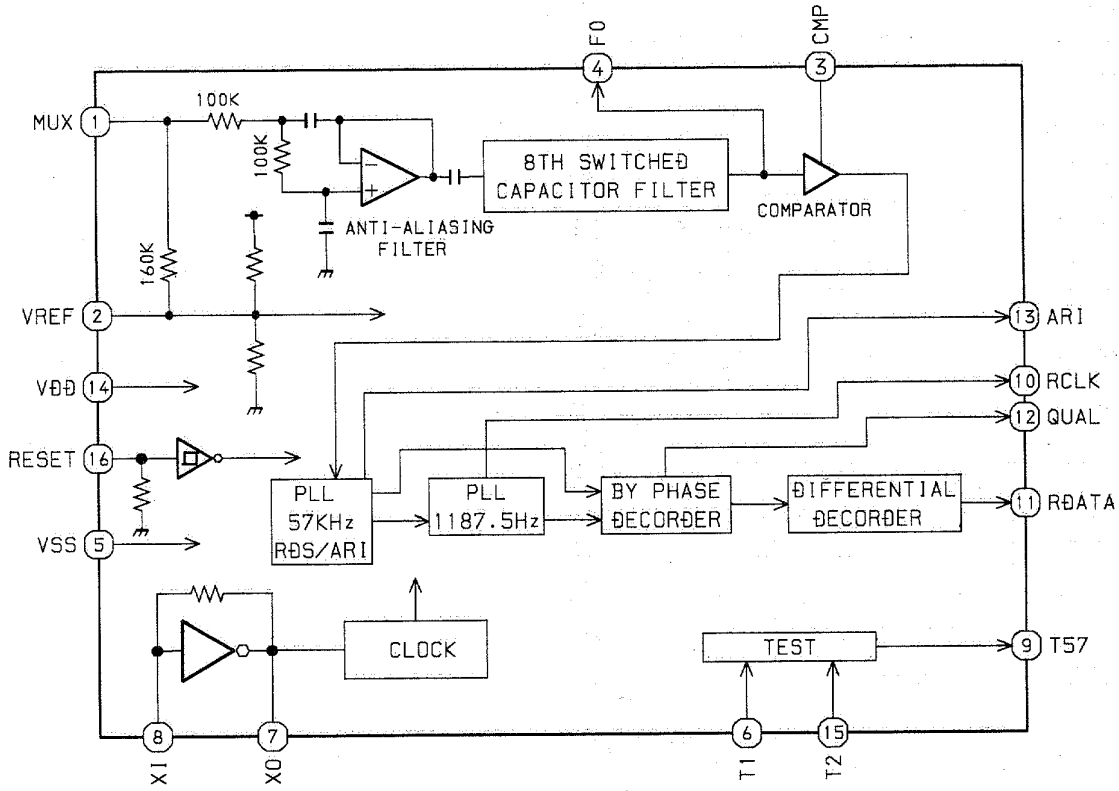
IC, BU9262AFS



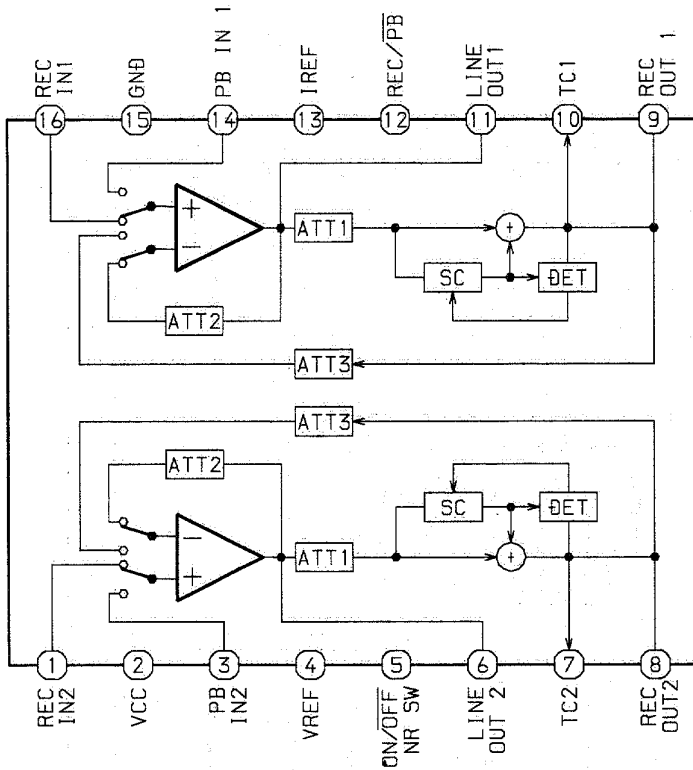
IC, HA12211NT



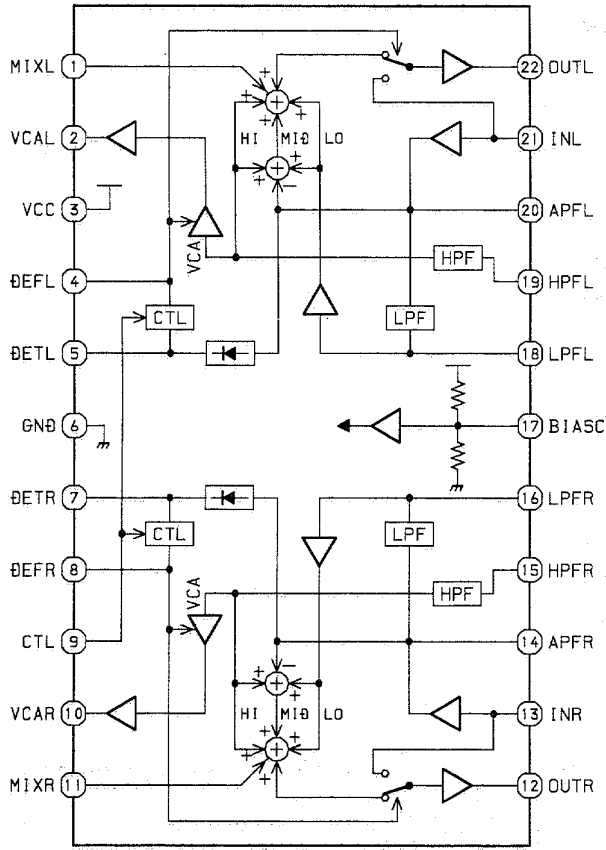
IC, BU1920S



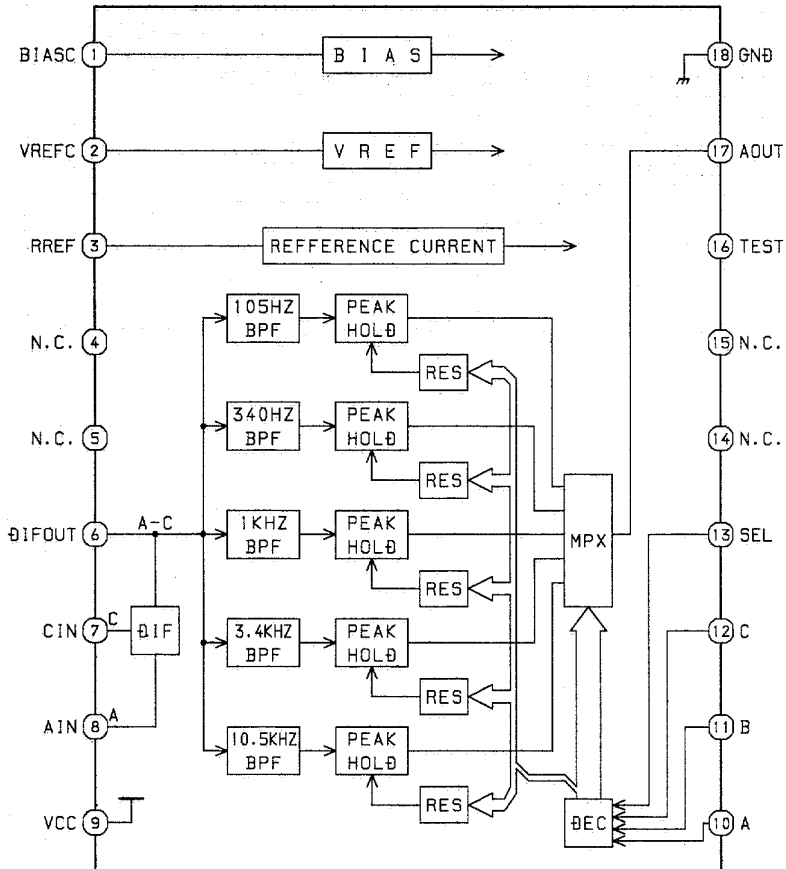
IC, CXA1553P



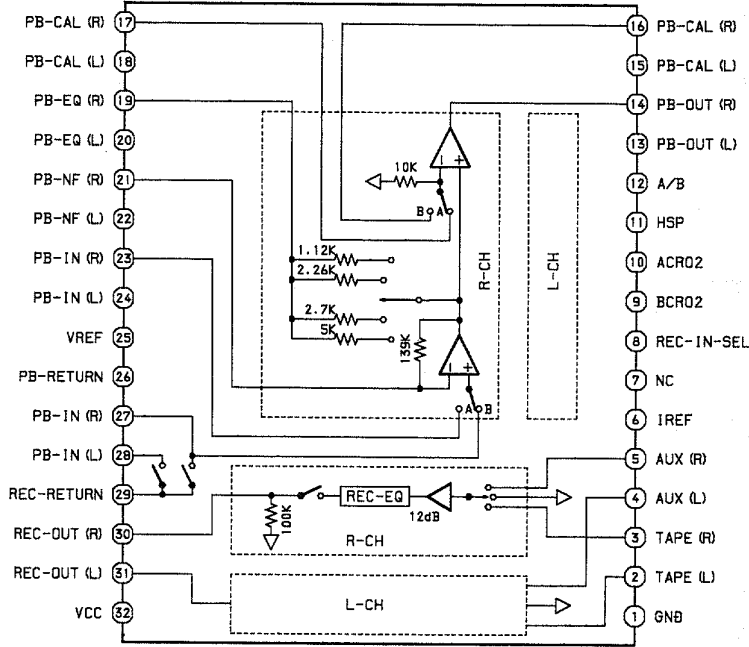
IC, BA3880S



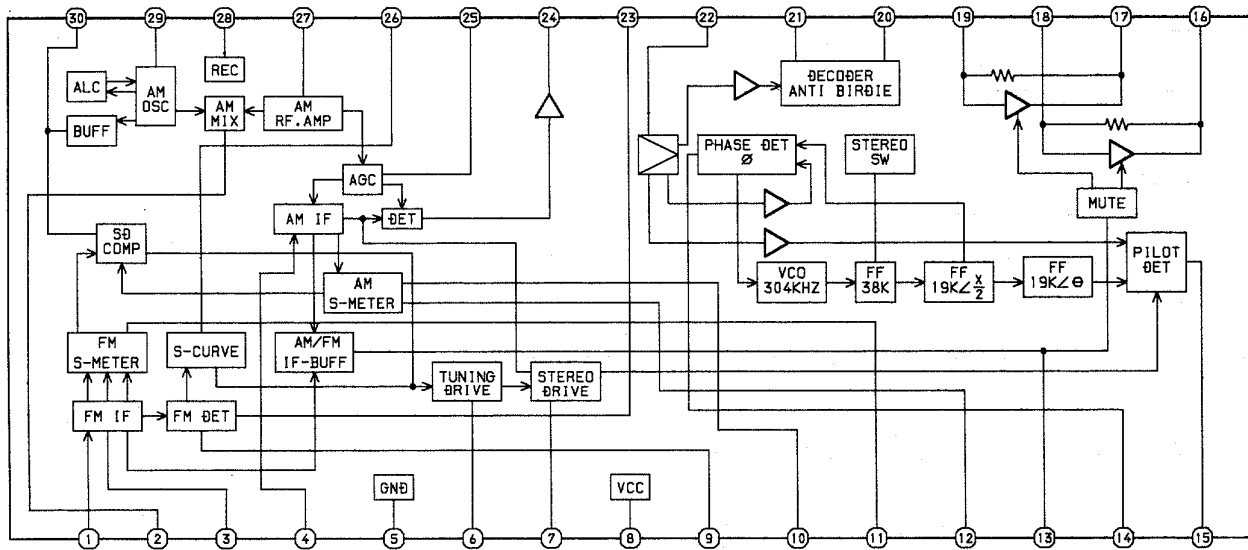
IC, BA3835S



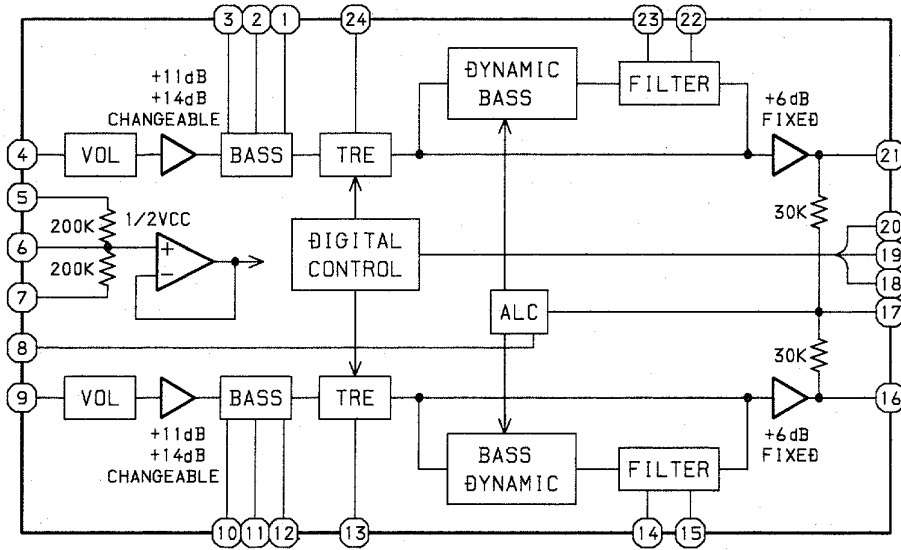
IC, BA7762FS



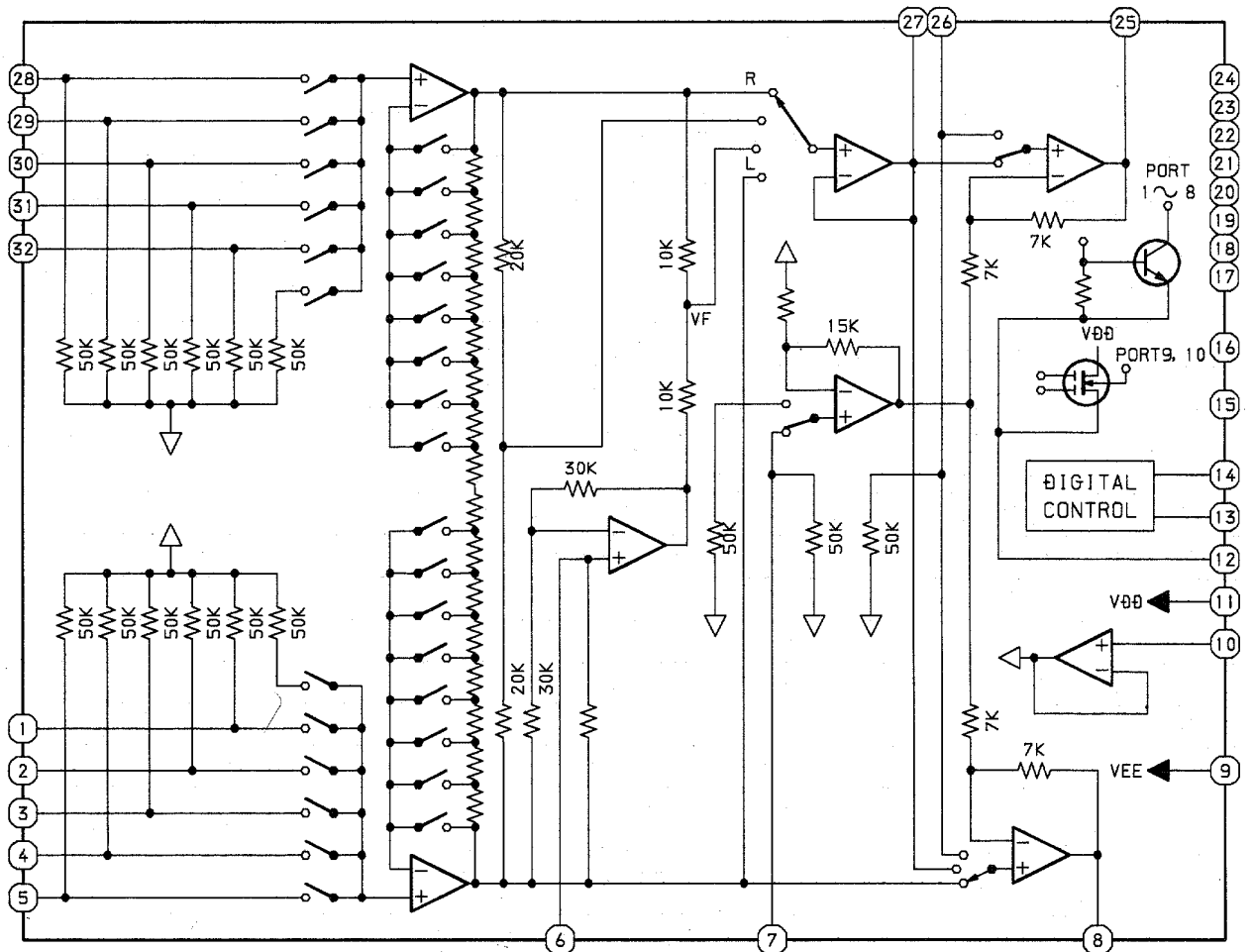
IC, LA1837



IC, BH3864F



IC, BH3810FS



IC DESCRIPTION

IC, LC866548V-5E54

Pin No.	Pin Name	I/O	Description
1	RT-A	I	Rotary encoder A input.
2	RT-B	I	Rotary encoder B input.
3	$\overline{\text{LED-MD}}$	O	"MD" LED $\overline{\text{ON/OFF}}$ output.
4	$\overline{\text{LED-CD}}$	O	"CD " LED $\overline{\text{ON/OFF}}$ output.
5	$\overline{\text{LED-AUX}}$	O	"AUX" LED $\overline{\text{ON/OFF}}$ output.
6	$\overline{\text{LED-TUNER}}$	O	"TUNER" LED $\overline{\text{ON/OFF}}$ output.
7	$\overline{\text{LED-TAPE}}$	O	"TAPE" LED $\overline{\text{ON/OFF}}$ output.
8	HSP	O	Tape deck motor high speed $\overline{\text{ON/OFF}}$ output.
9	$\overline{\text{O-POWER}}$	O	System power supply $\overline{\text{ON/OFF}}$ output.
10	$\overline{\text{O-MUTE}}$	O	System mute $\overline{\text{ON/OFF}}$ output.
11	$\overline{\text{O-CLK-SHIFT}}$	O	U-COM clock shift output.
12	$\overline{\text{RESET}}$	I	Reset input.
13	$\overline{\text{I-HP-MUTE}}$	-	Not connected.
14	I-DISH	I	CD turntable photo sensor A/D converter input.
15	VSS 1	-	GND.
16	CF 1	-	5.76MHz oscillator circuit.
17	CF 2	-	
18	VDD 1	-	Power supply input.
19	$\overline{\text{HOLD}}$	I	Power failure detected input "1" to stop clock and main memory.
20	KEY-1	I	KEY input.(A/D)
21	KEY-2	I	
22	KEY-3	I	
23	I-CD SW	I	CD mechanical switch A/D converter input.
24	I-MIC	I	Microphone input for AUTO VF display.
25	$\overline{\text{I-TU-SIG/MS}}$	I	Tuner signal and deck music sensor signal input.
26	I-SPEANA	I	A/D input for spectrum analyzer display.
27	I-WRQ/RDS-CLK	I	CD WRQ input . TUNER RDS CLOCK input.
28	I-TM-BASE	I	REFERENCE CLOCK input for timer watch.
29	$\overline{\text{I-RMC}}$	I	System remote control signal input.
30~37	G9~G2	O	FL GRID output G2~G9.
38~43	P32~P27	O	FL SEGMENT output P27~P32.
44	G1	O	FL grid output G1.
45	P26	-	FL SEGMENT output P26.
46	VDD3	-	Power supply input.
47	SPEANA-A/P25	O	Spectrum analyzer band switching output /FL segment P25 output.
48	SPEANA-B/P24	O	Spectrum analyzer band switching output /FL segment P24 output.
49	SPEANA-C/P23	O	Spectrum analyzer band switching output /FL segment P23 output.
50	P22/H-DUBB INH	I/O	FL segment P22 output / high dubbing inhibit input to diode.
51	VP	-	Power supply input for FL display.
52	P21/AM-ST	I/O	FL segment P21 output / AM stereo input to diode.
53	P20/LW	I/O	FL segment P20 output / LW mode data input to diode.
54	P19/SW	I/O	FL segment P19 output / SW mode data input to diode.

Pin No.	Pin Name	I/O	Description
55	P18/FM 1	I/O	FL segment P18 output / FM1 (OIRT) data input to diode.
56	P17/RDS	I/O	FL segment P17 output / RDS data input to diode.
57	P16/ $\overline{\text{BBE}}$	I/O	FL segment P16 output / BBE data input to diode.
58	P15/ $\overline{\text{DSP}}$	I/O	FL segment P15 output / DSP data input to diode.
59	P14/D-SURR	I/O	FL segment P14 output / DOLBY-SURR data input to diode.
60	P13/K-CON	I/O	FL segment P13 output / K-CON data input to diode.
61	P12/ $\overline{\text{DOLBY}}$	I/O	FL segment P12 output / DOLBY data input to diode.
62	P11/WAY	I/O	FL segment P11 output / DECK/WAY MECHA data input to diode.
63	P10/AM-9K/10K	I/O	FL segment P10 output / INITIAL AM 10 kHz step data input to diode.
64	P9/ $\overline{\text{CST 2}}$	I/O	FL segment P9 output / DECK2 cassette detect switch data input.
65	P8/ $\overline{\text{REB}}$	I/O	FL segment P8 output / DECK2 side-B record OK switch data input.
66	P7/ $\overline{\text{CAM 2}}$	I/O	FL segment P7 output / DECK2 CAM switch data input.
67	P6/AUTO 1	I/O	FL segment P6 output / DECK1 AUTO stop signal input.
68	P5/AUTO 2	I/O	FL segment P5 output / DECK2 AUTO stop signal input.
69	P4/ $\overline{\text{CAM 1}}$	I/O	FL segment P4 output / DECK1 CAM switch data input.
70	P3/ $\overline{\text{CST 1}}$	I/O	FL segment P3 output / DECK1 cassette detect switch data input.
71	P2/ $\overline{\text{REA}}$	I/O	FL segment P2 output / DECK2 side A record OK switch data input.
72	VDD 4	-	Power supply input.
73	P1/2092	I/O	FL segment P1 output / SHIFT resistor IC 2092 data input to diode.
74	K-SCAN	O	Switch SCAN timing output.
75	LED/LCK	O	Latch clock output for front shift resistor.
76	PRO-CE	O	PRO LOGIC IC chip enable output.(Not used.)
77	PLL-CE	O	PLL IC chip enable output.
78	MA-STB	O	Latch strobe output for Main C.B.
79	DATA	O	DATA output for Main, Front C.B.
80	CLK	O	CLOCK output for Main,Front C.B.
81	DISH-RVS	O	CD turntable reverse rotation output.
82	DISH-FWD	O	CD turntable forward rotation output.
83	TRAY-OPEN	O	CD TRAY OPEN data output.
84	TRAY-CLOSE	O	CD TRAY CLOSE data output.
85	$\overline{\text{LED}} \blacktriangleright\blacktriangleright$	O	$\blacktriangleright\blacktriangleright$ LED $\overline{\text{ON/OFF}}$ output.
86	$\overline{\text{LED}} \blacktriangleleft\blacktriangleleft$	O	$\blacktriangleleft\blacktriangleleft$ LED $\overline{\text{ON/OFF}}$ output.
87	$\overline{\text{LED}} \blacktriangleright$	O	\blacktriangleright LED $\overline{\text{ON/OFF}}$ output.
88	$\overline{\text{LED}} \blacktriangleleft$	O	\blacktriangleleft LED $\overline{\text{ON/OFF}}$ output.
89	VSS 2	-	GND.
90	VDD 2	-	Power supply input.
91	$\overline{\text{LED}} \blacksquare$	O	\blacksquare LED $\overline{\text{ON/OFF}}$ output.
92	$\overline{\text{LED}} \blacksquare\blacksquare$	O	$\blacksquare\blacksquare$ LED $\overline{\text{ON/OFF}}$ output.
93	$\overline{\text{SOL 1}}$	O	DECK 1 Solenoid output.
94	$\overline{\text{SOL 2}}$	O	DECK 2 Solenoid output.
95	O-MOTOR	O	DECK MOTOR ON/OFF output.
96	I- $\overline{\text{IFCI}}$ -SUB Q	I	Tune IF count serial data input /CD SUB Q data input.

Pin No.	Pin Name	I/O	Description
97	I-STEREO/O-SQCLK	I/O	Tuner stereo detected input/CD SQ CLOCK output.
98	I-RDS-DATA/O-DATA	I/O	RDS data input/CD data output.
99	O-CDCE	O	CD CE output.
100	O-CDCLK	O	CD CLOCK output.

IC, LC72131

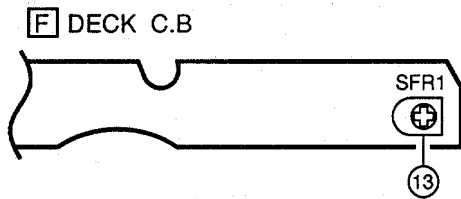
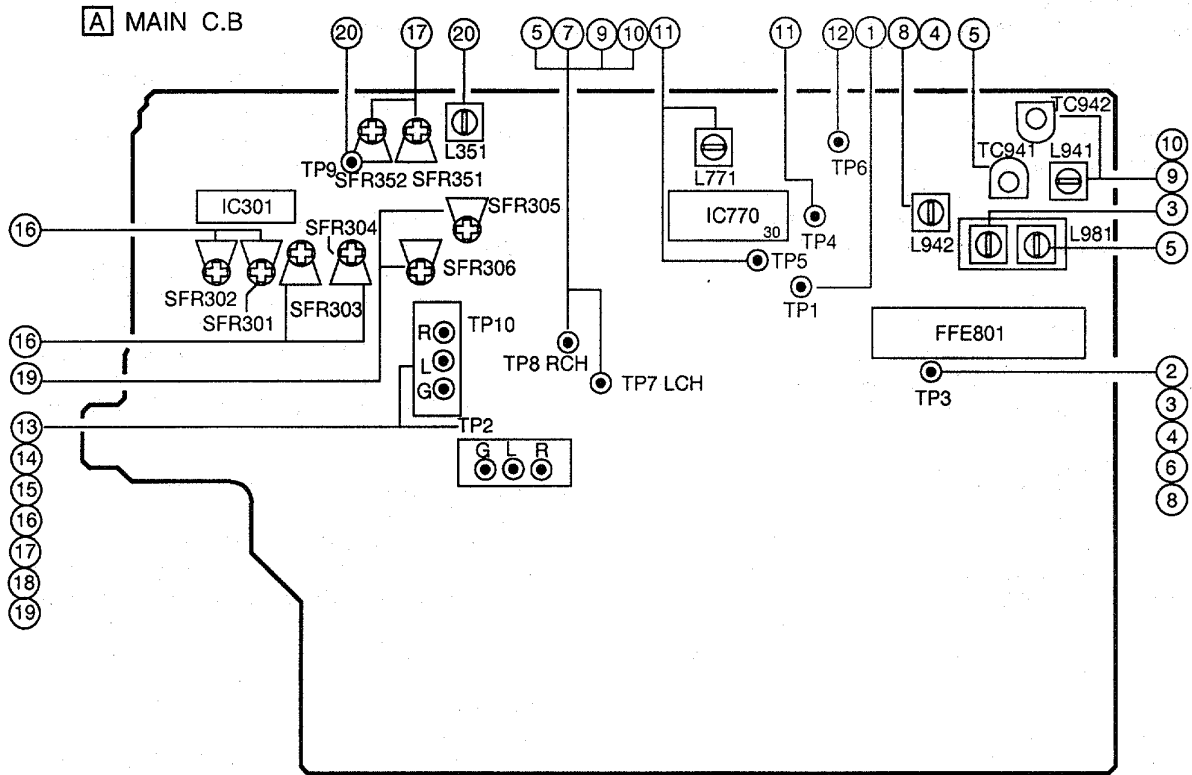
Pin No.	Pin Name	I/O	Description																								
1	XIN	I/O	A crystal oscillator (7.2MHz) is connected between these pins.																								
22	XOUT																										
2	NC	-	Not used.																								
3	CE	I	To enable the IC. Active "H".																								
4	DI	I	Digital data input from CPU (LC866548V-5E54) when relevant key is operated. Active "H".																								
5	CL	I	To clock in the data DI.																								
6	DO	O	Digital data output to CPU (LC866548V-5E54).																								
7	T-BASE	O	Outputs a reference clock signal (8Hz) for the clock.																								
8	MONO / BEAT	O	Outputs "H" when MONO / BEAT is switched.																								
9	FM / SW	O	Output "L" or "H" as follows: <table border="1" style="margin-left: 20px;"> <thead> <tr> <th colspan="2">2 BAND</th> <th colspan="3">3 BAND</th> <th colspan="3">3 BAND</th> </tr> <tr> <th>AM</th> <th>FM</th> <th>LW</th> <th>MW</th> <th>FM</th> <th>MW</th> <th>SW</th> <th>FM</th> </tr> </thead> <tbody> <tr> <td>H</td> <td>L</td> <td>H</td> <td>H</td> <td>L</td> <td>H</td> <td>L</td> <td>L</td> </tr> </tbody> </table>	2 BAND		3 BAND			3 BAND			AM	FM	LW	MW	FM	MW	SW	FM	H	L	H	H	L	H	L	L
2 BAND		3 BAND			3 BAND																						
AM	FM	LW	MW	FM	MW	SW	FM																				
H	L	H	H	L	H	L	L																				
10	MW / SW	O	Outputs "L" or "H" as follows: <table border="1" style="margin-left: 20px;"> <thead> <tr> <th colspan="2">2 BAND</th> <th colspan="3">3 BAND</th> <th colspan="3">3 BAND</th> </tr> <tr> <th>AM</th> <th>FM</th> <th>LW</th> <th>MW</th> <th>FM</th> <th>MW</th> <th>SW</th> <th>FM</th> </tr> </thead> <tbody> <tr> <td>L</td> <td>L</td> <td>H</td> <td>L</td> <td>L</td> <td>L</td> <td>H</td> <td>L</td> </tr> </tbody> </table>	2 BAND		3 BAND			3 BAND			AM	FM	LW	MW	FM	MW	SW	FM	L	L	H	L	L	L	H	L
2 BAND		3 BAND			3 BAND																						
AM	FM	LW	MW	FM	MW	SW	FM																				
L	L	H	L	L	L	H	L																				
11	IF-MUTE	O	To control internal counter.																								
12	IF-IN	I	General purpose counter input.																								
13	TUNE	I	Receives "L" when station is tuned.																								
14	NC	-	Not used.																								
15	AM-IN	I	Receives the AM local oscillator frequency signal.																								
16	FM-IN	I	Receives the FM local oscillator frequency signal.																								
17	VDD	-	Supply power to IC (+5V).																								
18	PD	O	PLL charge pump output.																								
19	A-IN	I	The MOS transistor for PLL active low pass filter.																								
20	A-OUT	O																									
21	VSS	-	Ground.																								

IC, NJW1102B

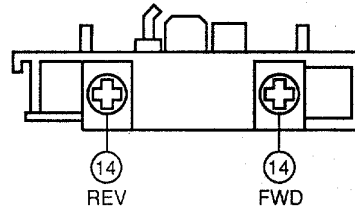
Pin No.	Pin Name	I/O	Description
1	LLI	I	L channel BPF in.
2	LBPF	O	L channel BPF feed back out.
3	RLI	I	R channel BPF in.
4	RBPF	O	R channel BPF feed back out.
5	LT	O	L channel selector #1 out.
6	RT	O	R channel selector #1 out.
7	LIN	I	L channel signal input.
8	RIN	I	R channel signal input.
9	HOLDC	I	Auto input balance control.
10	VCC	-	Power supply.
11~13	NGC 3~1	I	Noise sequencer control.
14	VDD	-	Power supply.
15	DATA	I	Serial data input.
16	SCK	I	Serial clock input.
17	REQ	I	Serial request (strobe) input.
18	IDS	I	ID select sw.
19	AUX1	O	AUX1 output (serial data change parallel output).
20	AUX2	O	AUX2 output (serial data change parallel output).
21	VSS	-	GND.
22	LOUT	O	L channel signal output.
23	ROUT	O	R channel signal output.
24	CT	O	Center channel output (before trimmer).
25	CTI	I	Center channel trimmer input.
26	CTC	O	Center channel trimmer coupling capacitor out.
27	COUT	O	Center channel trimmer output.
28	ST	O	Surround channel output (before trimmer).
29	STI	I	Surround channel trimmer input.
30	STC	O	Surround channel trimmer coupling capacitor out.
31	SOUT	O	Surround channel trimmer output.
32	SMRI	I	Surround channel amp (front L,R mix) input.
33	SMRO	O	Surround channel amp (front L,R mix) output.
34	CMC	O	Center mode control.
35	SD	O	Selector #2 output (to surround channel delay).
36	SIMB	I	Selector #2 input B (L-R).
37	SIMA	I	Selector #2 input A (L+R).
38	L+R	O	L+R channel output.
39	L-R	O	L-R channel output.
40	GND	-	Ground.
41	VREF	I	VREF in.
42	VREFG	O	Vref out.
43	IREF	I	Iref in.

44	DBIN	I	To modify B NR decoder input.
45	LPIN	I	From surround channel delay input.
46~48	DBC 1~3	I	Dolby B NR control 1~3.
49	NC	-	Not used.
50~55	PSC 1~6	I	Dual time constant and threshold switches control.
56~63	RLC 1~8	I	Full wave rectifier and log difference amp control.
64	NC	-	Not used.

ADJUSTMENT <TUNER / DECK>



DECK-1 P, DECK-2 R / P / E HEAD



< TUNER SECTION >

1. Clock Check
 Settings : • Test point : TP1
 Method : Set to MW 1710kHz[U,LH,HR], 1602kHz[EZ,K] and check that the test point is 2160kHz \pm 0.045kHz [U,LH,HR], 2052kHz \pm 0.045kHz[EZ,K]
2. AM(MW) VT Check (U,LH,EZ,K)
 Settings : • Test point : TP3 (VT)
 Method : Set to AM(MW) 1710kHz, 1602kHz and check that the test point is 6.0V \pm 1.0V [U,LH], 7.5V \pm 1.0V [EZ,K]
3. MW VT Adjustment (HR)
 Settings : • Test point : TP3 (VT)
 • Adjustment location : L981
 Method : Set to MW 1710kHz and adjust L981 so that the test point becomes 8.5V \pm 0.05V. Then set to MW 530kHz and check that the test point is more than 0.3V.
4. LW VT Adjustment (EZ,K)
 Settings : • Test point : TP3 (VT)
 • Adjustment location : L942
 Method : Set to LW 144kHz and adjust L942 so that the test point becomes 1.3V \pm 0.05V.
5. AM(MW) Tracking Adjustment
 Settings : • Test point : TP7, TP8
 • Adjustment location :
 L981 1000kHz [U,LH]
 L981 999kHz [EZ,K]
 L981 600kHz [HR]
 TC941 1400kHz [HR]
 Method : Set to AM(MW) 1000kHz[U,LH], 999kHz[EZ,K] and adjust L981 so that the test point becomes maximum.
 Set up TC941 to center before adjustment. The level at 600 kHz is adjusted to MAX by L981. Then the level at 1400 kHz is adjusted to MAX by TC941.[HR]

6. FM VT Check
 Settings : • Test point : TP3 (VT)
 Method : Set to FM 108.0MHz, 87.5MHz and check that the test point is less than 8.5V (108.0MHz), more than 1.5V (87.5MHz).
7. FM Tracking Check
 Settings : • Test point : TP7, TP8
 • Input level : adjustable
 Method : • Set to FM 98.0MHz and check that the test point is $2 \pm 6\text{dB}[\text{U,LH,HR}]$, $6 \pm 6\text{dB}[\text{EZ,K}]$.
8. SW VT Adjustment (HR)
 Settings : • Test point : TP3 (VT)
 • Adjustment location : L942
 Method : Set to SW 17.9MHz and adjust L942 so that the test point becomes $7.0\text{V} \pm 0.05\text{V}$.
9. SW Tracking Adjustment (HR)
 Settings : • Test point : TP7, TP8
 • Adjustment location :
 L941 5.9MHz
 TC942 17.9MHz
 Method : Set up TC942 to center before adjustment.
 The level at 5.9MHz is adjust to MAX by L941.
 Then the level at 17.9MHz is adjust to MAX by TC942.
10. LW Tracking Adjustment (EZ,K)
 Settings : • Test point : TP7, TP8
 • Input level : adjustable
 • Adjustment location :
 L941 144kHz
 TC942 290kHz
 Method : Set up TC942 to center before adjustment.
 The level at 144kHz is adjust to MAX by L941.
 Then the level at 290kHz is adjust to MAX by TC942.
11. DC Balance / Mono Distortion Adjustment
 Settings : • Test point : TP4, TP5
 • Adjustment location : L771
 • Input level : 54dB
 Method : Set to FM 98.0MHz and adjust L771 so that the voltage between TP4 and TP5 becomes $0\text{V} \pm 0.04\text{V}$.
 Next, check that the distortion is less than 1.3%
12. Auto Stop Level Check
 Settings : • Test point : TP6
 • Input level : adjustable
 Method : Set to FM 98.0 MHz and check that the voltage low about 0.1V. After that voltage high about 7.0V out by 2dB down.
- AM(MW)
 Settings : • Input level : adjustable
 Method : Check auto stop at AM(MW) 1000kHz[U,LH], MW 999kHz[EZ,K,HR] and the level is 35 ~ 60dB.
- FM
 Settings : • Input level : adjustable
 Method : Check auto stop at FM 98.0MHz and the level is $25\text{dB} \pm 10\text{dB}$.
- SW (HR)
 Settings : • Input level : adjustable
 Method : Check auto stop at SW 12MHz and the level is less than 60 dB.

< DECK SECTION >

13. Tape Speed Adjustment
 Settings : • Test tape : TTA-100
 • Test point : TP2[U,LH,HR], TP10[EZ,K]
 • Adjustment location : SFR1
 Method : Play back the test tape and adjust SFR1 so that the frequency counter reads $3000\text{Hz} \pm 5\text{Hz}$.
14. Head Azimuth Adjustment (DECK 1, DECK 2)
 Settings : • Test tape : TTA-300
 • Test point : TP2[U,LH,HR], TP10[EZ,K]
 • Adjustment location : Head azimuth adjustment screw
 Method : Play back the 10kHz signal of the test tape and adjust screw so that the output becomes maximum.
 Next, perform on each FWD PLAY and REV PLAY mode.
15. PB Frequency Response Check (DECK 1, DECK 2)
 Settings : • Test tape : TTA-300
 • Test point : TP2[U,LH,HR], TP10[EZ,K]
 Method : Play back the 315Hz and 10kHz signals of the test tape and check that the output ratio of the 10kHz signal with respect to that of the 315Hz signal is within 2dB.
16. PB Sensitivity Adjustment (DECK 1, DECK 2)
 Settings : • Test tape : TTA-200
 • Test point : TP2[U,LH,HR], TP10[EZ,K]
 • Adjustment location :
 SFR301 (DECK 1, Lch)
 SFR302 (DECK 1, Rch)
 SFR303 (DECK 2, Lch)
 SFR304 (DECK 2, Rch)
 Method : Play back the test tape and adjust SFRs so that the output level of the test point becomes 330mV (Deck1)[U,LH,HR], 300 mV(Deck 2)[U,LH,HR], 245 mV(Deck 1,2)[EZ,K].
17. REC/PB Frequency Response Adjustment
 Settings : • Test tape : TTA-602
 • Test point : TP2[U,LH,HR], TP10[EZ,K]
 • Input signal : 1kHz / 10kHz (LINE IN)
 • Adjustment location : SFR351 (Lch)
 SFR352 (Rch)
 Method : Apply a 1kHz signal and REC mode.
 Then adjust OSC attenuator so that the output level at the test point becomes 210mV[U,LH,HR], 170mV[EZ,K]. Record and play back the 1kHz and 10kHz signals and adjust SFRs so that the output of the 10kHz signals becomes $0\text{dB} \pm 0.5\text{dB}$ with respect to that of the 1kHz signal.
18. REC/PB Sensitivity Check (U,LH,HR)
 Settings : • Test tape : TTA-602
 • Test point : TP2
 • Input signal : 1kHz (LINE IN)
 Method : Apply a 1kHz signal and REC mode. Then adjust OSC attenuator so that the output level at the TP2 becomes 21mV. Record and play back the 1kHz signals and check that the output is $17\text{mV} \pm 3\text{dB}$.
19. REC/PB Sensitivity adjustment (EZ,K)
 Settings : • Test tape : TTA-602
 • Test point : TP10
 • Input signal : 1kHz (LINE IN)

- Adjustment location : SFR305 (Lch)
SFR306 (Rch)

Method : Apply a 1kHz signal and REC mode. Then adjust OSC attenuator so that the output level at the TP10 becomes 17mV. Record and play back the 1kHz signals and adjust the SFRs so that the output is 17mV \pm 0.5dB.

20. Bias OSC Frequency Adjustment

- Settings : • Test point : TP9
• Adjustment location : L351

Method : Set to the REC mode. Adjust L351 so that the frequency counter of the test point is 85kHz \pm 1kHz.

<SW SECTION> (HR)

Sensitivity : 38dB \pm 5dB (5.9MHz)
(S/N 20dB) 33dB \pm 5dB (12.0MHz)
30dB \pm 8dB (17.9MHz)
Distortion : Less than 1.5% (12.0MHz)
Intermediate frequency : 450kHz

<LW SECTION> (EZ,K)

Sensitivity : 66dB \pm 5dB (144kHz)
(S/N 20dB) 63dB \pm 5dB (198/290kHz)
Distortion : Less than 1.5% (198kHz)
Intermediate frequency : 450kHz

<DECK SECTION>

Tape speed : 3000Hz \pm 45Hz
Wow & flutter : Less than 0.18% (R.M.S)
Take-up torque : 30 ~ 55g-cm (FWD, REV)
F.F & REW torque : 75 ~ 180g-cm (F.F)
75 ~ 130g-cm (REW)
Back tension : 2 ~ 7g-cm (DECK1,2)
PB Output level : 330mV \pm 1dB (DECK1)[U,LH,HR]
300mV \pm 1dB (DECK2)[U,LH,HR]
300mV \pm 1dB (DECK1,2)[EZ,K]
REC/PB Output level : 180mV \pm 1dB
Distortion (REC/PB) : Less than 2.0% (NORM, CrO2,1kHz)
Noise level (PB/REC) : Less than 2.0mV (NORM, DOLBY OFF/
ON B.C)[U,LH,HR]
Less than 2.0/1.2mV (NORM, DOLBY
OFF/ON B.C)[EZ,K]
Less than 1.5mV (CrO2, DOLBY OFF/
ON B.C)[U,LH,HR]
Less than 1.5/0.9mV (CrO2, DOLBY
OFF/ON B.C)[EZ,K]
Crosstalk : More than 60dB (1kHz, NORM)
Channel separation : More than 30dB (1kHz, NORM)
Erasing ratio : More than 60dB (at 125Hz, CrO2)
Test tape : NORM : TTA-602
CrO2 : TTA-615

PRACTICAL SERVICE FIGURE

<TUNER SECTION>

<FM SECTION>

IHF Sensitivity : 2dB \pm 6dB (U,LH,HR)
6dB \pm 6dB (EZ,K)
[at 87.5 / 98.0MHz / 108.0MHz]

S/N 50dB Quieting sensitivity :

STEREO
30dB \pm 6dB (U,LH,HR)
34dB \pm 5dB (EZ,K)
[at 87.5 / 98.0 / 108.0MHz]

Signal to noise ratio :

STEREO
More than 64dB (U,LH,HR)
More than 59dB (EZ,K)
[at 98.0MHz]

MONO
More than 65dB (U,LH,HR)
More than 60dB (EZ,K)
[at 98.0MHz]

Distortion :

STEREO
Less than 2%
[at 98.0MHz]

Stereo separation :

More than 25dB (U,LH,HR)
More than 22dB (EZ,K)
[at 98.0MHz]

Intermediate frequency : 10.7MHz

<AM(MW) SECTION>

Sensitivity : 55dB \pm 5dB
(S/N 20 dB) [at 600kHz (U,LH)]
[at 603kHz (HR,EZ,K)]
53dB \pm 5dB
[at 1000 / 1400kHz (U,LH)]
[at 999 / 1404kHz (HR,EZ,K)]

Distortion :

Less than 1.5%
[at 1000kHz (U,LH)]
[at 999kHz (HR,EZ,K)]

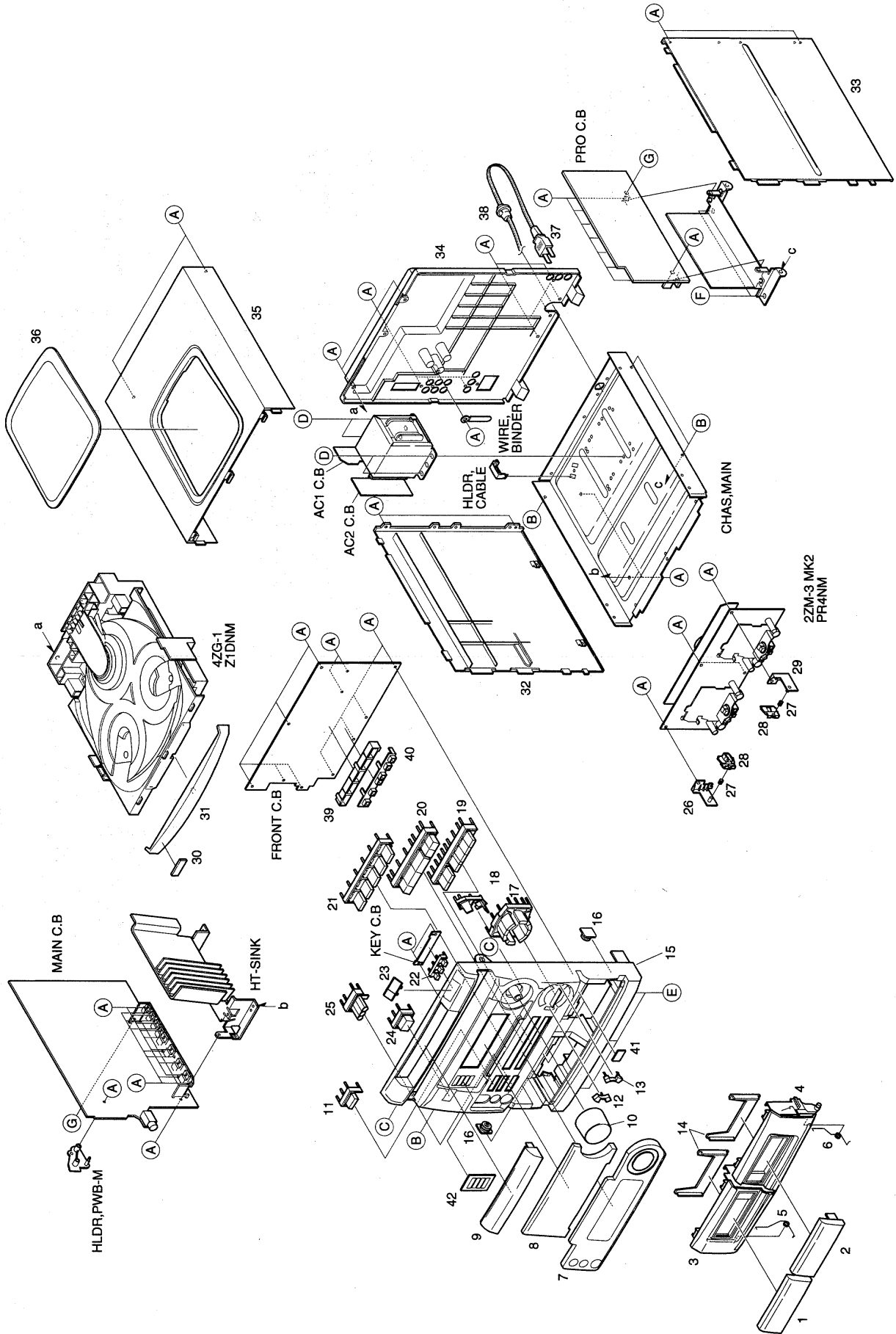
Intermediate frequency : 450kHz

ACCESSORIES / PACKAGE LIST

If can't understand for Description please kindly refer to "REFERENCE NAME LIST".

REF. NO.	PART NO.	KANRI NO.	DESCRIPTION
1	87-NFT-910-019	IB, U(ESF)<U>	
1	87-NFT-916-019	IB, E(EGFSI)M<EZ>	
1	87-NFT-915-019	IB, K(E)M<K>	
1	87-NFT-912-019	IB, LH(ES)I<LH>	
1	87-NFT-911-019	IB, H(ECA)I<HR>	
2	87-A90-064-016	FEEDER-ANT, FM (SHS)<U, LH, HR>	
2	87-043-106-016	ANT, FM1007AWG<EZ, K>	
3	87-006-225-019	ANT, LOOP ANT NC2<EXP HR>	
3	87-A90-054-016	ANT, LOOP AM-CONC<HR>	
4	87-043-095-019	ANT, WIRE<HR>	
5	87-NFR-610-019	RC UNIT, RC-7AS09	
△ 6	87-A90-312-016	PLUG, CONVERSION WTN-1157R1<LH, HR>	

MECHANICAL EXPLODED VIEW 1 / 1

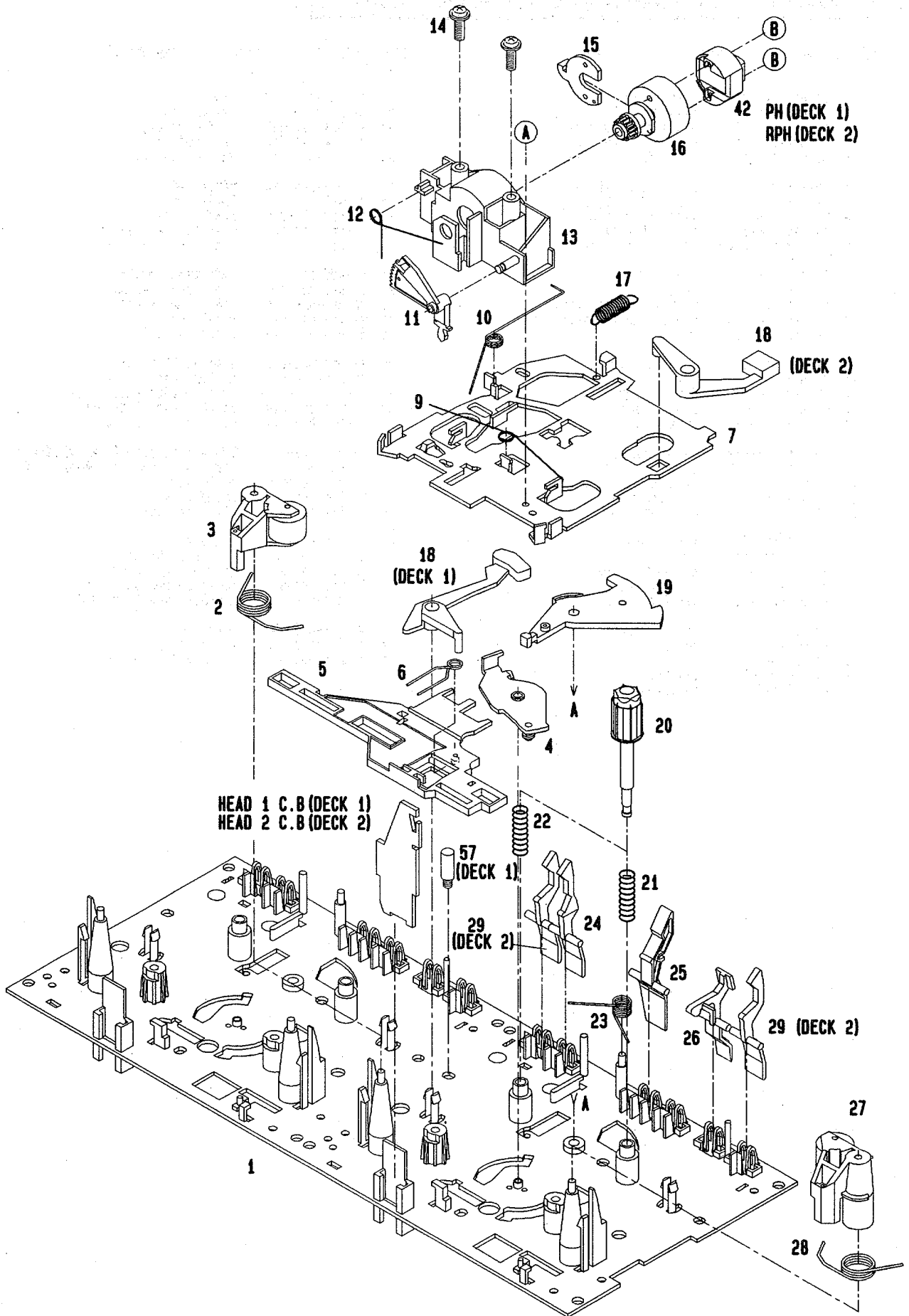


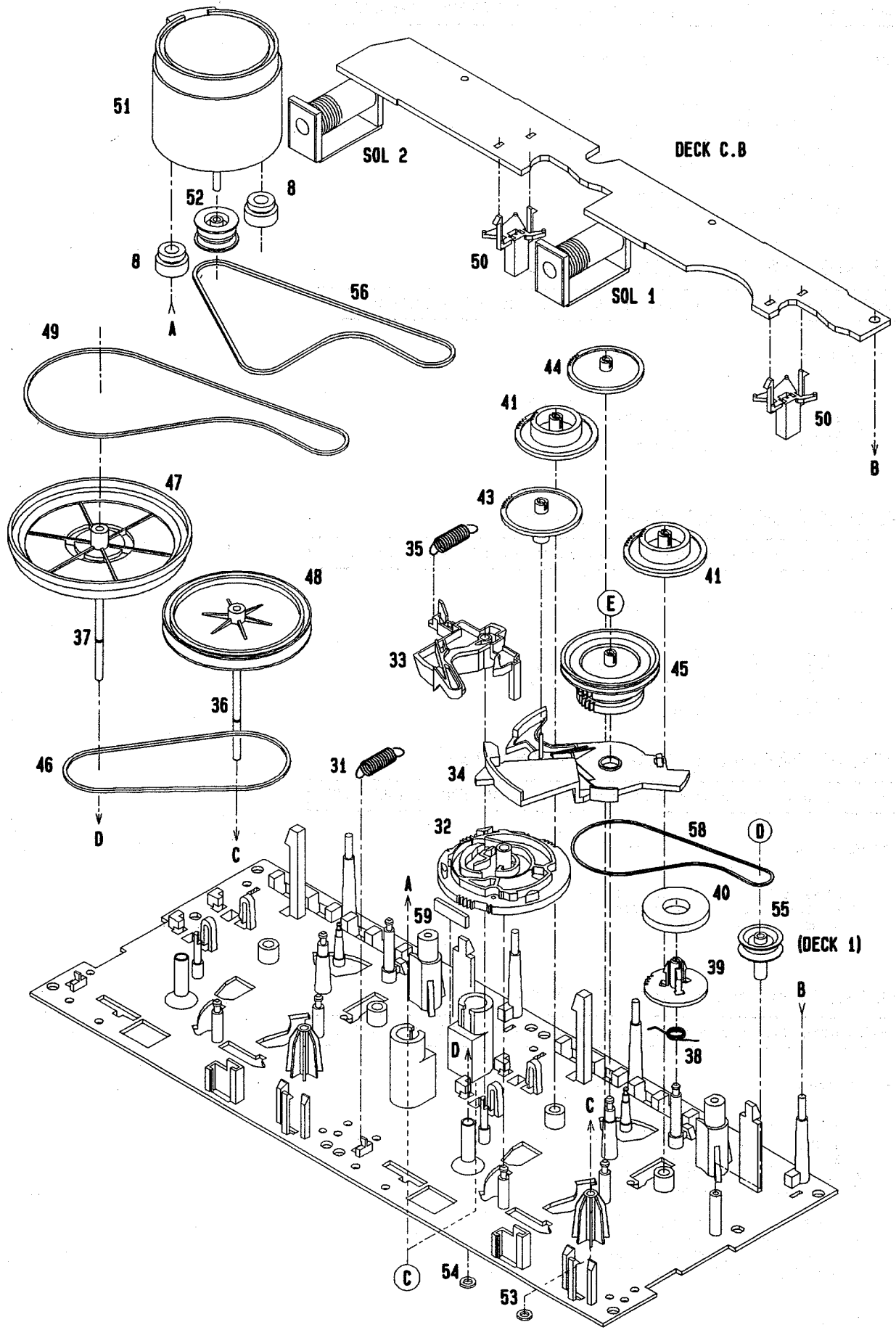
MECHANICAL PARTS LIST 1 / 1

If can't understand for Description please kindly refer to "REFERENCE NAME LIST".

REF. NO.	PART NO.	KANRI NO.	DESCRIPTION	REF. NO.	PART NO.	KANRI NO.	DESCRIPTION
1	87-NF6-041-010		WINDOW, CASS 1	26	87-NF4-216-010		HLDR, LOCK 1
2	87-NF6-042-010		WINDOW, CASS 2	27	82-NF5-228-010		SPR-C, LOCK
3	87-NF6-013-010		BOX, CASS 1E<U, K, EZ>	28	82-NF5-229-010		PLATE, LOCK (*)
3	87-NF6-011-010		BOX, CASS 1H<HR, LH>	29	87-NF4-217-010		HLDR, LOCK 2
4	87-NF6-014-010		BOX, CASS 2E<U, K, EZ>	30	82-NE6-067-010		BADGE, ATWA 30N
4	87-NF6-012-010		BOX, CASS 2H<HR, LH>	31	87-NF6-018-010		PANEL, TRAY E
5	82-NF5-218-010		SPR-T, EJECT 1(SIN)	32	87-NF6-022-010		PANEL, LEFT
6	82-NF5-219-010		SPR-T, EJECT 2(SIN)	33	87-NF6-023-010		PANEL, RIGHT
7	87-NFT-016-010		PANEL, FR E<EZ>	34	87-NFT-033-010		CABI, REAR EZSTNM<EZ>
7	87-NFT-015-010		PANEL, FR H<HR, LH>	34	87-NFT-029-010		CABI, REAR HRST<HR>
7	87-NFT-014-010		PANEL, FR K<K>	34	87-NFT-032-010		CABI, REAR KSTNM<K>
7	87-NFT-013-010		PANEL, FR U<U>	34	87-NFT-030-010		CABI, REAR LHST<LH>
8	87-NFT-006-010		WINDOW, DISPLAY E<EZ>	34	87-NFT-028-010		CABI, REAR UST<U>
8	87-NFT-005-010		WINDOW, DISPLAY H<EXP EZ>	35	87-NF6-021-010		PANEL, TOP
9	87-NF6-043-010		WINDOW, CD	36	86-NF6-007-010		WINDOW, TOP<EXP U>
10	87-NF6-036-010		KNOB, RTRY VOL	36	86-NF6-101-010		WINDOW, TOP UL<U>
11	87-NFT-017-010		KEY, PRO E<EZ>	△ 37	87-050-016-010		AC CORD ASSY, E<EZ>
11	87-NFT-018-110		KEY, PRO H<EXP EZ>	△ 37	87-050-079-010		AC CORD ASSY, E BLK<HR, LH>
12	87-NF6-040-010		PANEL, T-BASS	△ 37	87-A80-023-010		AC CORD ASSY, K 3P W<K>
13	87-NF6-039-010		PANEL, BBE	△ 37	87-050-053-010		AC CORD ASSY, U-2<U>
14	86-NF6-061-010		REFLECTOR, CASS	38	87-085-185-010		BUSHING, AC CORD(E)CM-22B<EXP U>
15	87-NFT-003-010		CABI, FR E<K, EZ>	38	87-085-189-010		BUSHING, AC CORD(U) CM-22C<50U>
15	87-NFT-001-010		CABI, FR H<HR, LH>	39	87-NF6-201-010		GUIDE, FUN
15	87-NFT-002-010		CABI, FR U<U>	40	87-NF6-202-010		GUIDE, PLAY
16	87-063-165-010		OIL-DMPR, 150	41	81-532-080-010		LBL, CASS-COMPT
17	87-NF6-026-010		KEY, CURSOR H	42	87-NFT-031-010		PLATE, PRO N
18	87-NF6-028-010		KEY, MIC	A	87-067-703-010		BVT2+3-10 W/O SLOT
19	87-NF6-033-010		KEY, REC E<K, EZ>	B	87-721-096-410		QT2+3-10 W/O SLOT
19	87-NF6-032-010		KEY, REC H<U, HR, LH>	C	87-721-097-410		QT2+3-12 W/O SLOT
20	87-NF6-049-010		KEY, ASSY PLAY	D	87-078-019-010		S-SCREW, IT+4-6 SWCH12A
21	87-NF6-029-010		KEY, FUNCTION	E	87-067-688-010		BVT1+3-6
22	87-NF6-045-010		KEY, DISC	F	87-067-584-010		BVT2+3-6 W/O SLOT
23	87-NF6-024-010		KEY, CD	G	87-NF4-224-010		S-SCREW, IT3B+3-8 CU
24	87-NF6-025-010		KEY, POWER				
25	87-NF6-034-010		KEY, KARAOKE				

TAPE MECHANISM EXPLODED VIEW 1 / 1





TAPE MECHANISM PARTS LIST 1 / 1

If can't understand for Description please kindly refer to "REFERENCE NAME LIST".

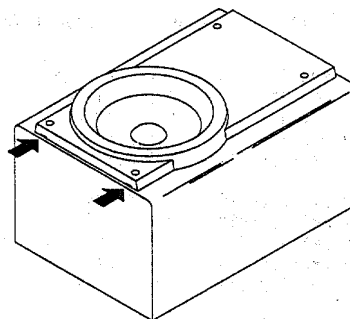
REF. NO.	PART NO.	KANRI NO.	DESCRIPTION	REF. NO.	PART NO.	KANRI NO.	DESCRIPTION
1	82-ZM3-301-519		CHAS ASSY,M2	36	82-ZM1-236-019		CAPSTAN N 2-41.5
2	82-ZM1-258-110		SPR-T,PINCH L	37	82-ZM1-239-019		CAPSTAN N 2.2-41.7
3	82-ZM1-341-110		LVR ASSY,PINCH L2	38	82-ZM1-322-019		SPR-T,FR60
4	82-ZM1-333-010		PLATE,LINK 2	39	82-ZM1-220-219		GEAR, IDLER
5	82-ZM1-266-11K		LVR,DIR	40	82-ZM3-616-019		RING MAGNET 4
6	82-ZM1-214-010		SPR-T,DIR	41	82-ZM1-216-31K		GEAR,REEL
7	82-ZM1-206-81K		CHAS,HEAD	42	87-A90-319-010		HEAD,PH HADKH2 FPC
8	82-ZM3-307-019		CUSH-G,DIA3.7-8-3.2	42	87-A90-320-010		HEAD,RPH HADKH5 FPC
9	82-ZM1-269-219		SPR-T,BRG	43	82-ZM1-225-21K		GEAR,FR
10	82-ZM1-219-119		SPR-T,LINK	44	82-ZM1-226-019		GEAR,REW
11	82-ZM1-210-119		GEAR,H T	45	82-ZM3-333-310		SLIP DISK ASSY 2
12	82-ZM1-213-019		SPR-T,HEAD	46	82-ZM1-338-010		BELT FR4
13	82-ZM1-207-619		GUIDE,TAPE	47	82-ZM1-349-110		FLY-WHL,R W(DECK 2)
14	86-ZM4-206-010		S-SCREW,AZIMUTH	47	82-ZM3-338-110		FLY-WHL,R3 W(DECK 1)
15	82-ZM1-314-119		PLATE,HEAD	48	82-ZM1-348-010		FLY-WHL,L W(DECK 2)
16	82-ZM1-208-119		HLDR,HEAD	48	82-ZM1-348-010		FLY-WHL,L W(DECK 1)
17	82-ZM1-218-019		SPR-E,HB	49	82-ZM3-329-210		BELT,SBU R2
18	82-ZM1-263-110		LVR,EJECT L (DECK 1)	50	82-ZM1-245-210		HLDR,IC
18	82-ZM1-264-010		LVR,EJECT R (DECK 2)	51	87-045-347-019		MOT,SHU2L 70(M1)
19	82-ZM1-222-21K		LVR,PLAY	52	82-ZM3-221-010		PULLEY,MOT 2M
20	82-ZM1-217-319		REEL TABLE	53	82-ZM1-288-019		SH,1.63-3.2-0.5 SLT
21	82-ZM1-244-510		SPR-C,BT	54	80-ZM6-243-019		SH,1.75-3.6-0.5 SLT
22	82-ZM1-285-310		SPR-C,BT L	55	82-ZM3-335-210		PULLEY,COUPLER M3(DECK 1)
23	82-ZM1-257-019		SPR-T,CAS	56	82-ZM3-337-010		BELT,SBU MOT 2
24	82-ZM1-241-319		LVR,MC	57	82-ZM3-339-010		SHAFT,COUPLER N3(DECK 1)
25	82-ZM1-242-019		LVR,CAS	58	86-ZM1-206-010		BELT,MAIN L
26	82-ZM1-243-019		LVR,STOP	59	82-ZM3-340-010		SH,BELT D2
27	82-ZM1-344-110		LVR ASSY,PINCH R2	A	85-ZM3-202-010		S-SCREW,TG
28	82-ZM1-259-110		SPR-T,PINCH R	B	80-ZM6-207-019		V+1.6-7
29	82-ZM1-240-11K		LVR,REC (DECK 2)	C	82-ZM3-318-019		S-SCRW MOTOR M2
31	82-ZM1-255-319		SPR-E,LVR DIR	D	87-B10-043-010		W-P,0.99-4-0.25 SLT
32	82-ZM3-305-01K		GEAR,CAM M2	E	82-ZM3-334-010		PW,2.16-6-0.4
33	82-ZM1-227-21K		LVR,TRIG				
34	82-ZM3-306-11K		LVR,FR M2				
35	82-ZM1-265-119		SPR-E,TRIG				

SPEAKER DISSASSEMBLY INSTRUCTION

Type.1

矢印の位置にマイナスドライバーを差し込んで、パネルを外します。各々のスピーカーユニットのビスを取り、スピーカーユニットを外してください。

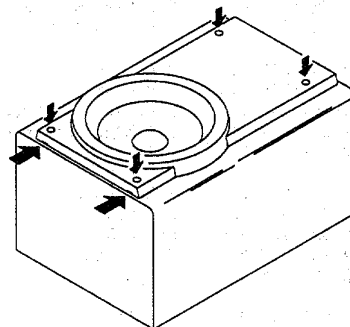
Insert a flat-bladed screwdriver into the position indicated by the arrows and remove the panel. Remove the screws of each speaker unit and then remove the speaker units.



Type.2

グリルフレームを外し、4個のゴムキャブをマイナスドライバーで端の方から持ち上げて外すと中にビスが有りますので、ビスを取り外します。矢印の位置にマイナスドライバーを差し込んで、パネルを外します。各々のスピーカーユニットのビスを取り、スピーカーユニットを外してください。

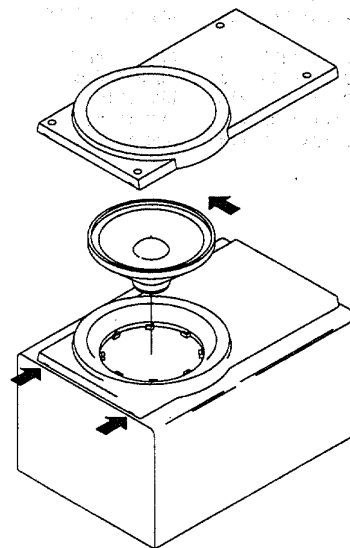
Remove the grill frame and four pieces of rubber caps by pulling out with a flat-bladed screwdriver. Remove the screws from hold where installed rubber caps. Insert a flat-bladed screwdriver into the position indicated by the arrows and remove the panel. Remove the screws of each speaker unit and then remove the speaker units.



Type.3

矢印の位置にマイナスドライバーを差し込んで、パネルを外します。各々のスピーカーユニットの凹にマイナスドライバーを差し込んで、反時計方向に回転させスピーカーユニットを外してください。スピーカーユニット交換後は時計方向にクリック音がするまで、回転させて取り付けます。

Insert a flat-bladed screwdriver into the position indicated by the arrows and remove the panel. Turn the speaker unit to counter-clockwise direction while inserting a flat-bladed screwdriver into one of the hollows around speaker unit, and then remove the speaker unit. After replacing the speaker unit, install it turning to clockwise direction until "click" sound comes out.



SPEAKER PARTS LIST (SX-NA54<YU>)

If can't understand for Description please kindly refer to "REFERENCE NAME LIST".

REF. NO.	PART NO.	KANRI NO.	DESCRIPTION
1	87-NSG-001-019		PANEL, FR R
2	87-NSG-002-019		PANEL, FR L
3	87-NSG-007-019		GRILLE, FRAME ASSY R
4	87-NSG-008-019		GRILLE, FRAME ASSY L
5	87-NSG-602-019		SPKR, W 160
6	87-NST-604-019		SPKR, T 60
7	87-NSG-605-019		SPKR, CORD

SPEAKER PARTS LIST (SX-R210<YU>)

If can't understand for Description please kindly refer to "REFERENCE NAME LIST".

REF. NO.	PART NO.	KANRI NO.	DESCRIPTION
1	83-VS3-019-010		GRILLE FRAME ASSY B<YUAST>
1	83-VS3-004-010		GRILLE FRAME ASSY<YUST>
2	83-VS3-601-010		SPEAKER
3	81-VSA-010-010		SPEAKER, CORD

SPEAKER PARTS LIST (SX-C400<YU>)

If can't understand for Description please kindly refer to "REFERENCE NAME LIST".

REF. NO.	PART NO.	KANRI NO.	DESCRIPTION
1	85-NSY-111-010		PANEL, FR ST
2	85-NSY-010-010		GRILLE FRAME ASSY<YUST>
2	85-NSY-017-010		GRILLE FRAME ASSY B<YUAST>
3	85-NSY-602-010		SPEAKER
4	83-NSM-010-010		SPEAKER, CORD

SPEAKER PARTS LIST (SX-NAV75<Y,YJ,YL>)

If can't understand for Description please kindly refer to "REFERENCE NAME LIST".

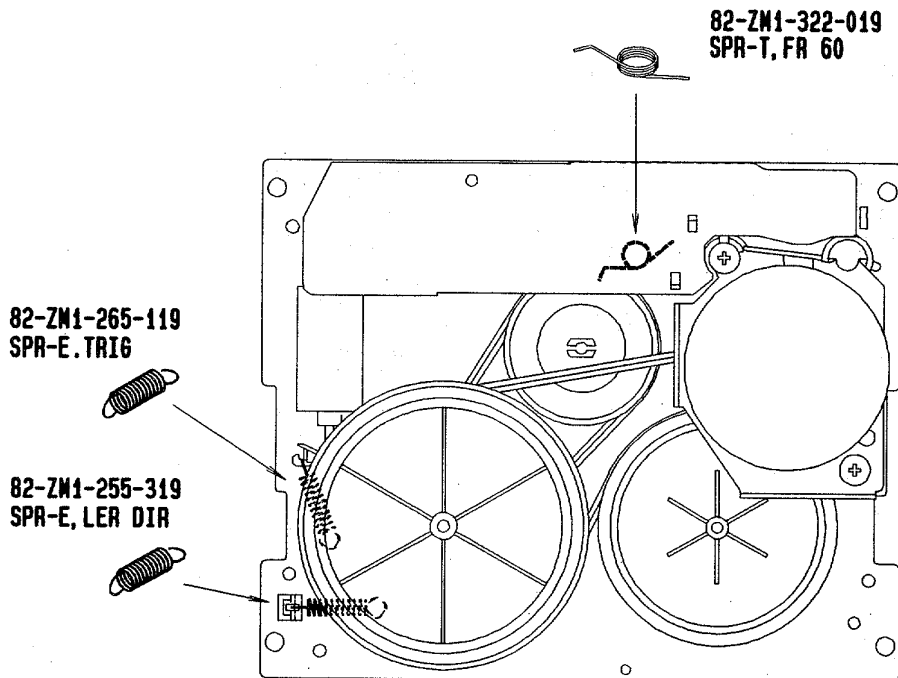
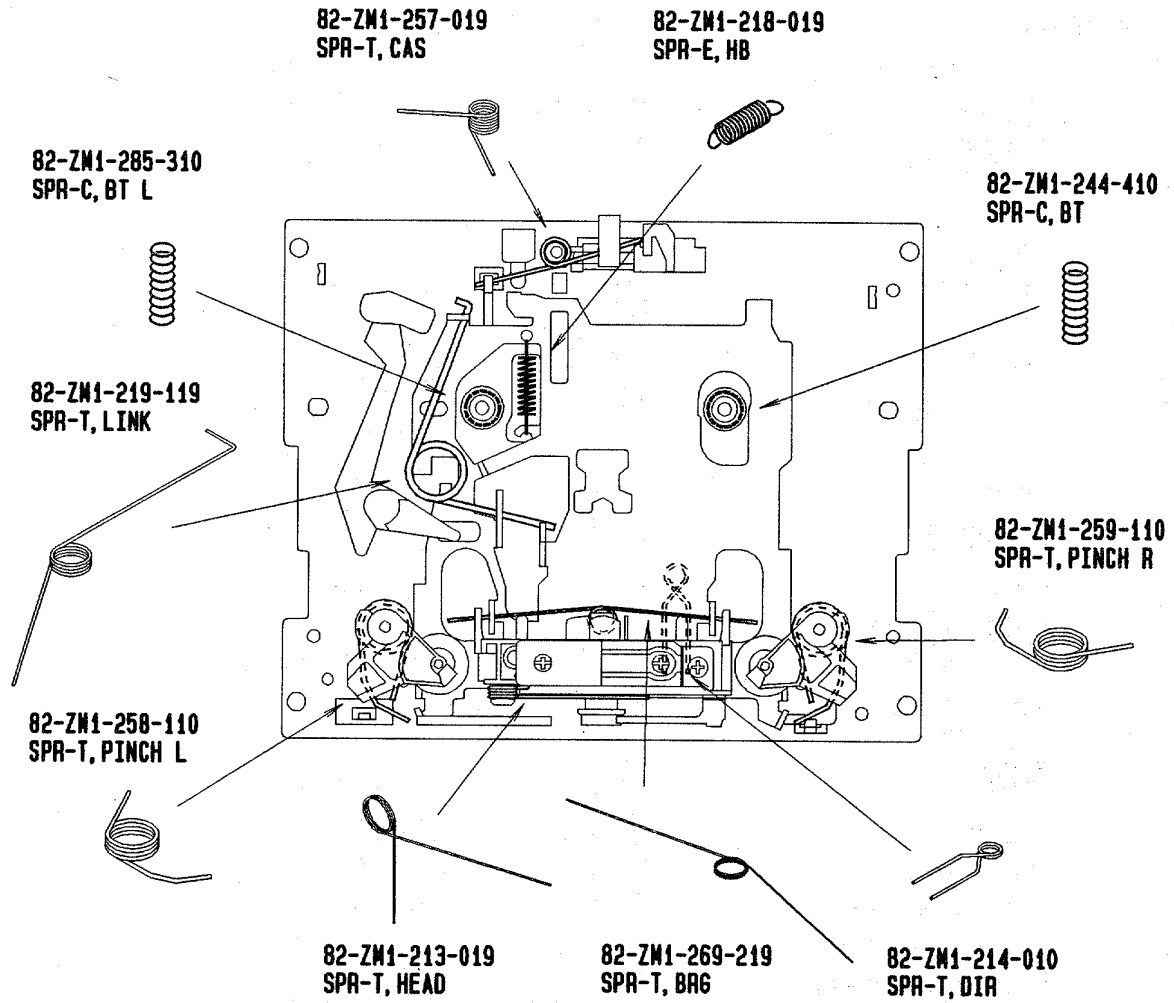
REF. NO.	PART NO.	KANRI NO.	DESCRIPTION
1	87-NSR-009-019		GRILLE, FRAME ASSY
2	83-096-614-019		SPEAKER CODE
3	87-NST-610-019		TERMINAL, ASSY

SPEAKER PARTS LIST (SX-C423<Y,YJ>)

If can't understand for Description please kindly refer to "REFERENCE NAME LIST".

REF. NO.	PART NO.	KANRI NO.	DESCRIPTION
1	85-NSX-005-010		GRILLE, FRAME ASSY (R230)
1	85-NSY-010-010		GRILLE, FRAME ASSY (C400)
2	85-NSX-601-010		SPEAKER (R230)
2	85-NSY-602-010		SPEAKER (C400)
3	81-VSA-010-010		SPEAKER, CORD (R230)
3	83-NSM-010-010		SPEAKER, CORD (C400)
4	85-NSX-009-010		PANEL, FR (R230)
4	85-NSY-001-010		PANEL, FR (C400)
5	85-NSY-002-010		PANEL, REAR (C400)

SPRING APPLICATION POSITION



REFERENCE NAME LIST

ELECTRICAL SECTION

DESCRIPTION	REFERENCE NAME
ANT	ANTENNAS
C-	CHIP
C-CAP	CAP, CHIP
C-CAP TN	CAP, CHIP TANTALUM
C-COIL	COIL, CHIP
C-DI	DIODE, CHIP
C-DIODE	DIODE, CHIP
C-FET	FET, CHIP
C-FOTR	FILTER, CHIP
C-JACK	JACK, CHIP
C-LED	LED, CHIP
C-RES	RES, CHIP
C-SFR	SFR, CHIP
C-SLIDE SW	SLIDE SWITCH, CHIP
C-SW	SWITCH, CHIP
C-TR	TRANSISTOR, CHIP
C-VR	VOLUME, CHIP
C-ZENER	ZENER, CHIP
CAP, CER	CAP, CERA-SOL
CAP, E	CAP, ELECT
CAP, M/F	CAP, FILM
CAP, TC	CAP, CERA-SOL
CAP, TC-U	CAP, CERA-SOL SS
CAP, TN	CAP, TANTALUM
CERA FIL	FILTER, CERAMIC
CF	FILTER, CERAMIC
DL	DELAY LINE
E/CAP	CAP, ELECT
FILT	FILTER
FLTR	FILTER
FUSE RES	RES, FUSE
MOT	MOTOR
P-DIODE	PHOTO DIODE
P-SNSR	PHOTO SENSER
P-TR	PHOTO TRANSISTOR
POLY VARI	VARIABLE CAPACITOR
PPCAP	CAP, PP
PT	POWER TRANSFORMER
PTR, RES	PTR, MELF
RC	REMOTE CONTROLLER
RES NF	RES, NON-FLAMMABLE
RESO	RESONATOR
SHLD	SHIELD
SOL	SOLENOID
SPKR	SPEAKER
SW, LVR	SWITCH, LEVER
SW, RTRY	SWITCH, ROTARY
SW, SL	SWITCH, SLIDE
TC CAP	CAP, CERA-SOL
THMS	THERMISTOR
TR	TRANSISTOR
TRIMER	CAP, TRIMMER
TUN-CAP	VARIABLE CAPACITOR
VIB, CER	RESONATOR, CERAMIC
VIB, XTAL	RESONATOR, CRYSTAL
VR	VOLUME
ZENER	DIODE, ZENER

MECHANICAL SECTION

DESCRIPTION	REFERENCE NAME
ADHESHIVE	SHEET ADHESHIVE
AZ	AZIMUTH
BAR-ANT	BAR-ANTENNA
BAT	BATTERY
BATT	BATTERY
BRG	BEARING
BTN	BUTTON
CAB	CABINET
CASS	CASSETTE
CHAS	CHASSIS
CLR	COLLAR
CONT	CONTROL
CRSR	CURSOR
CU	CUSHION
CUSH	CUSHION
DIR	DIRECTION
DUBB	DUBBING
FL	FRONT LOADING
FLY-WHL	FLYWHEEL
FR	FRONT
FUN	FUNCTION
G-CU	G-CUSHION
HDL	HANDOL
HIMERON	CLOTH
HINGE, BAT	HINGE, BATTERY
HLDR	HOLDER
HT-SINK	HEAT SINK
IB	INSTRUCTION BOOKLET
IDLE	IDLER
IND, L-R	INDICATOR, L-R
KEY, CONT	KEY, CONTROL
KEY, PRGM	KEY, PROGRAM
KNOB, SL	KNOB, SLIDE
LBL	LABEL
LID, BATT	LID, BATTERY
LID, CASS	LID, CASSETTE
LVR	LEVER
P-SP	P-SPRING
PANEL, CONT	PANEL, CONTROL
PANEL, FR	PANEL, FRONT
PRGM	PROGRAM
PULLY, LOAD MO	PULLY, LOAD MOTOR
RBN	RIBBON
S-	SPECIAL
SEG	SEGMENT
SH	SHEET
SHLD-SH	SHIELD-SHEET
SL	SLIDE
SP	SPRING
SP-SCREW	SPECIAL-SCREW
SPACER, BAT	SPACER, BATTERY
SPR	SPRING
SPR-P	P-SPRING
SPR-PC-PUSH	P-SPRING, C-PUSH
T-SP	T-SPRING
TERM	TERMINAL
TRIG	TRIGGER
TUN	TUNING
VOL	VOLUME
W	WASHER
WHL	WHEEL
WORM-WHL	WORM-WHEEL

サービス技術ニュース	
番号	連絡内容
G-	-
G-	-
G-	-

アイワ株式会社
AIWA CO., LTD.

9620450,750038

Tokyo Japan