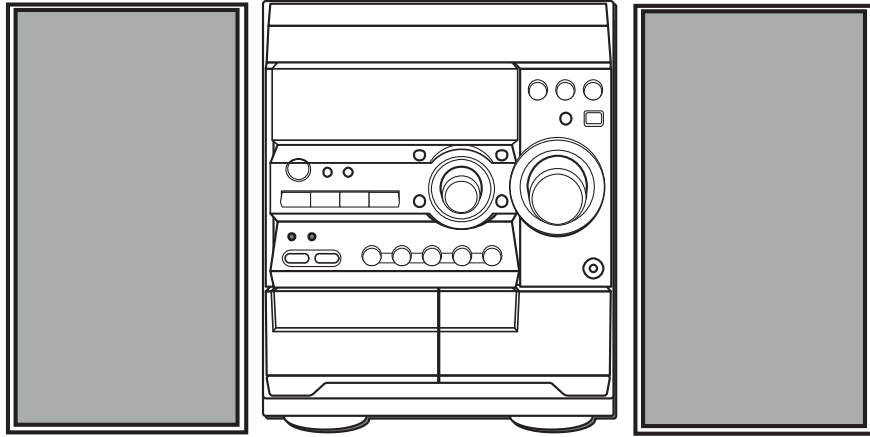


NSX-R30 EZ,K
NSX-R31 EZ
NSX-R37 EZ



SERVICE MANUAL

CD STEREO SYSTEM

BASIC CD MECHANISM : BZG-2 ZD5GNC
 BASIC TAPE MECHANISM : ZZM-3 YPR4NC

SYSTEM	CD CASSEIVER	SPEAKER	REMOTE CONTROLLER
NSX-R30	CX-NR30	SX-NR30	RC-CAS10
NSX-R31	CX-NR31		
NSX-R37	CX-NR37	SX-NR37	

- This Service Manual is the "Revision Publishing" and replaces "Simple Manual" NSX-R30/R31/R37<EZ,K>, (S/M Code No. 09-022-454-5T3).
- If requiring information about the CD mechanism, see Service Manual of BZG-2, (S/M Code No. 09-023-353-2N8).

aiwa

S/M Code No. 09-025-454-5R3

REVISION
DATA

TABLE OF CONTENTS

SPECIFICATIONS	3
PROTECTION OF EYES FROM LASER BEAM DURING SERVICING	4
NOTE BEFORE STARTING REPAIR	5, 6
ELECTRICAL PARTS LIST (CX-NR30/31/37)	7 ~ 19
ELECTRICAL PARTS LIST (ZZM-3 YPR4NC)	20
TRANSISTOR ILLUSTRATION	21
WIRING – 1 (MAIN)	22
SCHEMATIC DIAGRAM – 1 (MAIN 1/2)	23
SCHEMATIC DIAGRAM – 2 (MAIN 2/2)	24
WIRING – 2 (FRONT)	25
SCHEMATIC DIAGRAM – 3 (FRONT / DECK)	26
WIRING – 3 (PT)	27
SCHEMATIC DIAGRAM – 4 (PT)	28
WIRING – 4 (HP)	29
SCHEMATIC DIAGRAM – 5 (HP)	30
WIRING – 5 (DECK)	31
FL (CNF-8 FL-BJ867GNK) GRID ASSIGNMENT / ANODE CONNECTION	32
IC BLOCK DIAGRAM	33
IC DESCRIPTION	34, 35
ADJUSTMENT <TUNER / DECK / FRONT>	36 ~ 41
CD TEST MODE	42
MECHANICAL EXPLODED VIEW	43
MECHANICAL PARTS LIST	44
COLOR NAME TABLE	45
TAPE MECHANISM EXPLODED VIEW	46
TAPE MECHANISM PARTS LIST	47, 48
GENERAL SPEAKER DISASSEMBLY INSTRUCTIONS (FOR REFERENCE)	49
SPEAKER PARTS LIST	50
ACCESSORIES / PACKAGE LIST	51
OTHER PARTS LIST (CX-NR30/31/37)	52
OTHER PARTS LIST (SX-NR30/37)	53
OTHER PARTS LIST (ZZM-3 YPR4NC)	54

SPECIFICATIONS

MAIN UNIT CX-NR30/31/37

TUNER

FM tuning range	87.5 MHz to 108 MHz
FM usable sensitivity (IHF)	16.8 dBf
FM antenna terminal	75 ohms (unbalanced)
MW tuning range	531 kHz to 1602 kHz (9 kHz step) 530 kHz to 1710 kHz (10 kHz step)
MW usable sensitivity	350 μ V/m
LW tuning range	144 kHz to 290 kHz
LW usable sensitivity	1400 μ V/m
MW/LW antenna	Loop antenna

AMPLIFIER

Power output	Rated: 32 W + 32 W (6 ohms, T.H.D. 1%, 1 kHz/DIN 45500) Reference: 40 W + 40 W (6 ohms, T.H.D. 10%, 1 kHz/DIN 45324) 10 %, 6 ohms) 30EZ,31EZ,37EZ: DIN MUSIC POWER: 100 W + 100 W
Total harmonics distortion	0.08 % (16 W, 1 kHz, 6 ohms, DIN AUDIO)
Input	VIDEO/AUX: 500 mV
Outputs	SPEAKERS: 6 ohms or more PHONES: 32 ohms or more

CASSETTE DECK

Track format	4 tracks, 2 channels stereo
Frequency response	50 Hz - 15 kHz
Recording system	AC bias
Heads	DECK 1: playback x 1 DECK 2: recording/playback x 1, erase x 1

CD PLAYER

Laser	Semiconductor laser ($\lambda = 780$ nm)
D/A converter	1 bit dual
Signal-to-noise ratio	85 dB (1 kHz, 0 dB)
Harmonic distortion	0.05 % (1 kHz, 0 dB)

GENERAL

Power requirements	230 V AC, 50 Hz
Power consumption	75 W
Power consumption in standby mode	With ECO mode on: 0.6 W With ECO mode off: 17 W
Dimensions (W x H x D)	260 x 324 x 315 mm
Weight	6.0 kg

FRONT SPEAKER SX-R30/R37

Speaker system	3 way, bass reflex (magnetic shielded)
Speaker units	Woofer: 160 mm cone Tweeter: 60 mm cone Super tweeter: 20 mm ceramic x 2
Impedance	6 ohms
Dimensions (W x H x D)	230 x 324 x 227 mm
Weight	3.5 kg

- Design and specifications are subject to change without notice.

PROTECTION OF EYES FROM LASER BEAM DURING SERVICING

This set employs laser. Therefore, be sure to follow carefully the instructions below when servicing.

WARNING!!

WHEN SERVICING, DO NOT APPROACH THE LASER EXIT WITH THE EYE TOO CLOSELY. IN CASE IT IS NECESSARY TO CONFIRM LASER BEAM EMISSION. BE SURE TO OBSERVE FROM A DISTANCE OF MORE THAN 30cm FROM THE SURFACE OF THE OBJECTIVE LENS ON THE OPTICAL PICK-UP BLOCK.



- s Caution: Invisible laser radiation when open and interlocks defeated avoid exposure to beam.
- s Advarsel: Usynlig laserstråling ved åbning, når sikkerhedsafbrydere er ude af funktion. Undgå udsættelse for stråling.

VAROITUS!

Laitteen Käyttäminen muulla kuin tässä käyttöohjeessa mainitulla tavalla saattaa altistaa käyt-täjän turvallisuusluokan 1 ylittävälle näkymättömälle lasersäteilylle.

WARNING!

Om apparaten används på annat sätt än vad som specificeras i denna bruksanvising, kan användaren utsättas för osynlig laserstrålning, som överskrider gränsen för laserklass 1.

CAUTION

Use of controls or adjustments or performance of procedures other than those specified herein may result in hazardous radiation exposure.

ATTENTION

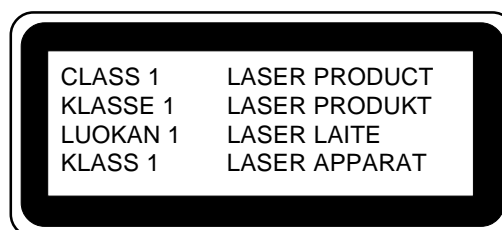
L'utilisation de commandes, réglages ou procédures autres que ceux spécifiés peut entraîner une dangereuse exposition aux radiations.

ADVARSEL

Usynlig laserstråling ved åbning, når sikkerhedsafbrydere er ude af funktion. Undgå udsættelse for stråling.

This Compact Disc player is classified as a CLASS 1 LASER product.

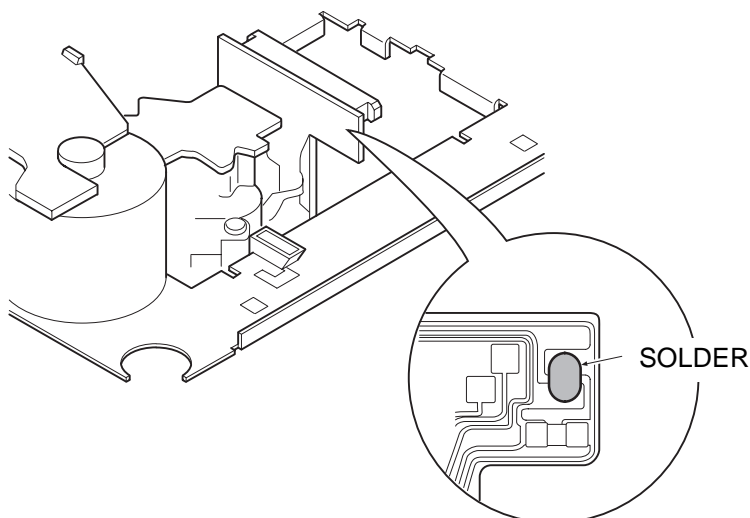
The CLASS 1 LASER PRODUCT label is located on the rear exterior.



Precaution to replace Optical block (KSM213RSCM)

Body or clothes electrostatic potential could ruin laser diode in the optical block. Be sure ground body and workbench, and use care the clothes do not touch the diode.

- 1) After the connection, remove solder shown in the right figure.



NOTE ON BEFORE STARTING REPAIR

1. Forced discharge of electrolytic capacitor of power supply block

When repair is going to be attempted in the set that uses relay circuit in the power supply block, electric potential is kept charged across the electrolytic capacitors (C101, 102) even though AC power cord is removed. If repair is attempted in this condition, secondary defect can occur.

In order to prevent the secondary trouble, perform the following measures before starting repair work.

Discharge procedure

- ① Remove the AC power cord.
- ② Connect a discharging resistor at an end of lead wire that has clips at both ends. Connect the other end of the lead wire to metal chassis.
- ③ Contact the other end of the discharging resistor to the positive (+) side (+VH) of C101. (For two seconds)
- ④ Contact the same end of the discharging resistor as step ③ to the negative (-) side (-VH) of C102 in the same way. (For two seconds)
- ⑤ Check that voltage across C101 and C102 has decreased to 1 V or less using a multimeter or an oscilloscope.

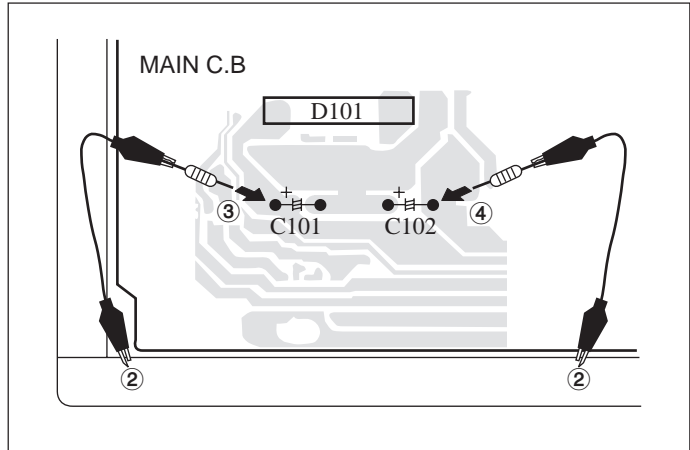


Fig-1

Select a discharging resistor referring to the following table.

Charging voltage (V) (C101, 102)	Discharging resistor (Ω)	Rated power (W)	Parts number
25-48	100	3	87-A00-247-090
49-140	220	5	87-A00-232-090

Note: The reference numbers (C101, C102) of the electrolytic capacitors can change depending on the models. Be sure to check the reference numbers of the charging capacitors on schematic diagram before starting the discharging work.

2. Check items before exchanging the MICROCOMPUTER

Be sure to check the following items before exchanging the MICROCOMPUTER. Exchange the MICROCOMPUTER after confirming that the MICROCOMPUTER is surely defective.

2-1. Regarding the HOLD terminal of the MICROCOMPUTER

When the HOLD terminal (INPUT) of the MICROCOMPUTER is "H", the MICROCOMPUTER is judged to be operating correctly. When this terminal is "L", the main power cannot be turned on. Therefore, be sure to check the terminal voltage of the HOLD terminal before exchange.

When the MICROCOMPUTER is not defective, the HOLD terminal can also go "L" when the POWER AMPLIFIER has any abnormalities that triggers the abnormality detection circuit on the MAIN C. B. that sets the HOLD terminal to "L".

- Good or no good judgement of the MICROCOMPUTER

- ① Turn on the AC main power.
- ② Confirm that the main power is turned on and the HOLD terminal of the MICROCOMPUTER keeps the "H" level or not.
- ③ When the HOLD terminal is "L" level, the abnormality detection circuit is judged to be working correctly and the MICROCOMPUTER is judged to be good.

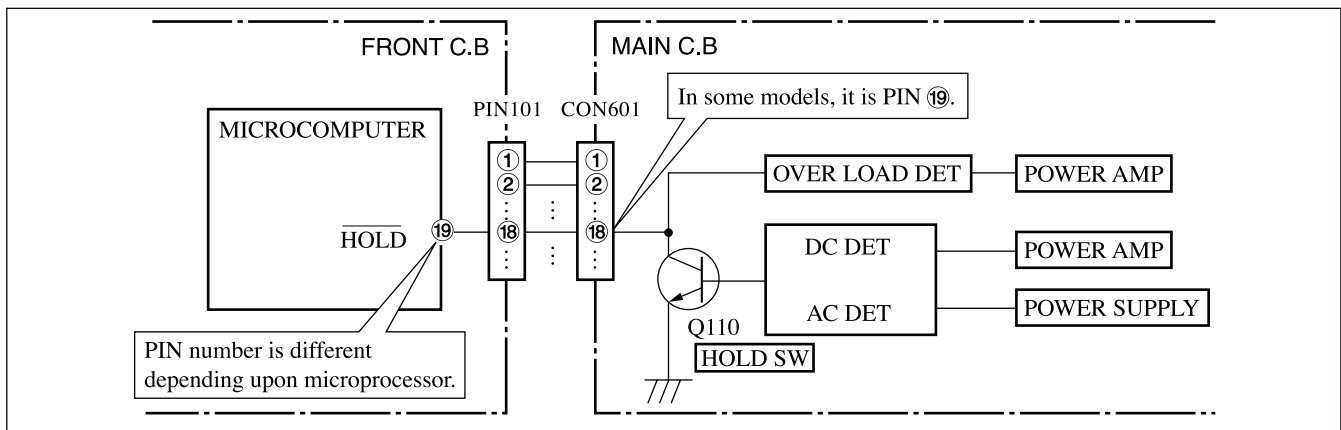


Fig-2-1

In such a case, check also if the POWER AMPLIFIER circuit or power supply circuit has any abnormalities or not.

2-2. Regarding reset

There are cases that the machine does not work correctly because the MICROCOMPUTER is not reset even though the AC power cord is re-inserted, or the software reset (pressing the STOP key + POWER key) is performed.

When the above described phenomenon occurs, it can lead to wrong judgement as if the MICROCOMPUTER is defective and to exchange the MICROCOMPUTER. In such a case, perform the forced-reset by the following procedure and check good or no good of the MICROCOMPUTER.

- ① Remove the AC power cord.

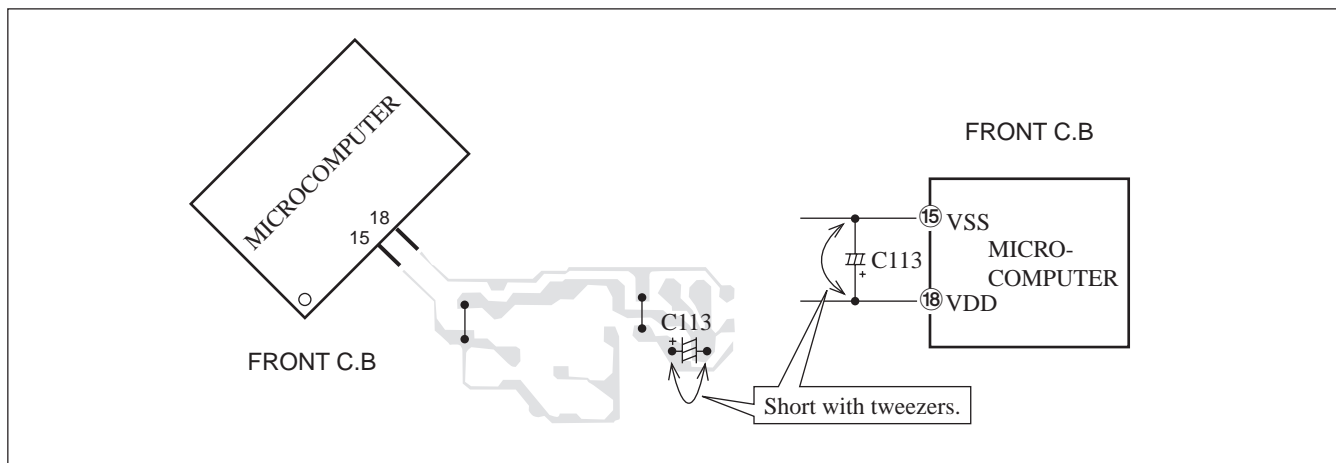


Fig-2-2

- ② Short both ends of the electrolytic capacitor C113 that is connected to VDD of the MICROCOMPUTER with tweezers.
- ③ Connect the AC power cord again. If the MICROCOMPUTER returns to the normal operation, the MICROCOMPUTER is good.

Note: The reference number or MICROCOMPUTER pin number of transistor (Q110) and electrolytic capacitor (C113) can change depending on the models. Be sure to check the reference numbers on schematic diagram before starting the discharging work.

2-3. Confirmation of soldering state of MICROCOMPUTER

Check the soldering state of the MICROCOMPUTER in addition to the above described procedures. Be sure to exchange the MICROCOMPUTER after surely confirming that the trouble is not caused by poor soldering but the MICROCOMPUTER itself.

ELECTRICAL PARTS LIST (CX-NR30/31/37)

! = Δ SAFETY PARTS
 C = Components marked

All components used on this model at the production line are shown in this service manual.
 However, please note that not all components will be available as spare parts for after-sales service.
 Components marked S and O are designated as spare parts for service and will be stocked at the spare parts centers.
 Components marked X and R are not designated as spare parts for after sales service, and will not be stocked at the spare parts centers.

UNIT-NAME	! C	REF-NO	PARTS-NO	PARTS-NAME	SUFFIX&MODEL			
					CX-NR30 KSC	CX-NR30 EZSC	CX-NR31 EZSC	CX-NR37 EZBC
FRONT	O C	0108	87-010-785-080	C-CAP,U 0.015-25 K B GRM	a	b	c	d
FRONT	O C	0153	87-010-787-080	C-CAP,U 0.022-25 K B	a	b	c	d
FRONT	O C	0154	87-A12-078-040	CAP,E 47-35 SMG	a	b	c	d
FRONT	O C	0155	87-010-404-040	CAP,E 4.7-50 M 11L SME	a	b	c	d
FRONT	O C	0156	87-010-404-040	CAP,E 4.7-50 M 11L SME	a	b	c	d
FRONT	O C	0301	87-012-278-080	C-CAP,U 2200P-50 K B	a	b	c	d
FRONT	O C	0351	87-A10-353-080	C-CAP,U 0.22-10 K B	a	b	c	d
FRONT	O C	0361	87-012-274-080	C-CAP,U 1000P-50 K B	a	b	c	d
FRONT	O C	0362	87-012-274-080	C-CAP,U 1000P-50 K B	a	b	c	d
FRONT	O C	0371	87-012-274-080	C-CAP,U 1000P-50 K B	a	b	c	d
FRONT	O C	0372	87-012-274-080	C-CAP,U 1000P-50 K B	a	b	c	d
FRONT	O C	0601	87-010-382-040	CAP,E 22-25 M 11L SME	a	b	c	d
FRONT	O C	0801	87-A10-353-080	C-CAP,U 0.22-10 K B	a	b	c	d
FRONT	O C	0803	87-012-280-080	C-CAP,U 3300P-50 K B	a	b	c	d
FRONT	O C	0804	87-A10-592-080	C-CAP,S 0.015-50 J B	a	b	c	d
FRONT	O C	0806	87-012-273-080	C-CAP,U 820P-50 K B	a	b	c	d
FRONT	O C	0808	87-010-544-040	CAP,E 0.1-50 M 11L SME	a	b	c	d
FRONT	O C	0809	87-010-404-040	CAP,E 4.7-50 M 11L SME	a	b	c	d
FRONT	O C	0810	87-010-759-080	C-CAP,U 0.1-25 Z F	a	b	c	d
FRONT	O C	0811	87-A12-052-080	C-CAP,S 0.033-25 J B	a	b	c	d
FRONT	O C	0812	87-012-285-080	C-CAP,U 8200P-50 K B GRM	a	b	c	d
FRONT	O C	0901	87-012-195-080	C-CAP,U 100P-50 J CH	a	b	c	d
FRONT	O C	0902	87-012-195-080	C-CAP,U 100P-50 J CH	a	b	c	d
FRONT	O C	0903	87-012-195-080	C-CAP,U 100P-50 J CH	a	b	c	d
FRONT	O C	0904	87-012-195-080	C-CAP,U 100P-50 J CH	a	b	c	d
FRONT	O C	0905	87-012-195-080	C-CAP,U 100P-50 J CH	a	b	c	d
FRONT	O C	0906	87-012-195-080	C-CAP,U 100P-50 J CH	a	b	c	d
FRONT	O C	0907	87-012-195-080	C-CAP,U 100P-50 J CH	a	b	c	d
FRONT	O C	0908	87-012-195-080	C-CAP,U 100P-50 J CH	a	b	c	d
FRONT	O C	0909	87-012-195-080	C-CAP,U 100P-50 J CH	a	b	c	d
FRONT	O C	0910	87-012-195-080	C-CAP,U 100P-50 J CH	a	b	c	d
FRONT	O C	0911	87-012-274-080	C-CAP,U 1000P-50 K B	a	b	c	d
FRONT	O C	0912	87-010-759-080	C-CAP,U 0.1-25 Z F	a	b	c	d
FRONT	O C	0913	87-A10-189-040	CAP,E 220-10 M 5L	a	b	c	d
FRONT	O C	0915	87-010-759-080	C-CAP,U 0.1-25 Z F	a	b	c	d
FRONT	O C	0916	87-010-759-080	C-CAP,U 0.1-25 Z F	a	b	c	d
FRONT	O C	0917	87-010-759-080	C-CAP,U 0.1-25 Z F	a	b	c	d
FRONT	O C	0919	87-012-286-080	C-CAP,U 0.01-25 K B	a	b	c	d
FRONT	O C	0920	87-010-829-080	C-CAP,U 0.047-16 Z F	a	b	c	d
FRONT	O C	0921	87-012-282-080	C-CAP,U 4700P-50 K B	a	b	c	d
FRONT	O C	0922	87-012-195-080	C-CAP,U 100P-50 J CH	a	b	c	d
FRONT	O C	0923	87-010-785-080	C-CAP,U 0.015-25 K B GRM	a	b	c	d
FRONT	O C	0924	87-010-785-080	C-CAP,U 0.015-25 K B GRM	a	b	c	d
FRONT	O C	0925	87-010-785-080	C-CAP,U 0.015-25 K B GRM	a	b	c	d
FRONT	O C	0931	87-012-195-080	C-CAP,U 100P-50 J CH	a	b	c	d
FRONT	O C	0932	87-012-195-080	C-CAP,U 100P-50 J CH	a	b	c	d
FRONT	O C	0933	87-012-195-080	C-CAP,U 100P-50 J CH	a	b	c	d
FRONT	O C	0951	87-012-172-080	C-CAP,U 10P-50 D CH	a	b	c	d
FRONT	O C	0952	87-010-854-080	C-CAP,S 560P-50 J CH	a	b	c	d
FRONT	O C	0953	87-012-349-080	C-CAP,S 1000P-50 J CH GRM	a	b	c	d
FRONT	O C	0961	87-010-391-040	CAP,E 10-35 M 11L SME	a	b	c	d
FRONT	O C	0962	87-012-336-080	C-CAP,U 330P-50 J SL	a	b	c	d
FRONT	O C	0963	87-010-759-080	C-CAP,U 0.1-25 Z F	a	b	c	d
FRONT	O CN	0103	87-099-013-010	CONN,11P V BLK 6216	a	b	c	d
FRONT	O CN	0701	87-099-720-010	CONN,30P BLK TYK-B(P)	a	b	c	d
FRONT	O CN	0731	87-099-196-010	CONN,8P V BLK 6216	a	b	c	d
FRONT	S D	0103	87-020-465-080	DIODE,1SS133	a	b	c	d
FRONT	S D	0104	87-020-465-080	DIODE,1SS133	a	b	c	d
FRONT	S D	0301	87-A40-234-080	ZENER,MTZJ5.6A	a	b	c	d
FRONT	S D	0302	87-020-465-080	DIODE,1SS133	a	b	c	d
FRONT	S D	0601	87-A40-269-080	C-DIODE,MC2836	a	b	c	d
FRONT	S D	0801	87-020-465-080	DIODE,1SS133	a	b	c	d
FRONT	S D	0983	87-020-465-080	DIODE,1SS133	a	b	c	d
FRONT	O FFC0103	88-911-101-110	FF-CABLE,11P 1.25 100MM	a	b	c	d	
FRONT	O FFC0731	88-908-301-110	FF-CABLE,8P 1.25 300MM	a	b	c	d	
FRONT	O FL	0201	8C-NF8-615-010	FL,CNF-8 FL-BJ867GNK	a	b	c	d
FRONT	S IC	0901	8C-NF8-610-030	C-IC,UPD780226GF-032-3BA	a	b	c	d
FRONT	S IC	0901	8C-NF8-611-030	C-IC,UPD780228GF-088-3BA	a	b	c	d
FRONT	S IC	0961	87-A21-218-110	IC,NJL64H380A	a	b	c	d
FRONT	O L	0951	87-A50-655-010	COIL,CLK 4.19MHZ (TOKO) 7KLY	a	b	c	d
FRONT	O	LED0201	87-A41-062-040	LED,LTL-1CHEE-012A RED	a	b	c	d
FRONT	S Q	0102	87-A30-076-080	C-TR,2SC3052F	a	b	c	d
FRONT	S Q	0104	87-A30-538-040	C-TR,SRA2202S	a	b	c	d
FRONT	S Q	0301	87-A30-494-080	TR,2SA1980G	a	b	c	d
FRONT	S Q	0302	87-A30-076-080	C-TR,2SC3052F	a	b	c	d
FRONT	S Q	0303	87-A30-076-080	C-TR,2SC3052F	a	b	c	d
FRONT	S Q	0601	87-A30-495-080	TR,2SA1981Y	a	b	c	d
FRONT	S Q	0602	87-A30-495-080	TR,2SA1981Y	a	b	c	d
FRONT	S Q	0603	87-A30-200-080	TR,2SA1585SR	a	b	c	d
FRONT	S Q	0801	87-A30-076-080	C-TR,2SC3052F	a	b	c	d

! = SAFETY PARTS
 C = Components marked

All components used on this model at the production line are shown in this service manual.
 However, please note that not all components will be available as spare parts for after-sales service.
 Components marked S and O are designated as spare parts for service and will be stocked at the spare parts centers.
 Components marked X and R are not designated as spare parts for after sales service, and will not be stocked at the spare parts centers.

UNIT-NAME	! C	REF-NO	PARTS-NO	PARTS-NAME	SUFFIX&MODEL				
					CX-NR30	CX-NR30	CX-NR31	CX-NR37	
					KSC	EZSC	EZSC	EZBC	
FRONT	S	Q	0802	87-A30-075-080	C-TR,2SA1235F	a	b	c	d
FRONT	S	Q	0803	87-A30-076-080	C-TR,2SC3052F	a	b	c	d
FRONT	S	Q	0804	87-A30-076-080	C-TR,2SC3052F	a	b	c	d
FRONT	S	Q	0805	87-A30-076-080	C-TR,2SC3052F	a	b	c	d
FRONT	S	Q	0901	87-A30-538-040	C-TR,SRA2202S	a	b	c	d
FRONT	X	R	0109	88-108-224-080	C-RES,U 220K-1/16W J	a	b	c	d
FRONT	X	R	0110	88-108-153-080	C-RES,U 15K-1/16W J	a	b	c	d
FRONT	X	R	0111	88-108-333-080	C-RES,U 33K-1/16W J	a	b	c	d
FRONT	X	R	0112	88-108-224-080	C-RES,U 220K-1/16W J	a	b	c	d
FRONT	X	R	0114	88-108-103-080	C-RES,U 10K-1/16W J	a	b	c	d
FRONT	X	R	0115	88-108-000-080	C-JUMPER,U	a	b	c	d
FRONT	X	R	0116	88-108-124-080	C-RES,U 120K-1/16W J	a	b	c	d
FRONT	X	R	0151	88-100-000-010	PLATING-JW, 0.58 SN95	a	b	c	d
FRONT	X	R	0152	88-100-000-010	PLATING-JW, 0.58 SN95	a	b	c	d
FRONT	X	R	0153	88-128-821-080	C-RES, 820-1/8W J	a	b	c	d
FRONT	X	R	0154	88-128-821-080	C-RES, 820-1/8W J	a	b	c	d
FRONT	X	R	0155	88-108-332-080	C-RES,U 3.3K-1/16W J	a	b	c	d
FRONT	X	R	0156	88-108-332-080	C-RES,U 3.3K-1/16W J	a	b	c	d
FRONT	X	R	0161	88-108-000-080	C-JUMPER,U	a	b	c	d
FRONT	X	R	0162	88-108-000-080	C-JUMPER,U	a	b	c	d
					CX-NR30	CX-NR30	CX-NR31	CX-NR37	
					KSC	EZSC	EZSC	EZBC	
FRONT	X	R	0163	88-108-000-080	C-JUMPER,U	a	b	c	d
FRONT	X	R	0164	88-108-000-080	C-JUMPER,U	a	b	c	d
FRONT	X	R	0165	88-108-000-080	C-JUMPER,U	a	b	c	d
FRONT	X	R	0166	88-108-000-080	C-JUMPER,U	a	b	c	d
FRONT	X	R	0208	88-128-102-080	C-RES, 1K-1/8W J	a	b	c	d
FRONT	X	R	0301	88-108-104-080	C-RES,U 100K-1/16W J	a	b	c	d
FRONT	X	R	0302	88-108-472-080	C-RES,U 4.7K-1/16W J	a	b	c	d
FRONT	X	R	0303	88-108-153-080	C-RES,U 15K-1/16W J	a	b	c	d
FRONT	X	R	0304	88-108-102-080	C-RES,U 1K-1/16W J	a	b	c	d
FRONT	X	R	0306	88-108-471-080	C-RES,U 470-1/16W J	a	b	c	d
FRONT	X	R	0321	88-108-103-080	C-RES,U 10K-1/16W J	a	b	c	d
FRONT	X	R	0322	88-108-102-080	C-RES,U 1K-1/16W J	a	b	c	d
FRONT	X	R	0323	88-108-821-080	C-RES,U 820-1/16W J	a	b	c	d
FRONT	X	R	0324	88-108-102-080	C-RES,U 1K-1/16W J	a	b	c	d
FRONT	X	R	0325	88-108-122-080	C-RES,U 1.2K-1/16W J	a	b	c	d
FRONT	X	R	0326	88-121-122-080	RES,1.2K-1/8W J	a	b	c	d
FRONT	X	R	0327	88-108-182-080	C-RES,U 1.8K-1/16W J	a	b	c	d
FRONT	X	R	0328	88-121-182-080	RES,1.8K-1/8W J	a	b	c	d
FRONT	X	R	0329	88-108-272-080	C-RES,U 2.7K-1/16W J	a	b	c	d
FRONT	X	R	0330	88-108-332-080	C-RES,U 3.3K-1/16W J	a	b	c	d
					CX-NR30	CX-NR30	CX-NR31	CX-NR37	
					KSC	EZSC	EZSC	EZBC	
FRONT	X	R	0331	88-121-472-080	RES,4.7K-1/8W J	a	b	c	d
FRONT	X	R	0332	88-108-682-080	C-RES,U 6.8K-1/16W J	a	b	c	d
FRONT	X	R	0333	88-108-103-080	C-RES,U 10K-1/16W J	a	b	c	d
FRONT	X	R	0334	88-108-183-080	C-RES,U 18K-1/16W J	a	b	c	d
FRONT	X	R	0335	88-108-473-080	C-RES,U 47K-1/16W J	a	b	c	d
FRONT	X	R	0341	88-108-103-080	C-RES,U 10K-1/16W J	a	b	c	d
FRONT	X	R	0342	88-108-102-080	C-RES,U 1K-1/16W J	a	b	c	d
FRONT	X	R	0343	88-108-821-080	C-RES,U 820-1/16W J	a	b	c	d
FRONT	X	R	0344	88-108-102-080	C-RES,U 1K-1/16W J	a	b	c	d
FRONT	X	R	0345	88-108-122-080	C-RES,U 1.2K-1/16W J	a	b	c	d
FRONT	X	R	0346	88-108-122-080	C-RES,U 1.2K-1/16W J	a	b	c	d
FRONT	X	R	0347	88-108-182-080	C-RES,U 1.8K-1/16W J	a	b	c	d
FRONT	X	R	0348	88-108-182-080	C-RES,U 1.8K-1/16W J	a	b	c	d
FRONT	X	R	0349	88-108-272-080	C-RES,U 2.7K-1/16W J	.	.	c	.
FRONT	X	R	0350	88-108-332-080	C-RES,U 3.3K-1/16W J	.	.	c	.
FRONT	X	R	0351	88-108-472-080	C-RES,U 4.7K-1/16W J	.	.	c	.
FRONT	X	R	0361	88-108-103-080	C-RES,U 10K-1/16W J	a	b	c	d
FRONT	X	R	0362	88-108-103-080	C-RES,U 10K-1/16W J	a	b	c	d
FRONT	X	R	0363	88-108-100-080	C-RES,U 10-1/16W J	a	b	c	d
FRONT	X	R	0364	88-108-100-080	C-RES,U 10-1/16W J	a	b	c	d
					CX-NR30	CX-NR30	CX-NR31	CX-NR37	
					KSC	EZSC	EZSC	EZBC	
FRONT	X	R	0371	88-108-103-080	C-RES,U 10K-1/16W J	a	b	c	d
FRONT	X	R	0372	88-108-103-080	C-RES,U 10K-1/16W J	a	b	c	d
FRONT	X	R	0373	88-108-100-080	C-RES,U 10-1/16W J	a	b	c	d
FRONT	X	R	0374	88-108-100-080	C-RES,U 10-1/16W J	a	b	c	d
FRONT	X	R	0601	88-108-103-080	C-RES,U 10K-1/16W J	a	b	c	d
FRONT	X	R	0602	88-108-222-080	C-RES,U 2.2K-1/16W J	a	b	c	d
FRONT	X	R	0603	88-108-103-080	C-RES,U 10K-1/16W J	a	b	c	d
FRONT	X	R	0604	88-108-222-080	C-RES,U 2.2K-1/16W J	a	b	c	d
FRONT	X	R	0605	88-108-103-080	C-RES,U 10K-1/16W J	a	b	c	d
FRONT	X	R	0606	88-108-102-080	C-RES,U 1K-1/16W J	a	b	c	d
FRONT	X	R	0607	88-108-000-080	C-JUMPER,U	a	b	c	d
FRONT	X	R	0611	88-108-473-080	C-RES,U 47K-1/16W J	a	b	c	d
FRONT	X	R	0612	88-108-473-080	C-RES,U 47K-1/16W J	a	b	c	d
FRONT	X	R	0613	88-108-473-080	C-RES,U 47K-1/16W J	a	b	c	d
FRONT	X	R	0614	88-108-473-080	C-RES,U 47K-1/16W J	a	b	c	d
FRONT	X	R	0615	88-108-473-080	C-RES,U 47K-1/16W J	a	b	c	d
FRONT	X	R	0617	88-108-473-080	C-RES,U 47K-1/16W J	a	b	c	d
FRONT	X	R	0618	88-128-473-080	C-RES, 47K-1/8W J	a	b	c	d
FRONT	X	R	0701	88-108-102-080	C-RES,U 1K-1/16W J	.	.	c	.
FRONT	X	R	0702	88-128-102-080	C-RES, 1K-1/8W J	.	.	c	.

! = SAFETY PARTS
 C = Components marked

All components used on this model at the production line are shown in this service manual.
 However, please note that not all components will be available as spare parts for after-sales service.
 Components marked S and O are designated as spare parts for service and will be stocked at the spare parts centers.
 Components marked X and R are not designated as spare parts for after sales service, and will not be stocked at the spare parts centers.

UNIT-NAME	! C	REF-NO	PARTS-NO	PARTS-NAME	SUFFIX&MODEL			
					CX-NR30 KSC	CX-NR30 EZSC	CX-NR31 EZSC	CX-NR37 EZBC
FRONT	X R	0703	88-108-102-080	C-RES,U 1K-1/16W J	.	.	c	.
FRONT	X R	0704	88-108-102-080	C-RES,U 1K-1/16W J	a	b	c	d
FRONT	X R	0705	88-108-102-080	C-RES,U 1K-1/16W J	a	b	c	d
FRONT	X R	0706	88-108-102-080	C-RES,U 1K-1/16W J	a	b	c	d
FRONT	X R	0707	88-108-102-080	C-RES,U 1K-1/16W J	a	b	c	d
FRONT	X R	0708	88-121-102-080	RES,1K-1/8W J	a	b	c	d
FRONT	X R	0709	88-108-101-080	C-RES,U 100-1/16W J	a	b	c	d
FRONT	X R	0710	88-128-101-080	C-RES, 100-1/8W J	a	b	c	d
FRONT	X R	0711	88-108-101-080	C-RES,U 100-1/16W J	a	b	c	d
FRONT	X R	0712	88-108-101-080	C-RES,U 100-1/16W J	a	b	c	d
FRONT	X R	0719	88-108-100-080	C-RES,U 10-1/16W J	a	b	c	d
FRONT	X R	0721	88-108-103-080	C-RES,U 10K-1/16W J	a	b	c	d
FRONT	X R	0730	88-108-102-080	C-RES,U 1K-1/16W J	a	b	c	d
FRONT	X R	0732	88-108-101-080	C-RES,U 100-1/16W J	a	b	c	d
FRONT	X R	0733	88-108-101-080	C-RES,U 100-1/16W J	a	b	c	d
FRONT	X R	0734	88-108-102-080	C-RES,U 1K-1/16W J	a	b	c	d
FRONT	X R	0735	88-108-102-080	C-RES,U 1K-1/16W J	a	b	c	d
FRONT	X R	0740	88-108-102-080	C-RES,U 1K-1/16W J	a	b	c	d
FRONT	X R	0741	88-108-101-080	C-RES,U 100-1/16W J	a	b	c	d
FRONT	X R	0742	88-108-102-080	C-RES,U 1K-1/16W J	a	b	c	d
FRONT	X R	0743	88-108-474-080	C-RES,U 470K-1/16W J	a	b	c	d
FRONT	X R	0744	88-108-823-080	C-RES,U 82K-1/16W J	a	b	c	d
FRONT	X R	0745	88-108-104-080	C-RES,U 100K-1/16W J	a	b	c	d
FRONT	X R	0749	88-108-474-080	C-RES,U 470K-1/16W J	a	b	c	d
FRONT	X R	0803	88-108-102-080	C-RES,U 1K-1/16W J	a	b	c	d
FRONT	X R	0804	88-108-224-080	C-RES,U 220K-1/16W J	a	b	c	d
FRONT	X R	0805	88-108-273-080	C-RES,U 27K-1/16W J	a	b	c	d
FRONT	X R	0806	88-108-562-080	C-RES,U 5.6K-1/16W J	a	b	c	d
FRONT	X R	0807	88-108-000-080	C-JUMPER,U	a	b	c	d
FRONT	X R	0808	88-121-101-080	RES,100-1/8W J	a	b	c	d
FRONT	X R	0809	88-108-102-080	C-RES,U 1K-1/16W J	a	b	c	d
FRONT	X R	0810	88-108-182-080	C-RES,U 1.8K-1/16W J	a	b	c	d
FRONT	X R	0811	88-108-224-080	C-RES,U 220K-1/16W J	a	b	c	d
FRONT	X R	0813	88-108-224-080	C-RES,U 220K-1/16W J	a	b	c	d
FRONT	X R	0815	88-108-272-080	C-RES,U 2.7K-1/16W J	a	b	c	d
FRONT	X R	0816	88-108-104-080	C-RES,U 100K-1/16W J	a	b	c	d
FRONT	X R	0818	88-108-224-080	C-RES,U 220K-1/16W J	a	b	c	d
FRONT	X R	0819	88-108-222-080	C-RES,U 2.2K-1/16W J	a	b	c	d
FRONT	X R	0820	88-108-101-080	C-RES,U 100-1/16W J	a	b	c	d
FRONT	X R	0821	88-108-104-080	C-RES,U 100K-1/16W J	a	b	c	d
FRONT	X R	0822	88-108-224-080	C-RES,U 220K-1/16W J	a	b	c	d
FRONT	X R	0823	88-100-000-010	PLATING-JW, 0.58 SN95	a	b	c	d
FRONT	X R	0824	88-100-000-010	PLATING-JW, 0.58 SN95	a	b	c	d
FRONT	X R	0825	88-100-000-010	PLATING-JW, 0.58 SN95	a	b	c	d
FRONT	X R	0826	88-108-000-080	C-JUMPER,U	a	b	c	d
FRONT	X R	0827	88-108-473-080	C-RES,U 47K-1/16W J	a	b	c	d
FRONT	X R	0901	88-108-104-080	C-RES,U 100K-1/16W J	a	b	c	d
FRONT	X R	0902	88-108-104-080	C-RES,U 100K-1/16W J	a	b	c	d
FRONT	X R	0903	88-108-104-080	C-RES,U 100K-1/16W J	a	b	c	d
FRONT	X R	0904	88-108-104-080	C-RES,U 100K-1/16W J	a	b	c	d
FRONT	X R	0905	88-108-104-080	C-RES,U 100K-1/16W J	a	b	c	d
FRONT	X R	0906	88-108-104-080	C-RES,U 100K-1/16W J	a	b	c	d
FRONT	X R	0907	88-108-104-080	C-RES,U 100K-1/16W J	a	b	c	d
FRONT	X R	0908	88-108-104-080	C-RES,U 100K-1/16W J	a	b	c	d
FRONT	X R	0909	88-108-104-080	C-RES,U 100K-1/16W J	a	b	c	d
FRONT	X R	0910	88-108-104-080	C-RES,U 100K-1/16W J	a	b	c	d
FRONT	X R	0911	88-108-104-080	C-RES,U 100K-1/16W J	a	b	c	d
FRONT	X R	0912	88-108-104-080	C-RES,U 100K-1/16W J	a	b	c	d
FRONT	X R	0913	88-108-104-080	C-RES,U 100K-1/16W J	a	b	c	d
FRONT	X R	0914	88-108-473-080	C-RES,U 47K-1/16W J	a	b	c	d
FRONT	X R	0915	88-108-104-080	C-RES,U 100K-1/16W J	a	b	c	d
FRONT	X R	0916	88-108-104-080	C-RES,U 100K-1/16W J	a	b	c	d
FRONT	X R	0917	88-108-104-080	C-RES,U 100K-1/16W J	a	b	c	d
FRONT	X R	0918	88-108-104-080	C-RES,U 100K-1/16W J	a	b	c	d
FRONT	X R	0919	88-108-104-080	C-RES,U 100K-1/16W J	a	b	c	d
FRONT	X R	0920	88-108-104-080	C-RES,U 100K-1/16W J	a	b	c	d
FRONT	X R	0921	88-108-104-080	C-RES,U 100K-1/16W J	a	b	c	d
FRONT	X R	0922	88-108-104-080	C-RES,U 100K-1/16W J	a	b	c	d
FRONT	X R	0923	88-108-104-080	C-RES,U 100K-1/16W J	a	b	c	d
FRONT	X R	0924	88-108-104-080	C-RES,U 100K-1/16W J	a	b	c	d
FRONT	X R	0925	88-108-104-080	C-RES,U 100K-1/16W J	a	b	c	d
FRONT	X R	0926	88-108-104-080	C-RES,U 100K-1/16W J	a	b	c	d
FRONT	X R	0927	88-108-104-080	C-RES,U 100K-1/16W J	a	b	c	d
FRONT	X R	0928	88-108-104-080	C-RES,U 100K-1/16W J	a	b	c	d
FRONT	X R	0929	88-108-104-080	C-RES,U 100K-1/16W J	a	b	c	d
FRONT	X R	0930	88-108-104-080	C-RES,U 100K-1/16W J	a	b	c	d
FRONT	X R	0931	88-108-104-080	C-RES,U 100K-1/16W J	a	b	c	d
FRONT	X R	0932	88-108-104-080	C-RES,U 100K-1/16W J	a	b	c	d
FRONT	X R	0933	88-121-104-080	RES,100K-1/8W J	a	b	c	d
FRONT	X R	0934	88-108-683-080	C-RES,U 68K-1/16W J	a	b	c	d

! = SAFETY PARTS
 C = Components marked

All components used on this model at the production line are shown in this service manual.
 However, please note that not all components will be available as spare parts for after-sales service.
 Components marked S and O are designated as spare parts for service and will be stocked at the spare parts centers.
 Components marked X and R are not designated as spare parts for after sales service, and will not be stocked at the spare parts centers.

UNIT-NAME	! C	REF-NO	PARTS-NO	PARTS-NAME	SUFFIX&MODEL			
					CX-NR30	CX-NR30	CX-NR31	CX-NR37
					KSC	EZSC	EZSC	EZBC
FRONT	X R	0935	88-108-683-080	C-RES,U 68K-1/16W J	a	b	c	d
FRONT	X R	0936	88-108-104-080	C-RES,U 100K-1/16W J	a	b	c	d
FRONT	X R	0937	88-128-472-080	C-RES, 4.7K-1/8W J	a	b	c	d
FRONT	X R	0938	88-108-472-080	C-RES,U 4.7K-1/16W J	a	b	c	d
FRONT	X R	0939	88-108-472-080	C-RES,U 4.7K-1/16W J	a	b	c	d
FRONT	X R	0940	88-108-104-080	C-RES,U 100K-1/16W J	a	b	c	d
FRONT	X R	0941	88-108-104-080	C-RES,U 100K-1/16W J	a	b	c	d
FRONT	X R	0942	88-108-103-080	C-RES,U 10K-1/16W J	a	b	c	d
FRONT	X R	0943	88-121-472-080	RES,4.7K-1/8W J	a	b	c	d
FRONT	X R	0946	88-108-000-080	C-JUMPER,U	a	b	c	d
FRONT	X R	0947	88-108-104-080	C-RES,U 100K-1/16W J	a	b	c	d
FRONT	X R	0948	88-121-104-080	RES,100K-1/8W J	a	b	c	d
FRONT	X R	0951	88-108-102-080	C-RES,U 1K-1/16W J	a	b	c	d
FRONT	X R	0955	88-108-104-080	C-RES,U 100K-1/16W J	a	b	c	d
FRONT	X R	0956	88-108-104-080	C-RES,U 100K-1/16W J	a	b	c	d
FRONT	X R	0957	88-108-104-080	C-RES,U 100K-1/16W J	a	b	c	d
FRONT	X R	0958	88-108-103-080	C-RES,U 10K-1/16W J	a	b	c	d
FRONT	X R	0959	88-108-103-080	C-RES,U 10K-1/16W J	a	b	c	d
FRONT	X R	0960	88-108-103-080	C-RES,U 10K-1/16W J	a	b	c	d
FRONT	X R	0961	88-121-181-080	RES,180-1/8W J	a	b	c	d
					CX-NR30	CX-NR30	CX-NR31	CX-NR37
					KSC	EZSC	EZSC	EZBC
FRONT	X R	0962	88-108-563-080	C-RES,U 56K-1/16W J	a	b	c	d
FRONT	X R	0969	88-108-103-080	C-RES,U 10K-1/16W J	a	b	c	d
FRONT	X R	0981	88-108-103-080	C-RES,U 10K-1/16W J	a	b	c	d
FRONT	X R	0982	88-108-103-080	C-RES,U 10K-1/16W J	a	b	c	d
FRONT	X R	0983	88-108-103-080	C-RES,U 10K-1/16W J	a	b	c	d
FRONT	X R	0984	88-108-103-080	C-RES,U 10K-1/16W J	a	b	c	d
FRONT	X R	0985	88-121-103-080	RES,10K-1/8W J	a	b	c	d
FRONT	X R	0986	88-121-103-080	RES,10K-1/8W J	a	b	c	d
FRONT	X R	0987	88-108-103-080	C-RES,U 10K-1/16W J	a	b	c	d
FRONT	X R	0988	88-108-103-080	C-RES,U 10K-1/16W J	a	b	c	d
FRONT	X R	0989	88-108-103-080	C-RES,U 10K-1/16W J	a	b	c	d
FRONT	O S	0321	87-A91-024-180	SW,TACT KSHG611BT	a	b	c	d
FRONT	O S	0322	87-A91-024-180	SW,TACT KSHG611BT	a	b	c	d
FRONT	O S	0323	87-A91-024-180	SW,TACT KSHG611BT	a	b	c	d
FRONT	O S	0324	87-A91-024-180	SW,TACT KSHG611BT	a	b	c	d
FRONT	O S	0325	87-A91-024-180	SW,TACT KSHG611BT	a	b	c	d
FRONT	O S	0326	87-A91-024-180	SW,TACT KSHG611BT	a	b	c	d
FRONT	O S	0327	87-A91-024-180	SW,TACT KSHG611BT	a	b	c	d
FRONT	O S	0328	87-A91-024-180	SW,TACT KSHG611BT	a	b	c	d
FRONT	O S	0329	87-A91-024-180	SW,TACT KSHG611BT	a	b	c	d
					CX-NR30	CX-NR30	CX-NR31	CX-NR37
					KSC	EZSC	EZSC	EZBC
FRONT	O S	0330	87-A91-024-180	SW,TACT KSHG611BT	a	b	c	d
FRONT	O S	0331	87-A91-024-180	SW,TACT KSHG611BT	a	b	c	d
FRONT	O S	0332	87-A91-024-180	SW,TACT KSHG611BT	a	b	c	d
FRONT	O S	0333	87-A91-024-180	SW,TACT KSHG611BT	a	b	c	d
FRONT	O S	0334	87-A91-024-180	SW,TACT KSHG611BT	a	b	c	d
FRONT	O S	0335	87-A91-024-180	SW,TACT KSHG611BT	a	b	c	d
FRONT	O S	0341	87-A91-024-180	SW,TACT KSHG611BT	a	b	c	d
FRONT	O S	0342	87-A91-024-180	SW,TACT KSHG611BT	a	b	c	d
FRONT	O S	0343	87-A91-024-180	SW,TACT KSHG611BT	a	b	c	d
FRONT	O S	0344	87-A91-024-180	SW,TACT KSHG611BT	a	b	c	d
FRONT	O S	0345	87-A91-024-180	SW,TACT KSHG611BT	a	b	c	d
FRONT	O S	0346	87-A91-024-180	SW,TACT KSHG611BT	a	b	c	d
FRONT	O S	0347	87-A91-024-180	SW,TACT KSHG611BT	a	b	c	d
FRONT	O S	0348	87-A91-024-180	SW,TACT KSHG611BT	a	b	c	d
FRONT	O S	0350	87-A91-024-180	SW,TACT KSHG611BT	a	b	c	d
FRONT	O S	0351	87-A91-024-180	SW,TACT KSHG611BT	.	.	c	.
FRONT	O S	0361	87-A92-359-010	SW,RTRY EC12E24604-30MM	a	b	c	d
FRONT	O S	0371	87-A92-273-010	SW,RTRY EC12E12204 30MM	a	b	c	d
HP	O C	0223	87-010-176-080	C-CAP,S 680P-50 J SL	a	b	c	d
HP	O C	0224	87-010-176-080	C-CAP,S 680P-50 J SL	a	b	c	d
					CX-NR30	CX-NR30	CX-NR31	CX-NR37
					KSC	EZSC	EZSC	EZBC
HP	O J	0201	87-A60-420-010	JACK,3.5 ST (MSC)	a	b	c	d
HP	O R	0243	87-A00-439-050	RES,180-1/2W J RP	a	b	c	d
HP	O R	0244	87-A00-439-050	RES,180-1/2W J RP	a	b	c	d
HP	O R	0245	87-A00-439-050	RES,180-1/2W J RP	a	b	c	d
HP	O R	0246	87-A00-439-050	RES,180-1/2W J RP	a	b	c	d
HP	O WH	0201	87-A90-459-010	HLDLDR,WIRE 2.5-5P	a	b	c	d
MAIN	O C	0003	87-012-368-080	C-CAP,S 0.1-50 Z F	a	b	c	d
MAIN	O C	0004	87-012-368-080	C-CAP,S 0.1-50 Z F	a	b	c	d
MAIN	O C	0005	87-012-368-080	C-CAP,S 0.1-50 Z F	a	b	c	d
MAIN	O C	0006	87-012-368-080	C-CAP,S 0.1-50 Z F	a	b	c	d
MAIN	O C	0009	87-010-759-080	C-CAP,U 0.1-25 Z F	a	b	c	d
MAIN	O C	0010	87-010-759-080	C-CAP,U 0.1-25 Z F	a	b	c	d
MAIN	O C	0011	87-010-759-080	C-CAP,U 0.1-25 Z F	a	b	c	d
MAIN	O C	0012	87-010-759-080	C-CAP,U 0.1-25 Z F	a	b	c	d
MAIN	O C	0013	87-012-282-080	C-CAP,U 4700P-50 K B	a	b	c	d
MAIN	O C	0014	87-A12-071-080	CAP,E 47-25 SMG	a	b	c	d
MAIN	O C	0016	87-012-286-080	C-CAP,U 0.01-25 K B	a	b	c	d
MAIN	O C	0019	87-A12-827-000	CAP,E 3300-50 M 85 GS	a	b	c	d
MAIN	O C	0020	87-A12-827-000	CAP,E 3300-50 M 85 GS	a	b	c	d
MAIN	O C	0021	87-A12-829-000	CAP,E 4700-25 M 85 GS	a	b	c	d

! = SAFETY PARTS
 C = Components marked

All components used on this model at the production line are shown in this service manual.
 However, please note that not all components will be available as spare parts for after-sales service.
 Components marked S and O are designated as spare parts for service and will be stocked at the spare parts centers.
 Components marked X and R are not designated as spare parts for after sales service, and will not be stocked at the spare parts centers.

UNIT-NAME	! C	REF-NO	PARTS-NO	PARTS-NAME	SUFFIX&MODEL				
					CX-NR30	CX-NR30	CX-NR31	CX-NR37	
					KSC	EZSC	EZSC	EZBC	
MAIN	O	C	0022	87-A12-826-000	CAP,E 3300-35 M 85 GS	a	b	c	d
MAIN	O	C	0025	87-A12-079-080	CAP,E 100-35 SMG	a	b	c	d
MAIN	O	C	0026	87-A12-079-080	CAP,E 100-35 SMG	a	b	c	d
MAIN	O	C	0027	87-A12-079-080	CAP,E 100-35 SMG	a	b	c	d
MAIN	O	C	0028	87-A12-079-080	CAP,E 100-35 SMG	a	b	c	d
MAIN	O	C	0030	87-A12-095-080	CAP,E 100-50 SMG	a	b	c	d
MAIN	O	C	0031	87-A12-062-080	CAP,E 100-10 SMG	a	b	c	d
MAIN	O	C	0034	87-A12-071-080	CAP,E 47-25 SMG	a	b	c	d
MAIN	O	C	0035	87-A12-091-080	CAP,E 10-50 SMG	a	b	c	d
MAIN	O	C	0036	87-A12-071-080	CAP,E 47-25 SMG	a	b	c	d
MAIN	O	C	0060	87-A12-089-080	CAP,E 3.3-50 SMG	a	b	c	d
MAIN	O	C	0061	87-A12-071-080	CAP,E 47-25 SMG	a	b	c	d
MAIN	O	C	0083	87-A12-068-080	CAP,E 470-16 SMG	a	b	c	d
MAIN	O	C	0097	87-012-286-080	C-CAP,U 0.01-25 K B	a	b	c	d
MAIN	O	C	0101	87-012-278-080	C-CAP,U 2200P-50 K B	a	b	c	d
MAIN	O	C	0102	87-012-278-080	C-CAP,U 2200P-50 K B	a	b	c	d
MAIN	O	C	0103	87-A12-085-080	CAP,E 0.33-50 SMG	a	b	c	d
MAIN	O	C	0104	87-A12-085-080	CAP,E 0.33-50 SMG	a	b	c	d
MAIN	O	C	0107	87-A12-090-080	CAP,E 4.7-50 SMG	a	b	c	d
MAIN	O	C	0108	87-A12-090-080	CAP,E 4.7-50 SMG	a	b	c	d
					CX-NR30	CX-NR30	CX-NR31	CX-NR37	
					KSC	EZSC	EZSC	EZBC	
MAIN	O	C	0109	87-012-195-080	C-CAP,U 100P-50 J CH	a	b	c	d
MAIN	O	C	0110	87-012-195-080	C-CAP,U 100P-50 J CH	a	b	c	d
MAIN	O	C	0111	87-A12-093-080	CAP,E 33-50 SMG	a	b	c	d
MAIN	O	C	0112	87-A12-093-080	CAP,E 33-50 SMG	a	b	c	d
MAIN	O	C	0113	87-012-195-080	C-CAP,U 100P-50 J CH	a	b	c	d
MAIN	O	C	0114	87-012-195-080	C-CAP,U 100P-50 J CH	a	b	c	d
MAIN	O	C	0117	87-012-368-080	C-CAP,S 0.1-50 Z F	a	b	c	d
MAIN	O	C	0118	87-012-368-080	C-CAP,S 0.1-50 Z F	a	b	c	d
MAIN	O	C	0119	87-012-286-080	C-CAP,U 0.01-25 K B	a	b	c	d
MAIN	O	C	0120	87-012-286-080	C-CAP,U 0.01-25 K B	a	b	c	d
MAIN	O	C	0121	87-A12-087-080	CAP,E 1-50 SMG	a	b	c	d
MAIN	O	C	0122	87-A12-087-080	CAP,E 1-50 SMG	a	b	c	d
MAIN	O	C	0123	87-010-177-080	C-CAP,S 820P-50 J SL C2012	a	b	c	d
MAIN	O	C	0124	87-010-177-080	C-CAP,S 820P-50 J SL C2012	a	b	c	d
MAIN	O	C	0125	87-012-195-080	C-CAP,U 100P-50 J CH	a	b	c	d
MAIN	O	C	0126	87-012-195-080	C-CAP,U 100P-50 J CH	a	b	c	d
MAIN	O	C	0133	87-012-282-080	C-CAP,U 4700P-50 K B	a	b	c	d
MAIN	O	C	0140	87-012-278-080	C-CAP,U 2200P-50 K B	a	b	c	d
MAIN	O	C	0145	87-012-282-080	C-CAP,U 4700P-50 K B	a	b	c	d
MAIN	O	C	0146	87-012-282-080	C-CAP,U 4700P-50 K B	a	b	c	d
					CX-NR30	CX-NR30	CX-NR31	CX-NR37	
					KSC	EZSC	EZSC	EZBC	
MAIN	O	C	0186	87-010-759-080	C-CAP,U 0.1-25 Z F	a	b	c	d
MAIN	O	C	0187	87-010-866-080	CAP,E 10-63 M VX	a	b	c	d
MAIN	O	C	0188	87-010-866-080	CAP,E 10-63 M VX	a	b	c	d
MAIN	O	C	0201	87-A10-260-080	C-CAP,U 0.1-16 K B	a	b	c	d
MAIN	O	C	0225	87-012-368-080	C-CAP,S 0.1-50 Z F	a	b	c	d
MAIN	O	C	0226	87-012-368-080	C-CAP,S 0.1-50 Z F	a	b	c	d
MAIN	O	C	0227	87-012-368-080	C-CAP,S 0.1-50 Z F	a	b	c	d
MAIN	O	C	0228	87-012-368-080	C-CAP,S 0.1-50 Z F	a	b	c	d
MAIN	O	C	0229	87-010-191-080	C-CAP,S 0.015-50 Z F GRM	a	b	c	d
MAIN	O	C	0230	87-010-191-080	C-CAP,S 0.015-50 Z F GRM	a	b	c	d
MAIN	O	C	0231	87-012-286-080	C-CAP,U 0.01-25 K B	a	b	c	d
MAIN	O	C	0232	87-012-286-080	C-CAP,U 0.01-25 K B	a	b	c	d
MAIN	O	C	0241	87-012-286-080	C-CAP,U 0.01-25 K B	a	b	c	d
MAIN	O	C	0301	87-012-275-080	C-CAP,U 1200P-50 K B GRM	a	b	c	d
MAIN	O	C	0302	87-012-275-080	C-CAP,U 1200P-50 K B GRM	a	b	c	d
MAIN	O	C	0303	87-012-275-080	C-CAP,U 1200P-50 K B GRM	a	b	c	d
MAIN	O	C	0304	87-012-275-080	C-CAP,U 1200P-50 K B GRM	a	b	c	d
MAIN	O	C	0310	87-012-274-080	C-CAP,U 1000P-50 K B	a	b	c	d
MAIN	O	C	0363	87-010-759-080	C-CAP,U 0.1-25 Z F	a	b	c	d
MAIN	O	C	0451	87-010-759-080	C-CAP,U 0.1-25 Z F	a	b	c	d
					CX-NR30	CX-NR30	CX-NR31	CX-NR37	
					KSC	EZSC	EZSC	EZBC	
MAIN	O	C	0452	87-A12-092-080	CAP,E 22-50 SMG	a	b	c	d
MAIN	O	C	0453	87-012-279-080	C-CAP,U 2700P-50 K B GRM	a	b	c	d
MAIN	O	C	0454	87-012-279-080	C-CAP,U 2700P-50 K B GRM	a	b	c	d
MAIN	O	C	0455	87-012-279-080	C-CAP,U 2700P-50 K B GRM	a	b	c	d
MAIN	O	C	0456	87-012-286-080	C-CAP,U 0.01-25 K B	a	b	c	d
MAIN	O	C	0457	87-A12-361-080	CAP,M 5600P-100 J CP	a	b	c	d
MAIN	O	C	0458	87-012-278-080	C-CAP,U 2200P-50 K B	a	b	c	d
MAIN	O	C	0459	87-012-271-080	C-CAP,U 560P-50 K B	a	b	c	d
MAIN	O	C	0460	87-010-759-080	C-CAP,U 0.1-25 Z F	a	b	c	d
MAIN	O	C	0461	87-012-158-080	C-CAP,S 390P-50 J CH GRM	a	b	c	d
MAIN	O	C	0462	87-012-158-080	C-CAP,S 390P-50 J CH GRM	a	b	c	d
MAIN	O	C	0463	87-010-759-080	C-CAP,U 0.1-25 Z F	a	b	c	d
MAIN	O	C	0464	87-012-278-080	C-CAP,U 2200P-50 K B	a	b	c	d
MAIN	O	C	0465	87-012-286-080	C-CAP,U 0.01-25 K B	a	b	c	d
MAIN	O	C	0601	87-012-176-080	C-CAP,U 15P-50 J CH	a	b	c	d
MAIN	O	C	0602	87-012-176-080	C-CAP,U 15P-50 J CH	a	b	c	d
MAIN	O	C	0603	87-A12-062-080	CAP,E 100-10 SMG	a	b	c	d
MAIN	O	C	0604	87-A12-062-080	CAP,E 100-10 SMG	a	b	c	d
MAIN	O	C	0605	87-A12-362-080	CAP,M 6800P-100 J CP	a	b	c	d
MAIN	O	C	0606	87-A12-362-080	CAP,M 6800P-100 J CP	a	b	c	d

! = SAFETY PARTS
 C = Components marked

All components used on this model at the production line are shown in this service manual.
 However, please note that not all components will be available as spare parts for after-sales service.
 Components marked S and O are designated as spare parts for service and will be stocked at the spare parts centers.
 Components marked X and R are not designated as spare parts for after sales service, and will not be stocked at the spare parts centers.

UNIT-NAME	! C	REF-NO	PARTS-NO	PARTS-NAME	SUFFIX&MODEL				
					CX-NR30 KSC	CX-NR30 EZSC	CX-NR31 EZSC	CX-NR37 EZBC	
MAIN	O	C	0607	87-A10-039-080	C-CAP,U 470P-50 J CH	a	b	c	d
MAIN	O	C	0608	87-A10-039-080	C-CAP,U 470P-50 J CH	a	b	c	d
MAIN	O	C	0609	87-A12-087-080	CAP,E 1-50 SMG	a	b	c	d
MAIN	O	C	0610	87-A12-087-080	CAP,E 1-50 SMG	a	b	c	d
MAIN	O	C	0611	87-A12-790-080	C-CAP,U 560P-50 J CH	a	b	c	d
MAIN	O	C	0612	87-A12-790-080	C-CAP,U 560P-50 J CH	a	b	c	d
MAIN	O	C	0613	87-012-280-080	C-CAP,U 3300P-50 K B	a	b	c	d
MAIN	O	C	0614	87-012-280-080	C-CAP,U 3300P-50 K B	a	b	c	d
MAIN	O	C	0615	87-A12-084-080	CAP,E 0.22-50 SMG	a	b	c	d
MAIN	O	C	0616	87-A12-084-080	CAP,E 0.22-50 SMG	a	b	c	d
MAIN	O	C	0617	87-A12-084-080	CAP,E 0.22-50 SMG	a	b	c	d
MAIN	O	C	0618	87-A12-084-080	CAP,E 0.22-50 SMG	a	b	c	d
MAIN	O	C	0625	87-012-198-080	C-CAP,U 180P-50 J CH	a	b	c	d
MAIN	O	C	0626	87-012-198-080	C-CAP,U 180P-50 J CH	a	b	c	d
MAIN	O	C	0627	87-012-284-080	C-CAP,U 6800P-50 K B GRM	a	b	c	d
MAIN	O	C	0628	87-012-284-080	C-CAP,U 6800P-50 K B GRM	a	b	c	d
MAIN	O	C	0629	87-012-286-080	C-CAP,U 0.01-25 K B	a	b	c	d
MAIN	O	C	0630	87-012-286-080	C-CAP,U 0.01-25 K B	a	b	c	d
MAIN	O	C	0631	87-012-278-080	C-CAP,U 2200P-50 K B	a	b	c	d
MAIN	O	C	0632	87-012-278-080	C-CAP,U 2200P-50 K B	a	b	c	d
MAIN	O	C	0641	87-A12-087-080	CAP,E 1-50 SMG	a	b	c	d
MAIN	O	C	0642	87-A12-087-080	CAP,E 1-50 SMG	a	b	c	d
MAIN	O	C	0651	87-A12-063-080	CAP,E 220-10 SMG	a	b	c	d
MAIN	O	C	0652	87-A12-071-080	CAP,E 47-25 SMG	a	b	c	d
MAIN	O	C	0655	87-A12-090-080	CAP,E 4.7-50 SMG	a	b	c	d
MAIN	O	C	0656	87-010-784-080	C-CAP,U 0.012-25 K B	a	b	c	d
MAIN	O	C	0663	87-010-759-080	C-CAP,U 0.1-25 Z F	a	b	c	d
MAIN	O	C	0664	87-010-759-080	C-CAP,U 0.1-25 Z F	a	b	c	d
MAIN	O	C	0665	87-A10-504-080	C-CAP,U 0.047-16 K B	a	b	c	d
MAIN	O	C	0666	87-A10-504-080	C-CAP,U 0.047-16 K B	a	b	c	d
MAIN	O	C	0677	87-012-286-080	C-CAP,U 0.01-25 K B	a	b	c	d
MAIN	O	C	0771	87-A12-062-080	CAP,E 100-10 SMG	a	b	c	d
MAIN	O	C	0772	87-012-286-080	C-CAP,U 0.01-25 K B	a	b	c	d
MAIN	X	C	0781	88-108-000-080	C-JUMPER,U	a	b	c	d
MAIN	O	C	0782	87-012-286-080	C-CAP,U 0.01-25 K B	a	b	c	d
MAIN	O	C	0783	87-012-286-080	C-CAP,U 0.01-25 K B	a	b	c	d
MAIN	O	C	0784	87-012-286-080	C-CAP,U 0.01-25 K B	a	b	c	d
MAIN	O	C	0785	87-012-286-080	C-CAP,U 0.01-25 K B	a	b	c	d
MAIN	O	C	0786	87-012-286-080	C-CAP,U 0.01-25 K B	a	b	c	d
MAIN	O	C	0788	87-012-167-080	C-CAP,U 5P-50 C CH	a	b	c	d
MAIN	O	C	0789	87-016-118-080	C-CAP,U 0.022-25 J B GRM	a	b	c	d
MAIN	O	C	0790	87-016-118-080	C-CAP,U 0.022-25 J B GRM	a	b	c	d
MAIN	O	C	0791	87-010-759-080	C-CAP,U 0.1-25 Z F	a	b	c	d
MAIN	O	C	0792	87-012-286-080	C-CAP,U 0.01-25 K B	a	b	c	d
MAIN	O	C	0793	87-A12-090-080	CAP,E 4.7-50 SMG	a	b	c	d
MAIN	O	C	0795	87-012-286-080	C-CAP,U 0.01-25 K B	a	b	c	d
MAIN	O	C	0796	87-012-286-080	C-CAP,U 0.01-25 K B	a	b	c	d
MAIN	O	C	0797	87-A12-091-080	CAP,E 10-50 SMG	a	b	c	d
MAIN	O	C	0798	87-012-286-080	C-CAP,U 0.01-25 K B	a	b	c	d
MAIN	O	C	0799	87-010-265-080	CAP,E 33-16 M 11L SME	a	b	c	d
MAIN	O	C	0800	87-010-829-080	C-CAP,U 0.047-16 Z F	a	b	c	d
MAIN	O	C	0801	87-A12-089-080	CAP,E 3.3-50 SMG	a	b	c	d
MAIN	O	C	0802	87-010-829-080	C-CAP,U 0.047-16 Z F	a	b	c	d
MAIN	O	C	0803	87-010-787-080	C-CAP,U 0.022-25 K B	a	b	c	d
MAIN	O	C	0804	87-A12-062-080	CAP,E 100-10 SMG	a	b	c	d
MAIN	O	C	0807	87-A12-086-080	CAP,E 0.47-50 SMG	a	b	c	d
MAIN	O	C	0808	87-A12-087-080	CAP,E 1-50 SMG	a	b	c	d
MAIN	O	C	0809	87-A12-087-080	CAP,E 1-50 SMG	a	b	c	d
MAIN	O	C	0810	87-010-759-080	C-CAP,U 0.1-25 Z F	a	b	c	d
MAIN	O	C	0814	87-012-286-080	C-CAP,U 0.01-25 K B	a	b	c	d
MAIN	O	C	0815	87-A12-086-080	CAP,E 0.47-50 SMG	a	b	c	d
MAIN	O	C	0816	87-A12-086-080	CAP,E 0.47-50 SMG	a	b	c	d
MAIN	O	C	0818	87-012-276-080	C-CAP,U 1500P-50 K B	a	b	c	d
MAIN	O	C	0821	87-A12-091-080	CAP,E 10-50 SMG	a	b	c	d
MAIN	X	C	0822	88-108-000-080	C-JUMPER,U	a	b	c	d
MAIN	O	C	0823	87-012-349-080	C-CAP,S 1000P-50 J CH GRM	a	b	c	d
MAIN	O	C	0824	87-A12-090-080	CAP,E 4.7-50 SMG	a	b	c	d
MAIN	O	C	0825	87-010-596-080	C-CAP,S 0.047-16 K R C2012	a	b	c	d
MAIN	O	C	0831	87-A12-092-080	CAP,E 22-50 SMG	a	b	c	d
MAIN	O	C	0842	87-012-286-080	C-CAP,U 0.01-25 K B	a	b	c	d
MAIN	X	C	0843	88-108-000-080	C-JUMPER,U	a	b	c	d
MAIN	O	C	0844	87-012-286-080	C-CAP,U 0.01-25 K B	a	b	c	d
MAIN	X	C	0845	88-108-000-080	C-JUMPER,U	a	b	c	d
MAIN	X	C	0846	88-108-000-080	C-JUMPER,U	a	b	c	d
MAIN	X	C	0847	88-108-000-080	C-JUMPER,U	a	b	c	d
MAIN	X	C	0848	88-108-000-080	C-JUMPER,U	a	b	c	d
MAIN	X	C	0849	88-108-000-080	C-JUMPER,U	a	b	c	d
MAIN	O	C	0850	87-A12-071-080	CAP,E 47-25 SMG	a	b	c	d
MAIN	O	C	0851	87-012-286-080	C-CAP,U 0.01-25 K B	a	b	c	d
MAIN	O	C	0852	87-012-286-080	C-CAP,U 0.01-25 K B	a	b	c	d

! = SAFETY PARTS
 C = Components marked

All components used on this model at the production line are shown in this service manual.
 However, please note that not all components will be available as spare parts for after-sales service.
 Components marked S and O are designated as spare parts for service and will be stocked at the spare parts centers.
 Components marked X and R are not designated as spare parts for after sales service, and will not be stocked at the spare parts centers.

UNIT-NAME	! C	REF-NO	PARTS-NO	PARTS-NAME	SUFFIX&MODEL				
					CX-NR30 KSC	CX-NR30 EZSC	CX-NR31 EZSC	CX-NR37 EZBC	
MAIN	O	C	0853	87-012-286-080	C-CAP,U 0.01-25 K B	a	b	c	d
MAIN	O	C	0859	87-010-759-080	C-CAP,U 0.1-25 Z F	a	b	c	d
MAIN	O	C	0860	87-012-286-080	C-CAP,U 0.01-25 K B	a	b	c	d
MAIN	O	C	0869	87-012-286-080	C-CAP,U 0.01-25 K B	.	.	c	.
MAIN	O	C	0870	87-012-274-080	C-CAP,U 1000P-50 K B	.	.	c	.
MAIN	O	C	0871	87-012-199-080	C-CAP,U 220P-50 J CH	.	.	c	.
MAIN	O	C	0872	87-012-199-080	C-CAP,U 220P-50 J CH	.	.	c	.
MAIN	O	C	0873	87-A10-039-080	C-CAP,U 470P-50 J CH	.	.	c	.
MAIN	O	C	0874	87-A12-091-080	CAP,E 10-50 SMG	.	.	c	.
MAIN	O	C	0875	87-010-759-080	C-CAP,U 0.1-25 Z F	.	.	c	.
MAIN	O	C	0876	87-A12-091-080	CAP,E 10-50 SMG	.	.	c	.
MAIN	O	C	0877	87-012-286-080	C-CAP,U 0.01-25 K B	.	.	c	.
MAIN	O	C	0878	87-012-184-080	C-CAP,U 33P-50 J CH	.	.	c	.
MAIN	O	C	0879	87-012-180-080	C-CAP,U 22P-50 J CH	.	.	c	.
MAIN	O	C	0901	87-012-162-080	C-CAP,U 1P-50 C CH	a	b	c	d
MAIN	O	C	0902	87-012-165-080	C-CAP,U 3P-50 C CH	a	b	c	d
MAIN	O	C	0903	87-012-164-080	C-CAP,U 2P-50 C CH	a	b	c	d
MAIN	O	C	0904	86-ZA1-615-080	C-CAP,U 680P-25 J CH	a	b	c	d
MAIN	O	C	0905	87-012-162-080	C-CAP,U 1P-50 C CH	a	b	c	d
MAIN	O	C	0906	87-012-172-080	C-CAP,U 10P-50 D CH	a	b	c	d
MAIN	O	C	0907	87-012-166-080	C-CAP,U 4P-50 C CH	a	b	c	d
MAIN	O	C	0908	87-012-165-080	C-CAP,U 3P-50 C CH	a	b	c	d
MAIN	O	C	0909	86-ZA1-615-080	C-CAP,U 680P-25 J CH	a	b	c	d
MAIN	O	C	0910	87-012-164-080	C-CAP,U 2P-50 C CH	a	b	c	d
MAIN	O	C	0911	87-012-166-080	C-CAP,U 4P-50 C CH	a	b	c	d
MAIN	O	C	0912	87-012-195-080	C-CAP,U 100P-50 J CH	a	b	c	d
MAIN	O	C	0913	86-ZA1-616-080	C-CAP,U 0.01-50 K B (MUR)	a	b	c	d
MAIN	O	C	0914	86-ZA1-616-080	C-CAP,U 0.01-50 K B (MUR)	a	b	c	d
MAIN	O	C	0915	86-ZA1-616-080	C-CAP,U 0.01-50 K B (MUR)	a	b	c	d
MAIN	O	C	0916	86-ZA1-616-080	C-CAP,U 0.01-50 K B (MUR)	a	b	c	d
MAIN	O	C	0917	87-012-178-080	C-CAP,U 18P-50 J CH	a	b	c	d
MAIN	O	C	0918	87-012-172-080	C-CAP,U 10P-50 D CH	a	b	c	d
MAIN	O	C	0919	87-012-184-080	C-CAP,U 33P-50 J CH	a	b	c	d
MAIN	O	C	0920	87-012-184-080	C-CAP,U 33P-50 J CH	a	b	c	d
MAIN	O	C	0921	87-012-180-080	C-CAP,U 22P-50 J CH	a	b	c	d
MAIN	O	C	0922	87-012-174-080	C-CAP,U 12P-50 J CH	a	b	c	d
MAIN	O	C	0923	86-ZA1-616-080	C-CAP,U 0.01-50 K B (MUR)	a	b	c	d
MAIN	O	C	0924	87-012-164-080	C-CAP,U 2P-50 C CH	a	b	c	d
MAIN	O	C	0925	87-012-164-080	C-CAP,U 2P-50 C CH	a	b	c	d
MAIN	O	C	0926	86-ZA1-616-080	C-CAP,U 0.01-50 K B (MUR)	a	b	c	d
MAIN	O	C	0931	87-A12-319-080	C-CAP,U 0.1-25 K B	a	b	c	d
MAIN	O	C	0940	87-012-286-080	C-CAP,U 0.01-25 K B	a	b	c	d
MAIN	O	C	0942	87-012-165-080	C-CAP,U 3P-50 C CH	a	b	c	d
MAIN	O	C	0947	87-012-286-080	C-CAP,U 0.01-25 K B	a	b	c	d
MAIN	O	C	0948	87-A10-039-080	C-CAP,U 470P-50 J CH	a	b	c	d
MAIN	O	C	0952	87-012-286-080	C-CAP,U 0.01-25 K B	a	b	c	d
MAIN	O	C	0958	87-012-286-080	C-CAP,U 0.01-25 K B	a	b	c	d
MAIN	O	C	0959	87-010-759-080	C-CAP,U 0.1-25 Z F	a	b	c	d
MAIN	O	C	0960	87-010-759-080	C-CAP,U 0.1-25 Z F	a	b	c	d
MAIN	O	C	0962	87-A12-087-080	CAP,E 1-50 SMG	a	b	c	d
MAIN	O	C	0963	87-A12-319-080	C-CAP,U 0.1-25 K B	a	b	c	d
MAIN	O	C	0971	87-A12-067-080	CAP,E 330-16 SMG	a	b	c	d
MAIN	O	C	0972	87-A12-090-080	CAP,E 4.7-50 SMG	a	b	c	d
MAIN	O	C	0973	87-012-286-080	C-CAP,U 0.01-25 K B	a	b	c	d
MAIN	O	C	0974	87-012-286-080	C-CAP,U 0.01-25 K B	a	b	c	d
MAIN	O	C	0979	87-012-195-080	C-CAP,U 100P-50 J CH	a	b	c	d
MAIN	O	C	0981	87-A12-071-080	CAP,E 47-25 SMG	a	b	c	d
MAIN	O	C	0982	87-010-759-080	C-CAP,U 0.1-25 Z F	a	b	c	d
MAIN	O	C	0983	87-012-286-080	C-CAP,U 0.01-25 K B	a	b	c	d
MAIN	O	C	0984	87-012-286-080	C-CAP,U 0.01-25 K B	a	b	c	d
MAIN	O	C	0985	87-012-195-080	C-CAP,U 100P-50 J CH	a	b	c	d
MAIN	O	C	0987	87-012-286-080	C-CAP,U 0.01-25 K B	a	b	c	d
MAIN	O	C	0988	87-012-286-080	C-CAP,U 0.01-25 K B	a	b	c	d
MAIN	O	C	0989	87-012-286-080	C-CAP,U 0.01-25 K B	a	b	c	d
MAIN	O	C	0991	87-012-176-080	C-CAP,U 15P-50 J CH	a	b	c	d
MAIN	O	C	0992	87-012-176-080	C-CAP,U 15P-50 J CH	a	b	c	d
MAIN	O	C	0993	87-012-274-080	C-CAP,U 1000P-50 K B	a	b	c	d
MAIN	O	C	0995	87-012-274-080	C-CAP,U 1000P-50 K B	a	b	c	d
MAIN	O	C	0997	87-010-759-080	C-CAP,U 0.1-25 Z F	a	b	c	d
MAIN	O	C	0998	87-A12-071-080	CAP,E 47-25 SMG	a	b	c	d
MAIN	O	C	0999	87-A11-155-080	CAP,TC U 0.01-16 Z F	a	b	c	d
MAIN	O	CF	0831	87-008-423-010	FLTR,CF SFE10.7MS3G-A	a	b	c	d
MAIN	O	CF	0832	82-785-747-010	CF,MS2 GHY,R	a	b	c	d
MAIN	X	CLP0303	87-A60-884-010	PIN,DIAL COATING-SHS	a	b	c	d	
MAIN	X	CLP0304	87-A60-884-010	PIN,DIAL COATING-SHS	a	b	c	d	
MAIN	O	CN	0301	87-A60-620-010	CONN,3P V 2MM JMT	a	b	c	d
MAIN	O	CN	0302	87-A60-625-010	CONN,8P V 2MM JMT	a	b	c	d
MAIN	O	CN	0601	87-099-719-010	CONN,30P H BLK TYK-B (X)	a	b	c	d
MAIN	O	CN	0602	87-A60-061-010	CONN,06P V 9604S-06C	a	b	c	d
MAIN	S	D	0001	87-A40-393-090	DIODE,1N5402GW (F20)	a	b	c	d

! = SAFETY PARTS
 C = Components marked

All components used on this model at the production line are shown in this service manual.
 However, please note that not all components will be available as spare parts for after-sales service.
 Components marked S and O are designated as spare parts for service and will be stocked at the spare parts centers.
 Components marked X and R are not designated as spare parts for after sales service, and will not be stocked at the spare parts centers.

UNIT-NAME	! C	REF-NO	PARTS-NO	PARTS-NAME	SUFFIX&MODEL				
					CX-NR30	CX-NR30	CX-NR31	CX-NR37	
					KSC	EZSC	EZSC	EZBC	
MAIN	S	D	0002	87-A40-393-090	DIODE,1N5402GW (F20)	a	b	c	d
MAIN	S	D	0003	87-A40-393-090	DIODE,1N5402GW (F20)	a	b	c	d
MAIN	S	D	0004	87-A40-393-090	DIODE,1N5402GW (F20)	a	b	c	d
MAIN	S	D	0005	87-A40-393-090	DIODE,1N5402GW (F20)	a	b	c	d
MAIN	S	D	0006	87-A40-393-090	DIODE,1N5402GW (F20)	a	b	c	d
MAIN	S	D	0007	87-A40-393-090	DIODE,1N5402GW (F20)	a	b	c	d
MAIN	S	D	0008	87-A40-393-090	DIODE,1N5402GW (F20)	a	b	c	d
MAIN	S	D	0011	87-A40-270-080	C-DIODE,MC2838	a	b	c	d
MAIN	S	D	0021	87-A40-345-080	ZENER,MTZJ10C	a	b	c	d
MAIN	S	D	0025	87-A40-553-080	DIODE,1N4003 LES	a	b	c	d
MAIN	S	D	0026	87-A40-553-080	DIODE,1N4003 LES	a	b	c	d
MAIN	S	D	0027	87-A40-553-080	DIODE,1N4003 LES	a	b	c	d
MAIN	S	D	0028	87-A40-553-080	DIODE,1N4003 LES	a	b	c	d
MAIN	S	D	0029	87-A40-336-080	ZENER,MTZJ27D T-72	a	b	c	d
MAIN	S	D	0030	87-020-465-080	DIODE,1SS133	a	b	c	d
MAIN	S	D	0032	87-020-465-080	DIODE,1SS133	a	b	c	d
MAIN	S	D	0041	87-A40-270-080	C-DIODE,MC2838	a	b	c	d
MAIN	S	D	0042	87-A40-269-080	C-DIODE,MC2836	a	b	c	d
MAIN	S	D	0060	87-020-465-080	DIODE,1SS133	a	b	c	d
MAIN	S	D	0063	87-A40-270-080	C-DIODE,MC2838	a	b	c	d
MAIN	S	D	0064	87-A40-269-080	C-DIODE,MC2836	a	b	c	d
MAIN	S	D	0076	87-A40-269-080	C-DIODE,MC2836	a	b	c	d
MAIN	S	D	0077	87-A40-270-080	C-DIODE,MC2838	a	b	c	d
MAIN	S	D	0101	87-A40-269-080	C-DIODE,MC2836	a	b	c	d
MAIN	S	D	0103	87-020-465-080	DIODE,1SS133	a	b	c	d
MAIN	S	D	0104	87-020-465-080	DIODE,1SS133	a	b	c	d
MAIN	S	D	0105	87-A40-269-080	C-DIODE,MC2836	a	b	c	d
MAIN	S	D	0106	87-A40-269-080	C-DIODE,MC2836	a	b	c	d
MAIN	S	D	0107	87-A40-270-080	C-DIODE,MC2838	a	b	c	d
MAIN	S	D	0108	87-A40-270-080	C-DIODE,MC2838	a	b	c	d
MAIN	S	D	0109	87-A40-488-080	DIODE,1SS244	a	b	c	d
MAIN	S	D	0110	87-A40-488-080	DIODE,1SS244	a	b	c	d
MAIN	S	D	0150	87-A40-270-080	C-DIODE,MC2838	a	b	c	d
MAIN	S	D	0160	87-A40-270-080	C-DIODE,MC2838	a	b	c	d
MAIN	S	D	0185	87-A40-393-090	DIODE,1N5402GW (F20)	a	b	c	d
MAIN	S	D	0186	87-A40-393-090	DIODE,1N5402GW (F20)	a	b	c	d
MAIN	S	D	0187	87-A40-871-080	ZENER,MTZJ5.6C	a	b	c	d
MAIN	S	D	0188	87-017-931-080	ZENER,MTZJ5.6B	a	b	c	d
MAIN	S	D	0189	87-A40-270-080	C-DIODE,MC2838	a	b	c	d
MAIN	S	D	0190	87-A40-269-080	C-DIODE,MC2836	a	b	c	d
MAIN	S	D	0191	87-A40-345-080	ZENER,MTZJ10C	a	b	c	d
MAIN	S	D	0192	87-020-465-080	DIODE,1SS133	a	b	c	d
MAIN	S	D	0193	87-020-465-080	DIODE,1SS133	a	b	c	d
MAIN	S	D	0280	87-A40-269-080	C-DIODE,MC2836	a	b	c	d
MAIN	S	D	0281	87-A40-270-080	C-DIODE,MC2838	a	b	c	d
MAIN	S	D	0301	87-A40-269-080	C-DIODE,MC2836	a	b	c	d
MAIN	S	D	0661	87-A40-438-080	ZENER,MTZJ4.7A	a	b	c	d
MAIN	S	D	0662	87-A40-438-080	ZENER,MTZJ4.7A	a	b	c	d
MAIN	S	D	0801	87-020-465-080	DIODE,1SS133	a	b	c	d
MAIN	S	D	0803	87-020-465-080	DIODE,1SS133	a	b	c	d
MAIN	O	D	0901	87-A41-048-040	C-VARI-CAP,HVM16-03 TL	a	b	c	d
MAIN	O	D	0902	87-A41-048-040	C-VARI-CAP,HVM16-03 TL	a	b	c	d
MAIN	O	D	0903	87-A41-048-040	C-VARI-CAP,HVM16-03 TL	a	b	c	d
MAIN	S	D	0942	87-A40-270-080	C-DIODE,MC2838	a	b	c	d
MAIN	S	D	0944	87-020-465-080	DIODE,1SS133	a	b	c	d
MAIN	O	D	0951	87-A40-799-040	C-VARI-CAP,KV1610S	a	b	c	d
MAIN	S	D	0991	87-017-149-080	ZENER,HZS6A2L	a	b	c	d
MAIN	S	D	0992	87-020-465-080	DIODE,1SS133	a	b	c	d
MAIN	S	D	0994	87-020-465-080	DIODE,1SS133	a	b	c	d
MAIN	X	FB	0601	88-118-000-080	C-JUMPER,S	a	b	c	d
MAIN	X	FB	0602	88-118-000-080	C-JUMPER,S	a	b	c	d
MAIN	X	FB	0603	88-100-000-010	PLATING-JW, 0.58 SN95	a	b	c	d
MAIN	O	FFC	0602	88-906-251-110	FF-CABLE,6P 1.25	a	b	c	d
MAIN	S	IC	0001	87-A21-364-010	IC,NJM7806FA (A)	a	b	c	d
MAIN	S	IC	0601	87-A22-236-040	C-IC,BD3881FV	a	b	c	d
MAIN	S	IC	0801	87-A22-060-010	IC,LA1845N-A	a	b	c	d
MAIN	S	IC	0861	87-A20-440-040	C-IC,BU1920FS	.	.	c	.
MAIN	S	IC	0991	87-A21-928-010	IC,LC72131D-N	a	b	c	d
MAIN	O	J	0203	87-A60-238-010	TERMINAL,SP 4P (MSC)	a	b	c	d
MAIN	O	J	0602	87-A60-881-010	JACK,PIN 2P MSP 242V05 PBSN	a	b	c	d
MAIN	O	J	0832	87-A60-403-010	TERMINAL,ANT PAL 2P HSP-312V05	a	b	c	d
MAIN	O	L	0201	87-A50-610-010	COIL,1UH K(MDEC)	a	b	c	d
MAIN	O	L	0202	87-A50-610-010	COIL,1UH K(MDEC)	a	b	c	d
MAIN	O	L	0451	87-007-342-010	COIL,OSC 85KHZ BIAS	a	b	c	d
MAIN	O	L	0801	87-A50-608-010	COIL,FM DET-N(TOK)	a	b	c	d
MAIN	O	L	0802	87-A91-551-010	FLTR,PCFJZH-450 L(TOK)	a	b	c	d
MAIN	O	L	0811	87-005-847-080	COIL,2.2UH K CECS	a	b	c	d
MAIN	O	L	0832	87-005-847-080	COIL,2.2UH K CECS	a	b	c	d
MAIN	O	L	0861	87-005-847-080	COIL,2.2UH K CECS	.	.	c	.
MAIN	O	L	0901	86-ZA1-612-010	COIL,FM ANT/RF-1-Z	a	b	c	d

! = Δ SAFETY PARTS
 C = Components marked

All components used on this model at the production line are shown in this service manual.
 However, please note that not all components will be available as spare parts for after-sales service.
 Components marked S and O are designated as spare parts for service and will be stocked at the spare parts centers.
 Components marked X and R are not designated as spare parts for after sales service, and will not be stocked at the spare parts centers.

UNIT-NAME	! C	REF-NO	PARTS-NO	PARTS-NAME	SUFFIX&MODEL			
					CX-NR30	CX-NR30	CX-NR31	CX-NR37
					KSC	EZSC	EZSC	EZBC
MAIN	O L	0902	86-ZA1-613-010	COIL, FM ANT/RF-2-Z	a	b	c	d
MAIN	O L	0903	87-005-847-080	COIL, 2.2UH K CECS	a	b	c	d
MAIN	O L	0904	86-ZA1-613-010	COIL, FM ANT/RF-2-Z	a	b	c	d
MAIN	O L	0905	86-ZA1-612-010	COIL, FM ANT/RF-1-Z	a	b	c	d
MAIN	O L	0906	87-005-847-080	COIL, 2.2UH K CECS	a	b	c	d
MAIN	O L	0907	86-ZA1-614-010	COIL, FM OSC-Z	a	b	c	d
MAIN	O L	0908	88-ZA1-624-010	COIL, FM IFT 7-6.2 (COILS)	a	b	c	d
MAIN	O L	0941	87-A50-020-010	COIL, ANT LW (COI) 252KHZ	a	b	c	d
MAIN	O L	0942	87-A50-019-010	COIL, OSC LW (COI) 856KHZ	a	b	c	d
MAIN	O L	0952	87-A50-766-010	COIL, MW ANT 3BLW (COI)	a	b	c	d
MAIN	O L	0953	87-A50-767-010	COIL, MW OSC 3BLW (COI)	a	b	c	d
MAIN	S Q	0001	87-A30-494-080	TR, 2SA1980G	a	b	c	d
MAIN	S Q	0002	87-A30-494-080	TR, 2SA1980G	a	b	c	d
MAIN	S Q	0003	87-A30-076-080	C-TR, 2SC3052F	a	b	c	d
MAIN	S Q	0006	87-A30-076-080	C-TR, 2SC3052F	a	b	c	d
MAIN	S Q	0009	87-A30-494-080	TR, 2SA1980G	a	b	c	d
MAIN	S Q	0010	87-A30-076-080	C-TR, 2SC3052F	a	b	c	d
MAIN	S Q	0011	87-A30-614-010	TR, 2SB1548	a	b	c	d
MAIN	S Q	0012	87-A30-630-080	TR, 2SC5343GL	a	b	c	d
MAIN	S Q	0060	87-A30-076-080	C-TR, 2SC3052F	a	b	c	d
					KSC	EZSC	EZSC	EZBC
MAIN	S Q	0061	87-A30-075-080	C-TR, 2SA1235F	a	b	c	d
MAIN	S Q	0062	87-A30-076-080	C-TR, 2SC3052F	a	b	c	d
MAIN	S Q	0063	87-A30-075-080	C-TR, 2SA1235F	a	b	c	d
MAIN	S Q	0064	87-A30-076-080	C-TR, 2SC3052F	a	b	c	d
MAIN	S Q	0101	87-A30-257-080	C-TR, 2SD1306E	a	b	c	d
MAIN	S Q	0102	87-A30-257-080	C-TR, 2SD1306E	a	b	c	d
MAIN	S Q	0103	87-A30-075-080	C-TR, 2SA1235F	a	b	c	d
MAIN	S Q	0104	87-A30-075-080	C-TR, 2SA1235F	a	b	c	d
MAIN	S Q	0105	87-A30-075-080	C-TR, 2SA1235F	a	b	c	d
MAIN	S Q	0106	87-A30-075-080	C-TR, 2SA1235F	a	b	c	d
MAIN	S Q	0107	87-A30-076-080	C-TR, 2SC3052F	a	b	c	d
MAIN	S Q	0108	87-A30-076-080	C-TR, 2SC3052F	a	b	c	d
MAIN	S Q	0109	87-A30-076-080	C-TR, 2SC3052F	a	b	c	d
MAIN	S Q	0110	87-A30-076-080	C-TR, 2SC3052F	a	b	c	d
MAIN	S Q	0111	87-A30-672-080	TR, 2N5551C	a	b	c	d
MAIN	S Q	0112	87-A30-672-080	TR, 2N5551C	a	b	c	d
MAIN	S Q	0113	87-A30-076-080	C-TR, 2SC3052F	a	b	c	d
MAIN	S Q	0114	87-A30-076-080	C-TR, 2SC3052F	a	b	c	d
MAIN	S Q	0115	87-A30-662-040	C-TR, 2SD814A (RS)	a	b	c	d
MAIN	S Q	0116	87-A30-662-040	C-TR, 2SD814A (RS)	a	b	c	d
					KSC	EZSC	EZSC	EZBC
MAIN	S Q	0117	87-A30-306-010	TR, 2SB1677	a	b	c	d
MAIN	S Q	0118	87-A30-306-010	TR, 2SB1677	a	b	c	d
MAIN	S Q	0119	87-A30-307-010	TR, 2SD2619	a	b	c	d
MAIN	S Q	0120	87-A30-307-010	TR, 2SD2619	a	b	c	d
MAIN	S Q	0123	87-A30-663-040	C-TR, 2SB792A (RS)	a	b	c	d
MAIN	S Q	0124	87-A30-663-040	C-TR, 2SB792A (RS)	a	b	c	d
MAIN	S Q	0126	87-A30-663-040	C-TR, 2SB792A (RS)	a	b	c	d
MAIN	S Q	0127	87-A30-076-080	C-TR, 2SC3052F	a	b	c	d
MAIN	S Q	0128	87-A30-076-080	C-TR, 2SC3052F	a	b	c	d
MAIN	S Q	0130	87-A30-662-040	C-TR, 2SD814A (RS)	a	b	c	d
MAIN	S Q	0183	87-A30-533-010	FET, 2SK2232	a	b	c	d
MAIN	S Q	0184	87-A30-533-010	FET, 2SK2232	a	b	c	d
MAIN	S Q	0185	87-A30-076-080	C-TR, 2SC3052F	a	b	c	d
MAIN	S Q	0186	87-A30-075-080	C-TR, 2SA1235F	a	b	c	d
MAIN	S Q	0187	87-A30-075-080	C-TR, 2SA1235F	a	b	c	d
MAIN	S Q	0235	87-A30-075-080	C-TR, 2SA1235F	a	b	c	d
MAIN	S Q	0280	87-A30-538-040	C-TR, SRA2202S	a	b	c	d
MAIN	S Q	0281	87-A30-663-040	C-TR, 2SB792A (RS)	a	b	c	d
MAIN	S Q	0301	87-A30-091-080	FET, 2SJ460	a	b	c	d
MAIN	S Q	0302	87-A30-091-080	FET, 2SJ460	a	b	c	d
					KSC	EZSC	EZSC	EZBC
MAIN	S Q	0303	87-A30-090-080	FET, 2SK2541	a	b	c	d
MAIN	S Q	0304	87-A30-090-080	FET, 2SK2541	a	b	c	d
MAIN	S Q	0305	87-A30-091-080	FET, 2SJ460	a	b	c	d
MAIN	S Q	0306	87-A30-091-080	FET, 2SJ460	a	b	c	d
MAIN	S Q	0307	87-A30-090-080	FET, 2SK2541	a	b	c	d
MAIN	S Q	0308	87-A30-090-080	FET, 2SK2541	a	b	c	d
MAIN	S Q	0309	87-A30-090-080	FET, 2SK2541	a	b	c	d
MAIN	S Q	0451	87-A30-630-080	TR, 2SC5343GL	a	b	c	d
MAIN	S Q	0452	87-A30-076-080	C-TR, 2SC3052F	a	b	c	d
MAIN	S Q	0453	89-333-317-880	TR, 2SC3331 (T/U)	a	b	c	d
MAIN	S Q	0454	89-333-317-880	TR, 2SC3331 (T/U)	a	b	c	d
MAIN	S Q	0455	87-A30-119-040	C-TR, 2SC3906K R	a	b	c	d
MAIN	S Q	0456	87-A30-076-080	C-TR, 2SC3052F	a	b	c	d
MAIN	S Q	0601	87-A30-538-040	C-TR, SRA2202S	a	b	c	d
MAIN	S Q	0651	87-A30-087-080	C-FET, 2SK2158	a	b	c	d
MAIN	S Q	0652	87-A30-087-080	C-FET, 2SK2158	a	b	c	d
MAIN	S Q	0653	87-A30-076-080	C-TR, 2SC3052F	a	b	c	d
MAIN	S Q	0835	87-A30-521-080	C-TR, 2SC5345SF/S (O)	a	b	c	d
MAIN	S Q	0836	87-A30-677-040	C-TR, SRA2207S	a	b	c	d
MAIN	S Q	0861	87-A30-076-080	C-TR, 2SC3052F	.	.	c	.

! = SAFETY PARTS
 C = Components marked

All components used on this model at the production line are shown in this service manual.
 However, please note that not all components will be available as spare parts for after-sales service.
 Components marked S and O are designated as spare parts for service and will be stocked at the spare parts centers.
 Components marked X and R are not designated as spare parts for after sales service, and will not be stocked at the spare parts centers.

UNIT-NAME	! C	REF-NO	PARTS-NO	PARTS-NAME	SUFFIX&MODEL			
					CX-NR30 KSC	CX-NR30 EZSC	CX-NR31 EZSC	CX-NR37 EZBC
MAIN	S Q	0863	87-A30-076-080	C-TR,2SC3052F	.	.	c	.
MAIN	S Q	0901	89-503-602-080	C-FET,2SK360E	a	b	c	d
MAIN	S Q	0902	87-A30-664-080	C-TR,2SC2620B	a	b	c	d
MAIN	S Q	0903	87-A30-664-080	C-TR,2SC2620B	a	b	c	d
MAIN	S Q	0904	87-A30-664-080	C-TR,2SC2620B	a	b	c	d
MAIN	S Q	0905	87-A30-664-080	C-TR,2SC2620B	a	b	c	d
MAIN	S Q	0948	87-A30-675-040	C-TR,2SD1306NE07TL	a	b	c	d
MAIN	S Q	0951	87-A30-538-040	C-TR,SRA2202S	a	b	c	d
MAIN	S Q	0952	87-A30-675-040	C-TR,2SD1306NE07TL	a	b	c	d
MAIN	S Q	0953	89-503-602-080	C-FET,2SK360E	a	b	c	d
MAIN	S Q	0981	87-A30-494-080	TR,2SA1980G	a	b	c	d
MAIN	S Q	0982	87-A30-076-080	C-TR,2SC3052F	a	b	c	d
MAIN	S Q	0983	87-A30-076-080	C-TR,2SC3052F	a	b	c	d
MAIN	X R	0001	88-100-000-010	PLATING-JW, 0.58 SN95	a	b	c	d
MAIN	X R	0005	88-100-000-010	PLATING-JW, 0.58 SN95	a	b	c	d
MAIN	X R	0009	88-108-223-080	C-RES,U 22K-1/16W J	a	b	c	d
MAIN	X R	0010	88-108-223-080	C-RES,U 22K-1/16W J	a	b	c	d
MAIN	X R	0011	88-118-472-080	C-RES,S 4.7K-1/10W J	a	b	c	d
MAIN	X R	0012	88-118-472-080	C-RES,S 4.7K-1/10W J	a	b	c	d
MAIN	X R	0013	88-108-472-080	C-RES,U 4.7K-1/16W J	a	b	c	d
MAIN	X R	0014	88-118-100-080	C-RES,S 10-1/10W J	a	b	c	d
MAIN	X R	0015	88-121-104-080	RES,100K-1/8W J	a	b	c	d
MAIN	X R	0016	88-108-104-080	C-RES,U 100K-1/16W J	a	b	c	d
MAIN	X R	0017	88-108-104-080	C-RES,U 100K-1/16W J	a	b	c	d
MAIN	X R	0018	88-108-104-080	C-RES,U 100K-1/16W J	a	b	c	d
MAIN	X R	0019	88-108-104-080	C-RES,U 100K-1/16W J	a	b	c	d
MAIN	X R	0024	88-118-103-080	C-RES,S 10K-1/10W J	a	b	c	d
MAIN	X R	0026	88-108-472-080	C-RES,U 4.7K-1/16W J	a	b	c	d
MAIN	X R	0027	88-118-000-080	C-JUMPER,S	a	b	c	d
MAIN	X R	0028	88-108-221-080	C-RES,U 220-1/16W J	a	b	c	d
MAIN	X R	0029	88-108-223-080	C-RES,U 22K-1/16W J	a	b	c	d
MAIN	X R	0031	88-121-154-080	RES,150K-1/8W J	a	b	c	d
MAIN	X R	0032	88-108-472-080	C-RES,U 4.7K-1/16W J	a	b	c	d
MAIN	X R	0035	88-108-123-080	C-RES,U 12K-1/16W J	a	b	c	d
MAIN	X R	0037	88-118-102-080	C-RES,S 1K-1/10W J	a	b	c	d
MAIN	X R	0038	88-118-102-080	C-RES,S 1K-1/10W J	a	b	c	d
MAIN	X R	0042	88-121-391-080	RES,390-1/8W J	a	b	c	d
MAIN	X R	0043	88-121-391-080	RES,390-1/8W J	a	b	c	d
MAIN	X R	0044	88-121-391-080	RES,390-1/8W J	a	b	c	d
MAIN	X R	0045	88-121-391-080	RES,390-1/8W J	a	b	c	d
MAIN	X R	0046	88-121-471-080	RES,470-1/8W J	a	b	c	d
MAIN	X R	0050	88-108-183-080	C-RES,U 18K-1/16W J	a	b	c	d
MAIN	X R	0051	88-108-102-080	C-RES,U 1K-1/16W J	a	b	c	d
MAIN	X R	0052	88-108-102-080	C-RES,U 1K-1/16W J	a	b	c	d
MAIN	X R	0053	88-108-473-080	C-RES,U 47K-1/16W J	a	b	c	d
MAIN	X R	0054	88-118-562-080	C-RES,S 5.6K-1/10W J	a	b	c	d
MAIN	X R	0055	88-121-152-080	RES,1.5K-1/8W J	a	b	c	d
MAIN	X R	0056	88-118-680-080	C-RES,S 68-1/10W J	a	b	c	d
MAIN	X R	0057	88-108-472-080	C-RES,U 4.7K-1/16W J	a	b	c	d
MAIN	X R	0058	88-118-103-080	C-RES,S 10K-1/10W J	a	b	c	d
MAIN	X R	0059	88-108-221-080	C-RES,U 220-1/16W J	a	b	c	d
MAIN	X R	0060	88-108-471-080	C-RES,U 470-1/16W J	a	b	c	d
MAIN	X R	0061	88-108-103-080	C-RES,U 10K-1/16W J	a	b	c	d
MAIN	X R	0062	88-108-223-080	C-RES,U 22K-1/16W J	a	b	c	d
MAIN	X R	0063	88-108-223-080	C-RES,U 22K-1/16W J	a	b	c	d
MAIN	X R	0064	88-108-822-080	C-RES,U 8.2K-1/16W J	a	b	c	d
MAIN	X R	0065	88-108-123-080	C-RES,U 12K-1/16W J	a	b	c	d
MAIN	X R	0066	88-108-104-080	C-RES,U 100K-1/16W J	a	b	c	d
MAIN	X R	0067	88-108-103-080	C-RES,U 10K-1/16W J	a	b	c	d
MAIN	X R	0068	88-128-152-080	C-RES, 1.5K-1/8W J	a	b	c	d
MAIN	X R	0069	88-128-152-080	C-RES, 1.5K-1/8W J	a	b	c	d
MAIN	X R	0076	88-108-103-080	C-RES,U 10K-1/16W J	a	b	c	d
MAIN	X R	0078	88-108-333-080	C-RES,U 33K-1/16W J	a	b	c	d
MAIN	X R	0079	88-108-682-080	C-RES,U 6.8K-1/16W J	a	b	c	d
MAIN	X R	0081	88-108-101-080	C-RES,U 100-1/16W J	a	b	c	d
MAIN	X R	0085	88-108-103-080	C-RES,U 10K-1/16W J	a	b	c	d
MAIN	X R	0093	88-108-563-080	C-RES,U 56K-1/16W J	a	b	c	d
MAIN	X R	0094	88-108-333-080	C-RES,U 33K-1/16W J	a	b	c	d
MAIN	X R	0095	88-108-682-080	C-RES,U 6.8K-1/16W J	a	b	c	d
MAIN	X R	0096	88-108-563-080	C-RES,U 56K-1/16W J	a	b	c	d
MAIN	X R	0103	88-108-393-080	C-RES,U 39K-1/16W J	a	b	c	d
MAIN	X R	0104	88-108-393-080	C-RES,U 39K-1/16W J	a	b	c	d
MAIN	X R	0105	88-108-273-080	C-RES,U 27K-1/16W J	a	b	c	d
MAIN	X R	0106	88-108-273-080	C-RES,U 27K-1/16W J	a	b	c	d
MAIN	X R	0107	88-108-101-080	C-RES,U 100-1/16W J	a	b	c	d
MAIN	X R	0108	88-108-101-080	C-RES,U 100-1/16W J	a	b	c	d
MAIN	X R	0111	88-118-122-080	C-RES,S 1.2K-1/10W J	a	b	c	d
MAIN	X R	0112	88-118-122-080	C-RES,S 1.2K-1/10W J	a	b	c	d
MAIN	X R	0113	88-118-273-080	C-RES,S 27K-1/10W J	a	b	c	d
MAIN	X R	0114	88-118-273-080	C-RES,S 27K-1/10W J	a	b	c	d

! = Δ SAFETY PARTS
 C = Components marked

All components used on this model at the production line are shown in this service manual.
 However, please note that not all components will be available as spare parts for after-sales service.
 Components marked S and O are designated as spare parts for service and will be stocked at the spare parts centers.
 Components marked X and R are not designated as spare parts for after sales service, and will not be stocked at the spare parts centers.

UNIT-NAME	! C	REF-NO	PARTS-NO	PARTS-NAME	SUFFIX&MODEL			
					CX-NR30	CX-NR30	CX-NR31	CX-NR37
					KSC	EZSC	EZSC	EZBC
MAIN	X R	0115	88-128-222-080	C-RES, 2.2K-1/8W J	a	b	c	d
MAIN	X R	0116	88-128-222-080	C-RES, 2.2K-1/8W J	a	b	c	d
MAIN	X R	0117	88-108-103-080	C-RES,U 10K-1/16W J	a	b	c	d
MAIN	X R	0118	88-108-103-080	C-RES,U 10K-1/16W J	a	b	c	d
MAIN	X R	0119	88-118-101-080	C-RES,S 100-1/10W J	a	b	c	d
MAIN	X R	0120	88-118-101-080	C-RES,S 100-1/10W J	a	b	c	d
MAIN	X R	0121	88-118-101-080	C-RES,S 100-1/10W J	a	b	c	d
MAIN	X R	0122	88-118-101-080	C-RES,S 100-1/10W J	a	b	c	d
MAIN	X R	0123	88-128-222-080	C-RES, 2.2K-1/8W J	a	b	c	d
MAIN	X R	0124	88-128-222-080	C-RES, 2.2K-1/8W J	a	b	c	d
MAIN	X R	0125	88-128-102-080	C-RES, 1K-1/8W J	a	b	c	d
MAIN	X R	0126	88-128-102-080	C-RES, 1K-1/8W J	a	b	c	d
MAIN	X R	0127	88-118-390-080	C-RES,S 39-1/10W J	a	b	c	d
MAIN	X R	0128	88-118-390-080	C-RES,S 39-1/10W J	a	b	c	d
MAIN	O R	0129	87-A00-258-080	RES,M/F 0.22-1W J	a	b	c	d
MAIN	O R	0130	87-A00-258-080	RES,M/F 0.22-1W J	a	b	c	d
MAIN	O R	0131	87-A00-258-080	RES,M/F 0.22-1W J	a	b	c	d
MAIN	O R	0132	87-A00-258-080	RES,M/F 0.22-1W J	a	b	c	d
MAIN	X R	0133	88-108-332-080	C-RES,U 3.3K-1/16W J	a	b	c	d
MAIN	X R	0134	88-108-332-080	C-RES,U 3.3K-1/16W J	a	b	c	d
					CX-NR30	CX-NR30	CX-NR31	CX-NR37
					KSC	EZSC	EZSC	EZBC
MAIN	X R	0135	88-108-152-080	C-RES,U 1.5K-1/16W J	a	b	c	d
MAIN	X R	0136	88-108-152-080	C-RES,U 1.5K-1/16W J	a	b	c	d
MAIN	X R	0137	88-108-101-080	C-RES,U 100-1/16W J	a	b	c	d
MAIN	X R	0138	88-108-101-080	C-RES,U 100-1/16W J	a	b	c	d
MAIN	X R	0141	88-118-102-080	C-RES,S 1K-1/10W J	a	b	c	d
MAIN	X R	0142	88-118-102-080	C-RES,S 1K-1/10W J	a	b	c	d
MAIN	X R	0143	88-108-392-080	C-RES,U 3.9K-1/16W J	a	b	c	d
MAIN	X R	0145	88-108-123-080	C-RES,U 12K-1/16W J	a	b	c	d
MAIN	X R	0146	88-108-123-080	C-RES,U 12K-1/16W J	a	b	c	d
MAIN	X R	0149	88-108-392-080	C-RES,U 3.9K-1/16W J	a	b	c	d
MAIN	X R	0151	88-108-473-080	C-RES,U 47K-1/16W J	a	b	c	d
MAIN	X R	0152	88-108-473-080	C-RES,U 47K-1/16W J	a	b	c	d
MAIN	X R	0153	88-128-272-080	C-RES, 2.7K-1/8W J	a	b	c	d
MAIN	X R	0155	88-108-682-080	C-RES,U 6.8K-1/16W J	a	b	c	d
MAIN	X R	0156	88-108-682-080	C-RES,U 6.8K-1/16W J	a	b	c	d
MAIN	X R	0157	88-108-472-080	C-RES,U 4.7K-1/16W J	a	b	c	d
MAIN	X R	0158	88-108-472-080	C-RES,U 4.7K-1/16W J	a	b	c	d
MAIN	X R	0159	88-108-103-080	C-RES,U 10K-1/16W J	a	b	c	d
MAIN	X R	0160	88-121-103-080	RES,10K-1/8W J	a	b	c	d
MAIN	X R	0161	88-108-472-080	C-RES,U 4.7K-1/16W J	a	b	c	d
					CX-NR30	CX-NR30	CX-NR31	CX-NR37
					KSC	EZSC	EZSC	EZBC
MAIN	X R	0162	88-108-472-080	C-RES,U 4.7K-1/16W J	a	b	c	d
MAIN	X R	0163	88-108-472-080	C-RES,U 4.7K-1/16W J	a	b	c	d
MAIN	X R	0164	88-108-472-080	C-RES,U 4.7K-1/16W J	a	b	c	d
MAIN	X R	0165	88-118-152-080	C-RES,S 1.5K-1/10W J	a	b	c	d
MAIN	X R	0166	88-118-152-080	C-RES,S 1.5K-1/10W J	a	b	c	d
MAIN	X R	0167	88-108-103-080	C-RES,U 10K-1/16W J	a	b	c	d
MAIN	X R	0168	88-118-473-080	C-RES,S 47K-1/10W J	a	b	c	d
MAIN	X R	0171	88-118-222-080	C-RES,S 2.2K-1/10W J	a	b	c	d
MAIN	X R	0172	88-118-222-080	C-RES,S 2.2K-1/10W J	a	b	c	d
MAIN	X R	0173	88-118-182-080	C-RES,S 1.8K-1/10W J	a	b	c	d
MAIN	X R	0174	88-118-182-080	C-RES,S 1.8K-1/10W J	a	b	c	d
MAIN	X R	0175	88-118-331-080	C-RES,S 330-1/10W J	a	b	c	d
MAIN	X R	0176	88-118-331-080	C-RES,S 330-1/10W J	a	b	c	d
MAIN	X R	0177	88-128-222-080	C-RES, 2.2K-1/8W J	a	b	c	d
MAIN	X R	0178	88-118-103-080	C-RES,S 10K-1/10W J	a	b	c	d
MAIN	X R	0179	88-108-102-080	C-RES,U 1K-1/16W J	a	b	c	d
MAIN	X R	0180	88-108-102-080	C-RES,U 1K-1/16W J	a	b	c	d
MAIN	X R	0181	88-108-222-080	C-RES,U 2.2K-1/16W J	a	b	c	d
MAIN	X R	0182	88-108-222-080	C-RES,U 2.2K-1/16W J	a	b	c	d
MAIN	X R	0184	88-118-102-080	C-RES,S 1K-1/10W J	a	b	c	d
					CX-NR30	CX-NR30	CX-NR31	CX-NR37
					KSC	EZSC	EZSC	EZBC
MAIN	X R	0185	88-108-152-080	C-RES,U 1.5K-1/16W J	a	b	c	d
MAIN	X R	0186	88-118-102-080	C-RES,S 1K-1/10W J	a	b	c	d
MAIN	X R	0187	88-118-472-080	C-RES,S 4.7K-1/10W J	a	b	c	d
MAIN	X R	0188	88-118-561-080	C-RES,S 560-1/10W J	a	b	c	d
MAIN	X R	0189	88-128-272-080	C-RES, 2.7K-1/8W J	a	b	c	d
MAIN	X R	0190	88-128-272-080	C-RES, 2.7K-1/8W J	a	b	c	d
MAIN	X R	0192	88-128-222-080	C-RES, 2.2K-1/8W J	a	b	c	d
MAIN	X R	0193	88-108-103-080	C-RES,U 10K-1/16W J	a	b	c	d
MAIN	X R	0194	88-108-103-080	C-RES,U 10K-1/16W J	a	b	c	d
MAIN	X R	0195	88-108-473-080	C-RES,U 47K-1/16W J	a	b	c	d
MAIN	X R	0196	88-108-473-080	C-RES,U 47K-1/16W J	a	b	c	d
MAIN	X R	0197	88-108-473-080	C-RES,U 47K-1/16W J	a	b	c	d
MAIN	X R	0198	88-108-473-080	C-RES,U 47K-1/16W J	a	b	c	d
MAIN	X R	0199	88-108-225-080	C-RES,U 2.2M-1/16W J	a	b	c	d
MAIN	X R	0217	88-108-683-080	C-RES,U 68K-1/16W J	a	b	c	d
MAIN	X R	0218	88-108-105-080	C-RES,U 1M-1/16W J	a	b	c	d
MAIN	X R	0219	88-108-000-080	C-JUMPER,U	a	b	c	d
MAIN	X R	0247	88-130-100-080	RES,10-1/4W J	a	b	c	d
MAIN	X R	0248	88-130-100-080	RES,10-1/4W J	a	b	c	d
MAIN	X R	0249	88-128-100-080	C-RES, 10-1/8W J	a	b	c	d

! = SAFETY PARTS
 C = Components marked

All components used on this model at the production line are shown in this service manual.
 However, please note that not all components will be available as spare parts for after-sales service.
 Components marked S and O are designated as spare parts for service and will be stocked at the spare parts centers.
 Components marked X and R are not designated as spare parts for after sales service, and will not be stocked at the spare parts centers.

UNIT-NAME	! C	REF-NO	PARTS-NO	PARTS-NAME	SUFFIX&MODEL			
					CX-NR30	CX-NR30	CX-NR31	CX-NR37
					KSC	EZSC	EZSC	EZBC
MAIN	X R	0250	88-128-100-080	C-RES, 10-1/8W J	a	b	c	d
MAIN	X R	0265	88-128-222-080	C-RES, 2.2K-1/8W J	a	b	c	d
MAIN	X R	0266	88-128-222-080	C-RES, 2.2K-1/8W J	a	b	c	d
MAIN	X R	0280	88-108-473-080	C-RES,U 47K-1/16W J	a	b	c	d
MAIN	X R	0281	88-108-222-080	C-RES,U 2.2K-1/16W J	a	b	c	d
MAIN	X R	0282	88-108-103-080	C-RES,U 10K-1/16W J	a	b	c	d
MAIN	X R	0283	88-108-224-080	C-RES,U 220K-1/16W J	a	b	c	d
MAIN	X R	0284	88-108-224-080	C-RES,U 220K-1/16W J	a	b	c	d
MAIN	X R	0285	88-108-223-080	C-RES,U 22K-1/16W J	a	b	c	d
MAIN	X R	0286	88-108-473-080	C-RES,U 47K-1/16W J	a	b	c	d
MAIN	X R	0287	88-108-473-080	C-RES,U 47K-1/16W J	a	b	c	d
MAIN	X R	0301	88-108-393-080	C-RES,U 39K-1/16W J	a	b	c	d
MAIN	X R	0302	88-108-393-080	C-RES,U 39K-1/16W J	a	b	c	d
MAIN	X R	0303	88-108-823-080	C-RES,U 82K-1/16W J	a	b	c	d
MAIN	X R	0304	88-108-823-080	C-RES,U 82K-1/16W J	a	b	c	d
MAIN	X R	0305	88-108-224-080	C-RES,U 220K-1/16W J	a	b	c	d
MAIN	X R	0451	88-108-222-080	C-RES,U 2.2K-1/16W J	a	b	c	d
MAIN	X R	0453	88-108-472-080	C-RES,U 4.7K-1/16W J	a	b	c	d
MAIN	X R	0454	88-121-829-080	RES,8.2-1/8W J	a	b	c	d
MAIN	X R	0455	88-108-183-080	C-RES,U 18K-1/16W J	a	b	c	d
					CX-NR30	CX-NR30	CX-NR31	CX-NR37
					KSC	EZSC	EZSC	EZBC
MAIN	X R	0456	88-108-183-080	C-RES,U 18K-1/16W J	a	b	c	d
MAIN	X R	0457	88-108-104-080	C-RES,U 100K-1/16W J	a	b	c	d
MAIN	X R	0458	88-108-563-080	C-RES,U 56K-1/16W J	a	b	c	d
MAIN	X R	0459	88-108-472-080	C-RES,U 4.7K-1/16W J	a	b	c	d
MAIN	X R	0461	88-108-472-080	C-RES,U 4.7K-1/16W J	a	b	c	d
MAIN	X R	0462	88-108-471-080	C-RES,U 470-1/16W J	a	b	c	d
MAIN	X R	0467	88-108-472-080	C-RES,U 4.7K-1/16W J	a	b	c	d
MAIN	X R	0468	88-108-272-080	C-RES,U 2.7K-1/16W J	a	b	c	d
MAIN	X R	0469	88-108-150-080	C-RES,U 15-1/16W J	a	b	c	d
MAIN	X R	0601	88-108-680-080	C-RES,U 68-1/16W J	a	b	c	d
MAIN	X R	0602	88-108-680-080	C-RES,U 68-1/16W J	a	b	c	d
MAIN	X R	0603	88-108-394-080	C-RES,U 390K-1/16W J	a	b	c	d
MAIN	X R	0604	88-108-394-080	C-RES,U 390K-1/16W J	a	b	c	d
MAIN	X R	0605	88-108-122-080	C-RES,U 1.2K-1/16W J	a	b	c	d
MAIN	X R	0606	88-108-122-080	C-RES,U 1.2K-1/16W J	a	b	c	d
MAIN	X R	0607	88-108-183-080	C-RES,U 18K-1/16W J	a	b	c	d
MAIN	X R	0608	88-108-183-080	C-RES,U 18K-1/16W J	a	b	c	d
MAIN	X R	0609	88-108-472-080	C-RES,U 4.7K-1/16W J	a	b	c	d
MAIN	X R	0610	88-108-472-080	C-RES,U 4.7K-1/16W J	a	b	c	d
MAIN	X R	0611	88-108-223-080	C-RES,U 22K-1/16W J	a	b	c	d
					CX-NR30	CX-NR30	CX-NR31	CX-NR37
					KSC	EZSC	EZSC	EZBC
MAIN	X R	0612	88-108-223-080	C-RES,U 22K-1/16W J	a	b	c	d
MAIN	X R	0613	88-108-273-080	C-RES,U 27K-1/16W J	a	b	c	d
MAIN	X R	0614	88-108-273-080	C-RES,U 27K-1/16W J	a	b	c	d
MAIN	X R	0615	88-108-153-080	C-RES,U 15K-1/16W J	a	b	c	d
MAIN	X R	0616	88-108-153-080	C-RES,U 15K-1/16W J	a	b	c	d
MAIN	X R	0617	88-108-153-080	C-RES,U 15K-1/16W J	a	b	c	d
MAIN	X R	0619	88-108-153-080	C-RES,U 15K-1/16W J	a	b	c	d
MAIN	X R	0621	88-108-332-080	C-RES,U 3.3K-1/16W J	a	b	c	d
MAIN	X R	0622	88-108-332-080	C-RES,U 3.3K-1/16W J	a	b	c	d
MAIN	X R	0623	88-108-332-080	C-RES,U 3.3K-1/16W J	a	b	c	d
MAIN	X R	0624	88-108-332-080	C-RES,U 3.3K-1/16W J	a	b	c	d
MAIN	X R	0625	88-108-103-080	C-RES,U 10K-1/16W J	a	b	c	d
MAIN	X R	0626	88-108-103-080	C-RES,U 10K-1/16W J	a	b	c	d
MAIN	X R	0627	88-108-222-080	C-RES,U 2.2K-1/16W J	a	b	c	d
MAIN	X R	0628	88-108-222-080	C-RES,U 2.2K-1/16W J	a	b	c	d
MAIN	X R	0629	88-108-103-080	C-RES,U 10K-1/16W J	a	b	c	d
MAIN	X R	0630	88-108-103-080	C-RES,U 10K-1/16W J	a	b	c	d
MAIN	X R	0631	88-108-222-080	C-RES,U 2.2K-1/16W J	a	b	c	d
MAIN	X R	0632	88-108-222-080	C-RES,U 2.2K-1/16W J	a	b	c	d
MAIN	X R	0633	88-108-272-080	C-RES,U 2.7K-1/16W J	a	b	c	d
					CX-NR30	CX-NR30	CX-NR31	CX-NR37
					KSC	EZSC	EZSC	EZBC
MAIN	X R	0634	88-108-272-080	C-RES,U 2.7K-1/16W J	a	b	c	d
MAIN	X R	0635	88-108-102-080	C-RES,U 1K-1/16W J	a	b	c	d
MAIN	X R	0636	88-108-102-080	C-RES,U 1K-1/16W J	a	b	c	d
MAIN	X R	0637	88-108-102-080	C-RES,U 1K-1/16W J	a	b	c	d
MAIN	X R	0638	88-108-102-080	C-RES,U 1K-1/16W J	a	b	c	d
MAIN	X R	0639	88-108-183-080	C-RES,U 18K-1/16W J	a	b	c	d
MAIN	X R	0640	88-108-183-080	C-RES,U 18K-1/16W J	a	b	c	d
MAIN	X R	0641	88-121-223-080	RES,22K-1/8W J	a	b	c	d
MAIN	X R	0642	88-108-222-080	C-RES,U 2.2K-1/16W J	a	b	c	d
MAIN	X R	0643	88-108-104-080	C-RES,U 100K-1/16W J	a	b	c	d
MAIN	X R	0644	88-108-104-080	C-RES,U 100K-1/16W J	a	b	c	d
MAIN	X R	0649	88-108-332-080	C-RES,U 3.3K-1/16W J	a	b	c	d
MAIN	X R	0650	88-108-332-080	C-RES,U 3.3K-1/16W J	a	b	c	d
MAIN	X R	0651	88-108-101-080	C-RES,U 100-1/16W J	a	b	c	d
MAIN	X R	0652	88-108-101-080	C-RES,U 100-1/16W J	a	b	c	d
MAIN	X R	0656	88-121-394-080	RES,390K-1/8W J	a	b	c	d
MAIN	X R	0657	88-108-274-080	C-RES,U 270K-1/16W J	a	b	c	d
MAIN	X R	0658	88-108-274-080	C-RES,U 270K-1/16W J	a	b	c	d
MAIN	X R	0659	88-108-394-080	C-RES,U 390K-1/16W J	a	b	c	d
MAIN	X R	0660	88-108-274-080	C-RES,U 270K-1/16W J	a	b	c	d

! = SAFETY PARTS
 C = Components marked

All components used on this model at the production line are shown in this service manual.
 However, please note that not all components will be available as spare parts for after-sales service.
 Components marked S and O are designated as spare parts for service and will be stocked at the spare parts centers.
 Components marked X and R are not designated as spare parts for after sales service, and will not be stocked at the spare parts centers.

UNIT-NAME	! C	REF-NO	PARTS-NO	PARTS-NAME	SUFFIX&MODEL			
					CX-NR30	CX-NR30	CX-NR31	CX-NR37
					KSC	EZSC	EZSC	EZBC
MAIN	X R	0661	88-108-392-080	C-RES,U 3.9K-1/16W J	a	b	c	d
MAIN	X R	0662	88-108-392-080	C-RES,U 3.9K-1/16W J	a	b	c	d
MAIN	X R	0672	88-108-223-080	C-RES,U 22K-1/16W J	a	b	c	d
MAIN	X R	0673	88-108-392-080	C-RES,U 3.9K-1/16W J	a	b	c	d
MAIN	X R	0674	88-108-273-080	C-RES,U 27K-1/16W J	a	b	c	d
MAIN	X R	0677	88-108-223-080	C-RES,U 22K-1/16W J	a	b	c	d
MAIN	X R	0678	88-108-223-080	C-RES,U 22K-1/16W J	a	b	c	d
MAIN	X R	0789	88-108-273-080	C-RES,U 27K-1/16W J	a	b	c	d
MAIN	O R	0790	87-012-286-080	C-CAP,U 0.01-25 K B	a	b	c	d
MAIN	X R	0791	88-108-102-080	C-RES,U 1K-1/16W J	a	b	c	d
MAIN	X R	0793	88-108-221-080	C-RES,U 220-1/16W J	a	b	c	d
MAIN	X R	0795	88-108-000-080	C-JUMPER,U	a	b	c	d
MAIN	X R	0801	88-108-103-080	C-RES,U 10K-1/16W J	a	b	c	d
MAIN	X R	0802	88-108-223-080	C-RES,U 22K-1/16W J	a	b	c	d
MAIN	X R	0803	88-128-183-080	C-RES, 18K-1/8W J	a	b	c	d
MAIN	X R	0804	88-108-000-080	C-JUMPER,U	a	b	c	d
MAIN	X R	0805	88-108-332-080	C-RES,U 3.3K-1/16W J	a	b	c	d
MAIN	X R	0806	88-108-682-080	C-RES,U 6.8K-1/16W J	a	b	c	d
MAIN	X R	0809	88-108-102-080	C-RES,U 1K-1/16W J	a	b	c	d
MAIN	X R	0810	88-108-102-080	C-RES,U 1K-1/16W J	a	b	c	d
					CX-NR30	CX-NR30	CX-NR31	CX-NR37
					KSC	EZSC	EZSC	EZBC
MAIN	X R	0811	88-108-000-080	C-JUMPER,U	a	b	c	d
MAIN	X R	0812	88-108-000-080	C-JUMPER,U	a	b	c	d
MAIN	X R	0813	88-108-224-080	C-RES,U 220K-1/16W J	a	b	c	d
MAIN	X R	0814	88-108-222-080	C-RES,U 2.2K-1/16W J	a	b	c	d
MAIN	X R	0815	88-121-682-080	RES,6.8K-1/8W J	a	b	c	d
MAIN	X R	0818	88-108-103-080	C-RES,U 10K-1/16W J	a	b	c	d
MAIN	X R	0821	88-108-000-080	C-JUMPER,U	a	b	c	d
MAIN	X R	0823	88-108-473-080	C-RES,U 47K-1/16W J	a	b	c	d
MAIN	X R	0826	88-108-223-080	C-RES,U 22K-1/16W J	a	b	c	d
MAIN	X R	0832	88-108-391-080	C-RES,U 390-1/16W J	a	b	c	d
MAIN	X R	0840	88-108-221-080	C-RES,U 220-1/16W J	a	b	c	d
MAIN	X R	0850	88-108-103-080	C-RES,U 10K-1/16W J	a	b	c	d
MAIN	X R	0851	88-118-470-080	C-RES,S 47-1/10W J	a	b	c	d
MAIN	X R	0853	88-108-102-080	C-RES,U 1K-1/16W J	a	b	c	d
MAIN	X R	0854	88-108-331-080	C-RES,U 330-1/16W J	a	b	c	d
MAIN	X R	0855	88-108-183-080	C-RES,U 18K-1/16W J	a	b	c	d
MAIN	X R	0856	88-108-103-080	C-RES,U 10K-1/16W J	a	b	c	d
MAIN	X R	0857	88-108-181-080	C-RES,U 180-1/16W J	a	b	c	d
MAIN	X R	0858	88-108-271-080	C-RES,U 270-1/16W J	a	b	c	d
MAIN	X R	0860	88-108-101-080	C-RES,U 100-1/16W J	a	b	c	d
					CX-NR30	CX-NR30	CX-NR31	CX-NR37
					KSC	EZSC	EZSC	EZBC
MAIN	X R	0861	88-108-471-080	C-RES,U 470-1/16W J	.	.	c	.
MAIN	X R	0862	88-108-272-080	C-RES,U 2.7K-1/16W J	.	.	c	.
MAIN	X R	0863	88-108-104-080	C-RES,U 100K-1/16W J	.	.	c	.
MAIN	X R	0864	88-108-123-080	C-RES,U 12K-1/16W J	.	.	c	.
MAIN	X R	0865	88-108-471-080	C-RES,U 470-1/16W J	.	.	c	.
MAIN	X R	0867	88-108-104-080	C-RES,U 100K-1/16W J	.	.	c	.
MAIN	X R	0870	88-121-102-080	RES,1K-1/8W J	.	.	c	.
MAIN	X R	0871	88-121-102-080	RES,1K-1/8W J	.	.	c	.
MAIN	X R	0901	88-108-104-080	C-RES,U 100K-1/16W J	a	b	c	d
MAIN	X R	0902	88-108-104-080	C-RES,U 100K-1/16W J	a	b	c	d
MAIN	X R	0903	88-108-330-080	C-RES,U 33-1/16W J	a	b	c	d
MAIN	X R	0904	88-108-103-080	C-RES,U 10K-1/16W J	a	b	c	d
MAIN	X R	0905	88-108-102-080	C-RES,U 1K-1/16W J	a	b	c	d
MAIN	X R	0906	88-108-564-080	C-RES,U 560K-1/16W J	a	b	c	d
MAIN	X R	0908	88-108-271-080	C-RES,U 270-1/16W J	a	b	c	d
MAIN	X R	0909	88-108-181-080	C-RES,U 180-1/16W J	a	b	c	d
MAIN	X R	0910	88-108-334-080	C-RES,U 330K-1/16W J	a	b	c	d
MAIN	X R	0911	88-108-181-080	C-RES,U 180-1/16W J	a	b	c	d
MAIN	X R	0912	88-108-104-080	C-RES,U 100K-1/16W J	a	b	c	d
MAIN	X R	0913	88-108-152-080	C-RES,U 1.5K-1/16W J	a	b	c	d
					CX-NR30	CX-NR30	CX-NR31	CX-NR37
					KSC	EZSC	EZSC	EZBC
MAIN	X R	0914	88-108-472-080	C-RES,U 4.7K-1/16W J	a	b	c	d
MAIN	X R	0915	88-108-104-080	C-RES,U 100K-1/16W J	a	b	c	d
MAIN	X R	0916	88-108-470-080	C-RES,U 47-1/16W J	a	b	c	d
MAIN	X R	0926	88-108-101-080	C-RES,U 100-1/16W J	a	b	c	d
MAIN	X R	0944	88-108-101-080	C-RES,U 100-1/16W J	a	b	c	d
MAIN	X R	0945	88-108-104-080	C-RES,U 100K-1/16W J	a	b	c	d
MAIN	X R	0947	88-108-183-080	C-RES,U 18K-1/16W J	a	b	c	d
MAIN	X R	0948	88-108-472-080	C-RES,U 4.7K-1/16W J	a	b	c	d
MAIN	X R	0952	88-108-562-080	C-RES,U 5.6K-1/16W J	a	b	c	d
MAIN	X R	0954	88-108-222-080	C-RES,U 2.2K-1/16W J	a	b	c	d
MAIN	X R	0956	88-108-471-080	C-RES,U 470-1/16W J	a	b	c	d
MAIN	X R	0958	88-108-472-080	C-RES,U 4.7K-1/16W J	a	b	c	d
MAIN	X R	0959	88-108-103-080	C-RES,U 10K-1/16W J	a	b	c	d
MAIN	X R	0962	88-121-102-080	RES,1K-1/8W J	a	b	c	d
MAIN	X R	0964	88-108-330-080	C-RES,U 33-1/16W J	a	b	c	d
MAIN	X R	0968	88-108-822-080	C-RES,U 8.2K-1/16W J	a	b	c	d
MAIN	X R	0969	88-108-102-080	C-RES,U 1K-1/16W J	a	b	c	d
MAIN	X R	0973	88-108-102-080	C-RES,U 1K-1/16W J	a	b	c	d
MAIN	X R	0975	88-108-562-080	C-RES,U 5.6K-1/16W J	a	b	c	d
MAIN	X R	0976	88-108-102-080	C-RES,U 1K-1/16W J	a	b	c	d

! = SAFETY PARTS
 C = Components marked

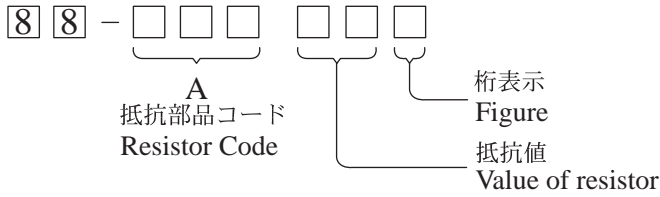
All components used on this model at the production line are shown in this service manual.
 However, please note that not all components will be available as spare parts for after-sales service.
 Components marked S and O are designated as spare parts for service and will be stocked at the spare parts centers.
 Components marked X and R are not designated as spare parts for after sales service, and will not be stocked at the spare parts centers.

UNIT-NAME	! C	REF-NO	PARTS-NO	PARTS-NAME	SUFFIX&MODEL			
					CX-NR30	CX-NR30	CX-NR31	CX-NR37
					KSC	EZSC	EZSC	EZBC
MAIN	X R	0977	88-108-102-080	C-RES,U 1K-1/16W J	a	b	c	d
MAIN	X R	0978	88-108-681-080	C-RES,U 680-1/16W J	a	b	c	d
MAIN	X R	0979	88-108-123-080	C-RES,U 12K-1/16W J	a	b	c	d
MAIN	X R	0980	88-108-684-080	C-RES,U 680K-1/16W J	a	b	c	d
MAIN	X R	0981	88-121-471-080	RES,470-1/8W J	a	b	c	d
MAIN	X R	0982	88-108-682-080	C-RES,U 6.8K-1/16W J	a	b	c	d
MAIN	X R	0983	88-108-392-080	C-RES,U 3.9K-1/16W J	a	b	c	d
MAIN	X R	0984	88-108-562-080	C-RES,U 5.6K-1/16W J	a	b	c	d
MAIN	X R	0985	88-121-471-080	RES,470-1/8W J	a	b	c	d
MAIN	X R	0986	88-121-221-080	RES,220-1/8W J	a	b	c	d
MAIN	X R	0987	88-121-472-080	RES,4.7K-1/8W J	a	b	c	d
MAIN	X R	0988	88-108-103-080	C-RES,U 10K-1/16W J	a	b	c	d
MAIN	X R	0989	88-121-102-080	RES,1K-1/8W J	a	b	c	d
MAIN	X R	0990	88-108-563-080	C-RES,U 56K-1/16W J	a	b	c	d
MAIN	O R	0991	87-012-195-080	C-CAP,U 100P-50 J CH	a	b	c	d
MAIN	X R	0992	88-108-103-080	C-RES,U 10K-1/16W J	a	b	c	d
MAIN	O R	0993	87-012-195-080	C-CAP,U 100P-50 J CH	a	b	c	d
MAIN	X R	0994	88-108-103-080	C-RES,U 10K-1/16W J	a	b	c	d
MAIN	O R	0995	87-012-195-080	C-CAP,U 100P-50 J CH	a	b	c	d
MAIN	X R	0996	88-108-103-080	C-RES,U 10K-1/16W J	a	b	c	d
					CX-NR30	CX-NR30	CX-NR31	CX-NR37
					KSC	EZSC	EZSC	EZBC
MAIN	X R	0997	88-108-154-080	C-RES,U 150K-1/16W J	a	b	c	d
MAIN	X R	0998	88-108-102-080	C-RES,U 1K-1/16W J	a	b	c	d
MAIN	X R	0999	88-108-103-080	C-RES,U 10K-1/16W J	a	b	c	d
MAIN	O SFR0451	87-024-435-080	SFR,33K H RH063MC	a	b	c	d	
MAIN	O SFR0452	87-024-435-080	SFR,33K H RH063MC	a	b	c	d	
MAIN	X SH 0901	8C-NF9-619-010	SHLD-CASE,CNF-9 EZ P	a	b	c	d	
MAIN	O TC 0942	87-A91-774-080	TRIMMER,PLY 30P 6.8X5.4 CDYL	a	b	c	d	
MAIN	O TH 0101	87-A91-042-080	C-THMS,100K 55001	a	b	c	d	
MAIN	O TH 0102	87-A91-042-080	C-THMS,100K 55001	a	b	c	d	
MAIN	O W 0099	8A-NF9-609-010	F-CABLE,9P 2.5 480MM	a	b	c	d	
MAIN	O W 0101	8B-NF1-640-010	F-CABLE,5P 2.5 250MM	a	b	c	d	
MAIN	O WH 0001	87-A90-510-010	HLDL,WIRE 2.5-9P	a	b	c	d	
MAIN	O WH 0101	87-A90-459-010	HLDL,WIRE 2.5-5P	a	b	c	d	
MAIN	O X 0862	87-A70-307-010	VIB,XTAL 4.332MHZ CSA-309ST	.	.	c	.	
MAIN	O X 0992	87-A70-306-010	VIB,XTAL 4.500MHZ CSA-309ST	a	b	c	d	
PT	O C 0091	87-012-368-080	C-CAP,S 0.1-50 Z F	a	b	c	d	
PT	S D 0091	87-A40-269-080	C-DIODE,MC2836	a	b	c	d	
PT	S D 0092	87-A40-270-080	C-DIODE,MC2838	a	b	c	d	
PT	! X PR 0003	88-100-000-010	PLATING-JW, 0.58 SN95	a	b	c	d	
PT	! O PT 0001	8C-NF8-605-010	PT,CNF-8 EZ-40W	a	b	c	d	
					CX-NR30	CX-NR30	CX-NR31	CX-NR37
					KSC	EZSC	EZSC	EZBC
PT	! O PT 0002	8B-MA6-675-010	PT,SUB BMA E (VRK)	a	b	c	d	
PT	! O RY 0001	87-A91-418-010	RELAY,AC12V G5PA-1-M	a	b	c	d	
PT	! O T 0001	87-A60-317-010	TERMINAL, 1P MSC	a	b	c	d	
PT	! O T 0002	87-A60-317-010	TERMINAL, 1P MSC	a	b	c	d	
PT	O WH 0002	87-A90-510-010	HLDL,WIRE 2.5-9P	a	b	c	d	

○チップ抵抗部品コード／CHIP RESISTOR PART CODE

チップ抵抗部品コードの成り立ち

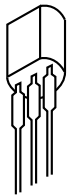
Chip Resistor Part Coding



チップ抵抗
Chip resistor

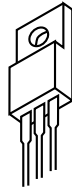
容量 Wattage	種類 Type	許容誤差 Tolerance	記号 Symbol	寸法/Dimensions (mm)			抵抗コード : A Resistor Code : A	
				外形/Form	L	W		t
1/16W	1005	± 5%	CJ		1.0	0.5	0.35	104
1/16W	1608	± 5%	CJ		1.6	0.8	0.45	108
1/10W	2125	± 5%	CJ		2	1.25	0.45	118
1/8W	3216	± 5%	CJ		3.2	1.6	0.55	128

TRANSISTOR ILLUSTRATION



E C B

2SA1980G
2SC5343GL
2N5551C



B C E

2SB1548
2SB1677
2SD2619



E C B

2SA1585SR



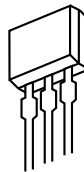
E C B

2SC3331(T/U)



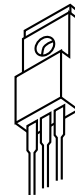
E C B

2SA1981Y



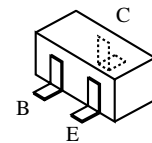
S D G

2SK2541
2SJ460



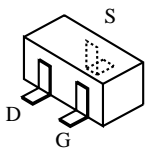
G D S

2SK2232

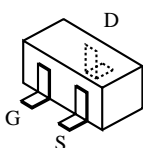


SRA2202S
SRA2207S
2SA1235F
2SB792A(RS)
2SC2620B

2SC3052F
2SC3906KR
2SC5345SF/S(O)
2SD1306E
2SD1306NE07TL
2SD814A(RS)

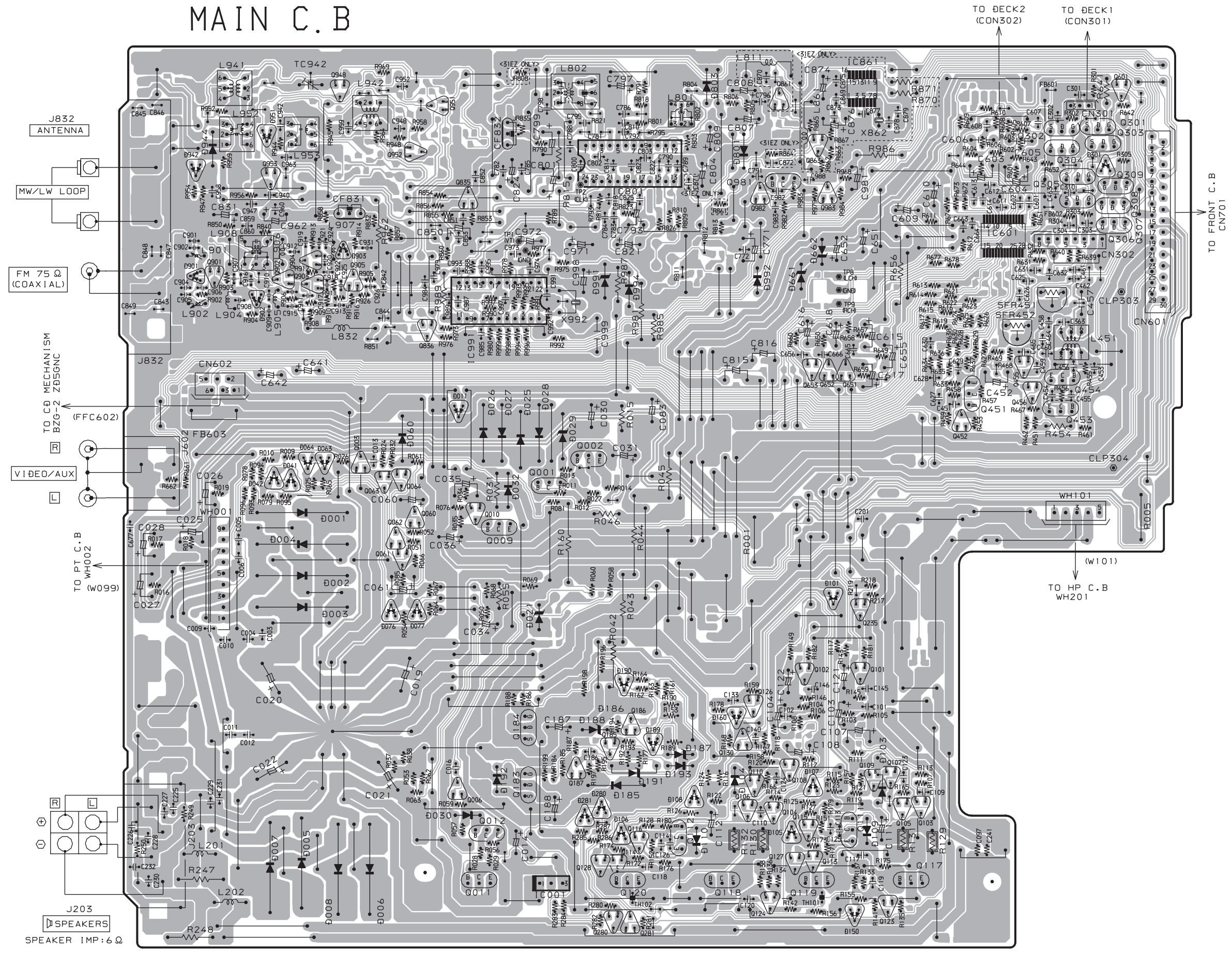


2SK360E



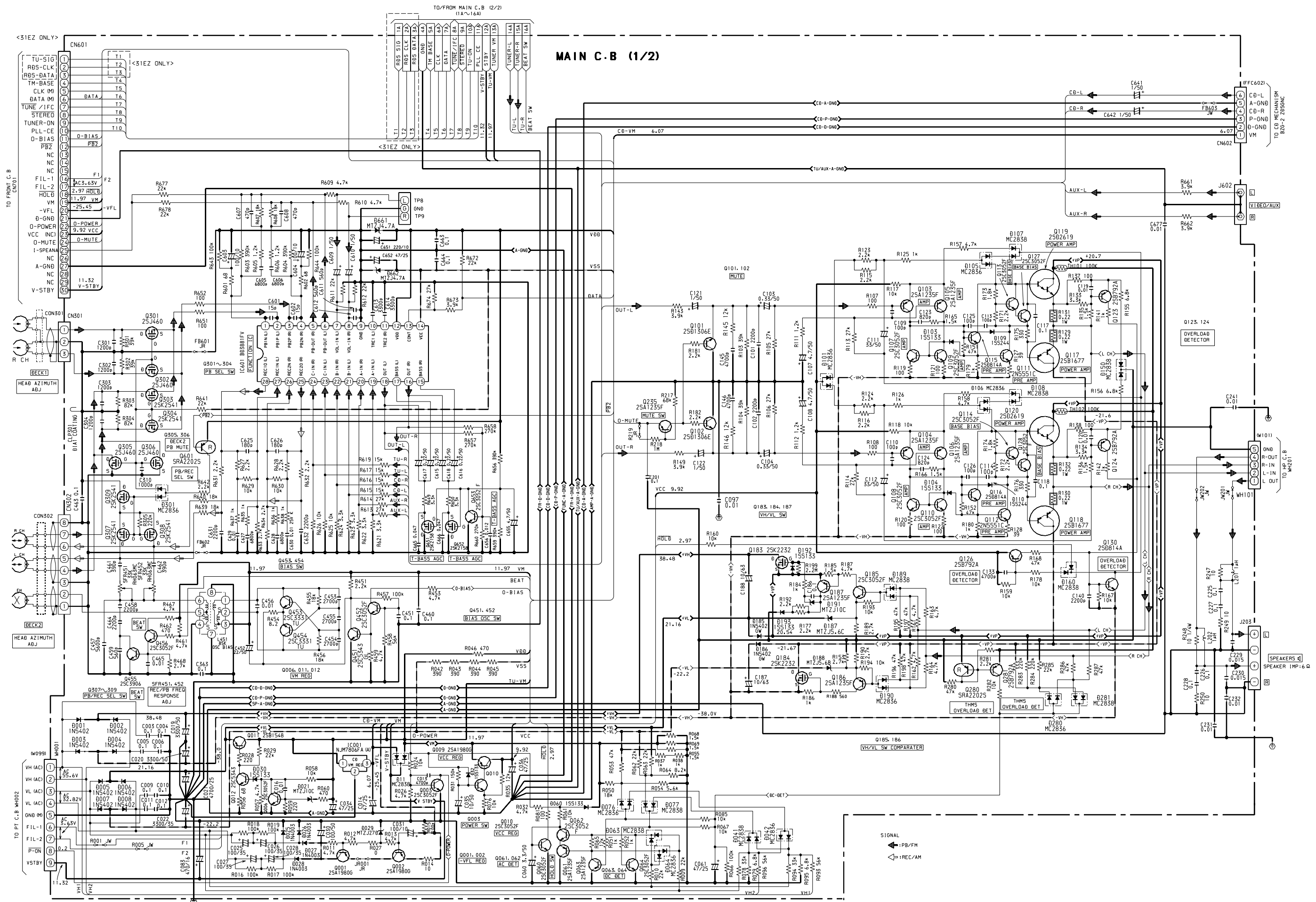
2SK2158

MAIN C.B



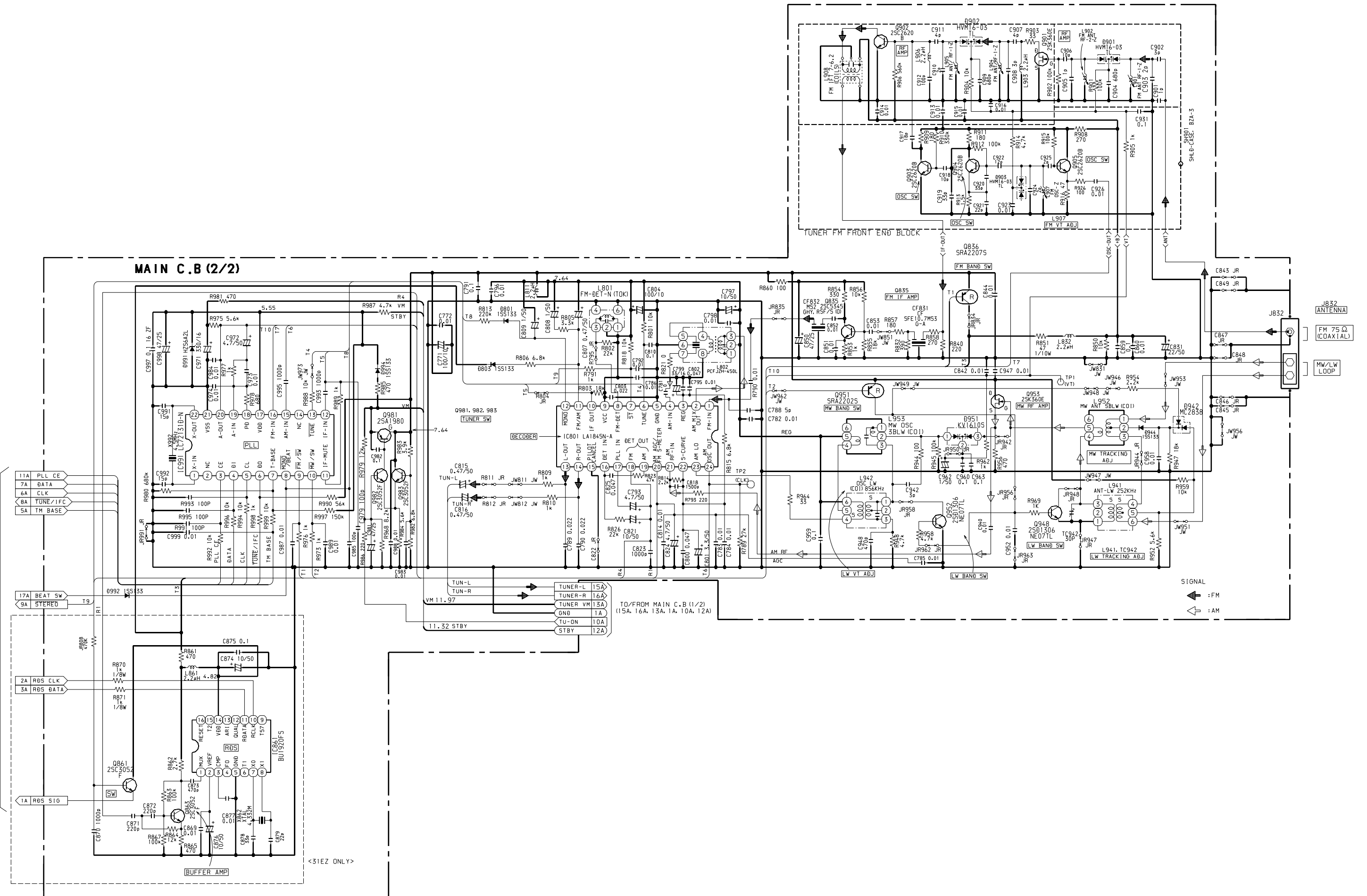
A
B
C
D
E
F
G
H
I
J
K
L
M
N
O
P
Q
R
S
T
U

SCHEMATIC DIAGRAM - 1 (MAIN 1/2)



SCHEMATIC DIAGRAM - 2 (MAIN 2 / 2)

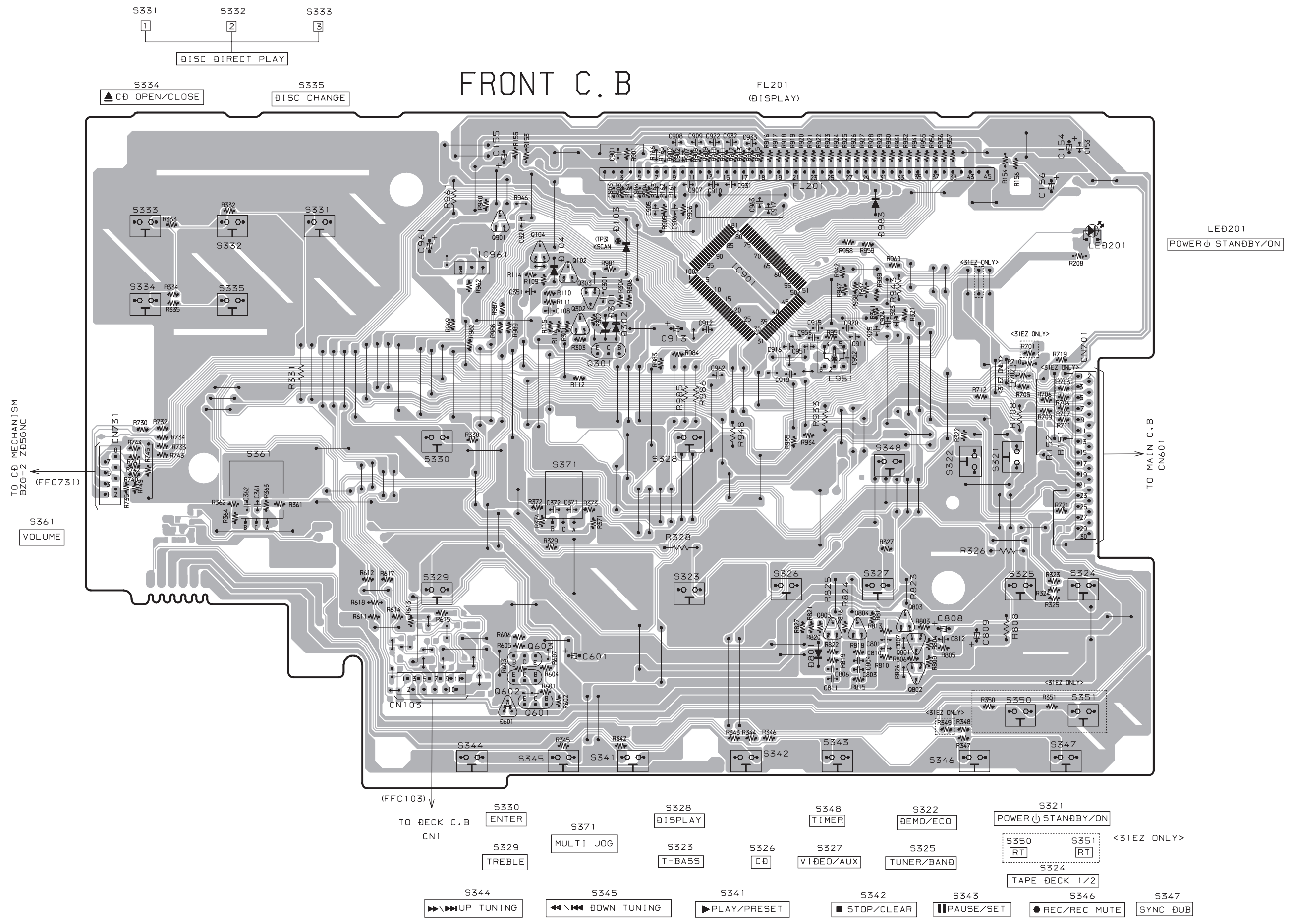
TO/FROM MAIN C.B (1/2)
(11A, 7A, 6A, 5A, 17A, 9A, 2A, 3A, 1A)



WIRING - 2 (FRONT)

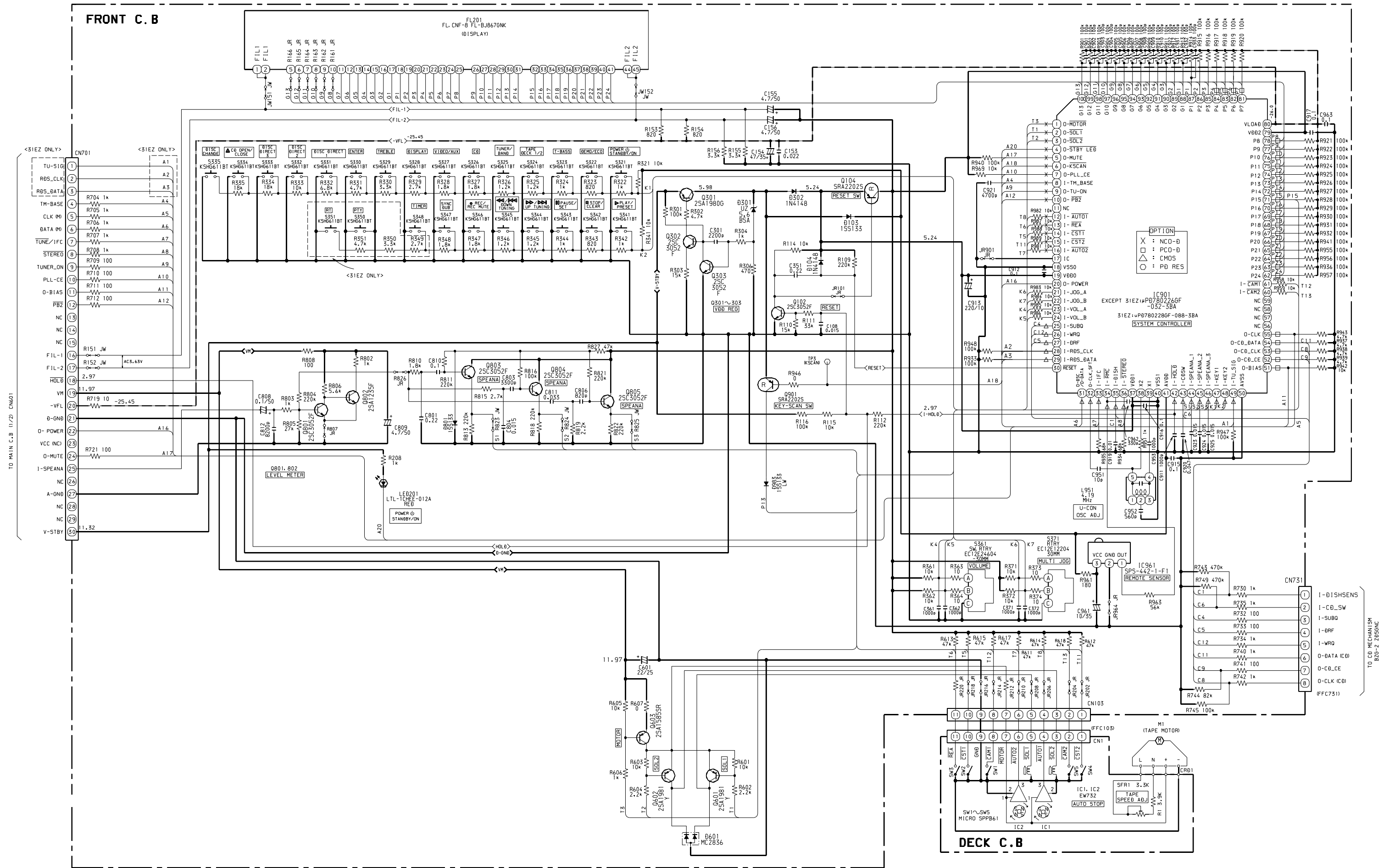
32 31 30 29 28 27 26 25 24 23 22 21 20 19 18 17 16 15 14 13 12 11 10 9 8 7 6 5 4 3 2 1

A
B
C
D
E
F
G
H
I
J
K
L
M
N
O
P
Q
R
S
T
U

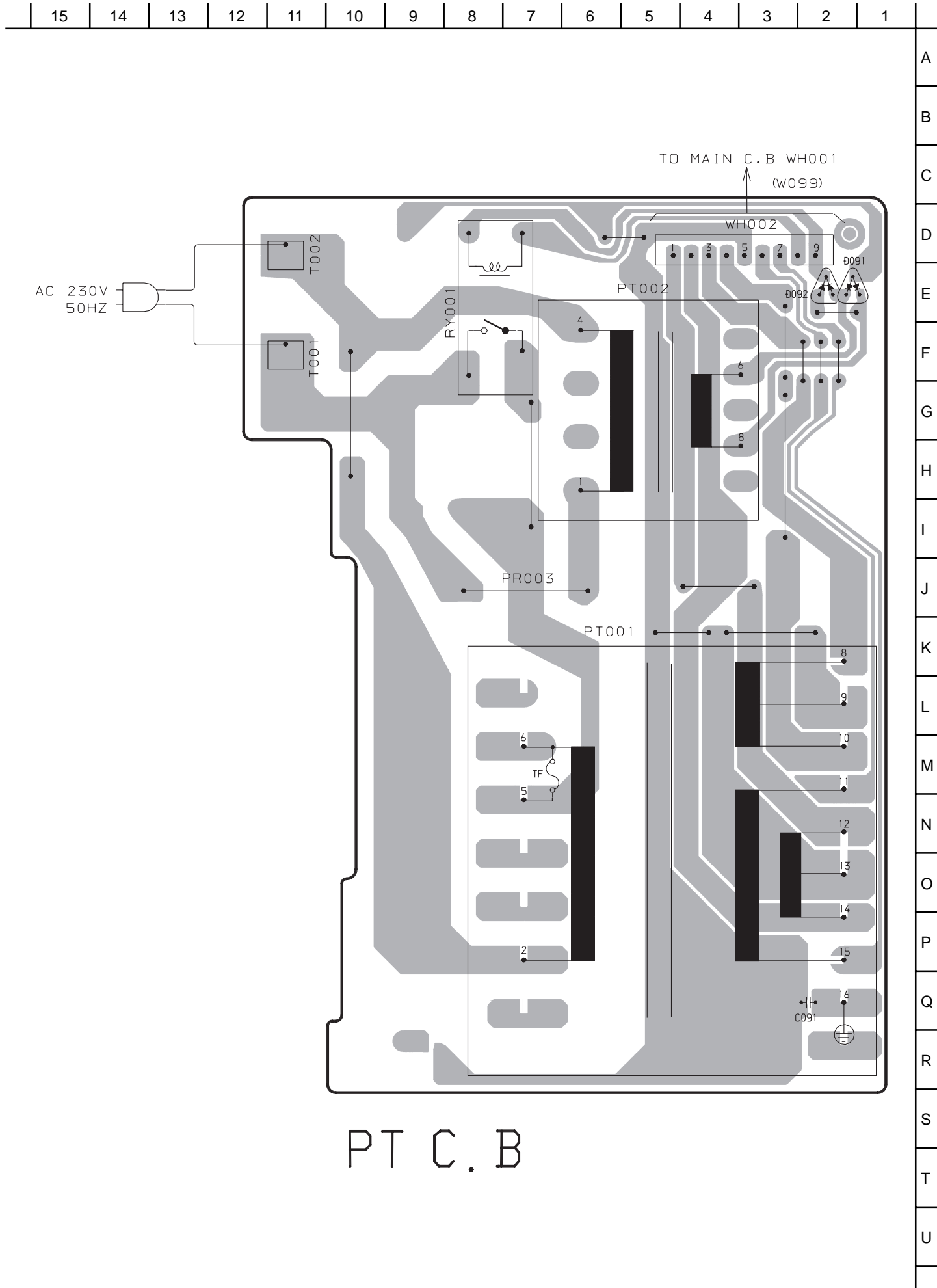


- TO DECK C.B
CN1
- S330
ENTER
- S328
DISPLAY
- S348
TIMER
- S322
DEMO/ECO
- S321
POWER \downarrow STANDBY/ON
- S329
TREBLE
- S371
MULTI JOG
- S323
T-BASS
- S326
CD
- S327
VIDEO/AUX
- S325
TUNER/BAND
- S350
RT
- S351
RT
- S324
TAPE DECK 1/2
- S344
 $\blacktriangleright\blacktriangleright$ UP TUNING
- S345
 $\blacktriangleleft\blacktriangleleft$ DOWN TUNING
- S341
 \blacktriangleright PLAY/PRESET
- S342
 \blacksquare STOP/CLEAR
- S343
 \parallel PAUSE/SET
- S346
 \bullet REC/REC MUTE
- S347
SYNC DUB

SCHEMATIC DIAGRAM - 3 (FRONT / DECK)

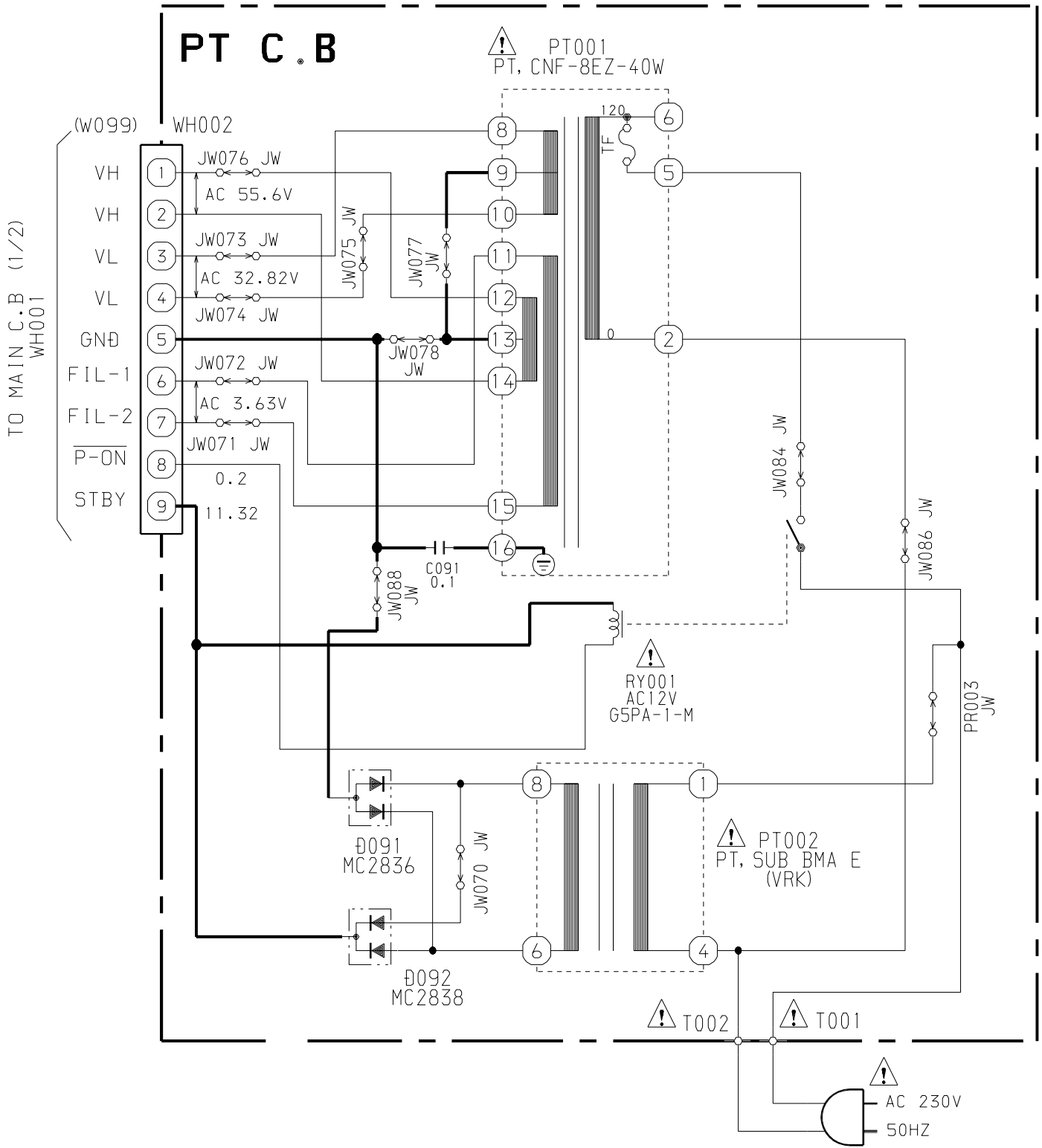


WIRING - 3 (PT)

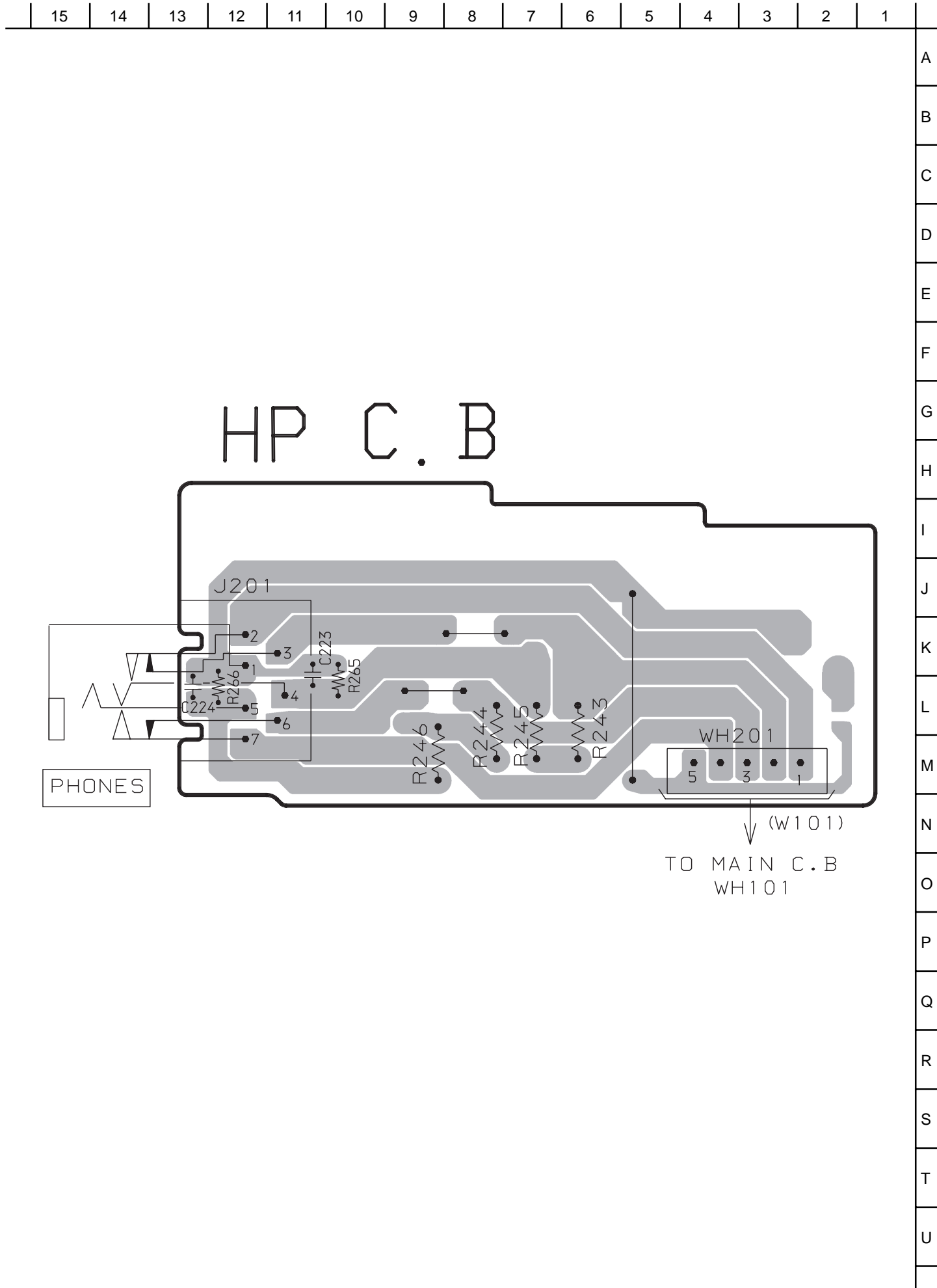


PT C.B

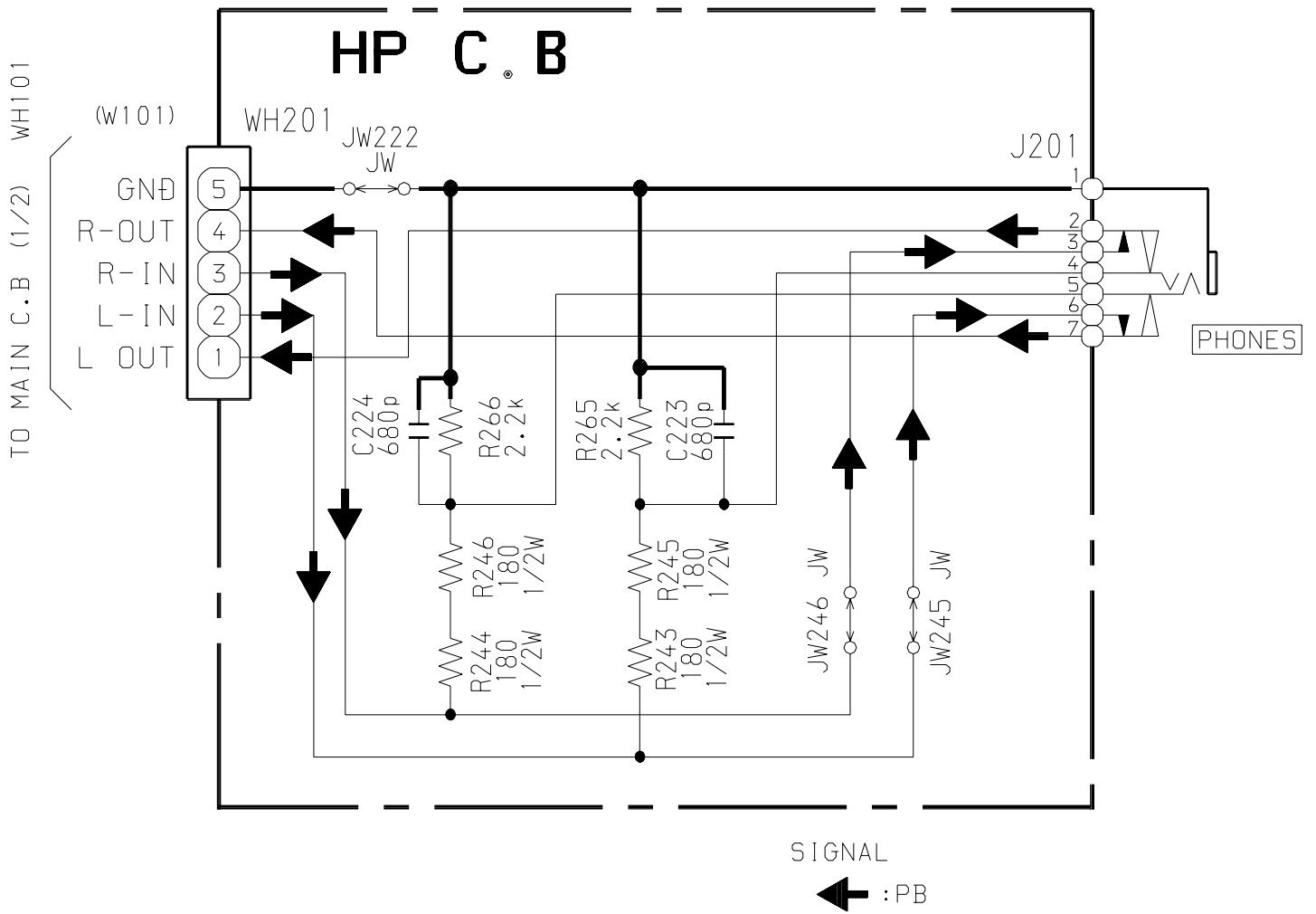
SCHEMATIC DIAGRAM – 4 (PT)



WIRING - 4 (HP)

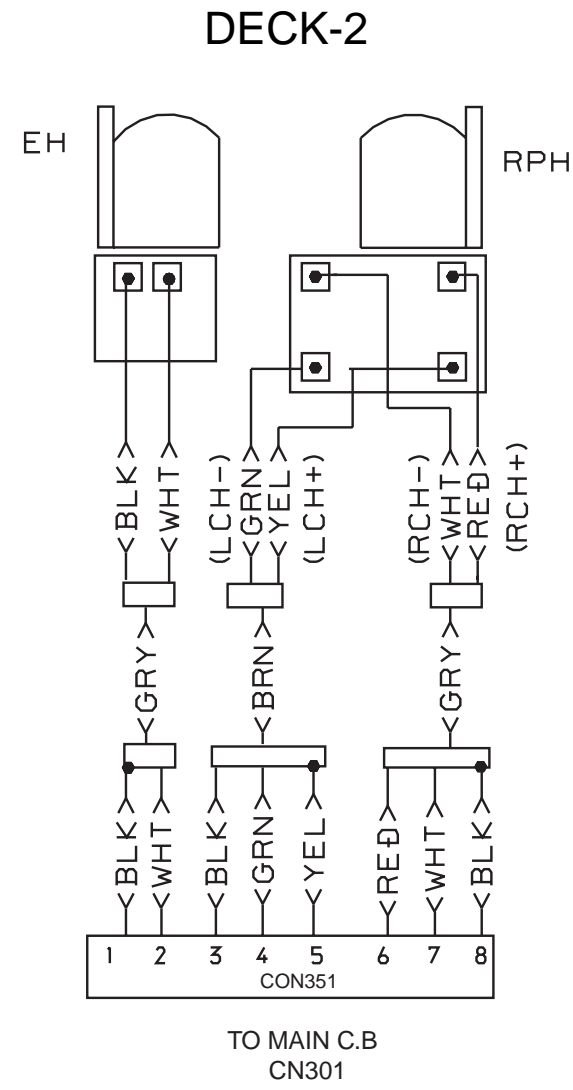
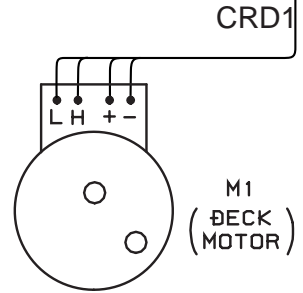
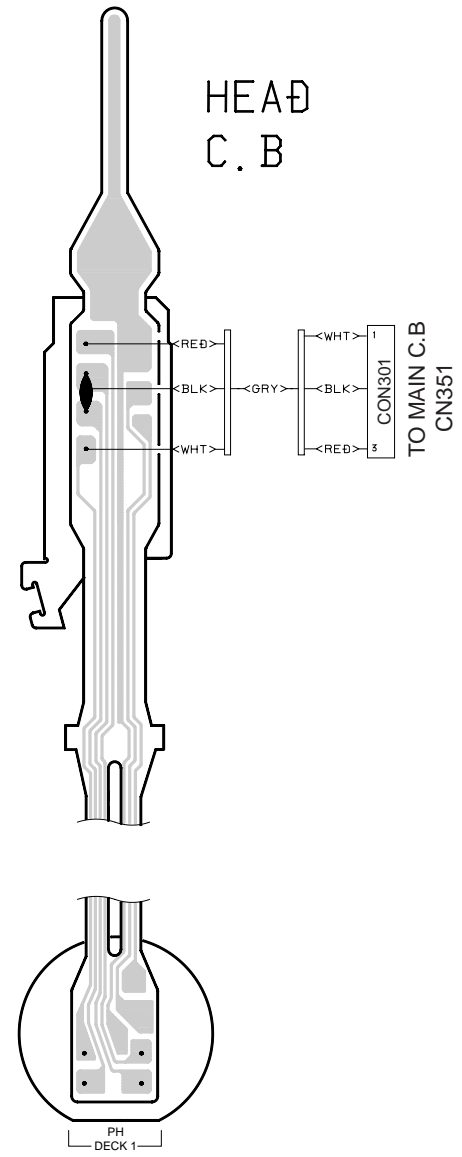
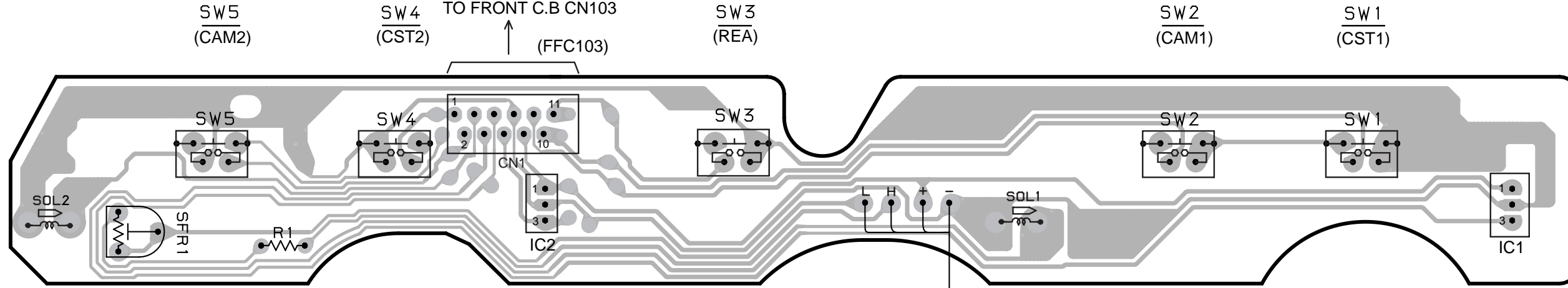


SCHEMATIC DIAGRAM - 5 (HP)



32	31	30	29	28	27	26	25	24	23	22	21	20	19	18	17	16	15	14	13	12	11	10	9	8	7	6	5	4	3	2	1
----	----	----	----	----	----	----	----	----	----	----	----	----	----	----	----	----	----	----	----	----	----	----	---	---	---	---	---	---	---	---	---

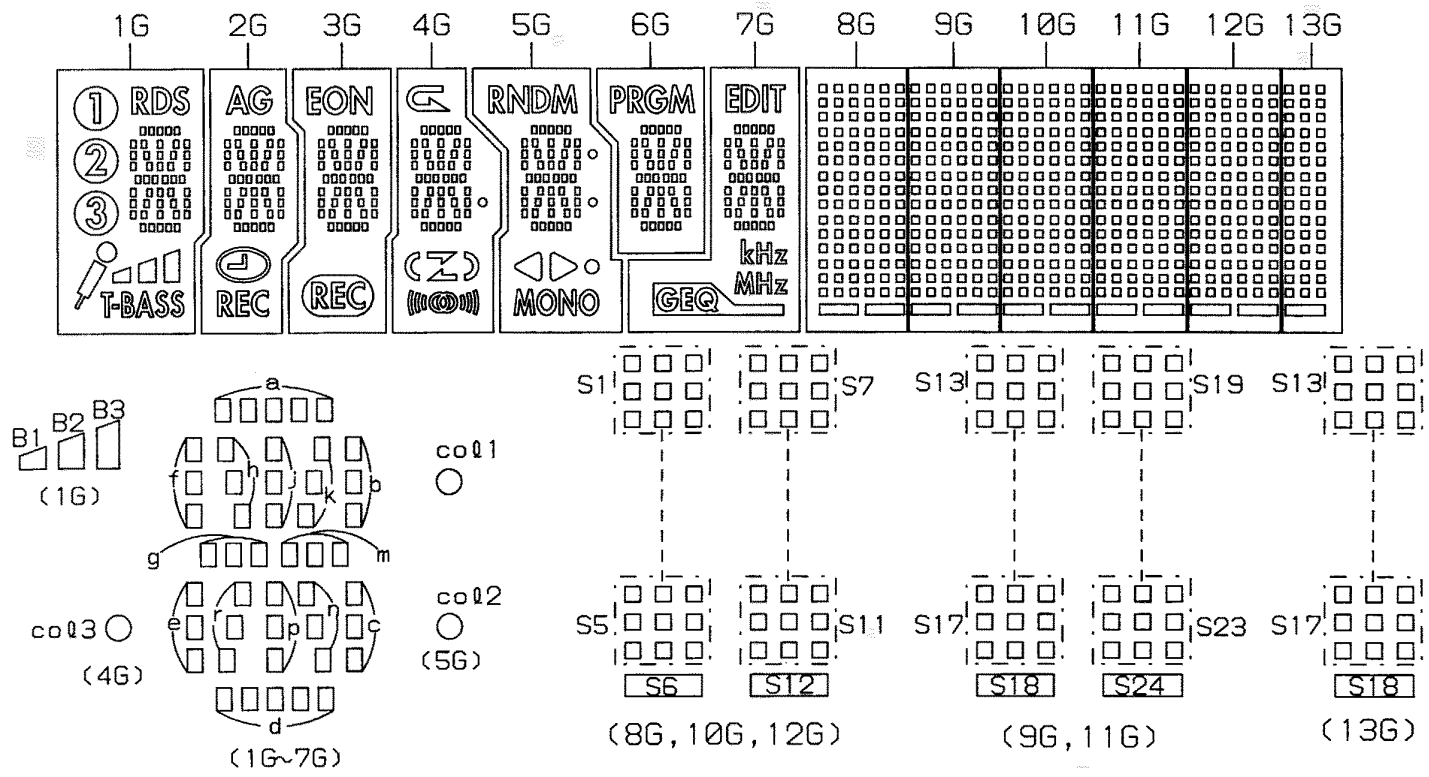
DECK C.B



A
B
C
D
E
F
G
H
I
J
K
L
M
N
O
P
Q
R
S
T
U

FL (CNF-8 FL-BJ867GNK) GRID ASSIGNMENT / ANODE CONNECTION

GRID ASSIGNMENT

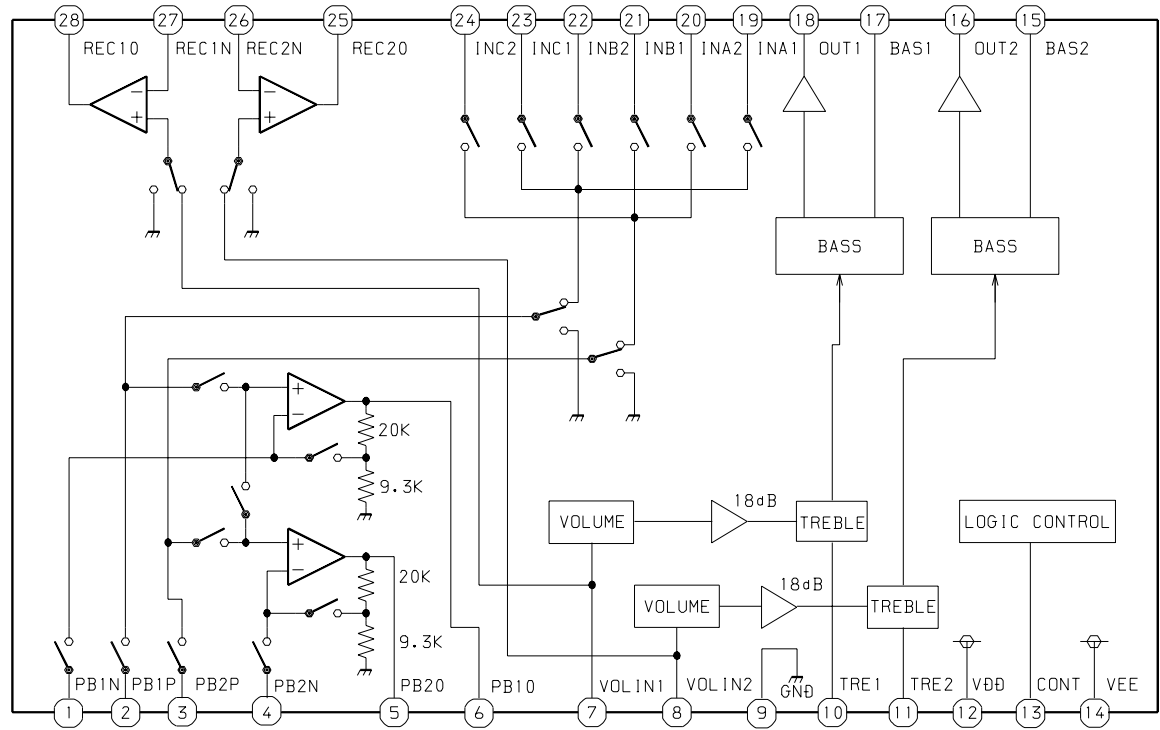


ANODE CONNECTION

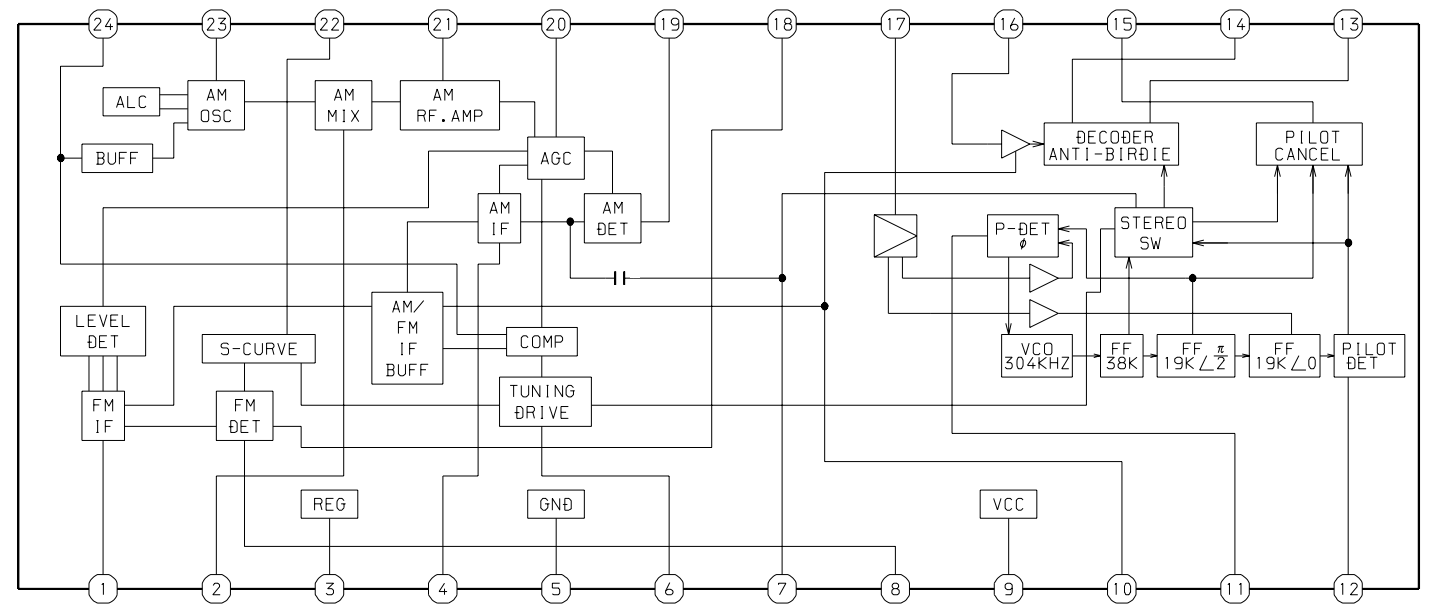
	1G	2G	3G	4G	5G	6G	7G	8G	9G	10G	11G	12G	13G
P1	RDS	AG	EON	⏪	RNDM	PRGM	EDIT	S1	-	S1	-	S1	-
P2	a	a	a	a	a	a	a	S7	-	S7	-	S7	-
P3	h	h	h	h	h	h	h	-	S13	-	S13	-	S13
P4	j	j	j	j	j	j	j	-	S19	-	S19	-	-
P5	k	k	k	k	k	k	k	S2	-	S2	-	S2	-
P6	b	b	b	b	b	b	b	S8	-	S8	-	S8	-
P7	f	f	f	f	f	f	f	-	S14	-	S14	-	S14
P8	m	m	m	m	m	m	m	-	S20	-	S20	-	-
P9	g	g	g	g	g	g	g	S3	-	S3	-	S3	-
P10	c	c	c	c	c	c	c	S9	-	S9	-	S9	-
P11	e	e	e	e	e	e	e	-	S15	-	S15	-	S15
P12	r	r	r	r	r	r	r	-	S21	-	S21	-	-
P13	p	p	p	p	p	p	p	S4	-	S4	-	S4	-
P14	n	n	n	n	n	n	n	S10	-	S10	-	S10	-
P15	d	d	d	d	d	d	d	-	S16	-	S16	-	S16
P16	①	⏪	REC	col3	col1	-	kHz	-	S22	-	S22	-	-
P17	②	REC	-	⏪	col2	-	MHz	S5	-	S5	-	S5	-
P18	③	-	-	⏪	○	-	⏪	S11	-	S11	-	S11	-
P19	🔊	-	-	⏪	▶	-	-	-	S17	-	S17	-	S17
P20	T-BASS	-	-	⏪	▶	-	-	-	S23	-	S23	-	-
P21	B1	-	-	-	MONO	-	-	S6	-	S6	-	S6	-
P22	B2	-	-	-	-	-	-	S12	-	S12	-	S12	-
P23	B3	-	-	-	-	-	-	-	S18	-	S18	-	S18
P24	-	-	-	-	-	-	-	-	S24	-	S24	-	-

IC BLOCK DIAGRAM

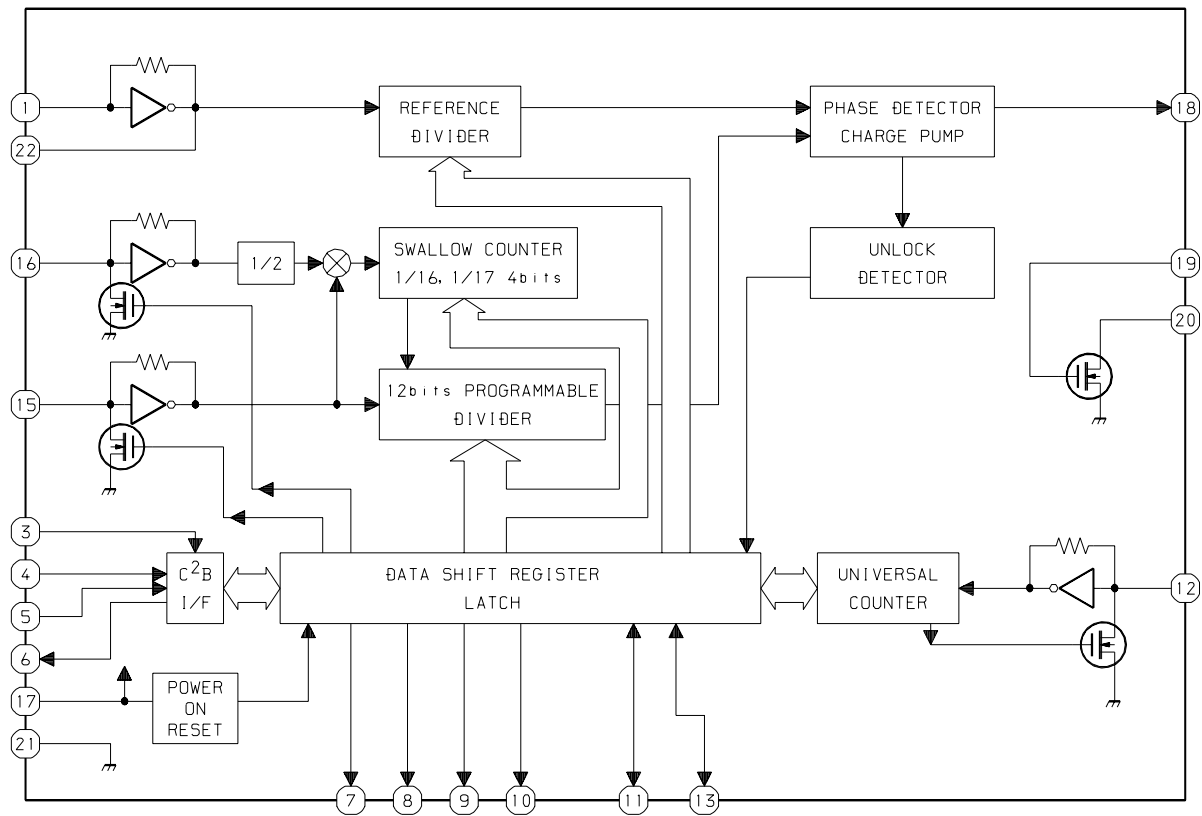
IC, BD3881FV



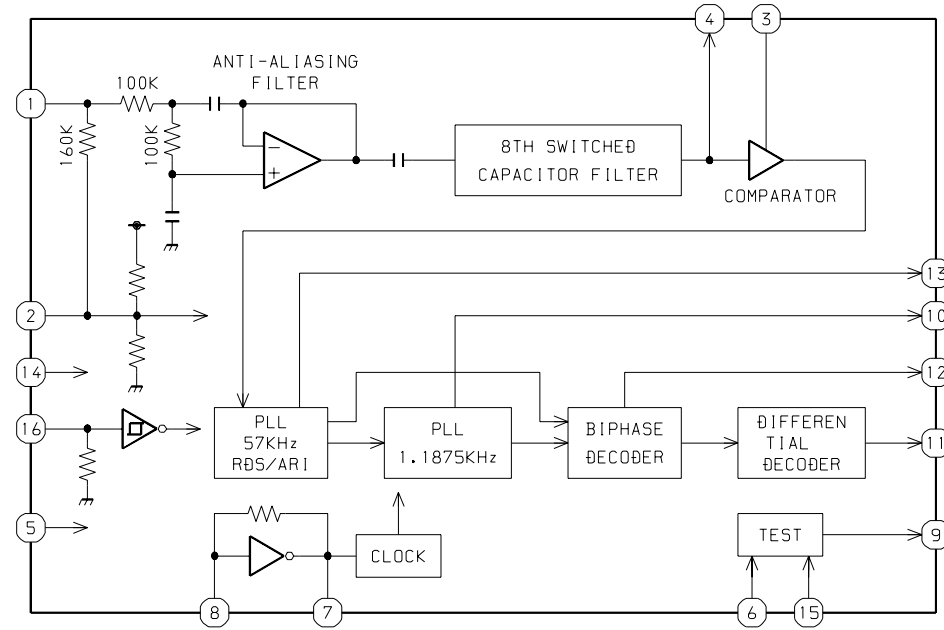
IC, LA1845N-A



IC, LC72131D-N



IC, BU1920FS



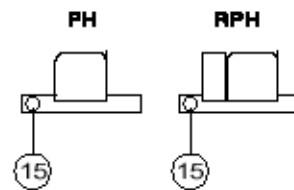
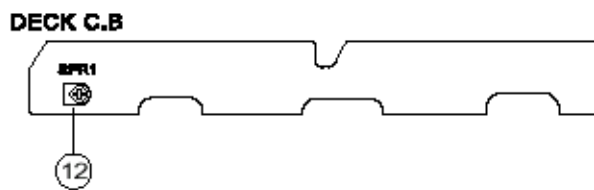
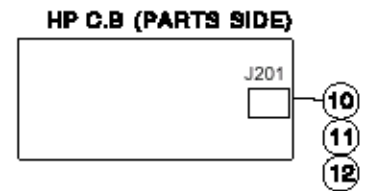
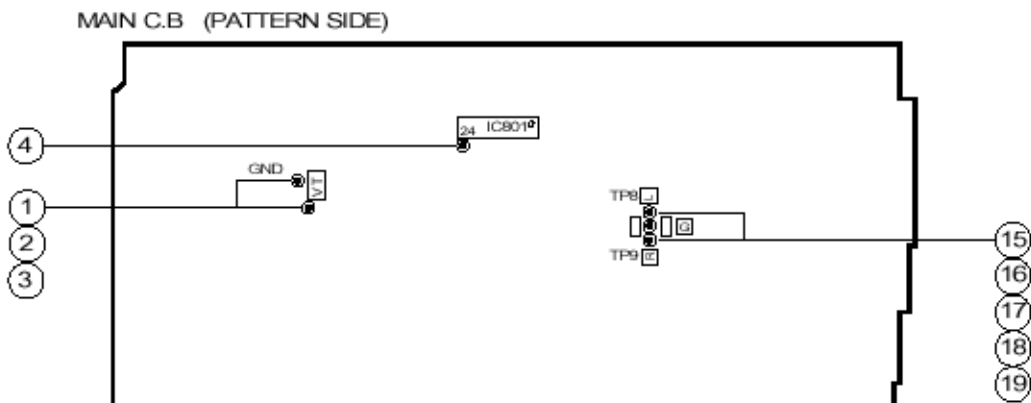
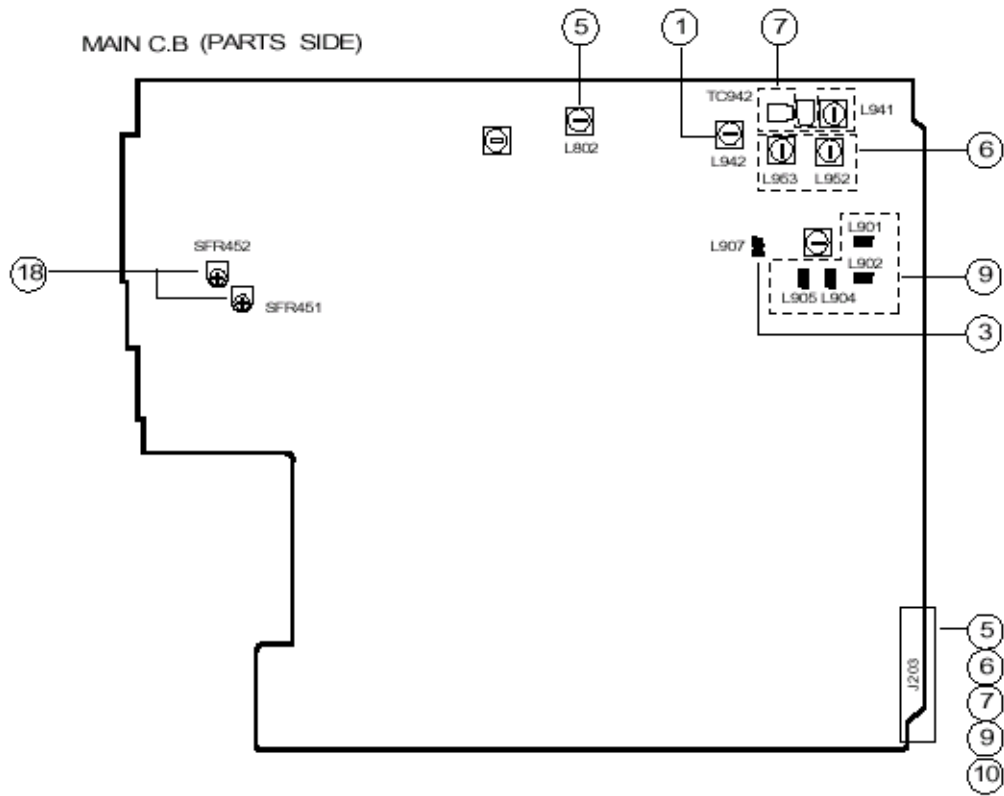
IC DESCRIPTION

IC, μ PD780226GF-032-3BA<30EZ,30K,37EZ>, μ PD780228GF-088-3BA<31EZ>

Pin No.	Pin Name	I/O	Description
1	O-MOTOR	O	DECK MOTOR $\overline{\text{ON}}$ /OFF output.
2	O-SOL1	O	DECK1 solenoid $\overline{\text{ON}}$ /OFF output.
3	O-SOL2	O	DECK2 solenoid $\overline{\text{ON}}$ /OFF output.
4	O-STBY LED	O	STANDBY LED (Echo mode) output ($\overline{\text{ON}}$ /OFF).
5	O-MUTE	O	System MUTE ON/ $\overline{\text{OFF}}$ output.
6	O-KSCAN	O	Switch scan timing output.
7	O-PLL_CE	O	PLL IC chip enable output.
8	I-TM_BASE	I	Base input for clock.
9	O-TU_ON	O	TUNER ON/ $\overline{\text{OFF}}$ switch output.
10	O-PB2	O	DECK2 playback switch output ($\overline{\text{ON}}$ /OFF).
11	NC	-	Not connected.
12	I-AUTO1	I	DECK1 auto stop $\overline{\text{ON}}$ /OFF input.
13	I-REA	I	DECK2 side A record OK $\overline{\text{ON}}$ /OFF input.
14	I-CST1	I	DECK1 cassette detect $\overline{\text{ON}}$ /OFF input.
15	I-CST2	I	DECK2 cassette detect $\overline{\text{ON}}$ /OFF input.
16	I-AUTO2	I	DECK2 auto stop $\overline{\text{ON}}$ /OFF input.
17	IC	-	Internal connection (connected to GND).
18	VSS0	-	GND.
19	VDD0	-	Power supply.
20	O-POWER	O	System power supply ON/ $\overline{\text{OFF}}$ output.
21	I-JOG_A	I	Dial jog rotary encoder input A.
22	I-JOG_B	I	Dial jog rotary encoder input B.
23	I-VOL_A	I	Volume rotary encoder input A.
24	I-VOL_B	I	Volume rotary encoder input B.
25	I-SUBQ	I	CD SUBQ data input.
26	I-WRQ	I	CD interrupt signal input.
27	I-DRF	I	CD focus on detect data input.
28	I-RDS_CLK	I	Tuner RDS clock input.<31EZ only>
29	I-RDS_DATA	I	Tuner RDS data input.<31EZ only>
30	RESET	-	System reset input ($\overline{\text{ON}}$ /OFF).
31	O-DSC/O-DATA	O	Function IC/Tuner IC, DATA output.
32	O-CLK_SFT	O	MICON clock shift output.
33	I-IFC	I	Tune IF count serial data input.
34	I-RMC	I	System remote control signal input.
35	I-DISH	I	CD turntable photo sensor input A/D converter input.
36	I-STEREO	I	Tuner STEREO detect input.
37	VDD1	-	Power supply.
38	X2	-	4.19MHz oscillator circuit.
39	X1	-	4.19MHz oscillator circuit.
40	VSS1	-	GND.
41	AVDD	-	Power supply.
42	I-HOLD	I	Power failure detected input.
43	I-CDSW	I	CD mecha switch A/D converter input.

Pin No.	Pin Name	I/O	Description
44	I-SPEANA_1	I	A/D input for spectrum analyser level display.
45	I-SPEANA_2	I	A/D input for spectrum analyser level display.
46	I-SPEANA_3	I	A/D input for spectrum analyser level display.
47	I-KEY1	I	Key A/D input 1.
48	I-KEY2	I	Key A/D input 2.
49	I-TU_SIG	I	Tuner signal input.<31EZ only>
50	AVSS	–	GND.
51	O-BIAS	O	DECK2 BIAS $\overline{\text{ON}}$ /OFF output.
52	O-CD_CE	O	CD chip enable output.
53	O-CD_CLK	O	CD clock output.
54	O-CD_DATA	O	CD data output.
55	O-CLK	O	Clock output.
56	NC	–	Not connected.
57	NC	–	Not connected.
58	NC	–	Not connected.
59	NC	–	Not connected.
60	I- $\overline{\text{CAM1}}$	I	DECK1 CAM stop $\overline{\text{ON}}$ /OFF input.
61	I- $\overline{\text{CAM2}}$	I	DECK2 CAM stop $\overline{\text{ON}}$ /OFF input.
62~78	P24~P8	O	FL segment output P24 ~ P8.
79	VDD2	–	Power supply.
80	VLOAD	–	Power supply for FL display.
81~87	P7~P1	O	FL segment output P7 ~ P1.
88~100	G1 ~ G13	O	FL grid output G1 ~ G13.

ADJUSTMENT < TUNER / DECK / FRONT >

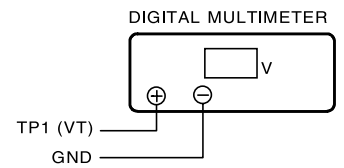


<TUNER Adjustment>

1. LW VT Adjustment

Requirement:

- Measuring instrument: Digital multimeter
 - Test point: TP1 (VT), GND
 - Adjustment location: L942
- 1) Connect the digital multimeter between TP1 (VT) and GND.
 - 2) Set the function of the unit to LW, and tune to the receiving frequency at 144kHz.
 - 3) Adjust L942 so that the digital multimeter indicates $1.3 \pm 0.05V$.



2. MW VT Check

Requirement:

- Measuring instrument: Digital multimeter
 - Test point: TP1 (VT), GND
- 1) Connect the digital multimeter between TP1 (VT) and GND.
 - 2) Set the function of the unit to MW, and tune to the receiving frequency at 1,602kHz.
 - 3) Check that the digital multimeter indicates 8V or less.
 - 4) Turn to the receiving frequency at 531kHz.
 - 5) Check that the digital multimeter indicates 0.6V or above.

3. FM VT Adjustment and Check

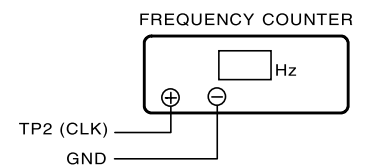
Requirement:

- Measuring instrument: Digital multimeter
 - Test point: TP1 (VT), GND
 - Adjustment points: L907
- 1) Connect the digital multimeter between TP1 (VT) and GND.
 - 2) Set the function of the unit to FM, and tune to the receiving frequency at 108.0MHz.
 - 3) Adjust L907 so that the digital multimeter indicates $7.0 \pm 0.1V$.
 - 4) Tune the receiving frequency at 87.5MHz.
 - 5) Check that the digital multimeter indicates 0.5V or above.

4. Clock Check

Requirement:

- Measuring instrument: Frequency counter
 - Test point: TP2 (CLK), GND
- 1) Connect the frequency counter between TP2 (CLK) and GND.
 - 2) Set the function of the unit to MW, and tune to the receiving frequency at 1,602kHz.
 - 3) Check that the frequency counter indicates $2,160kHz \pm 45Hz$.

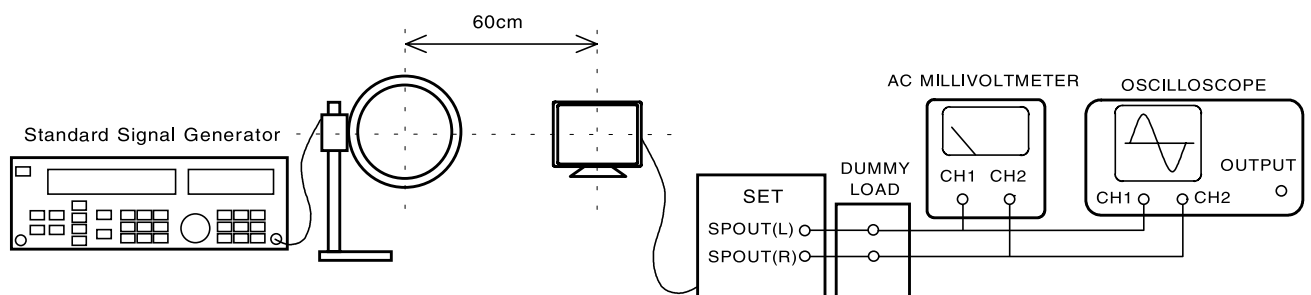


<MW/LW Adjustment>

Make the following preparation for MW/LW adjustment.

Preparation

- Standard Signal Generator (S.S.G.) / Loop antenna / Oscilloscope / AC millivoltmeter / Dummy resistance (6 ohms)
- 1) Connect the unit and measuring instruments as shown in the diagram below.
 - 2) Position the loop antenna connected to S.S.G. and the one connected to the unit 60cm apart.



9. MW IF Adjustment

Requirement:

- Test point: J203 (SP OUT (LCH,RCH))
 - Adjustment point: L802
- 1) Set S.S.G. to AM, carrier of 999kHz with 30% modulation, and source at 1kHz.
 - 2) Tune the receiving frequency of the unit at MW 999kHz.
 - 3) While monitoring the waveform at 1kHz through the oscilloscope, lower the output level of S.S.G. maximum.
 - 4) Adjust L802 so that the AC millivoltmeter points maximum.

6. MW Tracking Adjustment

Requirement:

- Test point: J203 (SP OUT (LCH,RCH))
 - Adjustment point: L952,L953
- 1) Set S.S.G. to AM, carrier of 999kHz with 30% modulation, source at 1kHz, and output at MAX.
 - 2) Tune the unit to the receiving frequency at MW 999kHz.
 - 3) While monitoring the waveform at 1kHz through the oscilloscope, lower the output level of S.S.G. maximum.
 - 4) Adjust L952 so that the AC millivoltmeter indicates maximum.
 - 5) Set S.S.G. to AM, carrier of 603kHz with 30% modulation, and source at 1kHz.
 - 6) Set the unit to the receiving frequency at MW 603kHz.
 - 7) Adjust L953 so that the AC millivoltmeter indicates maximum.
 - 8) Repeat the above steps 1 to 7 two to three times.

7. LW Tracking Adjustment

Requirement:

- Test point: J203 (SP OUT (LCH,RCH))
 - Adjustment point: TC942,L941
- 1) Set up to TC942 to center before adjustment.
 - 2) Set S.S.G. to AM, carrier of 144kHz with 30% modulation, source at 1kHz, and output at MAX.
 - 3) Tune the unit to the receiving frequency at LW 144kHz.
 - 4) While monitoring the waveform at 1kHz through the oscilloscope, lower the output level of S.S.G. maximum.
 - 5) Adjust L941 so that the AC millivoltmeter indicates maximum.
 - 6) Set S.S.G. to AM, carrier of 290kHz with 30% modulation, and source at 1kHz.
 - 7) Set the unit to the receiving frequency at LW 290kHz.
 - 8) Adjust TC942 so that the AC millivoltmeter indicates maximum.
 - 9) Repeat the above steps 2 to 8 two to three times.

8. MW Auto-Stop Check

Requirement:

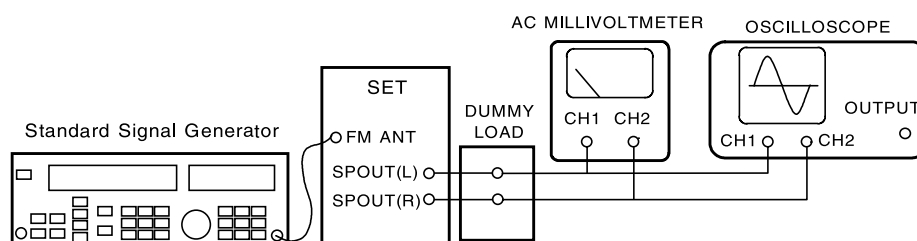
- Test point: J203 (SP OUT (LCH,RCH))
- 1) Set S.S.G. to AM, carrier of 999kHz with 30% modulation, source at 1kHz, and output at 10~70dBuv.
 - 2) Apply the tuning search function, and check that the unit automatically stops at MW 999kHz.

<FM Adjustment>

Make the following preparation for FM adjustment.

Preparation

- Standard Signal Generator (S.S.G.) / Loop antenna / Oscilloscope / AC millivoltmeter / Dummy resistance (6 ohms)
- 1) Connect the unit and measuring instruments as shown in the diagram below.
 - 2) Connect the output of S.S.G. to the antenna input of the unit.



9. FM Tracking Adjustment

Requirement:

- Test point: J203 (SP OUT (LCH,RCH))
 - Adjustment point: L901,L902,L904,L905
- 1) Set S.S.G. to FM, carrier of 108MHz with 75kHz modulation, source at 1kHz and output at MAX.
 - 2) Tune the unit to the receiving frequency at FM 108MHz.
 - 3) While monitoring the waveform at 1kHz through the oscilloscope, lower the output level of S.S.G. maximum.
 - 4) Adjust the adjustment points according to the following sequence for two to three times so that the AC millivoltmeter indicates maximum.
L905 → L904 → L902 → L901 → L902 → L904 → L905

10. FM Separation Check

Requirement:

- Test point: J203 (SP OUT (LCH,RCH))
- 1) Set S.S.G. to FM, carrier of 98MHz with 67.5kHz modulation, source at 1kHz and output at 60dBu.
 - 2) Switch S.S.G to PILOT ON and set to PILOT 7.5kHz.
 - 2) Tune the unit to the receiving frequency at FM 98MHz.
 - 3) Set the output of S.S.G. available only from LCH, and check that the difference between LCH and RCH is 12dB or above while monitoring the AC millivoltmeter.
 - 5) Apply the above check to RCH.

11. FM Auto-Stop Check

Requirement:

- Test point: J203 (SP OUT (LCH,RCH))
- 1) Set S.S.G. to FM, carrier of 108MHz with 75kHz modulation, source at 1kHz, and output at 10 to 35dBu.
 - 2) Apply the tuning search function, and check that the unit automatically stops at FM 108MHz.

<DECK Section>

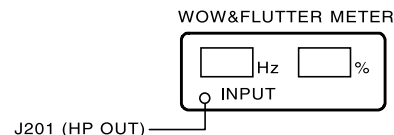
Preparation

- Measuring instrument: Wow-flutter meter / Oscilloscope / AC millivoltmeter / Low frequency generator / Attenuator
- Test tape: TTA-100 / TTA-300 (or TTA-310, 320) / TTA-200 / TTA-602 (or equivalent playback/record test tape)

12. Tape Speed Adjustment (DECK 2)

Requirement

- Measuring instrument: Wow-flutter meter (frequency counter)
 - Test tape: TTA-100(3kHz)
 - Test point: J201(HP OUT)
 - Adjustment point: SFR1
- 1) Connect J201(HP OUT) of the unit to the wow-flutter meter.
 - 2) Insert the test tape (TTA-100) to DECK 2. Forward and play back the middle part of the tape, and adjust SFR1 so that the level is 3,000Hz±5Hz.



13. Tape Speed Check (DECK 1)

Requirement:

- Measuring instrument: Wow-flutter meter (frequency counter)
 - Test tape: TTA-100(3kHz)
 - Test point: J201(HP OUT)
- 1) Insert the test tape (TTA-100) to DECK 1. Play back the middle part of the tape, and check that the speed compared to that of DECK 2 is ranged within 5Hz.

14. Wow-Flutter Check (DECK 1 and DECK 2)

Requirement:

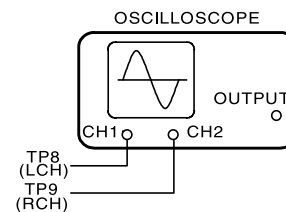
- Measuring instrument: Wow-flutter meter (frequency counter)
 - Test tape: TTA-100(3kHz)
 - Test point: J201(HP OUT)
- 1) Connect J201(HP OUT) of the unit to the wow-flutter meter.
 - 2) Set the wow-flutter meter to JIS for INDICATOR and W RMS (WTD) for mode.

3) Play back the middle part of the test tape (TTA-100), and check that the level is 0.25% or less.

15. Head Azimuth Adjustment (DECK 1 and DECK 2)

Requirement

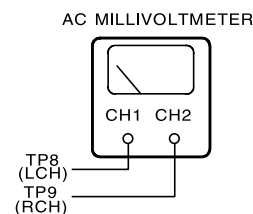
- Measuring instrument: Oscilloscope
 - Test tape: TTA-300(10kHz)
 - Test point: TP8(LCH),TP9(RCH)
 - Adjustment point: Head azimuth adjustment screw
- 1) Connect the CH1 probe of the oscilloscope to TP8 (LCH) and the CH2 probe to TP9 (RCH).
 - 2) Set the V mode of oscilloscope to ADD.
 - 3) Insert the test tape (TTA-300) to DECK 1. Forward and play back the middle part of the tape, and adjust the head azimuth adjustment screw so that the waveform during playback of 10kHz becomes maximum.
 - 4) After adjustment, secure the screw with bonding (1600B).
 - 5) Apply the above steps 3 and 4 to DECK 2.



16. Playback Frequency Check (DECK 1 and DECK 2)

Requirement:

- Measuring instrument: AC millivoltmeter
 - Test tape: TTA-300(315Hz/10kHz)
 - Test point: TP8(LCH),TP9(RCH)
- 1) Connect the CH1 of AC millivoltmeter to TP8 (LCH) and the CH2 to TP9 (RCH).
 - 2) Insert the test tape (TTA-300) to DECK 1, and play back 315Hz and 10kHz.
 - 3) Check that the level of 10kHz is ranged within $\pm 3\text{dB}$ compared to the output level of 315Hz as a reference.
 - 4) Apply the above steps 2 and 3 to DECK 2.



17. Playback Sensitivity Check (DECK 1 and DECK 2)

Requirement:

- Measuring instrument: AC millivoltmeter
 - Test tape: TTA-200(400Hz)
 - Test point: TP8(LCH),TP9(RCH)
- 1) Connect the CH1 of AC millivoltmeter to TP8 (LCH) and the CH2 to TP9 (RCH).
 - 2) Insert the test tape (TTA-200) to DECK 1, and play back.
 - 3) Check that the output level is ranged within $280\text{mV} \pm 3\text{dB}$.
 - 4) Apply the above steps 2 and 3 to DECK 2.

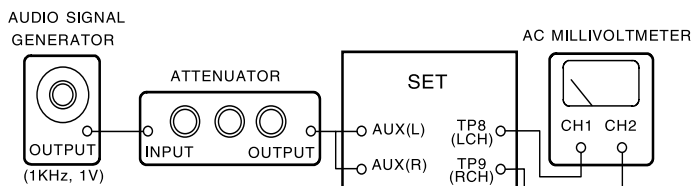
18. Record/Playback Frequency Property Adjustment (DECK 2)

Requirement:

- Measuring instrument: AC millivoltmeter, Audio signal generator (low frequency generator), Attenuator
- Test tape: TTA-602(NORMAL)
- Test point: TP8(LCH),TP9(RCH)
- Input point: AUX(1kHz / 8kHz)

Adjustment points: SFR451(LCH), SFR452(RCH)

- 1) Connect the CH1 of AC millivoltmeter to TP8 (LCH) and the CH2 to TP9 (RCH).
- 2) Connect the output from the generator to the attenuator and the attenuator to AUX of the unit.
- 3) Insert the test tape (TTA-602) to DECK 2, and record 1kHz from AUX.
- 4) Adjust the attenuator so that the output levels from TP8 and TP9 becomes 10mV.
- 5) Record 1kHz and 8kHz alternatively.
- 6) Adjust SFR451 (LCH) and SFR452 (RCH) so that the playback output level of 8kHz is ranged within $0 \pm 1\text{dB}$ compared to the playback output level of 1kHz as reference.



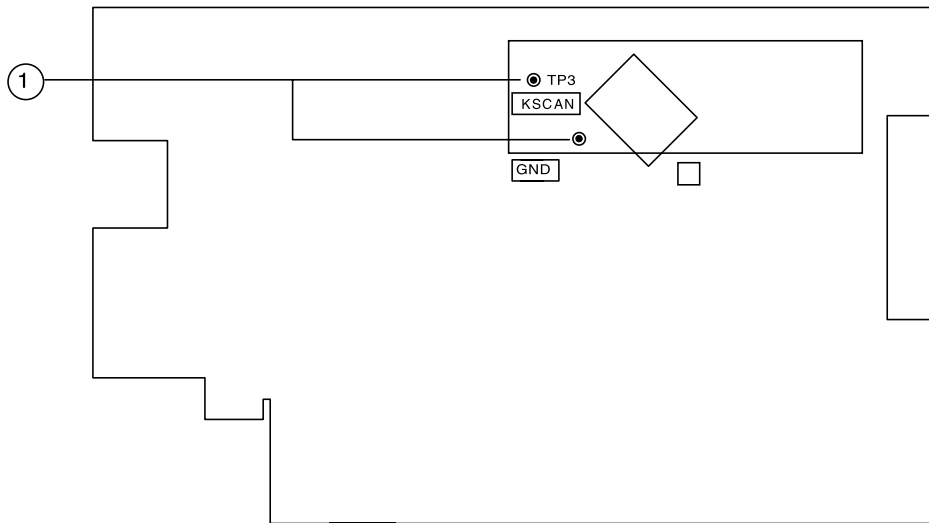
19. Playback Sensitivity Check (DECK 2)

Requirement:

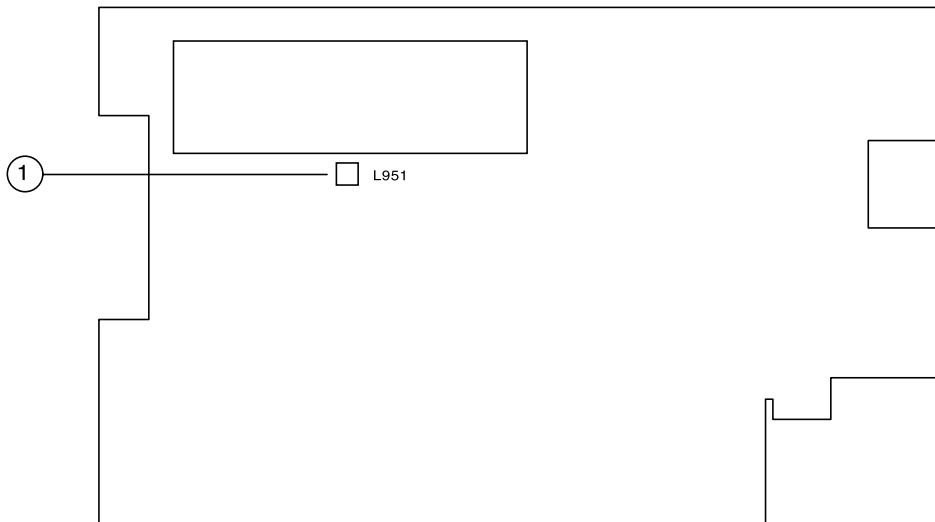
- Measuring instrument: AC millivoltmeter, Audio signal generator (low frequency generator), Attenuator
 - Test tape: TTA-602(NORMAL)
 - Test point: TP8(LCH),TP9(RCH)
 - Input point: AUX(1kHz)
- 1) Insert the test tape (TTA-200) to DECK 2, and record 1kHz signal from AUX.
 - 2) Adjust the attenuator so that the output levels of TP8(LCH) and TP9 (RCH) becomes 100mV.
 - 3) Play back 1kHz signal, and check that the output level is ranged within $-2\text{dB}\pm 2\text{dB}$ compared to the output level during recording.

<FRONT >

FRONT C.B (PATTERN SIDE)



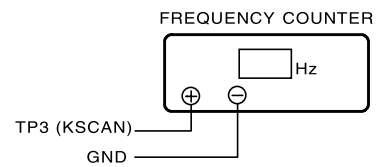
FRONT C.B (PARTS SIDE)



1. Clock Adjustment

Requirement:

- Measuring instrument: Frequency counter
 - Test point: TP3 (KSCAN), GND
 - Adjustment point: L951
- 1) While pressing and holding down the POWER button and UP button, Insert the AC plug to outlet.
 - 2) Adjust L951 so that the frequency counter indicates $84.804 \pm 0.084\text{Hz}$.



CD TEST MODE-1/1

1. How to Start the CD Test Mode

While pressing the CD OPEN/CLOSE button, insert the AC plug to the power outlet.
When the test mode is started, the message [TEST] is displayed.

2. How to Exit the CD Test Mode

Press the POWER button, push other FUNCTION button or disconnect the AC plug.
* Pressing any other function key during PLAY, aborts the test mode.

3. Function Descriptions and Application of the CD Test Mode

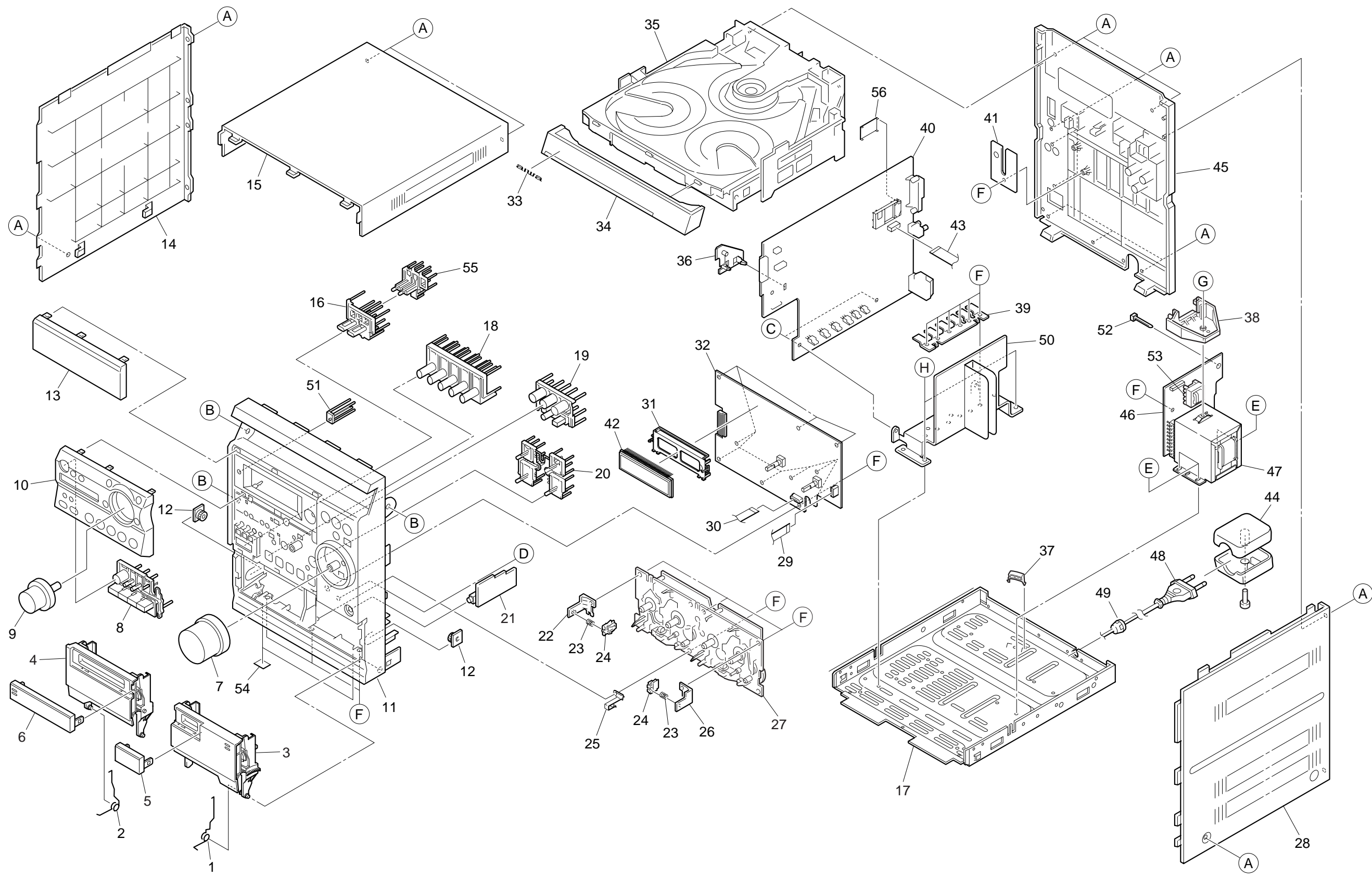
No	Mode	Operation	Display	Function	Checking item
1	Start mode		All indicators light	<ul style="list-style-type: none"> All FL indicators light 	<ul style="list-style-type: none"> FL check Microprocessor check
2	Search mode	STOP button	READING	<ul style="list-style-type: none"> LD illuminates all the time Focus search continuous operations *1,*2 Spindle motor continuous kick 	<ul style="list-style-type: none"> APC circuit check Laser current measurement Focus search waveform check Focus error waveform check (DRF in the search mode is ignored)
3	Play mode	Play button	Normal	<ul style="list-style-type: none"> Normal playback If TOC cannot be read, focus search is continued 	<ul style="list-style-type: none"> Each servo circuit is checked DRF check RF WAVE check(About 1.5vp-p)
4	Traverse mode	PAUSE button	Normal	<ul style="list-style-type: none"> Tracking servo OFF/ON Each time PAUSE button is pressed, the tracking servo repeats turning OFF/ON 	<ul style="list-style-type: none"> Tracking balance check
5	Sled mode	FF button	TEST	<ul style="list-style-type: none"> Pickup moves to the inner circumference *3 At the same time, lens kicks to the inner circumference 	<ul style="list-style-type: none"> Sled circuit check Tracking circuit check Mechanism operation check Pickup check
		RWD button	TEST	<ul style="list-style-type: none"> Pickup moves to the outer circumference *3 At the same time, lens kicks to the outer circumference 	
6	Spindle mode	REC/REC MUTE button	All indicators light	<ul style="list-style-type: none"> The spindle motor rotates forward (rough speed) by pressing the button and rotates backward by pressing one more time and stops by pressing again 	<ul style="list-style-type: none"> Spindle circuit Spindle motor

*1: The driver IC heats up and the protection circuit starts working when the focus search is continued for 10 minutes or longer. There can be a case that operations can not be performed correctly.
In such a case, turn off the main power. After cooling down the machine, restart the machine.

*2: After the focus search is executed three times, the gain is changed to the CD-RW gain from the fourth time.

*3: Be careful not to damage the gear because the sled motor rotates while the FF or RWD button is being pressed even if the pick-up is located in the innermost track or the outermost track.

MECHANICAL EXPLODED VIEW



MECHANICAL PARTS LIST

! = SAFETY PARTS

C = Components marked

All components used on this model at the production line are shown in this service manual.

However, please note that not all components will be available as spare parts for after-sales service.

Components marked S and O are designated as spare parts for service and will be stocked at the spare parts centers.

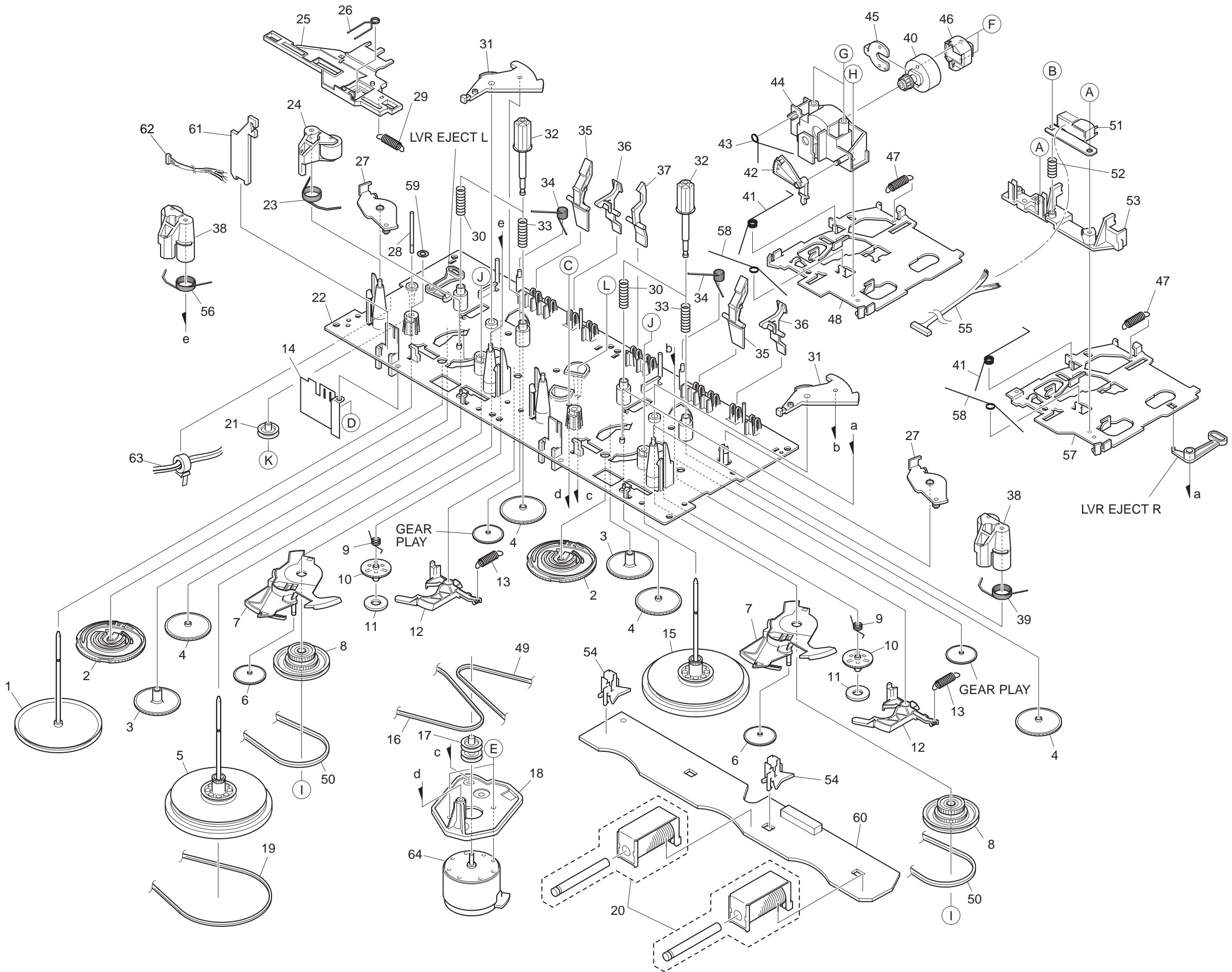
Components marked X and R are not designated as spare parts for after sales service, and will not be stocked at the spare parts centers.

UNIT-NAME	! C	REF-NO	PARTS-NO	PARTS-NAME	SUFFIX&MODEL			
					CX-NR37 EZBC	CX-NR30 KSC	CX-NR30 EZSC	CX-NR31 EZSC
	O	MC1001	8A-NF8-282-010	SPR-T, EJECT 2	a	b	c	d
	O	MC1002	8A-NF8-281-010	SPR-T, EJECT 1	a	b	c	d
	O	MC1003	8C-NF8-040-010	BOX, CASS 2 B	a	.	.	.
	O	MC1003	8C-NF8-003-010	BOX, CASS 2	.	b	c	d
	O	MC1004	8C-NF8-039-010	BOX, CASS 1 B	a	.	.	.
	O	MC1004	8C-NF8-002-010	BOX, CASS 1	.	b	c	d
	O	MC1005	8C-NF8-006-010	WINDOW, CASS 2	a	b	c	d
	O	MC1006	8C-NF8-005-010	WINDOW, CASS 1	a	b	c	d
	O	MC1007	8C-NF8-020-010	KNOB, RTRY VOL	a	b	c	d
	O	MC1008	8C-NF8-009-010	KEY, POWER	a	b	c	d
	O	MC1009	8C-NF8-027-010	KNOB, RTRY JOG	a	b	c	d
	O	MC1010	8C-NF8-028-010	PANEL, FR EZ	a	b	c	.
	O	MC1010	8C-NF7-031-010	PANEL, FR EZR	.	.	.	d
	O	MC1011	8C-NF8-038-010	CABI, FR EZB	a	.	.	.
	O	MC1011	8C-NF8-077-010	CABI, FR EZ	.	b	c	d
	O	MC1012	8Z-NF6-210-010	DMPR, 150 N	a	b	c	d
	O	MC1013	8C-NF8-043-010	WINDOW, DISP EZB	a	.	.	.
	O	MC1013	8C-NF8-019-010	WINDOW, DISP H	.	b	c	.
	O	MC1013	8C-NF8-016-010	WINDOW, DISP EZR	.	.	.	d
	O	MC1014	8C-NF8-021-010	PANEL, LEFT	a	b	c	d
	O	MC1015	8C-NF8-023-110	PANEL, TOP	a	b	c	d
	O	MC1016	8C-NF8-029-010	KEY, REC EZ	a	b	c	d
	X	MC1017	8C-NF8-234-010	CHAS, MAIN CC 66-35	a	b	c	d
	O	MC1018	8C-NF8-013-010	KEY, OPE	a	b	c	d
	O	MC1019	8C-NF8-010-010	KEY, CD	a	b	c	d
	O	MC1020	8C-NF8-011-010	KEY, ENTER	a	b	c	d
	X	MC1021	8C-NF8-646-010	PWB, HP EZ/K/HS	a	b	c	d
	O	MC1022	87-NF4-216-010	HLDL, LOCK 1	a	b	c	d
	O	MC1023	86-NF9-224-010	SPR-C, LOCK	a	b	c	d
	O	MC1024	82-NF5-229-010	PLATE, LOCK (*)	a	b	c	d
	X	MC1025	8A-NF8-217-010	PLATE, EARTH MECHA C	a	b	c	d
	O	MC1026	87-NF4-217-110	HLDL, LOCK 2	a	b	c	d
	X	MC1027	M8-ZZM-39F-070	ZZM-3 YPR4NC	a	b	c	d
	O	MC1028	8C-NF8-022-010	PANEL, RIGHT	a	.	.	.
	O	MC1028	8C-NF8-052-010	PANEL, RIGHT 1V	.	b	c	d
	O	MC1029	88-908-301-110	FF-CABLE, 8P 1.25 300MM	a	b	c	d
	O	MC1030	88-911-101-110	FF-CABLE, 11P 1.25 100MM	a	b	c	d
	O	MC1031	8A-NFA-208-010	GUIDE, FL 100-25 ANFA	a	b	c	d
	X	MC1032	8C-NF8-621-010	PWB, FRONT	a	b	c	d
	O	MC1033	87-B00-002-010	BADGE, AIWA 30 ABS SIL	a	b	c	d
	O	MC1034	8C-NF8-041-010	PANEL, TRAY EZB	a	.	.	.
	O	MC1034	8C-NF8-008-010	PANEL, TRAY	.	b	c	d
	X	MC1035	M8-BZG-29G-070	BZG-2 ZD5GNC	a	b	c	.
	X	MC1035	M8-BZG-29G-170	BZG-2 ZD5GNC	.	.	.	d
	O	MC1036	8A-NF8-206-010	HLDL, PWB M	a	b	c	d
	O	MC1037	87-NF4-221-010	HLDL, CABLE	a	b	c	d
	O	MC1038	8A-NF9-211-010	HLDL, PWB PT HI	a	b	c	d
	X	MC1039	8C-NF8-202-110	HLDL, TR	a	b	c	d
	X	MC1040	8C-NF8-641-010	PWB, MAIN EZ/K/HS	a	b	c	d
	X	MC1041	8C-NF8-623-010	PWB, HLDL WIRE	a	b	c	d
	O	MC1042	8C-NF8-615-010	FL, CNF-8 FL-BJ867GNK	a	b	c	d
	O	MC1043	88-906-251-110	FF-CABLE, 6P 1.25	a	b	c	d
	O	MC1044	87-099-811-010	PLUG, ADPTR CONV (K)	.	b	.	.
	O	MC1045	8C-NF8-037-010	CABI, REAR EZBC	a	.	.	.
	O	MC1045	8C-NF8-033-010	CABI, REAR KSC	.	b	.	.
	O	MC1045	8C-NF8-032-010	CABI, REAR EZSC	.	.	c	.
	O	MC1045	8C-NF8-050-010	CABI, REAR EZSC RDS	.	.	.	d
	X	MC1046	8C-NF8-642-010	PWB, PT 66 EZ/K/HS	.	b	c	d
	!	MC1047	8C-NF8-605-010	PT, CNF-8 EZ-40W	a	b	c	d
	!	MC1048	87-A80-157-010	AC CORD ASSY, E BLK CC	a	b	c	d
	O	MC1049	87-085-185-010	BUSHING, AC CORD (E) CM-22B	a	b	c	d
	X	MC1050	8C-NF9-203-010	HT-SINK, ASSAY1 C	a	b	c	d
	X	MC1050a	8C-NF7-207-010	HT-SINK, MAINC	a	b	c	d
	X	MC1050b	8C-NF8-213-010	HT-SINK, FIN C	a	b	c	d
	O	MC1051	8C-NF8-014-010	REFLECTOR, ECO	a	b	c	d
	O	MC1052	87-069-033-010	CABLE, TIE	a	b	c	d
	O	MC1053	8B-MA6-675-010	PT, SUB BMA E (VRK)	a	b	c	d
	X	MC1054	8B-NF9-204-010	CUSH, 11-8.5-2	a	b	c	d
	O	MC1055	8C-NF7-009-010	KEY, RDS W/O AG	.	.	.	d
	X	MC1056	8C-ZA3-618-010	SHLD-CASE, CZA-3 EZ S	a	b	c	d
	O	MC1A	87-B10-091-010	UTT2+3-10 W/O SLOT BLK	a	b	c	d
	O	MC1B	87-721-096-410	QT2+3-10 W/O SLOT	a	b	c	d
	O	MC1C	87-NF4-224-010	S-SCREW, IT3B+3-8 CU	a	b	c	d
	O	MC1D	88-AR1-217-010	S-SCREW, BFT2+3-8	a	b	c	d
	O	MC1E	87-078-200-010	S-SCREW, ITC+4-8 R	a	b	c	d
	O	MC1F	87-067-703-010	BVT2+3-10 W/O SLOT	a	b	c	d
	O	MC1G	87-067-689-010	BVTT+3-8	a	b	c	d
	O	MC1H	87-B10-315-010	BVIT3B+3-8 R W/O	a	b	c	d

COLOR NAME TABLE

Basic color symbol	Color	Basic color symbol	Color	Basic color symbol	Color
B	Black	C	Cream	D	Orange
G	Green	H	Gray	L	Blue
LT	Transparent Blue	N	Gold	P	Pink
R	Red	S	Silver	ST	Titan Silver
T	Brown	V	Violet	W	White
WT	Transparent White	Y	Yellow	YT	Transparent Yellow
LM	Metallic Blue	LL	Light Blue	GT	Transparent Green
LD	Dark Blue	DT	Transparent Orange	GM	Metallic Green
YM	Metallic Yellow	DM	Metallic Orange	PT	Transparent Pink
LA	Aqua Blue	GL	Light Green	HT	Transparent Gray
HM	Metallic Gray	NH	Champagne Gold	M	Wood Pattern

TAPE MECHANISM EXPLODED VIEW



TAPE MECHANISM PARTS LIST

! = Δ SAFETY PARTS
C = Components marked

All components used on this model at the production line are shown in this service manual.

However, please note that not all components will be available as spare parts for after-sales service.

Components marked S and O are designated as spare parts for service and will be stocked at the spare parts centers.

Components marked X and R are not designated as spare parts for after sales service, and will not be stocked at the spare parts centers.

UNIT-NAME	! C	REF-NO	PARTS-NO	PARTS-NAME	SUFFIX&MODEL
					6ZM-3 YPR4NC
	O	ST1001	82-ZM1-234-310	FLY-WHL, L ASSY	a
	X	ST1001a	82-ZM1-348-110	FLY-WHL, L W	a
	X	ST1001b	82-ZM1-236-010	CAPSTAN, 2-41.5	a
	O	ST1002	82-ZM3-305-310	GEAR, CAM M2	a
	O	ST1003	82-ZM1-226-010	GEAR, REW	a
	O	ST1004	82-ZM1-216-510	GEAR, REEL	a
	O	ST1005	09-001-420-010	FLY-WHL, R ASSY	a
	X	ST1005a	82-ZM3-338-310	FLY-WHL, R3W	a
	X	ST1005b	82-ZM1-239-010	CAPSTAN, 2.2-41.7	a
	O	ST1006	82-ZM1-225-210	GEAR, FR	a
	O	ST1007	82-ZM3-306-110	LVR, FR M2	a
	O	ST1008	82-ZM3-333-310	SLIP DISK ASSY 2	a
	X	ST1008a	82-ZM3-332-310	PULLEY, FR 2	a
	X	ST1008b	82-ZM1-230-110	GEAR, TAKE UP	a
	X	ST1008c	82-ZM1-231-010	CLR, SLIP	a
	X	ST1008d	82-ZM1-232-010	FELT, DIA 8.4-13-1	a
	X	ST1008e	82-ZM1-233-110	SPR-C, SLIP	a
	O	ST1009	82-ZM1-322-010	SPR-T, FR 60	a
	O	ST1010	82-ZM1-220-210	GEAR, IDLER	a
	O	ST1011	82-ZM3-616-010	RING MAGNET 4	a
					6ZM-3 YPR4NC
	O	ST1012	82-ZM1-227-310	LVR, TRIG	a
	O	ST1013	82-ZM1-265-310	SPR-E, TRIG	a
	X	ST1014	85-ZM3-201-210	PLATE, SHLD M3	a
	O	ST1015	82-ZM1-237-610	FLY-WHL ASSY, R	a
	X	ST1015a	82-ZM1-349-110	FLY-WHL, RW	a
	X	ST1015b	82-ZM1-239-010	CAPSTAN, 2.2-41.7	a
	O	ST1016	86-ZM3-210-010	BELT, PS	a
	O	ST1017	82-ZM3-221-210	PULLEY, MOT 2M	a
	O	ST1018	86-ZM3-203-010	HLDR, MOT S	a
	O	ST1019	86-ZM1-206-010	BELT, MAIN L	a
	O	ST1020	82-ZM3-627-010	SOL ASSY, 27 SO	a
	X	ST1020a	82-ZM3-629-010	HLDR, BOBBIN SOL SO	a
	X	ST1020b	82-ZM3-630-010	YOKE, SOL SO	a
	X	ST1020c	82-ZM3-631-010	SHAFT, CORE SOL SO	a
	X	ST1020d	82-ZM3-632-010	SHAFT, PLUNGER SOL SO	a
	X	ST1020e	82-ZM3-633-010	TERMINAL, SOL SO	a
	O	ST1021	82-ZM3-335-310	PULLEY, COUPLER M3	a
	O	ST1022	86-ZM3-215-110	CHAS ASSY, RS	a
	X	ST1022a	82-ZM1-317-210	OILLESS-BRG 2.2RN	a
	X	ST1022b	82-ZM1-318-210	OILLESS-BRG 2LN	a
					6ZM-3 YPR4NC
	X	ST1022c	82-ZM3-302-610	OUT-SERT ASSY, M2	a
	X	ST1022d	82-ZM3-303-210	CHAS, M2	a
	O	ST1023	82-ZM1-258-210	SPR-T, PINCH L	a
	O	ST1024	82-ZM3-348-010	LEVER ASSY, PINCH YL	a
	X	ST1024a	82-ZM3-349-010	LEVER, PINCH YL	a
	X	ST1024b	82-ZM3-345-010	ROLLER ASSY, Y	a
	X	ST1024c	82-ZM3-347-010	ROLLER, RUBBER Y	a
	X	ST1024d	82-ZM3-346-010	CLR, ROLLER Y	a
	O	ST1025	82-ZM1-266-310	LVR, DIR	a
	O	ST1026	82-ZM1-214-010	SPR-T, DIR	a
	O	ST1027	82-ZM1-333-210	PLATE, LINK2	a
	O	ST1028	82-ZM3-339-110	SHAFT, COUPLER N3	a
	O	ST1029	82-ZM1-255-310	SPR-E, LVR DIR	a
	O	ST1030	82-ZM1-285-410	SPR-C, BT L	a
	O	ST1031	82-ZM1-222-310	LVR, PLAY	a
	O	ST1032	82-ZM1-217-410	REEL, TABLE	a
	O	ST1033	82-ZM1-244-510	SPR-C, BT	a
	O	ST1034	82-ZM1-257-010	SPR-T, CAS	a
	O	ST1035	82-ZM1-242-010	LVR, CAS	a
	O	ST1036	82-ZM1-243-010	LVR, STOP	a
					6ZM-3 YPR4NC
	O	ST1037	82-ZM1-240-110	LVR, REC	a
	O	ST1038	82-ZM3-343-010	LEVER ASSY, PINCH YR	a
	X	ST1038a	82-ZM3-344-010	LEVER, PINCH YR	a
	X	ST1038b	82-ZM3-345-010	ROLLER ASSY, Y	a
	X	ST1038c	82-ZM3-346-010	CLR, ROLLER Y	a
	X	ST1038d	82-ZM3-347-010	ROLLER, RUBBER Y	a
	O	ST1039	86-ZM3-204-010	SPR-T, PINCH S	a
	O	ST1040	82-ZM1-208-310	HLDR, HEAD	a
	O	ST1041	82-ZM1-219-110	SPR-T, LINK	a
	O	ST1042	82-ZM1-210-110	GEAR, H T	a
	O	ST1043	82-ZM3-353-010	SPR-T, HEAD 2	a
	O	ST1044	82-ZM1-207-910	GUIDE, TAPE	a
	O	ST1045	82-ZM1-314-110	PLATE, HEAD	a
	O	ST1046	87-A92-196-010	HEAD, PH HADKH2604A FPC	a
	O	ST1046a	85-ZM3-602-010	PWB, FLEX A	a
	O	ST1047	82-ZM1-218-010	SPR-E, HB	a
	O	ST1048	82-ZM1-206-910	CHAS, HEAD	a
	O	ST1049	86-ZM3-214-110	BELT, SBU RR	a
	O	ST1050	82-ZM1-338-110	BELT, FR 4	a
	O	ST1051	87-A92-195-010	HEAD, RPH HASVH5507A	a

! = Δ SAFETY PARTS
 C = Components marked

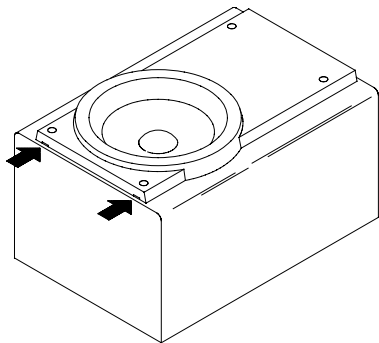
All components used on this model at the production line are shown in this service manual.
 However, please note that not all components will be available as spare parts for after-sales service.
 Components marked S and O are designated as spare parts for service and will be stocked at the spare parts centers.
 Components marked X and R are not designated as spare parts for after sales service, and will not be stocked at the spare parts centers.

UNIT-NAME	! C	REF-NO	PARTS-NO	PARTS-NAME	SUFFIX&MODEL
					6ZM-3
					YPR4NC
	O	ST1052	86-ZM3-222-010	SPR-C,RPH S2	a
	O	ST1053	86-ZM3-202-210	BASE,HEAD S	a
	X	ST1054	82-ZM1-245-210	HLDR,IC	a
	O	ST1055	86-ZM3-605-110	CONN ASSY,8P -RPB	a
	O	ST1056	82-ZM1-259-310	SPR-T,PINCH R	a
	O	ST1057	86-ZM3-201-010	CHAS,HEAD S	a
	O	ST1058	82-ZM1-269-210	SPR-T,BRG	a
	O	ST1059	82-ZM1-288-010	SH,1.63-3.2-0.5 SLT	a
	X	ST1060	86-ZM3-602-110	PWB,MAIN S	a
	X	ST1061	86-ZM3-603-110	PWB,HEAD S	a
	O	ST1062	85-MA2-615-010	CONN ASSY,3P PH	a
	O	ST1063	87-069-033-010	CABLE,TIE	a
	O	ST1064	87-A92-321-010	MOT,SHU2L 60	a
	O	ST1A	86-ZM3-207-010	S-SCREW,RPH	a
	O	ST1B	86-ZM3-209-010	S-SCREW,AZIMUTH S	a
	O	ST1C	87-761-073-410	VFT2+2.6-6 W/O SLOT	a
	O	ST1D	82-ZM3-222-010	S-SCREW,SHILD PLATE	a
	O	ST1E	87-251-071-410	U+2.6-4	a
	O	ST1F	80-ZM6-207-010	V+1.6-7	a
	O	ST1G	86-ZM4-206-110	S-SCREW,AZIMUTH L	a
					6ZM-3
					YPR4NC
	O	ST1H	85-ZM3-202-010	S-SCREW,TG	a
	O	ST1I	82-ZM3-334-010	PW,2.16-6-0.4	a
	O	ST1J	80-ZM6-243-010	SH 1.75-3.6-0.5 SLT	a
	O	ST1K	87-B10-043-010	W-P,0.99-4-0.25 SLT	a
	O	ST1L	86-ZM3-213-010	S-SCREW,HLDR MOT S	a

GENERAL SPEAKER DISASSEMBLY INSTRUCTIONS (FOR REFERENCE)

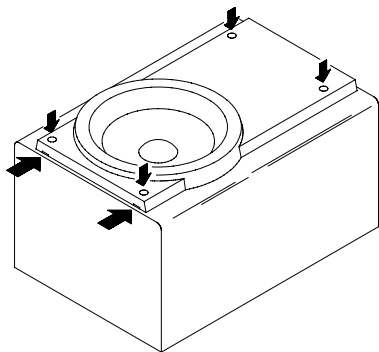
Type.1

Insert a flat-bladed screwdriver into the position indicated by the arrows and remove the panel. Remove the screws of each speaker unit and then remove the speaker units.



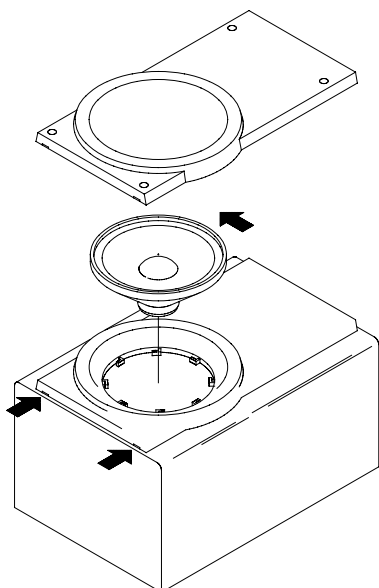
Type.2

Remove the grill frame and four pieces of rubber caps by pulling out with a flat-bladed screwdriver. Remove the screws from hole where installed rubber caps. Insert a flat-bladed screwdriver into the position indicated by the arrows and remove the panel. Remove the screws of each speaker unit and then remove the speaker units.

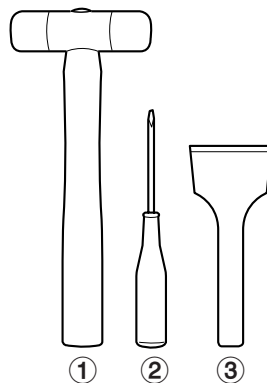


Type.3

Insert a flat-bladed screwdriver into the position indicated by the arrows and remove the panel. Turn the speaker unit to counter-clockwise direction while inserting a flat-bladed screwdriver into one of the hollows around speaker unit, and then remove the speaker unit. After replacing the speaker unit, install it turning to clockwise direction until "click" sound comes out.



Type.4



TOOLS

- ① Plastic head hammer
- ② (⊖) flat head screwdriver
- ③ Cut chisel

How to Remove the PANEL, FR

1. Insert the (⊖) flat head screwdriver tip into the gap between the PANEL, FR and the PANEL, SPKR. Tap the head of the (⊖) flat head screwdriver with the plastic hammer head, and create the clearance as shown in Fig-1.
2. Insert the cut chisel in the clearance, and tap the head of the cut chisel with plastic hammer as shown in Fig-2, to remove the PANEL, FR.
3. Place the speaker horizontally. Tap head of the cut chisel with plastic hammer as shown in Fig-3, and remove the PANEL, FR completely.

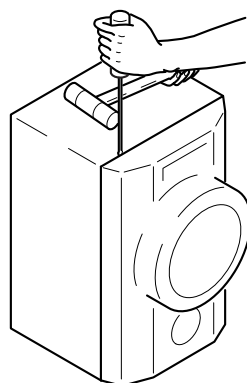


Fig-1

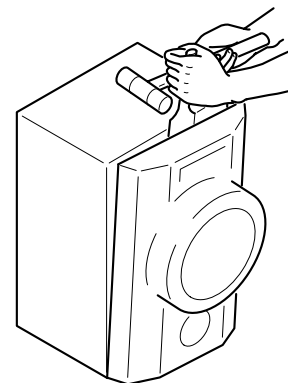


Fig-2

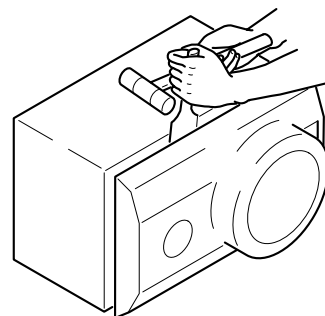


Fig-3

How to Attach the PANEL, FR

Attach the PANEL, FR to the PANEL, SPKR. Tap the four corners of the PANEL, FR with the plastic hammer to fit the PANEL, FR into the PANEL, SPKR completely.

SPEAKER PARTS LIST

- ! = Δ SAFETY PARTS
- C = Components marked

All components used on this model at the production line are shown in this service manual.
 However, please note that not all components will be available as spare parts for after-sales service.
 Components marked S and O are designated as spare parts for service and will be stocked at the spare parts centers.
 Components marked X and R are not designated as spare parts for after sales service, and will not be stocked at the spare parts centers.

UNIT-NAME	! C	REF-NO	PARTS-NO	PARTS-NAME	SUFFIX&MODEL	
					SX-NR30	SX-NR37
					YSN	YBN
OTHERS	O	1	88-NSK-610-010	SPKR, CERAMIC ASSY	a	b
OTHERS	O	2	8A-NSJ-006-010	BADGE, AIWA S35	a	b
OTHERS	O	3	8B-NSH-612-010	CORD, SPKR	a	b
OTHERS	O	4	8B-NSK-604-010	SPKR, T 60	a	b
OTHERS	O	5	8C-NS6-003-010	PROTECTOR, W	a	b
OTHERS	O	6	8C-NS7-604-010	SPKR, W 160 25/4	a	b
OTHERS	O	7	8C-NS8-001-010	PANEL, FR L	a	.
OTHERS	O	8	8C-NS8-002-010	PANEL, FR R	a	.
OTHERS	O	9	8C-NS8-003-010	PANEL, BA L	a	b
OTHERS	O	10	8C-NS8-004-010	PANEL, BA R	a	b
OTHERS	O	11	8C-NS8-009-010	PANEL, FR L B	.	b
OTHERS	O	12	8C-NS8-010-010	PANEL, FR R B	.	b
OTHERS	O	13	8Z-NS3-026-010	CORD, BUSH L	a	b

ACCESSORIES PARTS LIST

! = SAFETY PARTS
 C = Components marked

All components used on this model at the production line are shown in this service manual.
 However, please note that not all components will be available as spare parts for after-sales service.
 Components marked S and O are designated as spare parts for service and will be stocked at the spare parts centers.
 Components marked X and R are not designated as spare parts for after sales service, and will not be stocked at the spare parts centers.

UNIT-NAME	! C	REF-NO	PARTS-NO	PARTS-NAME	SUFFIX&MODEL			
					CX-NR30	CX-NR30	CX-NR31	CX-NR37
ACCESSORY	O	1	87-A92-150-010	ANT, LOOP AM NO-CONT	KSC	EZSC	EZSC	EZBC
ACCESSORY	O	2	87-A92-346-010	ANT, WIRE FM (FASTEN)	a	b	c	d
ACCESSORY	O	3	8C-NF8-703-010	RC UNIT, RC-CAS10 (SMK)	a	b	c	d
PRINTED DU	O	4	8C-NF8-905-010	IB, K(E) FM NSX-R30	a	.	.	.
PRINTED DU	O	4	8C-NF8-906-010	IB, EZ (9L) FM NSX-R30/R37	.	b	.	d
PRINTED DU	O	4	8C-NF8-907-010	IB, EZ (9L) FM NSX-R31	.	.	c	.

OTHER PARTS LIST (CX-NR30/31/37)

! = SAFETY PARTS
 C = Components marked

All components used on this model at the production line are shown in this service manual.
 However, please note that not all components will be available as spare parts for after-sales service.
 Components marked S and O are designated as spare parts for service and will be stocked at the spare parts centers.
 Components marked X and R are not designated as spare parts for after sales service, and will not be stocked at the spare parts centers.

UNIT-NAME	! C	REF-NO	PARTS-NO	PARTS-NAME	SUFFIX&MODEL			
					CX-NR30	CX-NR30	CX-NR31	CX-NR37
					KSC	EZSC	EZSC	EZBC
LBL, POP	X		8C-NF8-974-010	LBL, POP KL	a	b	.	d
LBL, POP	X		8C-NF8-975-010	LBL, POP KR	a	b	.	d
LBL, POP	X		8C-NF8-978-010	LBL, POP EZL	.	.	c	.
LBL, POP	X		8C-NF8-979-010	LBL, POP EZR	.	.	c	.
PACKING	X		87-B40-098-010	BAG, PV 0.025-650-750 PL	a	b	c	d
PACKING	X		8C-NF8-851-010	CUSHION, FRONT USC	a	b	c	d
PACKING	X		8C-NF8-852-010	CUSHION, REAR USC	a	b	c	d
PACKING	X		92-370-716-010	SH, FOAMED-MAT 0.31-700-500	a	b	c	d
PACKING	X		87-B40-057-010	BAG, PP 0.03-150-200	.	b	c	d
PRINTED DU	X		87-B40-085-010	BAG, PV 0.04-200-350 PL	a	b	c	d
PRINTED DU	X		87-B50-079-010	LIST, FACILITY (B) -0007	a	b	c	d
PRINTED DU	X		87-056-168-010	SH, CAUTION INF-WARR (EC)	a	b	c	d
	X		87-B40-281-010	LBL, BAR-CODE A 35X8	a	b	c	d
	X		87-057-995-010	LBL, CAUTION EFSD	a	b	c	d
	X		87-057-961-010	LBL, CAUTION TRIANGLE	a	b	c	d
	X		8C-NF8-045-010	SH, FL	a	b	c	d
	X		87-064-080-010	BINDER, WIRE	a	b	c	d

OTHER PARTS LIST (SX-NR30/37)

- ! = Δ SAFETY PARTS
- C = Components marked

All components used on this model at the production line are shown in this service manual.
 However, please note that not all components will be available as spare parts for after-sales service.
 Components marked S and O are designated as spare parts for service and will be stocked at the spare parts centers.
 Components marked X and R are not designated as spare parts for after sales service, and will not be stocked at the spare parts centers.

UNIT-NAME	! C	REF-NO	PARTS-NO	PARTS-NAME	SUFFIX&MODEL	
					SX-NR30	SX-NR37
					YSN	YBN
ASS'Y CODE	X		PC-NS8-943-070	SX-SNR30 YSN	a	.
ASS'Y CODE	X		PC-NS8-911-070	SX-SNR37 YBN	.	b
OTHERS	X		8C-NS8-008-010	LBL,SPEC YS	a	.
OTHERS	X		8C-NS8-011-010	LBL,SPEC YS 37	.	b
PACKING DU	X		8C-NS8-851-010	CUSHION,ASSY TTC	a	b

アイワ株式会社 〒110-8710 東京都台東区池之端1-2-11 ☎03(3827)3111 (代表)
AIWA CO.,LTD. 2-11, IKENOHATA 1-CHOME, TAITO-KU, TOKYO 110-8710, JAPAN TEL:03 (3827) 3111

9620450 0251431