



**NSX-R60** LH(S)

# SERVICE MANUAL

---

CD STEREO  
CASSETTE RECEIVER

BASIC TAPE MECHANISM : 6ZM-3 YPR4NC  
BASIC CD MECHANISM : BZG-2 ZD5GNC

---

- Replace this Service manual with "Revision Publishing" when it is issued.

**aiwa**  
S/M Code No. 09-021-453-4T2

SIMPLE

DATA

# ELECTRICAL PARTS LIST

! = SAFETY PARTS

C = Components marked

All components used on this model at the production line are shown in this service manual.

However, please note that not all components will be available as spare parts for after-sales service.

Components marked S and O are designated as spare parts for service and will be stocked at the spare parts centers.

Components marked X and R are not designated as spare parts for after sales service, and will not be stocked at the spare parts centers.

UNIT-NAME	!	C	REF-NO	PARTS-NO	PARTS-NAME	SUFFIX&MODEL
						CX-SNR60 LHSC
FUNC/TAPE/E.VR		O	C	0301 87-012-275-080	C-CAP,U 1200P-50 K B GRM	a
FUNC/TAPE/E.VR		O	C	0302 87-012-275-080	C-CAP,U 1200P-50 K B GRM	a
FUNC/TAPE/E.VR		O	C	0303 87-012-275-080	C-CAP,U 1200P-50 K B GRM	a
FUNC/TAPE/E.VR		O	C	0304 87-012-275-080	C-CAP,U 1200P-50 K B GRM	a
FUNC/TAPE/E.VR		O	C	0305 87-A10-039-080	C-CAP,U 470P-50 J CH	a
FUNC/TAPE/E.VR		O	C	0310 87-012-274-080	C-CAP,U 1000P-50 K B	a
FUNC/TAPE/E.VR		O	C	0363 87-010-759-080	C-CAP,U 0.1-25 Z F	a
FUNC/TAPE/E.VR		O	C	0451 87-010-759-080	C-CAP,U 0.1-25 Z F	a
FUNC/TAPE/E.VR		O	C	0452 87-010-406-080	CAP,E 22-50 M 11L SME	a
FUNC/TAPE/E.VR		O	C	0453 87-012-279-080	C-CAP,U 2700P-50 K B GRM	a
FUNC/TAPE/E.VR		O	C	0454 87-012-279-080	C-CAP,U 2700P-50 K B GRM	a
FUNC/TAPE/E.VR		O	C	0455 87-012-279-080	C-CAP,U 2700P-50 K B GRM	a
FUNC/TAPE/E.VR		O	C	0456 87-012-286-080	C-CAP,U 0.01-25 K B	a
FUNC/TAPE/E.VR		O	C	0457 87-A12-361-080	CAP,M 5600P-100 J CP	a
FUNC/TAPE/E.VR		O	C	0458 87-012-278-080	C-CAP,U 2200P-50 K B	a
FUNC/TAPE/E.VR		O	C	0459 87-012-271-080	C-CAP,U 560P-50 K B	a
FUNC/TAPE/E.VR		O	C	0460 87-A12-317-080	C-CAP,U 0.1-50 Z F	a
FUNC/TAPE/E.VR		O	C	0461 87-012-158-080	C-CAP,S 390P-50 J CH GRM	a
FUNC/TAPE/E.VR		O	C	0462 87-012-158-080	C-CAP,S 390P-50 J CH GRM	a
FUNC/TAPE/E.VR		O	C	0463 87-010-759-080	C-CAP,U 0.1-25 Z F	a
						CX-SNR60 LHSC
FUNC/TAPE/E.VR		O	C	0464 87-012-278-080	C-CAP,U 2200P-50 K B	a
FUNC/TAPE/E.VR		O	C	0601 87-012-188-080	C-CAP,U 47P-50 J CH	a
FUNC/TAPE/E.VR		O	C	0602 87-012-188-080	C-CAP,U 47P-50 J CH	a
FUNC/TAPE/E.VR		O	C	0603 87-010-263-080	CAP,E 100-10 M 11L SME	a
FUNC/TAPE/E.VR		O	C	0604 87-010-263-080	CAP,E 100-10 M 11L SME	a
FUNC/TAPE/E.VR		O	C	0605 87-A12-362-080	CAP,M 6800P-100 J CP	a
FUNC/TAPE/E.VR		O	C	0606 87-A12-362-080	CAP,M 6800P-100 J CP	a
FUNC/TAPE/E.VR		O	C	0607 87-012-270-080	C-CAP,U 470P-50 K B	a
FUNC/TAPE/E.VR		O	C	0608 87-012-270-080	C-CAP,U 470P-50 K B	a
FUNC/TAPE/E.VR		O	C	0609 87-010-401-080	CAP,E 1-50 M 11L SME	a
FUNC/TAPE/E.VR		O	C	0610 87-010-401-080	CAP,E 1-50 M 11L SME	a
FUNC/TAPE/E.VR		O	C	0611 87-A12-790-080	C-CAP,U 560P-50 J CH	a
FUNC/TAPE/E.VR		O	C	0612 87-A12-790-080	C-CAP,U 560P-50 J CH	a
FUNC/TAPE/E.VR		O	C	0613 87-012-280-080	C-CAP,U 3300P-50 K B	a
FUNC/TAPE/E.VR		O	C	0614 87-012-280-080	C-CAP,U 3300P-50 K B	a
FUNC/TAPE/E.VR		O	C	0615 87-010-545-080	CAP,E 0.22-50 M 11L SME	a
FUNC/TAPE/E.VR		O	C	0616 87-010-545-080	CAP,E 0.22-50 M 11L SME	a
FUNC/TAPE/E.VR		O	C	0617 87-010-545-080	CAP,E 0.22-50 M 11L SME	a
FUNC/TAPE/E.VR		O	C	0618 87-010-545-080	CAP,E 0.22-50 M 11L SME	a
FUNC/TAPE/E.VR		O	C	0625 87-012-198-080	C-CAP,U 180P-50 J CH	a
						CX-SNR60 LHSC
FUNC/TAPE/E.VR		O	C	0626 87-012-198-080	C-CAP,U 180P-50 J CH	a
FUNC/TAPE/E.VR		O	C	0627 87-012-284-080	C-CAP,U 6800P-50 K B GRM	a
FUNC/TAPE/E.VR		O	C	0628 87-012-284-080	C-CAP,U 6800P-50 K B GRM	a
FUNC/TAPE/E.VR		O	C	0629 87-012-286-080	C-CAP,U 0.01-25 K B	a
FUNC/TAPE/E.VR		O	C	0630 87-012-286-080	C-CAP,U 0.01-25 K B	a
FUNC/TAPE/E.VR		O	C	0631 87-012-278-080	C-CAP,U 2200P-50 K B	a
FUNC/TAPE/E.VR		O	C	0632 87-012-278-080	C-CAP,U 2200P-50 K B	a
FUNC/TAPE/E.VR		O	C	0641 87-010-401-080	CAP,E 1-50 M 11L SME	a
FUNC/TAPE/E.VR		O	C	0642 87-010-401-080	CAP,E 1-50 M 11L SME	a
FUNC/TAPE/E.VR		O	C	0651 87-A12-063-080	CAP,E 220-10 SMG	a
FUNC/TAPE/E.VR		O	C	0652 87-010-260-080	CAP,E 47-25 M 11L SME	a
FUNC/TAPE/E.VR		O	C	0655 87-010-404-080	CAP,E 4.7-50 M 11L SME	a
FUNC/TAPE/E.VR		O	C	0656 87-010-784-080	C-CAP,U 0.012-25 K B	a
FUNC/TAPE/E.VR		O	C	0663 87-010-759-080	C-CAP,U 0.1-25 Z F	a
FUNC/TAPE/E.VR		O	C	0664 87-010-759-080	C-CAP,U 0.1-25 Z F	a
FUNC/TAPE/E.VR		O	C	0665 87-A10-504-080	C-CAP,U 0.047-16 K B	a
FUNC/TAPE/E.VR		O	C	0666 87-A10-504-080	C-CAP,U 0.047-16 K B	a
FUNC/TAPE/E.VR		O	C	0677 87-012-286-080	C-CAP,U 0.01-25 K B	a
FUNC/TAPE/E.VR		O	C	0681 87-A10-504-080	C-CAP,U 0.047-16 K B	a
FUNC/TAPE/E.VR		O	C	0682 87-010-787-080	C-CAP,U 0.022-25 K B	a
						CX-SNR60 LHSC
FUNC/TAPE/E.VR		O	C	0683 87-010-759-080	C-CAP,U 0.1-25 Z F	a
FUNC/TAPE/E.VR		O	C	0684 87-010-405-080	CAP,E 10-50 M 11L SME	a
FUNC/TAPE/E.VR		O	C	0685 87-010-759-080	C-CAP,U 0.1-25 Z F	a
FUNC/TAPE/E.VR		O	C	0686 87-010-405-080	CAP,E 10-50 M 11L SME	a
FUNC/TAPE/E.VR		O	C	0687 87-A11-058-080	C-CAP,U 0.22-10 K B	a
FUNC/TAPE/E.VR		O	C	0688 87-A11-058-080	C-CAP,U 0.22-10 K B	a
FUNC/TAPE/E.VR		O	C	0689 87-010-759-080	C-CAP,U 0.1-25 Z F	a
FUNC/TAPE/E.VR		O	C	0690 87-010-759-080	C-CAP,U 0.1-25 Z F	a
FUNC/TAPE/E.VR		X	CLP0303	87-A60-884-010	PIN,DIAL COATING-SHS	a
FUNC/TAPE/E.VR		X	CLP0304	87-A60-884-010	PIN,DIAL COATING-SHS	a
FUNC/TAPE/E.VR		O	CN	0301 87-A60-620-010	CONN,3P V 2MM JMT	a
FUNC/TAPE/E.VR		O	CN	0302 87-A60-625-010	CONN,8P V 2MM JMT	a
FUNC/TAPE/E.VR	!	O	CN	0601 87-099-719-010	CONN,30P H BLK TYK-B(X)	a
FUNC/TAPE/E.VR	!	O	CN	0602 87-099-194-010	CONN,6P V BLK 6216	a
FUNC/TAPE/E.VR	!	O	CN	0603 87-099-667-010	CONN,8P V TUC-P08P-B1	a
FUNC/TAPE/E.VR		O	CN	0681 87-A61-747-010	CONN,8P H GRY TUC-P08X-C1	a
FUNC/TAPE/E.VR		S	D	0301 87-A40-269-080	C-DIODE,MC2836	a
FUNC/TAPE/E.VR		S	D	0661 87-A40-438-080	ZENER,MTZJ4.7A	a
FUNC/TAPE/E.VR		S	D	0662 87-A40-438-080	ZENER,MTZJ4.7A	a
FUNC/TAPE/E.VR		X	FB	0601 88-118-000-080	C-JUMPER,S	a

! =  $\Delta$  SAFTY PARTS  
 C = Components marked

All components used on this model at the production line are shown in this service manual.  
 However, please note that not all components will be available as spare parts for after-sales service.  
 Components marked S and O are designated as spare parts for service and will be stocked at the spare parts centers.  
 Components marked X and R are not designated as spare parts for after sales service, and will not be stocked at the spare parts centers.

UNIT-NAME	! C	REF-NO	PARTS-NO	PARTS-NAME	SUFFIX&MODEL
					CX-SNR60 LHSC
FUNC/TAPE/E.VR	X	FB 0602	88-118-000-080	C-JUMPER,S	a
FUNC/TAPE/E.VR	X	FB 0603	88-100-000-010	PLATING-JW, 0.58 SN95	a
FUNC/TAPE/E.VR	S	IC 0601	87-A22-236-040	C-IC, BD3881FV	a
FUNC/TAPE/E.VR	S	IC 0681	87-A21-419-040	C-IC, NJM14558MD-TE2	a
FUNC/TAPE/E.VR	S	IC 0682	87-017-726-080	C-IC, BU4052BCF	a
FUNC/TAPE/E.VR	O	J 0602	8C-NF8-682-010	JACK, PIN 2P RCA-207	a
FUNC/TAPE/E.VR	X	JR 0301	88-108-000-080	C-JUMPER,U	a
FUNC/TAPE/E.VR	X	JR 0302	88-108-000-080	C-JUMPER,U	a
FUNC/TAPE/E.VR	X	JR 0303	88-108-000-080	C-JUMPER,U	a
FUNC/TAPE/E.VR	X	JR 0304	88-129-000-080	C-JUMPER, 3216	a
FUNC/TAPE/E.VR	X	JR 0305	88-108-000-080	C-JUMPER,U	a
FUNC/TAPE/E.VR	X	JR 0401	88-129-000-080	C-JUMPER, 3216	a
FUNC/TAPE/E.VR	X	JR 0402	88-129-000-080	C-JUMPER, 3216	a
FUNC/TAPE/E.VR	X	JR 0403	88-108-000-080	C-JUMPER,U	a
FUNC/TAPE/E.VR	X	JR 0602	88-108-000-080	C-JUMPER,U	a
FUNC/TAPE/E.VR	X	JR 0603	88-108-000-080	C-JUMPER,U	a
FUNC/TAPE/E.VR	X	JR 0604	88-129-000-080	C-JUMPER, 3216	a
FUNC/TAPE/E.VR	X	JR 0605	88-108-000-080	C-JUMPER,U	a
FUNC/TAPE/E.VR	X	JW 0401	88-100-000-010	PLATING-JW, 0.58 SN95	a
FUNC/TAPE/E.VR	X	JW 0402	88-100-000-010	PLATING-JW, 0.58 SN95	a
					CX-SNR60 LHSC
FUNC/TAPE/E.VR	X	JW 0403	88-100-000-010	PLATING-JW, 0.58 SN95	a
FUNC/TAPE/E.VR	X	JW 0501	88-100-000-010	PLATING-JW, 0.58 SN95	a
FUNC/TAPE/E.VR	X	JW 0601	88-100-000-010	PLATING-JW, 0.58 SN95	a
FUNC/TAPE/E.VR	X	JW 0602	88-100-000-010	PLATING-JW, 0.58 SN95	a
FUNC/TAPE/E.VR	X	JW 0603	88-100-000-010	PLATING-JW, 0.58 SN95	a
FUNC/TAPE/E.VR	X	JW 0604	88-100-000-010	PLATING-JW, 0.58 SN95	a
FUNC/TAPE/E.VR	X	JW 0605	88-100-000-010	PLATING-JW, 0.58 SN95	a
FUNC/TAPE/E.VR	X	JW 0606	88-100-000-010	PLATING-JW, 0.58 SN95	a
FUNC/TAPE/E.VR	X	JW 0607	88-100-000-010	PLATING-JW, 0.58 SN95	a
FUNC/TAPE/E.VR	X	JW 0608	88-100-000-010	PLATING-JW, 0.58 SN95	a
FUNC/TAPE/E.VR	X	JW 0609	88-100-000-010	PLATING-JW, 0.58 SN95	a
FUNC/TAPE/E.VR	X	JW 0610	88-100-000-010	PLATING-JW, 0.58 SN95	a
FUNC/TAPE/E.VR	X	JW 0611	88-100-000-010	PLATING-JW, 0.58 SN95	a
FUNC/TAPE/E.VR	X	JW 0612	88-100-000-010	PLATING-JW, 0.58 SN95	a
FUNC/TAPE/E.VR	X	JW 0613	88-100-000-010	PLATING-JW, 0.58 SN95	a
FUNC/TAPE/E.VR	X	JW 0614	88-100-000-010	PLATING-JW, 0.58 SN95	a
FUNC/TAPE/E.VR	X	JW 0615	88-100-000-010	PLATING-JW, 0.58 SN95	a
FUNC/TAPE/E.VR	X	JW 0616	88-100-000-010	PLATING-JW, 0.58 SN95	a
FUNC/TAPE/E.VR	X	JW 0617	88-100-000-010	PLATING-JW, 0.58 SN95	a
FUNC/TAPE/E.VR	X	JW 0618	88-100-000-010	PLATING-JW, 0.58 SN95	a
					CX-SNR60 LHSC
FUNC/TAPE/E.VR	X	JW 0619	88-100-000-010	PLATING-JW, 0.58 SN95	a
FUNC/TAPE/E.VR	X	JW 0620	88-100-000-010	PLATING-JW, 0.58 SN95	a
FUNC/TAPE/E.VR	X	JW 0621	88-100-000-010	PLATING-JW, 0.58 SN95	a
FUNC/TAPE/E.VR	X	JW 0622	88-100-000-010	PLATING-JW, 0.58 SN95	a
FUNC/TAPE/E.VR	X	JW 0623	88-100-000-010	PLATING-JW, 0.58 SN95	a
FUNC/TAPE/E.VR	X	JW 0624	88-100-000-010	PLATING-JW, 0.58 SN95	a
FUNC/TAPE/E.VR	X	JW 0625	88-100-000-010	PLATING-JW, 0.58 SN95	a
FUNC/TAPE/E.VR	X	JW 0626	88-100-000-010	PLATING-JW, 0.58 SN95	a
FUNC/TAPE/E.VR	X	JW 0627	88-100-000-010	PLATING-JW, 0.58 SN95	a
FUNC/TAPE/E.VR	X	JW 0629	88-100-000-010	PLATING-JW, 0.58 SN95	a
FUNC/TAPE/E.VR	X	JW 0630	88-100-000-010	PLATING-JW, 0.58 SN95	a
FUNC/TAPE/E.VR	X	JW 0631	88-100-000-010	PLATING-JW, 0.58 SN95	a
FUNC/TAPE/E.VR	X	JW 0632	88-100-000-010	PLATING-JW, 0.58 SN95	a
FUNC/TAPE/E.VR	X	JW 0633	88-100-000-010	PLATING-JW, 0.58 SN95	a
FUNC/TAPE/E.VR	X	JW 0634	88-100-000-010	PLATING-JW, 0.58 SN95	a
FUNC/TAPE/E.VR	X	JW 0635	88-100-000-010	PLATING-JW, 0.58 SN95	a
FUNC/TAPE/E.VR	X	JW 0636	88-100-000-010	PLATING-JW, 0.58 SN95	a
FUNC/TAPE/E.VR	X	JW 0637	88-100-000-010	PLATING-JW, 0.58 SN95	a
FUNC/TAPE/E.VR	X	JW 0638	88-100-000-010	PLATING-JW, 0.58 SN95	a
FUNC/TAPE/E.VR	X	JW 0639	88-100-000-010	PLATING-JW, 0.58 SN95	a
					CX-SNR60 LHSC
FUNC/TAPE/E.VR	X	JW 0640	88-100-000-010	PLATING-JW, 0.58 SN95	a
FUNC/TAPE/E.VR	X	JW 0641	88-100-000-010	PLATING-JW, 0.58 SN95	a
FUNC/TAPE/E.VR	O	L 0451	87-007-342-010	COIL, OSC 85KHZ BIAS	a
FUNC/TAPE/E.VR	S	Q 0301	87-A30-091-080	FET, 2SJ460	a
FUNC/TAPE/E.VR	S	Q 0302	87-A30-091-080	FET, 2SJ460	a
FUNC/TAPE/E.VR	S	Q 0303	87-A30-090-080	FET, 2SK2541	a
FUNC/TAPE/E.VR	S	Q 0304	87-A30-090-080	FET, 2SK2541	a
FUNC/TAPE/E.VR	S	Q 0305	87-A30-091-080	FET, 2SJ460	a
FUNC/TAPE/E.VR	S	Q 0306	87-A30-091-080	FET, 2SJ460	a
FUNC/TAPE/E.VR	S	Q 0307	87-A30-090-080	FET, 2SK2541	a
FUNC/TAPE/E.VR	S	Q 0308	87-A30-090-080	FET, 2SK2541	a
FUNC/TAPE/E.VR	S	Q 0309	87-A30-090-080	FET, 2SK2541	a
FUNC/TAPE/E.VR	S	Q 0451	87-A30-492-080	TR, 2SC5343G	a
FUNC/TAPE/E.VR	S	Q 0452	87-A30-076-080	C-TR, 2SC3052F	a
FUNC/TAPE/E.VR	S	Q 0453	89-333-317-880	TR, 2SC3331 (T/U)	a
FUNC/TAPE/E.VR	S	Q 0454	89-333-317-880	TR, 2SC3331 (T/U)	a
FUNC/TAPE/E.VR	S	Q 0601	87-A30-538-040	C-TR, SRA2202S	a
FUNC/TAPE/E.VR	S	Q 0651	87-A30-087-080	C-FET, 2SK2158	a
FUNC/TAPE/E.VR	S	Q 0652	87-A30-087-080	C-FET, 2SK2158	a
FUNC/TAPE/E.VR	S	Q 0653	87-A30-076-080	C-TR, 2SC3052F	a

! =  $\Delta$  SAFTY PARTS  
 C = Components marked

All components used on this model at the production line are shown in this service manual.  
 However, please note that not all components will be available as spare parts for after-sales service.  
 Components marked S and O are designated as spare parts for service and will be stocked at the spare parts centers.  
 Components marked X and R are not designated as spare parts for after sales service, and will not be stocked at the spare parts centers.

UNIT-NAME	! C	REF-NO	PARTS-NO	PARTS-NAME	SUFFIX&MODEL
					CX-SNR60 LHSC
FUNC/TAPE/E.VR	X R	0301	88-108-393-080	C-RES,U 39K-1/16W J	a
FUNC/TAPE/E.VR	X R	0302	88-108-393-080	C-RES,U 39K-1/16W J	a
FUNC/TAPE/E.VR	X R	0303	88-108-823-080	C-RES,U 82K-1/16W J	a
FUNC/TAPE/E.VR	X R	0304	88-108-823-080	C-RES,U 82K-1/16W J	a
FUNC/TAPE/E.VR	X R	0305	88-108-224-080	C-RES,U 220K-1/16W J	a
FUNC/TAPE/E.VR	X R	0451	88-108-222-080	C-RES,U 2.2K-1/16W J	a
FUNC/TAPE/E.VR	X R	0453	88-108-472-080	C-RES,U 4.7K-1/16W J	a
FUNC/TAPE/E.VR	X R	0454	88-121-829-080	RES,8.2-1/8W J	a
FUNC/TAPE/E.VR	X R	0455	88-108-183-080	C-RES,U 18K-1/16W J	a
FUNC/TAPE/E.VR	X R	0456	88-108-183-080	C-RES,U 18K-1/16W J	a
FUNC/TAPE/E.VR	X R	0457	88-108-104-080	C-RES,U 100K-1/16W J	a
FUNC/TAPE/E.VR	X R	0458	88-108-563-080	C-RES,U 56K-1/16W J	a
FUNC/TAPE/E.VR	X R	0459	88-108-472-080	C-RES,U 4.7K-1/16W J	a
FUNC/TAPE/E.VR	X R	0469	88-108-150-080	C-RES,U 15-1/16W J	a
FUNC/TAPE/E.VR	X R	0601	88-108-680-080	C-RES,U 68-1/16W J	a
FUNC/TAPE/E.VR	X R	0602	88-108-680-080	C-RES,U 68-1/16W J	a
FUNC/TAPE/E.VR	X R	0603	88-108-394-080	C-RES,U 390K-1/16W J	a
FUNC/TAPE/E.VR	X R	0604	88-108-394-080	C-RES,U 390K-1/16W J	a
FUNC/TAPE/E.VR	X R	0605	88-108-122-080	C-RES,U 1.2K-1/16W J	a
FUNC/TAPE/E.VR	X R	0606	88-108-122-080	C-RES,U 1.2K-1/16W J	a
					CX-SNR60 LHSC
FUNC/TAPE/E.VR	X R	0607	88-108-183-080	C-RES,U 18K-1/16W J	a
FUNC/TAPE/E.VR	X R	0608	88-108-183-080	C-RES,U 18K-1/16W J	a
FUNC/TAPE/E.VR	X R	0613	88-108-273-080	C-RES,U 27K-1/16W J	a
FUNC/TAPE/E.VR	X R	0614	88-108-273-080	C-RES,U 27K-1/16W J	a
FUNC/TAPE/E.VR	X R	0615	88-108-153-080	C-RES,U 15K-1/16W J	a
FUNC/TAPE/E.VR	X R	0616	88-108-153-080	C-RES,U 15K-1/16W J	a
FUNC/TAPE/E.VR	X R	0617	88-108-153-080	C-RES,U 15K-1/16W J	a
FUNC/TAPE/E.VR	X R	0619	88-108-153-080	C-RES,U 15K-1/16W J	a
FUNC/TAPE/E.VR	X R	0621	88-108-332-080	C-RES,U 3.3K-1/16W J	a
FUNC/TAPE/E.VR	X R	0622	88-108-332-080	C-RES,U 3.3K-1/16W J	a
FUNC/TAPE/E.VR	X R	0623	88-108-332-080	C-RES,U 3.3K-1/16W J	a
FUNC/TAPE/E.VR	X R	0624	88-108-332-080	C-RES,U 3.3K-1/16W J	a
FUNC/TAPE/E.VR	X R	0625	88-108-682-080	C-RES,U 6.8K-1/16W J	a
FUNC/TAPE/E.VR	X R	0626	88-108-682-080	C-RES,U 6.8K-1/16W J	a
FUNC/TAPE/E.VR	X R	0627	88-108-222-080	C-RES,U 2.2K-1/16W J	a
FUNC/TAPE/E.VR	X R	0628	88-108-222-080	C-RES,U 2.2K-1/16W J	a
FUNC/TAPE/E.VR	X R	0629	88-108-103-080	C-RES,U 10K-1/16W J	a
FUNC/TAPE/E.VR	X R	0630	88-108-103-080	C-RES,U 10K-1/16W J	a
FUNC/TAPE/E.VR	X R	0631	88-108-222-080	C-RES,U 2.2K-1/16W J	a
FUNC/TAPE/E.VR	X R	0632	88-108-222-080	C-RES,U 2.2K-1/16W J	a
					CX-SNR60 LHSC
FUNC/TAPE/E.VR	X R	0633	88-108-272-080	C-RES,U 2.7K-1/16W J	a
FUNC/TAPE/E.VR	X R	0634	88-108-272-080	C-RES,U 2.7K-1/16W J	a
FUNC/TAPE/E.VR	X R	0635	88-108-102-080	C-RES,U 1K-1/16W J	a
FUNC/TAPE/E.VR	X R	0636	88-108-102-080	C-RES,U 1K-1/16W J	a
FUNC/TAPE/E.VR	X R	0637	88-108-102-080	C-RES,U 1K-1/16W J	a
FUNC/TAPE/E.VR	X R	0638	88-108-102-080	C-RES,U 1K-1/16W J	a
FUNC/TAPE/E.VR	X R	0639	88-108-183-080	C-RES,U 18K-1/16W J	a
FUNC/TAPE/E.VR	X R	0640	88-108-183-080	C-RES,U 18K-1/16W J	a
FUNC/TAPE/E.VR	X R	0641	88-121-223-080	RES,22K-1/8W J	a
FUNC/TAPE/E.VR	X R	0642	88-108-222-080	C-RES,U 2.2K-1/16W J	a
FUNC/TAPE/E.VR	X R	0643	88-108-104-080	C-RES,U 100K-1/16W J	a
FUNC/TAPE/E.VR	X R	0644	88-108-104-080	C-RES,U 100K-1/16W J	a
FUNC/TAPE/E.VR	X R	0645	88-108-472-080	C-RES,U 4.7K-1/16W J	a
FUNC/TAPE/E.VR	X R	0646	88-108-472-080	C-RES,U 4.7K-1/16W J	a
FUNC/TAPE/E.VR	X R	0649	88-108-332-080	C-RES,U 3.3K-1/16W J	a
FUNC/TAPE/E.VR	X R	0650	88-108-332-080	C-RES,U 3.3K-1/16W J	a
FUNC/TAPE/E.VR	X R	0651	88-108-101-080	C-RES,U 100-1/16W J	a
FUNC/TAPE/E.VR	X R	0652	88-108-101-080	C-RES,U 100-1/16W J	a
FUNC/TAPE/E.VR	X R	0656	88-121-394-080	RES,390K-1/8W J	a
FUNC/TAPE/E.VR	X R	0657	88-108-274-080	C-RES,U 270K-1/16W J	a
					CX-SNR60 LHSC
FUNC/TAPE/E.VR	X R	0658	88-108-274-080	C-RES,U 270K-1/16W J	a
FUNC/TAPE/E.VR	X R	0659	88-108-394-080	C-RES,U 390K-1/16W J	a
FUNC/TAPE/E.VR	X R	0660	88-108-274-080	C-RES,U 270K-1/16W J	a
FUNC/TAPE/E.VR	X R	0661	88-108-392-080	C-RES,U 3.9K-1/16W J	a
FUNC/TAPE/E.VR	X R	0662	88-108-392-080	C-RES,U 3.9K-1/16W J	a
FUNC/TAPE/E.VR	X R	0669	88-108-223-080	C-RES,U 22K-1/16W J	a
FUNC/TAPE/E.VR	X R	0670	88-108-223-080	C-RES,U 22K-1/16W J	a
FUNC/TAPE/E.VR	X R	0672	88-108-223-080	C-RES,U 22K-1/16W J	a
FUNC/TAPE/E.VR	X R	0673	88-108-392-080	C-RES,U 3.9K-1/16W J	a
FUNC/TAPE/E.VR	X R	0674	88-108-273-080	C-RES,U 27K-1/16W J	a
FUNC/TAPE/E.VR	X R	0676	88-108-563-080	C-RES,U 56K-1/16W J	a
FUNC/TAPE/E.VR	X R	0677	88-108-223-080	C-RES,U 22K-1/16W J	a
FUNC/TAPE/E.VR	X R	0678	88-108-223-080	C-RES,U 22K-1/16W J	a
FUNC/TAPE/E.VR	X R	0681	88-108-473-080	C-RES,U 47K-1/16W J	a
FUNC/TAPE/E.VR	X R	0682	88-108-473-080	C-RES,U 47K-1/16W J	a
FUNC/TAPE/E.VR	X R	0683	88-108-223-080	C-RES,U 22K-1/16W J	a
FUNC/TAPE/E.VR	X R	0684	88-108-223-080	C-RES,U 22K-1/16W J	a
FUNC/TAPE/E.VR	X R	0685	88-108-223-080	C-RES,U 22K-1/16W J	a
FUNC/TAPE/E.VR	X R	0686	88-108-223-080	C-RES,U 22K-1/16W J	a
FUNC/TAPE/E.VR	X R	0687	88-108-223-080	C-RES,U 22K-1/16W J	a

! =  $\Delta$  SAFTY PARTS  
 C = Components marked

All components used on this model at the production line are shown in this service manual.  
 However, please note that not all components will be available as spare parts for after-sales service.  
 Components marked S and O are designated as spare parts for service and will be stocked at the spare parts centers.  
 Components marked X and R are not designated as spare parts for after sales service, and will not be stocked at the spare parts centers.

UNIT-NAME	! C	REF-NO	PARTS-NO	PARTS-NAME	SUFFIX&MODEL
					CX-SNR60 LHSC
FUNC/TAPE/E.VR	X R	0688	88-108-223-080	C-RES,U 22K-1/16W J	a
FUNC/TAPE/E.VR	X R	0689	88-108-223-080	C-RES,U 22K-1/16W J	a
FUNC/TAPE/E.VR	X R	0690	88-108-103-080	C-RES,U 10K-1/16W J	a
FUNC/TAPE/E.VR	X R	0691	88-108-105-080	C-RES,U 1M-1/16W J	a
FUNC/TAPE/E.VR	X R	0692	88-108-105-080	C-RES,U 1M-1/16W J	a
FUNC/TAPE/E.VR	O	SFR0451	87-024-435-080	SFR,33K H RH063MC	a
FUNC/TAPE/E.VR	O	SFR0452	87-024-435-080	SFR,33K H RH063MC	a
MIC	O C	0401	87-012-282-080	C-CAP,U 4700P-50 K B	a
MIC	O C	0402	87-010-112-040	CAP,E 100-16 M 11L SME	a
MIC	O C	0403	87-010-545-040	CAP,E 0.22-50 M 11L SME	a
MIC	O C	0404	87-012-191-080	C-CAP,U 68P-50 J CH	a
MIC	O C	0405	87-010-545-040	CAP,E 0.22-50 M 11L SME	a
MIC	O C	0406	87-010-545-040	CAP,E 0.22-50 M 11L SME	a
MIC	O C	0407	87-010-405-040	CAP,E 10-50 M 11L SME	a
MIC	O C	0408	87-012-195-080	C-CAP,U 100P-50 J CH	a
MIC	O C	0409	87-010-265-040	CAP,E 33-16 M 11L SME	a
MIC	O C	0410	87-010-829-080	C-CAP,U 0.047-16 Z F	a
MIC	O C	0413	87-010-177-080	C-CAP,S 820P-50 J SL C2012	a
MIC	X C	0451	88-108-000-080	C-JUMPER,U	a
MIC	O FB	0401	87-008-372-080	FLTR,EMI BL01 RN1	a
					CX-SNR60 LHSC
MIC	O J	0401	87-A61-243-010	JACK,6.3 BLK MONO W/SW V MSC	a
MIC	X JR	0402	88-108-000-080	C-JUMPER,U	a
MIC	X JR	0403	88-108-000-080	C-JUMPER,U	a
MIC	X JR	0404	88-108-000-080	C-JUMPER,U	a
MIC	X JR	0405	88-108-000-080	C-JUMPER,U	a
MIC	X JW	0401	88-100-000-010	PLATING-JW, 0.58 SN95	a
MIC	X JW	0403	88-100-000-010	PLATING-JW, 0.58 SN95	a
MIC	X JW	0404	88-100-000-010	PLATING-JW, 0.58 SN95	a
MIC	X JW	0405	88-100-000-010	PLATING-JW, 0.58 SN95	a
MIC	X JW	0406	88-100-000-010	PLATING-JW, 0.58 SN95	a
MIC	X JW	0409	88-100-000-010	PLATING-JW, 0.58 SN95	a
MIC	X JW	0410	88-100-000-010	PLATING-JW, 0.58 SN95	a
MIC	X JW	0411	88-100-000-010	PLATING-JW, 0.58 SN95	a
MIC	X JW	0412	88-100-000-010	PLATING-JW, 0.58 SN95	a
MIC	X JW	0413	88-100-000-010	PLATING-JW, 0.58 SN95	a
MIC	X JW	0414	88-100-000-010	PLATING-JW, 0.58 SN95	a
MIC	X JW	0415	88-100-000-010	PLATING-JW, 0.58 SN95	a
MIC	S Q	0401	87-A30-076-080	C-TR,2SC3052F	a
MIC	S Q	0402	87-A30-075-080	C-TR,2SA1235F	a
MIC	S Q	0403	87-A30-076-080	C-TR,2SC3052F	a
					CX-SNR60 LHSC
MIC	S Q	0404	87-A30-075-080	C-TR,2SA1235F	a
MIC	S Q	0405	87-A30-087-080	C-FET,2SK2158	a
MIC	S Q	0406	87-A30-076-080	C-TR,2SC3052F	a
MIC	S Q	0451	87-A30-076-080	C-TR,2SC3052F	a
MIC	X R	0401	88-108-472-080	C-RES,U 4.7K-1/16W J	a
MIC	X R	0402	88-108-104-080	C-RES,U 100K-1/16W J	a
MIC	X R	0403	88-128-101-080	C-RES, 100-1/8W J	a
MIC	X R	0404	88-108-222-080	C-RES,U 2.2K-1/16W J	a
MIC	X R	0405	88-108-102-080	C-RES,U 1K-1/16W J	a
MIC	X R	0406	88-108-334-080	C-RES,U 330K-1/16W J	a
MIC	X R	0407	88-108-333-080	C-RES,U 33K-1/16W J	a
MIC	X R	0408	88-108-562-080	C-RES,U 5.6K-1/16W J	a
MIC	X R	0409	88-108-101-080	C-RES,U 100-1/16W J	a
MIC	X R	0410	88-108-153-080	C-RES,U 15K-1/16W J	a
MIC	X R	0411	88-108-561-080	C-RES,U 560-1/16W J	a
MIC	X R	0412	88-108-274-080	C-RES,U 270K-1/16W J	a
MIC	X R	0413	88-108-223-080	C-RES,U 22K-1/16W J	a
MIC	X R	0414	88-108-102-080	C-RES,U 1K-1/16W J	a
MIC	X R	0415	88-108-000-080	C-JUMPER,U	a
MIC	X R	0416	88-108-224-080	C-RES,U 220K-1/16W J	a
					CX-SNR60 LHSC
MIC	X R	0417	88-108-334-080	C-RES,U 330K-1/16W J	a
MIC	X R	0418	88-108-154-080	C-RES,U 150K-1/16W J	a
MIC	X R	0451	88-108-103-080	C-RES,U 10K-1/16W J	a
MIC	X R	0452	88-108-104-080	C-RES,U 100K-1/16W J	a
MIC	X R	0453	88-108-104-080	C-RES,U 100K-1/16W J	a
MIC	X R	0454	88-108-104-080	C-RES,U 100K-1/16W J	a
MIC	O VR	0401	86-NFA-607-010	VR,RTRY 10K15AX1 1 V XV0121PVN	a
MICON	X *		8C-NF7-640-010	PWB,COMB FRONT CNF-7	a
MICON	X *		8C-NF7-641-010	PWB,FRONT	a
MICON	X *		8C-NF7-643-010	PWB,HLDR WIRE	a
MICON	X *		8C-NF7-642-010	PWB,MIC	a
MICON	O C	0108	87-010-785-080	C-CAP,U 0.015-25 K B GRM	a
MICON	O C	0153	87-010-787-080	C-CAP,U 0.022-25 K B	a
MICON	O C	0154	87-010-246-040	CAP,E 47-35 M 11L SME	a
MICON	O C	0155	87-010-404-040	CAP,E 4.7-50 M 11L SME	a
MICON	O C	0156	87-010-404-040	CAP,E 4.7-50 M 11L SME	a
MICON	O C	0301	87-012-278-080	C-CAP,U 2200P-50 K B	a
MICON	O C	0351	87-A10-353-080	C-CAP,U 0.22-10 K B	a
MICON	O C	0361	87-012-274-080	C-CAP,U 1000P-50 K B	a
MICON	O C	0362	87-012-274-080	C-CAP,U 1000P-50 K B	a

! = SAFETY PARTS  
 C = Components marked

All components used on this model at the production line are shown in this service manual.  
 However, please note that not all components will be available as spare parts for after-sales service.  
 Components marked S and O are designated as spare parts for service and will be stocked at the spare parts centers.  
 Components marked X and R are not designated as spare parts for after sales service, and will not be stocked at the spare parts centers.

UNIT-NAME	! C	REF-NO	PARTS-NO	PARTS-NAME	SUFFIX&MODEL
					CX-SNR60 LHSC
MICON	O C	0371	87-012-274-080	C-CAP,U 1000P-50 K B	a
MICON	O C	0372	87-012-274-080	C-CAP,U 1000P-50 K B	a
MICON	O C	0412	87-012-270-080	C-CAP,U 470P-50 K B	a
MICON	O C	0601	87-010-382-040	CAP,E 22-25 M 11L SME	a
MICON	O C	0801	87-A10-353-080	C-CAP,U 0.22-10 K B	a
MICON	O C	0803	87-012-280-080	C-CAP,U 3300P-50 K B	a
MICON	O C	0804	87-A10-592-080	C-CAP,S 0.015-50 J B	a
MICON	O C	0806	87-012-273-080	C-CAP,U 820P-50 K B	a
MICON	O C	0808	87-010-544-040	CAP,E 0.1-50 M 11L SME	a
MICON	O C	0809	87-010-404-040	CAP,E 4.7-50 M 11L SME	a
MICON	O C	0810	87-010-759-080	C-CAP,U 0.1-25 Z F	a
MICON	O C	0811	87-A12-052-080	C-CAP,S 0.033-25 J B	a
MICON	O C	0812	87-012-285-080	C-CAP,U 8200P-50 K B GRM	a
MICON	O C	0901	87-012-195-080	C-CAP,U 100P-50 J CH	a
MICON	O C	0902	87-012-195-080	C-CAP,U 100P-50 J CH	a
MICON	O C	0903	87-012-195-080	C-CAP,U 100P-50 J CH	a
MICON	O C	0904	87-012-195-080	C-CAP,U 100P-50 J CH	a
MICON	O C	0905	87-012-195-080	C-CAP,U 100P-50 J CH	a
MICON	O C	0906	87-012-195-080	C-CAP,U 100P-50 J CH	a
MICON	O C	0907	87-012-195-080	C-CAP,U 100P-50 J CH	a
					CX-SNR60 LHSC
MICON	O C	0908	87-012-195-080	C-CAP,U 100P-50 J CH	a
MICON	O C	0909	87-012-195-080	C-CAP,U 100P-50 J CH	a
MICON	O C	0910	87-012-195-080	C-CAP,U 100P-50 J CH	a
MICON	O C	0911	87-012-274-080	C-CAP,U 1000P-50 K B	a
MICON	O C	0912	87-010-759-080	C-CAP,U 0.1-25 Z F	a
MICON	O C	0913	87-A10-189-040	CAP,E 220-10 M 5L	a
MICON	O C	0915	87-010-759-080	C-CAP,U 0.1-25 Z F	a
MICON	O C	0916	87-010-759-080	C-CAP,U 0.1-25 Z F	a
MICON	O C	0917	87-010-759-080	C-CAP,U 0.1-25 Z F	a
MICON	O C	0919	87-012-286-080	C-CAP,U 0.01-25 K B	a
MICON	O C	0920	87-010-829-080	C-CAP,U 0.047-16 Z F	a
MICON	O C	0921	87-012-282-080	C-CAP,U 4700P-50 K B	a
MICON	O C	0922	87-012-195-080	C-CAP,U 100P-50 J CH	a
MICON	O C	0923	87-016-116-080	C-CAP,U 0.015-25 J B CB	a
MICON	O C	0924	87-016-116-080	C-CAP,U 0.015-25 J B CB	a
MICON	O C	0925	87-016-116-080	C-CAP,U 0.015-25 J B CB	a
MICON	O C	0951	87-012-172-080	C-CAP,U 10P-50 D CH	a
MICON	O C	0952	87-010-854-080	C-CAP,S 560P-50 J CH	a
MICON	O C	0953	87-012-349-080	C-CAP,S 1000P-50 J CH GRM	a
MICON	O C	0961	87-A12-075-040	CAP,E 10-35 SMG	a
					CX-SNR60 LHSC
MICON	O C	0962	87-012-336-080	C-CAP,U 330P-50 J SL	a
MICON	O C	0963	87-010-759-080	C-CAP,U 0.1-25 Z F	a
MICON	! O CN	0104	87-099-013-010	CONN,11P V BLK 6216	a
MICON	! O CN	0701	87-099-720-010	CONN,30P BLK TYK-B(P)	a
MICON	! O CN	0731	87-099-196-010	CONN,8P V BLK 6216	a
MICON	S D	0103	87-020-465-080	DIODE,1SS133	a
MICON	S D	0104	87-020-465-080	DIODE,1SS133	a
MICON	S D	0301	87-A40-234-080	ZENER,MTZJ5.6A	a
MICON	S D	0302	87-020-465-080	DIODE,1SS133	a
MICON	S D	0601	87-A40-269-080	C-DIODE,MC2836	a
MICON	S D	0655	87-A40-269-080	C-DIODE,MC2836	a
MICON	S D	0656	87-A40-269-080	C-DIODE,MC2836	a
MICON	S D	0657	87-A40-269-080	C-DIODE,MC2836	a
MICON	S D	0658	87-A40-269-080	C-DIODE,MC2836	a
MICON	S D	0659	87-A40-269-080	C-DIODE,MC2836	a
MICON	S D	0801	87-020-465-080	DIODE,1SS133	a
MICON	S D	0981	87-020-465-080	DIODE,1SS133	a
MICON	S D	0982	87-020-465-080	DIODE,1SS133	a
MICON	S D	0987	87-020-465-080	DIODE,1SS133	a
MICON	O FL	0901	8B-NF1-610-010	FL,BJ854GNK BNF-1	a
					CX-SNR60 LHSC
MICON	S IC	0901	8C-NF7-645-030	C-IC,UPD780226GF-031-3BA	a
MICON	S IC	0961	87-A21-218-110	IC,NJL64H380A	a
MICON	X JR	0101	88-108-000-080	C-JUMPER,U	a
MICON	X JR	0602	88-108-000-080	C-JUMPER,U	a
MICON	X JR	0604	88-108-000-080	C-JUMPER,U	a
MICON	X JR	0606	88-108-000-080	C-JUMPER,U	a
MICON	X JR	0621	88-108-000-080	C-JUMPER,U	a
MICON	X JR	0901	88-108-000-080	C-JUMPER,U	a
MICON	X JR	0902	88-129-000-080	C-JUMPER, 3216	a
MICON	X JR	0903	88-108-000-080	C-JUMPER,U	a
MICON	X JR	0904	88-108-000-080	C-JUMPER,U	a
MICON	X JR	0905	88-108-000-080	C-JUMPER,U	a
MICON	X JR	0964	88-108-000-080	C-JUMPER,U	a
MICON	X JW	0101	88-100-000-010	PLATING-JW, 0.58 SN95	a
MICON	X JW	0103	88-100-000-010	PLATING-JW, 0.58 SN95	a
MICON	X JW	0104	88-100-000-010	PLATING-JW, 0.58 SN95	a
MICON	X JW	0105	88-100-000-010	PLATING-JW, 0.58 SN95	a
MICON	X JW	0106	88-100-000-010	PLATING-JW, 0.58 SN95	a
MICON	X JW	0107	88-100-000-010	PLATING-JW, 0.58 SN95	a
MICON	X JW	0108	88-100-000-010	PLATING-JW, 0.58 SN95	a

! =  $\Delta$  SAFTY PARTS  
 C = Components marked

All components used on this model at the production line are shown in this service manual.  
 However, please note that not all components will be available as spare parts for after-sales service.  
 Components marked S and O are designated as spare parts for service and will be stocked at the spare parts centers.  
 Components marked X and R are not designated as spare parts for after sales service, and will not be stocked at the spare parts centers.

UNIT-NAME	! C	REF-NO	PARTS-NO	PARTS-NAME	SUFFIX&MODEL
					CX-SNR60 LHSC
MICON	X	JW 0109	88-100-000-010	PLATING-JW, 0.58 SN95	a
MICON	X	JW 0110	88-100-000-010	PLATING-JW, 0.58 SN95	a
MICON	X	JW 0151	88-100-000-010	PLATING-JW, 0.58 SN95	a
MICON	X	JW 0152	88-100-000-010	PLATING-JW, 0.58 SN95	a
MICON	X	JW 0201	88-100-000-010	PLATING-JW, 0.58 SN95	a
MICON	X	JW 0202	88-100-000-010	PLATING-JW, 0.58 SN95	a
MICON	X	JW 0203	88-100-000-010	PLATING-JW, 0.58 SN95	a
MICON	X	JW 0204	88-100-000-010	PLATING-JW, 0.58 SN95	a
MICON	X	JW 0205	88-100-000-010	PLATING-JW, 0.58 SN95	a
MICON	X	JW 0206	88-100-000-010	PLATING-JW, 0.58 SN95	a
MICON	X	JW 0207	88-100-000-010	PLATING-JW, 0.58 SN95	a
MICON	X	JW 0208	88-100-000-010	PLATING-JW, 0.58 SN95	a
MICON	X	JW 0209	88-100-000-010	PLATING-JW, 0.58 SN95	a
MICON	X	JW 0301	88-100-000-010	PLATING-JW, 0.58 SN95	a
MICON	X	JW 0302	88-100-000-010	PLATING-JW, 0.58 SN95	a
MICON	X	JW 0303	88-100-000-010	PLATING-JW, 0.58 SN95	a
MICON	X	JW 0304	88-100-000-010	PLATING-JW, 0.58 SN95	a
MICON	X	JW 0305	88-100-000-010	PLATING-JW, 0.58 SN95	a
MICON	X	JW 0306	88-100-000-010	PLATING-JW, 0.58 SN95	a
MICON	X	JW 0307	88-100-000-010	PLATING-JW, 0.58 SN95	a
					CX-SNR60 LHSC
MICON	X	JW 0308	88-100-000-010	PLATING-JW, 0.58 SN95	a
MICON	X	JW 0309	88-100-000-010	PLATING-JW, 0.58 SN95	a
MICON	X	JW 0310	88-100-000-010	PLATING-JW, 0.58 SN95	a
MICON	X	JW 0311	88-100-000-010	PLATING-JW, 0.58 SN95	a
MICON	X	JW 0312	88-100-000-010	PLATING-JW, 0.58 SN95	a
MICON	X	JW 0313	88-100-000-010	PLATING-JW, 0.58 SN95	a
MICON	X	JW 0314	88-100-000-010	PLATING-JW, 0.58 SN95	a
MICON	X	JW 0315	88-100-000-010	PLATING-JW, 0.58 SN95	a
MICON	X	JW 0316	88-100-000-010	PLATING-JW, 0.58 SN95	a
MICON	X	JW 0317	88-100-000-010	PLATING-JW, 0.58 SN95	a
MICON	X	JW 0318	88-100-000-010	PLATING-JW, 0.58 SN95	a
MICON	X	JW 0319	88-100-000-010	PLATING-JW, 0.58 SN95	a
MICON	X	JW 0320	88-100-000-010	PLATING-JW, 0.58 SN95	a
MICON	X	JW 0321	88-100-000-010	PLATING-JW, 0.58 SN95	a
MICON	X	JW 0322	88-100-000-010	PLATING-JW, 0.58 SN95	a
MICON	X	JW 0323	88-100-000-010	PLATING-JW, 0.58 SN95	a
MICON	X	JW 0324	88-100-000-010	PLATING-JW, 0.58 SN95	a
MICON	X	JW 0325	88-100-000-010	PLATING-JW, 0.58 SN95	a
MICON	X	JW 0326	88-100-000-010	PLATING-JW, 0.58 SN95	a
MICON	X	JW 0327	88-100-000-010	PLATING-JW, 0.58 SN95	a
					CX-SNR60 LHSC
MICON	X	JW 0328	88-100-000-010	PLATING-JW, 0.58 SN95	a
MICON	X	JW 0329	88-100-000-010	PLATING-JW, 0.58 SN95	a
MICON	X	JW 0330	88-100-000-010	PLATING-JW, 0.58 SN95	a
MICON	X	JW 0331	88-100-000-010	PLATING-JW, 0.58 SN95	a
MICON	X	JW 0408	88-100-000-010	PLATING-JW, 0.58 SN95	a
MICON	X	JW 0601	88-100-000-010	PLATING-JW, 0.58 SN95	a
MICON	X	JW 0602	88-100-000-010	PLATING-JW, 0.58 SN95	a
MICON	X	JW 0603	88-100-000-010	PLATING-JW, 0.58 SN95	a
MICON	X	JW 0604	88-100-000-010	PLATING-JW, 0.58 SN95	a
MICON	X	JW 0605	88-100-000-010	PLATING-JW, 0.58 SN95	a
MICON	X	JW 0607	88-100-000-010	PLATING-JW, 0.58 SN95	a
MICON	X	JW 0608	88-100-000-010	PLATING-JW, 0.58 SN95	a
MICON	X	JW 0609	88-100-000-010	PLATING-JW, 0.58 SN95	a
MICON	X	JW 0610	88-100-000-010	PLATING-JW, 0.58 SN95	a
MICON	X	JW 0612	88-100-000-010	PLATING-JW, 0.58 SN95	a
MICON	X	JW 0613	88-100-000-010	PLATING-JW, 0.58 SN95	a
MICON	X	JW 0614	88-100-000-010	PLATING-JW, 0.58 SN95	a
MICON	X	JW 0615	88-100-000-010	PLATING-JW, 0.58 SN95	a
MICON	X	JW 0617	88-100-000-010	PLATING-JW, 0.58 SN95	a
MICON	X	JW 0618	88-100-000-010	PLATING-JW, 0.58 SN95	a
					CX-SNR60 LHSC
MICON	X	JW 0619	88-100-000-010	PLATING-JW, 0.58 SN95	a
MICON	X	JW 0620	88-100-000-010	PLATING-JW, 0.58 SN95	a
MICON	X	JW 0701	88-100-000-010	PLATING-JW, 0.58 SN95	a
MICON	X	JW 0703	88-100-000-010	PLATING-JW, 0.58 SN95	a
MICON	X	JW 0704	88-100-000-010	PLATING-JW, 0.58 SN95	a
MICON	X	JW 0705	88-100-000-010	PLATING-JW, 0.58 SN95	a
MICON	X	JW 0706	88-100-000-010	PLATING-JW, 0.58 SN95	a
MICON	X	JW 0707	88-100-000-010	PLATING-JW, 0.58 SN95	a
MICON	X	JW 0709	88-100-000-010	PLATING-JW, 0.58 SN95	a
MICON	X	JW 0710	88-100-000-010	PLATING-JW, 0.58 SN95	a
MICON	X	JW 0711	88-100-000-010	PLATING-JW, 0.58 SN95	a
MICON	X	JW 0712	88-100-000-010	PLATING-JW, 0.58 SN95	a
MICON	X	JW 0713	88-100-000-010	PLATING-JW, 0.58 SN95	a
MICON	X	JW 0731	88-100-000-010	PLATING-JW, 0.58 SN95	a
MICON	X	JW 0732	88-100-000-010	PLATING-JW, 0.58 SN95	a
MICON	X	JW 0801	88-100-000-010	PLATING-JW, 0.58 SN95	a
MICON	X	JW 0803	88-100-000-010	PLATING-JW, 0.58 SN95	a
MICON	X	JW 0804	88-100-000-010	PLATING-JW, 0.58 SN95	a
MICON	X	JW 0805	88-100-000-010	PLATING-JW, 0.58 SN95	a
MICON	X	JW 0806	88-100-000-010	PLATING-JW, 0.58 SN95	a

! =  $\Delta$  SAFTY PARTS  
 C = Components marked

All components used on this model at the production line are shown in this service manual.  
 However, please note that not all components will be available as spare parts for after-sales service.  
 Components marked S and O are designated as spare parts for service and will be stocked at the spare parts centers.  
 Components marked X and R are not designated as spare parts for after sales service, and will not be stocked at the spare parts centers.

UNIT-NAME	! C	REF-NO	PARTS-NO	PARTS-NAME	SUFFIX&MODEL
					CX-SNR60 LHSC
MICON	X	JW 0807	88-100-000-010	PLATING-JW, 0.58 SN95	a
MICON	X	JW 0808	88-100-000-010	PLATING-JW, 0.58 SN95	a
MICON	X	JW 0809	88-100-000-010	PLATING-JW, 0.58 SN95	a
MICON	X	JW 0901	88-100-000-010	PLATING-JW, 0.58 SN95	a
MICON	X	JW 0902	88-100-000-010	PLATING-JW, 0.58 SN95	a
MICON	X	JW 0903	88-100-000-010	PLATING-JW, 0.58 SN95	a
MICON	X	JW 0904	88-100-000-010	PLATING-JW, 0.58 SN95	a
MICON	X	JW 0905	88-100-000-010	PLATING-JW, 0.58 SN95	a
MICON	X	JW 0906	88-100-000-010	PLATING-JW, 0.58 SN95	a
MICON	X	JW 0907	88-100-000-010	PLATING-JW, 0.58 SN95	a
MICON	X	JW 0908	88-100-000-010	PLATING-JW, 0.58 SN95	a
MICON	X	JW 0909	88-100-000-010	PLATING-JW, 0.58 SN95	a
MICON	X	JW 0910	88-100-000-010	PLATING-JW, 0.58 SN95	a
MICON	X	JW 0912	88-100-000-010	PLATING-JW, 0.58 SN95	a
MICON	X	JW 0913	88-100-000-010	PLATING-JW, 0.58 SN95	a
MICON	X	JW 0914	88-100-000-010	PLATING-JW, 0.58 SN95	a
MICON	X	JW 0915	88-100-000-010	PLATING-JW, 0.58 SN95	a
MICON	X	JW 0916	88-100-000-010	PLATING-JW, 0.58 SN95	a
MICON	X	JW 0917	88-100-000-010	PLATING-JW, 0.58 SN95	a
MICON	X	JW 0918	88-100-000-010	PLATING-JW, 0.58 SN95	a
					CX-SNR60 LHSC
MICON	X	JW 0919	88-100-000-010	PLATING-JW, 0.58 SN95	a
MICON	X	JW 0920	88-100-000-010	PLATING-JW, 0.58 SN95	a
MICON	X	JW 0921	88-100-000-010	PLATING-JW, 0.58 SN95	a
MICON	X	JW 0922	88-100-000-010	PLATING-JW, 0.58 SN95	a
MICON	X	JW 0923	88-100-000-010	PLATING-JW, 0.58 SN95	a
MICON	X	JW 0925	88-100-000-010	PLATING-JW, 0.58 SN95	a
MICON	X	JW 0926	88-100-000-010	PLATING-JW, 0.58 SN95	a
MICON	X	JW 0927	88-100-000-010	PLATING-JW, 0.58 SN95	a
MICON	X	JW 0928	88-100-000-010	PLATING-JW, 0.58 SN95	a
MICON	X	JW 0929	88-100-000-010	PLATING-JW, 0.58 SN95	a
MICON	X	JW 0930	88-100-000-010	PLATING-JW, 0.58 SN95	a
MICON	X	JW 0931	88-100-000-010	PLATING-JW, 0.58 SN95	a
MICON	X	JW 0932	88-100-000-010	PLATING-JW, 0.58 SN95	a
MICON	X	JW 0933	88-100-000-010	PLATING-JW, 0.58 SN95	a
MICON	X	JW 0935	88-100-000-010	PLATING-JW, 0.58 SN95	a
MICON	X	JW 0936	88-100-000-010	PLATING-JW, 0.58 SN95	a
MICON	X	JW 0937	88-100-000-010	PLATING-JW, 0.58 SN95	a
MICON	X	JW 0939	88-100-000-010	PLATING-JW, 0.58 SN95	a
MICON	X	JW 0940	88-100-000-010	PLATING-JW, 0.58 SN95	a
MICON	X	JW 0941	88-100-000-010	PLATING-JW, 0.58 SN95	a
					CX-SNR60 LHSC
MICON	X	JW 0942	88-100-000-010	PLATING-JW, 0.58 SN95	a
MICON	X	JW 0943	88-100-000-010	PLATING-JW, 0.58 SN95	a
MICON	X	JW 0944	88-100-000-010	PLATING-JW, 0.58 SN95	a
MICON	X	JW 0945	88-100-000-010	PLATING-JW, 0.58 SN95	a
MICON	X	JW 0946	88-100-000-010	PLATING-JW, 0.58 SN95	a
MICON	X	JW 0947	88-100-000-010	PLATING-JW, 0.58 SN95	a
MICON	X	JW 0948	88-100-000-010	PLATING-JW, 0.58 SN95	a
MICON	X	JW 0949	88-100-000-010	PLATING-JW, 0.58 SN95	a
MICON	X	JW 0950	88-100-000-010	PLATING-JW, 0.58 SN95	a
MICON	X	JW 0951	88-100-000-010	PLATING-JW, 0.58 SN95	a
MICON	X	JW 0952	88-100-000-010	PLATING-JW, 0.58 SN95	a
MICON	X	JW 0954	88-100-000-010	PLATING-JW, 0.58 SN95	a
MICON	X	JW 0956	88-100-000-010	PLATING-JW, 0.58 SN95	a
MICON	X	JW 0958	88-100-000-010	PLATING-JW, 0.58 SN95	a
MICON	X	JW 0959	88-100-000-010	PLATING-JW, 0.58 SN95	a
MICON	X	JW 0960	88-100-000-010	PLATING-JW, 0.58 SN95	a
MICON	X	JW 0961	88-100-000-010	PLATING-JW, 0.58 SN95	a
MICON	X	JW 0962	88-100-000-010	PLATING-JW, 0.58 SN95	a
MICON	X	JW 0963	88-100-000-010	PLATING-JW, 0.58 SN95	a
MICON	X	JW 0964	88-100-000-010	PLATING-JW, 0.58 SN95	a
					CX-SNR60 LHSC
MICON	X	JW 0965	88-100-000-010	PLATING-JW, 0.58 SN95	a
MICON	X	JW 0966	88-100-000-010	PLATING-JW, 0.58 SN95	a
MICON	X	JW 0967	88-100-000-010	PLATING-JW, 0.58 SN95	a
MICON	X	JW 0968	88-100-000-010	PLATING-JW, 0.58 SN95	a
MICON	X	JW 0969	88-100-000-010	PLATING-JW, 0.58 SN95	a
MICON	X	JW 0970	88-100-000-010	PLATING-JW, 0.58 SN95	a
MICON	X	JW 0971	88-100-000-010	PLATING-JW, 0.58 SN95	a
MICON	O	L 0951	87-A50-655-010	COIL, CLK 4.19MHZ (TOKO) 7KLY	a
MICON	O	LED0201	87-A41-062-040	LED, LTL-1CHEE-012A RED	a
MICON	O	LED0202	87-A41-120-040	LED, SEL6810ATP5 UMB	a
MICON	O	LED0203	87-A41-120-040	LED, SEL6810ATP5 UMB	a
MICON	O	LED0204	87-A41-120-040	LED, SEL6810ATP5 UMB	a
MICON	S	Q 0102	87-A30-076-080	C-TR, 2SC3052F	a
MICON	S	Q 0104	87-A30-538-040	C-TR, SRA2202S	a
MICON	S	Q 0301	87-A30-494-080	TR, 2SA1980G	a
MICON	S	Q 0302	87-A30-076-080	C-TR, 2SC3052F	a
MICON	S	Q 0303	87-A30-076-080	C-TR, 2SC3052F	a
MICON	S	Q 0601	87-A30-495-080	TR, 2SA1981Y	a
MICON	S	Q 0602	87-A30-495-080	TR, 2SA1981Y	a
MICON	S	Q 0603	87-A30-200-080	TR, 2SA1585SR	a



! =  $\Delta$  SAFTY PARTS  
 C = Components marked

All components used on this model at the production line are shown in this service manual.  
 However, please note that not all components will be available as spare parts for after-sales service.  
 Components marked S and O are designated as spare parts for service and will be stocked at the spare parts centers.  
 Components marked X and R are not designated as spare parts for after sales service, and will not be stocked at the spare parts centers.

UNIT-NAME	! C	REF-NO	PARTS-NO	PARTS-NAME	SUFFIX&MODEL
					CX-SNR60 LHSC
MICON	S Q	0801	87-A30-076-080	C-TR,2SC3052F	a
MICON	S Q	0802	87-A30-075-080	C-TR,2SA1235F	a
MICON	S Q	0803	87-A30-076-080	C-TR,2SC3052F	a
MICON	S Q	0804	87-A30-076-080	C-TR,2SC3052F	a
MICON	S Q	0805	87-A30-076-080	C-TR,2SC3052F	a
MICON	S Q	0901	87-A30-538-040	C-TR,SRA2202S	a
MICON	X R	0109	88-108-224-080	C-RES,U 220K-1/16W J	a
MICON	X R	0110	88-108-153-080	C-RES,U 15K-1/16W J	a
MICON	X R	0111	88-108-333-080	C-RES,U 33K-1/16W J	a
MICON	X R	0112	88-108-224-080	C-RES,U 220K-1/16W J	a
MICON	X R	0114	88-108-103-080	C-RES,U 10K-1/16W J	a
MICON	X R	0115	88-108-103-080	C-RES,U 10K-1/16W J	a
MICON	X R	0116	88-108-104-080	C-RES,U 100K-1/16W J	a
MICON	X R	0151	88-100-000-010	PLATING-JW, 0.58 SN95	a
MICON	X R	0152	88-100-000-010	PLATING-JW, 0.58 SN95	a
MICON	X R	0153	88-128-821-080	C-RES, 820-1/8W J	a
MICON	X R	0154	88-128-821-080	C-RES, 820-1/8W J	a
MICON	X R	0155	88-108-332-080	C-RES,U 3.3K-1/16W J	a
MICON	X R	0156	88-108-332-080	C-RES,U 3.3K-1/16W J	a
MICON	X R	0160	88-108-000-080	C-JUMPER,U	a
					CX-SNR60 LHSC
MICON	X R	0161	88-108-000-080	C-JUMPER,U	a
MICON	X R	0162	88-108-000-080	C-JUMPER,U	a
MICON	X R	0163	88-108-000-080	C-JUMPER,U	a
MICON	X R	0164	88-108-000-080	C-JUMPER,U	a
MICON	X R	0165	88-108-000-080	C-JUMPER,U	a
MICON	X R	0166	88-108-000-080	C-JUMPER,U	a
MICON	X R	0201	88-128-681-080	C-RES, 680-1/8W J	a
MICON	X R	0202	88-128-681-080	C-RES, 680-1/8W J	a
MICON	X R	0203	88-128-681-080	C-RES, 680-1/8W J	a
MICON	X R	0208	88-128-102-080	C-RES, 1K-1/8W J	a
MICON	X R	0301	88-108-104-080	C-RES,U 100K-1/16W J	a
MICON	X R	0302	88-108-472-080	C-RES,U 4.7K-1/16W J	a
MICON	X R	0303	88-108-153-080	C-RES,U 15K-1/16W J	a
MICON	X R	0304	88-108-102-080	C-RES,U 1K-1/16W J	a
MICON	X R	0306	88-108-471-080	C-RES,U 470-1/16W J	a
MICON	X R	0321	88-108-103-080	C-RES,U 10K-1/16W J	a
MICON	X R	0322	88-108-102-080	C-RES,U 1K-1/16W J	a
MICON	X R	0323	88-108-821-080	C-RES,U 820-1/16W J	a
MICON	X R	0324	88-108-122-080	C-RES,U 1.2K-1/16W J	a
MICON	X R	0325	88-108-122-080	C-RES,U 1.2K-1/16W J	a
					CX-SNR60 LHSC
MICON	X R	0326	88-121-122-080	RES,1.2K-1/8W J	a
MICON	X R	0327	88-108-182-080	C-RES,U 1.8K-1/16W J	a
MICON	X R	0328	88-121-182-080	RES,1.8K-1/8W J	a
MICON	X R	0329	88-108-272-080	C-RES,U 2.7K-1/16W J	a
MICON	X R	0330	88-108-332-080	C-RES,U 3.3K-1/16W J	a
MICON	X R	0331	88-121-472-080	RES,4.7K-1/8W J	a
MICON	X R	0332	88-108-682-080	C-RES,U 6.8K-1/16W J	a
MICON	X R	0333	88-108-103-080	C-RES,U 10K-1/16W J	a
MICON	X R	0334	88-108-183-080	C-RES,U 18K-1/16W J	a
MICON	X R	0335	88-108-473-080	C-RES,U 47K-1/16W J	a
MICON	X R	0341	88-108-103-080	C-RES,U 10K-1/16W J	a
MICON	X R	0342	88-108-102-080	C-RES,U 1K-1/16W J	a
MICON	X R	0343	88-108-821-080	C-RES,U 820-1/16W J	a
MICON	X R	0344	88-108-102-080	C-RES,U 1K-1/16W J	a
MICON	X R	0345	88-108-122-080	C-RES,U 1.2K-1/16W J	a
MICON	X R	0346	88-108-122-080	C-RES,U 1.2K-1/16W J	a
MICON	X R	0347	88-108-182-080	C-RES,U 1.8K-1/16W J	a
MICON	X R	0348	88-108-182-080	C-RES,U 1.8K-1/16W J	a
MICON	X R	0361	88-108-103-080	C-RES,U 10K-1/16W J	a
MICON	X R	0362	88-108-103-080	C-RES,U 10K-1/16W J	a
					CX-SNR60 LHSC
MICON	X R	0363	88-108-100-080	C-RES,U 10-1/16W J	a
MICON	X R	0364	88-108-100-080	C-RES,U 10-1/16W J	a
MICON	X R	0371	88-108-103-080	C-RES,U 10K-1/16W J	a
MICON	X R	0372	88-108-103-080	C-RES,U 10K-1/16W J	a
MICON	X R	0373	88-108-100-080	C-RES,U 10-1/16W J	a
MICON	X R	0374	88-108-100-080	C-RES,U 10-1/16W J	a
MICON	X R	0601	88-108-103-080	C-RES,U 10K-1/16W J	a
MICON	X R	0602	88-108-222-080	C-RES,U 2.2K-1/16W J	a
MICON	X R	0603	88-108-103-080	C-RES,U 10K-1/16W J	a
MICON	X R	0604	88-108-222-080	C-RES,U 2.2K-1/16W J	a
MICON	X R	0605	88-108-103-080	C-RES,U 10K-1/16W J	a
MICON	X R	0606	88-108-102-080	C-RES,U 1K-1/16W J	a
MICON	X R	0607	88-108-000-080	C-JUMPER,U	a
MICON	X R	0612	88-108-473-080	C-RES,U 47K-1/16W J	a
MICON	X R	0613	88-108-473-080	C-RES,U 47K-1/16W J	a
MICON	X R	0614	88-108-473-080	C-RES,U 47K-1/16W J	a
MICON	X R	0615	88-108-473-080	C-RES,U 47K-1/16W J	a
MICON	X R	0616	88-108-473-080	C-RES,U 47K-1/16W J	a
MICON	X R	0655	88-108-152-080	C-RES,U 1.5K-1/16W J	a
MICON	X R	0656	88-108-152-080	C-RES,U 1.5K-1/16W J	a

! =  $\Delta$  SAFETY PARTS  
 C = Components marked

All components used on this model at the production line are shown in this service manual.  
 However, please note that not all components will be available as spare parts for after-sales service.  
 Components marked S and O are designated as spare parts for service and will be stocked at the spare parts centers.  
 Components marked X and R are not designated as spare parts for after sales service, and will not be stocked at the spare parts centers.

UNIT-NAME	! C	REF-NO	PARTS-NO	PARTS-NAME	SUFFIX&MODEL
					CX-SNR60 LHSC
MICON	X R	0657	88-108-152-080	C-RES,U 1.5K-1/16W J	a
MICON	X R	0658	88-108-152-080	C-RES,U 1.5K-1/16W J	a
MICON	X R	0659	88-108-152-080	C-RES,U 1.5K-1/16W J	a
MICON	X R	0704	88-108-102-080	C-RES,U 1K-1/16W J	a
MICON	X R	0705	88-108-102-080	C-RES,U 1K-1/16W J	a
MICON	X R	0706	88-108-102-080	C-RES,U 1K-1/16W J	a
MICON	X R	0707	88-108-102-080	C-RES,U 1K-1/16W J	a
MICON	X R	0708	88-121-102-080	RES,1K-1/8W J	a
MICON	X R	0709	88-108-101-080	C-RES,U 100-1/16W J	a
MICON	X R	0710	88-128-101-080	C-RES, 100-1/8W J	a
MICON	X R	0711	88-108-101-080	C-RES,U 100-1/16W J	a
MICON	X R	0712	88-108-101-080	C-RES,U 100-1/16W J	a
MICON	X R	0713	88-108-101-080	C-RES,U 100-1/16W J	a
MICON	X R	0719	88-108-100-080	C-RES,U 10-1/16W J	a
MICON	X R	0720	88-108-000-080	C-JUMPER,U	a
MICON	X R	0721	88-108-103-080	C-RES,U 10K-1/16W J	a
MICON	X R	0730	88-108-102-080	C-RES,U 1K-1/16W J	a
MICON	X R	0732	88-108-101-080	C-RES,U 100-1/16W J	a
MICON	X R	0733	88-108-101-080	C-RES,U 100-1/16W J	a
MICON	X R	0734	88-108-102-080	C-RES,U 1K-1/16W J	a
					CX-SNR60 LHSC
MICON	X R	0735	88-108-102-080	C-RES,U 1K-1/16W J	a
MICON	X R	0740	88-108-102-080	C-RES,U 1K-1/16W J	a
MICON	X R	0741	88-108-101-080	C-RES,U 100-1/16W J	a
MICON	X R	0742	88-108-102-080	C-RES,U 1K-1/16W J	a
MICON	X R	0743	88-108-474-080	C-RES,U 470K-1/16W J	a
MICON	X R	0744	88-108-823-080	C-RES,U 82K-1/16W J	a
MICON	X R	0745	88-108-104-080	C-RES,U 100K-1/16W J	a
MICON	X R	0749	88-108-474-080	C-RES,U 470K-1/16W J	a
MICON	X R	0803	88-108-102-080	C-RES,U 1K-1/16W J	a
MICON	X R	0804	88-108-224-080	C-RES,U 220K-1/16W J	a
MICON	X R	0805	88-108-273-080	C-RES,U 27K-1/16W J	a
MICON	X R	0806	88-108-562-080	C-RES,U 5.6K-1/16W J	a
MICON	X R	0807	88-108-000-080	C-JUMPER,U	a
MICON	X R	0808	88-121-101-080	RES,100-1/8W J	a
MICON	X R	0809	88-108-102-080	C-RES,U 1K-1/16W J	a
MICON	X R	0810	88-108-182-080	C-RES,U 1.8K-1/16W J	a
MICON	X R	0811	88-108-224-080	C-RES,U 220K-1/16W J	a
MICON	X R	0813	88-108-224-080	C-RES,U 220K-1/16W J	a
MICON	X R	0815	88-108-272-080	C-RES,U 2.7K-1/16W J	a
MICON	X R	0816	88-108-104-080	C-RES,U 100K-1/16W J	a
					CX-SNR60 LHSC
MICON	X R	0818	88-108-224-080	C-RES,U 220K-1/16W J	a
MICON	X R	0819	88-108-222-080	C-RES,U 2.2K-1/16W J	a
MICON	X R	0820	88-108-101-080	C-RES,U 100-1/16W J	a
MICON	X R	0821	88-108-104-080	C-RES,U 100K-1/16W J	a
MICON	X R	0822	88-108-224-080	C-RES,U 220K-1/16W J	a
MICON	X R	0823	88-100-000-010	PLATING-JW, 0.58 SN95	a
MICON	X R	0824	88-100-000-010	PLATING-JW, 0.58 SN95	a
MICON	X R	0825	88-100-000-010	PLATING-JW, 0.58 SN95	a
MICON	X R	0826	88-108-000-080	C-JUMPER,U	a
MICON	X R	0827	88-108-473-080	C-RES,U 47K-1/16W J	a
MICON	X R	0901	88-108-104-080	C-RES,U 100K-1/16W J	a
MICON	X R	0902	88-108-104-080	C-RES,U 100K-1/16W J	a
MICON	X R	0903	88-108-104-080	C-RES,U 100K-1/16W J	a
MICON	X R	0904	88-108-104-080	C-RES,U 100K-1/16W J	a
MICON	X R	0905	88-108-104-080	C-RES,U 100K-1/16W J	a
MICON	X R	0906	88-108-104-080	C-RES,U 100K-1/16W J	a
MICON	X R	0907	88-108-104-080	C-RES,U 100K-1/16W J	a
MICON	X R	0908	88-108-104-080	C-RES,U 100K-1/16W J	a
MICON	X R	0909	88-108-104-080	C-RES,U 100K-1/16W J	a
MICON	X R	0910	88-108-104-080	C-RES,U 100K-1/16W J	a
					CX-SNR60 LHSC
MICON	X R	0911	88-108-104-080	C-RES,U 100K-1/16W J	a
MICON	X R	0912	88-108-104-080	C-RES,U 100K-1/16W J	a
MICON	X R	0913	88-108-104-080	C-RES,U 100K-1/16W J	a
MICON	X R	0914	88-108-104-080	C-RES,U 100K-1/16W J	a
MICON	X R	0915	88-108-104-080	C-RES,U 100K-1/16W J	a
MICON	X R	0916	88-108-104-080	C-RES,U 100K-1/16W J	a
MICON	X R	0917	88-108-104-080	C-RES,U 100K-1/16W J	a
MICON	X R	0918	88-108-104-080	C-RES,U 100K-1/16W J	a
MICON	X R	0919	88-108-104-080	C-RES,U 100K-1/16W J	a
MICON	X R	0920	88-108-104-080	C-RES,U 100K-1/16W J	a
MICON	X R	0921	88-108-104-080	C-RES,U 100K-1/16W J	a
MICON	X R	0922	88-108-104-080	C-RES,U 100K-1/16W J	a
MICON	X R	0923	88-108-104-080	C-RES,U 100K-1/16W J	a
MICON	X R	0924	88-108-104-080	C-RES,U 100K-1/16W J	a
MICON	X R	0925	88-108-104-080	C-RES,U 100K-1/16W J	a
MICON	X R	0926	88-108-104-080	C-RES,U 100K-1/16W J	a
MICON	X R	0927	88-108-104-080	C-RES,U 100K-1/16W J	a
MICON	X R	0928	88-108-104-080	C-RES,U 100K-1/16W J	a
MICON	X R	0929	88-108-104-080	C-RES,U 100K-1/16W J	a
MICON	X R	0930	88-108-104-080	C-RES,U 100K-1/16W J	a

! = SAFETY PARTS  
 C = Components marked

All components used on this model at the production line are shown in this service manual.  
 However, please note that not all components will be available as spare parts for after-sales service.  
 Components marked S and O are designated as spare parts for service and will be stocked at the spare parts centers.  
 Components marked X and R are not designated as spare parts for after sales service, and will not be stocked at the spare parts centers.

UNIT-NAME	! C	REF-NO	PARTS-NO	PARTS-NAME	SUFFIX&MODEL
					CX-SNR60 LHSC
MICON	X R	0931	88-108-104-080	C-RES,U 100K-1/16W J	a
MICON	X R	0932	88-108-104-080	C-RES,U 100K-1/16W J	a
MICON	X R	0933	88-108-104-080	C-RES,U 100K-1/16W J	a
MICON	X R	0934	88-108-683-080	C-RES,U 68K-1/16W J	a
MICON	X R	0935	88-108-683-080	C-RES,U 68K-1/16W J	a
MICON	X R	0936	88-108-104-080	C-RES,U 100K-1/16W J	a
MICON	X R	0937	88-128-472-080	C-RES, 4.7K-1/8W J	a
MICON	X R	0938	88-108-472-080	C-RES,U 4.7K-1/16W J	a
MICON	X R	0939	88-108-472-080	C-RES,U 4.7K-1/16W J	a
MICON	X R	0940	88-108-104-080	C-RES,U 100K-1/16W J	a
MICON	X R	0941	88-108-104-080	C-RES,U 100K-1/16W J	a
MICON	X R	0942	88-108-103-080	C-RES,U 10K-1/16W J	a
MICON	X R	0943	88-121-472-080	RES,4.7K-1/8W J	a
MICON	X R	0946	88-108-000-080	C-JUMPER,U	a
MICON	X R	0947	88-108-104-080	C-RES,U 100K-1/16W J	a
MICON	X R	0951	88-108-102-080	C-RES,U 1K-1/16W J	a
MICON	X R	0955	88-108-104-080	C-RES,U 100K-1/16W J	a
MICON	X R	0956	88-108-104-080	C-RES,U 100K-1/16W J	a
MICON	X R	0957	88-108-104-080	C-RES,U 100K-1/16W J	a
MICON	X R	0958	88-108-104-080	C-RES,U 100K-1/16W J	a
					CX-SNR60 LHSC
MICON	X R	0961	88-121-181-080	RES,180-1/8W J	a
MICON	X R	0962	88-108-563-080	C-RES,U 56K-1/16W J	a
MICON	X R	0969	88-108-103-080	C-RES,U 10K-1/16W J	a
MICON	X R	0970	88-108-104-080	C-RES,U 100K-1/16W J	a
MICON	X R	0971	88-108-104-080	C-RES,U 100K-1/16W J	a
MICON	X R	0972	88-108-104-080	C-RES,U 100K-1/16W J	a
MICON	X R	0973	88-108-104-080	C-RES,U 100K-1/16W J	a
MICON	X R	0974	88-108-104-080	C-RES,U 100K-1/16W J	a
MICON	X R	0981	88-108-103-080	C-RES,U 10K-1/16W J	a
MICON	X R	0982	88-108-103-080	C-RES,U 10K-1/16W J	a
MICON	X R	0983	88-108-103-080	C-RES,U 10K-1/16W J	a
MICON	X R	0984	88-108-103-080	C-RES,U 10K-1/16W J	a
MICON	X R	0985	88-121-103-080	RES,10K-1/8W J	a
MICON	X R	0986	88-121-103-080	RES,10K-1/8W J	a
MICON	O S	0321	87-A91-024-180	SW,TACT KSHG611BT	a
MICON	O S	0322	87-A91-024-180	SW,TACT KSHG611BT	a
MICON	O S	0323	87-A91-024-180	SW,TACT KSHG611BT	a
MICON	O S	0324	87-A91-024-180	SW,TACT KSHG611BT	a
MICON	O S	0325	87-A91-024-180	SW,TACT KSHG611BT	a
MICON	O S	0326	87-A91-024-180	SW,TACT KSHG611BT	a
					CX-SNR60 LHSC
MICON	O S	0327	87-A91-024-180	SW,TACT KSHG611BT	a
MICON	O S	0328	87-A91-024-180	SW,TACT KSHG611BT	a
MICON	O S	0329	87-A91-024-180	SW,TACT KSHG611BT	a
MICON	O S	0330	87-A91-024-180	SW,TACT KSHG611BT	a
MICON	O S	0331	87-A91-024-180	SW,TACT KSHG611BT	a
MICON	O S	0332	87-A91-024-180	SW,TACT KSHG611BT	a
MICON	O S	0333	87-A91-024-180	SW,TACT KSHG611BT	a
MICON	O S	0334	87-A91-024-180	SW,TACT KSHG611BT	a
MICON	O S	0335	87-A91-024-180	SW,TACT KSHG611BT	a
MICON	O S	0341	87-A91-024-180	SW,TACT KSHG611BT	a
MICON	O S	0342	87-A91-024-180	SW,TACT KSHG611BT	a
MICON	O S	0343	87-A91-024-180	SW,TACT KSHG611BT	a
MICON	O S	0344	87-A91-024-180	SW,TACT KSHG611BT	a
MICON	O S	0345	87-A91-024-180	SW,TACT KSHG611BT	a
MICON	O S	0346	87-A91-024-180	SW,TACT KSHG611BT	a
MICON	O S	0347	87-A91-024-180	SW,TACT KSHG611BT	a
MICON	O S	0348	87-A91-024-180	SW,TACT KSHG611BT	a
MICON	O S	0361	87-A92-359-010	SW,RTRY EC12E24604-30MM	a
MICON	O S	0371	87-A92-273-010	SW,RTRY EC12E12204 30MM	a
POWER AMP	O C	0101	87-012-279-080	C-CAP,U 2700P-50 K B GRM	a
					CX-SNR60 LHSC
POWER AMP	O C	0102	87-012-279-080	C-CAP,U 2700P-50 K B GRM	a
POWER AMP	O C	0103	87-010-546-080	CAP,E 0.33-50 M 11L SME	a
POWER AMP	O C	0104	87-010-546-080	CAP,E 0.33-50 M 11L SME	a
POWER AMP	O C	0107	87-010-405-080	CAP,E 10-50 M 11L SME	a
POWER AMP	O C	0108	87-010-405-080	CAP,E 10-50 M 11L SME	a
POWER AMP	O C	0111	87-010-407-080	CAP,E 33-50 M 11L SME	a
POWER AMP	O C	0112	87-010-407-080	CAP,E 33-50 M 11L SME	a
POWER AMP	O C	0113	87-A10-596-080	C-CAP,S 100P-100 J CH	a
POWER AMP	O C	0114	87-A10-596-080	C-CAP,S 100P-100 J CH	a
POWER AMP	O C	0117	87-012-368-080	C-CAP,S 0.1-50 Z F	a
POWER AMP	O C	0118	87-012-368-080	C-CAP,S 0.1-50 Z F	a
POWER AMP	O C	0119	87-012-286-080	C-CAP,U 0.01-25 K B	a
POWER AMP	O C	0120	87-012-286-080	C-CAP,U 0.01-25 K B	a
POWER AMP	O C	0121	87-010-401-080	CAP,E 1-50 M 11L SME	a
POWER AMP	O C	0122	87-010-401-080	CAP,E 1-50 M 11L SME	a
POWER AMP	O C	0123	87-010-177-080	C-CAP,S 820P-50 J SL C2012	a
POWER AMP	O C	0124	87-010-177-080	C-CAP,S 820P-50 J SL C2012	a
POWER AMP	O C	0125	87-A10-596-080	C-CAP,S 100P-100 J CH	a
POWER AMP	O C	0126	87-A10-596-080	C-CAP,S 100P-100 J CH	a
POWER AMP	O C	0133	87-012-282-080	C-CAP,U 4700P-50 K B	a

! =  $\Delta$  SAFTY PARTS  
 C = Components marked

All components used on this model at the production line are shown in this service manual.  
 However, please note that not all components will be available as spare parts for after-sales service.  
 Components marked S and O are designated as spare parts for service and will be stocked at the spare parts centers.  
 Components marked X and R are not designated as spare parts for after sales service, and will not be stocked at the spare parts centers.

UNIT-NAME	! C	REF-NO	PARTS-NO	PARTS-NAME	SUFFIX&MODEL
					CX-SNR60 LHSC
POWER AMP	O C	0140	87-012-278-080	C-CAP,U 2200P-50 K B	a
POWER AMP	O C	0145	87-010-971-080	C-CAP,S 4700P-50 J B	a
POWER AMP	O C	0146	87-010-971-080	C-CAP,S 4700P-50 J B	a
POWER AMP	O C	0186	87-010-759-080	C-CAP,U 0.1-25 Z F	a
POWER AMP	O C	0187	87-A12-890-080	CAP,E 10-63 VR	a
POWER AMP	O C	0188	87-A12-890-080	CAP,E 10-63 VR	a
POWER AMP	O C	0201	87-A10-260-080	C-CAP,U 0.1-16 K B	a
POWER AMP	O C	0225	87-012-368-080	C-CAP,S 0.1-50 Z F	a
POWER AMP	O C	0226	87-012-368-080	C-CAP,S 0.1-50 Z F	a
POWER AMP	O C	0227	87-012-368-080	C-CAP,S 0.1-50 Z F	a
POWER AMP	O C	0228	87-012-368-080	C-CAP,S 0.1-50 Z F	a
POWER AMP	O C	0241	87-010-831-080	C-CAP,U 0.1-16 Z F	a
POWER AMP	X CLP	0230	87-A60-884-010	PIN,DIAL COATING-SHS	a
POWER AMP	S D	0101	87-A40-269-080	C-DIODE,MC2836	a
POWER AMP	S D	0103	87-020-465-080	DIODE,1SS133	a
POWER AMP	S D	0104	87-020-465-080	DIODE,1SS133	a
POWER AMP	S D	0105	87-A40-269-080	C-DIODE,MC2836	a
POWER AMP	S D	0106	87-A40-269-080	C-DIODE,MC2836	a
POWER AMP	S D	0107	87-A40-270-080	C-DIODE,MC2838	a
POWER AMP	S D	0108	87-A40-270-080	C-DIODE,MC2838	a
					CX-SNR60 LHSC
POWER AMP	S D	0109	87-A40-488-080	DIODE,1SS244	a
POWER AMP	S D	0110	87-A40-488-080	DIODE,1SS244	a
POWER AMP	S D	0150	87-A40-270-080	C-DIODE,MC2838	a
POWER AMP	S D	0160	87-A40-270-080	C-DIODE,MC2838	a
POWER AMP	S D	0185	87-A40-393-090	DIODE,1N5402GW (F20)	a
POWER AMP	S D	0186	87-A40-393-090	DIODE,1N5402GW (F20)	a
POWER AMP	S D	0187	87-A40-871-080	ZENER,MTZJ5.6C	a
POWER AMP	S D	0188	87-017-931-080	ZENER,MTZJ5.6B	a
POWER AMP	S D	0189	87-A40-270-080	C-DIODE,MC2838	a
POWER AMP	S D	0190	87-A40-269-080	C-DIODE,MC2836	a
POWER AMP	S D	0191	87-A40-345-080	ZENER,MTZJ10C	a
POWER AMP	S D	0192	87-020-465-080	DIODE,1SS133	a
POWER AMP	S D	0193	87-020-465-080	DIODE,1SS133	a
POWER AMP	S D	0201	87-020-465-080	DIODE,1SS133	a
POWER AMP	S D	0280	87-A40-269-080	C-DIODE,MC2836	a
POWER AMP	S D	0281	87-A40-270-080	C-DIODE,MC2838	a
POWER AMP	! O J	0203	87-A60-238-010	TERMINAL,SP 4P (MSC)	a
POWER AMP	O J	0230	8C-NF8-680-010	JACK,CKX-3.5-25 ST W/O SW	a
POWER AMP	X JR	0101	88-108-000-080	C-JUMPER,U	a
POWER AMP	X JR	0102	88-108-000-080	C-JUMPER,U	a
					CX-SNR60 LHSC
POWER AMP	X JR	0103	88-108-000-080	C-JUMPER,U	a
POWER AMP	X JR	0104	88-108-000-080	C-JUMPER,U	a
POWER AMP	X JR	0109	88-108-000-080	C-JUMPER,U	a
POWER AMP	X JW	0101	88-100-000-010	PLATING-JW, 0.58 SN95	a
POWER AMP	X JW	0102	88-100-000-010	PLATING-JW, 0.58 SN95	a
POWER AMP	X JW	0103	88-100-000-010	PLATING-JW, 0.58 SN95	a
POWER AMP	X JW	0104	88-100-000-010	PLATING-JW, 0.58 SN95	a
POWER AMP	X JW	0107	88-100-000-010	PLATING-JW, 0.58 SN95	a
POWER AMP	X JW	0108	88-100-000-010	PLATING-JW, 0.58 SN95	a
POWER AMP	X JW	0109	88-100-000-010	PLATING-JW, 0.58 SN95	a
POWER AMP	X JW	0110	88-100-000-010	PLATING-JW, 0.58 SN95	a
POWER AMP	X JW	0111	88-100-000-010	PLATING-JW, 0.58 SN95	a
POWER AMP	X JW	0112	88-100-000-010	PLATING-JW, 0.58 SN95	a
POWER AMP	X JW	0113	88-100-000-010	PLATING-JW, 0.58 SN95	a
POWER AMP	X JW	0114	88-100-000-010	PLATING-JW, 0.58 SN95	a
POWER AMP	X JW	0115	88-100-000-010	PLATING-JW, 0.58 SN95	a
POWER AMP	X JW	0116	88-100-000-010	PLATING-JW, 0.58 SN95	a
POWER AMP	X JW	0117	88-100-000-010	PLATING-JW, 0.58 SN95	a
POWER AMP	X JW	0118	88-100-000-010	PLATING-JW, 0.58 SN95	a
POWER AMP	X JW	0119	88-100-000-010	PLATING-JW, 0.58 SN95	a
					CX-SNR60 LHSC
POWER AMP	X JW	0120	88-100-000-010	PLATING-JW, 0.58 SN95	a
POWER AMP	X JW	0121	88-100-000-010	PLATING-JW, 0.58 SN95	a
POWER AMP	X JW	0122	88-100-000-010	PLATING-JW, 0.58 SN95	a
POWER AMP	X JW	0123	88-100-000-010	PLATING-JW, 0.58 SN95	a
POWER AMP	X JW	0124	88-100-000-010	PLATING-JW, 0.58 SN95	a
POWER AMP	X JW	0125	88-100-000-010	PLATING-JW, 0.58 SN95	a
POWER AMP	X JW	0126	88-100-000-010	PLATING-JW, 0.58 SN95	a
POWER AMP	X JW	0127	88-100-000-010	PLATING-JW, 0.58 SN95	a
POWER AMP	X JW	0128	88-100-000-010	PLATING-JW, 0.58 SN95	a
POWER AMP	X JW	0129	88-100-000-010	PLATING-JW, 0.58 SN95	a
POWER AMP	X JW	0130	88-100-000-010	PLATING-JW, 0.58 SN95	a
POWER AMP	X JW	0131	88-100-000-010	PLATING-JW, 0.58 SN95	a
POWER AMP	X JW	0132	88-100-000-010	PLATING-JW, 0.58 SN95	a
POWER AMP	X JW	0133	88-100-000-010	PLATING-JW, 0.58 SN95	a
POWER AMP	X JW	0134	88-100-000-010	PLATING-JW, 0.58 SN95	a
POWER AMP	X JW	0135	88-100-000-010	PLATING-JW, 0.58 SN95	a
POWER AMP	X JW	0136	88-100-000-010	PLATING-JW, 0.58 SN95	a
POWER AMP	X JW	0137	88-100-000-010	PLATING-JW, 0.58 SN95	a
POWER AMP	X JW	0138	88-100-000-010	PLATING-JW, 0.58 SN95	a
POWER AMP	X JW	0139	88-100-000-010	PLATING-JW, 0.58 SN95	a

! =  $\Delta$  SAFTY PARTS  
 C = Components marked

All components used on this model at the production line are shown in this service manual.  
 However, please note that not all components will be available as spare parts for after-sales service.  
 Components marked S and O are designated as spare parts for service and will be stocked at the spare parts centers.  
 Components marked X and R are not designated as spare parts for after sales service, and will not be stocked at the spare parts centers.

UNIT-NAME	! C	REF-NO	PARTS-NO	PARTS-NAME	SUFFIX&MODEL
					CX-SNR60 LHSC
POWER AMP	X	JW 0204	88-100-000-010	PLATING-JW, 0.58 SN95	a
POWER AMP	X	JW 0205	88-100-000-010	PLATING-JW, 0.58 SN95	a
POWER AMP	X	JW 0206	88-100-000-010	PLATING-JW, 0.58 SN95	a
POWER AMP	X	JW 0207	88-100-000-010	PLATING-JW, 0.58 SN95	a
POWER AMP	X	JW 0211	88-100-000-010	PLATING-JW, 0.58 SN95	a
POWER AMP	X	JW 0212	88-100-000-010	PLATING-JW, 0.58 SN95	a
POWER AMP	X	JW 0213	88-100-000-010	PLATING-JW, 0.58 SN95	a
POWER AMP	X	JW 0214	88-100-000-010	PLATING-JW, 0.58 SN95	a
POWER AMP	X	JW 0215	88-100-000-010	PLATING-JW, 0.58 SN95	a
POWER AMP	X	JW 0216	88-100-000-010	PLATING-JW, 0.58 SN95	a
POWER AMP	X	JW 0217	88-100-000-010	PLATING-JW, 0.58 SN95	a
POWER AMP	X	JW 0218	88-100-000-010	PLATING-JW, 0.58 SN95	a
POWER AMP	X	JW 0219	88-100-000-010	PLATING-JW, 0.58 SN95	a
POWER AMP	X	JW 0220	88-100-000-010	PLATING-JW, 0.58 SN95	a
POWER AMP	X	JW 0221	88-100-000-010	PLATING-JW, 0.58 SN95	a
POWER AMP	X	JW 0223	88-100-000-010	PLATING-JW, 0.58 SN95	a
POWER AMP	X	JW 0235	88-100-000-010	PLATING-JW, 0.58 SN95	a
POWER AMP	X	JW 0236	88-100-000-010	PLATING-JW, 0.58 SN95	a
POWER AMP	X	JW 0237	88-100-000-010	PLATING-JW, 0.58 SN95	a
POWER AMP	X	JW 0238	88-100-000-010	PLATING-JW, 0.58 SN95	a
					CX-SNR60 LHSC
POWER AMP	X	JW 0240	88-100-000-010	PLATING-JW, 0.58 SN95	a
POWER AMP	X	JW 0243	88-100-000-010	PLATING-JW, 0.58 SN95	a
POWER AMP	X	JW 0249	88-100-000-010	PLATING-JW, 0.58 SN95	a
POWER AMP	O	L 0201	87-A50-611-010	COIL,1UH K(CS)	a
POWER AMP	O	L 0202	87-A50-611-010	COIL,1UH K(CS)	a
POWER AMP	S	Q 0101	87-A30-257-080	C-TR,2SD1306E	a
POWER AMP	S	Q 0102	87-A30-257-080	C-TR,2SD1306E	a
POWER AMP	S	Q 0103	87-A30-663-040	C-TR,2SB792A(RS)	a
POWER AMP	S	Q 0104	87-A30-663-040	C-TR,2SB792A(RS)	a
POWER AMP	S	Q 0105	87-A30-663-040	C-TR,2SB792A(RS)	a
POWER AMP	S	Q 0106	87-A30-663-040	C-TR,2SB792A(RS)	a
POWER AMP	S	Q 0107	87-A30-076-080	C-TR,2SC3052F	a
POWER AMP	S	Q 0108	87-A30-076-080	C-TR,2SC3052F	a
POWER AMP	S	Q 0109	87-A30-076-080	C-TR,2SC3052F	a
POWER AMP	S	Q 0110	87-A30-076-080	C-TR,2SC3052F	a
POWER AMP	S	Q 0111	87-A30-668-080	TR,2SC3478LK	a
POWER AMP	S	Q 0112	87-A30-668-080	TR,2SC3478LK	a
POWER AMP	S	Q 0113	87-A30-076-080	C-TR,2SC3052F	a
POWER AMP	S	Q 0114	87-A30-076-080	C-TR,2SC3052F	a
POWER AMP	S	Q 0115	87-A30-662-040	C-TR,2SD814A(RS)	a
					CX-SNR60 LHSC
POWER AMP	S	Q 0116	87-A30-662-040	C-TR,2SD814A(RS)	a
POWER AMP	S	Q 0123	87-A30-663-040	C-TR,2SB792A(RS)	a
POWER AMP	S	Q 0124	87-A30-663-040	C-TR,2SB792A(RS)	a
POWER AMP	S	Q 0126	87-A30-663-040	C-TR,2SB792A(RS)	a
POWER AMP	S	Q 0127	87-A30-076-080	C-TR,2SC3052F	a
POWER AMP	S	Q 0128	87-A30-076-080	C-TR,2SC3052F	a
POWER AMP	S	Q 0130	87-A30-662-040	C-TR,2SD814A(RS)	a
POWER AMP	S	Q 0131	87-A30-098-010	TR,FP1016	a
POWER AMP	S	Q 0132	87-A30-098-010	TR,FP1016	a
POWER AMP	S	Q 0133	87-A30-097-010	TR,FP1016	a
POWER AMP	S	Q 0134	87-A30-097-010	TR,FP1016	a
POWER AMP	S	Q 0183	87-A30-162-010	FET,2SK2937	a
POWER AMP	S	Q 0184	87-A30-162-010	FET,2SK2937	a
POWER AMP	S	Q 0185	87-A30-076-080	C-TR,2SC3052F	a
POWER AMP	S	Q 0186	87-A30-075-080	C-TR,2SA1235F	a
POWER AMP	S	Q 0187	87-A30-075-080	C-TR,2SA1235F	a
POWER AMP	S	Q 0235	87-A30-075-080	C-TR,2SA1235F	a
POWER AMP	S	Q 0280	87-A30-538-040	C-TR,SRA2202S	a
POWER AMP	S	Q 0281	87-A30-663-040	C-TR,2SB792A(RS)	a
POWER AMP	X	R 0103	88-108-393-080	C-RES,U 39K-1/16W J	a
					CX-SNR60 LHSC
POWER AMP	X	R 0104	88-108-393-080	C-RES,U 39K-1/16W J	a
POWER AMP	X	R 0105	88-108-273-080	C-RES,U 27K-1/16W J	a
POWER AMP	X	R 0106	88-108-273-080	C-RES,U 27K-1/16W J	a
POWER AMP	X	R 0107	88-108-101-080	C-RES,U 100-1/16W J	a
POWER AMP	X	R 0108	88-108-101-080	C-RES,U 100-1/16W J	a
POWER AMP	X	R 0111	88-108-102-080	C-RES,U 1K-1/16W J	a
POWER AMP	X	R 0112	88-108-102-080	C-RES,U 1K-1/16W J	a
POWER AMP	X	R 0113	88-118-273-080	C-RES,S 27K-1/10W J	a
POWER AMP	X	R 0114	88-118-273-080	C-RES,S 27K-1/10W J	a
POWER AMP	X	R 0115	88-128-222-080	C-RES, 2.2K-1/8W J	a
POWER AMP	X	R 0116	88-128-222-080	C-RES, 2.2K-1/8W J	a
POWER AMP	X	R 0117	88-108-103-080	C-RES,U 10K-1/16W J	a
POWER AMP	X	R 0118	88-108-103-080	C-RES,U 10K-1/16W J	a
POWER AMP	X	R 0119	88-108-101-080	C-RES,U 100-1/16W J	a
POWER AMP	X	R 0120	88-108-101-080	C-RES,U 100-1/16W J	a
POWER AMP	X	R 0121	88-108-101-080	C-RES,U 100-1/16W J	a
POWER AMP	X	R 0122	88-108-101-080	C-RES,U 100-1/16W J	a
POWER AMP	X	R 0123	88-128-222-080	C-RES, 2.2K-1/8W J	a
POWER AMP	X	R 0124	88-128-222-080	C-RES, 2.2K-1/8W J	a
POWER AMP	X	R 0125	88-128-102-080	C-RES, 1K-1/8W J	a

! =  $\Delta$  SAFTY PARTS  
 C = Components marked

All components used on this model at the production line are shown in this service manual.  
 However, please note that not all components will be available as spare parts for after-sales service.  
 Components marked S and O are designated as spare parts for service and will be stocked at the spare parts centers.  
 Components marked X and R are not designated as spare parts for after sales service, and will not be stocked at the spare parts centers.

UNIT-NAME	! C	REF-NO	PARTS-NO	PARTS-NAME	SUFFIX&MODEL
					CX-SNR60 LHSC
POWER AMP	X R	0126	88-128-102-080	C-RES, 1K-1/8W J	a
POWER AMP	X R	0127	88-108-390-080	C-RES,U 39-1/16W J	a
POWER AMP	X R	0128	88-108-390-080	C-RES,U 39-1/16W J	a
POWER AMP	O R	0129	87-A00-262-080	RES,M/F 0.15-2W J	a
POWER AMP	O R	0130	87-A00-262-080	RES,M/F 0.15-2W J	a
POWER AMP	O R	0131	87-A00-262-080	RES,M/F 0.15-2W J	a
POWER AMP	O R	0132	87-A00-262-080	RES,M/F 0.15-2W J	a
POWER AMP	X R	0133	88-108-472-080	C-RES,U 4.7K-1/16W J	a
POWER AMP	X R	0134	88-108-472-080	C-RES,U 4.7K-1/16W J	a
POWER AMP	X R	0135	88-108-152-080	C-RES,U 1.5K-1/16W J	a
POWER AMP	X R	0136	88-108-152-080	C-RES,U 1.5K-1/16W J	a
POWER AMP	X R	0137	88-108-101-080	C-RES,U 100-1/16W J	a
POWER AMP	X R	0138	88-108-101-080	C-RES,U 100-1/16W J	a
POWER AMP	X R	0141	88-118-102-080	C-RES,S 1K-1/10W J	a
POWER AMP	X R	0142	88-118-102-080	C-RES,S 1K-1/10W J	a
POWER AMP	X R	0143	88-108-392-080	C-RES,U 3.9K-1/16W J	a
POWER AMP	X R	0145	88-108-123-080	C-RES,U 12K-1/16W J	a
POWER AMP	X R	0146	88-108-123-080	C-RES,U 12K-1/16W J	a
POWER AMP	X R	0149	88-108-392-080	C-RES,U 3.9K-1/16W J	a
POWER AMP	X R	0151	88-108-473-080	C-RES,U 47K-1/16W J	a
					CX-SNR60 LHSC
POWER AMP	X R	0152	88-108-473-080	C-RES,U 47K-1/16W J	a
POWER AMP	X R	0153	88-128-272-080	C-RES, 2.7K-1/8W J	a
POWER AMP	X R	0155	88-108-822-080	C-RES,U 8.2K-1/16W J	a
POWER AMP	X R	0156	88-108-822-080	C-RES,U 8.2K-1/16W J	a
POWER AMP	X R	0157	88-108-472-080	C-RES,U 4.7K-1/16W J	a
POWER AMP	X R	0158	88-108-472-080	C-RES,U 4.7K-1/16W J	a
POWER AMP	X R	0159	88-108-103-080	C-RES,U 10K-1/16W J	a
POWER AMP	X R	0160	88-121-103-080	RES,10K-1/8W J	a
POWER AMP	X R	0161	88-108-472-080	C-RES,U 4.7K-1/16W J	a
POWER AMP	X R	0162	88-108-472-080	C-RES,U 4.7K-1/16W J	a
POWER AMP	X R	0163	88-108-472-080	C-RES,U 4.7K-1/16W J	a
POWER AMP	X R	0164	88-108-472-080	C-RES,U 4.7K-1/16W J	a
POWER AMP	X R	0165	88-108-152-080	C-RES,U 1.5K-1/16W J	a
POWER AMP	X R	0166	88-108-152-080	C-RES,U 1.5K-1/16W J	a
POWER AMP	X R	0167	88-108-103-080	C-RES,U 10K-1/16W J	a
POWER AMP	X R	0168	88-108-473-080	C-RES,U 47K-1/16W J	a
POWER AMP	X R	0171	88-108-222-080	C-RES,U 2.2K-1/16W J	a
POWER AMP	X R	0172	88-108-222-080	C-RES,U 2.2K-1/16W J	a
POWER AMP	X R	0173	88-108-182-080	C-RES,U 1.8K-1/16W J	a
POWER AMP	X R	0174	88-108-182-080	C-RES,U 1.8K-1/16W J	a
					CX-SNR60 LHSC
POWER AMP	X R	0175	88-108-331-080	C-RES,U 330-1/16W J	a
POWER AMP	X R	0176	88-108-331-080	C-RES,U 330-1/16W J	a
POWER AMP	X R	0177	88-128-392-080	C-RES, 3.9K-1/8W J	a
POWER AMP	X R	0178	88-108-103-080	C-RES,U 10K-1/16W J	a
POWER AMP	X R	0179	88-108-102-080	C-RES,U 1K-1/16W J	a
POWER AMP	X R	0180	88-108-102-080	C-RES,U 1K-1/16W J	a
POWER AMP	X R	0181	88-108-222-080	C-RES,U 2.2K-1/16W J	a
POWER AMP	X R	0182	88-108-222-080	C-RES,U 2.2K-1/16W J	a
POWER AMP	X R	0184	88-118-102-080	C-RES,S 1K-1/10W J	a
POWER AMP	X R	0185	88-108-332-080	C-RES,U 3.3K-1/16W J	a
POWER AMP	X R	0186	88-118-102-080	C-RES,S 1K-1/10W J	a
POWER AMP	X R	0187	88-118-103-080	C-RES,S 10K-1/10W J	a
POWER AMP	X R	0188	88-118-222-080	C-RES,S 2.2K-1/10W J	a
POWER AMP	X R	0189	88-128-272-080	C-RES, 2.7K-1/8W J	a
POWER AMP	X R	0190	88-128-272-080	C-RES, 2.7K-1/8W J	a
POWER AMP	X R	0192	88-128-392-080	C-RES, 3.9K-1/8W J	a
POWER AMP	X R	0193	88-108-103-080	C-RES,U 10K-1/16W J	a
POWER AMP	X R	0194	88-108-103-080	C-RES,U 10K-1/16W J	a
POWER AMP	X R	0195	88-108-473-080	C-RES,U 47K-1/16W J	a
POWER AMP	X R	0196	88-108-473-080	C-RES,U 47K-1/16W J	a
					CX-SNR60 LHSC
POWER AMP	X R	0197	88-108-473-080	C-RES,U 47K-1/16W J	a
POWER AMP	X R	0198	88-108-473-080	C-RES,U 47K-1/16W J	a
POWER AMP	X R	0199	88-108-225-080	C-RES,U 2.2M-1/16W J	a
POWER AMP	X R	0217	88-108-683-080	C-RES,U 68K-1/16W J	a
POWER AMP	X R	0218	88-108-105-080	C-RES,U 1M-1/16W J	a
POWER AMP	X R	0219	88-108-000-080	C-JUMPER,U	a
POWER AMP	X R	0221	88-121-180-080	RES,18-1/8W J	a
POWER AMP	X R	0222	88-121-180-080	RES,18-1/8W J	a
POWER AMP	X R	0223	88-121-180-080	RES,18-1/8W J	a
POWER AMP	O R	0230	87-A00-441-050	RES,270-1/2W J RP	a
POWER AMP	O R	0231	87-A00-441-050	RES,270-1/2W J RP	a
POWER AMP	O R	0232	87-A00-441-050	RES,270-1/2W J RP	a
POWER AMP	O R	0233	87-A00-441-050	RES,270-1/2W J RP	a
POWER AMP	X R	0234	88-128-222-080	C-RES, 2.2K-1/8W J	a
POWER AMP	X R	0235	88-128-222-080	C-RES, 2.2K-1/8W J	a
POWER AMP	X R	0247	88-130-100-080	RES,10-1/4W J	a
POWER AMP	X R	0248	88-130-100-080	RES,10-1/4W J	a
POWER AMP	X R	0249	88-128-100-080	C-RES, 10-1/8W J	a
POWER AMP	X R	0250	88-128-100-080	C-RES, 10-1/8W J	a
POWER AMP	X R	0280	88-108-473-080	C-RES,U 47K-1/16W J	a

! =  $\Delta$  SAFTY PARTS  
 C = Components marked

All components used on this model at the production line are shown in this service manual.  
 However, please note that not all components will be available as spare parts for after-sales service.  
 Components marked S and O are designated as spare parts for service and will be stocked at the spare parts centers.  
 Components marked X and R are not designated as spare parts for after sales service, and will not be stocked at the spare parts centers.

UNIT-NAME	! C	REF-NO	PARTS-NO	PARTS-NAME	SUFFIX&MODEL
					CX-SNR60 LHSC
POWER AMP	X R	0281	88-108-222-080	C-RES,U 2.2K-1/16W J	a
POWER AMP	X R	0282	88-108-103-080	C-RES,U 10K-1/16W J	a
POWER AMP	X R	0283	88-108-224-080	C-RES,U 220K-1/16W J	a
POWER AMP	X R	0284	88-108-224-080	C-RES,U 220K-1/16W J	a
POWER AMP	X R	0285	88-108-223-080	C-RES,U 22K-1/16W J	a
POWER AMP	X R	0286	88-108-473-080	C-RES,U 47K-1/16W J	a
POWER AMP	X R	0287	88-108-473-080	C-RES,U 47K-1/16W J	a
POWER AMP	! O RY	0201	87-A91-686-010	RELAY, G5PA-28 (OMRON)	a
POWER AMP	O TH	0101	87-A91-042-080	C-THMS,100K 55001	a
POWER AMP	O TH	0102	87-A91-042-080	C-THMS,100K 55001	a
POWER AMP	O W	0101	8B-NF1-640-010	F-CABLE,5P 2.5 250MM	a
POWER AMP	! O WH	0101	87-A90-459-010	HLDR,WIRE 2.5-5P	a
POWER AMP	! O WH	0230	87-A90-459-010	HLDR,WIRE 2.5-5P	a
P-SUPPLY/PWB/FAN	X *		8C-NF8-630-010	PWB,COMB MAIN U/LH/HR/V	a
P-SUPPLY/PWB/FAN	X *		8C-NF8-638-010	PWB,HP (FOR MIC MODEL) U/LH/HR/	a
P-SUPPLY/PWB/FAN	X *		8C-NF8-631-010	PWB,MAIN U/LH/HR/V	a
P-SUPPLY/PWB/FAN	X *		8C-NF8-637-010	PWB,VF U/LH/HR/V	a
P-SUPPLY/PWB/FAN	O C	0003	87-012-368-080	C-CAP,S 0.1-50 Z F	a
P-SUPPLY/PWB/FAN	O C	0004	87-012-368-080	C-CAP,S 0.1-50 Z F	a
P-SUPPLY/PWB/FAN	O C	0005	87-012-368-080	C-CAP,S 0.1-50 Z F	a
					CX-SNR60 LHSC
P-SUPPLY/PWB/FAN	O C	0006	87-012-368-080	C-CAP,S 0.1-50 Z F	a
P-SUPPLY/PWB/FAN	O C	0009	87-010-759-080	C-CAP,U 0.1-25 Z F	a
P-SUPPLY/PWB/FAN	O C	0010	87-010-759-080	C-CAP,U 0.1-25 Z F	a
P-SUPPLY/PWB/FAN	O C	0011	87-010-759-080	C-CAP,U 0.1-25 Z F	a
P-SUPPLY/PWB/FAN	O C	0012	87-010-759-080	C-CAP,U 0.1-25 Z F	a
P-SUPPLY/PWB/FAN	O C	0013	87-012-282-080	C-CAP,U 4700P-50 K B	a
P-SUPPLY/PWB/FAN	O C	0014	87-010-260-080	CAP,E 47-25 M 11L SME	a
P-SUPPLY/PWB/FAN	O C	0016	87-012-286-080	C-CAP,U 0.01-25 K B	a
P-SUPPLY/PWB/FAN	O C	0019	87-A12-383-000	CAP,E 3300-65 M 85 IV LELON	a
P-SUPPLY/PWB/FAN	O C	0020	87-A12-383-000	CAP,E 3300-65 M 85 IV LELON	a
P-SUPPLY/PWB/FAN	O C	0021	87-A12-439-000	CAP,E 4700-35 M 85 IV LELON	a
P-SUPPLY/PWB/FAN	O C	0022	87-A12-439-000	CAP,E 4700-35 M 85 IV LELON	a
P-SUPPLY/PWB/FAN	O C	0031	87-010-263-080	CAP,E 100-10 M 11L SME	a
P-SUPPLY/PWB/FAN	O C	0034	87-010-260-080	CAP,E 47-25 M 11L SME	a
P-SUPPLY/PWB/FAN	O C	0035	87-A12-091-080	CAP,E 10-50 SMG	a
P-SUPPLY/PWB/FAN	O C	0036	87-010-260-080	CAP,E 47-25 M 11L SME	a
P-SUPPLY/PWB/FAN	O C	0060	87-010-403-080	CAP,E 3.3-50 M 11L SME	a
P-SUPPLY/PWB/FAN	O C	0061	87-010-260-080	CAP,E 47-25 M 11L SME	a
P-SUPPLY/PWB/FAN	O C	0083	87-010-387-080	CAP,E 470-25 M SME	a
P-SUPPLY/PWB/FAN	O C	0097	87-010-831-080	C-CAP,U 0.1-16 Z F	a
					CX-SNR60 LHSC
P-SUPPLY/PWB/FAN	! O	CNA0001	8A-NF8-653-010	CONN ASSY,9P TID-A (480)	a
P-SUPPLY/PWB/FAN	S D	0001	87-A40-393-090	DIODE,1N5402GW (F20)	a
P-SUPPLY/PWB/FAN	S D	0002	87-A40-393-090	DIODE,1N5402GW (F20)	a
P-SUPPLY/PWB/FAN	S D	0003	87-A40-393-090	DIODE,1N5402GW (F20)	a
P-SUPPLY/PWB/FAN	S D	0004	87-A40-393-090	DIODE,1N5402GW (F20)	a
P-SUPPLY/PWB/FAN	S D	0009	87-A40-838-090	DIODE,G3SBA60L-6088	a
P-SUPPLY/PWB/FAN	S D	0011	87-A40-270-080	C-DIODE,MC2838	a
P-SUPPLY/PWB/FAN	S D	0021	87-A40-345-080	ZENER,MTZJ10C	a
P-SUPPLY/PWB/FAN	S D	0029	87-A40-336-080	ZENER,MTZJ27D T-72	a
P-SUPPLY/PWB/FAN	S D	0030	87-020-465-080	DIODE,1SS133	a
P-SUPPLY/PWB/FAN	S D	0032	87-020-465-080	DIODE,1SS133	a
P-SUPPLY/PWB/FAN	S D	0041	87-A40-270-080	C-DIODE,MC2838	a
P-SUPPLY/PWB/FAN	S D	0042	87-A40-269-080	C-DIODE,MC2836	a
P-SUPPLY/PWB/FAN	S D	0060	87-020-465-080	DIODE,1SS133	a
P-SUPPLY/PWB/FAN	S D	0063	87-A40-270-080	C-DIODE,MC2838	a
P-SUPPLY/PWB/FAN	S D	0064	87-A40-269-080	C-DIODE,MC2836	a
P-SUPPLY/PWB/FAN	S D	0076	87-A40-269-080	C-DIODE,MC2836	a
P-SUPPLY/PWB/FAN	S D	0077	87-A40-270-080	C-DIODE,MC2838	a
P-SUPPLY/PWB/FAN	S IC	0001	87-A21-364-010	IC,NJM7806FA (A)	a
P-SUPPLY/PWB/FAN	X JR	0001	88-108-000-080	C-JUMPER,U	a
					CX-SNR60 LHSC
P-SUPPLY/PWB/FAN	X JR	0002	88-108-000-080	C-JUMPER,U	a
P-SUPPLY/PWB/FAN	X JR	0003	88-108-000-080	C-JUMPER,U	a
P-SUPPLY/PWB/FAN	X JW	0003	88-100-000-010	PLATING-JW, 0.58 SN95	a
P-SUPPLY/PWB/FAN	X JW	0006	88-100-000-010	PLATING-JW, 0.58 SN95	a
P-SUPPLY/PWB/FAN	X JW	0007	88-100-000-010	PLATING-JW, 0.58 SN95	a
P-SUPPLY/PWB/FAN	X JW	0008	88-100-000-010	PLATING-JW, 0.58 SN95	a
P-SUPPLY/PWB/FAN	X JW	0009	88-100-000-010	PLATING-JW, 0.58 SN95	a
P-SUPPLY/PWB/FAN	X JW	0010	88-100-000-010	PLATING-JW, 0.58 SN95	a
P-SUPPLY/PWB/FAN	X JW	0011	88-100-000-010	PLATING-JW, 0.58 SN95	a
P-SUPPLY/PWB/FAN	X JW	0012	88-100-000-010	PLATING-JW, 0.58 SN95	a
P-SUPPLY/PWB/FAN	X JW	0013	88-100-000-010	PLATING-JW, 0.58 SN95	a
P-SUPPLY/PWB/FAN	X JW	0014	88-100-000-010	PLATING-JW, 0.58 SN95	a
P-SUPPLY/PWB/FAN	X JW	0015	88-100-000-010	PLATING-JW, 0.58 SN95	a
P-SUPPLY/PWB/FAN	X JW	0016	88-100-000-010	PLATING-JW, 0.58 SN95	a
P-SUPPLY/PWB/FAN	X JW	0017	88-100-000-010	PLATING-JW, 0.58 SN95	a
P-SUPPLY/PWB/FAN	X JW	0018	88-100-000-010	PLATING-JW, 0.58 SN95	a
P-SUPPLY/PWB/FAN	X JW	0019	88-100-000-010	PLATING-JW, 0.58 SN95	a
P-SUPPLY/PWB/FAN	X JW	0020	88-100-000-010	PLATING-JW, 0.58 SN95	a
P-SUPPLY/PWB/FAN	X JW	0021	88-100-000-010	PLATING-JW, 0.58 SN95	a
P-SUPPLY/PWB/FAN	X JW	0022	88-100-000-010	PLATING-JW, 0.58 SN95	a

! =  $\Delta$  SAFTY PARTS  
 C = Components marked

All components used on this model at the production line are shown in this service manual.  
 However, please note that not all components will be available as spare parts for after-sales service.  
 Components marked S and O are designated as spare parts for service and will be stocked at the spare parts centers.  
 Components marked X and R are not designated as spare parts for after sales service, and will not be stocked at the spare parts centers.

UNIT-NAME	! C	REF-NO	PARTS-NO	PARTS-NAME	SUFFIX&MODEL
					CX-SNR60 LHSC
P-SUPPLY/PWB/FAN	X	JW 0024	88-100-000-010	PLATING-JW, 0.58 SN95	a
P-SUPPLY/PWB/FAN	X	JW 0025	88-100-000-010	PLATING-JW, 0.58 SN95	a
P-SUPPLY/PWB/FAN	X	JW 0026	88-100-000-010	PLATING-JW, 0.58 SN95	a
P-SUPPLY/PWB/FAN	X	JW 0027	88-100-000-010	PLATING-JW, 0.58 SN95	a
P-SUPPLY/PWB/FAN	X	JW 0028	88-100-000-010	PLATING-JW, 0.58 SN95	a
P-SUPPLY/PWB/FAN	X	JW 0029	88-100-000-010	PLATING-JW, 0.58 SN95	a
P-SUPPLY/PWB/FAN	X	JW 0030	88-100-000-010	PLATING-JW, 0.58 SN95	a
P-SUPPLY/PWB/FAN	X	JW 0031	88-100-000-010	PLATING-JW, 0.58 SN95	a
P-SUPPLY/PWB/FAN	X	JW 0032	88-100-000-010	PLATING-JW, 0.58 SN95	a
P-SUPPLY/PWB/FAN	X	JW 0033	88-100-000-010	PLATING-JW, 0.58 SN95	a
P-SUPPLY/PWB/FAN	X	JW 0034	88-100-000-010	PLATING-JW, 0.58 SN95	a
P-SUPPLY/PWB/FAN	X	JW 0035	88-100-000-010	PLATING-JW, 0.58 SN95	a
P-SUPPLY/PWB/FAN	X	JW 0036	88-100-000-010	PLATING-JW, 0.58 SN95	a
P-SUPPLY/PWB/FAN	X	JW 0037	88-100-000-010	PLATING-JW, 0.58 SN95	a
P-SUPPLY/PWB/FAN	X	JW 0038	88-100-000-010	PLATING-JW, 0.58 SN95	a
P-SUPPLY/PWB/FAN	X	JW 0039	88-100-000-010	PLATING-JW, 0.58 SN95	a
P-SUPPLY/PWB/FAN	X	JW 0040	88-100-000-010	PLATING-JW, 0.58 SN95	a
P-SUPPLY/PWB/FAN	X	JW 0041	88-100-000-010	PLATING-JW, 0.58 SN95	a
P-SUPPLY/PWB/FAN	X	JW 0042	88-100-000-010	PLATING-JW, 0.58 SN95	a
P-SUPPLY/PWB/FAN	X	JW 0043	88-100-000-010	PLATING-JW, 0.58 SN95	a
					CX-SNR60 LHSC
P-SUPPLY/PWB/FAN	X	JW 0044	88-100-000-010	PLATING-JW, 0.58 SN95	a
P-SUPPLY/PWB/FAN	X	JW 0045	88-100-000-010	PLATING-JW, 0.58 SN95	a
P-SUPPLY/PWB/FAN	X	JW 0046	88-100-000-010	PLATING-JW, 0.58 SN95	a
P-SUPPLY/PWB/FAN	X	JW 0047	88-100-000-010	PLATING-JW, 0.58 SN95	a
P-SUPPLY/PWB/FAN	X	JW 0048	88-100-000-010	PLATING-JW, 0.58 SN95	a
P-SUPPLY/PWB/FAN	X	JW 0049	88-100-000-010	PLATING-JW, 0.58 SN95	a
P-SUPPLY/PWB/FAN	X	JW 0051	88-100-000-010	PLATING-JW, 0.58 SN95	a
P-SUPPLY/PWB/FAN	X	JW 0052	88-100-000-010	PLATING-JW, 0.58 SN95	a
P-SUPPLY/PWB/FAN	X	JW 0053	88-100-000-010	PLATING-JW, 0.58 SN95	a
P-SUPPLY/PWB/FAN	X	JW 0054	88-100-000-010	PLATING-JW, 0.58 SN95	a
P-SUPPLY/PWB/FAN	X	JW 0055	88-100-000-010	PLATING-JW, 0.58 SN95	a
P-SUPPLY/PWB/FAN	X	JW 0056	88-100-000-010	PLATING-JW, 0.58 SN95	a
P-SUPPLY/PWB/FAN	X	JW 0057	88-100-000-010	PLATING-JW, 0.58 SN95	a
P-SUPPLY/PWB/FAN	X	JW 0058	88-100-000-010	PLATING-JW, 0.58 SN95	a
P-SUPPLY/PWB/FAN	X	JW 0060	88-100-000-010	PLATING-JW, 0.58 SN95	a
P-SUPPLY/PWB/FAN	X	JW 0061	88-100-000-010	PLATING-JW, 0.58 SN95	a
P-SUPPLY/PWB/FAN	X	JW 0062	88-100-000-010	PLATING-JW, 0.58 SN95	a
P-SUPPLY/PWB/FAN	X	JW 0063	88-100-000-010	PLATING-JW, 0.58 SN95	a
P-SUPPLY/PWB/FAN	X	JW 0064	88-100-000-010	PLATING-JW, 0.58 SN95	a
P-SUPPLY/PWB/FAN	X	JW 0065	88-100-000-010	PLATING-JW, 0.58 SN95	a
					CX-SNR60 LHSC
P-SUPPLY/PWB/FAN	X	JW 0066	88-100-000-010	PLATING-JW, 0.58 SN95	a
P-SUPPLY/PWB/FAN	X	JW 0067	88-100-000-010	PLATING-JW, 0.58 SN95	a
P-SUPPLY/PWB/FAN	X	JW 0068	88-100-000-010	PLATING-JW, 0.58 SN95	a
P-SUPPLY/PWB/FAN	X	JW 0069	88-100-000-010	PLATING-JW, 0.58 SN95	a
P-SUPPLY/PWB/FAN	X	JW 0079	88-100-000-010	PLATING-JW, 0.58 SN95	a
P-SUPPLY/PWB/FAN	X	JW 0085	88-100-000-010	PLATING-JW, 0.58 SN95	a
P-SUPPLY/PWB/FAN	S	Q 0001	87-A30-494-080	TR, 2SA1980G	a
P-SUPPLY/PWB/FAN	S	Q 0002	87-A30-494-080	TR, 2SA1980G	a
P-SUPPLY/PWB/FAN	S	Q 0003	87-A30-076-080	C-TR, 2SC3052F	a
P-SUPPLY/PWB/FAN	S	Q 0006	87-A30-076-080	C-TR, 2SC3052F	a
P-SUPPLY/PWB/FAN	S	Q 0009	87-A30-494-080	TR, 2SA1980G	a
P-SUPPLY/PWB/FAN	S	Q 0010	87-A30-076-080	C-TR, 2SC3052F	a
P-SUPPLY/PWB/FAN	S	Q 0011	87-A30-614-010	TR, 2SB1548	a
P-SUPPLY/PWB/FAN	S	Q 0012	87-A30-630-080	TR, 2SC5343GL	a
P-SUPPLY/PWB/FAN	S	Q 0014	87-A30-075-080	C-TR, 2SA1235F	a
P-SUPPLY/PWB/FAN	S	Q 0060	87-A30-076-080	C-TR, 2SC3052F	a
P-SUPPLY/PWB/FAN	S	Q 0061	87-A30-075-080	C-TR, 2SA1235F	a
P-SUPPLY/PWB/FAN	S	Q 0062	87-A30-076-080	C-TR, 2SC3052F	a
P-SUPPLY/PWB/FAN	S	Q 0063	87-A30-075-080	C-TR, 2SA1235F	a
P-SUPPLY/PWB/FAN	S	Q 0064	87-A30-076-080	C-TR, 2SC3052F	a
					CX-SNR60 LHSC
P-SUPPLY/PWB/FAN	X	R 0001	88-100-000-010	PLATING-JW, 0.58 SN95	a
P-SUPPLY/PWB/FAN	X	R 0005	88-100-000-010	PLATING-JW, 0.58 SN95	a
P-SUPPLY/PWB/FAN	X	R 0009	88-108-183-080	C-RES,U 18K-1/16W J	a
P-SUPPLY/PWB/FAN	X	R 0010	88-108-183-080	C-RES,U 18K-1/16W J	a
P-SUPPLY/PWB/FAN	X	R 0011	88-118-472-080	C-RES,S 4.7K-1/10W J	a
P-SUPPLY/PWB/FAN	X	R 0012	88-118-472-080	C-RES,S 4.7K-1/10W J	a
P-SUPPLY/PWB/FAN	X	R 0013	88-108-472-080	C-RES,U 4.7K-1/16W J	a
P-SUPPLY/PWB/FAN	X	R 0014	88-108-100-080	C-RES,U 10-1/16W J	a
P-SUPPLY/PWB/FAN	X	R 0015	88-121-104-080	RES,100K-1/8W J	a
P-SUPPLY/PWB/FAN	X	R 0024	88-108-103-080	C-RES,U 10K-1/16W J	a
P-SUPPLY/PWB/FAN	X	R 0026	88-108-472-080	C-RES,U 4.7K-1/16W J	a
P-SUPPLY/PWB/FAN	X	R 0027	88-118-000-080	C-JUMPER,S	a
P-SUPPLY/PWB/FAN	X	R 0028	88-118-221-080	C-RES,S 220-1/10W J	a
P-SUPPLY/PWB/FAN	X	R 0029	88-108-223-080	C-RES,U 22K-1/16W J	a
P-SUPPLY/PWB/FAN	X	R 0031	88-121-154-080	RES,150K-1/8W J	a
P-SUPPLY/PWB/FAN	X	R 0032	88-108-472-080	C-RES,U 4.7K-1/16W J	a
P-SUPPLY/PWB/FAN	X	R 0035	88-108-123-080	C-RES,U 12K-1/16W J	a
P-SUPPLY/PWB/FAN	X	R 0037	88-118-102-080	C-RES,S 1K-1/10W J	a
P-SUPPLY/PWB/FAN	X	R 0038	88-118-102-080	C-RES,S 1K-1/10W J	a
P-SUPPLY/PWB/FAN	X	R 0042	88-121-331-080	RES,330-1/8W J	a



! =  $\Delta$  SAFTY PARTS  
 C = Components marked

All components used on this model at the production line are shown in this service manual.  
 However, please note that not all components will be available as spare parts for after-sales service.  
 Components marked S and O are designated as spare parts for service and will be stocked at the spare parts centers.  
 Components marked X and R are not designated as spare parts for after sales service, and will not be stocked at the spare parts centers.

UNIT-NAME	! C	REF-NO	PARTS-NO	PARTS-NAME	SUFFIX&MODEL
					CX-SNR60 LHSC
P-SUPPLY/PWB/FAN	X R	0043	88-121-391-080	RES,390-1/8W J	a
P-SUPPLY/PWB/FAN	X R	0044	88-121-331-080	RES,330-1/8W J	a
P-SUPPLY/PWB/FAN	X R	0045	88-121-391-080	RES,390-1/8W J	a
P-SUPPLY/PWB/FAN	X R	0046	88-121-471-080	RES,470-1/8W J	a
P-SUPPLY/PWB/FAN	X R	0050	88-108-183-080	C-RES,U 18K-1/16W J	a
P-SUPPLY/PWB/FAN	X R	0051	88-108-102-080	C-RES,U 1K-1/16W J	a
P-SUPPLY/PWB/FAN	X R	0052	88-108-102-080	C-RES,U 1K-1/16W J	a
P-SUPPLY/PWB/FAN	X R	0053	88-108-563-080	C-RES,U 56K-1/16W J	a
P-SUPPLY/PWB/FAN	X R	0054	88-108-682-080	C-RES,U 6.8K-1/16W J	a
P-SUPPLY/PWB/FAN	X R	0055	88-121-152-080	RES,1.5K-1/8W J	a
P-SUPPLY/PWB/FAN	X R	0056	88-108-680-080	C-RES,U 68-1/16W J	a
P-SUPPLY/PWB/FAN	X R	0057	88-108-472-080	C-RES,U 4.7K-1/16W J	a
P-SUPPLY/PWB/FAN	X R	0058	88-108-103-080	C-RES,U 10K-1/16W J	a
P-SUPPLY/PWB/FAN	X R	0059	88-108-221-080	C-RES,U 220-1/16W J	a
P-SUPPLY/PWB/FAN	X R	0060	88-108-471-080	C-RES,U 470-1/16W J	a
P-SUPPLY/PWB/FAN	X R	0061	88-108-103-080	C-RES,U 10K-1/16W J	a
P-SUPPLY/PWB/FAN	X R	0062	88-108-223-080	C-RES,U 22K-1/16W J	a
P-SUPPLY/PWB/FAN	X R	0063	88-108-223-080	C-RES,U 22K-1/16W J	a
P-SUPPLY/PWB/FAN	X R	0064	88-108-103-080	C-RES,U 10K-1/16W J	a
P-SUPPLY/PWB/FAN	X R	0065	88-108-123-080	C-RES,U 12K-1/16W J	a
					CX-SNR60 LHSC
P-SUPPLY/PWB/FAN	X R	0066	88-108-104-080	C-RES,U 100K-1/16W J	a
P-SUPPLY/PWB/FAN	X R	0067	88-108-103-080	C-RES,U 10K-1/16W J	a
P-SUPPLY/PWB/FAN	X R	0068	88-128-152-080	C-RES, 1.5K-1/8W J	a
P-SUPPLY/PWB/FAN	X R	0076	88-108-103-080	C-RES,U 10K-1/16W J	a
P-SUPPLY/PWB/FAN	X R	0078	88-108-333-080	C-RES,U 33K-1/16W J	a
P-SUPPLY/PWB/FAN	X R	0079	88-108-822-080	C-RES,U 8.2K-1/16W J	a
P-SUPPLY/PWB/FAN	X R	0081	88-108-101-080	C-RES,U 100-1/16W J	a
P-SUPPLY/PWB/FAN	X R	0085	88-108-103-080	C-RES,U 10K-1/16W J	a
P-SUPPLY/PWB/FAN	X R	0093	88-108-823-080	C-RES,U 82K-1/16W J	a
P-SUPPLY/PWB/FAN	X R	0094	88-108-333-080	C-RES,U 33K-1/16W J	a
P-SUPPLY/PWB/FAN	X R	0095	88-108-822-080	C-RES,U 8.2K-1/16W J	a
P-SUPPLY/PWB/FAN	X R	0096	88-108-823-080	C-RES,U 82K-1/16W J	a
P-SUPPLY/PWB/FAN	! O WH	0001	87-A90-510-010	HLDR,WIRE 2,5-9P	a
PT	X *		8C-NF7-650-010	PWB,PT 76 2M	a
PT	O C	0091	87-A11-132-080	CAP,TC U 0.01-50 K B	a
PT	! O CN	0002	87-A61-110-010	CONN,9P V TID-A	a
PT	S D	0091	87-020-465-080	DIODE,1SS133	a
PT	S D	0092	87-020-465-080	DIODE,1SS133	a
PT	S D	0093	87-020-465-080	DIODE,1SS133	a
PT	S D	0094	87-020-465-080	DIODE,1SS133	a
					CX-SNR60 LHSC
PT	X JW	0001	88-100-000-010	PLATING-JW, 0.58 SN95	a
PT	X JW	0002	88-100-000-010	PLATING-JW, 0.58 SN95	a
PT	X JW	0003	88-100-000-010	PLATING-JW, 0.58 SN95	a
PT	X JW	0004	88-100-000-010	PLATING-JW, 0.58 SN95	a
PT	X JW	0005	88-100-000-010	PLATING-JW, 0.58 SN95	a
PT	X JW	0006	88-100-000-010	PLATING-JW, 0.58 SN95	a
PT	X JW	0007	88-100-000-010	PLATING-JW, 0.58 SN95	a
PT	X JW	0008	88-100-000-010	PLATING-JW, 0.58 SN95	a
PT	X JW	0009	88-100-000-010	PLATING-JW, 0.58 SN95	a
PT	X JW	0010	88-100-000-010	PLATING-JW, 0.58 SN95	a
PT	X JW	0011	88-100-000-010	PLATING-JW, 0.58 SN95	a
PT	X JW	0012	88-100-000-010	PLATING-JW, 0.58 SN95	a
PT	X JW	0013	88-100-000-010	PLATING-JW, 0.58 SN95	a
PT	X JW	0014	88-100-000-010	PLATING-JW, 0.58 SN95	a
PT	X JW	0015	88-100-000-010	PLATING-JW, 0.58 SN95	a
PT	X JW	0016	88-100-000-010	PLATING-JW, 0.58 SN95	a
PT	X JW	0017	88-100-000-010	PLATING-JW, 0.58 SN95	a
PT	X JW	0018	88-100-000-010	PLATING-JW, 0.58 SN95	a
PT	X JW	0019	88-100-000-010	PLATING-JW, 0.58 SN95	a
PT	X JW	0020	88-100-000-010	PLATING-JW, 0.58 SN95	a
					CX-SNR60 LHSC
PT	X JW	0021	88-100-000-010	PLATING-JW, 0.58 SN95	a
PT	X JW	0022	88-100-000-010	PLATING-JW, 0.58 SN95	a
PT	X JW	0023	88-100-000-010	PLATING-JW, 0.58 SN95	a
PT	! O PT	0002	8C-NF8-653-010	PT,SUB H YKP01247D	a
PT	! O RY	0001	87-A91-339-010	RELAY,AC DC12V G5PA-2	a
PT	! O S	0001	87-A90-165-010	SW,SL 1-2-3 SWS2301	a
PT	O T	0001	87-A60-317-010	TERMINAL, 1P MSC	a
PT	O T	0002	87-A60-317-010	TERMINAL, 1P MSC	a
TUNER(FM FE)	O C	0901	87-012-169-080	C-CAP,U 7P-50 D CH	a
TUNER(FM FE)	X C	0906	88-108-000-080	C-JUMPER,U	a
TUNER(FM FE)	O C	0909	87-A10-915-080	C-CAP,U 1000P-25 J CH	a
TUNER(FM FE)	O C	0911	87-012-167-080	C-CAP,U 5P-50 C CH	a
TUNER(FM FE)	O C	0912	87-012-195-080	C-CAP,U 100P-50 J CH	a
TUNER(FM FE)	O C	0914	87-012-286-080	C-CAP,U 0.01-25 K B	a
TUNER(FM FE)	O C	0915	87-012-286-080	C-CAP,U 0.01-25 K B	a
TUNER(FM FE)	O C	0917	87-012-164-080	C-CAP,U 2P-50 C CH	a
TUNER(FM FE)	O C	0920	87-012-180-080	C-CAP,U 22P-50 J CH	a
TUNER(FM FE)	O C	0921	87-012-186-080	C-CAP,U 39P-50 J CH	a
TUNER(FM FE)	O C	0922	87-012-174-080	C-CAP,U 12P-50 J CH	a
TUNER(FM FE)	O C	0923	87-A10-039-080	C-CAP,U 470P-50 J CH	a

! =  $\Delta$  SAFTY PARTS  
 C = Components marked

All components used on this model at the production line are shown in this service manual.  
 However, please note that not all components will be available as spare parts for after-sales service.  
 Components marked S and O are designated as spare parts for service and will be stocked at the spare parts centers.  
 Components marked X and R are not designated as spare parts for after sales service, and will not be stocked at the spare parts centers.

UNIT-NAME	! C	REF-NO	PARTS-NO	PARTS-NAME	SUFFIX&MODEL
					CX-SNR60 LHSC
TUNER (FM FE)	O C	0924	87-012-162-080	C-CAP,U 1P-50 C CH	a
TUNER (FM FE)	O C	0926	87-012-195-080	C-CAP,U 100P-50 J CH	a
TUNER (FM FE)	O C	0931	87-A12-319-080	C-CAP,U 0.1-25 K B	a
TUNER (FM FE)	O D	0902	87-A40-916-040	C-VARI-CAP,HVC202A	a
TUNER (FM FE)	O D	0903	87-A40-916-040	C-VARI-CAP,HVC202A	a
TUNER (FM FE)	X JR	0902	88-108-000-080	C-JUMPER,U	a
TUNER (FM FE)	X JR	0904	88-108-000-080	C-JUMPER,U	a
TUNER (FM FE)	X JR	0906	88-129-000-080	C-JUMPER, 3216	a
TUNER (FM FE)	X JR	0907	88-108-000-080	C-JUMPER,U	a
TUNER (FM FE)	O L	0901	87-A50-110-010	COIL,FM BPF EX	a
TUNER (FM FE)	O L	0903	86-ZA1-624-010	COIL,FM RF-1	a
TUNER (FM FE)	O L	0904	86-ZA1-622-010	COIL,FM ANT/RF-U	a
TUNER (FM FE)	O L	0906	87-005-847-080	COIL,2.2UH K CECS	a
TUNER (FM FE)	O L	0907	86-ZA1-627-010	COIL,FM OSC-U	a
TUNER (FM FE)	O L	0908	88-ZA1-624-010	COIL,FM IFT 7-6.2 (COILS)	a
TUNER (FM FE)	S Q	0901	89-503-602-080	C-FET,2SK360E	a
TUNER (FM FE)	S Q	0902	87-A30-664-080	C-TR,2SC2620B	a
TUNER (FM FE)	S Q	0904	87-A30-664-080	C-TR,2SC2620B	a
TUNER (FM FE)	X R	0903	88-108-221-080	C-RES,U 220-1/16W J	a
TUNER (FM FE)	X R	0904	88-108-473-080	C-RES,U 47K-1/16W J	a
					CX-SNR60 LHSC
TUNER (FM FE)	X R	0905	88-108-102-080	C-RES,U 1K-1/16W J	a
TUNER (FM FE)	X R	0906	88-108-564-080	C-RES,U 560K-1/16W J	a
TUNER (FM FE)	X R	0908	88-108-000-080	C-JUMPER,U	a
TUNER (FM FE)	X R	0911	88-108-121-080	C-RES,U 120-1/16W J	a
TUNER (FM FE)	X R	0912	88-108-473-080	C-RES,U 47K-1/16W J	a
TUNER (FM FE)	X R	0913	88-108-472-080	C-RES,U 4.7K-1/16W J	a
TUNER (FM FE)	X R	0914	88-108-472-080	C-RES,U 4.7K-1/16W J	a
TUNER (FM FE)	X R	0918	88-108-000-080	C-JUMPER,U	a
TUNER (FM FE)	X SH	0901	8B-ZA3-619-010	SHLD-CASE,BZA-3 EZ	a
TUNER (IF)	O C	0771	87-010-263-080	CAP,E 100-10 M 11L SME	a
TUNER (IF)	O C	0772	87-012-286-080	C-CAP,U 0.01-25 K B	a
TUNER (IF)	X C	0781	88-108-000-080	C-JUMPER,U	a
TUNER (IF)	O C	0782	87-012-286-080	C-CAP,U 0.01-25 K B	a
TUNER (IF)	O C	0783	87-012-286-080	C-CAP,U 0.01-25 K B	a
TUNER (IF)	O C	0784	87-012-286-080	C-CAP,U 0.01-25 K B	a
TUNER (IF)	O C	0785	87-012-286-080	C-CAP,U 0.01-25 K B	a
TUNER (IF)	O C	0786	87-012-286-080	C-CAP,U 0.01-25 K B	a
TUNER (IF)	O C	0788	87-012-167-080	C-CAP,U 5P-50 C CH	a
TUNER (IF)	O C	0789	87-A13-065-080	C-CAP,U 0.027-25 J B	a
TUNER (IF)	O C	0790	87-A13-065-080	C-CAP,U 0.027-25 J B	a
					CX-SNR60 LHSC
TUNER (IF)	O C	0791	87-010-759-080	C-CAP,U 0.1-25 Z F	a
TUNER (IF)	O C	0792	87-012-286-080	C-CAP,U 0.01-25 K B	a
TUNER (IF)	O C	0793	87-010-404-080	CAP,E 4.7-50 M 11L SME	a
TUNER (IF)	O C	0795	87-012-286-080	C-CAP,U 0.01-25 K B	a
TUNER (IF)	O C	0796	87-012-286-080	C-CAP,U 0.01-25 K B	a
TUNER (IF)	O C	0797	87-010-405-080	CAP,E 10-50 M 11L SME	a
TUNER (IF)	O C	0798	87-012-286-080	C-CAP,U 0.01-25 K B	a
TUNER (IF)	O C	0799	87-010-265-080	CAP,E 33-16 M 11L SME	a
TUNER (IF)	O C	0800	87-010-829-080	C-CAP,U 0.047-16 Z F	a
TUNER (IF)	O C	0801	87-010-403-080	CAP,E 3.3-50 M 11L SME	a
TUNER (IF)	O C	0802	87-010-829-080	C-CAP,U 0.047-16 Z F	a
TUNER (IF)	O C	0803	87-010-787-080	C-CAP,U 0.022-25 K B	a
TUNER (IF)	O C	0804	87-010-263-080	CAP,E 100-10 M 11L SME	a
TUNER (IF)	O C	0807	87-010-400-080	CAP,E 0.47-50 M 11L SME	a
TUNER (IF)	O C	0808	87-010-401-080	CAP,E 1-50 M 11L SME	a
TUNER (IF)	O C	0809	87-010-401-080	CAP,E 1-50 M 11L SME	a
TUNER (IF)	O C	0810	87-010-759-080	C-CAP,U 0.1-25 Z F	a
TUNER (IF)	O C	0814	87-012-286-080	C-CAP,U 0.01-25 K B	a
TUNER (IF)	O C	0815	87-010-400-080	CAP,E 0.47-50 M 11L SME	a
TUNER (IF)	O C	0816	87-010-400-080	CAP,E 0.47-50 M 11L SME	a
					CX-SNR60 LHSC
TUNER (IF)	O C	0821	87-010-405-080	CAP,E 10-50 M 11L SME	a
TUNER (IF)	X C	0822	88-108-000-080	C-JUMPER,U	a
TUNER (IF)	O C	0823	87-010-177-080	C-CAP,S 820P-50 J SL C2012	a
TUNER (IF)	O C	0824	87-010-404-080	CAP,E 4.7-50 M 11L SME	a
TUNER (IF)	O C	0825	87-010-596-080	C-CAP,S 0.047-16 K R C2012	a
TUNER (IF)	X D	0801	88-100-000-010	PLATING-JW, 0.58 SN95	a
TUNER (IF)	S D	0803	87-020-465-080	DIODE,1SS133	a
TUNER (IF)	S IC	0801	87-A22-060-010	IC,LA1845N-A	a
TUNER (IF)	X JR	0781	88-129-000-080	C-JUMPER, 3216	a
TUNER (IF)	X JR	0785	88-108-000-080	C-JUMPER,U	a
TUNER (IF)	X JR	0786	88-108-000-080	C-JUMPER,U	a
TUNER (IF)	X JR	0801	88-108-000-080	C-JUMPER,U	a
TUNER (IF)	X JR	0802	88-108-000-080	C-JUMPER,U	a
TUNER (IF)	X JR	0803	88-129-000-080	C-JUMPER, 3216	a
TUNER (IF)	X JR	0804	88-129-000-080	C-JUMPER, 3216	a
TUNER (IF)	X JW	0780	88-100-000-010	PLATING-JW, 0.58 SN95	a
TUNER (IF)	X JW	0781	88-100-000-010	PLATING-JW, 0.58 SN95	a
TUNER (IF)	X JW	0782	88-100-000-010	PLATING-JW, 0.58 SN95	a
TUNER (IF)	X JW	0783	88-100-000-010	PLATING-JW, 0.58 SN95	a
TUNER (IF)	X JW	0784	88-100-000-010	PLATING-JW, 0.58 SN95	a

! =  $\Delta$  SAFTY PARTS  
 C = Components marked

All components used on this model at the production line are shown in this service manual.  
 However, please note that not all components will be available as spare parts for after-sales service.  
 Components marked S and O are designated as spare parts for service and will be stocked at the spare parts centers.  
 Components marked X and R are not designated as spare parts for after sales service, and will not be stocked at the spare parts centers.

UNIT-NAME	! C	REF-NO	PARTS-NO	PARTS-NAME	SUFFIX&MODEL
					CX-SNR60 LHSC
TUNER (IF)	X	JW 0786	88-100-000-010	PLATING-JW, 0.58 SN95	a
TUNER (IF)	X	JW 0787	88-100-000-010	PLATING-JW, 0.58 SN95	a
TUNER (IF)	X	JW 0788	88-100-000-010	PLATING-JW, 0.58 SN95	a
TUNER (IF)	X	JW 0789	88-100-000-010	PLATING-JW, 0.58 SN95	a
TUNER (IF)	X	JW 0790	88-100-000-010	PLATING-JW, 0.58 SN95	a
TUNER (IF)	X	JW 0791	88-100-000-010	PLATING-JW, 0.58 SN95	a
TUNER (IF)	X	JW 0793	88-100-000-010	PLATING-JW, 0.58 SN95	a
TUNER (IF)	X	JW 0794	88-100-000-010	PLATING-JW, 0.58 SN95	a
TUNER (IF)	X	JW 0795	88-100-000-010	PLATING-JW, 0.58 SN95	a
TUNER (IF)	X	JW 0796	88-100-000-010	PLATING-JW, 0.58 SN95	a
TUNER (IF)	X	JW 0797	88-100-000-010	PLATING-JW, 0.58 SN95	a
TUNER (IF)	X	JW 0798	88-100-000-010	PLATING-JW, 0.58 SN95	a
TUNER (IF)	X	JW 0799	88-100-000-010	PLATING-JW, 0.58 SN95	a
TUNER (IF)	X	JW 0801	88-100-000-010	PLATING-JW, 0.58 SN95	a
TUNER (IF)	X	JW 0802	88-100-000-010	PLATING-JW, 0.58 SN95	a
TUNER (IF)	X	JW 0811	88-100-000-010	PLATING-JW, 0.58 SN95	a
TUNER (IF)	X	JW 0812	88-100-000-010	PLATING-JW, 0.58 SN95	a
TUNER (IF)	X	JW 0835	88-100-000-010	PLATING-JW, 0.58 SN95	a
TUNER (IF)	X	JW 0864	88-100-000-010	PLATING-JW, 0.58 SN95	a
TUNER (IF)	O L	0801	87-A50-608-010	COIL, FM DET-N (TOK)	a
					CX-SNR60 LHSC
TUNER (IF)	O L	0802	87-A91-551-010	FLTR, PCFJZH-450 L (TOK)	a
TUNER (IF)	O L	0811	87-005-847-080	COIL, 2.2UH K CECS	a
TUNER (IF)	X R	0789	88-108-223-080	C-RES, U 22K-1/16W J	a
TUNER (IF)	O R	0790	87-012-286-080	C-CAP, U 0.01-25 K B	a
TUNER (IF)	X R	0791	88-108-102-080	C-RES, U 1K-1/16W J	a
TUNER (IF)	X R	0793	88-108-000-080	C-JUMPER, U	a
TUNER (IF)	X R	0795	88-108-000-080	C-JUMPER, U	a
TUNER (IF)	X R	0801	88-108-103-080	C-RES, U 10K-1/16W J	a
TUNER (IF)	X R	0802	88-108-223-080	C-RES, U 22K-1/16W J	a
TUNER (IF)	X R	0803	88-128-183-080	C-RES, 18K-1/8W J	a
TUNER (IF)	X R	0804	88-108-000-080	C-JUMPER, U	a
TUNER (IF)	X R	0805	88-108-332-080	C-RES, U 3.3K-1/16W J	a
TUNER (IF)	X R	0806	88-108-682-080	C-RES, U 6.8K-1/16W J	a
TUNER (IF)	X R	0809	88-108-102-080	C-RES, U 1K-1/16W J	a
TUNER (IF)	X R	0810	88-108-102-080	C-RES, U 1K-1/16W J	a
TUNER (IF)	X R	0811	88-108-000-080	C-JUMPER, U	a
TUNER (IF)	X R	0812	88-108-000-080	C-JUMPER, U	a
TUNER (IF)	X R	0813	88-108-224-080	C-RES, U 220K-1/16W J	a
TUNER (IF)	X R	0814	88-108-105-080	C-RES, U 1M-1/16W J	a
TUNER (IF)	X R	0815	88-121-682-080	RES, 6.8K-1/8W J	a
					CX-SNR60 LHSC
TUNER (IF)	X R	0818	88-108-103-080	C-RES, U 10K-1/16W J	a
TUNER (IF)	X R	0821	88-108-000-080	C-JUMPER, U	a
TUNER (IF)	X R	0823	88-108-333-080	C-RES, U 33K-1/16W J	a
TUNER (IF)	X R	0826	88-108-223-080	C-RES, U 22K-1/16W J	a
TUNER (PLL)	O C	0971	87-010-381-080	CAP, E 330-16 M SME	a
TUNER (PLL)	O C	0972	87-010-404-080	CAP, E 4.7-50 M 11L SME	a
TUNER (PLL)	O C	0973	87-012-286-080	C-CAP, U 0.01-25 K B	a
TUNER (PLL)	O C	0974	87-012-286-080	C-CAP, U 0.01-25 K B	a
TUNER (PLL)	O C	0979	87-012-195-080	C-CAP, U 100P-50 J CH	a
TUNER (PLL)	O C	0981	87-010-260-080	CAP, E 47-25 M 11L SME	a
TUNER (PLL)	O C	0982	87-010-759-080	C-CAP, U 0.1-25 Z F	a
TUNER (PLL)	O C	0983	87-012-286-080	C-CAP, U 0.01-25 K B	a
TUNER (PLL)	O C	0984	87-012-286-080	C-CAP, U 0.01-25 K B	a
TUNER (PLL)	O C	0987	87-012-286-080	C-CAP, U 0.01-25 K B	a
TUNER (PLL)	O C	0988	87-012-286-080	C-CAP, U 0.01-25 K B	a
TUNER (PLL)	O C	0991	87-012-176-080	C-CAP, U 15P-50 J CH	a
TUNER (PLL)	O C	0992	87-012-176-080	C-CAP, U 15P-50 J CH	a
TUNER (PLL)	O C	0993	87-012-274-080	C-CAP, U 1000P-50 K B	a
TUNER (PLL)	O C	0995	87-012-274-080	C-CAP, U 1000P-50 K B	a
TUNER (PLL)	O C	0997	87-010-759-080	C-CAP, U 0.1-25 Z F	a
					CX-SNR60 LHSC
TUNER (PLL)	O C	0998	87-010-260-080	CAP, E 47-25 M 11L SME	a
TUNER (PLL)	O C	0999	87-A11-155-080	CAP, TC U 0.01-16 Z F	a
TUNER (PLL)	S D	0991	87-017-149-080	ZENER, HZS6A2L	a
TUNER (PLL)	S D	0994	87-020-465-080	DIODE, 1SS133	a
TUNER (PLL)	S IC	0991	87-A21-928-010	IC, LC72131D-N	a
TUNER (PLL)	X JR	0971	88-129-000-080	C-JUMPER, 3216	a
TUNER (PLL)	X JR	0972	88-108-000-080	C-JUMPER, U	a
TUNER (PLL)	X JR	0973	88-129-000-080	C-JUMPER, 3216	a
TUNER (PLL)	X JR	0974	88-108-000-080	C-JUMPER, U	a
TUNER (PLL)	X JR	0976	88-108-000-080	C-JUMPER, U	a
TUNER (PLL)	X JR	0977	88-108-000-080	C-JUMPER, U	a
TUNER (PLL)	X JR	0991	88-108-000-080	C-JUMPER, U	a
TUNER (PLL)	X JW	0973	88-100-000-010	PLATING-JW, 0.58 SN95	a
TUNER (PLL)	X JW	0974	88-100-000-010	PLATING-JW, 0.58 SN95	a
TUNER (PLL)	X JW	0975	88-100-000-010	PLATING-JW, 0.58 SN95	a
TUNER (PLL)	X JW	0977	88-100-000-010	PLATING-JW, 0.58 SN95	a
TUNER (PLL)	X JW	0978	88-100-000-010	PLATING-JW, 0.58 SN95	a
TUNER (PLL)	X JW	0979	88-100-000-010	PLATING-JW, 0.58 SN95	a
TUNER (PLL)	X JW	0980	88-100-000-010	PLATING-JW, 0.58 SN95	a
TUNER (PLL)	X JW	0981	88-100-000-010	PLATING-JW, 0.58 SN95	a

! = SAFETY PARTS  
 C = Components marked

All components used on this model at the production line are shown in this service manual.  
 However, please note that not all components will be available as spare parts for after-sales service.  
 Components marked S and O are designated as spare parts for service and will be stocked at the spare parts centers.  
 Components marked X and R are not designated as spare parts for after sales service, and will not be stocked at the spare parts centers.

UNIT-NAME	! C	REF-NO	PARTS-NO	PARTS-NAME	SUFFIX&MODEL
					CX-SNR60 LHSC
TUNER (PLL)	X	JW 0982	88-100-000-010	PLATING-JW, 0.58 SN95	a
TUNER (PLL)	X	JW 0987	88-100-000-010	PLATING-JW, 0.58 SN95	a
TUNER (PLL)	X	JW 0989	88-100-000-010	PLATING-JW, 0.58 SN95	a
TUNER (PLL)	S	Q 0981	87-A30-494-080	TR,2SA1980G	a
TUNER (PLL)	S	Q 0982	87-A30-076-080	C-TR,2SC3052F	a
TUNER (PLL)	S	Q 0983	87-A30-076-080	C-TR,2SC3052F	a
TUNER (PLL)	X	R 0968	88-108-822-080	C-RES,U 8.2K-1/16W J	a
TUNER (PLL)	X	R 0975	88-108-562-080	C-RES,U 5.6K-1/16W J	a
TUNER (PLL)	X	R 0976	88-108-102-080	C-RES,U 1K-1/16W J	a
TUNER (PLL)	X	R 0977	88-108-102-080	C-RES,U 1K-1/16W J	a
TUNER (PLL)	X	R 0978	88-108-681-080	C-RES,U 680-1/16W J	a
TUNER (PLL)	X	R 0979	88-108-123-080	C-RES,U 12K-1/16W J	a
TUNER (PLL)	X	R 0980	88-108-684-080	C-RES,U 680K-1/16W J	a
TUNER (PLL)	X	R 0981	88-121-471-080	RES,470-1/8W J	a
TUNER (PLL)	X	R 0982	88-108-682-080	C-RES,U 6.8K-1/16W J	a
TUNER (PLL)	X	R 0983	88-108-392-080	C-RES,U 3.9K-1/16W J	a
TUNER (PLL)	X	R 0984	88-108-562-080	C-RES,U 5.6K-1/16W J	a
TUNER (PLL)	X	R 0985	88-121-471-080	RES,470-1/8W J	a
TUNER (PLL)	X	R 0986	88-121-221-080	RES,220-1/8W J	a
TUNER (PLL)	X	R 0987	88-121-472-080	RES,4.7K-1/8W J	a
					CX-SNR60 LHSC
TUNER (PLL)	X	R 0988	88-108-103-080	C-RES,U 10K-1/16W J	a
TUNER (PLL)	X	R 0989	88-121-102-080	RES,1K-1/8W J	a
TUNER (PLL)	X	R 0990	88-108-563-080	C-RES,U 56K-1/16W J	a
TUNER (PLL)	O	R 0991	87-012-195-080	C-CAP,U 100P-50 J CH	a
TUNER (PLL)	X	R 0992	88-108-103-080	C-RES,U 10K-1/16W J	a
TUNER (PLL)	O	R 0993	87-012-195-080	C-CAP,U 100P-50 J CH	a
TUNER (PLL)	X	R 0994	88-108-103-080	C-RES,U 10K-1/16W J	a
TUNER (PLL)	O	R 0995	87-012-195-080	C-CAP,U 100P-50 J CH	a
TUNER (PLL)	X	R 0996	88-108-103-080	C-RES,U 10K-1/16W J	a
TUNER (PLL)	X	R 0997	88-108-154-080	C-RES,U 150K-1/16W J	a
TUNER (PLL)	X	R 0998	88-108-102-080	C-RES,U 1K-1/16W J	a
TUNER (PLL)	X	R 0999	88-108-103-080	C-RES,U 10K-1/16W J	a
TUNER (PLL)	O	X 0992	87-A70-306-010	VIB,XTAL 4.500MHZ CSA-309ST	a
TUNER (RF)	O	C 0842	87-012-286-080	C-CAP,U 0.01-25 K B	a
TUNER (RF)	X	C 0843	88-108-000-080	C-JUMPER,U	a
TUNER (RF)	O	C 0844	87-012-286-080	C-CAP,U 0.01-25 K B	a
TUNER (RF)	X	C 0845	88-108-000-080	C-JUMPER,U	a
TUNER (RF)	X	C 0846	88-108-000-080	C-JUMPER,U	a
TUNER (RF)	X	C 0847	88-108-000-080	C-JUMPER,U	a
TUNER (RF)	X	C 0848	88-108-000-080	C-JUMPER,U	a
					CX-SNR60 LHSC
TUNER (RF)	X	C 0849	88-108-000-080	C-JUMPER,U	a
TUNER (RF)	O	C 0850	87-010-260-080	CAP,E 47-25 M 11L SME	a
TUNER (RF)	O	C 0851	87-012-286-080	C-CAP,U 0.01-25 K B	a
TUNER (RF)	O	C 0852	87-012-286-080	C-CAP,U 0.01-25 K B	a
TUNER (RF)	O	C 0853	87-012-286-080	C-CAP,U 0.01-25 K B	a
TUNER (RF)	O	C 0860	87-012-286-080	C-CAP,U 0.01-25 K B	a
TUNER (RF)	X	C 0940	88-108-000-080	C-JUMPER,U	a
TUNER (RF)	O	C 0959	87-010-759-080	C-CAP,U 0.1-25 Z F	a
TUNER (RF)	O	C 0960	87-010-759-080	C-CAP,U 0.1-25 Z F	a
TUNER (RF)	O	C 0961	87-012-167-080	C-CAP,U 5P-50 C CH	a
TUNER (RF)	O	C 0962	87-010-401-080	CAP,E 1-50 M 11L SME	a
TUNER (RF)	O	C 0963	87-A12-319-080	C-CAP,U 0.1-25 K B	a
TUNER (RF)	O	CF 0831	87-008-261-010	FLTR,CF SFE10.7MA5	a
TUNER (RF)	O	CF 0832	87-008-261-010	FLTR,CF SFE10.7MA5	a
TUNER (RF)	X	D 0944	88-100-000-010	PLATING-JW, 0.58 SN95	a
TUNER (RF)	O	D 0951	87-A40-799-040	C-VARI-CAP,KV1610S	a
TUNER (RF)	O	J 0831	8C-NF8-683-010	TERMINAL,ANT 4P PTB-405-02	a
TUNER (RF)	X	JR 0834	88-108-000-080	C-JUMPER,U	a
TUNER (RF)	X	JR 0835	88-108-561-080	C-RES,U 560-1/16W J	a
TUNER (RF)	X	JR 0943	88-108-000-080	C-JUMPER,U	a
					CX-SNR60 LHSC
TUNER (RF)	X	JR 0946	88-108-000-080	C-JUMPER,U	a
TUNER (RF)	X	JR 0950	88-108-000-080	C-JUMPER,U	a
TUNER (RF)	X	JR 0951	88-108-000-080	C-JUMPER,U	a
TUNER (RF)	X	JR 0952	88-129-000-080	C-JUMPER, 3216	a
TUNER (RF)	X	JR 0954	88-108-000-080	C-JUMPER,U	a
TUNER (RF)	X	JR 0955	88-108-000-080	C-JUMPER,U	a
TUNER (RF)	X	JR 0964	88-129-000-080	C-JUMPER, 3216	a
TUNER (RF)	X	JW 0831	88-100-000-010	PLATING-JW, 0.58 SN95	a
TUNER (RF)	X	JW 0834	88-100-000-010	PLATING-JW, 0.58 SN95	a
TUNER (RF)	X	JW 0851	88-100-000-010	PLATING-JW, 0.58 SN95	a
TUNER (RF)	X	JW 0903	88-100-000-010	PLATING-JW, 0.58 SN95	a
TUNER (RF)	X	JW 0909	88-100-000-010	PLATING-JW, 0.58 SN95	a
TUNER (RF)	X	JW 0942	88-100-000-010	PLATING-JW, 0.58 SN95	a
TUNER (RF)	X	JW 0952	88-100-000-010	PLATING-JW, 0.58 SN95	a
TUNER (RF)	X	JW 0953	88-100-000-010	PLATING-JW, 0.58 SN95	a
TUNER (RF)	X	JW 0954	88-100-000-010	PLATING-JW, 0.58 SN95	a
TUNER (RF)	X	JW 0956	88-100-000-010	PLATING-JW, 0.58 SN95	a
TUNER (RF)	X	JW 0963	88-100-000-010	PLATING-JW, 0.58 SN95	a
TUNER (RF)	X	JW 0965	88-100-000-010	PLATING-JW, 0.58 SN95	a
TUNER (RF)	O	L 0832	87-005-847-080	COIL,2.2UH K CECS	a

! =  $\Delta$  SAFETY PARTS  
 C = Components marked

All components used on this model at the production line are shown in this service manual.  
 However, please note that not all components will be available as spare parts for after-sales service.  
 Components marked S and O are designated as spare parts for service and will be stocked at the spare parts centers.  
 Components marked X and R are not designated as spare parts for after sales service, and will not be stocked at the spare parts centers.

UNIT-NAME	! C	REF-NO	PARTS-NO	PARTS-NAME	SUFFIX&MODEL
					CX-SNR60
					LHSC
TUNER (RF)	O L	0952	87-A50-764-010	COIL,MW ANT 2B(COI)	a
TUNER (RF)	O L	0953	87-A50-765-010	COIL,MW OSC 2B(COI)	a
TUNER (RF)	S Q	0835	87-A30-521-080	C-TR,2SC5345SF/S(O)	a
TUNER (RF)	S Q	0836	87-A30-677-040	C-TR,SRA2207S	a
TUNER (RF)	X R	0832	88-108-391-080	C-RES,U 390-1/16W J	a
TUNER (RF)	X R	0840	88-108-221-080	C-RES,U 220-1/16W J	a
TUNER (RF)	X R	0850	88-108-103-080	C-RES,U 10K-1/16W J	a
TUNER (RF)	X R	0851	88-118-000-080	C-JUMPER,S	a
TUNER (RF)	X R	0852	88-108-103-080	C-RES,U 10K-1/16W J	a
TUNER (RF)	X R	0853	88-108-102-080	C-RES,U 1K-1/16W J	a
TUNER (RF)	X R	0854	88-108-331-080	C-RES,U 330-1/16W J	a
TUNER (RF)	X R	0855	88-108-183-080	C-RES,U 18K-1/16W J	a
TUNER (RF)	X R	0856	88-108-103-080	C-RES,U 10K-1/16W J	a
TUNER (RF)	X R	0857	88-108-181-080	C-RES,U 180-1/16W J	a
TUNER (RF)	X R	0858	88-108-101-080	C-RES,U 100-1/16W J	a
TUNER (RF)	X R	0860	88-108-101-080	C-RES,U 100-1/16W J	a
TUNER (RF)	X R	0945	88-108-104-080	C-RES,U 100K-1/16W J	a
TUNER (RF)	X R	0962	88-121-102-080	RES,1K-1/8W J	a
TUNER (RF)	X R	0963	88-108-330-080	C-RES,U 33-1/16W J	a

# MECHANICAL PARTS LIST

! = SAFETY PARTS

C = Components marked

All components used on this model at the production line are shown in this service manual.

However, please note that not all components will be available as spare parts for after-sales service.

Components marked S and O are designated as spare parts for service and will be stocked at the spare parts centers.

Components marked X and R are not designated as spare parts for after sales service, and will not be stocked at the spare parts centers.

UNIT-NAME	! C	REF-NO	PARTS-NO	PARTS-NAME	SUFFIX&MODEL
					CX-SNR60 LHSC
MECHANICAL	X	1	8C-NF8-231-010	CHAS,MAIN CC 76-60	a
TAPE	X	2	M8-6ZM-39E-170	6ZM-3 YPR4NC	a
OTHERS	X	3	87-064-080-010	BINDER,WIRE	a
OTHERS	X	4	8B-NF9-204-010	CUSH, 11-8.5-2	a
OTHERS	O	5	8Z-NF6-210-010	DMPR,150 N	a
OTHERS	O	6	87-NF4-216-010	HLDR,LOCK 1	a
OTHERS	O	7	87-NF4-217-110	HLDR,LOCK 2	a
OTHERS	O	8	8A-NF8-206-010	HLDR,PWB M	a
OTHERS	O	9	8A-NF7-225-010	HLDR,PWB PT 85S	a
OTHERS	X	10	8C-NF7-208-010	HLDR,TR	a
OTHERS	X	11	8C-NF7-206-010	HT-SINK,ASSYC	a
OTHERS	X	12	8C-NF7-203-010	HT-SINK,FIN C	a
OTHERS	X	13	8C-NF8-213-010	HT-SINK,FIN C	a
OTHERS	X	14	8C-NF7-207-010	HT-SINK,MAINC	a
OTHERS	X	15	8C-NF8-207-110	HT-SINK,SUB	a
OTHERS	X	16	8A-NF8-217-010	PLATE,EARTH MECHA C	a
OTHERS	X	17	8C-NF8-206-010	PLATE,EARTH MIC	a
OTHERS	O	18	82-NF5-229-010	PLATE,LOCK(*)	a
OTHERS	X	19	8C-NF7-210-010	SH,CD TH	a
OTHERS	O	20	86-NF9-224-010	SPR-C,LOCK	a
					CX-SNR60 LHSC
OTHERS	O	21	8A-NF8-281-010	SPR-T,EJECT 1	a
OTHERS	O	22	8A-NF8-282-010	SPR-T,EJECT 2	a
APPEARANCE	O	23	87-B00-002-010	BADGE,AIWA 30 ABS SIL	a
APPEARANCE	O	24	8C-NF8-048-010	BOX,CASS 1 R	a
APPEARANCE	O	25	8C-NF8-003-010	BOX,CASS 2	a
APPEARANCE	O	26	8C-NF7-008-110	CABI,FR LH	a
APPEARANCE	O	27	8C-NF7-022-010	CABI,REAR LHSC	a
APPEARANCE	O	28	8C-NF7-032-010	PANEL,FR LH	a
APPEARANCE	O	29	8C-NF8-021-010	PANEL,LEFT	a
APPEARANCE	O	30	8C-NF8-022-010	PANEL,RIGHT	a
APPEARANCE	O	31	8C-NF8-023-110	PANEL,TOP	a
APPEARANCE	O	32	8C-NF8-008-010	PANEL,TRAY	a
APPEARANCE	O	33	8C-NF8-005-010	WINDOW,CASS 1	a
APPEARANCE	O	34	8C-NF8-006-010	WINDOW,CASS 2	a
APPEARANCE	O	35	8C-NF7-004-010	WINDOW,DISP LH	a
CD	X	36	M8-BZG-29G-070	BZG-2 ZD5GNC	a
KNOB	O	37	8C-NF7-006-010	KEY,ASSY CD	a
KNOB	X	38	8C-NF7-001-010	KEY,CD LED	a
KNOB	O	39	8C-NF8-011-010	KEY,ENTER	a
KNOB	O	40	8C-NF8-046-010	KEY,OPE R	a
					CX-SNR60 LHSC
KNOB	O	41	8C-NF8-009-010	KEY,POWER	a
KNOB	O	42	8C-NF8-012-010	KEY,REC	a
KNOB	O	43	8C-NF8-027-010	KNOB,RTRY JOG	a
KNOB	O	44	8C-NF8-015-010	KNOB,RTRY MIC	a
KNOB	O	45	8C-NF8-020-010	KNOB,RTRY VOL	a
KNOB	O	46	8C-NF5-031-010	PLATE,MIC	a
KNOB	X	47	8C-NF7-002-010	REFLECTOR,CD	a
KNOB	O	48	8C-NF8-014-010	REFLECTOR,ECO	a
SCREW	O	49	87-B10-315-010	BVT3B+3-8 R W/O	a
SCREW	O	50	87-067-703-010	BVT2+3-10 W/O SLOT	a
SCREW	O	51	87-067-689-010	BVTT+3-8	a
SCREW	O	52	87-721-096-410	QT2+3-10 W/O SLOT	a
SCREW	O	53	88-AR1-217-010	S-SCREW,BFT2+3-8	a
SCREW	O	54	87-NF4-224-010	S-SCREW,IT3B+3-8 CU	a
SCREW	O	55	87-078-200-010	S-SCREW,ITC+4-8 R	a
SCREW	O	56	87-B10-091-010	UTT2+3-10 W/O SLOT BLK	a
FRCB MECHA	O	57	8B-NF9-207-010	GUIDE,FL 90.2-20	a
ELECTRICAL	O	58	87-085-185-010	BUSHING,AC CORD(E) CM-22B	a
ELECTRICAL	O	59	87-069-033-010	CABLE,TIE	a
ELECTRICAL	O	60	88-911-101-110	FF-CABLE,11P 1.25 100MM	a
					CX-SNR60 LHSC
ELECTRICAL	O	61	88-906-251-110	FF-CABLE,6P 1.25	a
ELECTRICAL	O	62	88-908-301-110	FF-CABLE,8P 1.25 300MM	a
ELECTRICAL	O	63	87-A90-193-010	HLDR,CV100 (B)	a
ELECTRICAL	O	64	8C-NF7-606-010	PT,CNF-7 LH	a
ELECTRICAL	O	65	87-A80-188-010	AC CORD ASSY,BRAZ BLK SUN FAI	a
PLATE	X	66	87-B40-281-010	LBL,BAR-CODE A 35X8	a
PLATE	X	67	87-057-995-010	LBL,CAUTION EFSD	a
PLATE	X	68	87-057-961-010	LBL,CAUTION TRIANGLE	a
PLATE	X	69	8B-NF1-029-010	SH,FL	a

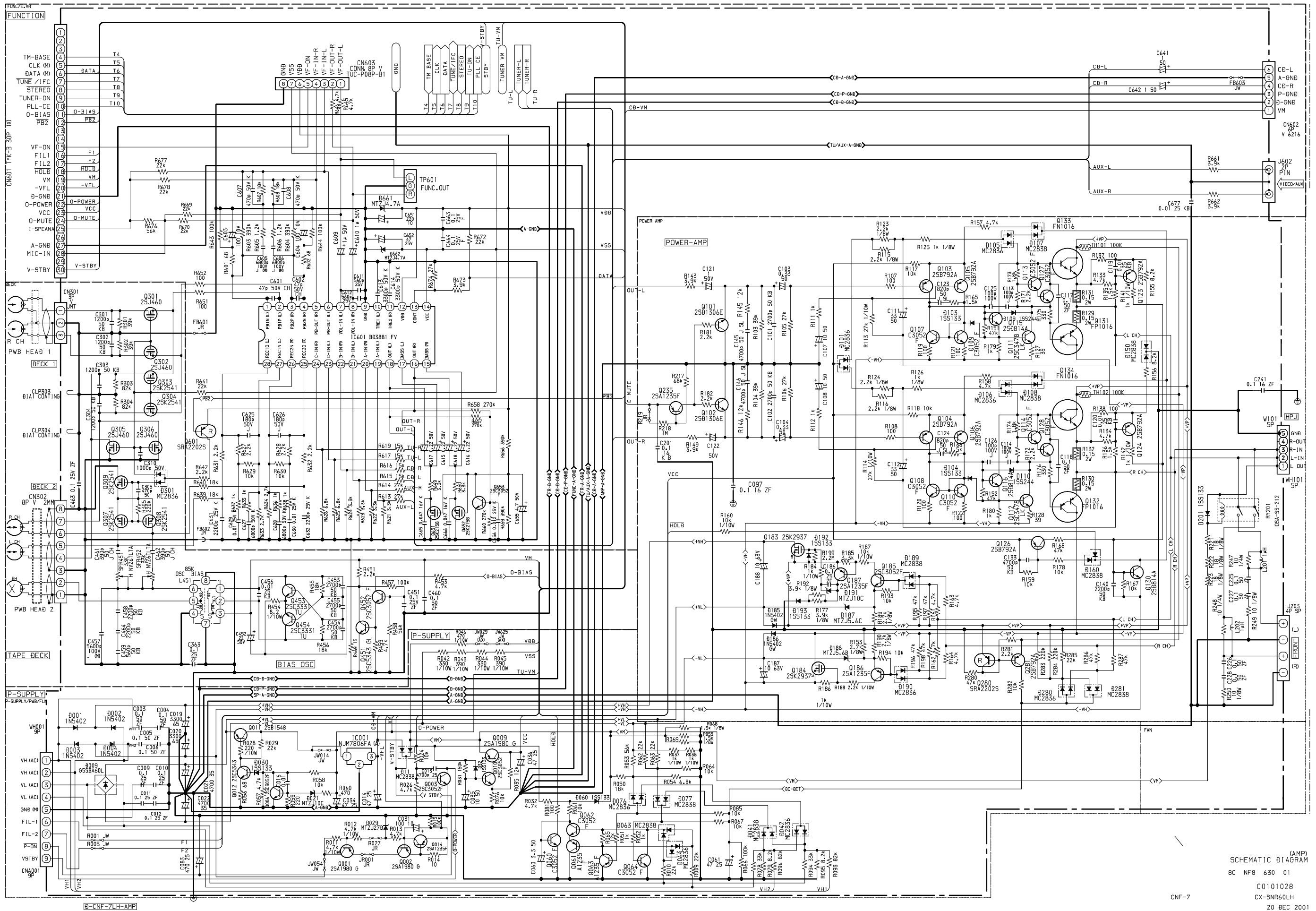
**ACCESSORIES / PACKAGE LIST**

! =  $\Delta$  SAFTY PARTS  
 C = Components marked

All components used on this model at the production line are shown in this service manual.  
 However, please note that not all components will be available as spare parts for after-sales service.  
 Components marked S and O are designated as spare parts for service and will be stocked at the spare parts centers.  
 Components marked X and R are not designated as spare parts for after sales service, and will not be stocked at the spare parts centers.

UNIT-NAME	! C	REF-NO	PARTS-NO	PARTS-NAME	SUFFIX&MODEL
					CX-SNR60
					LHSC
PACKING	X	1	87-B40-098-010	BAG,PV 0.025-650-750 PL	a
PACKING	X	2	8C-NF8-853-010	CUSHION,FRONT LHSC	a
PACKING	X	3	8C-NF8-854-010	CUSHION,REAR LHSC	a
PACKING	X	4	92-370-716-010	SH,FOAMED-MAT 0.31-700-500	a
PRINTED DU	X	5	87-B40-085-010	BAG,PV 0.04-200-350 PL	a
PRINTED DU	O	6	8C-NF7-902-010	IB,LH (ESP) FM NSX-R60	a
PRINTED DU	X	7	87-B50-079-010	LIST,FACILITY (B)-0007	a
PRINTED DU	X	8	87-B50-056-010	SH,CAUTION AC VOLTAGE	a
LBL,POP	X	9	8C-NF7-972-010	LBL,POP LHL	a
LBL,POP	X	10	8C-NF7-973-010	LBL,POP LHR	a
ACCESSORY	O	11	87-A92-150-010	ANT,LOOP AM NO-CONT	a
ACCESSORY	O	12	87-A92-345-010	ANT,WIRE FM (SEMI-ST)	a
ACCESSORY	O	13	87-A92-262-010	PLUG,CONVERSION WT01011	a
ACCESSORY	O	14	8C-NF8-703-010	RC UNIT,RC-CAS10 (SMK)	a

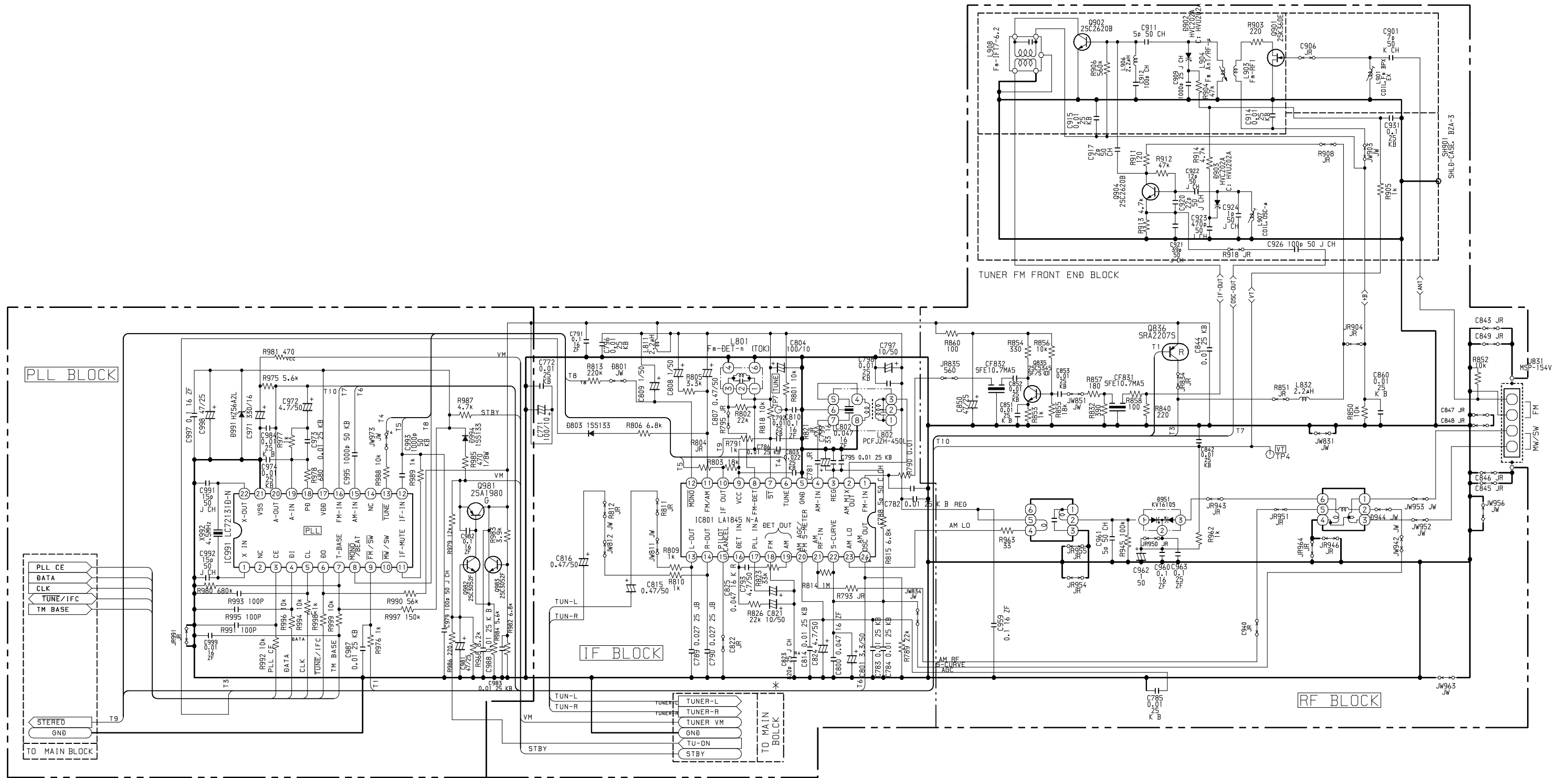
SCHEMATIC DIAGRAM - 1 (MAIN : 1/4 <AMP SECTION>)



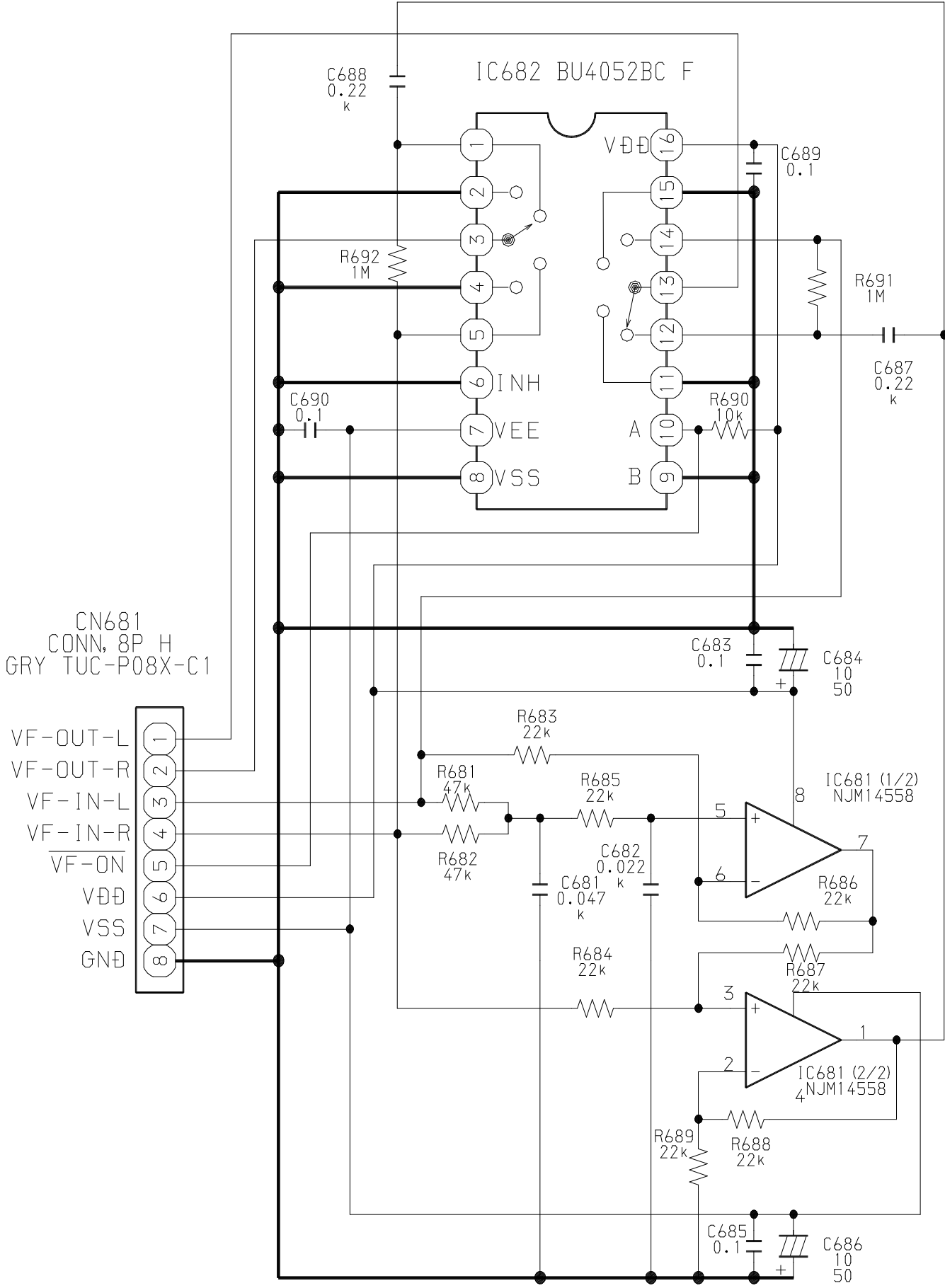
SCHEMATIC DIAGRAM (AMP)  
 BC NF8 630 01  
 C0101028  
 CX-SNR60LH  
 20 DEC 2001



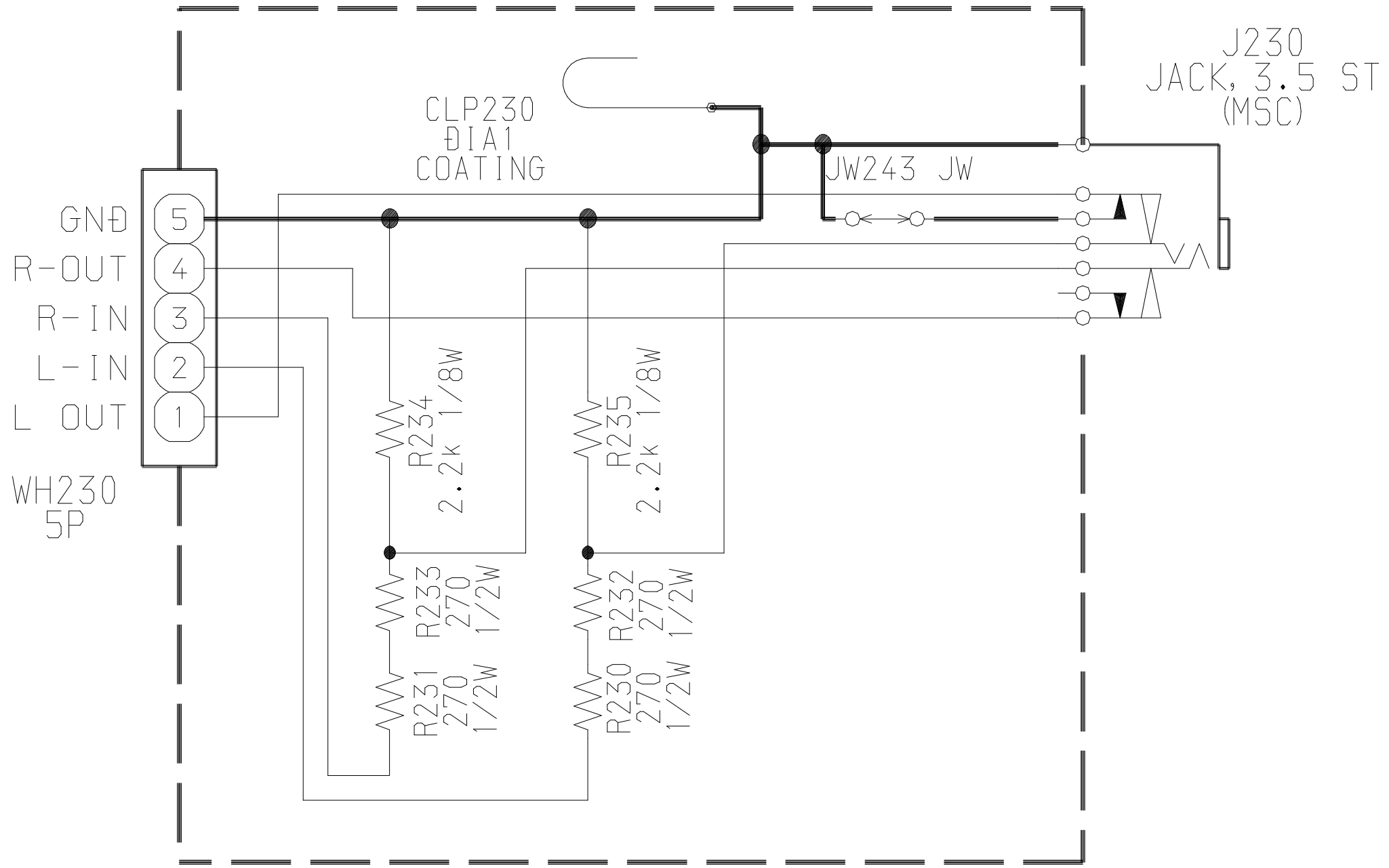
SCHEMATIC DIAGRAM-2 (MAIN: 2/4 <TUNER SECTION>)



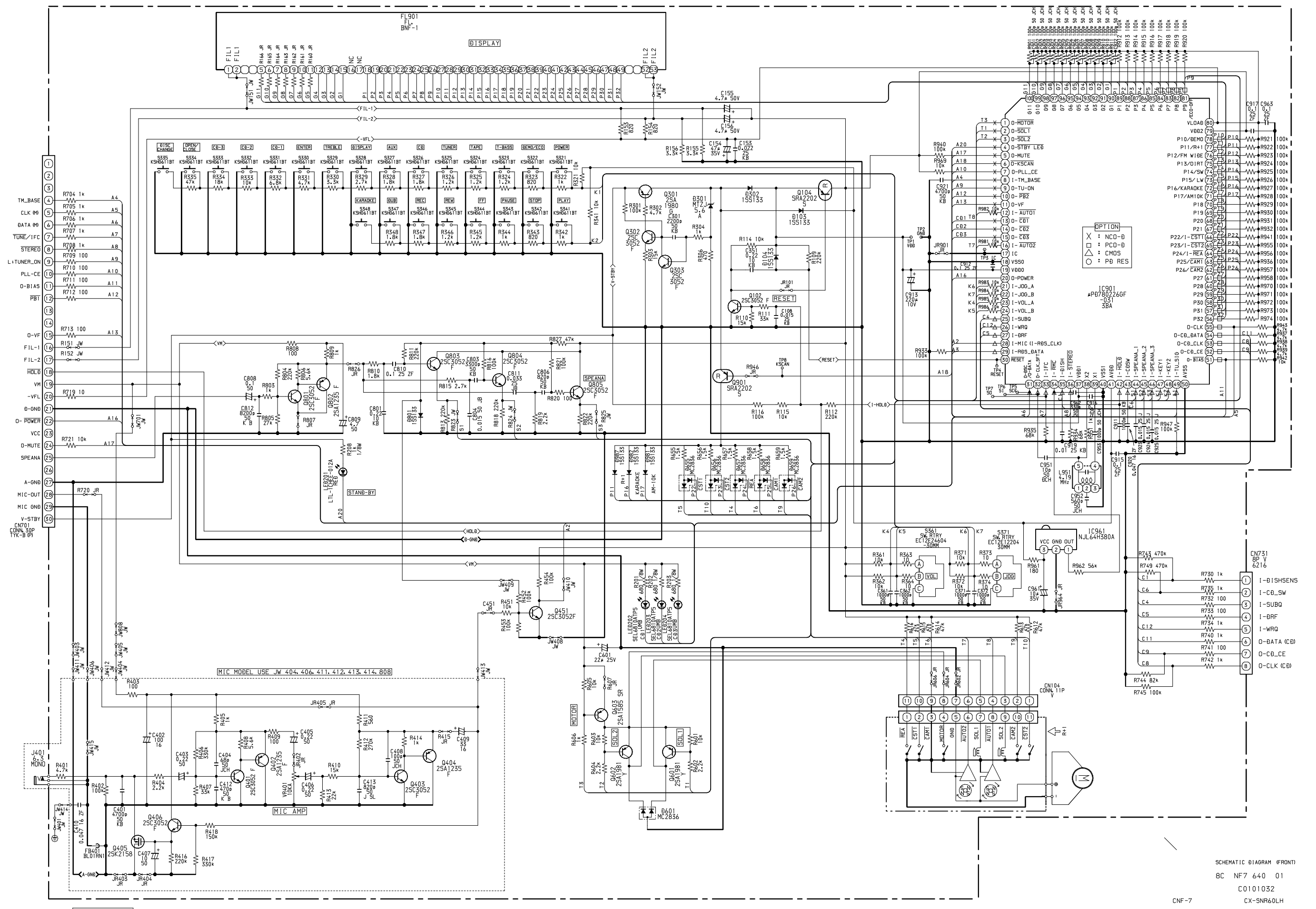
SCHEMATIC DIAGRAM-3 (MAIN:3/4 <VOCAL FADER SECTION>)



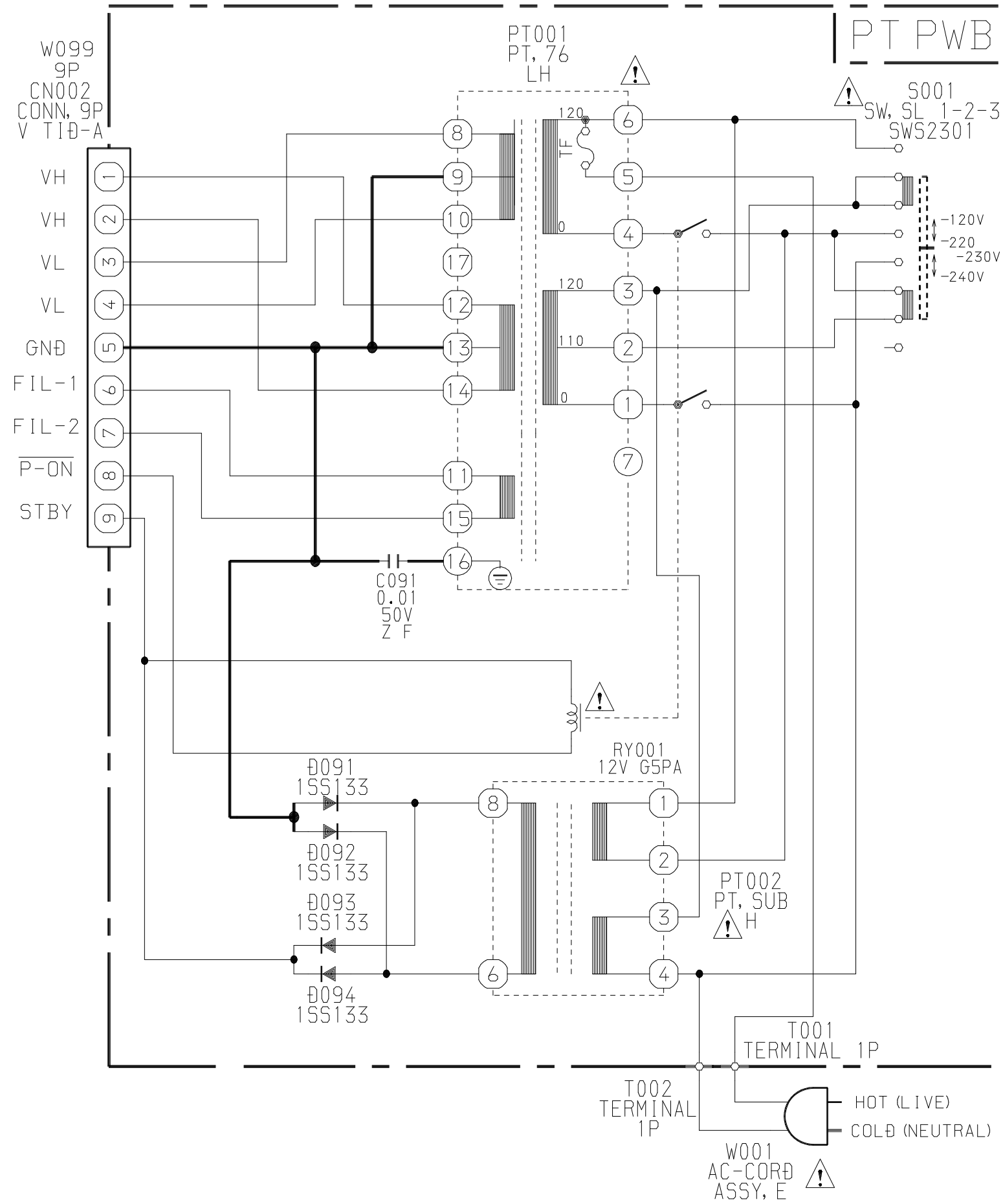
SCHEMATIC DIAGRAM-4 (MAIN: 4/4 <HEADPHONE SECTION>)



SCHEMATIC DIAGRAM-5 (FRONT)



SCHEMATIC DIAGRAM (FRONT)  
 8C NF7 640 01  
 C0101032  
 CNF-7 CX-SNR60LH  
 20 DEC 2001



**アイワ株式会社** 〒110-8710 東京都台東区池之端1-2-11 ☎03(3827)3111 (代表)  
**AIWA CO.,LTD.** 2-11, IKENOHATA 1-CHOME, TAITO-KU, TOKYO 110, JAPAN TEL:03 (3827) 3111