

SERVICE MANUAL

CD STEREO SYSTEM

BASIC TAPE MECHANISM : 6ZM-3 PR4NM
BASIC CD MECHANISM : BZG-5 ZD5GNDM

SYSTEM	CD CASSEIVER	SPEAKER	REMOTE CONTROLLER
NSX-R71	CX-NR71	SX-NR70	RC-CAS01

If requiring information about the CD mechanism, see Service Manual of BZG-5 ZD5GNDM, (S/M Code No. 09-023-353-3NC).

aiwa

S/M Code No. 09-026-452-3N3



TABLE OF CONTENTS -1/1

SPECIFICATIONS	3
PROTECTION OF EYES FROM LASER BEAM DURING SERVICING	4
NOTE ON BEFORE STARTING REPAIR	5, 6
ACCESSORIES PARTS LIST	7
ELECTRICAL PARTS LIST	8 ~ 23
TRANSISTOR ILLUSTRATION	24
SCHEMATIC DIAGRAM -1/5 (MAIN-1/2, AMP SECTION)	25
SCHEMATIC DIAGRAM -2/5 (MAIN-2/2, TUNER SECTION)	26
SCHEMATIC DIAGRAM -3/5 (HP SECTION)	27
WIRING -1/4 (MAIN C.B, HP C.B)	28
SCHEMATIC DIAGRAM -4/5 (FRONT/DECK/CD-LED SECTION)	29
WIRING -2/4 (FRONT C.B/CD-LED C.B)	30
WIRING -3/4 (DECK C.B/HEAD-1 C.B)	31
SCHEMATIC DIAGRAM -5/5 (PT SECTION)	32
WIRING -4/4 (PT C.B)	33
ELECTRICAL ADJUSTMENT	34 ~ 40
CD TEST MODE	41
LCD DISPLAY	42 ~ 43
IC BLOCK DIAGRAM	44
IC DESCRIPTION	45 ~ 46
MECHANICAL EXPLODED VIEW	47
MECHANICAL PARTS LIST	48
COLOR NAME TABLE	49
TAPE MECHANISM EXPLODED VIEW <6ZM-3 PR4NM>	50
TAPE MECHANISM PARTS LIST <6ZM-3 PR4NM>	51 ~ 52
GENERAL SPEAKER DISASSEMBLY INSTRUCTIONS (FOR REFERENCE)	53
SPEAKER PARTS LIST (SX-NR70)	54
OTHER PARTS LIST	55 ~ 56

SPECIFICATIONS -1/1

MAIN UNIT CX-NR71

TUNER

FM tuning range	87.5 MHz to 108 MHz
FM usable sensitivity (IHF)	16.8 dBf
FM antenna terminal	75 ohms (unbalanced)
MW tuning range	531 kHz to 1602 kHz (9 kHz step) 530 kHz to 1710 kHz (10 kHz step)
MW usable sensitivity	350 μ V/m
LW tuning range	144 kHz to 290 kHz
LW usable sensitivity	1400 μ V/m
MW/LW antenna	Loop antenna

AMPLIFIER

Power output	Rated: 64 W + 64 W (6 ohms, T.H.D. 1 %, 1 kHz/DIN 45500) Reference:80 W + 80 W (6 ohms, T.H.D. 10 %, 1 kHz/DIN 45324) DIN MUSIC POWER: 210 W + 210 W
Total harmonic distortion	0.08 % (32 W, 1 kHz, 6 ohms, DIN AUDIO)
Input	VIDEO/AUX: 500 mV
Outputs	SPEAKERS: 6 ohms or more CD DIGITAL OUT (OPTICAL) PHONES: 32 ohms or more

CASSETTE DECK

Track format	4 tracks, 2 channels stereo
Frequency response	50 Hz - 15 kHz
Recording system	AC bias
Heads	DECK 1: playback x 1 DECK 2: recording/playback x 1, erase x 1

CD PLAYER

Laser	Semiconductor laser ($\lambda = 780$ nm)
D/A converter	1 bit dual
Signal-to-noise ratio	85 dB (1 kHz, 0 dB)
Harmonic distortion	0.05 % (1 kHz, 0 dB)

GENERAL

Power requirements	230 V AC, 50 Hz
Power consumption	105 W
Power consumption in standby mode	With ECO mode on: 0.6 W With ECO mode off: 20 W
Dimensions (W x H x D)	260 x 324 x 360 mm
Weight	7.1 kg

FRONT SPEAKERS SX-NR70

Speaker system	3 way, bass reflex (magnetic shielded)
Speaker units	Woofer: 160 mm cone Tweeter: 60 mm cone Super tweeter: 20 mm ceramic x 2
Impedance	6 ohms
Dimensions (W x H x D)	250 x 324 x 260 mm
Weight	4.2 kg

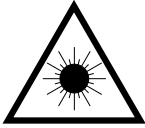
Specifications and external appearance are subject to change without notice.

PROTECTION OF EYES FROM LASER BEAM DURING SERVICING -1/1

This set employs laser. Therefore, be sure to follow carefully the instructions below when servicing.

WARNING!!

WHEN SERVICING, DO NOT APPROACH THE LASER EXIT WITH THE EYE TOO CLOSELY. IN CASE IT IS NECESSARY TO CONFIRM LASER BEAM EMISSION. BE SURE TO OBSERVE FROM A DISTANCE OF MORE THAN 30cm FROM THE SURFACE OF THE OBJECTIVE LENS ON THE OPTICAL PICK-UP BLOCK.



- Caution: Invisible laser radiation when open and interlocks defeated avoid exposure to beam.
- Advarsel: Usynlig laserstråling ved åbning, når sikkerhedsafbrydere er ude af funktion. Undgå udsættelse for stråling.

VAROITUS!

Laiteen Käyttäminen muulla kuin tässä käyttöohjeessa mainitulla tavalla saattaa altistaa käyttäjän turvallisuusluokan 1 ylittävälle näkymättömälle lasersäteilylle.

WARNING!

Om apparaten används på annat sätt än vad som specificeras i denna bruksanvisning, kan användaren utsättas för osynlig laserstrålning, som överskrider gränsen för laserklass 1.

CAUTION

Use of controls or adjustments or performance of procedures other than those specified herein may result in hazardous radiation exposure.

ATTENTION

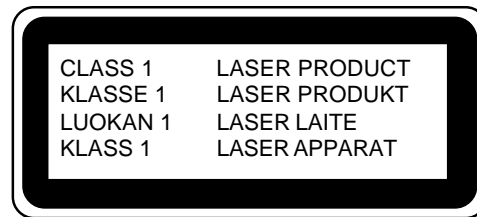
L'utilisation de commandes, réglages ou procédures autres que ceux spécifiés peut entraîner une dangereuse exposition aux radiations.

ADVARSEL

Usynlig laserstråling ved åbning, når sikkerhedsafbrydere er ude af funktion. Undgå udsættelse for stråling.

This Compact Disc player is classified as a CLASS 1 LASER product.

The CLASS 1 LASER PRODUCT label is located on the rear exterior.

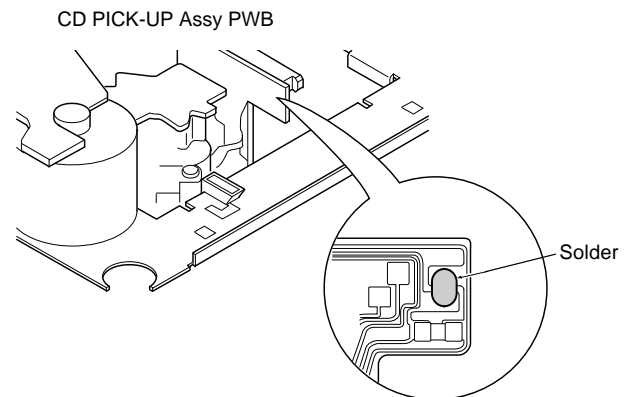


Precaution to replace Optical block

(KSM-213RSCM)

Body or clothes electrostatic potential could ruin laser diode in the optical block. Be sure ground body and workbench, and use care the clothes do not touch the diode.

- 1) After the connection, remove solder shown in right figure.



NOTE ON BEFORE STARTING REPAIR -1/2

1. Forced discharge of electrolytic capacitor of power supply block

When repair is going to be attempted in the set that uses relay circuit in the power supply block, electric potential is kept charged across the electrolytic capacitors (C101, 102) even though AC power cord is removed. If repair is attempted in this condition, secondary defect can occur. In order to prevent the secondary trouble, perform the following measures before starting repair work.

Discharge procedure

- ① Remove the AC power cord.
- ② Connect a discharging resistor at an end of lead wire that has clips at both ends. Connect the other end of the lead wire to metal chassis.
- ③ Contact the other end of the discharging resistor to the positive (+) side (+VH) of C101. (For two seconds)
- ④ Contact the same end of the discharging resistor as step ③ to the negative (-) side (-VH) of C102 in the same way. (For two seconds)
- ⑤ Check that voltage across C101 and C102 has decreased to 1 V or less using a multimeter or an oscilloscope.

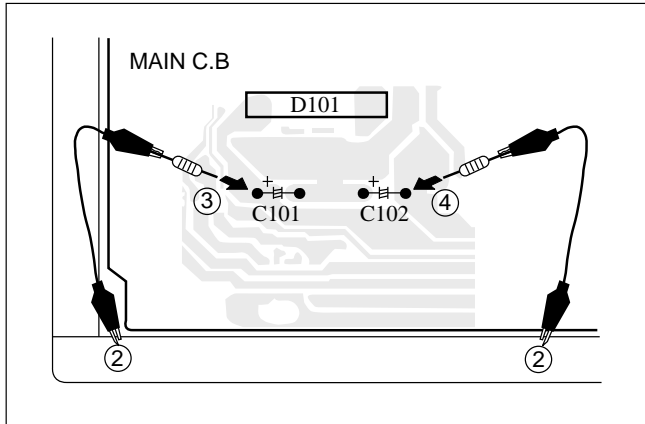


Fig-1

Select a discharging resistor referring to the following table.

Charging voltage (V) (C101, 102)	Discharging resistor (Ω)	Rated power (W)	Parts number
25-48	100	3	87-A00-247-090
49-140	220	5	87-A00-232-090

Note: The reference numbers (C101, C102) of the electrolytic capacitors can change depending on the models. Be sure to check the reference numbers of the charging capacitors on schematic diagram before starting the discharging work.

2. Check items before exchanging the MICROCOMPUTER

Be sure to check the following items before exchanging the MICROCOMPUTER. Exchange the MICROCOMPUTER after confirming that the MICROCOMPUTER is surely defective.

2-1. Regarding the HOLD terminal of the MICROCOMPUTER

When the HOLD terminal (INPUT) of the MICROCOMPUTER is "H", the MICROCOMPUTER is judged to be operating correctly.

When this terminal is "L", the main power cannot be turned on. Therefore, be sure to check the terminal voltage of the HOLD terminal before exchange.

When the MICROCOMPUTER is not defective, the HOLD terminal can also go "L" when the POWER AMPLIFIER has any abnormalities that triggers the abnormality detection circuit on the MAIN C. B. that sets the HOLD terminal to "L".

- Good or no good judgement of the MICROCOMPUTER

- ① Turn on the AC main power.
- ② Confirm that the main power is turned on and the HOLD terminal of the MICROCOMPUTER keeps the "H" level or not.
- ③ When the HOLD terminal is "L" level, the abnormality detection circuit is judged to be working correctly and the MICROCOMPUTER is judged to be good.

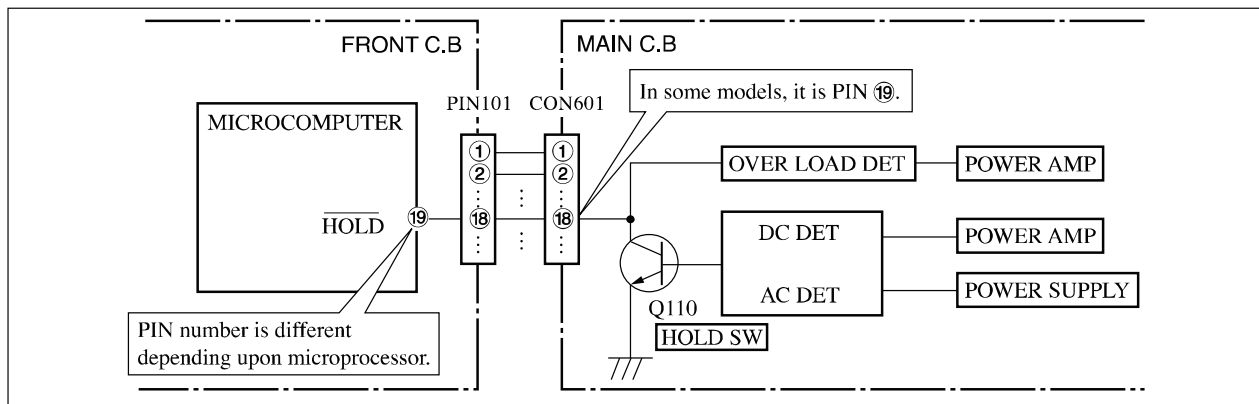


Fig-2-1

NOTE ON BEFORE STARTING REPAIR -2/2

In such a case, check also if the POWER AMPLIFIER circuit or power supply circuit has any abnormalities or not.

2-2. Regarding reset

There are cases that the machine does not work correctly because the MICROCOMPUTER is not reset even though the AC power cord is re-inserted, or the software reset (pressing the STOP key + POWER key) is performed.

When the above described phenomenon occurs, it can lead to wrong judgement as if the MICROCOMPUTER is defective and to exchange the MICROCOMPUTER. In such a case, perform the forced-reset by the following procedure and check good or no good of the MICROCOMPUTER.

- ① Remove the AC power cord.

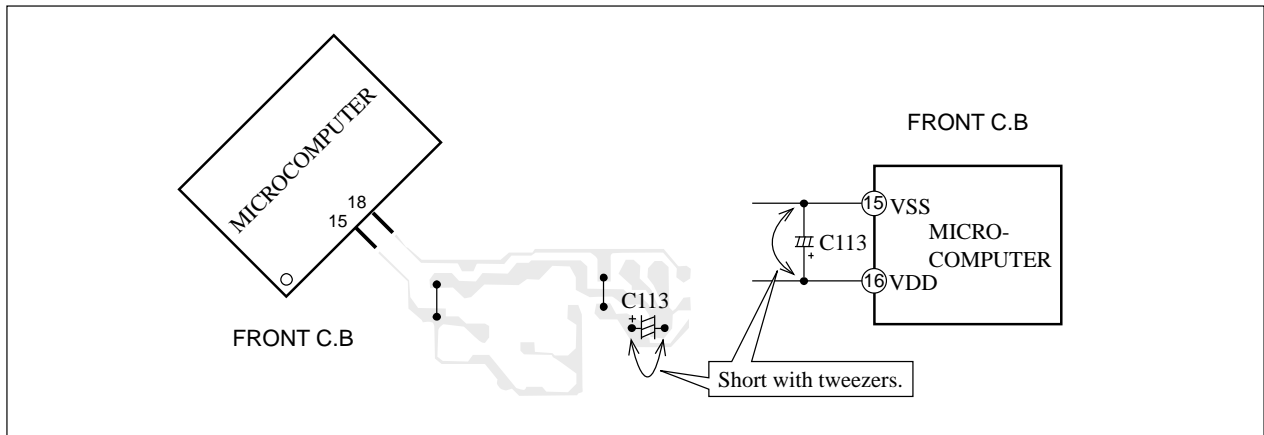


Fig-2-2

- ② Short both ends of the electrolytic capacitor C113 that is connected to VDD of the MICROCOMPUTER with tweezers.
- ③ Connect the AC power cord again. If the MICROCOMPUTER returns to the normal operation, the MICROCOMPUTER is good.

Note: The reference number or MICROCOMPUTER pin number of transistor (Q110) and electrolytic capacitor (C113) can change depending on the models. Be sure to check the reference numbers on schematic diagram before starting the discharging work.

2-3. Confirmation of soldering state of MICROCOMPUTER

Check the soldering state of the MICROCOMPUTER in addition to the above described procedures. Be sure to exchange the MICROCOMPUTER after surely confirming that the trouble is not caused by poor soldering but the MICROCOMPUTER itself.

ACCESSORIES PARTS LIST -1/1

- ! = Δ SAFTY PARTS
- C = Components marked

All components used on this model at the production line are shown in this service manual.

However, please note that not all components will be available as spare parts for after-sales service.

Components marked S and O are designated as spare parts for service and will be stocked at the spare parts centers.

Components marked X and R are not designated as spare parts for after sales service, and will not be stocked at the spare parts centers.

UNIT-NAME	! C	REF-NO	PARTS-NO	PARTS-NAME	SUFFIX&MODEL
					CX - SNR71
					EZSM
	O	AS1001	8C-NF6-906-010	IB, EZ (9L) M NSX-R71	a
	X	AS1002	8B-NF1-701-110	RC UNIT, CAS01	a
	X	AS1003	87-006-225-010	ANT, LOOP ANT NC2	a
	X	AS1004	87-A92-346-010	ANT, WIRE FM (FASTEN)	a

ELECTRICAL PARTS LIST - 1/16

! = Δ SAFTY PARTS
 C = Components marked

All components used on this model at the production line are shown in this service manual.
 However, please note that not all components will be available as spare parts for after-sales service.
 Components marked S and O are designated as spare parts for service and will be stocked at the spare parts centers.
 Components marked X and R are not designated as spare parts for after sales service, and will not be stocked at the spare parts centers.

UNIT-NAME	! C	REF-NO	PARTS-NO	PARTS-NAME	SUFFIX&MODEL
					CX-SNR71 EZSM
CD-LED	O	CN 0201	87-099-211-010	CONN,4P V BLK 6216	a
CD-LED	O	LED0202	87-A41-120-040	LED,SEL6810ATP5 UMB	a
CD-LED	O	LED0203	87-A41-120-040	LED,SEL6810ATP5 UMB	a
CD-LED	O	LED0204	87-A41-120-040	LED,SEL6810ATP5 UMB	a
CD-LED	X R	0201	88-128-681-080	C-RES, 680-1/8W J	a
CD-LED	X R	0202	88-128-681-080	C-RES, 680-1/8W J	a
CD-LED	X R	0203	88-128-681-080	C-RES, 680-1/8W J	a
DECK	O	CN 0001	87-099-753-010	CONN,11P H 9604	a
DECK	X	CRD0001	82-ZM3-601-010	RBN-CORD,4P-75	a
DECK	S	IC 0001	87-A21-269-010	IC,EW732	a
DECK	S	IC 0002	87-A21-269-010	IC,EW732	a
DECK	O	M 0001	87-A92-321-010	MOT,SHU2L 60	a
DECK	X R	0001	88-121-392-080	RES,3.9K-1/8W J	a
DECK	O	SFR0001	87-024-581-010	SFR,3.3K H KVSF637A	a
DECK	O	SOL0001	82-ZM3-627-010	SOL ASSY,27 SO	a
DECK	O	SOL0002	82-ZM3-627-010	SOL ASSY,27 SO	a
DECK	O	SW 0001	87-A90-248-010	SW,MICRO ESE11SH2CXQ	a
DECK	O	SW 0002	87-A90-248-010	SW,MICRO ESE11SH2CXQ	a
DECK	O	SW 0003	87-A90-248-010	SW,MICRO ESE11SH2CXQ	a
DECK	O	SW 0004	87-A90-248-010	SW,MICRO ESE11SH2CXQ	a
					CX-SNR71 EZSM
DECK	O	SW 0005	87-A90-248-010	SW,MICRO ESE11SH2CXQ	a
FRONT	O	C 0108	87-010-785-080	C-CAP,U 0.015-25 K B GRM	a
FRONT	O	C 0153	87-010-787-080	C-CAP,U 0.022-25 K B GRM	a
FRONT	O	C 0154	87-A12-078-040	CAP,E 47-35 SMG	a
FRONT	O	C 0155	87-A12-090-040	CAP,E 4.7-50 SMG	a
FRONT	O	C 0156	87-A12-090-040	CAP,E 4.7-50 SMG	a
FRONT	O	C 0201	87-010-759-080	C-CAP,U 0.1-25 Z F CM/CB	a
FRONT	O	C 0202	87-012-195-080	C-CAP,U 100P-50 J CH GRM	a
FRONT	O	C 0203	87-012-195-080	C-CAP,U 100P-50 J CH GRM	a
FRONT	O	C 0204	87-012-195-080	C-CAP,U 100P-50 J CH GRM	a
FRONT	O	C 0301	87-012-278-080	C-CAP,U 2200P-50 K B GRM	a
FRONT	O	C 0351	87-A10-353-080	C-CAP,U 0.22-10 K B	a
FRONT	O	C 0361	87-012-274-080	C-CAP,U 1000P-50 K B GRM	a
FRONT	O	C 0362	87-012-274-080	C-CAP,U 1000P-50 K B GRM	a
FRONT	O	C 0363	87-012-274-080	C-CAP,U 1000P-50 K B GRM	a
FRONT	O	C 0364	87-012-274-080	C-CAP,U 1000P-50 K B GRM	a
FRONT	O	C 0371	87-012-274-080	C-CAP,U 1000P-50 K B GRM	a
FRONT	O	C 0372	87-012-274-080	C-CAP,U 1000P-50 K B GRM	a
FRONT	O	C 0601	87-A12-069-040	CAP,E 22-25 SMG	a
FRONT	O	C 0801	87-A11-969-080	C-CAP,U 0.082U-16 K B	a
					CX-SNR71 EZSM
FRONT	O	C 0803	87-012-280-080	C-CAP,U 3300P-50 K B GRM	a
FRONT	O	C 0804	87-A10-592-080	C-CAP,S 0.015-50 J B	a
FRONT	O	C 0806	87-012-286-080	C-CAP,U 0.01-25 K B GRM	a
FRONT	O	C 0808	87-A12-087-040	CAP,E 1-50 SMG	a
FRONT	O	C 0809	87-A12-092-040	CAP,E 22-50 SMG	a
FRONT	O	C 0810	87-A11-057-080	C-CAP,U 0.1-16 K B	a
FRONT	O	C 0811	87-012-280-080	C-CAP,U 3300P-50 K B GRM	a
FRONT	O	C 0812	87-012-281-080	C-CAP,U 3900P-50 K B GRM	a
FRONT	O	C 0901	87-012-195-080	C-CAP,U 100P-50 J CH GRM	a
FRONT	O	C 0902	87-012-195-080	C-CAP,U 100P-50 J CH GRM	a
FRONT	O	C 0903	87-012-195-080	C-CAP,U 100P-50 J CH GRM	a
FRONT	O	C 0904	87-012-195-080	C-CAP,U 100P-50 J CH GRM	a
FRONT	O	C 0905	87-012-195-080	C-CAP,U 100P-50 J CH GRM	a
FRONT	O	C 0906	87-012-195-080	C-CAP,U 100P-50 J CH GRM	a
FRONT	O	C 0907	87-012-195-080	C-CAP,U 100P-50 J CH GRM	a
FRONT	O	C 0908	87-012-195-080	C-CAP,U 100P-50 J CH GRM	a
FRONT	O	C 0909	87-012-195-080	C-CAP,U 100P-50 J CH GRM	a
FRONT	O	C 0910	87-012-195-080	C-CAP,U 100P-50 J CH GRM	a
FRONT	O	C 0911	87-012-274-080	C-CAP,U 1000P-50 K B GRM	a
FRONT	O	C 0912	87-010-759-080	C-CAP,U 0.1-25 Z F CM/CB	a
					CX-SNR71 EZSM
FRONT	O	C 0913	87-A10-189-040	CAP,E 220-10 M 5L	a
FRONT	O	C 0915	87-010-759-080	C-CAP,U 0.1-25 Z F CM/CB	a
FRONT	O	C 0916	87-010-759-080	C-CAP,U 0.1-25 Z F CM/CB	a
FRONT	O	C 0917	87-010-759-080	C-CAP,U 0.1-25 Z F CM/CB	a
FRONT	O	C 0919	87-012-286-080	C-CAP,U 0.01-25 K B GRM	a
FRONT	O	C 0920	87-010-829-080	C-CAP,U 0.047-16 Z F CM/CB	a
FRONT	O	C 0921	87-012-282-080	C-CAP,U 4700P-50 K B GRM	a
FRONT	O	C 0922	87-012-195-080	C-CAP,U 100P-50 J CH GRM	a
FRONT	O	C 0951	87-012-172-080	C-CAP,U 10P-50 D CH GRM	a
FRONT	O	C 0952	87-010-854-080	C-CAP,S 560P-50 J CH CMC	a
FRONT	O	C 0953	87-012-349-080	C-CAP,S 1000P-50 J CH GRM	a
FRONT	O	C 0961	87-A12-075-040	CAP,E 10-35 SMG	a
FRONT	O	C 0962	87-012-336-080	C-CAP,U 330P-50 J SL GRM	a
FRONT	O	C 0963	87-010-759-080	C-CAP,U 0.1-25 Z F CM/CB	a
FRONT	O	CN 0104	87-A60-057-010	CONN,11P V 9604S-11C	a
FRONT	O	CN 0202	87-099-209-010	CONN,4P H BLK 6216	a
FRONT	O	CN 0701	87-099-720-010	CONN,30P BLK TYK-B(P)	a
FRONT	O	CN 0731	87-099-196-010	CONN,8P V BLK 6216	a
FRONT	S	D 0104	87-A40-291-080	DIODE,1N4148M (CPT)	a
FRONT	S	D 0301	87-A40-748-080	ZENER,UZ5.6BSA	a

ELECTRICAL PARTS LIST - 2/16

! = Δ SAFTY PARTS
 C = Components marked

All components used on this model at the production line are shown in this service manual.
 However, please note that not all components will be available as spare parts for after-sales service.
 Components marked S and O are designated as spare parts for service and will be stocked at the spare parts centers.
 Components marked X and R are not designated as spare parts for after sales service, and will not be stocked at the spare parts centers.

UNIT-NAME	! C	REF-NO	PARTS-NO	PARTS-NAME	SUFFIX&MODEL
					CX-SNR71 EZSM
FRONT		S D	0302 87-A40-291-080	DIODE,1N4148M (CPT)	a
FRONT		S D	0601 87-A40-269-080	C-DIODE,MC2836	a
FRONT		S D	0658 87-A40-269-080	C-DIODE,MC2836	a
FRONT		X D	0701 88-100-000-010	PLATING-JW, 0.58 SN95	a
FRONT		X D	0702 88-100-000-010	PLATING-JW, 0.58 SN95	a
FRONT		X D	0703 88-100-000-010	PLATING-JW, 0.58 SN95	a
FRONT		S D	0801 87-A40-291-080	DIODE,1N4148M (CPT)	a
FRONT		S D	0981 87-A40-291-080	DIODE,1N4148M (CPT)	a
FRONT		S D	0983 87-A40-291-080	DIODE,1N4148M (CPT)	a
FRONT		O	FFC0104 88-911-101-110	FF-CABLE,11P 1.25 100MM	a
FRONT		O	FFC0202 88-904-201-110	FF-CABLE,4P 1.25	a
FRONT		O	FFC0731 88-908-301-110	FF-CABLE,8P 1.25 300MM	a
FRONT		O	FL 0901 8C-NF5-603-010	FL,HUA-11MM42T	a
FRONT		S IC	0601 87-070-289-040	C-IC,BU2092F	a
FRONT		S IC	0901 8C-NF5-602-030	C-IC,UPD780228-081-3BA	a
FRONT		S IC	0961 87-A21-831-010	IC,SPS-442-1-F1	a
FRONT		O	JR 0601 88-108-101-080	C-RES,U 100-1/16W J	a
FRONT		O	JR 0605 88-108-101-080	C-RES,U 100-1/16W J	a
FRONT		O	JR 0609 88-108-101-080	C-RES,U 100-1/16W J	a
FRONT		O	JR 0617 88-108-101-080	C-RES,U 100-1/16W J	a
					CX-SNR71 EZSM
FRONT		X JW	0937 88-121-101-080	RES,100-1/8W J	a
FRONT		O L	0951 87-A50-655-010	COIL,CLK 4.19MHZ (TOKO) 7KLY	a
FRONT		O	LED0201 87-A41-062-040	LED,LTL-1CHEE-012A RED	a
FRONT		O	LED0205 87-A41-062-040	LED,LTL-1CHEE-012A RED	a
FRONT		O	LED0206 87-A41-062-040	LED,LTL-1CHEE-012A RED	a
FRONT		O	LED0207 87-A41-062-040	LED,LTL-1CHEE-012A RED	a
FRONT		O	LED0208 87-A41-062-040	LED,LTL-1CHEE-012A RED	a
FRONT		S Q	0102 87-A30-076-080	C-TR,2SC3052F	a
FRONT		S Q	0103 87-A30-538-040	C-TR,SRA2202S	a
FRONT		S Q	0104 87-A30-538-040	C-TR,SRA2202S	a
FRONT		S Q	0301 87-A30-494-080	TR,2SA1980G	a
FRONT		S Q	0302 87-A30-076-080	C-TR,2SC3052F	a
FRONT		S Q	0303 87-A30-076-080	C-TR,2SC3052F	a
FRONT		S Q	0601 87-A30-495-080	TR,2SA1981Y	a
FRONT		S Q	0602 87-A30-495-080	TR,2SA1981Y	a
FRONT		S Q	0603 89-112-965-080	TR,2SA1296GR	a
FRONT		S Q	0801 87-A30-076-080	C-TR,2SC3052F	a
FRONT		S Q	0803 87-A30-288-040	C-TR,DTC114YKA	a
FRONT		S Q	0804 87-A30-288-040	C-TR,DTC114YKA	a
FRONT		S Q	0805 87-A30-288-040	C-TR,DTC114YKA	a
					CX-SNR71 EZSM
FRONT		S Q	0806 87-A30-076-080	C-TR,2SC3052F	a
FRONT		S Q	0901 87-A30-538-040	C-TR,SRA2202S	a
FRONT		O R	0109 88-108-224-080	C-RES,U 220K-1/16W J	a
FRONT		O R	0110 88-108-153-080	C-RES,U 15K-1/16W J	a
FRONT		X R	0111 88-108-333-080	C-RES,U 33K-1/16W J	a
FRONT		O R	0112 88-108-224-080	C-RES,U 220K-1/16W J	a
FRONT		O R	0114 88-108-103-080	C-RES,U 10K-1/16W J	a
FRONT		O R	0115 88-108-153-080	C-RES,U 15K-1/16W J	a
FRONT		X R	0116 88-108-104-080	C-RES,U 100K-1/16W J	a
FRONT		X R	0151 88-100-000-010	PLATING-JW, 0.58 SN95	a
FRONT		X R	0152 88-100-000-010	PLATING-JW, 0.58 SN95	a
FRONT		X R	0153 88-128-821-080	C-RES, 820-1/8W J	a
FRONT		X R	0154 88-128-821-080	C-RES, 820-1/8W J	a
FRONT		O R	0155 88-108-332-080	C-RES,U 3.3K-1/16W J	a
FRONT		O R	0156 88-108-332-080	C-RES,U 3.3K-1/16W J	a
FRONT		X R	0160 88-108-000-080	C-JUMPER,U	a
FRONT		X R	0161 88-108-000-080	C-JUMPER,U	a
FRONT		X R	0162 88-108-000-080	C-JUMPER,U	a
FRONT		X R	0163 88-108-000-080	C-JUMPER,U	a
FRONT		X R	0164 88-108-000-080	C-JUMPER,U	a
					CX-SNR71 EZSM
FRONT		X R	0165 88-108-000-080	C-JUMPER,U	a
FRONT		X R	0166 88-108-000-080	C-JUMPER,U	a
FRONT		X R	0206 88-128-102-080	C-RES, 1K-1/8W J	a
FRONT		X R	0207 88-128-102-080	C-RES, 1K-1/8W J	a
FRONT		X R	0208 88-128-102-080	C-RES, 1K-1/8W J	a
FRONT		X R	0211 88-121-102-080	RES,1K-1/8W J	a
FRONT		X R	0212 88-121-102-080	RES,1K-1/8W J	a
FRONT		X R	0213 88-121-103-080	RES,10K-1/8W J	a
FRONT		X R	0215 88-121-103-080	RES,10K-1/8W J	a
FRONT		X R	0216 88-121-103-080	RES,10K-1/8W J	a
FRONT		X R	0217 88-108-472-080	C-RES,U 4.7K-1/16W J	a
FRONT		X R	0218 88-121-101-080	RES,100-1/8W J	a
FRONT		X R	0301 88-108-104-080	C-RES,U 100K-1/16W J	a
FRONT		X R	0302 88-108-472-080	C-RES,U 4.7K-1/16W J	a
FRONT		O R	0303 88-108-153-080	C-RES,U 15K-1/16W J	a
FRONT		O R	0304 88-108-102-080	C-RES,U 1K-1/16W J	a
FRONT		X R	0306 88-108-471-080	C-RES,U 470-1/16W J	a
FRONT		O R	0321 88-108-103-080	C-RES,U 10K-1/16W J	a
FRONT		O R	0322 88-108-102-080	C-RES,U 1K-1/16W J	a
FRONT		X R	0323 88-108-821-080	C-RES,U 820-1/16W J	a

ELECTRICAL PARTS LIST - 3/16

! = Δ SAFTY PARTS
 C = Components marked

All components used on this model at the production line are shown in this service manual.
 However, please note that not all components will be available as spare parts for after-sales service.
 Components marked S and O are designated as spare parts for service and will be stocked at the spare parts centers.
 Components marked X and R are not designated as spare parts for after sales service, and will not be stocked at the spare parts centers.

UNIT-NAME	! C	REF-NO	PARTS-NO	PARTS-NAME	SUFFIX&MODEL
					CX-SNR71 EZSM
FRONT		X R	0324 88-121-122-080	RES,1.2K-1/8W J	a
FRONT		X R	0325 88-108-122-080	C-RES,U 1.2K-1/16W J	a
FRONT		X R	0326 88-108-122-080	C-RES,U 1.2K-1/16W J	a
FRONT		X R	0327 88-108-182-080	C-RES,U 1.8K-1/16W J	a
FRONT		X R	0328 88-108-182-080	C-RES,U 1.8K-1/16W J	a
FRONT		X R	0329 88-121-272-080	RES,2.7K-1/8W J	a
FRONT		O R	0330 88-108-332-080	C-RES,U 3.3K-1/16W J	a
FRONT		X R	0331 88-108-472-080	C-RES,U 4.7K-1/16W J	a
FRONT		X R	0332 88-108-682-080	C-RES,U 6.8K-1/16W J	a
FRONT		O R	0333 88-108-103-080	C-RES,U 10K-1/16W J	a
FRONT		O R	0341 88-108-103-080	C-RES,U 10K-1/16W J	a
FRONT		O R	0342 88-108-102-080	C-RES,U 1K-1/16W J	a
FRONT		X R	0343 88-108-821-080	C-RES,U 820-1/16W J	a
FRONT		O R	0344 88-108-102-080	C-RES,U 1K-1/16W J	a
FRONT		X R	0345 88-108-122-080	C-RES,U 1.2K-1/16W J	a
FRONT		X R	0346 88-108-122-080	C-RES,U 1.2K-1/16W J	a
FRONT		X R	0347 88-108-182-080	C-RES,U 1.8K-1/16W J	a
FRONT		X R	0348 88-108-182-080	C-RES,U 1.8K-1/16W J	a
FRONT		O R	0349 88-108-272-080	C-RES,U 2.7K-1/16W J	a
FRONT		O R	0350 88-108-332-080	C-RES,U 3.3K-1/16W J	a
					CX-SNR71 EZSM
FRONT		O R	0361 88-108-103-080	C-RES,U 10K-1/16W J	a
FRONT		O R	0362 88-108-103-080	C-RES,U 10K-1/16W J	a
FRONT		X R	0363 88-108-100-080	C-RES,U 10-1/16W J	a
FRONT		X R	0364 88-108-100-080	C-RES,U 10-1/16W J	a
FRONT		O R	0365 88-108-103-080	C-RES,U 10K-1/16W J	a
FRONT		O R	0366 88-108-103-080	C-RES,U 10K-1/16W J	a
FRONT		X R	0367 88-108-100-080	C-RES,U 10-1/16W J	a
FRONT		X R	0368 88-108-100-080	C-RES,U 10-1/16W J	a
FRONT		O R	0371 88-108-103-080	C-RES,U 10K-1/16W J	a
FRONT		O R	0372 88-108-103-080	C-RES,U 10K-1/16W J	a
FRONT		X R	0373 88-108-100-080	C-RES,U 10-1/16W J	a
FRONT		X R	0374 88-108-100-080	C-RES,U 10-1/16W J	a
FRONT		X R	0420 88-129-000-080	C-JUMPER, 3216	a
FRONT		O R	0601 88-108-103-080	C-RES,U 10K-1/16W J	a
FRONT		X R	0602 88-108-222-080	C-RES,U 2.2K-1/16W J	a
FRONT		O R	0603 88-108-103-080	C-RES,U 10K-1/16W J	a
FRONT		X R	0604 88-108-222-080	C-RES,U 2.2K-1/16W J	a
FRONT		O R	0605 88-108-103-080	C-RES,U 10K-1/16W J	a
FRONT		O R	0606 88-108-102-080	C-RES,U 1K-1/16W J	a
FRONT		X R	0607 88-108-000-080	C-JUMPER,U	a
					CX-SNR71 EZSM
FRONT		O R	0611 88-108-473-080	C-RES,U 47K-1/16W J	a
FRONT		O R	0613 88-108-473-080	C-RES,U 47K-1/16W J	a
FRONT		O R	0614 88-108-473-080	C-RES,U 47K-1/16W J	a
FRONT		O R	0615 88-108-473-080	C-RES,U 47K-1/16W J	a
FRONT		O R	0616 88-108-473-080	C-RES,U 47K-1/16W J	a
FRONT		X R	0658 88-108-152-080	C-RES,U 1.5K-1/16W J	a
FRONT		O R	0701 88-108-102-080	C-RES,U 1K-1/16W J	a
FRONT		O R	0702 88-108-102-080	C-RES,U 1K-1/16W J	a
FRONT		O R	0703 88-108-102-080	C-RES,U 1K-1/16W J	a
FRONT		O R	0704 88-108-102-080	C-RES,U 1K-1/16W J	a
FRONT		O R	0705 88-108-102-080	C-RES,U 1K-1/16W J	a
FRONT		O R	0706 88-108-102-080	C-RES,U 1K-1/16W J	a
FRONT		O R	0707 88-108-102-080	C-RES,U 1K-1/16W J	a
FRONT		O R	0708 88-108-102-080	C-RES,U 1K-1/16W J	a
FRONT		O R	0709 88-108-101-080	C-RES,U 100-1/16W J	a
FRONT		O R	0710 88-108-101-080	C-RES,U 100-1/16W J	a
FRONT		O R	0711 88-108-101-080	C-RES,U 100-1/16W J	a
FRONT		O R	0712 88-108-101-080	C-RES,U 100-1/16W J	a
FRONT		O R	0715 88-108-101-080	C-RES,U 100-1/16W J	a
FRONT		X R	0716 88-108-472-080	C-RES,U 4.7K-1/16W J	a
					CX-SNR71 EZSM
FRONT		X R	0719 88-108-100-080	C-RES,U 10-1/16W J	a
FRONT		X R	0721 88-128-101-080	C-RES, 100-1/8W J	a
FRONT		O R	0730 88-108-102-080	C-RES,U 1K-1/16W J	a
FRONT		O R	0732 88-108-101-080	C-RES,U 100-1/16W J	a
FRONT		O R	0733 88-108-101-080	C-RES,U 100-1/16W J	a
FRONT		O R	0734 88-108-102-080	C-RES,U 1K-1/16W J	a
FRONT		O R	0735 88-108-102-080	C-RES,U 1K-1/16W J	a
FRONT		O R	0740 88-108-102-080	C-RES,U 1K-1/16W J	a
FRONT		O R	0741 88-108-101-080	C-RES,U 100-1/16W J	a
FRONT		O R	0742 88-108-102-080	C-RES,U 1K-1/16W J	a
FRONT		X R	0743 88-108-474-080	C-RES,U 470K-1/16W J	a
FRONT		O R	0744 88-108-823-080	C-RES,U 82K-1/16W J	a
FRONT		X R	0745 88-108-104-080	C-RES,U 100K-1/16W J	a
FRONT		X R	0749 88-108-474-080	C-RES,U 470K-1/16W J	a
FRONT		X R	0801 88-108-472-080	C-RES,U 4.7K-1/16W J	a
FRONT		X R	0802 88-108-222-080	C-RES,U 2.2K-1/16W J	a
FRONT		X R	0803 88-108-152-080	C-RES,U 1.5K-1/16W J	a
FRONT		O R	0804 88-108-224-080	C-RES,U 220K-1/16W J	a
FRONT		X R	0805 88-108-393-080	C-RES,U 39K-1/16W J	a
FRONT		X R	0807 88-108-000-080	C-JUMPER,U	a

ELECTRICAL PARTS LIST - 4/16

! = Δ SAFTY PARTS
 C = Components marked

All components used on this model at the production line are shown in this service manual.
 However, please note that not all components will be available as spare parts for after-sales service.
 Components marked S and O are designated as spare parts for service and will be stocked at the spare parts centers.
 Components marked X and R are not designated as spare parts for after sales service, and will not be stocked at the spare parts centers.

UNIT-NAME	! C	REF-NO	PARTS-NO	PARTS-NAME	SUFFIX&MODEL
					CX-SNR71 EZSM
FRONT	X R	0808	88-121-101-080	RES,100-1/8W J	a
FRONT	O R	0810	88-108-103-080	C-RES,U 10K-1/16W J	a
FRONT	X R	0811	88-108-334-080	C-RES,U 330K-1/16W J	a
FRONT	O R	0813	87-A11-057-080	C-CAP,U 0.1-16 K B	a
FRONT	X R	0815	88-108-472-080	C-RES,U 4.7K-1/16W J	a
FRONT	X R	0816	88-108-334-080	C-RES,U 330K-1/16W J	a
FRONT	O R	0818	87-A11-057-080	C-CAP,U 0.1-16 K B	a
FRONT	O R	0819	88-108-103-080	C-RES,U 10K-1/16W J	a
FRONT	O R	0821	88-108-224-080	C-RES,U 220K-1/16W J	a
FRONT	O R	0822	87-A11-057-080	C-CAP,U 0.1-16 K B	a
FRONT	X R	0823	88-121-101-080	RES,100-1/8W J	a
FRONT	X R	0824	88-121-101-080	RES,100-1/8W J	a
FRONT	X R	0825	88-121-101-080	RES,100-1/8W J	a
FRONT	O R	0826	88-108-101-080	C-RES,U 100-1/16W J	a
FRONT	O R	0827	88-108-473-080	C-RES,U 47K-1/16W J	a
FRONT	O R	0828	88-108-224-080	C-RES,U 220K-1/16W J	a
FRONT	O R	0829	88-108-224-080	C-RES,U 220K-1/16W J	a
FRONT	X R	0830	88-108-104-080	C-RES,U 100K-1/16W J	a
FRONT	X R	0901	88-108-104-080	C-RES,U 100K-1/16W J	a
FRONT	X R	0902	88-108-104-080	C-RES,U 100K-1/16W J	a
					CX-SNR71 EZSM
FRONT	X R	0903	88-108-104-080	C-RES,U 100K-1/16W J	a
FRONT	X R	0904	88-108-104-080	C-RES,U 100K-1/16W J	a
FRONT	X R	0905	88-108-104-080	C-RES,U 100K-1/16W J	a
FRONT	X R	0906	88-108-104-080	C-RES,U 100K-1/16W J	a
FRONT	X R	0907	88-108-104-080	C-RES,U 100K-1/16W J	a
FRONT	X R	0908	88-108-104-080	C-RES,U 100K-1/16W J	a
FRONT	X R	0909	88-108-104-080	C-RES,U 100K-1/16W J	a
FRONT	X R	0910	88-108-104-080	C-RES,U 100K-1/16W J	a
FRONT	X R	0911	88-108-104-080	C-RES,U 100K-1/16W J	a
FRONT	X R	0912	88-108-104-080	C-RES,U 100K-1/16W J	a
FRONT	X R	0913	88-108-104-080	C-RES,U 100K-1/16W J	a
FRONT	X R	0914	88-108-104-080	C-RES,U 100K-1/16W J	a
FRONT	X R	0915	88-108-104-080	C-RES,U 100K-1/16W J	a
FRONT	X R	0916	88-108-104-080	C-RES,U 100K-1/16W J	a
FRONT	X R	0917	88-108-104-080	C-RES,U 100K-1/16W J	a
FRONT	X R	0918	88-108-104-080	C-RES,U 100K-1/16W J	a
FRONT	X R	0919	88-108-104-080	C-RES,U 100K-1/16W J	a
FRONT	X R	0920	88-108-104-080	C-RES,U 100K-1/16W J	a
FRONT	X R	0921	88-108-104-080	C-RES,U 100K-1/16W J	a
FRONT	X R	0922	88-108-104-080	C-RES,U 100K-1/16W J	a
					CX-SNR71 EZSM
FRONT	X R	0923	88-108-104-080	C-RES,U 100K-1/16W J	a
FRONT	X R	0924	88-108-104-080	C-RES,U 100K-1/16W J	a
FRONT	X R	0925	88-108-104-080	C-RES,U 100K-1/16W J	a
FRONT	X R	0926	88-108-104-080	C-RES,U 100K-1/16W J	a
FRONT	X R	0927	88-108-104-080	C-RES,U 100K-1/16W J	a
FRONT	X R	0928	88-108-104-080	C-RES,U 100K-1/16W J	a
FRONT	X R	0929	88-108-104-080	C-RES,U 100K-1/16W J	a
FRONT	X R	0930	88-108-104-080	C-RES,U 100K-1/16W J	a
FRONT	X R	0931	88-108-104-080	C-RES,U 100K-1/16W J	a
FRONT	X R	0932	88-108-104-080	C-RES,U 100K-1/16W J	a
FRONT	X R	0933	88-121-104-080	RES,100K-1/8W J	a
FRONT	X R	0934	88-108-683-080	C-RES,U 68K-1/16W J	a
FRONT	X R	0935	88-128-683-080	C-RES, 68K-1/8W J	a
FRONT	X R	0936	88-108-104-080	C-RES,U 100K-1/16W J	a
FRONT	X R	0937	88-128-472-080	C-RES, 4.7K-1/8W J	a
FRONT	X R	0938	88-108-472-080	C-RES,U 4.7K-1/16W J	a
FRONT	X R	0939	88-108-472-080	C-RES,U 4.7K-1/16W J	a
FRONT	X R	0940	88-108-104-080	C-RES,U 100K-1/16W J	a
FRONT	X R	0941	88-108-104-080	C-RES,U 100K-1/16W J	a
FRONT	O R	0942	88-108-103-080	C-RES,U 10K-1/16W J	a
					CX-SNR71 EZSM
FRONT	X R	0943	88-121-472-080	RES,4.7K-1/8W J	a
FRONT	X R	0946	88-108-000-080	C-JUMPER,U	a
FRONT	X R	0947	88-108-104-080	C-RES,U 100K-1/16W J	a
FRONT	X R	0948	88-121-104-080	RES,100K-1/8W J	a
FRONT	O R	0951	88-108-102-080	C-RES,U 1K-1/16W J	a
FRONT	X R	0955	88-108-104-080	C-RES,U 100K-1/16W J	a
FRONT	X R	0956	88-108-104-080	C-RES,U 100K-1/16W J	a
FRONT	X R	0957	88-108-104-080	C-RES,U 100K-1/16W J	a
FRONT	X R	0958	88-108-104-080	C-RES,U 100K-1/16W J	a
FRONT	O R	0960	88-108-103-080	C-RES,U 10K-1/16W J	a
FRONT	X R	0961	88-121-181-080	RES,180-1/8W J	a
FRONT	O R	0963	88-108-563-080	C-RES,U 56K-1/16W J	a
FRONT	X R	0969	88-121-103-080	RES,10K-1/8W J	a
FRONT	X R	0970	88-108-104-080	C-RES,U 100K-1/16W J	a
FRONT	X R	0971	88-108-104-080	C-RES,U 100K-1/16W J	a
FRONT	X R	0972	88-108-104-080	C-RES,U 100K-1/16W J	a
FRONT	X R	0973	88-108-104-080	C-RES,U 100K-1/16W J	a
FRONT	X R	0974	88-108-104-080	C-RES,U 100K-1/16W J	a
FRONT	O S	0321	87-A90-164-080	SW, TACT SKQNAB (N)	a
FRONT	O S	0322	87-A90-164-080	SW, TACT SKQNAB (N)	a

ELECTRICAL PARTS LIST - 5/16

! = Δ SAFTY PARTS
 C = Components marked

All components used on this model at the production line are shown in this service manual.
 However, please note that not all components will be available as spare parts for after-sales service.
 Components marked S and O are designated as spare parts for service and will be stocked at the spare parts centers.
 Components marked X and R are not designated as spare parts for after sales service, and will not be stocked at the spare parts centers.

UNIT-NAME	! C	REF-NO	PARTS-NO	PARTS-NAME	SUFFIX&MODEL
					CX-SNR71 EZSM
FRONT	O S	0323	87-A90-164-080	SW, TACT SKQNAB (N)	a
FRONT	O S	0324	87-A90-164-080	SW, TACT SKQNAB (N)	a
FRONT	O S	0325	87-A90-164-080	SW, TACT SKQNAB (N)	a
FRONT	O S	0326	87-A90-164-080	SW, TACT SKQNAB (N)	a
FRONT	O S	0327	87-A90-164-080	SW, TACT SKQNAB (N)	a
FRONT	O S	0328	87-A90-164-080	SW, TACT SKQNAB (N)	a
FRONT	O S	0329	87-A90-164-080	SW, TACT SKQNAB (N)	a
FRONT	O S	0330	87-A90-164-080	SW, TACT SKQNAB (N)	a
FRONT	O S	0331	87-A90-164-080	SW, TACT SKQNAB (N)	a
FRONT	O S	0332	87-A90-164-080	SW, TACT SKQNAB (N)	a
FRONT	O S	0333	87-A90-164-080	SW, TACT SKQNAB (N)	a
FRONT	O S	0341	87-A90-164-080	SW, TACT SKQNAB (N)	a
FRONT	O S	0342	87-A90-164-080	SW, TACT SKQNAB (N)	a
FRONT	O S	0343	87-A90-164-080	SW, TACT SKQNAB (N)	a
FRONT	O S	0344	87-A90-164-080	SW, TACT SKQNAB (N)	a
FRONT	O S	0345	87-A90-164-080	SW, TACT SKQNAB (N)	a
FRONT	O S	0346	87-A90-164-080	SW, TACT SKQNAB (N)	a
FRONT	O S	0347	87-A90-164-080	SW, TACT SKQNAB (N)	a
FRONT	O S	0348	87-A90-164-080	SW, TACT SKQNAB (N)	a
FRONT	O S	0349	87-A90-164-080	SW, TACT SKQNAB (N)	a
					CX-SNR71 EZSM
FRONT	O S	0350	87-A90-164-080	SW, TACT SKQNAB (N)	a
FRONT	O S	0361	87-A92-359-010	SW, RTRY EC12E24604-30MM	a
FRONT	O S	0363	87-A92-273-110	SW, RTRY EC12E12204 30MM	a
FRONT	O S	0371	87-A92-273-110	SW, RTRY EC12E12204 30MM	a
HEAD-1	O CNA	0301	85-MA2-615-010	CONN ASSY, 3P PH	a
HP	X J	0201	87-A60-420-010	JACK, 3.5 ST (MSC)	a
HP	O R	0243	87-A01-001-050	RES, 220-1/2W J BLT2J	a
HP	O R	0244	87-A01-001-050	RES, 220-1/2W J BLT2J	a
HP	O R	0245	87-A01-001-050	RES, 220-1/2W J BLT2J	a
HP	O R	0246	87-A01-001-050	RES, 220-1/2W J BLT2J	a
HP	X R	0265	88-128-222-080	C-RES, 2.2K-1/8W J	a
HP	X R	0266	88-128-222-080	C-RES, 2.2K-1/8W J	a
HP	O WH	0201	87-A90-459-010	HLDR, WIRE 2.5-5P	a
MAIN	O C	0003	87-A12-317-080	C-CAP, U 0.1-50 Z F	a
MAIN	O C	0004	87-A12-317-080	C-CAP, U 0.1-50 Z F	a
MAIN	O C	0005	87-A12-317-080	C-CAP, U 0.1-50 Z F	a
MAIN	O C	0006	87-A12-317-080	C-CAP, U 0.1-50 Z F	a
MAIN	O C	0009	87-010-759-080	C-CAP, U 0.1-25 Z F CM/CB	a
MAIN	O C	0010	87-010-759-080	C-CAP, U 0.1-25 Z F CM/CB	a
MAIN	O C	0011	87-010-759-080	C-CAP, U 0.1-25 Z F CM/CB	a
					CX-SNR71 EZSM
MAIN	O C	0012	87-010-759-080	C-CAP, U 0.1-25 Z F CM/CB	a
MAIN	O C	0013	87-012-282-080	C-CAP, U 4700P-50 K B GRM	a
MAIN	O C	0014	87-A12-071-080	CAP, E 47-25 SMG	a
MAIN	O C	0016	87-012-282-080	C-CAP, U 4700P-50 K B GRM	a
MAIN	O C	0019	87-A12-831-000	CAP, E 2200-56 M 85 GS	a
MAIN	O C	0020	87-A12-831-000	CAP, E 2200-56 M 85 GS	a
MAIN	O C	0021	87-A12-826-000	CAP, E 3300-35 M 85 GS	a
MAIN	O C	0022	87-A12-826-000	CAP, E 3300-35 M 85 GS	a
MAIN	O C	0031	87-A12-062-080	CAP, E 100-10 SMG	a
MAIN	O C	0034	87-A12-071-080	CAP, E 47-25 SMG	a
MAIN	O C	0035	87-A12-090-080	CAP, E 4.7-50 SMG	a
MAIN	O C	0036	87-A12-071-080	CAP, E 47-25 SMG	a
MAIN	O C	0060	87-A12-089-080	CAP, E 3.3-50 SMG	a
MAIN	O C	0061	87-A12-071-080	CAP, E 47-25 SMG	a
MAIN	O C	0083	87-A12-068-080	CAP, E 470-16 SMG	a
MAIN	O C	0097	87-010-759-080	C-CAP, U 0.1-25 Z F CM/CB	a
MAIN	O C	0101	87-012-280-080	C-CAP, U 3300P-50 K B GRM	a
MAIN	O C	0102	87-012-280-080	C-CAP, U 3300P-50 K B GRM	a
MAIN	O C	0103	87-A12-084-080	CAP, E 0.22-50 SMG	a
MAIN	O C	0104	87-A12-084-080	CAP, E 0.22-50 SMG	a
					CX-SNR71 EZSM
MAIN	O C	0105	87-012-280-080	C-CAP, U 3300P-50 K B GRM	a
MAIN	O C	0106	87-012-280-080	C-CAP, U 3300P-50 K B GRM	a
MAIN	O C	0107	87-A12-091-080	CAP, E 10-50 SMG	a
MAIN	O C	0108	87-A12-091-080	CAP, E 10-50 SMG	a
MAIN	O C	0111	87-A12-077-080	CAP, E 33-35 SMG	a
MAIN	O C	0112	87-A12-077-080	CAP, E 33-35 SMG	a
MAIN	O C	0113	87-A10-596-080	C-CAP, S 100P-100 J CH	a
MAIN	O C	0114	87-A10-596-080	C-CAP, S 100P-100 J CH	a
MAIN	O C	0117	87-A12-317-080	C-CAP, U 0.1-50 Z F	a
MAIN	O C	0118	87-A12-317-080	C-CAP, U 0.1-50 Z F	a
MAIN	O C	0119	87-012-286-080	C-CAP, U 0.01-25 K B GRM	a
MAIN	O C	0120	87-012-286-080	C-CAP, U 0.01-25 K B GRM	a
MAIN	O C	0121	87-A12-087-080	CAP, E 1-50 SMG	a
MAIN	O C	0122	87-A12-087-080	CAP, E 1-50 SMG	a
MAIN	O C	0123	87-010-177-080	C-CAP, S 820P-50 J SL C2012	a
MAIN	O C	0124	87-010-177-080	C-CAP, S 820P-50 J SL C2012	a
MAIN	O C	0125	87-A10-596-080	C-CAP, S 100P-100 J CH	a
MAIN	O C	0126	87-A10-596-080	C-CAP, S 100P-100 J CH	a
MAIN	O C	0133	87-012-282-080	C-CAP, U 4700P-50 K B GRM	a
MAIN	O C	0140	87-012-278-080	C-CAP, U 2200P-50 K B GRM	a

ELECTRICAL PARTS LIST - 6/16

! = Δ SAFTY PARTS
 C = Components marked

All components used on this model at the production line are shown in this service manual.
 However, please note that not all components will be available as spare parts for after-sales service.
 Components marked S and O are designated as spare parts for service and will be stocked at the spare parts centers.
 Components marked X and R are not designated as spare parts for after sales service, and will not be stocked at the spare parts centers.

UNIT-NAME	! C	REF-NO	PARTS-NO	PARTS-NAME	SUFFIX&MODEL
					CX-SNR71 EZSM
MAIN	O C	0186	87-010-759-080	C-CAP,U 0.1-25 Z F CM/CB	a
MAIN	O C	0187	87-A12-890-080	CAP,E 10-63 VR	a
MAIN	O C	0188	87-A12-890-080	CAP,E 10-63 VR	a
MAIN	O C	0193	87-012-273-080	C-CAP,U 820P-50 K B GRM	a
MAIN	O C	0194	87-012-273-080	C-CAP,U 820P-50 K B GRM	a
MAIN	O C	0225	87-A12-317-080	C-CAP,U 0.1-50 Z F	a
MAIN	O C	0226	87-A12-317-080	C-CAP,U 0.1-50 Z F	a
MAIN	O C	0227	87-A12-317-080	C-CAP,U 0.1-50 Z F	a
MAIN	O C	0228	87-A12-317-080	C-CAP,U 0.1-50 Z F	a
MAIN	O C	0229	87-010-191-080	C-CAP,S 0.015-50 Z F GRM	a
MAIN	O C	0230	87-010-191-080	C-CAP,S 0.015-50 Z F GRM	a
MAIN	O C	0301	87-012-275-080	C-CAP,U 1200P-50 K B GRM	a
MAIN	O C	0302	87-012-275-080	C-CAP,U 1200P-50 K B GRM	a
MAIN	O C	0303	87-012-275-080	C-CAP,U 1200P-50 K B GRM	a
MAIN	O C	0304	87-012-275-080	C-CAP,U 1200P-50 K B GRM	a
MAIN	O C	0305	87-012-270-080	C-CAP,U 470P-50 K B GRM	a
MAIN	O C	0306	87-012-274-080	C-CAP,U 1000P-50 K B GRM	a
MAIN	O C	0363	87-010-831-080	C-CAP,U 0.1-16 Z F GRM	a
MAIN	O C	0451	87-010-759-080	C-CAP,U 0.1-25 Z F CM/CB	a
MAIN	O C	0452	87-A12-092-080	CAP,E 22-50 SMG	a
					CX-SNR71 EZSM
MAIN	O C	0453	87-012-279-080	C-CAP,U 2700P-50 K B GRM	a
MAIN	O C	0454	87-012-279-080	C-CAP,U 2700P-50 K B GRM	a
MAIN	O C	0455	87-012-279-080	C-CAP,U 2700P-50 K B GRM	a
MAIN	O C	0456	87-012-286-080	C-CAP,U 0.01-25 K B GRM	a
MAIN	O C	0457	87-A12-361-080	CAP,M 5600P-100 J CP	a
MAIN	O C	0458	87-012-278-080	C-CAP,U 2200P-50 K B GRM	a
MAIN	O C	0459	87-012-271-080	C-CAP,U 560P-50 K B GRM	a
MAIN	O C	0460	87-010-759-080	C-CAP,U 0.1-25 Z F CM/CB	a
MAIN	O C	0461	87-012-158-080	C-CAP,S 390P-50 J CH GRM	a
MAIN	O C	0462	87-012-158-080	C-CAP,S 390P-50 J CH GRM	a
MAIN	O C	0463	87-010-831-080	C-CAP,U 0.1-16 Z F GRM	a
MAIN	O C	0464	87-012-278-080	C-CAP,U 2200P-50 K B GRM	a
MAIN	O C	0465	87-012-286-080	C-CAP,U 0.01-25 K B GRM	a
MAIN	O C	0601	87-012-188-080	C-CAP,U 47P-50 J CH GRM	a
MAIN	O C	0602	87-012-188-080	C-CAP,U 47P-50 J CH GRM	a
MAIN	O C	0603	87-A12-062-080	CAP,E 100-10 SMG	a
MAIN	O C	0604	87-A12-062-080	CAP,E 100-10 SMG	a
MAIN	X C	0605	88-700-740-810	CAP,M 6800P-50 J AMZV	a
MAIN	X C	0606	88-700-740-810	CAP,M 6800P-50 J AMZV	a
MAIN	O C	0607	87-012-270-080	C-CAP,U 470P-50 K B GRM	a
					CX-SNR71 EZSM
MAIN	O C	0608	87-012-270-080	C-CAP,U 470P-50 K B GRM	a
MAIN	O C	0609	87-A12-087-080	CAP,E 1-50 SMG	a
MAIN	O C	0610	87-A12-087-080	CAP,E 1-50 SMG	a
MAIN	O C	0611	87-012-273-080	C-CAP,U 820P-50 K B GRM	a
MAIN	O C	0612	87-012-273-080	C-CAP,U 820P-50 K B GRM	a
MAIN	X C	0613	88-700-610-810	CAP,M 1000P-50 J LDS	a
MAIN	X C	0614	88-700-610-810	CAP,M 1000P-50 J LDS	a
MAIN	X C	0615	88-700-610-810	CAP,M 1000P-50 J LDS	a
MAIN	X C	0616	88-700-610-810	CAP,M 1000P-50 J LDS	a
MAIN	O C	0617	87-A10-295-080	CAP,M 0.01-50 J	a
MAIN	O C	0618	87-A10-295-080	CAP,M 0.01-50 J	a
MAIN	O C	0619	87-A10-295-080	CAP,M 0.01-50 J	a
MAIN	O C	0620	87-A10-295-080	CAP,M 0.01-50 J	a
MAIN	O C	0621	87-A12-085-080	CAP,E 0.33-50 SMG	a
MAIN	O C	0622	87-A12-085-080	CAP,E 0.33-50 SMG	a
MAIN	O C	0623	87-A12-085-080	CAP,E 0.33-50 SMG	a
MAIN	O C	0624	87-A12-085-080	CAP,E 0.33-50 SMG	a
MAIN	O C	0631	87-012-195-080	C-CAP,U 100P-50 J CH GRM	a
MAIN	O C	0632	87-012-195-080	C-CAP,U 100P-50 J CH GRM	a
MAIN	O C	0633	87-012-284-080	C-CAP,U 6800P-50 K B GRM	a
					CX-SNR71 EZSM
MAIN	O C	0634	87-012-284-080	C-CAP,U 6800P-50 K B GRM	a
MAIN	O C	0635	87-012-286-080	C-CAP,U 0.01-25 K B GRM	a
MAIN	O C	0636	87-012-286-080	C-CAP,U 0.01-25 K B GRM	a
MAIN	O C	0637	87-012-278-080	C-CAP,U 2200P-50 K B GRM	a
MAIN	O C	0638	87-012-278-080	C-CAP,U 2200P-50 K B GRM	a
MAIN	O C	0641	87-A12-087-080	CAP,E 1-50 SMG	a
MAIN	O C	0642	87-A12-087-080	CAP,E 1-50 SMG	a
MAIN	O C	0651	87-A12-063-080	CAP,E 220-10 SMG	a
MAIN	O C	0652	87-A12-071-080	CAP,E 47-25 SMG	a
MAIN	O C	0655	87-A12-090-080	CAP,E 4.7-50 SMG	a
MAIN	O C	0656	87-010-784-080	C-CAP,U 0.012-25 K B GRM	a
MAIN	O C	0663	87-010-831-080	C-CAP,U 0.1-16 Z F GRM	a
MAIN	O C	0664	87-010-831-080	C-CAP,U 0.1-16 Z F GRM	a
MAIN	O C	0665	87-A10-504-080	C-CAP,U 0.047-16 K B	a
MAIN	O C	0666	87-A10-504-080	C-CAP,U 0.047-16 K B	a
MAIN	O C	0677	87-015-819-080	C-CAP, 0.01-50 K B C3216	a
MAIN	O C	0771	87-A12-062-080	CAP,E 100-10 SMG	a
MAIN	O C	0772	87-012-286-080	C-CAP,U 0.01-25 K B GRM	a
MAIN	X C	0781	88-108-000-080	C-JUMPER,U	a
MAIN	O C	0782	87-012-286-080	C-CAP,U 0.01-25 K B GRM	a

ELECTRICAL PARTS LIST - 7/16

! = Δ SAFTY PARTS
 C = Components marked

All components used on this model at the production line are shown in this service manual.
 However, please note that not all components will be available as spare parts for after-sales service.
 Components marked S and O are designated as spare parts for service and will be stocked at the spare parts centers.
 Components marked X and R are not designated as spare parts for after sales service, and will not be stocked at the spare parts centers.

UNIT-NAME	!	C	REF-NO	PARTS-NO	PARTS-NAME	SUFFIX&MODEL
						CX-SNR71 EZSM
MAIN		O	C	0783 87-012-286-080	C-CAP,U 0.01-25 K B GRM	a
MAIN		O	C	0784 87-012-286-080	C-CAP,U 0.01-25 K B GRM	a
MAIN		O	C	0785 87-012-286-080	C-CAP,U 0.01-25 K B GRM	a
MAIN		O	C	0786 87-012-286-080	C-CAP,U 0.01-25 K B GRM	a
MAIN		O	C	0788 87-012-167-080	C-CAP,U 5P-50 C CH GRM	a
MAIN		O	C	0789 87-016-118-080	C-CAP,U 0.022-25 J B GRM	a
MAIN		O	C	0790 87-016-118-080	C-CAP,U 0.022-25 J B GRM	a
MAIN		O	C	0791 87-010-759-080	C-CAP,U 0.1-25 Z F CM/CB	a
MAIN		O	C	0792 87-012-286-080	C-CAP,U 0.01-25 K B GRM	a
MAIN		O	C	0793 87-A12-090-080	CAP,E 4.7-50 SMG	a
MAIN		O	C	0795 87-012-286-080	C-CAP,U 0.01-25 K B GRM	a
MAIN		O	C	0796 87-012-286-080	C-CAP,U 0.01-25 K B GRM	a
MAIN		O	C	0797 87-A12-091-080	CAP,E 10-50 SMG	a
MAIN		O	C	0798 87-012-286-080	C-CAP,U 0.01-25 K B GRM	a
MAIN		O	C	0799 87-A12-065-080	CAP,E 33-16 SMG	a
MAIN		O	C	0800 87-010-829-080	C-CAP,U 0.047-16 Z F CM/CB	a
MAIN		O	C	0801 87-A12-089-080	CAP,E 3.3-50 SMG	a
MAIN		O	C	0802 87-010-829-080	C-CAP,U 0.047-16 Z F CM/CB	a
MAIN		O	C	0803 87-010-787-080	C-CAP,U 0.022-25 K B GRM	a
MAIN		O	C	0804 87-A12-062-080	CAP,E 100-10 SMG	a
						CX-SNR71 EZSM
MAIN		O	C	0807 87-A12-086-080	CAP,E 0.47-50 SMG	a
MAIN		O	C	0808 87-A12-087-080	CAP,E 1-50 SMG	a
MAIN		O	C	0809 87-A12-087-080	CAP,E 1-50 SMG	a
MAIN		O	C	0810 87-010-759-080	C-CAP,U 0.1-25 Z F CM/CB	a
MAIN		O	C	0814 87-012-286-080	C-CAP,U 0.01-25 K B GRM	a
MAIN		O	C	0815 87-A12-086-080	CAP,E 0.47-50 SMG	a
MAIN		O	C	0816 87-A12-086-080	CAP,E 0.47-50 SMG	a
MAIN		O	C	0818 87-012-276-080	C-CAP,U 1500P-50 K B GRM	a
MAIN		O	C	0821 87-A12-091-080	CAP,E 10-50 SMG	a
MAIN		X	C	0822 88-108-000-080	C-JUMPER,U	a
MAIN		O	C	0823 87-012-349-080	C-CAP,S 1000P-50 J CH GRM	a
MAIN		O	C	0824 87-A12-090-080	CAP,E 4.7-50 SMG	a
MAIN		O	C	0825 87-010-596-080	C-CAP,S 0.047-16 K R C2012	a
MAIN		O	C	0831 87-A12-092-080	CAP,E 22-50 SMG	a
MAIN		O	C	0842 87-012-286-080	C-CAP,U 0.01-25 K B GRM	a
MAIN		X	C	0843 88-108-000-080	C-JUMPER,U	a
MAIN		O	C	0844 87-012-286-080	C-CAP,U 0.01-25 K B GRM	a
MAIN		X	C	0845 88-108-000-080	C-JUMPER,U	a
MAIN		X	C	0846 88-108-000-080	C-JUMPER,U	a
MAIN		X	C	0847 88-108-000-080	C-JUMPER,U	a
						CX-SNR71 EZSM
MAIN		X	C	0848 88-108-000-080	C-JUMPER,U	a
MAIN		X	C	0849 88-108-000-080	C-JUMPER,U	a
MAIN		O	C	0850 87-A12-071-080	CAP,E 47-25 SMG	a
MAIN		O	C	0851 87-012-286-080	C-CAP,U 0.01-25 K B GRM	a
MAIN		O	C	0852 87-012-286-080	C-CAP,U 0.01-25 K B GRM	a
MAIN		O	C	0853 87-012-286-080	C-CAP,U 0.01-25 K B GRM	a
MAIN		O	C	0859 87-010-759-080	C-CAP,U 0.1-25 Z F CM/CB	a
MAIN		O	C	0860 87-012-286-080	C-CAP,U 0.01-25 K B GRM	a
MAIN		O	C	0869 87-012-286-080	C-CAP,U 0.01-25 K B GRM	a
MAIN		O	C	0870 87-012-274-080	C-CAP,U 1000P-50 K B GRM	a
MAIN		O	C	0871 87-012-199-080	C-CAP,U 220P-50 J CH GRM	a
MAIN		O	C	0872 87-012-199-080	C-CAP,U 220P-50 J CH GRM	a
MAIN		O	C	0873 87-A10-039-080	C-CAP,U 470P-50 J CH	a
MAIN		O	C	0874 87-A12-091-080	CAP,E 10-50 SMG	a
MAIN		O	C	0875 87-010-759-080	C-CAP,U 0.1-25 Z F CM/CB	a
MAIN		O	C	0876 87-A12-091-080	CAP,E 10-50 SMG	a
MAIN		O	C	0877 87-012-286-080	C-CAP,U 0.01-25 K B GRM	a
MAIN		O	C	0878 87-012-184-080	C-CAP,U 33P-50 J CH GRM	a
MAIN		O	C	0879 87-012-180-080	C-CAP,U 22P-50 J CH GRM	a
MAIN		O	C	0901 87-012-162-080	C-CAP,U 1P-50 C CH GRM	a
						CX-SNR71 EZSM
MAIN		O	C	0902 87-012-165-080	C-CAP,U 3P-50 C CH GRM	a
MAIN		O	C	0903 87-012-164-080	C-CAP,U 2P-50 C CH GRM	a
MAIN		O	C	0904 86-ZA1-615-080	C-CAP,U 680P-25 J CH	a
MAIN		O	C	0905 87-012-162-080	C-CAP,U 1P-50 C CH GRM	a
MAIN		O	C	0906 87-012-172-080	C-CAP,U 10P-50 D CH GRM	a
MAIN		O	C	0907 87-012-166-080	C-CAP,U 4P-50 C CH GRM	a
MAIN		O	C	0908 87-012-165-080	C-CAP,U 3P-50 C CH GRM	a
MAIN		O	C	0909 86-ZA1-615-080	C-CAP,U 680P-25 J CH	a
MAIN		O	C	0910 87-012-164-080	C-CAP,U 2P-50 C CH GRM	a
MAIN		O	C	0911 87-012-166-080	C-CAP,U 4P-50 C CH GRM	a
MAIN		O	C	0912 87-012-195-080	C-CAP,U 100P-50 J CH GRM	a
MAIN		O	C	0913 86-ZA1-616-080	C-CAP,U 0.01-50 K B (MUR)	a
MAIN		O	C	0914 86-ZA1-616-080	C-CAP,U 0.01-50 K B (MUR)	a
MAIN		O	C	0915 86-ZA1-616-080	C-CAP,U 0.01-50 K B (MUR)	a
MAIN		O	C	0916 86-ZA1-616-080	C-CAP,U 0.01-50 K B (MUR)	a
MAIN		O	C	0917 87-012-178-080	C-CAP,U 18P-50 J CH GRM	a
MAIN		O	C	0918 87-012-172-080	C-CAP,U 10P-50 D CH GRM	a
MAIN		O	C	0919 87-012-184-080	C-CAP,U 33P-50 J CH GRM	a
MAIN		O	C	0920 87-012-184-080	C-CAP,U 33P-50 J CH GRM	a
MAIN		O	C	0921 87-012-180-080	C-CAP,U 22P-50 J CH GRM	a

ELECTRICAL PARTS LIST - 8/16

! = Δ SAFTY PARTS
 C = Components marked

All components used on this model at the production line are shown in this service manual.
 However, please note that not all components will be available as spare parts for after-sales service.
 Components marked S and O are designated as spare parts for service and will be stocked at the spare parts centers.
 Components marked X and R are not designated as spare parts for after sales service, and will not be stocked at the spare parts centers.

UNIT-NAME	! C	REF-NO	PARTS-NO	PARTS-NAME	SUFFIX&MODEL
					CX-SNR71 EZSM
MAIN	O C	0922	87-012-174-080	C-CAP,U 12P-50 J CH GRM	a
MAIN	O C	0923	86-ZA1-616-080	C-CAP,U 0.01-50 K B (MUR)	a
MAIN	O C	0924	87-012-164-080	C-CAP,U 2P-50 C CH GRM	a
MAIN	O C	0925	87-012-164-080	C-CAP,U 2P-50 C CH GRM	a
MAIN	O C	0926	86-ZA1-616-080	C-CAP,U 0.01-50 K B (MUR)	a
MAIN	O C	0931	87-A12-319-080	C-CAP,U 0.1-25 K B	a
MAIN	O C	0940	87-012-286-080	C-CAP,U 0.01-25 K B GRM	a
MAIN	O C	0942	87-012-167-080	C-CAP,U 5P-50 C CH GRM	a
MAIN	O C	0947	87-012-286-080	C-CAP,U 0.01-25 K B GRM	a
MAIN	O C	0948	87-A10-039-080	C-CAP,U 470P-50 J CH	a
MAIN	O C	0952	87-012-286-080	C-CAP,U 0.01-25 K B GRM	a
MAIN	O C	0958	87-012-286-080	C-CAP,U 0.01-25 K B GRM	a
MAIN	O C	0959	87-010-759-080	C-CAP,U 0.1-25 Z F CM/CB	a
MAIN	O C	0960	87-010-759-080	C-CAP,U 0.1-25 Z F CM/CB	a
MAIN	O C	0962	87-A12-087-080	CAP,E 1-50 SMG	a
MAIN	O C	0963	87-A12-319-080	C-CAP,U 0.1-25 K B	a
MAIN	O C	0971	87-A12-067-080	CAP,E 330-16 SMG	a
MAIN	O C	0972	87-A12-090-080	CAP,E 4.7-50 SMG	a
MAIN	O C	0973	87-012-286-080	C-CAP,U 0.01-25 K B GRM	a
MAIN	O C	0974	87-012-286-080	C-CAP,U 0.01-25 K B GRM	a
					CX-SNR71 EZSM
MAIN	O C	0979	87-012-195-080	C-CAP,U 100P-50 J CH GRM	a
MAIN	O C	0981	87-A12-071-080	CAP,E 47-25 SMG	a
MAIN	O C	0982	87-010-759-080	C-CAP,U 0.1-25 Z F CM/CB	a
MAIN	O C	0983	87-012-286-080	C-CAP,U 0.01-25 K B GRM	a
MAIN	O C	0984	87-012-286-080	C-CAP,U 0.01-25 K B GRM	a
MAIN	O C	0985	87-012-195-080	C-CAP,U 100P-50 J CH GRM	a
MAIN	O C	0987	87-012-286-080	C-CAP,U 0.01-25 K B GRM	a
MAIN	O C	0989	87-012-286-080	C-CAP,U 0.01-25 K B GRM	a
MAIN	O C	0991	87-012-176-080	C-CAP,U 15P-50 J CH GRM	a
MAIN	O C	0992	87-012-176-080	C-CAP,U 15P-50 J CH GRM	a
MAIN	O C	0993	87-012-274-080	C-CAP,U 1000P-50 K B GRM	a
MAIN	O C	0995	87-012-274-080	C-CAP,U 1000P-50 K B GRM	a
MAIN	O C	0997	87-010-759-080	C-CAP,U 0.1-25 Z F CM/CB	a
MAIN	O C	0998	87-A12-071-080	CAP,E 47-25 SMG	a
MAIN	O C	0999	87-A11-155-080	CAP,TC U 0.01-16 Z F	a
MAIN	O CF	0831	87-008-423-010	FLTR,CF SFE10.7MS3G-A	a
MAIN	O CF	0832	82-785-747-010	CF,MS2GH-A	a
MAIN	X	CLP0301	87-A60-884-010	PIN,DIA1 COATING-SHS	a
MAIN	X	CLP0601	87-A60-884-010	PIN,DIA1 COATING-SHS	a
MAIN	O CN	0301	87-A60-620-010	CONN,3P V 2MM JMT	a
					CX-SNR71 EZSM
MAIN	O CN	0302	87-A60-625-010	CONN,8P V 2MM JMT	a
MAIN	O CN	0601	87-099-719-010	CONN,30P H BLK TYK-B(X)	a
MAIN	O CN	0602	87-A60-131-010	CONN,6P V FE	a
MAIN	O CNA	0302	86-ZM3-605-110	CONN ASSY,8P -RPB	a
MAIN	S D	0001	87-070-178-090	DIODE,1N5402-BD54	a
MAIN	S D	0002	87-070-178-090	DIODE,1N5402-BD54	a
MAIN	S D	0003	87-070-178-090	DIODE,1N5402-BD54	a
MAIN	S D	0004	87-070-178-090	DIODE,1N5402-BD54	a
MAIN	S D	0005	87-070-178-090	DIODE,1N5402-BD54	a
MAIN	S D	0006	87-070-178-090	DIODE,1N5402-BD54	a
MAIN	S D	0007	87-070-178-090	DIODE,1N5402-BD54	a
MAIN	S D	0008	87-070-178-090	DIODE,1N5402-BD54	a
MAIN	S D	0011	87-A40-270-080	C-DIODE,MC2838	a
MAIN	S D	0012	87-A40-291-080	DIODE,1N4148M (CPT)	a
MAIN	S D	0013	87-A40-764-080	ZENER,UZ10BSC	a
MAIN	S D	0029	87-A40-776-080	ZENER,UZ27BSD	a
MAIN	S D	0033	87-A40-291-080	DIODE,1N4148M (CPT)	a
MAIN	S D	0041	87-A40-270-080	C-DIODE,MC2838	a
MAIN	S D	0042	87-A40-269-080	C-DIODE,MC2836	a
MAIN	S D	0060	87-A40-291-080	DIODE,1N4148M (CPT)	a
					CX-SNR71 EZSM
MAIN	S D	0063	87-A40-270-080	C-DIODE,MC2838	a
MAIN	S D	0064	87-A40-269-080	C-DIODE,MC2836	a
MAIN	S D	0076	87-A40-269-080	C-DIODE,MC2836	a
MAIN	S D	0077	87-A40-270-080	C-DIODE,MC2838	a
MAIN	S D	0101	87-A40-269-080	C-DIODE,MC2836	a
MAIN	S D	0103	87-020-465-080	DIODE,1SS133	a
MAIN	S D	0104	87-020-465-080	DIODE,1SS133	a
MAIN	S D	0105	87-A40-269-080	C-DIODE,MC2836	a
MAIN	S D	0106	87-A40-269-080	C-DIODE,MC2836	a
MAIN	S D	0107	87-A40-270-080	C-DIODE,MC2838	a
MAIN	S D	0108	87-A40-270-080	C-DIODE,MC2838	a
MAIN	S D	0109	87-A40-488-080	DIODE,1SS244	a
MAIN	S D	0110	87-A40-488-080	DIODE,1SS244	a
MAIN	S D	0150	87-A40-270-080	C-DIODE,MC2838	a
MAIN	S D	0160	87-A40-270-080	C-DIODE,MC2838	a
MAIN	S D	0185	87-A40-370-090	DIODE,RK46-P20	a
MAIN	S D	0186	87-A40-370-090	DIODE,RK46-P20	a
MAIN	S D	0187	87-A40-747-080	ZENER,UZ5.1BSB	a
MAIN	S D	0188	87-A40-749-080	ZENER,UZ5.6BSB	a
MAIN	S D	0189	87-A40-270-080	C-DIODE,MC2838	a

ELECTRICAL PARTS LIST - 9/16

! = Δ SAFTY PARTS
 C = Components marked

All components used on this model at the production line are shown in this service manual.
 However, please note that not all components will be available as spare parts for after-sales service.
 Components marked S and O are designated as spare parts for service and will be stocked at the spare parts centers.
 Components marked X and R are not designated as spare parts for after sales service, and will not be stocked at the spare parts centers.

UNIT-NAME	! C	REF-NO	PARTS-NO	PARTS-NAME	SUFFIX&MODEL
					CX-SNR71 EZSM
MAIN	S D	0190	87-A40-269-080	C-DIODE,MC2836	a
MAIN	S D	0191	87-A40-764-080	ZENER,UZ10BSC	a
MAIN	S D	0192	87-A40-291-080	DIODE,1N4148M (CPT)	a
MAIN	S D	0193	87-A40-291-080	DIODE,1N4148M (CPT)	a
MAIN	X D	0194	88-100-000-010	PLATING-JW, 0.58 SN95	a
MAIN	S D	0280	87-A40-269-080	C-DIODE,MC2836	a
MAIN	S D	0281	87-A40-270-080	C-DIODE,MC2838	a
MAIN	S D	0301	87-A40-269-080	C-DIODE,MC2836	a
MAIN	S D	0661	87-A40-745-080	ZENER,UZ4.7BSA	a
MAIN	S D	0662	87-A40-745-080	ZENER,UZ4.7BSA	a
MAIN	S D	0801	87-A40-291-080	DIODE,1N4148M (CPT)	a
MAIN	S D	0803	87-A40-291-080	DIODE,1N4148M (CPT)	a
MAIN	O D	0901	87-A41-048-040	C-VARI-CAP,HVM16-03 TL	a
MAIN	O D	0902	87-A41-048-040	C-VARI-CAP,HVM16-03 TL	a
MAIN	O D	0903	87-A41-048-040	C-VARI-CAP,HVM16-03 TL	a
MAIN	S D	0942	87-A40-270-080	C-DIODE,MC2838	a
MAIN	S D	0944	87-A40-291-080	DIODE,1N4148M (CPT)	a
MAIN	O D	0951	87-A40-799-040	C-VARI-CAP,KV1610S	a
MAIN	S D	0991	87-017-149-080	ZENER,HZS6A2L	a
MAIN	S D	0992	87-A40-291-080	DIODE,1N4148M (CPT)	a
					CX-SNR71 EZSM
MAIN	S D	0994	87-A40-291-080	DIODE,1N4148M (CPT)	a
MAIN	X FB	0601	88-118-000-080	C-JUMPER,S	a
MAIN	X FB	0602	88-118-000-080	C-JUMPER,S	a
MAIN	X FB	0603	88-100-000-010	PLATING-JW, 0.58 SN95	a
MAIN	X FB	0604	88-118-000-080	C-JUMPER,S	a
MAIN	O FFC	0602	88-906-251-110	FF-CABLE,6P 1.25	a
MAIN	S IC	0001	87-A21-364-010	IC,NJM7806FA(A)	a
MAIN	S IC	0601	87-A22-235-040	C-IC,M61518FP	a
MAIN	S IC	0801	87-A22-060-010	IC,LA1845N-A	a
MAIN	S IC	0861	87-A20-440-040	C-IC,BU1920FS	a
MAIN	S IC	0991	87-A21-928-010	IC,LC72131D-N	a
MAIN	O J	0203	87-A60-238-010	TERMINAL,SP 4P (MSC)	a
MAIN	O J	0602	87-A60-881-010	JACK,PIN 2P MSP 242V05 PBSN	a
MAIN	X J	0832	87-A60-403-010	TERMINAL,ANT PAL 2P HSP-312V05	a
MAIN	X JR	0808	88-108-474-080	C-RES,U 470K-1/16W J	a
MAIN	O L	0201	87-A50-610-010	COIL,1UH K(MDEC)	a
MAIN	O L	0202	87-A50-610-010	COIL,1UH K(MDEC)	a
MAIN	O L	0451	87-007-342-010	COIL,OSC 85KHZ BIAS	a
MAIN	O L	0801	87-A50-608-010	COIL,FM DET-N(TOK)	a
MAIN	O L	0802	87-A91-551-010	FLTR,PCFJZH-450 L(TOK)	a
					CX-SNR71 EZSM
MAIN	O L	0811	87-005-847-080	COIL,2.2UH K CECS	a
MAIN	O L	0832	87-005-847-080	COIL,2.2UH K CECS	a
MAIN	O L	0861	87-005-847-080	COIL,2.2UH K CECS	a
MAIN	O L	0901	86-ZA1-612-010	COIL,FM ANT/RF-1-Z	a
MAIN	O L	0902	86-ZA1-613-010	COIL,FM ANT/RF-2-Z	a
MAIN	O L	0903	87-005-847-080	COIL,2.2UH K CECS	a
MAIN	O L	0904	86-ZA1-612-010	COIL,FM ANT/RF-1-Z	a
MAIN	O L	0905	86-ZA1-613-010	COIL,FM ANT/RF-2-Z	a
MAIN	O L	0906	87-005-847-080	COIL,2.2UH K CECS	a
MAIN	O L	0907	86-ZA1-614-010	COIL,FM OSC-Z	a
MAIN	O L	0908	88-ZA1-624-010	COIL,FM IFT 7-6.2 (COILS)	a
MAIN	O L	0941	87-A50-020-010	COIL,ANT LW (COI) 252KHZ	a
MAIN	O L	0942	87-A50-019-010	COIL,OSC LW (COI) 856KHZ	a
MAIN	O L	0952	87-A50-754-010	COIL,MW ANT(3BLW)	a
MAIN	O L	0953	87-A50-755-010	COIL,MW OSC(3BLW)	a
MAIN	S Q	0001	87-A30-494-080	TR,2SA1980G	a
MAIN	S Q	0002	87-A30-494-080	TR,2SA1980G	a
MAIN	S Q	0003	87-A30-076-080	C-TR,2SC3052F	a
MAIN	S Q	0009	87-A30-494-080	TR,2SA1980G	a
MAIN	S Q	0010	87-A30-076-080	C-TR,2SC3052F	a
					CX-SNR71 EZSM
MAIN	S Q	0011	87-A30-614-010	TR,2SB1548	a
MAIN	S Q	0012	87-A30-630-080	TR,2SC5343GL	a
MAIN	S Q	0013	87-A30-076-080	C-TR,2SC3052F	a
MAIN	S Q	0014	87-A30-075-080	C-TR,2SA1235F	a
MAIN	S Q	0060	87-A30-076-080	C-TR,2SC3052F	a
MAIN	S Q	0061	87-A30-075-080	C-TR,2SA1235F	a
MAIN	S Q	0062	87-A30-076-080	C-TR,2SC3052F	a
MAIN	S Q	0063	87-A30-075-080	C-TR,2SA1235F	a
MAIN	S Q	0064	87-A30-076-080	C-TR,2SC3052F	a
MAIN	S Q	0101	87-A30-257-080	C-TR,2SD1306E	a
MAIN	S Q	0102	87-A30-257-080	C-TR,2SD1306E	a
MAIN	S Q	0103	87-A30-669-040	C-TR,SBT5401	a
MAIN	S Q	0104	87-A30-669-040	C-TR,SBT5401	a
MAIN	S Q	0105	87-A30-669-040	C-TR,SBT5401	a
MAIN	S Q	0106	87-A30-669-040	C-TR,SBT5401	a
MAIN	S Q	0107	87-A30-076-080	C-TR,2SC3052F	a
MAIN	S Q	0108	87-A30-076-080	C-TR,2SC3052F	a
MAIN	S Q	0109	87-A30-076-080	C-TR,2SC3052F	a
MAIN	S Q	0110	87-A30-076-080	C-TR,2SC3052F	a
MAIN	S Q	0111	87-A30-672-080	TR,2N5551C	a

ELECTRICAL PARTS LIST - 10/16

! = SAFETY PARTS
 C = Components marked

All components used on this model at the production line are shown in this service manual.
 However, please note that not all components will be available as spare parts for after-sales service.
 Components marked S and O are designated as spare parts for service and will be stocked at the spare parts centers.
 Components marked X and R are not designated as spare parts for after sales service, and will not be stocked at the spare parts centers.

UNIT-NAME	! C	REF-NO	PARTS-NO	PARTS-NAME	SUFFIX&MODEL
					CX-SNR71 EZSM
MAIN	S Q	0112	87-A30-672-080	TR, 2N5551C	a
MAIN	S Q	0113	87-A30-076-080	C-TR, 2SC3052F	a
MAIN	S Q	0114	87-A30-076-080	C-TR, 2SC3052F	a
MAIN	S Q	0115	87-A30-670-040	C-TR, SBT5551	a
MAIN	S Q	0116	87-A30-670-040	C-TR, SBT5551	a
MAIN	S Q	0117	87-A30-528-010	TR, 2SB1686	a
MAIN	S Q	0118	87-A30-528-010	TR, 2SB1686	a
MAIN	S Q	0119	87-A30-529-010	TR, 2SD2642	a
MAIN	S Q	0120	87-A30-529-010	TR, 2SD2642	a
MAIN	S Q	0121	87-A30-672-080	TR, 2N5551C	a
MAIN	S Q	0122	87-A30-672-080	TR, 2N5551C	a
MAIN	S Q	0123	87-A30-669-040	C-TR, SBT5401	a
MAIN	S Q	0124	87-A30-669-040	C-TR, SBT5401	a
MAIN	S Q	0126	87-A30-669-040	C-TR, SBT5401	a
MAIN	S Q	0127	87-A30-076-080	C-TR, 2SC3052F	a
MAIN	S Q	0128	87-A30-076-080	C-TR, 2SC3052F	a
MAIN	S Q	0130	87-A30-670-040	C-TR, SBT5551	a
MAIN	S Q	0183	87-A30-186-010	FET, 2SK3053	a
MAIN	S Q	0184	87-A30-186-010	FET, 2SK3053	a
MAIN	S Q	0185	87-A30-076-080	C-TR, 2SC3052F	a
					CX-SNR71 EZSM
MAIN	S Q	0186	87-A30-075-080	C-TR, 2SA1235F	a
MAIN	S Q	0187	87-A30-075-080	C-TR, 2SA1235F	a
MAIN	S Q	0235	87-A30-075-080	C-TR, 2SA1235F	a
MAIN	S Q	0280	87-A30-538-040	C-TR, SRA2202S	a
MAIN	S Q	0281	87-A30-669-040	C-TR, SBT5401	a
MAIN	S Q	0301	87-A30-091-080	FET, 2SJ460	a
MAIN	S Q	0302	87-A30-091-080	FET, 2SJ460	a
MAIN	S Q	0303	87-A30-090-080	FET, 2SK2541	a
MAIN	S Q	0304	87-A30-090-080	FET, 2SK2541	a
MAIN	S Q	0305	87-A30-091-080	FET, 2SJ460	a
MAIN	S Q	0306	87-A30-091-080	FET, 2SJ460	a
MAIN	S Q	0307	87-A30-090-080	FET, 2SK2541	a
MAIN	S Q	0308	87-A30-090-080	FET, 2SK2541	a
MAIN	S Q	0309	87-A30-090-080	FET, 2SK2541	a
MAIN	S Q	0451	87-A30-630-080	TR, 2SC5343GL	a
MAIN	S Q	0452	87-A30-076-080	C-TR, 2SC3052F	a
MAIN	S Q	0453	89-333-317-880	TR, 2SC3331 (T/U)	a
MAIN	S Q	0454	89-333-317-880	TR, 2SC3331 (T/U)	a
MAIN	S Q	0455	87-A30-119-040	C-TR, 2SC3906K R	a
MAIN	S Q	0456	87-A30-076-080	C-TR, 2SC3052F	a
					CX-SNR71 EZSM
MAIN	S Q	0601	87-A30-538-040	C-TR, SRA2202S	a
MAIN	S Q	0651	87-A30-087-080	C-FET, 2SK2158	a
MAIN	S Q	0652	87-A30-087-080	C-FET, 2SK2158	a
MAIN	S Q	0653	87-A30-076-080	C-TR, 2SC3052F	a
MAIN	S Q	0835	87-A30-521-080	C-TR, 2SC5345SF/S(O)	a
MAIN	S Q	0836	87-A30-677-040	C-TR, SRA2207S	a
MAIN	S Q	0861	87-A30-076-080	C-TR, 2SC3052F	a
MAIN	S Q	0863	87-A30-076-080	C-TR, 2SC3052F	a
MAIN	S Q	0901	89-503-602-080	C-FET, 2SK360E	a
MAIN	S Q	0902	87-A30-664-080	C-TR, 2SC2620B	a
MAIN	S Q	0903	87-A30-664-080	C-TR, 2SC2620B	a
MAIN	S Q	0904	87-A30-664-080	C-TR, 2SC2620B	a
MAIN	S Q	0905	87-A30-664-080	C-TR, 2SC2620B	a
MAIN	S Q	0948	87-A30-675-040	C-TR, 2SD1306NE07TL	a
MAIN	S Q	0951	87-A30-484-040	C-TR, KRA102S	a
MAIN	S Q	0952	87-A30-675-040	C-TR, 2SD1306NE07TL	a
MAIN	S Q	0953	89-503-602-080	C-FET, 2SK360E	a
MAIN	S Q	0981	87-A30-494-080	TR, 2SA1980G	a
MAIN	S Q	0982	87-A30-076-080	C-TR, 2SC3052F	a
MAIN	S Q	0983	87-A30-076-080	C-TR, 2SC3052F	a
					CX-SNR71 EZSM
MAIN	X R	0001	88-100-000-010	PLATING-JW, 0.58 SN95	a
MAIN	X R	0005	88-100-000-010	PLATING-JW, 0.58 SN95	a
MAIN	X R	0009	88-108-273-080	C-RES, U 27K-1/16W J	a
MAIN	X R	0010	88-108-273-080	C-RES, U 27K-1/16W J	a
MAIN	X R	0011	88-118-472-080	C-RES, S 4.7K-1/10W J	a
MAIN	X R	0012	88-118-472-080	C-RES, S 4.7K-1/10W J	a
MAIN	X R	0013	88-108-472-080	C-RES, U 4.7K-1/16W J	a
MAIN	X R	0014	88-118-100-080	C-RES, S 10-1/10W J	a
MAIN	X R	0015	88-108-104-080	C-RES, U 100K-1/16W J	a
MAIN	O R	0024	88-108-103-080	C-RES, U 10K-1/16W J	a
MAIN	X R	0026	88-118-472-080	C-RES, S 4.7K-1/10W J	a
MAIN	X R	0027	88-108-000-080	C-JUMPER, U	a
MAIN	X R	0028	88-108-221-080	C-RES, U 220-1/16W J	a
MAIN	O R	0029	88-108-473-080	C-RES, U 47K-1/16W J	a
MAIN	X R	0030	88-129-000-080	C-JUMPER, 3216	a
MAIN	X R	0031	88-108-154-080	C-RES, U 150K-1/16W J	a
MAIN	X R	0032	88-118-472-080	C-RES, S 4.7K-1/10W J	a
MAIN	O R	0033	88-108-103-080	C-RES, U 10K-1/16W J	a
MAIN	O R	0035	88-108-123-080	C-RES, U 12K-1/16W J	a
MAIN	X R	0037	88-118-102-080	C-RES, S 1K-1/10W J	a

ELECTRICAL PARTS LIST - 11/16

! = Δ SAFTY PARTS
 C = Components marked

All components used on this model at the production line are shown in this service manual.
 However, please note that not all components will be available as spare parts for after-sales service.
 Components marked S and O are designated as spare parts for service and will be stocked at the spare parts centers.
 Components marked X and R are not designated as spare parts for after sales service, and will not be stocked at the spare parts centers.

UNIT-NAME	! C	REF-NO	PARTS-NO	PARTS-NAME	SUFFIX&MODEL
					CX-SNR71 EZSM
MAIN	X R	0038	88-118-102-080	C-RES,S 1K-1/10W J	a
MAIN	X R	0041	88-100-000-010	PLATING-JW, 0.58 SN95	a
MAIN	X R	0042	88-129-000-080	C-JUMPER, 3216	a
MAIN	X R	0043	88-129-000-080	C-JUMPER, 3216	a
MAIN	X R	0044	88-128-271-080	C-RES, 270-1/8W J	a
MAIN	X R	0045	88-128-331-080	C-RES, 330-1/8W J	a
MAIN	X R	0046	88-121-271-080	RES,270-1/8W J	a
MAIN	X R	0047	88-128-331-080	C-RES, 330-1/8W J	a
MAIN	X R	0048	88-128-221-080	C-RES, 220-1/8W J	a
MAIN	X R	0049	88-121-221-080	RES,220-1/8W J	a
MAIN	O R	0050	88-108-223-080	C-RES,U 22K-1/16W J	a
MAIN	O R	0051	88-108-102-080	C-RES,U 1K-1/16W J	a
MAIN	O R	0052	88-108-102-080	C-RES,U 1K-1/16W J	a
MAIN	X R	0053	88-108-683-080	C-RES,U 68K-1/16W J	a
MAIN	O R	0054	88-108-562-080	C-RES,U 5.6K-1/16W J	a
MAIN	X R	0055	88-108-222-080	C-RES,U 2.2K-1/16W J	a
MAIN	X R	0056	88-118-680-080	C-RES,S 68-1/10W J	a
MAIN	X R	0057	88-108-472-080	C-RES,U 4.7K-1/16W J	a
MAIN	O R	0058	88-108-103-080	C-RES,U 10K-1/16W J	a
MAIN	X R	0059	88-108-221-080	C-RES,U 220-1/16W J	a
					CX-SNR71 EZSM
MAIN	X R	0060	88-108-471-080	C-RES,U 470-1/16W J	a
MAIN	O R	0061	88-108-103-080	C-RES,U 10K-1/16W J	a
MAIN	O R	0062	88-108-223-080	C-RES,U 22K-1/16W J	a
MAIN	O R	0063	88-108-223-080	C-RES,U 22K-1/16W J	a
MAIN	O R	0064	88-108-103-080	C-RES,U 10K-1/16W J	a
MAIN	O R	0065	88-108-123-080	C-RES,U 12K-1/16W J	a
MAIN	X R	0066	88-108-104-080	C-RES,U 100K-1/16W J	a
MAIN	O R	0067	88-108-103-080	C-RES,U 10K-1/16W J	a
MAIN	O R	0068	88-108-103-080	C-RES,U 10K-1/16W J	a
MAIN	O R	0069	88-108-101-080	C-RES,U 100-1/16W J	a
MAIN	X R	0070	88-128-223-080	C-RES, 22K-1/8W J	a
MAIN	X R	0071	88-128-223-080	C-RES, 22K-1/8W J	a
MAIN	X R	0072	88-128-223-080	C-RES, 22K-1/8W J	a
MAIN	X R	0073	88-128-223-080	C-RES, 22K-1/8W J	a
MAIN	X R	0082	88-128-682-080	C-RES, 6.8K-1/8W J	a
MAIN	X R	0083	88-128-682-080	C-RES, 6.8K-1/8W J	a
MAIN	X R	0084	88-128-682-080	C-RES, 6.8K-1/8W J	a
MAIN	X R	0085	88-128-682-080	C-RES, 6.8K-1/8W J	a
MAIN	O R	0091	88-108-823-080	C-RES,U 82K-1/16W J	a
MAIN	X R	0092	88-108-393-080	C-RES,U 39K-1/16W J	a
					CX-SNR71 EZSM
MAIN	O R	0093	88-108-153-080	C-RES,U 15K-1/16W J	a
MAIN	O R	0094	88-108-823-080	C-RES,U 82K-1/16W J	a
MAIN	X R	0095	88-108-393-080	C-RES,U 39K-1/16W J	a
MAIN	O R	0096	88-108-153-080	C-RES,U 15K-1/16W J	a
MAIN	X R	0103	88-108-683-080	C-RES,U 68K-1/16W J	a
MAIN	X R	0104	88-108-683-080	C-RES,U 68K-1/16W J	a
MAIN	X R	0105	88-108-273-080	C-RES,U 27K-1/16W J	a
MAIN	X R	0106	88-108-273-080	C-RES,U 27K-1/16W J	a
MAIN	O R	0107	88-108-101-080	C-RES,U 100-1/16W J	a
MAIN	O R	0108	88-108-101-080	C-RES,U 100-1/16W J	a
MAIN	X R	0109	88-118-332-080	C-RES,S 3.3K-1/10W J	a
MAIN	X R	0110	88-118-332-080	C-RES,S 3.3K-1/10W J	a
MAIN	X R	0111	88-118-102-080	C-RES,S 1K-1/10W J	a
MAIN	X R	0112	88-118-102-080	C-RES,S 1K-1/10W J	a
MAIN	X R	0113	88-118-273-080	C-RES,S 27K-1/10W J	a
MAIN	X R	0114	88-118-273-080	C-RES,S 27K-1/10W J	a
MAIN	X R	0115	88-128-222-080	C-RES, 2.2K-1/8W J	a
MAIN	X R	0116	88-128-222-080	C-RES, 2.2K-1/8W J	a
MAIN	O R	0117	88-108-103-080	C-RES,U 10K-1/16W J	a
MAIN	O R	0118	88-108-103-080	C-RES,U 10K-1/16W J	a
					CX-SNR71 EZSM
MAIN	X R	0119	88-118-101-080	C-RES,S 100-1/10W J	a
MAIN	X R	0120	88-118-101-080	C-RES,S 100-1/10W J	a
MAIN	X R	0121	88-118-101-080	C-RES,S 100-1/10W J	a
MAIN	X R	0122	88-118-101-080	C-RES,S 100-1/10W J	a
MAIN	X R	0123	88-128-222-080	C-RES, 2.2K-1/8W J	a
MAIN	X R	0124	88-128-222-080	C-RES, 2.2K-1/8W J	a
MAIN	X R	0125	88-128-102-080	C-RES, 1K-1/8W J	a
MAIN	X R	0126	88-128-102-080	C-RES, 1K-1/8W J	a
MAIN	X R	0127	88-118-390-080	C-RES,S 39-1/10W J	a
MAIN	X R	0128	88-118-390-080	C-RES,S 39-1/10W J	a
MAIN	O R	0129	87-A00-257-080	RES,M/F 0.15-1W J	a
MAIN	O R	0130	87-A00-257-080	RES,M/F 0.15-1W J	a
MAIN	O R	0131	87-A00-257-080	RES,M/F 0.15-1W J	a
MAIN	O R	0132	87-A00-257-080	RES,M/F 0.15-1W J	a
MAIN	X R	0133	88-108-222-080	C-RES,U 2.2K-1/16W J	a
MAIN	X R	0134	88-108-222-080	C-RES,U 2.2K-1/16W J	a
MAIN	X R	0135	88-108-182-080	C-RES,U 1.8K-1/16W J	a
MAIN	X R	0136	88-108-182-080	C-RES,U 1.8K-1/16W J	a
MAIN	O R	0137	88-108-101-080	C-RES,U 100-1/16W J	a
MAIN	O R	0138	88-108-101-080	C-RES,U 100-1/16W J	a

ELECTRICAL PARTS LIST - 12/16

! = Δ SAFTY PARTS
 C = Components marked

All components used on this model at the production line are shown in this service manual.
 However, please note that not all components will be available as spare parts for after-sales service.
 Components marked S and O are designated as spare parts for service and will be stocked at the spare parts centers.
 Components marked X and R are not designated as spare parts for after sales service, and will not be stocked at the spare parts centers.

UNIT-NAME	!	C	REF-NO	PARTS-NO	PARTS-NAME	SUFFIX&MODEL
						CX-SNR71 EZSM
MAIN		X R	0141	88-118-102-080	C-RES,S 1K-1/10W J	a
MAIN		X R	0142	88-118-102-080	C-RES,S 1K-1/10W J	a
MAIN		X R	0143	88-108-222-080	C-RES,U 2.2K-1/16W J	a
MAIN		X R	0144	88-108-222-080	C-RES,U 2.2K-1/16W J	a
MAIN		O R	0151	88-108-473-080	C-RES,U 47K-1/16W J	a
MAIN		O R	0152	88-108-473-080	C-RES,U 47K-1/16W J	a
MAIN		X R	0153	88-118-390-080	C-RES,S 39-1/10W J	a
MAIN		X R	0154	88-118-390-080	C-RES,S 39-1/10W J	a
MAIN		X R	0155	88-108-682-080	C-RES,U 6.8K-1/16W J	a
MAIN		X R	0156	88-108-682-080	C-RES,U 6.8K-1/16W J	a
MAIN		X R	0157	88-121-472-080	RES,4.7K-1/8W J	a
MAIN		X R	0158	88-108-472-080	C-RES,U 4.7K-1/16W J	a
MAIN		O R	0159	88-108-103-080	C-RES,U 10K-1/16W J	a
MAIN		X R	0160	88-118-103-080	C-RES,S 10K-1/10W J	a
MAIN		X R	0161	88-108-472-080	C-RES,U 4.7K-1/16W J	a
MAIN		X R	0162	88-108-472-080	C-RES,U 4.7K-1/16W J	a
MAIN		X R	0163	88-108-472-080	C-RES,U 4.7K-1/16W J	a
MAIN		X R	0164	88-108-472-080	C-RES,U 4.7K-1/16W J	a
MAIN		X R	0165	88-108-152-080	C-RES,U 1.5K-1/16W J	a
MAIN		X R	0166	88-108-152-080	C-RES,U 1.5K-1/16W J	a
						CX-SNR71 EZSM
MAIN		O R	0167	88-108-103-080	C-RES,U 10K-1/16W J	a
MAIN		X R	0168	88-118-473-080	C-RES,S 47K-1/10W J	a
MAIN		X R	0171	88-118-222-080	C-RES,S 2.2K-1/10W J	a
MAIN		X R	0172	88-118-222-080	C-RES,S 2.2K-1/10W J	a
MAIN		X R	0173	88-118-182-080	C-RES,S 1.8K-1/10W J	a
MAIN		X R	0174	88-118-182-080	C-RES,S 1.8K-1/10W J	a
MAIN		X R	0175	88-118-331-080	C-RES,S 330-1/10W J	a
MAIN		X R	0176	88-118-331-080	C-RES,S 330-1/10W J	a
MAIN		X R	0178	88-118-103-080	C-RES,S 10K-1/10W J	a
MAIN		O R	0179	88-108-102-080	C-RES,U 1K-1/16W J	a
MAIN		O R	0180	88-108-102-080	C-RES,U 1K-1/16W J	a
MAIN		X R	0181	88-108-222-080	C-RES,U 2.2K-1/16W J	a
MAIN		X R	0182	88-108-222-080	C-RES,U 2.2K-1/16W J	a
MAIN		X R	0183	88-128-272-080	C-RES, 2.7K-1/8W J	a
MAIN		X R	0184	88-121-102-080	RES,1K-1/8W J	a
MAIN		O R	0185	88-108-332-080	C-RES,U 3.3K-1/16W J	a
MAIN		X R	0186	88-118-102-080	C-RES,S 1K-1/10W J	a
MAIN		X R	0187	88-118-103-080	C-RES,S 10K-1/10W J	a
MAIN		X R	0188	88-118-222-080	C-RES,S 2.2K-1/10W J	a
MAIN		X R	0192	88-128-272-080	C-RES, 2.7K-1/8W J	a
						CX-SNR71 EZSM
MAIN		O R	0193	88-108-103-080	C-RES,U 10K-1/16W J	a
MAIN		O R	0194	88-108-103-080	C-RES,U 10K-1/16W J	a
MAIN		O R	0195	88-108-473-080	C-RES,U 47K-1/16W J	a
MAIN		O R	0196	88-108-473-080	C-RES,U 47K-1/16W J	a
MAIN		O R	0197	88-108-473-080	C-RES,U 47K-1/16W J	a
MAIN		O R	0198	88-108-473-080	C-RES,U 47K-1/16W J	a
MAIN		X R	0199	88-121-225-080	RES,2.2M-1/8W J	a
MAIN		X R	0204	88-128-272-080	C-RES, 2.7K-1/8W J	a
MAIN		X R	0205	88-128-272-080	C-RES, 2.7K-1/8W J	a
MAIN		X R	0206	88-128-272-080	C-RES, 2.7K-1/8W J	a
MAIN		X R	0207	88-128-272-080	C-RES, 2.7K-1/8W J	a
MAIN		X R	0208	88-128-272-080	C-RES, 2.7K-1/8W J	a
MAIN		X R	0217	88-108-683-080	C-RES,U 68K-1/16W J	a
MAIN		X R	0218	88-108-105-080	C-RES,U 1M-1/16W J	a
MAIN		O R	0219	88-108-153-080	C-RES,U 15K-1/16W J	a
MAIN		X R	0220	88-118-154-080	C-RES,S 150K-1/10W J	a
MAIN		X R	0227	88-108-471-080	C-RES,U 470-1/16W J	a
MAIN		X R	0228	88-108-471-080	C-RES,U 470-1/16W J	a
MAIN		X R	0247	88-130-100-080	RES,10-1/4W J	a
MAIN		X R	0248	88-130-100-080	RES,10-1/4W J	a
						CX-SNR71 EZSM
MAIN		X R	0249	88-128-100-080	C-RES, 10-1/8W J	a
MAIN		X R	0250	88-128-100-080	C-RES, 10-1/8W J	a
MAIN		X R	0280	88-128-473-080	C-RES, 47K-1/8W J	a
MAIN		X R	0281	88-108-222-080	C-RES,U 2.2K-1/16W J	a
MAIN		O R	0282	88-108-103-080	C-RES,U 10K-1/16W J	a
MAIN		O R	0283	88-108-224-080	C-RES,U 220K-1/16W J	a
MAIN		O R	0284	88-108-224-080	C-RES,U 220K-1/16W J	a
MAIN		X R	0285	88-108-333-080	C-RES,U 33K-1/16W J	a
MAIN		O R	0286	88-108-473-080	C-RES,U 47K-1/16W J	a
MAIN		O R	0287	88-108-473-080	C-RES,U 47K-1/16W J	a
MAIN		X R	0301	88-108-393-080	C-RES,U 39K-1/16W J	a
MAIN		X R	0302	88-108-393-080	C-RES,U 39K-1/16W J	a
MAIN		O R	0303	88-108-823-080	C-RES,U 82K-1/16W J	a
MAIN		O R	0304	88-108-823-080	C-RES,U 82K-1/16W J	a
MAIN		O R	0305	88-108-224-080	C-RES,U 220K-1/16W J	a
MAIN		X R	0451	88-121-222-080	RES,2.2K-1/8W J	a
MAIN		X R	0453	88-118-472-080	C-RES,S 4.7K-1/10W J	a
MAIN		X R	0454	88-121-829-080	RES,8.2-1/8W J	a
MAIN		X R	0455	88-108-183-080	C-RES,U 18K-1/16W J	a
MAIN		X R	0456	88-108-183-080	C-RES,U 18K-1/16W J	a

ELECTRICAL PARTS LIST - 13/16

! = Δ SAFTY PARTS
 C = Components marked

All components used on this model at the production line are shown in this service manual.
 However, please note that not all components will be available as spare parts for after-sales service.
 Components marked S and O are designated as spare parts for service and will be stocked at the spare parts centers.
 Components marked X and R are not designated as spare parts for after sales service, and will not be stocked at the spare parts centers.

UNIT-NAME	!	C	REF-NO	PARTS-NO	PARTS-NAME	SUFFIX&MODEL
						CX-SNR71 EZSM
MAIN		X	R	0457 88-108-104-080	C-RES,U 100K-1/16W J	a
MAIN		O	R	0458 88-108-563-080	C-RES,U 56K-1/16W J	a
MAIN		X	R	0459 88-118-472-080	C-RES,S 4.7K-1/10W J	a
MAIN		X	R	0460 88-108-229-080	C-RES,U 2.2-1/16W J	a
MAIN		X	R	0461 88-108-472-080	C-RES,U 4.7K-1/16W J	a
MAIN		X	R	0462 88-108-471-080	C-RES,U 470-1/16W J	a
MAIN		O	R	0463 88-108-102-080	C-RES,U 1K-1/16W J	a
MAIN		O	R	0464 88-108-102-080	C-RES,U 1K-1/16W J	a
MAIN		X	R	0467 88-108-472-080	C-RES,U 4.7K-1/16W J	a
MAIN		O	R	0468 88-108-272-080	C-RES,U 2.7K-1/16W J	a
MAIN		X	R	0601 88-108-680-080	C-RES,U 68-1/16W J	a
MAIN		X	R	0602 88-108-680-080	C-RES,U 68-1/16W J	a
MAIN		X	R	0603 88-108-394-080	C-RES,U 390K-1/16W J	a
MAIN		X	R	0604 88-108-394-080	C-RES,U 390K-1/16W J	a
MAIN		X	R	0605 88-108-122-080	C-RES,U 1.2K-1/16W J	a
MAIN		X	R	0606 88-108-122-080	C-RES,U 1.2K-1/16W J	a
MAIN		X	R	0607 88-108-183-080	C-RES,U 18K-1/16W J	a
MAIN		X	R	0608 88-108-183-080	C-RES,U 18K-1/16W J	a
MAIN		X	R	0609 88-108-472-080	C-RES,U 4.7K-1/16W J	a
MAIN		X	R	0610 88-121-472-080	RES,4.7K-1/8W J	a
						CX-SNR71 EZSM
MAIN		X	R	0611 88-108-682-080	C-RES,U 6.8K-1/16W J	a
MAIN		X	R	0612 88-108-682-080	C-RES,U 6.8K-1/16W J	a
MAIN		X	R	0613 88-108-682-080	C-RES,U 6.8K-1/16W J	a
MAIN		X	R	0614 88-108-682-080	C-RES,U 6.8K-1/16W J	a
MAIN		X	R	0615 88-108-273-080	C-RES,U 27K-1/16W J	a
MAIN		X	R	0616 88-108-273-080	C-RES,U 27K-1/16W J	a
MAIN		X	R	0617 88-121-822-080	RES,8.2K-1/8W J	a
MAIN		X	R	0618 88-121-822-080	RES,8.2K-1/8W J	a
MAIN		O	R	0619 88-108-153-080	C-RES,U 15K-1/16W J	a
MAIN		O	R	0620 88-108-153-080	C-RES,U 15K-1/16W J	a
MAIN		O	R	0621 88-108-332-080	C-RES,U 3.3K-1/16W J	a
MAIN		O	R	0622 88-108-332-080	C-RES,U 3.3K-1/16W J	a
MAIN		X	R	0623 88-108-682-080	C-RES,U 6.8K-1/16W J	a
MAIN		X	R	0624 88-108-682-080	C-RES,U 6.8K-1/16W J	a
MAIN		O	R	0625 88-108-332-080	C-RES,U 3.3K-1/16W J	a
MAIN		O	R	0626 88-108-332-080	C-RES,U 3.3K-1/16W J	a
MAIN		X	R	0627 88-108-222-080	C-RES,U 2.2K-1/16W J	a
MAIN		X	R	0628 88-108-222-080	C-RES,U 2.2K-1/16W J	a
MAIN		O	R	0629 88-108-103-080	C-RES,U 10K-1/16W J	a
MAIN		O	R	0630 88-108-103-080	C-RES,U 10K-1/16W J	a
						CX-SNR71 EZSM
MAIN		X	R	0631 88-108-222-080	C-RES,U 2.2K-1/16W J	a
MAIN		X	R	0632 88-108-222-080	C-RES,U 2.2K-1/16W J	a
MAIN		O	R	0633 88-108-272-080	C-RES,U 2.7K-1/16W J	a
MAIN		O	R	0634 88-108-272-080	C-RES,U 2.7K-1/16W J	a
MAIN		O	R	0635 88-108-102-080	C-RES,U 1K-1/16W J	a
MAIN		O	R	0636 88-108-102-080	C-RES,U 1K-1/16W J	a
MAIN		X	R	0637 88-108-331-080	C-RES,U 330-1/16W J	a
MAIN		X	R	0638 88-108-331-080	C-RES,U 330-1/16W J	a
MAIN		X	R	0639 88-108-183-080	C-RES,U 18K-1/16W J	a
MAIN		X	R	0640 88-108-183-080	C-RES,U 18K-1/16W J	a
MAIN		X	R	0641 88-121-223-080	RES,22K-1/8W J	a
MAIN		X	R	0642 88-108-222-080	C-RES,U 2.2K-1/16W J	a
MAIN		X	R	0643 88-108-104-080	C-RES,U 100K-1/16W J	a
MAIN		X	R	0644 88-108-104-080	C-RES,U 100K-1/16W J	a
MAIN		X	R	0649 88-108-222-080	C-RES,U 2.2K-1/16W J	a
MAIN		X	R	0650 88-108-222-080	C-RES,U 2.2K-1/16W J	a
MAIN		O	R	0651 88-108-101-080	C-RES,U 100-1/16W J	a
MAIN		O	R	0652 88-108-101-080	C-RES,U 100-1/16W J	a
MAIN		X	R	0656 88-108-474-080	C-RES,U 470K-1/16W J	a
MAIN		X	R	0657 88-128-684-080	C-RES, 680K-1/8W J	a
						CX-SNR71 EZSM
MAIN		X	R	0658 88-108-684-080	C-RES,U 680K-1/16W J	a
MAIN		X	R	0659 88-108-394-080	C-RES,U 390K-1/16W J	a
MAIN		X	R	0660 88-108-274-080	C-RES,U 270K-1/16W J	a
MAIN		X	R	0661 88-108-392-080	C-RES,U 3.9K-1/16W J	a
MAIN		X	R	0662 88-108-392-080	C-RES,U 3.9K-1/16W J	a
MAIN		X	R	0669 88-108-273-080	C-RES,U 27K-1/16W J	a
MAIN		X	R	0670 88-108-273-080	C-RES,U 27K-1/16W J	a
MAIN		O	R	0672 88-108-103-080	C-RES,U 10K-1/16W J	a
MAIN		X	R	0673 88-108-182-080	C-RES,U 1.8K-1/16W J	a
MAIN		O	R	0674 88-108-123-080	C-RES,U 12K-1/16W J	a
MAIN		O	R	0677 88-108-223-080	C-RES,U 22K-1/16W J	a
MAIN		X	R	0678 88-128-223-080	C-RES, 22K-1/8W J	a
MAIN		X	R	0789 88-108-273-080	C-RES,U 27K-1/16W J	a
MAIN		O	R	0790 87-012-286-080	C-CAP,U 0.01-25 K B GRM	a
MAIN		O	R	0791 88-108-102-080	C-RES,U 1K-1/16W J	a
MAIN		X	R	0793 88-108-221-080	C-RES,U 220-1/16W J	a
MAIN		X	R	0795 88-108-000-080	C-JUMPER,U	a
MAIN		O	R	0801 88-108-103-080	C-RES,U 10K-1/16W J	a
MAIN		O	R	0802 88-108-223-080	C-RES,U 22K-1/16W J	a
MAIN		X	R	0803 88-128-183-080	C-RES, 18K-1/8W J	a

ELECTRICAL PARTS LIST - 14/16

! = Δ SAFTY PARTS
 C = Components marked

All components used on this model at the production line are shown in this service manual.
 However, please note that not all components will be available as spare parts for after-sales service.
 Components marked S and O are designated as spare parts for service and will be stocked at the spare parts centers.
 Components marked X and R are not designated as spare parts for after sales service, and will not be stocked at the spare parts centers.

UNIT-NAME	! C	REF-NO	PARTS-NO	PARTS-NAME	SUFFIX&MODEL
					CX-SNR71 EZSM
MAIN	X R	0804	88-108-000-080	C-JUMPER,U	a
MAIN	O R	0805	88-108-332-080	C-RES,U 3.3K-1/16W J	a
MAIN	X R	0806	88-108-682-080	C-RES,U 6.8K-1/16W J	a
MAIN	O R	0809	88-108-102-080	C-RES,U 1K-1/16W J	a
MAIN	O R	0810	88-108-102-080	C-RES,U 1K-1/16W J	a
MAIN	X R	0811	88-108-000-080	C-JUMPER,U	a
MAIN	X R	0812	88-108-000-080	C-JUMPER,U	a
MAIN	O R	0813	88-108-224-080	C-RES,U 220K-1/16W J	a
MAIN	X R	0814	88-108-222-080	C-RES,U 2.2K-1/16W J	a
MAIN	X R	0815	88-121-682-080	RES,6.8K-1/8W J	a
MAIN	O R	0818	88-108-103-080	C-RES,U 10K-1/16W J	a
MAIN	X R	0821	88-108-000-080	C-JUMPER,U	a
MAIN	O R	0823	88-108-473-080	C-RES,U 47K-1/16W J	a
MAIN	O R	0826	88-108-223-080	C-RES,U 22K-1/16W J	a
MAIN	X R	0832	88-108-391-080	C-RES,U 390-1/16W J	a
MAIN	X R	0840	88-108-221-080	C-RES,U 220-1/16W J	a
MAIN	O R	0850	88-108-103-080	C-RES,U 10K-1/16W J	a
MAIN	X R	0851	88-118-470-080	C-RES,S 47-1/10W J	a
MAIN	O R	0853	88-108-102-080	C-RES,U 1K-1/16W J	a
MAIN	X R	0854	88-108-331-080	C-RES,U 330-1/16W J	a
					CX-SNR71 EZSM
MAIN	X R	0855	88-108-183-080	C-RES,U 18K-1/16W J	a
MAIN	O R	0856	88-108-103-080	C-RES,U 10K-1/16W J	a
MAIN	X R	0857	88-108-181-080	C-RES,U 180-1/16W J	a
MAIN	X R	0858	88-108-271-080	C-RES,U 270-1/16W J	a
MAIN	O R	0860	88-108-101-080	C-RES,U 100-1/16W J	a
MAIN	X R	0861	88-108-471-080	C-RES,U 470-1/16W J	a
MAIN	O R	0862	88-108-272-080	C-RES,U 2.7K-1/16W J	a
MAIN	X R	0863	88-108-104-080	C-RES,U 100K-1/16W J	a
MAIN	O R	0864	88-108-123-080	C-RES,U 12K-1/16W J	a
MAIN	X R	0865	88-108-471-080	C-RES,U 470-1/16W J	a
MAIN	X R	0867	88-108-104-080	C-RES,U 100K-1/16W J	a
MAIN	X R	0870	88-121-102-080	RES,1K-1/8W J	a
MAIN	X R	0871	88-121-102-080	RES,1K-1/8W J	a
MAIN	X R	0901	88-108-104-080	C-RES,U 100K-1/16W J	a
MAIN	X R	0902	88-108-104-080	C-RES,U 100K-1/16W J	a
MAIN	X R	0903	88-108-330-080	C-RES,U 33-1/16W J	a
MAIN	O R	0904	88-108-103-080	C-RES,U 10K-1/16W J	a
MAIN	O R	0905	88-108-102-080	C-RES,U 1K-1/16W J	a
MAIN	X R	0906	88-108-564-080	C-RES,U 560K-1/16W J	a
MAIN	X R	0908	88-108-271-080	C-RES,U 270-1/16W J	a
					CX-SNR71 EZSM
MAIN	X R	0909	88-108-181-080	C-RES,U 180-1/16W J	a
MAIN	X R	0910	88-108-334-080	C-RES,U 330K-1/16W J	a
MAIN	X R	0911	88-108-181-080	C-RES,U 180-1/16W J	a
MAIN	X R	0912	88-108-104-080	C-RES,U 100K-1/16W J	a
MAIN	X R	0913	88-108-152-080	C-RES,U 1.5K-1/16W J	a
MAIN	X R	0914	88-108-472-080	C-RES,U 4.7K-1/16W J	a
MAIN	X R	0915	88-108-104-080	C-RES,U 100K-1/16W J	a
MAIN	X R	0916	88-108-470-080	C-RES,U 47-1/16W J	a
MAIN	O R	0926	88-108-101-080	C-RES,U 100-1/16W J	a
MAIN	O R	0944	88-108-101-080	C-RES,U 100-1/16W J	a
MAIN	X R	0945	88-108-104-080	C-RES,U 100K-1/16W J	a
MAIN	X R	0947	88-108-183-080	C-RES,U 18K-1/16W J	a
MAIN	X R	0948	88-108-472-080	C-RES,U 4.7K-1/16W J	a
MAIN	O R	0952	88-108-562-080	C-RES,U 5.6K-1/16W J	a
MAIN	X R	0954	88-108-222-080	C-RES,U 2.2K-1/16W J	a
MAIN	X R	0956	88-108-471-080	C-RES,U 470-1/16W J	a
MAIN	X R	0958	88-108-472-080	C-RES,U 4.7K-1/16W J	a
MAIN	O R	0959	88-108-103-080	C-RES,U 10K-1/16W J	a
MAIN	X R	0962	88-121-102-080	RES,1K-1/8W J	a
MAIN	X R	0964	88-108-330-080	C-RES,U 33-1/16W J	a
					CX-SNR71 EZSM
MAIN	O R	0968	88-108-822-080	C-RES,U 8.2K-1/16W J	a
MAIN	O R	0969	88-108-102-080	C-RES,U 1K-1/16W J	a
MAIN	O R	0973	88-108-102-080	C-RES,U 1K-1/16W J	a
MAIN	O R	0975	88-108-562-080	C-RES,U 5.6K-1/16W J	a
MAIN	O R	0976	88-108-102-080	C-RES,U 1K-1/16W J	a
MAIN	O R	0977	88-108-102-080	C-RES,U 1K-1/16W J	a
MAIN	X R	0978	88-108-681-080	C-RES,U 680-1/16W J	a
MAIN	O R	0979	88-108-123-080	C-RES,U 12K-1/16W J	a
MAIN	X R	0980	88-108-684-080	C-RES,U 680K-1/16W J	a
MAIN	X R	0981	88-121-471-080	RES,470-1/8W J	a
MAIN	X R	0982	88-108-682-080	C-RES,U 6.8K-1/16W J	a
MAIN	X R	0983	88-108-392-080	C-RES,U 3.9K-1/16W J	a
MAIN	O R	0984	88-108-562-080	C-RES,U 5.6K-1/16W J	a
MAIN	X R	0985	88-121-471-080	RES,470-1/8W J	a
MAIN	X R	0986	88-121-221-080	RES,220-1/8W J	a
MAIN	X R	0987	88-121-472-080	RES,4.7K-1/8W J	a
MAIN	O R	0988	88-108-103-080	C-RES,U 10K-1/16W J	a
MAIN	X R	0989	88-121-102-080	RES,1K-1/8W J	a
MAIN	O R	0990	88-108-563-080	C-RES,U 56K-1/16W J	a
MAIN	O R	0991	87-012-195-080	C-CAP,U 100P-50 J CH GRM	a

ELECTRICAL PARTS LIST - 15/16

! = Δ SAFTY PARTS
 C = Components marked

All components used on this model at the production line are shown in this service manual.
 However, please note that not all components will be available as spare parts for after-sales service.
 Components marked S and O are designated as spare parts for service and will be stocked at the spare parts centers.
 Components marked X and R are not designated as spare parts for after sales service, and will not be stocked at the spare parts centers.

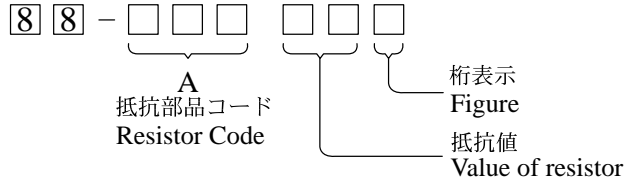
UNIT-NAME	!	C	REF-NO	PARTS-NO	PARTS-NAME	SUFFIX&MODEL
						CX-SNR71 EZSM
MAIN		O	R	0992 88-108-103-080	C-RES,U 10K-1/16W J	a
MAIN		O	R	0993 87-012-195-080	C-CAP,U 100P-50 J CH GRM	a
MAIN		O	R	0994 88-108-103-080	C-RES,U 10K-1/16W J	a
MAIN		O	R	0995 87-012-195-080	C-CAP,U 100P-50 J CH GRM	a
MAIN		O	R	0996 88-108-103-080	C-RES,U 10K-1/16W J	a
MAIN		X	R	0997 88-108-154-080	C-RES,U 150K-1/16W J	a
MAIN		O	R	0998 88-108-102-080	C-RES,U 1K-1/16W J	a
MAIN		O	R	0999 88-108-103-080	C-RES,U 10K-1/16W J	a
MAIN		O	SFR0451	87-A90-432-080	SFR,30K H NVZ6TLTA	a
MAIN		O	SFR0452	87-A90-432-080	SFR,30K H NVZ6TLTA	a
MAIN		X	SH	0301 8C-NF5-221-010	PLATE,SHLD DECK M	a
MAIN		X	SH	0901 8C-ZA3-619-010	SHLD-CASE,CZA-3 EZ P	a
MAIN		O	TC	0942 87-A91-774-080	TRIMMER,PLY 30P 6.8X5.4 CDYL	a
MAIN		O	TH	0101 87-A91-042-080	C-THMS,100K 55001	a
MAIN		O	TH	0102 87-A91-042-080	C-THMS,100K 55001	a
MAIN		O	W	0099 8B-NFJ-620-010	F-CABLE,9P 2.5 280MM	a
MAIN		O	W	0101 8B-NF1-640-010	F-CABLE,5P 2.5 250MM	a
MAIN		O	WH	0001 87-A90-510-010	HLDR,WIRE 2.5-9P	a
MAIN		O	WH	0101 87-A90-459-010	HLDR,WIRE 2.5-5P	a
MAIN		O	X	0862 87-A70-307-010	VIB,XTAL 4.332MHZ CSA-309ST	a
						CX-SNR71 EZSM
MAIN		O	X	0992 87-A70-306-010	VIB,XTAL 4.500MHZ CSA-309ST	a
PT		O	C	0085 87-010-831-080	C-CAP,U 0.1-16 Z F GRM	a
PT		S	D	0082 87-A40-270-080	C-DIODE,MC2838	a
PT		S	D	0083 87-A40-269-080	C-DIODE,MC2836	a
PT		X	F	0081 88-100-000-010	PLATING-JW, 0.58 SN95	a
PT		!	O	PT	0001 8C-NF6-608-010	PT,CNF-6 EZ
PT		!	O	PT	0081 8B-MA6-675-010	PT,SUB BMA E (VRK)
PT		!	O	RY	0081 87-A91-418-010	RELAY,AC 12V G5PA-1-M
PT		!	O	T	0081 87-A60-317-010	TERMINAL, 1P MSC
PT		!	O	T	0082 87-A60-317-010	TERMINAL, 1P MSC
PT		O	WH	0081 87-A90-510-010	HLDR,WIRE 2.5-9P	a

- Regarding connectors, they are not stocked as they are not the initial order items.
The connectors are available after they are supplied from connector manufacturers upon the order is received.

○チップ抵抗部品コード/CHIP RESISTOR PART CODE

チップ抵抗部品コードの成り立ち

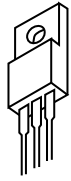
Chip Resistor Part Coding



チップ抵抗
Chip resistor

容量 Wattage	種類 Type	許容誤差 Tolerance	記号 Symbol	寸法/Dimensions (mm)			抵抗コード : A	
				外形/Form	L	W	t	Resistor Code : A
1/16W	1005	± 5%	CJ		1.0	0.5	0.35	104
1/16W	1608	± 5%	CJ		1.6	0.8	0.45	108
1/10W	2125	± 5%	CJ		2	1.25	0.45	118
1/8W	3216	± 5%	CJ		3.2	1.6	0.55	128

TRANSISTOR ILLUSTRATION -1/1



B C E

2SB1548
2SB1686
2SD2642



E C B

2SA1296GR



E C B

2SA1980G
2SA1981Y
2SC3331(T/U)



E C B

2SC5343GL



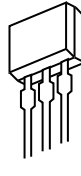
E C B

2N5551C



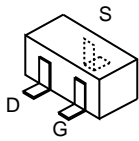
G D S

2SK3053

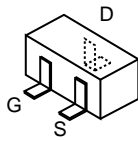


S D G

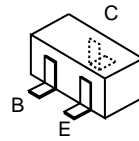
2SJ460
2SK2541



2SK360E

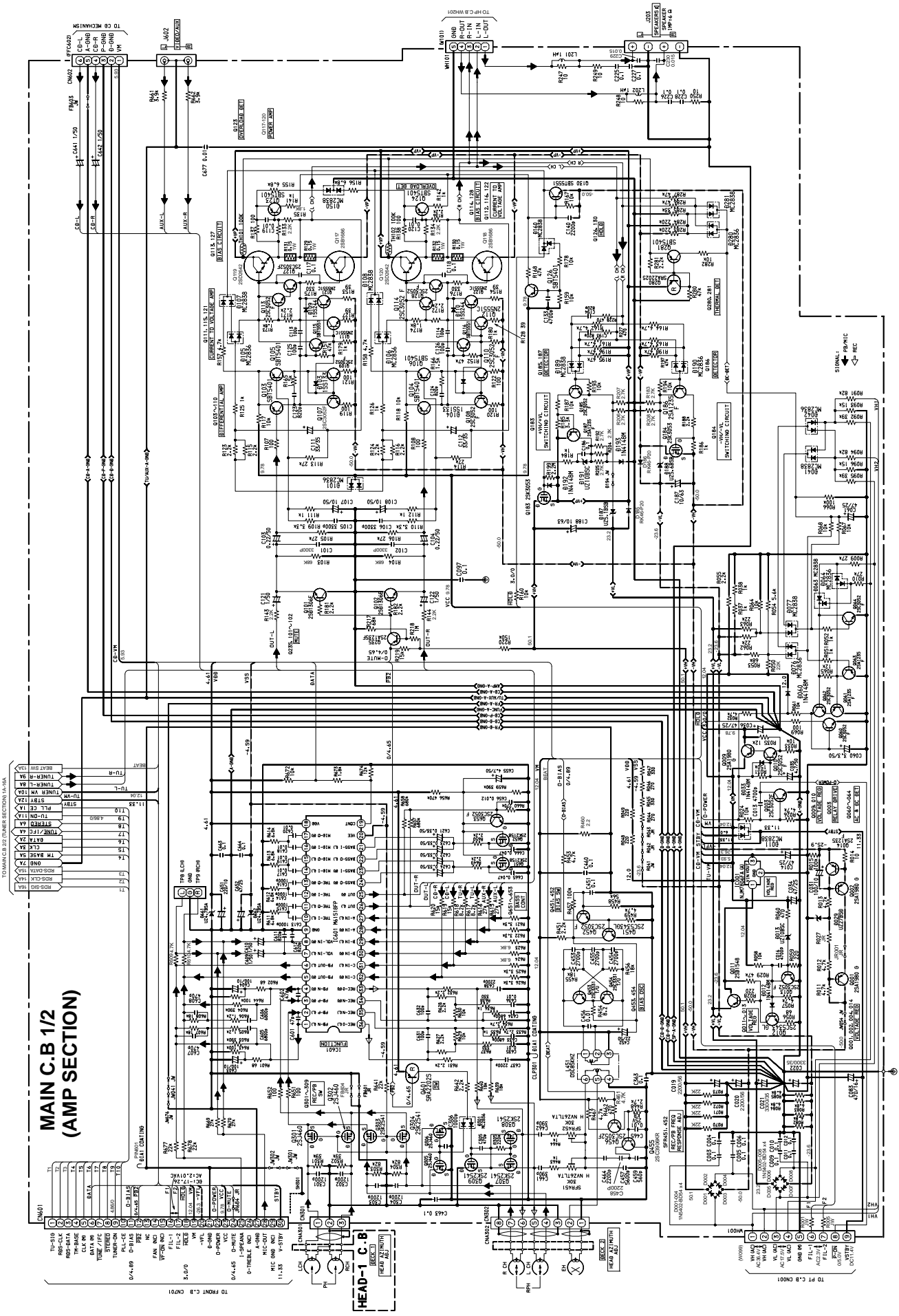


2SK2158

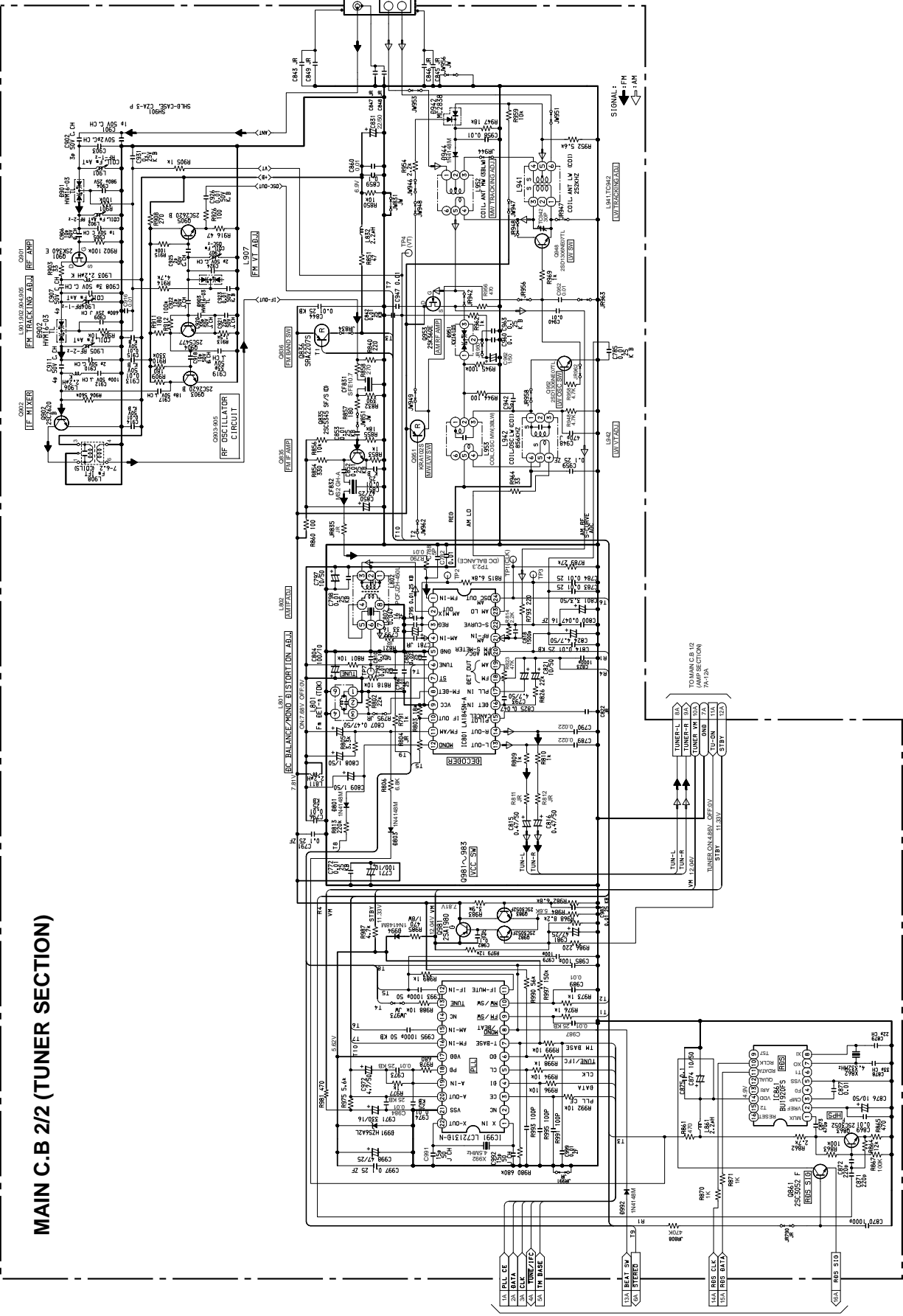


2SA1235F	DTC114YKA
2SC2620B	KRA102S
2SC3052F	SBT5401
2SC3906KR	SBT5551
2SC5345SF/S(O)	SRA2202S
2SD1306E	SRA2207S

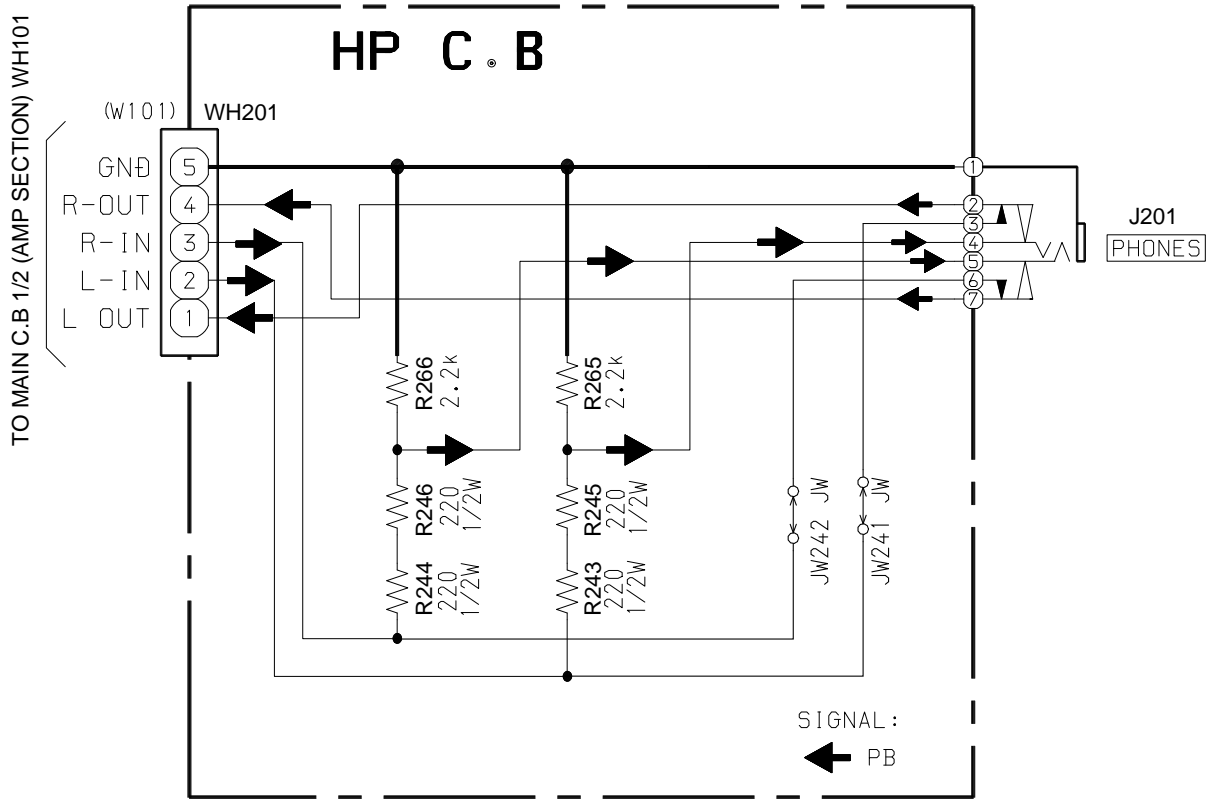
SCHEMATIC DIAGRAM - 1/5 (MAIN -1/2, AMP SECTION)



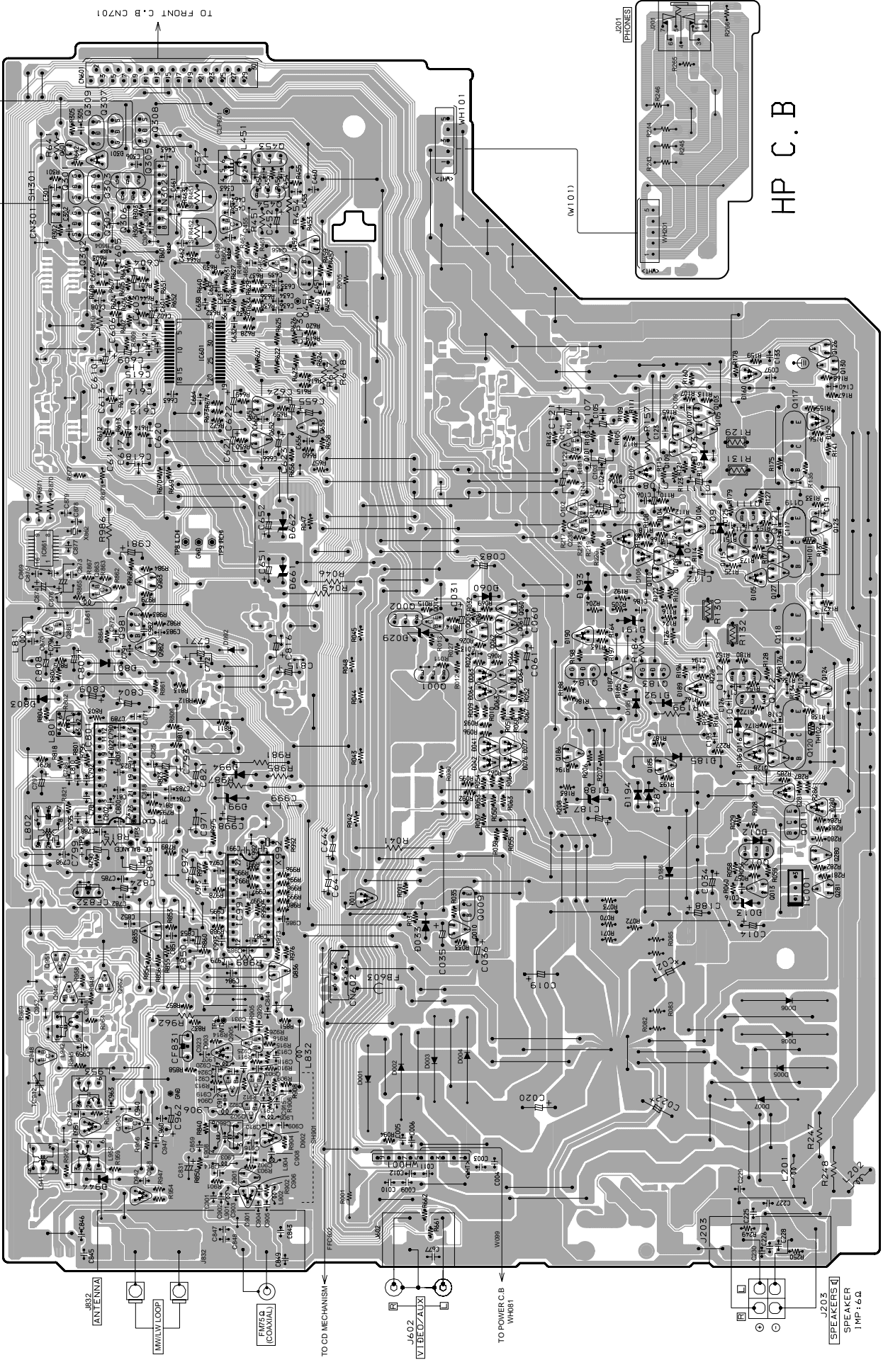
SCHEMATIC DIAGRAM - 2/5 (MAIN -2/2, TUNER SECTION)



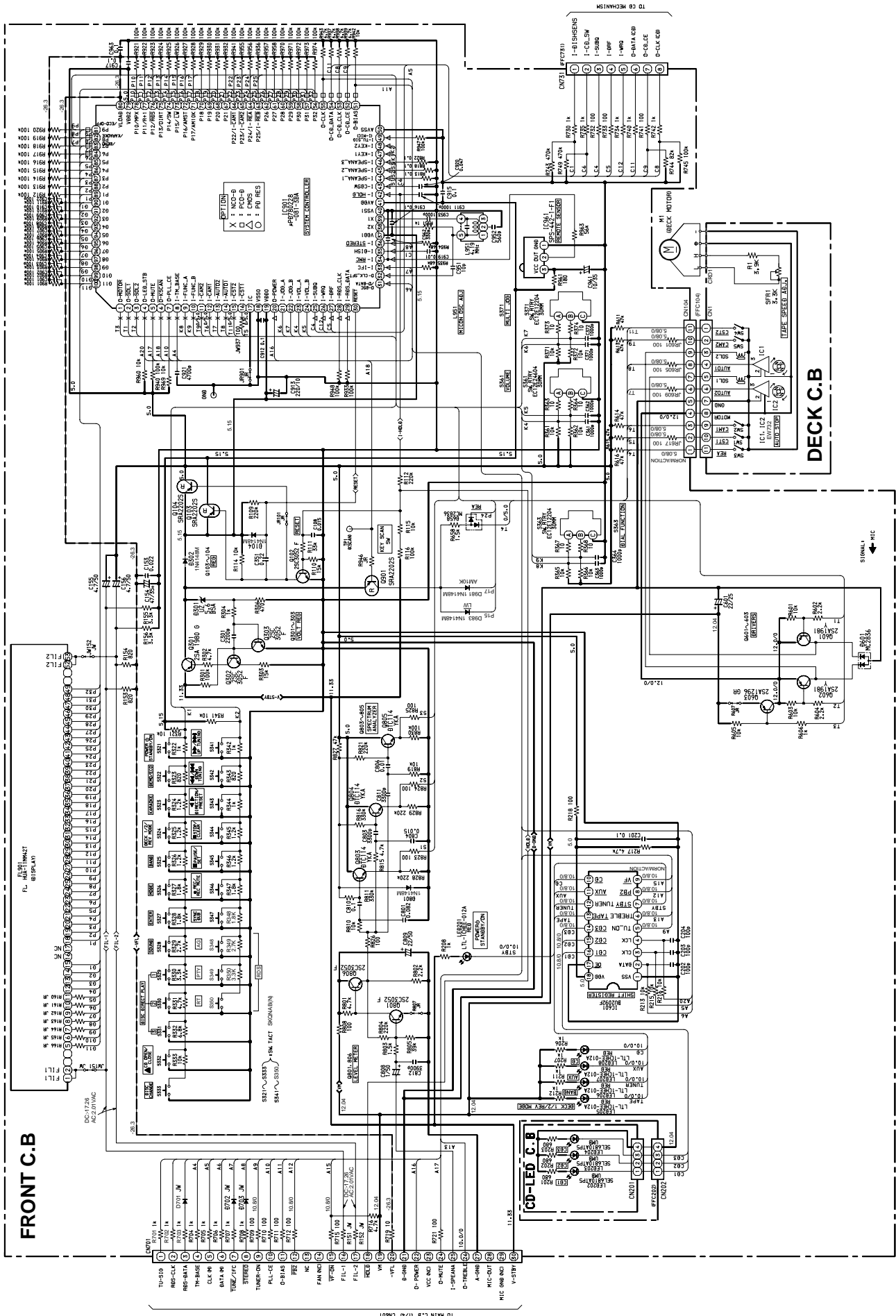
SCHEMATIC DIAGRAM -3/5 (HP SECTION)



MAIN C.B.

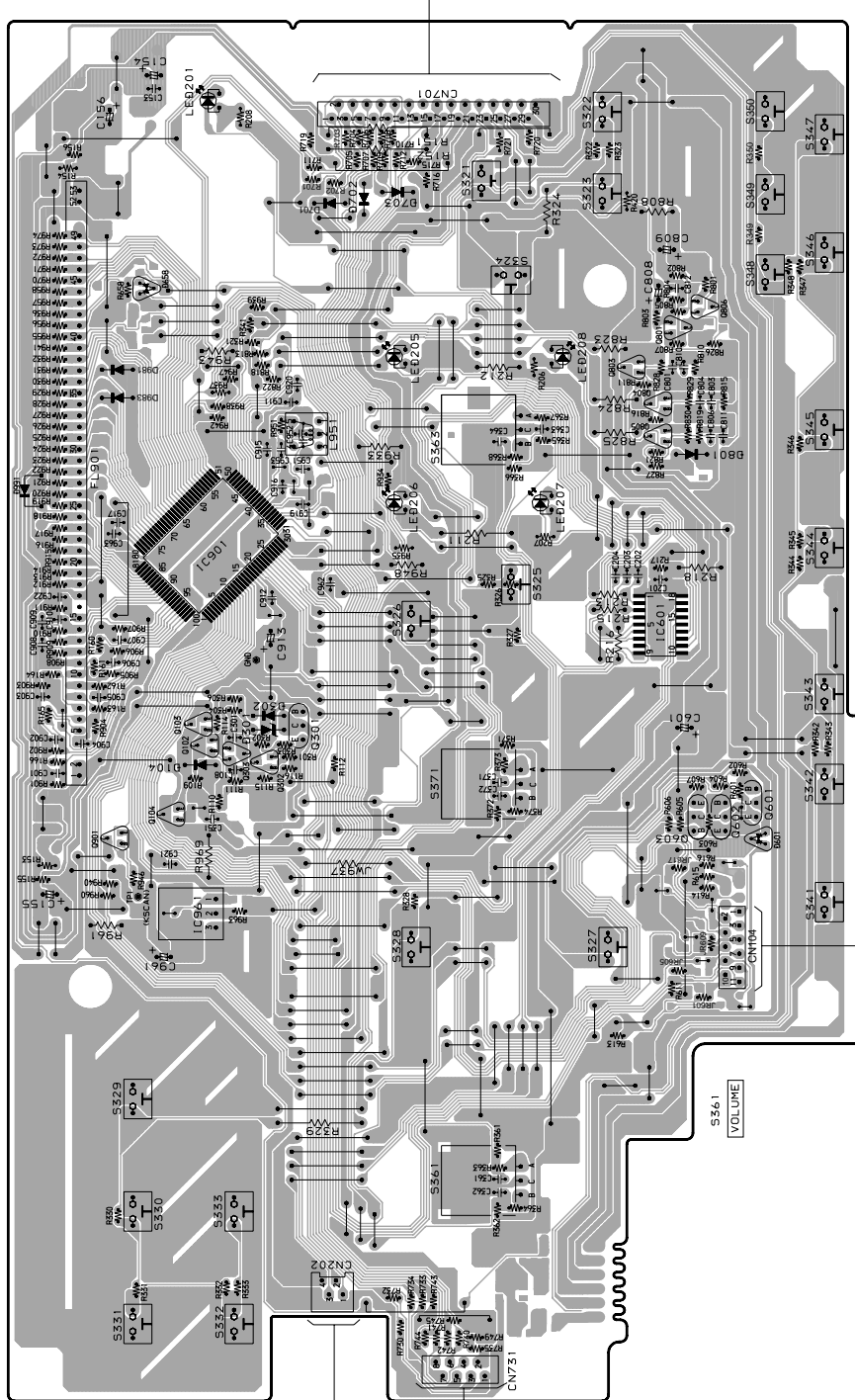
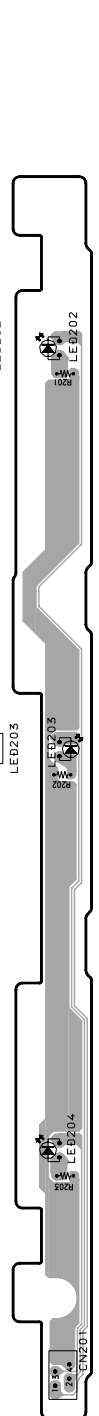


SCHEMATIC DIAGRAM - 4/5 (FRONT/DECK/CD-LED SECTION)



32 31 30 29 28 27 26 25 24 23 22 21 20 19 18 17 16 15 14 13 12 11 10 9 8 7 6 5 4 3 2 1

CD-LED C.B



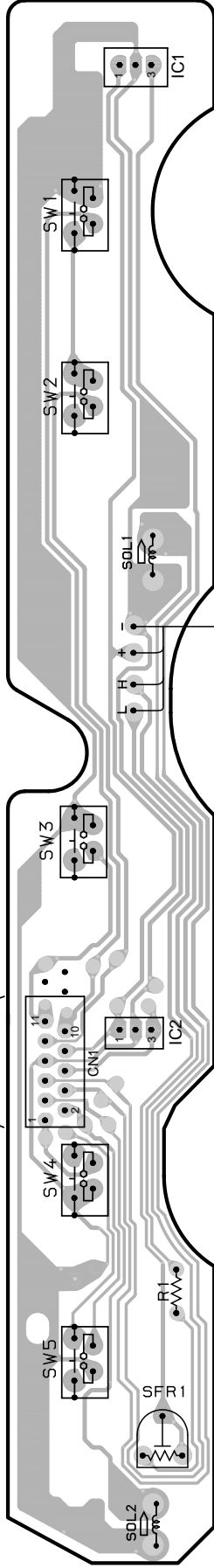
32 31 30 29 28 27 26 25 24 23 22 21 20 19 18 17 16 15 14 13 12 11 10 9 8 7 6 5 4 3 2 1

A

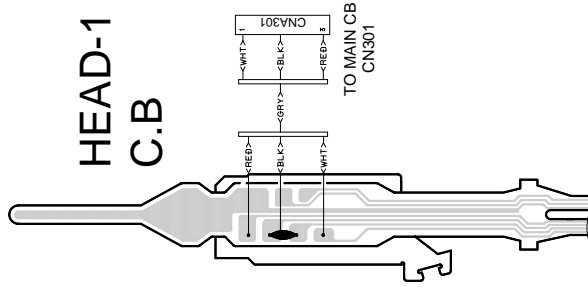
DECK C.B.

SW5 (CAM2) SW4 (CST2) TO FRONT C.B. CN104 (FFC104)

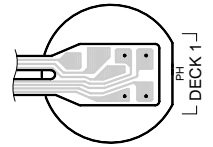
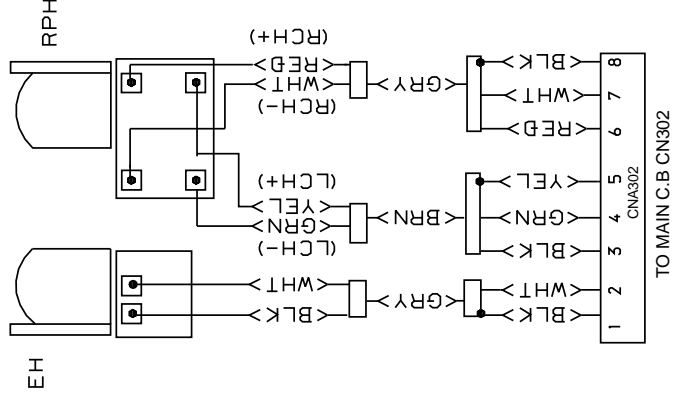
SW2 (CAM1) SW1 (CST1)



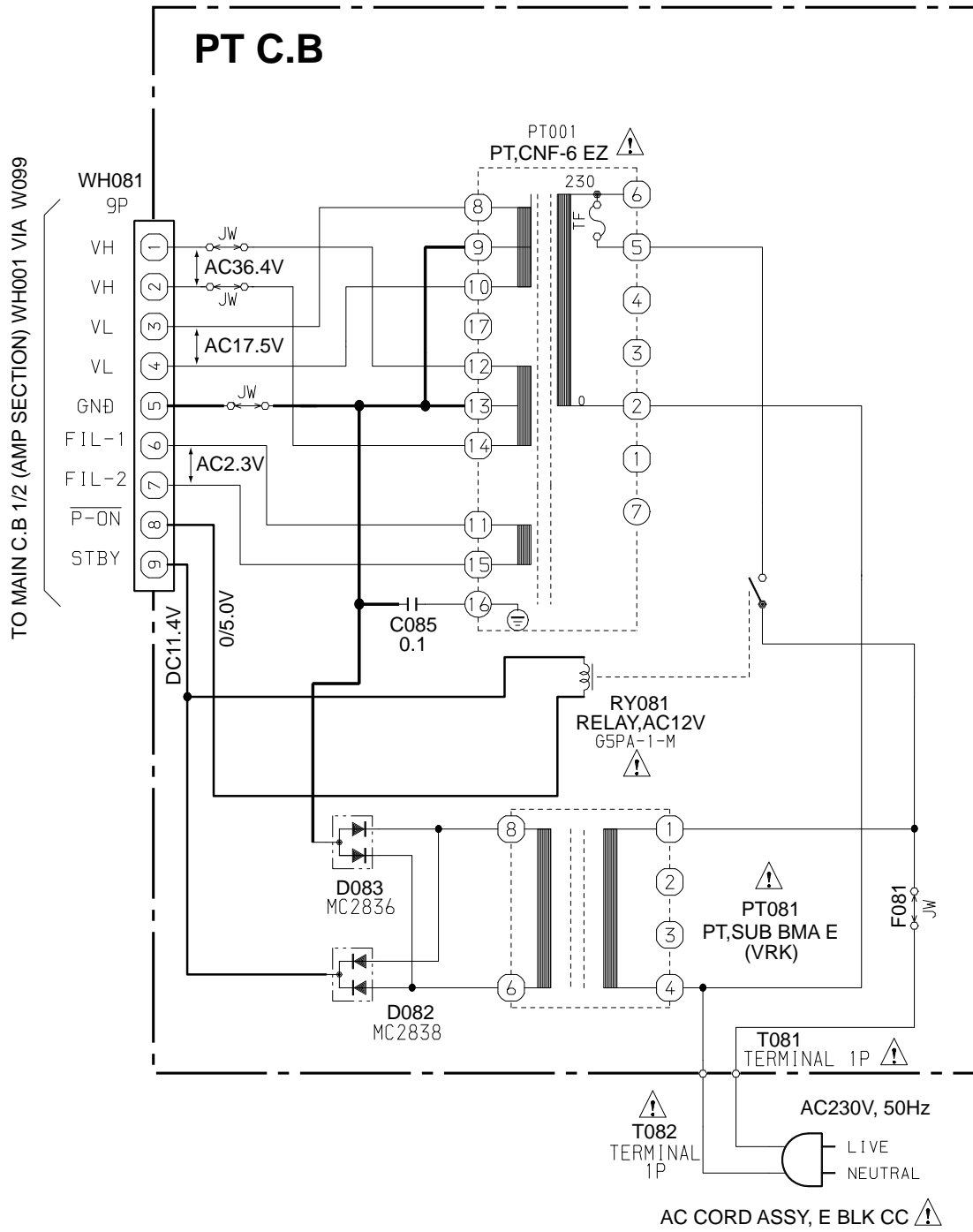
HEAD-1 C.B.



DECK-2



SCHEMATIC DIAGRAM -5/5 (PT SECTION)

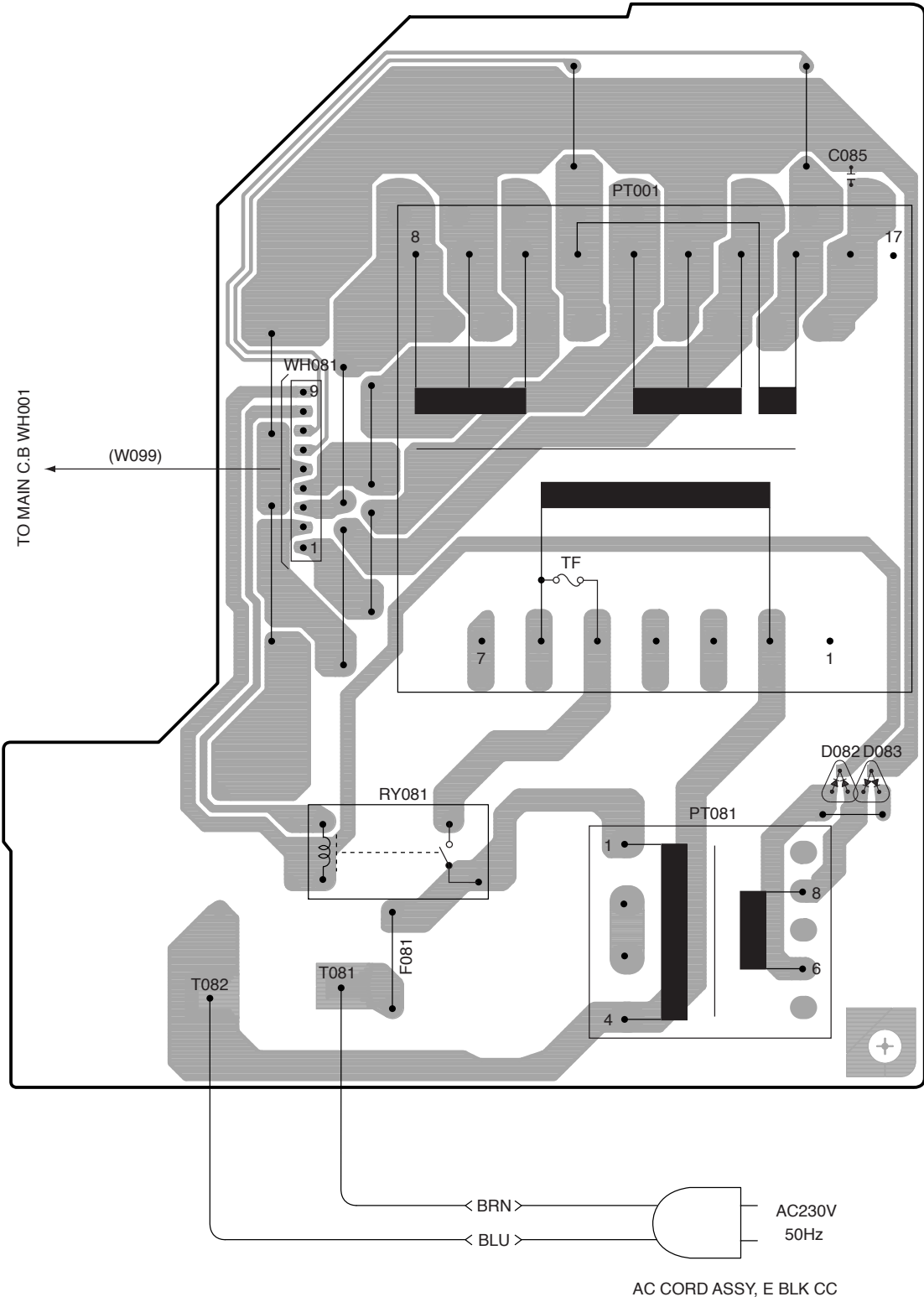


WIRING - 4/4 (PT C.B)

15	14	13	12	11	10	9	8	7	6	5	4	3	2	1
----	----	----	----	----	----	---	---	---	---	---	---	---	---	---

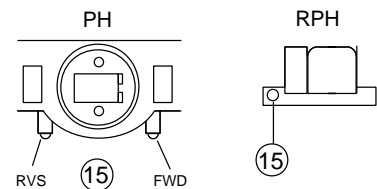
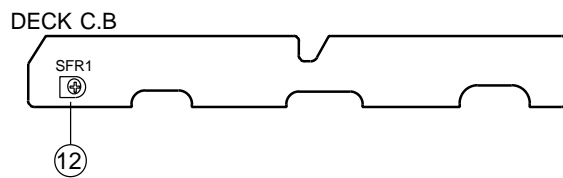
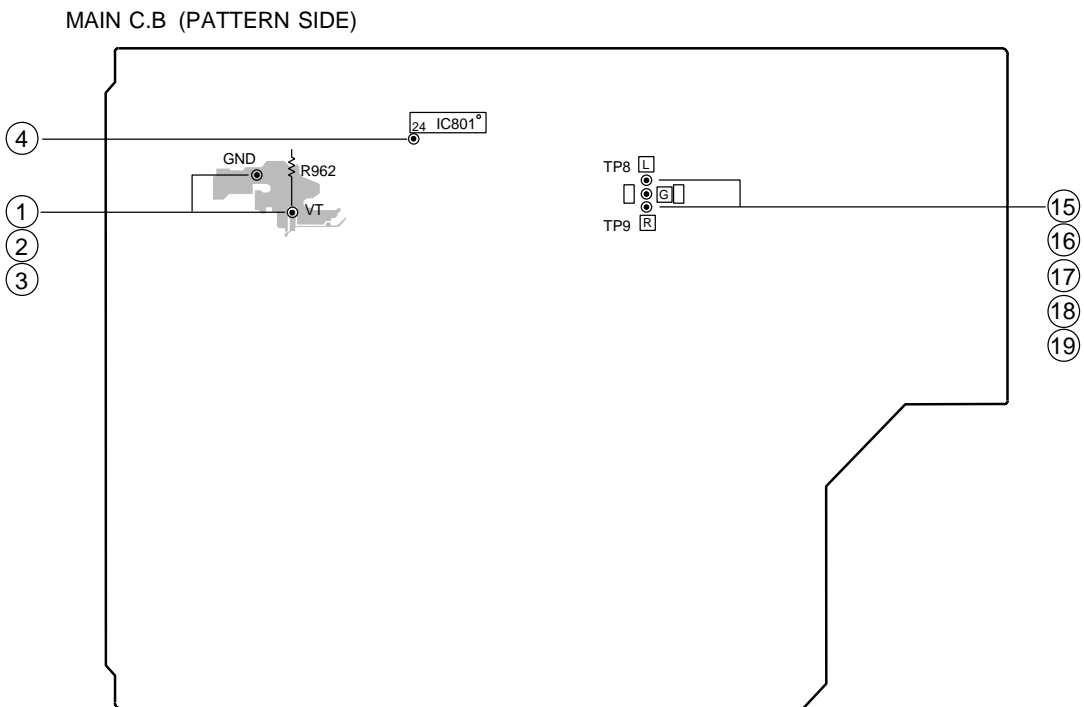
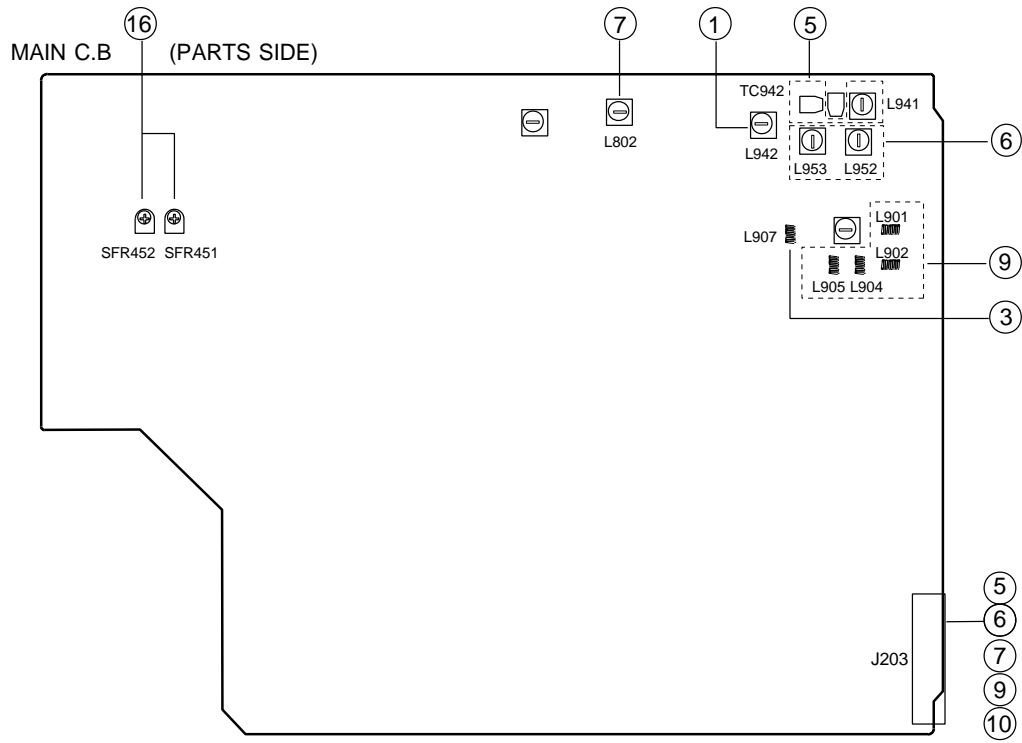
PT C.B

A
B
C
D
E
F
G
H
I
J
K
L
M
N
O
P
Q
R
S
T
U



ELECTRICAL ADJUSTMENT -1/7

<TUNER/DECK Section>



ELECTRICAL ADJUSTMENT -2/7

<TUNER Adjustment>

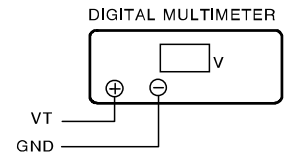
1. VT Check (MW)

Requirements

- Measuring instrument: Digital multimeter

Test points: VT, GND

- 1) Connect the digital multimeter between VT and GND.
- 2) Set the function to MW, and tune the receiving frequency of the unit at 1,602 kHz.
- 3) Check that the digital multimeter ranges under 8 V.
- 4) Tune the receiving frequency of the unit at 531 kHz.
- 5) Check that the digital multimeter ranges above 0.5 V.



2. VT Adjustment (LW)

Requirements: Same as above.

- Adjustment point: L942

- 1) Connect the digital multimeter between VT and GND.
- 2) Set the function to FM, and tune the receiving frequency of the unit at 144.0 kHz.
- 3) Adjust L942 so that the digital multimeter ranges at 1.3 ± 0.05 V.

3. VT Adjustment and Check (FM)

Requirements: Same as the above.

- Adjustment point: L907

- 1) Connect the digital multimeter between VT and GND.
- 2) Set the function to FM, and tune the receiving frequency of the unit at 108.0 MHz.
- 3) Adjust L907 so that the digital multimeter ranges at 7.0 ± 0.1 V.
- 4) Tune the receiving frequency of the unit at 87.5 MHz.
- 5) Check that the digital multimeter ranges under 0.5 V.

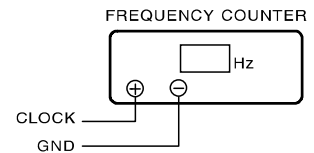
4. CLOCK Check (MW)

Requirements

- Measuring instrument: Frequency counter

Test point: CLOCK (IC801 24PIN), GND

- 1) Connect the frequency counter between CLOCK and GND.
- 2) Set the function to MW, and tune the receiving frequency of the unit at 1,710 kHz.
- 3) Check that the frequency counter ranges at $2,160 \text{ kHz} \pm 45 \text{ Hz}$.



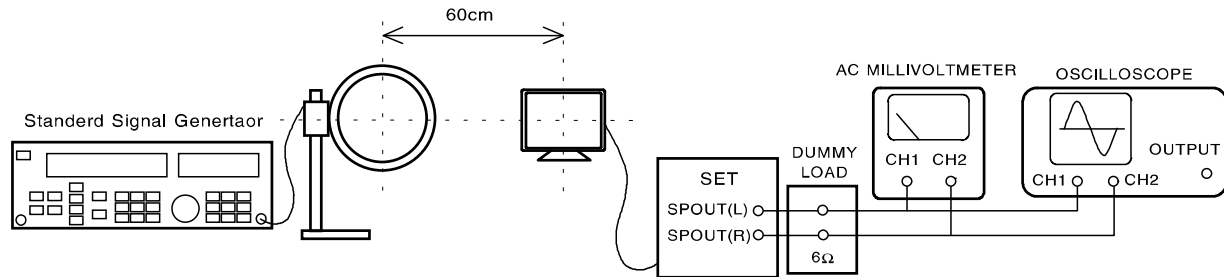
ELECTRICAL ADJUSTMENT -3/7

<MW/LW Adjustment>

Make the following preparations for MW/LW adjustment.

Preparations

- Standard Signal Generator (S.S.G.) / Loop antenna / Oscilloscope / Millivoltmeter / Dummy resistance (6Ω)
 - 1) Connect the unit and measuring instruments as shown in the diagram below.
 - 2) Position the loop antenna connected to S.S.G. and the one connected to the unit 60 cm apart.



5. Tracking Adjustment(LW)

Requirements: As instructed in preparations.

- Adjustment point: L941/TC942
 - 1) Set S.S.G. to LW; carrier of 144 kHz with 30% modulation, and source at 1 kHz, position output at maximum.
 - 2) Tune the receiving frequency of the unit at LW144 kHz.
 - 3) While monitoring the waveform at 1kHz through the oscilloscope, lower the output level of S.S.G. maximum (till a certain degree of noise is monitored).
 - 4) Adjust L941 so that the millivoltmeter points maximum.
 - 5) Set S.S.G. to LW; carrier of 290 kHz with 30% modulation, and source at 1 kHz.
 - 6) Tune the receiving frequency of the unit at LW 290 kHz.
 - 7) Adjust TC942 so that the millivoltmeter points maximum.
 - 8) Repeat above steps 1) to 7) 2 to 3 times.

6. Tracking Adjustment (MW)

Requirements: As instructed in preparations.

- Adjustment point: L952 / L953
 - 1) Set S.S.G. to MW; carrier of 999 kHz with 30% modulation, and source at 1 kHz, position output at maximum.
 - 2) Tune the receiving frequency of the unit at MW 999 kHz.
 - 3) While monitoring the waveform at 1kHz through the oscilloscope, lower the output level of S.S.G. maximum (till a certain degree of noise is monitored).
 - 4) Adjust L952 so that the millivoltmeter points maximum.
 - 5) Set S.S.G. to MW; carrier of 603 kHz with 30% modulation, and source at 1 kHz.
 - 6) Tune the receiving frequency of the unit at MW 603 kHz.
 - 7) Adjust L953 so that the millivoltmeter points maximum.
 - 8) Repeat above steps 1) to 7) 2 to 3 times.

7. IF Adjustment (MW)

Requirements: As instructed in preparations.

- Adjustment point: L802
 - 1) Set S.S.G. to MW; carrier of 999 kHz with 30% modulation, and source at 1 kHz, position output at maximum.
 - 2) Tune the receiving frequency of the unit at MW 999 kHz.
 - 3) While monitoring the waveform at 1 kHz through the oscilloscope, lower the output level of S.S.G. maximum (till a certain degree of noise is monitored).
 - 4) Adjust L802 so that the millivoltmeter points maximum.

8. Auto-Stop Check (MW)

Requirements: As instructed in preparations.

- 1) Set S.S.G. to MW; carrier of 999 kHz or 1,000 kHz with 30% modulation, source at 1 kHz, and output of 40 to 65 dBuV.
- 2) Apply the tuning search function, and check that the unit automatically stops at MW 999 kHz or 1,000 kHz.

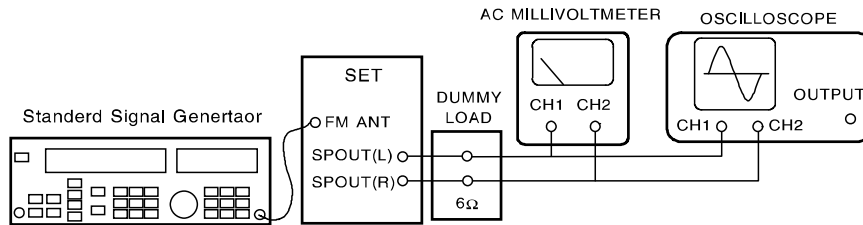
ELECTRICAL ADJUSTMENT -4/7

<FM Adjustment>

Make the following preparations for FM adjustment.

Preparations

- Standard Signal Generator (S.S.G.) / Loop antenna / Oscilloscope / Millivoltmeter / Dummy resistance (6Ω)
 - 1) Connect the unit and measuring instruments as shown in the diagram below.
 - 2) Connect the output of S.S.G. to the antenna input of the unit.



9. Tracking Adjustment

Requirements: As instructed in preparations.

- Adjustment point: L901/L902/L904/L905
 - 1) Set S.S.G. to FM; carrier of 108 MHz with 75 kHz modulation, and source at 1 kHz, position output at maximum.
 - 2) Tune the receiving frequency of the unit at FM 108 MHz.
 - 3) While monitoring the waveform at 1kHz through the oscilloscope, lower the output level of S.S.G. maximum (till a certain degree of noise is monitored).
 - 4) Adjust L905 → L904 → L902 → L901 → L902 → L904 → L905. Repeat adjustment (L905, L904, L902, L901) two or three times so that the millivoltmeter indicates the maximum level.

10. Separation Check

Requirements: As instructed in preparations.

- 1) Set S.S.G. to FM; carrier of 98 MHz with 67.5 kHz modulation, source at 1 kHz, and output at 74 dBuV.
- 2) Switch S.S.G. to PILOT ON, and set PILOT at 7.5 kHz.
- 3) Tune the receiving frequency of the unit at FM 98 MHz.
- 4) Allow the output of S.S.G. only from Lch, and check that the difference between Lch and Rch is 12 dB or above.
- 5) Apply the above check to Rch.

11. Auto-Stop Check

Requirements: As instructed in preparations.

- 1) Set S.S.G. to FM; carrier of 98 MHz or 83 MHz with 75 kHz modulation, source at 1kHz, and output at 10 to 35 dBuV or less.
- 2) Apply the tuning search function, and check that the unit automatically stops at FM 98 MHz or 83 MHz.

ELECTRICAL ADJUSTMENT -5/7

<DECK Section>

12. Tape Speed Adjustment (DECK 2)

Requirements

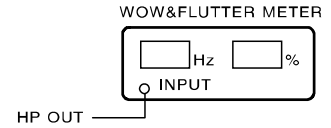
- Measuring instrument: Wow and flutter meter (frequency counter)

Test tape: TTA-100 (3 kHz)

Test point: HP OUT

Adjustment point: SFR1

- 1) Connect the wow and flutter meter to HP OUT of the unit.
- 2) Insert the test tape (TTA-100) to DECK 2. Play back the middle part of the tape, and adjust SFR1 so that the level 3,000 Hz \pm 5 Hz is monitored.



13. Tape Speed Check (DECK 1)

Requirements: Same as the above, 12.

- 1) Insert the test tape (TTA-100) to DECK 1. Play back the middle part of the tape, and check that the level is ranged within \pm 55 Hz as compared to the speed monitored for DECK 2.

14. Wow and Flutter Check (DECK 1 and DECK 2)

Requirements: Same as the above, 12.

- 1) Connect the wow and flutter meter to HP OUT of the unit.
- 2) Set the wow and flutter to JIS for INDICATOR and to W RMS (WTD) for mode.
- 3) Play back the middle part of the test tape (TTA-100), and check that the level ranges under 0.25%.

15. Head Azimuth Adjustment (DECK 1 and DECK 2)

Requirements

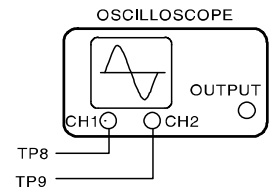
- Measuring instrument: Oscilloscope

Test tape: TTA-300 (10 kHz)

Test point: TP8 (Lch), TP9 (Rch)

Adjustment point: Head azimuth adjustment screw

- 1) Connect the probe CH1 of the oscilloscope to TP8 (Lch) and CH2 to TP9 (Rch).
- 2) Set V mode of the oscilloscope to ADD.
- 3) Insert the test tape (TTA-300) to DECK 1. Forward and play back the middle part of the tape, and adjust the head azimuth adjustment screw so that the waveform achieves its maximum level when 10 kHz is played.
- 4) A reverse side adjust similarly.
- 5) After adjustment, secure the screw with glue (1600 B).
- 6) Apply the above steps 3) and 5) to DECK 2.



16. Playback Frequency Check (DECK 1 and DECK 2)

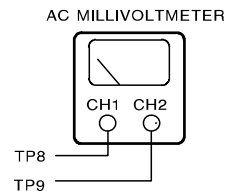
Requirements

- Measuring instrument: Millivoltmeter

Test tape: TTA-300 (315 Hz / 10 kHz)

Test point: TP8 (Lch), TP9 (Rch)

- 1) Connect CH1 of the millivoltmeter to TP8 (Lch) and CH2 to TP9 (Rch).
- 2) Insert the test tape (TTA-300) to DECK 1, and play back 315 Hz and 10 kHz.
- 3) Check that the level of 10 kHz is ranged within 0 ± 3 dB compared to the output level of 315 Hz as a reference.
- 4) Apply the above steps 2) and 3) to DECK 2.



ELECTRICAL ADJUSTMENT -6/7

17. Playback Sensitivity Check (DECK 1 and DECK 2)

Requirements

- Measuring instrument: Millivoltmeter
- Test tape: TTA-200 (400 kHz)
- Test points: TP8 (Lch), TP9 (Rch)
- 1) Connect CH1 of the millivoltmeter to TP8 (Lch) and CH2 to TP9 (Rch).
- 2) Insert the test tape (TTA-200) to DECK 1 and play back.
- 3) Check that the output level is ranged within $140 \text{ mV} \pm 3 \text{ dB}$.
- 4) Apply the above steps, 2) and 3) to DECK 2.

18. Record/Playback Frequency Response Adjustment (DECK 2)

Requirements

- Measuring instrument: Millivoltmeter, Audio signal oscillator (low frequency oscillator), Attenuator

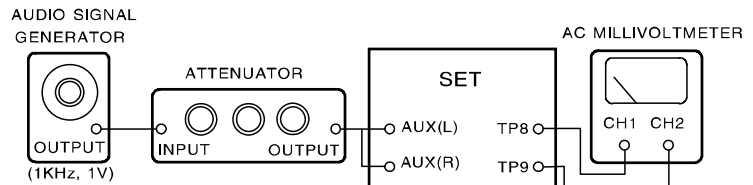
Test tape: TTA-602 (NORMAL)

Test points: TP8 (Lch), TP9 (Rch)

Input point: AUX (1 kHz / 10 kHz)

Adjustment points: SFR451 (Lch), SFR452 (Rch)

- 1) Connect CH1 of the millivoltmeter to TP8 (Lch) and CH2 to TP9 (Rch).
- 2) Connect the output of the oscillator to the attenuator, and then the attenuator to AUX of the unit.
- 3) Insert the test tape (TTA-602) to DECK 2, and record 1 kHz signal from AUX.
- 4) Adjust the attenuator so that the output levels at TP8 and TP9 are ranged at 10mV.
- 5) Record 1 kHz and 10 kHz alternatively.
- 6) Play back the tape. Adjust SFR451 (Lch)/SFR452 (Rch) so that the playback output level of 10 kHz is ranged within $0 \pm 1 \text{ dB}$ compared to the playback output level of 1 kHz as reference.



19. Record/Playback Sensitivity Check (DECK 2)

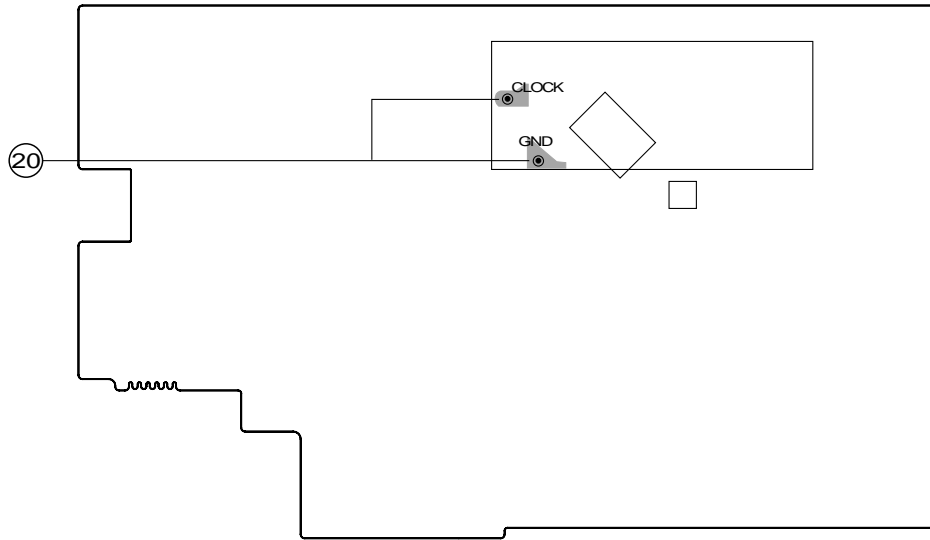
Requirements

- Measuring instrument: Same as the above, 18
- Test tape: TTA-602 (NORMAL)
- Test point: TP8 (Lch), TP9 (Rch)
- Input point: AUX (1 kHz)
- 1) Insert the test tape (TTA-602) to DECK 2, and record 1 kHz signal from AUX.
- 2) Adjust the attenuator so that the output levels at TP8 and TP9 are 100 mV.
- 3) Play back 1kHz, and check that the output level is ranged within $-2 \text{ dB} \pm 3.5 \text{ dB}$ compared to the recording output level.

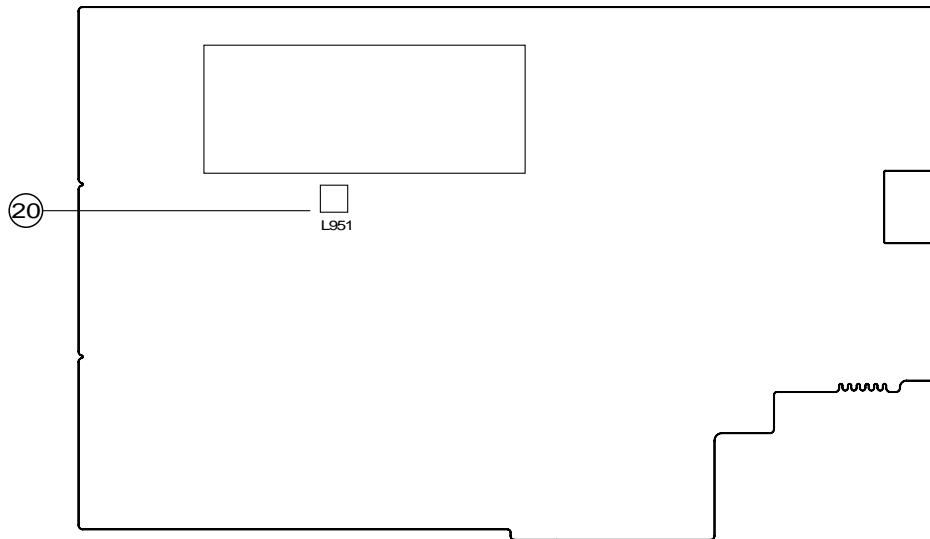
ELECTRICAL ADJUSTMENT -7/7

<FRONT Section>

FRONT C.B PATTERN SIDE



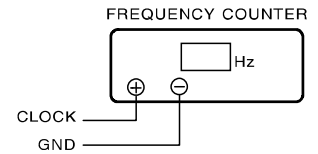
FRONT C.B PARTS SIDE



20. Clock Adjustment

Requirements

- Measuring instrument: Frequency counter
- Test point: CLOCK, GND
Adjustment point: L951
- While pressing the FF and POWER button, insert the AC plug to the outlet.
 - Adjust L951 so that the frequency counter indicates the frequency level within 84.804 ± 0.085 Hz.



CD TEST MODE -1/1

CD TEST MODE Ver. 3.0

1. Starting CD Test Mode

While pressing and holding down the CD OPEN/CLOSE button, insert the AC plug to outlet.
When test mode starts, the message, TEST appears on the display.

2. Exiting CD Test Mode

Press the other function key, POWER button or remove the AC plug from outlet.

3. Function of CD Test Mode

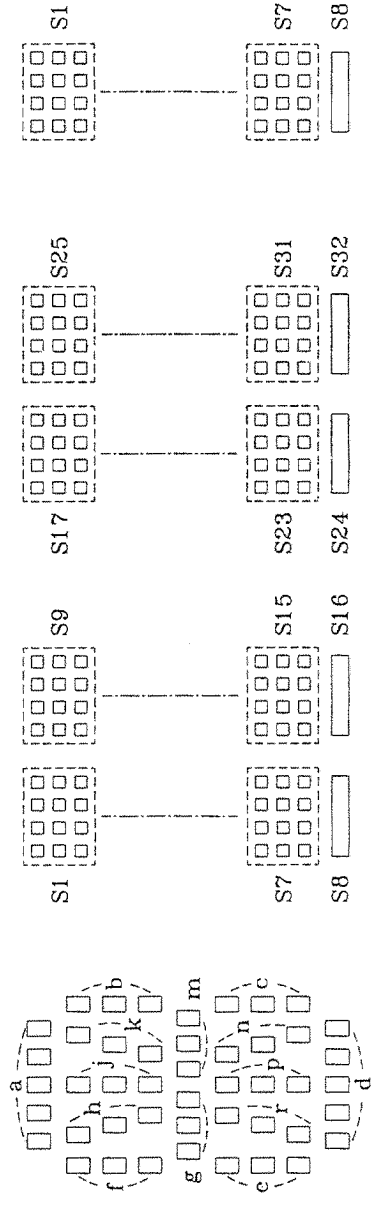
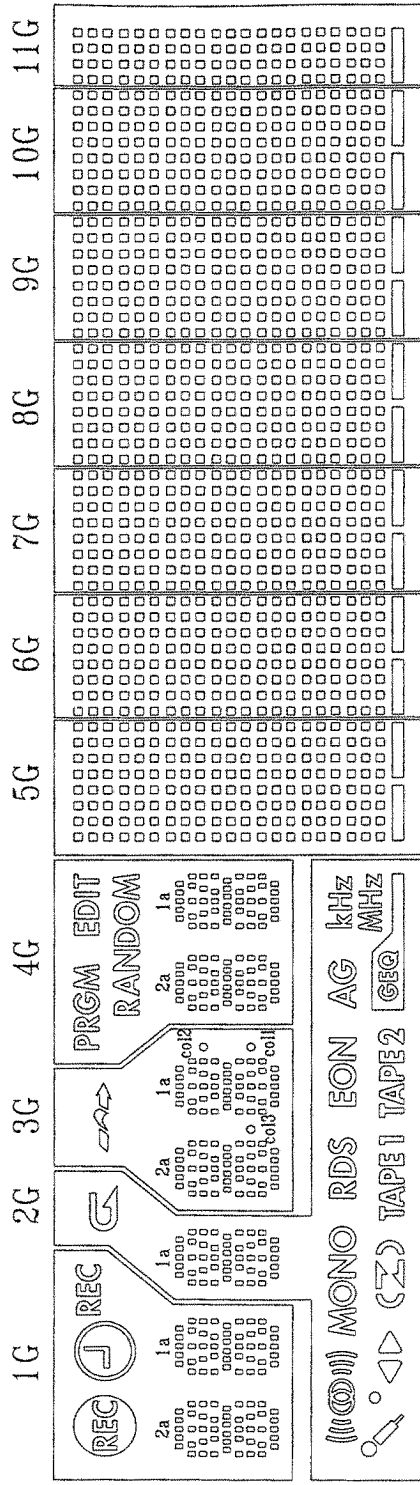
No	Mode	Function Key	Display	Movement	Check
1	Start Mode		All lit.	FL all lit.	<ul style="list-style-type: none"> • FL check • Microcomputer check
2	Search Mode	STOP button	READING	<ul style="list-style-type: none"> • LD constantly lit. • Focus search continuous movement *1, 2 • Spindle motor continuous kick 	<ul style="list-style-type: none"> • APC circuit check • Laser current electricity measurement • Focus search waveform check • Focus error waveform check (DRF is ignored during search mode.)
3	Play Mode	PLAY button	Normal	<ul style="list-style-type: none"> • Normal playback • If TOC READ is unavailable, focus search is continued. 	<ul style="list-style-type: none"> • Each servo circuit check • DRF check • RF waveform check (1.5 Vp-p Approx.)
4	Traverse Mode	PAUSE button	Normal	<ul style="list-style-type: none"> • Tracking servo OFF/ON OFF and ON is repeated by every press of the PAUSE button. 	<ul style="list-style-type: none"> • Tracking balance check
5	Sled mode	FF button	TEST	<ul style="list-style-type: none"> • PU moves to the innermost position. *3 At the same time, lens is kicked toward inner position. 	<ul style="list-style-type: none"> • Sled circuit check • Tracking circuit check • Mechanism movement check • PU check
		RWD button	TEST	<ul style="list-style-type: none"> • PU moves to the outermost position. *3 At the same time, lens is kicked toward outer position. 	
6	Spindle mode	● REC/ REC MUTE button	All lit.	<ul style="list-style-type: none"> • When the button is pressed at the first time, spindle motor rotates forward (at rough speed). At the second press, rotation is reversed. At the third press, rotation stops. 	<ul style="list-style-type: none"> • Spindle circuit check • Spindle motor check

* 1 When Focus Search operates continuously more than 10 minutes, the protection circuit is activated due to heat generation of the driver IC. In this case, turn off the power, wait for approximately 10 minutes so that heat is released, and then restart.

* 2 When the Focus Search fails three times, the gain is switched for CD-RW at the fourth time.

* 3 Be careful not to damage the gear because the sled motor rotates while the FF or RWD button is being pressed even if the pickup is located in the innermost track or the outermost track.

GRID ASSIGNMENT



(1G - 4G) (5G, 7G, 9G) (6G, 8G, 10G) (11G)

LCD DISPLAY -2/2 <HUA-11MM42T>

ANODE CONNECTION

	1G	2G	3G	4G	5G	6G	7G	8G	9G	10G	11G
P1	REC		FROM	SI	SI	SI	SI	SI	SI	SI	SI
P2		col1	EDIT	S9	S9	S9	S9	S9	S9	S9	S9
P3		col2	RANDOM	—	S17	S17	S17	S17	S17	S17	S17
P4	—	col3	—	—	S25	S25	S25	S25	S25	S25	S25
P5	2a	2a	2a	S2	S2	S2	S2	S2	S2	S2	S2
P6	2h	2h	2h	S10	S10	S10	S10	S10	S10	S10	S10
P7	2j	MONO	2j	—	S18	S18	S18	S18	S18	S18	S18
P8	2k	2k	2k	—	S26	S26	S26	S26	S26	S26	S26
P9	2b	2b	2b	S3	S3	S3	S3	S3	S3	S3	S3
P10	2f	2f	2f	S11	S11	S11	S11	S11	S11	S11	S11
P11	2m	TAPE1	2m	—	S19	S19	S19	S19	S19	S19	S19
P12	2g	TAPE2	2g	—	S27	S27	S27	S27	S27	S27	S27
P13	2c	RDS	2c	S4	S4	S4	S4	S4	S4	S4	S4
P14	2e	EON	2e	S12	S12	S12	S12	S12	S12	S12	S12
P15	2r		2r	—	S20	S20	S20	S20	S20	S20	S20
P16	2p	AG	2p	—	S28	S28	S28	S28	S28	S28	S28
P17	2n	MHz	2n	S5	S5	S5	S5	S5	S5	S5	S5
P18	2d	kHz	2d	S13	S13	S13	S13	S13	S13	S13	S13
P19	1a	1a	1a	—	S21	S21	S21	S21	S21	S21	S21
P20	1h	1h	1h	—	S29	S29	S29	S29	S29	S29	S29
P21	1j	1j	1j	S6	S6	S6	S6	S6	S6	S6	S6
P22	1k	1k	1k	S14	S14	S14	S14	S14	S14	S14	S14
P23	1b	1b	1b	—	S22	S22	S22	S22	S22	S22	S22
P24	1f	1f	1f	—	S30	S30	S30	S30	S30	S30	S30
P25	1m	1m	1m	S7	S7	S7	S7	S7	S7	S7	S7
P26	1g	1g	1g	S15	S15	S15	S15	S15	S15	S15	S15
P27	1c	1c	1c	—	S23	S23	S23	S23	S23	S23	S23
P28	1e	1e	1e	—	S31	S31	S31	S31	S31	S31	S31
P29	1r	1r	1r	S8	S8	S8	S8	S8	S8	S8	S8
P30	1p	1p	1p	S16	S16	S16	S16	S16	S16	S16	S16
P31	1n	1n	1n	—	S24	S24	S24	S24	S24	S24	S24
P32	1d	1d	1d	—	S32	S32	S32	S32	S32	S32	S32

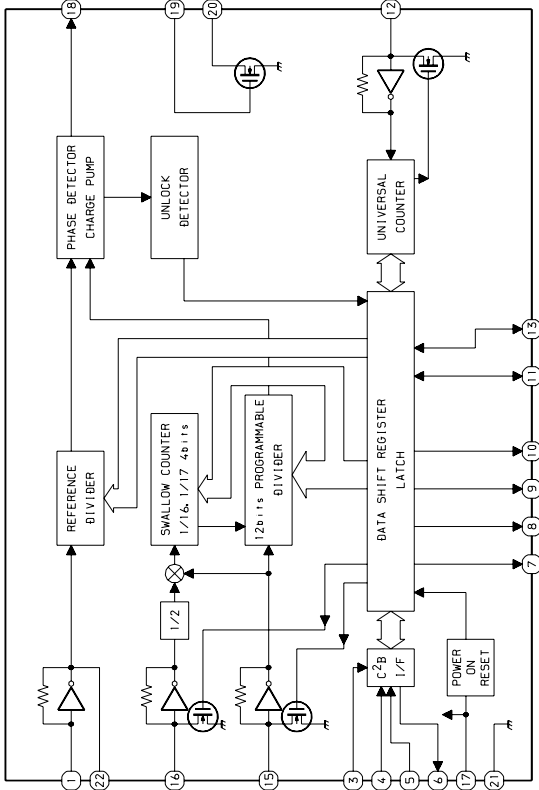
PIN CONNECTION

PIN NO.	53	52	51	50	49	48	47	46	45	44	43	42	41	40	39	38	37	36	35	34	33	32	31	30	29	28	27	26	25	24	23	22	21	20
CONNECTION	F2	F2	NP	NP	F32	P31	P30	P29	P28	P27	P26	P25	P24	P23	P22	P21	P20	P19	P18	P17	P16	P15	P14	P13	P12	P11	P10	P9	P8	P7	P6	P5	P4	P3

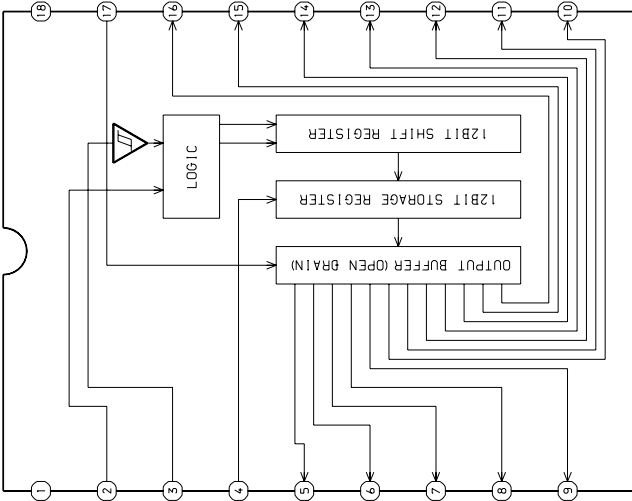
19	18	17	16	15	14	13	12	11	10	9	8	7	6	5	4	3	2	1																	
P2	P1	NC	NC	1G	2G	3G	4G	5G	6G	7G	8G	9G	10G	11G	NP	NP	FI	FI																	

IC BLOCK DIAGRAM -1/1

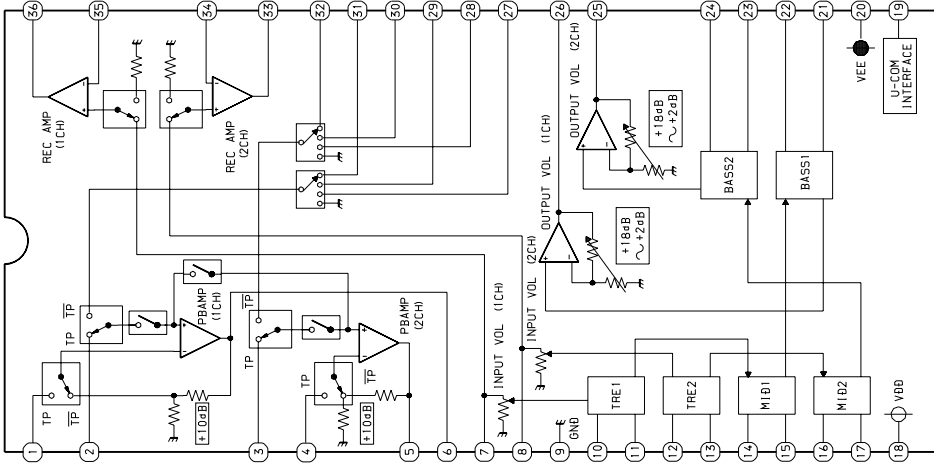
IC, LC72131D-N



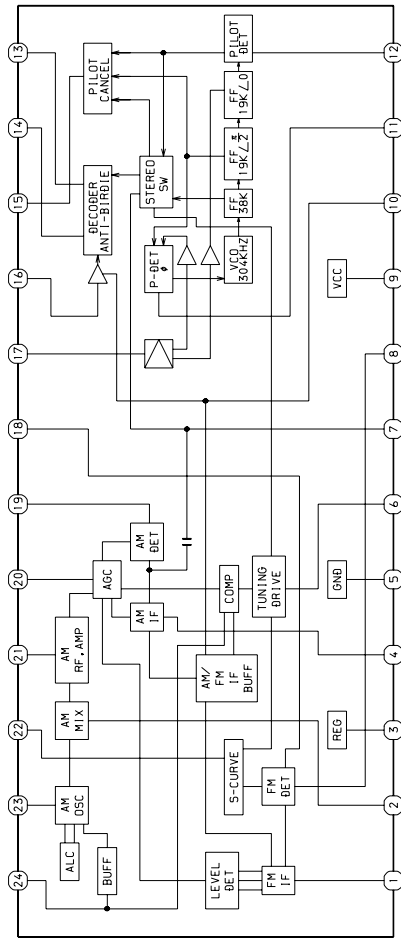
IC, BU2092F



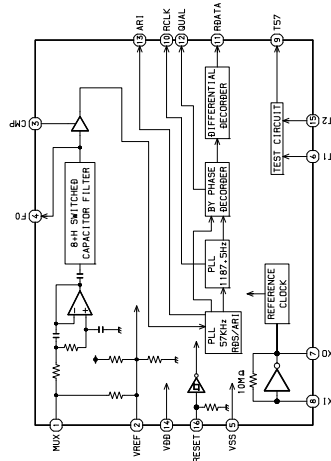
IC, M61518FP



IC, LA1845N-A



IC, BU1920FS

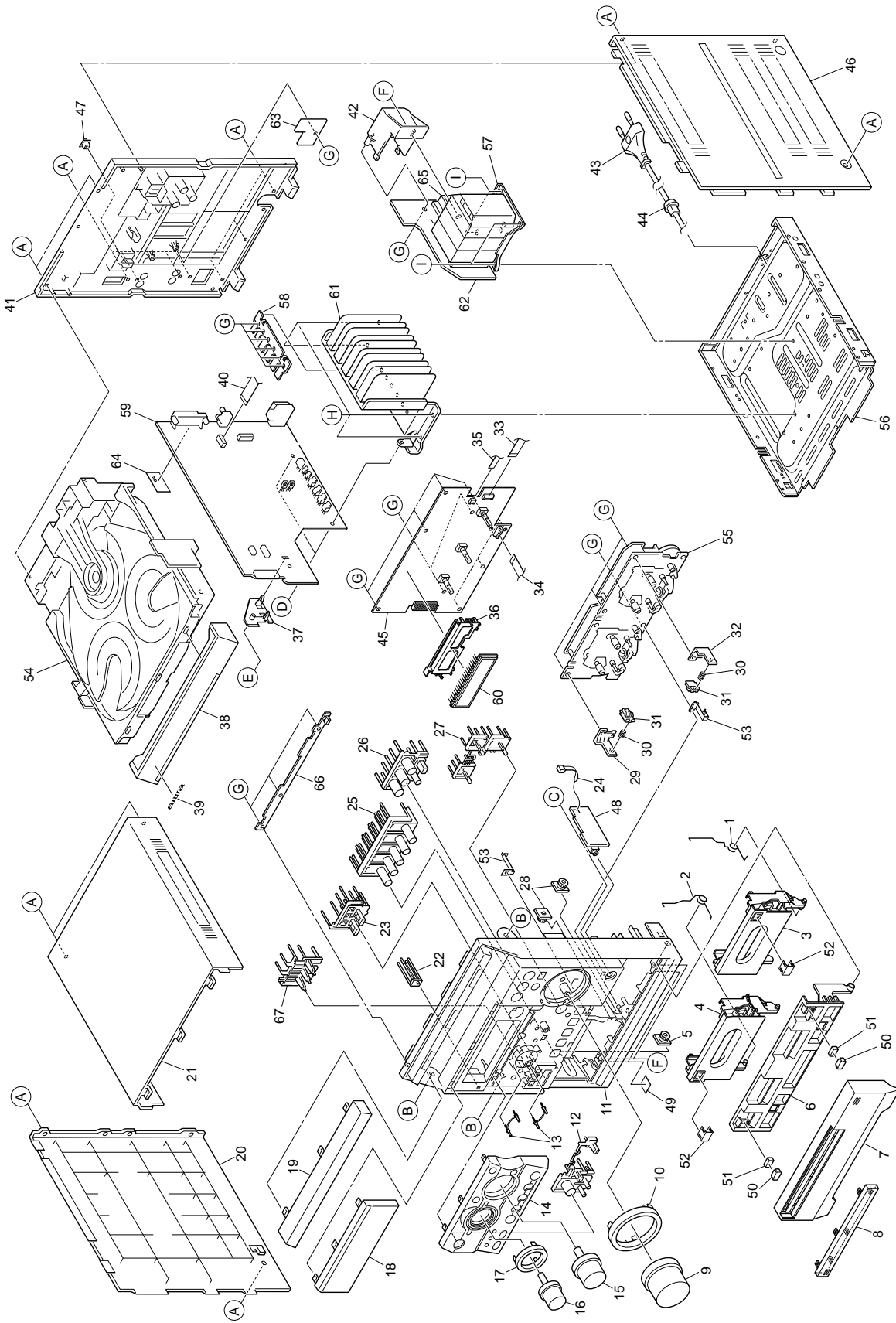


IC DESCRIPTION -1/1 (μPD780228-081-3BA) -1/2

Pin No.	Pin Name	I/O	Description
1	O-MOTOR	O	DECK MOTOR output.
2	O-SOL1	O	DECK SOL1 output.
3	O-SOL2	O	DECK SOL2 output.
4	O-LED_STB	O	STB output for shift register.
5	O-MUTE	O	MUTE output.
6	O-KSCAN	O	Initial scan output.
7	O-PLL_CE	O	TUNER chip enable output.
8	I-TM_BASE	I	Reference clock input for clock. (8Hz)
9	I-FUNC_A	I	Rotary encoder input function A.
10	I-FUNC_B	I	Rotary encoder input function B.
11	I-CAM2	I	DECK CAM2 input.
12	I-CAM1	I	DECK CAM1 input.
13	I-AUTO2	I	DECK AUTO2 input.
14	I-AUTO1	I	DECK AUTO1 input.
15	I-CST2	I	DECK CST2 input.
16	I-CST1	I	DECK CST1 input.
17	IC	–	Connected to GND.
18	VSS0	–	GND for port part.
19	VDD0	–	Power supply for port part.
20	O-POWER	O	Power control output.
21	I-JOG_A	I	Rotary encoder input A.
22	I-JOG_B	I	Rotary encoder input B.
23	I-VOL_A	I	Rotary encoder input volume A.
24	I-VOL_B	I	Rotary encoder input volume B.
25	I-SUBQ	I	CD SUBQ input.
26	I-WRQ	I	CD WRQ input.
27	I-DRF	I	CD DRF input.
28	I-RDS_CLK	I	Clock input for RDS. (Connected to GND through a resistor)
29	I-RDS_DATA	I	Input TUNER RDS DATA. (Connected to GND through a resistor)
30	RESET	–	System RESET input
31	O-DSC/O-DATA	I/O	Function IC control / DATA output.
32	O-CLK_SFT	O	Clock shift output.
33	I-IFC	I	TUNER IF count serial data input.
34	I-RMC	I	System remote control signal input.
35	I-DISH	I	CD turntable photo sensor.
36	I-STEREO	I	Tuner stereo input.
37	VDD1	–	Power supply.
38	X2	O	Main system clock output 2. (4.19 MHz)
39	X1	I	Main system clock output 1. (4.19 MHz)
40	VSS1	–	GND.
41	AVDD	–	Voltage for A/D converter.
42	I-HOLD	I	Input for HOLD.

IC DESCRIPTION -1/1 (μPD780228-081-3BA) -2/2

Pin No.	Pin Name	I/O	Description
43	I-CDSW	I	CD mechanism SW input.
44	I-SPEANA_1	I	Input spectrum analyzer DATA (Low Frequency).
45	I-SPEANA_2	I	Input spectrum analyzer DATA (Middle Frequency).
46	I-SPEANA_3	I	Input spectrum analyzer DATA (High Frequency).
47	I-KEY1	I	Key input 1.
48	I-KEY2	I	Key input 2.
49	I-TU_SIG/(I-MIC)	I	Signal LEVEL A/D input for RDS / MIC Input for auto vocal fader. (Connected to GND through a resistor)
50	AVSS	–	GND for A/D converter.
51	O-BIAS	O	DECK BIAS output.
52	O-CD_CE	O	CD chip enable output.
53	O-CD_CLK	O	CD CLK output.
54	O-CD_DATA	O	CD DATA output.
55	O-CLK	O	CLOCK output.
56 ~ 62	P32 ~ P26	O	FL segment P32 ~ P26 output.
63	P25/I-REB	I/O	FL segment P25 output / DECK REB SW input.
64	P24/I-REA	I/O	FL segment P24 output / DECK REA SW input.
65	P23/I-CAM2	I/O	FL segment P23 output / DECK CAM2 input (Not used).
66	P22/I-CAM1	I/O	FL segment P22 output / DECK CAM1 input (Not used).
67 ~ 70	P21 ~ P18	O	FL segment P21 ~ P18 output.
71	P17/AM10K	I/O	FL segment P17 output / AM10K diode input (Not used).
72	P16/AMST	I/O	FL segment P16 output / AMST diode input (Not used).
73	P15/LW	I/O	FL segment P15 output / LW diode input (Not used).
74	P14/SW	I/O	FL segment P14 output / SW diode input (Not used).
75	P13/OIRT	I/O	FL segment P13 output / OIRT diode input (Not used).
76	P12/RDS	I/O	FL segment P12 output / DECK RDS diode input (Not used).
77	P11/R+1	I/O	FL segment P11 output / DECK R+1 diode input.
78	P10/MPX	I/O	FL segment P10 output / MPX initial diode input (Not used).
79	VDD2	–	Voltage supply for FIP controller.
80	VLOAD	–	Negative voltage supply for FIP controller.
81	P9/ECO-OFF	I/O	FL segment P9 output / ECO MODE initial OFF diode input (Not used).
82	P8/KARAOKE	I/O	FL segment P8 output / KARAOKE initial diode input.
83	P7/DEMO	I/O	FL segment P7 output / DEMO diode input (Not used).
84 ~ 89	P6 ~ P1	O	FL segment P6 ~ P1 output.
90 ~ 100	G1 ~ G11	O	FL grid G1 ~ G11 output.



MECHANICAL MAIN PARTS LIST -1/1

! = Δ SAFTY PARTS
 C = Components marked

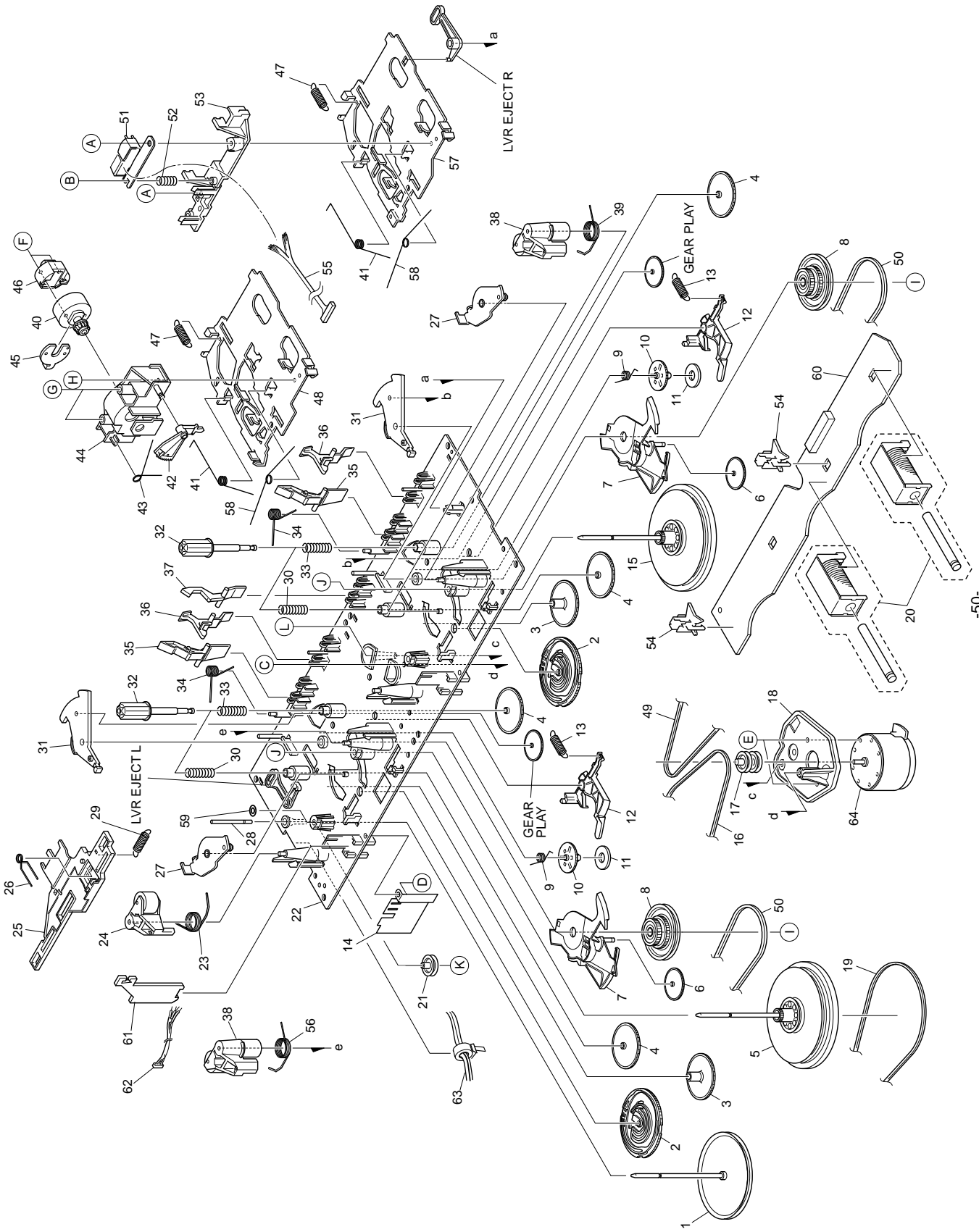
All components used on this model at the production line are shown in this service manual.
 However, please note that not all components will be available as spare parts for after-sales service.
 Components marked S and O are designated as spare parts for service and will be stocked at the spare parts centers.
 Components marked X and R are not designated as spare parts for after sales service, and will not be stocked at the spare parts centers.

UNIT-NAME	! C	REF-NO	PARTS-NO	PARTS-NAME	SUFFIX&MODEL
					CX-SNR71 EZSM
		O MC1001	8A-NF8-282-010	SPR-T, EJECT 2	a
		O MC1002	8A-NF8-281-010	SPR-T, EJECT 1	a
		O MC1003	8B-NF1-003-110	BOX, CASS 2	a
		O MC1004	8B-NF1-002-110	BOX, CASS 1	a
		O MC1005	8Z-NF6-210-010	DMPR, 150 N	a
		O MC1006	8B-NF1-008-010	BOX, DOOR	a
		O MC1007	8C-NF5-003-010	PANEL, DOOR R1	a
		O MC1008	8B-NF1-010-010	WINDOW, CASS	a
		O MC1009	8B-NF1-021-110	KNOB, RTRY VOL	a
		O MC1010	8B-NF1-023-010	PANEL, VOL	a
		O MC1011	8B-NF1-001-110	CABI, FR EZ	a
		O MC1012	8B-NF1-015-110	KEY, POWER	a
		O MC1013	8B-NF1-028-010	REFLECTOR, FUN	a
		O MC1014	8C-NF5-005-010	PANEL, FR EZ	a
		O MC1015	8B-NF1-022-110	KNOB, RTRY JOG	a
		O MC1016	8B-NF1-024-010	KNOB, RTRY FUN	a
		O MC1017	8B-NF1-025-010	WINDOW, FUN	a
		O MC1018	8C-NF6-024-010	WINDOW, DISP EZ	a
		O MC1019	8B-NF1-014-010	WINDOW, CD	a
		O MC1020	8B-NF1-005-010	PANEL, LEFT	a
					CX-SNR71 EZSM
		O MC1021	8B-NF1-007-010	PANEL, TOP	a
		O MC1022	8B-NF1-027-010	REFLECTOR, ECO	a
	X	MC1023	8C-NF5-010-010	KEY, REC EZ	a
		O MC1024	87-069-033-010	CABLE, TIE	a
		O MC1025	8C-NF5-006-010	KEY, OPE LH	a
		O MC1026	8B-NF1-016-010	KEY, CD	a
		O MC1027	8B-NF1-017-110	KEY, ENTER	a
		O MC1028	8A-NF8-209-010	OIL-DMPR, 120	a
		O MC1029	87-NF4-216-010	HLDR, LOCK 1	a
	X	MC1030	86-NF9-224-010	SPR-C, LOCK	a
		O MC1031	82-NF5-229-010	PLATE, LOCK(*)	a
		O MC1032	87-NF4-217-110	HLDR, LOCK 2	a
		O MC1033	88-908-301-110	FF-CABLE, 8P 1.25 300MM	a
		O MC1034	88-911-101-110	FF-CABLE, 11P 1.25 100MM	a
		O MC1035	88-904-201-110	FF-CABLE, 4P 1.25	a
		O MC1036	8B-NF9-207-010	GUIDE, FL 90.2-20	a
		O MC1037	8A-NF8-206-010	HLDR, PWB M	a
		O MC1038	8B-NF1-013-010	PANEL, TRAY	a
		O MC1039	87-CE3-023-010	BADGE, AIWA 30N SILV	a
		O MC1040	88-906-251-110	FF-CABLE, 6P 1.25	a
					CX-SNR71 EZSM
		O MC1041	8C-NF6-016-010	CABI, REAR EZSM	a
		O MC1042	8B-NF1-203-010	HLDR, PWB PT	a
	!	X MC1043	87-A80-157-010	AC CORD ASSY, E BLK CC	a
		O MC1044	87-085-185-010	BUSHING, AC CORD (E) CM-22B	a
	X	MC1045	8C-NF5-621-010	PWB, FRONT CNF-5	a
		O MC1046	8B-NF1-006-010	PANEL, RIGHT	a
		O MC1047	84-ZG1-245-210	CAP, OPTICAL	a
	X	MC1048	8C-NF5-643-010	PWB, HP1 EZ/K	a
	X	MC1049	8B-NF9-204-010	CUSH, 11-8.5-2	a
		O MC1050	8B-NF1-209-010	COVER, MAGNET	a
		O MC1051	8B-NF1-206-010	MAGNET, BOX 11-6-4	a
		O MC1052	8B-NF1-207-010	PLATE, BOX	a
	X	MC1053	87-NF4-218-010	PLATE, EARTH MECHA	a
	X	MC1054	M8-BZG-581-130	BZG-5 ZD5GNDM	a
	X	MC1055	M8-6ZM-39C-130	6ZM-3 PR4NM	a
	X	MC1056	8C-NF5-206-010	CHAS, MAIN CM 66-70	a
	!	O MC1057	8C-NF6-608-010	PT, CNF-6 EZ	a
	X	MC1058	8C-NF5-204-010	HLDR, TR 6	a
	X	MC1059	8C-NF5-641-010	PWB, MAIN EZ/K	a
		O MC1060	8C-NF5-603-010	PL, HUA-11MM42T	a
					CX-SNR71 EZSM
	X	MC1061	8C-NF5-215-110	HT-SINK, MAINS (H)	a
	X	MC1062	8C-NF5-642-010	PWB, PT EZ/K	a
	X	MC1063	8C-NF5-646-010	PWB, HLDR WIRE1 EZ/K	a
	X	MC1064	8C-ZA3-618-010	SHLD-CASE, CZA-3 EZ S	a
	!	O MC1065	8B-MA6-675-010	PT, SUB BMA E (VRK)	a
	X	MC1066	8C-NF5-622-010	PWB, CD LED CNF-5	a
	X	MC1067	8B-NF1-020-010	KEY, RDS	a
	O	MC1A	87-B10-091-010	UTT2+3-10 W/O SLOT BLK	a
	O	MC1B	87-721-096-410	QT2+3-10 W/O SLOT	a
	O	MC1C	88-AR1-217-010	S-SCREW, BFT2+3-8	a
	O	MC1D	87-NF4-224-010	S-SCREW, IT3B+3-8 CU	a
	O	MC1E	8C-NF5-222-010	W, 4-7-0.65 W/ADH	a
	O	MC1F	87-067-579-010	BVT2+3-8 W/O SLOT	a
	O	MC1G	87-067-703-010	BVT2+3-10 W/O SLOT	a
	O	MC1H	87-B10-315-010	BVIT3B+3-8 R W/O	a
	O	MC1I	87-078-200-010	S-SCREW, ITC+4-8 R	a

COLOR NAME TABLE -1/1

Basic color symbol	Color	Basic color symbol	Color	Basic color symbol	Color
B	Black	C	Cream	D	Orange
G	Green	H	Gray	L	Blue
LT	Transparent Blue	N	Gold	P	Pink
R	Red	S	Silver	ST	Titan Silver
T	Brown	V	Violet	W	White
WT	Transparent White	Y	Yellow	YT	Transparent Yellow
LM	Metallic Blue	LL	Light Blue	GT	Transparent Green
LD	Dark Blue	DT	Transparent Orange	GM	Metallic Green
YM	Metallic Yellow	DM	Metallic Orange	PT	Transparent Pink
LA	Aqua Blue	GL	Light Green	HT	Transparent Gray
HM	Metallic Gray	NH	Champagne Gold	M	Wood Pattern

TAPE MECHANISM EXPLODED VIEW -1/1 <6ZM-3 PR4NM>



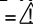
TAPE MECHANISM PARTS LIST -1/2 <6ZM-3 PR4NM>

! = Δ SAFETY PARTS
 C = Components marked

All components used on this model at the production line are shown in this service manual.
 However, please note that not all components will be available as spare parts for after-sales service.
 Components marked S and O are designated as spare parts for service and will be stocked at the spare parts centers.
 Components marked X and R are not designated as spare parts for after sales service, and will not be stocked at the spare parts centers.

UNIT-NAME	! C	REF-NO	PARTS-NO	PARTS-NAME	SUFFIX&MODEL	
					6ZM-3 PR4NM	
		O	ST1001	82-ZM1-234-310	FLY-WHL, L ASSY	a
		X	ST1001a	82-ZM1-348-110	FLY-WHL, L W	a
		X	ST1001b	82-ZM1-236-010	CAPSTAN, 2-41.5	a
		O	ST1002	82-ZM3-305-310	GEAR, CAM M2	a
		O	ST1003	82-ZM1-226-010	GEAR, REW	a
		O	ST1004	82-ZM1-216-510	GEAR, REEL	a
		O	ST1005	09-001-420-010	FLY-WHL, R ASSY	a
		X	ST1005a	82-ZM3-338-310	FLY-WHL, R3W	a
		X	ST1005b	82-ZM1-239-010	CAPSTAN, 2.2-41.7	a
		O	ST1006	82-ZM1-225-210	GEAR, FR	a
		O	ST1007	82-ZM3-306-110	LVR, FR M2	a
		O	ST1008	82-ZM3-333-310	SLIP DISK ASSY 2	a
		X	ST1008a	82-ZM3-332-310	PULLEY, FR 2	a
		X	ST1008b	82-ZM1-230-110	GEAR, TAKE UP	a
		X	ST1008c	82-ZM1-231-010	CLR, SLIP	a
		X	ST1008d	82-ZM1-232-010	FELT, DIA 8.4-13-1	a
		X	ST1008e	82-ZM1-233-110	SPR-C, SLIP	a
		O	ST1009	82-ZM1-322-010	SPR-T, FR 60	a
		O	ST1010	82-ZM1-220-210	GEAR, IDLER	a
		O	ST1011	82-ZM3-616-010	RING MAGNET 4	a
					6ZM-3 PR4NM	
		O	ST1012	82-ZM1-227-310	LVR, TRIG	a
		O	ST1013	82-ZM1-265-310	SPR-E, TRIG	a
		X	ST1014	85-ZM3-201-210	PLATE, SHLD M3	a
		O	ST1015	82-ZM1-237-610	FLY-WHL ASSY, R	a
		X	ST1015a	82-ZM1-349-110	FLY-WHL, R W	a
		X	ST1015b	82-ZM1-239-010	CAPSTAN, 2.2-41.7	a
		O	ST1016	86-ZM3-210-010	BELT, PS	a
		O	ST1017	82-ZM3-221-210	PULLEY, MOT 2M	a
		O	ST1018	86-ZM3-203-010	HLD, MOT S	a
		O	ST1019	86-ZM1-206-010	BELT, MAIN L	a
		O	ST1020	82-ZM3-627-010	SOL ASSY, 27 SO	a
		X	ST1020a	82-ZM3-629-010	HLD, BOBBIN SOL SO	a
		X	ST1020b	82-ZM3-630-010	YOKE, SOL SO	a
		X	ST1020c	82-ZM3-631-010	SHAFT, CORE SOL SO	a
		X	ST1020d	82-ZM3-632-010	SHAFT, PLUNGER SOL SO	a
		X	ST1020e	82-ZM3-633-010	TERMINAL, SOL SO	a
		O	ST1021	82-ZM3-335-310	PULLEY, COUPLER M3	a
		O	ST1022	86-ZM3-215-110	CHAS ASSY, RS	a
		X	ST1022a	82-ZM1-317-210	OILLESS-BRG 2.2RN	a
		X	ST1022b	82-ZM1-318-210	OILLESS-BRG 2LN	a
					6ZM-3 PR4NM	
		X	ST1022c	82-ZM3-302-610	OUT-SERT ASSY, M2	a
		X	ST1022d	82-ZM3-303-210	CHAS, M2	a
		O	ST1023	82-ZM1-258-210	SPR-T, PINCH L	a
		O	ST1024	82-ZM3-348-010	LEVER ASSY, PINCH YL	a
		X	ST1024a	82-ZM3-349-010	LEVER, PINCH YL	a
		X	ST1024b	82-ZM3-345-010	ROLLER ASSY, Y	a
		X	ST1024c	82-ZM3-346-010	CLR, ROLLER Y	a
		X	ST1024d	82-ZM3-347-010	ROLLER, RUBBER Y	a
		O	ST1025	82-ZM1-266-310	LVR, DIR	a
		O	ST1026	82-ZM1-214-010	SPR-T, DIR	a
		O	ST1027	82-ZM1-333-210	PLATE, LINK2	a
		O	ST1028	82-ZM3-339-110	SHAFT, COUPLER N3	a
		O	ST1029	82-ZM1-255-310	SPR-E, LVR DIR	a
		O	ST1030	82-ZM1-285-410	SPR-C, BT L	a
		O	ST1031	82-ZM1-222-310	LVR, PLAY	a
		O	ST1032	82-ZM1-217-410	REEL, TABLE	a
		O	ST1033	82-ZM1-244-510	SPR-C, BT	a
		O	ST1034	82-ZM1-257-010	SPR-T, CAS	a
		O	ST1035	82-ZM1-242-010	LVR, CAS	a
		O	ST1036	82-ZM1-243-010	LVR, STOP	a
					6ZM-3 PR4NM	
		O	ST1037	82-ZM1-240-110	LVR, REC	a
		O	ST1038	82-ZM3-343-010	LEVER ASSY, PINCH YR	a
		X	ST1038a	82-ZM3-344-010	LEVER, PINCH YR	a
		X	ST1038b	82-ZM3-345-010	ROLLER ASSY, Y	a
		X	ST1038c	82-ZM3-346-010	CLR, ROLLER Y	a
		X	ST1038e	82-ZM3-347-010	ROLLER, RUBBER Y	a
		O	ST1039	86-ZM3-204-010	SPR-T, PINCH S	a
		O	ST1040	82-ZM1-208-310	HLD, HEAD	a
		O	ST1041	82-ZM1-219-110	SPR-T, LINK	a
		O	ST1042	82-ZM1-210-110	GEAR, H T	a
		O	ST1043	82-ZM3-353-010	SPR-T, HEAD 2	a
		O	ST1044	82-ZM1-207-910	GUIDE, TAPE	a
		O	ST1045	82-ZM1-314-110	PLATE, HEAD	a
		O	ST1046	87-A92-196-010	HEAD, PH HADKH2604A FPC	a
		X	ST1046a	85-ZM3-602-010	PWB, FLEX A	a
		O	ST1047	82-ZM1-218-010	SPR-E, HB	a
		O	ST1048	82-ZM1-206-910	CHAS, HEAD	a
		O	ST1049	86-ZM3-214-110	BELT, SBU RR	a
		O	ST1050	82-ZM1-338-110	BELT, FR 4	a
		O	ST1051	87-A92-195-010	HEAD, RPH HASVH5507A	a

TAPE MECHANISM PARTS LIST -2/2 <6ZM-3 PR4NM>

! =  SAFETY PARTS
 C = Components marked

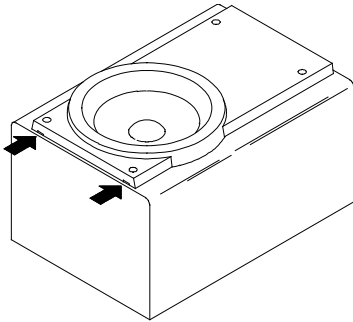
All components used on this model at the production line are shown in this service manual.
 However, please note that not all components will be available as spare parts for after-sales service.
 Components marked S and O are designated as spare parts for service and will be stocked at the spare parts centers.
 Components marked X and R are not designated as spare parts for after sales service, and will not be stocked at the spare parts centers.

UNIT-NAME	! C	REF-NO	PARTS-NO	PARTS-NAME	SUFFIX&MODEL
					6ZM-3 PR4NM
	O	ST1052	86-ZM3-222-010	SPR-C,RPH S2	a
	O	ST1053	86-ZM3-202-210	BASE,HEAD S	a
	O	ST1054	82-ZM3-351-010	HLDR, IC 2	a
	O	ST1055	86-ZM3-605-110	CONN ASSY,8P -RPB	a
	O	ST1056	82-ZM1-259-310	SPR-T,PINCH R	a
	O	ST1057	86-ZM3-201-010	CHAS,HEAD S	a
	O	ST1058	82-ZM1-269-210	SPR-T,BRG	a
	O	ST1059	82-ZM1-288-010	SH,1.63-3.2-0.5 SLT	a
	X	ST1060	86-ZM3-602-110	PWB,MAIN S	a
	X	ST1061	86-ZM3-603-110	PWB,HEAD S	a
	O	ST1062	85-MA2-615-010	CONN ASSY,3P PH	a
	O	ST1063	87-069-033-010	CABLE,TIE	a
	O	ST1064	87-A92-321-010	MOT,SHU2L 60	a
	O	ST1A	86-ZM3-207-010	S-SCREW,RPH	a
	O	ST1B	86-ZM3-209-010	S-SCREW,AZIMUTH S	a
	O	ST1C	87-761-073-410	VFT2+2.6-6 W/O SLOT	a
	O	ST1D	82-ZM3-222-010	S-SCREW,SHILD PLATE	a
	O	ST1E	87-251-071-410	U+2.6-4	a
	O	ST1F	80-ZM6-207-010	V+1.6-7	a
	O	ST1G	86-ZM4-206-110	S-SCREW,AZIMUTH L	a
					6ZM-3 PR4NM
	O	ST1H	85-ZM3-202-010	S-SCREW,TG	a
	O	ST1I	82-ZM3-334-010	PW,2.16-6-0.4	a
	O	ST1J	80-ZM6-243-010	SH 1.75-3.6-0.5 SLT	a
	O	ST1K	87-B10-043-010	W-P,0.99-4-0.25 SLT	a
	O	ST1L	86-ZM3-213-010	S-SCREW,HLDR MOT S	a

GENERAL SPEAKER DISASSEMBLY INSTRUCTIONS (FOR REFERENCE) -1/1

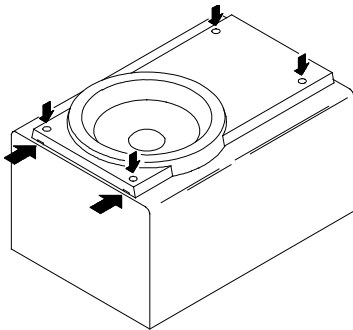
Type.1

Insert a flat-bladed screwdriver into the position indicated by the arrows and remove the panel. Remove the screws of each speaker unit and then remove the speaker units.



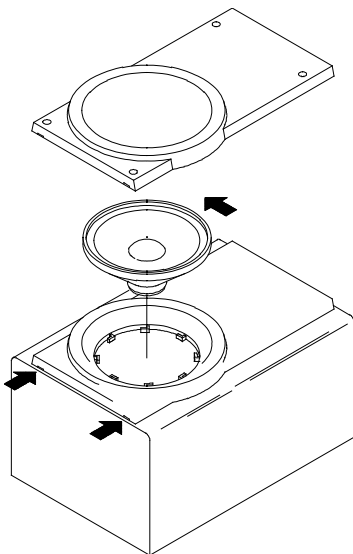
Type.2

Remove the grill frame and four pieces of rubber caps by pulling out with a flat-bladed screwdriver. Remove the screws from hole where installed rubber caps. Insert a flat-bladed screwdriver into the position indicated by the arrows and remove the panel. Remove the screws of each speaker unit and then remove the speaker units.

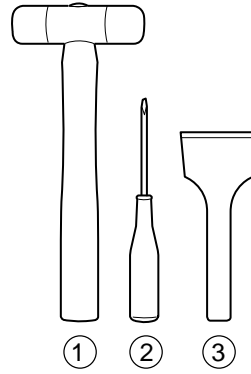


Type.3

Insert a flat-bladed screwdriver into the position indicated by the arrows and remove the panel. Turn the speaker unit to counter-clockwise direction while inserting a flat-bladed screwdriver into one of the hollows around speaker unit, and then remove the speaker unit. After replacing the speaker unit, install it turning to clockwise direction until "click" sound comes out.



Type.4



TOOLS

- ① Plastic head hammer
- ② ⊖ flat head screwdriver
- ③ Cut chisel

How to Remove the PANEL, FR

1. Insert the ⊖ flat head screwdriver tip into the gap between the PANEL, FR and the PANEL, SPKR. Tap the head of the ⊖ flat head screwdriver with the plastic hammer head, and create the clearance as shown in Fig-1.
2. Insert the cut chisel in the clearance, and tap the head of the cut chisel with plastic hammer as shown in Fig-2, to remove the PANEL, FR.
3. Place the speaker horizontally. Tap head of the cut chisel with plastic hammer as shown in Fig-3, and remove the PANEL, FR completely.

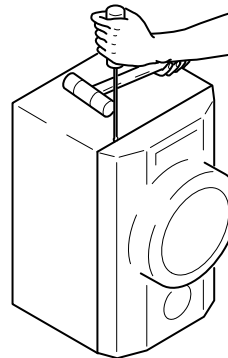


Fig-1

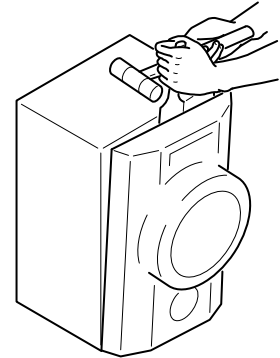


Fig-2

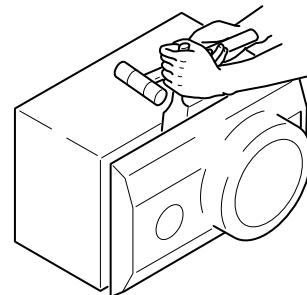


Fig-3

How to Attach the PANEL, FR

Attach the PANEL, FR to the PANEL, SPKR. Tap the four corners of the PANEL, FR with the plastic hammer to fit the PANEL, FR into the PANEL, SPKR completely.

SPEAKER PARTS LIST -1/1 <SX-NR70>

- ! = Δ SAFTY PARTS
- C = Components marked

All components used on this model at the production line are shown in this service manual.
 However, please note that not all components will be available as spare parts for after-sales service.
 Components marked S and O are designated as spare parts for service and will be stocked at the spare parts centers.
 Components marked X and R are not designated as spare parts for after sales service, and will not be stocked at the spare parts centers.

UNIT-NAME	! C	REF-NO	PARTS-NO	PARTS-NAME	SUFFIX&MODEL
					SX-SNR70
					YSN
	O	SP1001	88-NSK-610-010	SPKR, CERAMIC ASSY	a
	X	SP1002	8A-NSJ-006-010	BADGE, AIWA S35	a
	X	SP1003	8B-NSA-003-010	PANEL, BA R	a
	X	SP1004	8B-NSA-004-010	PANEL, BA L	a
	X	SP1005	8B-NSH-612-010	CORD, SPKR	a
	O	SP1006	8B-NSK-604-010	SPKR, T 60	a
	X	SP1007	8C-NS6-001-010	PANEL, FR L	a
	X	SP1008	8C-NS6-002-010	PANEL, FR R	a
	X	SP1009	8C-NS6-003-010	PROTECTOR, W	a
	X	SP1010	8C-NS6-011-010	LBL, SPEC YS R	a
	X	SP1011	8C-NS6-012-010	LBL, SPEC YS L	a
	O	SP1012	8C-NS7-602-010	SPKR, W 160 30/4	a
	X	SP1013	8Z-NS3-026-010	CORD, BUSH L	a
	X	SP1014	8C-NS6-851-010	CUSHION, ASSY TTT	a
	X	SP1015	PC-NS6-943-070	SX-SNR70 YSN	a

OTHER PARTS LIST -1/2

! = Δ SAFTY PARTS
 C = Components marked

All components used on this model at the production line are shown in this service manual.
 However, please note that not all components will be available as spare parts for after-sales service.
 Components marked S and O are designated as spare parts for service and will be stocked at the spare parts centers.
 Components marked X and R are not designated as spare parts for after sales service, and will not be stocked at the spare parts centers.

UNIT-NAME	! C	REF-NO	PARTS-NO	PARTS-NAME	SUFFIX&MODEL
					CX-SNR71 EZSM
	X		8B-NF1-213-010	SH, 12.5-17.5-0.07 W/ADH	a
	X		87-B40-057-010	BAG, PP 0.03-150-200	a
	X		87-B40-098-010	BAG, PV 0.025-650-750 PL	a
	X		8C-NF5-854-110	CUSHION, FRONT M	a
	X		8C-NF5-855-110	CUSHION, REAR M	a
	X		93-704-337-010	SH, FOAMED-MAT 0.31-800-500	a
	X		87-B40-085-010	BAG, PV 0.04-200-350 PL	a
	X		87-B50-079-010	LIST, FACILITY (B)-0007	a
	X		87-056-168-010	SH, CAUTION INF-WARR (EC)	a
	X		8C-NF6-972-010	LBL, POP EZ	a
	X		87-B40-281-010	LBL, BAR-CODE A 35X8	a
	X		87-057-995-010	LBL, CAUTION EFSO	a
	X		87-057-961-010	LBL, CAUTION TRIANGLE	a
	X		8B-NF1-029-010	SH, FL	a
	X		87-B40-447-010	SH, 28-10-0.35 W/ADH	a
	X		8B-NF1-031-110	SH, CD	a
	X		8B-NF1-214-010	SH, FFC	a
	X		8B-NF1-032-010	SH, LED	a

OTHER PARTS LIST -2/2 <TAPE MECHANISM 6ZM-3 PR4NM>

- ! = Δ SAFTY PARTS
- C = Components marked

All components used on this model at the production line are shown in this service manual.
 However, please note that not all components will be available as spare parts for after-sales service.
 Components marked S and O are designated as spare parts for service and will be stocked at the spare parts centers.
 Components marked X and R are not designated as spare parts for after sales service, and will not be stocked at the spare parts centers.

UNIT-NAME	! C	REF-NO	PARTS-NO	PARTS-NAME	SUFFIX&MODEL
					6ZM-3 PR4NM
	X		82-ZM3-987-010	BAG, PV 0.04-300-210	a



アイワ株式会社 〒110-8710 東京都台東区池之端1-2-11 ☎03(3827)3111 (代表)
AIWA CO.,LTD. 2-11, IKENOHATA 1-CHOME, TAITO-KU, TOKYO 110-8710, JAPAN TEL:03 (3827) 3111

0251431