

# SERVICE MANUAL

CD STEREO SYSTEM

BASIC TAPE MECHANISM : 2ZM-3MK2 PR7NM1  
BASIC CD MECHANISM : BZG-5 ZD5GNM1

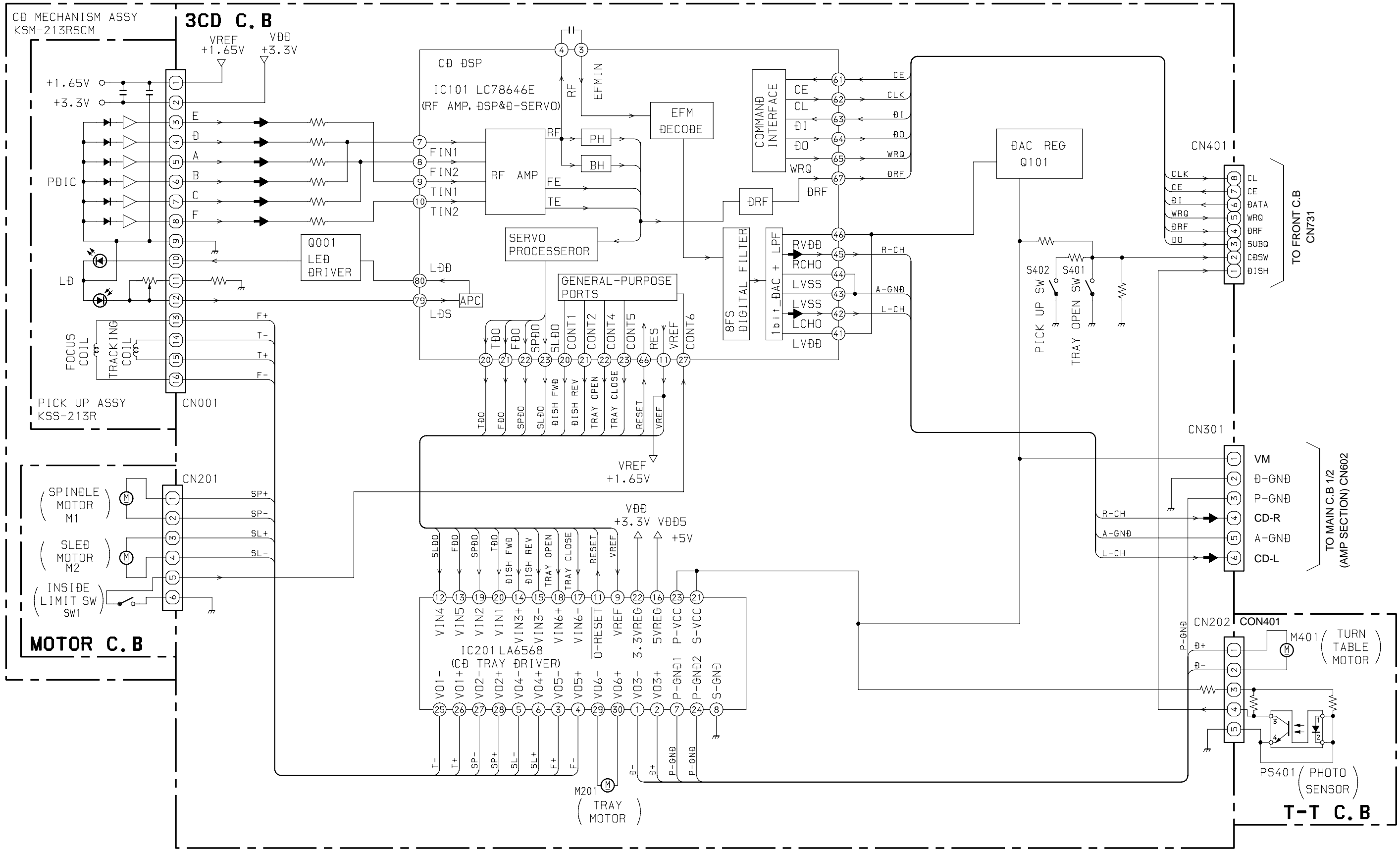
SYSTEM	CD CASSEIVER	SPEAKER	REMOTE CONTROLLER
NSX-R82	CX-NR82	SX-NR80	RC-CAS01
		SX-R165	

# aiwa

S/M Code No. 09-02A-455-1N4



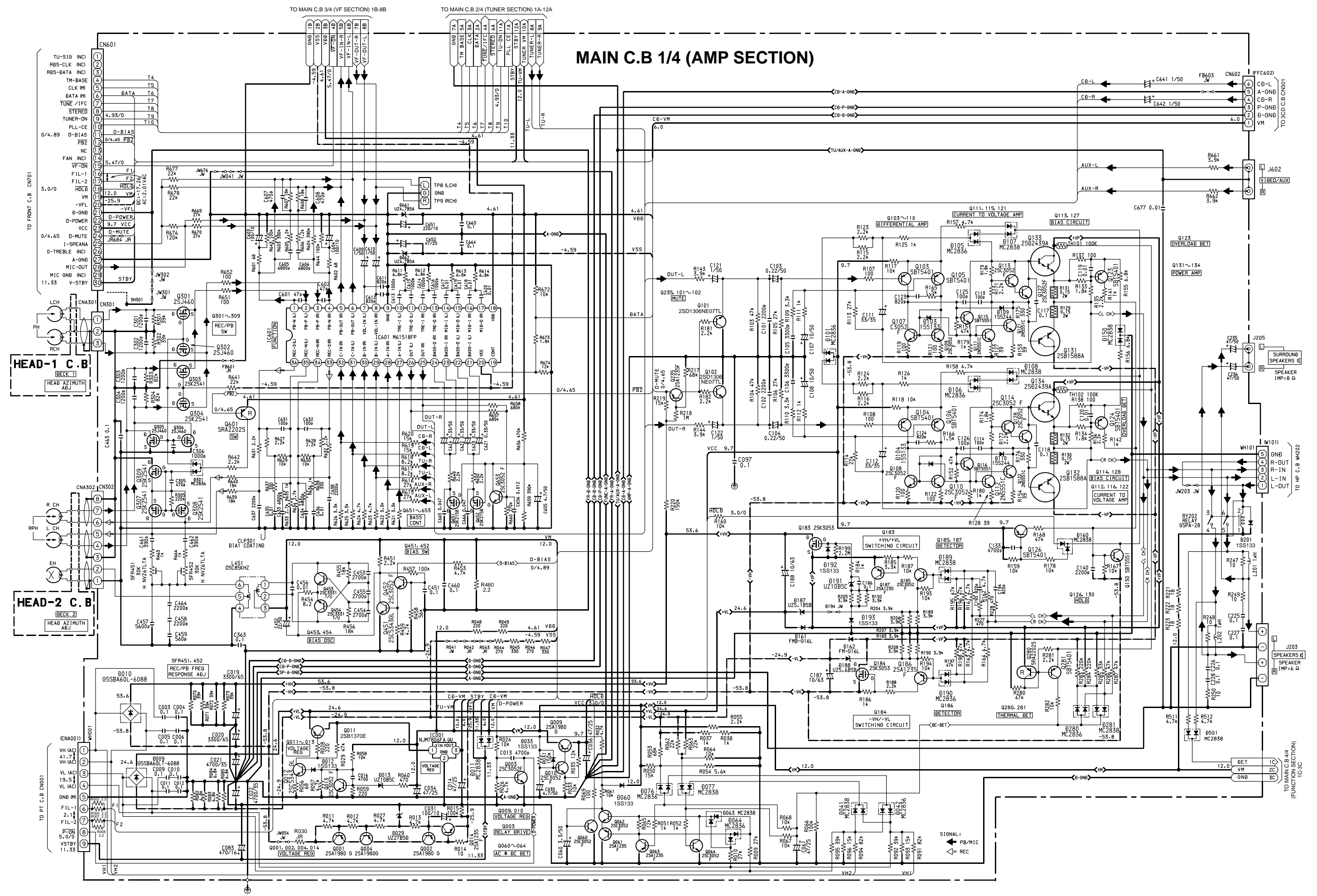
BLOCK DIAGRAM - 1/1 (CD SECTION)



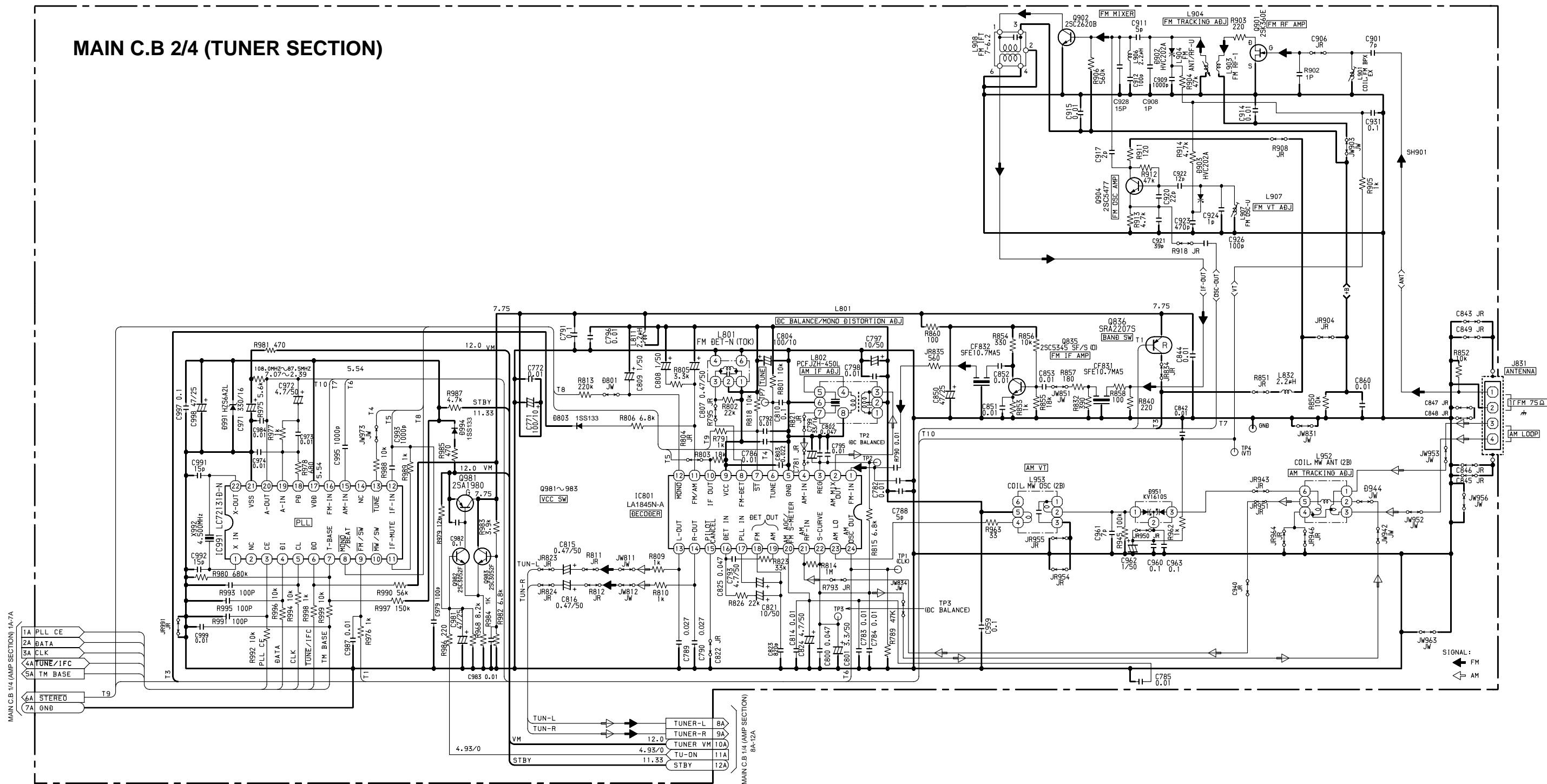
SIGNAL → : ANALOG AUDIO  
→ : DIGITAL AUDIO

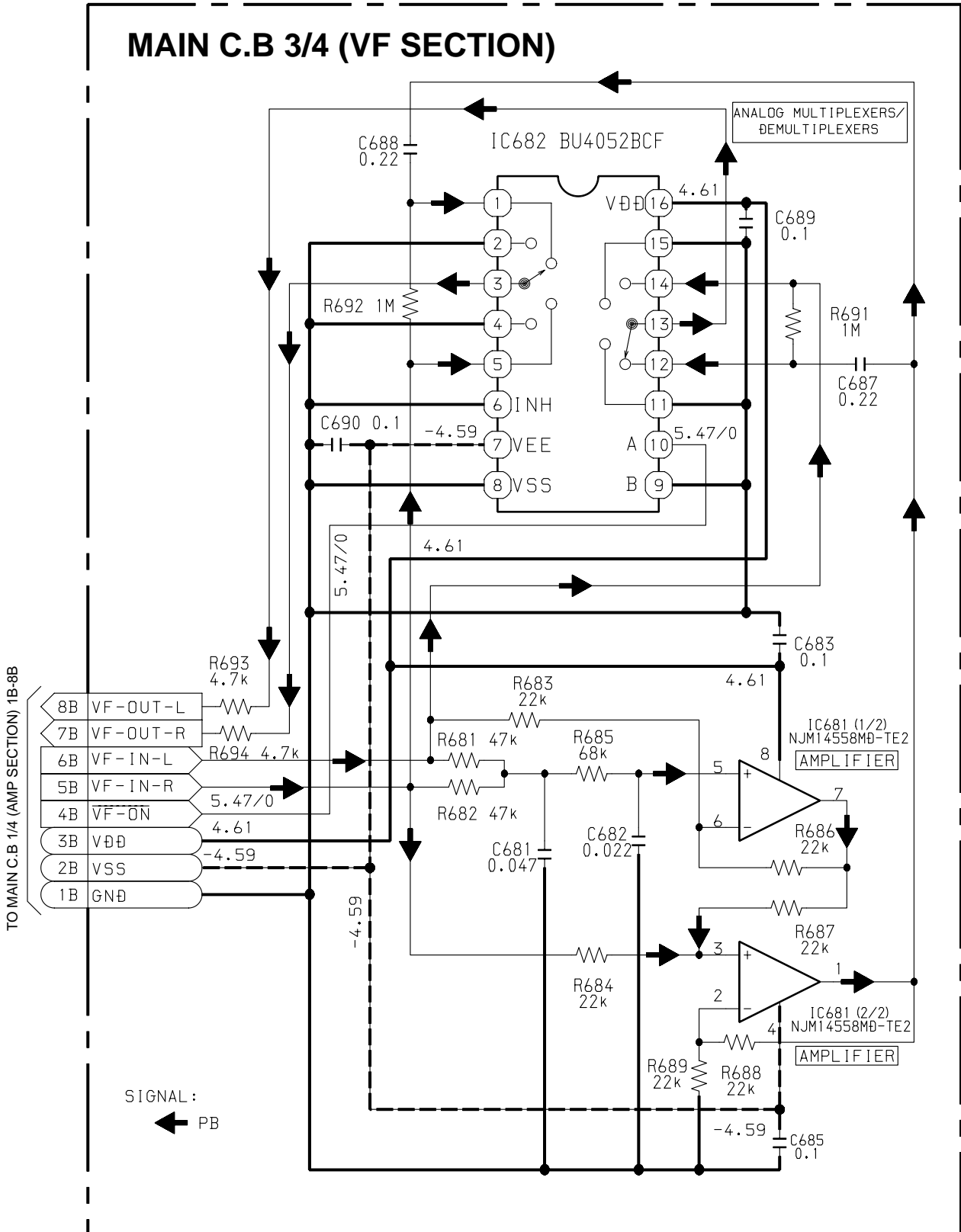
SCHEMATIC DIAGRAM - 1/7 (MAIN -1/4, AMP SECTION)

MAIN C.B 1/4 (AMP SECTION)

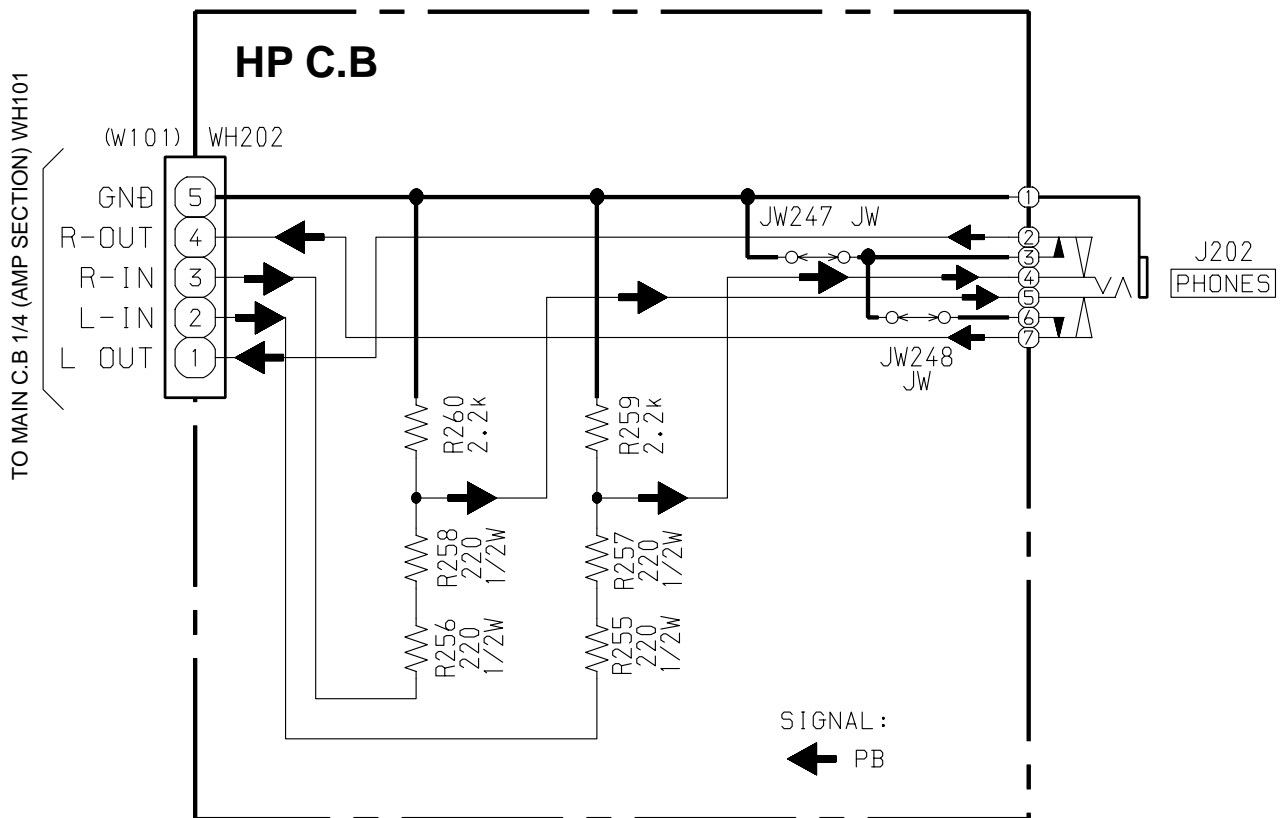
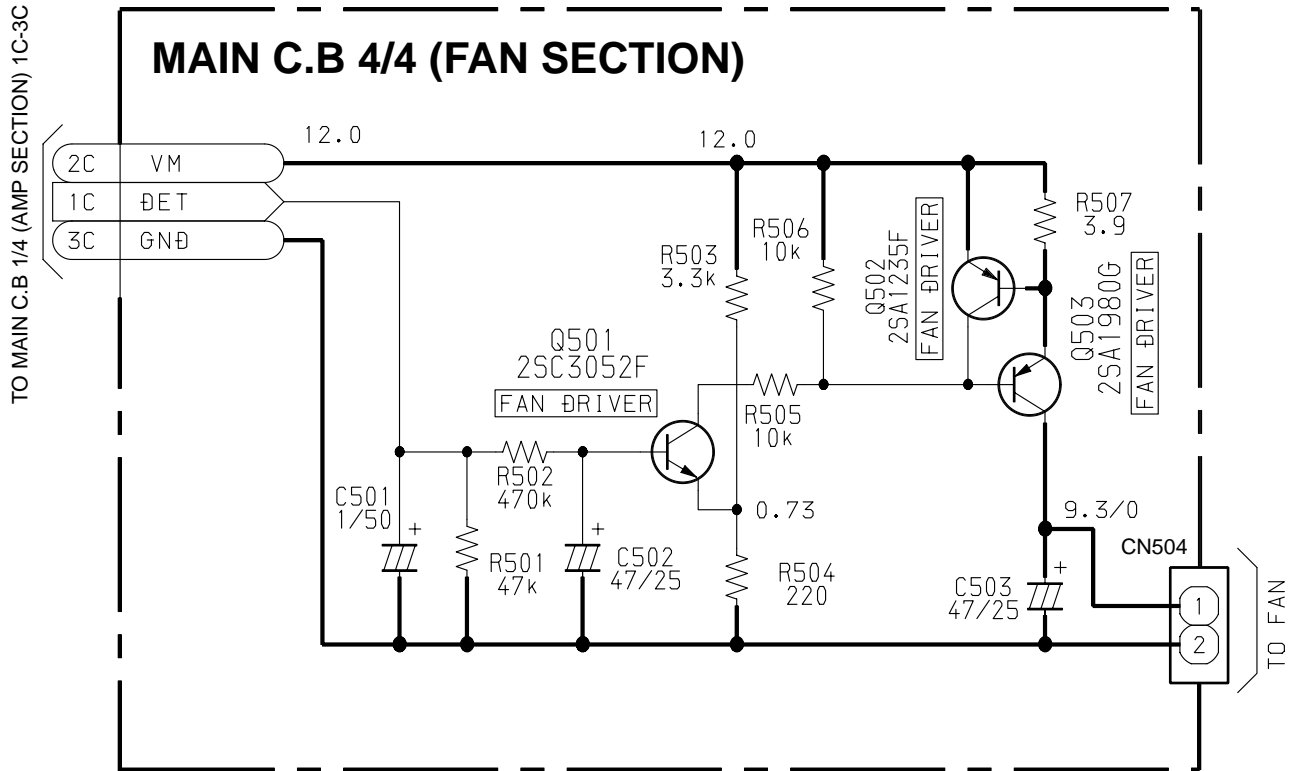


### MAIN C.B 2/4 (TUNER SECTION)

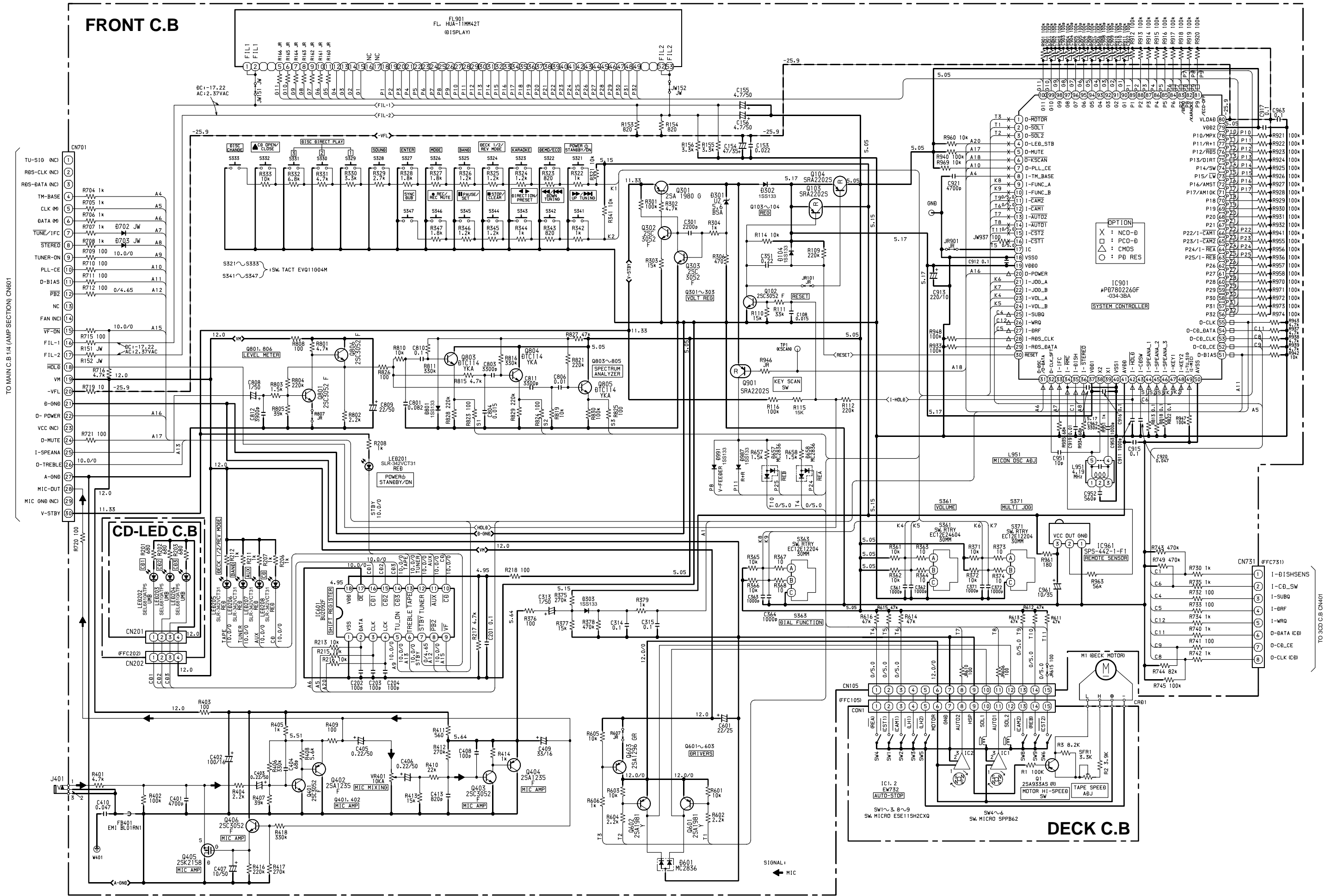




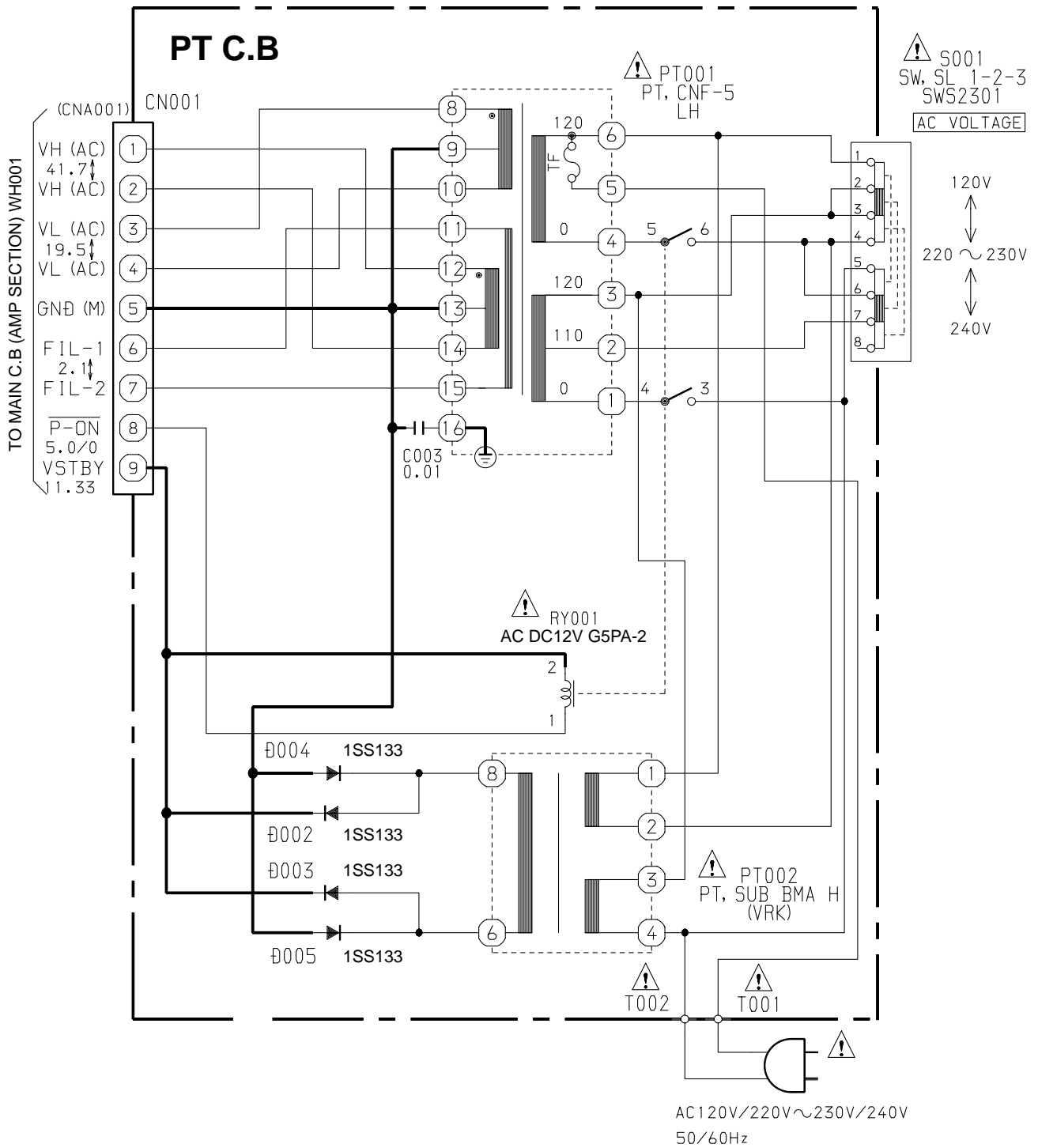
SCHEMATIC DIAGRAM -4/7 (MAIN-4/4, FAN/HP SECTION)



SCHEMATIC DIAGRAM - 5/7 (FRONT/CD-LED/DECK SECTION)

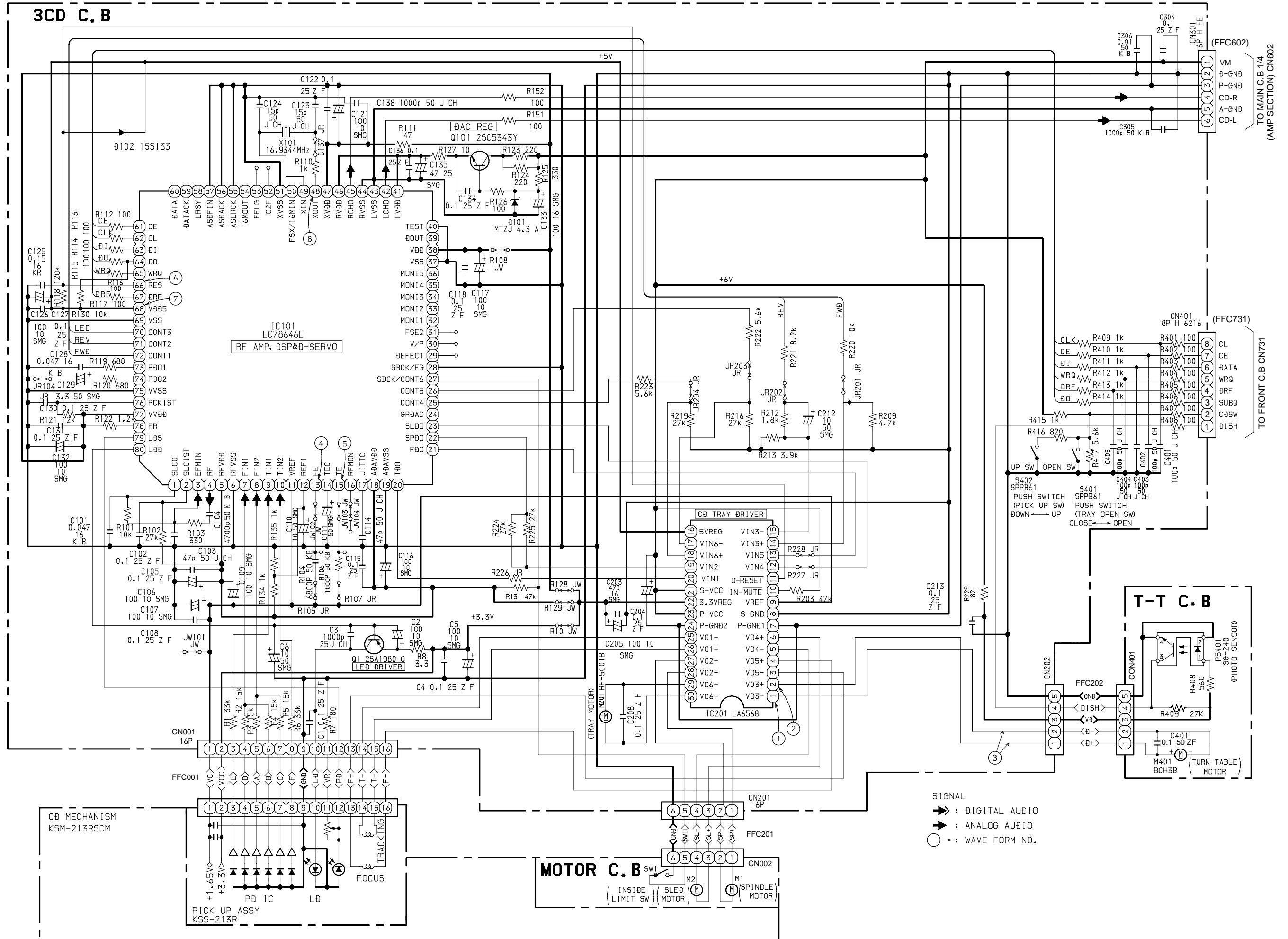


SCHEMATIC DIAGRAM -6/7 (PT SECTION)





SCHEMATIC DIAGRAM - 7/7 (3CD/T-T SECTION)



SIGNAL  
 → : DIGITAL AUDIO  
 → : ANALOG AUDIO  
 ○ : WAVE FORM NO.



**アイワ株式会社** 〒110-8710 東京都台東区池之端1-2-11 ☎03(3827)3111 (代表)  
**AIWA CO.,LTD.** 2-11, IKENOHATA 1-CHOME, TAITO-KU, TOKYO 110-8710, JAPAN TEL:03 (3827) 3111