

# SERVICE MANUAL

CD STEREO SYSTEM

BASIC TAPE MECHANISM : 2ZM-3MK2 PR7NM  
BASIC VCD MECHANISM : BZG-2 MVSD5GNM

SYSTEM	CD CASSEIVER	SPEAKER	REMOTE CONTROLLER
NSX-RV85	CX-NRV85	SX-NR80	RC-CAS12

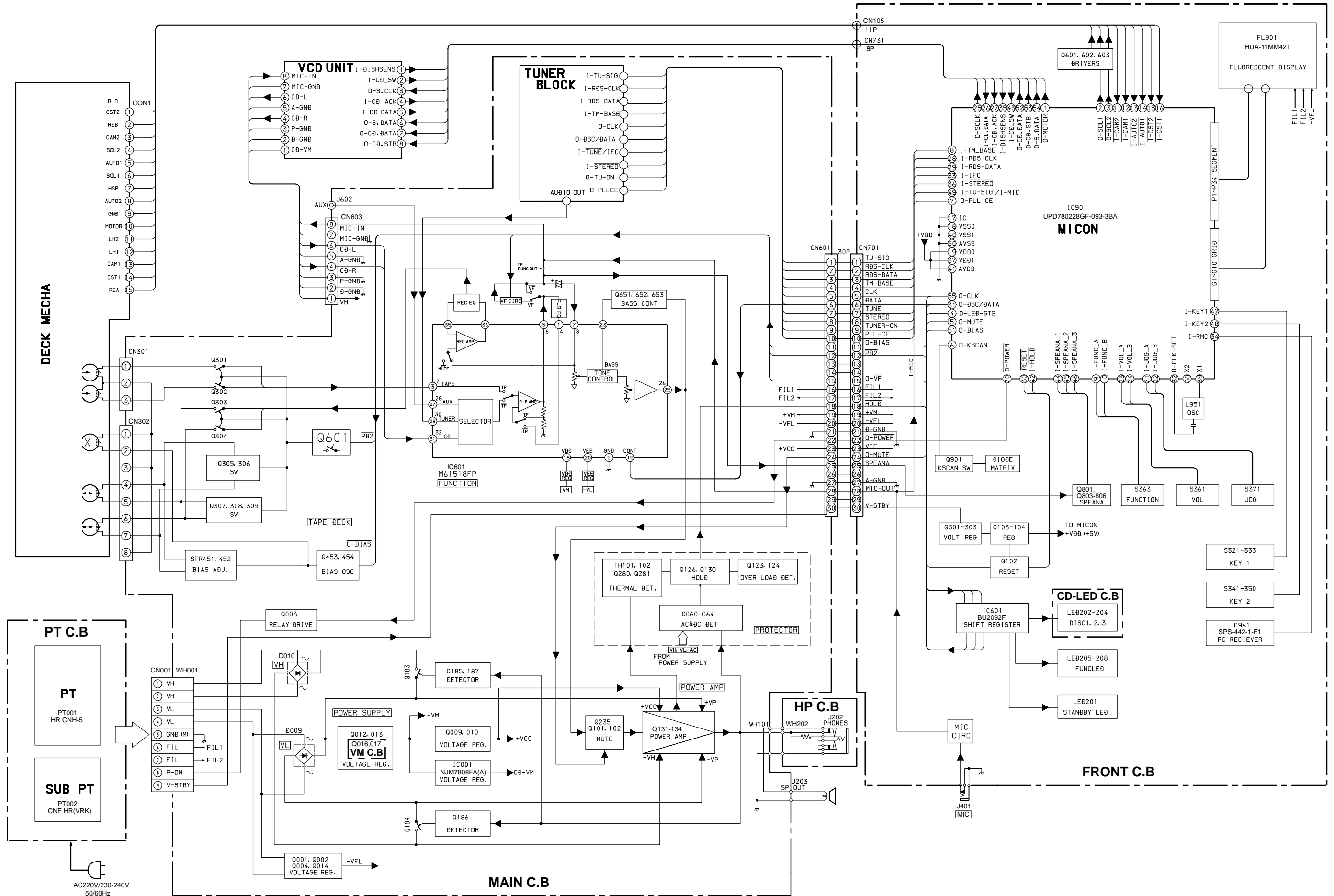
If requiring information about the VCD mechanism, see Service Manual of BZG-2 MVSD5GNM, (S/M Code No. 09-023-353-2NC).

# aiwa

S/M Code No. 09-028-363-4N1

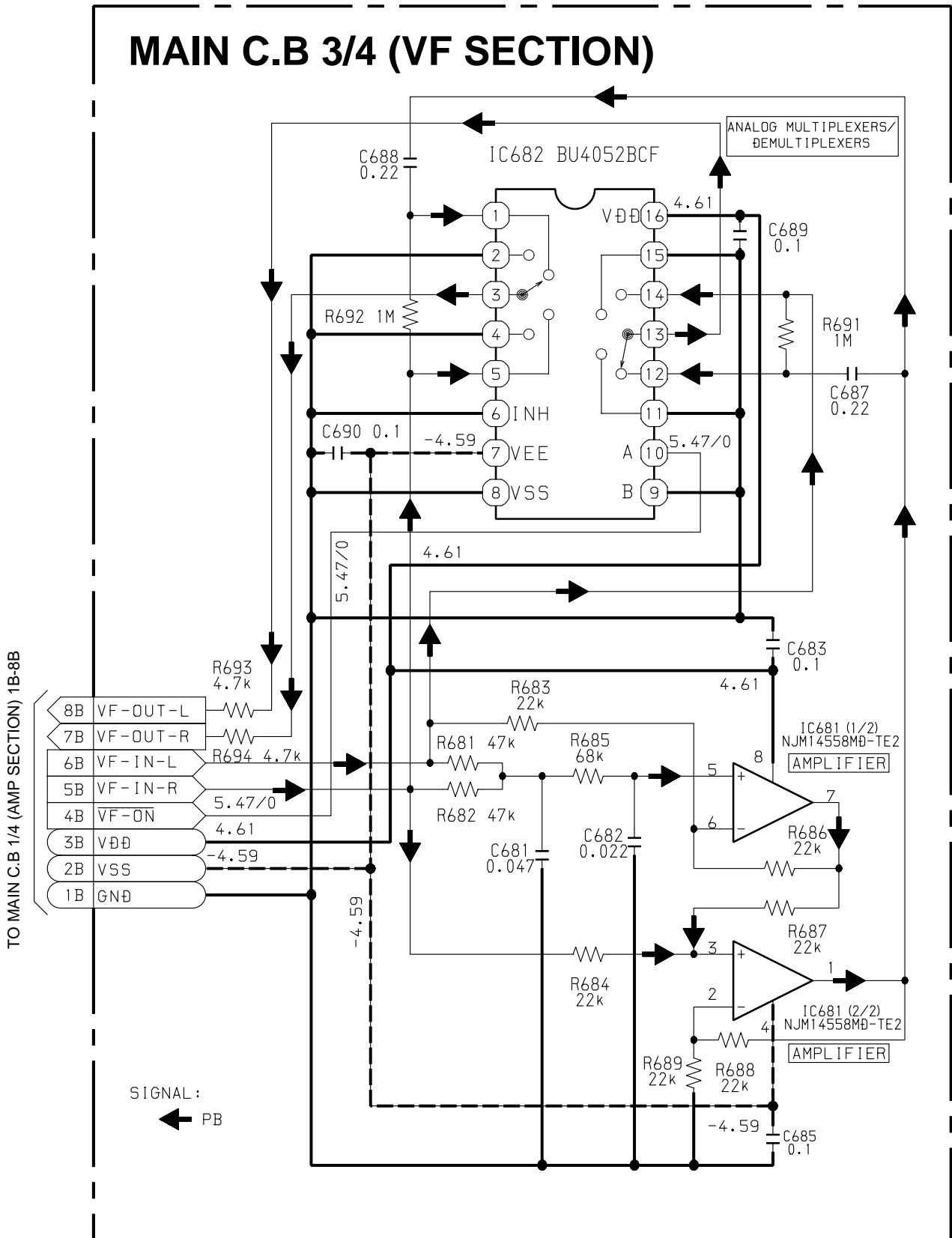


BLOCK DIAGRAM - 1/1 (OVERALL)

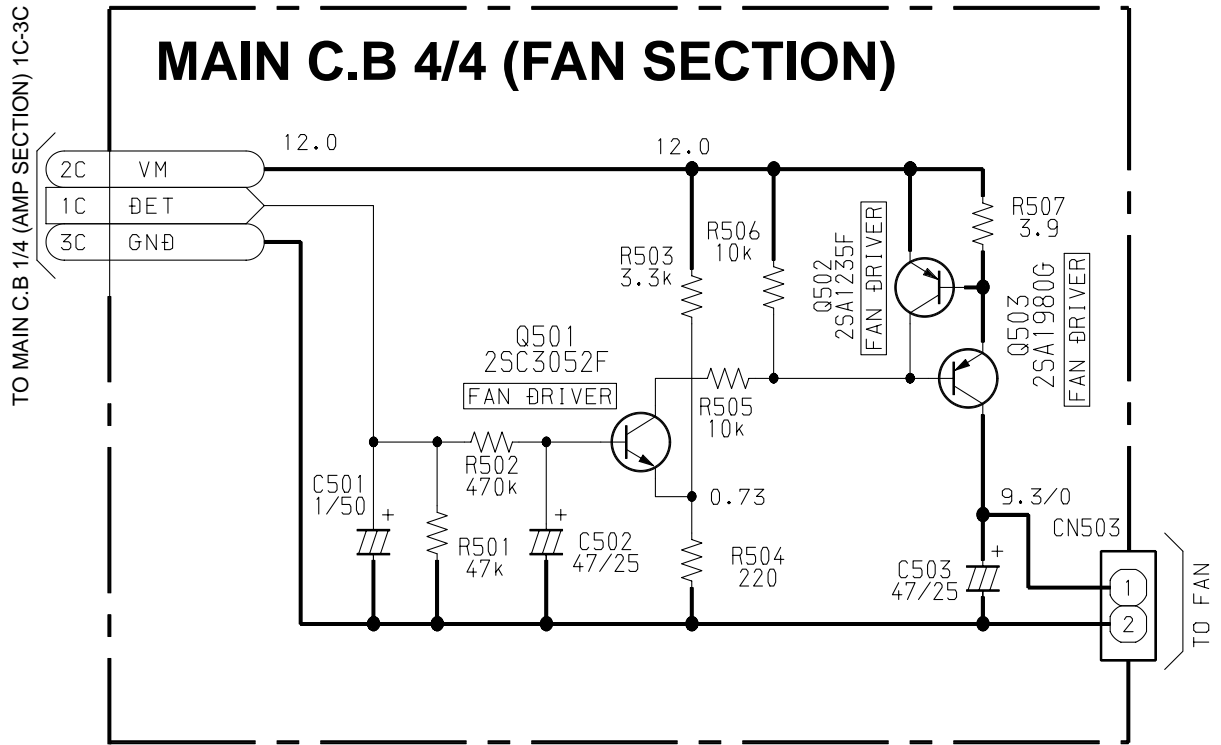




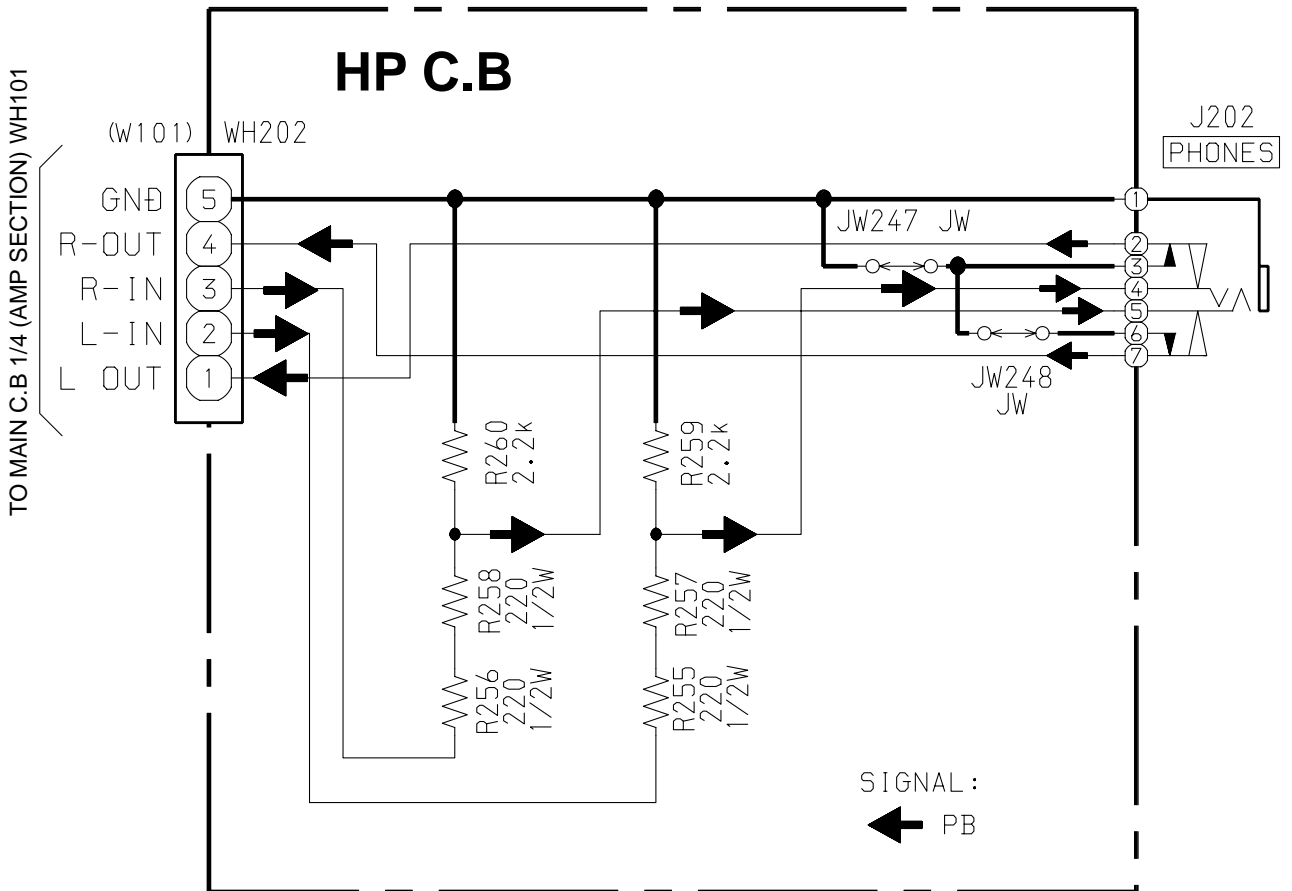
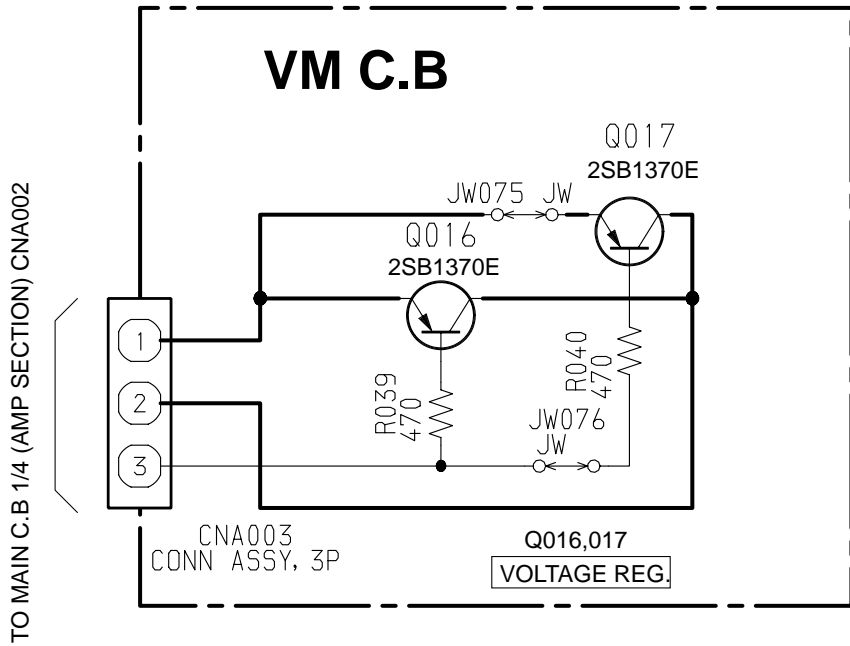




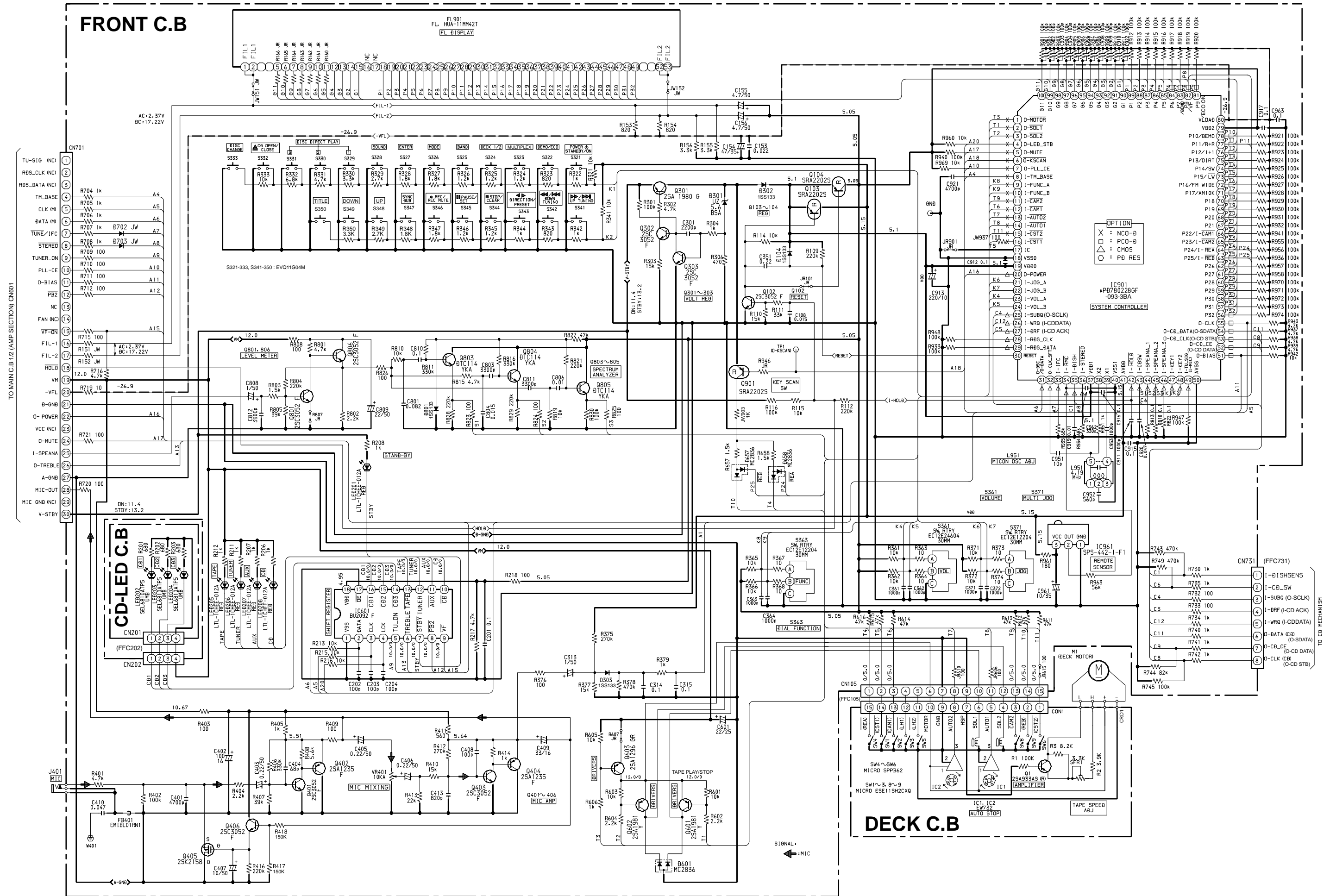
SCHEMATIC DIAGRAM -4/7 (MAIN-4/4, FAN SECTION)



SCHEMATIC DIAGRAM -5/7 (VM/HP SECTION)

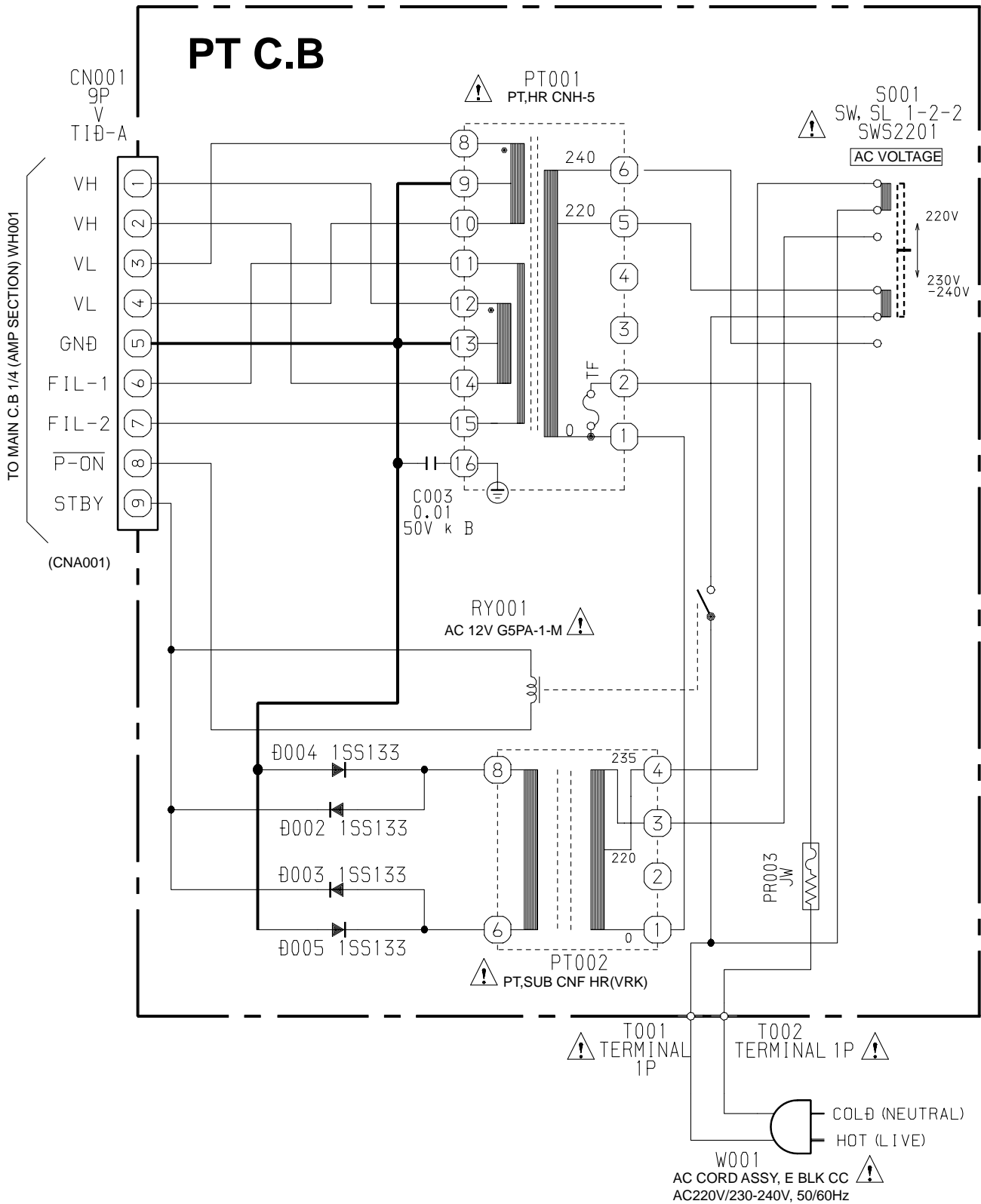


SCHEMATIC DIAGRAM - 6/7 (FRONT/DECK/CD-LED SECTION)





SCHEMATIC DIAGRAM -7/7 (PT SECTION)





**アイワ株式会社** 〒110-8710 東京都台東区池之端1-2-11 ☎03(3827)3111 (代表)  
**AIWA CO.,LTD.** 2-11, IKENOHATA 1-CHOME, TAITO-KU, TOKYO 110-8710, JAPAN TEL:03 (3827) 3111

---