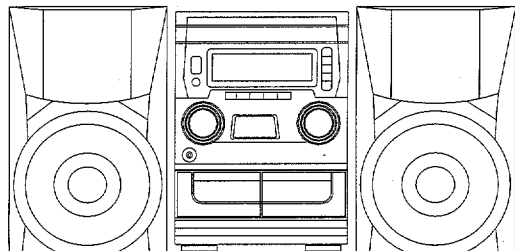


# aiwa



## NSX-S555 NSX-S556



COMPACT DISC STEREO SYSTEM

- BASIC TAPE MECHANISM : 6ZM-3 PR2NM/2ZM-3MK2 PR4NM
- BASIC CD MECHANISM : 4ZG-1 Z3RDSHM
- TYPE: HR,EZ,K,V

### REVISION PUBLISHING

SYSTEM	CD - CASSIVER	SPEAKER
NSX-S555	CX-NS555	SX-WNS555
NSX-S556	CX-NS556	SX-WNS556

- This Service Manual is the "Revision Publishing" and replaces "Simple Manual" (S/M Code No. 09-992-401-7T2).
- If requiring information about the CD mechanism, see Service Manual of 4ZG-1 (S/M Code No. 09-983-249-3S2).

## TABLE OF CONTENTS

SPECIFICATIONS .....	3
PROTECTION OF EYES FROM LASER BEAM DURING SERVICING .....	4
PRECAUTION TO REPLACE OPTICAL BLOCK .....	4
NOTE ON BEFORE SERVICING .....	5
ELECTRICAL MAIN PARTS LIST .....	7
TRANSISTOR ILLUSTRATION .....	12
FL GRID ASSIGNMENT .....	13
ANODE CONNECTION .....	13
BLOCK DIAGRAM - 1 (TUNER <HR>) .....	14
BLOCK DIAGRAM - 2 (TUNER <EZ,K>) .....	15
BLOCK DIAGRAM - 3 (TUNER <V>) .....	16
BLOCK DIAGRAM - 4 (MAIN / FRONT) .....	17
SCHEMATIC DIAGRAM - 1 (MAIN <HR>) .....	20
WIRING - 1 (MAIN <HR>) .....	23
WIRING - 2 (MAIN <EZ,K,V>) .....	25
SCHEMATIC DIAGRAM - 2 (MAIN <EZ,K,V>) .....	27
WIRING - 3 (FRONT) .....	30
SCHEMATIC DIAGRAM - 3 (FRONT <HR>) .....	33
SCHEMATIC DIAGRAM - 4 (FRONT <EZ,K,V>) .....	36
WIRING - 4 (DECK <HR>) .....	39
WIRING - 5 (DECK <EZ,K,V>) .....	40
SCHEMATIC DIAGRAM - 5 (DECK) .....	41
SCHEMATIC DIAGRAM - 6 (TUNER <HR>) .....	43
WIRING - 6 (TUNER <HR>) .....	45
WIRING - 7 (TUNER <EZ,K>) .....	46
SCHEMATIC DIAGRAM - 7 (TUNER <EZ,K>) .....	47
SCHEMATIC DIAGRAM - 8 (TUNER <V>) .....	49
WIRING - 8 (TUNER <V>) .....	51
WIRING - 9 (PS <HR>) .....	52
SCHEMATIC DIAGRAM - 9 (PS <HR>) .....	53
WIRING - 10 (PS <EZ>) .....	54
SCHEMATIC DIAGRAM - 10 (PS <EZ>) .....	55
WIRING - 11 (PS <K,V>) .....	56
SCHEMATIC DIAGRAM - 11 (PS <K,V>) .....	57
IC BLOCK DIAGRAM .....	58
IC DESCRIPTION .....	61
ELECTRICAL ADJUSTMENT (TUNER <HR>) .....	63
ELECTRICAL ADJUSTMENT (TUNER <EZ,K>) .....	64
ELECTRICAL ADJUSTMENT (TUNER <V>) .....	65
ELECTRICAL ADJUSTMENT (DECK) .....	66
PRACTICAL SERVICE FIGURE .....	68
MECHANICAL EXPLODED VIEW 1 / 1 .....	70
MECHANICAL PARTS LIST .....	71
MECHANISM PARTS LIST 1 / 1 (HR) .....	72
MECHANISM EXPLODED VIEW 1 / 1 (HR) .....	73
MECHANISM EXPLODED VIEW 1 / 1 (EZ, K, V) .....	75
MECHANISM PARTS LIST 1 / 1 (EZ, K, V) .....	77
SPRING APPLICATION POSITION (HR) .....	78
SPRING APPLICATION POSITION (EZ,K,V) .....	79
SPEAKER DIS-ASSEMBLY INSTRUCTIONS .....	80
SPEAKER PARTS LIST .....	81
ACCESSORIES / PACKAGE LIST .....	81
REFERENCE NAME LIST .....	82

# SPECIFICATIONS

## Main unit CX-NS555<HR,EZ,K,V>,CX-NS556<EZ>

### <FM Tuner section>

**Tuning range** 87.5 MHz to 108 MHz  
**Usable sensitivity (IHF)** 13.2 dBf  
**Antenna terminal** 75 ohms (unbalanced)

### <FM Tuner section>

**Tuning range** <V>  
 FM1 (OIRT):  
 65.0 MHz to 74.0 MHz (10 kHz step)  
 FM2 (CCIR):  
 87.5 MHz to 108 MHz (50 kHz step)  
**Usable sensitivity (IHF)** FM1 : 15.3 dBf  
 FM2 : 12.8 dBf  
**Antenna terminal** 75 ohms (unbalanced)

### <MW Tuner section>

**Tuning range** 530 kHz to 1710 kHz (10 kHz step)  
 531 kHz to 1602 kHz (9 kHz step)  
**Usable sensitivity** 350 uV/m  
**Antenna** Loop Antenna

### <SW Tuner section>

**Tuning range** <HR>  
 5.9 MHz to 17.9 MHz  
**Antenna** Wire Antenna

### <LW Tuner section>

**Tuning range** <555/556EZ,K>  
 144 kHz to 290 kHz  
**Usable sensitivity** 1400 uV/m  
**Antenna** Loop Antenna

### <Amplifier section>

**Mid-high frequency amplifier**  
**Power output** Rated 10W +10W (8ohms,T.H.D.  
 1%,1kHz)  
 Reference:12W +12W (8ohms, T.H.D.  
 10%,1kHz)  
 DIN MUSIC POWER :  
 28W+28W <555/556EZ,K>  
**Total harmonic distortion** 0.06%(8W,1kHz,8ohms,DIN AUDIO)

### Low frequency amplifier

**Power output** Rated 40W + 40W (4ohms,T.H.D.  
 1%,135Hz)  
 Reference:50W + 50W (4ohms, T.H.D.  
 10%,135Hz)  
 Rated 30W + 30W (4ohms,T.H.D.  
 1%,135Hz)<555/556EZ,K,V>  
 Reference:37W + 37W (4ohms, T.H.D.  
 10%,135Hz)<555/556EZ,K,V>  
 DIN MUSIC POWER :  
 63W+63W<555/556EZ,K>  
**Total harmonic distortion** 0.06%(32W,135Hz,4ohms,DIN AUDIO)

### Inputs

VIDEO / AUX: 300mV (adjustable)  
 Mic : 1.0mV (10k ohms)  
**Outputs** SPEAKER HIGH FREQ :  
 8ohms or more  
 SPEAKER LOW FREQ :  
 4ohms or more  
 SURROUND SPEAKERS :  
 8ohms or more  
 PHONES : 32ohms

### Outputs

### <Cassette deck section>

**Track format** 4 tracks, 2 channels stereo  
**Frequency response** 50 Hz – 15000 Hz  
**Recording system** AC bias  
**Heads** Deck 1 : Playback head x 1  
 Deck 2 : Recording/playback/  
 erase head x 1

### <Compact disc player section>

**Laser** Semiconductor laser ( $\lambda = 780$  nm)  
**D-A converter** 1 bit dual  
**Signal-to-noise ratio** 85 dB (1kHz,0dB)  
**Harmonic distortion** 0.05% (1kHz,0dB)

### <General>

**Power requirements** 120V/220 - 230V/240V AC  
 switchable,50/60Hz<HR>  
 230V AC,50Hz<555/556EZ,K,V>  
**Power consumption** 135 W<HR>  
 140 W<555/556EZ,K,V>  
**Dimensions of main unit**  
 (W x H x D) 260 x 330 x 355 mm  
**Weight of main unit** 8.5 kg<HR>  
 8.2 kg<555/556EZ,V>  
 8.0 kg<K>

### Speaker system SX-WNS555/SX-WNS556<556EZ>

**Cabinet type** 2 way, subwoofer  
 ( magnetic shielded type)  
**Speakers** Subwoofer :  
 160 mm cone type  
 Full range :  
 100 mm cone type  
**Impedance** 4 ohms/8 ohms  
**Output sound pressure level** 87 dB/W/m  
**Dimensions (W x H x D)** 240 x 324 x 275 mm  
**Weight** 4.8 kg

• Design and specifications are subject to change without notice.

# PROTECTION OF EYES FROM LASER BEAM DURING SERVICING

This set employs laser. Therefore, be sure to follow carefully the instructions below when servicing.

## WARNING!!

WHEN SERVICING, DO NOT APPROACH THE LASER EXIT WITH THE EYE TOO CLOSELY. IN CASE IT IS NECESSARY TO CONFIRM LASER BEAM EMISSION. BE SURE TO OBSERVE FROM A DISTANCE OF MORE THAN 30cm FROM THE SURFACE OF THE OBJECTIVE LENS ON THE OPTICAL PICK-UP BLOCK.



- Caution: Invisible laser radiation when open and interlocks defeated avoid exposure to beam.
- Advarsel: Usynlig laserstråling ved åbning, når sikkerhedsafbrydere er ude af funktion. Undgå udsættelse for stråling.

## VAROITUS!

Laiteen Käyttäminen muulla kuin tässä käyttöohjeessa mainitulla tavalla saattaa altistaa käyttäjän turvallisuusluokan 1 ylitävälle näkymättömälle lasersäteilylle.

## WARNING!

Om apparaten används på annat sätt än vad som specificeras i denna bruksanvisning, kan användaren utsättas för osynlig laserstråling, som överskrider gränsen för laserklass 1.

## CAUTION

Use of controls or adjustments or performance of procedures other than those specified herein may result in hazardous radiation exposure.

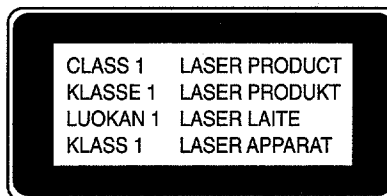
## ATTENTION

L'utilisation de commandes, réglages ou procédures autres que ceux spécifiés peut entraîner une dangereuse exposition aux radiations.

## ADVARSEL!

Usynlig laserstråling ved åbning, når sikkerhedsafbrydere er ude af funktion. Undgå udsættelse for stråling.

This Compact Disc player is classified as a CLASS 1 LASER product. The CLASS 1 LASER PRODUCT label is located on the rear exterior.

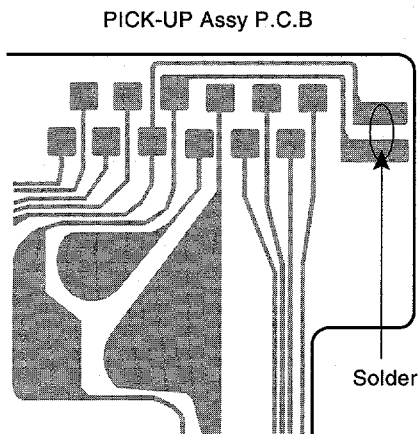


## Precaution to replace Optical block

### (KSS – 213F)

Body or clothes electrostatic potential could ruin laser diode in the optical block. Be sure ground body and workbench, and use care the clothes do not touch the diode.

- 1) After the connection, remove solder shown in right figure.



# NOTE ON BEFORE STARTING REPAIR

## 1. Forced discharge of electrolytic capacitor of power supply block

When repair is going to be attempted in the set that uses relay circuit in the power supply block, electric potential is kept charged across the electrolytic capacitors (C101, 102) even though AC power cord is removed. If repair is attempted in this condition, secondary defect can occur.

In order to prevent the secondary trouble, perform the following measures before starting repair work.

### Discharge procedure

- ① Remove the AC power cord.
- ② Connect a discharging resistor at an end of lead wire that has clips at both ends. Connect the other end of the lead wire to metal chassis.
- ③ Contact the other end of the discharging resistor to the positive (+) side (+VH) of C101. (For two seconds)
- ④ Contact the same end of the discharging resistor as step ③ to the negative (-) side (-VH) of C102 in the same way. (For two seconds)
- ⑤ Check that voltage across C101 and C102 has decreased to 1 V or less using a multimeter or an oscilloscope.

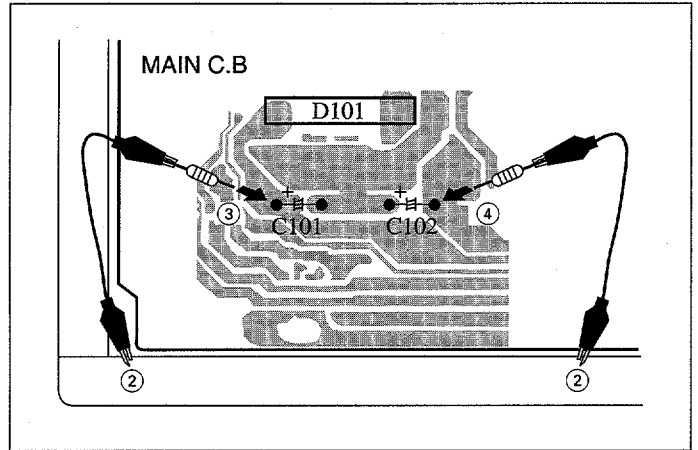


Fig-1

Select a discharging resistor referring to the following table.

Charging voltage (V) (C101, 102)	Discharging resistor ( $\Omega$ )	Rated power (W)	Parts number
25-48	100	3	87-A00-247-090
49-140	220	5	87-A00-232-090

Note: The reference numbers (C101, C102) of the electrolytic capacitors can change depending on the models. Be sure to check the reference numbers of the charging capacitors on schematic diagram before starting the discharging work.

## 2. Check items before exchanging the MICROCOMPUTER

Be sure to check the following items before exchanging the MICROCOMPUTER. Exchange the MICROCOMPUTER after confirming that the MICROCOMPUTER is surely defective.

### 2-1. Regarding the HOLD terminal of the MICROCOMPUTER

When the HOLD terminal (INPUT) of the MICROCOMPUTER is "H", the MICROCOMPUTER is judged to be operating correctly. When this terminal is "L", the main power cannot be turned on. Therefore, be sure to check the terminal voltage of the HOLD terminal before exchange.

When the MICROCOMPUTER is not defective, the HOLD terminal can also go "L" when the POWER AMPLIFIER has any abnormalities that triggers the abnormality detection circuit on the MAIN C. B. that sets the HOLD terminal to "L".

#### • Good or no good judgement of the MICROCOMPUTER

- ① Turn on the AC main power.
- ② Confirm that the main power is turned on and the HOLD terminal of the MICROCOMPUTER keeps the "H" level or not.
- ③ When the HOLD terminal is "L" level, the abnormality detection circuit is judged to be working correctly and the MICROCOMPUTER is judged to be good.

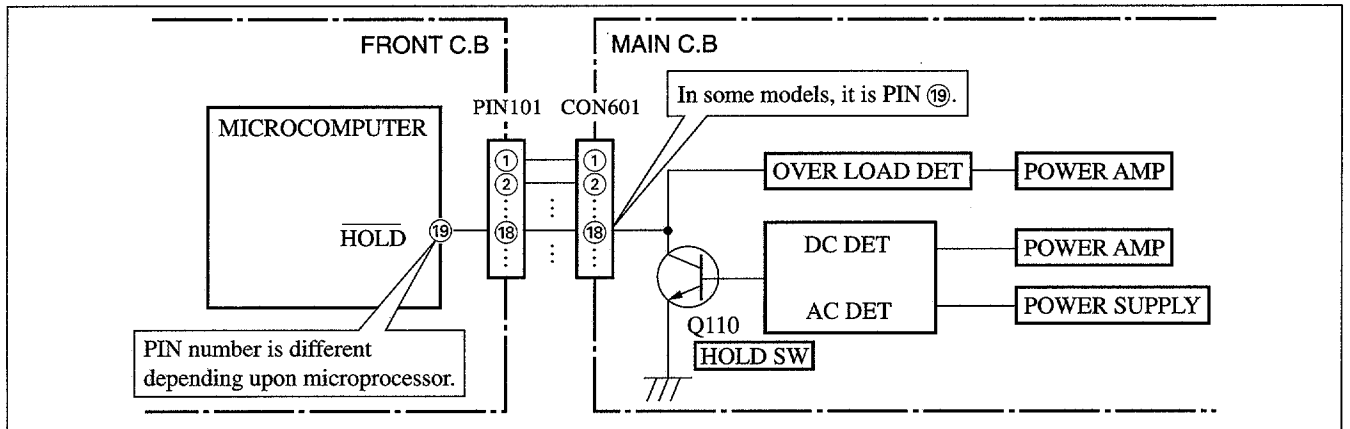


Fig-2-1

In such a case, check also if the POWER AMPLIFIER circuit or power supply circuit has any abnormalities or not.

## 2-2. Regarding reset

There are cases that the machine does not work correctly because the MICROCOMPUTER is not reset even though the AC power cord is re-inserted, or the software reset (pressing the STOP key + POWER key) is performed.

When the above described phenomenon occurs, it can lead to wrong judgement as if the MICROCOMPUTER is defective and to exchange the MICROCOMPUTER. In such a case, perform the forced-reset by the following procedure and check good or no good of the MICROCOMPUTER.

- ① Remove the AC power cord.

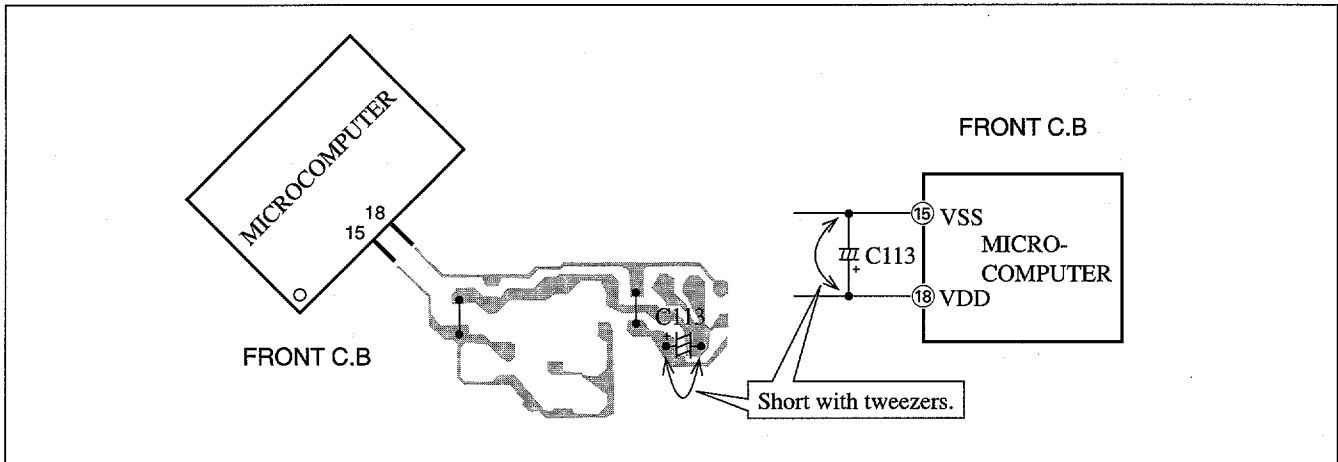


Fig-2-2

- ② Short both ends of the electrolytic capacitor C113 that is connected to VDD of the MICROCOMPUTER with tweezers.
- ③ Connect the AC power cord again. If the MICROCOMPUTER returns to the normal operation, the MICROCOMPUTER is good.

Note: The reference number or MICROCOMPUTER pin number of transistor (Q110) and electrolytic capacitor (C113) can change depending on the models. Be sure to check the reference numbers on schematic diagram before starting the discharging work.

## 2-3. Confirmation of soldering state of MICROCOMPUTER

Check the soldering state of the MICROCOMPUTER in addition to the above described procedures. Be sure to exchange the MICROCOMPUTER after surely confirming that the trouble is not caused by poor soldering but the MICROCOMPUTER itself.

# ELECTRICAL MAIN PARTS LIST

If can't understand for Description please kindly refer to "REFERENCE NAME LIST".

REF. NO.	PART NO.	KANRI NO.	DESCRIPTION	REF. NO.	PART NO.	KANRI NO.	DESCRIPTION
IC				C9	87-A10-520-090		CAP,E 3300-35 M SMG<HR>
	8Z-NF8-675-010		C-IC,UPD780228GF-037-3BA	C9	87-010-917-090		CAP,E 3300-50 M SMG<EXCEPT HR>
	87-NF8-614-010		IC,SPS-442-1-W	C10	87-A10-520-090		CAP,E 3300-35 M SMG<HR>
	87-A20-783-040		C-IC,BA7762AFS	C10	87-010-917-090		CAP,E 3300-50 M SMG<EXCEPT HR>
	87-A21-023-040		C-IC,BA3835F	C21	87-010-385-080		CAP, ELECT 220-25V<HR>
	87-A21-031-040		C-IC,BU4551BF	C21	87-010-408-080		CAP, ELECT 47-50V<EXCEPT HR>
	87-A21-021-040		C-IC,BU2099FV	C22	87-010-385-080		CAP, ELECT 220-25V<HR>
	87-A21-011-040		C-IC,M62445FP-600D	C22	87-010-408-080		CAP, ELECT 47-50V<EXCEPT HR>
	87-070-127-110		IC,LC72131D	C23	87-010-247-080		CAP, ELECT 100-50V<HR>
	87-A20-913-010		IC,LA1837NL	C23	87-010-408-080		CAP, ELECT 47-50V<EXCEPT HR>
	87-A20-440-040		C-IC,BU1920FS<556EZ>	C24	87-010-247-080		CAP, ELECT 100-50V<HR>
	87-A21-202-040		C-IC,M62445AFP<V>	C24	87-010-408-080		CAP, ELECT 47-50V<EXCEPT HR>
	87-020-454-010		IC,DN6851	C25	87-010-430-080		CAP, ELECT 100-63
TRANSISTOR				C26	87-010-263-080		CAP, ELECT 100-10V
	87-026-609-080		TR,KTA1266GR	C27	87-012-140-080		CAP 470P<EXCEPT V>
	89-213-702-010		TR,2SB1370 (1.8W)	C27	87-010-197-080		C-CAP,S 0.01-25 K B<V>
	87-026-610-080		TR,KTC3198GR	C29	87-010-247-080		CAP, ELECT 100-50V
	87-A30-076-080		C-TR,2SC3052F	C30	87-010-112-080		CAP, ELECT 100-16V
	87-A30-075-080		C-TR,2SA1235F	C31	87-010-235-080		CAP,E 470-16 SME
	87-A30-196-080		TR,2SC4115SR5	C33	87-010-405-080		CAP,E 10-50<HR>
	87-A30-074-080		C-TR,RT1P 141C	C34	87-010-405-080		CAP,E 10-50<HR>
	87-A30-107-070		C-TR,CMBT5401	C61	87-010-260-080		CAP, ELECT 47-25V
	87-A30-257-080		C-TR,2SD1306E	C62	87-010-403-080		CAP, ELECT 3.3-50V
	87-A30-190-080		TR,CC5551	C91	87-010-401-080		CAP, E 1-50 M
	87-A30-108-010		TR,2SB1626	C92	87-010-248-080		CAP, E 220-10 M
	87-A30-106-070		C-TR,CMBT5551	C93	87-010-380-080		CAP, E 47-16
	87-A30-087-080		C-FET,2SK2158<HR>	C101	87-010-178-080		CHIP CAP 1000P
	87-A30-256-010		TR,2SD1933	C102	87-010-178-080		CHIP CAP 1000P
	87-A30-255-010		TR,2SB1342	C103	87-010-405-080		CAP, ELECT 10-50V
	87-A30-119-040		C-TR,2SC3906K R	C104	87-010-405-080		CAP, ELECT 10-50V
	87-A30-159-080		C-TR,KTA1298Y	C107	87-010-408-080		CAP, ELECT 47-50V
	87-A30-240-080		TR,CSA1585BC	C108	87-010-408-080		CAP, ELECT 47-50V
	87-A30-073-080		C-TR,RT1N 141C	C109	87-010-322-080		C-CAP,S 100P-50 CH
	87-A30-097-010		TR,FN1016<HR>	C110	87-010-322-080		C-CAP,S 100P-50 CH
	87-A30-098-010		TR,FP1016<HR>	C111	87-010-260-080		CAP, ELECT 47-25V
	87-A30-105-080		C-TR,RT1P 441C	C112	87-010-260-080		CAP, ELECT 47-25V
	87-026-245-080		TR,DTC114ES	C113	87-A10-685-080		C-CAP,S 470P-100 J CH<HR>
	87-A30-198-080		TR,KTC3199GR	C113	87-A10-946-080		C-CAP,S 220P-100 J CH<EXCEPT HR>
	87-A30-214-010		TR,2SB1344	C114	87-A10-685-080		C-CAP,S 470P-100 J CH<HR>
	87-A30-215-010		TR,2SD2025	C114	87-A10-946-080		C-CAP,S 220P-100 J CH<EXCEPT HR>
	87-A30-086-070		C-TR,CSD1306E<V>	C117	87-016-247-080		C-CAP,0.1-50 Z F<V>
DIODE				C118	87-016-247-080		C-CAP,0.1-50 Z F<V>
	87-020-465-080		DIODE,ISS133 (110MA)	C121	87-010-178-080		CHIP CAP 1000P
	87-017-654-060		DIODE,GBU6J	C122	87-010-178-080		CHIP CAP 1000P
	87-070-274-080		DIODE,1N4003 SEM	C123	87-010-176-080		C-CAP,S 680P-50 SL
	87-A40-383-080		ZENER,MTZJ30A	C124	87-010-176-080		C-CAP,S 680P-50 SL
	87-A40-345-080		ZENER,MTZJ10C	C125	87-012-368-080		C-CAP,S 0.1-50 F
	87-A40-270-080		C-DIODE,MC2838	C126	87-012-368-080		C-CAP,S 0.1-50 F
	87-A40-269-080		C-DIODE,MC2836	C127	87-012-368-080		C-CAP,S 0.1-50 F
	87-A40-488-080		DIODE,ISS244	C128	87-012-368-080		C-CAP,S 0.1-50 F
	87-A40-509-080		ZENER,MTZJ6.8C	C129	87-010-191-080		C-CAP,S 0.015-50 F
	87-017-932-080		ZENER,MTJ6.2B	C130	87-010-191-080		C-CAP,S 0.015-50 F
	87-A40-002-080		ZENER,MTZJ5.1C	C131	87-010-197-080		CAP, CHIP 0.01 DM
	87-A40-438-080		ZENER,MTZJ4.7A	C132	87-010-197-080		CAP, CHIP 0.01 DM
	87-A40-548-090		DIODE,D3SBA20	C133	87-010-197-080		CAP, CHIP 0.01 DM
	87-017-447-010		DIODE,GBU4DL-6419<HR>	C203	87-010-177-080		C-CAP,S 820P-50 SL
MAIN C.B				C204	87-010-177-080		C-CAP,S 820P-50 SL
C1	87-012-369-080		C-CAP,S 0.047-50F	C209	87-010-403-080		CAP, ELECT 3.3-50V
C2	87-012-369-080		C-CAP,S 0.047-50F	C210	87-010-403-080		CAP, ELECT 3.3-50V
C3	87-012-368-080		C-CAP,S 0.1-50 F	C211	87-010-181-080		CAP,CHIP S 1800P
C4	87-012-368-080		C-CAP,S 0.1-50 F	C212	87-010-181-080		CAP,CHIP S 1800P
C5	87-012-368-080		C-CAP,S 0.1-50 F	C213	87-010-403-080		CAP, ELECT 3.3-50V
C6	87-012-368-080		C-CAP,S 0.1-50 F	C214	87-010-403-080		CAP, ELECT 3.3-50V
				C215	87-010-322-080		C-CAP,S 100P-50 CH
				C216	87-010-322-080		C-CAP,S 100P-50 CH
				C217	87-010-260-080		CAP, ELECT 47-25V
				C218	87-010-260-080		CAP, ELECT 47-25V
				C219	87-A10-946-080		C-CAP,S 220P-100 J CH
				C220	87-A10-946-080		C-CAP,S 220P-100 J CH
				C223	87-010-190-080		S CHIP F 0.01<EXCEPT V>

REF. NO.	PART NO.	KANRI NO.	DESCRIPTION	REF. NO.	PART NO.	KANRI NO.	DESCRIPTION
C224	87-010-190-080		S CHIP F 0.01<EXCEPT V>	C393	87-010-319-080		C-CAP,S 56P-50 CH
C225	87-012-368-080		C-CAP,S 0.1-50 F	C394	87-010-319-080		C-CAP,S 56P-50 CH
C226	87-012-368-080		C-CAP,S 0.1-50 F	C451	87-010-401-080		CAP, ELECT 1-50V
C227	87-010-186-080		CAP,CHIP 4700P	C452	87-010-401-080		CAP, ELECT 1-50V
C228	87-010-186-080		CAP,CHIP 4700P	C457	87-010-196-080		CHIP CAPACITOR,0.1-25
C229	87-010-993-080		C-CAP,S 0.056-25 B	C458	87-010-196-080		CHIP CAPACITOR,0.1-25
C230	87-010-993-080		C-CAP,S 0.056-25 B	C459	87-A10-299-080		CAP,M 0.022-50 J<V>
C231	87-010-196-080		CHIP CAPACITOR,0.1-25	C459	87-A11-004-080		CAP,M 0.022-50 J<EXCEPT V>
C232	87-010-196-080		CHIP CAPACITOR,0.1-25	C460	87-A10-299-080		CAP,M 0.022-50 J<V>
C233	87-010-190-080		S CHIP F 0.01	C460	87-A11-004-080		CAP,M 0.022-50 J<EXCEPT V>
C234	87-010-190-080		S CHIP F 0.01	C465	87-A10-299-080		CAP,M 0.022-50 J<V>
C235	87-016-285-080		CAP, ELECT 47-100 M	C465	87-A11-004-080		CAP,M 0.022-50 J<EXCEPT V>
C236	87-016-285-080		CAP, ELECT 47-100 M	C466	87-A10-299-080		CAP,M 0.022-50 J<V>
C237	87-010-318-080		C-CAP,S 100P-50 CH<EZ>	C466	87-A11-004-080		CAP,M 0.022-50 J<EXCEPT V>
C238	87-010-322-080		C-CAP,S 100P-50 CH<EZ>	C601	87-010-180-080		C-CER 1500P
C239	87-010-196-080		CHIP CAPACITOR,0.1-25	C602	87-010-180-080		C-CER 1500P
C240	87-010-408-080		CAP, ELECT 47-50V	C605	87-010-318-080		C-CAP,S 47P-50 CH
C301	87-010-318-080		C-CAP,S 47P-50 CH	C606	87-010-318-080		C-CAP,S 47P-50 CH
C302	87-010-318-080		C-CAP,S 47P-50 CH	C613	87-016-081-080		C-CAP,S 0.1-16 RK
C303	87-012-157-080		C-CAP,S 330P-50 CH	C614	87-016-081-080		C-CAP,S 0.1-16 RK
C304	87-012-157-080		C-CAP,S 330P-50 CH	C615	87-A11-011-080		CAP,M 0.12-50 J DE
C305	87-012-145-080		CAP, CHIP S 270P CH	C616	87-A11-011-080		CAP,M 0.12-50 J DE
C306	87-012-145-080		CAP, CHIP S 270P CH	C617	87-A11-008-080		CAP,M 0.056-50 J<EXCEPT V>
C307	87-010-196-080		CHIP CAPACITOR,0.1-25	C617	87-A10-305-080		CAP,M 0.068-50 J<V>
C309	87-010-196-080		CHIP CAPACITOR,0.1-25	C618	87-A11-008-080		CAP,M 0.056-50 J<EXCEPT V>
C310	87-010-196-080		CHIP CAPACITOR,0.1-25	C618	87-A10-305-080		CAP,M 0.068-50 J<V>
C311	87-010-198-080		CAP, CHIP 0.022	C619	87-010-185-080		C-CAP,S 3900P-50 B
C312	87-010-198-080		CAP, CHIP 0.022	C620	87-010-185-080		C-CAP,S 3900P-50 B
C313	87-010-178-080		C-CAP,S 1000P-50 B<HR>	C621	87-010-401-080		CAP, ELECT 1-50V
C313	87-010-180-080		C-CAP,S 1500P-50 K B<EXCEPT HR>	C622	87-010-401-080		CAP, ELECT 1-50V
C314	87-010-178-080		C-CAP,S 1000P-50 B<HR>	C623	87-A10-307-080		CAP,M 0.10-50 J<V>
C314	87-010-180-080		C-CAP,S 1500P-50 K B<EXCEPT HR>	C623	87-A10-773-080		CAP,M 0.1-50 J<EXCEPT V>
C315	87-010-178-080		C-CAP,S 1000P-50 B<HR>	C624	87-A10-307-080		CAP,M 0.10-50 J<V>
C315	87-010-180-080		C-CAP,S 1500P-50 K B<EXCEPT HR>	C624	87-A10-773-080		CAP,M 0.1-50 J<EXCEPT V>
C316	87-010-178-080		C-CAP,S 1000P-50 B<HR>	C625	87-010-405-080		CAP, ELECT 10-50V
C316	87-010-180-080		C-CAP,S 1500P-50 K B<EXCEPT HR>	C626	87-010-405-080		CAP, ELECT 10-50V
C321	87-016-492-080		C-CAP,S 0.33-16 FZ	C627	87-010-196-080		CHIP CAPACITOR,0.1-25
C322	87-016-492-080		C-CAP,S 0.33-16 FZ	C629	87-010-405-080		CAP, ELECT 10-50V
C324	87-010-260-080		CAP, ELECT 47-25V	C630	87-010-213-080		C-CAP,S 0.015-50 B
C325	87-010-370-080		CAP,E 330-6.3 SME	C631	87-010-992-080		C-CAP,S 0.047-25 B
C327	87-010-404-080		CAP, ELECT 4.7-50V	C632	87-010-263-080		CAP, ELECT 100-10V
C328	87-010-404-080		CAP, ELECT 4.7-50V	C633	87-010-263-080		CAP, ELECT 100-10V
C332	87-010-196-080		CHIP CAPACITOR,0.1-25	C634	87-010-196-080		CHIP CAPACITOR,0.1-25
C335	87-010-401-080		CAP, ELECT 1-50V	C635	87-010-196-080		CHIP CAPACITOR,0.1-25
C336	87-010-401-080		CAP, ELECT 1-50V	C636	87-010-194-080		C-CAP,S 0.047-25<HR>
C337	87-010-196-080		CHIP CAPACITOR,0.1-25	C637	87-010-183-080		C-CAP,S 2700P-50 B
C339	87-010-196-080		CHIP CAPACITOR,0.1-25	C638	87-010-314-080		C-CAP,S 22P-50V
C340	87-010-196-080		CHIP CAPACITOR,0.1-25	C639	87-010-314-080		C-CAP,S 22P-50V
C351	87-012-140-080		CAP 470P	C641	87-010-196-080		CHIP CAPACITOR,0.1-25
C352	87-012-140-080		CAP 470P	C669	87-010-322-080		C-CAP,S 100P-50 CH<V>
C354	87-010-175-080		CAP 560P	C670	87-010-322-080		C-CAP,S 100P-50 CH<V>
C355	87-012-349-080		C-CAP,S 1000P-50 CH	C678	87-010-196-080		CHIP CAPACITOR,0.1-25<V>
C356	87-010-260-080		CAP, ELECT 47-25V	C680	87-010-196-080		CHIP CAPACITOR,0.1-25<V>
C357	87-010-197-080		CAP, CHIP 0.01 DM	C731	87-010-560-080		CAP, ELECT 10-50
C358	87-010-183-080		C-CAP,S 2700P-50 B	C732	87-010-196-080		CHIP CAPACITOR,0.1-25
C359	87-010-183-080		C-CAP,S 2700P-50 B	C733	87-010-196-080		CHIP CAPACITOR,0.1-25
C360	87-010-183-080		C-CAP,S 2700P-50 B	C734	87-012-157-080		C-CAP,S 330P-50
C363	87-A10-772-080		CAP,M 5600P-50 J	C736	87-010-196-080		CHIP CAPACITOR,0.1-25
C370	87-010-196-080		CHIP CAPACITOR,0.1-25	CN91	87-A60-109-010		CONN,2P <HR,K>
C373	87-016-083-080		C-CAP,S 0.15-16 RK	CN301	87-099-827-010		CONN,3P S2M-3W
C374	87-016-083-080		C-CAP,S 0.15-16 RK	CN351	87-099-832-010		CONN,8P S2M-8W
C378	87-010-196-080		CHIP CAPACITOR,0.1-25	CN601	88-NF9-657-010		CONN,30P H BLK TYK-B(X)
C379	87-010-406-080		CAP, ELECT 22-50	CN602	87-A60-131-010		CONN,6P V FE
C380	87-010-406-080		CAP, ELECT 22-50	CN604	87-099-570-010		CONN,13P TUC-P13P-B1<EXCEPT 556EZ>
C382	87-010-312-080		C-CAP,S 15P-50 CH	CN605	87-A60-189-010		CONN,16P V<556EZ>
C386	87-010-196-080		CHIP CAPACITOR,0.1-25	J201	87-A60-483-010		JACK,DIA 6.3 BLK ST W/S KM
C387	87-012-145-080		CAP, CHIP S 270P CH	J203	87-A60-238-010		TERMINAL,SP 4P
C388	87-012-156-080		C-CAP,S 220P-50 CH	J204	87-A60-750-010		JACK,PIN 4P
C391	87-010-319-080		C-CAP,S 56P-50 CH	J602	87-A60-398-010		JACK,PIN 2P R/W HSP-242V24
C392	87-010-319-080		C-CAP,S 56P-50 CH	L101	87-003-383-010		COIL,1UH-S

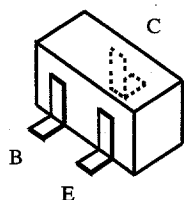


REF. NO.	PART NO.	KANRI NO.	DESCRIPTION	REF. NO.	PART NO.	KANRI NO.	DESCRIPTION
L102	87-003-383-010		COIL,1UH-S	C339	87-012-156-080		C-CAP,S 220P-50 CH
L201	87-003-383-010		COIL,1UH-S	C340	87-010-197-080		CAP, CHIP 0.01 DM
L202	87-003-383-010		COIL,1UH-S	C401	87-010-197-080		CAP, CHIP 0.01 DM
L301	87-A50-049-010		COIL,TRAP 85K(COI)	C451	87-010-196-080		CHIP CAPACITOR,0.1-25
L302	87-A50-049-010		COIL,TRAP 85K(COI)	C452	87-010-196-080		CHIP CAPACITOR,0.1-25
L351	87-007-342-010		COIL,OSC 85K BIAS	C453	87-010-196-080		CHIP CAPACITOR,0.1-25
R20	87-A00-261-080		RES,M/F 0.56-1W J	C454	87-010-196-080		CHIP CAPACITOR,0.1-25
R129	87-A00-257-080		RES,M/F 0.15-1W J	C455	87-010-196-080		CHIP CAPACITOR,0.1-25
R130	87-A00-257-080		RES,M/F 0.15-1W J	C456	87-012-158-080		C-CAP,S 390P-50 CH
R131	87-A00-257-080		RES,M/F 0.15-1W J	C457	87-010-196-080		CHIP CAPACITOR,0.1-25
R132	87-A00-257-080		RES,M/F 0.15-1W J	C502	87-010-186-080		CAP, CHIP 4700P<HR>
R143	87-A00-440-050		RES,220-1/2W J<HR>	C503	87-010-112-040		CAP,E 100-16<HR>
R143	87-A00-439-050		RES,180-1/2W J RP<EXCEPT HR>	C504	87-010-405-040		CAP,E 10-50<HR>
R144	87-A00-440-050		RES,220-1/2W J<HR>	C505	87-010-546-040		CAP,E 0.33-50<HR>
R144	87-A00-439-050		RES,180-1/2W J RP<EXCEPT HR>	C506	87-010-320-080		C-CAP,S 68P-50 CH<HR>
R145	87-A00-440-050		RES,220-1/2W J<HR>	C507	87-010-544-040		CAP,E 0.1-50<HR>
R145	87-A00-439-050		RES,180-1/2W J RP<EXCEPT HR>	C508	87-010-178-080		C-CAP,S 1000P-50 K<HR>
R146	87-A00-440-050		RES,220-1/2W J<HR>	C509	87-010-544-040		CAP,E 0.1-50<HR>
R146	87-A00-439-050		RES,180-1/2W J RP<EXCEPT HR>	C601	87-010-196-080		CHIP CAPACITOR,0.1-25
R165	87-A00-257-080		RES,M/F 0.15-1W J	C602	87-010-322-080		C-CAP,S 100P-50 CH
R166	87-A00-257-080		RES,M/F 0.15-1W J	C603	87-010-322-080		C-CAP,S 100P-50 CH
R231	87-A00-258-080		RES,M/F 0.22-1W J	C604	87-010-322-080		C-CAP,S 100P-50 CH
R232	87-A00-258-080		RES,M/F 0.22-1W J	C701	87-010-196-080		CHIP CAPACITOR,0.1-25
R233	87-A00-258-080		RES,M/F 0.22-1W J	CON101	87-099-720-010		CONN,30P TYK-B(P)
R234	87-A00-258-080		RES,M/F 0.22-1W J	CON102	87-099-015-010		CONN,13P 6216V
R265	87-A00-258-080		RES,M/F 0.22-1W J	CON301	87-099-017-010		CONN,15P 6216 V<HR>
R266	87-A00-258-080		RES,M/F 0.22-1W J	CON301	87-099-013-010		CONN,11P 6216 V<EXCEPT HR>
SFR351	87-A90-433-080		SFR,50K H NVZ6TLTA	EMI201	87-008-372-080		FILTER, EMI BL OIRNI
SFR352	87-A90-433-080		SFR,50K H NVZ6TLTA	EMI202	87-008-372-080		FILTER, EMI BL OIRNI
TH101	87-A91-042-080		C-THMS,100K	EMI701	87-A50-322-080		C-COIL,S BK2125 LM252
TH101	87-A91-042-080		C-THMS,100K	FL401	8Z-NF8-616-010		FL,SVA-11MM22
WH1	87-A90-510-010		HLD,R,WIRE 2.5-9P	J501	87-A60-651-010		JACK,3.5 MONO<HR>
JW16	87-008-372-080		FLTR,EMI BLO1 RN1	L331	87-A50-434-010		COIL,CLK 4.19M(TOKO)
FRONT C.B							
C201	87-012-156-080		C-CAP,S 220P-50 CH	LED602	87-A40-619-040		LED,SLR-56PT-T31-W GRN
C202	87-010-322-080		C-CAP,S 100P-50 CH	LED603	87-A40-619-040		LED,SLR-56PT-T31-W GRN
C203	87-010-322-080		C-CAP,S 100P-50 CH	LED604	87-A40-619-040		LED,SLR-56PT-T31-W GRN
C204	87-010-322-080		C-CAP,S 100P-50 CH	LED605	87-A40-619-040		LED,SLR-56PT-T31-W GRN
C205	87-010-322-080		C-CAP,S 100P-50 CH	LED606	87-A40-619-040		LED,SLR-56PT-T31-W GRN
C206	87-010-322-080		C-CAP,S 100P-50 CH	LED607	87-A40-619-040		LED,SLR-56PT-T31-W GRN
C207	87-010-322-080		C-CAP,S 100P-50 CH	LED608	87-A40-619-040		LED,SLR-56PT-T31-W GRN
C208	87-010-322-080		C-CAP,S 100P-50 CH	LED609	87-A40-619-080		LED,SLR-56PT-TE7-W GRN
C209	87-010-322-080		C-CAP,S 100P-50 CH	LED610	87-A40-619-080		LED,SLR-56PT-TE7-W GRN
C210	87-010-322-080		C-CAP,S 100P-50 CH	LED611	87-A40-619-080		LED,SLR-56PT-TE7-W GRN
C211	87-010-322-080		C-CAP,S 100P-50 CH	LED612	87-A40-619-080		LED,SLR-56PT-TE7-W GRN
C251	87-015-699-040		CAP,E 10-50 7L	LED613	87-A40-619-080		LED,SLR-56PT-TE7-W GRN
C252	87-010-198-080		CAP, CHIP 0.022	LED614	87-A40-619-080		LED,SLR-56PT-TE7-W GRN
C254	87-010-194-080		CAP, CHIP 0.047	LED631	87-A40-619-040		LED,SLR-56PT-T31-W GRN
C255	87-A10-586-040		CAP,E 47-35 7L SR	LED632	87-A40-619-040		LED,SLR-56PT-T31-W GRN
C256	87-015-699-040		CAP,E 10-50 7L	LED633	87-A40-619-040		LED,SLR-56PT-T31-W GRN
C259	87-015-699-040		CAP,E 10-50 7L	LED634	87-A40-619-040		LED,SLR-56PT-T31-W GRN
C260	87-010-198-080		CAP, CHIP 0.022	SW401	87-A91-024-080		SW,TACT KSH0611BT
C262	87-010-196-080		CHIP CAPACITOR,0.1-25	SW402	87-A91-024-080		SW,TACT KSH0611BT
C301	87-010-182-080		C-CAP,S 2200P-50 B	SW403	87-A91-024-080		SW,TACT KSH0611BT
C302	87-010-182-080		C-CAP,S 2200P-50 B	SW404	87-A91-024-080		SW,TACT KSH0611BT
C311	87-010-194-080		CAP, CHIP 0.047	SW405	87-A91-024-080		SW,TACT KSH0611BT
C313	87-010-196-080		CHIP CAPACITOR,0.1-25	SW406	87-A91-024-080		SW,TACT KSH0611BT
C314	87-010-194-080		CAP, CHIP 0.047	SW407	87-A91-024-080		SW,TACT KSH0611BT
C321	87-010-196-080		CHIP CAPACITOR,0.1-25	SW408	87-A91-024-080		SW,TACT KSH0611BT
C323	87-010-248-040		CAP,E 220-10 SME	SW409	87-A91-024-080		SW,TACT KSH0611BT
C324	87-010-194-080		CAP, CHIP 0.047	SW410	87-A91-024-080		SW,TACT KSH0611BT
C331	87-010-196-080		CHIP CAPACITOR,0.1-25	SW411	87-A91-024-080		SW,TACT KSH0611BT
C332	87-010-178-080		CHIP CAP 1000P	SW412	87-A91-024-080		SW,TACT KSH0611BT
C333	87-012-140-080		CAP 470P	SW413	87-A91-024-080		SW,TACT KSH0611BT
C334	87-010-312-080		C-CAP,S 15P-50 CH	SW414	87-A91-024-080		SW,TACT KSH0611BT
C335	87-012-140-080		CAP 470P	SW415	87-A91-024-080		SW,TACT KSH0611BT
C336	87-010-196-080		CHIP CAPACITOR,0.1-25	SW416	87-A91-024-080		SW,TACT KSH0611BT
C337	87-010-196-080		CHIP CAPACITOR,0.1-25	SW417	87-A91-024-080		SW,TACT KSH0611BT
C338	87-012-155-080		C-CAP 180P-50CH	SW418	87-A91-024-080		SW,TACT KSH0611BT

REF. NO.	PART NO.	KANRI NO.	DESCRIPTION	REF. NO.	PART NO.	KANRI NO.	DESCRIPTION
SW419	87-A91-024-080		SW,TACT KSH0611BT	C736	87-010-987-080		C-CAP,S 1500P-50 CH<EXCEPT EZ,K>
SW420	87-A91-024-080		SW,TACT KSH0611BT	C737	87-A10-592-080		C-CAP,S 0.015-50 J B<EXCEPT EZ,K>
SW421	87-A91-024-080		SW,TACT KSH0611BT	C738	87-A10-592-080		C-CAP,S 0.015-50 J B<EXCEPT EZ,K>
SW422	87-A91-024-080		SW,TACT KSH0611BT	C751	87-010-220-080		C-CAP,S 0.018-25KB<EXCEPT EZ,K>
SW423	87-A91-024-080		SW,TACT KSH0611BT	C751	87-012-365-080		C-CAP,S 0.027-25<V>
SW424	87-A91-024-080		SW,TACT KSH0611BT	C752	87-010-220-080		C-CAP,S 0.018-25KB<EXCEPT EZ,K>
SW425	87-A91-024-080		SW,TACT KSH0611BT	C752	87-012-282-080		C-CAP,U 4700P-50 KB<EZ,K>
SW426	87-A91-024-080		SW,TACT KSH0611BT	C752	87-012-365-080		C-CAP,S 0.027-25<V>
SW427	87-A91-024-080		SW,TACT KSH0611BT	C753	87-012-195-080		C-CAP,U 100P-50CH<EZ,K>
SW428	87-A91-024-080		SW,TACT KSH0611BT<HR>	C755	87-012-286-080		CAP, U 0.01-25<EZK>
SW430	87-A91-024-080		SW,TACT KSH0611BT<556EZ>	C756	87-012-286-080		CAP, U 0.01-25
SW431	87-A91-024-080		SW,TACT KSH0611BT<556EZ>	C757	87-012-188-080		C-CAP,U 47P-50 CH
SW432	87-A91-024-080		SW,TACT KSH0611BT<556EZ>	C758	87-012-167-080		C-CAP,S 0.027-25<V>
SW434	87-A91-024-080		SW,TACT KSH0611BT<HR>	C761	87-010-196-080		CHIP CAPACITOR,0.1-25<EZ,K>
SW252	87-A90-535-010		SW,RTRY EC16B24304	C762	87-010-196-080		CHIP CAPACITOR,0.1-25<EZ,K>
SW253	87-A90-950-010		SW,RTRY EC12E12504 ENCODER	C763	87-010-829-080		CAP, U 0.047-16
VR501	87-NB7-602-010		VR,RTRY 10KAX1<HR>	C764	87-012-337-080		C-CAP,U 56P-50 CH<EXCEPT EZ,K>
				C765	87-012-286-080		CAP, U 0.01-25
				C766	87-017-197-080		C-CAP,S 0.01-25 K B<EZ,K>
				C768	87-012-286-080		CAP, U 0.01-25
PS C.B							
C1	87-010-388-080		CAP,E 1000-25<HR>	C769	87-010-260-080		CAP, ELECT 47-25V
C1	87-010-387-080		CAP,E 470-25 SME<K,V>	C770	87-010-829-080		CAP, U 0.047-16
C8	87-A10-520-090		CAP,E 3300-35<HR>	C771	87-010-383-080		CAP, ELECT 33-25V
C9	87-A10-520-090		CAP,E 3300-35<HR>	C772	87-010-829-080		CAP, U 0.047-16
C31	87-010-403-040		CAP,E 3.3-50 M<K,V>	C773	87-010-196-080		CHIP CAPACITOR,0.1-25
CN1	87-A60-851-010		CONN,9P V VH<HR>	C774	87-010-263-080		CAP, ELECT 100-10V
CN1	87-A60-850-010		CONN,7P V VH<EXCEPT HR>	C775	87-010-404-080		CAP, ELECT 4.7-50V
PR1	87-026-682-080		PROTECTOR,10A 491S 60V<HR>	C776	87-012-286-080		CAP, U 0.01-25<EXCEPT HR>
PR2	87-026-682-080		PROTECTOR,10A 491S 60V<HR>	C777	87-010-400-080		CAP, ELECT 0.47-50V<EXCEPT EZ,K>
PT1	8Z-NF8-605-010		PT,ZNF-8 HR<HR>	C777	87-010-493-080		CAP, E 0.47-50M 5L
PT1	8Z-NF8-606-010		PT,ZNF-8 EZ<EZ,K,V>	C778	87-010-401-080		CAP, ELECT 1-50V
PT2	8Z-NF8-663-010		PT,SUB ZNF-8<HR>	C779	87-010-401-080		CAP, ELECT 1-50V
PT2	8Z-NF8-662-010		PT,SUB ZNF-8(E)<EXCEPT HR>	C780	87-010-196-080		CHIP CAPACITOR,0.1-25
RY1	87-A91-281-010		RELAY,AC DC12V OSA-SS-212DM<HR>	C781	87-010-405-080		CAP, ELECT 10-50V
RY2	87-A90-976-010		RELAY,AC12VSDT-S-112LMR<EZ,K,V>	C782	87-010-405-080		CAP, ELECT 10-50V
S1	87-A90-165-010		SW,SL 1-2-3 SWS2301<HR>	C783	87-012-286-080		CAP, U 0.01-25
T1	87-A60-317-010		TERMINAL, 1P MSC	C784	87-012-286-080		CAP, U 0.01-25
T2	87-A60-317-010		TERMINAL, 1P MSC	C785	87-010-494-080		CAP, E 1-50M 5L<HR>
				C785	87-010-401-080		CAP, ELECT 1-50V<EXCEPT HR>
				C786	87-010-494-080		CAP, E 1-50M 5L<HR>
TUNER C.B							
C701	87-010-381-080		CAP, ELECT 330-16V	C786	87-010-401-080		CAP, ELECT 1-50V<EXCEPT HR>
C702	87-010-404-080		CAP, ELECT 4.7-50V	C787	87-012-275-080		C-CAP,U 1200P-50 B
C703	87-012-286-080		CAP, U 0.01-25	C788	87-012-275-080		C-CAP,U 1200P-50 B
C704	87-012-286-080		CAP, U 0.01-25	C789	87-012-275-080		C-CAP,U 1200P-50 B
C705	87-A10-592-080		C-CAP,S 0.015-50 <EXCEPT EZ,K>	C790	87-012-275-080		C-CAP,U 1200P-50 B
C706	87-A10-592-080		C-CAP,S 0.015-50 <EXCEPT EZ,K>	C791	87-010-405-080		CAP, ELECT 10-50V
C709	87-012-195-080		C-CAP,U 100P-50CH	C793	87-012-273-080		C-CAP,U 820P-50 B
C711	87-010-553-080		CAP,E 47-16 M 5L<HR>	C794	87-010-406-080		CAP, ELECT 22-50
C711	87-010-260-080		CAP,ELECT 47-25<EXCEPT HR>	C795	87-010-596-080		CAP, S 0.047-16
C712	87-010-831-080		C-CAP,U,0.1-16F	C796	87-010-403-080		CAP, ELECT 3.3-50V
C714	87-012-286-080		CAP, U 0.01-25	C797	87-012-276-080		C-CAP,U 1500P-50 B<EZ,K>
C717	87-012-286-080		CAP, U 0.01-25	C798	87-012-276-080		C-CAP,U 1500P-50 B<EZ,K>
C718	87-012-179-080		C-CAP,U 20P-50CH<V>	C799	87-010-829-080		CAP, U 0.047-16
C719	87-012-286-080		CAP, U 0.01-25	C805	87-012-286-080		CAP, U 0.01-25
C720	87-012-195-080		C-CAP,U 100P-50CH	C806	87-012-286-080		CAP, U 0.01-25
C721	87-012-176-080		CAP 15P	C812	87-012-286-080		CAP, U 0.01-25
C722	87-012-176-080		CAP 15P	C814	87-012-286-080		CAP, U 0.01-25<EZ,K>
C723	87-012-274-080		CHIP CAP,U 1000P-50B	C820	87-010-260-080		CAP, ELECT 47-25V
C725	87-018-131-080		CAP,TC U 1000P-50 K B<EZ,K>	C821	87-012-286-080		CAP, U 0.01-25
C725	87-012-274-080		CHIP CAP,U 1000P-50B<EXCEPT EZ,K>	C822	87-012-286-080		CAP, U 0.01-25
C727	87-010-196-080		CHIP CAPACITOR,0.1-25	C823	87-012-286-080		CAP, U 0.01-25
C728	87-010-248-080		CAP, ELECT 220-10V	C828	87-010-196-080		CHIP CAPACITOR,0.1-25
C729	87-012-274-080		CHIP CAP,U 1000P-50B	C829	87-010-196-080		CHIP CAPACITOR,0.1-25
C731	87-012-286-080		CAP, U 0.01-25	C859	87-012-286-080		CAP, U 0.01-25<556EZ>
C733	87-012-280-080		C-CAP,U 3300P-50 KB<EZ,K>	C861	87-012-199-080		C-CAP,U 220P-50 J CH<556EZ>
C733	87-010-987-080		C-CAP,S 1500P-50 CH<EXCEPT EZ,K>	C862	87-012-199-080		C-CAP,U 220P-50 J CH<556EZ>
C734	87-012-280-080		C-CAP,U 3300P-50 KB<EZ,K>	C863	87-012-270-080		C-CAP,U 470P-50 K B<556EZ>
C734	87-010-987-080		C-CAP,S 1500P-50 CH<EXCEPT EZ,K>	C864	87-010-405-080		CAP, ELECT 10-50V<556EZ>
C735	87-010-987-080		C-CAP,S 1500P-50 CH<EXCEPT EZ,K>	C865	87-010-196-080		CHIP CAPACITOR,0.1-25<556EZ>
				C866	87-010-405-080		CAP, ELECT 10-50V<556EZ>

REF. NO.	PART NO.	KANRI NO.	DESCRIPTION	REF. NO.	PART NO.	KANRI NO.	DESCRIPTION
C867	87-012-286-080		CAP, U 0.01-25<556EZ>	SW3	87-A90-248-019		SW,MICRO ESE11SH2CXQ
C868	87-012-184-080		C-CAP,U 33P-50 J CH<556EZ>	SW4	87-036-110-019		SW,MICRO SPPB62
C869	87-012-180-080		C-CAP,U 22P-50 J CH<556EZ>	SW5	87-036-110-019		SW,MICRO SPPB62
C940	87-012-286-080		C-CAP,U 0.01-25 KB<EXCEPT V>	SW6	87-036-110-019		SW,MICRO SPPB62<HR>
C941	87-012-180-080		C-CAP,U 22P-50 J CH<HR>	SW8	87-A90-248-019		SW,MICRO ESE11SH2CXQ<HR>
C942	87-012-172-080		C-CAP,U 10P-50 CH<EZ,K>	SW9	87-A90-248-019		SW,MICRO ESE11SH2CXQ<HR>
C943	87-012-286-080		C-CAP,U 0.01-25 KB<HR>	W1	82-ZM3-601-019		RBN,CORD,4P-75
C944	87-014-051-080		CAP,PP 560P-100 J PL<HR>				
C945	87-012-286-080		C-CAP,U 0.01-25 KB<HR>				
C947	87-012-286-080		C-CAP,U 0.01-25 KB<EXCEPT V>				
C949	87-A10-039-080		C-CAP,U 470P-50 J CH<EZ,K>				
C950	87-014-073-080		CAP,PP 4700P-100J<HR>		85-ZM3-602-010		PWB,FLEX A
C952	87-012-286-080		C-CAP,U 0.01-25 KB<EXCEPT V>				
C953	87-012-286-080		C-CAP,U 0.01-25 KB<HR>				
C954	87-012-358-080		C-CAP,S 0.47-10 ZF<HR>				
C956	87-010-263-080		CAP,E 100-10M 11L<HR>		85-ZM3-602-010		PWB,FLEX A
C958	87-017-197-080		C-CAP,S 0.01-25 K B<EZ,K>	CON351	87-NF6-616-010		CONN ASSY,8P-RPB
C959	87-010-831-080		C-CAP,U 0.1-16 ZF<EXCEPT V>				
C959	87-010-196-080		CHIP CAPACITOR,0.1-25<V>				
C960	87-012-350-080		C-CAP,1-25 ZF<HR>				
C960	87-010-196-080		CHIP CAPACITOR,0.1-25<EZ,K>				
C961	87-012-174-080		CAP CHIP CERA SS 12P CH J				
C962	87-010-401-080		CAP,E 1-50 M 11L				
C963	87-010-196-080		CHIP CAPACITOR,0.1-25<V>				
CF801	87-008-261-010		FILTER, SFE10.7MA5-A<EXCEPT EZ,K>				
CF801	87-008-423-010		FILTER, CF SFE10.7MS3 G-A<EZ,K>				
CF802	87-008-261-010		FILTER, SFE10.7MA5-A<EXCEPT EZ,K>				
CF802	82-785-747-010		CF,MS2 GHY R<EZ,K>				
CN701	87-A60-700-010		CONN,13P H GRY <EXCEPT 556EZ>				
CN701	87-A60-650-010		CONN,16P H GRY TUC-P16X-C1<556EZ>				
FFE801	A8-8ZA-190-030		8ZA-1 FEUNM<HR>				
FFE801	A8-6ZA-193-130		6ZA-1 FEVNM<V>				
FFE801	A8-6ZA-191-130		6ZA-1 FEENM<EZ,K>				
J801	87-A60-703-010		TERMINAL,ANT3P CJ-9037<HR>				
J801	87-A60-702-010		TERMINAL,ANT4P CJ-9306<V>				
J940	81-754-629-010		CONNECTOR XH 2P (UL)				
L771	87-A50-266-010		COIL,FM DET-2N(TOK)				
L772	87-A90-052-010		FLTR,CFMT-450A(TOK)<HR>				
L772	87-A90-733-010		FLTR,PCFAZH-450(TOK)<EZ,K>				
L772	87-A91-110-010		FLTR,PCFJZH-450(TOK)<V>				
L781	87-005-847-010		COIL,2.2UH K CECS<EZ,K>				
L791	87-A50-027-010		COIL 1 POLE MPX(TOK)<EZ,K>				
L792	87-A50-027-010		COIL 1 POLE MPX(TOK)<EZ,K>				
L832	87-005-847-010		COIL,2.2UH K CECS<EZ,K>				
L851	87-005-847-010		COIL,2.2UH K CECS<556EZ>				
L941	87-A50-022-010		COIL,ANT SW(COI)7.96MHZ<HR>				
L941	87-A50-020-010		COIL,ANT LW(COI)252KHZ<EZ,K>				
L942	87-A50-173-010		COIL,OSC SW-N(COI)<HR>				
L942	87-A50-019-010		COIL,OSC LW-N(COI)856KHZ<EZ,K>				
L943	87-A50-432-010		COIL,1MH K CW<HR>				
L944	87-A50-159-010		COIL,10MH K C2B<HR>				
L981	88-NF8-625-110		COIL,AM PACK 3N(TOK)<HR>				
L981	87-NF4-651-110		COIL,AM PACK 2N<EZ,K>				
L981	8Z-ZA1-664-010		COIL,AM PACK 4N(TOK)<V>				
TC941	87-011-220-080		TRIMMER,CER 20P 6.15X5.9				
TC942	87-011-164-010		TRIMMER,CER 30P 4.5X3.9<EZ,K>				
TC943	87-011-221-080		TRIMMER,CER 30P 6.15X5.9<HR>				
X721	87-A70-061-010		VIB,XTAL 4.500MHZ CSA-309				
X771	87-030-354-010		VIB,CER 450.0KHZ BFU C<HR>				
X851	87-A70-091-010		VIB,XTAL 4.332MHZ CSA-309<556EZ>				
DECK C.B							
CON105	87-099-753-019		CONN,11P 9604<EXCEPT HR>				
CON105	87-099-756-019		CONN,15P 9604 S F<HR>				
CON301	85-MA2-615-010		CONN,ASSY 3P<EXCEPT HR>				
SFR1	87-024-581-019		SFR,3.3K DIA 6H				
SOL1	82-ZM1-618-410		SOL ASSY,27				
SOL2	82-ZM1-618-410		SOL ASSY,27				
SW1	87-A90-248-019		SW,MICRO ESE11SH2CXQ				
SW2	87-A90-248-019		SW,MICRO ESE11SH2CXQ				

# TRANSISTOR ILLUSTRATION



2SA1235 CMBT5551  
 2SC3052 CMBT5401  
 2SD1306 RT1N141C  
 2SC3906 RT1P141C  
 KTA1298 RT1P441C



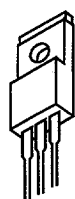
E C B  
 CC5551  
 CSA1585



B C E  
 2SD2495  
 2SB1626



E C B  
 2SC4115  
 DTC114ES

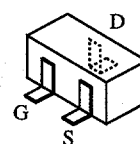


B C E

2SB1370  
 2SD1933  
 2SB1342  
 FN1016  
 FP1016  
 2SB1344  
 2SD2025



E C B  
 KTA1266  
 KTC3198

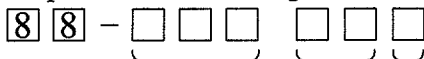


2SK2158

## ○チップ抵抗部品コード/CHIP RESISTOR PART CODE

チップ抵抗部品コードの成り立ち

Chip Resistor Part Coding



A  
 抵抗部品コード  
 Resistor Code

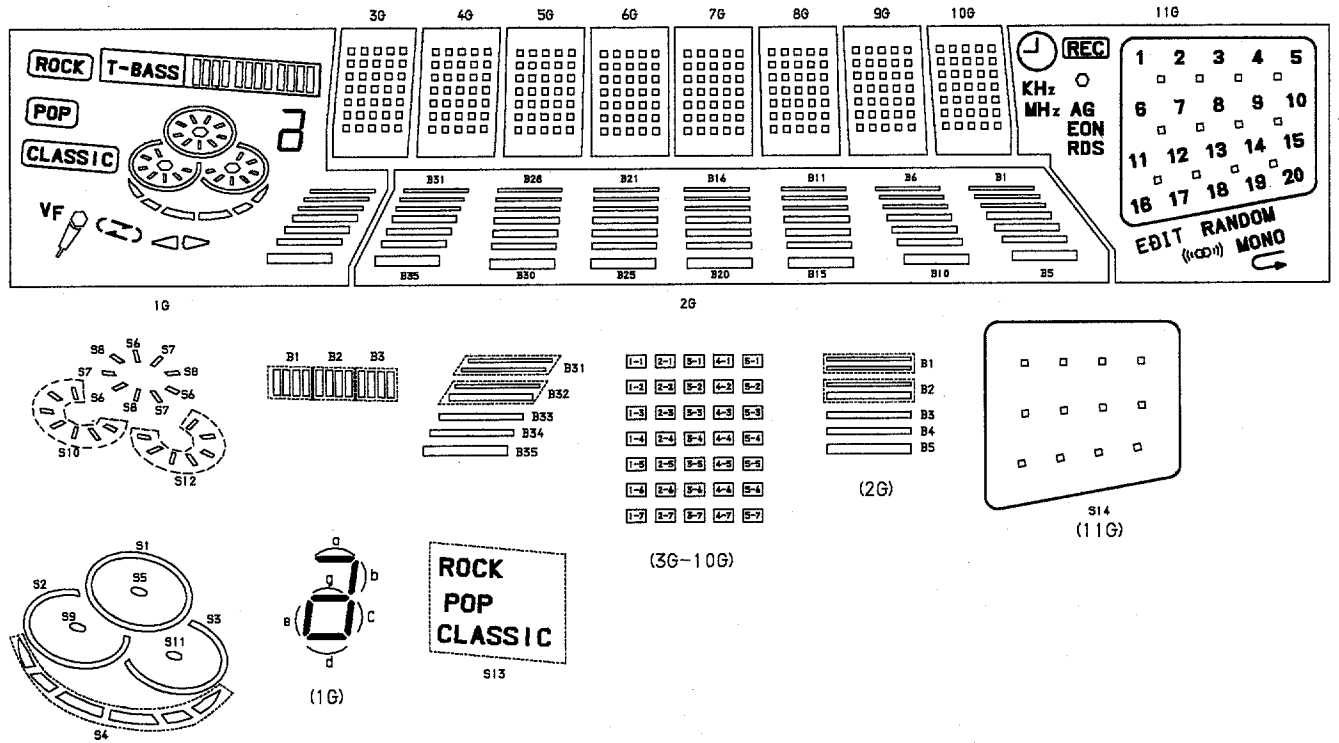
桁表示  
 Figure  
 抵抗値  
 Value of resistor

## チップ抵抗 Chip resistor

容量 Wattage	種類 Type	許容誤差 Tolerance	記号 Symbol	寸法/Dimensions (mm)			抵抗コード : A Resistor Code : A	
				外形/Form	L	W		t
1/16W	1005	± 5%	CJ		1.0	0.5	0.35	104
1/16W	1608	± 5%	CJ		1.6	0.8	0.45	108
1/10W	2125	± 5%	CJ		2	1.25	0.45	118
1/8W	3216	± 5%	CJ		3.2	1.6	0.55	128

# FL GRID ASSIGNMENT & ANODE CONNECTION

## GRID ASSIGNMENT

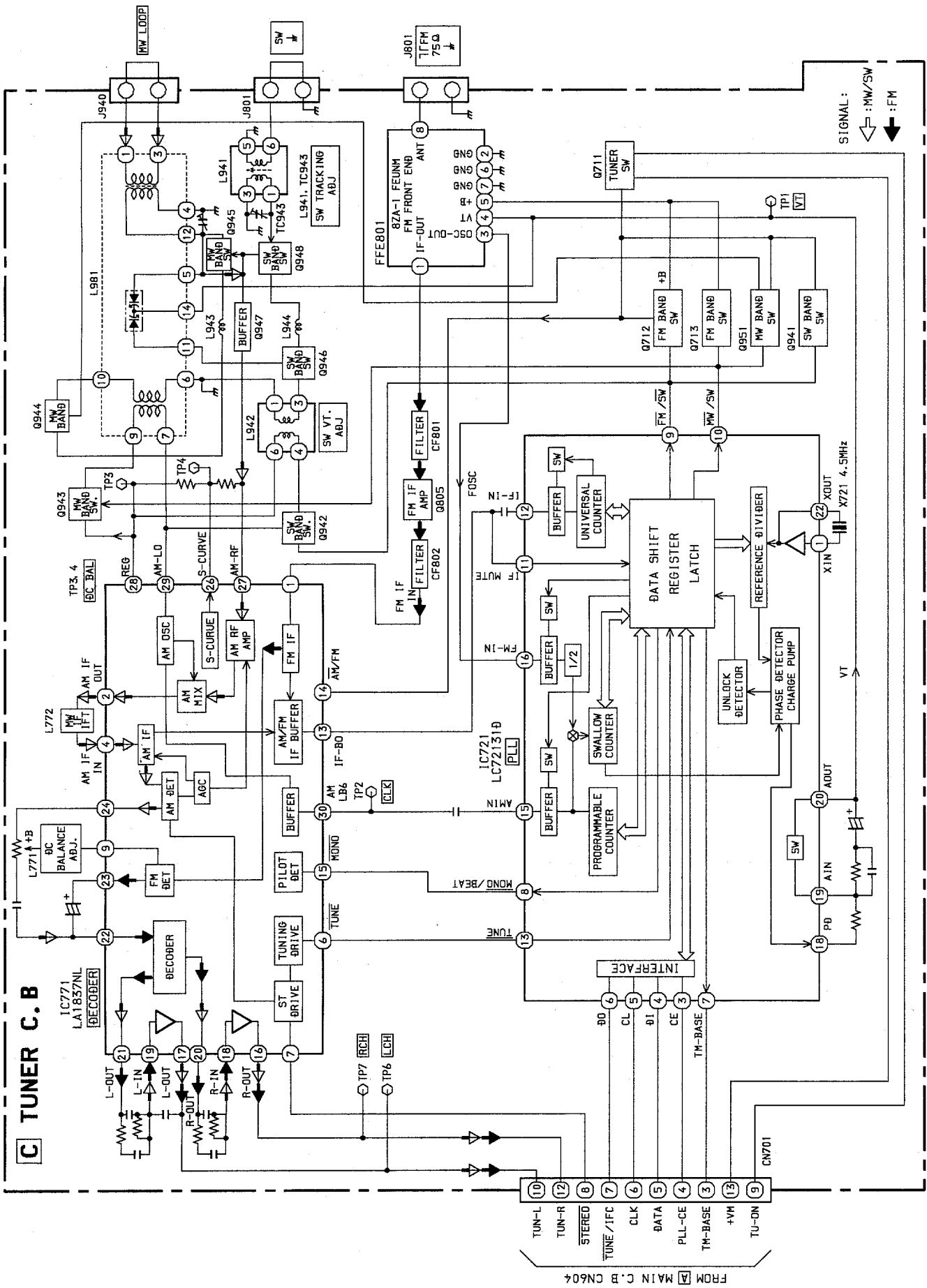


## ANODE CONNECTION

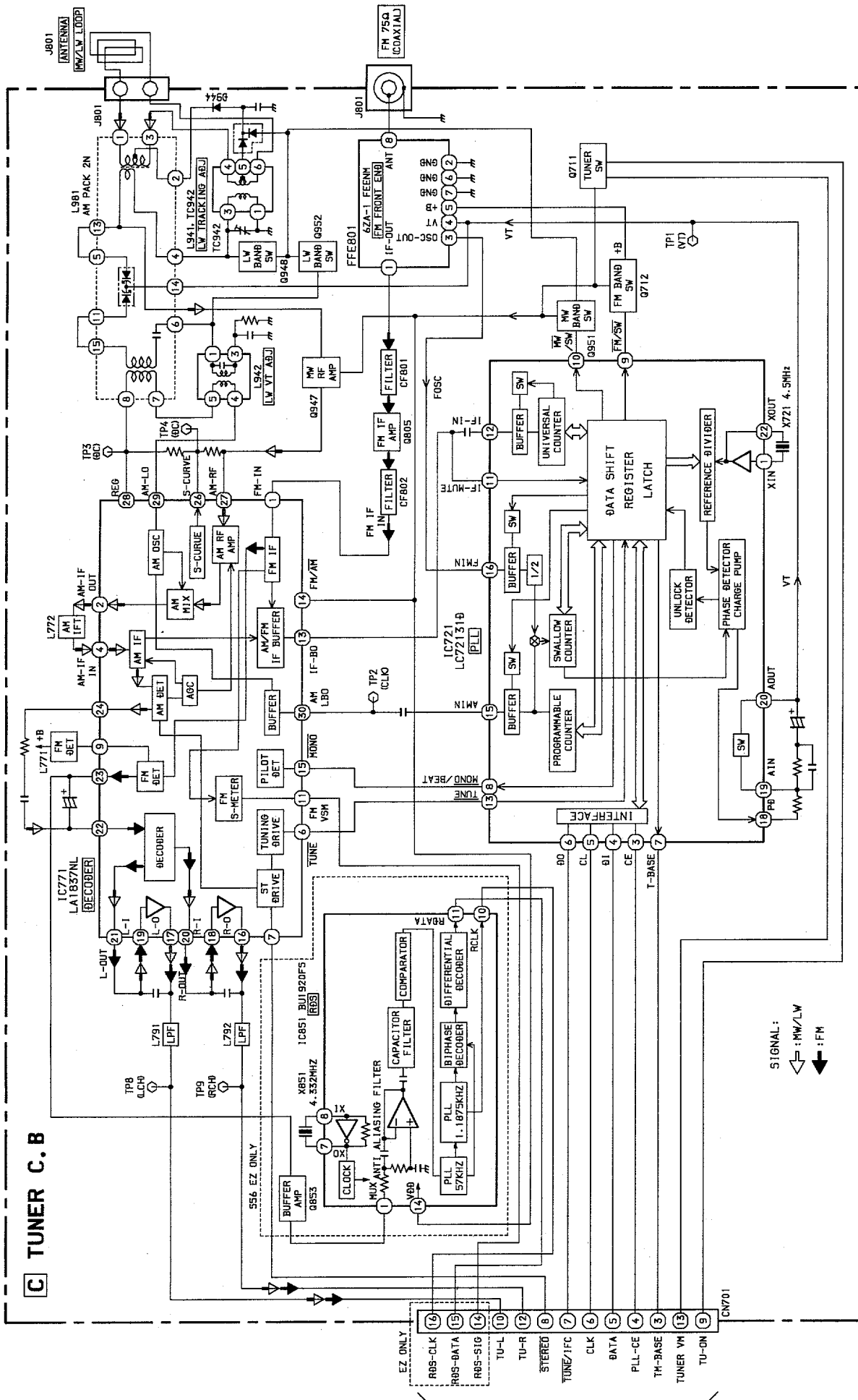
	1G	2G	3G-10G	11G
P1	S13	B35	1-1	↻
P2	ROCK	B30	2-1	MONO
P3	POP	B25	3-1	RANDOM
P4	CLASSIC	B20	4-1	((∞∞))
P5	VF	B15	5-1	EDIT
P6	(	B10	1-2	⌚
P7	↘	B5	2-2	REC
P8	)	B34	3-2	KHz
P9	∩	B29	4-2	MHz
P10	∪	B24	5-2	○
P11	S4	B19	1-3	AG
P12	S2	B14	2-3	EON
P13	S10	B9	3-3	RDS
P14	S9	B4	4-3	S14
P15	S3	B33	5-3	20
P16	S12	B28	1-4	19
P17	S11	B23	2-4	18
P18	S1	B18	3-4	17

	1G	2G	3G-10G	11G
P19	S6	B13	4-4	16
P20	S7	B8	5-4	15
P21	S8	B3	1-5	14
P22	S5	B32	2-5	13
P23	T-BASS	B27	3-5	12
P24	B1	B22	4-5	11
P25	B2	B17	5-5	10
P26	B3	B12	1-6	9
P27	e	B7	2-6	8
P28	a, g, d	B2	3-6	7
P29	b	B31	4-6	6
P30	c	B26	5-6	5
P31	B35	B21	1-7	4
P32	B34	B16	2-7	3
P33	B33	B11	3-7	2
P34	B32	B6	4-7	1
P35	B31	B1	5-7	-

BLOCK DIAGRAM - 1 (TUNER : HR)

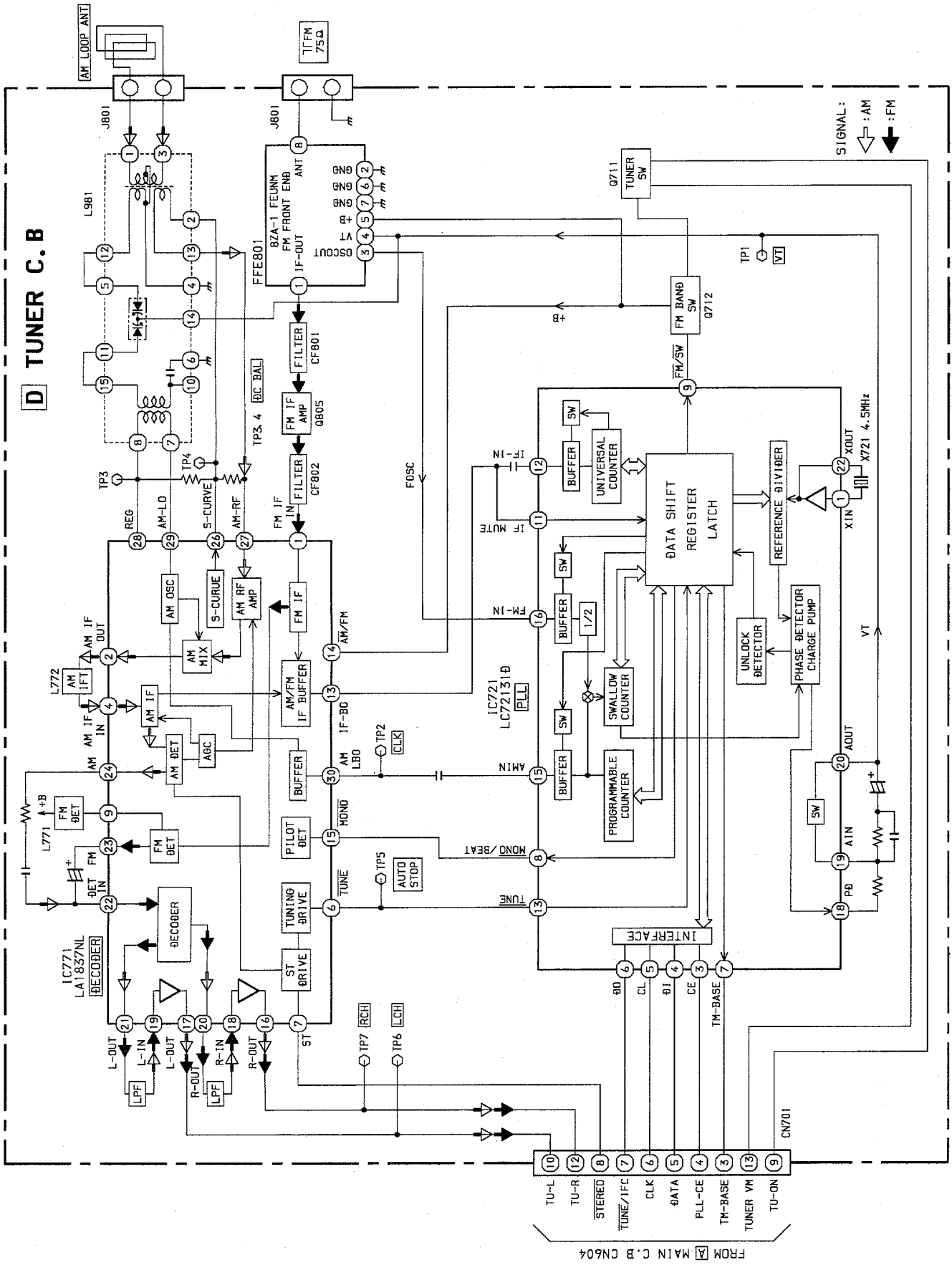


BLOCK DIAGRAM - 2 (TUNER : EZ, K)

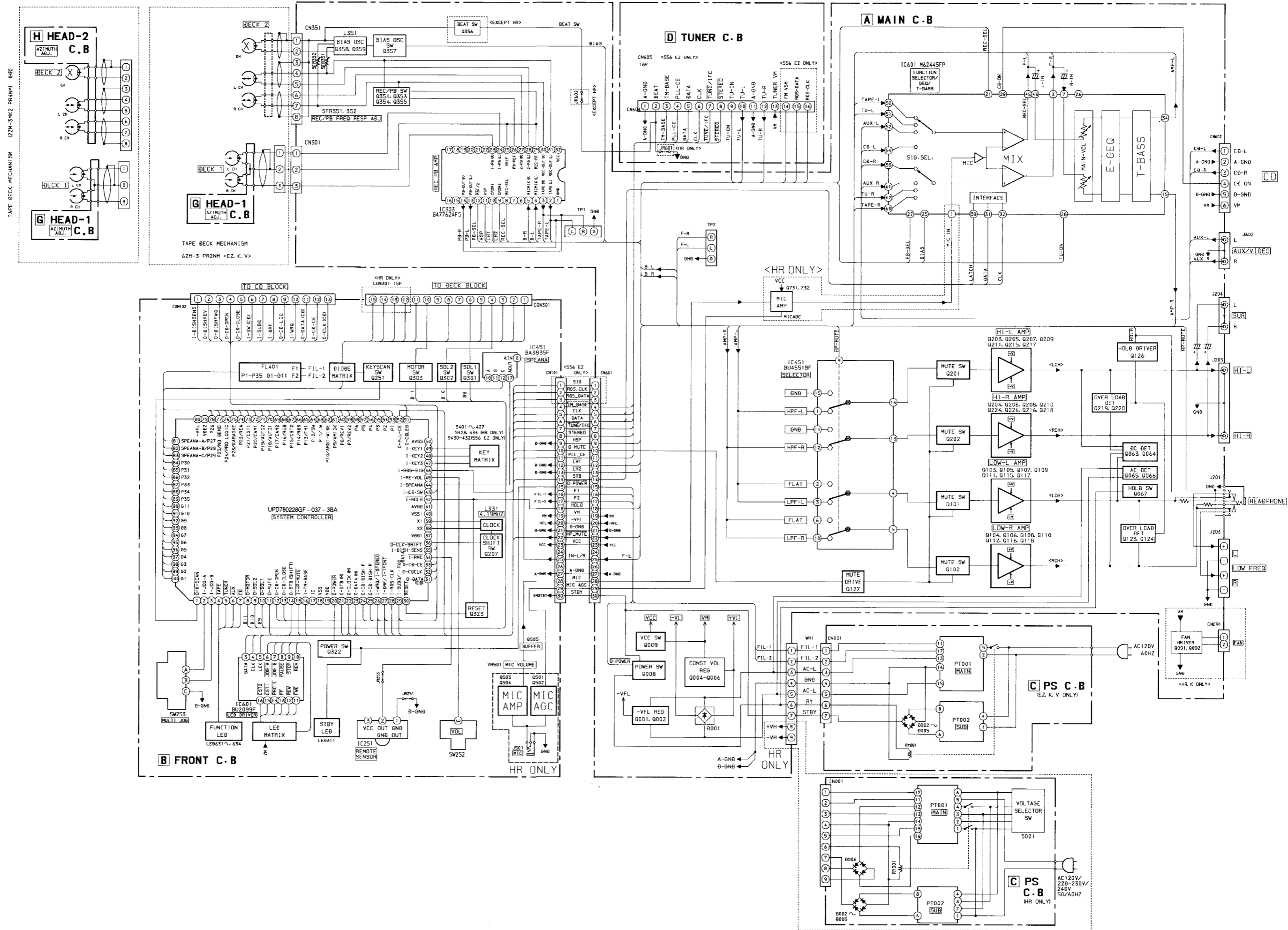


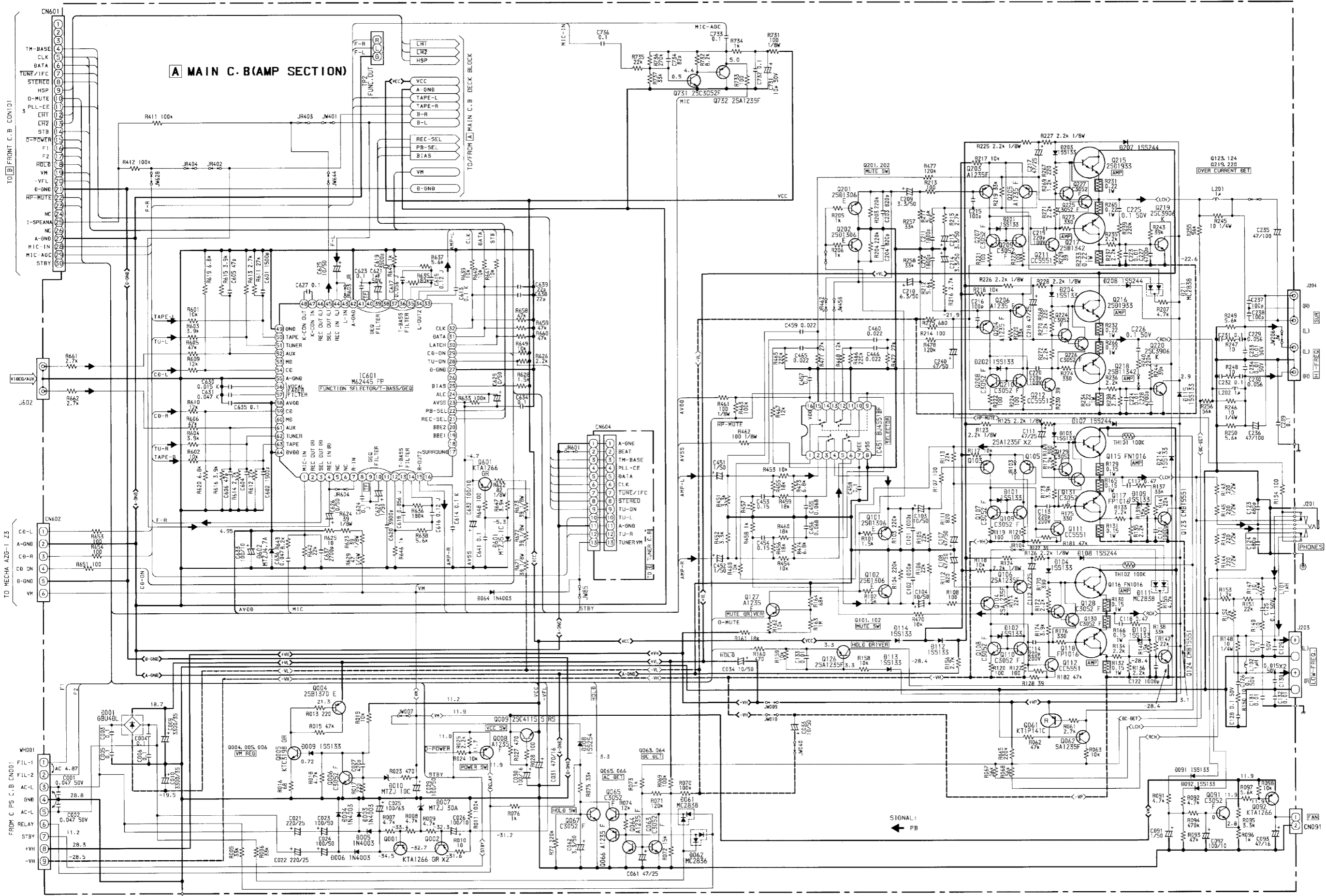
TO MAIN C.B CN605 556 EZ/CN604 555 EZ, K

BLOCK DIAGRAM - 3 (TUNER : V)









10 FRONT C.B. CON101

TO MECHA AZG-1 Z3

FROM C.P.S. C.B. CN001

**A MAIN C.B. (AMP SECTION)**

- TM-BASE
- CLK
- BATA
- TUNE/IFC
- STEREO
- HSP
- O-MUTE
- PLL-CE
- LH2
- STB
- 5-POWER
- F1
- F2
- RDLD
- VM
- YFL
- B-GND
- HP-MUTE
- NC
- 1-SPEAKR
- NC
- A-GND
- MIC-IN
- MIC-AGC
- STBY

- VCC
- A-GND
- TAPE-L
- TAPE-R
- B-R
- B-L
- REC-SEL
- PB-SEL
- BIAS
- VH
- B-GND

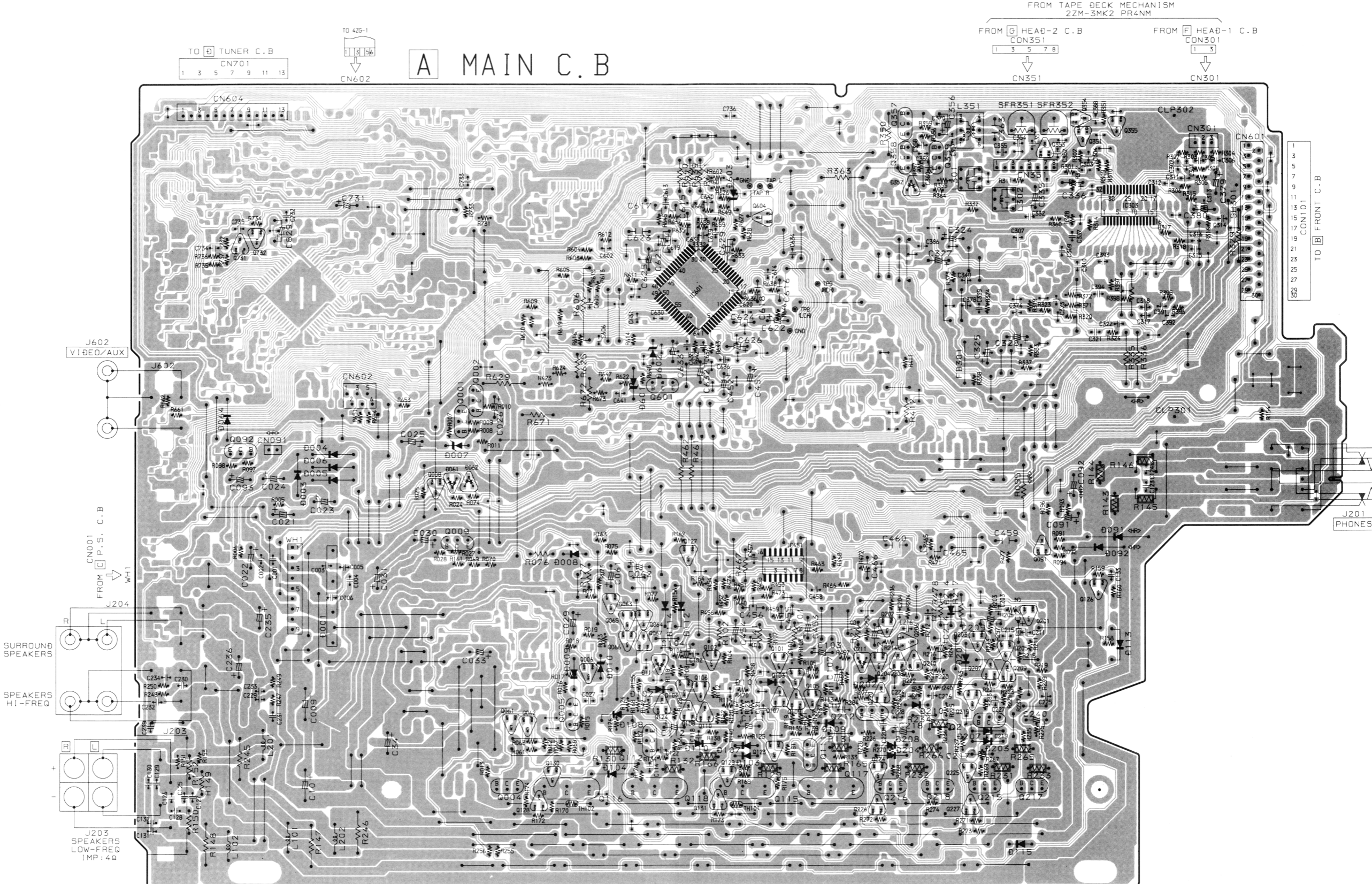
- LH1
- LH2
- HSP

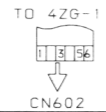
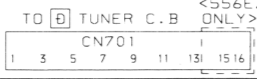
- CLK
- DATA
- BATA
- STB
- 5-POWER
- F1
- F2
- RDLD
- VM
- YFL
- B-GND
- HP-MUTE
- NC
- 1-SPEAKR
- NC
- A-GND
- MIC-IN
- MIC-AGC
- STBY

- A-GND
- BEAT
- TM-BASE
- PLL-CE
- CLK
- DATA
- BATA
- STB
- 5-POWER
- F1
- F2
- RDLD
- VM
- YFL
- B-GND
- HP-MUTE
- NC
- 1-SPEAKR
- NC
- A-GND
- MIC-IN
- MIC-AGC
- STBY

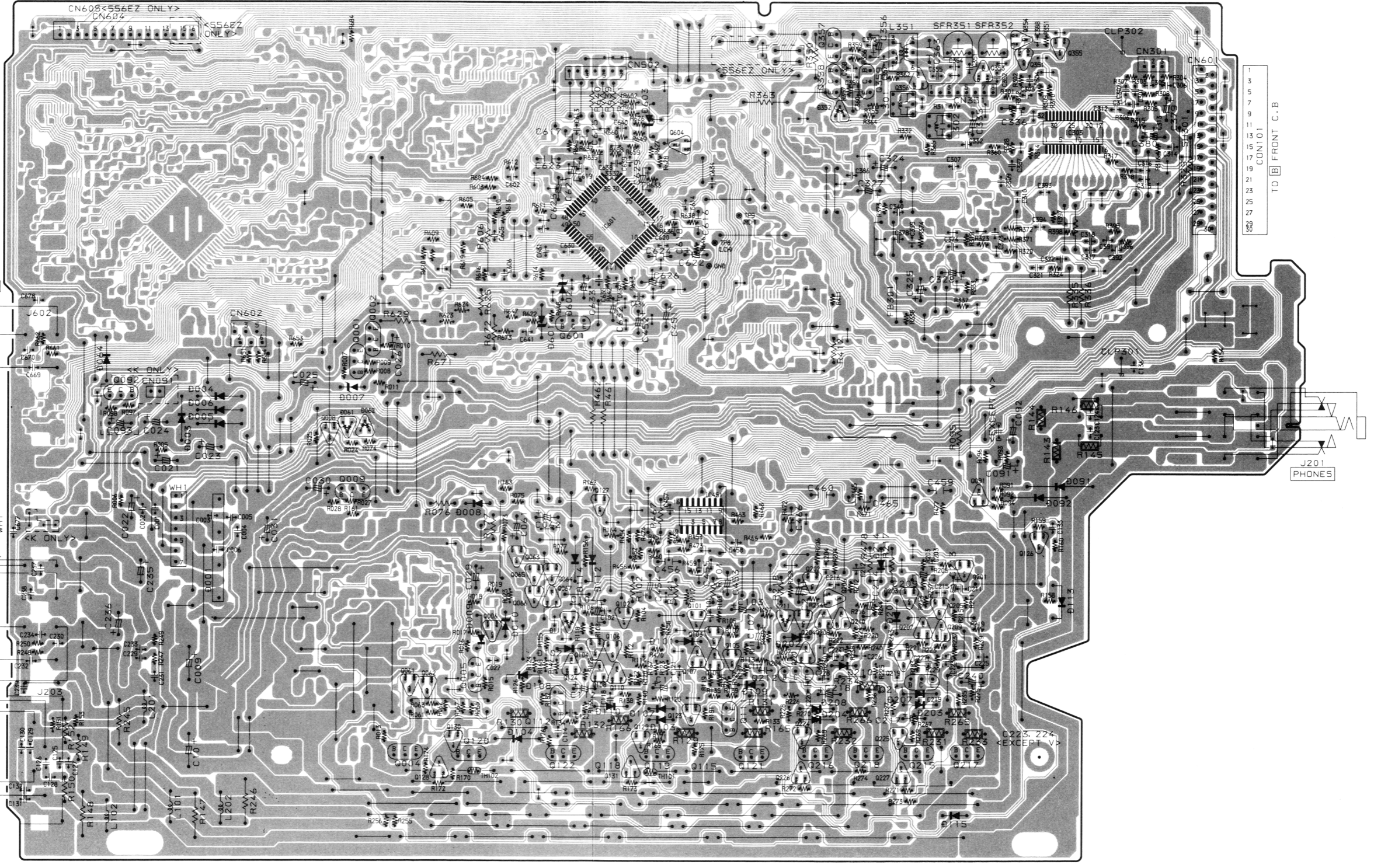
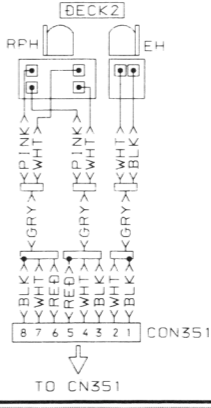
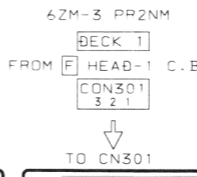
- FIL-1
- FIL-2
- AC-L
- GND
- AC-L
- RELAY
- STBY
- YH
- VH

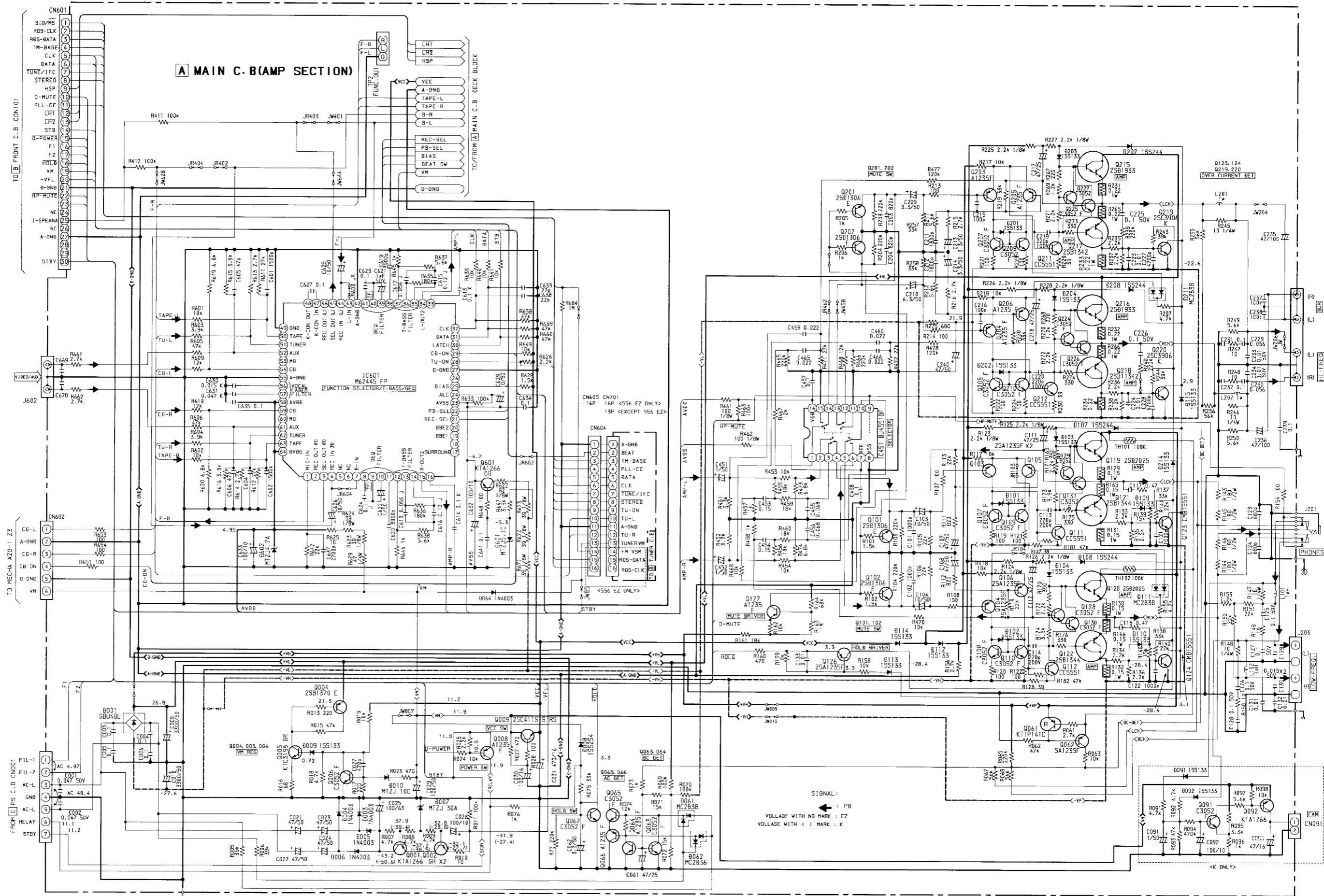
A  
B  
C  
D  
E  
F  
G  
H  
I  
J





# A MAIN C.B

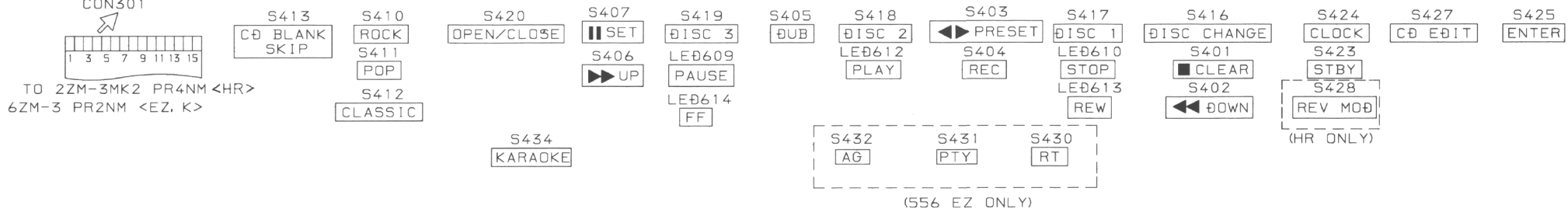
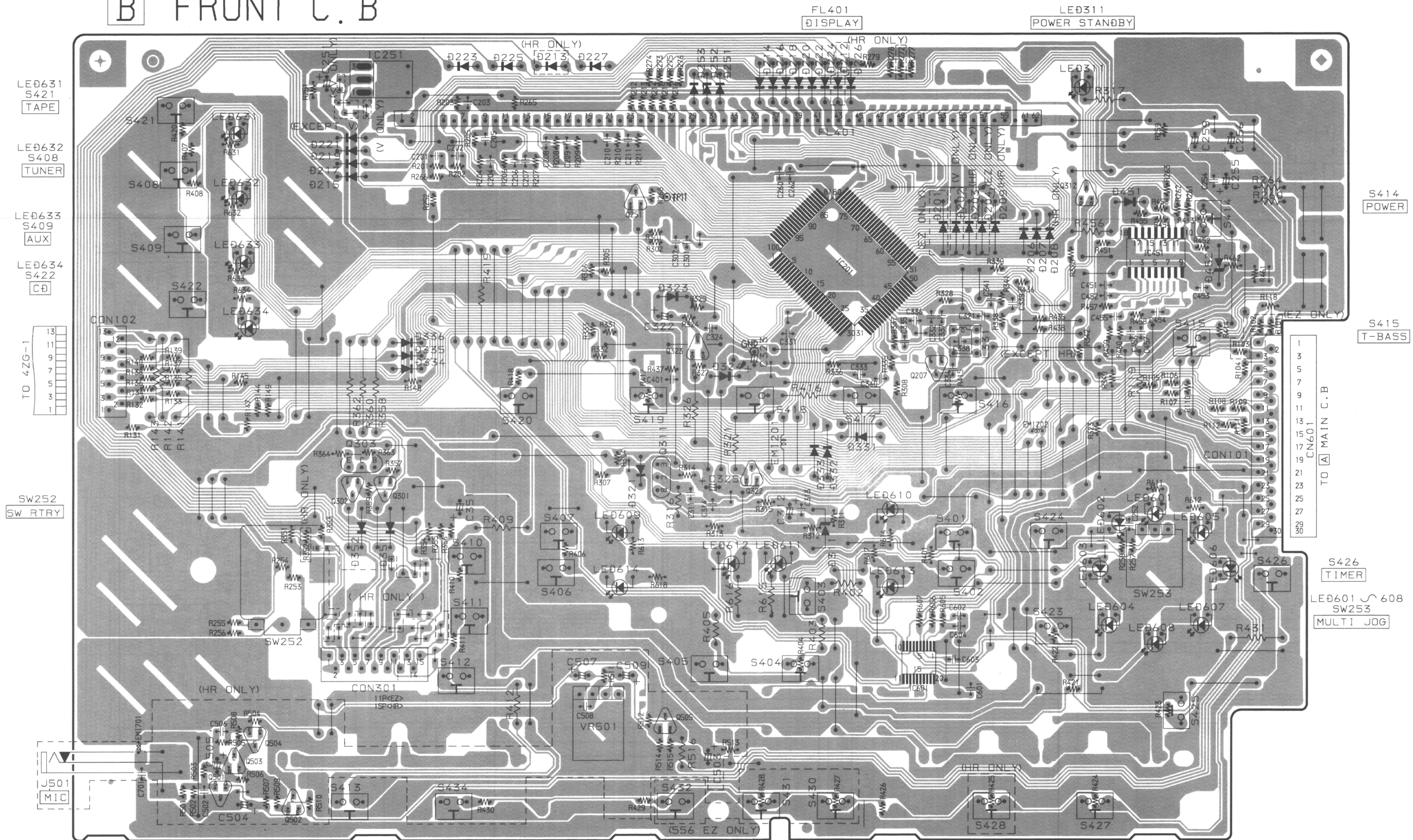


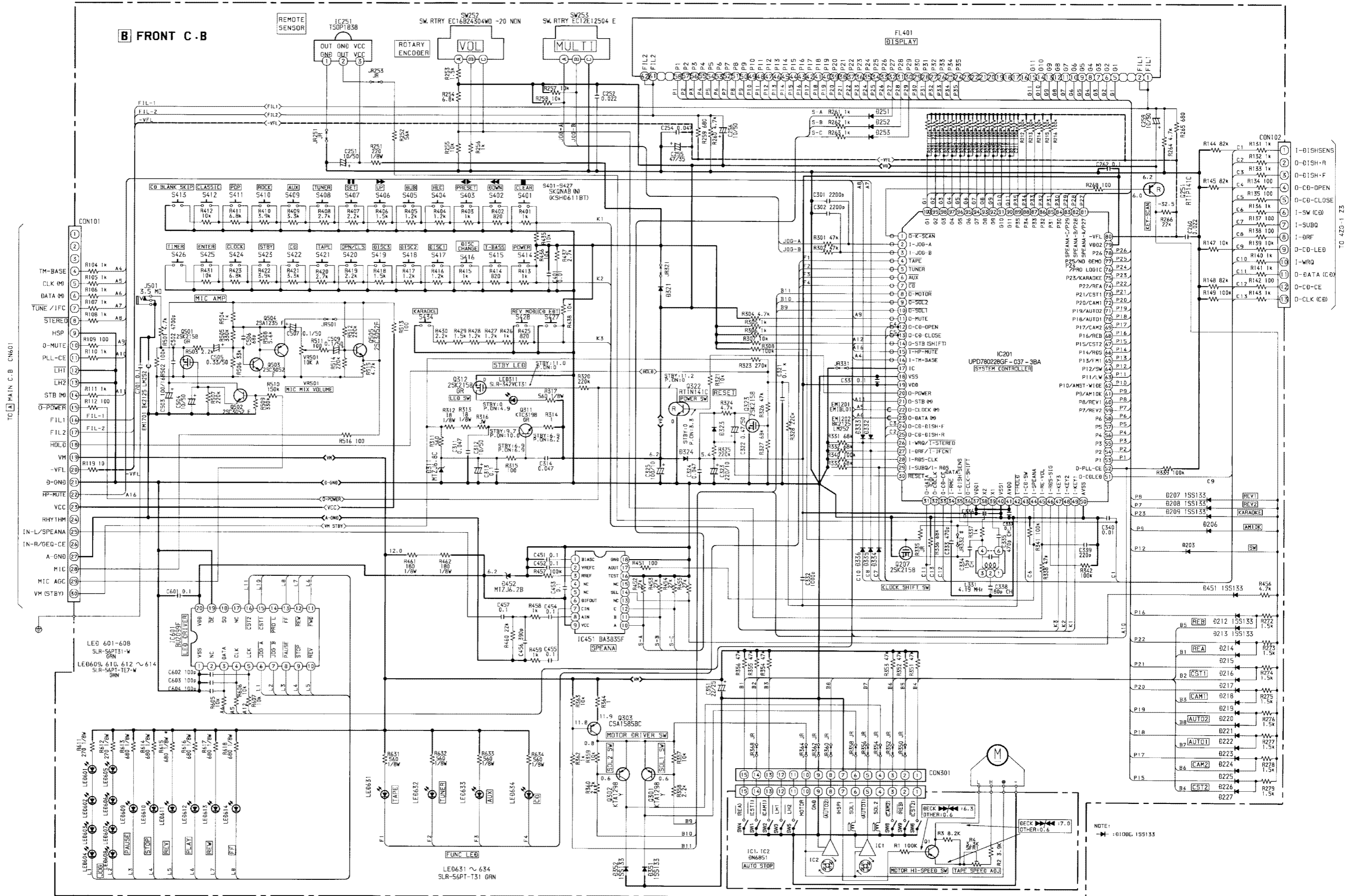


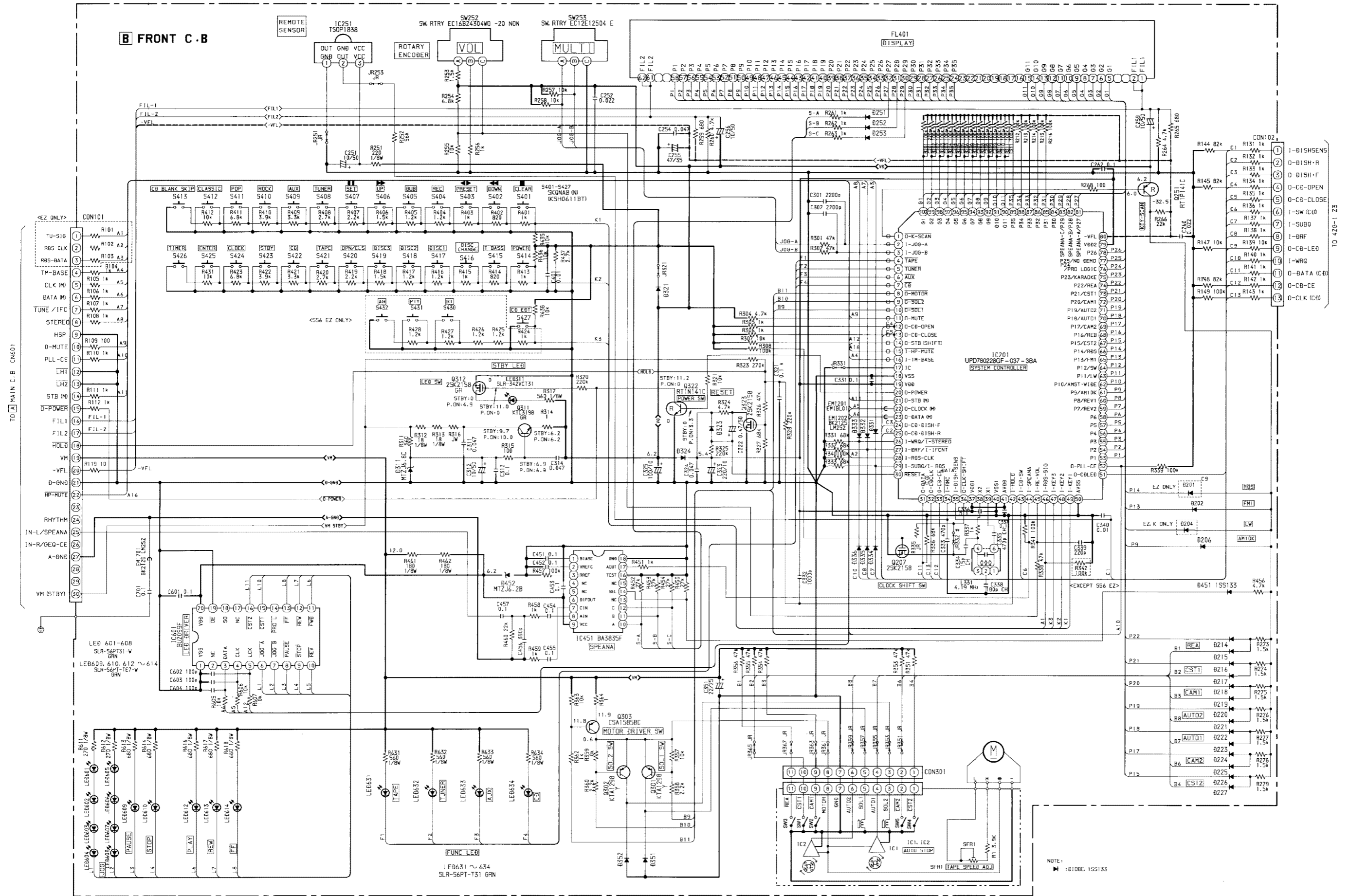
1 2 3 4 5 6 7 8 9 10 11 12 13 14 15 16 17 18 19 20

A  
B  
C  
D  
E  
F  
G  
H  
I  
J  
K  
L  
M  
N

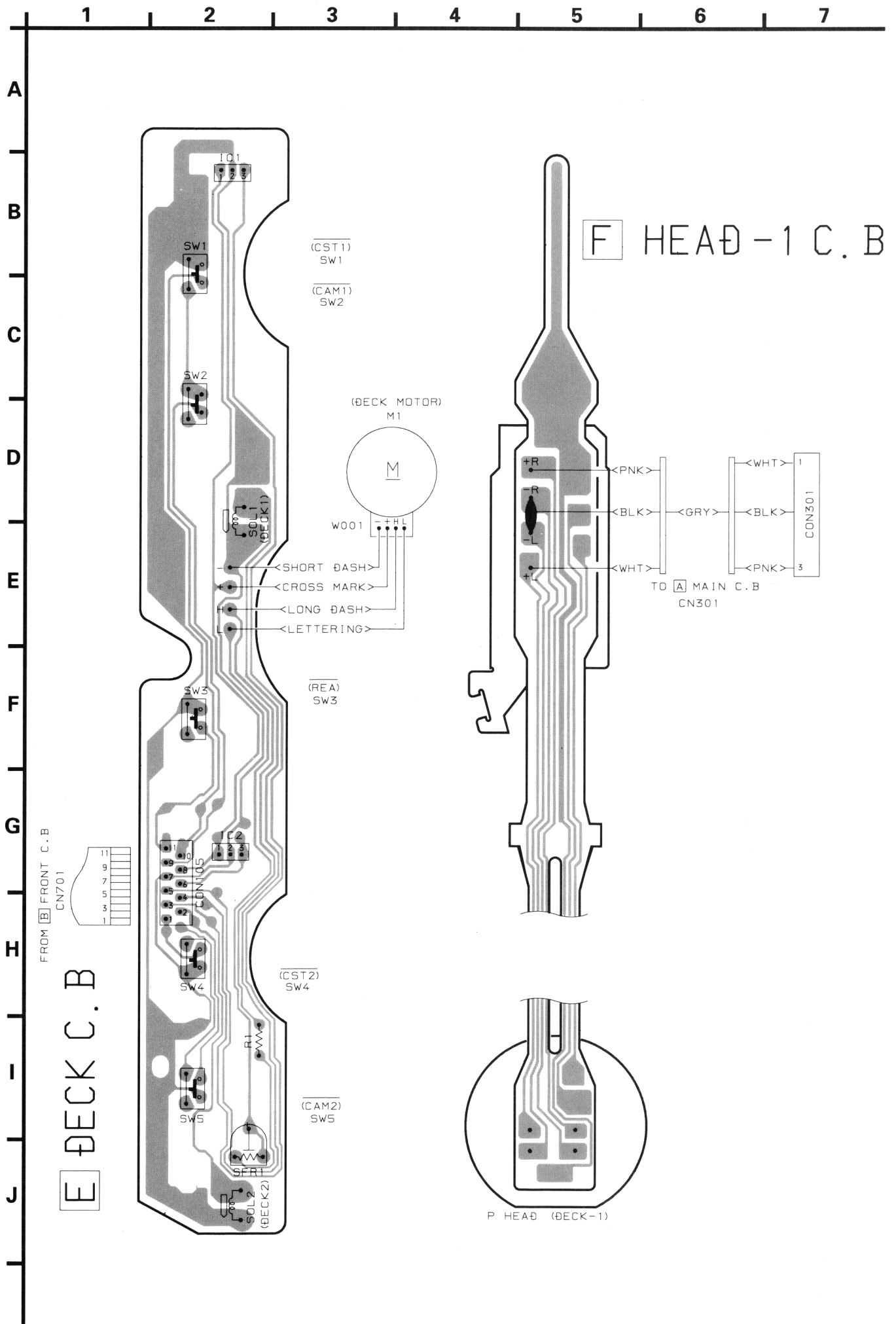
**B FRONT C.B**

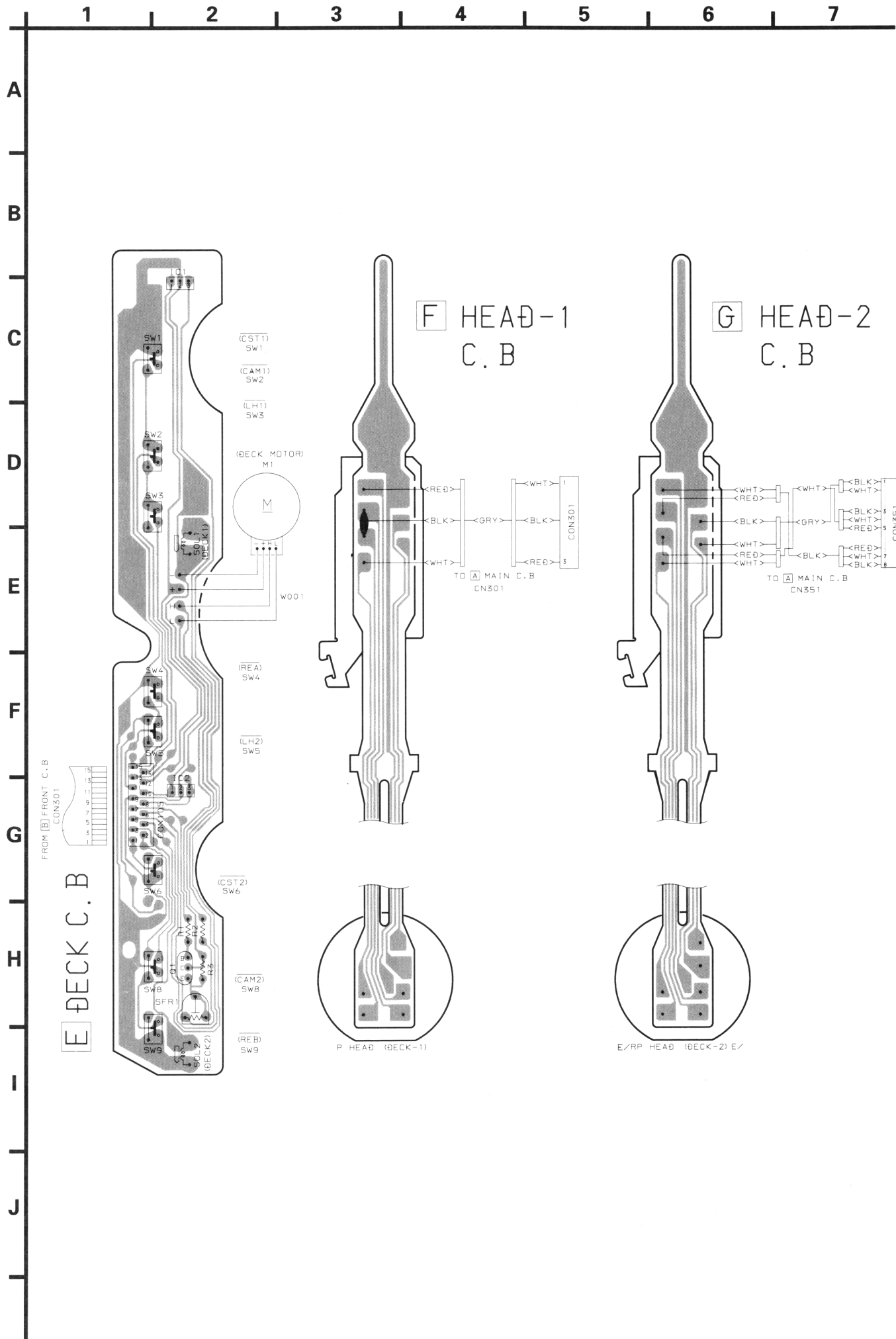












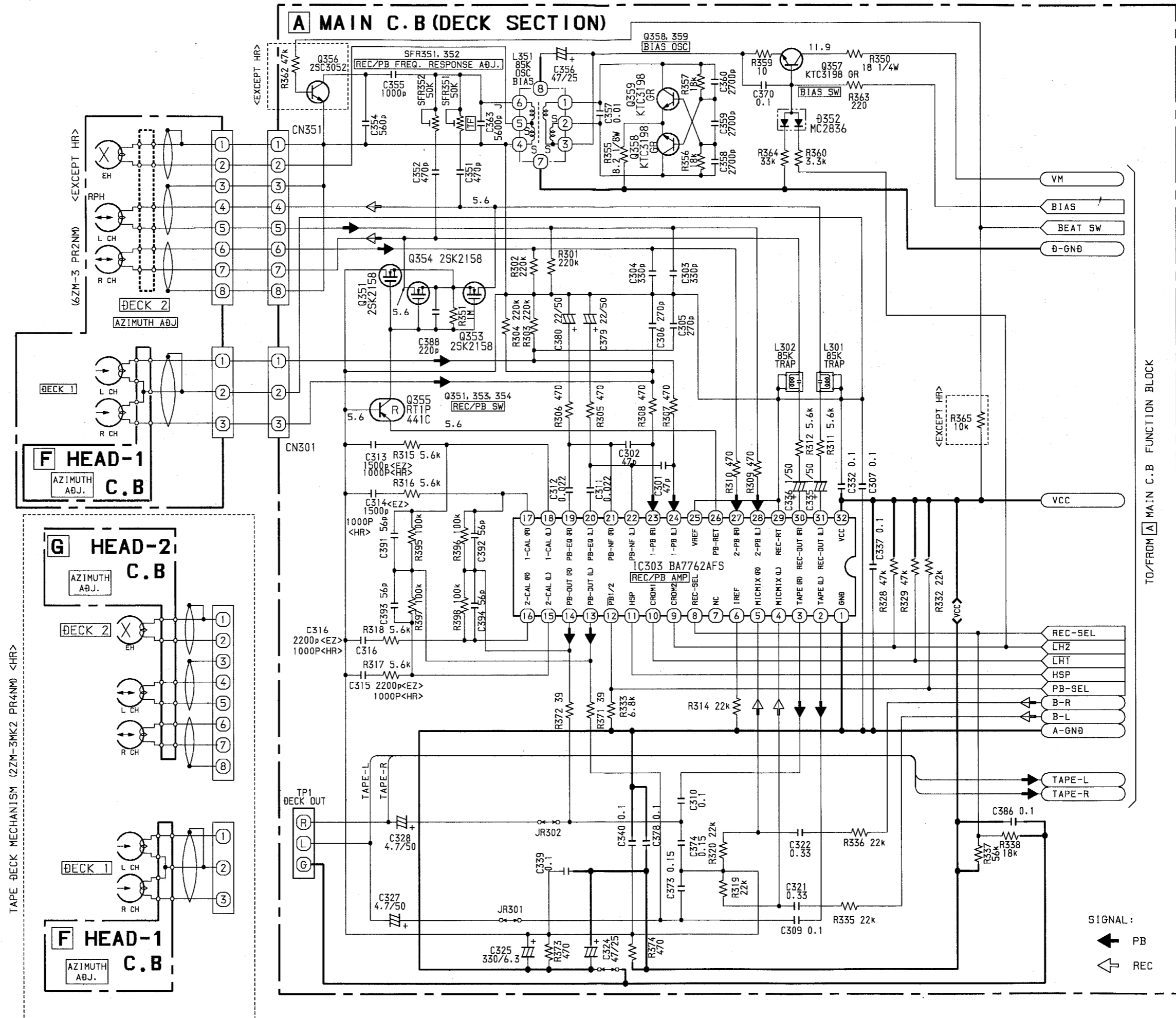
**E DECK C.B.**

**F HEAD-1 C.B.**

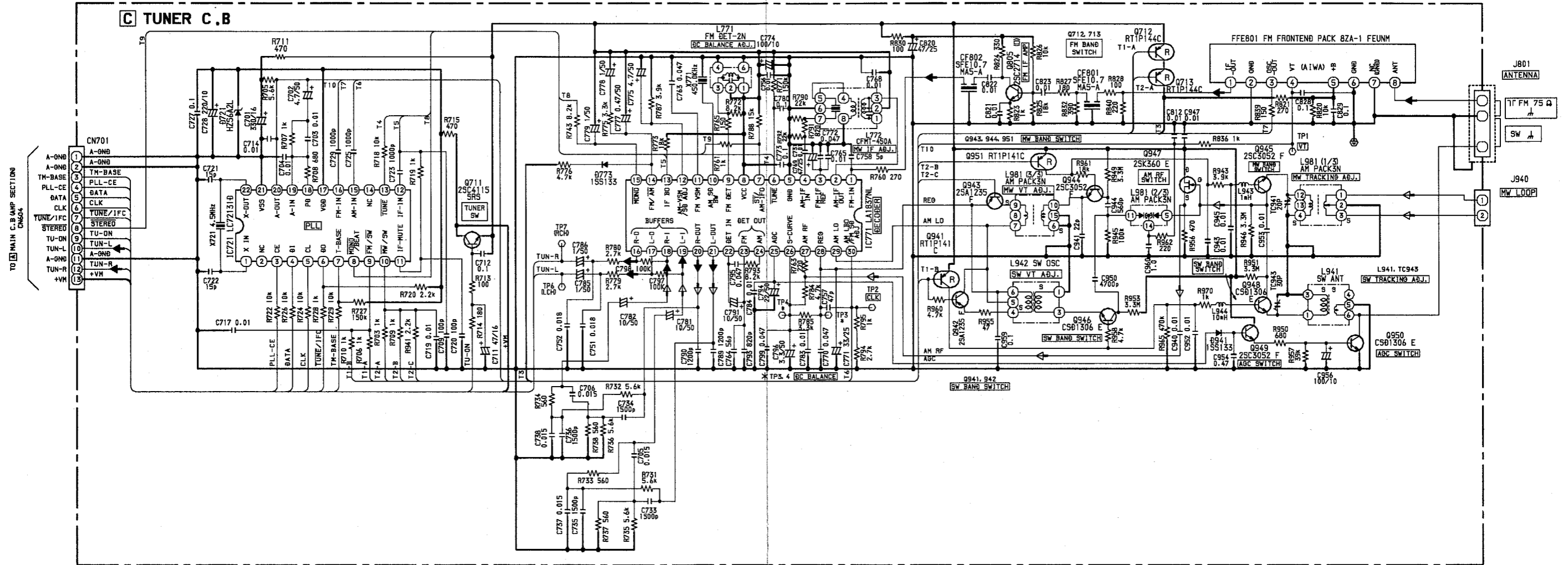
**G HEAD-2 C.B.**

P HEAD (BECK-1)

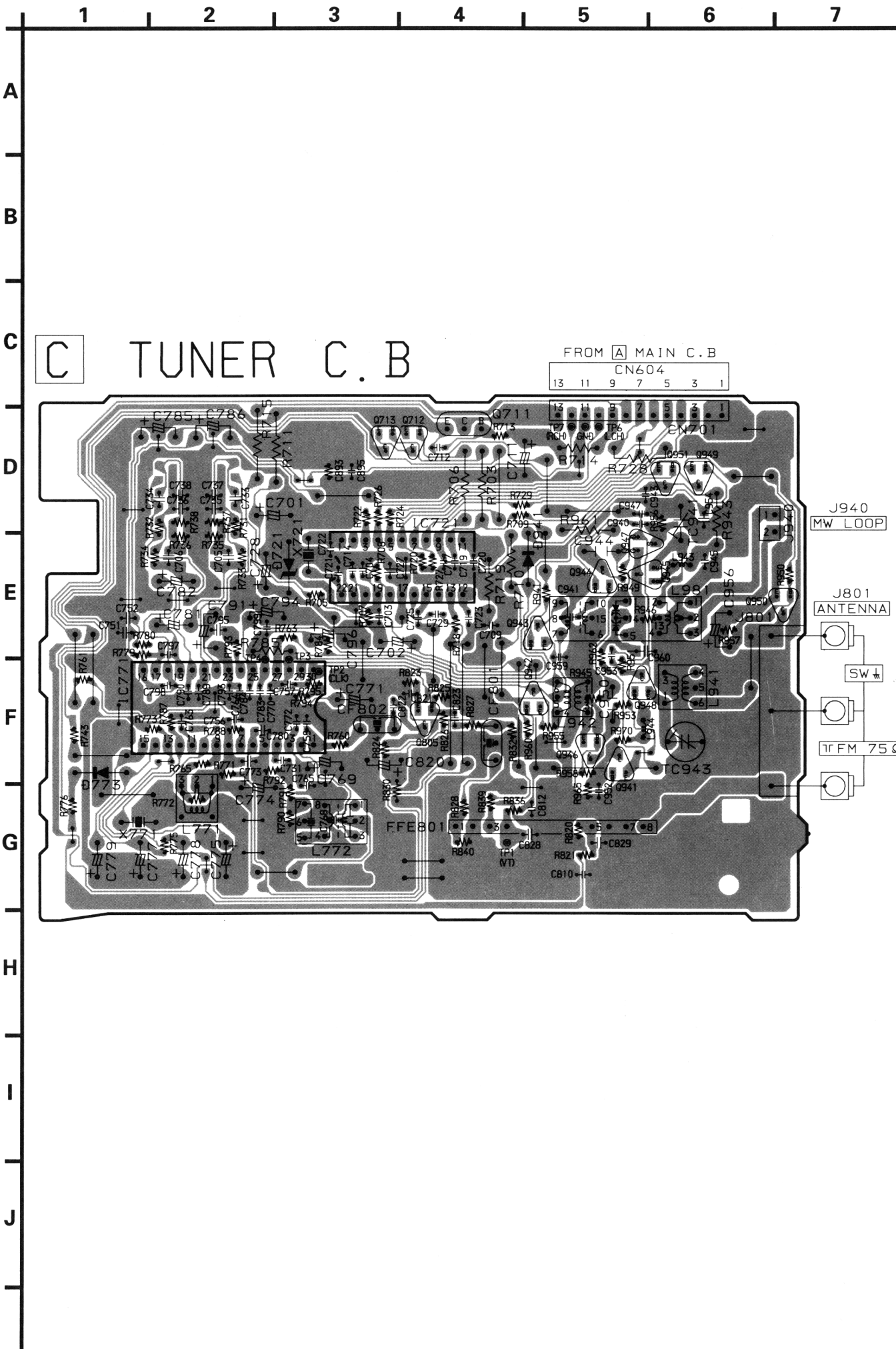
E/RP HEAD (BECK-2) E/



SCHEMATIC DIAGRAM - 6 (TUNER : HR)



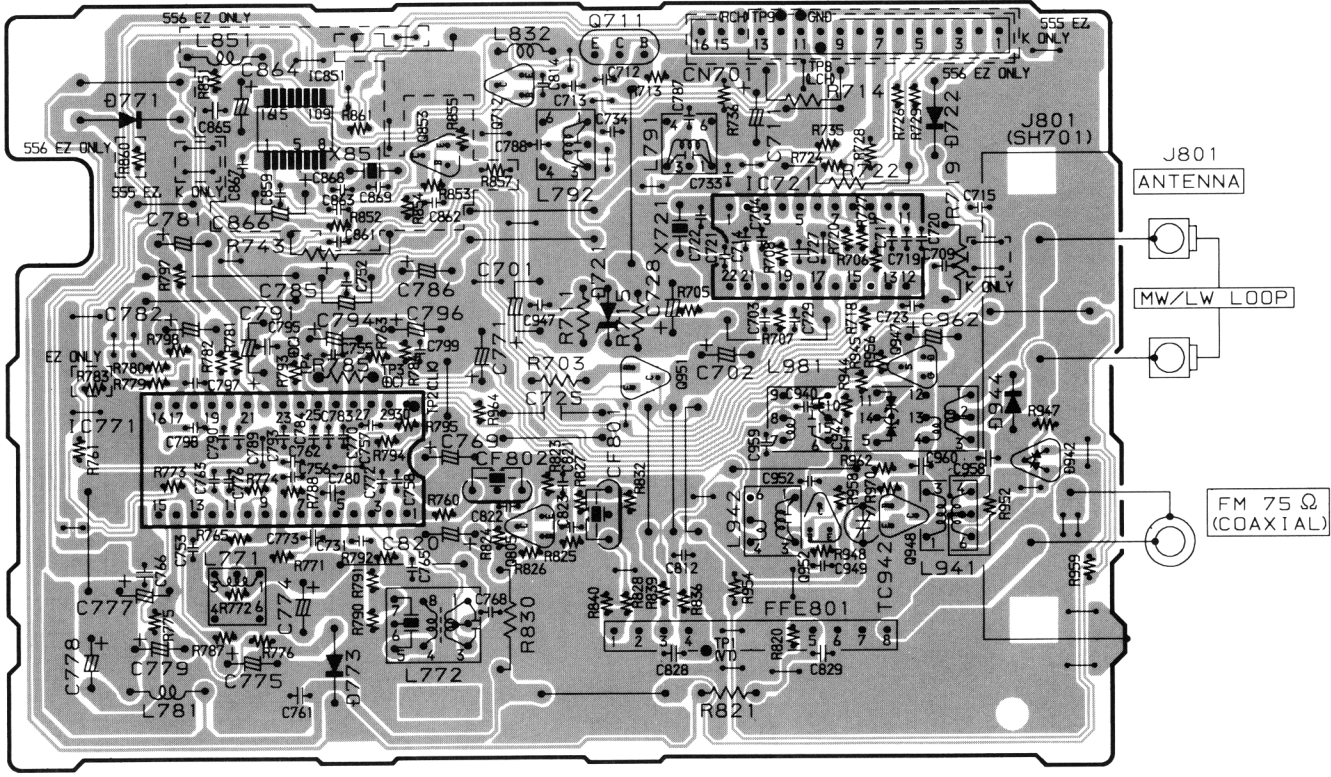
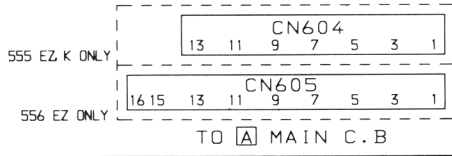
SIGNAL:  
 ← FM  
 ◁ MW/SW

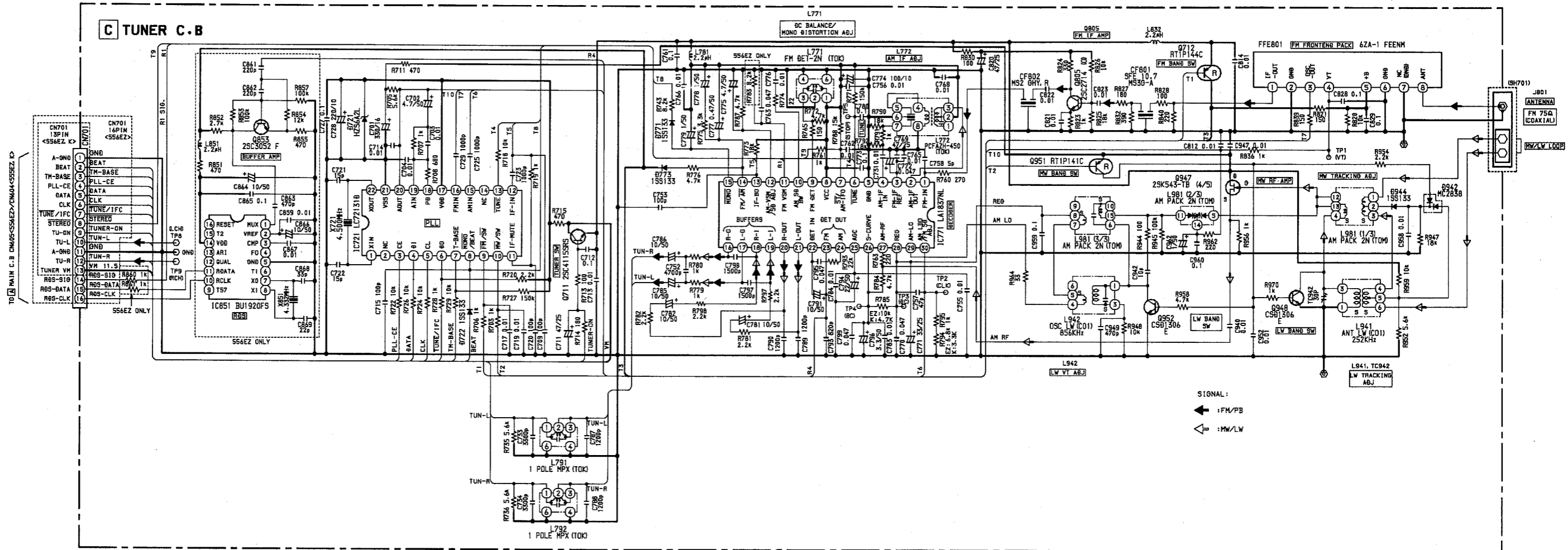


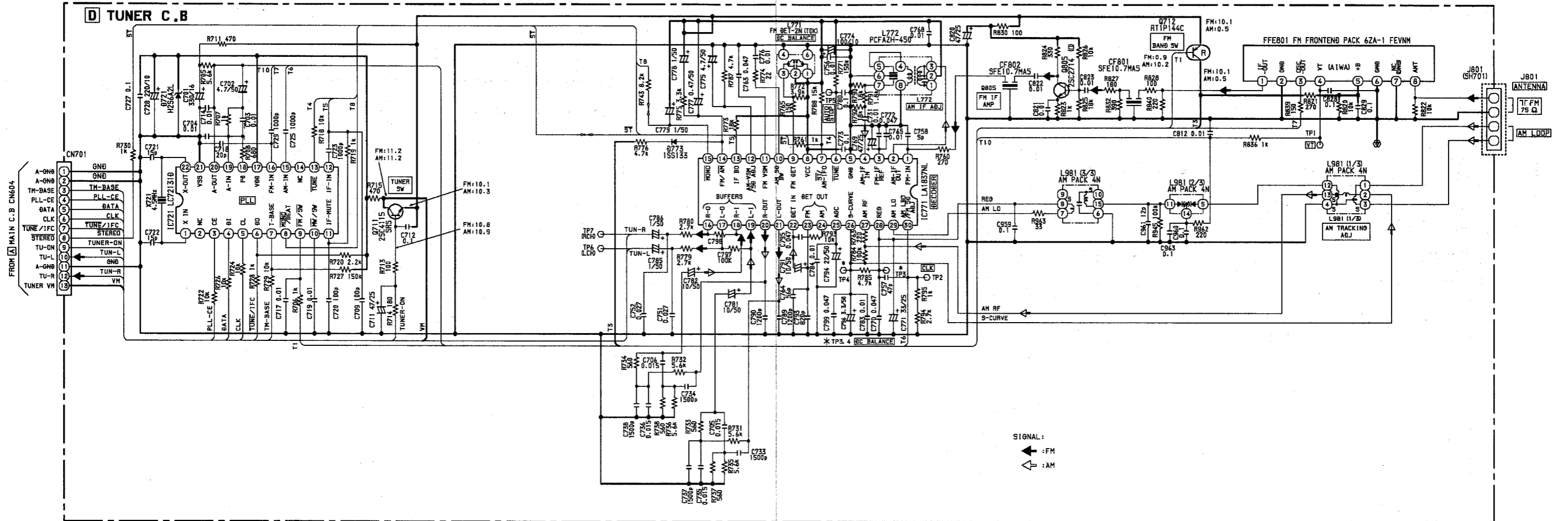
1 2 3 4 5 6 7

A  
B  
C  
D  
E  
F  
G  
H  
I  
J

C TUNER C. B

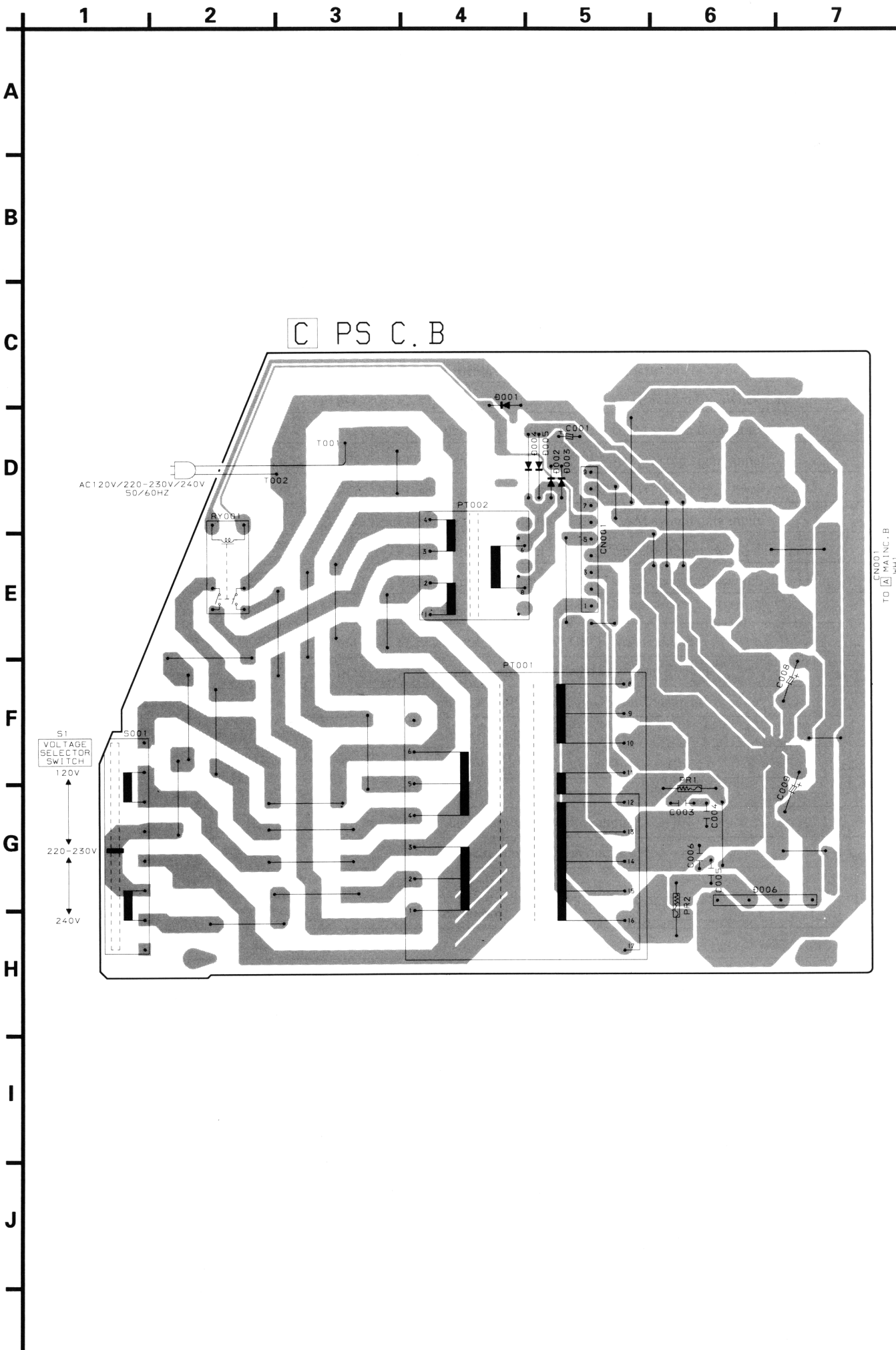




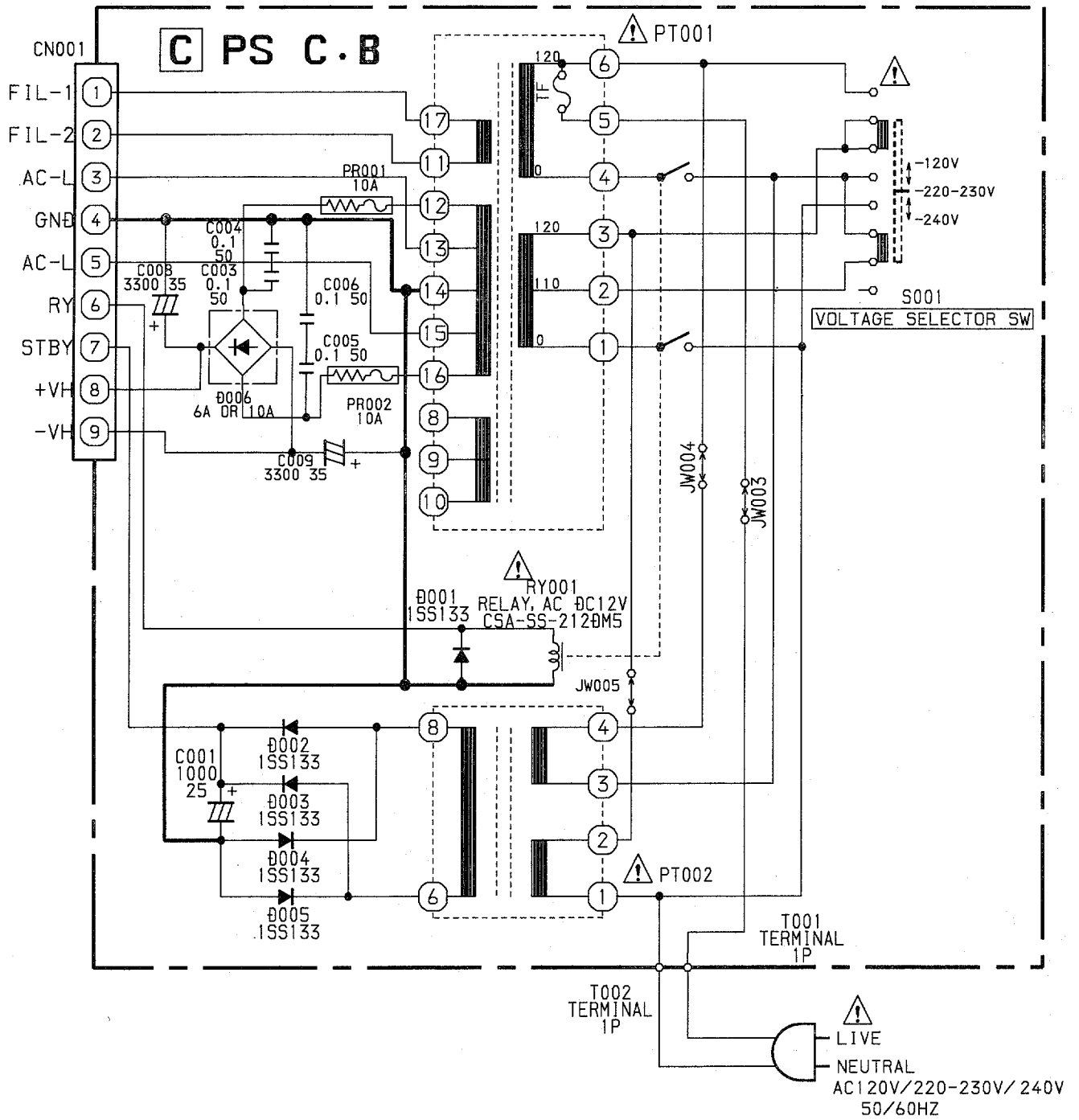


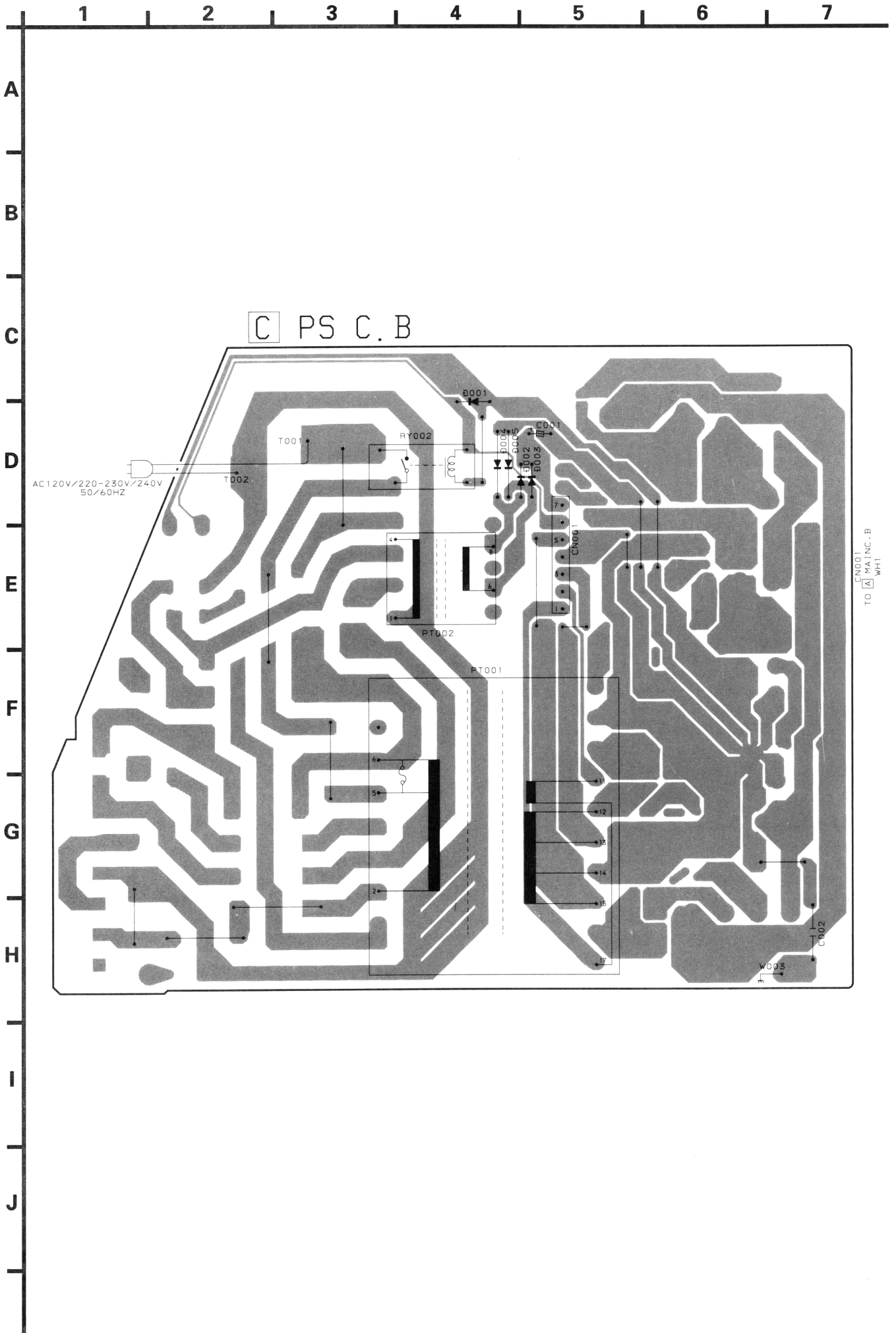




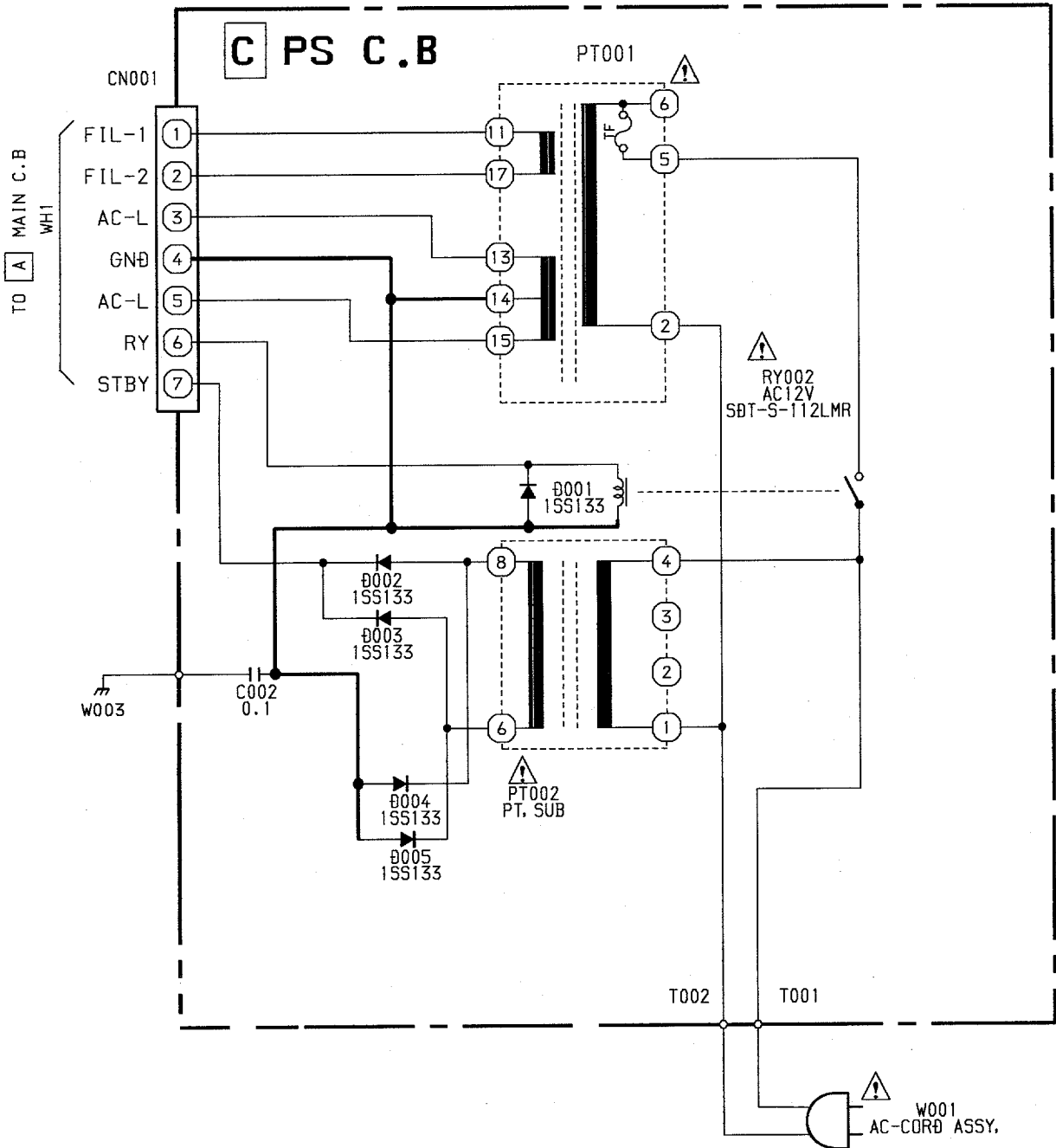


**SCHEMATIC DIAGRAM - 9 (PS : HR)**



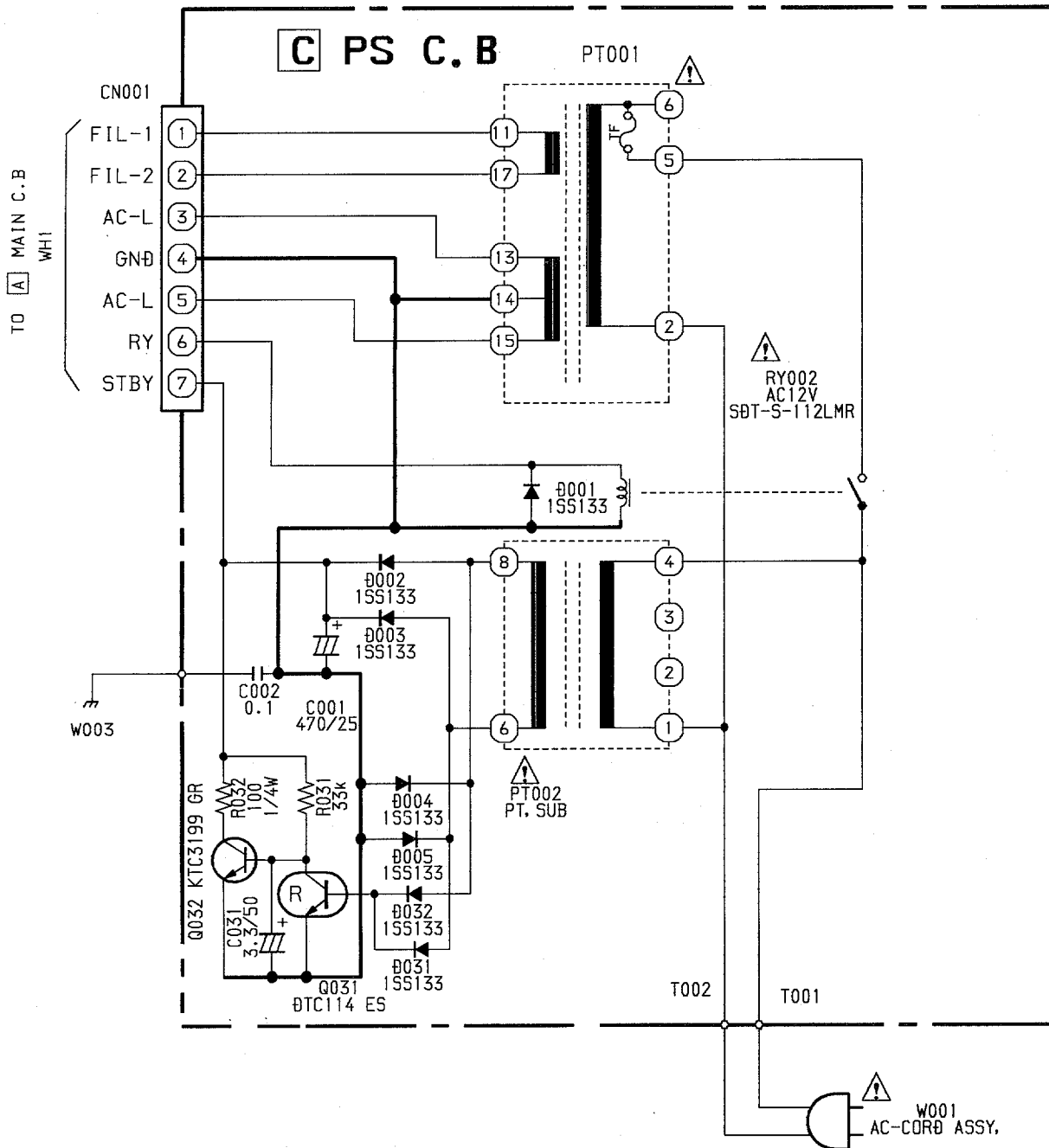


SCHMATIC DIAGRAM - 10 (PS : EZ)



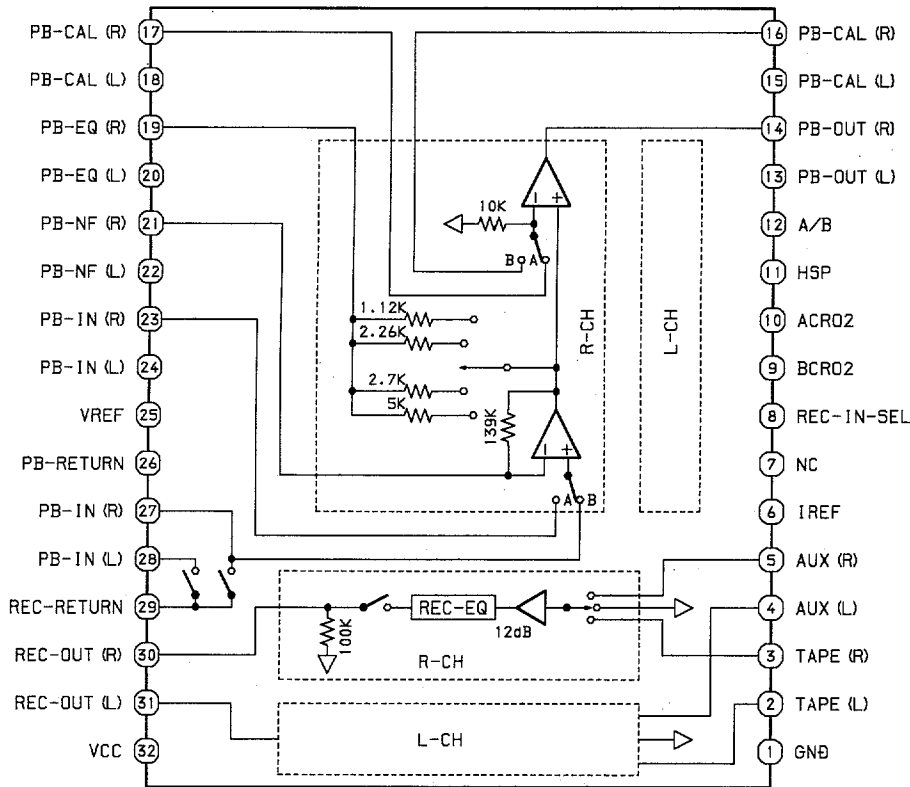


SCHEMATIC DIAGRAM - 11 (PS : K, V)

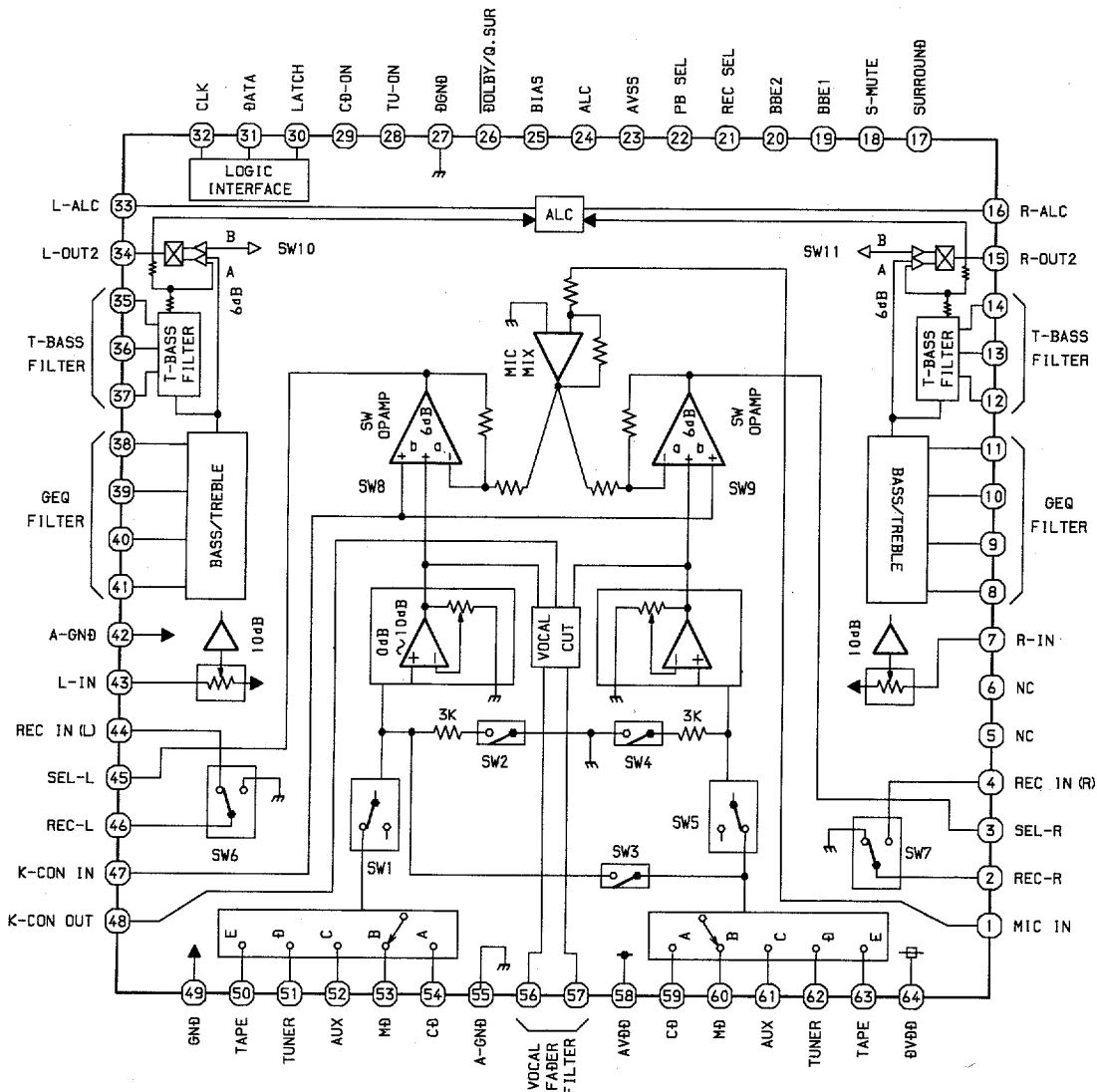


# IC BLOCK DIAGRAM

## IC, BA7762AFS

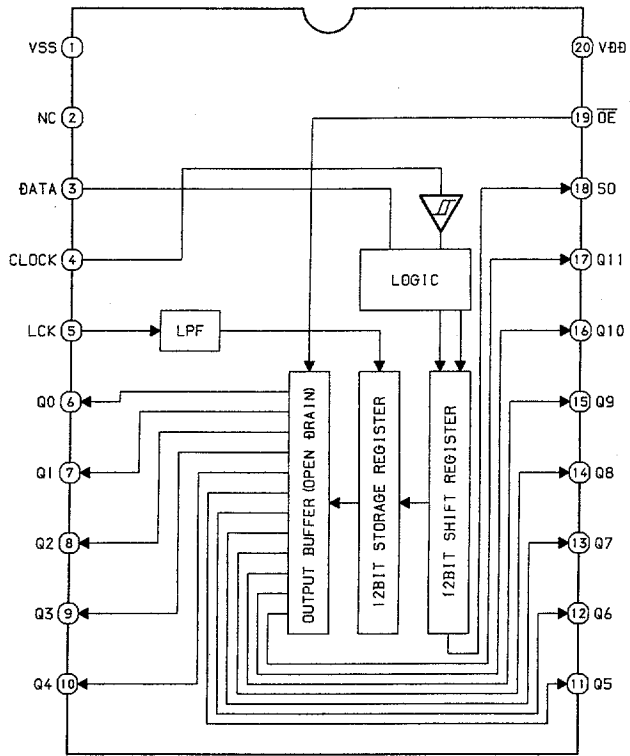


## IC, M62445AFP

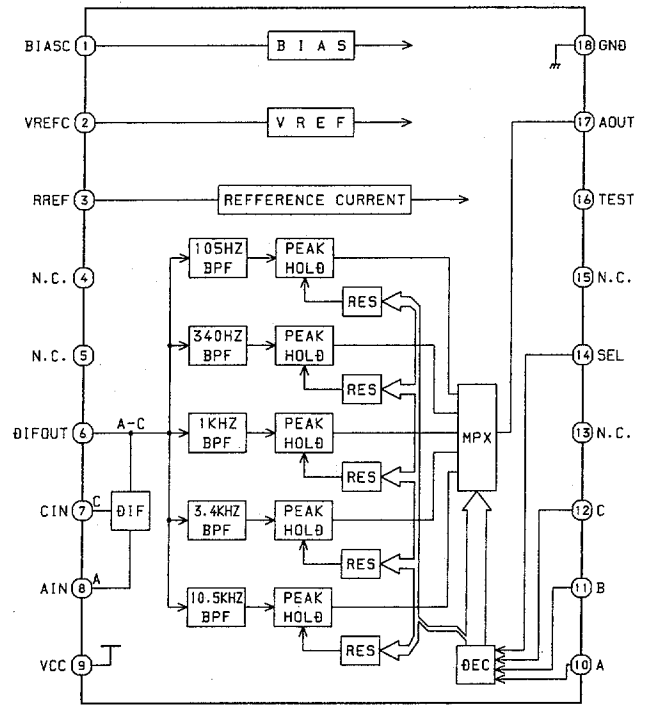




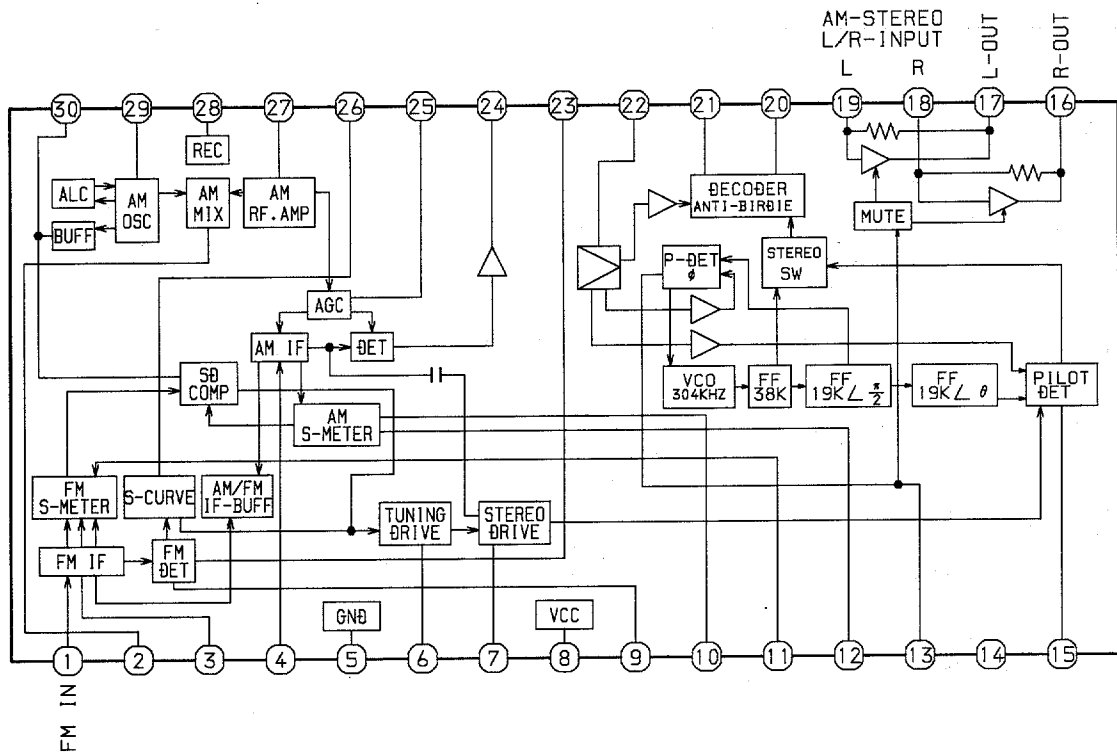
IC, BU2099FV



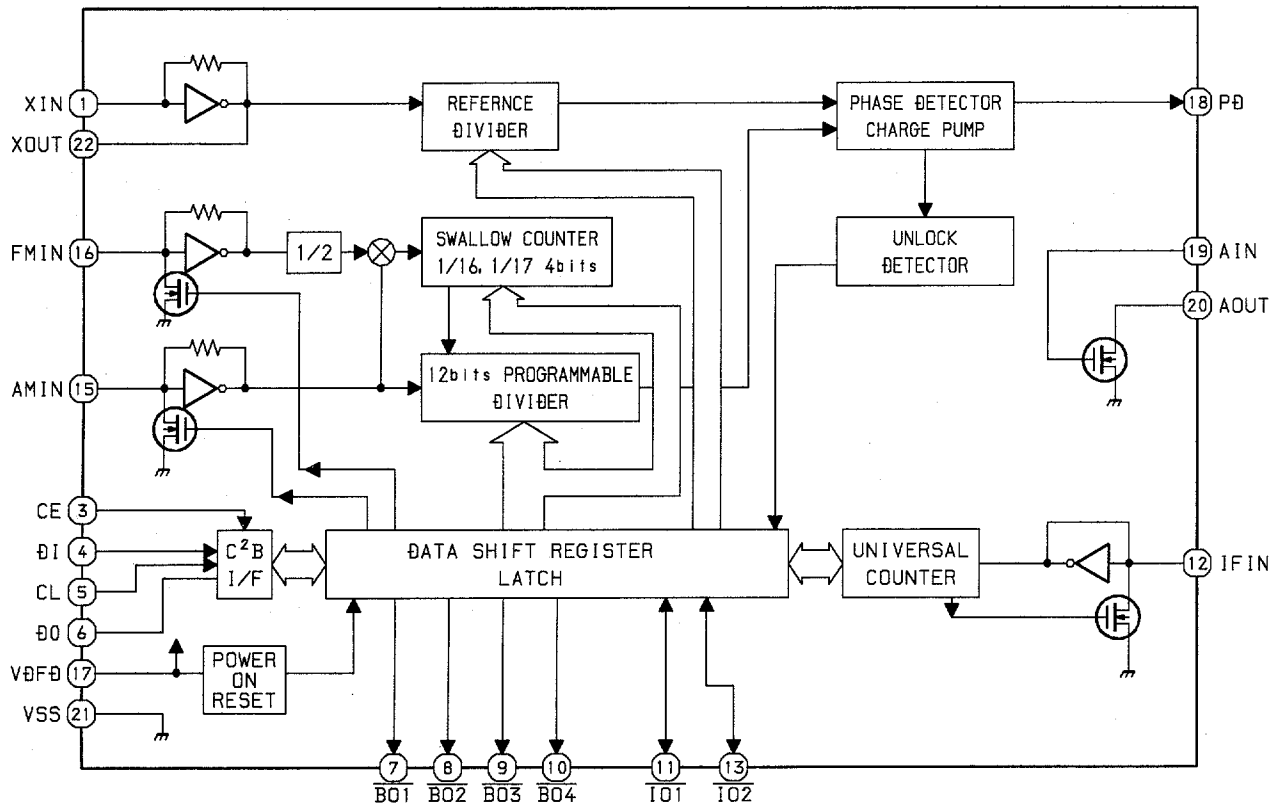
IC, BA3835F



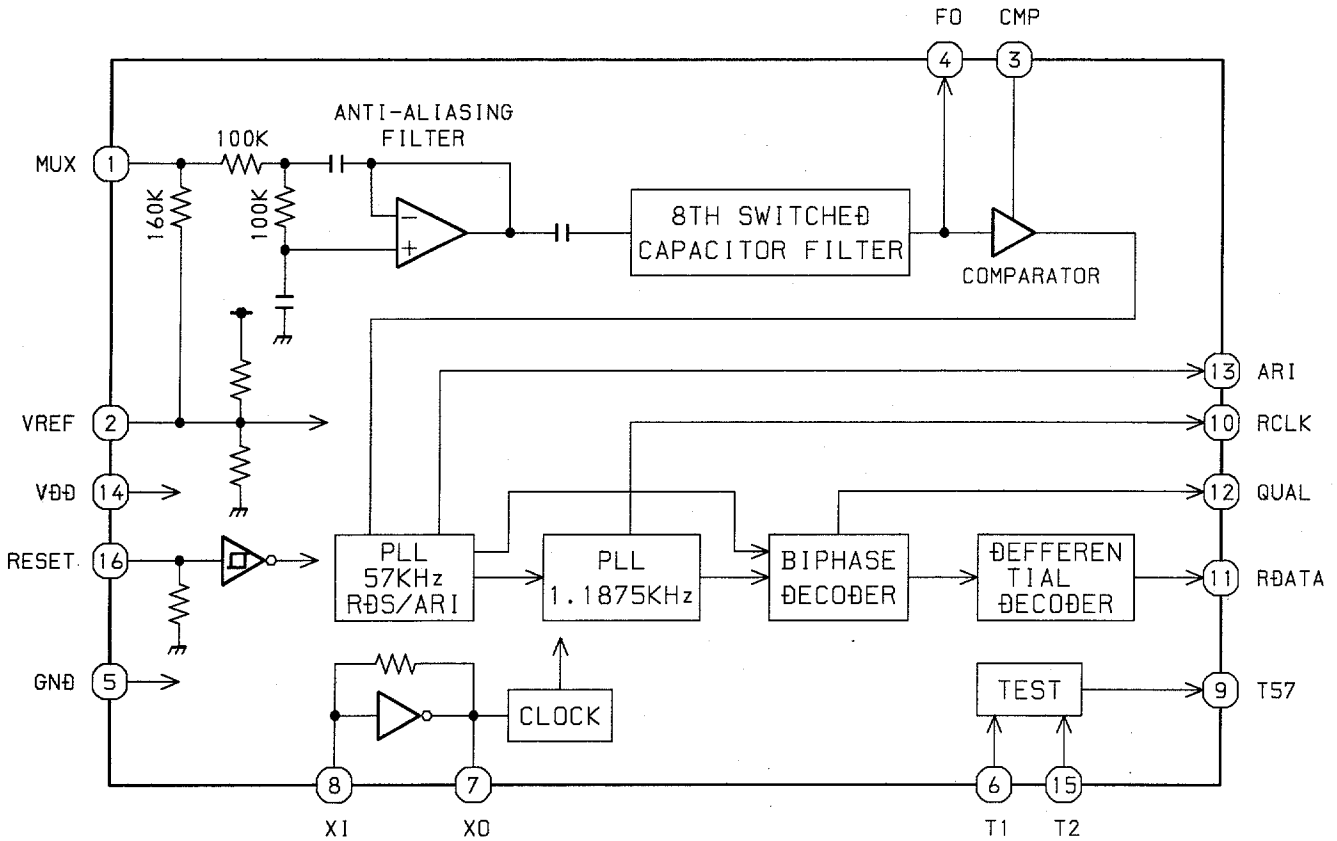
IC, LA1837NL



IC, LC72131D



IC, BU1920FS



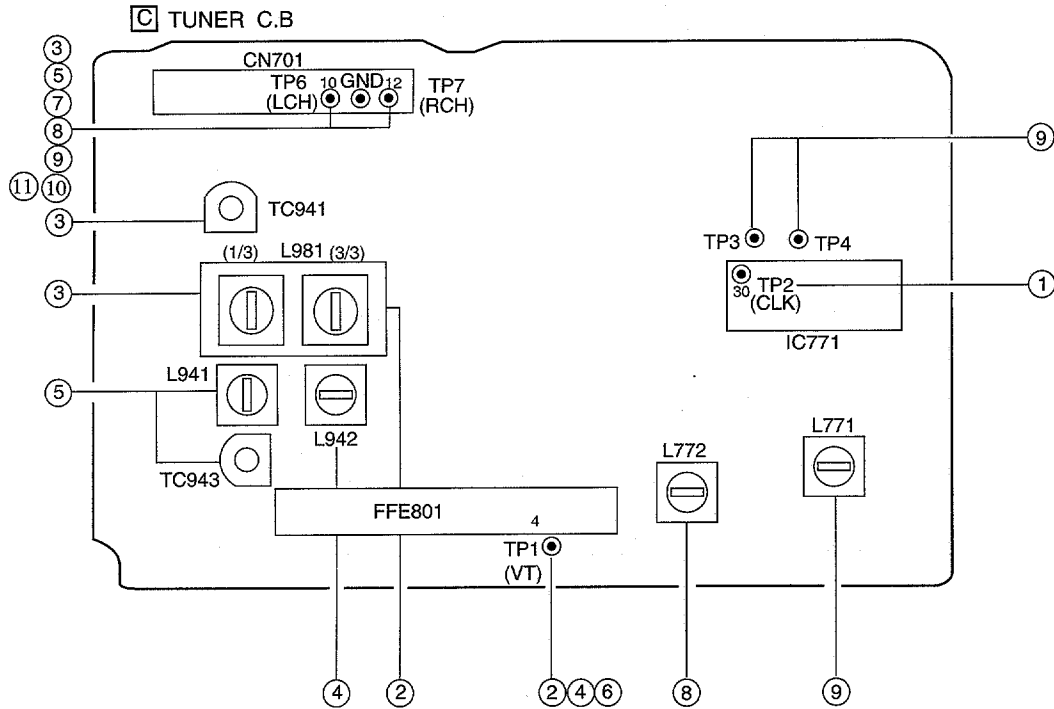
# IC DESCRIPTION

IC, uPD780228GF-037-3BA

Pin No.	Pin Name	I/O	Description
1	O-K-SCAN	O	Key scan output.
2	I-JOG-A	I	Dial jog rotary encoder input A.
3	I-JOG-B	I	Dial jog rotary encoder input B.
4	TAPE	O	" TAPE " LED ON/OFF output.
5	TUNER	O	" TUNER " LED ON/OFF output.
6	AUX	O	" AUX " LED ON/OFF output.
7	CD	O	" CD " LED ON/OFF output.
8	O-MOTOR	O	DECK MOTOR ON/OFF output.
9	O-SOL2	O	DECK2 solenoid output.
10	O-SOL1	O	DECK1 solenoid output.
11	O-MUTE	O	System mute ON/OFF output.
12	O-CD.OPEN	O	CD tray open data output.
13	O-CD.CLOSE	O	CD tray close data output.
14	O-STB (SHIFT)	O	Latch strobe output for FRONT shift register.
15	I-HP-MUTE	I	Headphone insert detection input.
16	I-TM-BASE	I	Base input for clock.
17	IC	-	Internal connection (connected to GND).
18	VSS	-	GND.
19	VDD	-	Power supply.
20	O-POWER	O	System power supply ON/OFF output.
21	O-STB (M)	O	Strobe output for MAIN.
22	O-CLOCK (M)	O	Clock output for MAIN.
23	O-DATA (M)	O	Data output for MAIN.
24	O-CD.DISH.F	O	CD turntable forward rotation output.
25	O-CD.DISH.R	O	CD turntable reverse rotation output.
26	I-WRQ/I-STEREO	I	CD WRQ input / Tuner stereo input.
27	I-DRF/I-IFCNT	I	CD DRF input / Tune IF count serial data input.
28	I-RDS-CLK	I	Tuner RDS clock input.
29	I-SUBQ/I-RDS DATA	I	CD SUBQ data input / RDS data input.
30	RESET	-	System reset.
31	O-DATA	O	CD data output.
32	O-CDCLK	O	CD clock output.
33	O-CD-CE	O	CD enable output.
34	I-RMC	I	System remote control input.
35	I-DISH.SENS	I	CD turntable photo sensor input.
36	O-CLK-SHIFT	O	Micon clock shift output.
37	VDD1	-	Power supply.
38	X2	-	4.19MHz oscillator circuit.
39	X1	I	4.19MHz oscillator circuit.
40	VSS1	-	GND.
41	AVDD	-	Power supply.
42	I-HOLD	I	Power failure detected input." H " to stop clock and main memory.
43	I-CD.SW	I	CD mecha switch input.
44	I-SPEANA	I	AD input for spectrum analyser.

Pin No.	Pin Name	I/O	Description
45	I-RE.VOL	I	Volume jog AD input.
46	I-RDS-SIG	I	RDS tuner signal input.
47	I-KEY3	I	Key3 input.
48	I-KEY2	I	Key2 input.
49	I-KEY1	I	Key1 input.
50	AVSS	-	GND.
51	O-CDLED	O	CD flash window LED ON/OFF output.
52	O-PLL-CE	O	Chip enable output for tuner PLL.
53 ~ 58	P1 ~ P6	O	FL segment P1 ~ P6 output.
59	P7/REV2	I/O	FL segment P7 output / REV2 data input.
60	P8/REV1	I/O	FL segment P8 output / REV1 data input.
61	P9/AM10K	I/O	FL segment P9 output / AM10K data input.
62	P10/AMST.WIDE	I/O	FL segment P10 output / AMST WIDE data input.
63	P11/LW	I/O	FL segment P11 output / LW mode data input.
64	P12/SW	I/O	FL segment P12 output / SW mode data input.
65	P13/FM1	I/O	FL segment P13 output / FM1 mode data input.
66	P14/RDS	I/O	FL segment P14 output / RDS data input.
67	P15/CST2	I/O	FL segment P15 output / DECK2 cassette detect switch data input.
68	P16/REB	I/O	FL segment P16 output / DECK2 side B record OK switch data input.
69	P17/CAM2	I/O	FL segment P17 output / DECK2 CAM switch data input.
70	P18/AUTO1	I/O	FL segment P18 output / DECK1 AUTO STOP switch data input.
71	P19/AUTO2	I/O	FL segment P19 output / DECK2 AUTO STOP switch data input.
72	P20/CAM1	I/O	FL segment P20 output / DECK1 CAM STOP switch data input.
73	P21/CST1	I/O	FL segment P21 output / DECK1 cassette detect switch data input.
74	P22/REA	I/O	FL segment P22 output / DECK2 side A record OK switch data input.
75	P23/KARAOKE	I/O	FL segment P23 output / KARAOKE data input.
76	P24/PROLOGIC	I/O	FL segment P24 output / PROLOGIC data input.
77	P25/NO DEMO	I/O	FL segment P25 output / NO DEMO data input.
78	P26	I/O	FL segment P26 output
79	VDD2	-	Power supply.
80	-VFL	-	Power supply for FL display.
81	SPEANA-A/P27	O	Spectrum analyser band switching data output / FL segment P27 output.
82	SPEANA-B/P28	O	Spectrum analyser band switching data output / FL segment P28 output.
83	SPEANA-C/P29	O	Spectrum analyser band switching data output / FL segment P29 output.
84 ~ 89	P30 ~ P35	O	FL segment P30 ~ P35 output.
90 ~100	G11 ~ G1	O	FL grid G10 ~ G1 output.

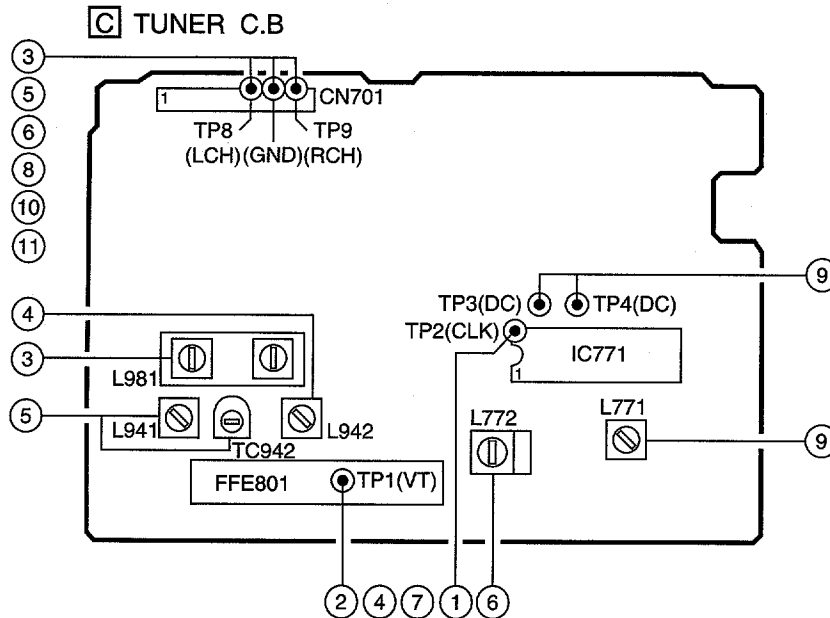
# ADJUSTMENT - 1 <TUNER : HR>



## < TUNER SECTION >

1. Clock Frequency Check
  - Settings : • Test point : TP2 (CLK)
  - Method : Set to MW1602kHz and check that the test point is 2052kHz  $\pm$  45Hz.
2. MW VT Adjustment
  - Settings : • Test point : TP1(VT)
  - Adjustment location : L981(3/3)
  - Method : Set to MW 1710kHz and adjust L981(3/3) so that the test point becomes 8.0V  $\pm$  0.05V. Then set to MW 530kHz and check that the test point is more than 0.3V.
3. MW Tracking Adjustment
  - Settings : • Test point : TP6(Lch), TP7(Rch)
  - Adjustment location :
    - L981(1/3) ..... 603kHz
    - TC941 ..... 1404kHz
  - Method : Set up TC941 to center before adjustment. The level at 603kHz is adjust to max. by L981(1/3). Then the level at 1404kHz is adjust to max. by TC941.
4. SW VT Adjustment
  - Settings : • Test point : TP1(VT)
  - Adjustment location : L942
  - Method : Set to SW 17.9MHz and adjust L942 so that the test point becomes 7.0V  $\pm$  0.05V. Then set to SW 5.9MHz and check that the test point is more than 0.3V.
5. SW Tracking Adjustment
  - Settings : • Test point : TP6(Lch), TP7(Rch)
  - Adjustment location :
    - L941 ..... 5.9MHz
    - TC943 ..... 17.9MHz
  - Method : Set up TC943 to center before adjustment. The level at 5.9MHz is adjust to max. by L941. Then the level at 17.9MHz is adjust to max. by TC943.
6. FM VT Check
  - Settings : • Test point : TP1 (VT)
  - Method : Set to FM 108.0MHz and check that the test point is less than 8.0V.
  - Set to FM 87.5MHz and check that the test point is more than 0.5V.
7. FM Tracking Check
  - Settings : • Test point : TP6(Lch), TP7(Rch)
  - Method : Set to FM 98.0MHz and check that the test point is less than 9.0dB $\mu$ V.
8. AM IF Adjustment
  - Settings : • Test point : TP6(Lch), TP7(Rch)
  - Adjustment location :
    - L772 ..... 450kHz
  - Method : Adjust L772 so that the output becomes max.
9. DC Balance / Mono Distortion Adjustment
  - Settings : • Test point : TP3, TP4 (DC Balance)
  - TP6(Lch), TP7(Rch) (Distortion)
  - Adjustment location : L771
  - Input level : 60dB $\mu$ V
  - Method : Set to FM 98.0MHz and adjust L771 so that the voltage between TP3 and TP4 becomes 0V  $\pm$  0.04V.
  - Next, check that the distortion is less than 1.3%.
10. Output Level Check
  - <MW>
  - Settings : • Test point : TP8 (Lch), TP9 (Rch)
  - Input level : 74dB $\mu$ V
  - Method : Set to MW 999kHz and check that the test point is 130mV  $\pm$  3dB.
  - <FM>
  - Settings : • Test point : TP8 (Lch), TP9 (Rch)
  - Input level : 60dB $\mu$ V
  - Method : Set to FM 98.0MHz and check that the test point is 520mV  $\pm$  3dB.
11. FM Separation Check
  - Settings : • Test point : TP8 (Lch), TP9 (Rch)
  - Input level : 60dB $\mu$ V
  - Method : Set to FM 98.0MHz and check that the test point is more than 25dB.

## ADJUSTMENT - 2 <TUNER : EZ, K>



### < TUNER SECTION >

1. Clock Frequency Check
 

Settings : • Test point : TP2 (CLK)

Method : Set to MW 1602kHz and check that the test point is  $2052\text{kHz} \pm 45\text{Hz}$ .
2. MW VT Check
 

Settings : • Test point : TP1 (VT)

Method : Set to MW 1602kHz and check that the test point is less than 8.0V. Then set to MW 531kHz and check that the test point is more than 0.6V.
3. MW Tracking Adjustment
 

Settings : • Test point : TP8 (Lch), TP9 (Rch)

• Adjustment location : L981 (1/3)

Method : Set to MW 999kHz and adjust L981 (1/3) so that the test point becomes maximum.
4. LW VT Adjustment
 

Settings : • Test point : TP1 (VT)

• Adjustment location : L942

Method : Set to LW 144kHz and adjust L942 so that the test point becomes  $1.3\text{V} \pm 0.05\text{V}$ . Then set to LW 290kHz and check that the test point is less than 8.0V.
5. LW Tracking Adjustment
 

Settings : • Test point : TP8 (Lch), TP9 (Rch)

• Adjustment location :

L941 ..... 144kHz

TC942 ..... 290kHz

Method : Set up TC942 to center before adjustment. The level at 144kHz is adjusted to MAX by L941. Then the level at 290kHz is adjusted to MAX by TC942.
6. AM IF Adjustment
 

Settings : • Test point : TP8 (Lch), TP9 (Rch)

• Adjustment location :

L772 ..... 450kHz
7. FM VT Check
 

Settings : • Test point : TP1 (VT)

Method : Set to FM 108.0MHz and check that the test point is less than 8.0V. Then set to FM 87.5MHz and check that the test point is more than 0.5V.
8. FM Tracking Check
 

Settings : • Test point : TP8 (Lch), TP9 (Rch)

Method : Set to FM 98.0MHz and check that the test point is less than 13dB $\mu$ V.
9. DC Balance / Mono Distortion Adjustment
 

Settings : • Test point : TP3, TP4 (DC balance)

• Adjustment location : L771

• Input level : 60dB $\mu$ V

Method : Set to FM 98.0MHz and adjust L771 so that the voltage between TP3 and TP4 becomes  $0\text{V} \pm 0.04\text{V}$ . Next, check that the distortion is less than 1.3%.
10. Output Level Check
 

<MW>

Settings : • Test point : TP8 (Lch), TP9 (Rch)

• Input level : 74dB $\mu$ V

Method : Set to MW 999kHz and check that the test point is  $130\text{mV} \pm 3\text{dB}$ .

<FM>

Settings : • Test point : TP8 (Lch), TP9 (Rch)

• Input level : 60dB $\mu$ V

Method : Set to FM 98.0MHz and check that the test point is  $520\text{mV} \pm 3\text{dB}$ .
11. FM Separation Check
 

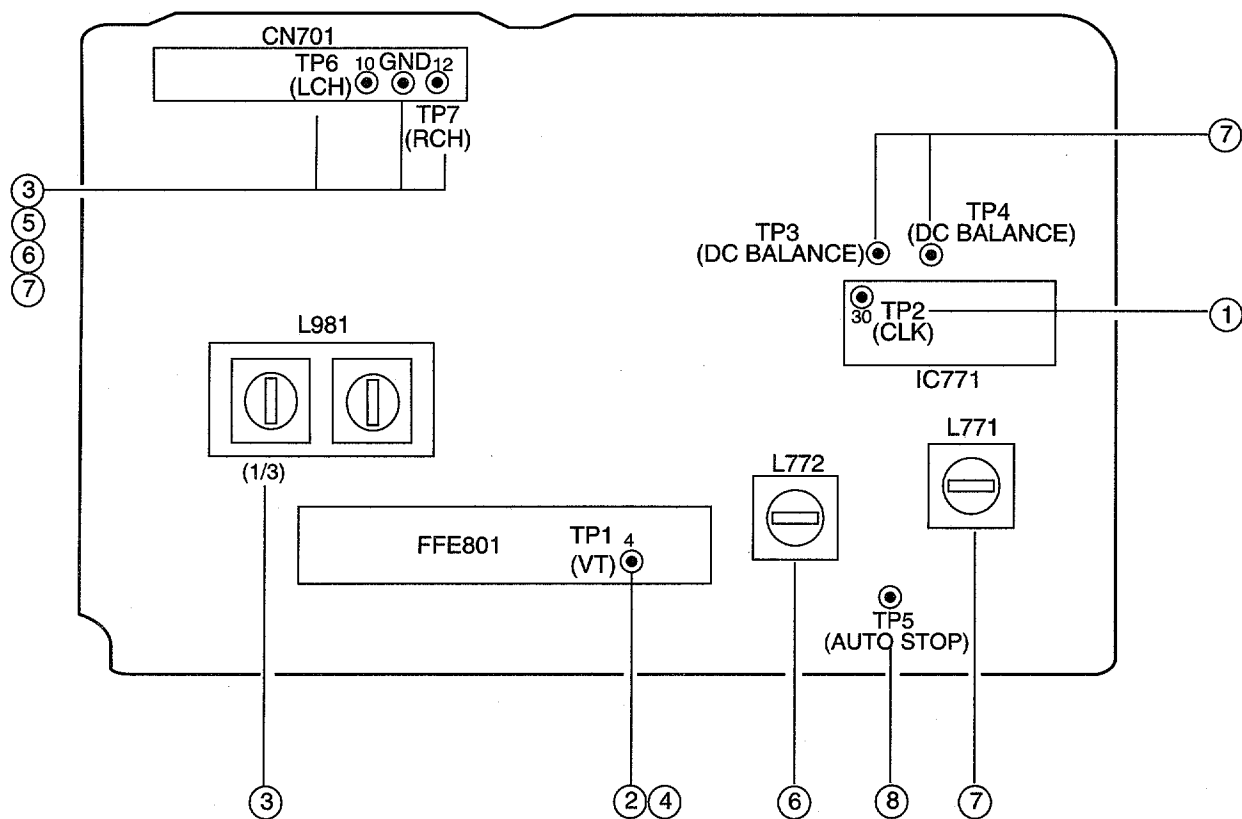
Settings : • Test point : TP8 (Lch), TP9 (Rch)

• Input level : 60dB $\mu$ V

Method : Set to FM 98.0MHz and check that the test point is more than 25dB.

# ADJUSTMENT - 3 <TUNER : V>

## D TUNER C.B

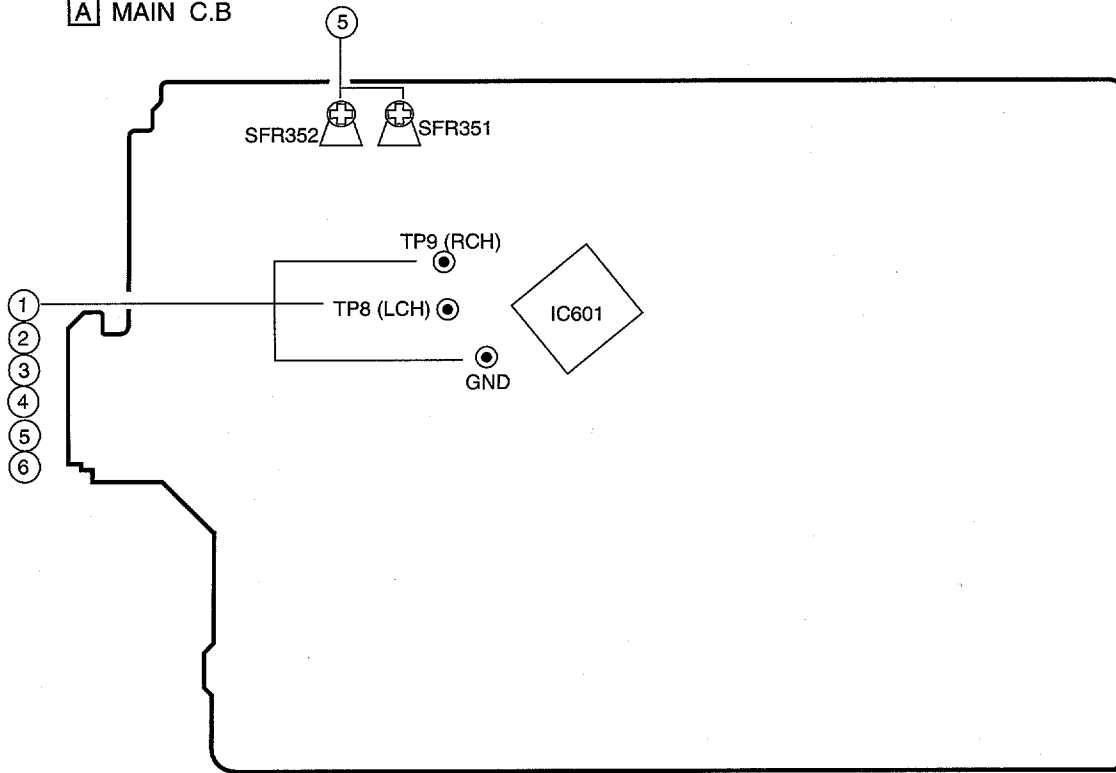


### < TUNER SECTION >

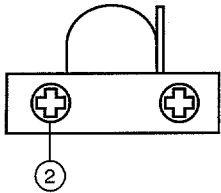
1. Clock Frequency Check  
 Settings : • Test point : TP2  
 Method : Set to AM 1710kHz and check that the test point is  $2160\text{kHz} \pm 45\text{Hz}$ .
2. AM VT Check  
 Settings : • Test point : TP1  
 Method : Set to AM 1710kHz and AM 530kHz and check that the test point is less than 8.5V(1710kHz) and more than 0.6V(530kHz).
3. AM Tracking Adjustment  
 Settings : • Test point : TP6(Lch), TP7(Rch)  
 • Adjustment location :  
 L981(1/3) ..... 1000kHz  
 Method : Set to AM 1000kHz and adjust L981(1/3) so that the test point becomes max.
4. FM VT Check  
 Settings : • Test point : TP1  
 Method : Set to FM 108.0MHz and check that the test point is less than 8.0V.  
 Set to FM 87.5MHz and check that the test point is more than 0.5V.
5. FM Tracking Check  
 Settings : • Test point : TP6(Lch), TP7(Rch)  
 Method : • Set to FM 98.0MHz and check that the test point is less than  $9.0\text{dB}\mu\text{V}$ .
6. AM IF Adjustment  
 Settings : • Test point : TP6(Lch), TP7(Rch)  
 • Adjustment location :  
 L772 .....450kHz  
 Method : • Adjust L772 so that the output becomes max
7. DC Balance / Moño Distortion Adjustment  
 Settings : • Test point : TP3, TP4 (DC Balance)  
 TP6(Lch), TP7(Rch) (Distortion)  
 • Adjustment location : L771  
 • Input level :  $60\text{dB}\mu\text{V}$   
 Method : Set to FM 98.0MHz and adjust L771 so that the voltage between TP3 and TP4 becomes  $0\text{V} \pm 0.04\text{V}$ .  
 Next, check that the distortion is less than 1.3%
8. Auto Stop Level Check  
 AM  
 Settings : • Test point : TP5  
 • Input level :  $52\text{dB}\mu\text{V}$   
 Method : Set to AM 1000kHz and check that the auto stop is at  $52\text{dB}\mu\text{V} +10/-15\text{dB}$ .  
 FM  
 Settings : • Test point : TP5  
 • Input level :  $25\text{dB}\mu\text{V}$   
 Method : Set to FM 98.0MHz and check that the auto stop is at  $25\text{dB}\mu\text{V} \pm 10\text{dB}$ .

ADJUSTMENT - 4 <DECK>

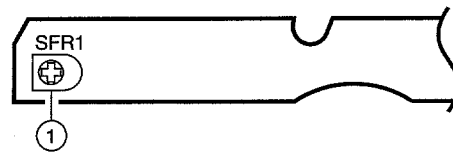
**A** MAIN C.B



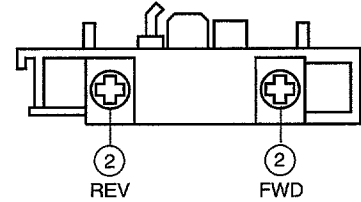
DECK-2 R/P/E HEAD (EXCEPT HR)



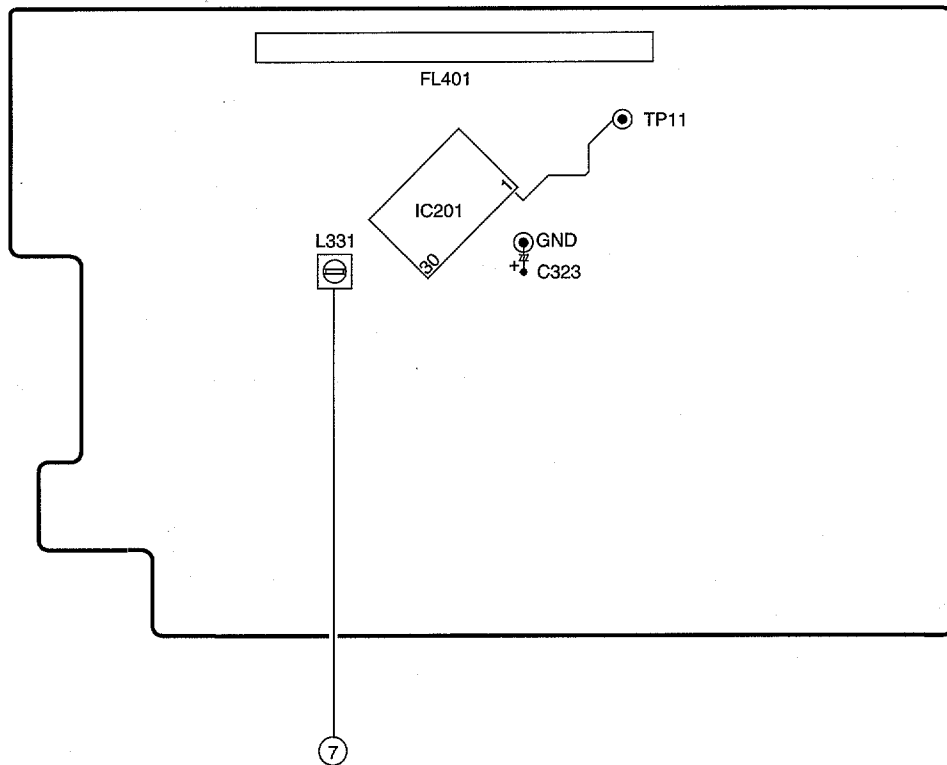
**E** DECK C.B



DECK-1 P HEAD  
DECK-2 R/P/E HEAD (HR ONLY)



**B** FRONT C.B





## ADJUSTMENT <DECK>

### < DECK SECTION >

1. Tape Speed Adjustment (DECK 1, DECK 2)  
Settings : • Test tape : TTA-100  
• Test point : TP8(Lch), TP9(Rch)  
• Adjustment location : SFR1  
Method : Play back the test tape and adjust SFR101 so that the frequency counter reads  $3000\text{Hz} \pm 5\text{Hz}$  and  $\pm 45\text{Hz}$  (REV) with respect to forward speed.
2. Head Azimuth Adjustment (DECK 1, DECK 2)  
Settings : • Test tape : TTA-330  
• Test point : TP8(Lch), TP9(Rch)  
• Adjustment location : Head azimuth adjustment screw  
Method : Play back (FWD) the 8kHz signal of the test tape and adjust screw so that the output becomes maximum. Next, perform on REV PLAY mode.
3. PB Frequency Response Check (DECK 1, DECK 2)  
Settings : • Test tape : TTA-330  
• Test point : TP8(Lch), TP9(Rch)  
Method : Play back the 315Hz and 8kHz signals of the test tape and check that the output ratio of the 8kHz signal with respect to that of the 315Hz signal is within 5dB.
4. PB Sensitivity Check (DECK 1, DECK 2)  
Settings : • Test tape : TTA-200 (400Hz)  
• Test point : TP8(Lch), TP9(Rch)  
Method : Play back the test tape and check that the output level of the test point is  $250\text{mV} \pm 3\text{dB}$ .
5. REC/PB Frequency Response Adjustment (DECK 1)  
Settings : • Test tape : TTA-602  
• Test point : TP8(Lch), TP9(Rch)  
• Input signal : 1kHz / 10kHz (LINE IN)  
• Adjustment location : SFR351 (Lch)  
SFR352 (Rch)  
Method : Apply a 1kHz signal and REC mode. Then adjust OSC attenuator so that the output level at the TP8, TP9 becomes  $-20\text{VU} (-30.2\text{dBV})$ . Record and play back the 1kHz and 8kHz signals and adjust SFRs so that the output of the 8kHz signals becomes  $0\text{dB} \pm 0.5\text{dB}$  with respect to that of the 1kHz signal.
6. REC/PB Sensitivity Check (DECK 1)  
Settings : • Test tape : TTA-602  
• Test point : TP8(Lch), TP9(Rch)  
• Input signal : 1kHz (LINE IN)  
Method : Apply a 1kHz signal and REC mode. Then adjust OSC attenuator so that the output level at TP8, TP9 becomes  $0\text{VU} (-10.2\text{dBV})$ . Record and play back the 1kHz signals and check that the output is  $0\text{dB} \pm 3.5\text{dB}$ .
7.  $\mu$ -con OSC Adjustment  
Settings : • Test point : TP11, GND  
• Adjustment location : L331  
Method : Insert AC plug while pressing TUNER function key. Adjust L351 so that the frequency across the test point becomes  $84.8 \pm 0.08\text{Hz}$ .

## PRACTICAL SERVICE FIGURE

### <TUNER SECTION>

#### FM SECTION

IHF Sensitivity :	Less than 10dB (at 87.5MHz)<HR> Less than 9dB (at 98.0/108.0MHz)<HR> Less than 14dB (at 87.5MHz)<EZ,K> Less than 13dB (at 98.0/108.0MHz)<EZ,K> Less than 8dB (at 87.598.0/108.0MHz)<V> Less than 12dB (at 70.0MHz)<V>
Signal to noise ratio :	More than 68dB (at 98.0MHz)<MONO> More than 68dB (at 98.0MHz)<STEREO>
Distortion :	Less than 1.2%(at 98.0MHz) <MONO> Less than 2.0%(at 98.0 MHz) <STEREO>
Stereo separation :	More than 22dB (at 98.0MHz)<EXCEPT EZ,K> More than 12dB (at 98.0MHz)<EZ,K>
Intermediate frequency :	10.7MHz

#### MW SECTION

Sensitivity :	Less than 60 dB (at 603kHz) Less than 58 dB (at 999/1404kHz)
S/N :	More than 36 dB (at 999/1000kHz)
Distortion :	Less than 1.5% (at 999/1000kHz)

#### SW SECTION<HR>

Sensitivity :	Less than 51 dB (at 5.9MHz) Less than 45 dB (at 12.0MHz) Less than 44 dB (at 17.9MHz)
---------------	---

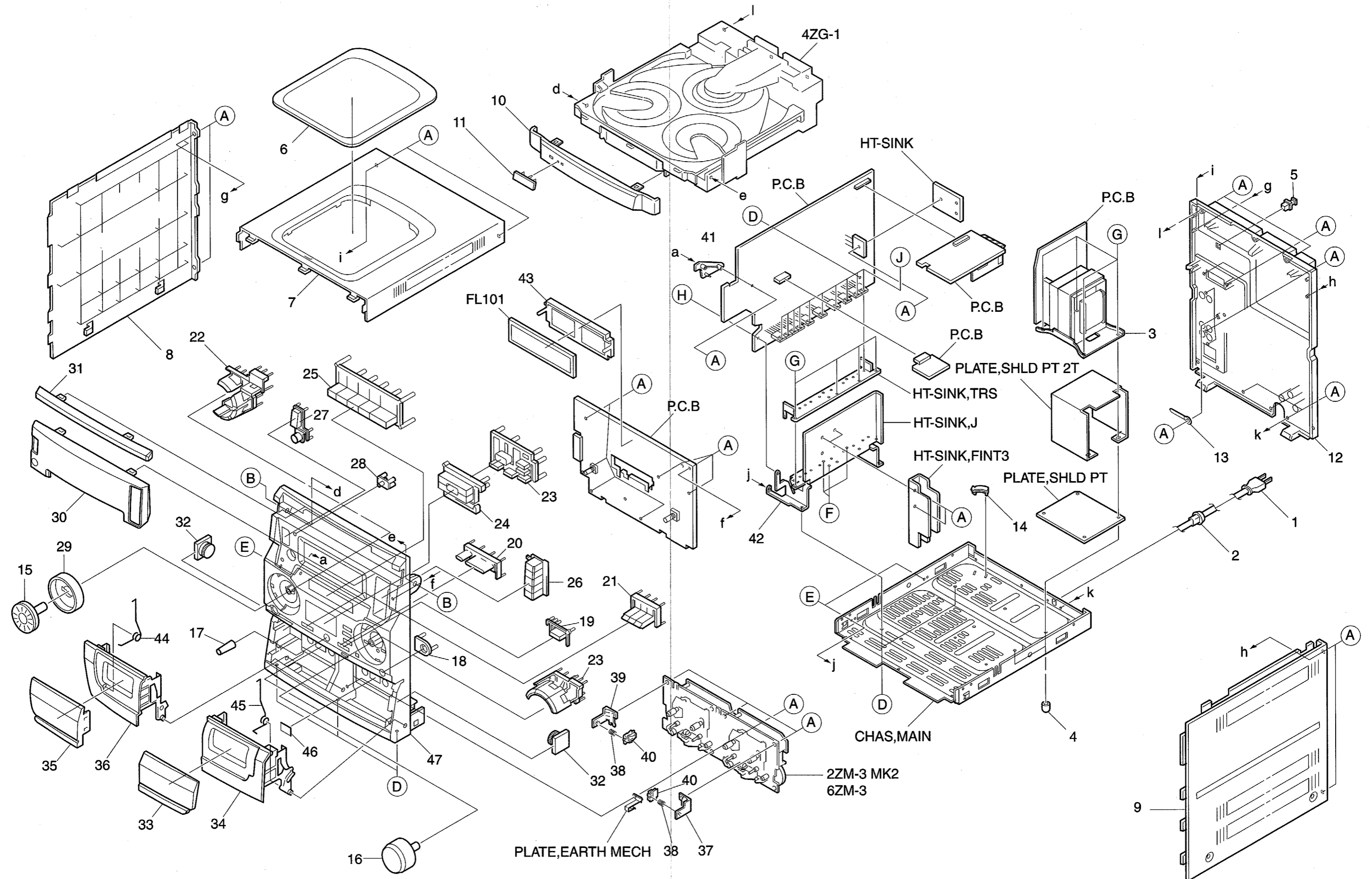
#### LW SECTION<EZ,K>

Sensitivity :	Less than 64 dB (at 144kHz) Less than 68 dB (at 198kHz) Less than 66 dB (at 290kHz)
---------------	---

### <DECK SECTION>

Tape speed :	3000Hz ± 45Hz
Wow & flutter :	Less than 0.25% (W.R.M.S.)
Take-up torque :	30 ~ 55g-cm
F.F torque :	75 ~ 180g-c
REW torque :	75 ~ 130g-c
Back tension :	2 ~ 7g-cm (FWD,REV)
PB Output level :	2.8V ± 2dB (SP OUT 2V)
REC/PB Output level :	2.0V ± 1dB (SP OUT 2V)
Distortion (REC/PB) :	Less than 2.0%
Noise level (PB) :	Less than 1.0mV(FILTER DIN AUDIO)
Noise level (REC/PB) :	Less than 1.2mV(FILTER DIN AUDIO)
Erasing ratio :	More than 60dB (at 125Hz)
Test Tape :	TTA-602,TA-200

MECHANICAL EXPLODED VIEW 1 / 1



# MECHANICAL PARTS LIST 1 / 1

If can't understand for Description please kindly refer to "REFERENCE NAME LIST".

REF. NO	PART NO.	KANRI NO.	DESCRIPTION	REF. NO	PART NO.	KANRI NO.	DESCRIPTION
△ 1	87-050-034-010		AC CORD ASSY,E<K>	31	82-NF8-024-010		WINDOW, CD
△ 1	87-050-079-010		AC-CORD ASSY,E<EXCEPT K>	32	87-NF8-220-010		DMPR, 150
2	87-085-185-010		BUSHING, AC CORD (E)	33	82-NF8-022-010		WINDOW, CASS 2
△ 3	82-NF8-606-010		PT, ZNF-8EZ<555EZ, 556EZ, K, V>	34	82-NF8-038-010		BOX, CASS 2H<HR>
△ 3	82-NF8-605-010		PT, ZNF-8HR<HR>	34	82-NF8-004-010		BOX, CASS 2U<555EZ, 556EZ, K, V>
4	82-NB8-240-010		COVER, PL	35	82-NF8-021-010		WINDOW, CASS 1
5	84-2G1-245-210		CAP, OPTICAL	36	82-NF8-068-010		BOX, CASS 1 E<EXCEPT HR>
6	86-NF2-001-010		WINDOW, TOP	36	82-NF8-037-010		BOX, CASS 1H<HR>
7	82-NF9-042-010		PANEL, TOP V-2	37	87-NF4-217-010		HLDR, LOCK 2<HR, 555EZ, 556EZ>
8	82-NB8-011-110		PANEL, LEFT V-2	37	87-NF4-217-110		HLDR, LOCK 2<K, V>
9	82-NF9-043-010		PANEL, RIGHT S V-2	38	86-NF9-224-010		SPR-C, LOCK
10	82-NF8-025-010		PANEL, TRAY U	39	87-NF4-216-010		HLDR, LOCK 1
11	82-NE6-067-010		BADGE, AIWA 30N	40	82-NF5-229-010		PLATE, LOCK
12	82-NF8-056-010		CABI, REAR EZSTM<555EZ>	41	88-NF5-208-010		HLDR, PWB-M N
12	82-NF8-057-010		CABI, REAR EZSTM R<556EZ>	42	82-NF8-205-110		HLDR, HT-SINK<K, V>
12	82-NF8-041-010		CABI, REAR HRJSTNM<HR>	42	82-NF8-205-010		HLDR, HT-SINK<HR, 555EZ, 556EZ>
12	82-NF8-043-010		CABI, REAR KSTNE<K>	43	88-NF8-205-010		GUIDE, FL<EXCEPT K>
12	82-NF8-046-110		CABI, REAR VJSTM<V>	44	82-NF5-218-010		SPR-T, EJECT 1 (SIN)
13	87-064-185-010		HLDR, WIRE	45	82-NF5-219-010		SPR-T, EJECT 2 (SIN)
14	87-NF4-221-010		HLDR, CABLE	46	81-532-080-010		LABEL, CASS. COMPT
15	82-NF8-026-010		KNOB, RTRY JOG	47	82-NF8-040-010		CABI, FR E<556EZ>
16	82-NF8-027-010		KNOB, RTRY VOL	47	82-NF8-033-010		CABI, FR H<HR>
17	82-NF8-028-010		KNOB, RTRY MIC<HR>	47	82-NF8-001-010		CABI, FR U<555EZ, K, V>
18	82-NF9-204-010		PLATE, MIC<HR>	A	87-067-703-010		TAPPING SCREW, BVT2+3-10
19	82-NF8-009-010		KEY, EDIT<555EZ, 556EZ, K, V>	B	87-721-097-410		QT2+3-12 GLD
19	82-NF8-048-010		KEY, EDIT H<HR>	C	87-078-191-010		S-SCREW, IT+4-10
20	82-NF8-050-010		KEY, KARAOKE<HR>	D	87-067-688-010		BVTT+3-6
21	82-NF8-020-010		KEY, RDS<556EZ>	E	87-721-096-410		QT2+3-10 GLD
22	82-NF8-008-010		KEY, TIMER	F	87-067-758-010		BVT2+3-12 W/O SLOT
23	82-NF8-013-010		KEY, ASSY PLAY	G	87-067-581-010		TAPPING SCREW, BVT2+3-15
24	82-NF8-016-010		KEY, ASSY PAUSE	H	87-NF4-224-010		S-SCREW, IT3B+3-8 CU
25	82-NF8-006-010		KEY, CD				
26	82-NF8-010-010		KEY, ASSY FUN				
27	82-NF8-005-010		KEY, POWER<EXCEPT K>				
27	82-NF8-005-110		KEY, POWER<K>				
28	82-NF8-007-010		REFLECTOR, ECO				
29	82-NF8-029-010		REFLECTOR, JOG				
30	82-NF8-036-010		WINDOW, DISP E<556EZ>				
30	82-NF8-034-010		WINDOW, DISP H<HR>				
30	82-NF8-035-010		WINDOW, DISP R<555EZ, K, V>				

## COLOR NAME TABLE

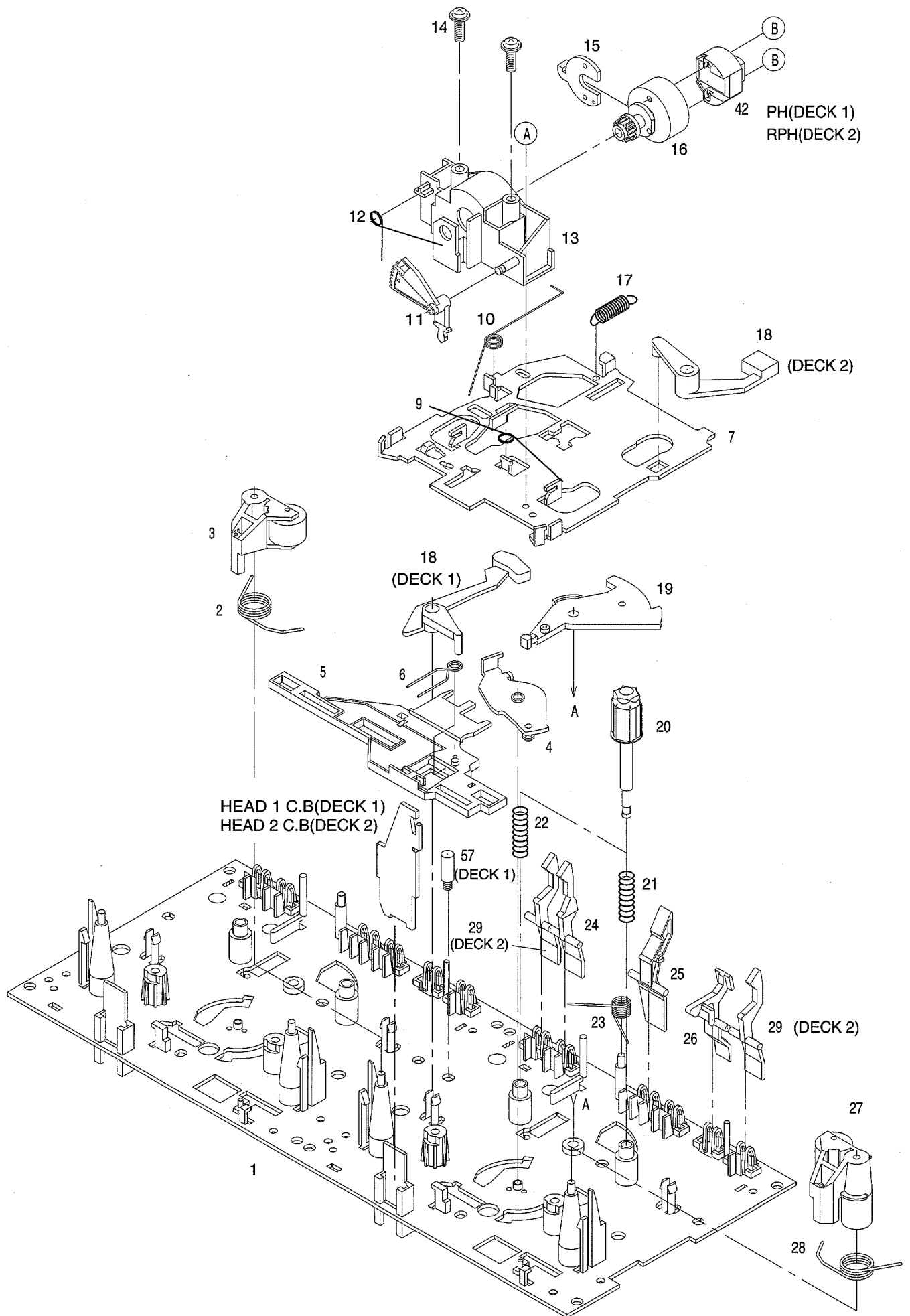
Basic color symbol	Color	Basic color symbol	Color	Basic color symbol	Color
B	Black	C	Cream	D	Orange
G	Green	H	Gray	L	Blue
LT	Transparent Blue	N	Gold	P	Pink
R	Red	S	Silver	ST	Titan Silver
T	Brown	V	Violet	W	White
WT	Transparent White	Y	Yellow	YT	Transparent Yellow
LM	Metallic Blue	LL	Light Blue	GT	Transparent Green
LD	Dark Blue	DT	Transparent Orange		

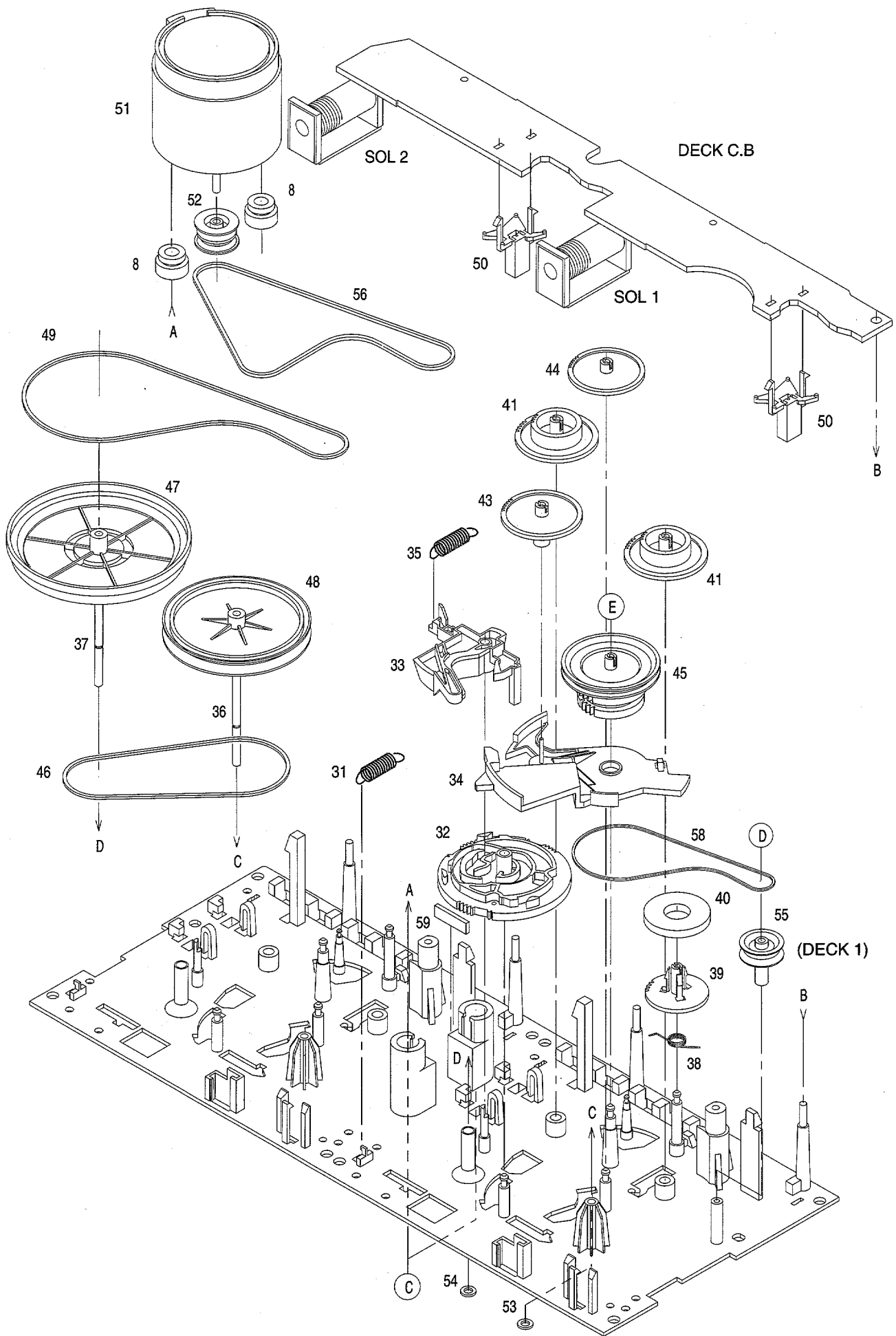
TAPE MECHANISM PARTS LIST 1 / 1 <ZM-3MK2 PR4NM>

If can't understand for Description please kindly refer to "REFERENCE NAME LIST".

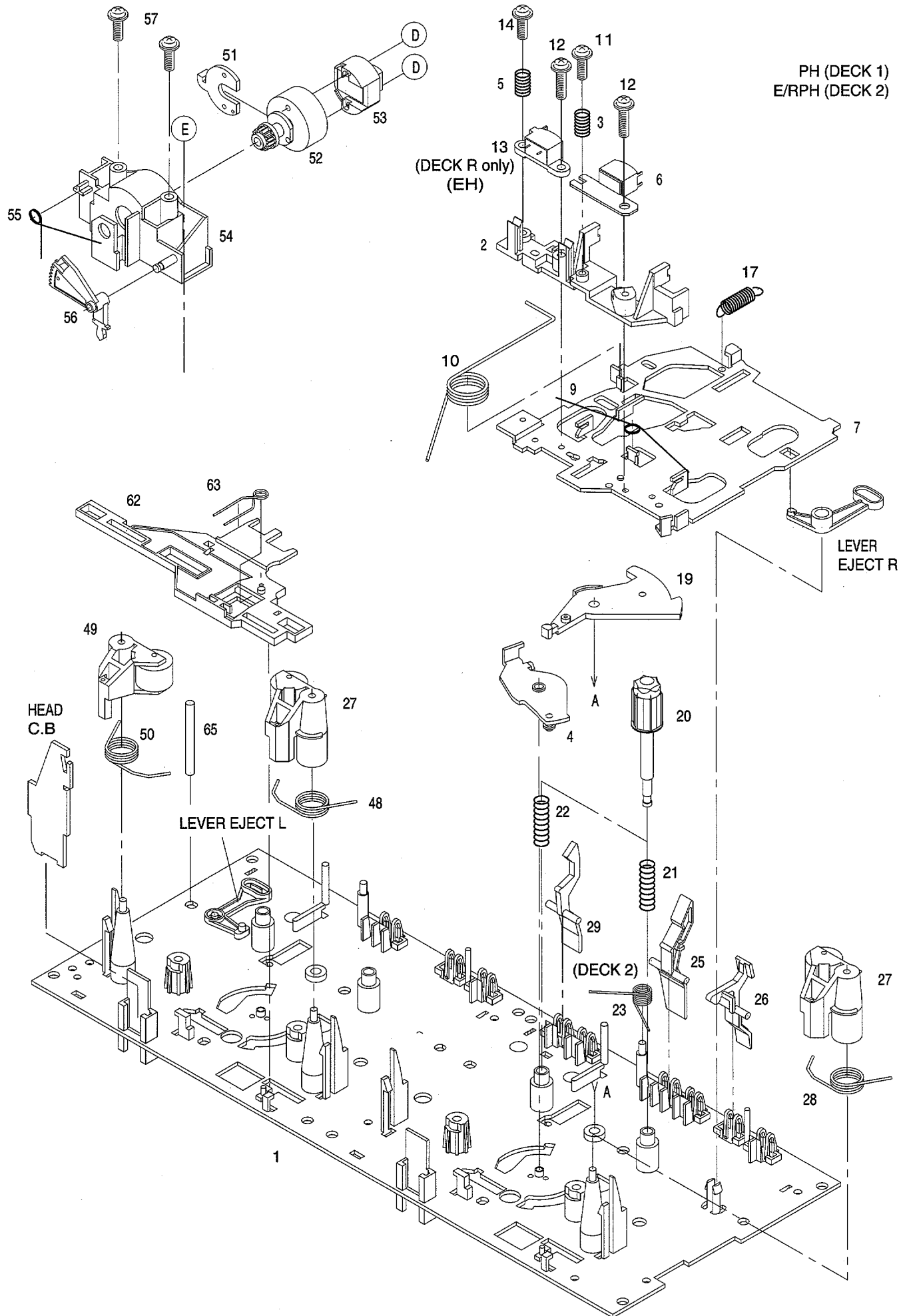
REF. NO	PART NO.	KANRI NO.	DESCRIPTION	REF. NO	PART NO.	KANRI NO.	DESCRIPTION
1	82-ZM3-301-519		CHAS ASSY,M2	36	82-ZM1-236-019		CAPSTAN N 2-41.5
2	82-ZM1-258-110		SPR-T,PINCH L	37	82-ZM1-239-019		CAPSTAN N 2.2-41.7
3	82-ZM1-341-110		LVR ASSY,PINCH L2	38	82-ZM1-322-019		SPR-T,FR60
4	82-ZM1-333-010		PLATE,LINK 2	39	82-ZM1-220-219		GEAR,IDLER
5	82-ZM1-266-11K		LVR,DIR	40	82-ZM3-616-019		RING MAGNET 4
6	82-ZM1-214-010		SPR-T,DIR	41	82-ZM1-216-31K		GEAR,REEL
7	82-ZM1-206-81K		CHAS,HEAD	42	87-A90-319-010		HEAD,PH HADKH2 FPC
8	82-ZM3-307-019		CUSH-G,DIA3.7-8-3.2	42	87-A90-320-010		HEAD,RPH HADKH5 FPC
9	82-ZM1-269-219		SPR-T,BRG	43	82-ZM1-225-21K		GEAR,FR
10	82-ZM1-219-119		SPR-T,LINK	44	82-ZM1-226-019		GEAR,REW
11	82-ZM1-210-119		GEAR,H T	45	82-ZM3-333-310		SLIP DISK ASSY 2
12	82-ZM1-213-019		SPR-T,HEAD	46	82-ZM1-338-010		BELT FR4
13	82-ZM1-207-619		GUIDE,TAPE	47	82-ZM1-349-110		FLY-WHL,R W(DECK 2)
14	86-ZM4-206-010		S-SCREW,AZIMUTH	47	82-ZM3-338-110		FLY-WHL,R3 W(DECK 1)
15	82-ZM1-314-119		PLATE,HEAD	48	82-ZM1-348-010		FLY-WHL,L W(DECK 2)
16	82-ZM1-208-119		HLDR,HEAD	48	82-ZM1-348-010		FLY-WHL,L W(DECK 1)
17	82-ZM1-218-019		SPR-E,HB	49	82-ZM3-329-210		BELT,SBU R2
18	82-ZM1-263-110		LVR,EJECT L (DECK 1)	50	82-ZM1-245-210		HLDR,IC
18	82-ZM1-264-010		LVR,EJECT R (DECK 2)	51	87-045-347-019		MOT,SHU2L 70(M1)
19	82-ZM1-222-21K		LVR,PLAY	52	82-ZM3-221-010		PULLEY,MOT 2M
20	82-ZM1-217-319		REEL TABLE	53	82-ZM1-288-019		SH,1.63-3.2-0.5 SLT
21	82-ZM1-244-510		SPR-C,BT	54	80-ZM6-243-019		SH,1.75-3.6-0.5 SLT
22	82-ZM1-285-310		SPR-C,BT L	55	82-ZM3-335-210		PULLEY,COUPLER M3(DECK 1)
23	82-ZM1-257-019		SPR-T,CAS	56	82-ZM3-337-010		BELT,SBU MOT 2
24	82-ZM1-241-319		LVR,MC	57	82-ZM3-339-010		SHAFT,COUPLER N3(DECK 1)
25	82-ZM1-242-019		LVR,CAS	58	86-ZM1-206-010		BELT,MAIN L
26	82-ZM1-243-019		LVR,STOP	59	82-ZM3-340-010		SH,BELT D2
27	82-ZM1-344-110		LVR ASSY,PINCH R2	A	85-ZM3-202-010		S-SCREW,TG
28	82-ZM1-259-110		SPR-T,PINCH R	B	80-ZM6-207-019		V+1.6-7
29	82-ZM1-240-11K		LVR,REC (DECK 2)	C	82-ZM3-318-019		S-SCRW MOTOR M2
31	82-ZM1-255-319		SPR-E,LVR DIR	D	87-B10-043-010		W-P,0.99-4-0.25 SLT
32	82-ZM3-305-01K		GEAR,CAM M2	E	82-ZM3-334-010		PW,2.16-6-0.4
33	82-ZM1-227-21K		LVR,TRIG				
34	82-ZM3-306-11K		LVR,FR M2				
35	82-ZM1-265-119		SPR-E,TRIG				

TAPE MECHANISM EXPLODED VIEW 1 / 1 <2ZM-3MK2 PR4NM>

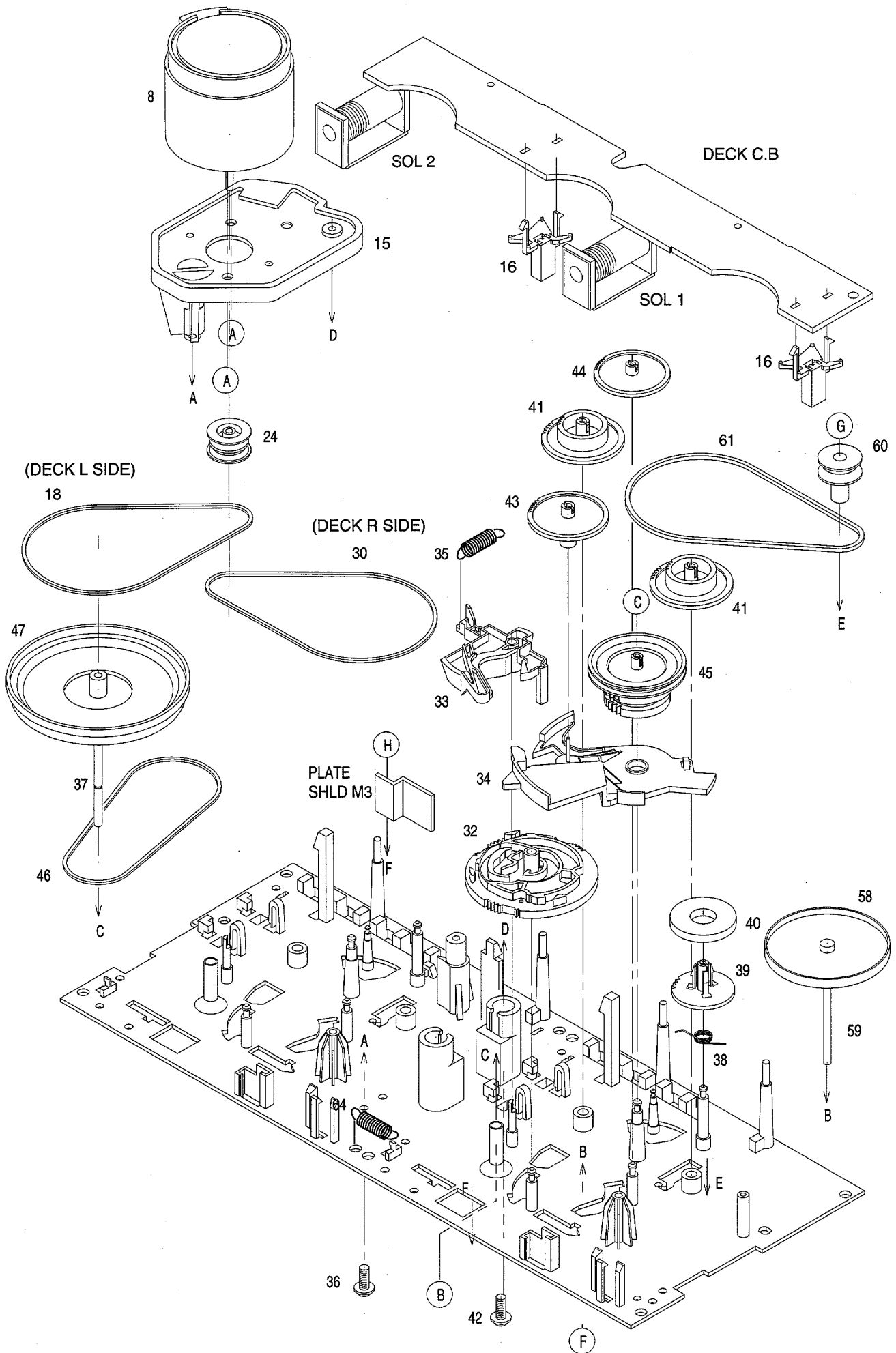




TAPE MECHANISM EXPLODED VIEW 1 / 1 <6ZM-3 PR2NM>





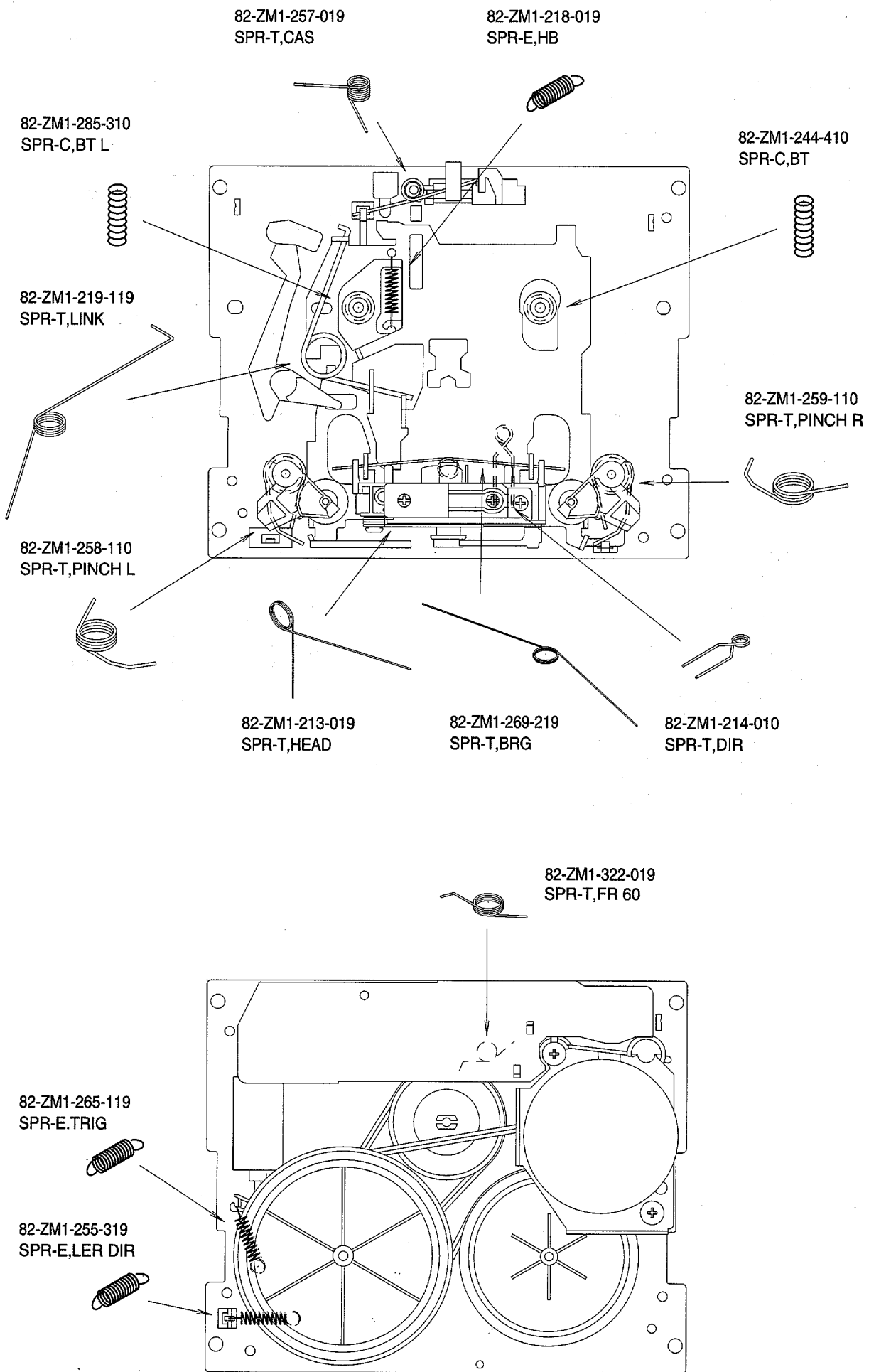


TAPE MECHANISM PARTS LIST 1 / 1 <6ZM-3 PR2NM>

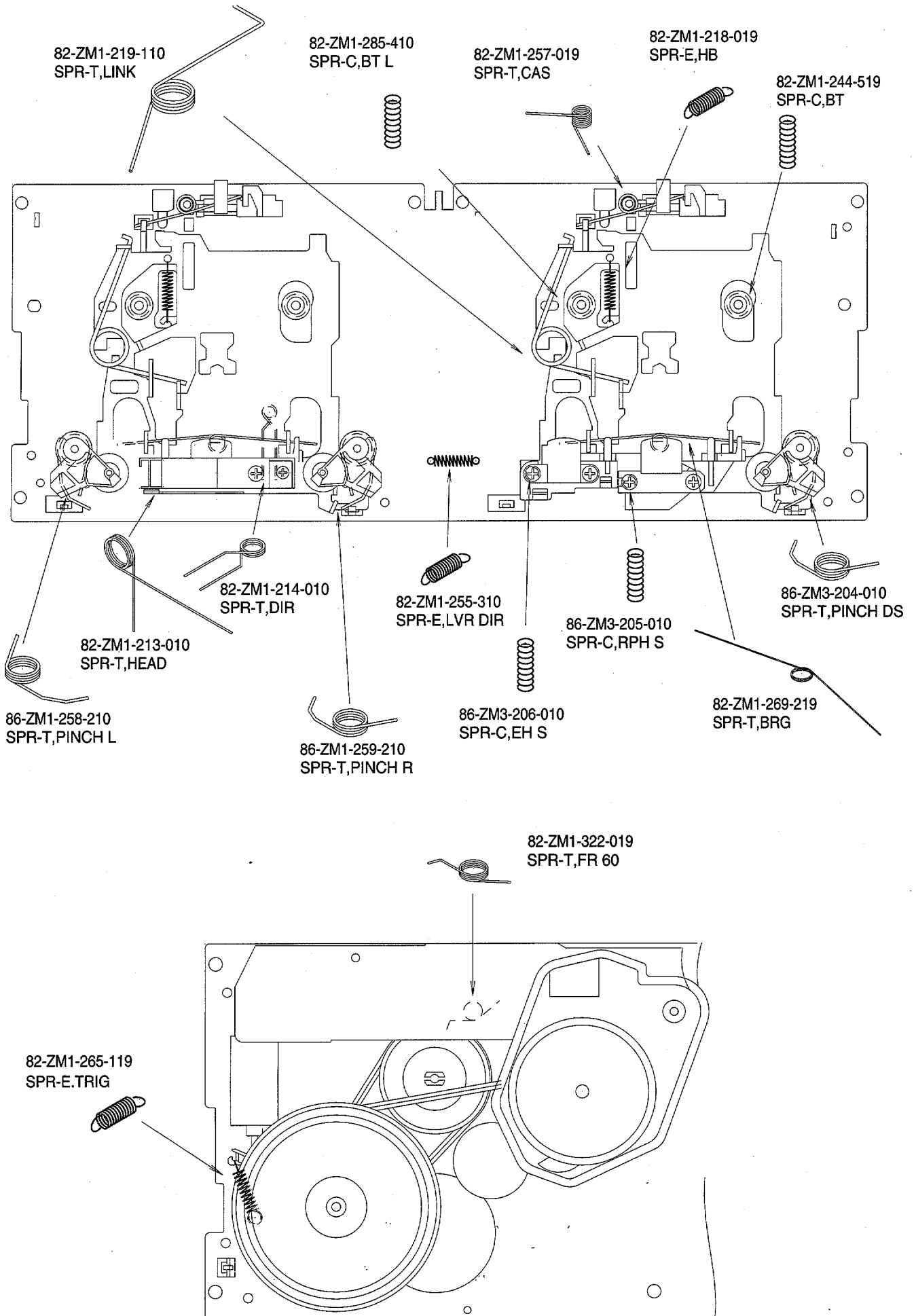
If can't understand for Description please kindly refer to "REFERENCE NAME LIST".

REF. NO.	PART NO.	KANRI NO.	DESCRIPTION	REF. NO.	PART NO.	KANRI NO.	DESCRIPTION
1	86-ZM3-215-010		CHAS ASSY,RS	41	82-ZM1-216-319		GEAR,REEL
2	86-ZM3-202-010		BASE,HEAD S	42	86-ZM3-213-010		S-SCREW,HLDR,MOT 3
3	86-ZM3-205-010		SPR-C,RPH S	43	82-ZM1-225-219		GEAR,FR
4	82-ZM1-333-210		PLATE,LINK 2	44	82-ZM1-226-019		GEAR,REW
5	86-ZM3-206-010		SPR-C,EH S	45	82-ZM3-333-310		SLIP DISK ASSY 2
6	87-A90-403-019		HEAD,RPH MS15R	46	82-ZM1-338-010		BELT FR4
7	86-ZM3-201-010		CHAS,HEAD S(DECK L)	47	82-ZM1-349-019		FLY-WHL RW (DECK L)
7	82-ZM3-206-910		CHAS,HEAD(DECK R)	47	82-ZM3-338-010		FLY-WHL R3W (DECK R)
8	87-045-347-019		MOT,SHU2L 70(M1)	48	82-ZM1-259-210		SPR-T,PINCH R
9	82-ZM1-269-219		SPR-T,BRG	49	82-ZM1-341-110		LVR ASSY,PINCH L2
10	82-ZM1-219-110		SPR-T,LINK	50	82-ZM1-258-210		SPR-T,PINCH L
11	86-ZM3-209-010		S-SCREW,ASIMUTHS	51	82-ZM1-314-110		PLATE,HEAD
12	86-ZM3-207-010		S-SCREW,RPH	52	82-ZM1-208-310		HLDR,HEAD
13	87-A90-404-019		HEAD,EH LE15B	53	87-A90-366-010		HEAD,PH YK50P-BF414
14	86-ZM3-208-010		S-SCREW,EH	54	82-ZM1-207-810		GUIDE TAPE
15	86-ZM3-203-010		HLDR,MOTS	55	82-ZM1-213-010		SPR-T,HEAD
16	82-ZM1-245-210		HLDR,IC	56	82-ZM1-210-110		GEAR,HT
17	82-ZM1-218-019		SPR-E,HB	57	86-ZM4-206-010		S-SCREW AZIMUTH L
18	86-ZM3-214-010		BELT,SUB RR	58	82-ZM1-348-010		FLY-WHL,LW
19	82-ZM1-222-219		LVR,PLAY	59	82-ZM1-236-019		CAPSTAN N 2-41.5
20	82-ZM1-217-419		REEL TABLE	60	82-ZM3-335-210		PULLEY,COUPLER M3
21	82-ZM1-244-519		SPR-C,BT	61	86-ZM1-206-010		BELT,MAIN L
22	82-ZM1-285-410		SPR-C,BT L	62	82-ZM1-266-110		LVR,DIR
23	82-ZM1-257-019		SPR-T,CAS	63	82-ZM1-214-010		SPR-T,DIR
24	82-ZM3-221-010		PULLEY,MOT 2M	64	82-ZM1-255-310		SPR-E,LVR DIR
25	82-ZM1-242-019		LVR,CAS	65	82-ZM3-339-010		SHAFT,COUPLER N3
26	82-ZM1-243-019		LVR,STOP	A	87-251-071-417		U+2.6-4
27	82-ZM1-344-119		LVR ASSY,PINCH	B	80-ZM6-243-019		SH,1.75-3.6-0.5 SLT
28	86-ZM3-204-010		SPR-T,PINCHDS	C	82-ZM3-334-010		PW,2.16-6-0.4
29	82-ZM1-240-119		LVR,REC (DECK 2)	D	80-ZM6-207-010		V+1.6-7
30	86-ZM3-210-010		BELT,RS	E	85-ZM3-202-010		S-SCREW TG
32	82-ZM3-305-119		GEAR,CAM M2	F	82-ZM1-288-010		SH,1.63-3.2-0.5 SLT
33	82-ZM1-227-319		LVR,TRIG	G	87-B10-043-010		W-P,0.99-4-0.25 SLT
34	82-ZM3-306-110		LVR,FR M2	H	87-571-032-410		VIT+2-3
35	82-ZM1-265-119		SPR-E,TRIG				
36	87-761-073-419		VFT2+2.6-6 W/O SLOT				
37	82-ZM1-239-019		CAPSTAN N 2.2-41.7				
38	82-ZM1-322-019		SPR-T,FR60				
39	82-ZM1-220-219		GEAR,IDLER				
40	82-ZM3-616-019		RING MAGNET 4				

SPRING APPLICATION POSITION <2ZM-3MK2 PR4NM>



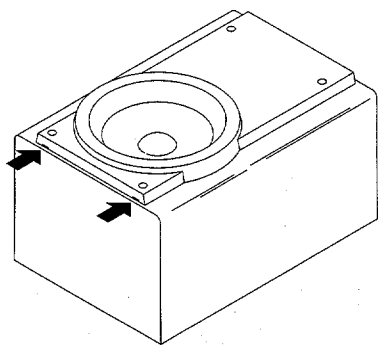
SPRING APPLICATION POSITION <6ZM-3 PR2NM>



# SPEAKER DISASSEMBLY INSTRUCTIONS

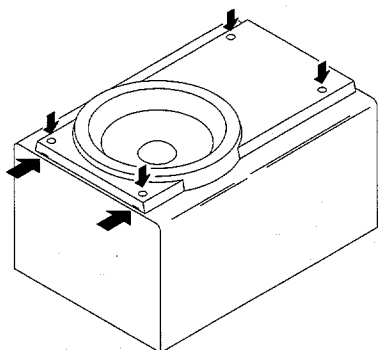
## Type.1

Insert a flat-bladed screwdriver into the position indicated by the arrows and remove the panel. Remove the screws of each speaker unit and then remove the speaker units.



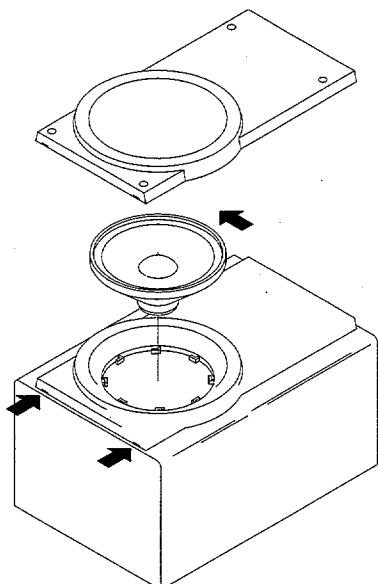
## Type.2

Remove the grill frame and four pieces of rubber caps by pulling out with a flat-bladed screwdriver. Remove the screws from hole where installed rubber caps. Insert a flat-bladed screwdriver into the position indicated by the arrows and remove the panel. Remove the screws of each speaker unit and then remove the speaker units.

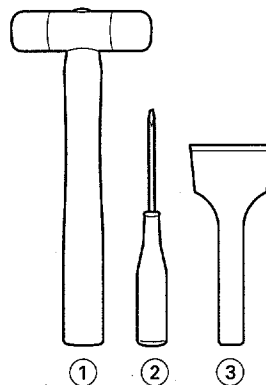


## Type.3

Insert a flat-bladed screwdriver into the position indicated by the arrows and remove the panel. Turn the speaker unit to counter-clockwise direction while inserting a flat-bladed screwdriver into one of the hollows around speaker unit, and then remove the speaker unit. After replacing the speaker unit, install it turning to clockwise direction until "click" sound comes out.



## Type.4



## TOOLS

- ① Plastic head hammer
- ② (⊖) flat head screwdriver
- ③ Cut chisel

## How to Remove the PANEL, FR

1. Insert the (⊖) flat head screwdriver tip into the gap between the PANEL, FR and the PANEL, SPKR. Tap the head of the (⊖) flat head screwdriver with the plastic hammer head, and create the clearance as shown in Fig-1.
2. Insert the cut chisel in the clearance, and tap the head of the cut chisel with plastic hammer as shown in Fig-2, to remove the PANEL, FR.
3. Place the speaker horizontally. Tap head of the cut chisel with plastic hammer as shown in Fig-3, and remove the PANEL, FR completely.

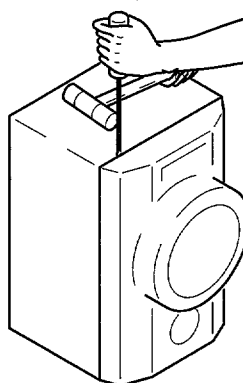


Fig-1

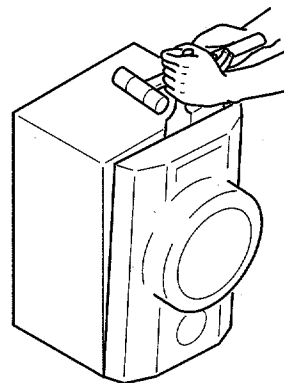


Fig-2

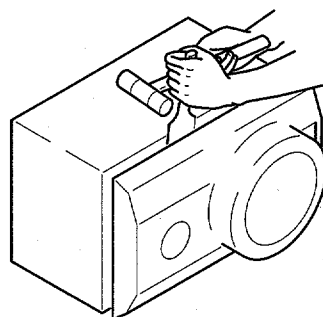


Fig-3

## How to Attach the PANEL, FR

Attach the PANEL, FR to the PANEL, SPKR. Tap the four corners of the PANEL, FR with the plastic hammer to fit the PANEL, FR into the PANEL, SPKR completely.

# SPEAKER PARTS LIST

## SX-WNS555 (YLSTCC, YLSC1C, YLSTL, YLSKM)

If can't understand for Description please kindly refer to "REFERENCE NAME LIST".

REF. NO.	PART NO.	KANRI NO.	DESCRIPTION
1	88-NS3-029-010		CORD,BUSH L
2	88-NS5-610-010		CORD,SPKR
3	88-NS5-611-010		CORD,SPKR B/L
4	8Z-NS8-002-010		PANEL,BA
5	8Z-NS8-008-010		PANEL,BA 556<556EZ>
6	8Z-NS8-003-010		PROTECTOR, TW
7	8Z-NS8-012-010		PANEL,FR N<YSTC9,YSTY1,YSTY2>
8	8Z-NS8-016-010		GRILL FRAME ASSY<YSTC9,YSTY1,YSTY2>
9	8Z-NSY-003-010		CORD,BUSH
10	8Z-NSY-602-010		SPKR, W 160<YJSTL,YSTL,YJSTC1>
11	8Z-NSY-604-010		SPKR, M 100<YJSTL,YSTL,YJSTC1>
12	8Z-NSY-602-110		SPKR, W 160<YJSTC9,YSTC9>
13	8Z-NSY-604-110		SPKR, M 100<YJSTC9,YSTC9>
14	8Z-NS8-604-010		SPKR, W 160<YSTY1,YSTY2>
15	8Z-NS8-606-010		SPKR, M 100<YSTY1,YSTY2>

# ACCESSORIES / PACKAGE LIST

If can't understand for Description please kindly refer to "REFERENCE NAME LIST".

REF. NO.	PART NO.	KANRI NO.	DESCRIPTION
1	87-A90-054-010		ANT LOOP AM-CON C<HR>
1	87-A90-030-010		ANT LOOP AM-NC C<EXCEPT HR>
2	87-043-106-010		AM,FM 1007AWG<555/556EZ,K>
3	8Z-NF8-701-110		RC UNIT,RC-ZAS01<HR,555/556EZ>
3	8Z-NF8-702-010		RC UNIT,RC-ZAS01<EXCEPT K>
4	8Z-NF8-905-010		IB,K(E)E<K>
4	8Z-NF8-916-010		IB,EZ(9L)M NO RDS-S555<555EZ>
4	8Z-NF8-906-010		IB,EZ(9L)E RDS-S556<556EZ>
4	8Z-NF8-901-110		IB,H(ECA)M<HR>
4	8Z-NF8-907-010		IB,V(ER)M<V>
△ 5	87-050-079-010		AC CORD ASSY,E BLK
△ 6	87-099-811-010		PLUG,ADPTR CONV(K)<K>
△ 6	87-099-789-010		PLUG,ADPTR IR44<HR>
7	87-043-115-010		ANT,FEEDER FM<HR,V>

# REFERENCE NAME LIST

## ELECTRICAL SECTION

DESCRIPTION	REFERENCE NAME
ANT	ANTENNAS
C-	CHIP
C-CAP	CAP, CHIP
C-CAP TN	CAP, CHIP TANTALUM
C-COIL	COIL, CHIP
C-DI	DIODE, CHIP
C-DIODE	DIODE, CHIP
C-FET	FET, CHIP
C-FOTR	FILTER, CHIP
C-JACK	JACK, CHIP
C-LED	LED, CHIP
C-RES	RES, CHIP
C-SFR	SFR, CHIP
C-SLIDE SW	SLIDE SWITCH, CHIP
C-SW	SWITCH, CHIP
C-TR	TRANSISTOR, CHIP
C-VR	VOLUME, CHIP
C-ZENER	ZENER, CHIP
CAP, CER	CAP, CERA-SOL
CAP, E	CAP, ELECT
CAP, M/F	CAP, FILM
CAP, TC	CAP, CERA-SOL
CAP, TC-U	CAP, CERA-SOL SS
CAP, TN	CAP, TANTALUM
CERA FIL	FILTER, CERAMIC
CF	FILTER, CERAMIC
DL	DELAY LINE
E/CAP	CAP, ELECT
FILT	FILTER
FLTR	FILTER
FUSE RES	RES, FUSE
MOT	MOTOR
P-DIODE	PHOTO DIODE
P-SNSR	PHOTO SENSER
P-TR	PHOTO TRANSISTOR
POLY VARI	VARIABLE CAPACITOR
PPCAP	CAP, PP
PT	POWER TRANSFORMER
PTR, RES	PTR, MELF
RC	REMOTE CONTROLLER
RES NF	RES, NON-FLAMMABLE
RESO	RESONATOR
SHLD	SHIELD
SOL	SOLENOID
SPKR	SPEAKER
SW, LVR	SWITCH, LEVER
SW, RTRY	SWITCH, ROTARY
SW, SL	SWITCH, SLIDE
TC CAP	CAP, CERA-SOL
THMS	THERMISTOR
TR	TRANSISTOR
TRIMER	CAP, TRIMMER
TUN-CAP	VARIABLE CAPACITOR
VIB, CER	RESONATOR, CERAMIC
VIB, XTAL	RESONATOR, CRYSTAL
VR	VOLUME
ZENER	DIODE, ZENER

## MÉCHANICAL SECTION

DESCRIPTION	REFERENCE NAME
ADHESHIVE	SHEET ADHESHIVE
AZ	AZIMUTH
BAR-ANT	BAR-ANTENNA
BAT	BATTERY
BATT	BATTERY
BRG	BEARING
BTN	BUTTON
CAB	CABINET
CASS	CASSETTE
CHAS	CHASSIS
CLR	COLLAR
CONT	CONTROL
CRSR	CURSOR
CU	CUSHION
CUSH	CUSHION
DIR	DIRECTION
DUBB	DUBBING
FL	FRONT LOADING
FLY-WHL	FLYWHEEL
FR	FRONT
FUN	FUNCTION
G-CU	G-CUSHION
HDL	HANDOL
HIMERON	CLOTH
HINGE, BAT	HINGE, BATTERY
HLDR	HOLDER
HT-SINK	HEAT SINK
IB	INSTRUCTION BOOKLET
IDLE	IDLER
IND, L-R	INDICATOR, L-R
KEY, CONT	KEY, CONTROL
KEY, PRGM	KEY, PROGRAM
KNOB, SL	KNOB, SLIDE
LBL	LABEL
LID, BATT	LID, BATTERY
LID, CASS	LID, CASSETTE
LVR	LEVER
P-SP	P-SPRING
PANEL, CONT	PANEL, CONTROL
PANEL, FR	PANEL, FRONT
PRGM	PROGRAM
PULLY, LOAD MO	PULLY, LOAD MOTOR
RBN	RIBBON
S-	SPECIAL
SEG	SEGMENT
SH	SHEET
SHLD-SH	SHIELD-SHEET
SL	SLIDE
SP	SPRING
SP-SCREW	SPECIAL-SCREW
SPACER, BAT	SPACER, BATTERY
SPR	SPRING
SPR-P	P-SPRING
SPR-PC-PUSH	P-SPRING, C-PUSH
T-SP	T-SPRING
TERM	TERMINAL
TRIG	TRIGGER
TUN	TUNING
VOL	VOLUME
W	WASHER
WHL	WHEEL
WORM-WHL	WORM-WHEEL

サービス技術ニュース	
番号	連絡内容
G-	-
G-	-
G-	-

**アイワ株式会社**  
**AIWA CO., LTD.**

9820527, 931261

Tokyo Japan