

aiwa



NSX-S559 NSX-S555

COMPACT DISC STEREO SYSTEM

- BASIC TAPE MECHANISM: 2ZM-3MK2 YPR4NM
- BASIC CD MECHANISM: 4ZP-1 Z3RDSHM/4ZP-1 Z3RDSCHM
- TYPE: LH,HA

SIMPLE MANUAL

- Replace this Service Manual with "Revision Publishing" when it is issued.

S/M Code No. 09-994-401-7T3

MANUAL
SERVICE

ELECTRICAL PARTS LIST-1/4 (MAIN ZZA-7)<LH>

NOTE: The characters in the suffix column indicate the part usage.

REF.NO	PARTS NO.	NO.	DESCRIPTION	SUFFIX
LHJSKM(559)	XX	A.....
		KANRI		
C	307	87-010-196-080	CHIP CAPACITOR,0.1-25	A.....
C	309	87-010-196-080	CHIP CAPACITOR,0.1-25	A.....
C	302	87-010-318-080	C-CAP,S 47P-50 CH	A.....
C	301	87-010-318-080	C-CAP,S 47P-50 CH	A.....
C	305	87-012-145-080	CAP, CHIP S 270P CH	A.....
C	306	87-012-145-080	CAP, CHIP S 270P CH	A.....
C	303	87-012-157-080	C-CAP,S 330P-50 CH	A.....
C	304	87-012-157-080	C-CAP,S 330P-50 CH	A.....
C	314	87-010-178-080	CHIP CAP 1000P	A.....
C	313	87-010-178-080	CHIP CAP 1000P	A.....
C	315	87-010-178-080	CHIP CAP 1000P	A.....
C	316	87-010-178-080	CHIP CAP 1000P	A.....
C	310	87-010-196-080	CHIP CAPACITOR,0.1-25	A.....
C	311	87-010-198-080	CAP, CHIP 0.022	A.....
C	312	87-010-198-080	CAP, CHIP 0.022	A.....
C	324	87-010-260-080	CAP, ELECT 47-25V	A.....
C	325	87-010-370-080	CAP,E 330-6.3 SME	A.....
C	327	87-010-404-080	CAP, ELECT 4.7-50V	A.....
C	328	87-010-404-080	CAP, ELECT 4.7-50V	A.....
C	321	87-016-492-080	C-CAP,S 0.33-16 FZ	A.....
C	322	87-016-492-080	C-CAP,S 0.33-16 FZ	A.....
C	339	87-010-196-080	CHIP CAPACITOR,0.1-25	A.....
C	337	87-010-196-080	CHIP CAPACITOR,0.1-25	A.....
C	332	87-010-196-080	CHIP CAPACITOR,0.1-25	A.....
C	336	87-010-401-080	CAP, ELECT 1-50V	A.....
C	335	87-010-401-080	CAP, ELECT 1-50V	A.....
C	340	87-010-196-080	CHIP CAPACITOR,0.1-25	A.....
C	354	87-010-175-080	CAP 560P	A.....
C	358	87-010-183-080	C-CAP,S 2700P-50 B	A.....
C	359	87-010-183-080	C-CAP,S 2700P-50 B	A.....
C	357	87-010-197-080	CAP, CHIP 0.01 DM	A.....
C	356	87-010-260-080	CAP, ELECT 47-25V	A.....
C	352	87-012-140-080	CAP 470P	A.....
C	351	87-012-140-080	CAP 470P	A.....
C	355	87-012-349-080	C-CAP,S 1000P-50 CH	A.....
C	360	87-010-183-080	C-CAP,S 2700P-50 B	A.....
C	363	87-A10-772-080	CAP,M 5600P-50 J	A.....
C	370	87-010-196-080	CHIP CAPACITOR,0.1-25	A.....
C	378	87-010-196-080	CHIP CAPACITOR,0.1-25	A.....
C	379	87-010-406-080	CAP, ELECT 22-50	A.....
C	374	87-016-083-080	C-CAP,S 0.15-16 RK	A.....
C	373	87-016-083-080	C-CAP,S 0.15-16 RK	A.....
C	386	87-010-196-080	CHIP CAPACITOR,0.1-25	A.....
C	380	87-010-406-080	CAP, ELECT 22-50	A.....
C	388	87-012-156-080	C-CAP,S 220P-50 CH	A.....
C	392	87-010-319-080	C-CAP,S 56P-50 CH	A.....
C	394	87-010-319-080	C-CAP,S 56P-50 CH	A.....
C	391	87-010-319-080	C-CAP,S 56P-50 CH	A.....
C	393	87-010-319-080	C-CAP,S 56P-50 CH	A.....
CN	301	87-099-827-010	CONN,3P S2M-3W	A.....
CN	351	87-099-832-010	CONN,8P S2M-8W	A.....
D	352	87-A40-269-080	C-DIODE,MC2836	A.....
IC	303	87-A20-783-040	C-IC,BA7762AFS	A.....
L	301	87-A50-049-010	COIL,TRAP 85K(COI)	A.....
L	302	87-A50-049-010	COIL,TRAP 85K(COI)	A.....
L	351	87-007-342-010	COIL,OSC 85K BIAS	A.....
Q	358	87-026-610-080	TR,KTC3198GR	A.....
Q	359	87-026-610-080	TR,KTC3198GR	A.....
Q	357	87-026-610-080	TR,KTC3198GR	A.....
Q	351	87-A30-087-080	C-FET,2SK2158	A.....
Q	353	87-A30-087-080	C-FET,2SK2158	A.....
Q	354	87-A30-087-080	C-FET,2SK2158	A.....
Q	355	87-A30-105-080	C-TR,RT1P 441C	A.....
SFR	351	87-A90-433-080	SFR,50K H NVZ6TLTA	A.....
SFR	352	87-A90-433-080	SFR,50K H NVZ6TLTA	A.....
		87-067-703-010	TAPPING SCREW, BVT2+3-10	A.....
C	101	87-010-178-080	CHIP CAP 1000P	A.....
C	102	87-010-178-080	CHIP CAP 1000P	A.....
C	103	87-010-405-080	CAP, ELECT 10-50V	A.....
C	104	87-010-405-080	CAP, ELECT 10-50V	A.....
C	107	87-010-408-080	CAP, ELECT 47-50V	A.....
C	108	87-010-408-080	CAP, ELECT 47-50V	A.....
C	112	87-010-260-080	CAP, ELECT 47-25V	A.....
C	111	87-010-260-080	CAP, ELECT 47-25V	A.....
C	117	87-016-247-080	C-CAP,0.1-50 F	A.....
C	118	87-016-247-080	C-CAP,0.1-50 F	A.....
C	114	87-A10-685-080	C-CAP,S 470P-100 J CH	A.....
C	113	87-A10-685-080	C-CAP,S 470P-100 J CH	A.....
C	123	87-010-176-080	C-CAP,S 680P-50 SL	A.....
C	124	87-010-176-080	C-CAP,S 680P-50 SL	A.....
C	122	87-010-178-080	CHIP CAP 1000P	A.....
C	121	87-010-178-080	CHIP CAP 1000P	A.....
C	129	87-010-191-080	C-CAP,S 0.015-50 F	A.....
C	128	87-012-368-080	C-CAP,S 0.1-50 F	A.....
C	126	87-012-368-080	C-CAP,S 0.1-50 F	A.....
C	125	87-012-368-080	C-CAP,S 0.1-50 F	A.....

ELECTRICAL PARTS LIST-2/4 (MAIN ZZA-7)<LH>

C	127	87-012-368-080	C-CAP,S 0.1-50 F	A.....
C	130	87-010-191-080	C-CAP,S 0.015-50 F	A.....
C	131	87-010-197-080	CAP,CHIP 0.01 DM	A.....
C	132	87-010-197-080	CAP,CHIP 0.01 DM	A.....
C	133	87-010-197-080	CAP,CHIP 0.01 DM	A.....
D	104	87-020-465-080	DIODE,1SS133 (110MA)	A.....
D	102	87-020-465-080	DIODE,1SS133 (110MA)	A.....
D	103	87-020-465-080	DIODE,1SS133 (110MA)	A.....
D	109	87-020-465-080	DIODE,1SS133 (110MA)	A.....
D	101	87-020-465-080	DIODE,1SS133 (110MA)	A.....
D	108	87-A40-488-080	DIODE,1SS244	A.....
D	107	87-A40-488-080	DIODE,1SS244	A.....
D	112	87-020-465-080	DIODE,1SS133 (110MA)	A.....
D	114	87-020-465-080	DIODE,1SS133 (110MA)	A.....
D	110	87-020-465-080	DIODE,1SS133 (110MA)	A.....
D	113	87-020-465-080	DIODE,1SS133 (110MA)	A.....
D	115	87-020-465-080	DIODE,1SS133 (110MA)	A.....
D	111	87-A40-270-080	C-DIODE,MC2838	A.....
J	203	87-A60-238-010	TERMINAL,SP 4P (MSC)	A.....
J	201	87-A60-483-010	JACK,DIA6.3 BLK ST W/S KM	A.....
L	101	87-003-383-010	COIL,1UH-S	A.....
L	102	87-003-383-010	COIL,1UH-S	A.....
Q	106	87-A30-075-080	C-TR,2SA1235F	A.....
Q	105	87-A30-075-080	C-TR,2SA1235F	A.....
Q	103	87-A30-075-080	C-TR,2SA1235F	A.....
Q	104	87-A30-075-080	C-TR,2SA1235F	A.....
Q	108	87-A30-076-080	C-TR,2SC3052F	A.....
Q	109	87-A30-076-080	C-TR,2SC3052F	A.....
Q	107	87-A30-076-080	C-TR,2SC3052F	A.....
Q	101	87-A30-257-080	C-TR,2SD1306E	A.....
Q	102	87-A30-257-080	C-TR,2SD1306E	A.....
Q	110	87-A30-076-080	C-TR,2SC3052F	A.....
Q	116	87-A30-097-010	TR,FN 1016	A.....
Q	115	87-A30-097-010	TR,FN 1016	A.....
Q	118	87-A30-098-010	TR,FP 1016	A.....
Q	117	87-A30-098-010	TR,FP 1016	A.....
Q	112	87-A30-190-080	TR,CC5551	A.....
Q	111	87-A30-190-080	TR,CC5551	A.....
Q	126	87-A30-075-080	C-TR,2SA1235F	A.....
Q	127	87-A30-075-080	C-TR,2SA1235F	A.....
Q	129	87-A30-076-080	C-TR,2SC3052F	A.....
Q	128	87-A30-076-080	C-TR,2SC3052F	A.....
Q	124	87-A30-106-070	C-TR,CMBT5551	A.....
Q	123	87-A30-106-070	C-TR,CMBT5551	A.....
Q	130	87-A30-076-080	C-TR,2SC3052F	A.....
Q	131	87-A30-076-080	C-TR,2SC3052F	A.....
R	129	87-A00-257-080	RES,M/F 0.15-1W J	A.....
R	130	87-A00-257-080	RES,M/F 0.15-1W J	A.....
R	132	87-A00-257-080	RES,M/F 0.15-1W J	A.....
R	131	87-A00-257-080	RES,M/F 0.15-1W J	A.....
R	144	87-A00-440-050	RES,220-1/2W J RP	A.....
R	146	87-A00-440-050	RES,220-1/2W J RP	A.....
R	145	87-A00-440-050	RES,220-1/2W J RP	A.....
R	143	87-A00-440-050	RES,220-1/2W J RP	A.....
R	165	87-A00-257-080	RES,M/F 0.15-1W J	A.....
R	166	87-A00-257-080	RES,M/F 0.15-1W J	A.....
C	204	87-010-177-080	C-CAP,S 820P-50 SL	A.....
C	203	87-010-177-080	C-CAP,S 820P-50 SL	A.....
C	209	87-010-403-080	CAP,ELECT 3.3-50V	A.....
C	211	87-010-181-080	CAP,CHIP S 1800P	A.....
C	212	87-010-181-080	CAP,CHIP S 1800P	A.....
C	218	87-010-260-080	CAP,ELECT 47-25V	A.....
C	217	87-010-260-080	CAP,ELECT 47-25V	A.....
C	216	87-010-322-080	C-CAP,S 100P-50 CH	A.....
C	215	87-010-322-080	C-CAP,S 100P-50 CH	A.....
C	210	87-010-403-080	CAP,ELECT 3.3-50V	A.....
C	214	87-010-403-080	CAP,ELECT 3.3-50V	A.....
C	213	87-010-403-080	CAP,ELECT 3.3-50V	A.....
C	219	87-A10-946-080	C-CAP,S 220P-100 J CH	A.....
C	229	87-010-993-080	C-CAP,S 0.056-25 B	A.....
C	226	87-012-368-080	C-CAP,S 0.1-50 F	A.....
C	225	87-012-368-080	C-CAP,S 0.1-50 F	A.....
C	220	87-A10-946-080	C-CAP,S 220P-100 J CH	A.....
C	231	87-010-196-080	CHIP CAPACITOR,0.1-25	A.....
C	239	87-010-196-080	CHIP CAPACITOR,0.1-25	A.....
C	232	87-010-196-080	CHIP CAPACITOR,0.1-25	A.....
C	230	87-010-993-080	C-CAP,S 0.056-25 B	A.....
C	240	87-010-408-080	CAP,ELECT 47-50V	A.....
D	203	87-020-465-080	DIODE,1SS133 (110MA)	A.....
D	202	87-020-465-080	DIODE,1SS133 (110MA)	A.....
D	201	87-020-465-080	DIODE,1SS133 (110MA)	A.....
D	204	87-020-465-080	DIODE,1SS133 (110MA)	A.....
D	207	87-A40-488-080	DIODE,1SS244	A.....
D	208	87-A40-488-080	DIODE,1SS244	A.....
D	214	87-020-465-080	DIODE,1SS133 (110MA)	A.....
D	211	87-A40-270-080	C-DIODE,MC2838	A.....
J	205	87-A60-751-010	JACK,PIN 2P R/W BLUE	A.....
L	201	87-003-383-010	COIL,1UH-S	A.....
L	202	87-003-383-010	COIL,1UH-S	A.....
Q	204	87-A30-075-080	C-TR,2SA1235F	A.....
Q	203	87-A30-075-080	C-TR,2SA1235F	A.....
Q	205	87-A30-075-080	C-TR,2SA1235F	A.....

ELECTRICAL PARTS LIST-3/4 (MAIN ZZA-7)<LH>

Q	206	87-A30-075-080	C-TR,2SA1235F	A.....
Q	209	87-A30-076-080	C-TR,2SC3052F	A.....
Q	208	87-A30-076-080	C-TR,2SC3052F	A.....
Q	207	87-A30-076-080	C-TR,2SC3052F	A.....
Q	202	87-A30-257-080	C-TR,2SD1306E	A.....
Q	201	87-A30-257-080	C-TR,2SD1306E	A.....
Q	210	87-A30-076-080	C-TR,2SC3052F	A.....
Q	219	87-A30-119-040	C-TR,2SC3906K R	A.....
Q	212	87-A30-190-080	TR,CC5551	A.....
Q	211	87-A30-190-080	TR,CC5551	A.....
Q	218	87-A30-255-010	TR,2SB1342	A.....
Q	217	87-A30-255-010	TR,2SB1342	A.....
Q	215	87-A30-256-010	TR,2SD1933	A.....
Q	216	87-A30-256-010	TR,2SD1933	A.....
Q	225	87-A30-076-080	C-TR,2SC3052F	A.....
Q	224	87-A30-076-080	C-TR,2SC3052F	A.....
Q	226	87-A30-076-080	C-TR,2SC3052F	A.....
Q	227	87-A30-076-080	C-TR,2SC3052F	A.....
Q	220	87-A30-119-040	C-TR,2SC3906K R	A.....
R	234	87-A00-258-080	RES,M/F 0.22-1W J	A.....
R	231	87-A00-258-080	RES,M/F 0.22-1W J	A.....
R	232	87-A00-258-080	RES,M/F 0.22-1W J	A.....
R	233	87-A00-258-080	RES,M/F 0.22-1W J	A.....
R	265	87-A00-258-080	RES,M/F 0.22-1W J	A.....
R	266	87-A00-258-080	RES,M/F 0.22-1W J	A.....
C	5	87-012-368-080	C-CAP,S 0.1-50 F	A.....
C	6	87-012-368-080	C-CAP,S 0.1-50 F	A.....
C	3	87-012-368-080	C-CAP,S 0.1-50 F	A.....
C	4	87-012-368-080	C-CAP,S 0.1-50 F	A.....
C	1	87-012-369-080	C-CAP,S 0.047-50F	A.....
C	2	87-012-369-080	C-CAP,S 0.047-50F	A.....
C	9	87-A10-520-090	CAP,E 3300-35 M SMG	A.....
C	10	87-A10-520-090	CAP,E 3300-35 M SMG	A.....
C	29	87-010-247-080	CAP, ELECT 100-50V	A.....
C	23	87-010-247-080	CAP, ELECT 100-50V	A.....
C	24	87-010-247-080	CAP, ELECT 100-50V	A.....
C	26	87-010-263-080	CAP, ELECT 100-10V	A.....
C	22	87-010-385-080	CAP, ELECT 220-25V	A.....
C	21	87-010-385-080	CAP, ELECT 220-25V	A.....
C	25	87-010-430-080	CAP, ELECT 100-63	A.....
C	27	87-012-140-080	CAP 470P	A.....
C	30	87-010-112-080	CAP, ELECT 100-16V	A.....
C	31	87-010-235-080	CAP,E 470-16 SME	A.....
C	34	87-010-405-080	CAP, ELECT 10-50V	A.....
C	33	87-010-405-080	CAP, ELECT 10-50V	A.....
C	61	87-010-260-080	CAP, ELECT 47-25V	A.....
C	62	87-010-403-080	CAP, ELECT 3.3-50V	A.....
C	92	87-010-248-080	CAP, ELECT 220-10V	A.....
C	93	87-010-380-080	CAP, ELECT 47-16V	A.....
C	91	87-010-401-080	CAP, ELECT 1-50V	A.....
CNA	1	8Z-NF8-669-010	CONN ASSY,9P VH	A.....
D	1	87-017-447-010	DIODE,GBU4DL	A.....
D	9	87-020-465-080	DIODE,1SS133 (110MA)	A.....
D	8	87-020-465-080	DIODE,1SS133 (110MA)	A.....
D	4	87-070-274-080	DIODE,1N4003 SEM	A.....
D	3	87-070-274-080	DIODE,1N4003 SEM	A.....
D	6	87-070-274-080	DIODE,1N4003 SEM	A.....
D	5	87-070-274-080	DIODE,1N4003 SEM	A.....
D	7	87-A40-383-080	ZENER,MTZJ30A	A.....
D	10	87-A40-345-080	ZENER,MTZJ10C	A.....
D	64	87-070-274-080	DIODE,1N4003 SEM	A.....
D	62	87-A40-269-080	C-DIODE,MC2836	A.....
D	61	87-A40-270-080	C-DIODE,MC2838	A.....
D	92	87-020-465-080	DIODE,1SS133 (110MA)	A.....
D	91	87-020-465-080	DIODE,1SS133 (110MA)	A.....
JW	16	87-008-372-080	FILTER, EMI BL OIRNI	A.....
Q	2	87-026-609-080	TR,KTA1266GR	A.....
Q	1	87-026-609-080	TR,KTA1266GR	A.....
Q	5	87-026-610-080	TR,KTC3198GR	A.....
Q	8	87-A30-075-080	C-TR,2SA1235F	A.....
Q	6	87-A30-076-080	C-TR,2SC3052F	A.....
Q	9	87-A30-196-080	TR,2SC4115SRS	A.....
Q	4	89-213-702-010	TR,2SB1370 (1.8W)	A.....
Q	61	87-A30-074-080	C-TR,RT1P 141C	A.....
Q	64	87-A30-075-080	C-TR,2SA1235F	A.....
Q	62	87-A30-075-080	C-TR,2SA1235F	A.....
Q	66	87-A30-075-080	C-TR,2SA1235F	A.....
Q	65	87-A30-076-080	C-TR,2SC3052F	A.....
Q	67	87-A30-076-080	C-TR,2SC3052F	A.....
Q	63	87-A30-076-080	C-TR,2SC3052F	A.....
Q	92	87-026-609-080	TR,KTA1266GR	A.....
Q	91	87-A30-076-080	C-TR,2SC3052F	A.....
WH	1	87-A90-510-010	HLDR,WIRE 2.5-9P	A.....
C	457	87-010-196-080	CHIP CAPACITOR,0.1-25	A.....
C	458	87-010-196-080	CHIP CAPACITOR,0.1-25	A.....
C	451	87-010-401-080	CAP, ELECT 1-50V	A.....
C	452	87-010-401-080	CAP, ELECT 1-50V	A.....
C	459	87-A11-004-080	CAP,M 0.022-50 J DE	A.....
C	460	87-A11-004-080	CAP,M 0.022-50 J DE	A.....
C	465	87-A11-004-080	CAP,M 0.022-50 J DE	A.....
C	466	87-A11-004-080	CAP,M 0.022-50 J DE	A.....
IC	451	87-A21-031-040	C-IC,BU4551BF	A.....

ELECTRICAL PARTS LIST-4/4 (MAIN ZZA-7)<LH>

C	601	87-010-180-080	C-CER 1500P	A.....
C	602	87-010-180-080	C-CER 1500P	A.....
C	605	87-010-318-080	C-CAP,S 47P-50 CH	A.....
C	606	87-010-318-080	C-CAP,S 47P-50 CH	A.....
C	619	87-010-185-080	C-CAP,S 3900P-50 B	A.....
C	613	87-016-081-080	C-CAP,S 0.1-16 RK	A.....
C	614	87-016-081-080	C-CAP,S 0.1-16 RK	A.....
C	617	87-A11-008-080	CAP,M 0.056-50 J DE	A.....
C	618	87-A11-008-080	CAP,M 0.056-50 J DE	A.....
C	616	87-A11-011-080	CAP,M 0.12-50 J DE	A.....
C	615	87-A11-011-080	CAP,M 0.12-50 J DE	A.....
C	620	87-010-185-080	C-CAP,S 3900P-50 B	A.....
C	627	87-010-196-080	CHIP CAPACITOR,0.1-25	A.....
C	622	87-010-401-080	CAP, ELECT 1-50V	A.....
C	621	87-010-401-080	CAP, ELECT 1-50V	A.....
C	625	87-010-405-080	CAP, ELECT 10-50V	A.....
C	629	87-010-405-080	CAP, ELECT 10-50V	A.....
C	626	87-010-405-080	CAP, ELECT 10-50V	A.....
C	624	87-A10-773-080	CAP,M 0.10-50 J	A.....
C	623	87-A10-773-080	CAP,M 0.10-50 J	A.....
C	637	87-010-183-080	C-CAP,S 2700P-50 B	A.....
C	636	87-010-194-080	CAP, CHIP 0.047	A.....
C	635	87-010-196-080	CHIP CAPACITOR,0.1-25	A.....
C	634	87-010-196-080	CHIP CAPACITOR,0.1-25	A.....
C	630	87-010-213-080	C-CAP,S 0.015-50 B	A.....
C	633	87-010-263-080	CAP, ELECT 100-10V	A.....
C	632	87-010-263-080	CAP, ELECT 100-10V	A.....
C	638	87-010-314-080	C-CAP,S 22P-50V	A.....
C	639	87-010-314-080	C-CAP,S 22P-50V	A.....
C	631	87-010-992-080	C-CAP,S 0.047-25 B	A.....
C	641	87-010-196-080	CHIP CAPACITOR,0.1-25	A.....
CN	604	87-099-570-010	CONN,13P TUC-P13P-B1	A.....
CN	602	87-A60-131-010	CONN,6P V FE	A.....
CN	601	88-NF9-657-010	CONN,30P H BLK TYK-B(X)	A.....
D	601	87-A40-002-080	ZENER,MTZJ5.1C	A.....
D	602	87-A40-438-080	ZENER,MTZJ4.7A	A.....
IC	601	87-A21-011-040	C-IC,M62445FP-600D	A.....
J	602	87-A60-398-010	JACK,PIN 2P R/W HSP-242V24	A.....
Q	601	87-026-609-080	TR,KTA1266GR	A.....
C	732	87-010-196-080	CHIP CAPACITOR,0.1-25	A.....
C	733	87-010-196-080	CHIP CAPACITOR,0.1-25	A.....
C	731	87-010-560-080	CAP,E 10-50 GAS	A.....
C	734	87-012-157-080	C-CAP,S 330P-50 CH	A.....
JR	703	87-012-368-080	C-CAP,S 0.1-50 F	A.....
Q	732	87-A30-075-080	C-TR,2SA1235F	A.....
Q	731	87-A30-076-080	C-TR,2SC3052F	A.....

MECHANICAL PARTS LIST-1/1 (MAIN ZZA-7)<LH>

NOTE: The characters in the suffix column indicate the part usage.

REF.NO	PARTS NO.	NO.	DESCRIPTION	SUFFIX
LHJSKM(559)		XX		A.....
		KANRI		
WH	1	87-067-703-010	TAPPING SCREW, BVT2+3-10	A.....
		87-A90-510-010	HLDR,WIRE 2.5-9P	A.....

ELECTRICAL PARTS LIST-1/2 (FRONT ZZA-6)<LH>

NOTE: The characters in the suffix column indicate the part usage.

REF.NO	PARTS NO.	DESCRIPTION	SUFFIX
LHJSKM(559)	XX.....	A.....
		KANRI	
		NO.	
C	503	87-010-112-040	CAP,E 100-16
C	502	87-010-186-080	CAP,CHIP 4700P
C	506	87-010-320-080	CHIP CAP 68P
C	504	87-010-405-040	CAP,E 10-50
C	507	87-010-544-040	CAP,E 0.1-50 SME
C	509	87-010-544-040	CAP,E 0.1-50 SME
C	505	87-010-546-040	CAP,E 0.33-50
J	501	87-A60-651-010	JACK,3.5MONO
Q	504	87-A30-075-080	C-TR,2SA1235F
Q	502	87-A30-076-080	C-TR,2SC3052F
Q	505	87-A30-076-080	C-TR,2SC3052F
Q	503	87-A30-076-080	C-TR,2SC3052F
Q	501	87-A30-087-080	C-FET,2SK2158
VR	501	87-NB7-602-010	VR,RTRY 10KAX1 1 V
		88-NF8-205-010	GUIDE,FL
*		8Z-NF8-201-010	GUIDE,OPE
*		8Z-NF8-202-010	GUIDE,FUN
C	209	87-010-322-080	C-CAP,S 100P-50 CH
C	202	87-010-322-080	C-CAP,S 100P-50 CH
C	208	87-010-322-080	C-CAP,S 100P-50 CH
C	203	87-010-322-080	C-CAP,S 100P-50 CH
C	206	87-010-322-080	C-CAP,S 100P-50 CH
C	207	87-010-322-080	C-CAP,S 100P-50 CH
C	205	87-010-322-080	C-CAP,S 100P-50 CH
C	204	87-010-322-080	C-CAP,S 100P-50 CH
C	201	87-012-156-080	C-CAP,S 220P-50 CH
C	210	87-010-322-080	C-CAP,S 100P-50 CH
C	211	87-010-322-080	C-CAP,S 100P-50 CH
C	254	87-010-194-080	CAP,CHIP 0.047
C	252	87-010-198-080	CAP,CHIP 0.022
C	256	87-015-699-040	CAP,E 10-50 7L
C	251	87-015-699-040	CAP,E 10-50 7L
C	259	87-015-699-040	CAP,E 10-50 7L
C	255	87-A10-797-040	CAP,E 47-35 M 5L SRM
C	262	87-010-196-080	CHIP CAPACITOR,0.1-25
C	260	87-010-198-080	CAP,CHIP 0.022
C	301	87-010-182-080	C-CAP,S 2200P-50 B
C	302	87-010-182-080	C-CAP,S 2200P-50 B
C	314	87-010-194-080	CAP,CHIP 0.047
C	311	87-010-194-080	CAP,CHIP 0.047
C	313	87-010-196-080	CHIP CAPACITOR,0.1-25
C	312	87-010-405-040	CAP,E 10-50
C	324	87-010-194-080	CAP,CHIP 0.047
C	321	87-010-196-080	CHIP CAPACITOR,0.1-25
C	325	87-010-263-040	CAP,E 100-10
C	322	87-015-694-040	E/CAP 0.47-50
C	323	87-016-459-040	CAP,E 470-10 SMG
C	332	87-010-178-080	CHIP CAP 1000P
C	337	87-010-196-080	CHIP CAPACITOR,0.1-25
C	336	87-010-196-080	CHIP CAPACITOR,0.1-25
C	331	87-010-196-080	CHIP CAPACITOR,0.1-25
C	334	87-010-312-080	C-CAP,S 15P-50 CH
C	335	87-012-140-080	CAP 470P
C	333	87-012-140-080	CAP 470P
C	338	87-012-155-080	C-CAP 180P-50CH
C	339	87-012-156-080	C-CAP,S 220P-50 CH
C	341	87-010-194-080	CAP,CHIP 0.047
C	340	87-010-197-080	CAP,CHIP 0.01 DM
C	351	87-010-382-040	CAP,E 22-25 SME
C	401	87-010-197-080	CAP,CHIP 0.01 DM
C	452	87-010-196-080	CHIP CAPACITOR,0.1-25
C	453	87-010-196-080	CHIP CAPACITOR,0.1-25
C	454	87-010-196-080	CHIP CAPACITOR,0.1-25
C	455	87-010-196-080	CHIP CAPACITOR,0.1-25
C	457	87-010-196-080	CHIP CAPACITOR,0.1-25
C	451	87-010-196-080	CHIP CAPACITOR,0.1-25
C	456	87-012-158-080	C-CAP,S 390P-50 CH
C	601	87-010-196-080	CHIP CAPACITOR,0.1-25
C	604	87-010-322-080	C-CAP,S 100P-50 CH
C	603	87-010-322-080	C-CAP,S 100P-50 CH
C	602	87-010-322-080	C-CAP,S 100P-50 CH
C	701	87-010-196-080	CHIP CAPACITOR,0.1-25
CON	102	87-099-015-010	CONN,13P 6216V
CON	101	88-NF9-658-010	CONN,30P BLK TYK-B(P)
CON	301	87-099-017-010	CONN,15P 6216 V
D	207	87-020-465-080	DIODE,1SS133 (110MA)
D	208	87-020-465-080	DIODE,1SS133 (110MA)
D	209	87-020-465-080	DIODE,1SS133 (110MA)
D	206	87-020-465-080	DIODE,1SS133 (110MA)
D	213	87-020-465-080	DIODE,1SS133 (110MA)
D	216	87-020-465-080	DIODE,1SS133 (110MA)
D	219	87-020-465-080	DIODE,1SS133 (110MA)
D	217	87-020-465-080	DIODE,1SS133 (110MA)
D	214	87-020-465-080	DIODE,1SS133 (110MA)
D	212	87-020-465-080	DIODE,1SS133 (110MA)
D	215	87-020-465-080	DIODE,1SS133 (110MA)
D	218	87-020-465-080	DIODE,1SS133 (110MA)

ELECTRICAL PARTS LIST-2/2 (FRONT ZZA-6)<LH>

D	226	87-020-465-080	DIODE,1SS133 (110MA)	A.....
D	222	87-020-465-080	DIODE,1SS133 (110MA)	A.....
D	225	87-020-465-080	DIODE,1SS133 (110MA)	A.....
D	221	87-020-465-080	DIODE,1SS133 (110MA)	A.....
D	224	87-020-465-080	DIODE,1SS133 (110MA)	A.....
D	223	87-020-465-080	DIODE,1SS133 (110MA)	A.....
D	220	87-020-465-080	DIODE,1SS133 (110MA)	A.....
D	227	87-020-465-080	DIODE,1SS133 (110MA)	A.....
D	252	87-020-465-080	DIODE,1SS133 (110MA)	A.....
D	253	87-020-465-080	DIODE,1SS133 (110MA)	A.....
D	251	87-020-465-080	DIODE,1SS133 (110MA)	A.....
D	311	87-A40-509-080	ZENER,MTZJ6.8C	A.....
D	323	87-020-465-080	DIODE,1SS133 (110MA)	A.....
D	324	87-020-465-080	DIODE,1SS133 (110MA)	A.....
D	321	87-020-465-080	DIODE,1SS133 (110MA)	A.....
D	334	87-020-465-080	DIODE,1SS133 (110MA)	A.....
D	336	87-020-465-080	DIODE,1SS133 (110MA)	A.....
D	333	87-020-465-080	DIODE,1SS133 (110MA)	A.....
D	331	87-020-465-080	DIODE,1SS133 (110MA)	A.....
D	332	87-020-465-080	DIODE,1SS133 (110MA)	A.....
D	335	87-020-465-080	DIODE,1SS133 (110MA)	A.....
D	351	87-020-465-080	DIODE,1SS133 (110MA)	A.....
D	352	87-020-465-080	DIODE,1SS133 (110MA)	A.....
D	452	87-017-932-080	ZENER,MTJ6.2B	A.....
D	451	87-020-465-080	DIODE,1SS133 (110MA)	A.....
EMI	201	87-008-372-080	FILTER, EMI BL OIRNI	A.....
EMI	202	87-A50-322-080	C-COIL,S BK2125 LM252	A.....
EMI	701	87-A50-322-080	C-COIL,S BK2125 LM252	A.....
FL	401	8Z-NF8-616-010	FL,SVA-11MM22	A.....
IC	201	8Z-NF8-675-010	C-IC,UPD780228GF-037-3BA	A.....
IC	251	87-A20-914-010	IC,SPS-442-1-F	A.....
IC	451	87-A21-023-040	C-IC,BA3835F	A.....
IC	601	87-A21-021-040	C-IC,BU2099FV	A.....
L	331	87-A50-434-010	COIL,CLK 4.19M(TOKO)	A.....
LED	311	87-A40-317-080	LED,SLR-342VCT31 RED	A.....
LED	601	87-A40-619-040	LED,SLR-56PT-T31-W GRN	A.....
LED	602	87-A40-619-040	LED,SLR-56PT-T31-W GRN	A.....
LED	603	87-A40-619-040	LED,SLR-56PT-T31-W GRN	A.....
LED	604	87-A40-619-040	LED,SLR-56PT-T31-W GRN	A.....
LED	607	87-A40-619-040	LED,SLR-56PT-T31-W GRN	A.....
LED	608	87-A40-619-040	LED,SLR-56PT-T31-W GRN	A.....
LED	606	87-A40-619-040	LED,SLR-56PT-T31-W GRN	A.....
LED	605	87-A40-619-040	LED,SLR-56PT-T31-W GRN	A.....
LED	609	87-A40-619-080	LED,SLR-56PT-TE7-W GRN	A.....
LED	614	87-A40-619-080	LED,SLR-56PT-TE7-W GRN	A.....
LED	612	87-A40-619-080	LED,SLR-56PT-TE7-W GRN	A.....
LED	613	87-A40-619-080	LED,SLR-56PT-TE7-W GRN	A.....
LED	610	87-A40-619-080	LED,SLR-56PT-TE7-W GRN	A.....
LED	611	87-A40-619-080	LED,SLR-56PT-TE7-W GRN	A.....
LED	632	87-A40-619-040	LED,SLR-56PT-T31-W GRN	A.....
LED	634	87-A40-619-040	LED,SLR-56PT-T31-W GRN	A.....
LED	633	87-A40-619-040	LED,SLR-56PT-T31-W GRN	A.....
LED	631	87-A40-619-040	LED,SLR-56PT-T31-W GRN	A.....
Q	207	87-A30-087-080	C-FET,2SK2158	A.....
Q	251	87-A30-074-080	C-TR,RT1P 141C	A.....
Q	302	87-A30-067-080	C-TR,2SA 1298Y	A.....
Q	301	87-A30-067-080	C-TR,2SA 1298Y	A.....
Q	303	87-A30-240-080	TR,CSA1585BC	A.....
Q	311	87-026-610-080	TR,KTC3198GR	A.....
Q	312	87-A30-087-080	C-FET,2SK2158	A.....
Q	322	87-A30-073-080	C-TR,RT1N 141C	A.....
Q	323	87-A30-087-080	C-FET,2SK2158	A.....
S	405	87-A91-024-080	SW,TACT KSH0611BT	A.....
S	403	87-A91-024-080	SW,TACT KSH0611BT	A.....
S	401	87-A91-024-080	SW,TACT KSH0611BT	A.....
S	404	87-A91-024-080	SW,TACT KSH0611BT	A.....
S	402	87-A91-024-080	SW,TACT KSH0611BT	A.....
S	408	87-A91-024-080	SW,TACT KSH0611BT	A.....
S	407	87-A91-024-080	SW,TACT KSH0611BT	A.....
S	409	87-A91-024-080	SW,TACT KSH0611BT	A.....
S	406	87-A91-024-080	SW,TACT KSH0611BT	A.....
S	412	87-A91-024-080	SW,TACT KSH0611BT	A.....
S	418	87-A91-024-080	SW,TACT KSH0611BT	A.....
S	419	87-A91-024-080	SW,TACT KSH0611BT	A.....
S	410	87-A91-024-080	SW,TACT KSH0611BT	A.....
S	414	87-A91-024-080	SW,TACT KSH0611BT	A.....
S	415	87-A91-024-080	SW,TACT KSH0611BT	A.....
S	411	87-A91-024-080	SW,TACT KSH0611BT	A.....
S	417	87-A91-024-080	SW,TACT KSH0611BT	A.....
S	413	87-A91-024-080	SW,TACT KSH0611BT	A.....
S	416	87-A91-024-080	SW,TACT KSH0611BT	A.....
S	428	87-A91-024-080	SW,TACT KSH0611BT	A.....
S	424	87-A91-024-080	SW,TACT KSH0611BT	A.....
S	420	87-A91-024-080	SW,TACT KSH0611BT	A.....
S	425	87-A91-024-080	SW,TACT KSH0611BT	A.....
S	421	87-A91-024-080	SW,TACT KSH0611BT	A.....
S	426	87-A91-024-080	SW,TACT KSH0611BT	A.....
S	423	87-A91-024-080	SW,TACT KSH0611BT	A.....
S	422	87-A91-024-080	SW,TACT KSH0611BT	A.....
S	427	87-A91-024-080	SW,TACT KSH0611BT	A.....
S	434	87-A91-024-080	SW,TACT KSH0611BT	A.....
SW	252	87-A90-535-010	SW,RTRY EC16B24304	A.....
SW	253	87-A90-950-010	SW,RTRY EC12E12504 ENCORDER	A.....

MECHANICAL PARTS LIST-1/1<LH>

NOTE: The characters in the suffix column indicate the part usage.

LHJSKM(559)XX.....A.....
	KANRI	
REF.NO	PARTS NO.	NO. DESCRIPTION SUFFIX
	88-NF8-205-010	GUIDE,FL A.....

ELECTRICAL PARTS LIST-1/1 (PT ZZA-8)<LH>

NOTE: The characters in the suffix column indicate the part usage.

REF.NO	PARTS NO.	NO.	DESCRIPTION	SUFFIX
LHJSKM(559)		XX		A
		KANRI		
C	1	87-010-387-080	CAP,E 470-25 SME	A
C	8	87-A10-520-090	CAP,E 3300-35 M SMG	A
C	9	87-A10-520-090	CAP,E 3300-35 M SMG	A
C	3	87-A11-148-080	CAP,TC U 0.1-50 Z F	A
C	4	87-A11-148-080	CAP,TC U 0.1-50 Z F	A
C	5	87-A11-148-080	CAP,TC U 0.1-50 Z F	A
C	6	87-A11-148-080	CAP,TC U 0.1-50 Z F	A
C	31	87-010-403-080	CAP, ELECT 3.3-50V	A
CN	1	87-A60-851-010	CONN,9P V VH	A
D	6	87-017-447-010	DIODE,GBU4DL	A
D	4	87-020-465-080	DIODE,1SS133 (110MA)	A
D	3	87-020-465-080	DIODE,1SS133 (110MA)	A
D	2	87-020-465-080	DIODE,1SS133 (110MA)	A
D	5	87-020-465-080	DIODE,1SS133 (110MA)	A
D	1	87-020-465-080	DIODE,1SS133 (110MA)	A
D	31	87-020-465-080	DIODE,1SS133 (110MA)	A
D	32	87-020-465-080	DIODE,1SS133 (110MA)	A
PR	1	87-026-682-080	PROTECTOR,10A 60V491	A
PR	2	87-026-682-080	PROTECTOR,10A 60V491	A
PT	2	8Z-NF8-663-010	PT,SUB ZNF-8(H)	A
Q	31	87-026-245-080	TR,DTC114ES	A
Q	32	87-A30-198-080	TR,KTC3199GR	A
RY	1	87-A91-281-010	RELAY,AC DC12V OSA-SS-212DM5	A
S	1	87-A90-165-010	SW,SL 1-2-3 SWS2301	A
T	2	87-A60-317-010	TERMINAL, 1P MSC	A
T	1	87-A60-317-010	TERMINAL, 1P MSC	A

ELECTRICAL PARTS LIST-1/3 (TUNER ZZA-1)<LH>

NOTE: The characters in the suffix column indicate the part usage.

REF.NO	PARTS NO.	XX KANRI NO.	DESCRIPTION	C SUFFIX
C	701	87-010-381-080	0E CAP, ELECT 330-16V	ABC.....
C	702	87-010-404-080	0E CAP, ELECT 4.7-50V	ABC.....
C	704	87-012-286-080	0E CAP, U 0.01-25	ABC.....
C	703	87-012-286-080	0E CAP, U 0.01-25	ABC.....
C	711	87-010-260-080	0E CAP, ELECT 47-25V	ABC.....
C	711	87-010-553-080	0E CAP,E 47-16
C	712	87-010-831-080	0E C-CAP,U,0.1-16F	ABC.....
C	718	87-012-179-080	0E C-CAP,U 20P-50 CH	.BC.....
C	714	87-012-286-080	0E CAP, U 0.01-25	ABC.....
C	717	87-012-286-080	0E CAP, U 0.01-25	ABC.....
C	719	87-012-286-080	0E CAP, U 0.01-25	ABC.....
C	727	87-010-196-080	0E CHIP CAPACITOR,0.1-25	ABC.....
C	728	87-010-248-080	0E CAP, ELECT 220-10V	ABC.....
C	721	87-012-176-080	0E CAP 15P	ABC.....
C	722	87-012-176-080	0E CAP 15P	ABC.....
C	720	87-012-195-080	0E C-CAP,U 100P-50CH	ABC.....
C	729	87-012-274-080	0E CHIP CAP,U 1000P-50B	ABC.....
C	725	87-018-131-080	0E CAP, CER 1000P-50V
CN	701	87-A60-650-010	1A CONN,16P H GRY TUC-P16X-C1
CN	701	87-A60-700-010	0E CONN,13P H GRY TUC-P13X-C1	ABC.....
D	721	87-017-149-080	0E ZENER,HZS6A2L	.BC.....
D	722	87-020-465-080	0E DIODE,1SS133 (110MA)
D	721	87-A40-234-080	0E ZENER,MTZJ5.6A	A.....
IC	721	87-070-127-110	1C IC,LC72131 D	ABC.....
Q	713	87-A30-072-080	0E C-TR,RT1P 144C
Q	712	87-A30-072-080	0E C-TR,RT1P 144C
Q	711	87-A30-196-080	0E TR,2SC4115SRS	A.....
Q	711	87-A30-234-080	0E TR,CSC4115BC	.BC.....
X	721	87-A70-061-010	1A VIB,XTAL 4.500MHZ CSA-309	ABC.....
C	872	87-010-400-080	0E CAP, ELECT 0.47-50V	AB.....
C	873	87-010-404-080	0E CAP, ELECT 4.7-50V	AB.....
C	877	87-012-278-080	0E C-CAP,U 2200P-50 B	AB.....
C	878	87-012-278-080	0E C-CAP,U 2200P-50 B	AB.....
C	889	87-010-248-080	0E CAP, ELECT 220-10V	AB.....
C	884	87-010-260-080	0E CAP, ELECT 47-25V	AB.....
C	883	87-010-404-080	0E CAP, ELECT 4.7-50V	AB.....
C	885	87-010-545-080	0E CAP, ELECT 0.22-50V	A.....
C	886	87-010-545-080	0E CAP, ELECT 0.22-50V	A.....
C	888	87-010-787-080	0E CAP, U 0.022-25	AB.....
C	881	87-012-141-080	0E CHIP-CAPACITOR,0.22-16F	AB.....
C	882	87-012-172-080	0E CAPACITOR CHIP U 10P CH	AB.....
C	887	87-012-286-080	0E CAP, U 0.01-25	AB.....
C	885	87-016-460-080	0E C-CAP,S 0.22-16 B	.B.....
C	886	87-016-460-080	0E C-CAP,S 0.22-16 B	.B.....
IC	871	87-070-060-040	1F IC,TA2040AF	AB.....
Q	873	87-026-226-080	0E CHIP-TR,DTA143EK	AB.....
X	891	87-030-394-010	1B VIB,CER CSA3.6MGF228	AB.....
C	705	87-010-213-080	0E C-CAP,S 0.015-50 B
C	706	87-010-213-080	0E C-CAP,S 0.015-50 B
C	705	87-A10-592-080	0E C-CAP,S 0.015-50 J B	.BC.....
C	706	87-A10-592-080	0E C-CAP,S 0.015-50 J B	.BC.....
C	733	87-010-180-080	0E C-CER 1500P
C	738	87-010-180-080	0E C-CER 1500P
C	737	87-010-180-080	0E C-CER 1500P
C	734	87-010-180-080	0E C-CER 1500P
C	735	87-010-213-080	0E C-CAP,S 0.015-50 B
C	736	87-010-213-080	0E C-CAP,S 0.015-50 B
C	736	87-010-987-080	0E C-CAP,S 1500P-50 CH	.BC.....
C	733	87-010-987-080	0E C-CAP,S 1500P-50 CH	.BC.....
C	735	87-010-987-080	0E C-CAP,S 1500P-50 CH	.BC.....
C	734	87-010-987-080	0E C-CAP,S 1500P-50 CH	.BC.....
C	734	87-012-280-080	0E CAP, U 3300P-50
C	733	87-012-280-080	0E CAP, U 3300P-50
C	738	87-A10-592-080	0E C-CAP,S 0.015-50 J B	.BC.....
C	737	87-A10-592-080	0E C-CAP,S 0.015-50 J B	.BC.....
C	752	87-010-220-080	0E C-CAP,S 0.018-25 B	.B.....
C	751	87-010-220-080	0E C-CAP,S 0.018-25 B	.B.....
C	758	87-012-167-080	0E C-CAP,U 5P-50 CH	ABC.....
C	757	87-012-188-080	0E C-CAP,U 47P-50 CH	ABC.....
C	753	87-012-195-080	0E C-CAP,U 100P-50CH
C	752	87-012-282-080	0E CAP, U 4700P-50
C	756	87-012-286-080	0E CAP, U 0.01-25	ABC.....
C	751	87-012-365-080	0E C-CAP,S 0.027-25VBK	.C.....
C	752	87-012-365-080	0E C-CAP,S 0.027-25VBK	.C.....
C	766	87-010-197-080	0E CAP, CHIP 0.01 DM
C	769	87-010-260-080	0E CAP, ELECT 47-25V	ABC.....
C	768	87-012-286-080	0E CAP, U 0.01-25	ABC.....
C	765	87-012-286-080	0E CAP, U 0.01-25	ABC.....
C	764	87-012-337-080	0E C-CAP,U 56P-50 CH	ABC.....
C	774	87-010-263-080	0E CAP, ELECT 100-10V	ABC.....
C	771	87-010-383-080	0E CAP, ELECT 33-25V	ABC.....
C	777	87-010-400-080	0E CAP, ELECT 0.47-50V	ABC.....
C	775	87-010-404-080	0E CAP, ELECT 4.7-50V	ABC.....
C	777	87-010-493-040	0E CAP,E 0.47-50 GAS
C	777	87-010-493-080	0E CAP,E 0.47-50 GAS
C	770	87-010-829-080	0E CAP, U 0.047-16	ABC.....

ELECTRICAL PARTS LIST-2/3 (TUNER ZZA-1)<LH>

C	780	87-010-196-080	0E	CHIP CAPACITOR,0.1-25	ABC.....
C	786	87-010-401-080	0E	CAP, ELECT 1-50V	ABC.....
C	785	87-010-401-080	0E	CAP, ELECT 1-50V	ABC.....
C	786	87-010-405-080	0E	CAP, ELECT 10-50V	ABC.....
C	785	87-010-405-080	0E	CAP, ELECT 10-50V	ABC.....
C	785	87-010-494-080	0E	CAP ELECT GAS 1/50
C	786	87-010-494-080	0E	CAP ELECT GAS 1/50
C	787	87-012-275-080	0E	C-CAP,U 1200P-50 B	ABC.....
C	788	87-012-275-080	0E	C-CAP,U 1200P-50 B	ABC.....
C	784	87-012-286-080	0E	CAP, U 0.01-25	ABC.....
C	796	87-010-403-080	0E	CAP, ELECT 3.3-50V	ABC.....
C	794	87-010-406-080	0E	CAP, ELECT 22-50	ABC.....
C	795	87-010-596-080	0E	CAP, S 0.047-16	..C.....
C	793	87-012-273-080	0E	C-CAP,U 820P-50 B	ABC.....
C	797	87-012-276-080	0E	CAP, CHIP SS 1500 PBK	A.....
C	798	87-012-276-080	0E	CAP, CHIP SS 1500 PBK	A.....
D	771	87-020-465-080	0E	DIODE,1SS133 (110MA)	ABC.....
D	773	87-A40-291-080	0E	DIODE,1N4148 (CPT)
IC	771	87-A20-913-010	1D	IC,LA1837NL	ABC.....
L	771	87-A50-266-010	1A	COIL,FM DET-2N(TOK)	ABC.....
L	772	87-A90-052-010	1C	FLTR,CFMT-450A(TOK)
L	772	87-A90-053-010	1C	FLTR,PCFMT-060(TOK)	AB.....
L	772	87-A90-733-010	1A	FLTR,PCFAZH-450 (TOK)
L	772	87-A91-110-010	FLTR,PCFJZH-450 (TOK)	..C.....
L	781	87-005-847-080	0E	COIL,2.2UH(CECS)
L	792	87-A50-027-010	1A	COIL,1 POLE MPX(TOK)
L	791	87-A50-027-010	1A	COIL,1 POLE MPX(TOK)
X	771	87-030-354-010	1A	VIB,CF BFU 450C
C	859	87-012-286-080	0E	CAP, U 0.01-25
C	865	87-010-196-080	0E	CHIP CAPACITOR,0.1-25
C	866	87-010-405-080	0E	CAP, ELECT 10-50V
C	864	87-010-405-080	0E	CAP, ELECT 10-50V
C	869	87-012-180-080	0E	C-CAP,U 22P-50 CH
C	868	87-012-184-080	0E	C-CAP,U 33P-50 CH
C	862	87-012-199-080	0E	CAP 220P
C	861	87-012-199-080	0E	CAP 220P
C	863	87-012-270-080	0E	CAP, U 470P-50
C	867	87-012-286-080	0E	CAP, U 0.01-25
IC	851	87-A20-440-040	1H	C-IC,BU1920FS
L	851	87-005-847-080	0E	COIL,2.2UH(CECS)
Q	853	87-A30-076-080	0E	C-TR,2SC3052F
X	851	87-A70-091-010	1B	VIB,XTAL 4.332MHZ CSA-309
C	820	87-010-260-080	0E	CAP, ELECT 47-25V	ABC.....
C	942	87-012-172-080	0E	CAPACITOR CHIP U 10P CH
C	941	87-012-180-080	0E	C-CAP,U 22P-50 CH
C	947	87-012-286-080	0E	CAP, U 0.01-25	ABC.....
C	940	87-012-286-080	0E	CAP, U 0.01-25	ABC.....
C	944	87-014-049-080	0E	CAP,PP 470P-100 J
C	944	87-014-051-080	0E	CAPACITOR (PP), 560P
C	949	87-A10-039-080	0E	C-CAP,U 470P-50 J CH
C	958	87-010-197-080	0E	CAP, CHIP 0.01 DM
C	956	87-010-263-080	0E	CAP, ELECT 100-10V
C	959	87-010-831-080	0E	C-CAP,U,0.1-16F
C	952	87-012-286-080	0E	CAP, U 0.01-25	ABC.....
C	954	87-012-358-080	0E	C-CAP,S 0.47-10 F Z
C	950	87-014-073-080	0E	CAP,PP 4700P-100 J
C	963	87-010-196-080	0E	CHIP CAPACITOR,0.1-25	ABC.....
C	962	87-010-401-080	0E	CAP, ELECT 1-50V
C	964	87-012-170-080	0E	C-CAP,U 8P-50 CH	A.....
C	961	87-012-174-080	0E	CAP CHIP CERA SS 12P CHJ	.BC.....
C	960	87-012-350-080	0E	C-CAP,1-25 F
CF	802	82-785-747-010	1A	CF MS2 GHY R
CF	802	87-008-261-010	1A	FILTER, SFE10.7MA5-A	ABC.....
CF	801	87-008-261-010	1A	FILTER, SFE10.7MA5-A	ABC.....
CF	801	87-008-423-010	1A	CERAMIC FILTER, SFE10.7
D	944	87-020-465-080	0E	DIODE,1SS133 (110MA)
D	942	87-A40-270-080	0E	C-DIODE,MC2838
FFE	801	A8-6ZA-190-030	0E	6ZA-1 FEUNM
FFE	801	A8-6ZA-191-130	0E	6ZA-1 FEENM
FFE	801	A8-6ZA-192-030	2Y	6ZA-1 FEJNM	.B.....
FFE	801	A8-6ZA-199-170	0E	6ZA-1 FEENC
FFE	801	A8-6ZA-19A-070	0E	6ZA-1 FEJNC
FFE	801	A8-6ZA-19D-070	1H	6ZA-1 YFEJNC	A.....
FFE	801	A8-8ZA-190-030	0E	8ZA-1 FEUNM	..C.....
FFE	801	A8-8ZA-192-070	0E	8ZA-1 FEUNC
FFE	801	A8-8ZA-193-070	1E	8ZA-1 YFEUNC
J	801	87-033-241-010	1B	TERMINAL,ANT AJ-2039
J	801	87-A60-702-010	1B	TERMINAL,ANT 4P CJ-9036	ABC.....
J	801	87-A60-703-010	1A	TERMINAL,ANT 3P CJ-9037
J	940	81-754-629-010	0E	CONNECTOR, 2P
L	832	87-005-847-080	0E	COIL,2.2UH(CECS)
L	943	87-005-372-080	0E	COIL S 1MHM
L	942	87-A50-019-010	0E	COIL,OSC LW(COI)
L	941	87-A50-020-010	0E	COIL,ANT LW(COI)
L	941	87-A50-022-010	0E	COIL,ANT SW(COI)
L	944	87-A50-159-010	0E	COIL,10MH K C2B
L	942	87-A50-173-010	0E	COIL,OSC SW-N(COI)
L	943	87-A50-432-010	0E	COIL,1MH K CW
L	981	87-A50-430-010	0E	COIL,ANT MW(3BSW)
L	982	87-A50-431-010	0E	COIL,OSC MW(3BSW)
L	981	87-NF4-650-010	1D	COIL,AM PACK 4N(TOK)	A.....
L	981	87-NF4-651-010	1C	COIL,AM PACK2N(TOM)

ELECTRICAL PARTS LIST-3/3 (TUNER ZZA-1)<LH>

L	981	88-NF8-625-110	1D	COIL,AM PACK3N(TOK)
L	981	8Z-ZA1-664-010		COIL,AM PACK 4(TOK)	.BC.....
L	981	8Z-ZA1-665-010		COIL,AM PACK 2(TOK)
Q	712	87-A30-072-080	0E	C-TR,RT1P 144C	ABC.....
Q	805	89-327-143-080	0E	TR,2SC2714 (0.1W)	ABC.....
Q	943	87-A30-075-080	0E	C-TR,2SA1235F
Q	942	87-A30-075-080	0E	C-TR,2SA1235F
Q	949	87-A30-076-080	0E	C-TR,2SC3052F
Q	945	87-A30-076-080	0E	C-TR,2SC3052F
Q	944	87-A30-076-080	0E	C-TR,2SC3052F
Q	948	87-A30-086-070	0E	C-TR,CSD1306E
Q	947	89-503-602-080	1A	C-FET,2SK360E
Q	947	89-505-434-540	0E	C-FET,2SK543(4/5)
Q	951	87-A30-074-080	0E	C-TR,RT1P 141C
SCR	981	87-A40-618-080		VARI-CAP,SVC 348(S/T)
TC	942	87-011-164-010	0E	CAPACITOR,TRIMMER 30P
TC	941	87-011-173-010	1A	CERAMIC TRIMMER 20P
TC	941	87-011-220-080	1A	TRIMMER CAP 20P VTC
TC	943	87-011-221-080	1A	CAP, TRIMMER 30P

ELECTRICAL PARTS LIST- 1/6 <HA>

NOTE: The characters in the suffix column indicate the part usage.

REF.NO	PARTS NO.	NO.	DESCRIPTION	SUFFIX
	HASC2M(555)	XX		N
		++		
C	503	87-010-112-040	CAP,E 100-16	..CD..G...LMN.....
C	508	87-010-178-080	CHIP CAP 1000PG...LMN.....
C	502	87-010-186-080	CAP,CHIP 4700P	..CD..G...LMN.....
C	506	87-010-320-080	CHIP CAP 68P	..CD..G...LMN.....
C	504	87-010-405-040	CAP,E 10-50G...LMN.....
C	504	87-010-405-080	CAP, ELECT 10-50V	..CD.....
C	507	87-010-544-040	CAP,E 0.1-50 SME	..CD..G...LMN.....
C	509	87-010-544-040	CAP,E 0.1-50 SME	..CD..G...LMN.....
C	505	87-010-546-040	CAP,E 0.33-50	..CD..G...LMN.....
J	501	87-A60-651-010	JACK,3.5MONO	..CD..G...LMN.....
Q	504	87-A30-075-080	C-TR,2SA1235F	..CD..G...LMN.....
Q	502	87-A30-076-080	C-TR,2SC3052F	..CD..G...LMN.....
Q	501	87-A30-087-080	C-FET,2SK2158	..CD..G...LMN.....
VR	501	87-NB7-602-010	VR,RTRY 10KAX1 1 V	..CD..G...LMN.....
C	1	87-010-387-080	CAP,E 470-25 SME	AB...G.IJKLMN.....
C	1	87-010-388-080	CAP ELECT 1000-25V SME	..CDEF.....
C	4	87-010-403-080	CAP, ELECT 3.3-50V
C	2	87-018-209-010	CAP 0.1	..CD...IJK.....
C	9	87-A10-520-090	CAP,E 3300-35 M SMG	..CD..G...LMN.....
C	8	87-A10-520-090	CAP,E 3300-35 M SMG	..CD..G...LMN.....
C	3	87-A11-148-080	CAP,TC U 0.1-50 Z FG...LMN.....
C	5	87-A11-148-080	CAP,TC U 0.1-50 Z FG...LMN.....
C	4	87-A11-148-080	CAP,TC U 0.1-50 Z FG...LMN.....
C	6	87-A11-148-080	CAP,TC U 0.1-50 Z FG...LMN.....
C	31	87-010-403-040	CAP,E 3.3-50 SMEG.IJKLMN.....
CN	1	87-A60-850-010	CONN,7P V VH	AB..EF..IJK.....
CN	1	87-A60-851-010	CONN,9P V VH	..CD..G...LMN.....
D	6	87-017-447-010	DIODE,GBU4DL	..CD.....
D	6	87-A40-548-090	DIODE,D3SBA20G...LMN.....
D	32	87-020-465-080	DIODE,1SS133 (110MA)	ABCDEFGHIJ.KLMN.....
D	31	87-020-465-080	DIODE,1SS133 (110MA)	ABCDEFGHIJ.KLMN.....
PR	1	87-026-682-080	PROTECTOR,10A 60V491G...LMN.....
PR	2	87-026-682-080	PROTECTOR,10A 60V491G...LMN.....
PR	1	87-A91-276-080	FUSE,125MA 125V F 251
PT	2	8Z-NF8-660-010	PT,SUB ZNF-8(D)
PT	2	8Z-NF8-661-010	PT,SUB ZNF-8(U)	AB.....
PT	2	8Z-NF8-662-010	PT,SUB ZNF-8(E)	..EF..IJK.....
PT	2	8Z-NF8-663-010	PT,SUB ZNF-8(H)	..CD..G...LMN.....
Q	31	87-026-245-080	TR,DTC114ESG.IJKLMN.....
Q	32	87-A30-198-080	TR,KTC3199GRG.IJKLMN.....
RY	1	87-045-389-010	RELAY,OSA-SS-212DM5
RY	1	87-A90-976-010	RELAY,AC12V SDT-SS-112LMR	AB..EF..IJK.....
RY	1	87-A91-281-010	RELAY,AC DC12V OSA-SS-212DM5	..CD..G...LMN.....
S	1	87-A90-165-010	SW,SL 1-2-3 SWS2301	..CD..G...LMN.....
T	2	87-A60-317-010	TERMINAL, 1P MSC	ABCDEFGHIJ.KLMN.....
T	1	87-A60-317-010	TERMINAL, 1P MSC	ABCDEFGHIJ.KLMN.....
*		88-NF8-205-010	GUIDE,FL	ABCDEFGHIJ...LMN.....
*		8Z-NF8-201-010	GUIDE,OPE	ABCDEFGHIJ.....
*		8Z-NF8-201-110	GUIDE,OPELMN.....
*		8Z-NF8-202-010	GUIDE,FUN	ABCDEFGHIJ...LMN.....
C	201	87-012-156-080	C-CAP,S 220P-50 CH	ABCDEFGHIJ...LMN.....
C	254	87-010-194-080	CAP, CHIP 0.047	ABCDEFGHIJ...LMN.....
C	252	87-010-198-080	CAP, CHIP 0.022	ABCDEFGHIJ...LMN.....
C	251	87-015-699-040	CAP,E 10-50 7L	ABCDEFGHIJ...LMN.....
C	256	87-015-699-040	CAP,E 10-50 7L	ABCDEFGHIJ...LMN.....
C	259	87-015-699-040	CAP,E 10-50 7L	ABCDEFGHIJ...LMN.....
C	255	87-A10-586-040	CAP,E 47-35 7L SR	ABCDEF.....
C	255	87-A10-797-040	CAP,E 47-35 M 5L SRMG...LMN.....
C	260	87-010-198-080	CAP, CHIP 0.022	ABCDEFGHIJ...LMN.....
C	302	87-010-182-080	C-CAP,S 2200P-50 B	ABCDEFGHIJ...LMN.....
C	301	87-010-182-080	C-CAP,S 2200P-50 B	ABCDEFGHIJ...LMN.....
C	311	87-010-194-080	CAP, CHIP 0.047	ABCDEFGHIJ...LMN.....
C	314	87-010-194-080	CAP, CHIP 0.047	ABCDEFGHIJ...LMN.....
C	312	87-010-405-040	CAP,E 10-50	ABCDEFGHIJ...LMN.....
C	324	87-010-194-080	CAP, CHIP 0.047	ABCDEFGHIJ...LMN.....
C	323	87-010-248-040	CAP,E 220-10 SME	ABCDEF.....
C	325	87-010-263-040	CAP,E 100-10	ABCDEFGHIJ...LMN.....
C	322	87-015-694-040	E/CAP 0.47-50	ABCDEFGHIJ...LMN.....
C	323	87-016-459-040	CAP,E 470-10 SMGG...LMN.....
C	332	87-010-178-080	CHIP CAP 1000P	ABCDEFGHIJ...LMN.....
C	334	87-010-312-080	C-CAP,S 15P-50 CH	ABCDEFGHIJ...LMN.....
C	333	87-012-140-080	CAP 470P	ABCDEFGHIJ...LMN.....
C	335	87-012-140-080	CAP 470P	ABCDEFGHIJ...LMN.....
C	338	87-012-155-080	C-CAP 180P-50CH	ABCDEFGHIJ...LMN.....
C	339	87-012-156-080	C-CAP,S 220P-50 CH	ABCDEFGHIJ...LMN.....
C	341	87-010-194-080	CAP, CHIP 0.047	ABCDEFGHIJ...LMN.....
C	340	87-010-197-080	CAP, CHIP 0.01 DM	ABCDEFGHIJ...LMN.....
C	351	87-010-382-040	CAP,E 22-25 SME	ABCDEFGHIJ...LMN.....
C	401	87-010-197-080	CAP, CHIP 0.01 DM	ABCDEFGHIJ...LMN.....
C	455	87-010-196-080	CHIP CAPACITOR,0.1-25	ABCDEFGHIJ...LMN.....
C	457	87-010-196-080	CHIP CAPACITOR,0.1-25	ABCDEFGHIJ...LMN.....
C	456	87-012-158-080	C-CAP,S 390P-50 CH	ABCDEFGHIJ...LMN.....
C	601	87-010-196-080	CHIP CAPACITOR,0.1-25	ABCDEFGHIJ...LMN.....
C	604	87-010-322-080	C-CAP,S 100P-50 CH	ABCDEFGHIJ...LMN.....
C	603	87-010-322-080	C-CAP,S 100P-50 CH	ABCDEFGHIJ...LMN.....
C	602	87-010-322-080	C-CAP,S 100P-50 CH	ABCDEFGHIJ...LMN.....

ELECTRICAL PARTS LIST- 2/6 <HA>

C	701	87-010-196-080	CHIP CAPACITOR,0.1-25	ABCDEFGG...LMN.....
CON	102	87-099-015-010	CONN,13P 6216V	ABCDEFGG...LMN.....
CON	101	87-099-720-010	CONN,30P TYK-B(P)	ABCDEF.....
CON	101	88-NF9-658-010	CONN,30P BLK TYK-B(P)G...LMN.....
CON	301	87-099-013-010	CONN,11P 6216 V	AB..EF.....
CON	301	87-099-017-010	CONN, 15P 6216 V	..CD..G...LMN.....
D	204	87-020-465-080	DIODE,1SS133 (110MA)	ABCDEFGG...LMN.....
D	311	87-A40-509-080	ZENER,MTZJ6.8C	ABCDEFGG...LMN.....
D	452	87-017-932-080	ZENER,MTJ6.2B	ABCDEFGG...LMN.....
EMI	201	87-008-372-080	FILTER, EMI BL OIRNI	ABCDEFGG...LMN.....
EMI	202	87-A50-322-080	C-COIL,S BK2125 LM252	ABCDEFGG...LMN.....
EMI	701	87-A50-322-080	C-COIL,S BK2125 LM252	ABCDEFGG...LMN.....
FL	401	8Z-NF8-616-010	FL,SVA-11MM22	ABCDEFGG...LMN.....
FL	401	8Z-NH8-603-010	FL,BJ674GNK
IC	201	8Z-NF8-602-010	C-IC,UPD780228GF-031-3BA	ABCDEF.....
IC	201	8Z-NF8-675-010	C-IC,UPD780228GF-037-3BAG...LMN.....
IC	251	87-A20-914-010	IC,SPS-442-1-F	..CDEF.....
IC	251	87-A20-951-010	IC,TSOP1838RF1G...LMN.....
IC	251	87-NF8-614-010	IC,SPS-442-1-W	AB.....
IC	451	87-A21-023-040	C-IC,BA3835F	ABCDEFGG...LMN.....
IC	601	87-A21-021-040	C-IC,BU2099FV	ABCDEFGG...LMN.....
L	331	87-A50-434-010	COIL,CLK 4.19M(TOKO)	ABCDEFGG...LMN.....
LED	311	87-A40-317-080	LED,SLR-342VCT31 RED	ABCDEFGG...LMN.....
LED	611	87-A40-619-080	LED,SLR-56PT-TE7-W GRN	ABCDEFGG...LMN.....
LED	634	87-A40-619-040	LED,SLR-56PT-T31-W GRN	ABCDEFGG...LMN.....
LED	633	87-A40-619-040	LED,SLR-56PT-T31-W GRN	ABCDEFGG...LMN.....
Q	207	87-A30-087-080	C-FET,2SK2158	ABCDEFGG...LMN.....
Q	251	87-A30-074-080	C-TR,RT1P 141C	ABCDEFGG...LMN.....
Q	302	87-A30-067-080	C-TR,2SA 1298Y	..DEFG...LMN.....
Q	301	87-A30-067-080	C-TR,2SA 1298Y	..DEFG...LMN.....
Q	301	87-A30-159-080	C-TR,KTA1298Y	ABC.....
Q	302	87-A30-159-080	C-TR,KTA1298Y	ABC.....
Q	303	87-A30-200-080	TR,2SA1585SRLMN.....
Q	303	87-A30-240-080	TR,CSA1585BC	ABCDEFGG...LMN.....
Q	311	87-026-610-080	TR,KTC3198GR	ABCDEFGG...LMN.....
Q	312	87-A30-087-080	C-FET,2SK2158	ABCDEFGG...LMN.....
Q	322	87-A30-073-080	C-TR,RT1N 141C	ABCDEFGG...LMN.....
Q	323	87-A30-087-080	C-FET,2SK2158	ABCDEFGG...LMN.....
S	434	87-A90-164-080	SW,TACT SKQAB(N)	AB.....
S	431	87-A91-024-080	SW,TACT KSH0611BT	..CDEF.....LMN.....
S	432	87-A91-024-080	SW,TACT KSH0611BT	..CDEF.....LMN.....
S	430	87-A91-024-080	SW,TACT KSH0611BT	..CDEF.....LMN.....
SW	252	87-A90-535-010	SW,RTRY EC16B24304	ABCDEFGG...LMN.....
SW	253	87-A90-950-010	SW,RTRY EC12E12504 ENCORDER	ABCDEFGG...LMN.....
C	309	87-010-196-080	CHIP CAPACITOR,0.1-25	ABCDEFGG.IJKLMN.....
C	302	87-010-318-080	C-CAP,S 47P-50 CH	ABCDEFGG.IJKLMN.....
C	301	87-010-318-080	C-CAP,S 47P-50 CH	ABCDEFGG.IJKLMN.....
C	305	87-012-145-080	CAP,CHIP S 270P CH	ABCDEFGG.IJKLMN.....
C	306	87-012-145-080	CAP,CHIP S 270P CH	ABCDEFGG.IJKLMN.....
C	303	87-012-157-080	C-CAP,S 330P-50 CH	ABCDEFGG.IJKLMN.....
C	304	87-012-157-080	C-CAP,S 330P-50 CH	ABCDEFGG.IJKLMN.....
C	314	87-010-178-080	CHIP CAP 1000P	..CD..G...LMN.....
C	315	87-010-178-080	CHIP CAP 1000P	..CD..G...LMN.....
C	313	87-010-178-080	CHIP CAP 1000P	..CD..G...LMN.....
C	316	87-010-178-080	CHIP CAP 1000P	..CD..G...LMN.....
C	313	87-010-180-080	C-CER 1500P	AB..EF..IJK.....
C	314	87-010-180-080	C-CER 1500P	AB..EF..IJK.....
C	316	87-010-182-080	C-CAP,S 2200P-50 B	AB..EF..IJK.....
C	315	87-010-182-080	C-CAP,S 2200P-50 B	AB..EF..IJK.....
C	310	87-010-196-080	CHIP CAPACITOR,0.1-25	ABCDEFGG.IJKLMN.....
C	311	87-010-198-080	CAP,CHIP 0.022	ABCDEFGG.IJKLMN.....
C	312	87-010-198-080	CAP,CHIP 0.022	ABCDEFGG.IJKLMN.....
C	324	87-010-260-080	CAP,ELECT 47-25V	ABCDEFGG.IJKLMN.....
C	325	87-010-370-080	CAP,E 330-6.3 SME	ABCDEFGG.IJKLMN.....
C	327	87-010-404-080	CAP,ELECT 4.7-50V	ABCDEFGG.IJKLMN.....
C	328	87-010-404-080	CAP,ELECT 4.7-50V	ABCDEFGG.IJKLMN.....
C	322	87-016-492-080	C-CAP,S 0.33-16 FZ	ABCDEFGG.IJKLMN.....
C	321	87-016-492-080	C-CAP,S 0.33-16 FZ	ABCDEFGG.IJKLMN.....
C	335	87-010-401-080	CAP,ELECT 1-50V	ABCDEFGG.IJKLMN.....
C	336	87-010-401-080	CAP,ELECT 1-50V	ABCDEFGG.IJKLMN.....
C	354	87-010-175-080	CAP 560P	ABCDEFGG.IJKLMN.....
C	359	87-010-183-080	C-CAP,S 2700P-50 B	ABCDEFGG.IJKLMN.....
C	358	87-010-183-080	C-CAP,S 2700P-50 B	ABCDEFGG.IJKLMN.....
C	357	87-010-197-080	CAP,CHIP 0.01 DM	ABCDEFGG.IJKLMN.....
C	356	87-010-260-080	CAP,ELECT 47-25V	ABCDEFGG.IJKLMN.....
C	352	87-012-140-080	CAP 470P	ABCDEFGG.IJKLMN.....
C	351	87-012-140-080	CAP 470P	ABCDEFGG.IJKLMN.....
C	355	87-012-349-080	C-CAP,S 1000P-50 CH	ABCDEFGG.IJKLMN.....
C	360	87-010-183-080	C-CAP,S 2700P-50 B	ABCDEFGG.IJKLMN.....
C	363	87-A10-292-080	CAP,M 5600P-50 JG.IJKLMN.....
C	363	87-A10-772-080	CAP,M 5600P-50 J	ABCDEF.....
C	379	87-010-406-080	CAP,ELECT 22-50	ABCDEFGG.IJKLMN.....
C	374	87-016-083-080	C-CAP,S 0.15-16 RK	ABCDEFGG.IJKLMN.....
C	373	87-016-083-080	C-CAP,S 0.15-16 RK	ABCDEFGG.IJKLMN.....
C	382	87-010-312-080	C-CAP,S 15P-50 CH	AB.....
C	380	87-010-406-080	CAP,ELECT 22-50	ABCDEFGG.IJKLMN.....
C	388	87-012-156-080	C-CAP,S 220P-50 CH	ABCDEFGG.IJKLMN.....
C	393	87-010-319-080	C-CAP,S 56P-50 CH	ABCDEFGG.IJKLMN.....
C	392	87-010-319-080	C-CAP,S 56P-50 CH	ABCDEFGG.IJKLMN.....
C	394	87-010-319-080	C-CAP,S 56P-50 CH	ABCDEFGG.IJKLMN.....
C	391	87-010-319-080	C-CAP,S 56P-50 CH	ABCDEFGG.IJKLMN.....
CN	301	87-099-827-010	CONN,3P S2M-3W	ABCDEFGG.IJKLMN.....

ELECTRICAL PARTS LIST- 3/6 <HA>

CN	351	87-099-832-010	CONN,8P S2M-8W	ABCDEFGH.IJKLMN.....
D	352	87-A40-269-080	C-DIODE,MC2836	ABCDEFGH.IJKLMN.....
IC	303	87-A20-783-040	C-IC,BA7762AFS	ABCDEFGH.IJKLMN.....
L	301	87-A50-049-010	COIL,TRAP 85K(COI)	ABCDEFGH.IJKLMN.....
L	302	87-A50-049-010	COIL,TRAP 85K(COI)	ABCDEFGH.IJKLMN.....
L	351	87-007-342-010	COIL,OSC 85K BIAS	ABCDEFGH.IJKLMN.....
O	359	87-026-610-080	TR,KTC3198GR	ABCDEFGH.IJKLMN.....
O	358	87-026-610-080	TR,KTC3198GR	ABCDEFGH.IJKLMN.....
O	357	87-026-610-080	TR,KTC3198GR	ABCDEFGH.IJKLMN.....
O	356	87-A30-076-080	C-TR,2SC3052FIJK.....
O	351	87-A30-087-080	C-FET,2SK2158	ABCDEFGH.IJKLMN.....
O	353	87-A30-087-080	C-FET,2SK2158	ABCDEFGH.IJKLMN.....
O	354	87-A30-087-080	C-FET,2SK2158	ABCDEFGH.IJKLMN.....
O	355	87-A30-105-080	C-TR,RT1P 441C	ABCDEFGH.IJKLMN.....
O	383	87-A30-075-080	C-TR,2SA1235F	AB.....
SFR	352	87-A90-433-080	SFR,50K H NVZ6TLTA	ABCDEFGH.IJKLMN.....
SFR	351	87-A90-433-080	SFR,50K H NVZ6TLTA	ABCDEFGH.IJKLMN.....
C	457	87-010-196-080	CHIP CAPACITOR,0.1-25	ABCDEFGH.IJKLMN.....
C	458	87-010-196-080	CHIP CAPACITOR,0.1-25	ABCDEFGH.IJKLMN.....
C	452	87-010-401-080	CAP, ELECT 1-50V	ABCDEFGH.IJKLMN.....
C	451	87-010-401-080	CAP, ELECT 1-50V	ABCDEFGH.IJKLMN.....
C	459	87-A10-299-080	CAP,M 0.022-50 JG.IJKLMN.....
C	455	87-A10-305-080	CAP,M 0.068-50 JG.IJKLMN.....
C	456	87-A10-305-080	CAP,M 0.068-50 JG.IJKLMN.....
C	459	87-A11-004-080	CAP,M 0.022-50 J DE	ABCDEF.....
C	460	87-A10-299-080	CAP,M 0.022-50 JG.IJKLMN.....
C	466	87-A10-299-080	CAP,M 0.022-50 JG.IJKLMN.....
C	465	87-A10-299-080	CAP,M 0.022-50 JG.IJKLMN.....
C	465	87-A11-004-080	CAP,M 0.022-50 J DE	ABCDEF.....
C	466	87-A11-004-080	CAP,M 0.022-50 J DE	ABCDEF.....
C	460	87-A11-004-080	CAP,M 0.022-50 J DE	ABCDEF.....
IC	451	87-A21-031-040	C-IC,BU4551BF	ABCDEFGH.IJKLMN.....
C	9	87-067-579-010	TAPPING SCREW, BVT2+3-8	AB.....
C	4	87-012-368-080	TAPPING SCREW, BVT2+3-10EF..IJK.....
C	5	87-012-368-080	CAP,E 3300-50 M SMGEF..IJK.....
C	3	87-012-368-080	C-CAP,S 0.1-50 F	ABCDEFGH.IJKLMN.....
C	6	87-012-368-080	C-CAP,S 0.1-50 F	ABCDEFGH.IJKLMN.....
C	1	87-012-369-080	C-CAP,S 0.1-50 F	ABCDEFGH.IJKLMN.....
C	2	87-012-369-080	C-CAP,S 0.047-50F	ABCDEFGH.IJKLMN.....
C	9	87-A10-520-090	C-CAP,S 0.047-50F	ABCDEFGH.IJKLMN.....
C	10	87-010-917-090	CAP,E 3300-35 M SMG	ABCD..G...LMN.....
C	10	87-A10-520-090	CAP,E 3300-50 M SMGEF..IJK.....
C	27	87-010-197-080	CAP,E 3300-35 M SMG	ABCD..G...LMN.....
C	29	87-010-247-080	CAP, CHIP 0.01 DMLMN.....
C	28	87-010-263-080	CAP, ELECT 100-50V	ABCDEFGH.IJKLMN.....
C	22	87-010-385-080	CAP, ELECT 100-10V	ABCDEFGH.IJKLMN.....
C	21	87-010-385-080	CAP, ELECT 220-25V	ABCDEF...LMN.....
C	24	87-010-408-080	CAP, ELECT 220-25V	ABCDEF...LMN.....
C	23	87-010-408-080	CAP, ELECT 47-50VIJK.....
C	25	87-010-430-080	CAP, ELECT 47-50VIJK.....
C	27	87-012-140-080	CAP, ELECT 100-63	ABCDEFGH.IJKLMN.....
C	30	87-010-112-080	CAP 470P	ABCDEFGH.IJK.....
C	31	87-010-235-080	CAP, ELECT 100-16V	ABCDEFGH.IJKLMN.....
C	33	87-010-405-080	CAP,E 470-16 SME	ABCDEFGH.IJKLMN.....
C	34	87-010-405-080	CAP, ELECT 10-50V	..CD..G.....
C	34	87-016-100-080	CAP, ELECT 10-50V	..CD..G.....
C	33	87-016-100-080	CAP,E 10-50 BPLMN.....
C	61	87-010-260-080	CAP,E 10-50 BPLMN.....
C	62	87-010-403-080	CAP, ELECT 47-25V	ABCDEFGH.IJKLMN.....
C	92	87-010-248-080	CAP, ELECT 3.3-50V	ABCDEFGH.IJKLMN.....
C	93	87-010-380-080	CAP, ELECT 220-10V	..CDEF..I.....
C	91	87-010-401-080	CAP, ELECT 47-16V	..CDEF..I.....
CN	91	87-A60-109-010	CAP, ELECT 1-50V	..CDEF..I.....
CNA	1	8Z-NB8-604-010	CONN,2P V S2M-2W	..CDEF..I.....
CNA	1	8Z-NF8-669-010	CONN ASSY,7P VH	AB.....
CNA	1	8Z-NF8-670-010	CONN ASSY,9P VH	..CD..G...LMN.....
D	1	87-017-447-010	CONN ASSY,7P 480 VHEF..IJK.....
D	1	87-017-654-060	DIODE,GBU4DL	..CD.....
D	8	87-020-465-080	DIODE,GBU6J	AB..EF.....
D	9	87-020-465-080	DIODE,1SS133 (110MA)	ABCDEFGH.IJKLMN.....
D	4	87-070-274-080	DIODE,1SS133 (110MA)	ABCDEFGH.IJKLMN.....
D	3	87-070-274-080	DIODE,1N4003 SEM	ABCDEFGH.IJKLMN.....
D	6	87-070-274-080	DIODE,1N4003 SEM	ABCDEFGH.IJKLMN.....
D	5	87-070-274-080	DIODE,1N4003 SEM	ABCDEFGH.IJKLMN.....
D	7	87-A40-383-080	DIODE,1N4003 SEM	ABCDEFGH.IJKLMN.....
D	1	87-A40-547-090	ZENER,MTZJ30A	ABCDEFGH.IJKLMN.....
D	1	87-A40-548-090	DIODE,D5SBA20IJK.....
D	10	87-A40-345-080	DIODE,D3SBA20G...LMN.....
D	64	87-070-274-080	ZENER,MTZJ10C	ABCDEFGH.IJKLMN.....
D	62	87-A40-269-080	DIODE,1N4003 SEM	ABCDEFGH.IJKLMN.....
D	61	87-A40-270-080	C-DIODE,MC2836	ABCDEFGH.IJKLMN.....
JW	16	87-008-372-080	C-DIODE,MC2838	ABCDEFGH.IJKLMN.....
O	1	87-026-609-080	FILTER,EMI BL OIRNI	..CDEF..IJKLMN.....
O	2	87-026-609-080	TR,KTA1266GR	..CDEF..IJKLMN.....
O	5	87-026-610-080	TR,KTA1266GR	ABCDEF..IJKLMN.....
O	8	87-A30-075-080	TR,KTC3198GR	ABCDEF..IJKLMN.....
O	9	87-A30-196-080	C-TR,2SA1235F	ABCDEF..IJKLMN.....
O	4	89-213-702-010	TR,2SC4115SRS	ABCDEF..IJKLMN.....
O	61	87-A30-074-080	TR,2SB1370 (1.8W)	ABCDEF..IJKLMN.....
O	64	87-A30-075-080	C-TR,RT1P 141C	..CDEF..IJKLMN.....
			C-TR,2SA1235F	ABCDEF..IJKLMN.....

ELECTRICAL PARTS LIST- 4/6 <HA>

Q	66	87-A30-075-080	C-TR,2SA1235F	ABCDEFG.IJKLMN.....
Q	62	87-A30-107-070	C-TR,CMBT5401
Q	91	87-A30-076-080	C-TR,2SC3052F	ABCDEFG.IJKLMN.....
R	20	87-A00-261-080	RES,M/F 0.56-1W J	AB.....
WH	1	87-A90-510-010	HLDR,WIRE 2.5-9P	ABCDEFG.IJKLMN.....
		87-067-703-010	TAPPING SCREW, BVT2+3-10	ABCDEFG.IJKLMN.....
C	102	87-010-178-080	CHIP CAP 1000P	ABCDEFG.IJKLMN.....
C	101	87-010-178-080	CHIP CAP 1000P	ABCDEFG.IJKLMN.....
C	109	87-010-322-080	C-CAP,S 100P-50 CH	AB.....
C	103	87-010-405-080	CAP, ELECT 10-50V	ABCDEFG.IJKLMN.....
C	104	87-010-405-080	CAP, ELECT 10-50V	ABCDEFG.IJKLMN.....
C	108	87-010-408-080	CAP, ELECT 47-50V	ABCDEFG.IJKLMN.....
C	107	87-010-408-080	CAP, ELECT 47-50V	ABCDEFG.IJKLMN.....
C	112	87-010-260-080	CAP, ELECT 47-25V	ABCDEFG.IJKLMN.....
C	111	87-010-260-080	CAP, ELECT 47-25V	ABCDEFG.IJKLMN.....
C	110	87-010-322-080	C-CAP,S 100P-50 CH	AB.....
C	118	87-016-247-080	C-CAP,0.1-50 F	ABCDEF.....
C	117	87-016-247-080	C-CAP,0.1-50 F	ABCDEF.....
C	113	87-A10-685-080	C-CAP,S 470P-100 J CH	...DEF.....
C	114	87-A10-685-080	C-CAP,S 470P-100 J CH	...DEF.....
C	113	87-A10-812-080	C-CAP,S 220P-200 J CH	ABC.....
C	114	87-A10-812-080	C-CAP,S 220P-200 J CH	ABC.....
C	114	87-A10-946-080	C-CAP,S 220P-100 J CHG.IJKLMN.....
C	113	87-A10-946-080	C-CAP,S 220P-100 J CHG.IJKLMN.....
C	117	87-A11-185-080	C-CAP, 0.47-50 F ZG.IJKLMN.....
C	118	87-A11-185-080	C-CAP, 0.47-50 F ZG.IJKLMN.....
C	123	87-010-176-080	C-CAP,S 680P-50 SL	ABCDEFG.IJKLMN.....
C	124	87-010-176-080	C-CAP,S 680P-50 SL	ABCDEFG.IJKLMN.....
C	129	87-010-191-080	C-CAP,S 0.015-50 F	ABCDEFG.IJKLMN.....
C	130	87-010-191-080	C-CAP,S 0.015-50 F	ABCDEFG.IJKLMN.....
C	131	87-010-197-080	CAP, CHIP 0.01 DM	ABCDEFG.IJKLMN.....
C	133	87-010-197-080	CAP, CHIP 0.01 DM	ABCDEFG.IJKLMN.....
C	132	87-010-197-080	CAP, CHIP 0.01 DM	ABCDEFG.IJKLMN.....
C	136	87-012-368-080	C-CAP,S 0.1-50 F	ABCDEFG.IJKLMN.....
D	108	87-A40-488-080	DIODE,1SS244	ABCDEFG.IJK.....
D	107	87-A40-488-080	DIODE,1SS244	ABCDEFG.IJK.....
D	111	87-A40-270-080	C-DIODE,MC2838	ABCDEFG.IJKLMN.....
J	203	87-033-240-010	TERMINAL,SP 4P32SV1-05	AB.....
J	203	87-A60-238-010	TERMINAL,SP 4P (MSC)	..CDEFG.IJKLMN.....
J	201	87-A60-483-010	JACK,DIA6.3 BLK ST W/S KM	ABCDEF.....
J	201	87-A60-929-010	JACK,DIA6.3 BLK ST W/S TAIG.IJKLMN.....
L	101	87-003-383-010	COIL,1UH-S	ABCDEFG.IJKLMN.....
L	102	87-003-383-010	COIL,1UH-S	ABCDEFG.IJKLMN.....
Q	104	87-A30-075-080	C-TR,2SA1235F	ABCDEFG.IJKLMN.....
Q	103	87-A30-075-080	C-TR,2SA1235F	ABCDEFG.IJKLMN.....
Q	105	87-A30-075-080	C-TR,2SA1235F	ABCDEFG.IJKLMN.....
Q	106	87-A30-075-080	C-TR,2SA1235F	ABCDEFG.IJKLMN.....
Q	108	87-A30-076-080	C-TR,2SC3052F	ABCDEFG.IJKLMN.....
Q	109	87-A30-076-080	C-TR,2SC3052F	ABCDEFG.IJKLMN.....
Q	107	87-A30-076-080	C-TR,2SC3052F	ABCDEFG.IJKLMN.....
Q	101	87-A30-086-070	C-TR,CSD1306ELMN.....
Q	102	87-A30-086-070	C-TR,CSD1306ELMN.....
Q	104	87-A30-107-070	C-TR,CMBT5401	AB.....
Q	103	87-A30-107-070	C-TR,CMBT5401	AB.....
Q	105	87-A30-107-070	C-TR,CMBT5401	AB.....
Q	106	87-A30-107-070	C-TR,CMBT5401	AB.....
Q	102	87-A30-257-080	C-TR,2SD1306E	ABCDEFG.IJK.....
Q	101	87-A30-257-080	C-TR,2SD1306E	ABCDEFG.IJK.....
Q	110	87-A30-076-080	C-TR,2SC3052F	ABCDEFG.IJKLMN.....
Q	115	87-A30-097-010	TR, FN 1016	..CD..G...LMN.....
Q	116	87-A30-097-010	TR, FN 1016	..CD..G...LMN.....
Q	118	87-A30-098-010	TR, FP 1016	..CD..G...LMN.....
Q	117	87-A30-098-010	TR, FP 1016	..CD..G...LMN.....
Q	119	87-A30-109-010	TR,2SD 2495	AB.....
Q	112	87-A30-190-080	TR,CC5551	ABCDEFG.IJKLMN.....
Q	111	87-A30-190-080	TR,CC5551	ABCDEFG.IJKLMN.....
Q	119	87-A30-215-010	TR,2SD2025EF..IJK.....
Q	119	87-A30-256-010	TR,2SD1933
Q	126	87-A30-075-080	C-TR,2SA1235F	ABCDEFG.IJKLMN.....
Q	127	87-A30-075-080	C-TR,2SA1235F	ABCDEFG.IJKLMN.....
Q	129	87-A30-076-080	C-TR,2SC3052F	ABCDEFG.IJKLMN.....
Q	128	87-A30-076-080	C-TR,2SC3052F	ABCDEFG.IJKLMN.....
Q	124	87-A30-106-070	C-TR,CMBT5551	ABCDEFG.IJKLMN.....
Q	123	87-A30-106-070	C-TR,CMBT5551	ABCDEFG.IJKLMN.....
Q	126	87-A30-107-070	C-TR,CMBT5401	AB.....
Q	122	87-A30-108-010	TR,2SB1626	AB.....
Q	121	87-A30-108-010	TR,2SB1626	AB.....
Q	120	87-A30-109-010	TR,2SD 2495	AB.....
Q	122	87-A30-214-010	TR,2SB1344EF..IJK.....
Q	121	87-A30-214-010	TR,2SB1344EF..IJK.....
Q	120	87-A30-215-010	TR,2SD2025EF..IJK.....
Q	121	87-A30-255-010	TR,2SB1342
Q	122	87-A30-255-010	TR,2SB1342
Q	120	87-A30-256-010	TR,2SD1933
Q	130	87-A30-076-080	C-TR,2SC3052F	ABCDEFG.IJKLMN.....
Q	131	87-A30-076-080	C-TR,2SC3052F	ABCDEFG.IJKLMN.....
R	131	87-A00-257-080	RES,M/F 0.15-1W J	ABCDEFG.IJKLMN.....
R	132	87-A00-257-080	RES,M/F 0.15-1W J	ABCDEFG.IJKLMN.....
R	132	87-A00-258-080	RES,M/F 0.22-1W J
R	131	87-A00-258-080	RES,M/F 0.22-1W J
R	144	87-A00-439-050	RES,180-1/2W J RP	AB..EF..IJK.....
R	143	87-A00-439-050	RES,180-1/2W J RP	AB..EF..IJK.....

ELECTRICAL PARTS LIST- 5/6 <HA>

R	145	87-A00-439-050	RES,180-1/2W J RP	AB..EF..IJK.....
R	146	87-A00-439-050	RES,180-1/2W J RP	AB..EF..IJK.....
R	146	87-A00-440-050	RES,220-1/2W J RP	..CD..G...LMN.....
R	145	87-A00-440-050	RES,220-1/2W J RP	..CD..G...LMN.....
R	144	87-A00-440-050	RES,220-1/2W J RP	..CD..G...LMN.....
R	143	87-A00-440-050	RES,220-1/2W J RP	..CD..G...LMN.....
TH	102	87-A91-042-080	C-THMS,100K 55001	...DEFG.IJKLMN.....
TH	101	87-A91-042-080	C-THMS,100K 55001	...DEFG.IJKLMN.....
C	203	87-010-177-080	C-CAP,S 820P-50 SL	ABCDEF.G.IJKLMN.....
C	204	87-010-177-080	C-CAP,S 820P-50 SL	ABCDEF.G.IJKLMN.....
C	209	87-010-403-080	CAP, ELECT 3.3-50V	ABCDEF.G.IJKLMN.....
C	212	87-010-181-080	CAP,CHIP S 1800P	ABCDEF.G.IJKLMN.....
C	211	87-010-181-080	CAP,CHIP S 1800P	ABCDEF.G.IJKLMN.....
C	217	87-010-260-080	CAP, ELECT 47-25V	ABCDEF.G.IJKLMN.....
C	218	87-010-260-080	CAP, ELECT 47-25V	ABCDEF.G.IJKLMN.....
C	210	87-010-403-080	CAP, ELECT 3.3-50V	ABCDEF.G.IJKLMN.....
C	213	87-010-403-080	CAP, ELECT 3.3-50V	ABCDEF.G.IJKLMN.....
C	214	87-010-403-080	CAP, ELECT 3.3-50V	ABCDEF.G.IJKLMN.....
C	219	87-A10-946-080	C-CAP,S 220P-100 J CH	ABCDEF.G.IJKLMN.....
C	228	87-010-186-080	CAP,CHIP 4700P	ABCDEF.G.IJKLMN.....
C	227	87-010-186-080	CAP,CHIP 4700P	ABCDEF.G.IJKLMN.....
C	224	87-010-190-080	S CHIP F 0.01	ABCDEF.G.IJKLMN.....
C	223	87-010-190-080	S CHIP F 0.01	ABCDEF.G.IJKLMN.....
C	229	87-010-993-080	C-CAP,S 0.056-25 B	ABCDEF.G.IJKLMN.....
C	225	87-012-368-080	C-CAP,S 0.1-50 F	ABCDEF.G.IJKLMN.....
C	226	87-012-368-080	C-CAP,S 0.1-50 F	ABCDEF.G.IJKLMN.....
C	220	87-A10-946-080	C-CAP,S 220P-100 J CH	ABCDEF.G.IJKLMN.....
C	234	87-010-190-080	S CHIP F 0.01	ABCDEF.G.IJKLMN.....
C	233	87-010-190-080	S CHIP F 0.01	ABCDEF.G.IJKLMN.....
C	232	87-010-196-080	CHIP CAPACITOR,0.1-25	ABCDEF.G.IJKLMN.....
C	231	87-010-196-080	CHIP CAPACITOR,0.1-25	ABCDEF.G.IJKLMN.....
C	239	87-010-196-080	CHIP CAPACITOR,0.1-25	ABCDEF.G.IJKLMN.....
C	238	87-010-322-080	C-CAP,S 100P-50 CH	ABCDEF.G.IJKLMN.....
C	237	87-010-322-080	C-CAP,S 100P-50 CH	ABCDEF.G.IJKLMN.....
C	230	87-010-993-080	C-CAP,S 0.056-25 B	ABCDEF.G.IJKLMN.....
C	236	87-016-285-080	CAP,E 47-100SME	AB.DEFG....LM.....
C	235	87-016-285-080	CAP,E 47-100SME	AB.DEFG....LM.....
C	236	87-A10-121-080	CAP,E 47-100 REAIJK.....
C	235	87-A10-121-080	CAP,E 47-100 REAIJK.....
C	240	87-010-408-080	CAP, ELECT 47-50V	AB....G.IJKLMN.....
D	208	87-020-465-080	DIODE,1SS133 (110MA)	ABCDEF.G.IJKLMN.....
D	207	87-020-465-080	DIODE,1SS133 (110MA)	ABCDEF.G.IJKLMN.....
D	208	87-A40-488-080	DIODE,1SS244	ABCDEF.G.IJK.....
D	207	87-A40-488-080	DIODE,1SS244	ABCDEF.G.IJK.....
D	211	87-A40-270-080	C-DIODE,MC2838	ABCDEF.G.IJKLMN.....
J	204	87-A60-750-010	JACK,PIN 4P R/W BLUE	AB.DEFG.IJKLM.....
J	205	87-A60-751-010	JACK,PIN 2P R/W BLUE	..C.....N.....
L	202	87-003-383-010	COIL,1UH-S	ABCDEF.G.IJKLMN.....
L	201	87-003-383-010	COIL,1UH-S	ABCDEF.G.IJKLMN.....
O	206	87-A30-075-080	C-TR,2SA1235F	ABCDEF.G.IJKLMN.....
O	205	87-A30-075-080	C-TR,2SA1235F	ABCDEF.G.IJKLMN.....
O	203	87-A30-075-080	C-TR,2SA1235F	ABCDEF.G.IJKLMN.....
O	204	87-A30-075-080	C-TR,2SA1235F	ABCDEF.G.IJKLMN.....
O	209	87-A30-076-080	C-TR,2SC3052F	ABCDEF.G.IJKLMN.....
O	208	87-A30-076-080	C-TR,2SC3052F	ABCDEF.G.IJKLMN.....
O	207	87-A30-076-080	C-TR,2SC3052F	ABCDEF.G.IJKLMN.....
O	202	87-A30-086-070	C-TR,CSD1306ELMN.....
O	201	87-A30-086-070	C-TR,CSD1306ELMN.....
O	201	87-A30-257-080	C-TR,2SD1306E	ABCDEF.G.IJK.....
O	202	87-A30-257-080	C-TR,2SD1306E	ABCDEF.G.IJK.....
O	210	87-A30-076-080	C-TR,2SC3052F	ABCDEF.G.IJKLMN.....
O	219	87-A30-106-070	C-TR,CMBT5551LMN.....
O	219	87-A30-119-040	C-TR,2SC3906K R	ABCDEF.G.IJK.....
O	211	87-A30-190-080	TR,CC5551	ABCDEF.G.IJKLMN.....
O	212	87-A30-190-080	TR,CC5551	ABCDEF.G.IJKLMN.....
O	217	87-A30-255-010	TR,2SB1342	ABCDEF.G.IJKLMN.....
O	218	87-A30-255-010	TR,2SB1342	ABCDEF.G.IJKLMN.....
O	216	87-A30-256-010	TR,2SD1933	ABCDEF.G.IJKLMN.....
O	215	87-A30-256-010	TR,2SD1933	ABCDEF.G.IJKLMN.....
O	224	87-A30-076-080	C-TR,2SC3052F	ABCDEF.G.IJKLMN.....
O	225	87-A30-076-080	C-TR,2SC3052F	ABCDEF.G.IJKLMN.....
O	227	87-A30-076-080	C-TR,2SC3052F	ABCDEF.G.IJKLMN.....
O	220	87-A30-106-070	C-TR,CMBT5551LMN.....
O	220	87-A30-119-040	C-TR,2SC3906K R	ABCDEF.G.IJK.....
R	232	87-A00-258-080	RES,M/F 0.22-1W J	ABCDEF.G.IJKLMN.....
R	233	87-A00-258-080	RES,M/F 0.22-1W J	ABCDEF.G.IJKLMN.....
R	231	87-A00-258-080	RES,M/F 0.22-1W J	ABCDEF.G.IJKLMN.....
R	234	87-A00-258-080	RES,M/F 0.22-1W J	ABCDEF.G.IJKLMN.....
R	265	87-A00-258-080	RES,M/F 0.22-1W J	ABCDEF.G.IJKLMN.....
R	266	87-A00-258-080	RES,M/F 0.22-1W J	ABCDEF.G.IJKLMN.....
C	602	87-010-180-080	C-CER 1500P	ABCDEF.G.IJKLMN.....
C	601	87-010-180-080	C-CER 1500P	ABCDEF.G.IJKLMN.....
C	605	87-010-318-080	C-CAP,S 47P-50 CH	ABCDEF.G.IJKLMN.....
C	606	87-010-318-080	C-CAP,S 47P-50 CH	ABCDEF.G.IJKLMN.....
C	619	87-010-185-080	C-CAP,S 3900P-50 B	ABCDEF.G.IJKLMN.....
C	614	87-016-081-080	C-CAP,S 0.1-16 RK	ABCDEF.G.IJKLMN.....
C	613	87-016-081-080	C-CAP,S 0.1-16 RK	ABCDEF.G.IJKLMN.....
C	617	87-A10-304-080	CAP,M 0.056-50 JG.IJK.....
C	618	87-A10-304-080	CAP,M 0.056-50 JG.IJK.....
C	618	87-A10-305-080	CAP,M 0.068-50 JLMN.....
C	617	87-A10-305-080	CAP,M 0.068-50 JLMN.....
C	617	87-A11-008-080	CAP,M 0.056-50 J DE	ABCDEF.....LMN.....

ELECTRICAL PARTS LIST- 6/6 <HA>

C	618	87-A11-008-080	CAP,M 0.056-50 J DE	ABCDEF.....
C	616	87-A11-011-080	CAP,M 0.12-50 J DE	ABCDEFG.IJKLMN.....
C	615	87-A11-011-080	CAP,M 0.12-50 J DE	ABCDEFG.IJKLMN.....
C	620	87-010-185-080	C-CAP,S 3900P-50 B	ABCDEFG.IJKLMN.....
C	627	87-010-196-080	CHIP CAPACITOR,0.1-25	ABCDEFG.IJKLMN.....
C	622	87-010-401-080	CAP, ELECT 1-50V	ABCDEFG.IJKLMN.....
C	621	87-010-401-080	CAP, ELECT 1-50V	ABCDEFG.IJKLMN.....
C	626	87-010-405-080	CAP, ELECT 10-50V	ABCDEFG.IJKLMN.....
C	629	87-010-405-080	CAP, ELECT 10-50V	ABCDEFG.IJKLMN.....
C	625	87-010-405-080	CAP, ELECT 10-50V	ABCDEFG.IJKLMN.....
C	623	87-A10-307-080	CAP,M 0.1-50 JG.IJKLMN.....
C	624	87-A10-307-080	CAP,M 0.1-50 JG.IJKLMN.....
C	623	87-A10-773-080	CAP,M 0.10-50 J	ABCDEF.....
C	624	87-A10-773-080	CAP,M 0.10-50 J	ABCDEF.....
C	637	87-010-183-080	C-CAP,S 2700P-50 B	ABCDEFG.IJKLMN.....
C	636	87-010-194-080	CAP, CHIP 0.047	..CD..G....LMN.....
C	635	87-010-196-080	CHIP CAPACITOR,0.1-25	ABCDEFG.IJKLMN.....
C	634	87-010-196-080	CHIP CAPACITOR,0.1-25	ABCDEFG.IJKLMN.....
C	630	87-010-213-080	C-CAP,S 0.015-50 B	ABCDEFG.IJKLMN.....
C	633	87-010-263-080	CAP, ELECT 100-10V	ABCDEFG.IJKLMN.....
C	632	87-010-263-080	CAP, ELECT 100-10V	ABCDEFG.IJKLMN.....
C	639	87-010-314-080	C-CAP,S 22P-50V	ABCDEFG.IJKLMN.....
C	638	87-010-314-080	C-CAP,S 22P-50V	ABCDEFG.IJKLMN.....
C	631	87-010-992-080	C-CAP,S 0.047-25 B	ABCDEFG.IJKLMN.....
C	641	87-010-196-080	CHIP CAPACITOR,0.1-25	ABCDEFG.IJKLMN.....
C	669	87-010-322-080	C-CAP,S 100P-50 CHG.IJKLMN.....
C	678	87-010-196-080	CHIP CAPACITOR,0.1-25	ABCDEFG.IJKLMN.....
C	677	87-010-196-080	CHIP CAPACITOR,0.1-25	ABCDEFG.IJKLMN.....
C	670	87-010-322-080	C-CAP,S 100P-50 CHG.IJKLMN.....
C	680	87-010-196-080	CHIP CAPACITOR,0.1-25	ABCDEFG.IJKLMN.....
CN	604	87-099-570-010	CONN,13P TUC-P13P-B1	ABCDE.G.IJ.LMN.....
CN	601	87-099-719-010	CONN,30P TYK-B(X)	ABCDEF.....
CN	602	87-A60-131-010	CONN,6P V FE	ABCDEFG.IJKLMN.....
CN	605	87-A60-189-010	CONN,16P V TUC-P16P-B1F....K.....
CN	601	88-NF9-657-010	CONN,30P H BLK TYK-B(X)G.IJKLMN.....
D	601	87-A40-002-080	ZENER,MTZJ5.1C	ABCDEFG.IJKLMN.....
D	603	87-A40-234-080	ZENER,MTZJ5.6AG.IJKLMN.....
D	602	87-A40-438-080	ZENER,MTZJ4.7A	ABCDEFG.IJKLMN.....
IC	601	87-A21-011-040	C-IC,M62445FP-600D	ABCDEFG.IJK.....
IC	601	87-A21-202-040	C-IC,M62445AFPLMN.....
J	602	87-A60-398-010	JACK,PIN 2P R/W HSP-242V24	ABCDEFG.IJK.....
J	602	87-A60-881-010	JACK,PIN 2P MSP 242V05 PBSNLMN.....
Q	601	87-026-609-080	TR,KTA1266GR	ABCDEFG.IJKLMN.....
Q	604	87-A30-142-040	C-TR,DTA123EKAG.IJKLMN.....
C	735	87-010-178-080	CHIP CAP 1000PG....LMN.....
C	732	87-010-196-080	CHIP CAPACITOR,0.1-25	..CD..G....LMN.....
C	733	87-010-196-080	CHIP CAPACITOR,0.1-25	..CD..G....LMN.....
C	731	87-010-405-080	CAP, ELECT 10-50V
C	733	87-010-544-080	CAP, ELECT 0.1-50V
C	731	87-010-560-080	CAP,E 10-50 GAS	..CD..G....LMN.....
C	734	87-012-157-080	C-CAP,S 330P-50 CH	..CD..G....LMN.....
JR	703	87-012-368-080	C-CAP,S 0.1-50 FD....LMN.....
Q	732	87-A30-075-080	C-TR,2SA1235F	..CD..G....LMN.....
Q	731	87-A30-076-080	C-TR,2SC3052F	..CD..G....LMN.....

ELECTRICAL PARTS LIST-1/3 (TUNER ZZA-1)<HA>

NOTE: The characters in the suffix column indicate the part usage.

ULHRTCNM	REF.NO	PARTS NO.	NO.	DESCRIPTION	SUFFIX
.....XX			KANRI		A.....
	C	701	87-010-381-080	CAP, ELECT 330-16V	A.....
	C	702	87-010-404-080	CAP, ELECT 4.7-50V	A.....
	C	709	87-012-195-080	C-CAP,U 100P-50CH	A.....
	C	703	87-012-286-080	CAP, U 0.01-25	A.....
	C	704	87-012-286-080	CAP, U 0.01-25	A.....
	C	711	87-010-260-080	CAP, ELECT 47-25V	A.....
	C	711	87-010-553-080	CAP,E 47-16	A.....
	C	712	87-010-831-080	C-CAP,U,0.1-16F	A.....
	C	718	87-012-179-080	C-CAP,U 20P-50 CH	A.....
	C	715	87-012-195-080	C-CAP,U 100P-50CH	A.....
	C	714	87-012-286-080	CAP, U 0.01-25	A.....
	C	717	87-012-286-080	CAP, U 0.01-25	A.....
	C	713	87-012-286-080	CAP, U 0.01-25	A.....
	C	719	87-012-286-080	CAP, U 0.01-25	A.....
	C	727	87-010-196-080	CHIP CAPACITOR,0.1-25	A.....
	C	728	87-010-248-080	CAP, ELECT 220-10V	A.....
	C	721	87-012-176-080	CAP 15P	A.....
	C	722	87-012-176-080	CAP 15P	A.....
	C	720	87-012-195-080	C-CAP,U 100P-50CH	A.....
	C	725	87-012-274-080	CHIP CAP,U 1000P-50B	A.....
	C	723	87-012-274-080	CHIP CAP,U 1000P-50B	A.....
	C	729	87-012-274-080	CHIP CAP,U 1000P-50B	A.....
	C	725	87-018-131-080	CAP, CER 1000P-50V	A.....
	C	805	87-012-286-080	CAP, U 0.01-25	A.....
	C	806	87-012-286-080	CAP, U 0.01-25	A.....
	CN	701	87-A60-650-010	CONN,16P H GRY TUC-P16X-C1	A.....
	CN	701	87-A60-700-010	CONN,13P H GRY TUC-P13X-C1	A.....
	D	721	87-017-149-080	ZENER,HZS6A2L	A.....
	D	722	87-020-465-080	DIODE,1SS133 (110MA)	A.....
	IC	721	87-070-127-110	IC,LC72131 D	A.....
	Q	712	87-A30-072-080	C-TR,RT1P 144C	A.....
	Q	713	87-A30-072-080	C-TR,RT1P 144C	A.....
	Q	711	87-A30-234-080	TR,CSC4115BC	A.....
	X	721	87-A70-061-010	VIB,XTAL 4.500MHZ CSA-309	A.....
	C	872	87-010-400-080	CAP, ELECT 0.47-50V	A.....
	C	873	87-010-404-080	CAP, ELECT 4.7-50V	A.....
	C	877	87-012-278-080	C-CAP,U 2200P-50 B	A.....
	C	878	87-012-278-080	C-CAP,U 2200P-50 B	A.....
	C	889	87-010-248-080	CAP, ELECT 220-10V	A.....
	C	884	87-010-260-080	CAP, ELECT 47-25V	A.....
	C	883	87-010-404-080	CAP, ELECT 4.7-50V	A.....
	C	886	87-010-545-080	CAP, ELECT 0.22-50V	A.....
	C	885	87-010-545-080	CAP, ELECT 0.22-50V	A.....
	C	888	87-010-787-080	CAP, U 0.022-25	A.....
	C	881	87-012-141-080	CHIP-CAPACITOR,0.22-16F	A.....
	C	882	87-012-172-080	CAPACITOR CHIP U 10P CH	A.....
	C	887	87-012-286-080	CAP, U 0.01-25	A.....
	C	886	87-016-460-080	C-CAP,S 0.22-16 B	A.....
	C	885	87-016-460-080	C-CAP,S 0.22-16 B	A.....
	IC	871	87-070-060-040	IC,TA2040AF	A.....
	Q	873	87-026-226-080	CHIP-TR,DTA143EK	A.....
	X	891	87-030-394-010	VIB,CER CSA3.6MGF228	A.....
	C	706	87-A10-592-080	C-CAP,S 0.015-50 J B	A.....
	C	705	87-A10-592-080	C-CAP,S 0.015-50 J B	A.....
	C	733	87-010-987-080	C-CAP,S 1500P-50 CH	A.....
	C	736	87-010-987-080	C-CAP,S 1500P-50 CH	A.....
	C	735	87-010-987-080	C-CAP,S 1500P-50 CH	A.....
	C	734	87-010-987-080	C-CAP,S 1500P-50 CH	A.....
	C	733	87-012-280-080	CAP, U 3300P-50	A.....
	C	734	87-012-280-080	CAP, U 3300P-50	A.....
	C	731	87-012-286-080	CAP, U 0.01-25	A.....
	C	738	87-A10-592-080	C-CAP,S 0.015-50 J B	A.....
	C	737	87-A10-592-080	C-CAP,S 0.015-50 J B	A.....
	C	752	87-010-220-080	C-CAP,S 0.018-25 B	A.....
	C	751	87-010-220-080	C-CAP,S 0.018-25 B	A.....
	C	758	87-012-167-080	C-CAP,U 5P-50 CH	A.....
	C	757	87-012-188-080	C-CAP,U 47P-50 CH	A.....
	C	753	87-012-195-080	C-CAP,U 100P-50CH	A.....
	C	752	87-012-282-080	CAP, U 4700P-50	A.....
	C	755	87-012-286-080	CAP, U 0.01-25	A.....
	C	756	87-012-286-080	CAP, U 0.01-25	A.....
	C	752	87-012-365-080	C-CAP,S 0.027-25VBK	A.....
	C	751	87-012-365-080	C-CAP,S 0.027-25VBK	A.....
	C	761	87-010-196-080	CHIP CAPACITOR,0.1-25	A.....
	C	766	87-010-197-080	CAP, CHIP 0.01 DM	A.....
	C	769	87-010-260-080	CAP, ELECT 47-25V	A.....
	C	763	87-010-829-080	CAP, U 0.047-16	A.....
	C	765	87-012-286-080	CAP, U 0.01-25	A.....
	C	768	87-012-286-080	CAP, U 0.01-25	A.....
	C	762	87-012-286-080	CAP, U 0.01-25	A.....
	C	764	87-012-337-080	C-CAP,U 56P-50 CH	A.....
	C	773	87-010-196-080	CHIP CAPACITOR,0.1-25	A.....
	C	774	87-010-263-080	CAP, ELECT 100-10V	A.....
	C	771	87-010-383-080	CAP, ELECT 33-25V	A.....
	C	777	87-010-400-080	CAP, ELECT 0.47-50V	A.....
	C	778	87-010-401-080	CAP, ELECT 1-50V	A.....

ELECTRICAL PARTS LIST-2/3 (TUNER ZZA-1)<HA>

C	779	87-010-401-080	CAP, ELECT 1-50V	A.....
C	775	87-010-404-080	CAP, ELECT 4.7-50V	A.....
C	777	87-010-493-080	CAP, E 0.47-50 GAS
C	770	87-010-829-080	CAP, U 0.047-16	A.....
C	772	87-010-829-080	CAP, U 0.047-16	A.....
C	776	87-012-286-080	CAP, U 0.01-25	A.....
C	780	87-010-196-080	CHIP CAPACITOR, 0.1-25	A.....
C	785	87-010-401-080	CAP, ELECT 1-50V	A.....
C	786	87-010-401-080	CAP, ELECT 1-50V	A.....
C	782	87-010-405-080	CAP, ELECT 10-50V	A.....
C	781	87-010-405-080	CAP, ELECT 10-50V	A.....
C	785	87-010-405-080	CAP, ELECT 10-50V
C	786	87-010-405-080	CAP, ELECT 10-50V
C	786	87-010-494-080	CAP ELECT GAS 1/50
C	785	87-010-494-080	CAP ELECT GAS 1/50
C	788	87-012-275-080	C-CAP, U 1200P-50 B
C	789	87-012-275-080	C-CAP, U 1200P-50 B	A.....
C	787	87-012-275-080	C-CAP, U 1200P-50 B
C	784	87-012-286-080	CAP, U 0.01-25	A.....
C	783	87-012-286-080	CAP, U 0.01-25	A.....
C	796	87-010-403-080	CAP, ELECT 3.3-50V	A.....
C	791	87-010-405-080	CAP, ELECT 10-50V	A.....
C	794	87-010-406-080	CAP, ELECT 22-50	A.....
C	795	87-010-596-080	CAP, S 0.047-16	A.....
C	799	87-010-829-080	CAP, U 0.047-16	A.....
C	793	87-012-273-080	C-CAP, U 820P-50 B	A.....
C	790	87-012-275-080	C-CAP, U 1200P-50 B	A.....
C	798	87-012-276-080	CAP, CHIP SS 1500 PBK
C	797	87-012-276-080	CAP, CHIP SS 1500 PBK
D	771	87-020-465-080	DIODE, 1SS133 (110MA)
D	773	87-020-465-080	DIODE, 1SS133 (110MA)	A.....
D	886	87-020-465-080	DIODE, 1SS133 (110MA)
IC	771	87-A20-913-010	IC, LA1837NL	A.....
L	771	87-A50-266-010	COIL, FM DET-2N(TOK)	A.....
L	772	87-A90-052-010	FLTR, CFMT-450A(TOK)
L	772	87-A90-053-010	FLTR, PCFMT-060(TOK)
L	772	87-A91-110-010	FLTR, PCFJZH-450 (TOK)	A.....
L	781	87-005-847-080	COIL, 2.2UH(CECS)
L	791	87-A50-027-010	COIL, 1 POLE MPX(TOK)
L	792	87-A50-027-010	COIL, 1 POLE MPX(TOK)
X	771	87-030-354-010	VIB, CF BFU 450C
C	859	87-012-286-080	CAP, U 0.01-25
C	865	87-010-196-080	CHIP CAPACITOR, 0.1-25
C	864	87-010-405-080	CAP, ELECT 10-50V
C	866	87-010-405-080	CAP, ELECT 10-50V
C	869	87-012-180-080	C-CAP, U 22P-50 CH
C	868	87-012-184-080	C-CAP, U 33P-50 CH
C	861	87-012-199-080	CAP 220P
C	862	87-012-199-080	CAP 220P
C	863	87-012-270-080	CAP, U 470P-50
C	867	87-012-286-080	CAP, U 0.01-25
IC	851	87-A20-440-040	C-IC, BU1920FS
L	851	87-005-847-080	COIL, 2.2UH(CECS)
Q	853	87-A30-076-080	C-TR, 2SC3052F
X	851	87-A70-091-010	VIB, XTAL 4.332MHZ CSA-309
C	801	87-012-286-080	CAP, U 0.01-25
C	803	87-012-286-080	CAP, U 0.01-25
C	804	87-012-286-080	CAP, U 0.01-25
C	809	87-012-286-080	CAP, U 0.01-25
C	808	87-012-286-080	CAP, U 0.01-25
C	802	87-012-286-080	CAP, U 0.01-25
C	807	87-012-286-080	CAP, U 0.01-25
C	810	87-012-286-080	CAP, U 0.01-25
C	812	87-012-286-080	CAP, U 0.01-25	A.....
C	814	87-012-286-080	CAP, U 0.01-25
C	828	87-010-196-080	CHIP CAPACITOR, 0.1-25	A.....
C	829	87-010-196-080	CHIP CAPACITOR, 0.1-25	A.....
C	820	87-010-260-080	CAP, ELECT 47-25V	A.....
C	823	87-012-286-080	CAP, U 0.01-25	A.....
C	821	87-012-286-080	CAP, U 0.01-25	A.....
C	822	87-012-286-080	CAP, U 0.01-25	A.....
C	893	87-012-286-080	CAP, U 0.01-25
C	894	87-012-286-080	CAP, U 0.01-25
C	942	87-012-168-080	C-CAP, U 6P-50 CH
C	941	87-012-180-080	C-CAP, U 22P-50 CH
C	945	87-012-286-080	CAP, U 0.01-25
C	940	87-012-286-080	CAP, U 0.01-25
C	947	87-012-286-080	CAP, U 0.01-25
C	943	87-012-286-080	CAP, U 0.01-25
C	944	87-014-051-080	CAPACITOR (PP), 560P
C	949	87-A10-039-080	C-CAP, U 470P-50 J CH
C	959	87-010-196-080	CHIP CAPACITOR, 0.1-25	A.....
C	958	87-010-197-080	CAP, CHIP 0.01 DM
C	956	87-010-263-080	CAP, ELECT 100-10V
C	959	87-010-831-080	C-CAP, U, 0.1-16F
C	952	87-012-286-080	CAP, U 0.01-25
C	953	87-012-286-080	CAP, U 0.01-25
C	954	87-012-358-080	C-CAP, S 0.47-10 F Z
C	950	87-014-073-080	CAP, PP 4700P-100 J
C	963	87-010-196-080	CHIP CAPACITOR, 0.1-25	A.....
C	960	87-010-196-080	CHIP CAPACITOR, 0.1-25	A.....
C	962	87-010-401-080	CAP, ELECT 1-50V

ELECTRICAL PARTS LIST-3/3 (TUNER ZZA-1)<HA>

C	961	87-012-174-080	CAP CHIP CERA SS 12P CHJ	A.....
C	960	87-012-350-080	C-CAP,1-25 F
CF	802	82-785-747-010	CF MS2 GHY R
CF	801	87-008-261-010	FILTER, SFE10.7MA5-A	A.....
CF	802	87-008-261-010	FILTER, SFE10.7MA5-A	A.....
CF	801	87-008-423-010	CERAMIC FILTER, SFE10.7
D	944	87-020-465-080	DIODE,1SS133 (110MA)
D	941	87-020-465-080	DIODE,1SS133 (110MA)
D	942	87-A40-270-080	C-DIODE,MC2838
D	981	87-A40-618-080	VARI-CAP,SVC 348(S/T)
FFE	801	A8-6ZA-191-130	6ZA-1 FEENM
FFE	801	A8-6ZA-192-030	6ZA-1 FEJNM
FFE	801	A8-6ZA-199-170	6ZA-1 FEENC
FFE	801	A8-6ZA-19A-070	6ZA-1 FEJNC
FFE	801	A8-6ZA-19D-070	6ZA-1 YFEJNC
FFE	801	A8-8ZA-190-030	8ZA-1 FEUNM
FFE	801	A8-8ZA-191-030	8ZA-1 YFEUNM	A.....
FFE	801	A8-8ZA-192-070	8ZA-1 FEUNC
FFE	801	A8-8ZA-193-070	8ZA-1 YFEUNC
J	801	87-033-241-010	TERMINAL,ANT AJ-2039
J	801	87-A60-702-010	TERMINAL,ANT 4P CJ-9036	A.....
J	801	87-A60-703-010	TERMINAL,ANT 3P CJ-9037
J	940	81-754-629-010	CONNECTOR, 2P
L	832	87-005-847-080	COIL,2.2UH(CECS)
L	942	87-A50-019-010	COIL,OSC LW(COI)
L	941	87-A50-020-010	COIL,ANT LW(COI)
L	941	87-A50-022-010	COIL,ANT SW(COI)
L	944	87-A50-159-010	COIL,10MH K C2B
L	942	87-A50-173-010	COIL,OSC SW-N(COI)
L	943	87-A50-432-010	COIL,1MH K CW
L	981	87-A50-430-010	COIL,ANT MW(3BSW)
L	982	87-A50-431-010	COIL,OSC MW(3BSW)
L	981	8Z-ZA1-664-010	COIL,AM PACK 4(TOK)	A.....
L	981	8Z-ZA1-665-010	COIL,AM PACK 2(TOK)
Q	712	87-A30-072-080	C-TR,RT1P 144C	A.....
Q	805	89-327-143-080	TR,2SC2714 (0.1W)	A.....
Q	941	87-A30-074-080	C-TR,RT1P 141C
Q	943	87-A30-075-080	C-TR,2SA1235F
Q	942	87-A30-075-080	C-TR,2SA1235F
Q	945	87-A30-076-080	C-TR,2SC3052F
Q	949	87-A30-076-080	C-TR,2SC3052F
Q	944	87-A30-076-080	C-TR,2SC3052F
Q	946	87-A30-086-070	C-TR,CSD1306E
Q	948	87-A30-086-070	C-TR,CSD1306E
Q	947	89-503-602-080	C-FET,2SK360E
Q	947	89-505-434-540	C-FET,2SK543(4/5)
Q	951	87-A30-074-080	C-TR,RT1P 141C
Q	950	87-A30-086-070	C-TR,CSD1306E
Q	952	87-A30-086-070	C-TR,CSD1306E
TC	942	87-011-164-010	CAPACITOR,TRIMMER 30P
TC	941	87-011-220-080	TRIMMER CAP 20P VTC
TC	943	87-011-221-080	CAP, TRIMMER 30P

MECHANICAL PARTS LIST- 1/2 <HA>

NOTE: The characters in the suffix column indicate the part usage.

REF.NO	PARTS NO.	NO.	DESCRIPTION	SUFFIX
HASC2M(555)	XX	N.....
		KANRI		
82-NF6-067-010			BADGE,AIWA 30N	ABCDEFGHIJKLMN.....
86-NFZ-001-010			WINDOW, TOP	ABCDEFGHIJKLMN.....
8Z-NB8-011-010			PANEL, LEFT V-2	AB.....
8Z-NB8-011-110			PANEL, LEFT V-2	..CDEFGHIJKLMN.....
8Z-NF8-001-010			CABI, FR U	AB..E.....
8Z-NF8-002-010			CABI, REAR USTNM	.B.....
8Z-NF8-002-110			CABI, REAR USTNM
8Z-NF8-003-010			BOX, CASS 1U	AB.....
8Z-NF8-004-010			BOX, CASS 2U	AB..EF.....
8Z-NF8-021-010			WINDOW, CASS 1	ABCDEFGHIGH...LMN.....
8Z-NF8-022-010			WINDOW, CASS 2	ABCDEFGHIGH...LMN.....
8Z-NF8-023-010			WINDOW, DISP U	AB.....
8Z-NF8-024-010			WINDOW, CD	ABCDEFGHIGH...LMN.....
8Z-NF8-025-010			PANEL, TRAY U	ABCDEFGHIGHJKLMN.....
8Z-NF8-033-010			CABI, FR H	..CD..GH...LMN.....
8Z-NF8-034-010			WINDOW, DISP H	..CD..G...LMN.....
8Z-NF8-035-010			WINDOW, DISP KE.....
8Z-NF8-036-010			WINDOW, DISP EF.....
8Z-NF8-037-010			BOX, CASS 1H	..CDEFGH...LMN.....
8Z-NF8-038-010			BOX, CASS 2H	..CD..GH...LMN.....
8Z-NF8-040-010			CABI, FR EF.....
8Z-NF8-041-010			CABI, REAR HRJSTNM	..D..G.....
8Z-NF8-041-110			CABI, REAR HRJSTNM
8Z-NF8-042-010			CABI, REAR LHSTNM	..C.....
8Z-NF8-042-110			CABI, REAR LHSTNM
8Z-NF8-043-010			CABI, REAR KSTNEI.....
8Z-NF8-043-110			CABI, REAR KSTNE
8Z-NF8-044-010			CABI, REAR EZSTNEJ.....
8Z-NF8-044-110			CABI, REAR EZSTNE
8Z-NF8-045-110			CABI, REAR ST
8Z-NF8-046-010			CABI, REAR VJSTNM
8Z-NF8-046-110			CABI, REAR VJSTNM
8Z-NF8-047-010			CABI, REAR USTFD	A.....
8Z-NF8-047-110			CABI, REAR USTFD
8Z-NF8-052-010			CABI, FR D
8Z-NF8-053-010			WINDOW, DISP D
8Z-NF8-054-010			CABI, REAR EZSTE RK.....
8Z-NF8-054-110			CABI, REAR EZSTE R
8Z-NF8-055-010			CABI, REAR LHSTFD
8Z-NF8-055-110			CABI, REAR LHSTFD
8Z-NF8-056-010			CABI, REAR EZSTME.....
8Z-NF8-056-110			CABI, REAR EZSTM
8Z-NF8-057-010			CABI, REAR EZSTM RF.....
8Z-NF8-057-110			CABI, REAR EZSTM R
8Z-NF8-058-010			CABI, REAR STM
8Z-NF8-058-110			CABI, REAR STM
8Z-NF8-059-010			CABI, REAR LHSTM KITH.....
8Z-NF8-059-110			CABI, REAR LHSTM KITN.....
8Z-NF8-060-010			WINDOW, DISP 559KITH.....
8Z-NF8-064-010			CABI, REAR HRSTM
8Z-NF8-064-110			CABI, REAR HRSTML.....
8Z-NF8-065-010			CABI, REAR HRJSC1M
8Z-NF8-065-110			CABI, REAR HRJSC1MM.....
8Z-NF8-068-010			BOX, CASS 1 E
8Z-NF9-042-010			PANEL, TOP V-2	ABCDEFGHIJKLMN.....
8Z-NF9-043-010			PANEL, RIGHT S V-2	ABCDEFGHIJKLMN.....
8Z-NF8-005-010			KEY, POWER	ABCDEF.....
8Z-NF8-005-110			KEY, POWERGH...LMN.....
8Z-NF8-006-010			KEY, CD	ABCDEFGHIGH...LMN.....
8Z-NF8-007-010			REFLECTOR, ECO	ABCDEFGHIGH...LMN.....
8Z-NF8-008-010			KEY, TIMER	ABCDEFGHIGH...LMN.....
8Z-NF8-009-010			KEY, EDIT	AB..EF.....
8Z-NF8-010-010			KEY, ASSY FUN	ABCDEFGHIGH...LMN.....
8Z-NF8-013-010			KEY, ASSY PLAY	..CDEFGH...LMN.....
8Z-NF8-016-010			KEY, ASSY PAUSE	ABCDEFGHIGH...LMN.....
8Z-NF8-020-010			KEY, RDSF.....
8Z-NF8-026-010			KNOB, RTRY JOG	ABCDEFGHIGH...LMN.....
8Z-NF8-027-010			KNOB, RTRY VOL	ABCDEFGHIGH...LMN.....
8Z-NF8-028-010			KNOB, RTRY MIC	..CD..GH...LMN.....
8Z-NF8-029-010			REFLECTOR, JOG	ABCDEFGHIGH...LMN.....
8Z-NF8-030-010			KEY, ASSY PLAY U	AB.....
8Z-NF8-048-010			KEY, EDIT H	..CDEFGH...LMN.....
8Z-NF8-049-010			KEY, ECHO U	AB.....
8Z-NF8-050-010			KEY, KARAOKE	..CD..GH...LMN.....
8Z-NF8-063-010			KEY, TIMER D
81-532-080-010			LABEL, CASS. COMPT	ABCDEFGHIGH...LMN.....
87-NF6-616-010			CONN ASSY, 8P RPB	..CD..GH...LMN.....
84-ZG1-245-210			CAP, OPTICAL	ABCDEFGHIJKLMN.....
82-NF5-218-010			SPR-T, EJECT 1 (SIN)	ABCDEFGHIJKLMN.....
82-NF5-219-010			SPR-T, EJECT 2 (SIN)	ABCDEFGHIJKLMN.....
82-NF5-229-010			PLATE, LOCK	ABCDEFGHIGH...LMN.....
86-NF9-224-010			SPR-C, LOCK	ABCDEFGHIGH...LMN.....
87-064-185-010			HLDR, WIRE	..CDEFGHIJKLMN.....
87-NF4-216-010			HLDR, LOCK 1	ABCDEFGHIGH...LMN.....
87-NF4-217-010			HLDR, LOCK 2	ABCDEF.....
87-NF4-217-110			HLDR, LOCK 2GH...LMN.....

MECHANICAL PARTS LIST- 2/2 <HA>

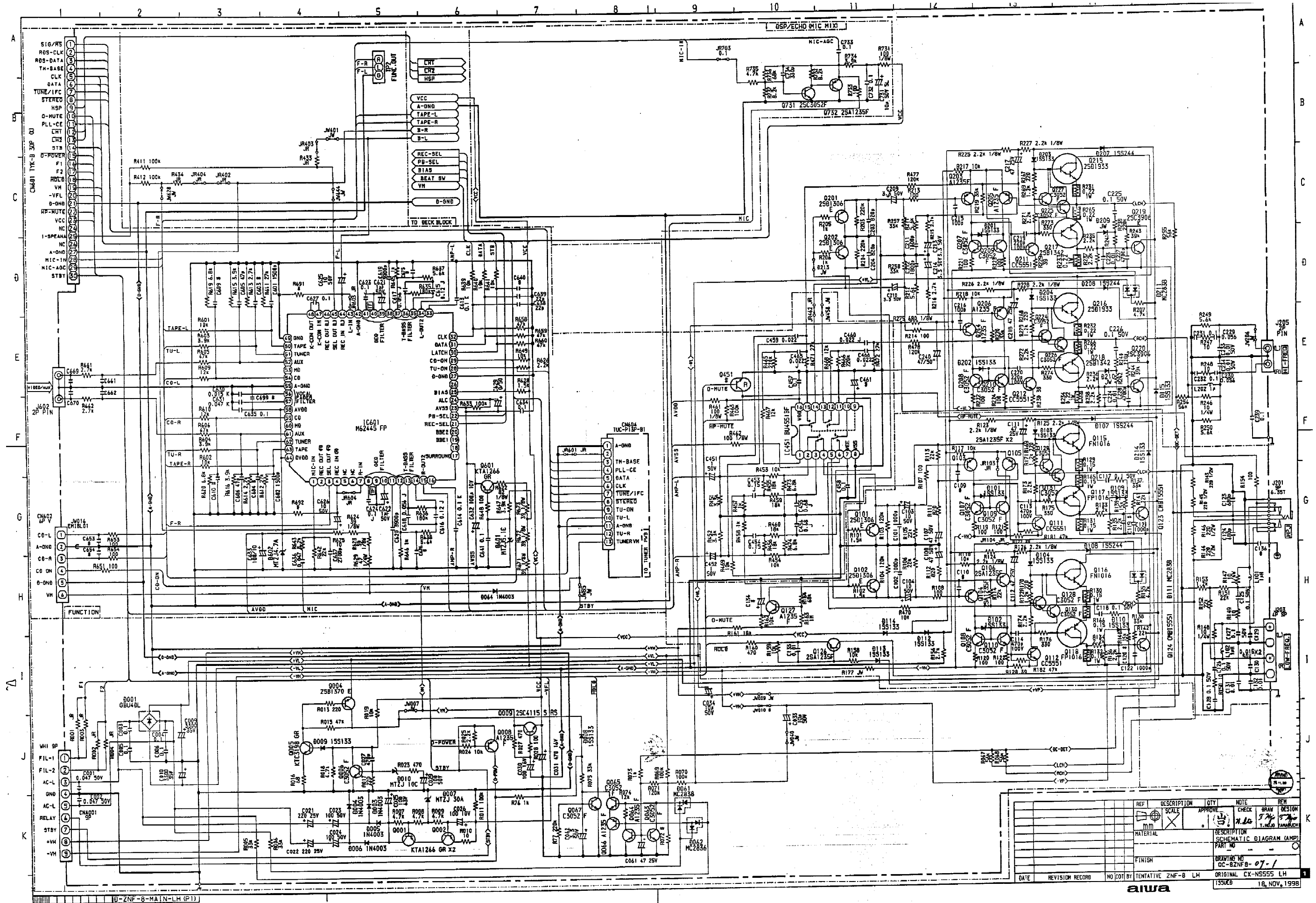
	87-NF4-221-010	HLDR ,CABLE	AB.DEFG.IJK.....
	87-NF8-220-010	DMPR,150	ABCDEFGH...LMN.....
	88-NF5-208-010	HLDR,PWB-M N	ABCDEFGH.IJKLMN.....
	8Z-NB8-240-010	COVER, PL	ABCDEFGH.IJKLMN.....
	8Z-NF8-205-010	HLDR,HT-SINK	ABCDEF.....
	8Z-NF8-205-110	HLDR,HT-SINKGHIJKLMN.....
	8Z-NF9-204-010	PLATE,MIC	..CD..GH...LMN.....
	87-067-581-010	TAPPING SCREW, BVT2+3-15	..CDEFGHIJKLMN.....
	87-067-641-010	UTT2+3-8(W/O SLOT)BL	..CDEFGHIJKLMN.....
	87-067-688-010	BVTT+3-6	ABCDEFGH.IJKLMN.....
	87-067-703-010	TAPPING SCREW, BVT2+3-10	ABCDEFGH.IJKLMN.....
	87-067-758-010	BVT2+3-12 W/O SLOT	..CDEFGHIJKLMN.....
	87-067-822-010	BVT2+3-20 W/O SLOT	..DEFG.IJK.....
	87-067-975-010	S-SCREW,IT+4-8	AB.....
	87-078-191-010	S-SCREW,IT+4-10	..CDEFGHIJKLMN.....
	87-721-096-410	QT2+3-10 GLD	ABCDEFGH.IJKLMN.....
	87-721-097-410	QT2+3-12 GLD	ABCDEFGH.IJKLMN.....
	87-B10-184-010	BVTT+3-20 W/O SLOT
	87-NF4-224-010	S-SCREW,IT3B+3-8 CU	ABCDEFGH.IJKLMN.....
	87-050-034-010	AC CORD ASSY,EIJK.....
	87-050-079-010	AC-CORD ASSY,E	..CDEFGH...LM.....
	87-050-098-010	AC CODE ASSY,D
	87-085-184-010	BUSHING, AC CORD (D)
	87-085-185-010	BUSHING, AC CORD (E)	..CDEFGHIJKLMN.....
	87-085-189-010	BUSHING, CORD (U)	AB.....
	87-099-811-010	PLUG,ADPTR CONV(K)I.....
	87-A80-105-010	AC CORD ASSY,AZN.....
	87-A80-110-010	AC CORD ASSY,U SPT-2W	AB.....
	87-A90-796-010	FAN,F614R-12MC-15-300MM	..CDEF...I.....
	88-906-251-110	FF-CABLE,6P 1.25	ABCDEFGH.IJKLMN.....
	88-911-101-110	FF-CABLE,11P 1.25	AB..EF.....
	88-913-301-110	FF-CABLE,13P-1.25	ABCDEFGH...LMN.....
	88-915-101-110	FF-CABLE, 15P 1.25 100MM	..CD..GH...LMN.....
	8Z-NF8-604-010	PT,ZNF-8U	AB.....
	8Z-NF8-605-010	PT,ZNF-8HR	..D..G...LM.....
	8Z-NF8-606-010	PT,ZNF-8EZ	..EF..IJK.....
	8Z-NF8-608-010	PT,ZNF-8D
	8Z-NF8-609-010	PT,ZNF-8LH	..C...H...N.....
C	705	87-012-349-080	..CDEFGHIJKLMN.....
		88-NF8-205-010	ABCDEFG...LMN.....
		87-067-579-010	AB.....
		87-067-703-010	..EF..IJK.....
WH	1	87-A90-510-010	ABCDEFGH.IJKLMN.....
		87-067-703-010	ABCDEFGH.IJKLMN.....

ACCESSORIES / PACKAGE LIST- 1/1 <HA>

NOTE: The characters in the suffix column indicate the part usage.

REF.NO	PARTS NO.	NO.	DESCRIPTION	SUFFIX
HASC2M(555)		XX		N
		KANRI		
8Z-NF8-901-010			IB,H(ECA)M	...D.....
8Z-NF8-901-110			IB,H(ECA)M	...G...L.....
8Z-NF8-902-010			IB,LH(ESP)M	...C.....
8Z-NF8-903-010			IB,U(ESF)M	AB.....
8Z-NF8-903-110			IB,U(ESF)M
8Z-NF8-905-010			IB,K(E)EI.....
8Z-NF8-906-010			IB,EZ(9L)E NO RDS-S555J.....
8Z-NF8-907-010			IB,V(ER)M
8Z-NF8-908-010			IB,D(J)M
8Z-NF8-909-010			IB,EZ(9L)E RDS-S556K.....
8Z-NF8-911-010			IB,H(ECA)DIS
8Z-NF8-916-010			IB,EZ(9L)M NO RDS-S555	...E.....
8Z-NF8-918-010			IB,D(J)I
8Z-NF8-919-010			IB,EZ(9L)M RDS-S556	...F.....
8Z-NF8-912-010			IB,LH(P)KITH.....
8Z-NF8-920-010			IB,H(T)M-KITM.....
8Z-NF8-923-010			IB,HA(KIT)MN.....
87-006-225-010			AM LOOP ANT NC2	.BC.EF.HIJK.....
87-006-268-010			AM-LOOP ANT NC (UN)	A.....
87-006-269-010			AM LOOP ANT (UN)	...D..G.....
87-043-095-010			WIRE ANTENNA	...D..G...LM.....
87-043-106-010			WIRE, FM ANT (Z)	...EF..IJK.....
87-043-115-010			ANT,FEEDER FM	ABCD..GH...LMN.....
87-099-789-010			PLUG,ADPTR IR44	..CD..G.....
87-A90-030-010			ANT,LOOP AM-NC CN.....
87-A90-054-010			ANT,LOOP AM-CON CLM.....
87-A91-017-010			PLUG,CONVERSION JT-0476LM.....
8Z-NF8-701-010			RC UNIT,RC-ZAS01	ABC.....
8Z-NF8-701-110			RC UNIT,RC-ZAS01	...DEFGH...LMN.....
8Z-NF8-702-010			RC UNIT,RC-ZAS01IJK.....

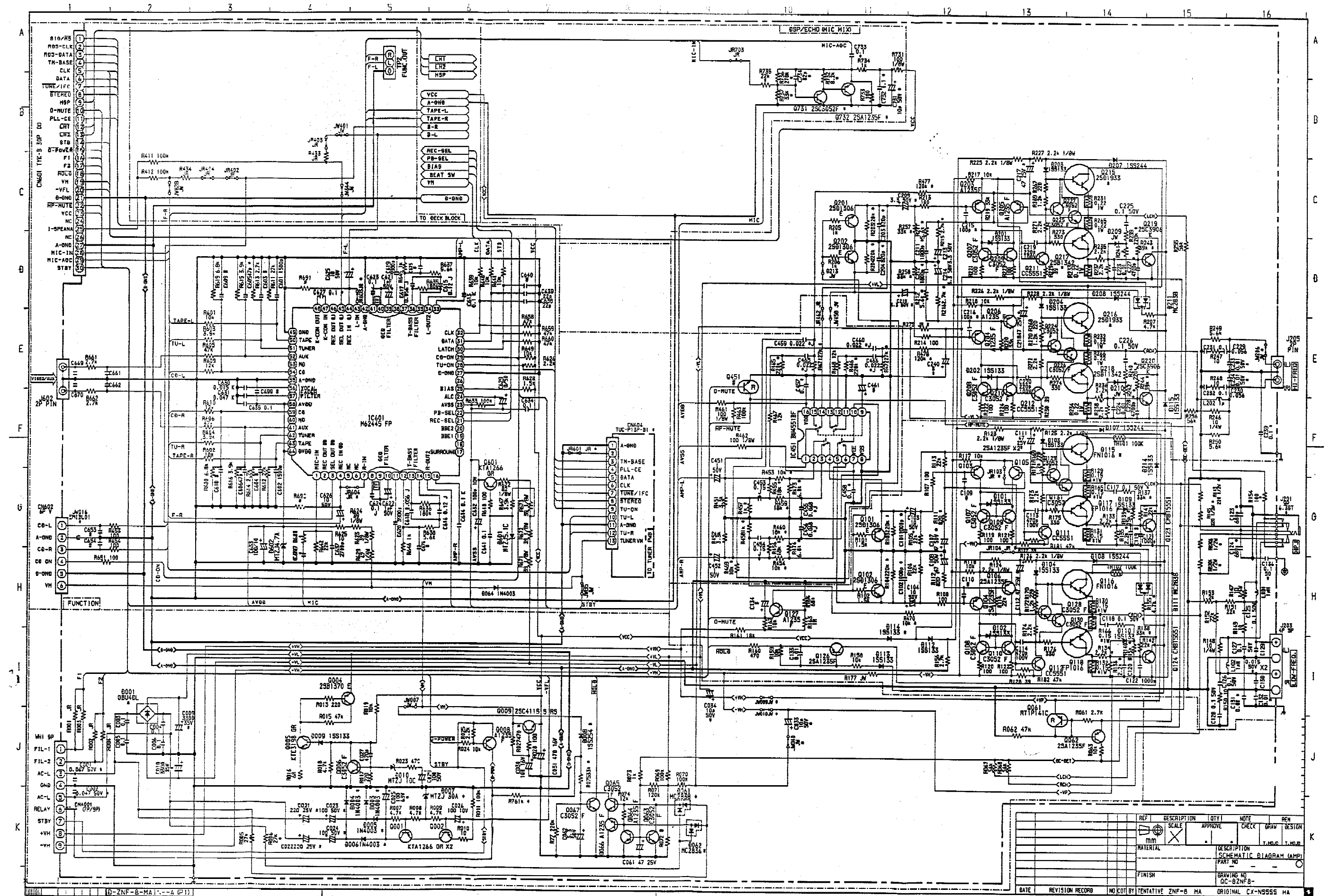
SCHEMATIC DIAGRAM - 1 (MAIN)<LH>



REV.	DESCRIPTION	QTY	NOTE	REV.
1	SCHEMATIC DIAGRAM (AMP)			
2	REVISION RECORD			
3	NO. OF REV.			
4	TENTATIVE			
5	ZNF-8 LH			
6	ORIGINAL CX-N555 LH			
7	ISSUED			
8	18, NOV, 1998			

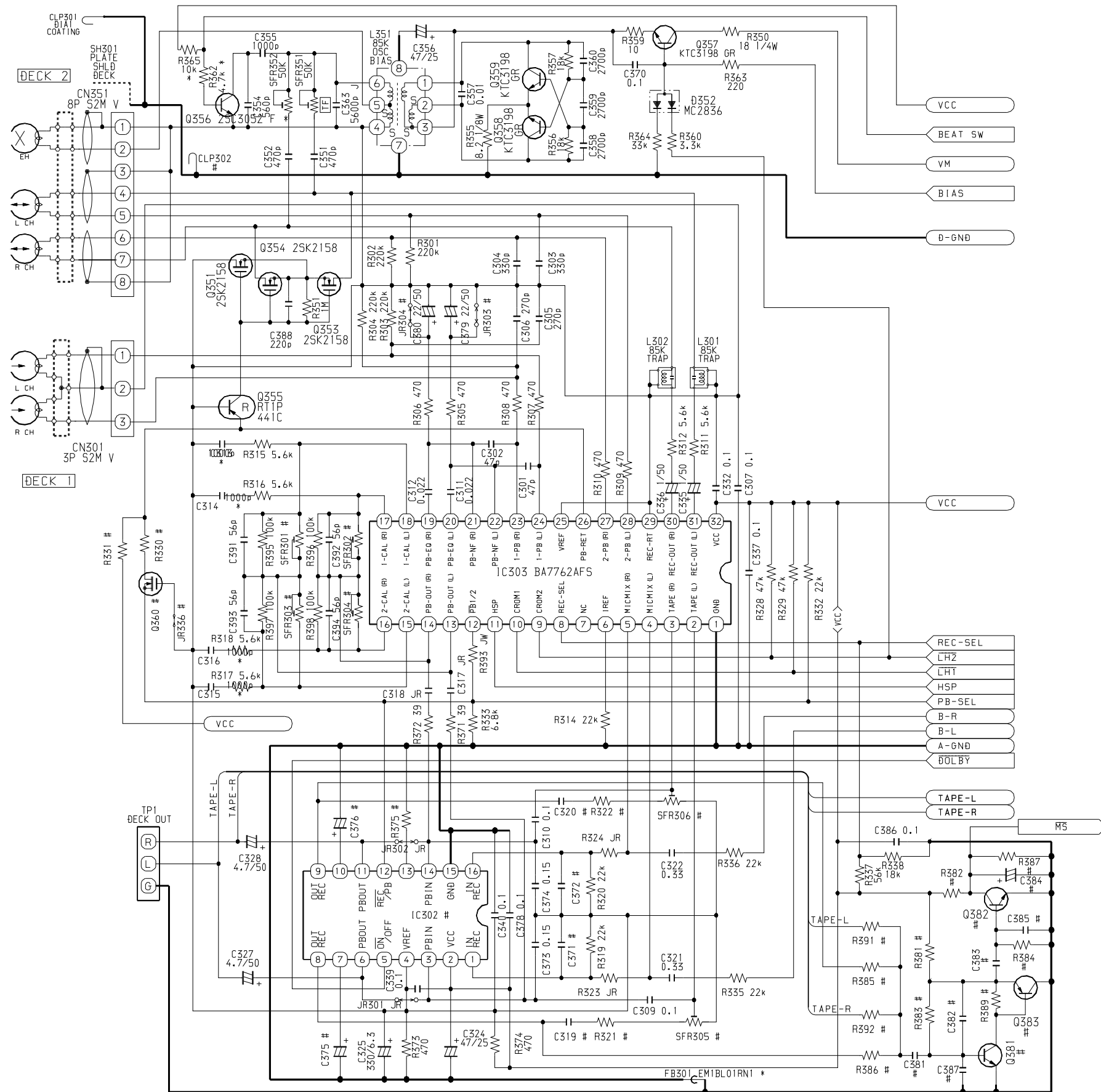
AWA

SCHEMATIC DIAGRAM - 2 (MAIN) <HA>



REF	DESCRIPTION	QTY	NOTE	REV
	SCALE		APPROVE	CHECK
	MATERIAL		DESIGN	DRAW
	FINISH		DATE	REVISION RECORD
			NO. KOTY	TENTATIVE
			ZNF-B HA	ORIGINAL
			CX-N555 HA	ISSUED
			29 JAN 1999	

SCHEMATIC DIAGRAM - 3 (DECK)



T-ZNF-8-MAIN-ALL (P2)

	HR. LH. D	OTHERS
JR303	X	X
JR304	X	X
C379	22/25	22/50
C380	22/50	22/50
C313	1000P	1500P
C314	1000P	1500P
R315	5.6K	5.6K
R316	5.6K	5.6K
C315	1000P	2200P
C316	1000P	2200P
R317	5.6K	5.6K
R318	5.6K	5.6K
C391	56P	56P
C392	56P	56P
C393	56P	56P
C394	56P	56P
R395	100K	100K
R396	100K	100K
R397	100K	100K
R398	100K	100K
SFR301	X	X
SFR302	X	X
SFR303	X	X
SFR304	X	X
C317	C-JR	C-JR
C318	C-JR	C-JR
R371	39	39
R372	39	39
C375	X	X
C376	X	X
R375	X	X
JR301	C-JR	C-JR
JR302	C-JR	C-JR

	USE	USE
	BA7762AF5	HA12211
Q360	X	ZSK2158
R330	X	C-JR
R331	X	33K
JR336	X	C-JR

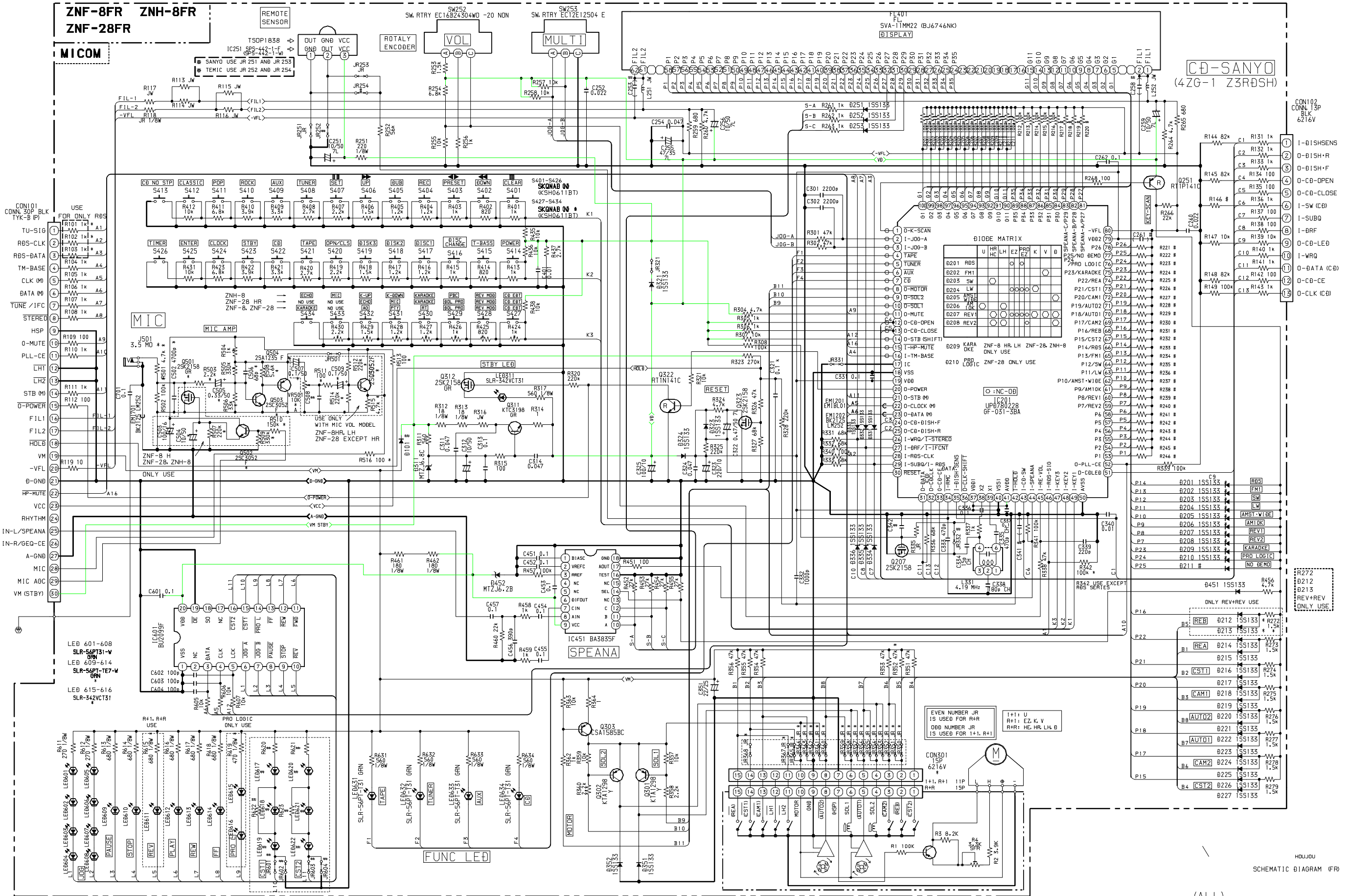
	EZ K	EXCEPT
	MODEL	EZ K
Q356	2SC3052F	X
R362	4.7K	X
R365	10K	X

	EZ K	EXCEPT
	MODEL	EZ
FB301	EM1BL01RN1	JW

T.HOJO YAMAGUCHI
SCHEMATIC DIAGRAM (DECK)

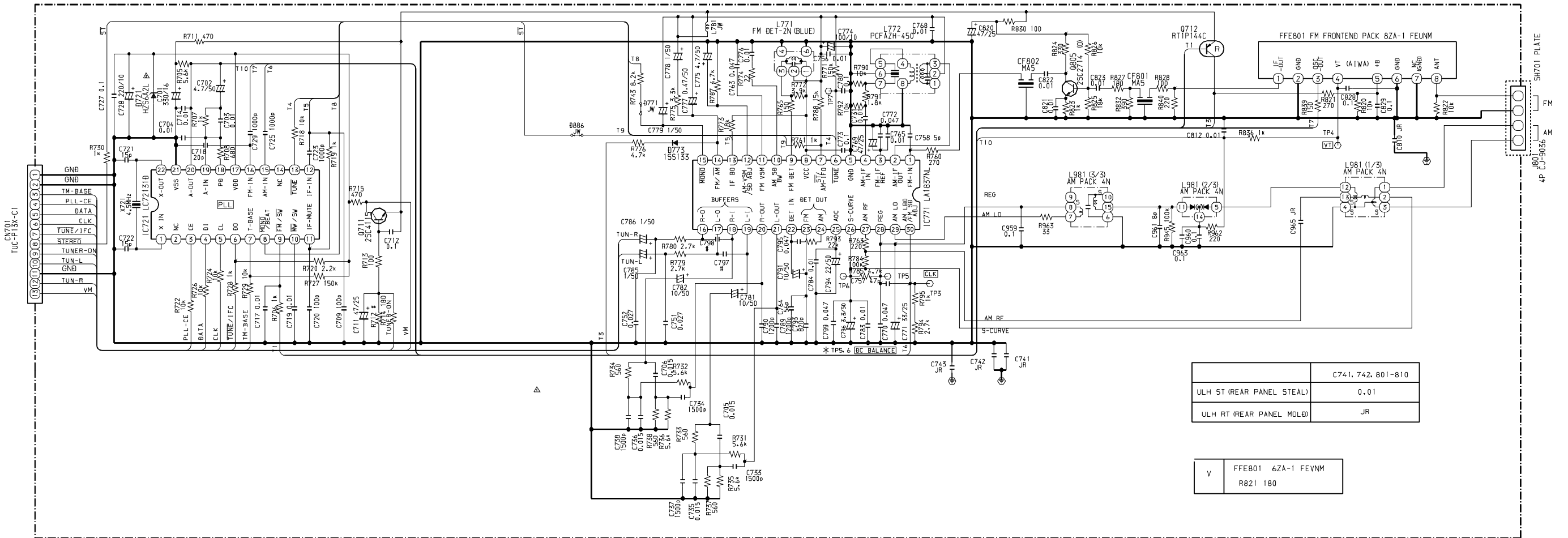
QC-8ZNF8-
ZNF-8 LH CX-NS555 LH
30 OCT 98

SCHEMATIC DIAGRAM - 4 (FRONT)



(ALL) QC-BZNF8-ZNF-8 20 OCT 1998

SCHEMATIC DIAGRAM - 5 (TUNER)



	C741, 742, 801-810
ULH ST (REAR PANEL STEAL)	0.01
ULH RT (REAR PANEL MOLDED)	JR

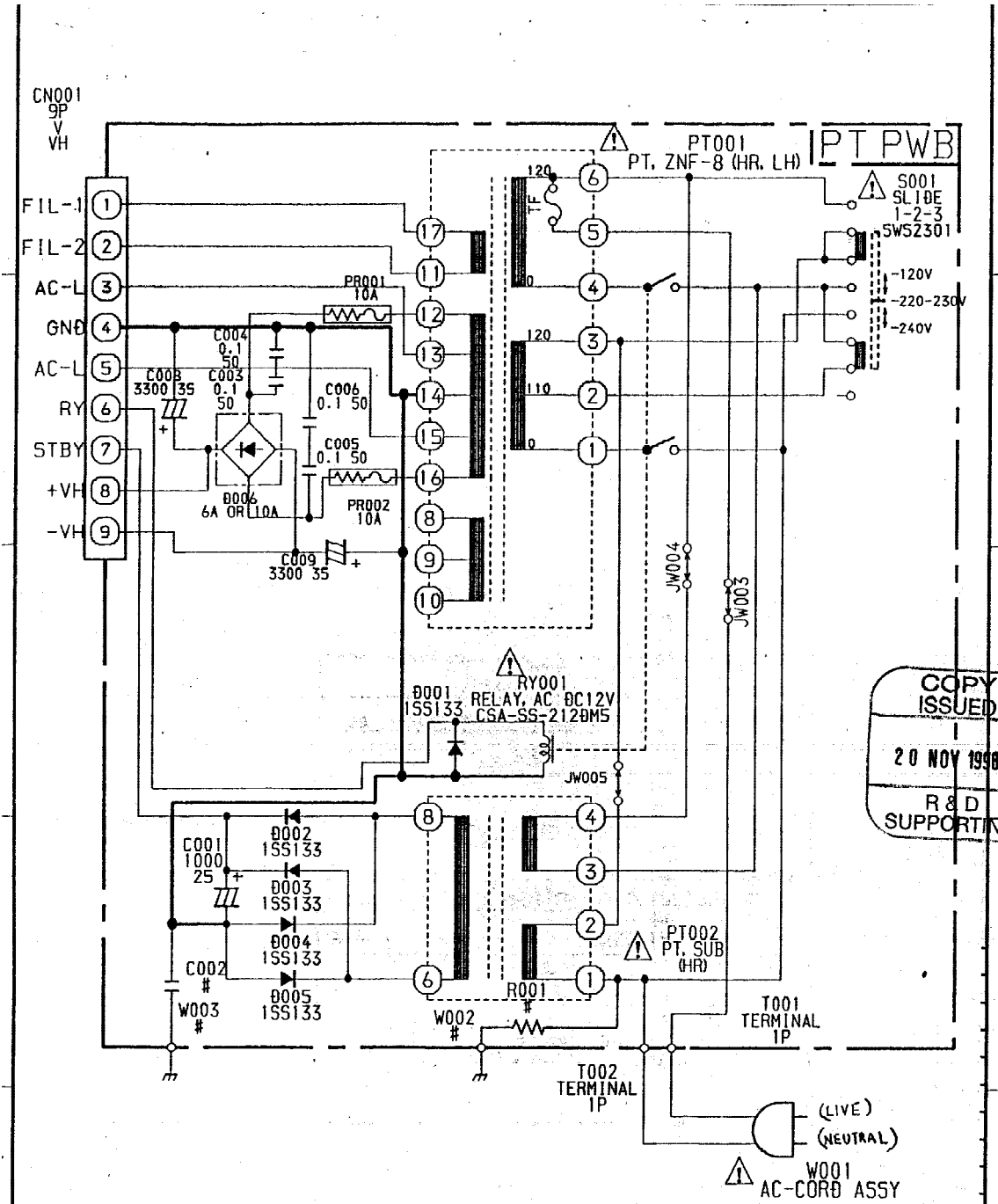
V	FFE801 6ZA-1 FEVNM R821 180
---	--------------------------------

B-ZZA-1-ULH

981021 CHANGE 0721
M7J5.6A -> H256A2L
981001 CANCEL C894 JR

94V0 I=1.6
FENORIC 130C
8Z ZA1 621 11
GC-BZZA1-02-1

SCHEMATIC DIAGRAM - 6 (POWER SUPPLY)



COPY
ISSUED
20 NOV 1998
R & D
SUPPORTING

REF	DESCRIPTION	QTY	NOTE	REM
	SCALE	APPROVE	CHECK	DRAW
	m/m			DESIGN
MATERIAL			DESCRIPTION	
			SCHEMATIC DIAGRAM (PT)	
			PART NO	
FINISH			DRAWING NO	
			60-82N/18-06-1	
DATE	REVISION RECORD	NO	COT BY	TENTATIVE ZNF-8 HR LH ORIGINAL CX-NS555 HR LH
				4

サービス技術ニュース	
番号	連絡内容
G- -	
G- -	
G- -	

アイワ株式会社
AIWA CO.,LTD.

9820527

Tokyo Japan

〒110-8710 東京都台東区池之端1-2-11 ☎03(3827)3111 (代表)

Printed in Singapore