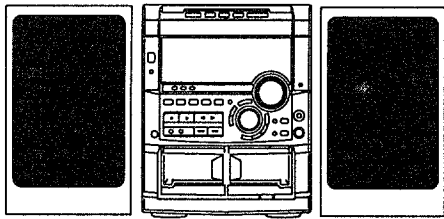


aiwa



NSX-A777 NSX-S777 NSX-A767



COMPACT DISC STEREO
CASSETTE RECEIVER

- BASIC TAPE MECHANISM : 2ZM-3MK2 PR4NM
- BASIC CD MECHANISM : 4ZG-1 Z3RDSHM

- TYPE : U (A777, A767)
LH (S777)

REVISION PUBLISHING

SYSTEM	CD CASSEIVER	SPEAKER	REMOTE CONTROLLER
NSX-A777	CX-NA777	SX-WNA777	RC - ZAS01
NSX-S777	CX-NS777	SX-WNS777	
NSX-A767	CX-NA767	SX-NA772 SX-R275	

- This Service Manual is the "Revision Publishing" and replaces "Simple Manual" NSX-A777/S777/A767 (U, LH) (S/M Code No. 09-991-403-5T1).
- If requiring information about the CD mechanism, see Service Manual of 4ZG-1, S/M Code No. 09-983-249-3S2.

MANUAL
SERVICE

TABLE OF CONTENTS

SPECIFICATIONS	3
NOTE ON BEFORE STARTING REPAIR	4, 5
PROTECTION OF EYES FROM LASER BEAM DURING SERVICING	6
PRECAUTION TO REPLACE OPTICAL BLOCK	6
ELECTRICAL MAIN PARTS LIST	7 ~ 11
TRANSISTOR ILLUSTRATION	12
BLOCK DIAGRAM - 1 (MAIN / FRONT)	13, 14
BLOCK DIAGRAM - 2 (TUNER)	15
IC BLOCK DIAGRAM - 1	16
WIRING - 1 (MAIN : 777U, LH)	17, 18
SCHEMATIC DIAGRAM - 1 (MAIN 1 / 2 : AMP : 777U, LH)	19 ~ 21
SCHEMATIC DIAGRAM - 2 (MAIN 1 / 2 : AMP : 767U)	22 ~ 24
WIRING - 2 (MAIN : 767U)	25, 26
IC BLOCK DIAGRAM - 2	27, 28
FL (BJ679GK) GRID ASSIGNMENT & ANODE CONNECTION	29, 30
WIRING - 3 (FRONT)	31, 32
SCHEMATIC DIAGRAM - 3 (FRONT)	33 ~ 35
SCHEMATIC DIAGRAM - 4 (TUNER FRONT END)	36
SCHEMATIC DIAGRAM - 5 (TUNER)	37, 38
WIRING - 4 (TUNER)	39
WIRING - 5 (DECK)	40
SCHEMATIC DIAGRAM - 6 (MAIN 2 / 2 : DECK)	41, 42
WIRING - 6 (PT : 777U)	43
SCHEMATIC DIAGRAM - 7 (PT : 777U)	44
WIRING - 7 (PT : 767U)	45
SCHEMATIC DIAGRAM - 8 (PT : 767U)	46
WIRING - 8 (PT : LH)	47
SCHEMATIC DIAGRAM - 9 (PT : LH)	48
IC DESCRIPTION	49 ~ 51
IC BLOCK DIAGRAM - 3	52
ADJUSTMENT <TUNER / DECK / FRONT>	53 ~ 55
PRACTICAL SERVICE FIGURE	56
MECHANICAL EXPLODED VIEW 1 / 1	57, 58
MECHANICAL PARTS LIST 1 / 1	59
TAPE MECHANISM EXPLODED VIEW 1 / 1	60, 61
TAPE MECHANISM PARTS LIST 1 / 1	62
SPRING APPLICATION POSITION	63
SPEAKER DISASSEMBLY INSTRUCTIONS	64
SPEAKER PARTS LIST	65
ACCESSORIES / PACKAGE LIST	65
REFERENCE NAME LIST	66

SPECIFICATIONS

<FM Tuner section>

Tuning range 87.5 MHz to 108 MHz
Usable sensitivity(IHF) 13.2 dBf
Antenna terminals 75 ohms (unbalanced)

<AM Tuner section>

Tuning range 531 kHz to 1602 kHz (9 kHz step)
 530 kHz to 1710 kHz (10 kHz step)
Usable sensitivity 350 uV/m
Antenna Loop antenna

<Amplifier section><777U, LH>

Mid-high frequency amplifier
Power output 777U :
 15 W + 15 W
 (6 ohms, T.H.D less than 1 %, 200 Hz – 20 kHz)
 LH :
 16 W + 16 W
 (6 ohms, T.H.D 1 %, 1 kHz)
 Reference: 20 W + 20 W
 (6 ohms, T.H.D 10 %, 1 kHz)
Total harmonic distortion 0.1 %
 (10 W, 1 kHz, 6 ohms, DIN AUDIO)

Low frequency amplifier

Power output 777U :
 65 W + 65 W
 (6 ohms, T.H.D less than 1 %, 30 Hz – 200 Hz)
 LH :
 80 W + 80 W
 (6 ohms, T.H.D 1 %, 135 Hz)
 Reference: 100 W + 100 W
 (6 ohms, T.H.D 10 %, 135 Hz)
Total harmonic distortion 0.1 %

Inputs

Outputs

777U :
 (40 W, 135 Hz, 6 ohms, DIN AUDIO)
 LH :
 (50 W, 135 Hz, 6 ohms, DIN AUDIO)
VIDEO/AUX: 316 mV (adjustable)
MD: 316 mV (adjustable)
MIC: 1.8 mV (10 kohms)
SPEAKERS HIGH FREQ:
 accept speakers of 6 ohms or more
SPEAKERS LOW FREQ:
 accept speakers of 6 ohms or more
SURROUND SPEAKERS: accept
 speakers of 8 – 16 ohms
LINE OUT: 150 mV
PHONES (stereo jack) : accepts
 headphones of 32 ohms or more

<Amplifier section><767U>

Power output 80 W + 80 W
 (6 ohms, T.H.D less than 1 %, 50 Hz – 20 kHz)
Total harmonic distortion 0.1 %
 (50 W, 1 kHz, 6 ohms, DIN AUDIO)
Inputs VIDEO/AUX: 316 mV (adjustable)
 MD: 316 mV (adjustable)
 MIC: 1.8 mV (10 kohms)
Outputs **SPEAKERS:**
 accept speakers of 6 ohms or more
SURROUND SPEAKERS: accept
 speakers of 8 – 16 ohms
SUPER WOOFERS: 2.2 V
LINE OUT: 150 mV
PHONES (stereo jack) : accepts
 headphones of 32 ohms or more

<Cassette deck section>

Track format 4 tracks, 2 channels stereo
Frequency response CrO2 tape: 50 Hz – 16000 Hz
 Normal tape: 50 Hz – 15000Hz
Recording system AC bias
Heads Deck 1 : Playback head x 1
 Deck 2 : Recording/Playback head
 x 1, erase head x 1

<Compact disc player section>

Laser Semiconductor laser ($\lambda = 780 \text{ nm}$)
D-A converter 1 bit dual
Signal-to-noise ratio 85 dB (1 kHz, 0 dB)
Harmonic distortion 0.05 % (1 kHz, 0 dB)
Wow and flutter Unmeasurable

<General>

Power requirements 777U, 767U: 120 V AC, 60 Hz
 LH: 120 V/220 – 230 V/240 V AC
 switchable, 50/60 Hz
Power consumption 777U, 767U: 110 W
 LH: 145 W
Dimensions of main unit 260 x 330 x 360 mm
 (10¹/₄ x 13 x 14¹/₄ in.)
Weight of main unit 777U: 7.5 kg (16 lbs. 9 oz)
 767U: 7.7 kg (17 lbs)
 LH: 8.7 kg
Standby power consumption If the power – economizing mode is
 OFF:
 777U, 767U: 20 W
 LH: 21 W
 If the power – economizing mode is
 ON:
 1.5 W

<Speaker system SX-NA772<767U>>

Cabinet type 3 way, Bass reflex
 (magnetic shielded type)
Speakers Woofer:
 160 mm (6³/₈ in.) cone type
 Tweeter:
 50 mm (2 in.) cone type
 Super Tweeter :
 20 mm (1³/₁₆ in.) ceramic type
Impedance 6 ohms
Output sound pressure level 87 dB/W/m
Dimensions (W x H x D) 234 x 324 x 270 mm
 (9¹/₄ x 12⁷/₈ x 10³/₄ in.)
Weight 4.2 kg (9 lbs. 4 oz)

<Speaker system SX-WNA777<777U>, SX-WNS777<LH>>

Cabinet type 3 way, built-in subwoofer
 (magnetic shielded type)
Speakers Subwoofer :
 160 mm (6³/₈ in.) cone type
 Full range :
 777U: 120 mm (4³/₄ in.) cone type
 LH: 100 mm cone type
 Super Tweeter :
 20 mm (1³/₁₆ in.) ceramic type
Impedance 6 ohms / 6 ohms
Output sound pressure level 87 dB/W/m
Dimensions (W x H x D) 240 x 324 x 270 mm
 (9¹/₂ x 12⁷/₈ x 10³/₄ in.)
Weight 5.0 kg (11 lbs.)

• Design and specifications are subject to change without notice.

• The word "BBE" and the "BBE symbol" are trademarks of BBE Sound, Inc.
 Under license from BBE Sound, Inc.

NOTE ON BEFORE STARTING REPAIR

1. Forced discharge of electrolytic capacitor of power supply block

When repair is going to be attempted in the set that uses relay circuit in the power supply block, electric potential is kept charged across the electrolytic capacitors (C101, 102) even though AC power cord is removed. If repair is attempted in this condition, the secondary defect can occur.

In order to prevent the secondary trouble, perform the following measures before starting repair work.

Discharge procedure

- ① Remove the AC power cord.
- ② Connect a discharging resistor at an end of lead wire that has clips at both ends. Connect the other end of the lead wire to metal chassis.
- ③ Contact the other end of the discharging resistor to the positive (+) side (+VH) of C101. (For two seconds)
- ④ Contact the same end of the discharging resistor as step ③ to the negative (-) side (-VH) of C102 in the same way. (For two seconds)
- ⑤ Check that voltage across C101 and C102 has decreased 1 V or less using a multimeter or an oscilloscope.

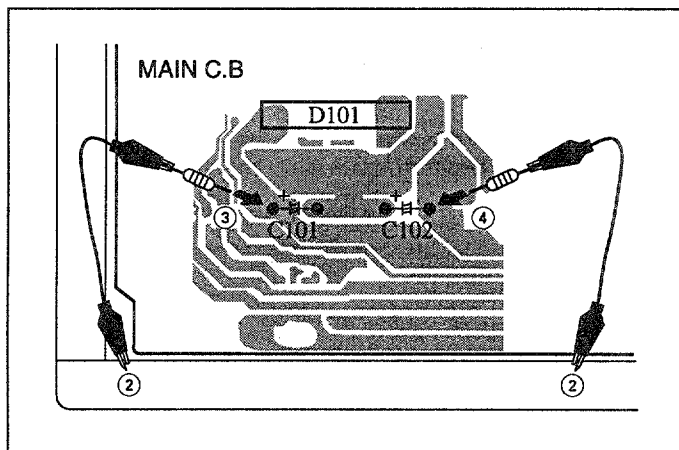


Fig-1

Select a discharging resistor referring to the following table.

Charging voltage (V) (C101, 102)	Discharging resistor (Ω)	Rated power (W)	Parts number
25-48	100	3	87-A00-247-090
49-140	220	5	87-A00-232-090

Note: The reference numbers (C101, C102) of the electrolytic capacitors can change depending on the models. Be sure to check the reference numbers of the charging capacitors on schematic diagram before starting the discharging work.

2. Check items before exchanging the MICROCOMPUTER

Be sure to check the following items before exchanging the MICROCOMPUTER. Exchange the MICROCOMPUTER after confirming that the MICROCOMPUTER is surely defective.

2-1. Regarding the HOLD terminal of the MICROCOMPUTER

When the HOLD terminal (INPUT) of the MICROCOMPUTER is "H", the MICROCOMPUTER is judged to be operating correctly. When this terminal is "L", the main power cannot be turned on. Therefore, be sure to check the terminal voltage of the HOLD terminal before exchange.

When the MICROCOMPUTER is not defective, the HOLD terminal can also go "L" when the POWER AMPLIFIER has any abnormalities that triggers the abnormality detection circuit on the MAIN C. B. that sets the HOLD terminal to "L".

• Good or no good judgement of the MICROCOMPUTER

- ① Turn on the AC main power.
- ② Confirm that the main power is turned on and the HOLD terminal of the MICROCOMPUTER keeps the "H" level or not.
- ③ When the HOLD terminal is "L" level, the abnormality detection circuit is judged to be working correctly and the MICROCOMPUTER is judged to be good.

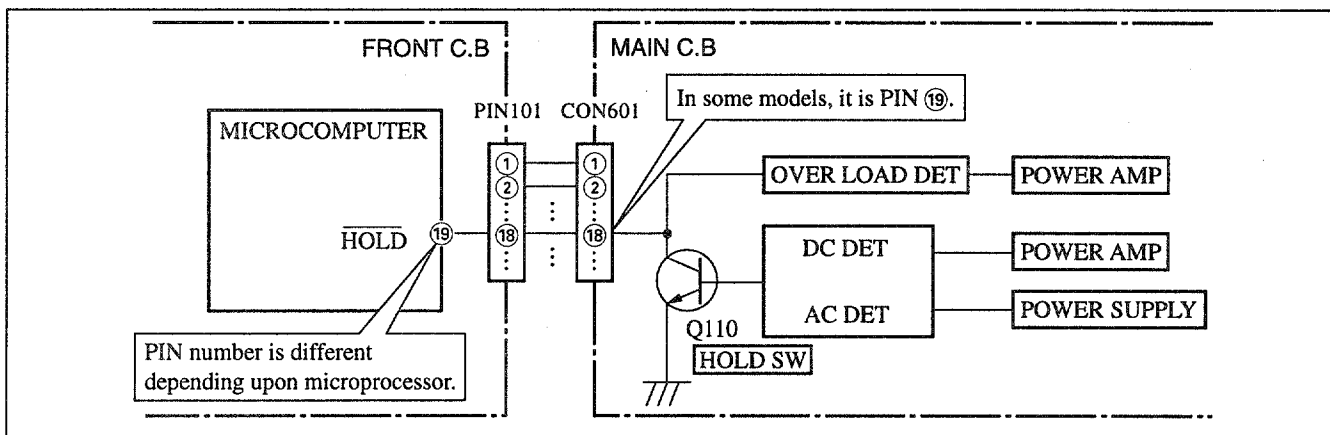


Fig-2-1

In such a case, check also if the POWER AMPLIFIER circuit or power supply circuit has any abnormalities or not.

2-2. Regarding reset

There are cases that the machine does not work correctly because the MICROCOMPUTER is not reset even though the AC power cord is re-inserted, or the software reset (pressing the STOP key + POWER key) is performed.

When the above described phenomenon occurs, it can lead to wrong judgement as if the MICROCOMPUTER is defective and to exchange the MICROCOMPUTER. In such a case, perform the forced-reset by the following procedure and check good or no good of the MICROCOMPUTER.

- ① Remove the AC power cord.

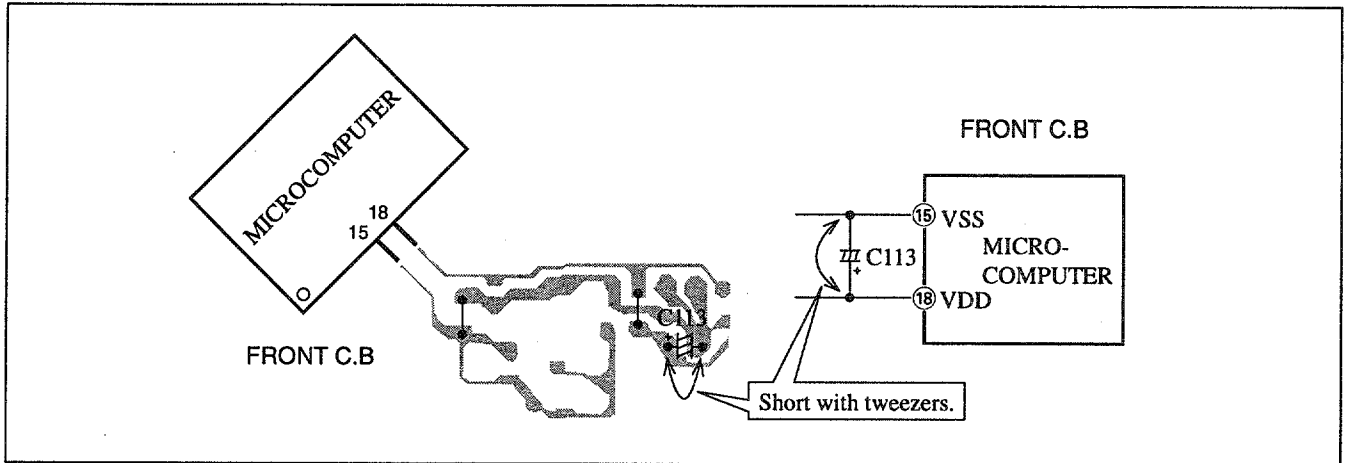


Fig-2-2

- ② Short both ends of the electrolytic capacitor C113 that is connected to VDD of the MICROCOMPUTER with tweezers.
- ③ Connect the AC power cord again. If the MICROCOMPUTER returns to the normal operation, the MICROCOMPUTER is good.

Note: The reference number or MICROCOMPUTER pin number of transistor (Q110) and electrolytic capacitor (C113) can change depending on the models. Be sure to check the reference numbers on schematic diagram before starting the discharging work.

2-3. Confirmation of soldering state of MICROCOMPUTER

Check the soldering state of the MICROCOMPUTER in addition to the above described procedures. Be sure to exchange the MICROCOMPUTER after surely confirming that the trouble is not caused by poor soldering but the MICROCOMPUTER itself.

PROTECTION OF EYES FROM LASER BEAM DURING SERVICING

This set employs laser. Therefore, be sure to follow carefully the instructions below when servicing.

WARNING!!

WHEN SERVICING, DO NOT APPROACH THE LASER EXIT WITH THE EYE TOO CLOSELY. IN CASE IT IS NECESSARY TO CONFIRM LASER BEAM EMISSION. BE SURE TO OBSERVE FROM A DISTANCE OF MORE THAN 30cm FROM THE SURFACE OF THE OBJECTIVE LENS ON THE OPTICAL PICK-UP BLOCK.



- Caution: Invisible laser radiation when open and interlocks defeated avoid exposure to beam.
- Advarsel: Usynlig laserstråling ved åbning, når sikkerhedsafbrydere er ude af funktion. Undgå udsættelse for stråling.

CAUTION

Use of controls or adjustments or performance of procedures other than those specified herein may result in hazardous radiation exposure.

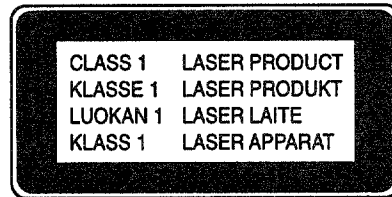
ATTENTION

L'utilisation de commandes, réglages ou procédures autres que ceux spécifiés peut entraîner une dangereuse exposition aux radiations.

ADVARSEL!

Usynlig laserstråling ved åbning, når sikkerhedsafbrydere er ude af funktion. Undgå udsættelse for stråling.

This Compact Disc player is classified as a CLASS 1 LASER product. The CLASS 1 LASER PRODUCT label is located on the rear exterior.



VAROITUS!

Laitteen Käyttäminen muulla kuin tässä käyttöohjeessa mainitulla tavalla saattaa altistaa käyt-täjän turvallisuusluokan 1 ylittävälle näkymättömälle lasersäteilylle.

WARNING!

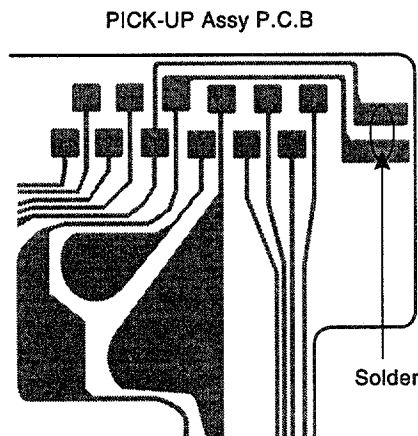
Om apparaten används på annat sätt än vad som specificeras i denna bruksanvisning, kan användaren utsättas för osynlig laserstråling, som överskrider gränsen för laserklass 1.

Precaution to replace Optical block

(KSS - 213B)

Body or clothes electrostatic potential could ruin laser diode in the optical block. Be sure ground body and workbench, and use care the clothes do not touch the diode.

- 1) After the connection, remove solder shown in right figure.



ELECTRICAL MAIN PARTS LIST

If can't understand for Description please kindly refer to "REFERENCE NAME LIST".

REF. NO.	PART NO.	KANRI NO.	DESCRIPTION	REF. NO.	PART NO.	KANRI NO.	DESCRIPTION
IC					87-017-931-080		ZENER, MTZJ5.6B
	87-020-454-010		IC, DN6851				
	8Z-NF7-605-010		C-IC, LC876572V-5K54	MAIN C.B			
	87-A20-914-010		IC, SPS-442-1-F				
	87-A20-783-040		C-IC, BA7762AFS	C1	87-012-369-080		C-CAP, S 0.047-50F
	87-A21-023-040		C-IC, BA3835F	C2	87-012-369-080		C-CAP, S 0.047-50F
				C3	87-012-368-080		C-CAP, S 0.1-50 F
	87-A21-022-040		C-IC, BA3880FS	C4	87-012-368-080		C-CAP, S 0.1-50 F
	87-A21-021-040		C-IC, BU2099FV	C5	87-012-368-080		C-CAP, S 0.1-50 F
	87-A21-031-040		C-IC, BU4551BF<LH, 777U>				
	87-A21-011-040		C-IC, M62445FP-600D	C6	87-012-368-080		C-CAP, S 0.1-50 F
	87-070-127-110		IC, LC72131D	C9	87-010-928-090		CAP, E 4700-25 SMG
				C10	87-010-928-090		CAP, E 4700-25 SMG
	87-A20-913-010		IC, LA1837NL	C21	87-010-385-080		CAP, ELECT 220-25V
	87-A21-051-040		C-IC, BU9990-03FS	C22	87-010-385-080		CAP, ELECT 220-25V
TRANSISTOR							
	87-026-609-080		TR, KTA1266GR	C23	87-010-385-080		CAP, ELECT 220-25V
	89-213-702-010		TR, 2SB1370 (1.8W)	C24	87-010-385-080		CAP, ELECT 220-25V
	87-026-610-080		TR, KTC3198GR	C25	87-010-409-080		CAP, ELECT 220-50
	87-A30-076-080		C-TR, 2SC3052F	C26	87-010-263-080		CAP, ELECT 100-10V
	87-A30-075-080		C-TR, 2SA1235F	C27	87-012-140-080		CAP 470P
				C28	87-010-263-080		CAP, ELECT 100-10V<777U, 767U>
	87-A30-234-080		TR, CSC4115BC	C29	87-010-384-080		CAP, ELECT 100-25V
	87-A30-072-080		C-TR, RT1P 144C	C30	87-010-112-080		CAP, ELECT 100-16V
	87-A30-186-010		FET, 2SK3053	C31	87-010-235-080		CAP, E 470-16 SME
	87-026-245-080		TR, DTC114ES	C32	87-012-368-080		C-CAP, S 0.1-50 F
	87-A30-198-080		TR, KTC3199GR	C33	87-016-299-080		CAP, E 10-100 SME
				C34	87-016-299-080		CAP, E 10-100 SME
	87-A30-074-080		C-TR, RT1P 141C	C61	87-010-260-080		CAP, ELECT 47-25V
	87-A30-268-040		C-TR, 2SA1514K(S)	C62	87-010-496-080		CAP, E 3.3-50 5L
	87-026-463-080		TR, 2SA933SRS	C101	87-010-183-080		C-CAP, S 2700P-50 B<767U>
	87-A30-087-080		C-FET, 2SK2158	C101	87-010-178-080		CHIP CAP 1000P<LH, 777U>
	87-A30-257-080		C-TR, 2SD1306E	C102	87-010-183-080		C-CAP, S 2700P-50 B<767U>
				C102	87-010-178-080		CHIP CAP 1000P<LH, 777U>
	87-A30-073-080		C-TR, RT1N 141C	C103	87-010-400-080		CAP, ELECT 0.47-50V<767U>
	87-A30-190-080		TR, CC5551	C103	87-010-405-080		CAP, ELECT 10-50V<LH, 777U>
	87-A30-137-010		TR, 2SD2494<LH, 777U>				
	87-A30-097-010		TR, FN 1016<767U>	C104	87-010-400-080		CAP, ELECT 0.47-50V<767U>
	87-A30-138-010		TR, 2SB1625<LH, 777U>	C104	87-010-405-080		CAP, ELECT 10-50V<LH, 777U>
				C105	87-010-186-080		CAP, CHIP 4700P<767U>
	87-A30-098-010		TR, FP 1016<767U>	C106	87-010-186-080		CAP, CHIP 4700P<767U>
	87-A30-106-070		C-TR, CMBT5551	C107	87-010-403-080		CAP, ELECT 3.3-50V<767U>
	87-A30-256-010		TR, 2SD1933<LH, 777U>				
	87-A30-255-010		TR, 2SB1342<LH, 777U>	C107	87-010-408-080		CAP, ELECT 47-50V<LH, 777U>
	87-A30-119-040		C-TR, 2SC3906K R<LH, 777U>	C108	87-010-403-080		CAP, ELECT 3.3-50V<767U>
				C108	87-010-408-080		CAP, ELECT 47-50V<LH, 777U>
	87-A30-159-080		C-TR, KTA1298Y	C111	87-010-260-080		CAP, ELECT 47-25V
	87-A30-105-080		C-TR, RT1P 441C	C112	87-010-260-080		CAP, ELECT 47-25V
	87-A30-142-040		C-TR, DTA123EKA				
	87-A30-240-080		TR, CSA1585BC	C113	87-A10-812-080		C-CAP, S 220P-200 J CH
	87-A30-196-080		TR, 2SC4115SRS	C114	87-A10-812-080		C-CAP, S 220P-200 J CH
				C117	87-016-247-080		C-CAP, 0.1-50 F
	89-327-143-080		TR, 2SC2714 (0.1W)	C118	87-016-247-080		C-CAP, 0.1-50 F
				C121	87-010-178-080		CHIP CAP 1000P
DIODE							
	87-020-465-080		DIODE, 1SS133 (110MA)	C122	87-010-178-080		CHIP CAP 1000P
	87-017-654-060		DIODE, GBU6JL6131	C125	87-012-368-080		C-CAP, S 0.1-50 F
	87-070-274-080		DIODE, 1N4003 SEM	C126	87-012-368-080		C-CAP, S 0.1-50 F
	87-A40-547-090		DIODE, D5SBA20<767U>	C127	87-012-368-080		C-CAP, S 0.1-50 F
	87-017-447-010		DIODE, GBU4DL-6419<777U>	C128	87-012-368-080		C-CAP, S 0.1-50 F
				C133	87-010-197-080		CAP, CHIP 0.01 DM
	87-A40-341-080		ZENER, MTZJ 36 A	C136	87-010-196-080		CHIP CAPACITOR, 0.1-25
	87-A40-345-080		ZENER, MTZJ10C	C203	87-010-177-080		C-CAP, S 820P-50 SL<LH, 777U>
	87-A40-183-090		DIODE, RK36 (F)	C204	87-010-177-080		C-CAP, S 820P-50 SL<LH, 777U>
	87-070-136-080		ZENER, MTZJ5.1B	C209	87-010-403-080		CAP, ELECT 3.3-50V<LH, 777U>
	87-A40-442-080		ZENER, MTZJ9.1A<LH>				
				C210	87-010-403-080		CAP, ELECT 3.3-50V<LH, 777U>
	87-A40-270-080		C-DIODE, MC2838	C211	87-010-181-080		CAP, CHIP S 1800P<LH, 777U>
	87-A40-269-080		C-DIODE, MC2836	C212	87-010-181-080		CAP, CHIP S 1800P<LH, 777U>
	87-A40-488-080		DIODE, 1SS244	C213	87-010-403-080		CAP, ELECT 3.3-50V<LH, 777U>
	87-A40-509-080		ZENER, MTZJ6.8C	C214	87-010-403-080		CAP, ELECT 3.3-50V<LH, 777U>
	87-020-331-080		CHIP-DIODE, DAN202K				
				C217	87-010-260-080		CAP, ELECT 47-25V<LH, 777U>
	87-017-932-080		ZENER, MTJ6.2B	C218	87-010-260-080		CAP, ELECT 47-25V<LH, 777U>
	87-A40-002-080		ZENER, MTZJ5.1C	C219	87-A10-946-080		C-CAP, S 220P-100 J CH<LH, 777U>
	87-A40-438-080		ZENER, MTZJ4.7A	C220	87-A10-946-080		C-CAP, S 220P-100 J CH<LH, 777U>
	87-A40-234-080		ZENER, MTZJ5.6A	C225	87-012-368-080		C-CAP, S 0.1-50 F<LH, 777U>

REF. NO.	PART NO.	KANRI NO.	DESCRIPTION	REF. NO.	PART NO.	KANRI NO.	DESCRIPTION
C226	87-012-368-080		C-CAP,S 0.1-50 F<LH,777U>	C408	87-010-188-080		CAP,CHIP 6800P
C227	87-010-186-080		CAP,CHIP 4700P<LH,777U>	C409	87-012-140-080		CAP 470P
C228	87-010-186-080		CAP,CHIP 4700P<LH,777U>	C410	87-012-140-080		CAP 470P
C229	87-010-993-080		C-CAP,S 0.056-25 B<LH,777U>	C411	87-010-404-080		CAP, ELECT 4.7-50V
C230	87-010-993-080		C-CAP,S 0.056-25 B<LH,777U>	C412	87-010-404-080		CAP, ELECT 4.7-50V
C231	87-010-196-080		CHIP CAPACITOR,0.1-25<LH,777U>	C413	87-010-404-080		CAP, ELECT 4.7-50V
C232	87-010-196-080		CHIP CAPACITOR,0.1-25<LH,777U>	C414	87-010-404-080		CAP, ELECT 4.7-50V
C235	87-016-285-080		CAP,E 47-100SME<LH,777U>	C415	87-010-197-080		CAP, CHIP 0.01 DM
C236	87-016-285-080		CAP,E 47-100SME<LH,777U>	C416	87-010-197-080		CAP, CHIP 0.01 DM
C301	87-010-318-080		C-CAP,S 47P-50 CH	C417	87-010-956-080		CHIP-CAP,S 0.068-25B
C302	87-010-318-080		C-CAP,S 47P-50 CH	C418	87-010-956-080		CHIP-CAP,S 0.068-25B
C303	87-012-157-080		C-CAP,S 330P-50 CH	C419	87-010-260-080		CAP, ELECT 47-25V
C304	87-012-157-080		C-CAP,S 330P-50 CH	C451	87-010-401-080		CAP, ELECT 1-50V<LH,777U>
C305	87-012-145-080		CAP, CHIP S 270P CH	C451	87-010-404-080		CAP, ELECT 4.7-50V<767U>
C306	87-012-145-080		CAP, CHIP S 270P CH	C452	87-010-401-080		CAP, ELECT 1-50V<LH,777U>
C307	87-010-196-080		CHIP CAPACITOR,0.1-25	C452	87-010-404-080		CAP, ELECT 4.7-50V<767U>
C309	87-010-196-080		CHIP CAPACITOR,0.1-25	C455	87-A10-305-080		CAP,M 0.068-50 J<LH,777U>
C310	87-010-196-080		CHIP CAPACITOR,0.1-25	C456	87-A10-305-080		CAP,M 0.068-50 J<LH,777U>
C311	87-010-198-080		CAP, CHIP 0.022	C457	87-010-196-080		CHIP CAPACITOR,0.1-25<LH,777U>
C312	87-010-198-080		CAP, CHIP 0.022	C458	87-010-196-080		CHIP CAPACITOR,0.1-25<LH,777U>
C313	87-010-179-080		CAP,CHIP S B1200P	C459	87-A10-299-080		CAP,M 0.022-50 J<LH,777U>
C314	87-010-179-080		CAP,CHIP S B1200P	C460	87-A10-299-080		CAP,M 0.022-50 J<LH,777U>
C315	87-010-179-080		CHIP CAP 1200P	C461	87-018-119-080		CAP,TC-U 100P-50 K B<LH,777U>
C316	87-010-179-080		CHIP CAP 1200P	C465	87-A10-299-080		CAP,M 0.022-50 J<LH,777U>
C321	87-016-492-080		C-CAP,S 0.33-16 FZ	C466	87-A10-299-080		CAP,M 0.022-50 J<LH,777U>
C322	87-016-492-080		C-CAP,S 0.33-16 FZ	C601	87-010-183-080		C-CAP,S 2700P-50 B
C324	87-010-260-080		CAP, ELECT 47-25V	C602	87-010-183-080		C-CAP,S 2700P-50 B
C325	87-010-370-080		CAP,E 330-6.3 SME	C611	87-010-197-080		CAP, CHIP 0.01 DM
C327	87-010-404-080		CAP, ELECT 4.7-50V	C613	87-016-081-080		C-CAP,S 0.1-16 RK
C328	87-010-404-080		CAP, ELECT 4.7-50V	C614	87-016-081-080		C-CAP,S 0.1-16 RK
C332	87-010-196-080		CHIP CAPACITOR,0.1-25	C617	87-A10-304-080		CAP,M 0.056-50 J
C335	87-010-401-080		CAP, ELECT 1-50V	C618	87-A10-304-080		CAP,M 0.056-50 J
C336	87-010-401-080		CAP, ELECT 1-50V	C619	87-010-185-080		C-CAP,S 3900P-50 B
C337	87-010-196-080		CHIP CAPACITOR,0.1-25	C620	87-010-185-080		C-CAP,S 3900P-50 B
C339	87-010-196-080		CHIP CAPACITOR,0.1-25	C621	87-010-401-080		CAP, ELECT 1-50V
C340	87-010-196-080		CHIP CAPACITOR,0.1-25	C622	87-010-401-080		CAP, ELECT 1-50V
C351	87-012-140-080		CAP 470P	C623	87-A10-307-080		CAP,M 0.1-50 J
C352	87-012-140-080		CAP 470P	C624	87-A10-307-080		CAP,M 0.1-50 J
C354	87-010-175-080		CAP 560P	C625	87-010-401-080		CAP, ELECT 1-50V
C355	87-012-349-080		C-CAP,S 1000P-50 CH	C626	87-010-401-080		CAP, ELECT 1-50V
C356	87-010-260-080		CAP, ELECT 47-25V	C627	87-010-196-080		CHIP CAPACITOR,0.1-25
C357	87-010-197-080		CAP, CHIP 0.01 DM	C629	87-010-405-080		CAP, ELECT 10-50V
C358	87-010-183-080		C-CAP,S 2700P-50 B	C630	87-010-213-080		C-CAP,S 0.015-50 B
C359	87-010-183-080		C-CAP,S 2700P-50 B	C631	87-010-992-080		C-CAP,S 0.047-25 B
C360	87-010-183-080		C-CAP,S 2700P-50 B	C632	87-010-263-080		CAP, ELECT 100-10V
C363	87-A10-292-080		CAP,M 5600P-50 J	C633	87-010-263-080		CAP, ELECT 100-10V
C370	87-010-196-080		CHIP CAPACITOR,0.1-25	C634	87-010-196-080		CHIP CAPACITOR,0.1-25
C373	87-016-083-080		C-CAP,S 0.15-16 RK	C635	87-010-196-080		CHIP CAPACITOR,0.1-25
C374	87-016-083-080		C-CAP,S 0.15-16 RK	C636	87-010-992-080		C-CAP,S 0.047-25 B
C378	87-010-196-080		CHIP CAPACITOR,0.1-25	C637	87-010-183-080		C-CAP,S 2700P-50 B
C379	87-010-382-080		CAP, ELECT 22-25V	C640	87-010-314-080		C-CAP,S 22P-50V
C380	87-010-382-080		CAP, ELECT 22-25V	C641	87-010-196-080		CHIP CAPACITOR,0.1-25
C381	87-010-197-080		CAP, CHIP 0.01 DM	C736	87-010-196-080		CHIP CAPACITOR,0.1-25
C382	87-010-312-080		C-CAP,S 15P-50 CH	CN301	87-099-827-010		CONN,3P S2M-3W
C383	87-010-197-080		CAP, CHIP 0.01 DM	CN351	87-099-832-010		CONN,8P S2M-8W
C384	87-010-402-080		CAP, ELECT 2.2-50V	CN601	87-099-719-010		CONN,30P TYK-B(X)
C386	87-010-196-080		CHIP CAPACITOR,0.1-25	CN602	87-A60-131-010		CONN,6P V FE
C387	87-012-145-080		CAP, CHIP S 270P CH	CN604	87-099-570-010		CONN,13P TUC-PL3P-B1
C388	87-012-156-080		C-CAP,S 220P-50 CH	CNA1	8Z-NF8-669-010		CONN ASSY,9P VH
C391	87-010-319-080		C-CAP,S 56P-50 CH	CN351	87-NF6-616-010		CONN ASSY,8P RPB
C392	87-010-319-080		C-CAP,S 56P-50 CH	J201	87-A60-483-010		JACK,DIA6.3 BLK ST W/S<LH,777U>
C393	87-010-319-080		C-CAP,S 56P-50 CH	J201	87-A60-488-010		JACK,DIA6.3 BLK ST W/SW<767U>
C394	87-010-319-080		C-CAP,S 56P-50 CH	J203	87-033-240-010		TERMINAL,SP 4P32SV1-05
C401	87-010-196-080		CHIP CAPACITOR,0.1-25	J204	87-A60-750-010		JACK,PIN 4P R/W BLUE<LH,777U>
C402	87-010-260-080		CAP, ELECT 47-25V	J204	87-A60-641-010		JACK,PIN 4P R/W/B JALCO<767U>
C403	87-010-404-080		CAP, ELECT 4.7-50V	J601	87-A60-402-010		JACK,PIN 6P R/W HSP-246V30
C404	87-010-404-080		CAP, ELECT 4.7-50V	L101	87-003-383-010		COIL,1UH-S
C405	87-010-404-080		CAP, ELECT 4.7-50V	L102	87-003-383-010		COIL,1UH-S
C406	87-010-404-080		CAP, ELECT 4.7-50V	L201	87-003-383-010		COIL,1UH-S<LH,777U>
C407	87-010-188-080		CAP,CHIP 6800P	L202	87-003-383-010		COIL,1UH-S<LH,777U>

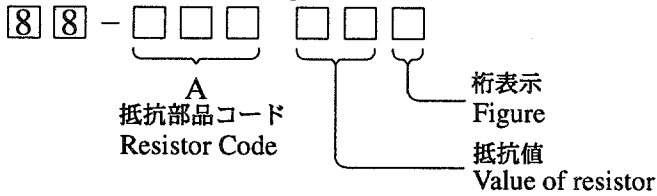
REF. NO.	PART NO.	KANRI NO.	DESCRIPTION	REF. NO.	PART NO.	KANRI NO.	DESCRIPTION
L301	87-A50-049-010		COIL,TRAP 85K(COI)	C383	87-010-196-080		CHIP CAPACITOR,0.1-25
L302	87-A50-049-010		COIL,TRAP 85K(COI)	C384	87-010-196-080		CHIP CAPACITOR,0.1-25
L351	87-007-342-010		COIL,OSC 85K BIAS	C385	87-010-196-080		CHIP CAPACITOR,0.1-25
R20	87-A00-261-080		RES,M/F 0.56-1W J<777U>	C386	87-010-196-080		CHIP CAPACITOR,0.1-25
R129	87-A00-257-080		RES,M/F 0.15-1W J<777U>	C387	87-010-196-080		CHIP CAPACITOR,0.1-25
R129	87-A00-262-080		RES,M/F 0.15-2W J<LH,767U>	C401	87-010-196-080		CHIP CAPACITOR,0.1-25
R130	87-A00-257-080		RES,M/F 0.15-1W J<777U>	C402	87-010-196-080		CHIP CAPACITOR,0.1-25
R130	87-A00-262-080		RES,M/F 0.15-2W J<LH,767U>	C403	87-010-322-080		C-CAP,S 100P-50 CH
R131	87-A00-257-080		RES,M/F 0.15-1W J<777U>	C404	87-010-322-080		C-CAP,S 100P-50 CH
R131	87-A00-262-080		RES,M/F 0.15-2W J<LH,767U>	C405	87-010-322-080		C-CAP,S 100P-50 CH
R132	87-A00-257-080		RES,M/F 0.15-1W J<777U>	C406	87-010-322-080		C-CAP,S 100P-50 CH
R132	87-A00-262-080		RES,M/F 0.15-2W J<LH,767U>	C407	87-010-322-080		C-CAP,S 100P-50 CH
R143	87-A00-440-050		RES,220-1/2W J RP	C408	87-010-322-080		C-CAP,S 100P-50 CH
R144	87-A00-440-050		RES,220-1/2W J RP	C411	87-010-401-040		CAP,E 1-50 SME
R145	87-A00-440-050		RES,220-1/2W J RP	C501	87-010-544-040		CAP,E 0.1-50 SME
R146	87-A00-440-050		RES,220-1/2W J RP	C502	87-010-196-080		CHIP CAPACITOR,0.1-25
R165	87-A00-257-080		RES,M/F 0.15-1W J<777U>	C503	87-010-544-040		CAP,E 0.1-50 SME
R165	87-A00-262-080		RES,M/F 0.15-2W J<LH,767U>	C504	87-012-156-080		C-CAP,S 220P-50 CH
R166	87-A00-257-080		RES,M/F 0.15-1W J<777U>	C505	87-010-178-080		CHIP CAP 1000P
R166	87-A00-262-080		RES,M/F 0.15-2W J<LH,767U>	C601	87-010-186-080		CAP,CHIP 4700P
R231	87-A00-258-080		RES,M/F 0.22-1W J<LH,777U>	C603	87-010-320-080		CHIP CAP 68P
R232	87-A00-258-080		RES,M/F 0.22-1W J<LH,777U>	C604	87-010-546-040		CAP,E 0.33-50
R233	87-A00-258-080		RES,M/F 0.22-1W J<LH,777U>	C605	87-010-196-080		CHIP CAPACITOR,0.1-25
R234	87-A00-258-080		RES,M/F 0.22-1W J<LH,777U>	C606	87-010-112-040		CAP,E 100-16
R265	87-A00-258-080		RES,M/F 0.22-1W J<LH,777U>	C607	87-010-196-080		CHIP CAPACITOR,0.1-25
R266	87-A00-258-080		RES,M/F 0.22-1W J<LH,777U>	C652	87-010-183-080		C-CAP,S 2700P-50 B
SFR351	87-A90-433-080		SFR,50K H NV26TLTA	C653	87-010-213-080		C-CAP,S 0.015-50 B
SFR352	87-A90-433-080		SFR,50K H NV26TLTA	C802	87-010-168-080		C-CAP,S 150P-50 SL
TH101	87-A91-042-080		C-THMS,100K 55001	C804	87-010-187-080		C-CAP,S 5600P-50 B
TH102	87-A91-042-080		C-THMS,100K 55001	C806	87-010-401-040		CAP,E 1-50 SME
WH1	87-A90-510-010		HLDR,WIRE 2.5-9P	C807	87-010-196-080		CHIP CAPACITOR,0.1-25
				C809	87-012-155-080		C-CAP 180P-50CH
				C810	87-010-263-040		CAP,E 100-10
				C811	87-010-382-040		CAP,E 22-25 SME
				C812	87-010-405-040		CAP,E 10-50
FRONT C.B				CN101	87-099-720-010		CONN,30P TYK-B(P)
C103	87-010-178-080		CHIP CAP 1000P	CN104	87-A60-140-010		CONN,15P V FE
C105	87-010-322-080		C-CAP,S 100P-50 CH	CN301	87-A60-131-010		CONN,6P V FE
C106	87-010-312-080		C-CAP,S 15P-50 CH	CN901	87-A60-138-010		CONN,13P V FE
C107	87-012-157-080		C-CAP,S 330P-50 CH	FB601	87-A50-190-080		C-COIL,S BLM21A102S
C108	87-010-405-040		CAP,E 10-50				
C111	87-A11-242-040		CAP,E 220-10 M 5L SRM	FC104	88-915-121-110		FF-CABLE, 15P 1.25
C112	87-016-081-080		C-CAP,S 0.1-16 RK	FC301	85-NF5-617-010		CABLE,FFC 6P-1.25
C113	87-A11-242-040		CAP,E 220-10 M 5L SRM	FC901	85-NF5-618-010		CABLE,FFC 13P-1.25
C114	87-010-196-080		CHIP CAPACITOR,0.1-25	FL201	8Z-NF7-610-010		FL,BJ679GK
C115	87-010-198-080		CAP, CHIP 0.022	J601	87-A60-651-010		JACK,3.5MONO
C116	87-010-493-040		CAP,E 0.47-50 GAS				
C117	87-010-498-040		CAP,E 10-16 GAS	L101	87-A50-333-010		COIL,OSC 9.43MHZ
C121	87-012-368-080		C-CAP,S 0.1-50 F	L801	87-A50-093-010		COIL,CLOCK 5.76MHZ
C122	87-010-178-080		CHIP CAP 1000P	LED293	87-A40-589-040		LED,SLR-56VCT31 RED
C123	87-010-196-080		CHIP CAPACITOR,0.1-25	LED401	87-A40-317-080		LED,SLR-342VCT31 RED
				LED402	87-A40-317-080		LED,SLR-342VCT31 RED
C124	87-010-196-080		CHIP CAPACITOR,0.1-25	LED403	87-A40-317-080		LED,SLR-342VCT31 RED
C125	87-010-196-080		CHIP CAPACITOR,0.1-25	LED404	87-A40-317-080		LED,SLR-342VCT31 RED
C126	87-012-145-080		CAP, CHIP S 270P CH	LED405	87-A40-317-080		LED,SLR-342VCT31 RED
C151	87-010-194-080		CAP, CHIP 0.047	LED406	87-A40-496-040		LED,SLR-342MCT31 GRN
C153	87-010-196-080		CHIP CAPACITOR,0.1-25	LED407	87-A40-496-040		LED,SLR-342MCT31 GRN
C154	87-010-264-040		CAP,E 100-10 5L	LED408	87-A40-496-040		LED,SLR-342MCT31 GRN
C181	87-012-157-080		C-CAP,S 330P-50 CH	LED409	87-A40-496-040		LED,SLR-342MCT31 GRN
C182	87-010-197-080		CAP, CHIP 0.01 DM	LED410	87-A40-496-040		LED,SLR-342MCT31 GRN
C183	87-010-182-080		C-CAP,S 2200P-50 B	LED411	87-A40-496-040		LED,SLR-342MCT31 GRN
C202	87-012-140-080		CAP 470P	LED412	87-A40-496-040		LED,SLR-342MCT31 GRN
C211	87-012-157-080		C-CAP,S 330P-50 CH	LED413	87-A40-496-040		LED,SLR-342MCT31 GRN
C212	87-012-157-080		C-CAP,S 330P-50 CH	LED414	87-A40-496-040		LED,SLR-342MCT31 GRN
C213	87-012-157-080		C-CAP,S 330P-50 CH	LED415	87-A40-496-040		LED,SLR-342MCT31 GRN
C214	87-012-157-080		C-CAP,S 330P-50 CH	LED416	87-A40-619-080		LED,SLR-56PT-TE7-W GRN
C221	87-010-404-040		CAP,E 4.7-50 SME	LED417	87-A40-619-080		LED,SLR-56PT-TE7-W GRN
C222	87-010-404-040		CAP,E 4.7-50 SME				
C223	87-010-408-040		CAP,E 47-50 SME	LED418	87-A40-619-080		LED,SLR-56PT-TE7-W GRN
C224	87-012-369-080		C-CAP,S 0.047-50F	LED419	87-A40-619-080		LED,SLR-56PT-TE7-W GRN
C381	87-010-196-080		CHIP CAPACITOR,0.1-25	LED420	87-A40-619-080		LED,SLR-56PT-TE7-W GRN
C382	87-012-158-080		C-CAP,S 390P-50 CH	LED421	87-A40-619-080		LED,SLR-56PT-TE7-W GRN
				LED433	87-A40-631-010		LED,SEL1550CM-LF55 GRN

REF. NO.	PART NO.	KANRI NO.	DESCRIPTION	REF. NO.	PART NO.	KANRI NO.	DESCRIPTION
LED434	87-A40-631-010		LED, SEL1550CM-LF55 GRN	C731	87-012-286-080		CAP, U 0.01-25
LED435	87-A40-631-010		LED, SEL1550CM-LF55 GRN	C733	87-010-987-080		C-CAP, S 1500P-50 CH
LED436	87-A40-631-010		LED, SEL1550CM-LF55 GRN	C734	87-010-987-080		C-CAP, S 1500P-50 CH
LED461	87-A40-632-010		LED, SEL1250SM-LF55 RED	C735	87-010-987-080		C-CAP, S 1500P-50 CH
LED462	87-A40-632-010		LED, SEL1250SM-LF55 RED	C736	87-010-987-080		C-CAP, S 1500P-50 CH
LED481	87-A40-619-040		LED, SLR-56PT-T31-W GRN	C737	87-A10-592-080		C-CAP, S 0.015-50 J B
LED482	87-A40-619-040		LED, SLR-56PT-T31-W GRN	C738	87-A10-592-080		C-CAP, S 0.015-50 J B
LED483	87-A40-619-040		LED, SLR-56PT-T31-W GRN	C751	87-012-365-080		C-CAP, S 0.027-25VBK
LED484	87-A40-619-040		LED, SLR-56PT-T31-W GRN	C752	87-012-365-080		C-CAP, S 0.027-25VBK
LED485	87-A40-619-040		LED, SLR-56PT-T31-W GRN	C756	87-012-286-080		CAP, U 0.01-25
LED486	87-A40-619-040		LED, SLR-56PT-T31-W GRN	C757	87-012-188-080		C-CAP, U 47P-50 CH
LED487	87-A40-619-040		LED, SLR-56PT-T31-W GRN	C758	87-012-167-080		C-CAP, U 5P-50 CH
LED488	87-A40-619-040		LED, SLR-56PT-T31-W GRN	C763	87-010-829-080		CAP, U 0.047-16
S101	87-A90-471-010		SW, RTRY EC16B24304-25 NON	C764	87-012-337-080		C-CAP, U 56P-50 CH
S102	87-A91-018-010		SW, RTRY EC12E12504ENC-30	C765	87-012-286-080		CAP, U 0.01-25
S301	87-A90-095-080		SW, TACT EVQ11G04M	C768	87-012-286-080		CAP, U 0.01-25
S302	87-A90-095-080		SW, TACT EVQ11G04M	C769	87-010-260-080		CAP, ELECT 47-25V
S303	87-A90-095-080		SW, TACT EVQ11G04M	C770	87-010-829-080		CAP, U 0.047-16
S308	87-A90-095-080		SW, TACT EVQ11G04M	C771	87-010-383-080		CAP, ELECT 33-25V
S309	87-A90-095-080		SW, TACT EVQ11G04M	C772	87-010-829-080		CAP, U 0.047-16
S310	87-A90-095-080		SW, TACT EVQ11G04M	C773	87-010-196-080		CHIP CAPACITOR, 0.1-25
S311	87-A90-095-080		SW, TACT EVQ11G04M	C774	87-010-263-080		CAP, ELECT 100-10V
S312	87-A90-095-080		SW, TACT EVQ11G04M	C775	87-010-404-080		CAP, ELECT 4.7-50V
S313	87-A90-095-080		SW, TACT EVQ11G04M	C776	87-012-286-080		CAP, U 0.01-25
S321	87-A90-095-080		SW, TACT EVQ11G04M	C777	87-010-400-080		CAP, ELECT 0.47-50V
S322	87-A90-095-080		SW, TACT EVQ11G04M	C778	87-010-401-080		CAP, ELECT 1-50V
S323	87-A90-095-080		SW, TACT EVQ11G04M	C779	87-010-401-080		CAP, ELECT 1-50V
S324	87-A90-095-080		SW, TACT EVQ11G04M	C780	87-010-196-080		CHIP CAPACITOR, 0.1-25
S325	87-A90-095-080		SW, TACT EVQ11G04M	C781	87-010-405-080		CAP, ELECT 10-50V
S326	87-A90-095-080		SW, TACT EVQ11G04M	C782	87-010-405-080		CAP, ELECT 10-50V
S327	87-A90-095-080		SW, TACT EVQ11G04M	C783	87-012-286-080		CAP, U 0.01-25
S329	87-A90-095-080		SW, TACT EVQ11G04M	C784	87-012-286-080		CAP, U 0.01-25
S332	87-A90-095-080		SW, TACT EVQ11G04M	C785	87-010-401-080		CAP, ELECT 1-50V
S333	87-A90-095-080		SW, TACT EVQ11G04M	C786	87-010-401-080		CAP, ELECT 1-50V
S334	87-A90-095-080		SW, TACT EVQ11G04M	C789	87-012-275-080		C-CAP, U 1200P-50 B
S335	87-A90-095-080		SW, TACT EVQ11G04M	C790	87-012-275-080		C-CAP, U 1200P-50 B
S341	87-A90-095-080		SW, TACT EVQ11G04M	C791	87-010-405-080		CAP, ELECT 10-50V
S342	87-A90-095-080		SW, TACT EVQ11G04M	C793	87-012-273-080		C-CAP, U 820P-50 B
S343	87-A90-095-080		SW, TACT EVQ11G04M	C794	87-010-406-080		CAP, ELECT 22-50
S344	87-A90-095-080		SW, TACT EVQ11G04M	C795	87-010-596-080		CAP, S 0.047-16
S345	87-A90-095-080		SW, TACT EVQ11G04M	C796	87-010-403-080		CAP, ELECT 3.3-50V
S346	87-A90-095-080		SW, TACT EVQ11G04M	C799	87-010-829-080		CAP, U 0.047-16
S348	87-A90-095-080		SW, TACT EVQ11G04M	C812	87-012-286-080		CAP, U 0.01-25
S349	87-A90-095-080		SW, TACT EVQ11G04M	C820	87-010-260-080		CAP, ELECT 47-25V
S350	87-A90-095-080		SW, TACT EVQ11G04M	C821	87-012-286-080		CAP, U 0.01-25
VR501	86-NFA-607-010		VR, RTRY 10K15AX1 1 V XV0121PVN	C822	87-012-286-080		CAP, U 0.01-25
				C823	87-012-286-080		CAP, U 0.01-25
				C828	87-010-196-080		CHIP CAPACITOR, 0.1-25
				C829	87-010-196-080		CHIP CAPACITOR, 0.1-25
				C959	87-010-196-080		CHIP CAPACITOR, 0.1-25
TUNER C.B							
C701	87-010-381-080		CAP, ELECT 330-16V				
C702	87-010-404-080		CAP, ELECT 4.7-50V	C960	87-010-196-080		CHIP CAPACITOR, 0.1-25
C703	87-012-286-080		CAP, U 0.01-25	C961	87-012-170-080		C-CAP, U 8P-50 CH
C704	87-012-286-080		CAP, U 0.01-25	C963	87-010-196-080		CHIP CAPACITOR, 0.1-25
C705	87-A10-592-080		C-CAP, S 0.015-50 J B	CF801	87-008-261-010		FILTER, SPE10.7MA5-A
				CF802	87-008-261-010		FILTER, SPE10.7MA5-A
C706	87-A10-592-080		C-CAP, S 0.015-50 J B				
C709	87-012-195-080		C-CAP, U 100P-50CH	CN701	87-A60-700-010		CONN, 13P H GRY TUC-P13X-C1
C711	87-010-260-080		CAP, ELECT 47-25V	FFE801	AB-8ZA-190-030		8ZA-1 FEUNM
C712	87-010-831-080		C-CAP, U, 0.1-16F	J801	87-A60-702-010		TERMINAL, ANT 4P CJ-9036
C714	87-012-286-080		CAP, U 0.01-25	L771	87-A50-266-010		COIL, FM DET-2N(TOK)
				L772	87-A90-733-010		FLTR, PCFAZH-450 (TOK)
C717	87-012-286-080		CAP, U 0.01-25				
C718	87-012-179-080		C-CAP, U 20P-50 CH	L981	87-NF4-650-010		COIL, AM PACK 4N(TOK)
C719	87-012-286-080		CAP, U 0.01-25	X721	87-A70-061-010		VIB, XTAL 4.500MHZ CSA-309PT C.B
C720	87-012-195-080		C-CAP, U 100P-50CH				
C721	87-012-176-080		CAP 15P				
SW C.B							
C722	87-012-176-080		CAP 15P				
C723	87-012-274-080		CHIP CAP, U 1000P-50B	CN302	87-A60-131-010		CONN, 6P V FE
C725	87-012-274-080		CHIP CAP, U 1000P-50B	LED438	87-A40-317-080		LED, SLR-342VCT31 RED
C727	87-010-196-080		CHIP CAPACITOR, 0.1-25	LED439	87-A40-317-080		LED, SLR-342VCT31 RED
C728	87-010-248-080		CAP, ELECT 220-10V	LED440	87-A40-317-080		LED, SLR-342VCT31 RED
C729	87-012-274-080		CHIP CAP, U 1000P-50B	LED441	87-A40-637-040		LED, SLV-312MC GRN

REF. NO.	PART NO.	KANRI NO.	DESCRIPTION	REF. NO.	PART NO.	KANRI NO.	DESCRIPTION
LED442	87-A40-637-040		LED,SLV-312MC GRN	DECK C.B			
LED443	87-A40-637-040		LED,SLV-312MC GRN	CON105	87-099-756-019		CONN, 15P 9604 S F
LED444	87-A40-637-040		LED,SLV-312MC GRN	SFR1	87-024-581-019		SFR, 3.3K DIA 6H
LED445	87-A40-637-040		LED,SLV-312MC GRN	SOL1	82-ZM1-618-410		SOL ASSY, 27
S351	87-A90-095-080		SW,TACT EVQ11G04M	SOL2	82-ZM1-618-410		SOL ASSY, 27
S352	87-A90-095-080		SW,TACT EVQ11G04M	SW1	87-A90-248-019		SW,MICRO ESE11SH2CXQ
S353	87-A90-095-080		SW,TACT EVQ11G04M	SW2	87-A90-248-019		SW,MICRO ESE11SH2CXQ
S354	87-A90-095-080		SW,TACT EVQ11G04M	SW3	87-A90-248-019		SW,MICRO ESE11SH2CXQ
S355	87-A90-095-080		SW,TACT EVQ11G04M	SW4	87-036-110-010		SW,MICRO SPPB62
PT C.B				SW5	87-036-110-010		SW,MICRO SPPB62
C1	87-010-387-080		CAP,E 470-25 SME	SW6	87-036-110-010		SW,MICRO SPPB62
C3	87-018-209-080		CAP, CER 0.1-50V	SW8	87-A90-248-019		SW,MICRO ESE11SH2CXQ
C4	87-018-209-080		CAP, CER 0.1-50V	SW9	87-A90-248-019		SW,MICRO ESE11SH2CXQ
C5	87-018-209-080		CAP, CER 0.1-50V	W001	82-ZM3-601-019		RBN,CORD,4P-75
C6	87-018-209-080		CAP, CER 0.1-50V	HEAD-1 C.B			
C8	87-016-520-090		CAP,E 3300-65		85-ZM3-602-010		PWB,FLEX A
C9	87-016-520-090		CAP,E 3300-65	HEAD-2 C.B			
C31	87-010-403-040		CAP,E 3.3-50 SME		85-ZM3-602-010		PWB,FLEX A
CN1	87-A60-851-010		CONN,9P V VH				
△ PR1	87-026-691-080		FUSE,10A 125V 251<777U,767U>				
△ PR1	87-026-682-080		PROTECTOR,10A 60V491<LH>		85-ZM3-602-010		PWB,FLEX A
△ PR2	87-026-691-080		FUSE,10A 125V 251<777U,767U>				
△ PR2	87-026-682-080		PROTECTOR,10A 60V491<LH>				
△ PR3	87-A91-276-080		FUSE,125MA 125V F 251<777U,767U>				
△ PT1	8Z-NF7-622-010		PT,LH ZNF-7<LH>				
△ PT1	8Z-NF7-621-010		PT,U ZNF-7<777U>				
△ PT1	8Z-NF7-625-010		PT,U1 ZNF-7<767U>				
△ PT2	8Z-NF8-663-010		PT,SUB ZNF-8(H)<LH>				
△ PT2	8Z-NF8-661-010		PT,SUB ZNF-8(U)<777U,767U>				
△ RY1	87-A91-281-010		RELAY,AC DC12V OSA-SS-212DM5<LH>				
△ RY2	87-A90-976-010		RELAY,AC12V SDT-S-112LMR<777U,767U>				
△ S1	87-A90-165-010		SW,SL 1-2-3 SWS2301<LH>				
△ T1	87-A60-317-010		TERMINAL, 1P MSC				
△ T2	87-A60-317-010		TERMINAL, 1P MSC				

チップ抵抗部品コード/CHIP RESISTOR PART CODE

チップ抵抗部品コードの成り立ち
Chip Resistor Part Coding



チップ抵抗
Chip resistor

容量 Wattage	種類 Type	許容誤差 Tolerance	記号 Symbol	寸法/Dimensions (mm)			抵抗コード : A Resistor Code : A	
				外形/Form	L	W		t
1/16W	1005	± 5%	CJ		1.0	0.5	0.35	104
1/16W	1608	± 5%	CJ		1.6	0.8	0.45	108
1/10W	2125	± 5%	CJ		2	1.25	0.45	118
1/8W	3216	± 5%	CJ		3.2	1.6	0.55	128

TRANSISTOR ILLUSTRATION



E C B

KTA1266GR
KTC3198GR
KTC3199GR



E C B

CC5551



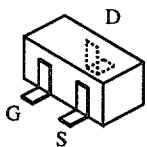
E C B

CSC4115BC
CSA1585BC



B C E

2SB1370
FN1016
FP1016
2SB1625
2SD2494
2SB1342
2SD1933



2SK2158



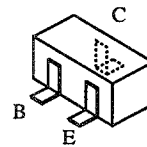
G D S

2SK3053



E C B

DTC114ES
2SA933SRS
2SC4115SRS

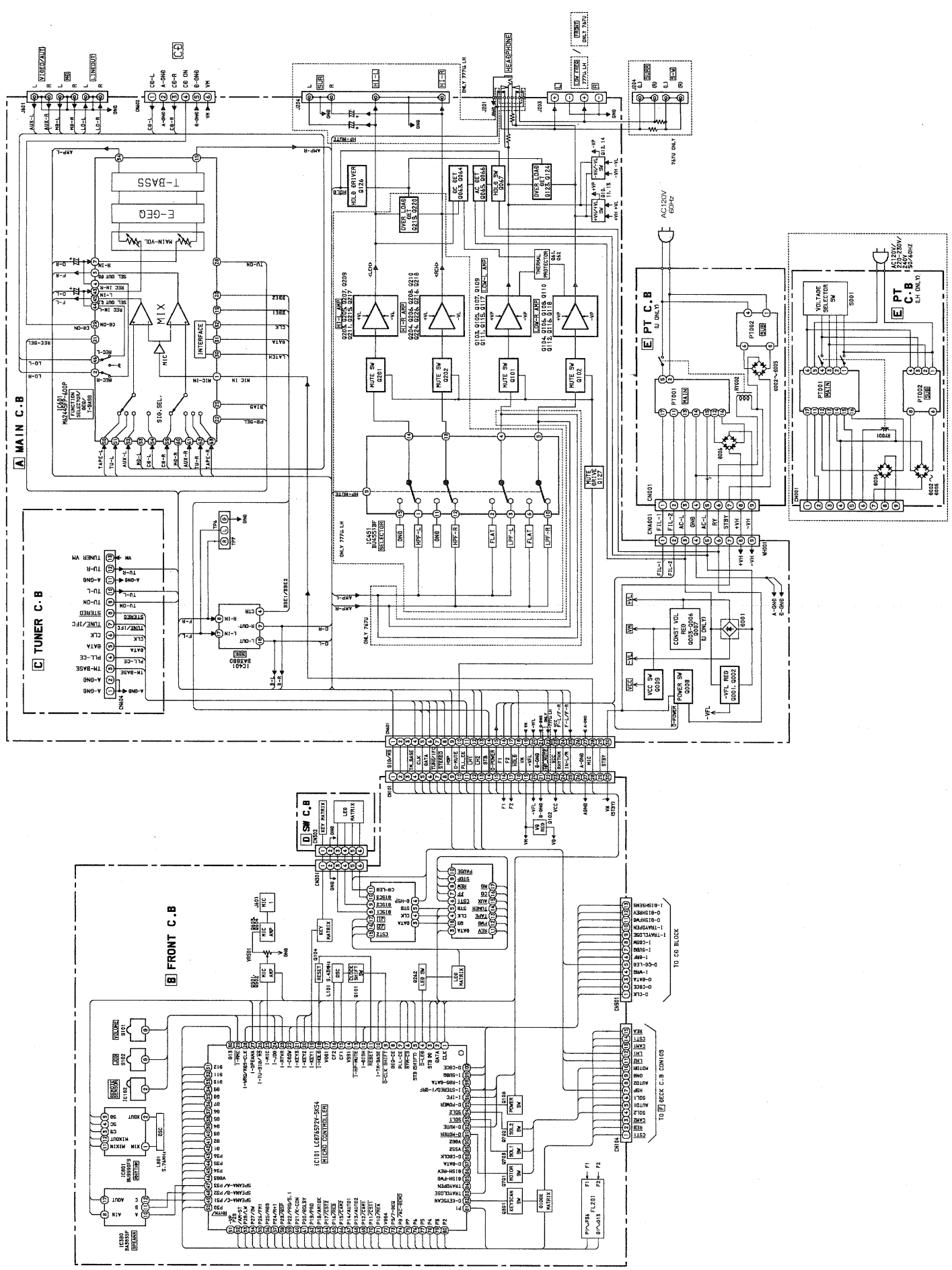


B E C

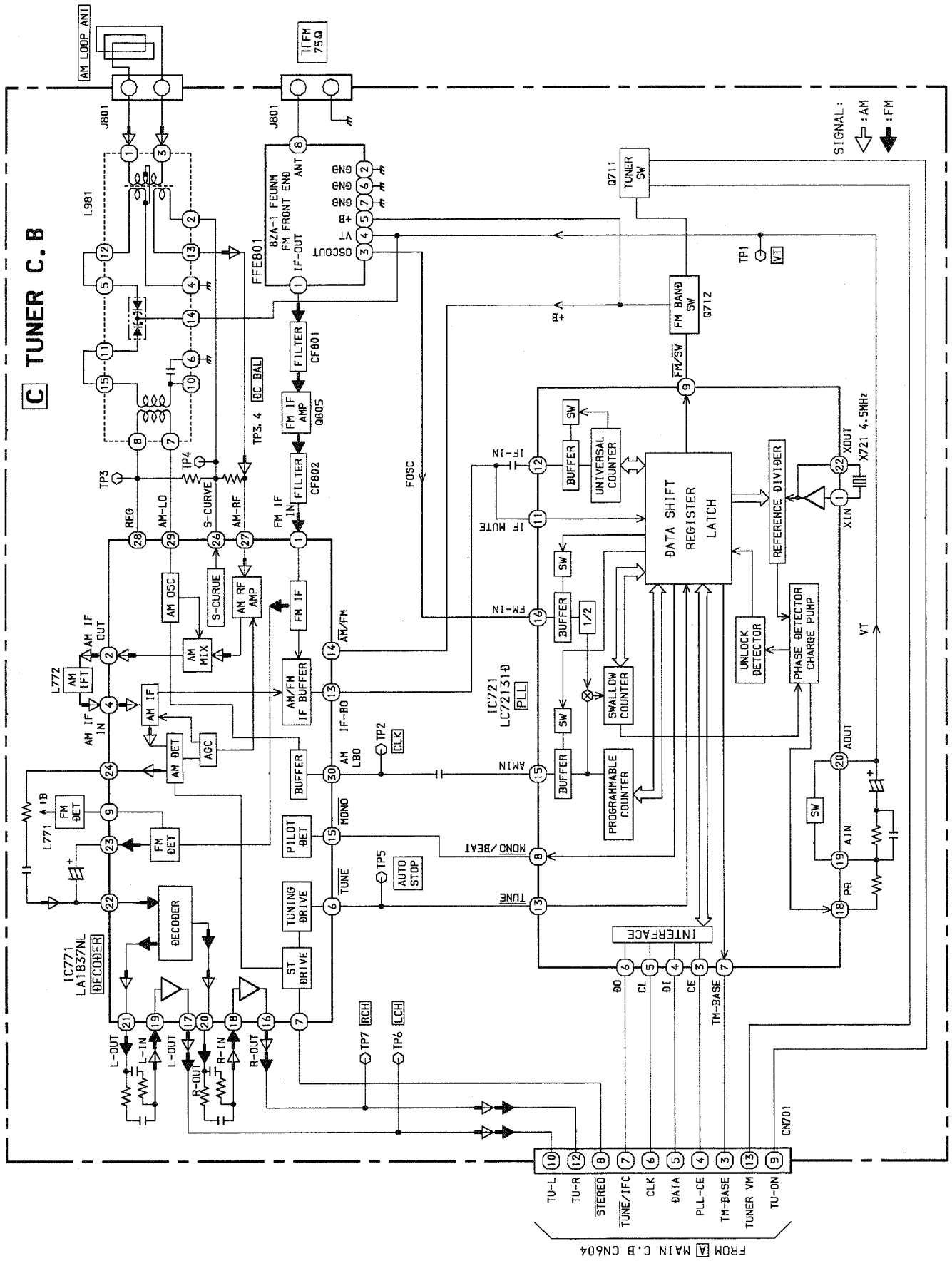
2SA1235F
2SC2714
2SC3052F
2SC3906KR
2SD1306E
2SA1514K
CMBT5551

KTA1298Y
RT1N141C
RT1P144C
RT1P441C
RT1P141C
DTA123EKA

BLOCK DIAGRAM - 1 (MAIN / FRONT)

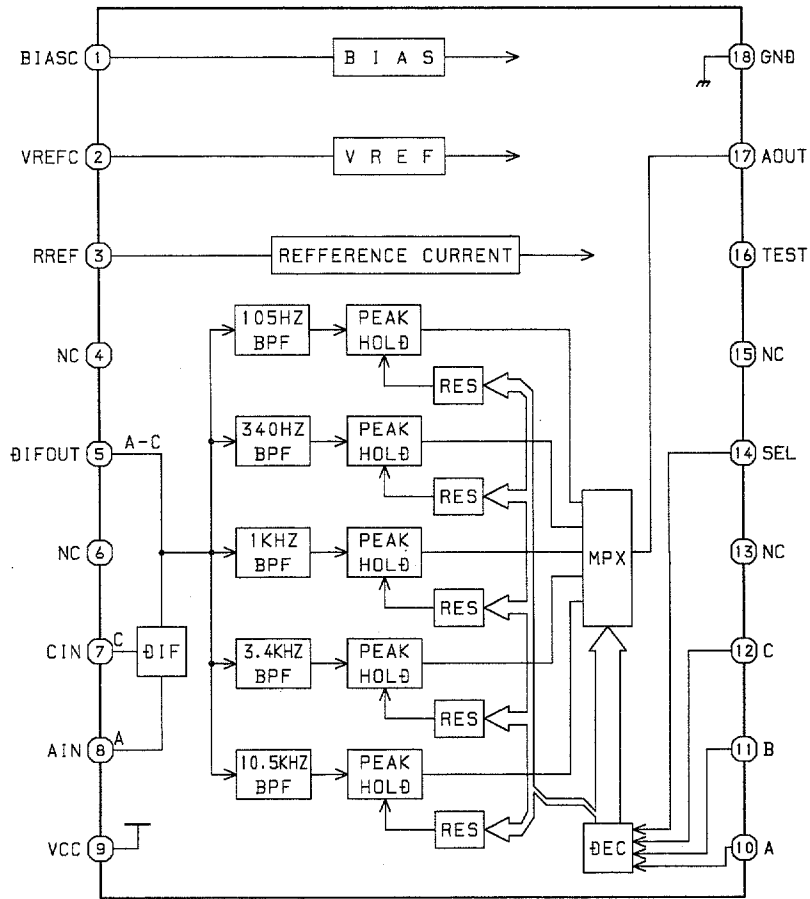


BLOCK DIAGRAM - 2 (TUNER)

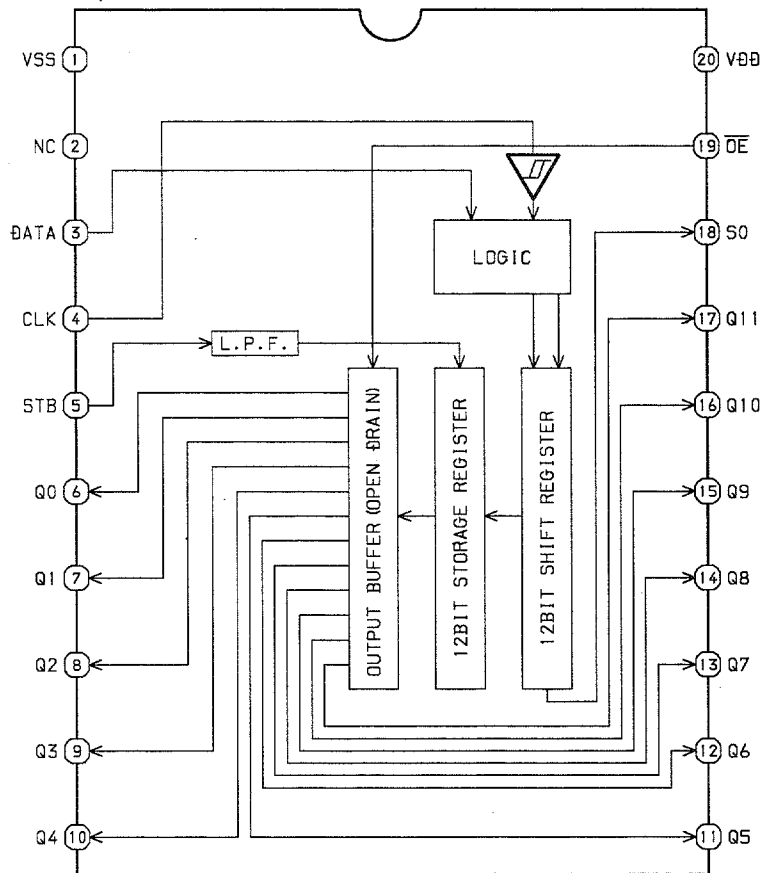


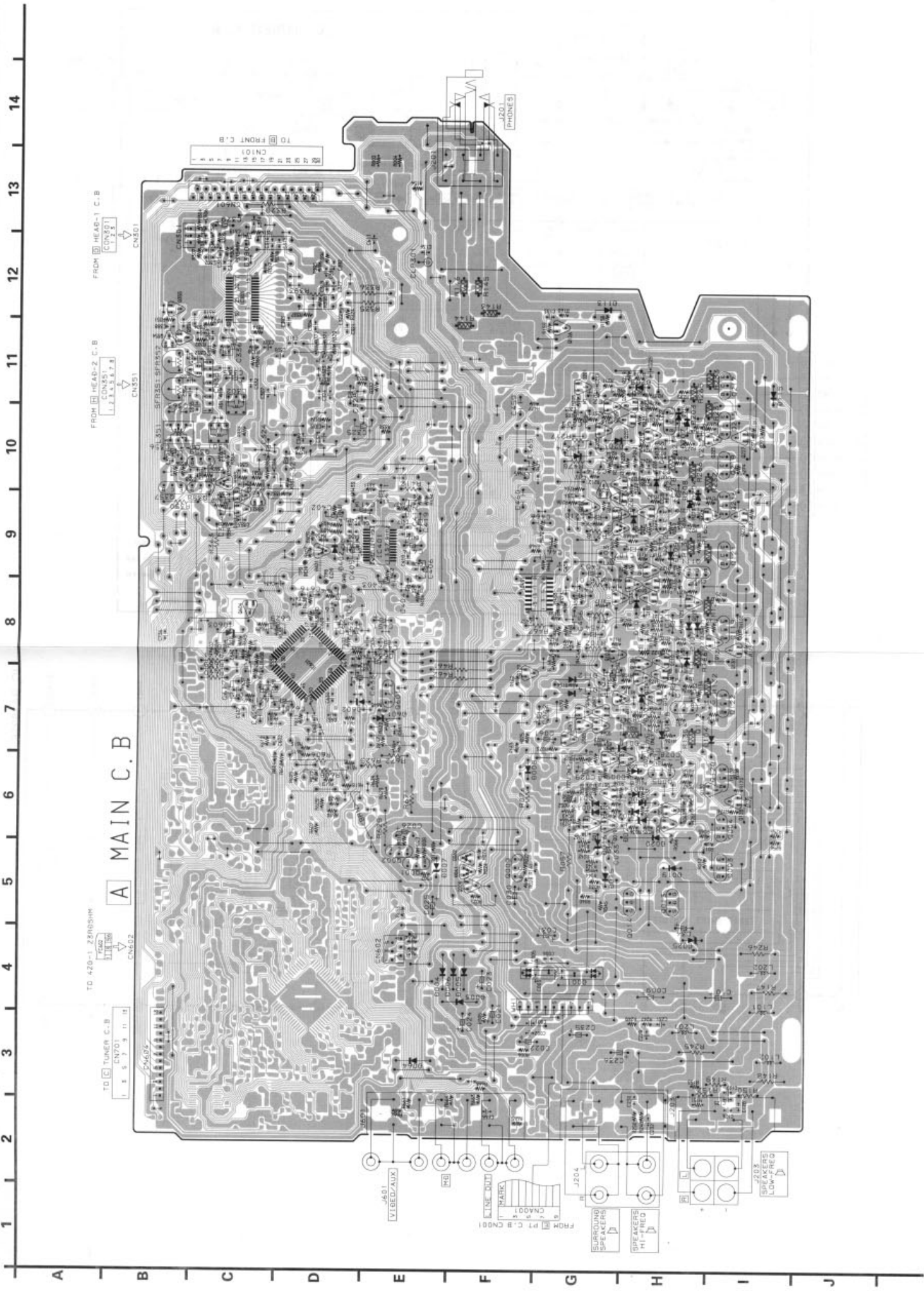
IC BLOCK DIAGRAM - 1

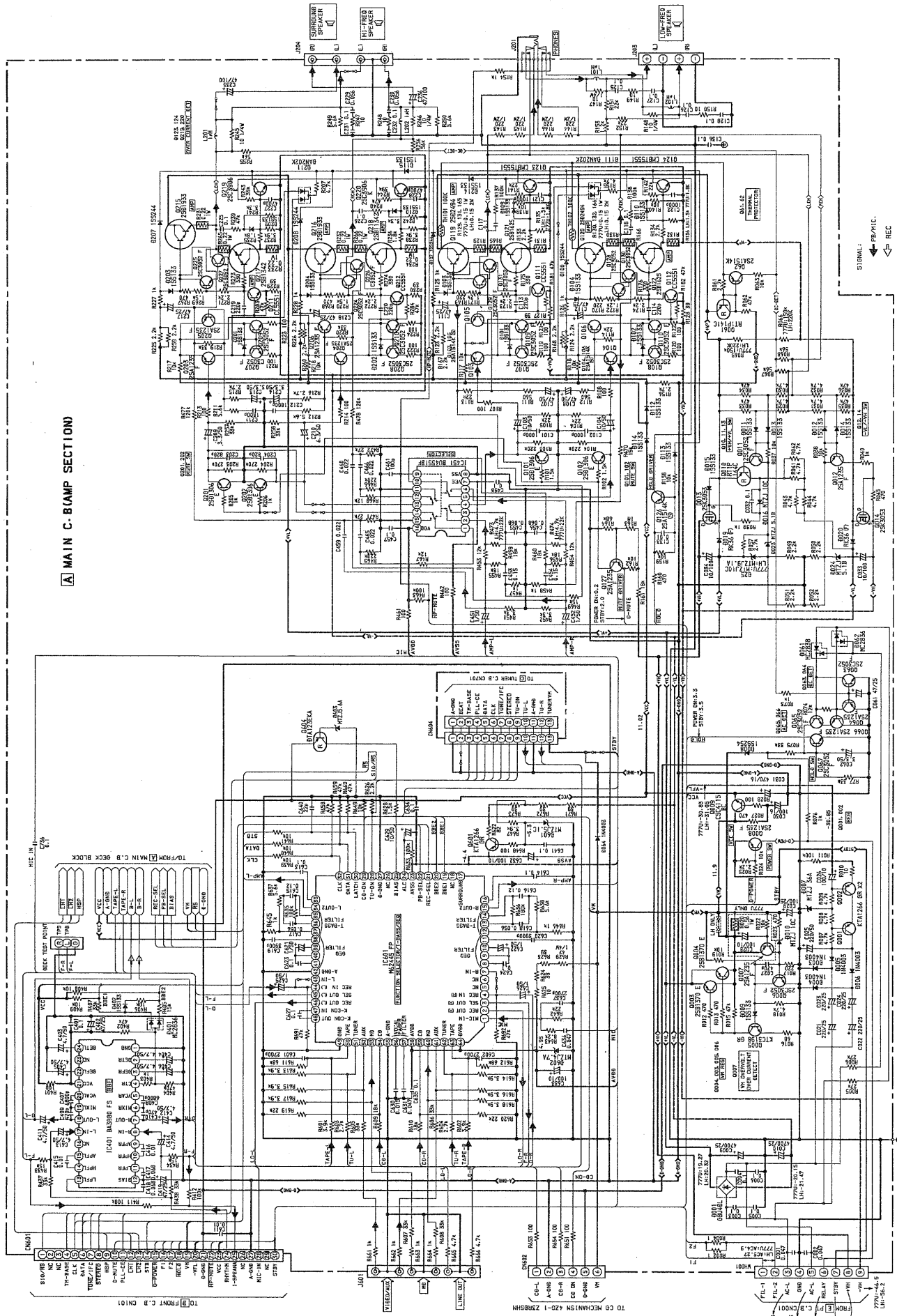
IC, BA3835F



IC, BU2099FV



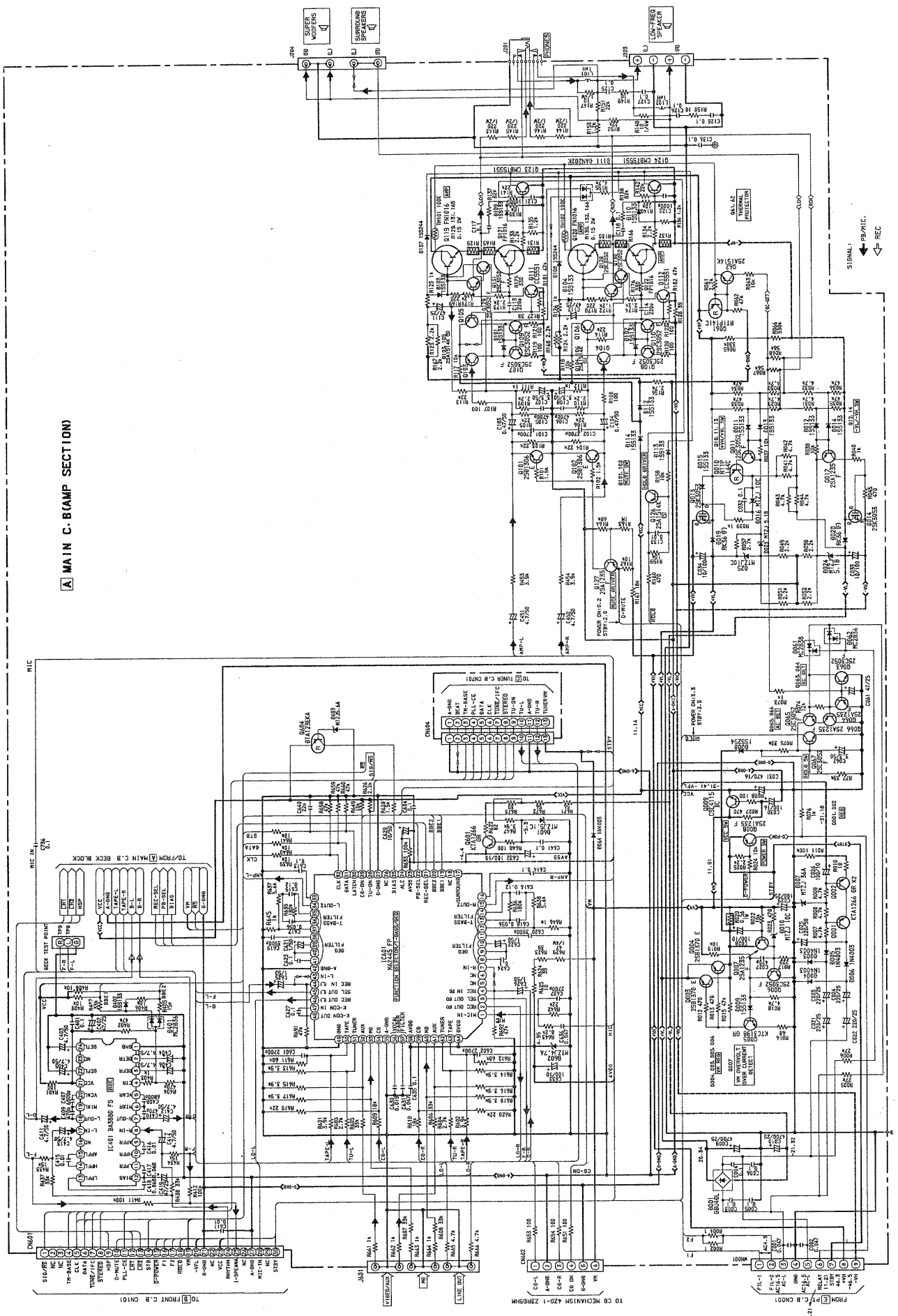




A MAIN C-B (AMP SECTION)

SIGNAL → PPM/REC
← REC

A MAIN C-B(AMP SECTION)



1 2 3 4 5 6 7 8 9 10 11 12 13 14

A B C D E F G H I J

TO [C] TUNER C.B.
CN701
1 5 3 7 9 11 13

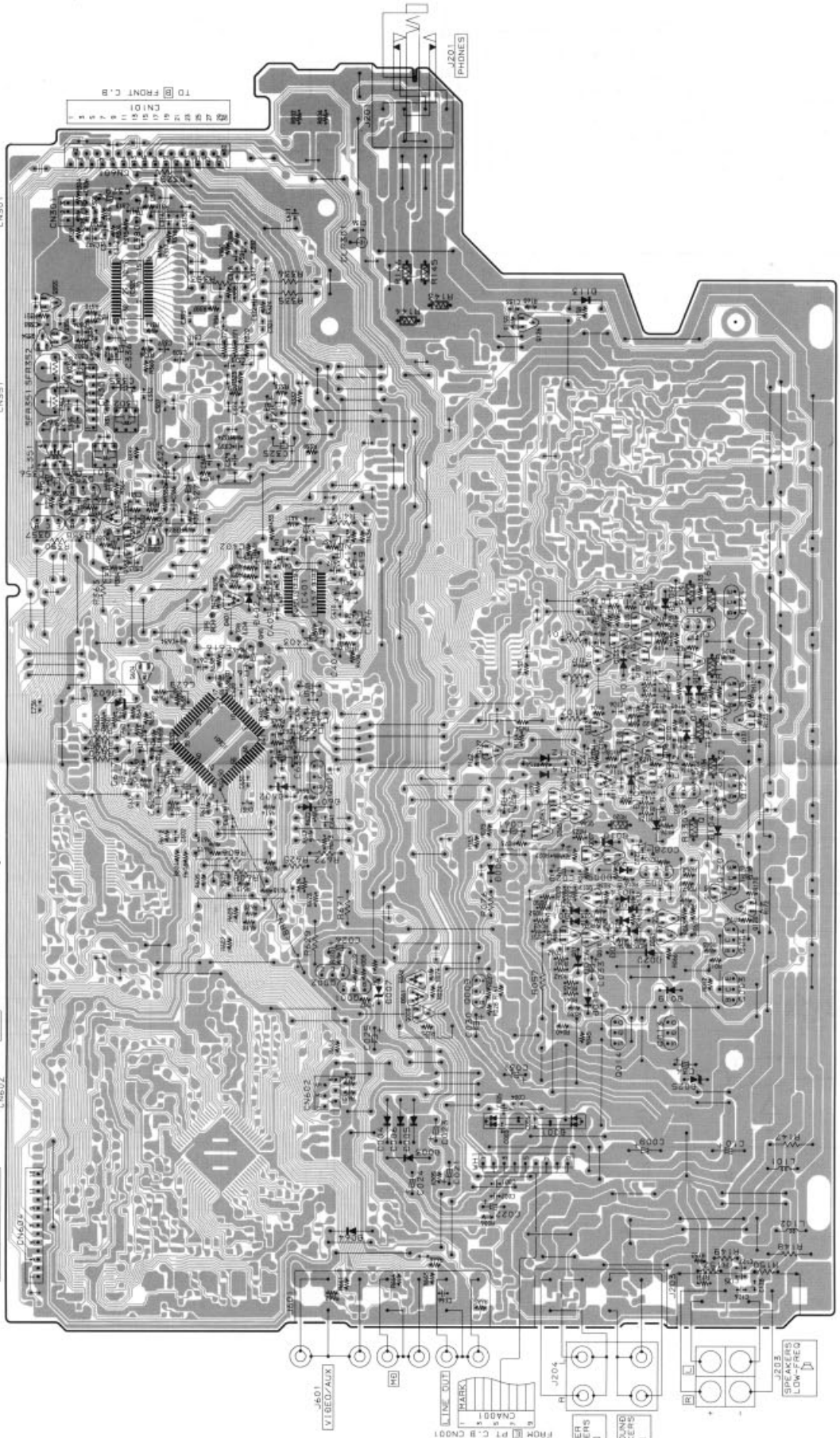
TO 420-1 Z8RDSM
CN602
1 5 3 7 9 11 13

A MAIN C.B.

FROM [D] HEAD-2 C.B.
CN501
1 5 3 7 9 11 13

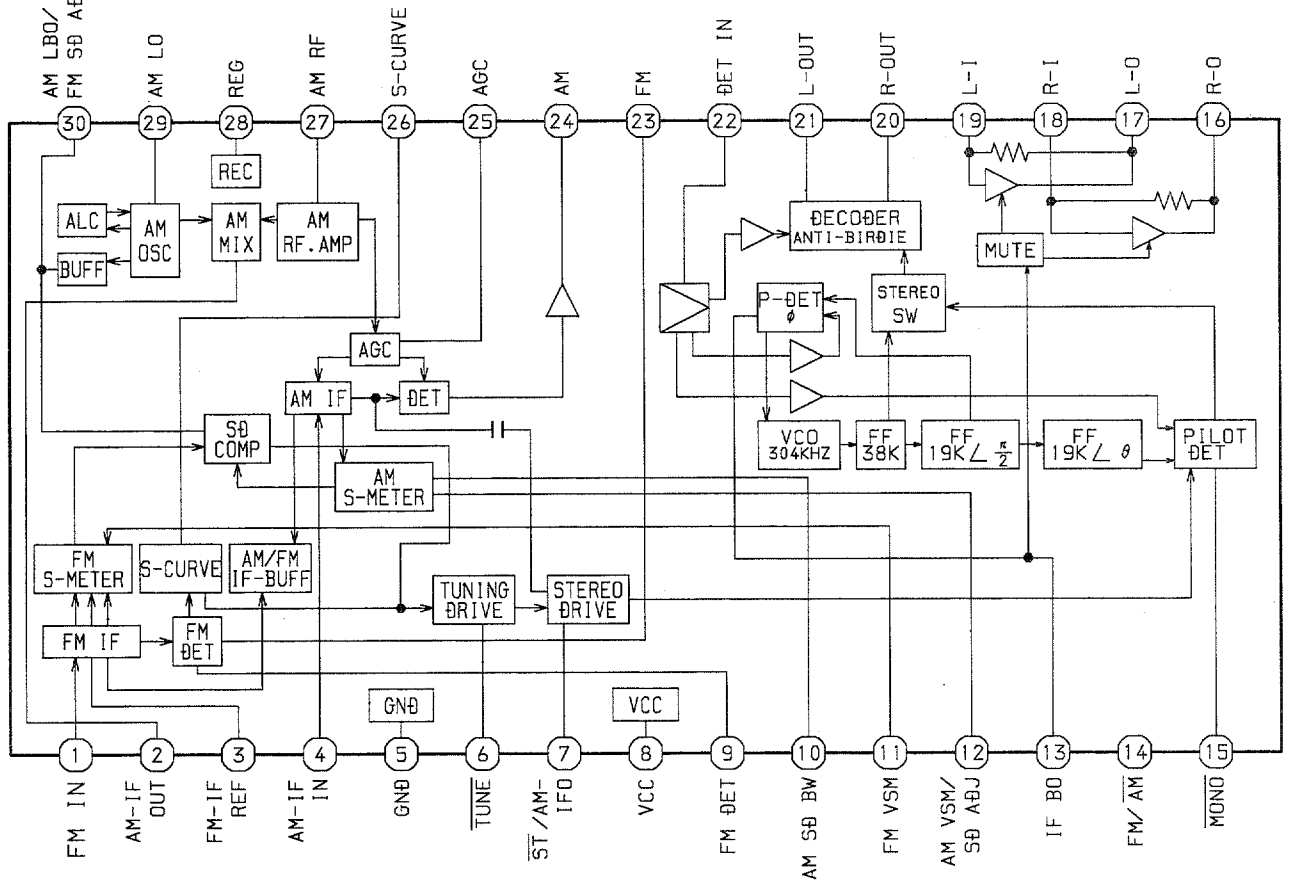
FROM [D] HEAD-1 C.B.
CN501
1 5 3 7 9 11 13

TO [E] FRONT C.B.
CN101
1 5 3 7 9 11 13

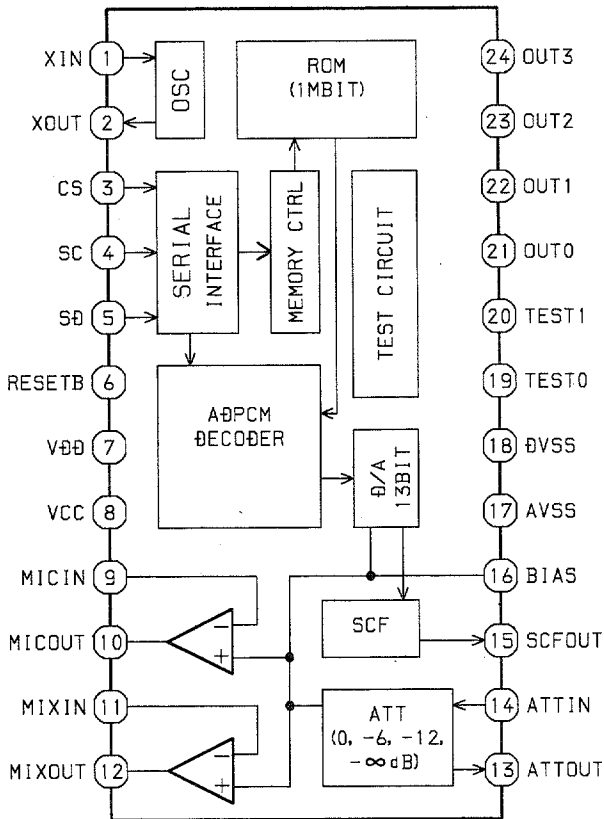


IC BLOCK DIAGRAM - 2

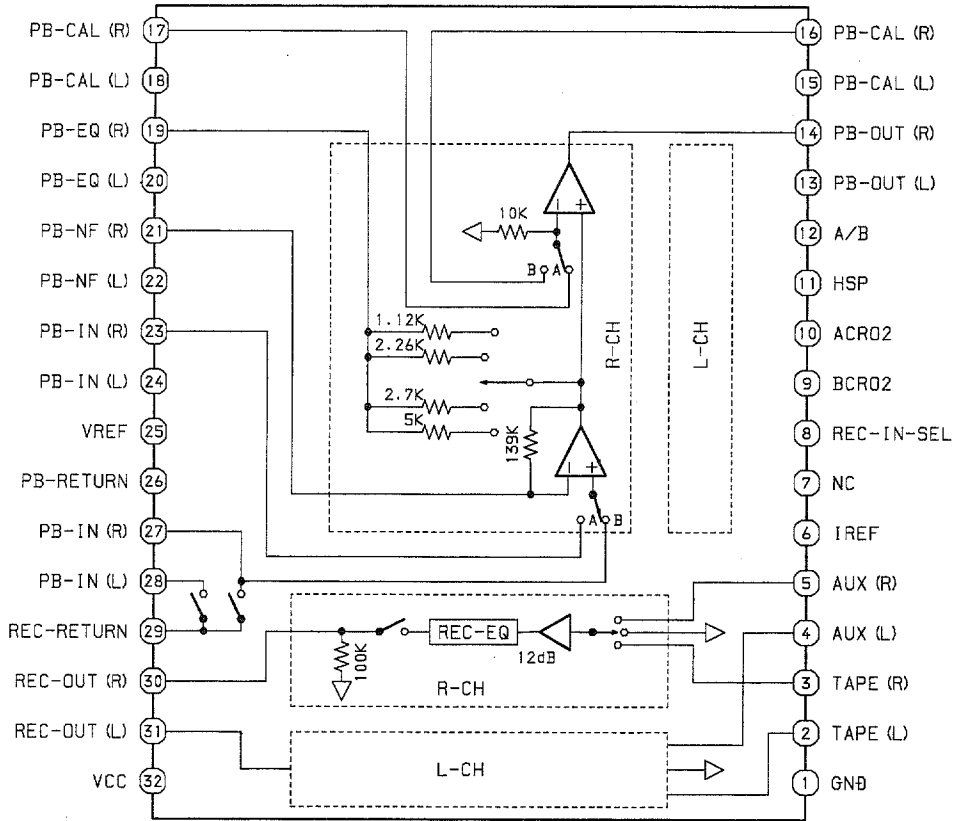
IC, LA1837NL



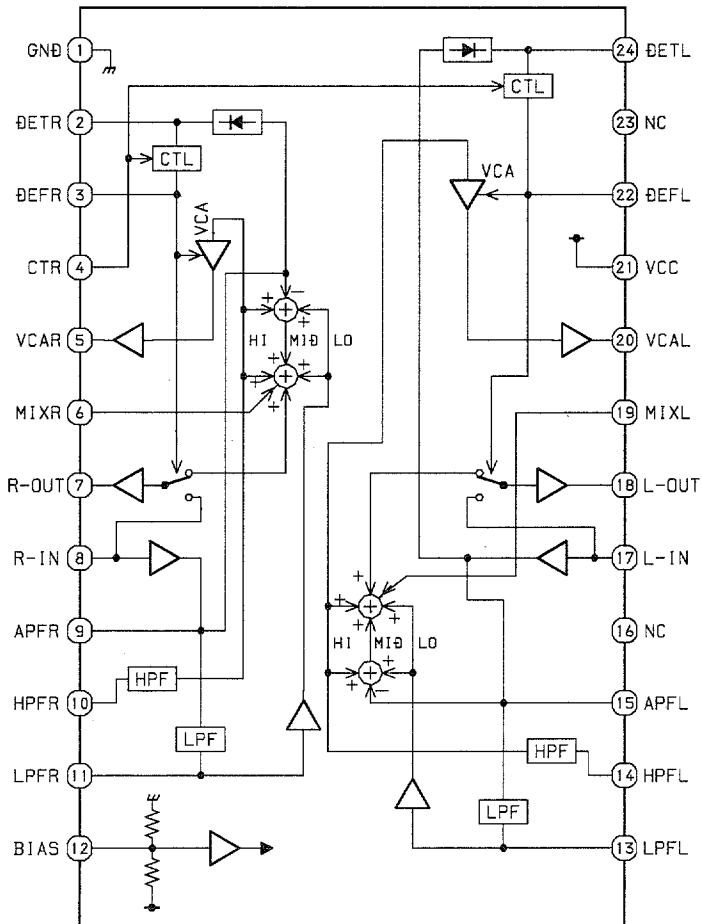
IC, BU9990-03FS



IC, BA7762AFS

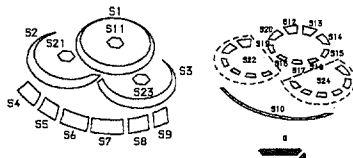
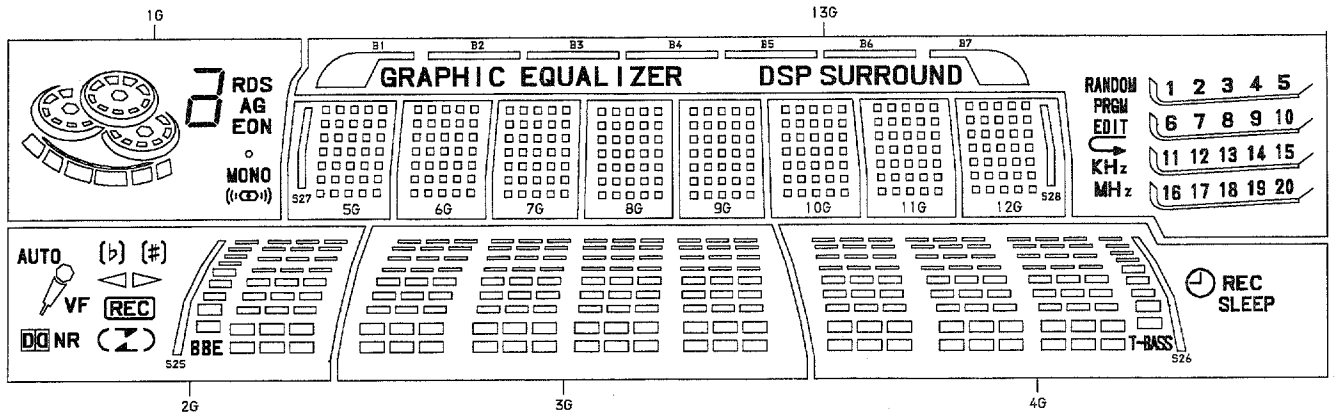


IC, BA3880FS



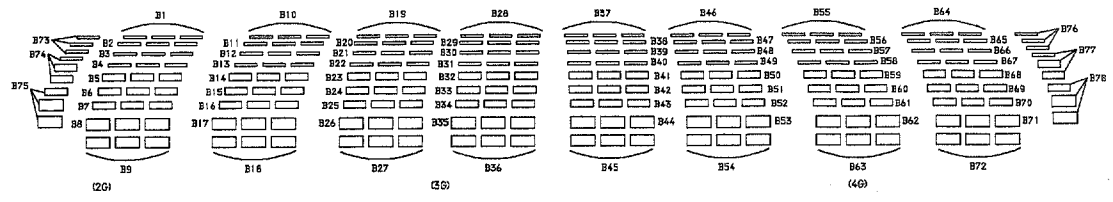
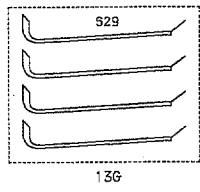
FL (BJ679GK) GRID ASSIGNMENT AND ANODE CONNECTION

GRID ASSIGNMENT


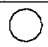
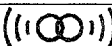
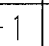
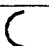



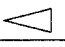
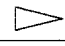




1-1	2-1	3-1	4-1	5-1
1-2	2-2	3-2	4-2	5-2
1-3	2-3	3-3	4-3	5-3
1-4	2-4	3-4	4-4	5-4
1-5	2-5	3-5	4-5	5-5
1-6	2-6	3-6	4-6	5-6
1-7	2-7	3-7	4-7	5-7

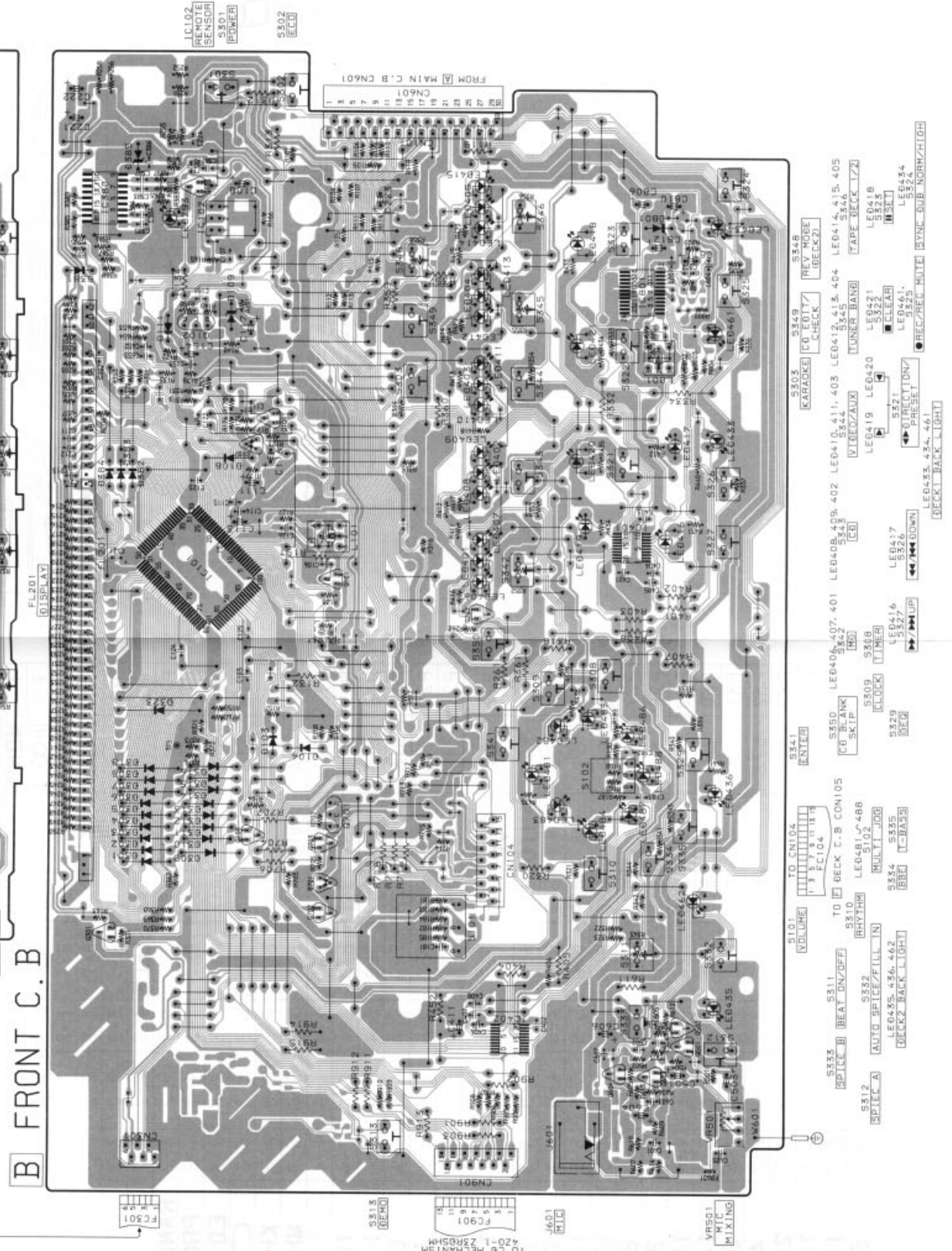
(5G~12G)

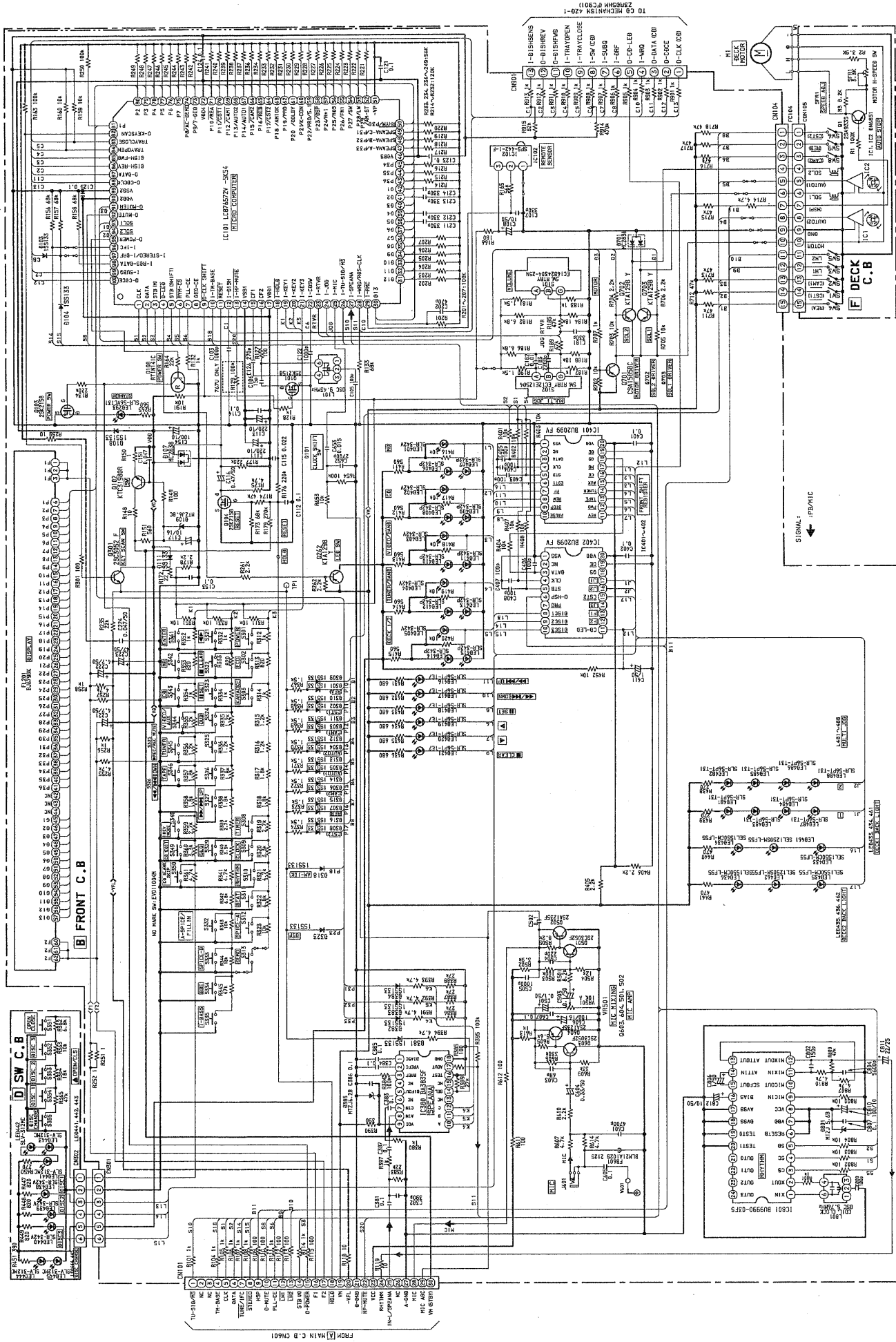


ANODE CONNECTION

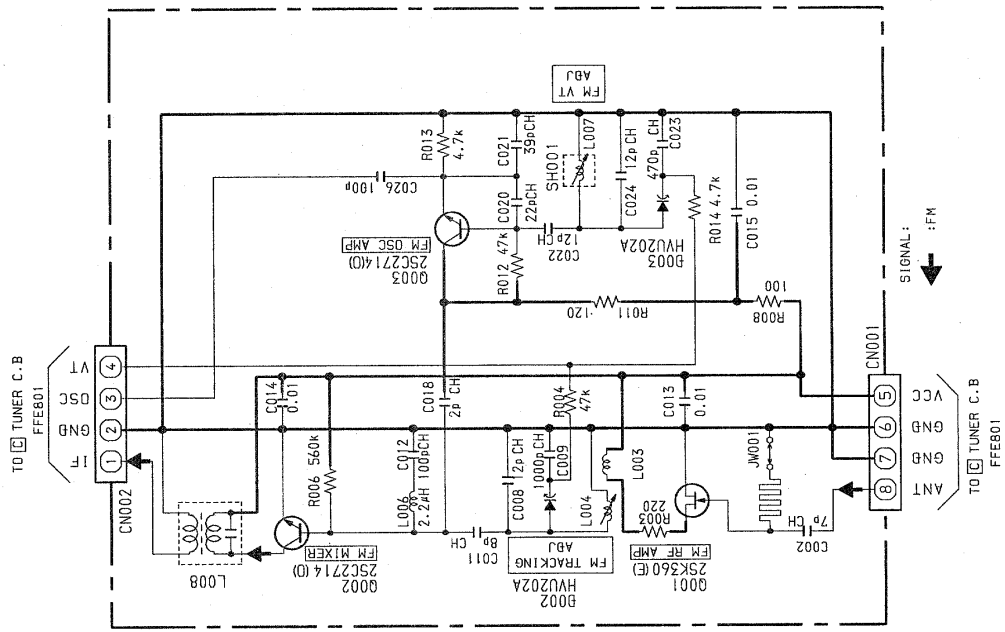
	1G	2G	3G	4G	5G	6G~11G	12G	13G
P1	EON	B9	B45	REC	1-1	1-1	1-1	DSP SURROUND
P2	AG	 NR	B36	B72	2-1	2-1	2-1	GRAPHIC EQUALIZER
P3		BBE	B27	B63	3-1	3-1	3-1	B7
P4	MONO	S25	B18	B54	4-1	4-1	4-1	B6
P5		B8	B44		5-1	5-1	5-1	B5
P6	RDS		B35	B71	1-2	1-2	1-2	B4
P7	b		B26	B62	2-2	2-2	2-2	B3
P8	c		B17	B53	3-2	3-2	3-2	B2
P9	a, g, d	B7	B43	SLEEP	4-2	4-2	4-2	B1
P10	e		B34	B70	5-2	5-2	5-2	RANDOM
P11	S1		B25	B61	1-3	1-3	1-3	PRGM
P12	S12		B16	B52	2-3	2-3	2-3	EDIT
P13	S13	B6	B42	T-BASS	3-3	3-3	3-3	
P14	S20	b #	B33	B69	4-3	4-3	4-3	KHz
P15	S14	[(b)]	B24	B60	5-3	5-3	5-3	MHz
P16	S11	[(#)]	B15	B51	1-4	1-4	1-4	S29
P17	S19	B5	B41	B78	2-4	2-4	2-4	16
P18	S15	B75	B32	B68	3-4	3-4	3-4	11
P19	S18	B74	B23	B59	4-4	4-4	4-4	6
P20	S16	B73	B14	B50	5-4	5-4	5-4	1
P21	S17	B4	B40	B77	1-5	1-5	1-5	17
P22	S3	 VF	B31	B67	2-5	2-5	2-5	12
P23	S24	AUTO	B22	B58	3-5	3-5	3-5	7
P24	S23	—	B13	B49	4-5	4-5	4-5	2
P25	S9	B3	B39	B76	5-5	5-5	5-5	18
P26	S8	—	B30	B66	1-6	1-6	1-6	13
P27	S7	—	B21	B57	2-6	2-6	2-6	8
P28	S6	—	B12	B48	3-6	3-6	3-6	3
P29	S5	B2	B38	B26	4-6	4-6	4-6	19
P30	S4	—	B29	B65	5-6	5-6	5-6	14
P31	S2	—	B20	B56	1-7	1-7	1-7	9
P32	S22	—	B11	B47	2-7	2-7	2-7	4
P33	S21	B1	B37	—	3-7	3-7	3-7	20
P34	S10	—	B28	S64	4-7	4-7	4-7	15
P35	—	—	B19	S55	5-7	5-7	5-7	10
P36	—	—	B10	S46	S27	—	S28	5

A 1 2 3 4 5 6 7 8 9 10 11 12 13 14

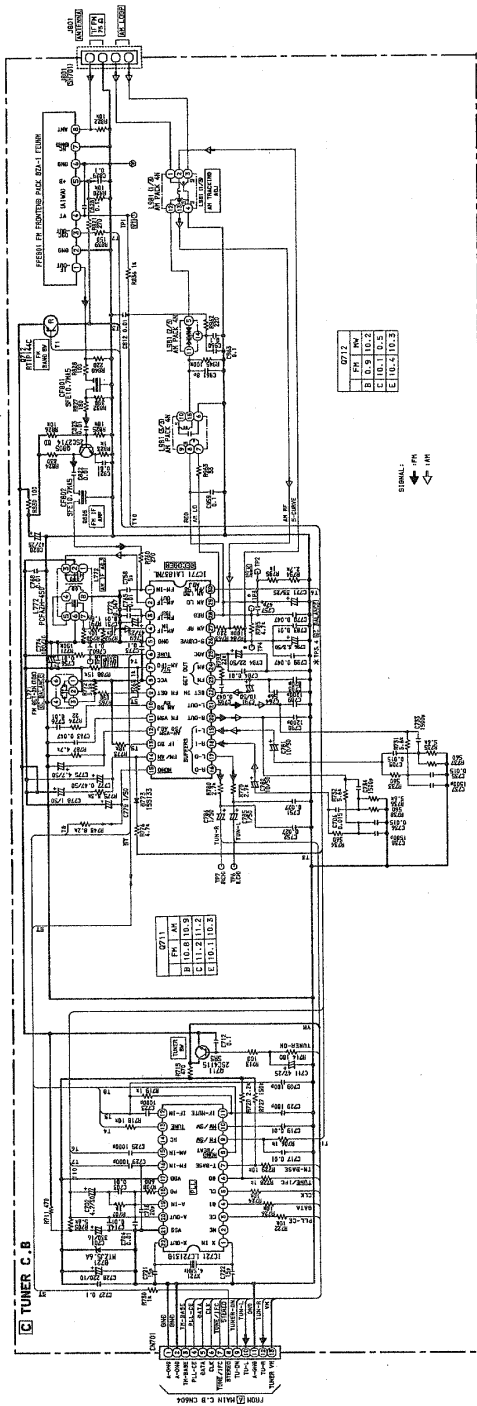




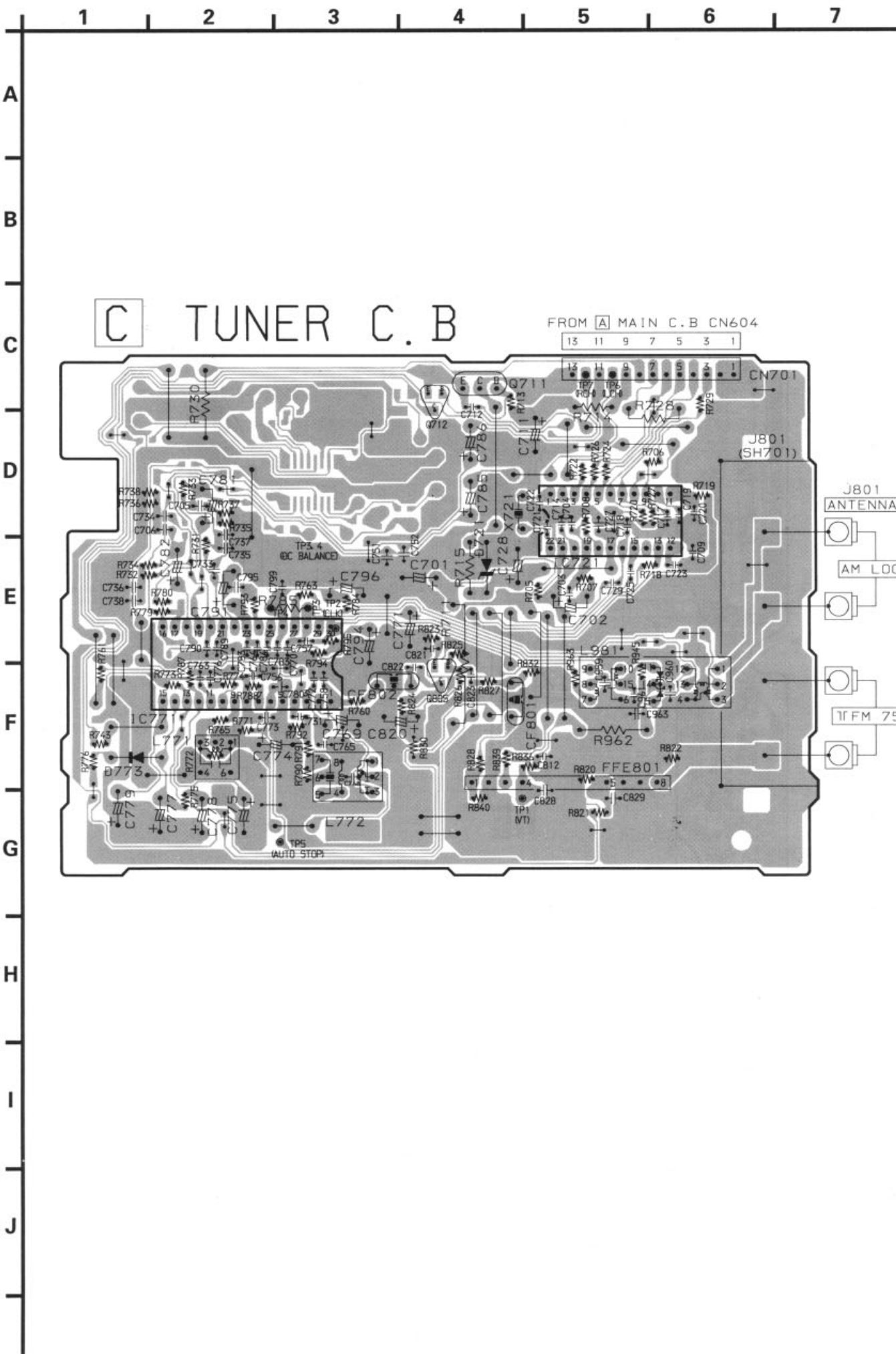
SCHEMATIC DIAGRAM -4 (TUNER FRONTEND)



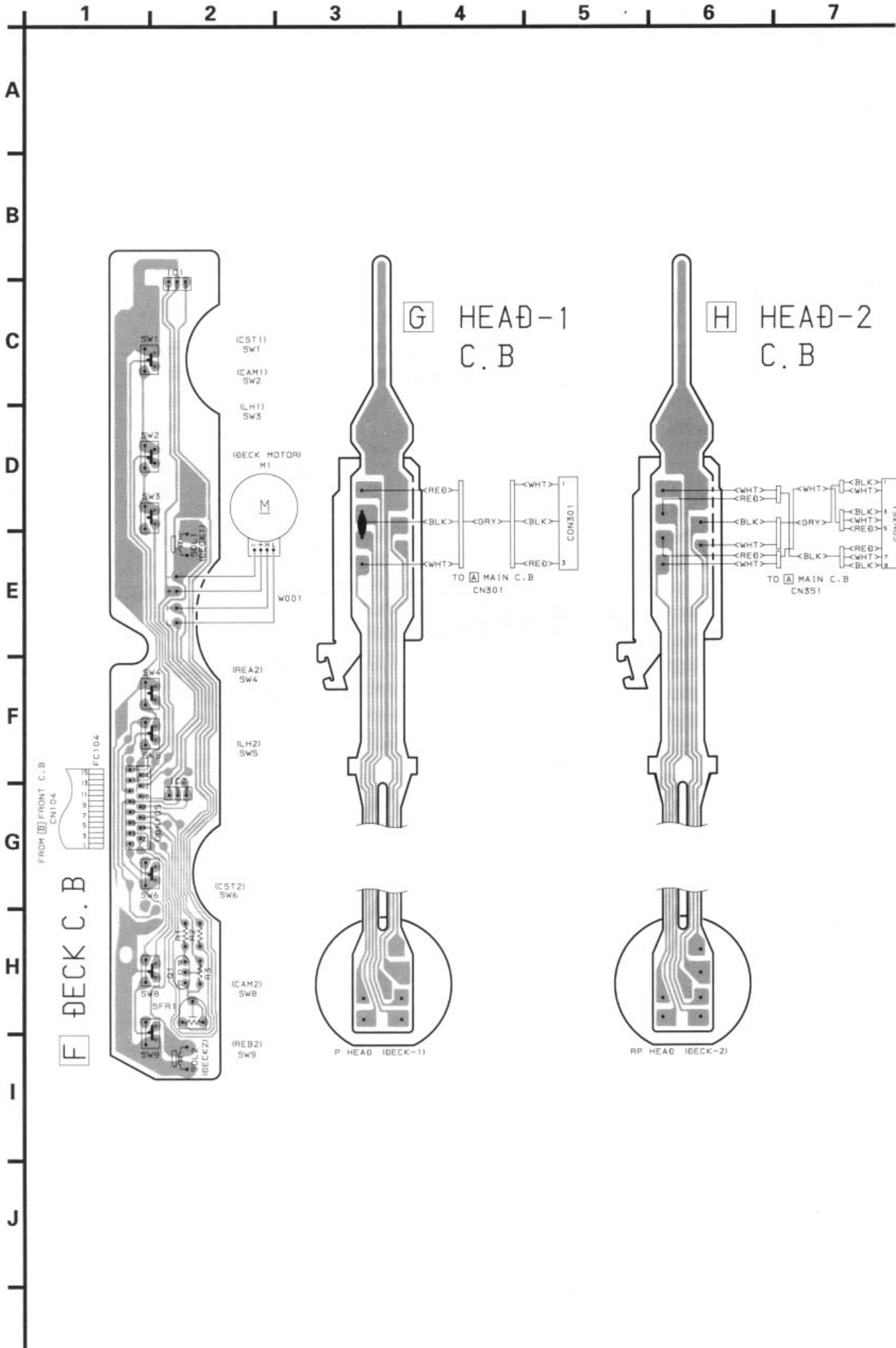
SCHEMATIC DIAGRAM -5 (TUNER)



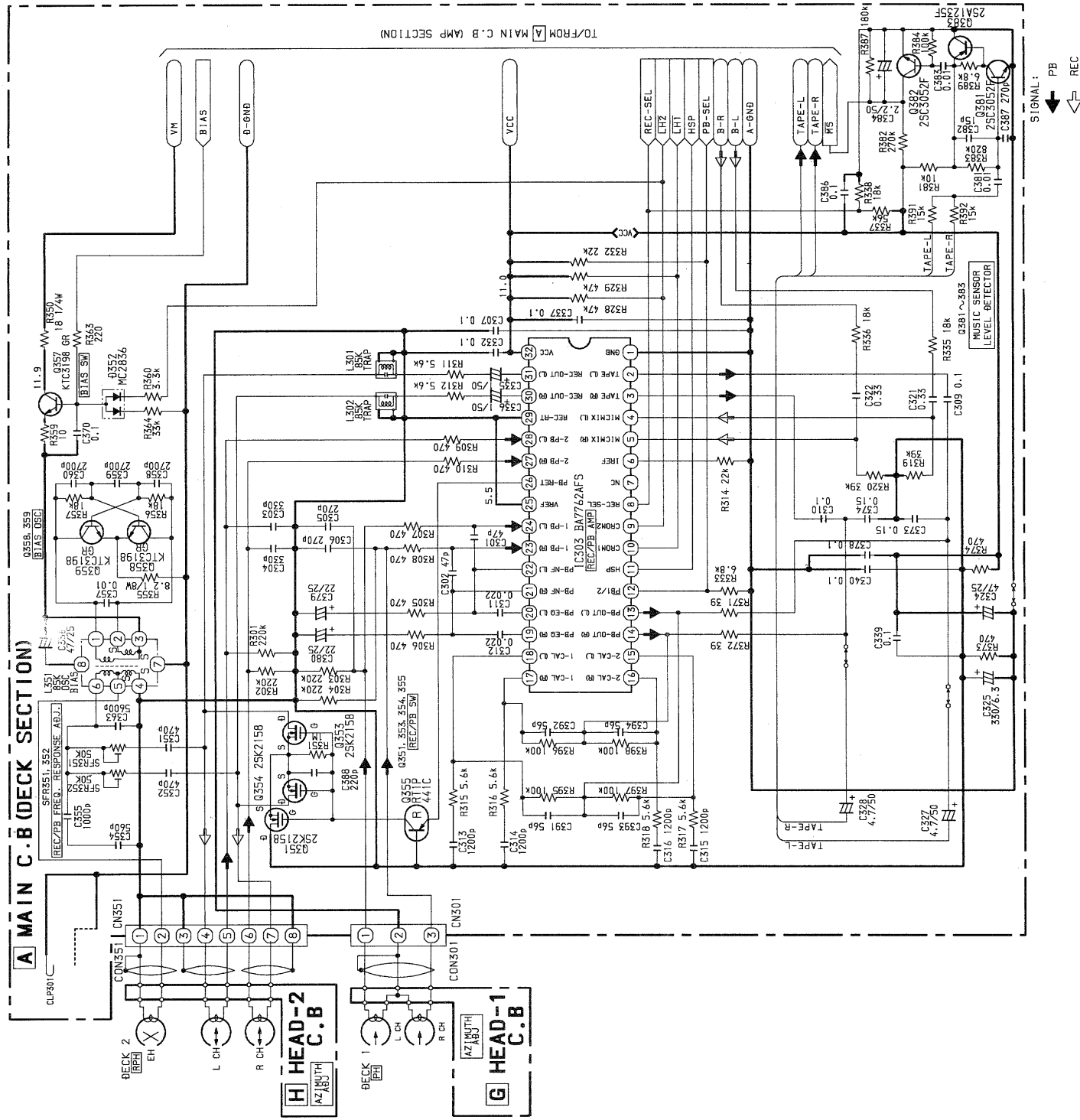
WIRING - 4 (TUNER)

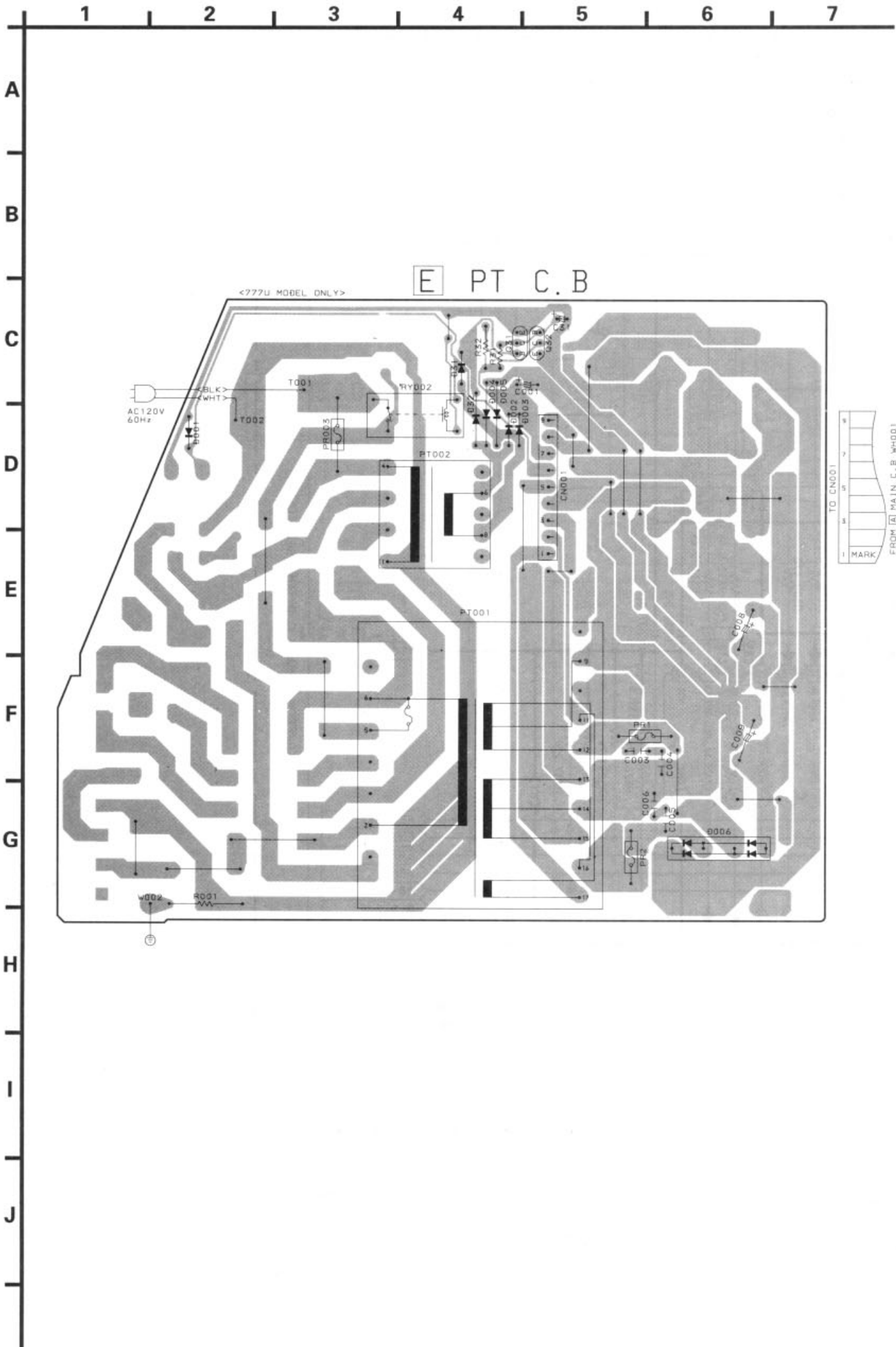


WIRING - 5 (DECK)

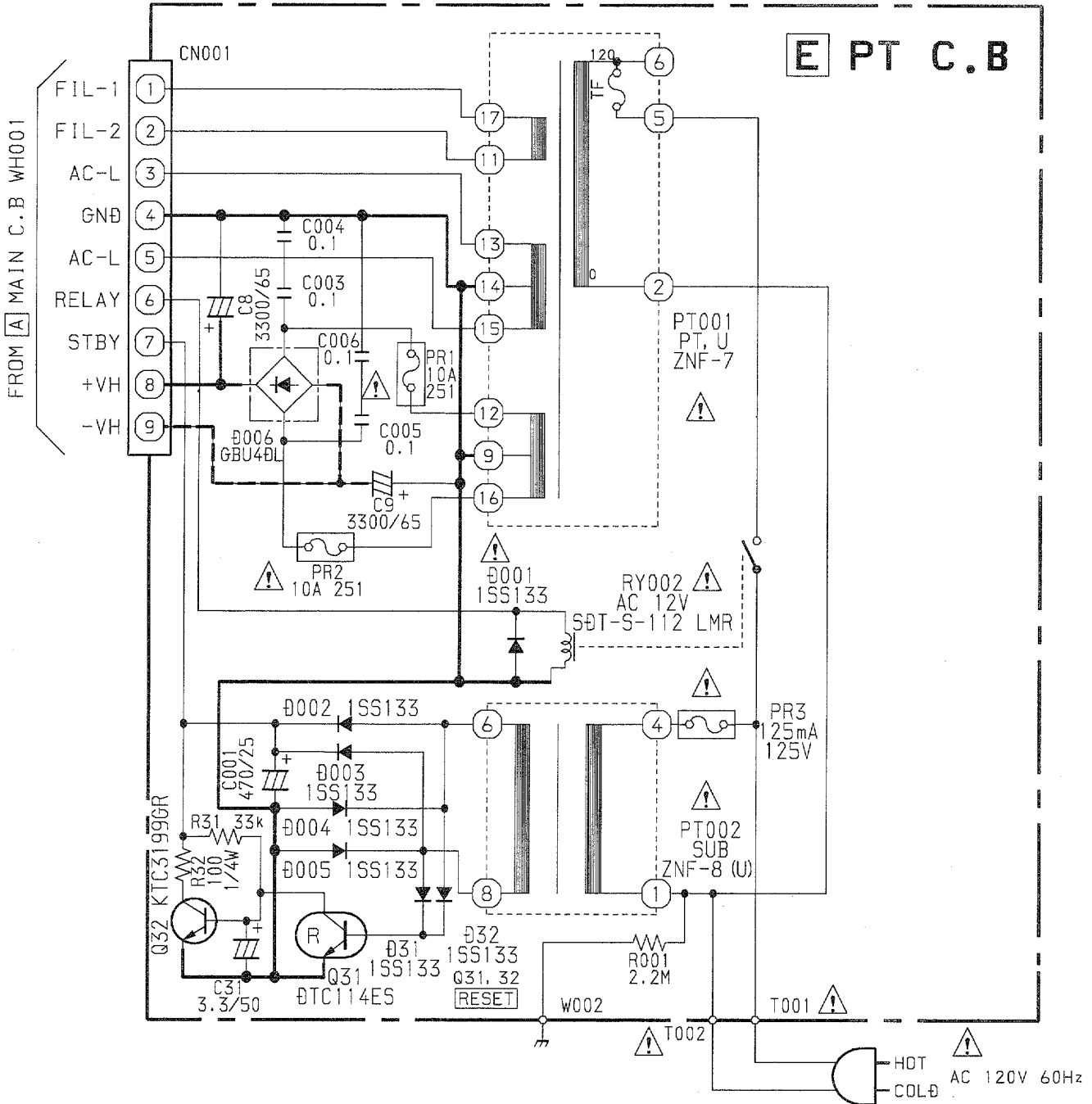


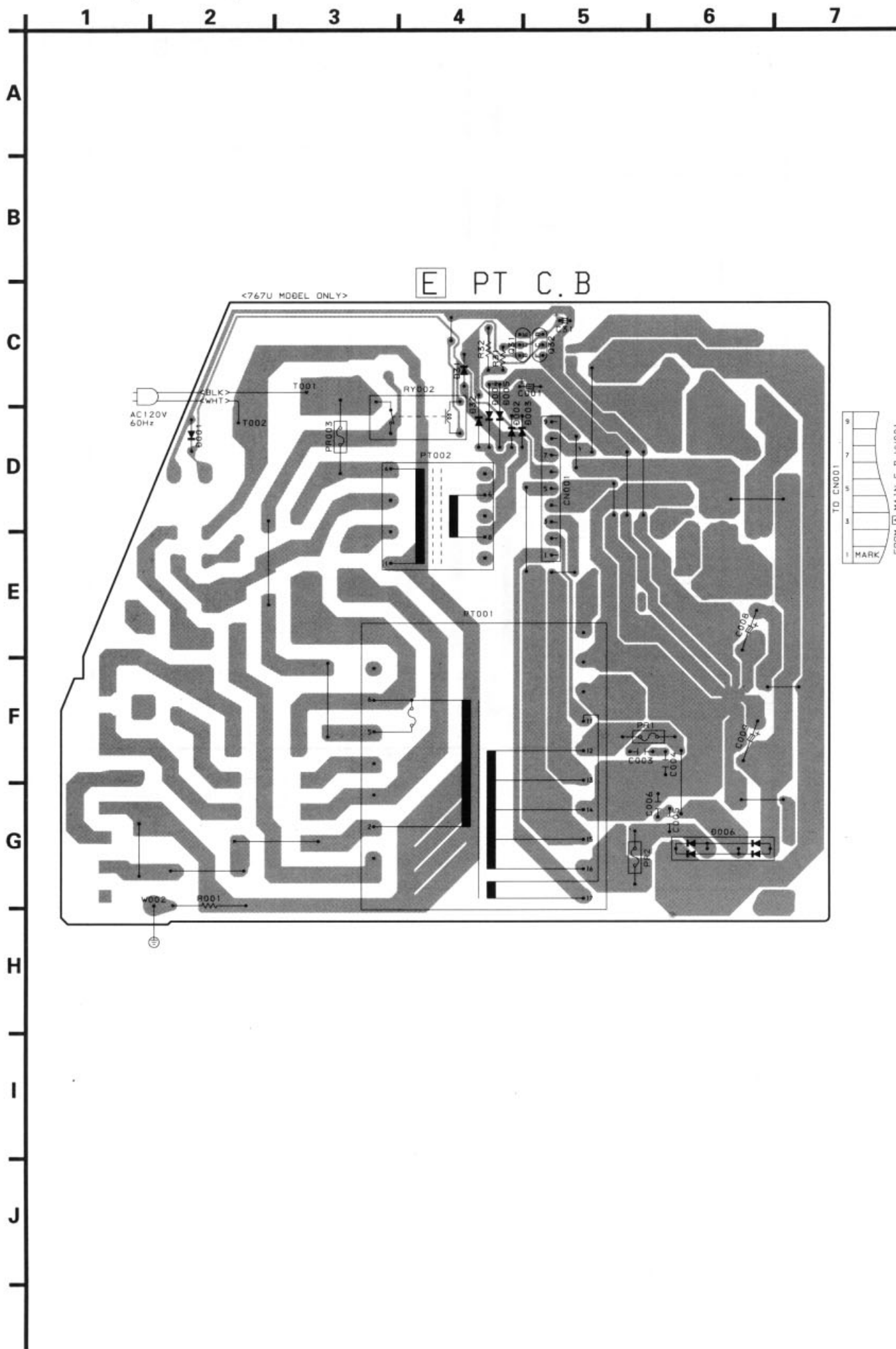
SCHEMATIC DIAGRAM - 6 (MAIN 2 / 2 : DECK)



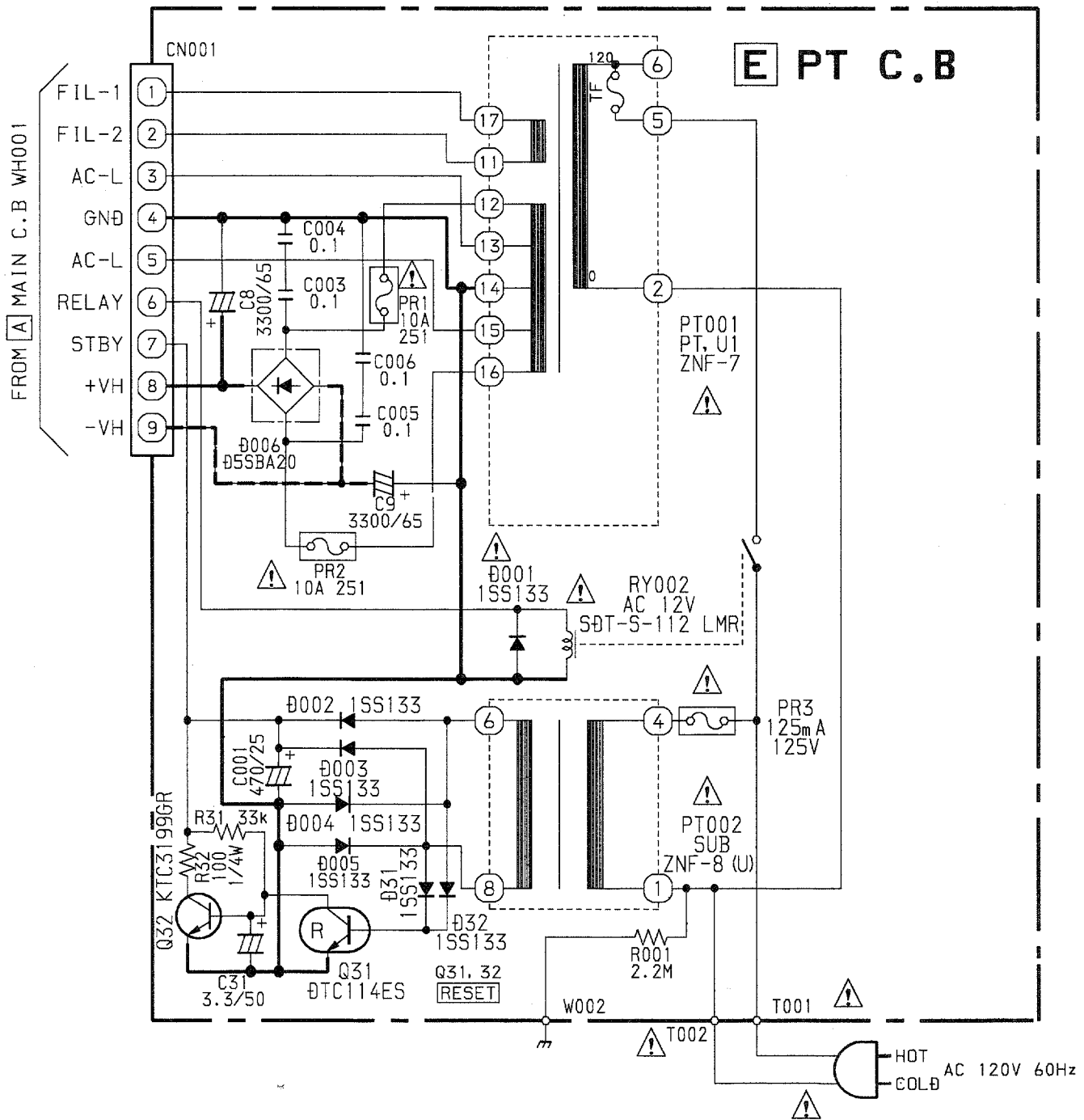


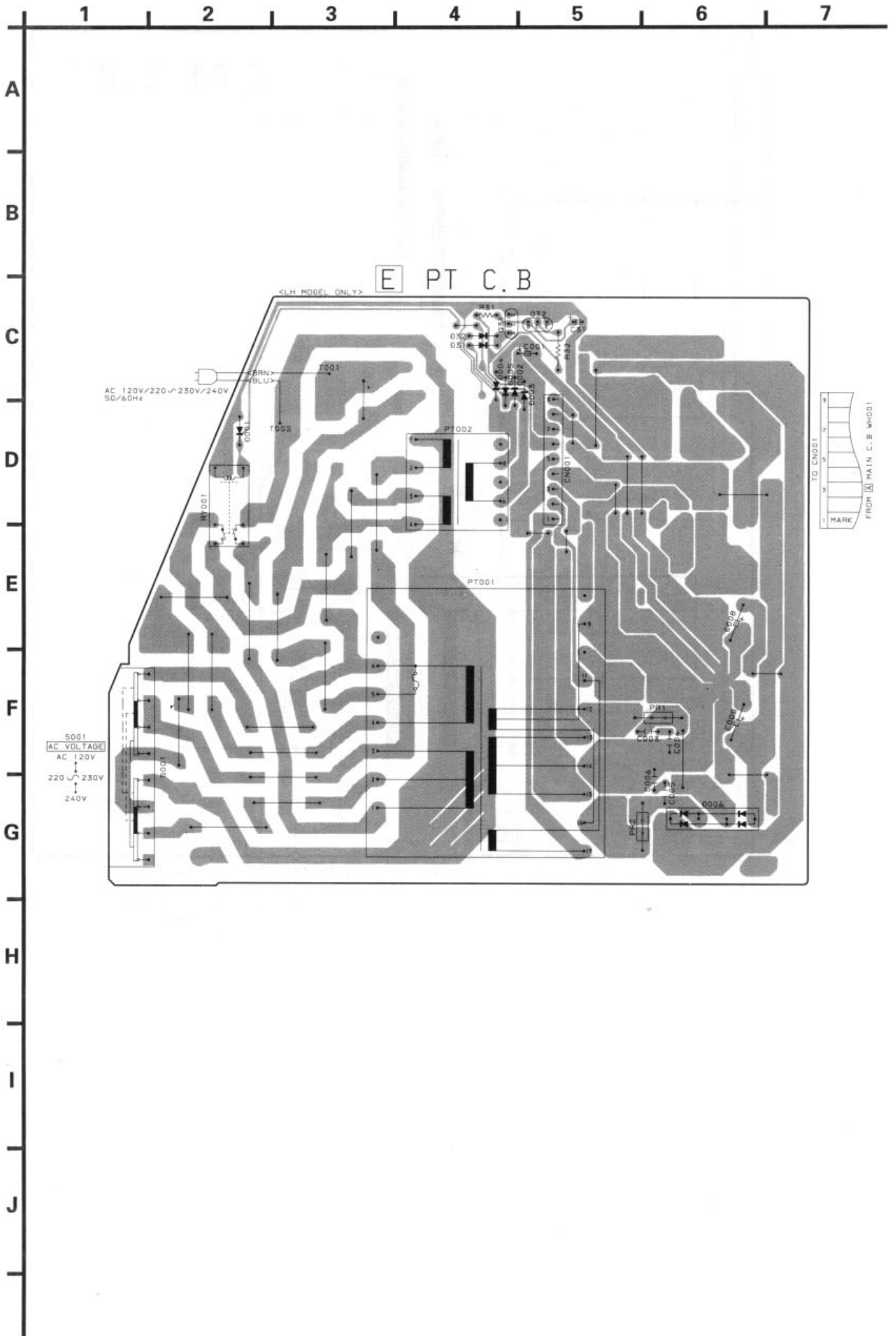
SCHEMATIC DIAGRAM - 7 (PT : 777U)



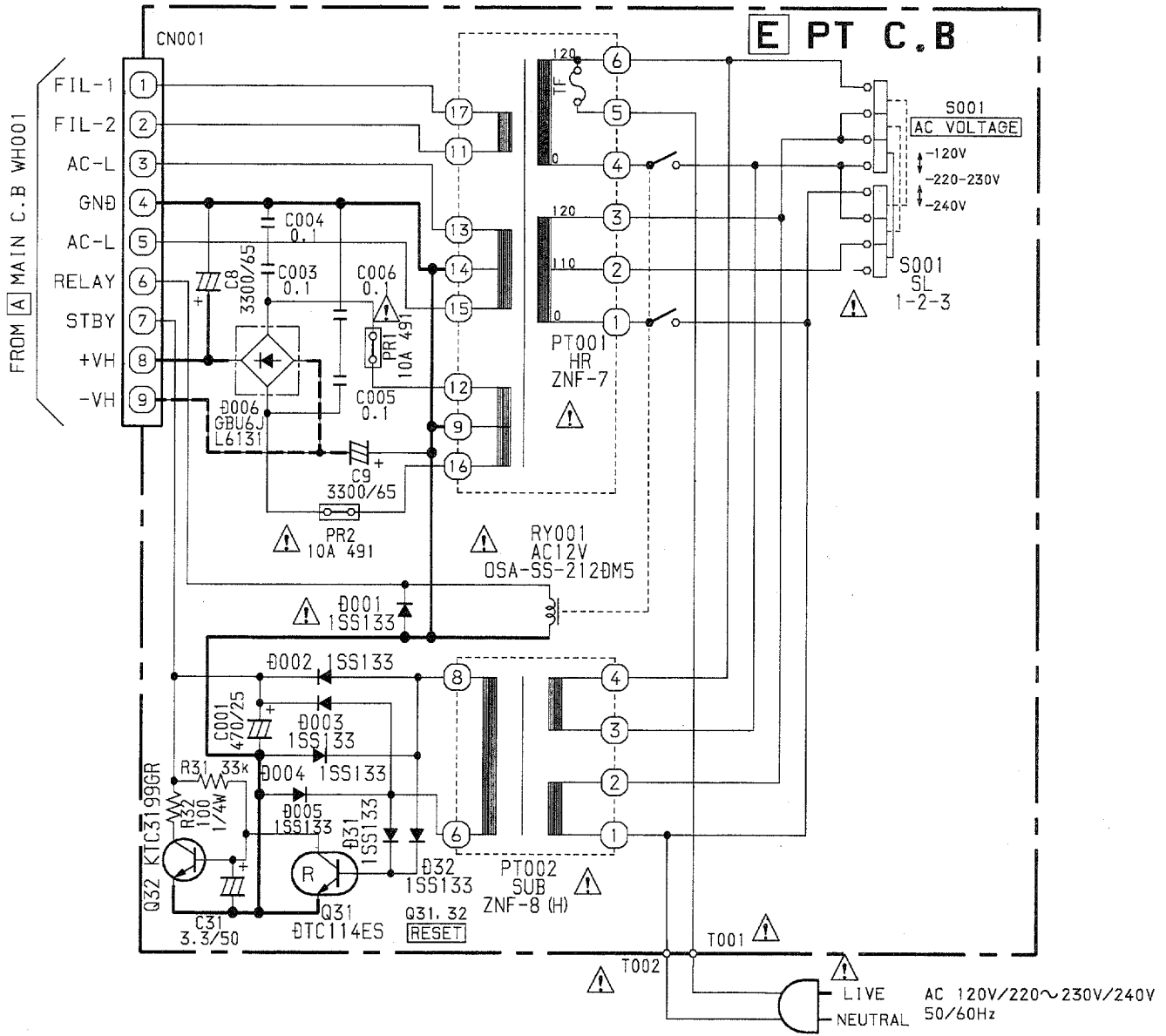


SCHEMATIC DIAGRAM - 8 (PT : 767U)





SCHEMATIC DIAGRAM - 9 (PT : LH)



IC DESCRIPTION

IC, LC876572V-5K54

Pin No.	Pin Name	I/O	Description
1	CLK	O	CLOCK output for MAIN,FRONT PWB.
2	DATA	O	DATA output for MAIN, FRONT PWB.
3	STB (M)	O	Data latch strobe output for MAIN PWB.
4	O-LED	O	LED ON/ OFF output.
5	STB (SHIFT)	O	Latch strobe output for FRONT shift register.
6	R YM-CS	O	Latch strobe output for RHYTHM IC.
7	PLL-CE	O	PLL IC chip enable output.
8	GEQ-CE	O	GEQ IC chip enable output. (Not connected)
9	O-CLK SHIFT	O	TUNER CLOCK SHIFT output.
10	I-TM-BASE	I	REFERENCE CLOCK input for timer watch.
11	RESET	I	Reset input.
12	I-DISH	I	CD turntable photo sensor A/D converter input.
13	I-HP-MUTE	I	Headphone input for MUTE by PROLOGIC.
14	VSS 1	-	GND.
15	CF 1	-	9.43MHz oscillator circuit.
16	CF 2	-	
17	VDD 1	-	Power supply input.
18	I-HOLD	I	Power failure detection input.
19	I-KEY-1	I	KEY input.(A/D)
20	I-KEY-2	I	
21	I-KEY-3	I	
22	I-CD SW	I	CD mechanical switch A/D converter input.
23	I-RTVR	I	Rotary volume A/D level input.
24	I-JOG	I	JOG dial A/D level input.
25	I-MIC	I	Microphone input for AUTO VF.
26	I-TU-SIG / MS	I	Tuner signal and deck music sensor signal input.
27	I-SPEANA	I	A/D input for spectrum analyzer display.
28	I-WRQ / RDS-CLK	I	CD WRQ input / Tuner RDS clock input (Not used).
29	I-RMC	I	System remote control signal input.
30 ~ 42	G13 ~ G1	O	FL GRID output G13 ~ G1.
43 ~ 45	P36 ~ P34	O	FL SEGMENT output P36 ~ P34.
46	VDD3	-	Power supply input.
47	SPEANA-A / P33	O	Spectrum analyzer band switching output A / FL segment P33 output.
48	SPEANA-B / P32	O	Spectrum analyzer band switching output B / FL segment P32 output.
49	SPEANA-C / P31	O	Spectrum analyzer band switching output C / FL segment P31 output.
50	RHYM / P30	I/O	RHYTHM input to diode / FL segment P30 output.
51	-VP	-	Power supply input for FL display.
52	P29 / AM-ST	O	FL segment P29 output / AM-ST input to diode (Not connected).
53	P28 / LW	O	FL segment P28 output / LW input to diode (Not connected).
54	P27 / SW	O	FL segment P27 output / SW input to diode (Not connected).

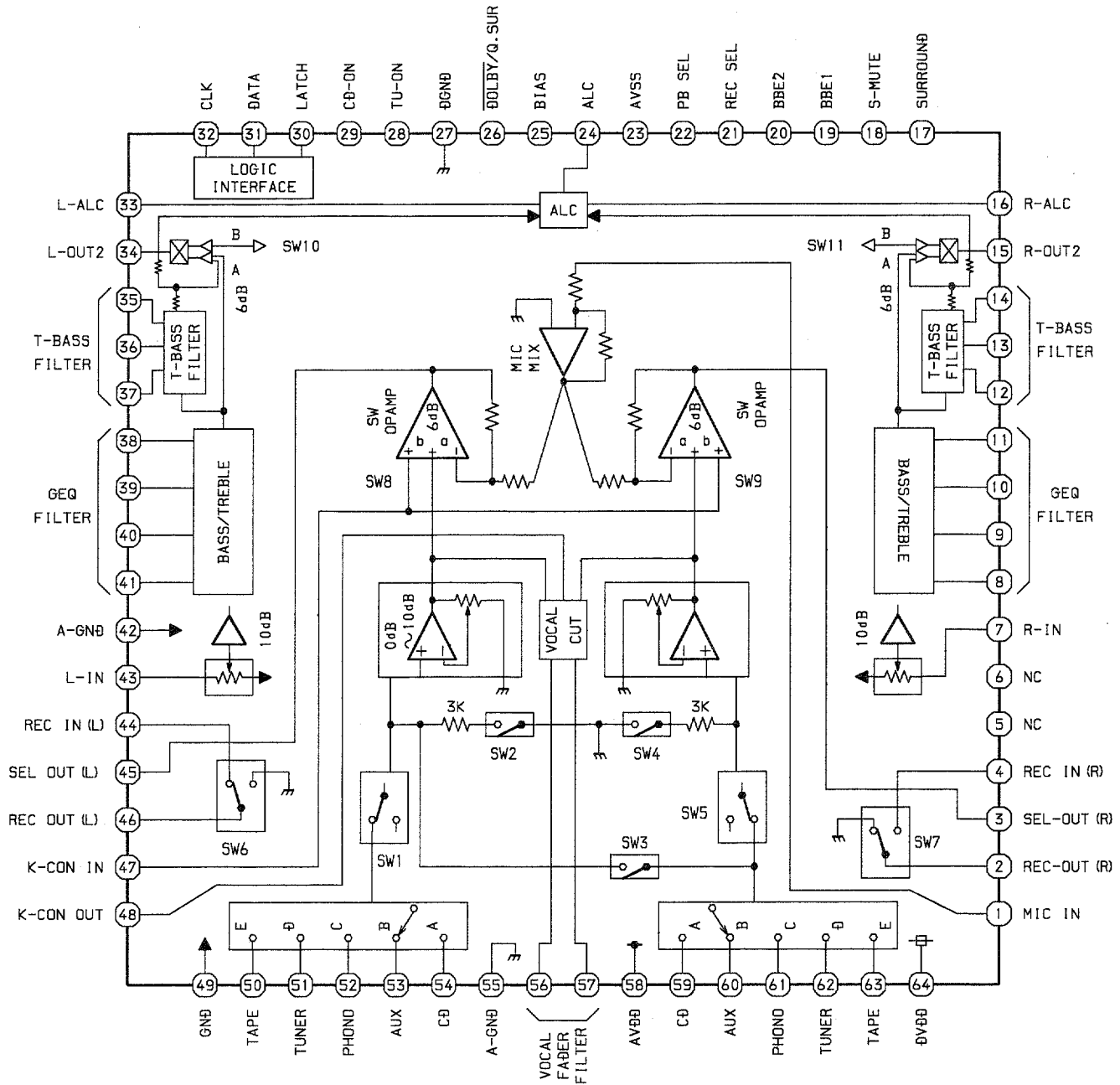
Pin No.	Pin Name	I/O	Description
55	P26 / FM1	O	FL segment P26 output / FM1 (OIRT) input to diode (Not connected).
56	P25 / RDS	O	FL segment P25 output / RDS input to diode (Not connected).
57	P24 / R+1	O	FL segment P24 output / RVS+1 way input to diode (Not connected).
58	P23 / $\overline{\text{DSP}}$	I/O	FL segment P23 output / $\overline{\text{DSP}}$ input to diode.
59	P22 / PRO / 5.1	O	FL segment P22 output / PRO/5.1 input to diode (Not connected).
60	P21 / K-CON	O	FL segment P21 output / K-CON input to diode (Not connected).
61	P20 / DOLBY	O	FL segment P20 output / DOLBY input to diode (Not connected).
62	P19 / PRO	O	FL segment P19 output / PRO input to diode (Not connected).
63	P18 / AM10K	I/O	FL segment P18 output / AM 10KHz input to diode.
64	P17 / $\overline{\text{CTS2}}$	I/O	FL segment P17 output / DECK2 cassette detect switch data input.
65	P16 / $\overline{\text{REB}}$	I/O	FL segment P16 output / DECK2 sideB record OK switch data input.
66	P15 / $\overline{\text{CAM2}}$	I/O	FL segment P15 output / DECK2 CAM switch data input.
67	P14 / AUTO1	I/O	FL segment P14 output / DECK1 AUTO stop signal input.
68	P13 / AUTO2	I/O	FL segment P13 output / DECK2 AUTO stop signal input.
69	P12 / $\overline{\text{CAM1}}$	I/O	FL segment P12 output / DECK1 CAM switch data input.
70	P11 / $\overline{\text{CTS1}}$	I/O	FL segment P11 output / DECK1 cassette detect switch data input.
71	P10 / $\overline{\text{REA}}$	I/O	FL segment P10 output / DECK2 sideA record OK switch data input.
72	VDD4	-	Power supply input.
73	P9 / 7-GEQ	I/O	FL segment P9 output / 7-GEQ input to diode.
74	P8 / $\overline{\text{AC-DEMO}}$	I/O	FL segment P8 output / AC-DEMO input to diode.
75 ~ 81	P7 ~ P1	O	FL segment P7 ~ P1 output.
82	O-KEYSCAN	O	Switch SCAN timing output.
83	TRAYCLOSE	O	CD tray close data output.
84	TRAYOPEN	O	CD tray open data output.
85	DISH-FWD	O	CD turntable forward rotation output.
86	DISH-REV	O	CD turntable reverse rotation output.
87	O-DATA	O	CD data output.
88	O-CDCLK	O	CD clock output.
89	VSS2	-	GND.
90	VDD2	-	Power supply input.
91	O-MOTOR	O	Deck motor $\overline{\text{ON}}$ / OFF output.
92	O-MUTE	O	System mute ON / $\overline{\text{OFF}}$ output.
93	$\overline{\text{SOL1}}$	O	Deck1 solenoid output.
94	$\overline{\text{SOL2}}$	O	Deck2 solenoid output.
95	O-POWER	O	System power supply ON / $\overline{\text{OFF}}$ output.
96	I-IFC	I	Tune IF count serial data input.
97	I-STEREO / I-DRF	I	Tuner stereo detected input / DRF input.
98	I-RDS-DATA	I	RDS data input (Not used).
99	I-SUBQ	I	CD SUBQ data input.
100	O-CDCE	O	CD chip enable output.

IC, LC72131D

Pin No.	Pin Name	I/O	Description																								
1	XIN	I/O	A crystal oscillator (7.2MHz) is connected between these pins.																								
22	XOUT																										
2	NC	-	Not used.																								
3	CE	I	To enable the IC. Active "H".																								
4	DI	I	Digital data input from CPU when relevant key is operated. Active "H".																								
5	CL	I	To clock in the data DI.																								
6	DO	O	Digital data output to CPU.																								
7	T-BASE	O	Outputs a reference clock signal (8Hz) for the clock.																								
8	MONO / BEAT	O	Outputs "H" when BEAT is switched.																								
9	$\overline{\text{FM}} / \overline{\text{SW}}$	O	Outputs "L" or "H" as follows: <table border="1" style="margin-left: 20px;"> <thead> <tr> <th colspan="2">2 BAND</th> <th colspan="3">3 BAND</th> <th colspan="3">3 BAND</th> </tr> <tr> <th>AM</th> <th>FM</th> <th>LW</th> <th>MW</th> <th>FM</th> <th>MW</th> <th>SW</th> <th>FM</th> </tr> </thead> <tbody> <tr> <td>H</td> <td>L</td> <td>H</td> <td>H</td> <td>L</td> <td>H</td> <td>L</td> <td>L</td> </tr> </tbody> </table>	2 BAND		3 BAND			3 BAND			AM	FM	LW	MW	FM	MW	SW	FM	H	L	H	H	L	H	L	L
2 BAND		3 BAND			3 BAND																						
AM	FM	LW	MW	FM	MW	SW	FM																				
H	L	H	H	L	H	L	L																				
10	$\overline{\text{MW}}/\overline{\text{SW}}$	O	Outputs "L" or "H" as follows: <table border="1" style="margin-left: 20px;"> <thead> <tr> <th colspan="2">2 BAND</th> <th colspan="3">3 BAND</th> <th colspan="3">3 BAND</th> </tr> <tr> <th>AM</th> <th>FM</th> <th>LW</th> <th>MW</th> <th>FM</th> <th>MW</th> <th>SW</th> <th>FM</th> </tr> </thead> <tbody> <tr> <td>L</td> <td>L</td> <td>H</td> <td>L</td> <td>L</td> <td>L</td> <td>H</td> <td>L</td> </tr> </tbody> </table>	2 BAND		3 BAND			3 BAND			AM	FM	LW	MW	FM	MW	SW	FM	L	L	H	L	L	L	H	L
2 BAND		3 BAND			3 BAND																						
AM	FM	LW	MW	FM	MW	SW	FM																				
L	L	H	L	L	L	H	L																				
11	IF-MUTE	O	To control internal counter.																								
12	IFIN	I	General purpose counter input.																								
13	$\overline{\text{TUNE}}$	I	Receives "L" when station is tuned.																								
14	NC	-	Not used.																								
15	AM IN	I	Receives the AM local oscillator frequency signal.																								
16	FM IN	I	Receives the FM local oscillator frequency signal.																								
17	VDD	-	Supply power to IC (+5V).																								
18	PD	O	PLL charge pump output.																								
19	AIN	I	The MOS transistor for PLL active low pass filter.																								
20	AOUT	O																									
21	VSS	-	Ground.																								

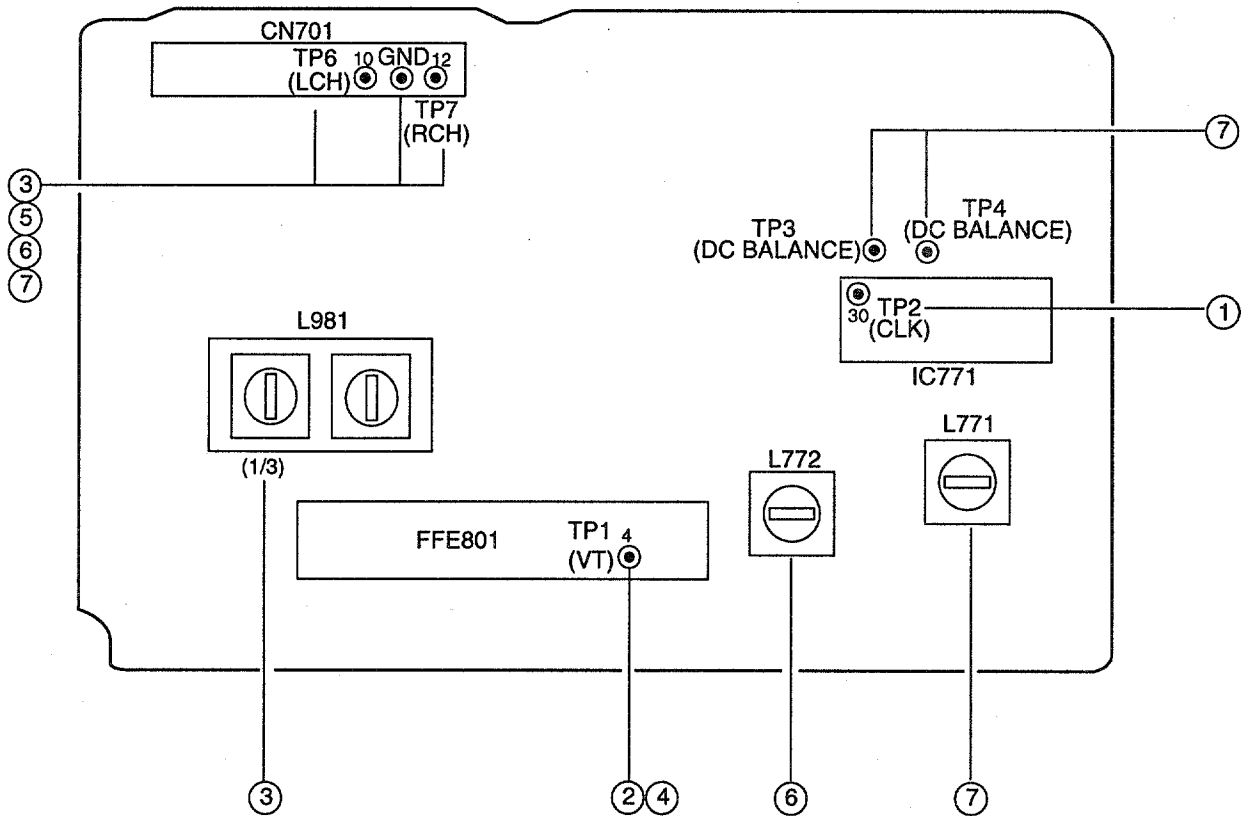
IC BLOCK DIAGRAM - 3

IC, M62445FP-600D



ADJUSTMENT <TUNER / DECK / FRONT>

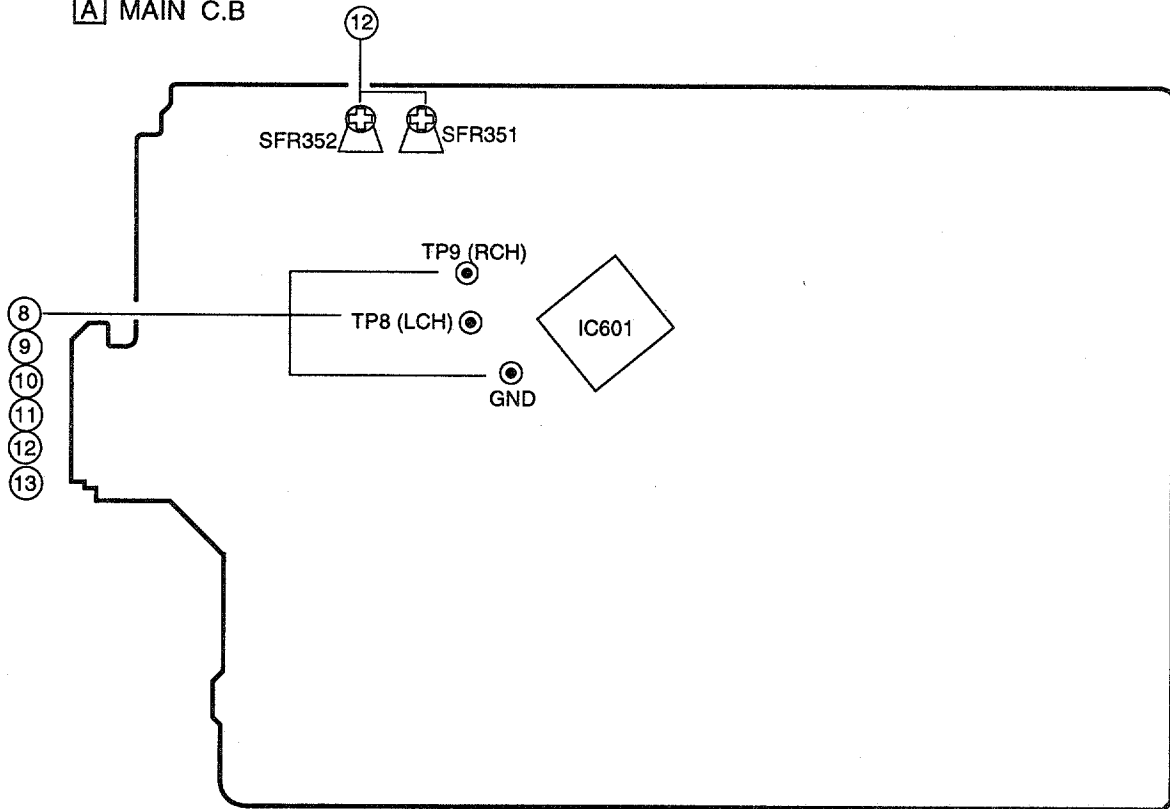
□ TUNER C.B



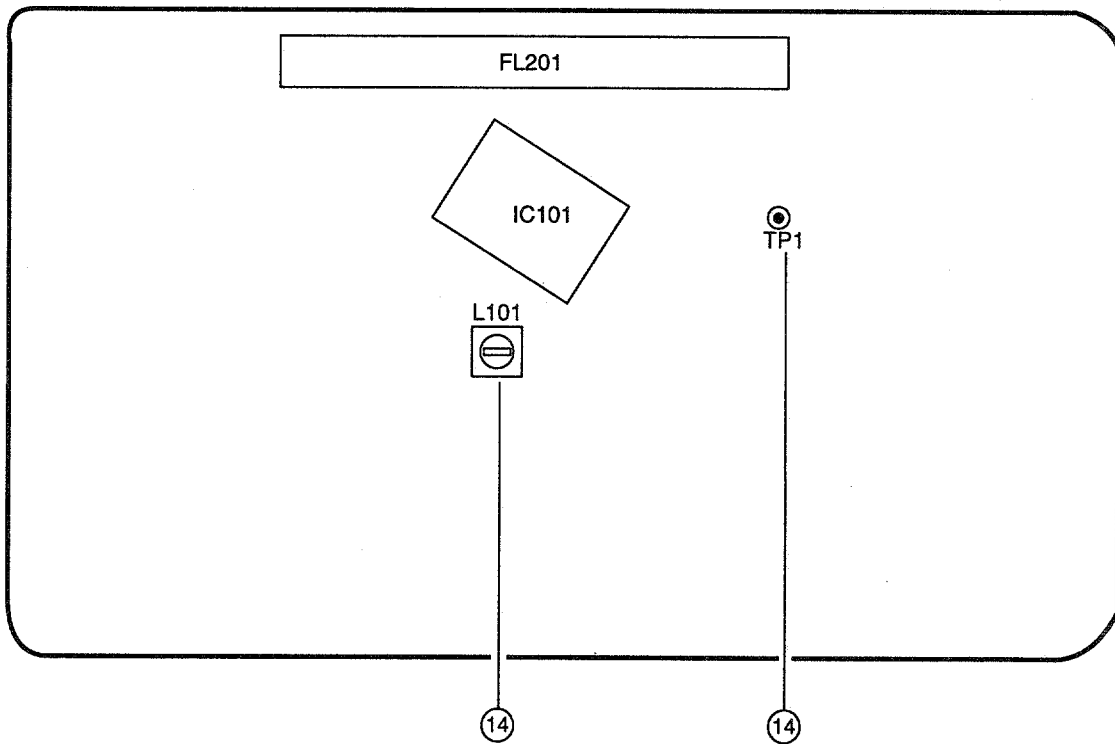
< TUNER SECTION >

1. Clock Frequency Check
 Settings : • Test point : TP2
 Method : Set to AM 1710kHz and check that the test point is 2160kHz \pm 45Hz.
2. AM VT Check
 Settings : • Test point : TP1
 Method : Set to AM 1710kHz and AM 530kHz and check that the test point is less than 8.5V(1710kHz) and more than 0.6V(530kHz).
3. AM Tracking Adjustment
 Settings : • Test point : TP6(Lch), TP7(Rch)
 • Adjustment location :
 L981(1/3) 1000kHz
 Method : Set to AM 1000kHz and adjust L981(1/3) so that the test point is max.
4. FM VT Check
 Settings : • Test point : TP1
 Method : Set to FM 108.0MHz and check that the test point is less than 8.0V.
 Set to FM 87.5MHz and check that the test point is more than 0.5V.
5. FM Tracking Check
 Settings : • Test point : TP6(Lch), TP7(Rch)
 Method : Set to FM 98.0MHz and check that the test point is less than 9.0dB μ V.
6. AM IF Adjustment
 Settings : • Test point : TP6(Lch), TP7(Rch)
 • Adjustment location :
 L772 450kHz
7. DC Balance / Mono Distortion Adjustment
 Settings : • Test point : TP3, TP4 (DC Balance)
 TP6(Lch), TP7(Rch) (Distortion)
 • Adjustment location : L771
 • Input level : 60dB μ V
 Method : Set to FM 98.0MHz and adjust L771 so that the voltage between TP3 and TP4 becomes 0V \pm 0.04V.
 Next, check that the distortion is less than 1.3%

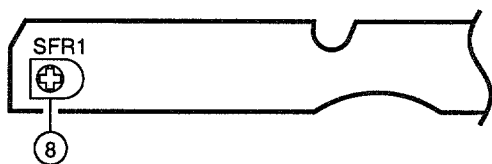
A MAIN C.B



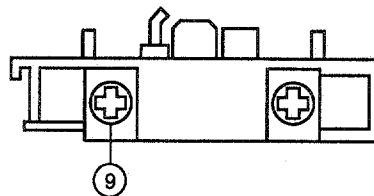
B FRONT C.B



F DECK C.B



DECK-1 P, DECK-2 R/P/E HEAD



< DECK SECTION >

8. Tape Speed Adjustment (DECK 1, DECK 2)
Settings : • Test tape : TTA-100
• Test point : TP8(Lch), TP9(Rch)
• Adjustment location : SFR1
Method : Play back the test tape and adjust SFR1 so that the frequency counter reads $3000\text{Hz} \pm 5\text{Hz}$ and $\pm 45\text{Hz}$ (REV) with respect to forward speed.
9. Head Azimuth Adjustment (DECK 1, DECK 2)
Settings : • Test tape : TTA-300
• Test point : TP8(Lch), TP9(Rch)
• Adjustment location : Head azimuth adjustment screw
Method : Play back (FWD) the 10kHz signal of the test tape and adjust screw so that the output becomes maximum. Next, perform on REV PLAY mode.
10. PB Frequency Response Check (DECK 1, DECK 2)
Settings : • Test tape : TTA-300
• Test point : TP8(Lch), TP9(Rch)
Method : Play back the 315Hz and 10kHz signals of the test tape and check that the output ratio of the 10kHz signal with respect to that of the 315Hz signal is within 3dB.
11. PB Sensitivity Check (DECK 1, DECK 2)
Settings : • Test tape : TTA-200
• Test point : TP8(Lch), TP9(Rch)
Method : Play back the test tape and check that the output level of the test point is $400\text{mV} \pm 3\text{dB}$.

12. REC/PB Frequency Response Adjustment
Settings : • Test tape : TTA-602
• Test point : TP8(Lch), TP9(Rch)
• Input signal : 1kHz / 10kHz (LINE IN)
• Adjustment location : SFR351 (Lch)
SFR352 (Rch)
Method : Apply a 1kHz signal and REC mode. Then adjust OSC attenuator so that the output level at the TP8, TP9 becomes 0dB(28mV). Record and play back the 1kHz and 10kHz signals and adjust SFRs so that the output of the 10kHz signals becomes 0dB $\pm 0.5\text{dB}$ with respect to that of the 1kHz signal.
13. REC/PB Sensitivity Check
Settings : • Test tape : TTA-602
• Test point : TP8(Lch), TP9(Rch)
• Input signal : 1kHz (LINE IN)
Method : Apply a 1kHz signal and REC mode. Then adjust OSC attenuator so that the output level at TP8, TP9 becomes 0dB (280mV). Record and play back the 1kHz signals and check that the output is $280\text{mV} \pm 3.0\text{dB}$.

< FRONT SECTION >

14. μ -CON OSC Adjustment
Settings : • Test point : TP1
• Adjustment location : L101
Method : Insert AC plug with pressing TUNER function key. Adjust L101 so that the frequency across the test point is $209.5\text{Hz} \pm 0.5\text{Hz}$.

PRACTICAL SERVICE FIGURE

<TUNER SECTION>

<FM SECTION>

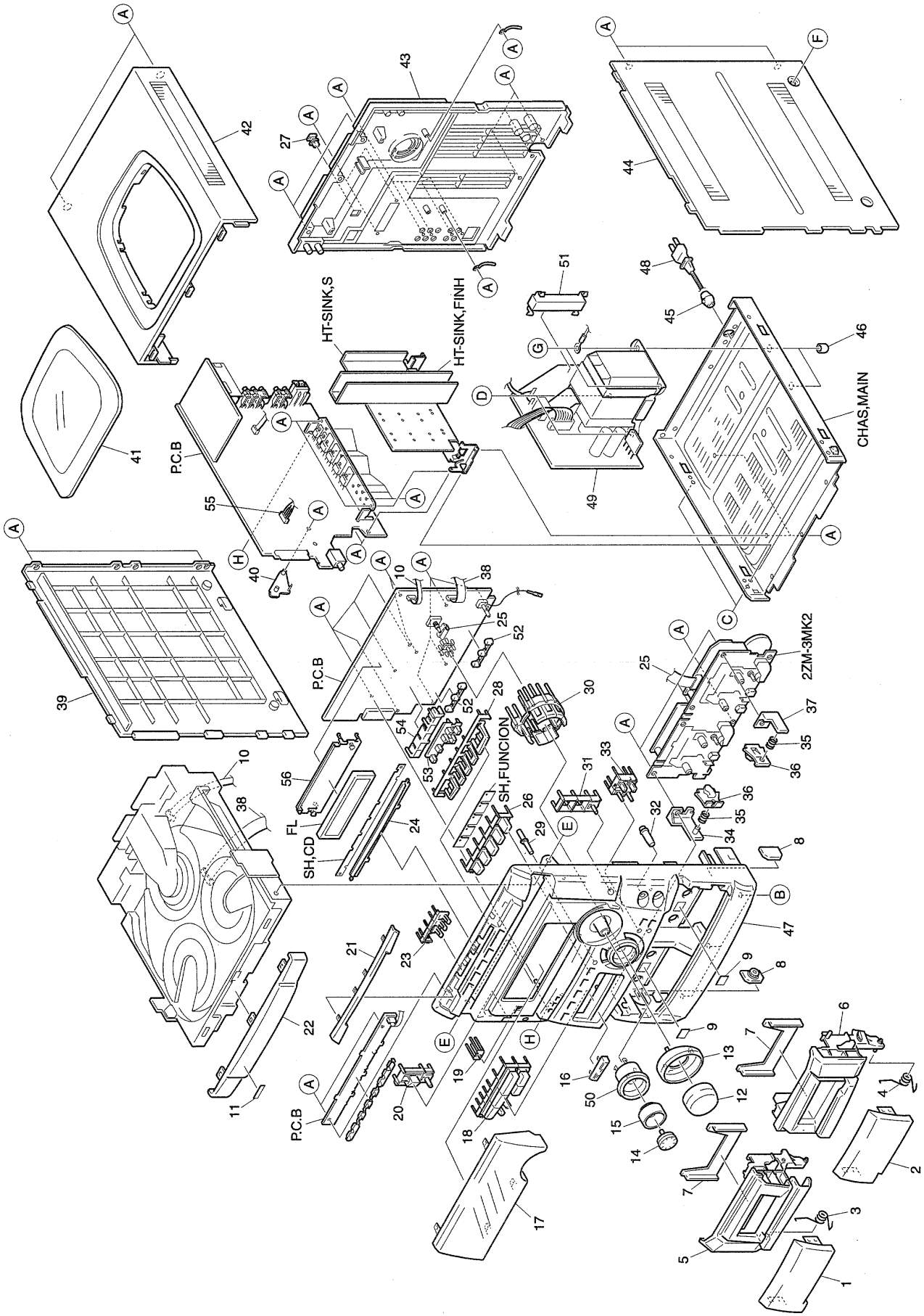
IHF Sensitivity : Less than 10 / 9 / 9dB μ V
(THD 3%) [at 87.5 / 98.0 / 108.0MHz]
S/N 50dB Quieting sensitivity :
Less than 35dB μ V
[at 98.0MHz]
Signal to noise ratio : Mono : More than 68dB
Stereo : More than 66dB
[at 98.0MHz]
Distortion : Mono : Less than 1.2%
Stereo : Less than 2.0%
[at 98.0MHz]
Auto stop level : 25dB μ V \pm 10dB
[at 98.0MHz]
Stereo separation : More than 22dB
[at 98.0MHz]
Intermediate frequency : 10.7MHz

<AM SECTION>

Sensitivity : Less than 62dB μ V
[at 600kHz]
Less than 58dB μ V
[at 1000 / 1400kHz]
Signal to noise ratio : More than 36dB
[at 1000kHz]
Distortion : Less than 1.5%
[at 1000kHz]
Auto stop level : 52dB μ V +10/-15dB
[at 1000kHz]
Intermediate frequency : 450kHz

<DECK SECTION>

Tape speed : 3000Hz \pm 45Hz
Wow & flutter : Less than 0.25%
(W.R.M.S)
Take-up torque : 30 ~ 55g-cm
(FWD, REV)
F.F & REW torque : 75 ~ 180g-cm
Back tension : 2 ~ 7g-cm
(FWD, REV)
PB output level : 200mV \pm 3dB
REC/PB output level : -1.0dB \pm 3.0dB
(0VU, NORM, CrO2)
Distortion (REC/PB) : Less than 2.0%
(0VU, NORM, CrO2)
Noise level (PB) : Less than 1.5mV
(NORM, FILTER DIN AUDIO)
Noise level (REC/PB) : Less than 1.0mV
(NORM, FILTER DIN AUDIO)
Erasing ratio : More than 60dB
(at 125Hz, +10VU, CrO2)
Test tape : TTA-602 (NORMAL)
TTA-615 (CrO2)



MECHANICAL PARTS LIST 1 / 1

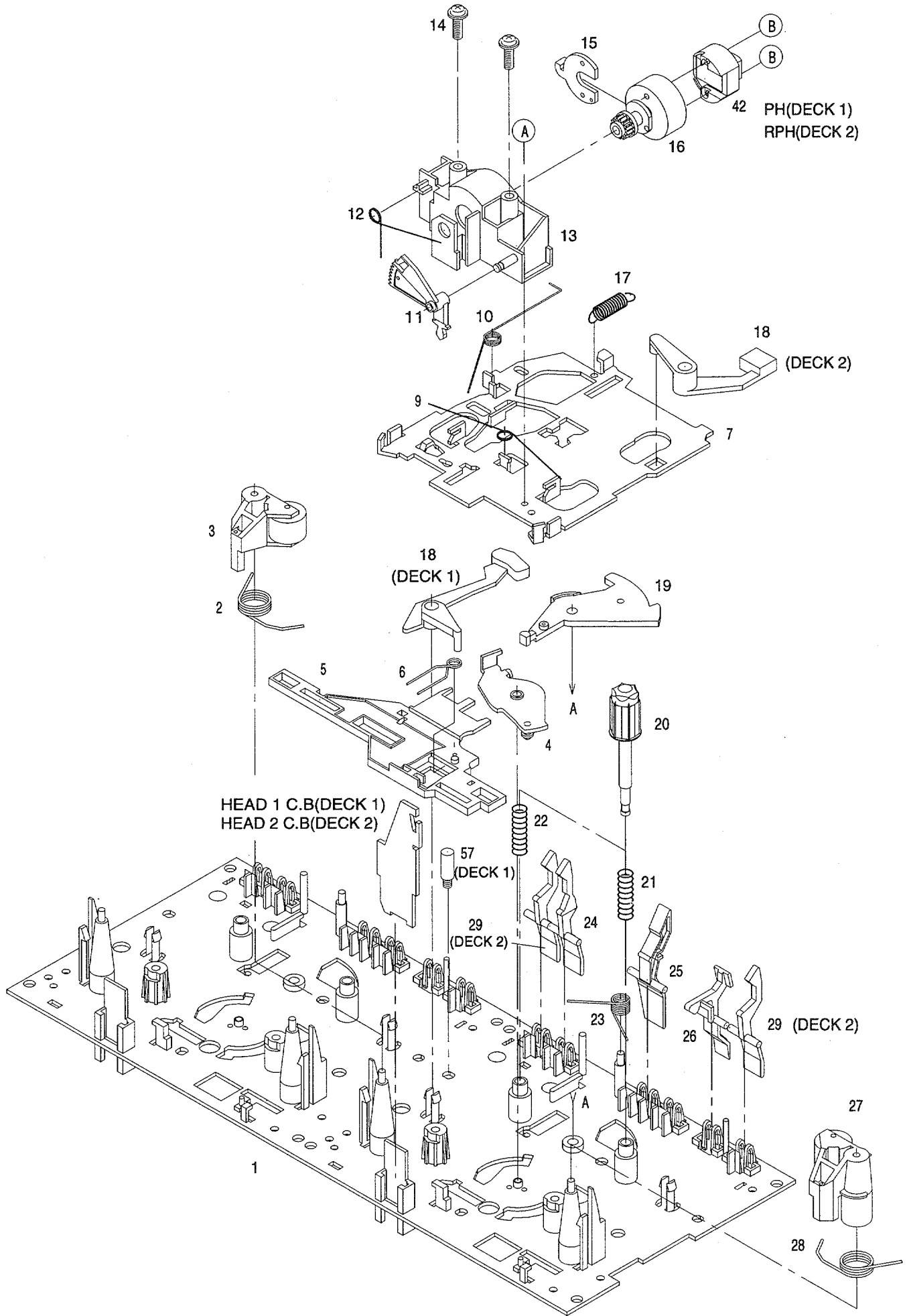
If can't understand for Description please kindly refer to "REFERENCE NAME LIST".

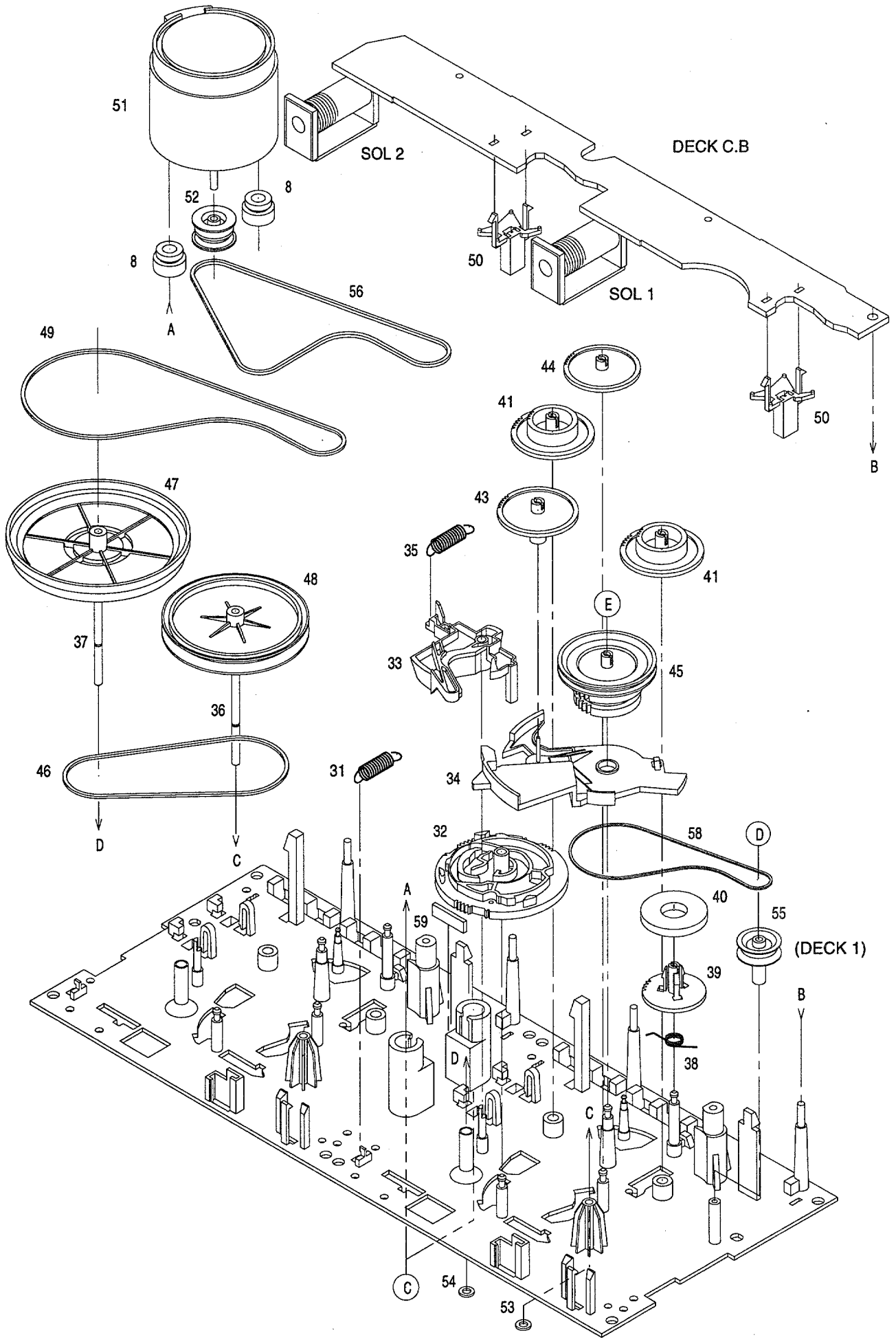
REF. NO.	PART NO.	KANRI NO.	DESCRIPTION	REF. NO.	PART NO.	KANRI NO.	DESCRIPTION
1	8Z-NF7-009-010		WINDOW, CASS 1	39	8Z-NB8-011-110		PANEL, LEFT V-2
2	8Z-NF7-010-010		WINDOW, CASS 2	40	8Z-NB8-215-010		HLDR, PWB M
3	82-NF5-218-010		SPR-T, EJECT 1 (SIN)	41	86-NF6-007-010		WINDOW, TOP<777LH>
4	82-NF5-219-010		SPR-T, EJECT 2 (SIN)	41	86-NF6-101-110		WINDOW, TOP UL<777U, 767U>
5	8Z-NF7-003-010		BOX, CASS 1	42	8Z-NB8-013-010		PANEL, TOP V-2
6	8Z-NF7-004-010		BOX, CASS 2	43	8Z-NF7-062-010		CABI, REAR LHSTM<777LH>
7	86-NF6-061-010		REFLECTOR, CASS	43	8Z-NF7-066-010		CABI, REAR U2STM<767U>
8	87-NF8-220-010		DMPR, 150	43	8Z-NF7-002-010		CABI, REAR USTNM<777U>
9	81-532-080-010		LABEL, CASS. COMPT	44	8Z-NF9-043-010		PANEL, RIGHT S V-2
10	85-NF5-617-010		CABLE, FFC 6P-1.25	45	87-085-185-010		BUSHING, AC CORD (E)<777LH>
11	82-NE6-067-010		BADGE, AIWA 30N	45	87-085-189-010		BUSHING, CORD (U)<777U, 767U>
12	8Z-NF7-011-010		KNOB, RTRY VOL	46	8Z-NB8-240-010		COVER, PL
13	8Z-NF7-014-010		RING, VOL	47	8Z-NF7-042-010		CABI, FR LH<777LH>
14	8Z-NF7-012-010		KNOB, RTRY JOG	47	8Z-NF7-001-010		CABI, FR U<777U>
15	8Z-NF7-016-010		REFLECTOR, JOG	47	8Z-NF7-045-010		CABI, FR U2<767U>
16	8Z-NF7-026-010		PANEL, PLAY	△ 48	87-A80-110-010		AC CORD ASSY, U SPT-2W<777U, 767U>
17	8Z-NF7-051-010		WINDOW, DISPLAY H<777LH>	△ 48	87-050-079-010		AC-CORD ASSY, E<777LH>
17	8Z-NF7-008-010		WINDOW, DISPLAY U<777U>	49	8Z-NF7-203-010		GUIDE, CD
17	8Z-NF7-054-010		WINDOW, DISPLAY U2<767U>	50	8Z-NF7-015-010		RING, JOG
18	8Z-NF7-023-010		KEY, ASSY PLAY	△ 51	87-A90-165-010		SW, SL 1-2-3 SWS2301<777LH>
19	8Z-NF7-036-010		REFLECTOR, ECO	52	87-NF6-205-010		GUIDE, LED
20	8Z-NF7-018-010		KEY, POWER	53	8Z-NF7-202-010		GUIDE, PLAY
21	8Z-NF7-006-010		PANEL, CD	54	8Z-NF7-201-010		GUIDE, FUNCTION
22	8Z-NF7-005-010		PANEL, TRAY	55	87-NF6-616-010		CONN ASSY, 8P RPB
23	8Z-NF7-021-010		KEY, KARAOKE U	56	87-NF5-203-010		GUIDE, FL
24	8Z-NF7-007-010		REFLECTOR, CD	A	87-067-703-010		TAPPING SCREW, BVT2+3-10
25	88-915-121-110		FF-CABLE, 15P 1.25	B	87-067-688-010		BVT+3-6
26	8Z-NF7-022-010		KEY, FUNCTION	C	87-721-096-410		QT2+3-10 GLD
27	84-ZG1-245-210		CAP, OPTICAL	D	87-078-191-010		S-SCREW, IT+4-10
28	8Z-NF7-019-010		KEY, CD	E	87-721-097-410		QT2+3-12 GLD
29	8Z-NF7-027-010		KEY, NSP	F	87-067-641-010		UTT2+3-8(W/O SLOT)BL
30	8Z-NF7-028-010		KEY, JOG U	H	87-723-096-410		QT2+3-10W/O SLOT BL
31	8Z-NF7-020-010		KEY, DEMO U				
32	8Z-NF7-013-010		KNOB, RTRY MIC				
33	8Z-NF7-029-010		KEY, PAD				
34	87-NF4-216-010		HLDR, LOCK 1				
35	86-NF9-224-010		SPR-C, LOCK				
36	82-NF5-229-010		PLATE, LOCK				
37	87-NF4-217-010		HLDR, LOCK 2				
38	85-NF5-618-010		CABLE, FFC 13P-1.25				

COLOR NAME TABLE

Basic color symbol	Color	Basic color symbol	Color	Basic color symbol	Color
B	Black	C	Cream	D	Orange
G	Green	H	Gray	L	Blue
LT	Transparent Blue	N	Gold	P	Pink
R	Red	S	Silver	ST	Titan Silver
T	Brown	V	Violet	W	White
WT	Transparent White	Y	Yellow	YT	Transparent Yellow
LM	Metallic Blue	LL	Light Blue	GT	Transparent Green
LD	Dark Blue	DT	Transparent Orange		

TAPE MECHANISM EXPLODED VIEW 1 / 1



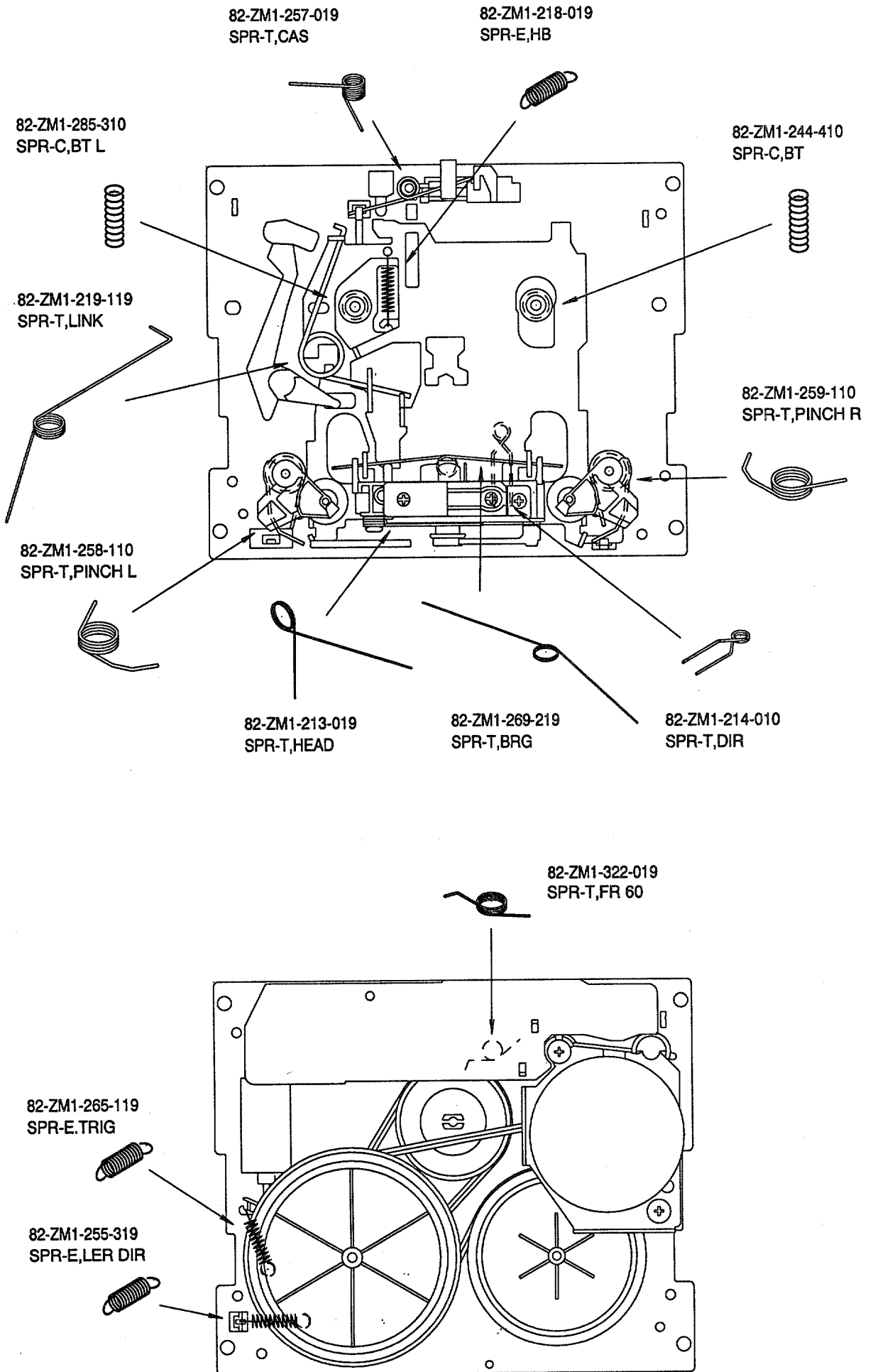


TAPE MECHANISM PARTS LIST 1 / 1

If can't understand for Description please kindly refer to "REFERENCE NAME LIST".

REF. NO.	PART NO.	KANRI NO.	DESCRIPTION	REF. NO.	PART NO.	KANRI NO.	DESCRIPTION
1	82-ZM3-301-519		CHAS ASSY, M2	36	82-ZM1-236-019		CAPSTAN N 2-41.5
2	82-ZM1-258-110		SPR-T, PINCH L	37	82-ZM1-239-019		CAPSTAN N 2.2-41.7
3	82-ZM1-341-110		LVR ASSY, PINCH L2	38	82-ZM1-322-019		SPR-T, FR60
4	82-ZM1-333-010		PLATE, LINK 2	39	82-ZM1-220-219		GEAR, IDLER
5	82-ZM1-266-11K		LVR, DIR	40	82-ZM3-616-019		RING MAGNET 4
6	82-ZM1-214-010		SPR-T, DIR	41	82-ZM1-216-31K		GEAR, REEL
7	82-ZM1-206-81K		CHAS, HEAD	42	87-A90-319-010		HEAD, PH HADKH2 FPC
8	82-ZM3-307-019		CUSH-G, DIA3.7-8-3.2	42	87-A90-320-010		HEAD, RPH HADKH5 FPC
9	82-ZM1-269-219		SPR-T, BRG	43	82-ZM1-225-21K		GEAR, FR
10	82-ZM1-219-119		SPR-T, LINK	44	82-ZM1-226-019		GEAR, REW
11	82-ZM1-210-119		GEAR, H T	45	82-ZM3-333-310		SLIP DISK ASSY 2
12	82-ZM1-213-019		SPR-T, HEAD	46	82-ZM1-338-010		BELT FR4
13	82-ZM1-207-619		GUIDE, TAPE	47	82-ZM1-349-110		FLY-WHL, R W(DECK 2)
14	86-ZM4-206-010		S-SCREW, AZIMUTH	47	82-ZM3-338-110		FLY-WHL, R3 W(DECK 1)
15	82-ZM1-314-119		PLATE, HEAD	48	82-ZM1-348-010		FLY-WHL, L W(DECK 2)
16	82-ZM1-208-119		HLDR, HEAD	48	82-ZM1-348-010		FLY-WHL, L W(DECK 1)
17	82-ZM1-218-019		SPR-E, HB	49	82-ZM3-329-210		BELT, SBU R2
18	82-ZM1-263-110		LVR, EJECT L (DECK 1)	50	82-ZM1-245-210		HLDR, IC
18	82-ZM1-264-010		LVR, EJECT R (DECK 2)	51	87-045-347-019		MOT, SHU2L 70(M1)
19	82-ZM1-222-21K		LVR, PLAY	52	82-ZM3-221-010		PULLEY, MOT 2M
20	82-ZM1-217-319		REEL TABLE	53	82-ZM1-288-019		SH, 1.63-3.2-0.5 SLT
21	82-ZM1-244-510		SPR-C, BT	54	80-ZM6-243-019		SH, 1.75-3.6-0.5 SLT
22	82-ZM1-285-310		SPR-C, BT L	55	82-ZM3-335-210		PULLEY, COUPLER M3 (DECK 1)
23	82-ZM1-257-019		SPR-T, CAS	56	82-ZM3-337-010		BELT, SBU MOT 2
24	82-ZM1-241-319		LVR, MC	57	82-ZM3-339-010		SHAFT, COUPLER N3 (DECK 1)
25	82-ZM1-242-019		LVR, CAS	58	86-ZM1-206-010		BELT, MAIN L
26	82-ZM1-243-019		LVR, STOP	59	82-ZM3-340-010		SH, BELT D2
27	82-ZM1-344-110		LVR ASSY, PINCH R2	A	85-ZM3-202-010		S-SCREW, TG
28	82-ZM1-259-110		SPR-T, PINCH R	B	80-ZM6-207-019		V+1.6-7
29	82-ZM1-240-11K		LVR, REC (DECK 2)	C	82-ZM3-318-019		S-SCRW MOTOR M2
31	82-ZM1-255-319		SPR-E, LVR DIR	D	87-B10-043-010		W-P, 0.99-4-0.25 SLT
32	82-ZM3-305-01K		GEAR, CAM M2	E	82-ZM3-334-010		PW, 2.16-6-0.4
33	82-ZM1-227-21K		LVR, TRIG				
34	82-ZM3-306-11K		LVR, FR M2				
35	82-ZM1-265-119		SPR-E, TRIG				

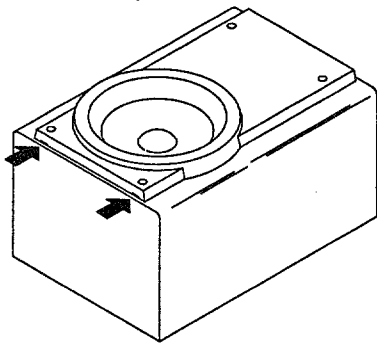
SPRING APPLICATION POSITION



SPEAKER DISASSEMBLY INSTRUCTIONS

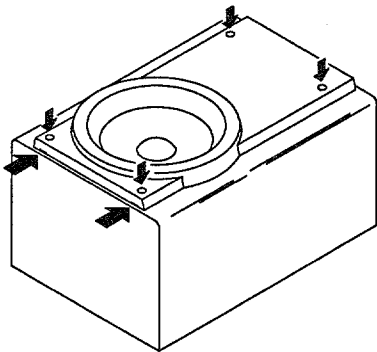
Type.1

Insert a flat-bladed screwdriver into the position indicated by the arrows and remove the panel. Remove the screws of each speaker unit and then remove the speaker units.



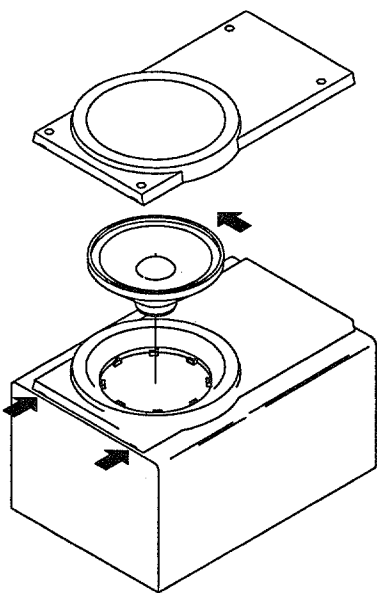
Type.2

Remove the grill frame and four pieces of rubber caps by pulling out with a flat-bladed screwdriver. Remove the screws from hole where installed rubber caps. Insert a flat-bladed screwdriver into the position indicated by the arrows and remove the panel. Remove the screws of each speaker unit and then remove the speaker units.

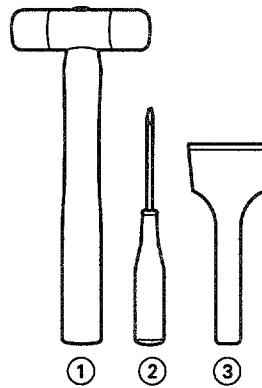


Type.3

Insert a flat-bladed screwdriver into the position indicated by the arrows and remove the panel. Turn the speaker unit to counter-clockwise direction while inserting a flat-bladed screwdriver into one of the hollows around speaker unit, and then remove the speaker unit. After replacing the speaker unit, install it turning to clockwise direction until "click" sound comes out.



Type.4



TOOLS

- ① Plastic head hammer
- ② (⊖) flat head screwdriver
- ③ Cut chisel

How to Remove the PANEL, FR

1. Insert the (⊖) flat head screwdriver tip into the gap between the PANEL, FR and the PANEL, SPKR. Tap the head of the (⊖) flat head screwdriver with the plastic hammer head, and create the clearance as shown in Fig-1.
2. Insert the cut chisel in the clearance, and tap the head of the cut chisel with plastic hammer as shown in Fig-2, to remove the PANEL, FR.
3. Place the speaker horizontally. Tap head of the cut chisel with plastic hammer as shown in Fig-3, and remove the PANEL, FR completely.

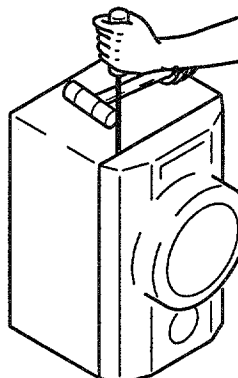


Fig-1

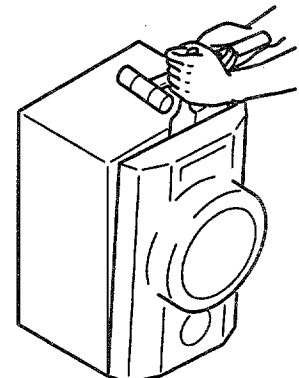


Fig-2

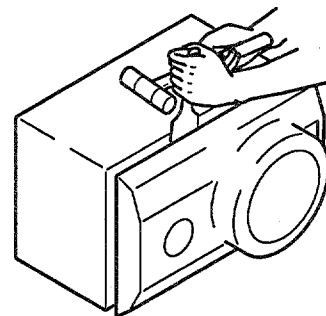


Fig-3

How to Attach the PANEL, FR

Attach the PANEL, FR to the PANEL, SPKR. Tap the four corners of the PANEL, FR with the plastic hammer to fit the PANEL, FR into the PANEL, SPKR completely.

SX-WNA777 (YUSTL), SX-WNS777 (YLSTCC, YLSTL) SPEAKER PARTS LIST

If can't understand for Description please kindly refer to "REFERENCE NAME LIST".

REF. NO.	PART NO.	KANRI NO.	DESCRIPTION	REF. NO.	PART NO.	KANRI NO.	DESCRIPTION
1	8Z-NS7-604-010		SPKR, W 160<YLSTL>	7	88-NS5-610-010		CORD, SPKR
1	8Z-NS7-606-010		SPKR, W 160<YLSTCC>	8	88-NS5-611-010		CORD, SPKR B/L
1	8Z-NS7-602-010		SPKR, W 160 WNS777<YUSTL>	9	8Z-NSY-608-010		SPKR, CERAMIC ASSY (SWNH33)
2	8Z-NSY-604-010		SPKR, M 100<YLSTL, YUSTL>	10	88-NS3-029-010		CORD, BUSH L
2	8Z-NS7-608-010		SPKR, M 100<YLSTCC>	11	8Z-NS7-007-010		GRILLE, FRAME ASSY<YUSTL>
3	8Z-NSY-001-010		PANEL, FR<YLSTL, YLSTCC>				
3	8Z-NS7-006-010		PANEL, FR N<YUSTL>				
4	8Z-NSY-002-010		PANEL, BA				
5	8Z-NSY-003-010		CORD, BUSH				
6	8Z-NSY-004-010		PROTECTOR, TW				

SX-NA772 (YUSTL) SPEAKER PARTS LIST

If can't understand for Description please kindly refer to "REFERENCE NAME LIST".

REF. NO.	PART NO.	KANRI NO.	DESCRIPTION
1	8Z-NSH-001-010		PANEL, FR
2	8Z-NSH-003-010		PANEL, RING(W)
3	8Z-NSH-004-010		GRILLE, FRAME ASSY
4	8Z-NSH-007-010		PROTECTOR,
5	87-NSH-612-010		CERAMIC ASSY
6	87-NS7-611-010		CORD, SPKR
7	83-NSL-602-010		SPEAKER WOOFER
8	83-NS8-606-010		SPEAKER MID

SX-R275 (YUSTNL) SPEAKER PARTS LIST

If can't understand for Description please kindly refer to "REFERENCE NAME LIST".

REF. NO.	PART NO.	KANRI NO.	DESCRIPTION
1	87-YS1-001-010		CABI, REAR
2	87-YS1-004-010		GRILLE FRAME ASSY
3	81-VSA-009-010		CORD BUSH
4	87-YS6-002-010		SPKR, CORD Y
5	87-YS6-601-010		SPKR, 100
6	87-010-384-010		CAP, E 100-25 SME(R275)
7	87-YS6-913-010		IB, YU(ESF)T

ACCESSORIES / PACKAGE LIST

If can't understand for Description please kindly refer to "REFERENCE NAME LIST".

REF. NO.	PART NO.	KANRI NO.	DESCRIPTION
1	8Z-NF7-902-010		IB, LH(ESF)M<LH>
1	8Z-NF7-913-010		IB, U(ESF)M A767<767U>
1	8Z-NF7-903-010		IB, U(ESF)M A777<777U>
2	8Z-NF8-701-110		RC UNIT, RC-ZAS01
3	87-006-225-010		AM LOOP ANT NC2
4	87-043-115-010		ANT, FEEDER FM
△ 5	87-A91-017-010		PLUG, CONVERSION JT-0476<LH>

REFERENCE NAME LIST

ELECTRICAL SECTION

DESCRIPTION	REFERENCE NAME
ANT	ANTENNAS
C-	CHIP
C-CAP	CAP, CHIP
C-CAP TN	CAP, CHIP TANTALUM
C-COIL	COIL, CHIP
C-DI	DIODE, CHIP
C-DIODE	DIODE, CHIP
C-FET	FET, CHIP
C-FOTR	FILTER, CHIP
C-JACK	JACK, CHIP
C-LED	LED, CHIP
C-RES	RES, CHIP
C-SFR	SFR, CHIP
C-SLIDE SW	SLIDE SWITCH, CHIP
C-SW	SWITCH, CHIP
C-TR	TRANSISTOR, CHIP
C-VR	VOLUME, CHIP
C-ZENER	ZENER, CHIP
CAP, CER	CAP, CERA-SOL
CAP, E	CAP, ELECT
CAP, M/F	CAP, FILM
CAP, TC	CAP, CERA-SOL
CAP, TC-U	CAP, CERA-SOL SS
CAP, TN	CAP, TANTALUM
CERA FIL	FILTER, CERAMIC
CF	FILTER, CERAMIC
DL	DELAY LINE
E/CAP	CAP, ELECT
FILT	FILTER
FLTR	FILTER
FUSE RES	RES, FUSE
MOT	MOTOR
P-DIODE	PHOTO DIODE
P-SNSR	PHOTO SENSER
P-TR	PHOTO TRANSISTOR
POLY VARI	VARIABLE CAPACITOR
PPCAP	CAP, PP
PT	POWER TRANSFORMER
PTR, RES	PTR, MELF
RC	REMOTE CONTROLLER
RES NF	RES, NON-FLAMMABLE
RESO	RESONATOR
SHLD	SHIELD
SOL	SOLENOID
SPKR	SPEAKER
SW, LVR	SWITCH, LEVER
SW, RTRY	SWITCH, ROTARY
SW, SL	SWITCH, SLIDE
TC CAP	CAP, CERA-SOL
THMS	THERMISTOR
TR	TRANSISTOR
TRIMER	CAP, TRIMMER
TUN-CAP	VARIABLE CAPACITOR
VIB, CER	RESONATOR, CERAMIC
VIB, XTAL	RESONATOR, CRYSTAL
VR	VOLUME
ZENER	DIODE, ZENER

MECHANICAL SECTION

DESCRIPTION	REFERENCE NAME
ADHESHIVE	SHEET ADHESHIVE
AZ	AZIMUTH
BAR-ANT	BAR-ANTENNA
BAT	BATTERY
BATT	BATTERY
BRG	BEARING
BTN	BUTTON
CAB	CABINET
CASS	CASSETTE
CHAS	CHASSIS
CLR	COLLAR
CONT	CONTROL
CRSR	CURSOR
CU	CUSHION
CUSH	CUSHION
DIR	DIRECTION
DUBB	DUBBING
FL	FRONT LOADING
FLY-WHL	FLYWHEEL
FR	FRONT
FUN	FUNCTION
G-CU	G-CUSHION
HDL	HANDOL
HIMERON	CLOTH
HINGE, BAT	HINGE, BATTERY
HLDR	HOLDER
HT-SINK	HEAT SINK
IB	INSTRUCTION BOOKLET
IDLE	IDLER
IND, L-R	INDICATOR, L-R
KEY, CONT	KEY, CONTROL
KEY, PRGM	KEY, PROGRAM
KNOB, SL	KNOB, SLIDE
LBL	LABEL
LID, BATT	LID, BATTERY
LID, CASS	LID, CASSETTE
LVR	LEVER
P-SP	P-SPRING
PANEL, CONT	PANEL, CONTROL
PANEL, FR	PANEL, FRONT
PRGM	PROGRAM
PULLY, LOAD MO	PULLY, LOAD MOTOR
RBN	RIBBON
S-	SPECIAL
SEG	SEGMENT
SH	SHEET
SHLD-SH	SHIELD-SHEET
SL	SLIDE
SP	SPRING
SP-SCREW	SPECIAL-SCREW
SPACER, BAT	SPACER, BATTERY
SPR	SPRING
SPR-P	P-SPRING
SPR-PC-PUSH	P-SPRING, C-PUSH
T-SP	T-SPRING
TERM	TERMINAL
TRIG	TRIGGER
TUN	TUNING
VOL	VOLUME
W	WASHER
WHL	WHEEL
WORM-WHL	WORM-WHEEL

サービス技術ニュース	
番号	連絡内容
G-	-
G-	-
G-	-

アイワ株式会社
AIWA CO.,LTD.

9420208, 931261

Tokyo Japan