

# aiwa



## NSX-S777

## NSX-S778

---

COMPACT DISC STEREO  
CASSETTE RECEIVER

---

• TYPE: S777(EZ, G), S778(HS)

**SIMPLE MANUAL**

• Replace this Service Manual with "Revision Publishing" when it is issued.

S/M Code No. 09-996-403-5T5

MANUAL  
SERVICE

# ELECTRICAL MAIN PARTS LIST - 1/10

NOTE: The characters in the suffix column indicate the part usage.

REF.NO	PARTS NO.	KANRI NO.	DESCRIPTION	SUFFIX
778HS		XX		A
777G		XX		B
777EZ		XX		C
C	505	87-010-178-080	CHIP CAP 1000P	.B
C	502	87-010-196-080	CHIP CAPACITOR,0.1-25	.B
C	501	87-010-544-040	CAP,E 0.1-50 SME	.B
C	503	87-010-544-040	CAP,E 0.1-50 SME	.B
C	504	87-012-156-080	C-CAP,S 220P-50 CH	.B
C	521	87-010-178-080	CHIP CAP 1000P	.B
C	606	87-010-112-040	CAP,E 100-16	ABC
C	608	87-010-178-080	CHIP CAP 1000P	A.C
C	601	87-010-186-080	CAP,CHIP 4700P	ABC
C	607	87-010-196-080	CHIP CAPACITOR,0.1-25	ABC
C	605	87-010-196-080	CHIP CAPACITOR,0.1-25	ABC
C	603	87-010-320-080	CHIP CAP 68P	ABC
C	602	87-010-405-040	CAP,E 10-50	A.C
C	604	87-010-546-040	CAP,E 0.33-50	ABC
C	621	87-010-178-080	CHIP CAP 1000P	ABC
C	652	87-010-183-080	C-CAP,S 2700P-50 B	ABC
C	653	87-010-213-080	C-CAP,S 0.015-50 B	ABC
FB	601	87-A50-190-080	C-COIL,S BLM21A102S	ABC
J	601	87-A60-651-010	JACK,3.5MONO	ABC
J	602	87-A60-651-010	JACK,3.5MONO	A.C
Q	502	87-A30-075-080	C-TR,2SA1235F	.B
Q	501	87-A30-076-080	C-TR,2SC3052F	.B
Q	604	87-A30-075-080	C-TR,2SA1235F	ABC
Q	603	87-A30-076-080	C-TR,2SC3052F	ABC
Q	602	87-A30-076-080	C-TR,2SC3052F	A.C
Q	601	87-A30-087-080	C-FET,2SK2158	A.C
VR	501	86-NFA-607-010	VR,RTRY 10K15AX1 1 V XV0121PVN	.B
		87-010-403-040	CAP,E 3.3-50 SME	.B
		87-A90-195-080	PROTECTOR 7A 125V 49	.B
C	1	87-010-387-080	CAP,E 470-25 SME	ABC
C	8	87-016-520-000	CAP,E 3300-65 M SMG	ABC
C	9	87-016-520-000	CAP,E 3300-65 M SMG	ABC
C	2	87-018-209-080	CAP, CER 0.1-50V	ABC
C	4	87-018-209-080	CAP, CER 0.1-50V	ABC
C	6	87-018-209-080	CAP, CER 0.1-50V	ABC
C	3	87-018-209-080	CAP, CER 0.1-50V	ABC
C	5	87-018-209-080	CAP, CER 0.1-50V	ABC
C	31	87-010-403-040	CAP,E 3.3-50 SME	A.C
CN	1	87-A60-851-010	CONN,9P V VH	ABC
D	2	87-020-465-080	DIODE,1SS133 (110MA)	ABC
D	5	87-020-465-080	DIODE,1SS133 (110MA)	ABC
D	1	87-020-465-080	DIODE,1SS133 (110MA)	ABC
D	4	87-020-465-080	DIODE,1SS133 (110MA)	ABC
D	3	87-020-465-080	DIODE,1SS133 (110MA)	ABC
D	6	87-A40-547-090	DIODE,D5SBA20	
D	6	87-A40-548-090	DIODE,D3SBA20	ABC
D	31	87-020-465-080	DIODE,1SS133 (110MA)	ABC
D	32	87-020-465-080	DIODE,1SS133 (110MA)	ABC
JW	20	87-026-682-080	PROTECTOR,10A 60V491	
JW	21	87-026-682-080	PROTECTOR,10A 60V491	
JW	20	87-A90-195-080	PROTECTOR 7A 125V 49	A.C
JW	21	87-A90-195-080	PROTECTOR 7A 125V 49	A.C
PR	2	87-026-682-080	PROTECTOR,10A 60V491	ABC
PR	1	87-026-682-080	PROTECTOR,10A 60V491	ABC
PR	2	87-026-691-080	FUSE,10A 125V 251	
PR	1	87-026-691-080	FUSE,10A 125V 251	
PR	3	87-A91-276-080	FUSE,125MA 125V F 251	
PT	2	8Z-NF8-661-010	PT,SUB ZNF-8(U)	
PT	2	8Z-NF8-662-010	PT,SUB ZNF-8(E)	ABC
PT	2	8Z-NF8-663-010	PT,SUB ZNF-8(H)	
Q	31	87-026-245-080	TR,DTC114ES	ABC
Q	32	87-A30-198-080	TR,KTC3199GR	ABC
RY	2	87-A90-976-010	RELAY,AC12V SDT-S-112LMR	ABC
RY	1	87-A91-281-010	RELAY,AC DC12V OSA-SS-212DM5	
S	1	87-A90-165-010	SW,SL 1-2-3 SWS2301	
T	1	87-A60-317-010	TERMINAL, 1P MSC	ABC
T	2	87-A60-317-010	TERMINAL, 1P MSC	ABC
C	901	87-016-462-080	C-CAP,S 1-16 F	.B
D	901	87-A40-270-080	C-DIODE,MC2838	.B
Q	901	87-A30-087-080	C-FET,2SK2158	.B
Q	902	87-A30-087-080	C-FET,2SK2158	.B
		87-NF5-203-010	GUIDE,FL	ABC
		87-NF6-205-010	GUIDE,LED	ABC
		8Z-NF7-201-010	GUIDE,FUNCTION	ABC
		8Z-NF7-202-010	GUIDE,PLAY	ABC
		8Z-NF7-203-010	GUIDE,CD	ABC
C	103	87-010-178-080	CHIP CAP 1000P	ABC
C	106	87-010-312-080	C-CAP,S 15P-50 CH	ABC
C	105	87-010-322-080	C-CAP,S 100P-50 CH	ABC
C	108	87-010-405-040	CAP,E 10-50	ABC
C	107	87-012-157-080	C-CAP,S 330P-50 CH	ABC
C	114	87-010-196-080	CHIP CAPACITOR,0.1-25	ABC
C	115	87-010-198-080	CAP, CHIP 0.022	ABC
C	116	87-010-493-040	CAP,E 0.47-50 GAS	ABC

# ELECTRICAL MAIN PARTS LIST - 2/10

C	117	87-010-498-040	CAP,E 10-16 GAS	ABC.....
C	112	87-016-081-080	C-CAP,S 0.1-16 RK	ABC.....
C	113	87-A11-242-040	CAP,E 220-10 M 5L SRM	ABC.....
C	111	87-A11-242-040	CAP,E 220-10 M 5L SRM	ABC.....
C	122	87-010-178-080	CHIP CAP 1000P	ABC.....
C	125	87-010-196-080	CHIP CAPACITOR,0.1-25	ABC.....
C	123	87-010-196-080	CHIP CAPACITOR,0.1-25	ABC.....
C	124	87-010-196-080	CHIP CAPACITOR,0.1-25	ABC.....
C	126	87-012-145-080	CAP,CHIP S 270P CH	ABC.....
C	121	87-012-368-080	C-CAP,S 0.1-50 F	ABC.....
C	151	87-010-194-080	CAP,CHIP 0.047	ABC.....
C	153	87-010-196-080	CHIP CAPACITOR,0.1-25	ABC.....
C	154	87-010-264-040	CAP,E 100-10 5L	ABC.....
C	183	87-010-182-080	C-CAP,S 2200P-50 B	ABC.....
C	182	87-010-197-080	CAP,CHIP 0.01 DM	ABC.....
C	181	87-012-157-080	C-CAP,S 330P-50 CH	ABC.....
C	202	87-012-140-080	CAP 470P	ABC.....
C	221	87-010-404-040	CAP,E 4.7-50 SME	ABC.....
C	222	87-010-404-040	CAP,E 4.7-50 SME	ABC.....
C	223	87-010-408-040	CAP,E 47-50 SME	ABC.....
C	224	87-012-369-080	C-CAP,S 0.047-50F	ABC.....
C	386	87-010-196-080	CHIP CAPACITOR,0.1-25	ABC.....
C	381	87-010-196-080	CHIP CAPACITOR,0.1-25	ABC.....
C	387	87-010-196-080	CHIP CAPACITOR,0.1-25	ABC.....
C	383	87-010-196-080	CHIP CAPACITOR,0.1-25	ABC.....
C	385	87-010-196-080	CHIP CAPACITOR,0.1-25	ABC.....
C	384	87-010-196-080	CHIP CAPACITOR,0.1-25	ABC.....
C	382	87-012-158-080	C-CAP,S 390P-50 CH	ABC.....
C	401	87-010-196-080	CHIP CAPACITOR,0.1-25	ABC.....
C	402	87-010-196-080	CHIP CAPACITOR,0.1-25	ABC.....
C	404	87-010-322-080	C-CAP,S 100P-50 CH	ABC.....
C	408	87-010-322-080	C-CAP,S 100P-50 CH	ABC.....
C	407	87-010-322-080	C-CAP,S 100P-50 CH	ABC.....
C	406	87-010-322-080	C-CAP,S 100P-50 CH	ABC.....
C	405	87-010-322-080	C-CAP,S 100P-50 CH	ABC.....
C	403	87-010-322-080	C-CAP,S 100P-50 CH	ABC.....
C	411	87-010-401-040	CAP,E 1-50 SME	ABC.....
CN	101	87-099-720-010	CONN,30P TYK-B(P)	ABC.....
CN	104	87-A60-140-010	CONN,15P V FE	ABC.....
CN	301	87-A60-131-010	CONN,6P V FE	ABC.....
CN	302	87-A60-131-010	CONN,6P V FE	ABC.....
CN	901	87-A60-138-010	CONN,13P V FE	ABC.....
D	103	87-020-465-080	DIODE,1SS133 (110MA)	ABC.....
D	108	87-020-465-080	DIODE,1SS133 (110MA)	ABC.....
D	104	87-020-465-080	DIODE,1SS133 (110MA)	ABC.....
D	101	87-020-465-080	DIODE,1SS133 (110MA)	A.....
D	107	87-A40-270-080	C-DIODE,MC2838	ABC.....
D	109	87-A40-509-080	ZENER,MTZJ6.8C	ABC.....
D	111	87-020-465-080	DIODE,1SS133 (110MA)	ABC.....
D	305	87-020-465-080	DIODE,1SS133 (110MA)	ABC.....
D	306	87-020-465-080	DIODE,1SS133 (110MA)	ABC.....
D	307	87-020-465-080	DIODE,1SS133 (110MA)	ABC.....
D	303	87-020-465-080	DIODE,1SS133 (110MA)	ABC.....
D	308	87-020-465-080	DIODE,1SS133 (110MA)	ABC.....
D	301	87-020-465-080	DIODE,1SS133 (110MA)	ABC.....
D	304	87-020-465-080	DIODE,1SS133 (110MA)	ABC.....
D	302	87-020-465-080	DIODE,1SS133 (110MA)	ABC.....
D	309	87-020-465-080	DIODE,1SS133 (110MA)	ABC.....
D	310	87-020-465-080	DIODE,1SS133 (110MA)	ABC.....
D	315	87-020-465-080	DIODE,1SS133 (110MA)	ABC.....
D	311	87-020-465-080	DIODE,1SS133 (110MA)	ABC.....
D	316	87-020-465-080	DIODE,1SS133 (110MA)	ABC.....
D	313	87-020-465-080	DIODE,1SS133 (110MA)	ABC.....
D	312	87-020-465-080	DIODE,1SS133 (110MA)	ABC.....
D	314	87-020-465-080	DIODE,1SS133 (110MA)	ABC.....
D	318	87-020-465-080	DIODE,1SS133 (110MA)	.....
D	323	87-020-465-080	DIODE,1SS133 (110MA)	.B.
D	328	87-020-465-080	DIODE,1SS133 (110MA)	ABC.....
D	320	87-020-465-080	DIODE,1SS133 (110MA)	ABC.....
D	327	87-020-465-080	DIODE,1SS133 (110MA)	.....
D	325	87-020-465-080	DIODE,1SS133 (110MA)	A.....
D	385	87-017-932-080	ZENER,MTJ6.2B	ABC.....
D	384	87-020-465-080	DIODE,1SS133 (110MA)	ABC.....
D	382	87-020-465-080	DIODE,1SS133 (110MA)	ABC.....
D	381	87-020-465-080	DIODE,1SS133 (110MA)	ABC.....
D	383	87-020-465-080	DIODE,1SS133 (110MA)	ABC.....
D	701	87-A40-269-080	C-DIODE,MC2836	ABC.....
D	901	87-020-465-080	DIODE,1SS133 (110MA)	A.C.
FL	201	8Z-NF7-610-010	FL,BJ679GK	ABC.....
IC	102	87-A20-951-010	IC,TSOP1838RF1	ABC.....
IC	101	8Z-NF7-615-010	C-IC,LC875572V-5L45	ABC.....
IC	380	87-A21-023-040	C-IC,BA3835F	ABC.....
IC	401	87-A21-021-040	C-IC,BU2099FV	ABC.....
IC	402	87-A21-021-040	C-IC,BU2099FV	ABC.....
L	101	87-A50-333-010	COIL,OSC 9.43MHZ	ABC.....
LED	293	87-A40-589-040	LED,SLR-56VCT31 RED	ABC.....
LED	401	87-A40-317-080	LED,SLR-342VCT31 RED	ABC.....
LED	404	87-A40-317-080	LED,SLR-342VCT31 RED	ABC.....
LED	403	87-A40-317-080	LED,SLR-342VCT31 RED	ABC.....
LED	402	87-A40-317-080	LED,SLR-342VCT31 RED	ABC.....
LED	405	87-A40-317-080	LED,SLR-342VCT31 RED	ABC.....
LED	409	87-A40-496-040	LED,SLR-342MCT31 GRN	ABC.....

# ELECTRICAL MAIN PARTS LIST - 3/10

LED	407	87-A40-496-040	LED,SLR-342MCT31 GRN	ABC.....
LED	408	87-A40-496-040	LED,SLR-342MCT31 GRN	ABC.....
LED	406	87-A40-496-040	LED,SLR-342MCT31 GRN	ABC.....
LED	412	87-A40-496-040	LED,SLR-342MCT31 GRN	ABC.....
LED	414	87-A40-496-040	LED,SLR-342MCT31 GRN	ABC.....
LED	411	87-A40-496-040	LED,SLR-342MCT31 GRN	ABC.....
LED	413	87-A40-496-040	LED,SLR-342MCT31 GRN	ABC.....
LED	410	87-A40-496-040	LED,SLR-342MCT31 GRN	ABC.....
LED	415	87-A40-496-040	LED,SLR-342MCT31 GRN	ABC.....
LED	416	87-A40-619-080	LED,SLR-56PT-TE7-W GRN	ABC.....
LED	417	87-A40-619-080	LED,SLR-56PT-TE7-W GRN	ABC.....
LED	418	87-A40-619-080	LED,SLR-56PT-TE7-W GRN	ABC.....
LED	419	87-A40-619-080	LED,SLR-56PT-TE7-W GRN	ABC.....
LED	421	87-A40-619-080	LED,SLR-56PT-TE7-W GRN	ABC.....
LED	420	87-A40-619-080	LED,SLR-56PT-TE7-W GRN	ABC.....
LED	438	87-A40-317-080	LED,SLR-342VCT31 RED	ABC.....
LED	439	87-A40-317-080	LED,SLR-342VCT31 RED	ABC.....
LED	433	87-A40-631-010	LED,SEL1550CM-LF55 GRN	ABC.....
LED	434	87-A40-631-010	LED,SEL1550CM-LF55 GRN	ABC.....
LED	435	87-A40-631-010	LED,SEL1550CM-LF55 GRN	ABC.....
LED	436	87-A40-631-010	LED,SEL1550CM-LF55 GRN	ABC.....
LED	440	87-A40-317-080	LED,SLR-342VCT31 RED	ABC.....
LED	443	87-A40-637-040	LED,SLV-312MC GRN	ABC.....
LED	445	87-A40-637-040	LED,SLV-312MC GRN	ABC.....
LED	441	87-A40-637-040	LED,SLV-312MC GRN	ABC.....
LED	444	87-A40-637-040	LED,SLV-312MC GRN	ABC.....
LED	442	87-A40-637-040	LED,SLV-312MC GRN	ABC.....
LED	461	87-A40-632-010	LED,SEL1250SM-LF55 RED	ABC.....
LED	462	87-A40-632-010	LED,SEL1250SM-LF55 RED	ABC.....
LED	481	87-A40-619-040	LED,SLR-56PT-T31-W GRN	ABC.....
LED	488	87-A40-619-040	LED,SLR-56PT-T31-W GRN	ABC.....
LED	487	87-A40-619-040	LED,SLR-56PT-T31-W GRN	ABC.....
LED	482	87-A40-619-040	LED,SLR-56PT-T31-W GRN	ABC.....
LED	484	87-A40-619-040	LED,SLR-56PT-T31-W GRN	ABC.....
LED	483	87-A40-619-040	LED,SLR-56PT-T31-W GRN	ABC.....
LED	486	87-A40-619-040	LED,SLR-56PT-T31-W GRN	ABC.....
LED	485	87-A40-619-040	LED,SLR-56PT-T31-W GRN	ABC.....
Q	102	87-026-610-080	TR,KTC3198GR	ABC.....
Q	108	87-A30-073-080	C-TR,RT1N 141C	ABC.....
Q	101	87-A30-087-080	C-FET,2SK2158	ABC.....
Q	104	87-A30-087-080	C-FET,2SK2158	ABC.....
Q	103	87-A30-087-080	C-FET,2SK2158	ABC.....
Q	262	87-A30-085-070	C-TR,CSA1362GR	ABC.....
Q	301	87-A30-076-080	C-TR,2SC3052F	ABC.....
Q	701	87-A30-240-080	TR,CSA1585BC	ABC.....
Q	704	87-A30-318-080	TR,CSA952K	ABC.....
Q	705	87-A30-318-080	TR,CSA952K	ABC.....
Q	701	87-A30-329-080	TR,CD1585BC	ABC.....
R	210	87-012-157-080	C-CAP,S 330P-50 CH	ABC.....
R	212	87-012-157-080	C-CAP,S 330P-50 CH	ABC.....
R	213	87-012-157-080	C-CAP,S 330P-50 CH	ABC.....
S	101	87-A90-471-010	SW,RTRY EC16B24304-25 NON	ABC.....
S	102	87-A91-018-010	SW,RTRY EC12E12504ENC-30	ABC.....
S	303	87-A90-095-080	SW,TACT EVQ11G04M	ABC.....
S	306	87-A90-095-080	SW,TACT EVQ11G04M	A.....
S	302	87-A90-095-080	SW,TACT EVQ11G04M	ABC.....
S	308	87-A90-095-080	SW,TACT EVQ11G04M	ABC.....
S	304	87-A90-095-080	SW,TACT EVQ11G04M	A.....
S	301	87-A90-095-080	SW,TACT EVQ11G04M	ABC.....
S	305	87-A90-095-080	SW,TACT EVQ11G04M	A.....
S	309	87-A90-095-080	SW,TACT EVQ11G04M	ABC.....
S	310	87-A90-095-080	SW,TACT EVQ11G04M	ABC.....
S	314	87-A90-095-080	SW,TACT EVQ11G04M	A.C.....
S	311	87-A90-095-080	SW,TACT EVQ11G04M	ABC.....
S	313	87-A90-095-080	SW,TACT EVQ11G04M	ABC.....
S	312	87-A90-095-080	SW,TACT EVQ11G04M	ABC.....
S	315	87-A90-095-080	SW,TACT EVQ11G04M	A.C.....
S	321	87-A90-095-080	SW,TACT EVQ11G04M	ABC.....
S	328	87-A90-095-080	SW,TACT EVQ11G04M	A.C.....
S	329	87-A90-095-080	SW,TACT EVQ11G04M	ABC.....
S	323	87-A90-095-080	SW,TACT EVQ11G04M	ABC.....
S	322	87-A90-095-080	SW,TACT EVQ11G04M	ABC.....
S	325	87-A90-095-080	SW,TACT EVQ11G04M	ABC.....
S	327	87-A90-095-080	SW,TACT EVQ11G04M	ABC.....
S	326	87-A90-095-080	SW,TACT EVQ11G04M	ABC.....
S	324	87-A90-095-080	SW,TACT EVQ11G04M	ABC.....
S	332	87-A90-095-080	SW,TACT EVQ11G04M	ABC.....
S	333	87-A90-095-080	SW,TACT EVQ11G04M	ABC.....
S	334	87-A90-095-080	SW,TACT EVQ11G04M	ABC.....
S	335	87-A90-095-080	SW,TACT EVQ11G04M	ABC.....
S	347	87-A90-095-080	SW,TACT EVQ11G04M	ABC.....
S	346	87-A90-095-080	SW,TACT EVQ11G04M	ABC.....
S	341	87-A90-095-080	SW,TACT EVQ11G04M	ABC.....
S	343	87-A90-095-080	SW,TACT EVQ11G04M	ABC.....
S	348	87-A90-095-080	SW,TACT EVQ11G04M	ABC.....
S	345	87-A90-095-080	SW,TACT EVQ11G04M	ABC.....
S	344	87-A90-095-080	SW,TACT EVQ11G04M	ABC.....
S	342	87-A90-095-080	SW,TACT EVQ11G04M	ABC.....
S	349	87-A90-095-080	SW,TACT EVQ11G04M	ABC.....
S	350	87-A90-095-080	SW,TACT EVQ11G04M	ABC.....
S	355	87-A90-095-080	SW,TACT EVQ11G04M	ABC.....
S	351	87-A90-095-080	SW,TACT EVQ11G04M	ABC.....

# ELECTRICAL MAIN PARTS LIST - 4/10

S	353	87-A90-095-080	SW,TACT EVQ11G04M	ABC.....
S	354	87-A90-095-080	SW,TACT EVQ11G04M	ABC.....
S	352	87-A90-095-080	SW,TACT EVQ11G04M	ABC.....
C	802	87-010-168-080	CAP,CHIP 150P	ABC.....
C	804	87-010-187-080	CAP CHIP S5600P	ABC.....
C	807	87-010-196-080	CHIP CAPACITOR,0.1-25	ABC.....
C	805	87-010-196-080	CHIP CAPACITOR,0.1-25	ABC.....
C	806	87-010-401-040	CAP,E 1-50 SME	ABC.....
C	809	87-012-155-080	C-CAP 180P-50CH	ABC.....
C	810	87-010-263-040	CAP,E 100-10	ABC.....
C	811	87-010-382-040	CAP,E 22-25 SME	ABC.....
C	812	87-010-405-040	CAP,E 10-50	ABC.....
D	801	87-017-931-080	ZENER,MTZJ5.6B	ABC.....
IC	801	87-A21-051-040	C-IC,BU9990-03FS	ABC.....
JW	801	87-008-372-080	FILTER,EMI BL OIRNI	ABC.....
L	802	87-005-847-080	COIL,2.2UH(CECS)	ABC.....
L	801	87-A50-093-010	COIL,CLOCK 5.76MHZ	ABC.....
		87-010-179-080	CAP,CHIP S B1200P	.B.....
C	309	87-010-196-080	CHIP CAPACITOR,0.1-25	.....
C	307	87-010-196-080	CHIP CAPACITOR,0.1-25	ABC.....
C	302	87-010-318-080	C-CAP,S 47P-50 CH	ABC.....
C	301	87-010-318-080	C-CAP,S 47P-50 CH	ABC.....
C	305	87-012-145-080	CAP,CHIP S 270P CH	ABC.....
C	306	87-012-145-080	CAP,CHIP S 270P CH	ABC.....
C	303	87-012-157-080	C-CAP,S 330P-50 CH	ABC.....
C	304	87-012-157-080	C-CAP,S 330P-50 CH	ABC.....
C	316	87-010-178-080	CHIP CAP 1000P	ABC.....
C	315	87-010-178-080	CHIP CAP 1000P	ABC.....
C	314	87-010-179-080	CAP,CHIP S B1200P	.....
C	316	87-010-179-080	CAP,CHIP S B1200P	.....
C	313	87-010-179-080	CAP,CHIP S B1200P	.....
C	315	87-010-179-080	CAP,CHIP S B1200P	.....
C	313	87-010-181-080	CAP,CHIP S 1800P	ABC.....
C	314	87-010-181-080	CAP,CHIP S 1800P	ABC.....
C	310	87-010-196-080	CHIP CAPACITOR,0.1-25	.....
C	311	87-010-198-080	CAP,CHIP 0.022	ABC.....
C	312	87-010-198-080	CAP,CHIP 0.022	ABC.....
C	319	87-012-141-080	CHIP-CAPACITOR,0.22-16F	ABC.....
C	318	87-A10-201-080	C-CAP,S0.33-16 KB	ABC.....
C	317	87-A10-201-080	C-CAP,S0.33-16 KB	ABC.....
C	324	87-010-260-080	CAP,ELECT 47-25V	ABC.....
C	325	87-010-370-080	CAP,E 330-6.3 SME	ABC.....
C	327	87-010-404-080	CAP,ELECT 4.7-50V	ABC.....
C	328	87-010-404-080	CAP,ELECT 4.7-50V	ABC.....
C	320	87-012-141-080	CHIP-CAPACITOR,0.22-16F	ABC.....
C	322	87-016-492-080	C-CAP,S 0.33-16 FZ	ABC.....
C	321	87-016-492-080	C-CAP,S 0.33-16 FZ	ABC.....
C	332	87-010-196-080	CHIP CAPACITOR,0.1-25	ABC.....
C	337	87-010-196-080	CHIP CAPACITOR,0.1-25	ABC.....
C	339	87-010-196-080	CHIP CAPACITOR,0.1-25	ABC.....
C	335	87-010-401-080	CAP,ELECT 1-50V	ABC.....
C	336	87-010-401-080	CAP,ELECT 1-50V	ABC.....
C	340	87-010-196-080	CHIP CAPACITOR,0.1-25	ABC.....
C	354	87-010-175-080	CAP 560P	ABC.....
C	358	87-010-183-080	C-CAP,S 2700P-50 B	ABC.....
C	359	87-010-183-080	C-CAP,S 2700P-50 B	ABC.....
C	357	87-010-197-080	CAP,CHIP 0.01 DM	ABC.....
C	356	87-010-260-080	CAP,ELECT 47-25V	ABC.....
C	351	87-012-140-080	CAP 470P	ABC.....
C	352	87-012-140-080	CAP 470P	ABC.....
C	355	87-012-349-080	C-CAP,S 1000P-50 CH	ABC.....
C	360	87-010-183-080	C-CAP,S 2700P-50 B	ABC.....
C	372	87-010-175-080	CAP 560P	ABC.....
C	371	87-010-175-080	CAP 560P	ABC.....
C	373	87-010-179-080	CAP,CHIP S B1200P	A.C.....
C	374	87-010-179-080	CAP,CHIP S B1200P	A.C.....
C	378	87-010-196-080	CHIP CAPACITOR,0.1-25	ABC.....
C	370	87-010-196-080	CHIP CAPACITOR,0.1-25	ABC.....
C	379	87-010-382-080	CAP,ELECT 22-25V	.....
C	375	87-010-545-080	CAP,ELECT 0.22-50V	ABC.....
C	376	87-010-545-080	CAP,ELECT 0.22-50V	ABC.....
C	373	87-016-083-080	C-CAP,S 0.15-16 RK	.....
C	374	87-016-083-080	C-CAP,S 0.15-16 RK	.....
C	385	87-010-184-080	CHIP CAPACITOR 3300P(K)	ABC.....
C	386	87-010-196-080	CHIP CAPACITOR,0.1-25	ABC.....
C	383	87-010-197-080	CAP,CHIP 0.01 DM	ABC.....
C	381	87-010-197-080	CAP,CHIP 0.01 DM	ABC.....
C	382	87-010-312-080	C-CAP,S 15P-50 CH	.....
C	382	87-010-318-080	C-CAP,S 47P-50 CH	ABC.....
C	380	87-010-382-080	CAP,ELECT 22-25V	.....
C	384	87-010-402-080	CAP,ELECT 2.2-50V	ABC.....
C	387	87-012-145-080	CAP,CHIP S 270P CH	.....
C	388	87-012-156-080	C-CAP,S 220P-50 CH	ABC.....
C	393	87-010-319-080	C-CAP,S 56P-50 CH	.....
C	394	87-010-319-080	C-CAP,S 56P-50 CH	.....
C	391	87-010-319-080	C-CAP,S 56P-50 CH	.....
C	392	87-010-319-080	C-CAP,S 56P-50 CH	.....
C	391	87-012-145-080	CAP,CHIP S 270P CH	ABC.....
C	393	87-012-145-080	CAP,CHIP S 270P CH	ABC.....
C	392	87-012-145-080	CAP,CHIP S 270P CH	ABC.....
C	394	87-012-145-080	CAP,CHIP S 270P CH	ABC.....
CN	301	87-099-827-010	CONN,3P S2M-3W	ABC.....

# ELECTRICAL MAIN PARTS LIST - 5/10

CN	351	87-099-832-010	CONN,8P S2M-8W	ABC.....
D	352	87-A40-269-080	C-DIODE,MC2836	ABC.....
FB	301	87-008-372-080	FILTER, EMI BL OIRNI	ABC.....
IC	302	87-A20-355-010	IC,CXA1553P	ABC.....
IC	303	87-A20-783-040	C-IC,BA7762AFS	ABC.....
L	301	87-A50-049-010	COIL,TRAP 85K(COI)	ABC.....
L	302	87-A50-049-010	COIL,TRAP 85K(COI)	ABC.....
L	351	87-007-342-010	COIL,OSC 85K BIAS	ABC.....
Q	357	87-026-610-080	TR,KTC3198GR	ABC.....
Q	358	87-026-610-080	TR,KTC3198GR	ABC.....
Q	359	87-026-610-080	TR,KTC3198GR	ABC.....
Q	356	87-A30-076-080	C-TR,2SC3052F	ABC.....
Q	354	87-A30-087-080	C-FET,2SK2158	ABC.....
Q	351	87-A30-087-080	C-FET,2SK2158	ABC.....
Q	353	87-A30-087-080	C-FET,2SK2158	ABC.....
Q	355	87-A30-105-080	C-TR,RT1P 441C	ABC.....
Q	383	87-A30-075-080	C-TR,2SA1235F	.....
Q	382	87-A30-076-080	C-TR,2SC3052F	ABC.....
Q	381	87-A30-076-080	C-TR,2SC3052F	ABC.....
SFR	305	87-A90-433-080	SFR,50K H NVZ6TLTA	ABC.....
SFR	306	87-A90-433-080	SFR,50K H NVZ6TLTA	ABC.....
SFR	302	87-A90-557-080	SFR,33K H HOKU	ABC.....
SFR	304	87-A90-557-080	SFR,33K H HOKU	ABC.....
SFR	303	87-A90-557-080	SFR,33K H HOKU	ABC.....
SFR	301	87-A90-557-080	SFR,33K H HOKU	ABC.....
SFR	351	87-A90-433-080	SFR,50K H NVZ6TLTA	ABC.....
SFR	352	87-A90-433-080	SFR,50K H NVZ6TLTA	ABC.....
C	407	87-010-188-080	CAP,CHIP 6800P	ABC.....
C	408	87-010-188-080	CAP,CHIP 6800P	ABC.....
C	401	87-010-196-080	CHIP CAPACITOR,0.1-25	ABC.....
C	402	87-010-260-080	CAP, ELECT 47-25V	ABC.....
C	404	87-010-404-080	CAP, ELECT 4.7-50V	ABC.....
C	406	87-010-404-080	CAP, ELECT 4.7-50V	ABC.....
C	405	87-010-404-080	CAP, ELECT 4.7-50V	ABC.....
C	403	87-010-404-080	CAP, ELECT 4.7-50V	ABC.....
C	409	87-012-140-080	CAP 470P	ABC.....
C	416	87-010-197-080	CAP, CHIP 0.01 DM	ABC.....
C	415	87-010-197-080	CAP, CHIP 0.01 DM	ABC.....
C	419	87-010-260-080	CAP, ELECT 47-25V	ABC.....
C	411	87-010-404-080	CAP, ELECT 4.7-50V	ABC.....
C	414	87-010-404-080	CAP, ELECT 4.7-50V	ABC.....
C	413	87-010-404-080	CAP, ELECT 4.7-50V	ABC.....
C	412	87-010-404-080	CAP, ELECT 4.7-50V	ABC.....
C	417	87-010-956-080	CHIP-CAP,S 0.068-25B	ABC.....
C	418	87-010-956-080	CHIP-CAP,S 0.068-25B	ABC.....
C	410	87-012-140-080	CAP 470P	ABC.....
C	422	87-012-156-080	C-CAP,S 220P-50 CH	ABC.....
C	421	87-012-156-080	C-CAP,S 220P-50 CH	ABC.....
D	402	87-020-465-080	DIODE,1SS133 (110MA)	ABC.....
D	401	87-A40-269-080	C-DIODE,MC2836	ABC.....
IC	401	87-A21-022-040	C-IC,BA3880FS	ABC.....
C	457	87-010-196-080	CHIP CAPACITOR,0.1-25	ABC.....
C	458	87-010-196-080	CHIP CAPACITOR,0.1-25	ABC.....
C	451	87-010-401-080	CAP, ELECT 1-50V	ABC.....
C	452	87-010-401-080	CAP, ELECT 1-50V	ABC.....
C	451	87-010-404-080	CAP, ELECT 4.7-50V	.....
C	452	87-010-404-080	CAP, ELECT 4.7-50V	.....
C	459	87-A10-299-080	CAP,M 0.022-50 J	ABC.....
C	456	87-A10-305-080	CAP,M 0.068-50 J	ABC.....
C	455	87-A10-305-080	CAP,M 0.068-50 J	ABC.....
C	466	87-A10-299-080	CAP,M 0.022-50 J	ABC.....
C	465	87-A10-299-080	CAP,M 0.022-50 J	ABC.....
C	460	87-A10-299-080	CAP,M 0.022-50 J	ABC.....
C	481	87-010-322-080	C-CAP,S 100P-50 CH	ABC.....
IC	451	87-A21-031-040	C-IC,BU4551BF	ABC.....
		87-067-579-010	TAPPING SCREW, BVT2+3-8	ABC.....
		87-067-689-010	TAPPING SCREW, BVTT+3-8	.....
		8Z-NF8-669-110	CONN ASSY,9P VH	.B
C	9	87-010-928-000	CAP,E 4700-25 M SMG	ABC.....
C	4	87-012-368-080	C-CAP,S 0.1-50 F	ABC.....
C	6	87-012-368-080	C-CAP,S 0.1-50 F	ABC.....
C	3	87-012-368-080	C-CAP,S 0.1-50 F	ABC.....
C	5	87-012-368-080	C-CAP,S 0.1-50 F	ABC.....
C	2	87-012-369-080	C-CAP,S 0.047-50F	ABC.....
C	1	87-012-369-080	C-CAP,S 0.047-50F	ABC.....
C	10	87-010-928-000	CAP,E 4700-25 M SMG	ABC.....
C	27	87-010-197-080	CAP, CHIP 0.01 DM	ABC.....
C	26	87-010-263-080	CAP, ELECT 100-10V	ABC.....
C	28	87-010-263-080	CAP, ELECT 100-10V	.....
C	29	87-010-384-080	CAP, ELECT 100-25V	ABC.....
C	23	87-010-385-080	CAP, ELECT 220-25V	ABC.....
C	22	87-010-385-080	CAP, ELECT 220-25V	ABC.....
C	24	87-010-385-080	CAP, ELECT 220-25V	ABC.....
C	21	87-010-385-080	CAP, ELECT 220-25V	ABC.....
C	25	87-010-409-080	CAP,E 220-50 SME	ABC.....
C	27	87-012-140-080	CAP 470P	.....
C	30	87-010-112-080	CAP, ELECT 100-16V	ABC.....
C	31	87-010-235-080	CAP,E 470-16 SME	ABC.....
C	61	87-010-260-080	CAP, ELECT 47-25V	ABC.....
C	62	87-010-496-080	CAP,E 3.3-50 5L	ABC.....
CNA	1	8Z-NF8-669-110	CONN ASSY,9P VH	A.C
D	9	87-020-465-080	DIODE,1SS133 (110MA)	ABC.....

# ELECTRICAL MAIN PARTS LIST - 6/10

D	8	87-020-465-080	DIODE,1SS133 (110MA)	ABC.....
D	6	87-070-274-080	DIODE,1N4003 SEM	ABC.....
D	3	87-070-274-080	DIODE,1N4003 SEM	ABC.....
D	5	87-070-274-080	DIODE,1N4003 SEM	ABC.....
D	4	87-070-274-080	DIODE,1N4003 SEM	ABC.....
D	7	87-A40-341-080	ZENER,MTZJ 36 A	ABC.....
D	1	87-A40-547-090	DIODE,D5SBA20	ABC.....
D	10	87-A40-345-080	ZENER,MTZJ10C	ABC.....
D	64	87-070-274-080	DIODE,1N4003 SEM	ABC.....
D	62	87-A40-269-080	C-DIODE,MC2836	ABC.....
D	61	87-A40-270-080	C-DIODE,MC2838	ABC.....
D	99	87-A40-336-080	ZENER,MTZJ27D T-72	.....
Q	1	87-026-609-080	TR,KTA1266GR	ABC.....
Q	2	87-026-609-080	TR,KTA1266GR	ABC.....
Q	5	87-026-610-080	TR,KTC3198GR	ABC.....
Q	7	87-A30-075-080	C-TR,2SA1235F	.....
Q	8	87-A30-075-080	C-TR,2SA1235F	ABC.....
Q	6	87-A30-076-080	C-TR,2SC3052F	ABC.....
Q	9	87-A30-234-080	TR,CSC4115BC	ABC.....
Q	3	89-213-702-010	TR,2SB1370 (1.8W)	ABC.....
Q	4	89-213-702-010	TR,2SB1370 (1.8W)	ABC.....
Q	66	87-A30-075-080	C-TR,2SA1235F	ABC.....
Q	64	87-A30-075-080	C-TR,2SA1235F	ABC.....
Q	67	87-A30-076-080	C-TR,2SC3052F	ABC.....
Q	65	87-A30-076-080	C-TR,2SC3052F	ABC.....
Q	63	87-A30-076-080	C-TR,2SC3052F	ABC.....
R	20	87-A00-261-080	RES,M/F 0.56-1W J	.....
WH	1	87-A90-510-010	HLDR,WIRE 2.5-9P	ABC.....
		87-067-703-010	TAPPING SCREW, BVT2+3-10	ABC.....
C	33	87-010-405-080	CAP, ELECT 10-50V	ABC.....
C	34	87-010-405-080	CAP, ELECT 10-50V	ABC.....
C	32	87-012-368-080	C-CAP,S 0.1-50 F	ABC.....
C	34	87-016-299-080	CAP,E 10-100 SME	.....
C	33	87-016-299-080	CAP,E 10-100 SME	.....
C	102	87-010-178-080	CHIP CAP 1000P	ABC.....
C	101	87-010-178-080	CHIP CAP 1000P	ABC.....
C	102	87-010-183-080	C-CAP,S 2700P-50 B	.....
C	101	87-010-183-080	C-CAP,S 2700P-50 B	.....
C	106	87-010-186-080	CAP,CHIP 4700P	.....
C	105	87-010-186-080	CAP,CHIP 4700P	.....
C	109	87-010-322-080	C-CAP,S 100P-50 CH	ABC.....
C	103	87-010-400-080	CAP, ELECT 0.47-50V	.....
C	104	87-010-400-080	CAP, ELECT 0.47-50V	.....
C	108	87-010-403-080	CAP, ELECT 3.3-50V	.....
C	107	87-010-403-080	CAP, ELECT 3.3-50V	.....
C	103	87-010-405-080	CAP, ELECT 10-50V	ABC.....
C	104	87-010-405-080	CAP, ELECT 10-50V	ABC.....
C	108	87-010-408-080	CAP, ELECT 47-50V	ABC.....
C	107	87-010-408-080	CAP, ELECT 47-50V	ABC.....
C	112	87-010-260-080	CAP, ELECT 47-25V	ABC.....
C	111	87-010-260-080	CAP, ELECT 47-25V	ABC.....
C	110	87-010-322-080	C-CAP,S 100P-50 CH	ABC.....
C	118	87-016-247-080	C-CAP,0.1-50 F	ABC.....
C	117	87-016-247-080	C-CAP,0.1-50 F	ABC.....
C	114	87-A10-812-080	C-CAP,S 220P-200 J CH	ABC.....
C	113	87-A10-812-080	C-CAP,S 220P-200 J CH	ABC.....
C	123	87-010-176-080	C-CAP,S 680P-50 SL	ABC.....
C	124	87-010-176-080	C-CAP,S 680P-50 SL	ABC.....
C	121	87-010-178-080	CHIP CAP 1000P	ABC.....
C	122	87-010-178-080	CHIP CAP 1000P	ABC.....
C	129	87-010-191-080	C-CAP,S 0.015-50 F	ABC.....
C	126	87-012-368-080	C-CAP,S 0.1-50 F	ABC.....
C	127	87-012-368-080	C-CAP,S 0.1-50 F	ABC.....
C	128	87-012-368-080	C-CAP,S 0.1-50 F	ABC.....
C	125	87-012-368-080	C-CAP,S 0.1-50 F	ABC.....
C	130	87-010-191-080	C-CAP,S 0.015-50 F	ABC.....
C	136	87-010-196-080	CHIP CAPACITOR,0.1-25	ABC.....
C	133	87-010-197-080	CAP, CHIP 0.01 DM	ABC.....
C	131	87-010-197-080	CAP, CHIP 0.01 DM	ABC.....
C	132	87-010-197-080	CAP, CHIP 0.01 DM	ABC.....
D	14	87-020-465-080	DIODE,1SS133 (110MA)	ABC.....
D	15	87-020-465-080	DIODE,1SS133 (110MA)	ABC.....
D	12	87-020-465-080	DIODE,1SS133 (110MA)	ABC.....
D	11	87-020-465-080	DIODE,1SS133 (110MA)	ABC.....
D	13	87-020-465-080	DIODE,1SS133 (110MA)	ABC.....
D	19	87-A40-183-090	DIODE,RK36(F)	ABC.....
D	16	87-A40-345-080	ZENER,MTZJ10C	ABC.....
D	24	87-070-136-080	ZENER,MTZJ5.1B	ABC.....
D	23	87-070-136-080	ZENER,MTZJ5.1B	ABC.....
D	20	87-A40-183-090	DIODE,RK36(F)	ABC.....
D	25	87-A40-345-080	ZENER,MTZJ10C	ABC.....
D	25	87-A40-346-080	ZENER,MTZJ 8.2C	.....
D	24	87-A40-438-080	ZENER,MTZJ4.7A	.....
D	25	87-A40-442-080	ZENER,MTZJ9.1A	.....
D	102	87-020-465-080	DIODE,1SS133 (110MA)	ABC.....
D	104	87-020-465-080	DIODE,1SS133 (110MA)	ABC.....
D	103	87-020-465-080	DIODE,1SS133 (110MA)	ABC.....
D	109	87-020-465-080	DIODE,1SS133 (110MA)	ABC.....
D	101	87-020-465-080	DIODE,1SS133 (110MA)	ABC.....
D	107	87-A40-488-080	DIODE,1SS244	ABC.....
D	108	87-A40-488-080	DIODE,1SS244	ABC.....
D	111	87-020-331-080	CHIP-DIODE,DAN202K	.....

# ELECTRICAL MAIN PARTS LIST - 7/10

D	117	87-020-465-080	DIODE,1SS133 (110MA)	ABC.....
D	114	87-020-465-080	DIODE,1SS133 (110MA)	ABC.....
D	115	87-020-465-080	DIODE,1SS133 (110MA)	ABC.....
D	112	87-020-465-080	DIODE,1SS133 (110MA)	ABC.....
D	110	87-020-465-080	DIODE,1SS133 (110MA)	ABC.....
D	113	87-020-465-080	DIODE,1SS133 (110MA)	ABC.....
D	116	87-020-465-080	DIODE,1SS133 (110MA)	ABC.....
D	111	87-A40-270-080	C-DIODE,MC2838	ABC.....
J	203	87-033-240-010	TERMINAL,SP 4P32SV1-05	ABC.....
J	201	87-A60-483-010	JACK,DIA6.3 BLK ST W/S KM	ABC.....
J	201	87-A60-488-010	JACK,DIA6.3 BLK ST W/SW KM16AT	.....
L	101	87-003-383-010	COIL,1UH-S	ABC.....
L	102	87-003-383-010	COIL,1UH-S	ABC.....
	10	87-A30-072-080	C-TR,RT1P 144C	ABC.....
	12	87-A30-075-080	C-TR,2SA1235F	ABC.....
	11	87-A30-076-080	C-TR,2SC3052F	ABC.....
	14	87-A30-162-010	FET,2SK2937	ABC.....
	13	87-A30-162-010	FET,2SK2937	ABC.....
	61	87-A30-074-080	C-TR,RT1P 141C	ABC.....
	62	87-A30-075-080	C-TR,2SA1235F	ABC.....
	62	87-A30-107-070	C-TR,CMBT5401	.....
	103	87-A30-075-080	C-TR,2SA1235F	ABC.....
	106	87-A30-075-080	C-TR,2SA1235F	ABC.....
	104	87-A30-075-080	C-TR,2SA1235F	ABC.....
	105	87-A30-075-080	C-TR,2SA1235F	ABC.....
	108	87-A30-076-080	C-TR,2SC3052F	ABC.....
	107	87-A30-076-080	C-TR,2SC3052F	ABC.....
	109	87-A30-076-080	C-TR,2SC3052F	ABC.....
	101	87-A30-086-070	C-TR,CSD1306E	ABC.....
	102	87-A30-086-070	C-TR,CSD1306E	ABC.....
	104	87-A30-107-070	C-TR,CMBT5401	.....
	105	87-A30-107-070	C-TR,CMBT5401	.....
	106	87-A30-107-070	C-TR,CMBT5401	.....
	103	87-A30-107-070	C-TR,CMBT5401	.....
	110	87-A30-076-080	C-TR,2SC3052F	ABC.....
	119	87-A30-097-010	TR,FN 1016	.....
	119	87-A30-137-010	TR,2SD2494	ABC.....
	112	87-A30-190-080	TR,CC5551	ABC.....
	111	87-A30-190-080	TR,CC5551	ABC.....
	127	87-A30-075-080	C-TR,2SA1235F	ABC.....
	129	87-A30-076-080	C-TR,2SC3052F	ABC.....
	128	87-A30-076-080	C-TR,2SC3052F	ABC.....
	120	87-A30-097-010	TR,FN 1016	.....
	121	87-A30-098-010	TR,FP 1016	.....
	122	87-A30-098-010	TR,FP 1016	.....
	123	87-A30-106-070	C-TR,CMBT5551	ABC.....
	124	87-A30-106-070	C-TR,CMBT5551	ABC.....
	126	87-A30-107-070	C-TR,CMBT5401	ABC.....
	120	87-A30-137-010	TR,2SD2494	ABC.....
	121	87-A30-138-010	TR,2SB1625	ABC.....
	122	87-A30-138-010	TR,2SB1625	ABC.....
	130	87-A30-076-080	C-TR,2SC3052F	ABC.....
	131	87-A30-076-080	C-TR,2SC3052F	ABC.....
R	129	87-A00-257-080	RES,M/F 0.15-1W J	ABC.....
R	129	87-A00-262-080	RES,M/F 0.15-2W J	.....
R	131	87-A00-257-080	RES,M/F 0.15-1W J	ABC.....
R	132	87-A00-257-080	RES,M/F 0.15-1W J	ABC.....
R	130	87-A00-257-080	RES,M/F 0.15-1W J	ABC.....
R	130	87-A00-262-080	RES,M/F 0.15-2W J	.....
R	131	87-A00-262-080	RES,M/F 0.15-2W J	.....
R	132	87-A00-262-080	RES,M/F 0.15-2W J	.....
R	146	87-A00-440-050	RES,220-1/2W J RP	ABC.....
R	144	87-A00-440-050	RES,220-1/2W J RP	ABC.....
R	145	87-A00-440-050	RES,220-1/2W J RP	ABC.....
R	143	87-A00-440-050	RES,220-1/2W J RP	ABC.....
R	166	87-A00-257-080	RES,M/F 0.15-1W J	ABC.....
R	165	87-A00-257-080	RES,M/F 0.15-1W J	ABC.....
R	165	87-A00-262-080	RES,M/F 0.15-2W J	.....
R	166	87-A00-262-080	RES,M/F 0.15-2W J	.....
TH	101	87-A91-042-080	C-THMS,100K 55001	ABC.....
TH	102	87-A91-042-080	C-THMS,100K 55001	ABC.....
C	204	87-010-177-080	C-CAP,S 820P-50 SL	ABC.....
C	203	87-010-177-080	C-CAP,S 820P-50 SL	ABC.....
C	209	87-010-403-080	CAP,ELECT 3.3-50V	ABC.....
C	211	87-010-181-080	CAP,CHIP S 1800P	ABC.....
C	212	87-010-181-080	CAP,CHIP S 1800P	ABC.....
C	218	87-010-260-080	CAP,ELECT 47-25V	ABC.....
C	217	87-010-260-080	CAP,ELECT 47-25V	ABC.....
C	216	87-010-322-080	C-CAP,S 100P-50 CH	ABC.....
C	215	87-010-322-080	C-CAP,S 100P-50 CH	ABC.....
C	213	87-010-403-080	CAP,ELECT 3.3-50V	ABC.....
C	214	87-010-403-080	CAP,ELECT 3.3-50V	ABC.....
C	210	87-010-403-080	CAP,ELECT 3.3-50V	ABC.....
C	219	87-A10-946-080	C-CAP,S 220P-100 J CH	ABC.....
C	227	87-010-186-080	CAP,CHIP 4700P	ABC.....
C	228	87-010-186-080	CAP,CHIP 4700P	ABC.....
C	229	87-010-993-080	C-CAP,S 0.056-25 B	ABC.....
C	226	87-012-368-080	C-CAP,S 0.1-50 F	ABC.....
C	225	87-012-368-080	C-CAP,S 0.1-50 F	ABC.....
C	220	87-A10-946-080	C-CAP,S 220P-100 J CH	ABC.....
C	234	87-010-190-080	S CHIP F 0.01	ABC.....
C	233	87-010-190-080	S CHIP F 0.01	ABC.....



# ELECTRICAL MAIN PARTS LIST - 8/10

C	239	87-010-196-080	CHIP CAPACITOR,0.1-25	ABC.....
C	231	87-010-196-080	CHIP CAPACITOR,0.1-25	ABC.....
C	232	87-010-196-080	CHIP CAPACITOR,0.1-25	ABC.....
C	238	87-010-322-080	C-CAP,S 100P-50 CH	ABC.....
C	237	87-010-322-080	C-CAP,S 100P-50 CH	ABC.....
C	230	87-010-993-080	C-CAP,S 0.056-25 B	ABC.....
C	236	87-016-285-080	CAP,E 47-100SME	ABC.....
C	235	87-016-285-080	CAP,E 47-100SME	ABC.....
D	209	87-020-465-080	DIODE,1SS133 (110MA)	ABC.....
D	204	87-020-465-080	DIODE,1SS133 (110MA)	ABC.....
D	203	87-020-465-080	DIODE,1SS133 (110MA)	ABC.....
D	201	87-020-465-080	DIODE,1SS133 (110MA)	ABC.....
D	202	87-020-465-080	DIODE,1SS133 (110MA)	ABC.....
D	208	87-A40-488-080	DIODE,1SS244	ABC.....
D	207	87-A40-488-080	DIODE,1SS244	ABC.....
D	211	87-020-331-080	CHIP-DIODE,DAN202K	.....
D	210	87-020-465-080	DIODE,1SS133 (110MA)	ABC.....
D	214	87-020-465-080	DIODE,1SS133 (110MA)	ABC.....
D	212	87-020-465-080	DIODE,1SS133 (110MA)	A.C.....
D	211	87-A40-270-080	C-DIODE,MC2838	ABC.....
J	204	87-A60-641-010	JACK,PIN 4P R/W/B JALCO	.....
J	204	87-A60-750-010	JACK,PIN 4P R/W BLUE	ABC.....
L	201	87-003-383-010	COIL,1UH-S	ABC.....
L	202	87-003-383-010	COIL,1UH-S	ABC.....
Q	204	87-A30-075-080	C-TR,2SA1235F	ABC.....
Q	205	87-A30-075-080	C-TR,2SA1235F	ABC.....
Q	206	87-A30-075-080	C-TR,2SA1235F	ABC.....
Q	203	87-A30-075-080	C-TR,2SA1235F	ABC.....
Q	209	87-A30-076-080	C-TR,2SC3052F	ABC.....
Q	208	87-A30-076-080	C-TR,2SC3052F	ABC.....
Q	207	87-A30-076-080	C-TR,2SC3052F	ABC.....
Q	201	87-A30-086-070	C-TR,CSD1306E	ABC.....
Q	202	87-A30-086-070	C-TR,CSD1306E	ABC.....
Q	210	87-A30-076-080	C-TR,2SC3052F	ABC.....
Q	219	87-A30-106-070	C-TR,CMBT5551	ABC.....
Q	211	87-A30-190-080	TR,CC5551	ABC.....
Q	212	87-A30-190-080	TR,CC5551	ABC.....
Q	218	87-A30-255-010	TR,2SB1342	ABC.....
Q	217	87-A30-255-010	TR,2SB1342	ABC.....
Q	216	87-A30-256-010	TR,2SD1933	ABC.....
Q	215	87-A30-256-010	TR,2SD1933	ABC.....
Q	221	87-A30-073-080	C-TR,RT1N 141C	A.C.....
Q	226	87-A30-076-080	C-TR,2SC3052F	ABC.....
Q	227	87-A30-076-080	C-TR,2SC3052F	ABC.....
Q	225	87-A30-076-080	C-TR,2SC3052F	ABC.....
Q	224	87-A30-076-080	C-TR,2SC3052F	ABC.....
Q	220	87-A30-106-070	C-TR,CMBT5551	ABC.....
R	231	87-A00-258-080	RES,M/F 0.22-1W J	ABC.....
R	232	87-A00-258-080	RES,M/F 0.22-1W J	ABC.....
R	233	87-A00-258-080	RES,M/F 0.22-1W J	ABC.....
R	234	87-A00-258-080	RES,M/F 0.22-1W J	ABC.....
R	265	87-A00-258-080	RES,M/F 0.22-1W J	ABC.....
R	266	87-A00-258-080	RES,M/F 0.22-1W J	ABC.....
RY	201	87-045-382-010	RELAY,OUAZ-SH-112L	A.C.....
C	602	87-010-181-080	CAP,CHIP S 1800P	.....
C	601	87-010-181-080	CAP,CHIP S 1800P	.....
C	602	87-010-183-080	C-CAP,S 2700P-50 B	ABC.....
C	601	87-010-183-080	C-CAP,S 2700P-50 B	ABC.....
C	603	87-010-186-080	CAP,CHIP 4700P	ABC.....
C	604	87-010-186-080	CAP,CHIP 4700P	ABC.....
C	619	87-010-185-080	C-CAP,S 3900P-50 B	ABC.....
C	611	87-010-197-080	CAP,CHIP 0.01 DM	ABC.....
C	613	87-016-081-080	C-CAP,S 0.1-16 RK	ABC.....
C	614	87-016-081-080	C-CAP,S 0.1-16 RK	ABC.....
C	617	87-A10-305-080	CAP,M 0.068-50 J	ABC.....
C	618	87-A10-305-080	CAP,M 0.068-50 J	ABC.....
C	620	87-010-185-080	C-CAP,S 3900P-50 B	ABC.....
C	627	87-010-196-080	CHIP CAPACITOR,0.1-25	ABC.....
C	621	87-010-401-080	CAP,ELECT 1-50V	ABC.....
C	622	87-010-401-080	CAP,ELECT 1-50V	ABC.....
C	626	87-010-401-080	CAP,ELECT 1-50V	ABC.....
C	625	87-010-401-080	CAP,ELECT 1-50V	ABC.....
C	629	87-010-405-080	CAP,ELECT 10-50V	ABC.....
C	623	87-A10-307-080	CAP,M 0.1-50 J	ABC.....
C	624	87-A10-307-080	CAP,M 0.1-50 J	ABC.....
C	637	87-010-183-080	C-CAP,S 2700P-50 B	ABC.....
C	634	87-010-196-080	CHIP CAPACITOR,0.1-25	ABC.....
C	635	87-010-196-080	CHIP CAPACITOR,0.1-25	ABC.....
C	630	87-010-213-080	C-CAP,S 0.015-50 B	ABC.....
C	632	87-010-263-080	CAP,ELECT 100-10V	ABC.....
C	633	87-010-263-080	CAP,ELECT 100-10V	ABC.....
C	636	87-010-992-080	C-CAP,S 0.047-25 B	ABC.....
C	631	87-010-992-080	C-CAP,S 0.047-25 B	ABC.....
C	641	87-010-196-080	CHIP CAPACITOR,0.1-25	ABC.....
C	640	87-010-314-080	C-CAP,S 22P-50V	ABC.....
C	669	87-010-322-080	C-CAP,S 100P-50 CH	ABC.....
C	677	87-010-196-080	CHIP CAPACITOR,0.1-25	ABC.....
C	678	87-010-196-080	CHIP CAPACITOR,0.1-25	ABC.....
C	671	87-010-322-080	C-CAP,S 100P-50 CH	ABC.....
C	672	87-010-322-080	C-CAP,S 100P-50 CH	ABC.....
C	670	87-010-322-080	C-CAP,S 100P-50 CH	ABC.....
C	680	87-010-196-080	CHIP CAPACITOR,0.1-25	ABC.....

# ELECTRICAL MAIN PARTS LIST - 9/10

CN	604	87-099-570-010	CONN,13P TUC-P13P-B1	.BC.....
CN	601	87-099-719-010	CONN,30P TYK-B(X)	ABC.....
CN	602	87-A60-131-010	CONN,6P V FE	ABC.....
CN	605	87-A60-189-010	CONN,16P V TUC-P16P-B1	A.....
D	601	87-A40-002-080	ZENER,MTZJ5.1C	ABC.....
D	603	87-A40-234-080	ZENER,MTZJ5.6A	ABC.....
D	602	87-A40-438-080	ZENER,MTZJ4.7A	ABC.....
IC	601	87-A21-202-040	C-IC,M62445AFP	ABC.....
J	601	87-A60-402-010	JACK,PIN 6P R/W HSP-246V30	ABC.....
Q	601	87-026-609-080	TR,KTA1266GR	ABC.....
Q	603	87-A30-087-080	C-FET,2SK2158	A.....
Q	604	87-A30-142-040	C-TR,DTA123EKA	ABC.....
Q	602	87-A30-269-040	C-FET,2SJ461-T1	A.....
Q	707	87-010-180-080	C-CER 1500P	A.C.....
C	702	87-010-196-080	CHIP CAPACITOR,0.1-25	A.C.....
C	706	87-010-197-080	CAP,CHIP 0.01 DM	A.C.....
C	708	87-010-213-080	C-CAP,S 0.015-50 B	A.C.....
C	709	87-010-213-080	C-CAP,S 0.015-50 B	A.C.....
C	701	87-010-263-080	CAP,ELECT 100-10V	A.C.....
C	703	87-010-319-080	C-CAP,S 56P-50 CH	A.C.....
C	704	87-010-319-080	C-CAP,S 56P-50 CH	A.C.....
C	705	87-012-393-080	C-CAP,S 0.22-16 R K	A.C.....
C	711	87-010-181-080	CAP,CHIP S 1800P	A.C.....
C	717	87-010-183-080	C-CAP,S 2700P-50 B	A.C.....
C	718	87-010-183-080	C-CAP,S 2700P-50 B	A.C.....
C	712	87-010-196-080	CHIP CAPACITOR,0.1-25	A.C.....
C	710	87-010-197-080	CAP,CHIP 0.01 DM	A.C.....
C	714	87-010-374-080	CAP,ELECT 47-10V	A.C.....
C	716	87-010-494-080	CAP ELECT GAS 1/50	A.C.....
C	715	87-010-494-080	CAP ELECT GAS 1/50	A.C.....
C	713	87-010-544-080	CAP,ELECT 0.1-50V	A.C.....
C	735	87-010-178-080	CHIP CAP 1000P	A.C.....
C	736	87-010-196-080	CHIP CAPACITOR,0.1-25	ABC.....
C	733	87-010-196-080	CHIP CAPACITOR,0.1-25	A.C.....
C	731	87-010-498-080	CAP,E 10-16 GAS	A.C.....
C	734	87-012-156-080	C-CAP,S 220P-50 CH	A.C.....
C	741	87-010-178-080	CHIP CAP 1000P	A.C.....
D	701	87-017-931-080	ZENER,MTZJ5.6B	A.C.....
IC	701	87-A20-613-040	C-IC,BU9262AFS	A.C.....
JW	703	87-008-372-080	FILTER,EMI BL OIRNI	A.C.....
L	701	87-005-448-080	COIL 220UH,K	A.C.....
Q	732	87-A30-075-080	C-TR,2SA1235F	A.C.....
Q	731	87-A30-076-080	C-TR,2SC3052F	A.C.....
Q	27	87-012-140-080	CAP 470P	.....
C	101	87-010-178-080	CHIP CAP 1000P	.....
C	102	87-010-178-080	CHIP CAP 1000P	.....
C	122	87-010-178-080	CHIP CAP 1000P	.....
C	121	87-010-178-080	CHIP CAP 1000P	.....
C	136	87-010-196-080	CHIP CAPACITOR,0.1-25	.....
C	133	87-010-197-080	CAP,CHIP 0.01 DM	.....
C	203	87-010-177-080	C-CAP,S 820P-50 SL	.....
C	204	87-010-177-080	C-CAP,S 820P-50 SL	.....
C	211	87-010-181-080	CAP,CHIP S 1800P	.....
C	212	87-010-181-080	CAP,CHIP S 1800P	.....
C	227	87-010-186-080	CAP,CHIP 4700P	.....
C	228	87-010-186-080	CAP,CHIP 4700P	.....
C	232	87-010-196-080	CHIP CAPACITOR,0.1-25	.....
C	231	87-010-196-080	CHIP CAPACITOR,0.1-25	.....
C	307	87-010-196-080	CHIP CAPACITOR,0.1-25	.....
C	309	87-010-196-080	CHIP CAPACITOR,0.1-25	.....
C	302	87-010-318-080	C-CAP,S 47P-50 CH	.....
C	301	87-010-318-080	C-CAP,S 47P-50 CH	.....
C	305	87-012-145-080	CAP,CHIP S 270P CH	.....
C	306	87-012-145-080	CAP,CHIP S 270P CH	.....
C	304	87-012-157-080	C-CAP,S 330P-50 CH	.....
C	303	87-012-157-080	C-CAP,S 330P-50 CH	.....
C	314	87-010-179-080	CAP,CHIP S B1200P	.....
C	316	87-010-179-080	CAP,CHIP S B1200P	.....
C	315	87-010-179-080	CAP,CHIP S B1200P	.....
C	313	87-010-179-080	CAP,CHIP S B1200P	.....
C	310	87-010-196-080	CHIP CAPACITOR,0.1-25	.....
C	312	87-010-198-080	CAP,CHIP 0.022	.....
C	311	87-010-198-080	CAP,CHIP 0.022	.....
C	337	87-010-196-080	CHIP CAPACITOR,0.1-25	.....
C	332	87-010-196-080	CHIP CAPACITOR,0.1-25	.....
C	339	87-010-196-080	CHIP CAPACITOR,0.1-25	.....
C	340	87-010-196-080	CHIP CAPACITOR,0.1-25	.....
C	354	87-010-175-080	CAP 560P	.....
C	358	87-010-183-080	C-CAP,S 2700P-50 B	.....
C	359	87-010-183-080	C-CAP,S 2700P-50 B	.....
C	357	87-010-197-080	CAP,CHIP 0.01 DM	.....
C	352	87-012-140-080	CAP 470P	.....
C	351	87-012-140-080	CAP 470P	.....
C	360	87-010-183-080	C-CAP,S 2700P-50 B	.....
C	370	87-010-196-080	CHIP CAPACITOR,0.1-25	.....
C	378	87-010-196-080	CHIP CAPACITOR,0.1-25	.....
C	386	87-010-196-080	CHIP CAPACITOR,0.1-25	.....
C	383	87-010-197-080	CAP,CHIP 0.01 DM	.....
C	381	87-010-197-080	CAP,CHIP 0.01 DM	.....
C	382	87-010-312-080	C-CAP,S 15P-50 CH	.....
C	387	87-012-145-080	CAP,CHIP S 270P CH	.....
C	388	87-012-156-080	C-CAP,S 220P-50 CH	.....

# ELECTRICAL MAIN PARTS LIST - 10/10

C	393	87-010-319-080	C-CAP,S 56P-50 CH	.....
C	392	87-010-319-080	C-CAP,S 56P-50 CH	.....
C	391	87-010-319-080	C-CAP,S 56P-50 CH	.....
C	394	87-010-319-080	C-CAP,S 56P-50 CH	.....
C	601	87-010-181-080	CAP,CHIP S 1800P	.....
C	602	87-010-181-080	CAP,CHIP S 1800P	.....
C	619	87-010-185-080	C-CAP,S 3900P-50 B	.....
C	611	87-010-197-080	CAP, CHIP 0.01 DM	.....
C	620	87-010-185-080	C-CAP,S 3900P-50 B	.....
C	627	87-010-196-080	CHIP CAPACITOR,0.1-25	.....
C	637	87-010-183-080	C-CAP,S 2700P-50 B	.....
C	634	87-010-196-080	CHIP CAPACITOR,0.1-25	.....
C	635	87-010-196-080	CHIP CAPACITOR,0.1-25	.....
C	630	87-010-213-080	C-CAP,S 0.015-50 B	.....
C	641	87-010-196-080	CHIP CAPACITOR,0.1-25	.....
C	640	87-010-314-080	C-CAP,S 22P-50V	.....
C	678	87-010-196-080	CHIP CAPACITOR,0.1-25	.....
C	677	87-010-196-080	CHIP CAPACITOR,0.1-25	.....
C	680	87-010-196-080	CHIP CAPACITOR,0.1-25	.....
C	736	87-010-196-080	CHIP CAPACITOR,0.1-25	.....
C	408	87-010-188-080	CAP,CHIP 6800P	.....
C	407	87-010-188-080	CAP,CHIP 6800P	.....
C	401	87-010-196-080	CHIP CAPACITOR,0.1-25	.....
C	409	87-012-140-080	CAP 470P	.....
C	416	87-010-197-080	CAP, CHIP 0.01 DM	.....
C	415	87-010-197-080	CAP, CHIP 0.01 DM	.....
C	410	87-012-140-080	CAP 470P	.....
C	457	87-010-196-080	CHIP CAPACITOR,0.1-25	.....
C	458	87-010-196-080	CHIP CAPACITOR,0.1-25	.....

# ELECTRICAL MAIN PARTS LIST - 1/3 (TUNER: ZZA-1)

NOTE: The characters in the suffix column indicate the part usage.

REF.NO	PARTS NO.	NO.	DESCRIPTION	SUFFIX
C	701	87-010-381-080	0E CAP, ELECT 330-16V	ABCDEFGH.....
C	702	87-010-404-080	0E CAP, ELECT 4.7-50V	ABCDEFGH.....
C	711	87-010-260-080	0E CAP, ELECT 47-25V	ABCD.FGH.....
C	711	87-010-553-080	0E CAP,E 47-16	.....E.....
C	712	87-010-831-080	0E C-CAP,U,0.1-16F	ABCDEFGH.....
C	718	87-012-179-080	0E C-CAP,U 20P-50 CH	.BCD.....
C	727	87-010-196-080	0E CHIP CAPACITOR,0.1-25	ABCDEFGH.....
C	728	87-010-248-080	0E CAP, ELECT 220-10V	ABCDEFGH.....
C	722	87-012-176-080	0E CAP 15P	ABCDEFGH.....
C	721	87-012-176-080	0E CAP 15P	ABCDEFGH.....
C	720	87-012-195-080	0E C-CAP,U 100P-50CH	ABCDEFGH.....
C	729	87-012-274-080	0E CHIP CAP,U 1000P-50B	ABCDEFGH.....
C	725	87-018-131-080	0E CAP, CER 1000P-50V	.....FG.....
C	806	87-012-286-080	0E CAP, U 0.01-25	ABCDEFGH.....
C	805	87-012-286-080	0E CAP, U 0.01-25	ABCDEFGH.....
CN	701	87-A60-650-010	1A CONN,16P H GRY TUC-P16X-C1	.....F.....
CN	701	87-A60-700-010	0E CONN,13P H GRY TUC-P13X-C1	ABCDE.GH.....
D	721	87-017-149-080	0E ZENER,HZS6A2L	.BCDEFGH.....
D	722	87-020-465-080	0E DIODE,1SS133 (110MA)	.....FG.....
D	721	87-A40-234-080	0E ZENER,MTZJ5.6A	A.....
IC	721	87-070-127-110	1C IC,LC72131 D	ABCDEFGH.....
Q	712	87-A30-072-080	0E C-TR,RT1P 144C	.....E.....
Q	713	87-A30-072-080	0E C-TR,RT1P 144C	.....E.....
Q	711	87-A30-196-080	0E TR,2SC4115SRS	A.....
Q	711	87-A30-234-080	0E TR,CSC4115BC	.BCDEFGH.....
X	721	87-A70-061-010	1A VIB,XTAL 4.500MHZ CSA-309	ABCDEFGH.....
C	872	87-010-400-080	0E CAP, ELECT 0.47-50V	AB.....H.....
C	873	87-010-404-080	0E CAP, ELECT 4.7-50V	AB.....H.....
C	878	87-012-278-080	0E C-CAP,U 2200P-50 B	AB.....H.....
C	877	87-012-278-080	0E C-CAP,U 2200P-50 B	AB.....H.....
C	889	87-010-248-080	0E CAP, ELECT 220-10V	AB.....H.....
C	884	87-010-260-080	0E CAP, ELECT 47-25V	AB.....H.....
C	883	87-010-404-080	0E CAP, ELECT 4.7-50V	AB.....H.....
C	885	87-010-545-080	0E CAP, ELECT 0.22-50V	A.....H.....
C	886	87-010-545-080	0E CAP, ELECT 0.22-50V	A.....H.....
C	888	87-010-787-080	0E CAP, U 0.022-25	AB.....H.....
C	881	87-012-141-080	0E CHIP-CAPACITOR,0.22-16F	AB.....H.....
C	882	87-012-172-080	0E CAPACITOR CHIP U 10P CH	AB.....H.....
C	887	87-012-286-080	0E CAP, U 0.01-25	AB.....H.....
C	886	87-016-460-080	0E C-CAP,S 0.22-16 B	.B.....
C	885	87-016-460-080	0E C-CAP,S 0.22-16 B	.B.....
IC	871	87-070-060-040	1F IC,TA2040AF	AB.....H.....
Q	873	87-026-226-080	0E CHIP-TR,DTA143EK	AB.....H.....
X	891	87-030-394-010	1B VIB,CER CSA3.6MGF228	AB.....H.....
C	705	87-010-213-080	0E C-CAP,S 0.015-50 B	.....
C	706	87-010-213-080	0E C-CAP,S 0.015-50 B	.....
C	705	87-A10-592-080	0E C-CAP,S 0.015-50 J B	.BCDE.....
C	706	87-A10-592-080	0E C-CAP,S 0.015-50 J B	.BCDE.....
C	734	87-010-180-080	0E C-CER 1500P	.....FG.....
C	738	87-010-180-080	0E C-CER 1500P	.....FG.....
C	737	87-010-180-080	0E C-CER 1500P	.....FG.....
C	733	87-010-180-080	0E C-CER 1500P	.....FG.....
C	735	87-010-213-080	0E C-CAP,S 0.015-50 B	.....
C	736	87-010-213-080	0E C-CAP,S 0.015-50 B	.....
C	733	87-010-987-080	0E C-CAP,S 1500P-50 CH	.BCDE.....
C	735	87-010-987-080	0E C-CAP,S 1500P-50 CH	.BCDE.....
C	734	87-010-987-080	0E C-CAP,S 1500P-50 CH	.BCDE.....
C	736	87-010-987-080	0E C-CAP,S 1500P-50 CH	.BCDE.....
C	734	87-012-280-080	0E CAP, U 3300P-50	.....FG.....
C	733	87-012-280-080	0E CAP, U 3300P-50	.....FG.....
C	738	87-A10-592-080	0E C-CAP,S 0.015-50 J B	.BCDE.....
C	737	87-A10-592-080	0E C-CAP,S 0.015-50 J B	.BCDE.....
C	752	87-010-220-080	0E C-CAP,S 0.018-25 B	.B.E.....
C	751	87-010-220-080	0E C-CAP,S 0.018-25 B	.B.E.....
C	758	87-012-167-080	0E C-CAP,U 5P-50 CH	ABCDEFGH.....
C	757	87-012-188-080	0E C-CAP,U 47P-50 CH	ABCDEFGH.....
C	753	87-012-195-080	0E C-CAP,U 100P-50CH	.....FG.....
C	752	87-012-282-080	0E CAP, U 4700P-50	.....FG.....
C	756	87-012-286-080	0E CAP, U 0.01-25	ABCDEFGH.....
C	751	87-012-365-080	0E C-CAP,S 0.027-25VBK	..CD.....
C	752	87-012-365-080	0E C-CAP,S 0.027-25VBK	..CD.....
C	766	87-010-197-080	0E CAP, CHIP 0.01 DM	.....FG.....
C	769	87-010-260-080	0E CAP, ELECT 47-25V	ABCDEFGH.....
C	765	87-012-286-080	0E CAP, U 0.01-25	ABCDEFGH.....
C	768	87-012-286-080	0E CAP, U 0.01-25	ABCDEFGH.....
C	764	87-012-337-080	0E C-CAP,U 56P-50 CH	ABCDE..H.....
C	774	87-010-263-080	0E CAP, ELECT 100-10V	ABCDEFGH.....
C	771	87-010-383-080	0E CAP, ELECT 33-25V	ABCDEFGH.....
C	777	87-010-400-080	0E CAP, ELECT 0.47-50V	ABCDE..H.....
C	775	87-010-404-080	0E CAP, ELECT 4.7-50V	ABCDEFGH.....
C	777	87-010-493-040	0E CAP,E 0.47-50 GAS	.....FG.....
C	777	87-010-493-080	0E CAP,E 0.47-50 GAS	.....FG.....
C	770	87-010-829-080	0E CAP, U 0.047-16	ABCDEFGH.....
C	780	87-010-196-080	0E CHIP CAPACITOR,0.1-25	ABCDEFGH.....
C	786	87-010-401-080	0E CAP, ELECT 1-50V	ABCDEFGH.....

ELECTRICAL MAIN PARTS LIST - 2/3 (TUNER: ZZA-1)

C	785	87-010-401-080	0E	CAP, ELECT 1-50V	ABCDEFGHIH.....
C	785	87-010-405-080	0E	CAP, ELECT 10-50V	ABCDEFGHIH.....
C	786	87-010-405-080	0E	CAP, ELECT 10-50V	ABCDEFGHIH.....
C	786	87-010-494-080	0E	CAP ELECT GAS 1/50	.....E.....
C	785	87-010-494-080	0E	CAP ELECT GAS 1/50	.....E.....
C	788	87-012-275-080	0E	C-CAP,U 1200P-50 B	ABCDEFGHIH.....
C	787	87-012-275-080	0E	C-CAP,U 1200P-50 B	ABCDEFGHIH.....
C	784	87-012-286-080	0E	CAP, U 0.01-25	ABCDEFGHIH.....
C	796	87-010-403-080	0E	CAP, ELECT 3.3-50V	ABCDEFGHIH.....
C	794	87-010-406-080	0E	CAP, ELECT 22-50	ABCDEFGHIH.....
C	795	87-010-596-080	0E	CAP, S 0.047-16	..CDEFG.....
C	793	87-012-273-080	0E	C-CAP,U 820P-50 B	ABCDEFGHIH.....
C	798	87-012-276-080	0E	CAP, CHIP SS 1500 PBK	A....FGH.....
C	797	87-012-276-080	0E	CAP, CHIP SS 1500 PBK	A....FGH.....
D	771	87-020-465-080	0E	DIODE,1SS133 (110MA)	ABCDEFGHIH.....
D	773	87-A40-291-080	0E	DIODE,1N4148 (CPT)	.....
IC	771	87-A20-913-010	1D	IC,LA1837NL	ABCDEFGHIH.....
L	771	87-A50-266-010	1A	COIL,FM DET-2N(TOK)	ABCDEFGHIH.....
L	772	87-A90-052-010	1C	FLTR,CFMT-450A(TOK)	.....E.....
L	772	87-A90-053-010	1C	FLTR,PCFMT-060(TOK)	AB.....H.....
L	772	87-A90-733-010	1A	FLTR,PCFAZH-450 (TOK)	.....
L	772	87-A91-110-010	1B	FLTR,PCFJZH-450 (TOK)	..CD.FG.....
L	781	87-005-847-080	0E	COIL,2.2UH(CECS)	.....FG.....
L	792	87-A50-027-010	1A	COIL,1 POLE MPX(TOK)	.....FG.....
L	791	87-A50-027-010	1A	COIL,1 POLE MPX(TOK)	.....FG.....
X	771	87-030-354-010	1A	VIB,CF BFU 450C	.....E.....
C	859	87-012-286-080	0E	CAP, U 0.01-25	.....F.....
C	865	87-010-196-080	0E	CHIP CAPACITOR,0.1-25	.....F.....
C	866	87-010-405-080	0E	CAP, ELECT 10-50V	.....F.....
C	864	87-010-405-080	0E	CAP, ELECT 10-50V	.....F.....
C	869	87-012-180-080	0E	C-CAP,U 22P-50 CH	.....F.....
C	868	87-012-184-080	0E	C-CAP,U 33P-50 CH	.....F.....
C	862	87-012-199-080	0E	CAP 220P	.....F.....
C	861	87-012-199-080	0E	CAP 220P	.....F.....
C	863	87-012-270-080	0E	CAP, U 470P-50	.....F.....
C	867	87-012-286-080	0E	CAP, U 0.01-25	.....F.....
IC	851	87-A20-440-040	1H	C-IC,BU1920FS	.....F.....
L	851	87-005-847-080	0E	COIL,2.2UH(CECS)	.....F.....
Q	853	87-A30-076-080	0E	C-TR,2SC3052F	.....F.....
X	851	87-A70-091-010	1B	VIB,XTAL 4.332MHZ CSA-309	.....F.....
C	808	87-012-286-080	0E	CAP, U 0.01-25	ABCDEFGHIH.....
C	809	87-012-286-080	0E	CAP, U 0.01-25	ABCDEFGHIH.....
C	801	87-012-286-080	0E	CAP, U 0.01-25	ABCDEFGHIH.....
C	803	87-012-286-080	0E	CAP, U 0.01-25	ABCDEFGHIH.....
C	807	87-012-286-080	0E	CAP, U 0.01-25	ABCDEFGHIH.....
C	804	87-012-286-080	0E	CAP, U 0.01-25	ABCDEFGHIH.....
C	802	87-012-286-080	0E	CAP, U 0.01-25	ABCDEFGHIH.....
C	810	87-012-286-080	0E	CAP, U 0.01-25	ABCDEFGHIH.....
C	820	87-010-260-080	0E	CAP, ELECT 47-25V	ABCDEFGHIH.....
C	893	87-012-286-080	0E	CAP, U 0.01-25	ABCDEFGHIH.....
C	894	87-012-286-080	0E	CAP, U 0.01-25	ABCDEFGHIH.....
C	942	87-012-168-080	0E	C-CAP,U 6P-50 CH	.....FG.....
C	942	87-012-172-080	0E	CAPACITOR CHIP U 10P CH	.....
C	941	87-012-180-080	0E	C-CAP,U 22P-50 CH	.....E.....
C	944	87-014-049-080	0E	CAP,PP 470P-100 J	.....
C	944	87-014-051-080	0E	CAPACITOR (PP), 560P	.....E.....
C	949	87-A10-039-080	0E	C-CAP,U 470P-50 J CH	.....FG.....
C	958	87-010-197-080	0E	CAP, CHIP 0.01 DM	.....FG.....
C	956	87-010-263-080	0E	CAP, ELECT 100-10V	.....E.....
C	959	87-010-831-080	0E	C-CAP,U,0.1-16F	.....EFG.....
C	954	87-012-358-080	0E	C-CAP,S 0.47-10 F Z	.....E.....
C	950	87-014-073-080	0E	CAP,PP 4700P-100 J	.....E.....
C	963	87-010-196-080	0E	CHIP CAPACITOR,0.1-25	ABCDEFGHIH.....
C	962	87-010-401-080	0E	CAP, ELECT 1-50V	.....FG.....
C	964	87-012-170-080	0E	C-CAP,U 8P-50 CH	A.....
C	961	87-012-174-080	0E	CAP CHIP CERA SS 12P CHJ	..BCD...H.....
C	960	87-012-350-080	0E	C-CAP,1-25 F	.....E.....
CF	802	82-785-747-010	1A	CF MS2 GHY R	.....FG.....
CF	802	87-008-261-010	1A	FILTER, SFE10.7MA5-A	ABCDE..H.....
CF	801	87-008-261-010	1A	FILTER, SFE10.7MA5-A	ABCDE..H.....
CF	801	87-008-423-010	1A	CERAMIC FILTER, SFE10.7	.....FG.....
D	944	87-020-465-080	0E	DIODE,1SS133 (110MA)	.....EFG.....
D	942	87-A40-270-080	0E	C-DIODE,MC2838	.....FG.....
D	981	87-A40-618-080	1B	VARI-CAP,SVC 348(S/T)	.....E.....
FFE	801	A8-6ZA-190-030	0E	6ZA-1 FEUNM	.....
FFE	801	A8-6ZA-191-130		6ZA-1 FEENM	.....FG.....
FFE	801	A8-6ZA-192-030	2Y	6ZA-1 FEJNM	..B.....
FFE	801	A8-6ZA-193-130		6ZA-1 FEVNM	.....
FFE	801	A8-6ZA-199-170		6ZA-1 FEENC	.....
FFE	801	A8-6ZA-19A-070		6ZA-1 FEJNC	.....
FFE	801	A8-6ZA-19D-070	1H	6ZA-1 YFEJNC	A.....H.....
FFE	801	A8-8ZA-190-030		8ZA-1 FEUNM	..C.E.....
FFE	801	A8-8ZA-192-070		8ZA-1 FEUNC	.....
FFE	801	A8-8ZA-193-070	1E	8ZA-1 YFEUNC	.....D.....
J	801	87-033-241-010	1B	TERMINAL,ANT AJ-2039	.....FG.....
J	801	87-A60-702-010	1B	TERMINAL,ANT 4P CJ-9036	ABCD...H.....
J	801	87-A60-703-010	1A	TERMINAL,ANT 3P CJ-9037	.....E.....
J	940	81-754-629-010	0E	CONNECTOR, 2P	.....E.....
L	832	87-005-847-080	0E	COIL,2.2UH(CECS)	.....FG.....
L	943	87-005-372-080	0E	COIL S 1MHM	.....
L	942	87-A50-019-010	0E	COIL,OSC LW(COI)	.....FG.....
L	941	87-A50-020-010	0E	COIL,ANT LW(COI)	.....FG.....

# ELECTRICAL MAIN PARTS LIST - 3/3 (TUNER: ZZA-1)

L	941	87-A50-022-010	0E	COIL,ANT SW(COI)	.....E.....
L	944	87-A50-159-010	0E	COIL,10MH K C2B	.....E.....
L	942	87-A50-173-010	0E	COIL,OSC SW-N(COI)	.....E.....
L	943	87-A50-432-010	0E	COIL,1MH K CW	.....E.....
L	981	87-A50-430-010	0E	COIL,ANT MW(3BSW)	.....E.....
L	982	87-A50-431-010	0E	COIL,OSC MW(3BSW)	.....E.....
L	981	87-NF4-650-010	1D	COIL,AM PACK 4N(TOK)	A.....
L	981	87-NF4-651-010	1C	COIL,AM PACK2N(TOM)	.....
L	981	88-NF8-625-110	1D	COIL,AM PACK3N(TOK)	.....
L	981	8Z-ZA1-664-010	1D	COIL,AM PACK 4(TOK)	.BCD...H.....
L	981	8Z-ZA1-665-010	1E	COIL,AM PACK 2(TOK)	.....FG.....
Q	712	87-A30-072-080	0E	C-TR,RT1P 144C	ABCD.FGH.....
Q	805	89-327-143-080	0E	TR,2SC2714 (0.1W)	ABCDEFGH.....
Q	942	87-A30-075-080	0E	C-TR,2SA1235F	.....E.....
Q	943	87-A30-075-080	0E	C-TR,2SA1235F	.....E.....
Q	944	87-A30-076-080	0E	C-TR,2SC3052F	.....E.....
Q	945	87-A30-076-080	0E	C-TR,2SC3052F	.....E.....
Q	949	87-A30-076-080	0E	C-TR,2SC3052F	.....E.....
Q	948	87-A30-086-070	0E	C-TR,CSD1306E	.....EFG.....
Q	947	89-503-602-080	1A	C-FET,2SK360E	.....E.....
Q	947	89-505-434-540	0E	C-FET,2SK543(4/5)	.....FG.....
Q	951	87-A30-074-080	0E	C-TR,RT1P 141C	.....EFG.....
TC	942	87-011-164-010	0E	CAPACITOR,TRIMMER 30P	.....FG.....
TC	941	87-011-173-010	1A	CERAMIC TRIMMER 20P	.....
TC	941	87-011-220-080	1A	TRIMMER CAP 20P VTC	.....E.....
TC	943	87-011-221-080	1A	CAP, TRIMMER 30P	.....E.....

# MECHANICAL PARTS LIST - 1/2

NOTE: The characters in the suffix column indicate the part usage.

778HS .....XX.....A.  
 777G .....XX.....B.  
 777EZ .....XX.....C.

REF.NO	PARTS NO.	KANRI NO.	DESCRIPTION	SUFFIX
	82-NE6-067-010		BADGE,AIWA 30N	ABC.....
	86-NF6-007-010		WINDOW, TOP	ABC.....
	86-NF6-101-110		WINDOW, TOP UL	.....
	8Z-NB8-011-210		PANEL, LEFT V-2	ABC.....
	8Z-NB8-014-010		PANEL, TOP V-2 R	ABC.....
	8Z-NF7-001-010		CABI, FR U	.....
	8Z-NF7-002-110		CABI, REAR USTM	.....
	8Z-NF7-003-010		BOX, CASS 1	ABC.....
	8Z-NF7-004-010		BOX, CASS 2	ABC.....
	8Z-NF7-005-010		PANEL, TRAY	ABC.....
	8Z-NF7-006-010		PANEL, CD	ABC.....
	8Z-NF7-007-010		REFLECTOR, CD	ABC.....
	8Z-NF7-008-010		WINDOW, DISPLAY U	.....
	8Z-NF7-009-010		WINDOW, CASS 1	ABC.....
	8Z-NF7-010-010		WINDOW, CASS 2	ABC.....
	8Z-NF7-014-010		RING, VOL	ABC.....
	8Z-NF7-015-010		RING, JOG	ABC.....
	8Z-NF7-016-010		REFLECTOR, JOG	ABC.....
	8Z-NF7-041-010		CABI, FR HR	.....
	8Z-NF7-042-010		CABI, FR LH	.....
	8Z-NF7-043-010		CABI, FR EZ	A.....
	8Z-NF7-044-010		CABI, FR K	.B.....
	8Z-NF7-045-010		CABI, FR U2	.....
	8Z-NF7-047-010		CABI, FR EZ3	.C.....
	8Z-NF7-051-110		WINDOW, DISPLAY H	.....
	8Z-NF7-052-010		WINDOW, DISPLAY EZ	A.....
	8Z-NF7-053-010		WINDOW, DISPLAY K	.B.....
	8Z-NF7-054-010		WINDOW, DISPLAY U2	.....
	8Z-NF7-056-110		WINDOW, DISPLAY LHK	.....
	8Z-NF7-057-010		WINDOW, DISPLAY HR	.....
	8Z-NF7-059-010		WINDOW, DISPLAY EZ3	.C.....
	8Z-NF7-061-110		CABI, REAR HRJSTM	.....
	8Z-NF7-062-110		CABI, REAR LHSTM	.....
	8Z-NF7-063-110		CABI, REAR EZSTNE	.....
	8Z-NF7-064-110		CABI, REAR KSTNE	.....
	8Z-NF7-066-110		CABI, REAR U2STM	.....
	8Z-NF7-067-110		CABI, REAR HRST	.....
	8Z-NF7-068-110		CABI, REAR LHST	.....
	8Z-NF7-069-110		CABI, REAR EZ2STNE	.....
	8Z-NF7-070-110		CABI, REAR LHJSTKM	.....
	8Z-NF7-071-110		CABI, REAR EZSTM	.....
	8Z-NF7-072-110		CABI, REAR HRSTM	.....
	8Z-NF7-073-110		CABI, REAR UST	.....
	8Z-NF7-074-110		CABI, REAR HASTM	.....
	8Z-NF7-077-110		CABI, REAR EZ3STM	.C.....
	8Z-NF7-078-110		CABI, REAR HSSTM	A.....
	8Z-NF7-079-010		CABI, REAR GSTM	.B.....
	8Z-NF9-043-010		PANEL, RIGHT S V-2	ABC.....
	8Z-NF7-011-010		KNOB, RTRY VOL	ABC.....
	8Z-NF7-012-010		KNOB, RTRY JOG	ABC.....
	8Z-NF7-013-010		KNOB, RTRY MIC	.B.....
	8Z-NF7-018-010		KEY, POWER	ABC.....
	8Z-NF7-019-010		KEY, CD	ABC.....
	8Z-NF7-020-010		KEY, DEMO U	.B.....
	8Z-NF7-021-010		KEY, KARAOKE U	.....
	8Z-NF7-022-010		KEY, FUNCTION	ABC.....
	8Z-NF7-023-010		KEY, ASSY PLAY	ABC.....
	8Z-NF7-026-010		PANEL, PLAY	ABC.....
	8Z-NF7-027-110		KEY, NSP	ABC.....
	8Z-NF7-028-010		KEY, JOG U	.B.....
	8Z-NF7-029-010		KEY, PAD	ABC.....
	8Z-NF7-030-010		KEY, RDS	A.....
	8Z-NF7-031-010		KEY, DEMO H	A.C.....
	8Z-NF7-032-010		KEY, KARAOKE E	ABC.....
	8Z-NF7-033-010		KEY, JOG H	A.C.....
	8Z-NF7-036-010		REFLECTOR, ECO	ABC.....
	81-532-080-010		LABEL, CASS. COMPT	A.C.....
	86-NF6-061-010		REFLECTOR, CASS	A.C.....
	87-NF6-616-010		CONN ASSY, 8P RPB	ABC.....
	84-ZG1-245-210		CAP, OPTICAL	ABC.....
	82-NF5-218-010		SPR-T, EJECT 1 (SIN)	ABC.....
	82-NF5-219-010		SPR-T, EJECT 2 (SIN)	ABC.....
	82-NF5-229-010		PLATE, LOCK	ABC.....
	86-NF9-224-010		SPR-C, LOCK	ABC.....
	87-NF4-216-010		HLDR, LOCK 1	ABC.....
	87-NF4-217-110		HLDR, LOCK 2	ABC.....
	87-NF8-220-010		DMPR, 150	ABC.....
	8Z-NB8-215-010		HLDR, PWB M	ABC.....
	8Z-NB8-240-010		COVER, PL	ABC.....
	87-067-641-010		UTT2+3-8(W/O SLOT)BL	ABC.....
	87-067-688-010		BVTT+3-6	ABC.....
	87-067-703-010		TAPPING SCREW, BVT2+3-10	ABC.....
	87-078-191-010		S-SCREW, IT+4-10	ABC.....
	87-721-096-410		QT2+3-10 GLD	ABC.....

# MECHANICAL PARTS LIST - 2/2

		87-721-097-410	QT2+3-12 GLD	ABC.....
		87-723-096-410	QT2+3-10W/O SLOT BL	ABC.....
		87-NF4-224-010	S-SCREW,IT3B+3-8 CU	ABC.....
		85-NF5-617-010	CABLE,FFC 6P-1.25	ABC.....
		85-NF5-618-010	CABLE,FFC 13P-1.25	ABC.....
		87-050-081-110	AC CORD ASSY,G	.B.....
		87-099-811-010	PLUG,ADPTR CONV(K)	.....
		87-A80-105-010	AC CORD ASSY,AZ	.....
		88-915-121-110	FF-CABLE, 15P 1.25	ABC.....
		8Z-NF7-622-110	PT,LH ZNF-7	.....
		8Z-NF7-623-110	PT,HR ZNF-7	.....
		8Z-NF7-625-010	PT,U1 ZNF-7	.....
PT	1	8Z-NF7-621-010	PT,U ZNF-7	.....
PT	1	8Z-NF7-622-110	PT,LH ZNF-7	.....
PT	1	8Z-NF7-623-110	PT,HR ZNF-7	.....
PT	1	8Z-NF7-624-010	PT,EZ ZNF-7	ABC.....
PT	101	8Z-NF7-621-010	PT,U ZNF-7	.....
W	1	87-085-185-010	BUSHING, AC CORD (E)	ABC.....
W	1	87-085-189-010	BUSHING, CORD (U)	.....
W	101	87-050-079-010	AC-CORD ASSY,E	.C.....
W	101	87-A80-006-010	AC CORD ASSY HS	A.....
W	101	87-A80-110-010	AC CORD ASSY,U SPT-2W	.....
		87-010-403-040	CAP,E 3.3-50 SME	.B.....
		87-NF5-203-010	GUIDE,FL	ABC.....
		87-NF6-205-010	GUIDE,LED	ABC.....
		8Z-NF7-201-010	GUIDE,FUNCTION	ABC.....
		8Z-NF7-202-010	GUIDE,PLAY	ABC.....
		8Z-NF7-203-010	GUIDE,CD	ABC.....
		87-010-179-080	CAP,CHIP S B1200P	.B.....
		87-067-579-010	TAPPING SCREW, BVT2+3-8	ABC.....
		87-067-689-010	TAPPING SCREW, BVTT+3-8	.....
		8Z-NF8-669-110	CONN ASSY,9P VH	.B.....
WH	1	87-A90-510-010	HLDR,WIRE 2.5-9P	ABC.....
		87-067-703-010	TAPPING SCREW, BVT2+3-10	ABC.....



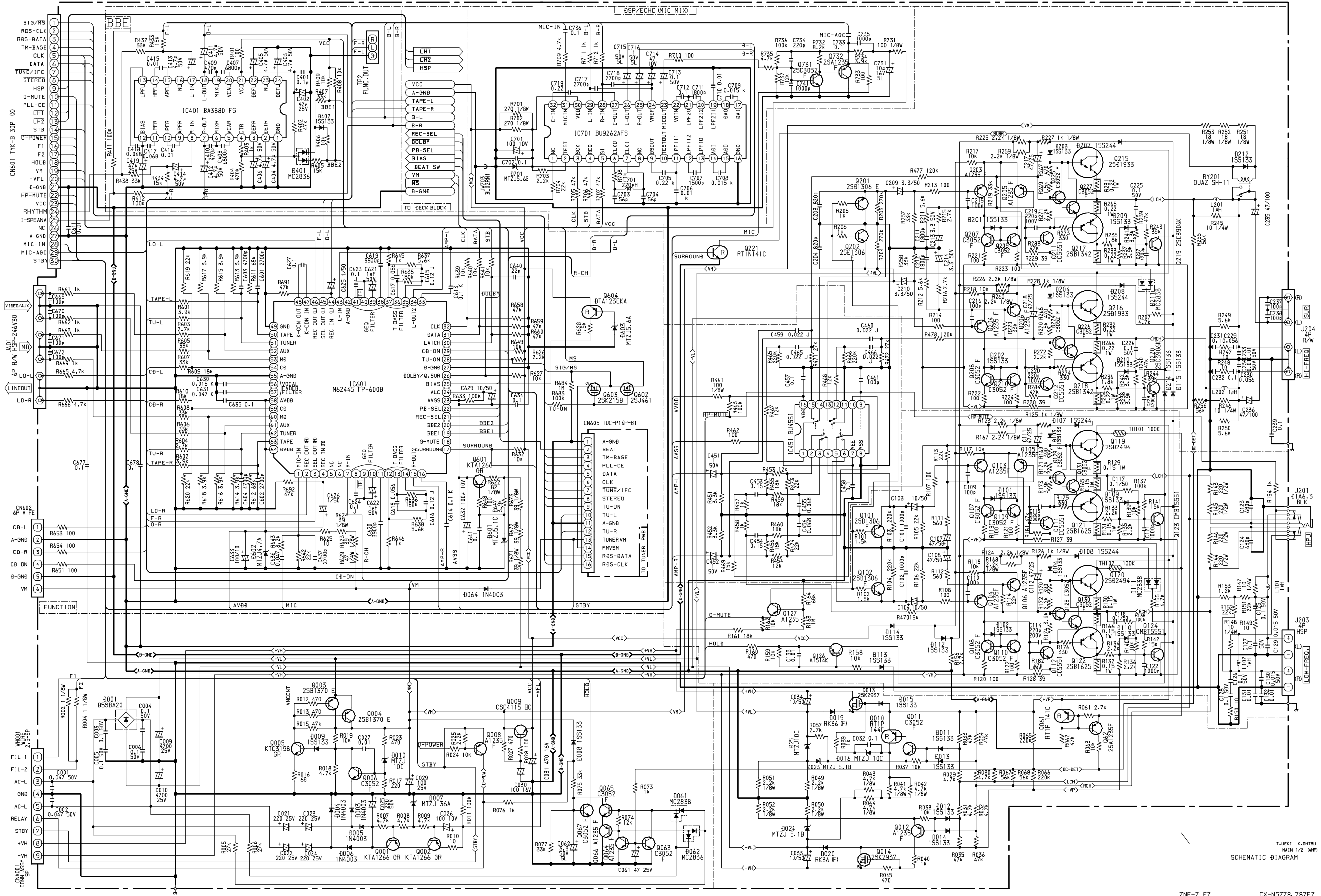
# ACCESSORIES / PACKAGE LIST - 1/1

NOTE: The characters in the suffix column indicate the part usage.

778HS .....XX.....A.....  
 777G .....XX.....B.....  
 777EZ .....XX.....C.....

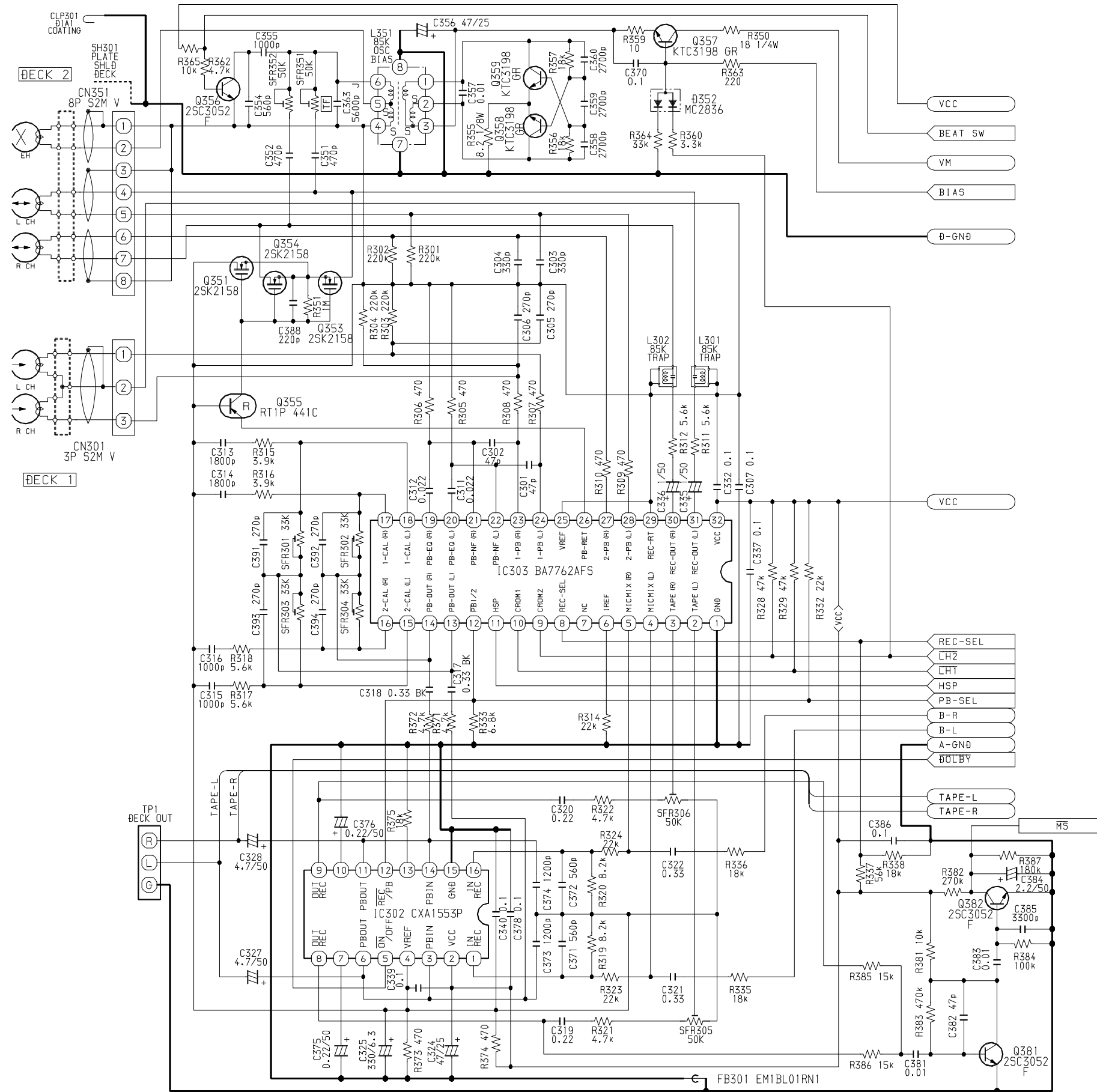
REF.NO	PARTS NO.	KANRI NO.	DESCRIPTION	SUFFIX
	8Z-NF7-901-010		IB,H(ECA)M	.....
	8Z-NF7-902-110		IB,LH(ESP)M	.....
	8Z-NF7-903-110		IB,U(ESF)M A777	.....
	8Z-NF7-905-010		IB,K(E)E	.....
	8Z-NF7-906-010		IB,EZ(9L)E	.....
	8Z-NF7-911-010		IB,H(ECA)I	.....
	8Z-NF7-913-110		IB,U(ESF)M A767	.....
	8Z-NF7-915-010		IB,G(E)M	.B.....
	8Z-NF7-916-010		IB,EZ(9L)M	A.....
	8Z-NF7-926-010		IB,EZ(9L)M- 777 NO-RDS	.C.....
	8Z-NF7-912-010		IB,LH(P)KIT	.....
	8Z-NF7-922-010		IB,HA(KIT)M	.....
	87-043-106-010		WIRE, FM ANT (Z)	ABC.....
	87-043-115-010		ANT,FEEDER FM	.....
	87-A90-030-010		ANT,LOOP AM-NC C	ABC.....
	87-A90-054-010		ANT,LOOP AM-CON C	.....
	87-A91-017-010		PLUG,CONVERSION JT-0476	.....
	8Z-NF8-701-110		RC UNIT,RC-ZAS01	ABC.....
	8Z-NF8-702-010		RC UNIT,RC-ZAS01	.....

SCHEMATIC DIAGRAM - 1 (MAIN 1/2)

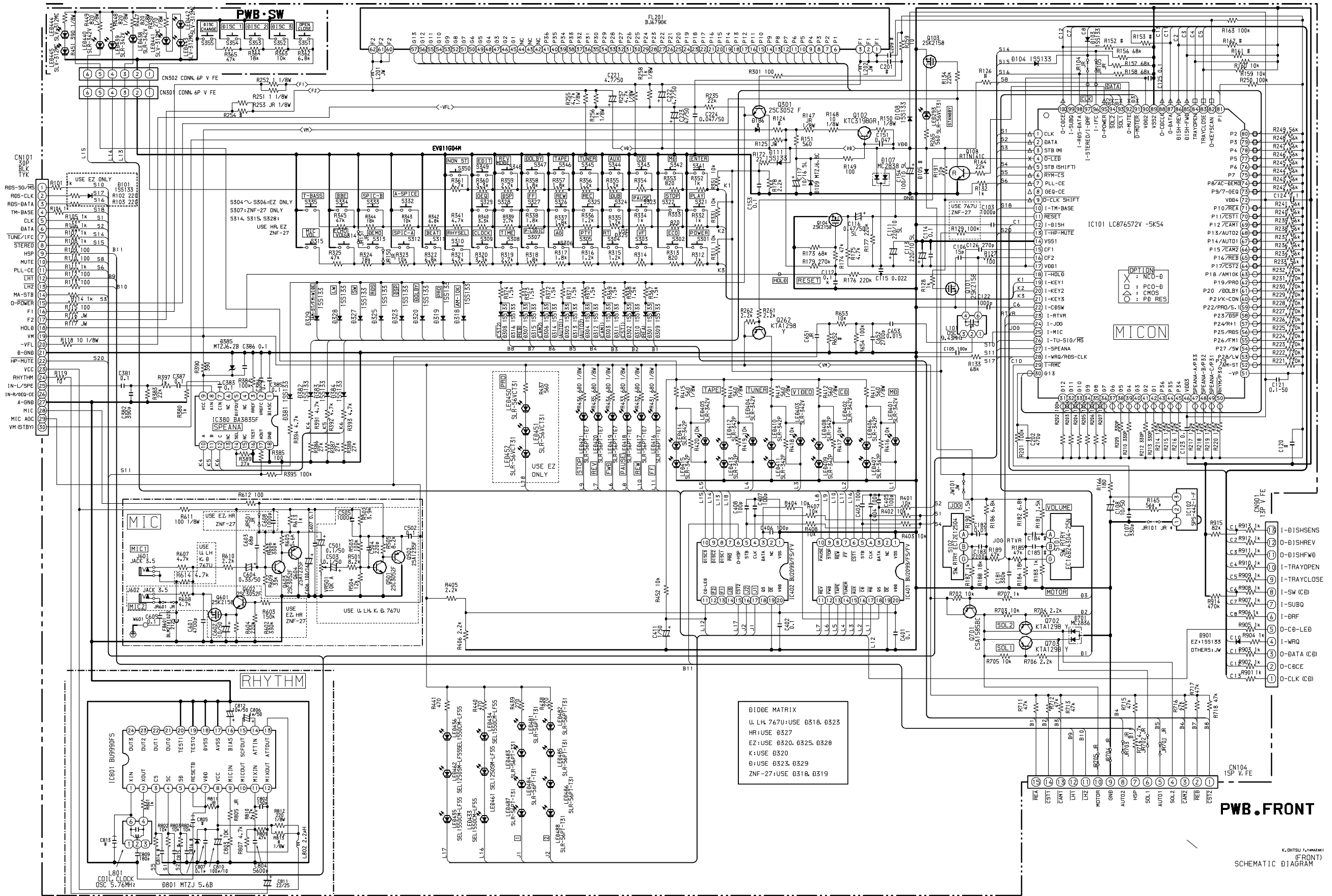


T.UEKI K.OTSU  
MAIN 1/2 (W/P)  
SCHEMATIC DIAGRAM

SCHEMATIC DIAGRAM – 2 (MAIN 2/2)



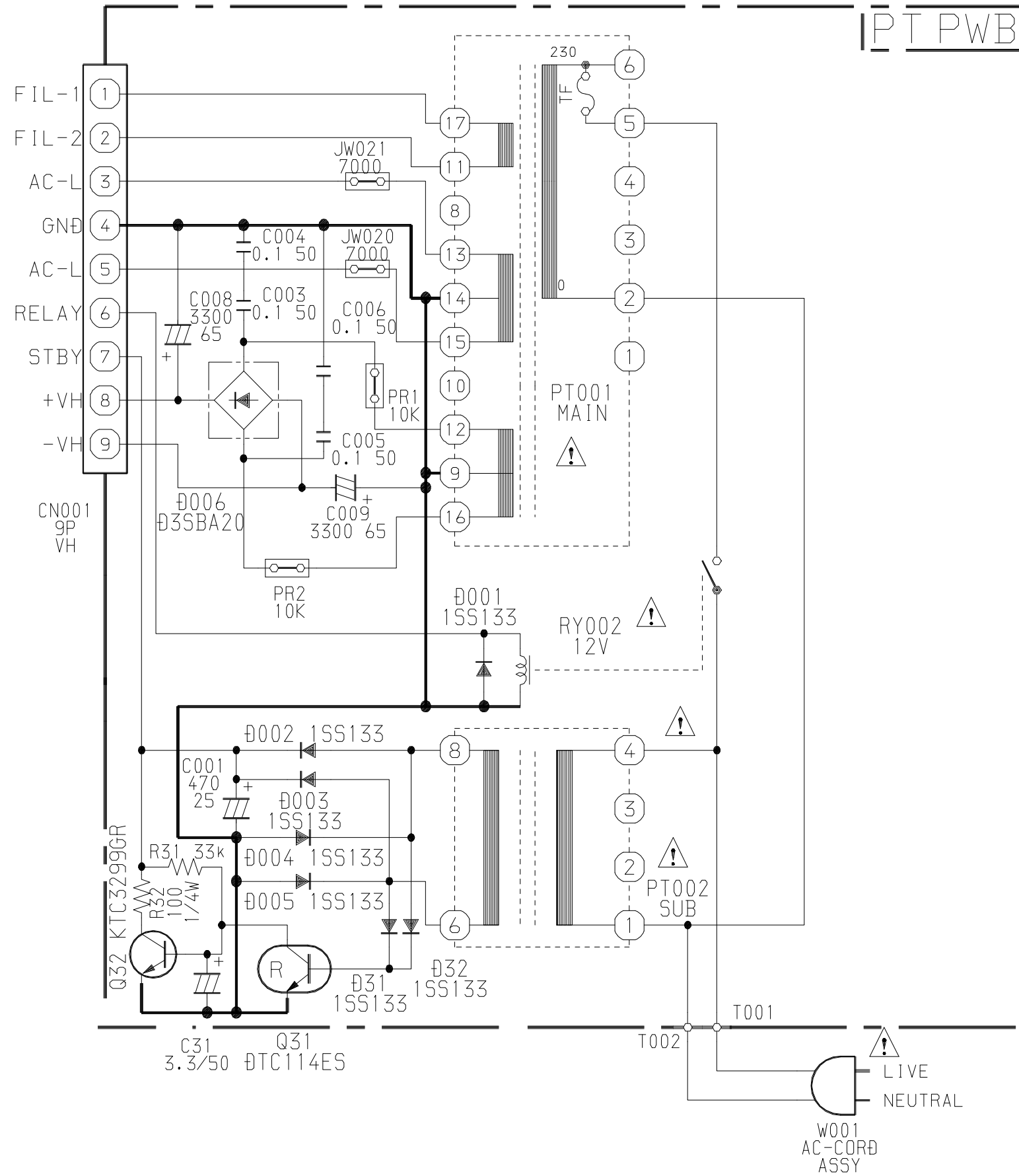
SCHEMATIC DIAGRAM - 3 (FRONT)



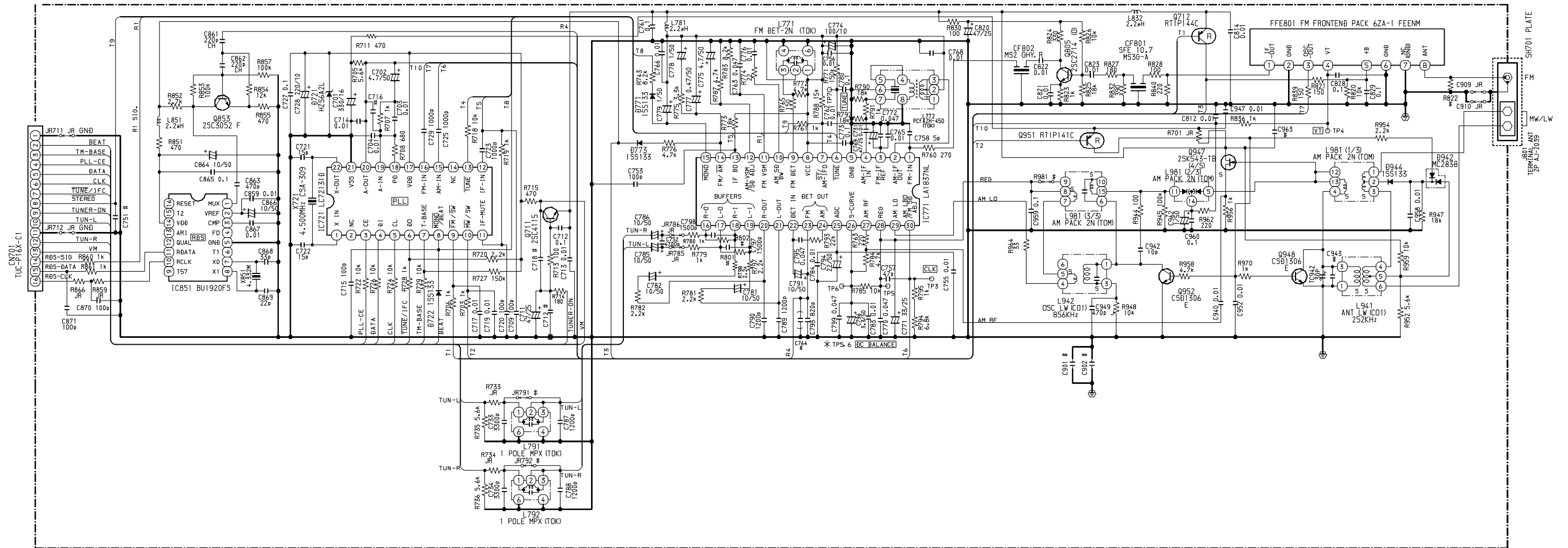
PWB.FRONT

K. OHTSU T. YAMAZAKI  
SCHEMATIC DIAGRAM

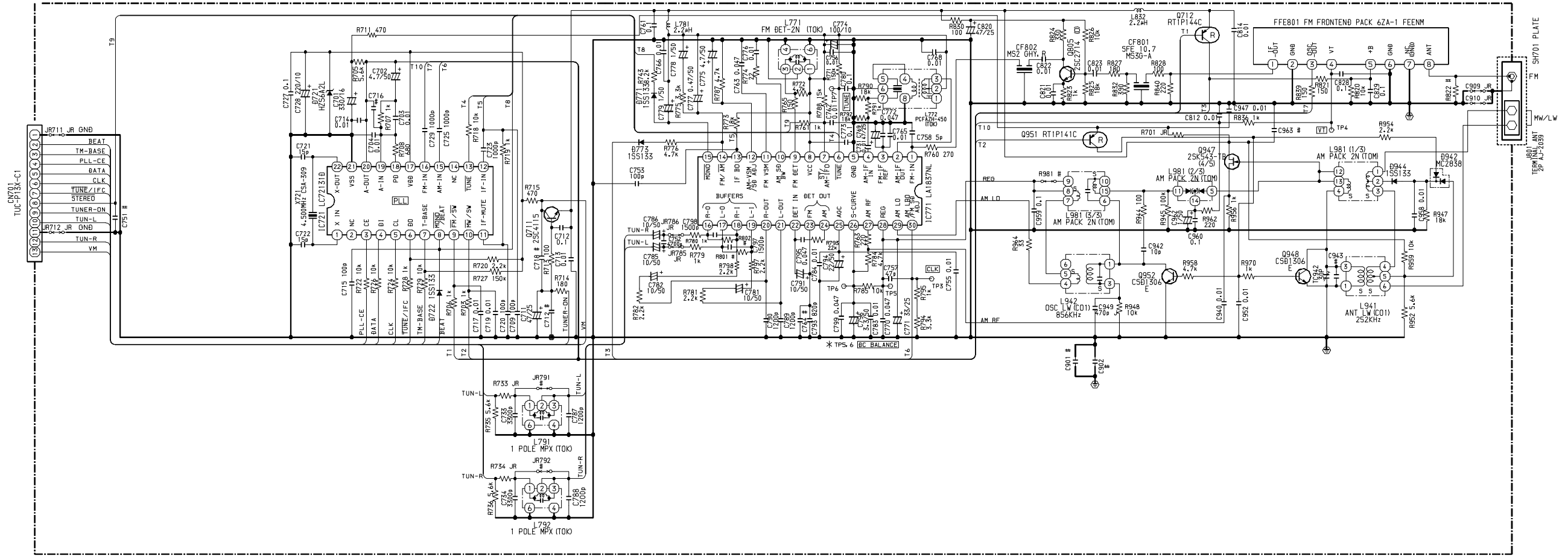
SCHEMATIC DIAGRAM - 4 (PT)



SCHEMATIC DIAGRAM – 5 (TUNER: 778HS)



SCHEMATIC DIAGRAM - 6 (TUNER:777EZ, 777G)



サービス技術ニュース	
番号	連絡内容
G- -	
G- -	
G- -	

**アイワ株式会社**  
**AIWA CO.,LTD.**

9420208

Tokyo Japan