

aiwa



NSX-S777

NSX-S779

COMPACT DISC STEREO
CASSETTE RECEIVER

• TYPE: HA(S777), LH(S779)

SIMPLE MANUAL

• Replace this Service Manual with "Revision Publishing" when it is issued.

S/M Code No. 09-993-403-5T3

MANUAL
SERVICE

ELECTRICAL MAIN PARTS LIST - 1/9

NOTE: The characters in the suffix column indicate the part usage.

REF.NO	PARTS NO.	NO.	DESCRIPTION	SUFFIX
777HA	XX	D
779LH	XX	F
		KANRI		
C	505	87-010-178-080	CHIP CAP 1000P	...D
C	502	87-010-196-080	CHIP CAPACITOR,0.1-25	...D
C	501	87-010-544-040	CAP,E 0.1-50 SME	...D
C	503	87-010-544-040	CAP,E 0.1-50 SME	...D
C	504	87-012-156-080	C-CAP,S 220P-50 CH	...D
C	606	87-010-112-040	CAP,E 100-16	...CD
C	608	87-010-178-080	CHIP CAP 1000P	...C
C	601	87-010-186-080	CAP,CHIP 4700P	...CD
C	607	87-010-196-080	CHIP CAPACITOR,0.1-25	...CD
C	605	87-010-196-080	CHIP CAPACITOR,0.1-25	...CD
C	603	87-010-320-080	CHIP CAP 68P	...CD
C	602	87-010-405-040	CAP,E 10-50	...C
C	604	87-010-546-040	CAP,E 0.33-50	...CD
C	621	87-010-178-080	CHIP CAP 1000P	...C
C	652	87-010-183-080	C-CAP,S 2700P-50 B	...CD
C	653	87-010-213-080	C-CAP,S 0.015-50 B	...CD
FB	601	87-A50-190-080	C-COIL,S BLM21A102S	...CD
J	601	87-A60-651-010	JACK,3.5MONO	...CD
U	602	87-A60-651-010	JACK,3.5MONO	...C
Q	502	87-A30-075-080	C-TR,2SA1235F	...D
Q	501	87-A30-076-080	C-TR,2SC3052F	...D
Q	604	87-A30-075-080	C-TR,2SA1235F	...CD
Q	603	87-A30-076-080	C-TR,2SC3052F	...CD
Q	602	87-A30-076-080	C-TR,2SC3052F	...C
Q	601	87-A30-087-080	C-FET,2SK2158	...C
VR	501	86-NFA-607-010	VR,RTRY 10K15AX1 1 V XV0121PVN	...D
C	1	8Z-NF8-660-010	PT,SUB ZNF-8(D)	ABCDE
C	8	87-016-520-000	CAP,E 470-25 SME	ABCDE
C	9	87-016-520-000	CAP,E 3300-65 M SMG	ABCDE
C	2	87-018-209-080	CAP,E 3300-65 M SMG	ABCDE
C	4	87-018-209-080	CAP,CER 0.1-50V	ABC.E
C	6	87-018-209-080	CAP,CER 0.1-50V	ABCDE
C	3	87-018-209-080	CAP,CER 0.1-50V	ABCDE
C	5	87-018-209-080	CAP,CER 0.1-50V	ABCDE
C	31	87-010-403-040	CAP,E 3.3-50 SME	ABCDE
CN	1	87-A60-851-010	CONN,9P V VH	ABCDE
D	1	87-020-465-080	DIODE,1SS133 (110MA)	ABCDE
D	5	87-020-465-080	DIODE,1SS133 (110MA)	ABCDE
D	2	87-020-465-080	DIODE,1SS133 (110MA)	ABCDE
D	4	87-020-465-080	DIODE,1SS133 (110MA)	ABCDE
D	3	87-020-465-080	DIODE,1SS133 (110MA)	ABCDE
D	6	87-A40-547-090	DIODE,D5SBA20	...D
D	6	87-A40-548-090	DIODE,D3SBA20	ABC.E
D	31	87-020-465-080	DIODE,1SS133 (110MA)	ABCDE
D	32	87-020-465-080	DIODE,1SS133 (110MA)	ABCDE
JW	21	87-026-682-080	PROTECTOR,10A 60V491	...D
JW	20	87-026-682-080	PROTECTOR,10A 60V491	...D
JW	20	87-A90-195-080	PROTECTOR 7A 125V 49	ABC.E
JW	21	87-A90-195-080	PROTECTOR 7A 125V 49	ABC.E
PR	2	87-026-682-080	PROTECTOR,10A 60V491	ABCDE
PR	1	87-026-682-080	PROTECTOR,10A 60V491	ABCDE
PR	1	87-026-691-080	FUSE,10A 125V 251
PR	2	87-026-691-080	FUSE,10A 125V 251
PR	3	87-A91-276-080	FUSE,125MA 125V F 251
PT	2	8Z-NF8-661-010	PT,SUB ZNF-8(U)
PT	2	8Z-NF8-662-010	PT,SUB ZNF-8(E)	ABC.E
PT	2	8Z-NF8-663-010	PT,SUB ZNF-8(H)	...D
Q	31	87-026-245-080	TR,DTC114ES	ABCDE
Q	32	87-A30-198-080	TR,KTC3199GR	ABCDE
RY	2	87-A90-976-010	RELAY,AC12V SDT-S-112LMR	ABC.E
RY	1	87-A91-281-010	RELAY,AC DC12V OSA-SS-212DM5	...D
S	1	87-A90-165-010	SW,SL 1-2-3 SWS2301	...D
T	1	87-A60-317-010	TERMINAL, 1P MSC	ABCDE
T	2	87-A60-317-010	TERMINAL, 1P MSC	ABCDE
		87-NF5-203-010	GUIDE,FL	...CD
		87-NF6-205-010	GUIDE,LED	...CD
		8Z-NF7-201-010	GUIDE,FUNCTION	...CD
		8Z-NF7-202-010	GUIDE,PLAY	...CD
		8Z-NF7-203-010	GUIDE,CD	...CD
C	103	87-010-178-080	CHIP CAP 1000P	...CD
C	106	87-010-312-080	C-CAP,S 15P-50 CH	...CD
C	105	87-010-322-080	C-CAP,S 100P-50 CH	...CD
C	108	87-010-405-040	CAP,E 10-50	...CD
C	107	87-012-157-080	C-CAP,S 330P-50 CH	...CD
C	114	87-010-196-080	CHIP CAPACITOR,0.1-25	...CD
C	115	87-010-198-080	CAP,CHIP 0.022	...CD
C	116	87-010-493-040	CAP,E 0.47-50 GAS	...CD
C	117	87-010-498-040	CAP,E 10-16 GAS	...CD
C	112	87-016-081-080	C-CAP,S 0.1-16 RK	...CD
C	113	87-A11-242-040	CAP,E 220-10 M 5L SRM	...CD
C	111	87-A11-242-040	CAP,E 220-10 M 5L SRM	...CD
C	122	87-010-178-080	CHIP CAP 1000P	...CD
C	125	87-010-196-080	CHIP CAPACITOR,0.1-25	...CD
C	123	87-010-196-080	CHIP CAPACITOR,0.1-25	...CD

ELECTRICAL MAIN PARTS LIST - 2/9

C	124	87-010-196-080	CHIP CAPACITOR,0.1-25	..CD
CC	126	87-012-145-080	CAP,CHIP S 270P CH	..CD
CC	121	87-012-368-080	C-CAP,S 0.1-50 F	..CD
CC	151	87-010-194-080	CAP,CHIP 0.047	..CD
CC	153	87-010-196-080	CHIP CAPACITOR,0.1-25	..CD
CC	154	87-010-264-040	CAP,E 100-10 5L	..CD
CC	183	87-010-182-080	C-CAP,S 2200P-50 B	..CD
CC	182	87-010-197-080	CAP,CHIP 0.01 DM	..CD
CC	181	87-012-157-080	C-CAP,S 330P-50 CH	..CD
CC	202	87-012-140-080	CAP 470P	..CD
CC	221	87-010-404-040	CAP,E 4.7-50 SME	..CD
CC	222	87-010-404-040	CAP,E 4.7-50 SME	..CD
CC	223	87-010-408-040	CAP,E 47-50 SME	..CD
CC	224	87-012-369-080	C-CAP,S 0.047-50F	..CD
CC	381	87-010-196-080	CHIP CAPACITOR,0.1-25	..CD
CC	386	87-010-196-080	CHIP CAPACITOR,0.1-25	..CD
CC	387	87-010-196-080	CHIP CAPACITOR,0.1-25	..CD
CC	383	87-010-196-080	CHIP CAPACITOR,0.1-25	..CD
CC	385	87-010-196-080	CHIP CAPACITOR,0.1-25	..CD
CC	384	87-010-196-080	CHIP CAPACITOR,0.1-25	..CD
CC	382	87-012-158-080	C-CAP,S 390P-50 CH	..CD
CC	401	87-010-196-080	CHIP CAPACITOR,0.1-25	..CD
CC	402	87-010-196-080	CHIP CAPACITOR,0.1-25	..CD
CC	408	87-010-322-080	C-CAP,S 100P-50 CH	..CD
CC	403	87-010-322-080	C-CAP,S 100P-50 CH	..CD
CC	407	87-010-322-080	C-CAP,S 100P-50 CH	..CD
CC	406	87-010-322-080	C-CAP,S 100P-50 CH	..CD
CC	405	87-010-322-080	C-CAP,S 100P-50 CH	..CD
CC	404	87-010-322-080	C-CAP,S 100P-50 CH	..CD
C	411	87-010-401-040	CAP,E 1-50 SME	..CD
CN	101	87-099-720-010	CONN,30P TYK-B(P)	..CD
CN	104	87-A60-140-010	CONN,15P V FE	..CD
CN	301	87-A60-131-010	CONN,6P V FE	..CD
CN	302	87-A60-131-010	CONN,6P V FE	..CD
CN	901	87-A60-138-010	CONN,13P V FE	..CD
D	103	87-020-465-080	DIODE,1SS133 (110MA)	..CD
D	101	87-020-465-080	DIODE,1SS133 (110MA)	..C
D	104	87-020-465-080	DIODE,1SS133 (110MA)	..CD
D	108	87-020-465-080	DIODE,1SS133 (110MA)	..CD
D	107	87-A40-270-080	C-DIODE,MC2838	..CD
D	109	87-A40-509-080	ZENER,MTZJ6.8C	..CD
D	111	87-020-465-080	DIODE,1SS133 (110MA)	..CD
D	305	87-020-465-080	DIODE,1SS133 (110MA)	..CD
D	306	87-020-465-080	DIODE,1SS133 (110MA)	..CD
D	307	87-020-465-080	DIODE,1SS133 (110MA)	..CD
D	303	87-020-465-080	DIODE,1SS133 (110MA)	..CD
D	308	87-020-465-080	DIODE,1SS133 (110MA)	..CD
D	301	87-020-465-080	DIODE,1SS133 (110MA)	..CD
D	304	87-020-465-080	DIODE,1SS133 (110MA)	..CD
D	302	87-020-465-080	DIODE,1SS133 (110MA)	..CD
D	309	87-020-465-080	DIODE,1SS133 (110MA)	..CD
D	312	87-020-465-080	DIODE,1SS133 (110MA)	..CD
D	315	87-020-465-080	DIODE,1SS133 (110MA)	..CD
D	311	87-020-465-080	DIODE,1SS133 (110MA)	..CD
D	316	87-020-465-080	DIODE,1SS133 (110MA)	..CD
D	313	87-020-465-080	DIODE,1SS133 (110MA)	..CD
D	310	87-020-465-080	DIODE,1SS133 (110MA)	..CD
D	314	87-020-465-080	DIODE,1SS133 (110MA)	..CD
D	318	87-020-465-080	DIODE,1SS133 (110MA)	..D
D	329	87-020-465-080	DIODE,1SS133 (110MA)	..CD
D	328	87-020-465-080	DIODE,1SS133 (110MA)	..C
D	320	87-020-465-080	DIODE,1SS133 (110MA)	..C
D	325	87-020-465-080	DIODE,1SS133 (110MA)	..C
D	323	87-020-465-080	DIODE,1SS133 (110MA)	..CD
D	327	87-020-465-080	DIODE,1SS133 (110MA)	..CD
D	385	87-017-932-080	ZENER,MTJ6.2B	..CD
D	384	87-020-465-080	DIODE,1SS133 (110MA)	..CD
D	383	87-020-465-080	DIODE,1SS133 (110MA)	..CD
D	382	87-020-465-080	DIODE,1SS133 (110MA)	..CD
D	381	87-020-465-080	DIODE,1SS133 (110MA)	..CD
D	701	87-A40-269-080	C-DIODE,MC2836	..CD
D	901	87-020-465-080	DIODE,1SS133 (110MA)	..C
FL	201	8Z-NF7-610-010	FL,BJ679GK	..CD
IC	102	87-A20-951-010	IC,TSOP1838RF1	..CD
IC	101	8Z-NF7-605-010	C-IC,LC876572W-****	..CD
IC	380	87-A21-023-040	C-IC,BA3835F	..CD
IC	402	87-A21-021-040	C-IC,BU2099FV	..CD
IC	401	87-A21-021-040	C-IC,BU2099FV	..CD
L	101	87-A50-333-010	COIL,OSC 9.43MHZ	..CD
LED	293	87-A40-589-040	LED,SLR-56VCT31 RED	..CD
LED	404	87-A40-317-080	LED,SLR-342VCT31 RED	..CD
LED	401	87-A40-317-080	LED,SLR-342VCT31 RED	..CD
LED	403	87-A40-317-080	LED,SLR-342VCT31 RED	..CD
LED	402	87-A40-317-080	LED,SLR-342VCT31 RED	..CD
LED	405	87-A40-317-080	LED,SLR-342VCT31 RED	..CD
LED	406	87-A40-496-040	LED,SLR-342MCT31 GRN	..CD
LED	407	87-A40-496-040	LED,SLR-342MCT31 GRN	..CD
LED	408	87-A40-496-040	LED,SLR-342MCT31 GRN	..CD
LED	409	87-A40-496-040	LED,SLR-342MCT31 GRN	..CD
LED	410	87-A40-496-040	LED,SLR-342MCT31 GRN	..CD
LED	414	87-A40-496-040	LED,SLR-342MCT31 GRN	..CD
LED	411	87-A40-496-040	LED,SLR-342MCT31 GRN	..CD

ELECTRICAL MAIN PARTS LIST - 3/9

LED	413	87-A40-496-040	LED,SLR-342MCT31 GRN	..CD
LED	412	87-A40-496-040	LED,SLR-342MCT31 GRN	..CD
LED	415	87-A40-496-040	LED,SLR-342MCT31 GRN	..CD
LED	417	87-A40-619-080	LED,SLR-56PT-TE7-W GRN	..CD
LED	416	87-A40-619-080	LED,SLR-56PT-TE7-W GRN	..CD
LED	418	87-A40-619-080	LED,SLR-56PT-TE7-W GRN	..CD
LED	419	87-A40-619-080	LED,SLR-56PT-TE7-W GRN	..CD
LED	420	87-A40-619-080	LED,SLR-56PT-TE7-W GRN	..CD
LED	421	87-A40-619-080	LED,SLR-56PT-TE7-W GRN	..CD
LED	438	87-A40-317-080	LED,SLR-342VCT31 RED	..CD
LED	439	87-A40-317-080	LED,SLR-342VCT31 RED	..CD
LED	433	87-A40-631-010	LED,SEL1550CM-LF55 GRN	..CD
LED	435	87-A40-631-010	LED,SEL1550CM-LF55 GRN	..CD
LED	434	87-A40-631-010	LED,SEL1550CM-LF55 GRN	..CD
LED	436	87-A40-631-010	LED,SEL1550CM-LF55 GRN	..CD
LED	440	87-A40-317-080	LED,SLR-342VCT31 RED	..CD
LED	441	87-A40-637-040	LED,SLV-312MC GRN	..CD
LED	444	87-A40-637-040	LED,SLV-312MC GRN	..CD
LED	443	87-A40-637-040	LED,SLV-312MC GRN	..CD
LED	442	87-A40-637-040	LED,SLV-312MC GRN	..CD
LED	445	87-A40-637-040	LED,SLV-312MC GRN	..CD
LED	462	87-A40-632-010	LED,SEL1250SM-LF55 RED	..CD
LED	461	87-A40-632-010	LED,SEL1250SM-LF55 RED	..CD
LED	486	87-A40-619-040	LED,SLR-56PT-T31-W GRN	..CD
LED	487	87-A40-619-040	LED,SLR-56PT-T31-W GRN	..CD
LED	482	87-A40-619-040	LED,SLR-56PT-T31-W GRN	..CD
LED	488	87-A40-619-040	LED,SLR-56PT-T31-W GRN	..CD
LED	484	87-A40-619-040	LED,SLR-56PT-T31-W GRN	..CD
LED	485	87-A40-619-040	LED,SLR-56PT-T31-W GRN	..CD
LED	483	87-A40-619-040	LED,SLR-56PT-T31-W GRN	..CD
LED	481	87-A40-619-040	LED,SLR-56PT-T31-W GRN	..CD
Q	102	87-026-610-080	TR,KTC3198GR	..CD
Q	108	87-A30-073-080	C-TR,RT1N 141C	..CD
Q	103	87-A30-087-080	C-FET,2SK2158	..CD
Q	104	87-A30-087-080	C-FET,2SK2158	..CD
Q	101	87-A30-087-080	C-FET,2SK2158	..CD
Q	262	87-A30-159-080	C-TR,KTA1298Y	..CD
Q	301	87-A30-076-080	C-TR,2SC3052F	..CD
Q	701	87-A30-200-080	TR,2SA1585SR	..CD
Q	701	87-A30-240-080	TR,CSA1585BC	..CD
Q	704	87-A30-318-080	TR,CSA952K	..CD
Q	705	87-A30-318-080	TR,CSA952K	..CD
R	212	87-012-157-080	C-CAP,S 330P-50 CH	..CD
R	210	87-012-157-080	C-CAP,S 330P-50 CH	..CD
R	213	87-012-157-080	C-CAP,S 330P-50 CH	..CD
S	101	87-A90-471-010	SW,RTRY EC16B24304-25 NON	..CD
S	102	87-A91-018-010	SW,RTRY EC12E12504ENC-30	..CD
S	305	87-A90-095-080	SW,TACT EVQ11G04M	..CD
S	306	87-A90-095-080	SW,TACT EVQ11G04M	..CD
S	302	87-A90-095-080	SW,TACT EVQ11G04M	..CD
S	308	87-A90-095-080	SW,TACT EVQ11G04M	..CD
S	304	87-A90-095-080	SW,TACT EVQ11G04M	..CD
S	303	87-A90-095-080	SW,TACT EVQ11G04M	..CD
S	301	87-A90-095-080	SW,TACT EVQ11G04M	..CD
S	309	87-A90-095-080	SW,TACT EVQ11G04M	..CD
S	312	87-A90-095-080	SW,TACT EVQ11G04M	..CD
S	314	87-A90-095-080	SW,TACT EVQ11G04M	..CD
S	311	87-A90-095-080	SW,TACT EVQ11G04M	..CD
S	313	87-A90-095-080	SW,TACT EVQ11G04M	..CD
S	310	87-A90-095-080	SW,TACT EVQ11G04M	..CD
S	315	87-A90-095-080	SW,TACT EVQ11G04M	..CD
S	325	87-A90-095-080	SW,TACT EVQ11G04M	..CD
S	328	87-A90-095-080	SW,TACT EVQ11G04M	..CD
S	329	87-A90-095-080	SW,TACT EVQ11G04M	..CD
S	323	87-A90-095-080	SW,TACT EVQ11G04M	..CD
S	322	87-A90-095-080	SW,TACT EVQ11G04M	..CD
S	321	87-A90-095-080	SW,TACT EVQ11G04M	..CD
S	327	87-A90-095-080	SW,TACT EVQ11G04M	..CD
S	326	87-A90-095-080	SW,TACT EVQ11G04M	..CD
S	324	87-A90-095-080	SW,TACT EVQ11G04M	..CD
S	332	87-A90-095-080	SW,TACT EVQ11G04M	..CD
S	333	87-A90-095-080	SW,TACT EVQ11G04M	..CD
S	334	87-A90-095-080	SW,TACT EVQ11G04M	..CD
S	335	87-A90-095-080	SW,TACT EVQ11G04M	..CD
S	347	87-A90-095-080	SW,TACT EVQ11G04M	..CD
S	349	87-A90-095-080	SW,TACT EVQ11G04M	..CD
S	341	87-A90-095-080	SW,TACT EVQ11G04M	..CD
S	343	87-A90-095-080	SW,TACT EVQ11G04M	..CD
S	348	87-A90-095-080	SW,TACT EVQ11G04M	..CD
S	345	87-A90-095-080	SW,TACT EVQ11G04M	..CD
S	344	87-A90-095-080	SW,TACT EVQ11G04M	..CD
S	346	87-A90-095-080	SW,TACT EVQ11G04M	..CD
S	342	87-A90-095-080	SW,TACT EVQ11G04M	..CD
S	350	87-A90-095-080	SW,TACT EVQ11G04M	..CD
S	354	87-A90-095-080	SW,TACT EVQ11G04M	..CD
S	351	87-A90-095-080	SW,TACT EVQ11G04M	..CD
S	353	87-A90-095-080	SW,TACT EVQ11G04M	..CD
S	352	87-A90-095-080	SW,TACT EVQ11G04M	..CD
S	355	87-A90-095-080	SW,TACT EVQ11G04M	..CD
C	802	87-010-168-080	CAP,CHIP 150P	..CD
C	804	87-010-187-080	CAP,CHIP S5600P	..CD
C	807	87-010-196-080	CHIP CAPACITOR,0.1-25	..CD

ELECTRICAL MAIN PARTS LIST - 4/9

C	805	87-010-196-080	CHIP CAPACITOR,0.1-25	..CD.....
C	806	87-010-401-040	CAP,E 1-50 SME	..CD.....
C	809	87-012-155-080	C-CAP 180P-50CH	..CD.....
C	810	87-010-263-040	CAP,E 100-10	..CD.....
C	811	87-010-382-040	CAP,E 22-25 SME	..CD.....
C	812	87-010-405-040	CAP,E 10-50	..CD.....
D	801	87-017-931-080	ZENER,MTZJ5.6B	..CD.....
IC	801	87-A21-051-040	C-IC,BU9990-03FS	..CD.....
JW	801	87-008-372-080	FILTER,EMI BL OIRNI	..CD.....
L	802	87-005-847-080	COIL,2.2UH(CECS)	..CD.....
L	801	87-A50-093-010	COIL,CLOCK 5.76MHZ	..CD.....
C	309	87-010-196-080	CHIP CAPACITOR,0.1-25	..D.....
C	307	87-010-196-080	CHIP CAPACITOR,0.1-25	ABCDE.....
C	302	87-010-318-080	C-CAP,S 47P-50 CH	ABCDE.....
C	301	87-010-318-080	C-CAP,S 47P-50 CH	ABCDE.....
C	305	87-012-145-080	CAP,CHIP S 270P CH	ABCDE.....
C	306	87-012-145-080	CAP,CHIP S 270P CH	ABCDE.....
C	304	87-012-157-080	C-CAP,S 330P-50 CH	ABCDE.....
C	303	87-012-157-080	C-CAP,S 330P-50 CH	ABCDE.....
C	316	87-010-178-080	CHIP CAP 1000P	ABC.E.....
C	315	87-010-178-080	CHIP CAP 1000P	ABC.E.....
C	313	87-010-179-080	CAP,CHIP S B1200P	..D.....
C	316	87-010-179-080	CAP,CHIP S B1200P	..D.....
C	314	87-010-179-080	CAP,CHIP S B1200P	..D.....
C	315	87-010-179-080	CAP,CHIP S B1200P	..D.....
C	313	87-010-181-080	CAP,CHIP S 1800P	ABC.E.....
C	314	87-010-181-080	CAP,CHIP S 1800P	ABC.E.....
C	310	87-010-196-080	CHIP CAPACITOR,0.1-25	..D.....
C	312	87-010-198-080	CAP,CHIP 0.022	ABCDE.....
C	311	87-010-198-080	CAP,CHIP 0.022	ABCDE.....
C	319	87-012-141-080	CHIP-CAPACITOR,0.22-16F	ABC.E.....
C	317	87-A10-201-080	C-CAP,S0.33-16 KB	ABC.E.....
C	318	87-A10-201-080	C-CAP,S0.33-16 KB	ABC.E.....
C	324	87-010-260-080	CAP,ELECT 47-25V	ABCDE.....
C	325	87-010-370-080	CAP,E 330-6.3 SME	ABCDE.....
C	327	87-010-404-080	CAP,ELECT 4.7-50V	ABCDE.....
C	328	87-010-404-080	CAP,ELECT 4.7-50V	ABCDE.....
C	320	87-012-141-080	CHIP-CAPACITOR,0.22-16F	ABC.E.....
C	322	87-016-492-080	C-CAP,S 0.33-16 FZ	ABCDE.....
C	321	87-016-492-080	C-CAP,S 0.33-16 FZ	ABCDE.....
C	337	87-010-196-080	CHIP CAPACITOR,0.1-25	ABCDE.....
C	339	87-010-196-080	CHIP CAPACITOR,0.1-25	ABCDE.....
C	332	87-010-196-080	CHIP CAPACITOR,0.1-25	ABCDE.....
C	336	87-010-401-080	CAP,ELECT 1-50V	ABCDE.....
C	335	87-010-401-080	CAP,ELECT 1-50V	ABCDE.....
C	340	87-010-196-080	CHIP CAPACITOR,0.1-25	ABCDE.....
C	354	87-010-175-080	CAP 560P	ABCDE.....
C	359	87-010-183-080	C-CAP,S 2700P-50 B	ABCDE.....
C	358	87-010-183-080	C-CAP,S 2700P-50 B	ABCDE.....
C	357	87-010-197-080	CAP,CHIP 0.01 DM	ABCDE.....
C	356	87-010-260-080	CAP,ELECT 47-25V	ABCDE.....
C	352	87-012-140-080	CAP 470P	ABCDE.....
C	351	87-012-140-080	CAP 470P	ABCDE.....
C	355	87-012-349-080	C-CAP,S 1000P-50 CH	ABCDE.....
C	360	87-010-183-080	C-CAP,S 2700P-50 B	ABCDE.....
C	363	87-A10-292-080	CAP,M 5600P-50 J	ABCDE.....
C	372	87-010-175-080	CAP 560P	ABC.E.....
C	371	87-010-175-080	CAP 560P	ABC.E.....
C	373	87-010-179-080	CAP,CHIP S B1200P	ABC.E.....
C	374	87-010-179-080	CAP,CHIP S B1200P	ABC.E.....
C	378	87-010-196-080	CHIP CAPACITOR,0.1-25	ABCDE.....
C	370	87-010-196-080	CHIP CAPACITOR,0.1-25	ABCDE.....
C	379	87-010-382-080	CAP,ELECT 22-25V	..D.....
C	375	87-010-545-080	CAP,ELECT 0.22-50V	ABC.E.....
C	376	87-010-545-080	CAP,ELECT 0.22-50V	ABC.E.....
C	373	87-016-083-080	C-CAP,S 0.15-16 RK	..D.....
C	374	87-016-083-080	C-CAP,S 0.15-16 RK	..D.....
C	385	87-010-184-080	CHIP CAPACITOR 3300P(K)	ABC.E.....
C	386	87-010-196-080	CHIP CAPACITOR,0.1-25	ABCDE.....
C	381	87-010-197-080	CAP,CHIP 0.01 DM	ABCDE.....
C	383	87-010-197-080	CAP,CHIP 0.01 DM	ABCDE.....
C	382	87-010-312-080	C-CAP,S 15P-50 CH	..D.....
C	382	87-010-318-080	C-CAP,S 47P-50 CH	ABC.E.....
C	380	87-010-382-080	CAP,ELECT 22-25V	..D.....
C	384	87-010-402-080	CAP,ELECT 2.2-50V	ABCDE.....
C	387	87-012-145-080	CAP,CHIP S 270P CH	..D.....
C	388	87-012-156-080	C-CAP,S 220P-50 CH	ABCDE.....
C	392	87-010-319-080	C-CAP,S 56P-50 CH	..D.....
C	391	87-010-319-080	C-CAP,S 56P-50 CH	..D.....
C	393	87-010-319-080	C-CAP,S 56P-50 CH	..D.....
C	394	87-010-319-080	C-CAP,S 56P-50 CH	..D.....
C	394	87-012-145-080	CAP,CHIP S 270P CH	ABC.E.....
C	391	87-012-145-080	CAP,CHIP S 270P CH	ABC.E.....
C	392	87-012-145-080	CAP,CHIP S 270P CH	ABC.E.....
C	393	87-012-145-080	CAP,CHIP S 270P CH	ABC.E.....
CN	301	87-099-827-010	CONN,3P S2M-3W	ABCDE.....
CN	351	87-099-832-010	CONN,8P S2M-8W	ABCDE.....
D	352	87-A40-269-080	C-DIODE,MC2836	ABCDE.....
FB	301	87-008-372-080	FILTER,EMI BL OIRNI	ABC.E.....
IC	302	87-A20-355-010	IC,CXA1553P	ABC.E.....
IC	303	87-A20-783-040	C-IC,BA7762AFS	ABCDE.....
L	302	87-A50-049-010	COIL,TRAP 85K(COI)	ABCDE.....

ELECTRICAL MAIN PARTS LIST - 5/9

L	301	87-A50-049-010	COIL,TRAP 85K(COI)	ABCDE.....
L	351	87-007-342-010	COIL,OSC 85K BIAS	ABCDE.....
Q	359	87-026-610-080	TR,KTC3198GR	ABCDE.....
Q	358	87-026-610-080	TR,KTC3198GR	ABCDE.....
Q	357	87-026-610-080	TR,KTC3198GR	ABCDE.....
Q	356	87-A30-076-080	C-TR,2SC3052F	ABC.E.....
Q	354	87-A30-087-080	C-FET,2SK2158	ABCDE.....
Q	351	87-A30-087-080	C-FET,2SK2158	ABCDE.....
Q	353	87-A30-087-080	C-FET,2SK2158	ABCDE.....
Q	355	87-A30-105-080	C-TR,RT1P 441C	ABCDE.....
Q	383	87-A30-075-080	C-TR,2SA1235F	...D.....
Q	382	87-A30-076-080	C-TR,2SC3052F	ABCDE.....
Q	381	87-A30-076-080	C-TR,2SC3052F	ABCDE.....
SFR	306	87-A90-433-080	SFR,50K H NVZ6TLTA	ABC.E.....
SFR	305	87-A90-433-080	SFR,50K H NVZ6TLTA	ABC.E.....
SFR	302	87-A90-557-080	SFR,33K H HOKU	ABC.E.....
SFR	304	87-A90-557-080	SFR,33K H HOKU	ABC.E.....
SFR	303	87-A90-557-080	SFR,33K H HOKU	ABC.E.....
SFR	301	87-A90-557-080	SFR,33K H HOKU	ABC.E.....
SFR	352	87-A90-433-080	SFR,50K H NVZ6TLTA	ABCDE.....
SFR	351	87-A90-433-080	SFR,50K H NVZ6TLTA	ABCDE.....
C	407	87-010-188-080	CAP,CHIP 6800P	ABCDE.....
C	408	87-010-188-080	CAP,CHIP 6800P	ABCDE.....
C	401	87-010-196-080	CHIP CAPACITOR,0.1-25	ABCDE.....
C	402	87-010-260-080	CAP,ELECT 47-25V	ABCDE.....
C	404	87-010-404-080	CAP,ELECT 4.7-50V	ABCDE.....
C	406	87-010-404-080	CAP,ELECT 4.7-50V	ABCDE.....
C	405	87-010-404-080	CAP,ELECT 4.7-50V	ABCDE.....
C	403	87-010-404-080	CAP,ELECT 4.7-50V	ABCDE.....
C	409	87-012-140-080	CAP 470P	ABCDE.....
C	415	87-010-197-080	CAP,CHIP 0.01 DM	ABCDE.....
C	416	87-010-197-080	CAP,CHIP 0.01 DM	ABCDE.....
C	419	87-010-260-080	CAP,ELECT 47-25V	ABCDE.....
C	412	87-010-404-080	CAP,ELECT 4.7-50V	ABCDE.....
C	414	87-010-404-080	CAP,ELECT 4.7-50V	ABCDE.....
C	413	87-010-404-080	CAP,ELECT 4.7-50V	ABCDE.....
C	411	87-010-404-080	CAP,ELECT 4.7-50V	ABCDE.....
C	418	87-010-956-080	CHIP-CAP,S 0.068-25B	ABCDE.....
C	417	87-010-956-080	CHIP-CAP,S 0.068-25B	ABCDE.....
C	410	87-012-140-080	CAP 470P	ABCDE.....
D	402	87-020-465-080	DIODE,1SS133 (110MA)	ABCDE.....
D	401	87-A40-269-080	C-DIODE,MC2836	ABCDE.....
IC	401	87-A21-022-040	C-IC,BA3880FS	ABCDE.....
C	458	87-010-196-080	CHIP CAPACITOR,0.1-25	ABCDE.....
C	457	87-010-196-080	CHIP CAPACITOR,0.1-25	ABCDE.....
C	451	87-010-401-080	CAP,ELECT 1-50V	ABCDE.....
C	452	87-010-401-080	CAP,ELECT 1-50V	ABCDE.....
C	452	87-010-404-080	CAP,ELECT 4.7-50V
C	451	87-010-404-080	CAP,ELECT 4.7-50V
C	459	87-A10-299-080	CAP,M 0.022-50 J	ABCDE.....
C	455	87-A10-305-080	CAP,M 0.068-50 J	ABCDE.....
C	456	87-A10-305-080	CAP,M 0.068-50 J	ABCDE.....
C	461	87-018-119-080	CAP,CER 100P-50V	ABCDE.....
C	465	87-A10-299-080	CAP,M 0.022-50 J	ABCDE.....
C	460	87-A10-299-080	CAP,M 0.022-50 J	ABCDE.....
C	466	87-A10-299-080	CAP,M 0.022-50 J	ABCDE.....
IC	451	87-A21-031-040	C-IC,BU4551BF	ABCDE.....
C	9	87-010-928-090	TAPPING SCREW, BVT2+3-8	ABCDE.....
C	6	87-012-368-080	CAP,E 4700-25 SMG	ABCDE.....
C	3	87-012-368-080	C-CAP,S 0.1-50 F	ABCDE.....
C	4	87-012-368-080	C-CAP,S 0.1-50 F	ABCDE.....
C	5	87-012-368-080	C-CAP,S 0.1-50 F	ABCDE.....
C	2	87-012-369-080	C-CAP,S 0.047-50F	ABCDE.....
C	1	87-012-369-080	C-CAP,S 0.047-50F	ABCDE.....
C	10	87-010-928-090	CAP,E 4700-25 SMG	ABCDE.....
C	27	87-010-197-080	CAP,CHIP 0.01 DM	ABC.E.....
C	26	87-010-263-080	CAP,ELECT 100-10V	ABCDE.....
C	28	87-010-263-080	CAP,ELECT 100-10V
C	29	87-010-384-080	CAP,ELECT 100-25V	ABCDE.....
C	21	87-010-385-080	CAP,ELECT 220-25V	ABCDE.....
C	24	87-010-385-080	CAP,ELECT 220-25V	ABCDE.....
C	22	87-010-385-080	CAP,ELECT 220-25V	ABCDE.....
C	23	87-010-385-080	CAP,ELECT 220-25V	ABCDE.....
C	25	87-010-409-080	CAP,E 220-50 SME	ABCDE.....
C	27	87-012-140-080	CAP 470P	...D.....
C	30	87-010-112-080	CAP,ELECT 100-16V	ABCDE.....
C	31	87-010-235-080	CAP,E 470-16 SME	ABCDE.....
C	61	87-010-260-080	CAP,ELECT 47-25V	ABCDE.....
C	62	87-010-496-080	CAP,E 3.3-50 5L	ABCDE.....
CNA	1	8Z-NF8-669-010	CONN ASSY,9P VH	ABCDE.....
D	8	87-020-465-080	DIODE,1SS133 (110MA)	ABCDE.....
D	9	87-020-465-080	DIODE,1SS133 (110MA)	ABCDE.....
D	6	87-070-274-080	DIODE,1N4003 SEM	ABCDE.....
D	3	87-070-274-080	DIODE,1N4003 SEM	ABCDE.....
D	4	87-070-274-080	DIODE,1N4003 SEM	ABCDE.....
D	5	87-070-274-080	DIODE,1N4003 SEM	ABCDE.....
D	7	87-A40-341-080	ZENER,MTZJ 36 A	ABCDE.....
D	1	87-A40-547-090	DIODE,D5SBA20	ABCDE.....
D	10	87-A40-345-080	ZENER,MTZJ10C	ABCDE.....
D	64	87-070-274-080	DIODE,1N4003 SEM	ABCDE.....
D	62	87-A40-269-080	C-DIODE,MC2836	ABCDE.....

ELECTRICAL MAIN PARTS LIST - 6/9

D	61	87-A40-270-080	C-DIODE,MC2838	ABCDE.....
0	1	87-026-609-080	TR,KTA1266GR	ABCDE.....
0	2	87-026-609-080	TR,KTA1266GR	ABCDE.....
0	5	87-026-610-080	TR,KTC3198GR	ABCDE.....
0	7	87-A30-075-080	C-TR,2SA1235F
0	8	87-A30-075-080	C-TR,2SA1235F	ABCDE.....
0	6	87-A30-076-080	C-TR,2SC3052F	ABCDE.....
0	9	87-A30-234-080	TR,CSC4115BC	ABCDE.....
0	4	89-213-702-010	TR,2SB1370 (1.8W)	ABCDE.....
0	3	89-213-702-010	TR,2SB1370 (1.8W)	ABCDE.....
0	66	87-A30-075-080	C-TR,2SA1235F	ABCDE.....
0	64	87-A30-075-080	C-TR,2SA1235F	ABCDE.....
0	67	87-A30-076-080	C-TR,2SC3052F	ABCDE.....
0	65	87-A30-076-080	C-TR,2SC3052F	ABCDE.....
0	63	87-A30-076-080	C-TR,2SC3052F	ABCDE.....
R	20	87-A00-261-080	RES,M/F 0.56-1W J
WH	1	87-A90-510-010	HLDR,WIRE 2.5-9P	ABCDE.....
		87-067-703-010	TAPPING SCREW, BVT2+3-10	ABCDE.....
C	34	87-010-405-080	CAP, ELECT 10-50V	ABC.E.....
C	33	87-010-405-080	CAP, ELECT 10-50V	ABC.E.....
C	32	87-012-368-080	C-CAP,S 0.1-50 F	ABCDE.....
C	33	87-016-299-080	CAP,E 10-100 SME	...D.....
C	34	87-016-299-080	CAP,E 10-100 SME	...D.....
C	101	87-010-178-080	CHIP CAP 1000P	ABCDE.....
C	102	87-010-178-080	CHIP CAP 1000P	ABCDE.....
C	101	87-010-183-080	C-CAP,S 2700P-50 B
C	102	87-010-183-080	C-CAP,S 2700P-50 B
C	105	87-010-186-080	CAP,CHIP 4700P
C	106	87-010-186-080	CAP,CHIP 4700P
C	109	87-010-322-080	C-CAP,S 100P-50 CH	ABC.E.....
C	104	87-010-400-080	CAP, ELECT 0.47-50V
C	103	87-010-400-080	CAP, ELECT 0.47-50V
C	108	87-010-403-080	CAP, ELECT 3.3-50V
C	107	87-010-403-080	CAP, ELECT 3.3-50V
C	104	87-010-405-080	CAP, ELECT 10-50V	ABCDE.....
C	103	87-010-405-080	CAP, ELECT 10-50V	ABCDE.....
C	108	87-010-408-080	CAP, ELECT 47-50V	ABCDE.....
C	107	87-010-408-080	CAP, ELECT 47-50V	ABCDE.....
C	112	87-010-260-080	CAP, ELECT 47-25V	ABCDE.....
C	111	87-010-260-080	CAP, ELECT 47-25V	ABCDE.....
C	110	87-010-322-080	C-CAP,S 100P-50 CH	ABC.E.....
C	118	87-016-247-080	C-CAP,0.1-50 F	ABCDE.....
C	117	87-016-247-080	C-CAP,0.1-50 F	ABCDE.....
C	114	87-A10-812-080	C-CAP,S 220P-200 J CH	ABCDE.....
C	113	87-A10-812-080	C-CAP,S 220P-200 J CH	ABCDE.....
C	124	87-010-176-080	C-CAP,S 680P-50 SL	ABC.E.....
C	123	87-010-176-080	C-CAP,S 680P-50 SL	ABC.E.....
C	121	87-010-178-080	CHIP CAP 1000P	ABCDE.....
C	122	87-010-178-080	CHIP CAP 1000P	ABCDE.....
C	129	87-010-191-080	C-CAP,S 0.015-50 F	ABC.E.....
C	126	87-012-368-080	C-CAP,S 0.1-50 F	ABCDE.....
C	127	87-012-368-080	C-CAP,S 0.1-50 F	ABCDE.....
C	128	87-012-368-080	C-CAP,S 0.1-50 F	ABCDE.....
C	125	87-012-368-080	C-CAP,S 0.1-50 F	ABCDE.....
C	130	87-010-191-080	C-CAP,S 0.015-50 F	ABC.E.....
C	136	87-010-196-080	CHIP CAPACITOR,0.1-25	ABCDE.....
C	133	87-010-197-080	CAP, CHIP 0.01 DM	ABCDE.....
C	131	87-010-197-080	CAP, CHIP 0.01 DM	ABC.E.....
C	132	87-010-197-080	CAP, CHIP 0.01 DM	ABC.E.....
D	13	87-020-465-080	DIODE,1SS133 (110MA)	ABCDE.....
D	15	87-020-465-080	DIODE,1SS133 (110MA)	ABCDE.....
D	12	87-020-465-080	DIODE,1SS133 (110MA)	ABCDE.....
D	14	87-020-465-080	DIODE,1SS133 (110MA)	ABCDE.....
D	11	87-020-465-080	DIODE,1SS133 (110MA)	ABCDE.....
D	19	87-A40-183-090	DIODE,RK36(F)	ABCDE.....
D	16	87-A40-345-080	ZENER,MTZJ10C	ABCDE.....
D	24	87-070-136-080	ZENER,MTZJ5.1B	ABCDE.....
D	23	87-070-136-080	ZENER,MTZJ5.1B	ABCDE.....
D	20	87-A40-183-090	DIODE,RK36(F)	ABCDE.....
D	25	87-A40-345-080	ZENER,MTZJ10C	ABC.E.....
D	25	87-A40-346-080	ZENER,MTZJ 8.2C
D	24	87-A40-438-080	ZENER,MTZJ4.7A
D	25	87-A40-442-080	ZENER,MTZJ9.1A	...D.....
D	102	87-020-465-080	DIODE,1SS133 (110MA)	ABCDE.....
D	104	87-020-465-080	DIODE,1SS133 (110MA)	ABCDE.....
D	103	87-020-465-080	DIODE,1SS133 (110MA)	ABCDE.....
D	109	87-020-465-080	DIODE,1SS133 (110MA)	ABCDE.....
D	101	87-020-465-080	DIODE,1SS133 (110MA)	ABCDE.....
D	108	87-A40-488-080	DIODE,1SS244	ABCDE.....
D	107	87-A40-488-080	DIODE,1SS244	ABCDE.....
D	111	87-020-331-080	CHIP-DIODE,DAN202K	...D.....
D	110	87-020-465-080	DIODE,1SS133 (110MA)	ABCDE.....
D	114	87-020-465-080	DIODE,1SS133 (110MA)	ABCDE.....
D	115	87-020-465-080	DIODE,1SS133 (110MA)	ABCDE.....
D	112	87-020-465-080	DIODE,1SS133 (110MA)	ABCDE.....
D	113	87-020-465-080	DIODE,1SS133 (110MA)	ABCDE.....
D	111	87-A40-270-080	C-DIODE,MC2838	ABC.E.....
J	203	87-033-240-010	TERMINAL, SP 4P32SV1-05	ABCDE.....
U	201	87-A60-483-010	JACK,DIA6.3 BLK ST W/S KM	ABCDE.....
J	201	87-A60-488-010	JACK,DIA6.3 BLK ST W/SW KM16AT
L	101	87-003-383-010	COIL,1UH-S	ABCDE.....
L	102	87-003-383-010	COIL,1UH-S	ABCDE.....

ELECTRICAL MAIN PARTS LIST - 7/9

Q	10	87-A30-072-080	C-TR,RT1P 144C	ABCDE
Q	12	87-A30-075-080	C-TR,2SA1235F	ABCDE
Q	11	87-A30-076-080	C-TR,2SC3052F	ABCDE
Q	13	87-A30-186-010	FET,2SK3053	ABCDE
Q	14	87-A30-186-010	FET,2SK3053	ABCDE
Q	61	87-A30-074-080	C-TR,RT1P 141C	ABCDE
Q	62	87-A30-075-080	C-TR,2SA1235F	ABC.E
Q	62	87-A30-268-040	C-TR,2SA1514K(S)	...D
Q	106	87-A30-075-080	C-TR,2SA1235F	ABC.E
Q	104	87-A30-075-080	C-TR,2SA1235F	ABC.E
Q	103	87-A30-075-080	C-TR,2SA1235F	ABC.E
Q	105	87-A30-075-080	C-TR,2SA1235F	ABC.E
Q	108	87-A30-076-080	C-TR,2SC3052F	ABCDE
Q	107	87-A30-076-080	C-TR,2SC3052F	ABCDE
Q	109	87-A30-076-080	C-TR,2SC3052F	ABCDE
Q	102	87-A30-257-080	C-TR,2SD1306E	ABCDE
Q	101	87-A30-257-080	C-TR,2SD1306E	ABCDE
Q	104	87-A30-268-040	C-TR,2SA1514K(S)	...D
Q	106	87-A30-268-040	C-TR,2SA1514K(S)	...D
Q	105	87-A30-268-040	C-TR,2SA1514K(S)	...D
Q	103	87-A30-268-040	C-TR,2SA1514K(S)	...D
Q	110	87-A30-076-080	C-TR,2SC3052F	ABCDE
Q	119	87-A30-097-010	TR,FN 1016	...
Q	119	87-A30-137-010	TR,2SD2494	ABCDE
Q	112	87-A30-190-080	TR,CC5551	ABCDE
Q	111	87-A30-190-080	TR,CC5551	ABCDE
Q	127	87-A30-075-080	C-TR,2SA1235F	ABCDE
Q	129	87-A30-076-080	C-TR,2SC3052F	ABCDE
Q	128	87-A30-076-080	C-TR,2SC3052F	ABCDE
Q	120	87-A30-097-010	TR,FN 1016	...
Q	121	87-A30-098-010	TR,FP 1016	...
Q	122	87-A30-098-010	TR,FP 1016	...
Q	124	87-A30-106-070	C-TR,CMBT5551	ABCDE
Q	123	87-A30-106-070	C-TR,CMBT5551	ABCDE
Q	120	87-A30-137-010	TR,2SD2494	ABCDE
Q	122	87-A30-138-010	TR,2SB1625	ABCDE
Q	121	87-A30-138-010	TR,2SB1625	ABCDE
Q	126	87-A30-268-040	C-TR,2SA1514K(S)	ABCDE
Q	130	87-A30-076-080	C-TR,2SC3052F	ABCDE
Q	131	87-A30-076-080	C-TR,2SC3052F	ABCDE
R	129	87-A00-257-080	RES,M/F 0.15-1W J	ABC.E
R	129	87-A00-262-080	RES,M/F 0.15-2W J	...D
R	131	87-A00-257-080	RES,M/F 0.15-1W J	ABC.E
R	132	87-A00-257-080	RES,M/F 0.15-1W J	ABC.E
R	130	87-A00-257-080	RES,M/F 0.15-1W J	ABC.E
R	130	87-A00-262-080	RES,M/F 0.15-2W J	...D
R	131	87-A00-262-080	RES,M/F 0.15-2W J	...D
R	132	87-A00-262-080	RES,M/F 0.15-2W J	...D
R	145	87-A00-440-050	RES,220-1/2W J RP	ABCDE
R	144	87-A00-440-050	RES,220-1/2W J RP	ABCDE
R	143	87-A00-440-050	RES,220-1/2W J RP	ABCDE
R	146	87-A00-440-050	RES,220-1/2W J RP	ABCDE
R	165	87-A00-257-080	RES,M/F 0.15-1W J	ABC.E
R	166	87-A00-257-080	RES,M/F 0.15-1W J	ABC.E
R	166	87-A00-262-080	RES,M/F 0.15-2W J	...D
R	165	87-A00-262-080	RES,M/F 0.15-2W J	...D
TH	101	87-A91-042-080	C-THMS,100K 55001	ABCDE
TH	102	87-A91-042-080	C-THMS,100K 55001	ABCDE
C	203	87-010-177-080	C-CAP,S 820P-50 SL	ABCDE
C	204	87-010-177-080	C-CAP,S 820P-50 SL	ABCDE
C	209	87-010-403-080	CAP,ELECT 3.3-50V	ABCDE
C	211	87-010-181-080	CAP,CHIP S 1800P	ABCDE
C	212	87-010-181-080	CAP,CHIP S 1800P	ABCDE
C	217	87-010-260-080	CAP,ELECT 47-25V	ABCDE
C	218	87-010-260-080	CAP,ELECT 47-25V	ABCDE
C	216	87-010-322-080	C-CAP,S 100P-50 CH	ABC.E
C	215	87-010-322-080	C-CAP,S 100P-50 CH	ABC.E
C	210	87-010-403-080	CAP,ELECT 3.3-50V	ABCDE
C	214	87-010-403-080	CAP,ELECT 3.3-50V	ABCDE
C	213	87-010-403-080	CAP,ELECT 3.3-50V	ABCDE
C	219	87-A10-946-080	C-CAP,S 220P-100 J CH	ABCDE
C	227	87-010-186-080	CAP,CHIP 4700P	ABCDE
C	228	87-010-186-080	CAP,CHIP 4700P	ABCDE
C	229	87-010-993-080	C-CAP,S 0.056-25 B	ABCDE
C	226	87-012-368-080	C-CAP,S 0.1-50 F	ABCDE
C	225	87-012-368-080	C-CAP,S 0.1-50 F	ABCDE
C	220	87-A10-946-080	C-CAP,S 220P-100 J CH	ABCDE
C	233	87-010-190-080	S CHIP F 0.01	ABC.E
C	234	87-010-190-080	S CHIP F 0.01	ABC.E
C	232	87-010-196-080	CHIP CAPACITOR,0.1-25	ABCDE
C	239	87-010-196-080	CHIP CAPACITOR,0.1-25	ABC.E
C	231	87-010-196-080	CHIP CAPACITOR,0.1-25	ABCDE
C	238	87-010-322-080	C-CAP,S 100P-50 CH	ABC.E
C	237	87-010-322-080	C-CAP,S 100P-50 CH	ABC.E
C	230	87-010-993-080	C-CAP,S 0.056-25 B	ABCDE
C	236	87-016-285-080	CAP,E 47-100SME	ABCDE
C	235	87-016-285-080	CAP,E 47-100SME	ABCDE
D	203	87-020-465-080	DIODE,1SS133 (110MA)	ABCDE
D	204	87-020-465-080	DIODE,1SS133 (110MA)	ABCDE
D	201	87-020-465-080	DIODE,1SS133 (110MA)	ABCDE
D	202	87-020-465-080	DIODE,1SS133 (110MA)	ABCDE
D	209	87-020-465-080	DIODE,1SS133 (110MA)	ABCDE

ELECTRICAL MAIN PARTS LIST - 8/9

D	208	87-A40-488-080	DIODE,1SS244	ABCDE.....
D	207	87-A40-488-080	DIODE,1SS244	ABCDE.....
D	211	87-020-331-080	CHIP-DIODE,DAN202K	...D.....
D	214	87-020-465-080	DIODE,1SS133 (110MA)	ABCDE.....
D	210	87-020-465-080	DIODE,1SS133 (110MA)	ABCDE.....
D	212	87-020-465-080	DIODE,1SS133 (110MA)	.BC.E.....
D	211	87-A40-270-080	C-DIODE,MC2838	ABC.E.....
J	204	87-A60-641-010	JACK,PIN 4P R/W/B JALCO
J	204	87-A60-750-010	JACK,PIN 4P R/W BLUE	ABCDE.....
L	201	87-003-383-010	COIL,1UH-S	ABCDE.....
L	202	87-003-383-010	COIL,1UH-S	ABCDE.....
Q	206	87-A30-075-080	C-TR,2SA1235F	ABCDE.....
Q	205	87-A30-075-080	C-TR,2SA1235F	ABCDE.....
Q	203	87-A30-075-080	C-TR,2SA1235F	ABCDE.....
Q	204	87-A30-075-080	C-TR,2SA1235F	ABCDE.....
Q	209	87-A30-076-080	C-TR,2SC3052F	ABCDE.....
Q	208	87-A30-076-080	C-TR,2SC3052F	ABCDE.....
Q	207	87-A30-076-080	C-TR,2SC3052F	ABCDE.....
Q	201	87-A30-257-080	C-TR,2SD1306E	ABCDE.....
Q	202	87-A30-257-080	C-TR,2SD1306E	ABCDE.....
Q	210	87-A30-076-080	C-TR,2SC3052F	ABCDE.....
Q	219	87-A30-119-040	C-TR,2SC3906K R	ABCDE.....
Q	211	87-A30-190-080	TR,CC5551	ABCDE.....
Q	212	87-A30-190-080	TR,CC5551	ABCDE.....
Q	217	87-A30-255-010	TR,2SB1342	ABCDE.....
Q	218	87-A30-255-010	TR,2SB1342	ABCDE.....
Q	216	87-A30-256-010	TR,2SD1933	ABCDE.....
Q	215	87-A30-256-010	TR,2SD1933	ABCDE.....
Q	221	87-A30-073-080	C-TR,RT1N 141C	.BC.E.....
Q	226	87-A30-076-080	C-TR,2SC3052F	ABCDE.....
Q	227	87-A30-076-080	C-TR,2SC3052F	ABCDE.....
Q	225	87-A30-076-080	C-TR,2SC3052F	ABCDE.....
Q	224	87-A30-076-080	C-TR,2SC3052F	ABCDE.....
Q	220	87-A30-119-040	C-TR,2SC3906K R	ABCDE.....
R	232	87-A00-258-080	RES,M/F 0.22-1W J	ABCDE.....
R	231	87-A00-258-080	RES,M/F 0.22-1W J	ABCDE.....
R	233	87-A00-258-080	RES,M/F 0.22-1W J	ABCDE.....
R	234	87-A00-258-080	RES,M/F 0.22-1W J	ABCDE.....
R	265	87-A00-258-080	RES,M/F 0.22-1W J	ABCDE.....
R	266	87-A00-258-080	RES,M/F 0.22-1W J	ABCDE.....
RY	201	87-045-382-010	RELAY,OUAZ-SH-112L	.BC.E.....
C	602	87-010-181-080	CAP,CHIP S 1800P	...D.....
C	601	87-010-181-080	CAP,CHIP S 1800P	...D.....
C	602	87-010-183-080	C-CAP,S 2700P-50 B	ABC.E.....
C	601	87-010-183-080	C-CAP,S 2700P-50 B	ABC.E.....
C	619	87-010-185-080	C-CAP,S 3900P-50 B	ABCDE.....
C	611	87-010-197-080	CAP,CHIP 0.01 DM	ABCDE.....
C	613	87-016-081-080	C-CAP,S 0.1-16 RK	ABCDE.....
C	614	87-016-081-080	C-CAP,S 0.1-16 RK	ABCDE.....
C	618	87-A10-304-080	CAP,M 0.056-50 J	AB..E.....
C	617	87-A10-304-080	CAP,M 0.056-50 J	AB..E.....
C	618	87-A10-305-080	CAP,M 0.068-50 J	..CD.....
C	617	87-A10-305-080	CAP,M 0.068-50 J	..CD.....
C	620	87-010-185-080	C-CAP,S 3900P-50 B	ABCDE.....
C	627	87-010-196-080	CHIP CAPACITOR,0.1-25	ABCDE.....
C	626	87-010-401-080	CAP,ELECT 1-50V	ABCDE.....
C	622	87-010-401-080	CAP,ELECT 1-50V	ABCDE.....
C	621	87-010-401-080	CAP,ELECT 1-50V	ABCDE.....
C	625	87-010-401-080	CAP,ELECT 1-50V	ABCDE.....
C	629	87-010-405-080	CAP,ELECT 10-50V	ABCDE.....
C	624	87-A10-307-080	CAP,M 0.1-50 J	ABCDE.....
C	623	87-A10-307-080	CAP,M 0.1-50 J	ABCDE.....
C	637	87-010-183-080	C-CAP,S 2700P-50 B	ABCDE.....
C	634	87-010-196-080	CHIP CAPACITOR,0.1-25	ABCDE.....
C	635	87-010-196-080	CHIP CAPACITOR,0.1-25	ABCDE.....
C	630	87-010-213-080	C-CAP,S 0.015-50 B	ABCDE.....
C	633	87-010-263-080	CAP,ELECT 100-10V	ABCDE.....
C	632	87-010-263-080	CAP,ELECT 100-10V	ABCDE.....
C	631	87-010-992-080	C-CAP,S 0.047-25 B	ABCDE.....
C	636	87-010-992-080	C-CAP,S 0.047-25 B	ABCDE.....
C	641	87-010-196-080	CHIP CAPACITOR,0.1-25	ABCDE.....
C	640	87-010-314-080	C-CAP,S 22P-50V	ABCDE.....
C	669	87-010-322-080	C-CAP,S 100P-50 CH	ABC.E.....
C	678	87-010-196-080	CHIP CAPACITOR,0.1-25	ABCDE.....
C	677	87-010-196-080	CHIP CAPACITOR,0.1-25	ABCDE.....
C	672	87-010-322-080	C-CAP,S 100P-50 CH	ABC.E.....
C	671	87-010-322-080	C-CAP,S 100P-50 CH	ABC.E.....
C	670	87-010-322-080	C-CAP,S 100P-50 CH	ABC.E.....
C	680	87-010-196-080	CHIP CAPACITOR,0.1-25	ABCDE.....
CN	604	87-099-570-010	CONN,13P TUC-P13P-B1	A..D.....
CN	601	87-099-719-010	CONN,30P TYK-B(X)	ABCDE.....
CN	602	87-A60-131-010	CONN,6P V FE	ABCDE.....
CN	605	87-A60-189-010	CONN,16P V TUC-P16P-B1	.BC.E.....
D	601	87-A40-002-080	ZENER,MTZJ5.1C	ABCDE.....
D	603	87-A40-234-080	ZENER,MTZJ5.6A	ABCDE.....
D	602	87-A40-438-080	ZENER,MTZJ4.7A	ABCDE.....
IC	601	87-A21-011-040	C-IC,M62445FP-600D	AB..E.....
IC	601	87-A21-202-040	C-IC,M62445AFP	..CD.....
J	601	87-A60-402-010	JACK,PIN 6P R/W HSP-246V30	ABCDE.....
Q	601	87-026-609-080	TR,KTA1266GR	ABCDE.....
Q	603	87-A30-087-080	C-FET,2SK2158	.BC.E.....
Q	604	87-A30-142-040	C-TR,DTA123EKA	ABCDE.....

ELECTRICAL MAIN PARTS LIST - 9/9

Q	602	87-A30-269-040	C-FET,2SJ461-T1	.BC.E.....
C	707	87-010-180-080	C-CER 1500P	.BC.E.....
C	702	87-010-196-080	CHIP CAPACITOR,0.1-25	.BC.E.....
C	706	87-010-197-080	CAP, CHIP 0.01 DM	.BC.E.....
C	708	87-010-213-080	C-CAP,S 0.015-50 B	.BC.E.....
C	709	87-010-213-080	C-CAP,S 0.015-50 B	.BC.E.....
C	701	87-010-263-080	CAP, ELECT 100-10V	.BC.E.....
C	704	87-010-319-080	C-CAP,S 56P-50 CH	.BC.E.....
C	703	87-010-319-080	C-CAP,S 56P-50 CH	.BC.E.....
C	705	87-012-393-080	C-CAP,S 0.22-16 R K	.BC.E.....
C	711	87-010-181-080	CAP,CHIP S 1800P	.BC.E.....
C	718	87-010-183-080	C-CAP,S 2700P-50 B	.BC.E.....
C	717	87-010-183-080	C-CAP,S 2700P-50 B	.BC.E.....
C	712	87-010-196-080	CHIP CAPACITOR,0.1-25	.BC.E.....
C	710	87-010-197-080	CAP, CHIP 0.01 DM	.BC.E.....
C	714	87-010-374-080	CAP, ELECT 47-10V	.BC.E.....
C	716	87-010-494-080	CAP ELECT GAS 1/50	.BC.E.....
C	715	87-010-494-080	CAP ELECT GAS 1/50	.BC.E.....
C	713	87-010-544-080	CAP, ELECT 0.1-50V	.BC.E.....
C	735	87-010-178-080	CHIP CAP 1000P	.BC.E.....
C	733	87-010-196-080	CHIP CAPACITOR,0.1-25	.BC.E.....
C	736	87-010-196-080	CHIP CAPACITOR,0.1-25	ABCDE.....
C	731	87-010-498-080	CAP,E 10-16 GAS	.BC.E.....
C	734	87-012-156-080	C-CAP,S 220P-50 CH	.BC.E.....
C	741	87-010-178-080	CHIP CAP 1000P	.BC.E.....
D	701	87-017-931-080	ZENER,MTZJ5.6B	.BC.E.....
IC	701	87-A20-613-040	C-IC,BU9262AFS	.BC.E.....
JW	703	87-008-372-080	FILTER, EMI BL OIRNI	.BC.E.....
L	701	87-005-448-080	COIL 220UH,K	.BC.E.....
Q	732	87-A30-075-080	C-TR,2SA1235F	.BC.E.....
Q	731	87-A30-076-080	C-TR,2SC3052F	.BC.E.....

ELECTRICAL MAIN PARTS LIST - 1/3 (TUNER: ZZA-1)

NOTE: The characters in the suffix column indicate the part usage.

URTM	REF.NO	PARTS NO.	XX KANRI NO.	DESCRIPTION	C SUFFIX
C	701	87-010-381-080	0E	CAP, ELECT 330-16V	ABC
C	702	87-010-404-080	0E	CAP, ELECT 4.7-50V	ABC
C	704	87-012-286-080	0E	CAP, U 0.01-25	ABC
C	703	87-012-286-080	0E	CAP, U 0.01-25	ABC
C	711	87-010-260-080	0E	CAP, ELECT 47-25V	ABC
C	711	87-010-553-080	0E	CAP, E 47-16	ABC
C	712	87-010-831-080	0E	C-CAP, U, 0.1-16F	ABC
C	718	87-012-179-080	0E	C-CAP, U 20P-50 CH	.BC
C	714	87-012-286-080	0E	CAP, U 0.01-25	ABC
C	717	87-012-286-080	0E	CAP, U 0.01-25	ABC
C	719	87-012-286-080	0E	CAP, U 0.01-25	ABC
C	727	87-010-196-080	0E	CHIP CAPACITOR, 0.1-25	ABC
C	728	87-010-248-080	0E	CAP, ELECT 220-10V	ABC
C	721	87-012-176-080	0E	CAP 15P	ABC
C	722	87-012-176-080	0E	CAP 15P	ABC
C	720	87-012-195-080	0E	C-CAP, U 100P-50CH	ABC
C	729	87-012-274-080	0E	CHIP CAP, U 1000P-50B	ABC
C	725	87-018-131-080	0E	CAP, CER 1000P-50V	ABC
CN	701	87-A60-650-010	1A	CONN, 16P H GRY TUC-P16X-C1	ABC
CN	701	87-A60-700-010	0E	CONN, 13P H GRY TUC-P13X-C1	ABC
D	721	87-017-149-080	0E	ZENER, HZS6A2L	.BC
D	722	87-020-465-080	0E	DIODE, 1SS133 (110MA)	ABC
D	721	87-A40-234-080	0E	ZENER, MTZJ5.6A	A
IC	721	87-070-127-110	1C	IC, LC72131 D	ABC
Q	713	87-A30-072-080	0E	C-TR, RT1P 144C	ABC
Q	712	87-A30-072-080	0E	C-TR, RT1P 144C	ABC
Q	711	87-A30-196-080	0E	TR, 2SC4115SRS	A
Q	711	87-A30-234-080	0E	TR, CSC4115BC	.BC
X	721	87-A70-061-010	1A	VIB, XTAL 4.500MHZ CSA-309	ABC
C	872	87-010-400-080	0E	CAP, ELECT 0.47-50V	AB
C	873	87-010-404-080	0E	CAP, ELECT 4.7-50V	AB
C	877	87-012-278-080	0E	C-CAP, U 2200P-50 B	AB
C	878	87-012-278-080	0E	C-CAP, U 2200P-50 B	AB
C	889	87-010-248-080	0E	CAP, ELECT 220-10V	AB
C	884	87-010-260-080	0E	CAP, ELECT 47-25V	AB
C	883	87-010-404-080	0E	CAP, ELECT 4.7-50V	AB
C	885	87-010-545-080	0E	CAP, ELECT 0.22-50V	A
C	886	87-010-545-080	0E	CAP, ELECT 0.22-50V	A
C	888	87-010-787-080	0E	CAP, U 0.022-25	AB
C	881	87-012-141-080	0E	CHIP-CAPACITOR, 0.22-16F	AB
C	882	87-012-172-080	0E	CAPACITOR CHIP U 10P CH	AB
C	887	87-012-286-080	0E	CAP, U 0.01-25	AB
C	885	87-016-460-080	0E	C-CAP, S 0.22-16 B	.B
C	886	87-016-460-080	0E	C-CAP, S 0.22-16 B	.B
IC	871	87-070-060-040	1F	IC, TA2040AF	AB
X	873	87-026-226-080	0E	CHIP-TR, DTA143EK	AB
X	891	87-030-394-010	1B	VIB, CER CSA3.6MGF228	AB
C	705	87-010-213-080	0E	C-CAP, S 0.015-50 B	ABC
C	706	87-010-213-080	0E	C-CAP, S 0.015-50 B	ABC
C	705	87-A10-592-080	0E	C-CAP, S 0.015-50 J B	.BC
C	706	87-A10-592-080	0E	C-CAP, S 0.015-50 J B	.BC
C	733	87-010-180-080	0E	C-CER 1500P	ABC
C	738	87-010-180-080	0E	C-CER 1500P	ABC
C	737	87-010-180-080	0E	C-CER 1500P	ABC
C	734	87-010-180-080	0E	C-CER 1500P	ABC
C	735	87-010-213-080	0E	C-CAP, S 0.015-50 B	ABC
C	736	87-010-213-080	0E	C-CAP, S 0.015-50 B	ABC
C	736	87-010-987-080	0E	C-CAP, S 1500P-50 CH	.BC
C	733	87-010-987-080	0E	C-CAP, S 1500P-50 CH	.BC
C	735	87-010-987-080	0E	C-CAP, S 1500P-50 CH	.BC
C	734	87-010-987-080	0E	C-CAP, S 1500P-50 CH	.BC
C	734	87-012-280-080	0E	CAP, U 3300P-50	ABC
C	733	87-012-280-080	0E	CAP, U 3300P-50	ABC
C	738	87-A10-592-080	0E	C-CAP, S 0.015-50 J B	.BC
C	737	87-A10-592-080	0E	C-CAP, S 0.015-50 J B	.BC
C	752	87-010-220-080	0E	C-CAP, S 0.018-25 B	.B
C	751	87-010-220-080	0E	C-CAP, S 0.018-25 B	.B
C	758	87-012-167-080	0E	C-CAP, U 5P-50 CH	ABC
C	757	87-012-188-080	0E	C-CAP, U 47P-50 CH	ABC
C	753	87-012-195-080	0E	C-CAP, U 100P-50CH	ABC
C	752	87-012-282-080	0E	CAP, U 4700P-50	ABC
C	756	87-012-286-080	0E	CAP, U 0.01-25	ABC
C	751	87-012-365-080	0E	C-CAP, S 0.027-25VBK	.C
C	752	87-012-365-080	0E	C-CAP, S 0.027-25VBK	.C
C	766	87-010-197-080	0E	CAP, CHIP 0.01 DM	ABC
C	769	87-010-260-080	0E	CAP, ELECT 47-25V	ABC
C	768	87-012-286-080	0E	CAP, U 0.01-25	ABC
C	765	87-012-286-080	0E	CAP, U 0.01-25	ABC
C	764	87-012-337-080	0E	C-CAP, U 56P-50 CH	ABC
C	774	87-010-263-080	0E	CAP, ELECT 100-10V	ABC
C	771	87-010-383-080	0E	CAP, ELECT 33-25V	ABC
C	777	87-010-400-080	0E	CAP, ELECT 0.47-50V	ABC
C	775	87-010-404-080	0E	CAP, ELECT 4.7-50V	ABC
C	777	87-010-493-040	0E	CAP, E 0.47-50 GAS	ABC
C	777	87-010-493-080	0E	CAP, E 0.47-50 GAS	ABC
C	770	87-010-829-080	0E	CAP, U 0.047-16	ABC

ELECTRICAL MAIN PARTS LIST - 2/3 (TUNER: ZZA-1)

C	780	87-010-196-080	0E	CHIP CAPACITOR,0.1-25	ABC.....
C	786	87-010-401-080	0E	CAP, ELECT 1-50V	ABC.....
C	785	87-010-401-080	0E	CAP, ELECT 1-50V	ABC.....
C	786	87-010-405-080	0E	CAP, ELECT 10-50V	ABC.....
C	785	87-010-405-080	0E	CAP, ELECT 10-50V	ABC.....
C	785	87-010-494-080	0E	CAP ELECT GAS 1/50
C	786	87-010-494-080	0E	CAP ELECT GAS 1/50
C	787	87-012-275-080	0E	C-CAP,U 1200P-50 B	ABC.....
C	788	87-012-275-080	0E	C-CAP,U 1200P-50 B	ABC.....
C	784	87-012-286-080	0E	CAP, U 0.01-25	ABC.....
C	796	87-010-403-080	0E	CAP, ELECT 3.3-50V	ABC.....
C	794	87-010-406-080	0E	CAP, ELECT 22-50	ABC.....
C	795	87-010-596-080	0E	CAP, S 0.047-16	..C.....
C	793	87-012-273-080	0E	C-CAP,U 820P-50 B	ABC.....
C	797	87-012-276-080	0E	CAP, CHIP SS 1500 PBK	A.....
C	798	87-012-276-080	0E	CAP, CHIP SS 1500 PBK	A.....
D	771	87-020-465-080	0E	DIODE,1SS133 (110MA)	ABC.....
D	773	87-A40-291-080	0E	DIODE,1N4148 (CPT)
IC	771	87-A20-913-010	1D	IC,LA1837NL	ABC.....
L	771	87-A50-266-010	1A	COIL,FM DET-2N(TOK)	ABC.....
L	772	87-A90-052-010	1C	FLTR,CFMT-450A(TOK)
L	772	87-A90-053-010	1C	FLTR,PCFMT-060(TOK)	AB.....
L	772	87-A90-733-010	1A	FLTR,PCFAZH-450 (TOK)
L	772	87-A91-110-010	FLTR,PCFJZH-450 (TOK)C.....
L	781	87-005-847-080	0E	COIL,2.2UH(CECS)
L	792	87-A50-027-010	1A	COIL,1 POLE MPX(TOK)
L	791	87-A50-027-010	1A	COIL,1 POLE MPX(TOK)
X	771	87-030-354-010	1A	VIB,CF BFU 450C
C	859	87-012-286-080	0E	CAP, U 0.01-25
C	865	87-010-196-080	0E	CHIP CAPACITOR,0.1-25
C	866	87-010-405-080	0E	CAP, ELECT 10-50V
C	864	87-010-405-080	0E	CAP, ELECT 10-50V
C	869	87-012-180-080	0E	C-CAP,U 22P-50 CH
C	868	87-012-184-080	0E	C-CAP,U 33P-50 CH
C	862	87-012-199-080	0E	CAP 220P
C	861	87-012-199-080	0E	CAP 220P
C	863	87-012-270-080	0E	CAP, U 470P-50
C	867	87-012-286-080	0E	CAP, U 0.01-25
IC	851	87-A20-440-040	1H	C-IC,BU1920FS
L	851	87-005-847-080	0E	COIL,2.2UH(CECS)
Q	853	87-A30-076-080	0E	C-TR,2SC3052F
X	851	87-A70-091-010	1B	VIB,XTAL 4.332MHZ CSA-309
C	820	87-010-260-080	0E	CAP, ELECT 47-25V	ABC.....
C	942	87-012-172-080	0E	CAPACITOR CHIP U 10P CH
C	941	87-012-180-080	0E	C-CAP,U 22P-50 CH
C	947	87-012-286-080	0E	CAP, U 0.01-25	ABC.....
C	940	87-012-286-080	0E	CAP, U 0.01-25	ABC.....
C	944	87-014-049-080	0E	CAP,PP 470P-100 J
C	944	87-014-051-080	0E	CAPACITOR (PP), 560P
C	949	87-A10-039-080	0E	C-CAP,U 470P-50 J CH
C	958	87-010-197-080	0E	CAP, CHIP 0.01 DM
C	956	87-010-263-080	0E	CAP, ELECT 100-10V
C	959	87-010-831-080	0E	C-CAP,U,0.1-16F
C	952	87-012-286-080	0E	CAP, U 0.01-25	ABC.....
C	954	87-012-358-080	0E	C-CAP,S 0.47-10 F Z
C	950	87-014-073-080	0E	CAP,PP 4700P-100 J
C	963	87-010-196-080	0E	CHIP CAPACITOR,0.1-25	ABC.....
C	962	87-010-401-080	0E	CAP, ELECT 1-50V
C	964	87-012-170-080	0E	C-CAP,U 8P-50 CH	A.....
C	961	87-012-174-080	0E	CAP CHIP CERA SS 12P CHJ	.BC.....
C	960	87-012-350-080	0E	C-CAP,1-25 F
CF	802	82-785-747-010	1A	CF MS2 GHY R
CF	802	87-008-261-010	1A	FILTER, SFE10.7MA5-A	ABC.....
CF	801	87-008-261-010	1A	FILTER, SFE10.7MA5-A	ABC.....
CF	801	87-008-423-010	1A	CERAMIC FILTER, SFE10.7
D	944	87-020-465-080	0E	DIODE,1SS133 (110MA)
D	942	87-A40-270-080	0E	C-DIODE,MC2838
FFE	801	A8-6ZA-190-030	0E	6ZA-1 FEUNM
FFE	801	A8-6ZA-191-130	6ZA-1 FEENM
FFE	801	A8-6ZA-192-030	2Y	6ZA-1 FEJNM	.B.....
FFE	801	A8-6ZA-199-170	6ZA-1 FEENC
FFE	801	A8-6ZA-19A-070	6ZA-1 FEJNC
FFE	801	A8-6ZA-19D-070	1H	6ZA-1 YFEJNC	A.....
FFE	801	A8-8ZA-190-030	8ZA-1 FEUNMC.....
FFE	801	A8-8ZA-192-070	8ZA-1 FEUNC
FFE	801	A8-8ZA-193-070	1E	8ZA-1 YFEUNC
J	801	87-033-241-010	1B	TERMINAL,ANT AJ-2039
J	801	87-A60-702-010	1B	TERMINAL,ANT 4P CJ-9036	ABC.....
J	801	87-A60-703-010	1A	TERMINAL,ANT 3P CJ-9037
J	940	81-754-629-010	0E	CONNECTOR, 2P
L	832	87-005-847-080	0E	COIL,2.2UH(CECS)
L	943	87-005-372-080	0E	COIL S 1MHM
L	942	87-A50-019-010	0E	COIL,OSC LW(COI)
L	941	87-A50-020-010	0E	COIL,ANT LW(COI)
L	941	87-A50-022-010	0E	COIL,ANT SW(COI)
L	944	87-A50-159-010	0E	COIL,10MH K C2B
L	942	87-A50-173-010	0E	COIL,OSC SW-N(COI)
L	943	87-A50-432-010	COIL,1MH K CW
L	981	87-A50-430-010	COIL,ANT MW(3BSW)
L	982	87-A50-431-010	COIL,OSC MW(3BSW)
L	981	87-NF4-650-010	1D	COIL,AM PACK 4N(TOK)	A.....
L	981	87-NF4-651-010	1C	COIL,AM PACK2N(TOM)

ELECTRICAL MAIN PARTS LIST - 3/3 (TUNER: ZZA-1)

L	981	88-NF8-625-110	1D	COIL,AM PACK3N(TOK)
L	981	8Z-ZA1-664-010		COIL,AM PACK 4(TOK)	.BC.....
L	981	8Z-ZA1-665-010		COIL,AM PACK 2(TOK)
Q	712	87-A30-072-080	0E	C-TR,RT1P 144C	ABC.....
Q	805	89-327-143-080	0E	TR,2SC2714 (0.1W)	ABC.....
Q	943	87-A30-075-080	0E	C-TR,2SA1235F
Q	942	87-A30-075-080	0E	C-TR,2SA1235F
Q	949	87-A30-076-080	0E	C-TR,2SC3052F
Q	945	87-A30-076-080	0E	C-TR,2SC3052F
Q	944	87-A30-076-080	0E	C-TR,2SC3052F
Q	948	87-A30-086-070	0E	C-TR,CSD1306E
Q	947	89-503-602-080	1A	C-FET,2SK360E
Q	947	89-505-434-540	0E	C-FET,2SK543(4/5)
Q	951	87-A30-074-080	0E	C-TR,RT1P 141C
SCR	981	87-A40-618-080		VARI-CAP,SVC 348(S/T)
TC	942	87-011-164-010	0E	CAPACITOR,TRIMMER 30P
TC	941	87-011-173-010	1A	CERAMIC TRIMMER 20P
TC	941	87-011-220-080	1A	TRIMMER CAP 20P VTC
TC	943	87-011-221-080	1A	CAP, TRIMMER 30P

MECHANICAL PARTS LIST - 1/2

NOTE: The characters in the suffix column indicate the part usage.

REF.NO	PARTS NO.	NO.	DESCRIPTION	SUFFIX
777HA		XX		D
779LH		XX		F
		KANRI		
82-NE6-067-010			BADGE,AIWA 30N	ABCDEF
86-NF6-007-010			WINDOW, TOP	ABCDEF
86-NF6-101-110			WINDOW, TOP UL	
8Z-NB8-011-110			PANEL, LEFT V-2	ABCDEF
8Z-NB8-013-010			PANEL, TOP V-2	ABCDEF
8Z-NF7-001-010			CABI, FR U	
8Z-NF7-002-010			CABI, REAR USTNM	
8Z-NF7-003-010			BOX, CASS 1	..CD.F
8Z-NF7-004-010			BOX, CASS 2	..CD.F
8Z-NF7-005-010			PANEL, TRAY	ABCDEF
8Z-NF7-006-010			PANEL, CD	..CD.F
8Z-NF7-007-010			REFLECTOR, CD	..CD.F
8Z-NF7-008-010			WINDOW, DISPLAY U	
8Z-NF7-009-010			WINDOW, CASS 1	..CD.F
8Z-NF7-010-010			WINDOW, CASS 2	..CD.F
8Z-NF7-014-010			RING, VOL	..CD.F
8Z-NF7-015-010			RING, JOG	..CD.F
8Z-NF7-016-010			REFLECTOR, JOG	..CD.F
8Z-NF7-041-010			CABI, FR HR	
8Z-NF7-042-010			CABI, FR LH	..D.F
8Z-NF7-043-010			CABI, FR EZ	..C
8Z-NF7-045-010			CABI, FR U2	
8Z-NF7-051-110			WINDOW, DISPLAY H	..D
8Z-NF7-052-010			WINDOW, DISPLAY EZ	..C
8Z-NF7-054-010			WINDOW, DISPLAY U2	
8Z-NF7-056-110			WINDOW, DISPLAY LHK	..F
8Z-NF7-057-010			WINDOW, DISPLAY HR	
8Z-NF7-058-010			WINDOW, DISPLAY D	
8Z-NF7-061-010			CABI, REAR HRJSTM	
8Z-NF7-062-010			CABI, REAR LHSTM	
8Z-NF7-063-010			CABI, REAR EZSTNE	..B
8Z-NF7-064-010			CABI, REAR KSTNE	A
8Z-NF7-066-010			CABI, REAR U2STM	
8Z-NF7-067-010			CABI, REAR HRST	
8Z-NF7-068-010			CABI, REAR LHST	
8Z-NF7-069-010			CABI, REAR EZ2STNE	..E
8Z-NF7-070-010			CABI, REAR LHJSTKM	..F
8Z-NF7-071-010			CABI, REAR EZSTM	..C
8Z-NF7-072-010			CABI, REAR HRSTM	
8Z-NF7-073-010			CABI, REAR UST	
8Z-NF7-074-010			CABI, REAR HASTM	..D
8Z-NF7-075-010			CABI, REAR STM	
8Z-NF7-076-010			CABI, REAR ST	
8Z-NF9-043-010			PANEL, RIGHT S V-2	ABCDEF
8Z-NF7-011-010			KNOB, RTRY VOL	..CD.F
8Z-NF7-012-010			KNOB, RTRY JOG	..CD.F
8Z-NF7-013-010			KNOB, RTRY MIC	..D.F
8Z-NF7-018-010			KEY, POWER	..CD.F
8Z-NF7-019-010			KEY, CD	..CD.F
8Z-NF7-020-010			KEY, DEMO U	..D.F
8Z-NF7-021-010			KEY, KARAOKE U	..D.F
8Z-NF7-022-010			KEY, FUNCTION	..CD.F
8Z-NF7-023-010			KEY, ASSY PLAY	..CD.F
8Z-NF7-026-010			PANEL, PLAY	..CD.F
8Z-NF7-027-110			KEY, NSP	..CD.F
8Z-NF7-028-010			KEY, JOG U	..D.F
8Z-NF7-029-010			KEY, PAD	..CD.F
8Z-NF7-030-010			KEY, RDS	..C
8Z-NF7-031-010			KEY, DEMO H	..C
8Z-NF7-032-010			KEY, KARAOKE E	..C
8Z-NF7-033-010			KEY, JOG H	..C
8Z-NF7-036-010			REFLECTOR, ECO	..CD.F
81-532-080-010			LABEL, CASS. COMPT	..CD.F
86-NF6-061-010			REFLECTOR, CASS	..CD.F
87-NF6-616-010			CONN ASSY, 8P RPB	ABCDEF
84-ZG1-245-210			CAP, OPTICAL	ABCDEF
82-NF5-218-010			SPR-T, EJECT 1 (SIN)	ABCDEF
82-NF5-219-010			SPR-T, EJECT 2 (SIN)	ABCDEF
82-NF5-229-010			PLATE, LOCK	..CD.F
86-NF9-224-010			SPR-C, LOCK	..CD.F
87-NF4-216-010			HLDR, LOCK 1	..CD.F
87-NF4-217-110			HLDR, LOCK 2	..CD.F
87-NF8-220-010			DMPR, 150	..CD.F
8Z-NB8-215-010			HLDR, PWB M	ABCDEF
8Z-NB8-240-010			COVER, PL	ABCDEF
87-067-641-010			UTT2+3-8(W/O SLOT)BL	ABCDEF
87-067-688-010			BVTT+3-6	ABCDEF
87-067-703-010			TAPPING SCREW, BVT2+3-10	ABCDEF
87-067-752-010			BVTT+4-10	..D.F
87-078-191-010			S-SCREW, IT+4-10	ABCDEF
87-721-096-410			QT2+3-10 GLD	ABCDEF
87-721-097-410			QT2+3-12 GLD	ABCDEF
87-723-096-410			QT2+3-10W/O SLOT BL	ABCDEF
87-NF4-224-010			S-SCREW, IT3B+3-8 CU	ABCDEF
85-NF5-617-010			CABLE, FFC 6P-1.25	ABCDEF

MECHANICAL PARTS LIST - 2/2

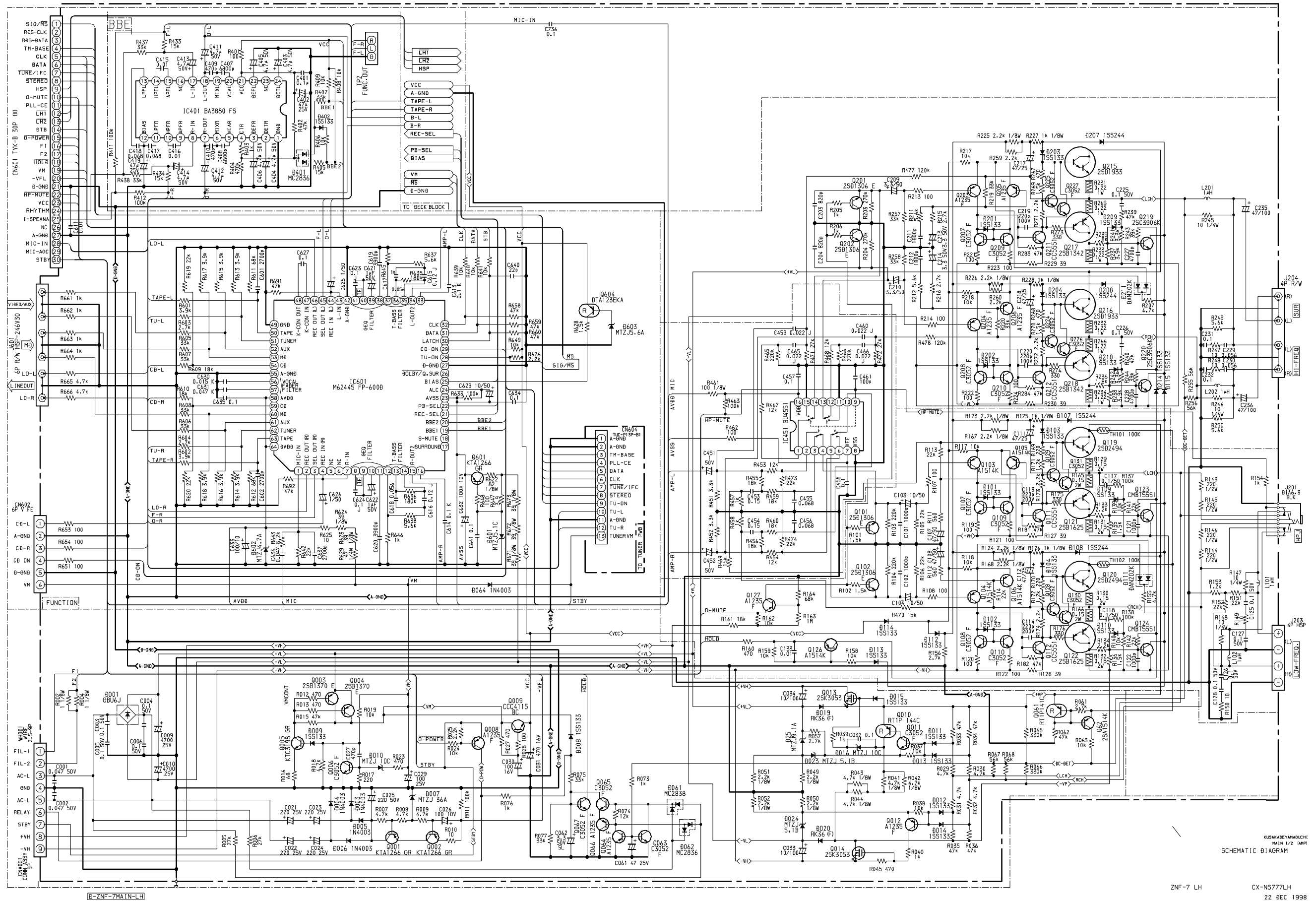
		85-NF5-618-010	CABLE,FFC 13P-1.25	..CD.F.....
		87-050-098-010	AC CODE ASSY,D
		87-099-811-010	PLUG,ADPTR CONV(K)	A.....
		87-A80-105-010	AC CORD ASSY,AZ	...D.....
		88-915-121-110	FF-CABLE, 15P 1.25	..CD.F.....
		8Z-NF7-625-010	PT,U1 ZNF-7
		8Z-NF7-626-010	PT,D ZNF-7
PT	1	8Z-NF7-622-010	PT,LH ZNF-7F.....
PT	1	8Z-NF7-623-010	PT,HR ZNF-7	...D.....
PT	1	8Z-NF7-624-010	PT,EZ ZNF-7	ABC.E.....
PT	101	8Z-NF7-621-010	PT,U ZNF-7
W	1	87-085-184-010	BUSHING, AC CORD (D)
W	1	87-085-185-010	BUSHING, AC CORD (E)	ABCDEF.....
W	1	87-085-189-010	BUSHING, CORD (U)
W	101	87-050-079-010	AC-CORD ASSY,E	ABC.EF.....
W	101	87-A80-110-010	AC CORD ASSY,U SPT-2W
		8Z-NF8-660-010	PT,SUB ZNF-8(D)
		87-NF5-203-010	GUIDE,FL	..CD.....
		87-NF6-205-010	GUIDE,LED	..CD.....
		8Z-NF7-201-010	GUIDE,FUNCTION	..CD.....
		8Z-NF7-202-010	GUIDE,PLAY	..CD.....
		8Z-NF7-203-010	GUIDE,CD	..CD.....
		87-067-579-010	TAPPING SCREW, BVT2+3-8	ABCDE.....
WH	1	87-A90-510-010	HLDR,WIRE 2.5-9P	ABCDE.....
		87-067-703-010	TAPPING SCREW, BVT2+3-10	ABCDE.....

ACCESSORIES / PACKAGE LIST - 1/1

NOTE: The characters in the suffix column indicate the part usage.

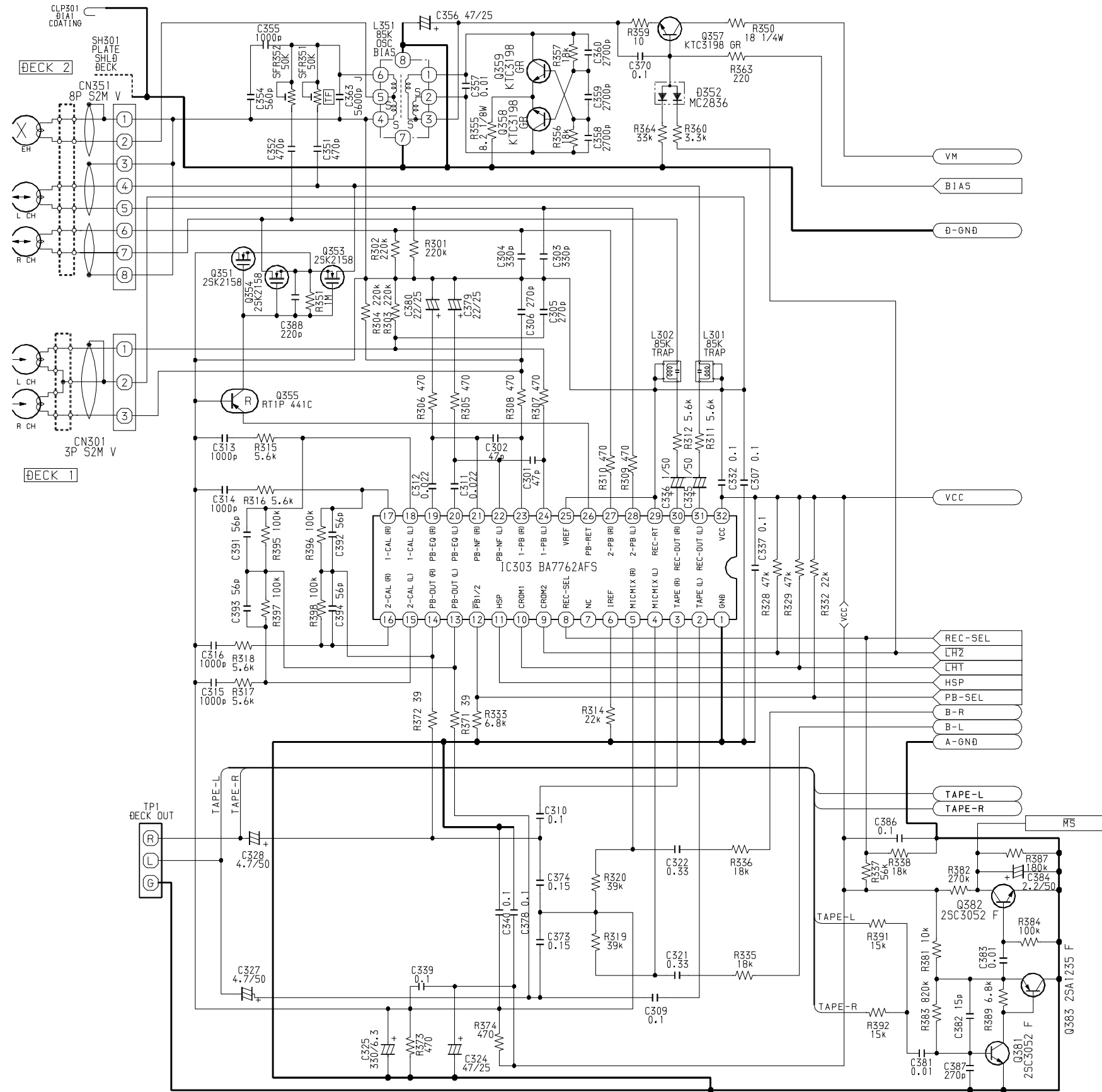
REF.NO	PARTS NO.	KANRI NO.	DESCRIPTION	SUFFIX
777HA		XX		D
779LH		XX		F
8Z-NF7-901-010			IB,H(ECA)M	
8Z-NF7-902-010			IB,LH(ESP)M	D
8Z-NF7-903-010			IB,U(ESF)M A777	
8Z-NF7-905-010			IB,K(E)E	A
8Z-NF7-906-010			IB,EZ(9L)E	B.E
8Z-NF7-908-010			IB,D(J)M	
8Z-NF7-911-010			IB,H(ECA)I	
8Z-NF7-913-010			IB,U(ESF)M A767	
8Z-NF7-916-010			IB,EZ(9L)M	C
8Z-NF7-917-010			IB,D(J)I	
8Z-NF7-912-010			IB,LH(P)KIT	F
8Z-NF7-922-010			IB,HA(KIT)M	
87-006-225-010			AM LOOP ANT NC2	
87-043-095-010			WIRE ANTENNA	
87-043-106-010			WIRE, FM ANT (Z)	ABC.E
87-043-115-010			ANT,FEEDER FM	D.F
87-A90-030-010			ANT,LOOP AM-NC C	ABCDEF
87-A90-054-010			ANT,LOOP AM-CON C	
87-A91-017-010			PLUG,CONVERSION JT-0476	
8Z-NF8-701-110			RC UNIT,RC-ZAS01	CD.F
8Z-NF8-702-010			RC UNIT,RC-ZAS01	AB..E

SCHEMATIC DIAGRAM - 1 (MAIN 1/2)



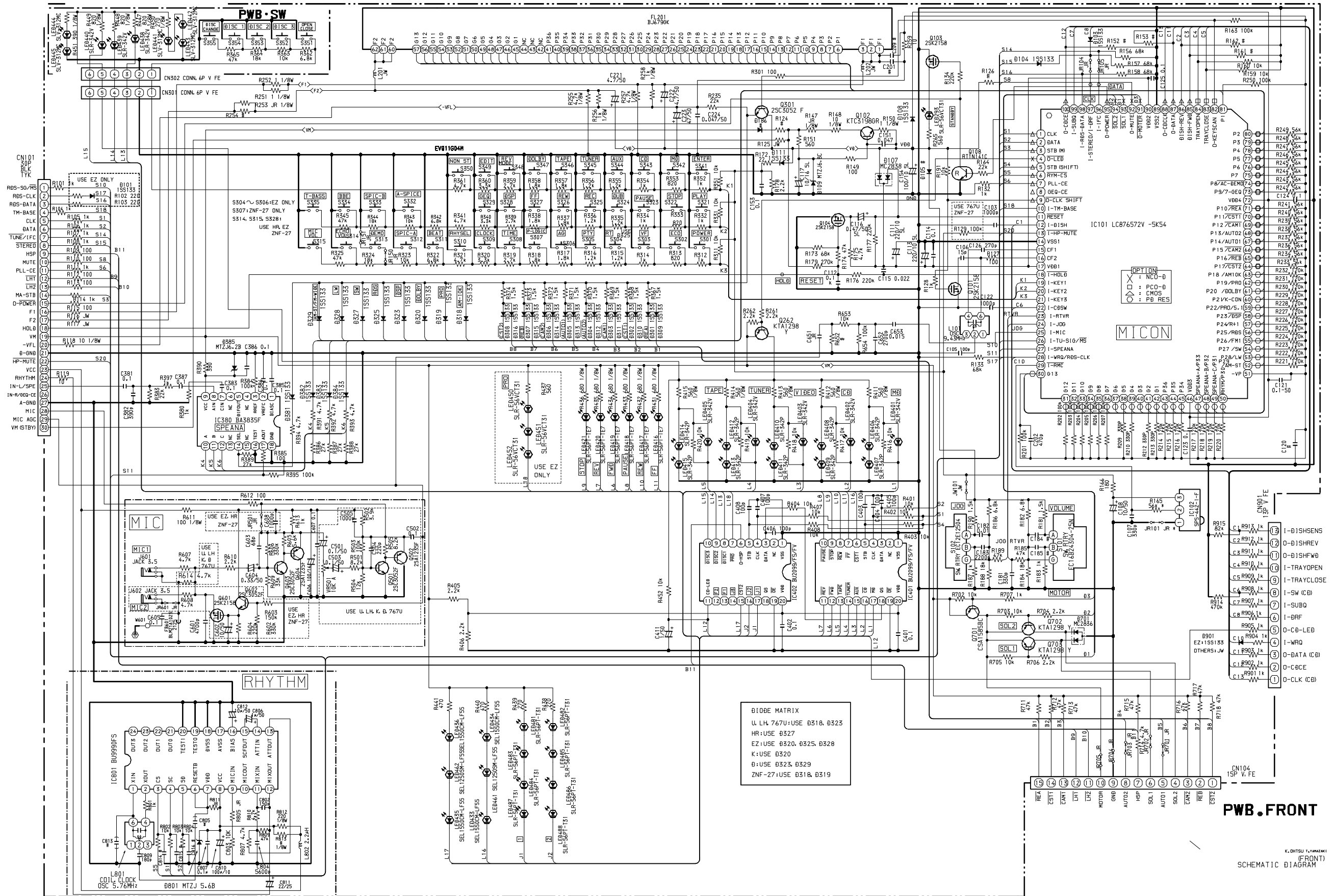
KUSAKABEYAMADUCHI
MAIN 1/2 UNP
SCHEMATIC DIAGRAM

SCHEMATIC DIAGRAM - 2 (MAIN 2/2)



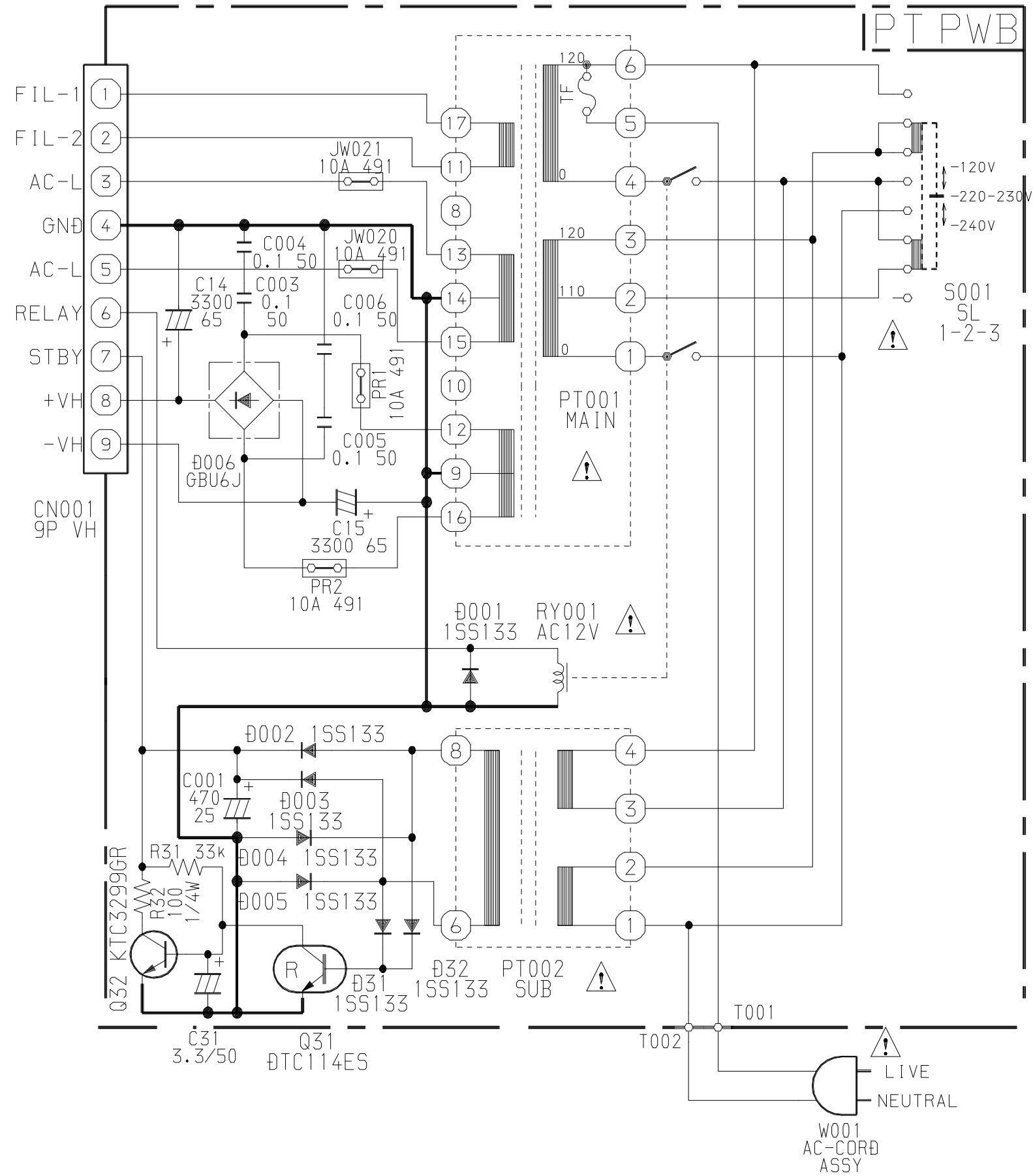
K. KOMATSU
 MAIN 2/2 (BECK)
 SCHEMATIC DIAGRAM

SCHEMATIC DIAGRAM - 3 (FRONT)

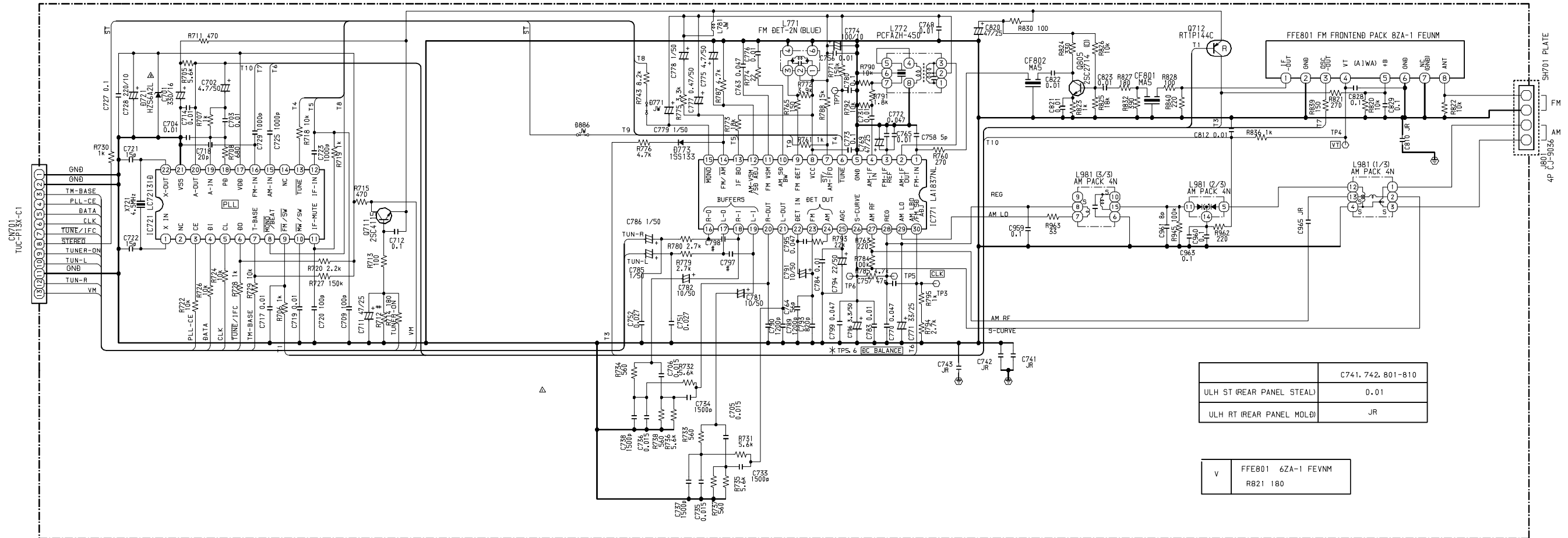


K. DHTSU T. YAMAZAKI
(FRONT)
SCHEMATIC DIAGRAM

SCHEMATIC DIAGRAM - 4 (PT)



SCHEMATIC DIAGRAM – 5 (TUNER)



サービス技術ニュース	
番号	連絡内容
G- -	
G- -	
G- -	

アイワ株式会社
AIWA CO.,LTD.

9420208

Tokyo Japan