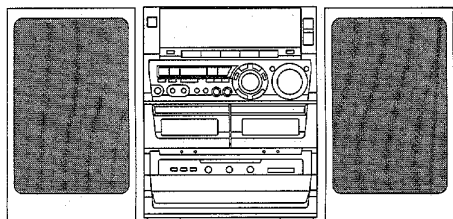


# aiwa



## NSX-S888 NSX-S898



COMPACT DISC STEREO  
CASSETTE RECEIVER

- BASIC TAPE MECHANISM : 2ZM-3MK2 PR7NM / YPR7NF
- BASIC CD MECHANISM : 4ZG-1 Z3RNDSHM / Z4RNDSHM

- TYPE : 888<HR,EZ,K>  
898<EZ>

### REVISION PUBLISHING

SYSTEM	CD CASSEIVER	SPEAKER	REMOTE CONTROLLER
NSX - S888	CX - NS888	SX - WNS888	RC - ZAS01
NSX - S898	CX - NS898	SX - WNH898	

- This Service Manual is the "Revision Publishing" and replaces "Simple Manual" NSX-S888 (HR,EZ,K)/898<EZ>, (S/M Code No. 09-993-408-0T2).
- If requiring information about the CD mechanism, see Service Manual of 4ZG-1 Z3RNDSHM / Z4RNDSHM, S/M Code No. 09-992-325-4N2.

## TABLE OF CONTENTS

SPECIFICATIONS .....	3
PROTECTION OF EYES FROM LASER BEAM DURING SERVICING .....	4
PRECAUTION TO REPLACE OPTICAL BLOCK .....	4
NOTE ON BEFORE STARTING REPAIR .....	5 ~ 6
ELECTRICAL MAIN PARTS LIST .....	7 ~ 12
CHIP RESISTOR PART CODE .....	13
TRANSISTOR ILLUSTRATION .....	14
BLOCK DIAGRAM - 1 (TUNER : HR) .....	15
BLOCK DIAGRAM - 2 (TUNER : EZ, K) .....	16
BLOCK DIAGRAM - 3 (MAIN / FRONT / PRO) .....	17 ~ 19
SCHEMATIC DIAGRAM - 1 (MAIN 1 / 2 : HR) .....	20 ~ 22
WIRING - 1 (MAIN 1 / 2 : HR) .....	23 ~ 24
WIRING - 2 (MAIN 1 / 2 : EZ, K) .....	25 ~ 26
SCHEMATIC DIAGRAM - 2 (MAIN 1 / 2 : EZ, K) .....	27 ~ 29
WIRING - 3 (FRONT) .....	30 ~ 32
SCHEMATIC DIAGRAM - 3 (FRONT) .....	33 ~ 35
SCHEMATIC DIAGRAM - 4 (PRO) .....	36 ~ 38
WIRING - 4 (PRO) .....	39 ~ 40
WIRING - 5 (TUNER : HR) .....	41 ~ 42
SCHEMATIC DIAGRAM - 5 (TUNER : HR) .....	43 ~ 44
WIRING - 6 (TUNER : EZ, K) .....	45 ~ 46
SCHEMATIC DIAGRAM - 6 (TUNER : EZ, K) .....	47 ~ 48
WIRING - 7 (PT : HR) .....	49
SCHEMATIC DIAGRAM - 7 (PT : HR) .....	50
WIRING - 8 (PT : EZ, K) .....	51
SCHEMATIC DIAGRAM - 8 (PT : EZ, K) .....	52
SCHEMATIC DIAGRAM - 9 (MAIN 2 / 2 : HR) .....	53 ~ 54
SCHEMATIC DIAGRAM - 10 (MAIN 2 / 2 : EZ, K) .....	55 ~ 56
WIRING - 9 (DECK) .....	57
IC BLOCK DIAGRAM .....	58 ~ 63
FL (BJ687GK-ZNF6) GRID ASSIGNMENT & ANODE CONNECTION .....	64 ~ 65
IC DESCRIPTION .....	66 ~ 67
ADJUSTMENT - 1 <TUNER / DECK / FRONT : EZ, K> .....	68
ADJUSTMENT - 2 <TUNER / DECK / FRONT : HR> .....	69 ~ 71
PRACTICAL SERVICE FIGURE .....	72
MECHANICAL EXPLODED VIEW 1 / 1 .....	73 ~ 74
MECHANICAL PARTS LIST 1 / 1 .....	75
TAPE MECHANISM EXPLODED VIEW 1 / 1 .....	76 ~ 77
TAPE MECHANISM PARTS LIST 1 / 1 .....	78
SPRING APPLICATION POSITION .....	79
SPEAKER DISASSEMBLY INSTRUCTIONS .....	80
SPEAKER PARTS LIST .....	81
ACCESSORIES / PACKAGE LIST .....	81
REFERENCE NAME LIST .....	82

# SPECIFICATIONS

## <FM Tuner section>

**Tuning range** 87.5 MHz to 108 MHz  
**Usable sensitivity(IHF)** HR : 13.2 dBf  
 EZ, K : 16.8 dBf  
**Antenna terminals** 75 ohms (unbalanced)

## <MW Tuner section>

**Tuning range** 531 kHz to 1602 kHz (9 kHz step)  
 530 kHz to 1710 kHz (10 kHz step)  
**Usable sensitivity** 350 uV/m  
**Antenna** Loop antenna

## <SW Tuner section><HR>

**Tuning range** 5.900 MHz to 17.900 MHz  
**Antenna** Wire antenna

## <LW Tuner section><EZ, K>

**Tuning range** 144 kHz to 290 kHz  
**Usable sensitivity(IHF)** 1400 uV/m  
**Antenna** Loop antenna

## <Amplifier section>

### Mid-high frequency amplifier

**Power output** EZ, K : 20 W + 20 W (6 ohms, T.H.D. 1%, 1 kHz)  
 Reference : 25 W + 25 W (6 ohms, T.H.D.10%, 1 kHz)  
 DIN MUSIC POWER: 40 W + 40 W  
 HR : 25 W + 25 W (1 kHz, T.H.D.1%, 6 ohms)  
 Reference : 30 W + 30 W (6 ohms, T.H.D.10%, 1 kHz)  
**Total harmonic distortion** 0.1% (10 W, 1 kHz, 6 ohms, DIN AUDIO)

### Low-high frequency amplifier

**Power output** EZ, K : 90 W + 90 W (6 ohms, T.H.D. 1%, 80 Hz)  
 Reference : 112 W + 112 W (6 ohms, T.H.D.10%, 80 Hz)  
 DIN MUSIC POWER: 180 W + 180 W  
 HR : 105 W + 105 W (70 Hz, T.H.D. 1%, 6 ohms)  
 Reference : 130 W + 130 W (6 ohms, T.H.D.10%, 70 Hz)  
**Total harmonic distortion** EZ, K : 0.1% (50 W, 80 Hz, 6 ohms, DIN AUDIO)  
 HR : 0.1% (55 W, 70 Hz, 6 ohms, DIN AUDIO)

### Inputs

VIDEO/AUX : 316 mV (adjustable)  
 MD : 316 mV (adjustable)  
 MIC1, MIC2 : 1 mV (10 kohms)

### Outputs

LINE OUT: 150 mV  
 SPEAKERS HIGH FREQ: accept speakers of 6 ohms or more  
 SPEAKERS LOW FREQ: accept speakers of 6 ohms or more  
 SURROUND SPEAKERS: accept speakers of 8 ohms to 16 ohms  
 PHONES (stereo jack) : accepts headphones of 32 ohms or more

## <Cassette deck section>

**Track format**  
**Frequency response**

4 tracks, 2 channels stereo  
 CrO<sub>2</sub> tape : 50 Hz - 16000 Hz  
 Normal tape : 50 Hz - 15000 Hz  
 AC bias

### Recording system

#### Heads

Deck 1 : playback head x 1  
 Deck 2 : Recording/Playback head x 1, erase head x 1

## <Compact disc player section>

**Laser** Semiconductor laser ( $\lambda=780$  nm)  
**D-A converter** 1 bit dual  
**Signal-to-noise ratio** 85 dB (1 kHz, 0 dB)  
**Harmonic distortion** 0.05 % (1 kHz, 0 dB)  
**Wow and flutter** Unmeasurable

## <Speaker system SX-WNH898 (For NSX-S898)<EZ>

**Cabinet type** 3 way, built-in subwoofer (magnetic shielded type)  
**Speakers** Subwoofer : 160 mm cone type  
 Full range : 120 mm cone type  
 Super tweeter: 20 mm ceramic type  
**Impedance** 6 ohms / 6 ohms  
**Output sound pressure level** 87 dB/W/m  
**Dimensions (W x H x D)** 240 x 324 x 246 mm  
**Weight** 6 kg

## <Speaker system SX-WNS888 (For NSX-S888)<HR,EZ,K>

**Cabinet type** 3 way, built-in subwoofer (magnetic shielded type)  
**Speakers** Subwoofer : 160 mm cone type  
 Full range : 120 mm cone type  
 Super tweeter: 20 mm ceramic type  
**Impedance** 6 ohms / 6 ohms  
**Output sound pressure level** 87 dB/W/m  
**Dimensions (W x H x D)** 240 x 345 x 300 mm  
**Weight** 5.5 kg

## <General>

### Power requirements

EZ, K : 230 V AC, 50 Hz  
 HR : 120 V/220-230 V/240 V AC (switchable), 50/60 Hz

### Power consumption

EZ, K : 185 W  
 HR : 200 W

### Dimensions of main unit (W x H x D)

260 x 324 x 346 mm

### Weight

11 kg

### Standby power consumption

HR : With power-economizing mode off : 29 W  
 EZ, K : With power-economizing mode off : 26 W  
 With power-economizing mode on : 1.5 W

• Design and specifications are subject to change without notice.

• The word "BBE" and the "BBE symbol" are trademarks of BBE Sound, Inc. Under license from BBE Sound, Inc.

## PROTECTION OF EYES FROM LASER BEAM DURING SERVICING

This set employs laser. Therefore, be sure to follow carefully the instructions below when servicing.

### WARNING!!

WHEN SERVICING, DO NOT APPROACH THE LASER EXIT WITH THE EYE TOO CLOSELY. IN CASE IT IS NECESSARY TO CONFIRM LASER BEAM EMISSION, BE SURE TO OBSERVE FROM A DISTANCE OF MORE THAN 30cm FROM THE SURFACE OF THE OBJECTIVE LENS ON THE OPTICAL PICK-UP BLOCK.



- Caution: Invisible laser radiation when open and interlocks defeated avoid exposure to beam.
- Advarsel: Usynlig laserstråling ved åbning, når sikkerhedsafbrydere er ude af funktion. Undgå udsættelse for stråling.

### VAROITUS!

Laiteen Käyttäminen muulla kuin tässä käyttöohjeessa mainitulla tavalla saattaa altistaa käyttäjän turvallisuusluokan 1 ylitävälle näkymättömälle lasersäteilylle.

### WARNING!

Om apparaten används på annat sätt än vad som specificeras i denna bruksanvisning, kan användaren utsättas för osynlig laserstråling, som överskrider gränsen för laserklass 1.

### CAUTION

Use of controls or adjustments or performance of procedures other than those specified herein may result in hazardous radiation exposure.

### ATTENTION

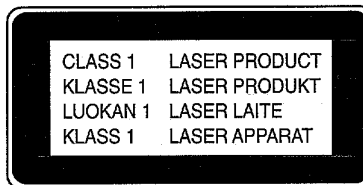
L'utilisation de commandes, réglages ou procédures autres que ceux spécifiés peut entraîner une dangereuse exposition aux radiations.

### ADVARSEL!

Usynlig laserstråling ved åbning, når sikkerhedsafbrydere er ude af funktion. Undgå udsættelse for stråling.

This Compact Disc player is classified as a CLASS 1 LASER product.

The CLASS 1 LASER PRODUCT label is located on the rear exterior.



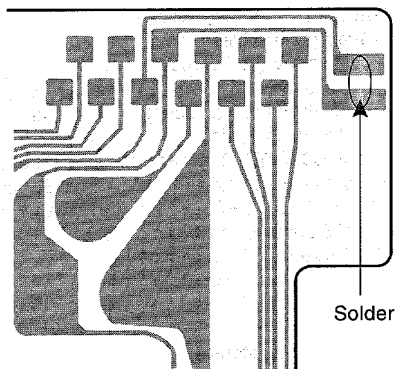
## Precaution to replace Optical block

### (KSS – 213F)

Body or clothes electrostatic potential could ruin laser diode in the optical block. Be sure ground body and workbench, and use care the clothes do not touch the diode.

- 1) After the connection, remove solder shown in right figure.

PICK-UP Assy P.C.B



## NOTE ON BEFORE STARTING REPAIR

### 1. Forced discharge of electrolytic capacitor of power supply block

When repair is going to be attempted in the set that uses relay circuit in the power supply block, electric potential is kept charged across the electrolytic capacitors (C101, 102) even though AC power cord is removed. If repair is attempted in this condition, secondary defect can occur.

In order to prevent the secondary trouble, perform the following measures before starting repair work.

#### Discharge procedure

- ① Remove the AC power cord.
- ② Connect a discharging resistor at an end of lead wire that has clips at both ends. Connect the other end of the lead wire to metal chassis.
- ③ Contact the other end of the discharging resistor to the positive (+) side (+VH) of C101. (For two seconds)
- ④ Contact the same end of the discharging resistor as step ③ to the negative (-) side (-VH) of C102 in the same way. (For two seconds)
- ⑤ Check that voltage across C101 and C102 has decreased to 1 V or less using a multimeter or an oscilloscope.

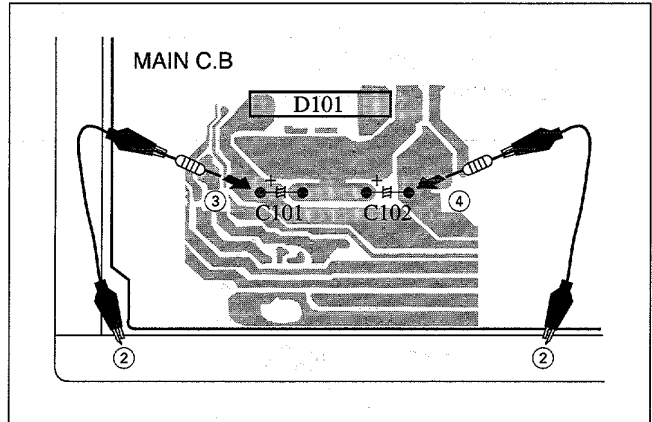


Fig-1

Select a discharging resistor referring to the following table.

Charging voltage (V) (C101, 102)	Discharging resistor ( $\Omega$ )	Rated power (W)	Parts number
25-48	100	3	87-A00-247-090
49-140	220	5	87-A00-232-090

Note: The reference numbers (C101, C102) of the electrolytic capacitors can change depending on the models. Be sure to check the reference numbers of the charging capacitors on schematic diagram before starting the discharging work.

### 2. Check items before exchanging the MICROCOMPUTER

Be sure to check the following items before exchanging the MICROCOMPUTER. Exchange the MICROCOMPUTER after confirming that the MICROCOMPUTER is surely defective.

#### 2-1. Regarding the HOLD terminal of the MICROCOMPUTER

When the HOLD terminal (INPUT) of the MICROCOMPUTER is "H", the MICROCOMPUTER is judged to be operating correctly. When this terminal is "L", the main power cannot be turned on. Therefore, be sure to check the terminal voltage of the HOLD terminal before exchange.

When the MICROCOMPUTER is not defective, the HOLD terminal can also go "L" when the POWER AMPLIFIER has any abnormalities that triggers the abnormality detection circuit on the MAIN C. B. that sets the HOLD terminal to "L".

#### • Good or no good judgement of the MICROCOMPUTER

- ① Turn on the AC main power.
- ② Confirm that the main power is turned on and the HOLD terminal of the MICROCOMPUTER keeps the "H" level or not.
- ③ When the HOLD terminal is "L" level, the abnormality detection circuit is judged to be working correctly and the MICROCOMPUTER is judged to be good.

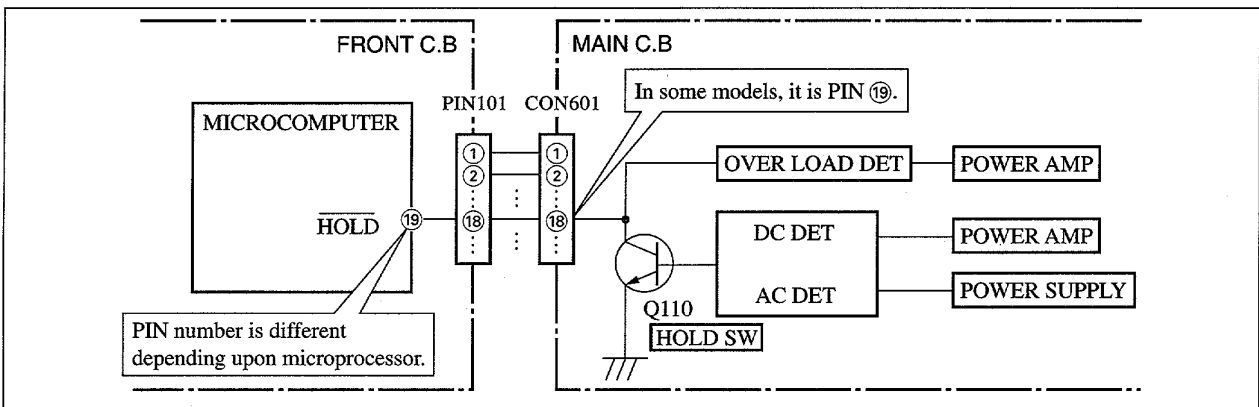


Fig-2-1

In such a case, check also if the POWER AMPLIFIER circuit or power supply circuit has any abnormalities or not.

## 2-2. Regarding reset

There are cases that the machine does not work correctly because the MICROCOMPUTER is not reset even though the AC power cord is re-inserted, or the software reset (pressing the STOP key + POWER key) is performed.

When the above described phenomenon occurs, it can lead to wrong judgement as if the MICROCOMPUTER is defective and to exchange the MICROCOMPUTER. In such a case, perform the forced-reset by the following procedure and check good or no good of the MICROCOMPUTER.

- ① Remove the AC power cord.

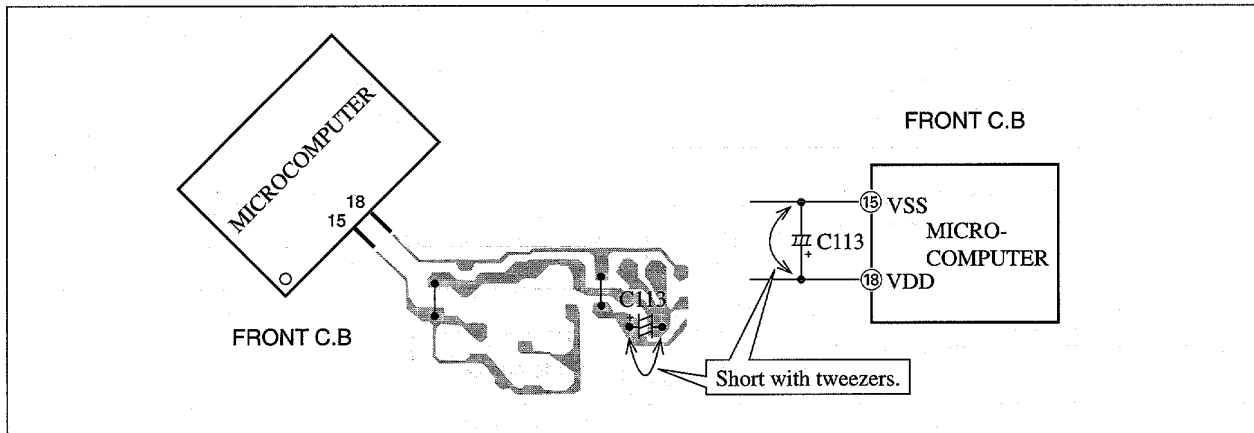


Fig-2-2

- ② Short both ends of the electrolytic capacitor C113 that is connected to VDD of the MICROCOMPUTER with tweezers.
- ③ Connect the AC power cord again. If the MICROCOMPUTER returns to the normal operation, the MICROCOMPUTER is good.

**Note:** The reference number or MICROCOMPUTER pin number of transistor (Q110) and electrolytic capacitor (C113) can change depending on the models. Be sure to check the reference numbers on schematic diagram before starting the discharging work.

## 2-3. Confirmation of soldering state of MICROCOMPUTER

Check the soldering state of the MICROCOMPUTER in addition to the above described procedures. Be sure to exchange the MICROCOMPUTER after surely confirming that the trouble is not caused by poor soldering but the MICROCOMPUTER itself.

# ELECTRICAL MAIN PARTS LIST

If can't understand for Description please kindly refer to "REFERENCE NAME LIST".

REF. NO.	PART NO.	KANRI NO.	DESCRIPTION	REF. NO.	PART NO.	KANRI NO.	DESCRIPTION
IC							
	8Z-NF7-605-010	C-IC, LC876572V-5K54		87-017-932-080		ZENER, MTJ6.2B	
	87-A20-951-010	IC, TSOP1838RF1		87-070-136-080		ZENER, MTZJ5.1B	
	87-A20-783-040	C-IC, BA7762AFS		87-A40-183-090		DIODE, RK36(F)	
	87-A21-023-040	C-IC, BA3835F		87-A40-002-080		ZENER, MTZJ5.1C	
	87-A21-022-040	C-IC, BA3880FS		87-A40-438-080		ZENER, MTZJ4.7A	
	87-A21-021-040	C-IC, BU2099FV		87-A40-234-080		ZENER, MTZJ5.6A	
	87-A21-031-040	C-IC, BU4551BF		87-017-931-080		ZENER, MTZJ5.6B	
	87-A21-202-040	C-IC, M62445AFP		87-017-149-080		ZENER, HZS6A2L	
	87-A20-613-040	C-IC, BU9262AFS					
	87-A21-051-040	C-IC, BU9990-03FS					
	87-070-127-110	IC, LC72131D					
	87-A20-913-010	IC, LA1837NL					
	87-020-454-010	IC, DN6851					
	87-A20-355-010	IC, CXA1553P<EZ, K>					
	87-A20-440-040	C-IC, BU1920FS					
TRANSISTOR				MAIN C.B			
	87-026-609-080	TR, KTA1266GR		C1	87-012-369-080	C-CAP, S 0.047-50F	
	87-026-610-080	TR, KTC3198GR		C2	87-012-369-080	C-CAP, S 0.047-50F	
	87-A30-076-080	C-TR, 2SC3052F		C3	87-012-368-080	C-CAP, S 0.1-50 F	
	87-A30-075-080	C-TR, 2SA1235F		C4	87-012-368-080	C-CAP, S 0.1-50 F	
	87-A30-234-080	TR, CSC4115BC		C5	87-012-368-080	C-CAP, S 0.1-50 F	
	87-026-245-080	TR, DTC114ES		C6	87-012-368-080	C-CAP, S 0.1-50 F	
	87-A30-198-080	TR, KTC3199GR		C9	87-016-658-090	CAP, E 4700-35 SMG	
	87-A30-087-080	C-FET, 2SK2158		C10	87-016-658-090	CAP, E 4700-35 SMG	
	89-213-702-010	TR, 2SB1370 (1.8W)		C21	87-010-385-080	CAP, ELECT 220-25V	
	87-A30-073-080	C-TR, RT1N 141C		C22	87-010-385-080	CAP, ELECT 220-25V	
	87-A30-190-080	TR, CC5551		C23	87-010-385-080	CAP, ELECT 220-25V	
	87-A30-138-010	TR, 2SB1625<EZ, K>		C24	87-010-385-080	CAP, ELECT 220-25V	
	87-A30-098-010	TR, FP 1016<HR>		C25	87-010-430-080	CAP, ELECT 100-63	
	87-A30-137-010	TR, 2SD2494<EZ, K>		C26	87-010-263-080	CAP, ELECT 100-10V	
	87-A30-097-010	TR, FN 1016<HR>		C27	87-010-197-080	CAP 0.01-25K B	
	87-A30-106-070	C-TR, CMBT5551		C29	87-010-247-080	CAP, ELECT 100-50V	
	87-A30-085-070	C-TR, CSA1362GR		C30	87-010-381-080	CAP, ELECT 330-16V	
	87-A30-255-010	TR, 2SB1342		C31	87-010-235-080	CAP, E 470-16 SME	
	87-A30-256-010	TR, 2SD1933		C61	87-010-260-080	CAP, E 47-25 SME	
	87-A30-105-080	C-TR, RT1P 441C		C62	87-010-496-080	CAP, E 3.3-50 SRE	
	87-A30-162-010	FET, 2SK2937		C91	87-010-401-080	CAP, ELECT 1-50V	
	87-A30-072-080	C-TR, RT1P 144C		C92	87-010-263-080	CAP, ELECT 100-10V	
	87-A30-074-080	C-TR, RT1P 141C		C93	87-010-380-080	CAP, ELECT 47-16V	
	87-A30-142-040	C-TR, DTA123EKA		C101	87-010-178-080	C-CAP, S 1000P-50 B	
	87-A30-107-070	C-TR, CMBT5401		C102	87-010-178-080	C-CAP, S 1000P-50 B	
	87-A30-196-080	TR, 2SC4115SRS		C123	87-010-176-080	C-CAP, S 680P-50J<EZ, K>	
	89-327-143-080	TR, 2SC2714 (0.1W)		C124	87-010-176-080	C-CAP, S 680P-50J<EZ, K>	
	87-A30-086-070	C-TR, CSD1306E		C125	87-012-368-080	C-CAP, S 0.1-50 F	
	87-026-463-080	TR, 2SA933SRS		C126	87-012-368-080	C-CAP, S 0.1-50 F	
	87-A30-269-040	C-FET, 2SJ461-T1<EZ, K>		C127	87-012-368-080	C-CAP, S 0.1-50 F	
	87-A30-104-080	C-TR, RT1N441C		C128	87-012-368-080	C-CAP, S 0.1-50 F	
	87-A30-257-080	C-TR, 2SD1306E<HR>		C129	87-010-191-080	C-CAP, S 0.015-50Z F<EZ, K>	
	87-A30-142-040	C-TR, DTA123EKA		C130	87-010-191-080	C-CAP, S 0.015-50Z F<EZ, K>	
	87-A30-200-080	TR, 2SA1585SR		C203	87-010-176-080	C-CAP, S 680P-50 J SL	
	87-A30-268-080	C-TR, 2SA1514K(S)<HR>		C204	87-010-176-080	C-CAP, S 680P-50 J SL	
	89-505-434-540	C-FET, 2SK543T-B(4/5)		C229	87-010-993-080	C-CAP, S 0.056-25 B	
DIODE				C230	87-010-993-080	C-CAP, S 0.056-25 B	
	87-020-465-080	DIODE, 1SS133 (110MA)		C231	87-010-196-080	CHIP CAPACITOR, 0.1-25	
	87-A40-549-090	DIODE, RBA-1002		C232	87-010-196-080	CHIP CAPACITOR, 0.1-25	
	87-070-274-080	DIODE, 1N4003 SEM		C233	87-010-190-080	C-CAP, S 0.01-50Z F<EZ, K>	
	87-A40-341-080	ZENER, MTZJ 36 A		C234	87-010-190-080	C-CAP, S 0.01-50Z F<EZ, K>	
	87-A40-345-080	ZENER, MTZJ10C		C235	87-016-285-080	CAP, E 47-100SME	
	87-A40-270-080	C-DIODE, MC2838		C236	87-016-285-080	CAP, E 47-100SME	
	87-A40-269-080	C-DIODE, MC2836		C237	87-010-322-080	C-CAP, S 100P-50J CH<EZ, K>	
	87-A40-004-080	ZENER, MTZJ16A		C238	87-010-322-080	C-CAP, S 100P-50J CH<EZ, K>	
	87-A40-509-080	ZENER, MTZJ6.8C		C301	87-010-318-080	C-CAP, S 47P-50 CH	
	87-A40-488-080	DIODE, 1SS244		C302	87-010-318-080	C-CAP, S 47P-50 CH	
	87-020-331-080	CHIP-DIODE, DAN202K		C303	87-012-157-080	C-CAP, S 330P-50 CH	
				C304	87-012-157-080	C-CAP, S 330P-50 CH	
				C305	87-012-157-080	C-CAP, S 330P-50 CH<HR>	
				C305	87-012-145-080	C-CAP, S 270P-50J CH<EZ, K>	
				C306	87-012-157-080	C-CAP, S 330P-50 CH<HR>	
				C306	87-012-145-080	C-CAP, S 270P-50J CH<EZ, K>	
				C307	87-010-196-080	CHIP CAPACITOR, 0.1-25	
				C311	87-010-198-080	CAP, CHIP 0.022	
				C312	87-010-198-080	CAP, CHIP 0.022	
				C313	87-010-178-080	C-CAP, S 1000P-50 KB<HR>	
				C313	87-010-179-080	C-CAP, S 1200P-50 KB<EZ, K>	
				C314	87-010-178-080	C-CAP, S 1000P-50 KB<HR>	

REF. NO.	PART NO.	KANRI NO.	DESCRIPTION	REF. NO.	PART NO.	KANRI NO.	DESCRIPTION
C314	87-010-179-080		C-CAP,S 1200P-50 KB<EZ,K>	C414	87-010-404-080		CAP, ELECT 4.7-50V
C315	87-010-178-080		C-CAP,S 1000P-50 KB	C415	87-010-197-080		CAP, CHIP 0.01 DM
C316	87-010-178-080		C-CAP,S 1000P-50 KB	C416	87-010-197-080		CAP, CHIP 0.01 DM
C317	87-012-142-080		C-CAP,S 0.33-16 ZF<EZ,K>	C417	87-010-956-080		CHIP-CAP,S 0.068-25B
C318	87-012-142-080		C-CAP,S 0.33-16 ZF<EZ,K>	C418	87-010-956-080		CHIP-CAP,S 0.068-25B
C319	87-012-141-080		C-CAP,S 0.22-16Z F<EZ,K>	C419	87-010-260-080		CAP, ELECT 47-25V
C320	87-012-141-080		C-CAP,S 0.22-16Z F<EZ,K>	C451	87-010-401-080		CAP, ELECT 1-50V
C321	87-012-142-080		CAP, S 0.33-16	C452	87-010-401-080		CAP, ELECT 1-50V
C322	87-012-142-080		CAP, S 0.33-16	C453	87-010-545-080		CAP, ELECT 0.22-50 SME
C324	87-010-260-080		CAP, ELECT 47-25V	C454	87-010-545-080		CAP, ELECT 0.22-50 SME
C325	87-010-370-080		CAP,E 330-6.3 SME	C455	87-010-546-080		CAP,E 0.33-50 SME<8K,9EZ>
C327	87-010-404-080		CAP, ELECT 4.7-50V	C456	87-010-546-080		CAP,E 0.33-50 SME<8K,9EZ>
C328	87-010-404-080		CAP, ELECT 4.7-50V	C457	87-010-196-080		CHIP CAPACITOR,0.1-25
C332	87-010-196-080		CHIP CAPACITOR,0.1-25	C458	87-010-196-080		CHIP CAPACITOR,0.1-25
C335	87-010-401-080		CAP, ELECT 1-50V	C459	87-A10-300-080		CAP,M 0.027-50 J
C336	87-010-401-080		CAP, ELECT 1-50V	C460	87-A10-300-080		CAP,M 0.027-50 J
C337	87-010-196-080		CHIP CAPACITOR,0.1-25	C461	87-A11-088-080		CAP,TC U 100P-50 J CH
C339	87-010-196-080		CHIP CAPACITOR,0.1-25	C465	87-A10-300-080		CAP,M 0.027-50 J
C340	87-010-196-080		CHIP CAPACITOR,0.1-25	C466	87-A10-300-080		CAP,M 0.027-50 J
C351	87-012-140-080		CAP 470P	C471	87-010-546-080		CAP,E 0.33-50M<8EZ,8HR>
C352	87-012-140-080		CAP 470P	C472	87-010-546-080		CAP,E 0.33-50M<8EZ,8HR>
C354	87-010-175-080		CAP 560P	C601	87-010-183-080		C-CAP,S 2700P-50 B
C355	87-012-349-080		C-CAP,S 1000P-50 CH	C602	87-010-183-080		C-CAP,S 2700P-50 B
C356	87-010-260-080		CAP, ELECT 47-25V	C605	87-010-318-080		C-CAP,S 47P-50 CH
C357	87-010-197-080		CAP, CHIP 0.01 DM	C606	87-010-318-080		C-CAP,S 47P-50 CH
C358	87-010-183-080		C-CAP,S 2700P-50 B	C607	87-010-318-080		C-CAP,S 47P-50 CH
C359	87-010-183-080		C-CAP,S 2700P-50 B	C608	87-010-318-080		C-CAP,S 47P-50 CH
C360	87-010-183-080		C-CAP,S 2700P-50 B	C611	87-010-197-080		C-CAP,S 0.01-25 KB
C363	87-A10-292-080		CAP,M 5600P-50 J	C612	87-010-322-080		C-CAP,S 100P-50 J CH
C370	87-010-196-080		CHIP CAPACITOR,0.1-25	C613	87-016-081-080		C-CAP,S 0.1-16 RK
C371	87-010-175-080		C-CAP,S 560P-50J SL<EZ,K>	C614	87-016-081-080		C-CAP,S 0.1-16 RK
C372	87-010-175-080		C-CAP,S 560P-50J SL<EZ,K>	C619	87-010-185-080		C-CAP,S 3900P-50 B
C373	87-016-083-080		C-CAP,S 0.15-16 KR<HR>	C620	87-010-185-080		C-CAP,S 3900P-50 B
C373	87-010-179-080		C-CAP,S 1200P-50KB<EZ,K>	C621	87-010-401-080		CAP, ELECT 1-50V
C374	87-016-083-080		C-CAP,S 0.15-16 KR<HR>	C622	87-010-401-080		CAP, ELECT 1-50V
C374	87-010-179-080		C-CAP,S 1200P-50KB<EZ,K>	C623	87-A10-773-080		CAP,M 0.10-50 J
C375	87-010-545-080		CAP,E 0.22-50M<EZ,K>	C624	87-A10-773-080		CAP,M 0.10-50 J
C376	87-010-545-080		CAP,E 0.22-50M<EZ,K>	C625	87-010-401-080		CAP, ELECT 1-50V
C378	87-010-196-080		CHIP CAPACITOR,0.1-25	C626	87-010-401-080		CAP, ELECT 1-50V
C379	87-010-382-080		CAP,E 22-25 SME<HR>	C627	87-010-196-080		CHIP CAPACITOR,0.1-25
C380	87-010-382-080		CAP,E 22-25 SME<HR>	C628	87-010-322-080		C-CAP,S 100P-50 J CH
C381	87-010-197-080		CAP, CHIP 0.01 DM	C629	87-010-405-080		CAP, ELECT 10-50V
C382	87-010-312-080		C-CAP,S 15P-50 CH<HR>	C630	87-010-213-080		C-CAP,S 0.015-50 B
C382	87-010-318-080		C-CAP,S 47P-50J CH<EZ,K>	C631	87-010-992-080		C-CAP,S 0.047-25 B
C383	87-010-197-080		CAP, CHIP 0.01 DM	C632	87-010-263-080		CAP, ELECT 100-10V
C384	87-010-402-080		CAP, ELECT 2.2-50V	C633	87-010-263-080		CAP, ELECT 100-10V
C386	87-010-196-080		CHIP CAPACITOR,0.1-25	C634	87-010-196-080		CHIP CAPACITOR,0.1-25
C385	87-010-184-080		C-CAP,S 3300P-50KB<EZ,K>	C635	87-010-196-080		CHIP CAPACITOR,0.1-25
C388	87-012-156-080		C-CAP,S 220P-50 CH	C636	87-010-992-080		C-CAP,S 0.047-25 B
C391	87-010-319-080		C-CAP,S 56P-50 J CH<HR>	C637	87-010-183-080		C-CAP,S 2700P-50 B
C391	87-012-145-080		C-CAP,S 270P-50 J<EZ,K>	C640	87-010-314-080		C-CAP,S 22P-50V
C392	87-010-319-080		C-CAP,S 56P-50 J CH<HR>	C641	87-010-196-080		CHIP CAPACITOR,0.1-25
C392	87-012-145-080		C-CAP,S 270P-50 J<EZ,K>	C669	87-010-322-080		C-CAP,S 100P-50 J CH<EZ,K>
C393	87-010-319-080		C-CAP,S 56P-50 J CH<HR>	C670	87-010-322-080		C-CAP,S 100P-50 J CH<EZ,K>
C393	87-012-145-080		C-CAP,S 270P-50 J<EZ,K>	C671	87-010-322-080		C-CAP,S 100P-50 J CH<EZ,K>
C394	87-010-319-080		C-CAP,S 56P-50 J CH<HR>	C672	87-010-322-080		C-CAP,S 100P-50 J CH<EZ,K>
C394	87-012-145-080		C-CAP,S 270P-50 J<EZ,K>	C677	87-010-196-080		C-CAP,S 0.1-25Z F<EZ,K>
C401	87-010-196-080		CHIP CAPACITOR,0.1-25	C678	87-010-196-080		C-CAP,S 0.1-25Z F<EZ,K>
C402	87-010-260-080		CAP, ELECT 47-25V	C701	87-010-263-080		CAP, ELECT 100-10V
C403	87-010-404-080		CAP, ELECT 4.7-50V	C702	87-010-196-080		CHIP CAPACITOR,0.1-25
C404	87-010-404-080		CAP, ELECT 4.7-50V	C703	87-010-319-080		C-CAP,S 56P-50 CH
C405	87-010-404-080		CAP, ELECT 4.7-50V	C704	87-010-319-080		C-CAP,S 56P-50 CH
C406	87-010-404-080		CAP, ELECT 4.7-50V	C705	87-012-393-080		C-CAP,S 0.22-16 R K
C407	87-010-188-080		CAP,CHIP 6800P	C706	87-010-197-080		CAP, CHIP 0.01 DM
C408	87-010-188-080		CAP,CHIP 6800P	C707	87-010-180-080		C-CER 1500P
C409	87-012-140-080		CAP 470P	C708	87-010-213-080		C-CAP,S 0.015-50 B
C410	87-012-140-080		CAP 470P	C709	87-010-213-080		C-CAP,S 0.015-50 B
C411	87-010-404-080		CAP, ELECT 4.7-50V	C710	87-010-197-080		CAP, CHIP 0.01 DM
C412	87-010-404-080		CAP, ELECT 4.7-50V	C711	87-010-181-080		CAP,CHIP S 1800P
C413	87-010-404-080		CAP, ELECT 4.7-50V	C712	87-010-196-080		CHIP CAPACITOR,0.1-25



REF. NO.	PART NO.	KANRI NO.	DESCRIPTION	REF. NO.	PART NO.	KANRI NO.	DESCRIPTION
C713	87-010-544-080		CAP, ELECT 0.1-50V	C116	87-010-493-040		CAP,E 0.47-50 GAS
C714	87-010-374-080		CAP, ELECT 47-10V	C117	87-010-498-040		CAP,E 10-16 GAS
C715	87-010-494-080		CAP, ELECT 1-50 M 5L SRE	C118	87-A11-242-040		CAP,E 220-10 M 5L SRM
C716	87-010-494-080		CAP, ELECT 1-50 M 5L SRE	C121	87-012-368-080		C-CAP,S 0.1-50 F
C717	87-010-183-080		C-CAP,S 2700P-50 B	C122	87-010-178-080		CHIP CAP 1000P
C718	87-010-183-080		C-CAP,S 2700P-50 B	C123	87-010-196-080		CHIP CAPACITOR,0.1-25
C731	87-010-560-080		CAP,E 10-50 GAS	C124	87-010-196-080		CHIP CAPACITOR,0.1-25
C732	87-010-196-080		CHIP CAPACITOR,0.1-25	C125	87-010-196-080		CHIP CAPACITOR,0.1-25
C733	87-010-196-080		CHIP CAPACITOR,0.1-25	C126	87-010-196-080		CHIP CAPACITOR,0.1-25
C734	87-012-156-080		C-CAP,S 220P-50 CH	C151	87-012-369-080		C-CAP,S 0.047-50F
C735	87-010-178-080		CHIP CAP 1000P	C153	87-010-196-080		CHIP CAPACITOR,0.1-25
C736	87-010-196-080		CHIP CAPACITOR,0.1-25	C154	87-010-264-040		CAP,E 100-10 5L
C738	87-010-318-080		C-CAP,S 47P-50 J CH	C181	87-012-157-080		C-CAP,S 330P-50 CH
C741	87-010-178-080		C-CAP,S 1000P-50 KB	C185	87-010-197-080		CAP, CHIP 0.01 DM
CN1	87-A60-739-010		CONN,13P JL-BT	C186	87-010-182-080		C-CAP,S 2200P-50 B
CN91	87-A60-109-010		CONN,2P V S2M-2W	C202	87-010-177-080		C-CAP S 820P-50J SL
CN201	87-A60-739-010		CONN,13P JL-BT	C209	87-012-157-080		C-CAP,S 330P-50 CH
CN301	87-099-827-010		CONN,3P S2M-3W	C211	87-012-157-080		C-CAP,S 330P-50 CH
CN351	87-099-832-010		CONN,8P S2M-8W	C213	87-012-157-080		C-CAP,S 330P-50 CH
CN601	87-099-719-010		CONN,30P TYK-B(X)	C214	87-012-157-080		C-CAP,S 330P-50 CH
CN602	87-A60-131-010		CONN,06P V FE	C221	87-010-421-040		CAP,E 4.7-50 5L
CN604	87-099-570-010		CONN,13P TUC-P13P-B1<HR>	C222	87-010-421-040		CAP,E 4.7-50 5L
CN605	87-A60-189-010		CONN,16P V TUC-P16P-B1<EZ,K>	C223	87-010-408-040		CAP,E 47-50 SME
CNA1	8Z-NF8-669-010		CONN ASSY,9P VH	C224	87-012-369-080		C-CAP,S 0.047-50F
FC602	88-906-701-110		FF-CABLE, 6P 1.25 700MM	C381	87-010-196-080		CHIP CAPACITOR,0.1-25
FB301	87-008-372-080		FLTR,EMIBL01 RN1<EZ,K>	C382	87-012-158-080		C-CAP,S 390P-50 CH
J201	87-A60-483-010		JACK,DIA6.3 BLK ST W/S KM	C383	87-010-196-080		CHIP CAPACITOR,0.1-25
J203	87-033-240-010		TERMINAL,4P HSP-324V1-05	C384	87-010-196-080		CHIP CAPACITOR,0.1-25
J204	87-A60-750-010		JACK,PIN 4P R/W BLUE	C385	87-010-196-080		CHIP CAPACITOR,0.1-25
J601	87-A60-402-010		JACK,PIN 6P R/W HSP-246V30	C386	87-010-196-080		CHIP CAPACITOR,0.1-25
L101	87-003-383-010		COIL,1UH-S	C387	87-010-196-080		CHIP CAPACITOR,0.1-25
L102	87-003-383-010		COIL,1UH-S	C401	87-010-196-080		CHIP CAPACITOR,0.1-25
L201	87-003-383-010		COIL,1UH-S	C402	87-010-196-080		CHIP CAPACITOR,0.1-25
L202	87-003-383-010		COIL,1UH-S	C403	87-010-319-080		C-CAP,S 56P-50 CH
L301	87-A50-049-010		COIL,TRAP 85K(COI)	C404	87-010-319-080		C-CAP,S 56P-50 CH
L302	87-A50-049-010		COIL,TRAP 85K(COI)	C405	87-010-319-080		C-CAP,S 56P-50 CH
L351	87-007-342-010		COIL,OSC 85K BIAS	C406	87-010-322-080		C-CAP,S 100P-50 CH
L701	87-005-448-080		COIL 220UH,K	C407	87-010-322-080		C-CAP,S 100P-50 CH
R143	87-A00-441-050		RES,270-1/2W J RP<EZ,K>	C408	87-010-322-080		C-CAP,S 100P-50 CH
R143	87-A00-442-050		RES,330-1/2W J RP<HR>	C601	87-010-186-080		CAP,CHIP 4700P
R144	87-A00-441-050		RES,270-1/2W J RP<EZ,K>	C602	87-015-699-040		CAP,E 10-50 7L
R144	87-A00-442-050		RES,330-1/2W J RP<HR>	C603	87-010-320-080		CHIP CAP 68P
R145	87-A00-441-050		RES,270-1/2W J RP<EZ,K>	C604	87-010-546-040		CAP,E 0.33-50
R145	87-A00-442-050		RES,330-1/2W J RP<HR>	C605	87-010-196-080		CHIP CAPACITOR,0.1-25
R146	87-A00-441-050		RES,270-1/2W J RP<EZ,K>	C606	87-010-112-080		CAP, ELECT 100-16V
R146	87-A00-442-050		RES,330-1/2W J RP<HR>	C607	87-010-196-080		CHIP CAPACITOR,0.1-25
RZ201	87-045-382-010		RELAY,OUAZ-SH-112L	C652	87-010-183-080		C-CAP,S 2700P-50 B
SFR301	87-A90-557-080		SFR,33K HHOKU<EZ,K>	C653	87-010-213-080		C-CAP,S 0.015-50 B
SFR302	87-A90-557-080		SFR,33K HHOKU<EZ,K>	C701	87-A10-818-040		CAP,E 100-16 7LSRA SERIES
SFR303	87-A90-557-080		SFR,33K HHOKU<EZ,K>	C702	87-A10-818-040		CAP,E 100-16 7LSRA SERIES
SFR304	87-A90-557-080		SFR,33K HHOKU<EZ,K>	C801	87-012-156-080		C-CAP,S 220P-50 CH
SFR305	87-A90-433-080		SFR,50K HNVZ6TLTA<EZ,K>	C802	87-010-176-080		C-CAP,S 680P-50 SL
SFR306	87-A90-433-080		SFR,50K HNVZ6TLTA<EZ,K>	C803	87-010-187-080		CAP CHIP S5600P
SFR351	87-A90-433-080		SFR,50K HNVZ6TLTA	C804	87-010-213-080		C-CAP,S 0.015-50 B
SFR352	87-A90-433-080		SFR,50K HNVZ6TLTA	C805	87-010-196-080		C-CAP,S 0.1-25 ZF
WH1	87-A90-510-010		HLDR,WIRE 2.5-9P	C806	87-010-401-040		CAP,E 1-50 SME
				C809	87-012-155-080		C-CAP 180P-50CH
				C810	87-010-263-040		CAP,E 100-10
				C811	87-010-382-080		CAP, ELECT 22-25V
				C812	87-010-405-040		CAP,E 10-50
FRONT C.B							
C103	87-010-178-080		CHIP CAP 1000P	CN101	87-099-720-010		CONN,30P TYK-B(P)
C105	87-010-316-080		C-CAP,S 33P-50 CH	CN104	87-A60-140-010		CONN,15P V FE
C106	87-010-311-080		CAP 12P	CN301	87-A60-131-010		CONN,6P V FE
C107	87-012-157-080		C-CAP,S 330P-50 CH	CN901	87-099-030-010		CONN,13P 6216H
C108	87-010-405-040		CAP,E 10-50	FB601	87-A50-190-080		C-COIL,S BLM21A102S
C111	87-010-322-080		C-CAP,S 100P-50<EZ,K>				
C112	87-016-081-080		C-CAP,S 0.1-16 RK	FC104	88-915-171-110		FF-CABLE,15P 1.25 170MM
C113	87-A11-242-040		CAP,E 220-10 M 5L SRM	FC301	88-906-301-110		FF-CABLE,6P-1.25
C114	87-010-196-080		CHIP CAPACITOR,0.1-25	FC901	88-913-551-110		FF-CABLE,13P 1.25 550MM
C115	87-010-198-080		CAP, CHIP 0.022	FL201	8Z-NF6-601-010		FL,BJ687GK-ZNF6
				J601	87-A60-651-010		JACK,3.5MONO

REF. NO.	PART NO.	KANRI NO.	DESCRIPTION	REF. NO.	PART NO.	KANRI NO.	DESCRIPTION
J602	87-A60-651-010		JACK, 3.5MONO	S342	87-A91-024-080		SW,TACT KSH0611BT
L101	87-A50-333-010		COIL,OSC 9.43MHZ	S343	87-A91-024-080		SW,TACT KSH0611BT
L801	87-A50-093-010		COIL,CLOCK 5.76MHZ	S344	87-A91-024-080		SW,TACT KSH0611BT
L802	87-005-847-080		COIL,2.2uH K CECS	S345	87-A91-024-080		SW,TACT KSH0611BT
LED293	87-A40-589-040		LED,SLR-56VCT31 RED	S346	87-A91-024-080		SW,TACT KSH0611BT
LED401	87-A40-317-080		LED,SLR-342VCT31 RED				
LED402	87-A40-317-080		LED,SLR-342VCT31 RED				
LED403	87-A40-317-080		LED,SLR-342VCT31 RED				
LED404	87-A40-317-080		LED,SLR-342VCT31 RED				
LED405	87-A40-317-080		LED,SLR-342VCT31 RED				
LED406	87-017-350-080		LED,SEL1550CM				
LED407	87-017-350-080		LED,SEL1550CM				
LED408	87-017-350-080		LED,SEL1550CM				
LED409	87-017-350-080		LED,SEL1550CM				
LED410	87-017-350-080		LED,SEL1550CM				
LED411	87-017-350-080		LED,SEL1550CM				
LED412	87-017-350-080		LED,SEL1550CM				
LED413	87-017-350-080		LED,SEL1550CM				
LED414	87-017-350-080		LED,SEL1550CM				
LED415	87-017-350-080		LED,SEL1550CM				
LED416	87-A40-607-080		LED,SLR-56PTT7 PG				
LED417	87-A40-607-080		LED,SLR-56PTT7 PG				
LED418	87-A40-607-080		LED,SLR-56PTT7 PG				
LED419	87-A40-607-080		LED,SLR-56PTT7 PG				
LED420	87-A40-607-080		LED,SLR-56PTT7 PG				
LED421	87-A40-607-080		LED,SLR-56PTT7 PG				
LED433	87-A40-563-010		LED,SEL6515C-LF62 PGRN				
LED434	87-A40-563-010		LED,SEL6515C-LF62 PGRN				
LED435	87-A40-563-010		LED,SEL6515C-LF62 PGRN				
LED436	87-A40-563-010		LED,SEL6515C-LF62 PGRN				
LED461	87-A40-564-010		LED,SEL6215S-LF62 RED				
LED462	87-A40-564-010		LED,SEL6215S-LF62 RED				
LED481	87-A40-619-040		LED,SLR-56PT-T31-W GRN				
LED482	87-A40-619-040		LED,SLR-56PT-T31-W GRN				
LED483	87-A40-619-040		LED,SLR-56PT-T31-W GRN				
LED484	87-A40-619-040		LED,SLR-56PT-T31-W GRN				
LED485	87-A40-619-040		LED,SLR-56PT-T31-W GRN				
LED486	87-A40-619-040		LED,SLR-56PT-T31-W GRN				
LED487	87-A40-619-040		LED,SLR-56PT-T31-W GRN				
LED488	87-A40-619-040		LED,SLR-56PT-T31-W GRN				
S101	87-A90-535-010		SW,RTRY EC16B24304	C706	87-A10-592-080		C-CAP,S 0.015-50 J B<HR>
S102	87-A90-982-010		SW,RTRY RE0121-30	C709	87-012-195-080		C-CAP,U 100P-50CH
S301	87-A91-024-080		SW,TACT KSH0611BT	C711	87-010-553-080		CAP,E 47-16 M 5L<HR>
S302	87-A91-024-080		SW,TACT KSH0611BT	C711	87-010-260-080		CAP,ELECT 47-25V<EZ,K>
S303	87-A91-024-080		SW,TACT KSH0611BT	C712	87-010-831-080		C-CAP,U,0.1-16F
S304	87-A91-024-080		SW,TACT KSH0611BT<EZ,K>	C713	87-012-286-080		CAP,U 0.01-25<EZ,K>
S305	87-A91-024-080		SW,TACT KSH0611BT<EZ,K>	C714	87-012-286-080		CAP,U 0.01-25
S306	87-A91-024-080		SW,TACT KSH0611BT<EZ,K>	C715	87-012-195-080		C-CAP,U 100P-50CH
S308	87-A91-024-080		SW,TACT KSH0611BT	C717	87-012-286-080		CAP,U 0.01-25
S309	87-A91-024-080		SW,TACT KSH0611BT	C719	87-012-286-080		CAP,U 0.01-25
S310	87-A91-024-080		SW,TACT KSH0611BT	C720	87-012-195-080		C-CAP,U 100P-50CH
S311	87-A91-024-080		SW,TACT KSH0611BT	C721	87-012-176-080		CAP,15P
S312	87-A91-024-080		SW,TACT KSH0611BT	C722	87-012-176-080		CAP,15P
S313	87-A91-024-080		SW,TACT KSH0611BT	C723	87-012-274-080		CHIP CAP,U 1000P-50B
S314	87-A91-024-080		SW,TACT KSH0611BT	C725	87-012-274-080		CHIP CAP,U 1000P-50B<HR>
S315	87-A91-024-080		SW,TACT KSH0611BT	C725	87-018-131-080		CAP,TC U 1000P-50 KB<EZ,K>
S321	87-A91-024-080		SW,TACT KSH0611BT	C727	87-010-196-080		CHIP CAPACITOR,0.1-25
S322	87-A91-024-080		SW,TACT KSH0611BT	C728	87-010-248-080		CAP,ELECT 220-10V
S323	87-A91-024-080		SW,TACT KSH0611BT	C729	87-012-274-080		CHIP CAP,U 1000P-50B
S324	87-A91-024-080		SW,TACT KSH0611BT	C731	87-012-286-080		CAP,U 0.01-25
S325	87-A91-024-080		SW,TACT KSH0611BT	C733	87-010-987-080		C-CAP,S 1500P-50 CH<HR>
S326	87-A91-024-080		SW,TACT KSH0611BT	C733	87-012-280-080		C-CAP,U 3300P-50 KB<EZ,K>
S327	87-A91-024-080		SW,TACT KSH0611BT	C734	87-010-987-080		C-CAP,S 1500P-50 CH<HR>
S328	87-A91-024-080		SW,TACT KSH0611BT	C734	87-012-280-080		C-CAP,U 3300P-50 KB<EZ,K>
S329	87-A91-024-080		SW,TACT KSH0611BT	C735	87-010-987-080		C-CAP,S 1500P-50 CH<HR>
S332	87-A91-024-080		SW,TACT KSH0611BT	C736	87-010-987-080		C-CAP,S 1500P-50 CH<HR>
S333	87-A91-024-080		SW,TACT KSH0611BT	C737	87-A10-592-080		C-CAP,S 0.015-50 J B<HR>
S334	87-A91-024-080		SW,TACT KSH0611BT	C738	87-A10-592-080		C-CAP,S 0.015-50 J B<HR>
S335	87-A91-024-080		SW,TACT KSH0611BT	C751	87-010-220-080		C-CAP,S 0.018-25KB<HR>
S341	87-A91-024-080		SW,TACT KSH0611BT	C752	87-010-220-080		C-CAP,S 0.018-25KB<HR>

REF. NO.	PART NO.	KANRI NO.	DESCRIPTION	REF. NO.	PART NO.	KANRI NO.	DESCRIPTION
C752	87-012-282-080		C-CAP,U 4700P-50 KB<EZ,K>	C949	87-A10-039-080		C-CAP,U 470P-50 J CH<EZ,K>
C753	87-012-195-080		C-CAP,U 100P-50 J CH<EZ,K>	C950	87-014-073-080		CAP,PP 4700P-100J<HR>
C755	87-012-286-080		CAP,U 0.01-25<EZ,K>	C952	87-012-286-080		C-CAP,U 0.01-25 KB
C756	87-012-286-080		CAP,U 0.01-25	C953	87-012-286-080		C-CAP,U 0.01-25 KB<HR>
C757	87-012-188-080		C-CAP,U 47P-50 CH	C954	87-012-358-080		C-CAP,S 0.47-10 ZF<HR>
C758	87-012-167-080		C-CAP,U 5P-50 CH	C956	87-010-263-080		CAP,E 100-10M 11L<HR>
C761	87-010-196-080		C-CAP,S 0.1-25 ZF<EZ,K>	C958	87-010-197-080		C-CAP,S 0.01-25 KB<EZ,K>
C762	87-012-286-080		CAP,U 0.01-25<EZ,K>	C959	87-010-831-080		C-CAP,U 0.1-16 ZF
C763	87-010-829-080		CAP,U 0.047-16	C960	87-012-350-080		C-CAP,1-25 ZF<HR>
C765	87-012-286-080		CAP,U 0.01-25	C960	87-010-196-080		CHIP CAPACITOR,0.1-25<EZ,K>
C766	87-010-197-080		C-CAP,S 0.01-25 KB<EZ,K>	C962	87-010-401-080		CAP,E 1-50 M 11L SME<EZ,K>
C768	87-012-286-080		CAP,U 0.01-25	CF801	87-008-261-010		FILTER, SFE10.7MA5-A<HR>
C769	87-010-260-080		CAP,ELECT 47-25V	CF801	87-008-423-010		FLTR,CF SFE10.7MS3G-A<EZ,K>
C770	87-010-829-080		CAP,U 0.047-16	CF802	87-008-261-010		FILTER, SFE10.7MA5-A<HR>
C771	87-010-383-080		CAP,ELECT 33-25V	CF802	82-785-747-010		CF,MS2 GHY R<EZ,K>
C772	87-010-829-080		CAP,U 0.047-16	CN701	87-A60-700-010		CONN,13P H GRY TUC-P13X-C1<HR>
C773	87-010-196-080		CHIP CAPACITOR,0.1-25	CN701	87-A60-650-010		CONN,16P H GRY TUC-P16X-C1<EZ,K>
C774	87-010-263-080		CAP,ELECT 100-10V	FFE801	A8-82A-190-030		82A-1 FEUNM<HR>
C775	87-010-404-080		CAP,ELECT 4.7-50V	FFE801	A8-62A-191-130		62A-1 FEENM<EZ,K>
C776	87-012-286-080		CAP,U 0.01-25<EZ,K>	J801	87-A60-703-010		TERMINAL,ANT3P CJ-9037<HR>
C777	87-010-400-080		CAP, ELECT 0.47-50V<HR>	J801	87-033-241-010		TERMINAL,ANT 2P AJ-2039<EZ,K>
C777	87-010-493-080		CAP,E 0.47-50 M 5L SRE<EZ,K>	J940	81-754-629-010		CONNECTOR XH 2P (UL)<HR>
C778	87-010-401-080		CAP,ELECT 1-50V	L771	87-A50-266-010		COIL,FM DET-2N(TOK)
C779	87-010-401-080		CAP,ELECT 1-50V	L772	87-A90-052-010		FLTR,PCFMT-450A(TOK)<HR>
C780	87-010-196-080		CHIP CAPACITOR,0.1-25	L772	87-A90-733-010		FLTR,PCFAZH-450(TOK)<EZ,K>
C781	87-010-405-080		CAP,ELECT 10-50V	L781	87-005-847-010		COIL,2.2UH K CECS<EZ,K>
C782	87-010-405-080		CAP,ELECT 10-50V	L791	87-A50-027-010		COIL,1 POLE MPX(TOK)<EZ,K>
C783	87-012-286-080		CAP,U 0.01-25	L792	87-A50-027-010		COIL,1 POLE MPX(TOK)<EZ,K>
C784	87-012-286-080		CAP,U 0.01-25	L832	87-005-847-080		COIL,2.2UH K CECS<EZ,K>
C785	87-010-494-080		CAP, E 1-50M 5L<HR>	L851	87-005-847-080		COIL,2.2UH K CECS<EZ,K>
C785	87-010-401-080		CAP,ELECT 1-50V<EZ,K>	L941	87-A50-022-010		COIL,ANT SW(COI)7.96MHZ<HR>
C786	87-010-494-080		CAP, E 1-50M 5L<HR>	L941	87-A50-020-010		COIL,ANT LW(COI)252KHZ<EZ,K>
C786	87-010-401-080		CAP,ELECT 1-50V<EZ,K>	L942	87-A50-173-010		COIL,OSC SW-N(COI)<HR>
C787	87-012-275-080		C-CAP,U 1200P-50 B<EZ,K>	L942	87-A50-019-010		COIL,OSC LW(COI) 856KHZ<EZ,K>
C788	87-012-275-080		C-CAP,U 1200P-50 B<EZ,K>	L943	87-A50-432-010		COIL,1MH K CW<HR>
C789	87-012-275-080		C-CAP,U 1200P-50 B	L944	87-A50-159-010		COIL,10MH K C2B<HR>
C790	87-012-275-080		C-CAP,U 1200P-50 B	L981	88-NF8-625-110		COIL,AM PACK 3N(TOK)<HR>
C791	87-010-405-080		CAP,ELECT 10-50V	L981	87-NF4-651-110		COIL,AM PACK 2N(TOM)<EZ,K>
C793	87-012-273-080		C-CAP,U 820P-50 B	TC941	87-011-220-080		TRIMMER,CER 20P 6.15X5.9<HR>
C794	87-010-406-080		CAP,ELECT 22-50	TC942	87-011-164-010		TRIMMER,CER30P4.5X3.9VCT31<EZ,K>
C795	87-010-596-080		CAP,S 0.047-16	TC943	87-011-221-080		TRIMMER,CER 30P 6.15X5.9<HR>
C796	87-010-403-080		CAP,ELECT 3.3-50V	X721	87-A70-061-010		VIB,XTAL 4.500MHZ CSA-309
C797	87-012-276-080		C-CAP,U 1500P-50 KB<EZ,K>	X771	87-030-354-010		VIB,CER 450.0KHZ BFU C<HR>
C798	87-012-276-080		C-CAP,U 1500P-50 KB<EZ,K>	X851	87-A70-091-010		VIB,XTAL 4.332MHZ CSA-309<EZ,K>
C799	87-010-829-080		CAP,U 0.047-16				
C812	87-012-286-080		CAP,U 0.01-25	PRO C.B			
C814	87-012-286-080		CAP,U 0.01-25<EZ,K>	C203	87-010-408-080		CAP, ELECT 47-50M 11L SME
C820	87-010-260-080		CAP,ELECT 47-25V	C204	87-010-408-080		CAP, ELECT 47-50M 11L SME
C821	87-012-286-080		CAP,U 0.01-25	C207	87-010-408-080		CAP, ELECT 47-50V
C822	87-012-286-080		CAP,U 0.01-25	C208	87-010-408-080		CAP, ELECT 47-50V
C823	87-012-286-080		CAP,U 0.01-25	C209	87-010-322-080		C-CAP,S 100P-50 J CH
C828	87-010-196-080		CHIP CAPACITOR,0.1-25	C210	87-010-322-080		C-CAP,S 100P-50 J CH
C829	87-010-196-080		CHIP CAPACITOR,0.1-25	C211	87-010-260-080		CAP, ELECT 47-25V
C859	87-012-286-080		C-CAP,U 0.01-25 KB<EZ,K>	C212	87-010-260-080		CAP, ELECT 47-25V
C861	87-012-199-080		C-CAP,U 220P-50 J CH<EZ,K>	C213	87-A10-812-080		C-CAP,S 220P-200 J CH
C862	87-012-199-080		C-CAP,U 220P-50 J CH<EZ,K>	C214	87-A10-812-080		C-CAP,S 220P-200 J CH
C863	87-012-270-080		C-CAP,U 470P-50 KB<EZ,K>	C219	87-A10-712-080		C-CAP,S 0.22-50 ZF
C864	87-010-405-080		CAP,E 10-50 M 11L SME<EZ,K>	C220	87-A10-712-080		C-CAP,S 0.22-50 ZF
C865	87-010-196-080		C-CAP,S 0.1-25 ZF<EZ,K>	C221	87-010-178-080		CHIP CAP 1000P
C866	87-010-405-080		CAP,E 10-50 M 11L SME<EZ,K>	C222	87-010-178-080		CHIP CAP 1000P
C867	87-012-286-080		C-CAP,U 0.01-25 KB<EZ,K>	C299	87-010-197-080		C-CAP,S 0.01-25 K B
C868	87-012-184-080		C-CAP,U 33P-50 J CH<EZ,K>	C304	87-010-403-080		CAP, ELECT 3.3-50V
C869	87-012-180-080		C-CAP,U 22P-50 J CH<EZ,K>	C306	87-010-183-080		C-CAP,S 2700P-50 K B<HR>
C940	87-012-286-080		C-CAP,U 0.01-25 KB	C306	87-010-182-080		C-CAP,S 2200P-50 K B<EZ,K>
C941	87-012-180-080		C-CAP,U 22P-50 J CH<HR>	C308	87-010-403-080		CAP, ELECT 3.3-50V
C942	87-012-172-080		C-CAP,U 10P-50 D CH<EZ,K>	C310	87-010-322-080		C-CAP,S 100P-50 J CH
C943	87-012-286-080		C-CAP,U 0.01-25 KB<HR>	C312	87-A10-946-080		C-CAP,S 220P-100 J CH
C944	87-014-051-080		CAP,PP 560P-100 J PL<HR>	C314	87-010-260-080		CAP, ELECT 47-25V
C945	87-012-286-080		C-CAP,U 0.01-25 KB<HR>	C320	87-012-368-080		C-CAP,S 0.1-50 F
C947	87-012-286-080		C-CAP,U 0.01-25 KB	C322	87-010-186-080		CAP,CHIP 4700P-50 K B

REF. NO.	PART NO.	KANRI NO.	DESCRIPTION
C403	87-010-403-080		CAP, ELECT 3.3-50V
C405	87-010-183-080		C-CAP,S 2700P-50KB<HR>
C405	87-010-182-080		C-CAP,S 2200P-50KB<EZ,K>
C407	87-010-403-080		CAP, ELECT 3.3-50
C409	87-010-322-080		C-CAP,S 100P-50 J CH
C411	87-A10-946-080		C-CAP,S 220P-100 J CH
C413	87-010-260-080		CAP, ELECT 47-25V
C419	87-012-368-080		C-CAP,S 0.1-50 F
C421	87-010-186-080		C-CAP,S 4700P-50 K B
C501	87-016-299-080		CAP,E 10-100 SME
C502	87-012-368-080		C-CAP,S 0.1-50 F
C503	87-016-299-080		CAP,E 10-100 SME
CN101	87-A60-727-010		CONN,13P JL-R
CN102	87-A60-727-010		CONN,13P JL-R
R225	87-A00-262-080		RES,M/F 0.15-2W J
R226	87-A00-262-080		RES,M/F 0.15-2W J
R227	87-A00-262-080		RES,M/F 0.15-2W J
R228	87-A00-262-080		RES,M/F 0.15-2W J
R239	87-A00-262-080		RES,M/F 0.15-2W J
R242	87-A00-262-080		RES,M/F 0.15-2W J
R326	87-A00-258-080		RES,M/F 0.22-1W J
R328	87-A00-258-080		RES,M/F 0.22-1W J
R340	87-A00-258-080		RES,M/F 0.22-1W J
R427	87-A00-258-080		RES,M/F 0.22-1W J
R429	87-A00-258-080		RES,M/F 0.22-1W J
R441	87-A00-258-080		RES,M/F 0.22-1W J
TH201	87-A91-042-080		C-THMS,100K 55001
TH202	87-A91-042-080		C-THMS,100K 55001
TH302	87-A91-042-080		C-THMS,100K 55001
TH401	87-A91-042-080		C-THMS,100K 55001

PT C.B

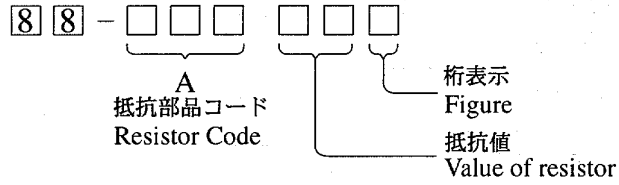
C1	87-010-387-080		CAP,E 470-25 SME
C3	87-A11-148-080		CAP,TC U 0.1-50 Z F
C4	87-A11-148-080		CAP,TC U 0.1-50 Z F
C5	87-A11-148-080		CAP,TC U 0.1-50 Z F
C6	87-A11-148-080		CAP,TC U 0.1-50 Z F
C8	87-016-520-090		CAP,E 3300-65<EZ,K>
C8	87-016-657-090		CAP,E 3300-71<HR>
C9	87-016-520-090		CAP,E 3300-65<EZ,K>
C9	87-016-657-090		CAP,E 3300-71<HR>
C31	87-010-403-080		CAP, ELECT 3.3-50V

REF. NO.	PART NO.	KANRI NO.	DESCRIPTION
CN1	87-A60-851-010		CONN,9P V VH
△ PR2	87-026-682-080		PROTECTOR,10A 60V491
△ PR3	87-026-682-080		PROTECTOR,10A 60V491
△ PR4	87-026-682-080		PROTECTOR,10A 60V491
△ PR5	87-026-682-080		PROTECTOR,10A 60V491
△ PT1	8Z-NF6-623-010		PT,ZNF-6 HR<HR>
△ PT1	8Z-NF6-624-010		PT,ZNF-6 EZ<EZ,K>
△ PT2	8Z-NF8-663-010		PT,SUB ZNF-8(H)<HR>
△ PT2	8Z-NF8-662-010		PT,SUB ZNF-8(EZ)<EZ,K>
△ RY1	87-A91-281-010		RELAY,AC DC12VOSA-SS-212DM5<HR>
△ RY2	87-A90-977-010		RELAY,AC12V DG12D1-0(M)<EZ,K>
△ S1	87-A90-165-010		SW,SL 1-2-3 SWS2301<HR>
△ T1	87-A60-317-010		TERMINAL, 1P MSC
△ T2	87-A60-317-010		TERMINAL, 1P MSC
DECK C.B			
CON105	87-099-756-019		CONN, 15P 9604 S F
SFR1	87-024-581-019		SFR,3.3K DIA 6H
SOL1	82-ZM1-618-410		SOL ASSY, 27
SOL2	82-ZM1-618-410		SOL ASSY, 27
SW1	87-A90-248-019		SW,MICRO ESE11SH2CXQ
SW2	87-A90-248-019		SW,MICRO ESE11SH2CXQ
SW3	87-A90-248-019		SW,MICRO ESE11SH2CXQ
SW4	87-036-110-010		SW,MICRO SPPB62
SW5	87-036-110-010		SW,MICRO SPPB62
SW6	87-036-110-010		SW,MICRO SPPB62
SW8	87-A90-248-019		SW,MICRO ESE11SH2CXQ
SW9	87-A90-248-019		SW,MICRO ESE11SH2CXQ
W001	82-ZM3-601-019		RBN,CORD,4P-75
HEAD-1 C.B			
HEAD-2 C.B			
CON351	87-NF6-616-010		CONN ASSY,8P-RPB

○チップ抵抗部品コード/CHIP RESISTOR PART CODE

チップ抵抗部品コードの成り立ち

Chip Resistor Part Coding



チップ抵抗  
Chip resistor

容量 Wattage	種類 Type	許容誤差 Tolerance	記号 Symbol	寸法/Dimensions (mm)			抵抗コード : A Resistor Code : A	
				外形/Form	L	W		t
1/16W	1005	± 5%	CJ		1.0	0.5	0.35	104
1/16W	1608	± 5%	CJ		1.6	0.8	0.45	108
1/10W	2125	± 5%	CJ		2	1.25	0.45	118
1/8W	3216	± 5%	CJ		3.2	1.6	0.55	128

# TRANSISTOR ILLUSTRATION



E C B

KTA1266GR  
KTC3198GR  
KTC3199GR



E C B

CC5551



E C B

2SA1585SR  
CSC4115BC



B C E

2SB1342  
2SB1370  
2SB1625  
2SD1933  
2SD2494  
FN1016  
FP1016



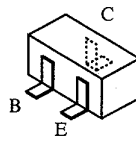
E C B

2SA933SRS  
2SC4115SRS  
DTC114ES



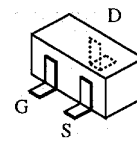
G D S

2SK2937



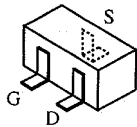
B E C

2SA1235F  
2SA1514K  
2SC2714  
2SC3052F  
2SD1306E  
CSA1362GR  
CSD1306  
CMBT5401



G S D

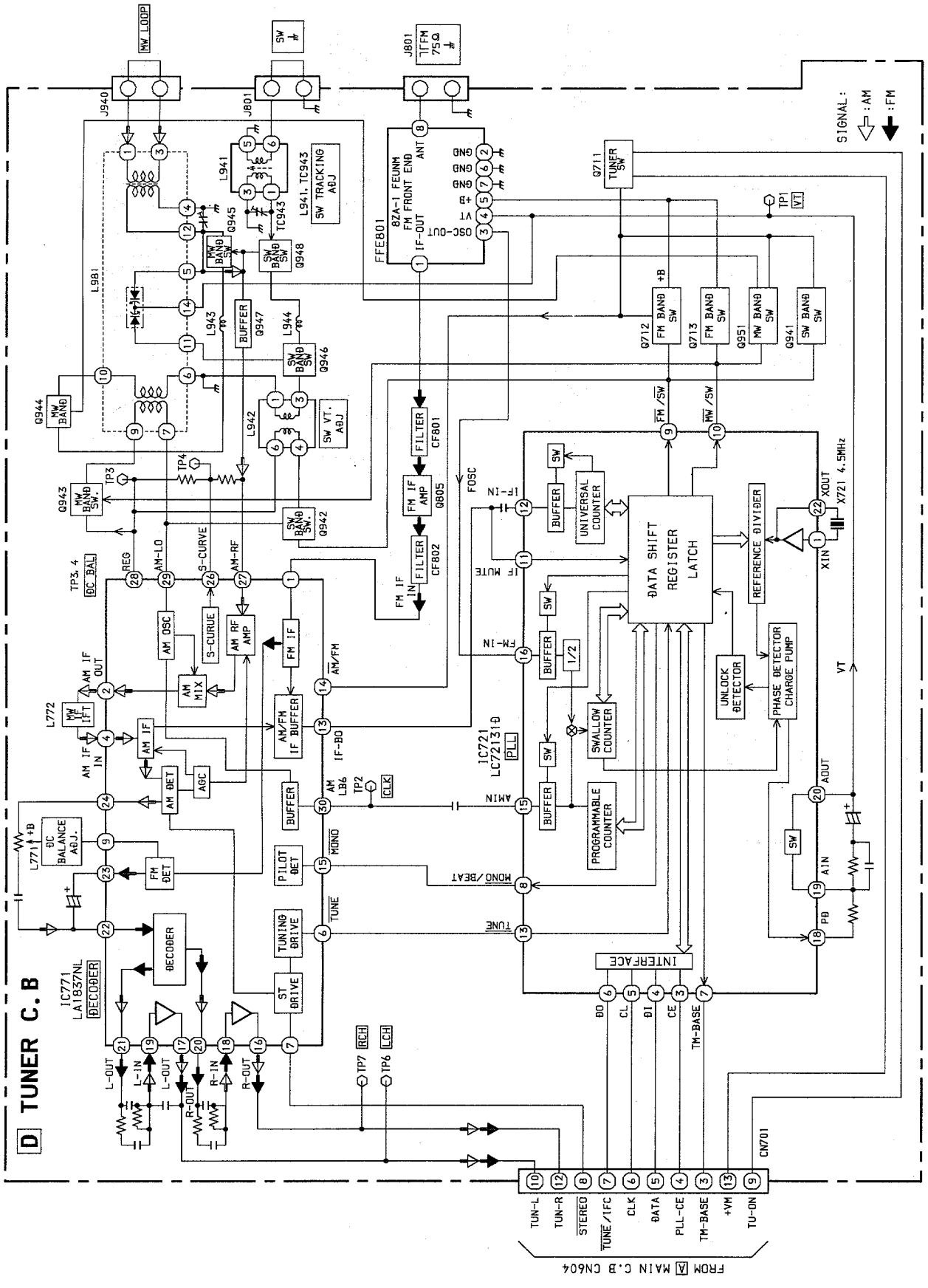
2SJ461  
2SK2158



G D S

2SK543

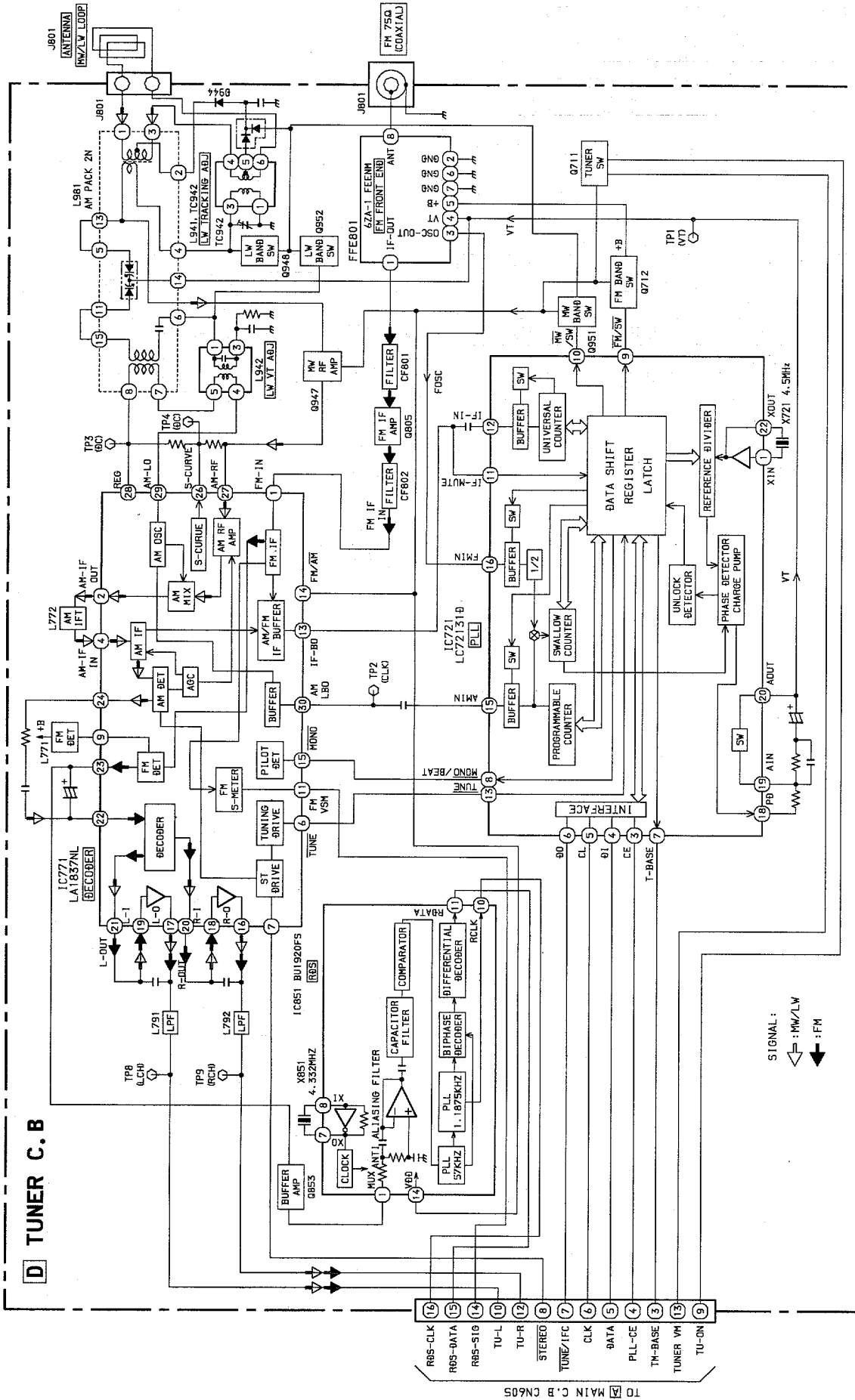
BLOCK DIAGRAM - 1 (TUNER:HR)



FROM MAIN C.B CN604

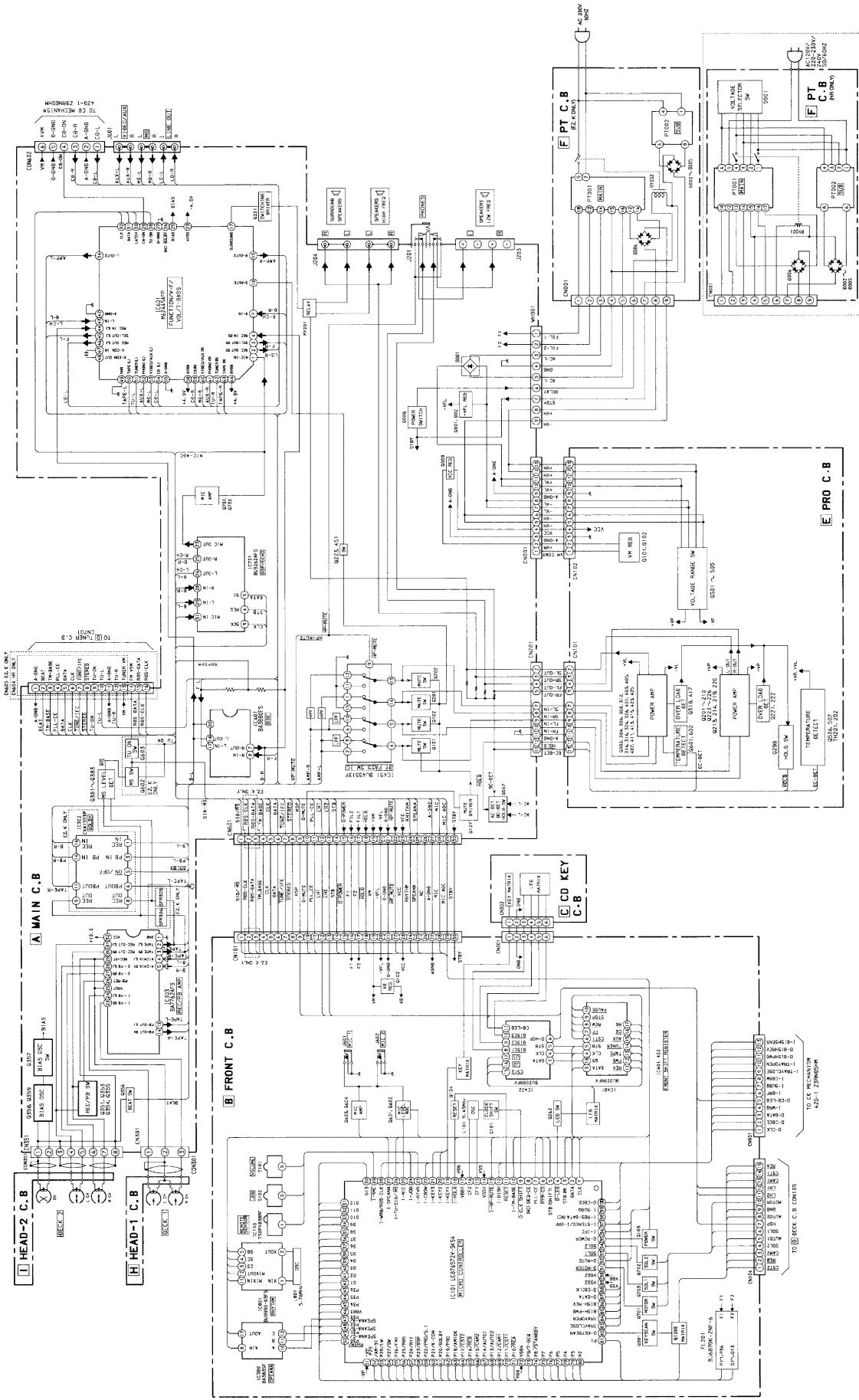
SIGNAL :  
 ⇐ : AM  
 ⇐ : FM

BLOCK DIAGRAM - 2 (TUNER : EZ, K)

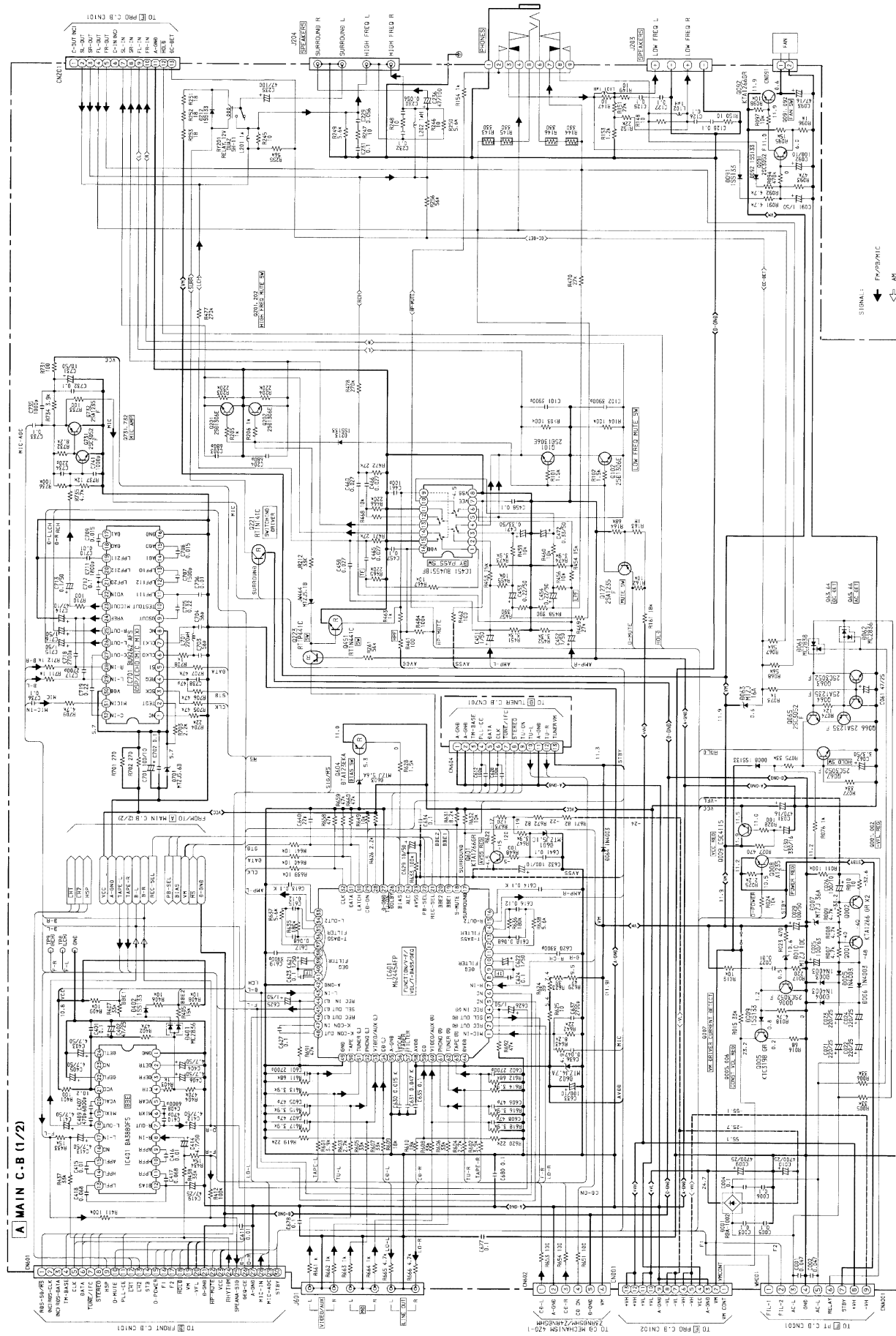




BLOCK DIAGRAM - 3 (MAIN / FRONT / PRO)



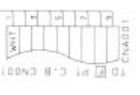
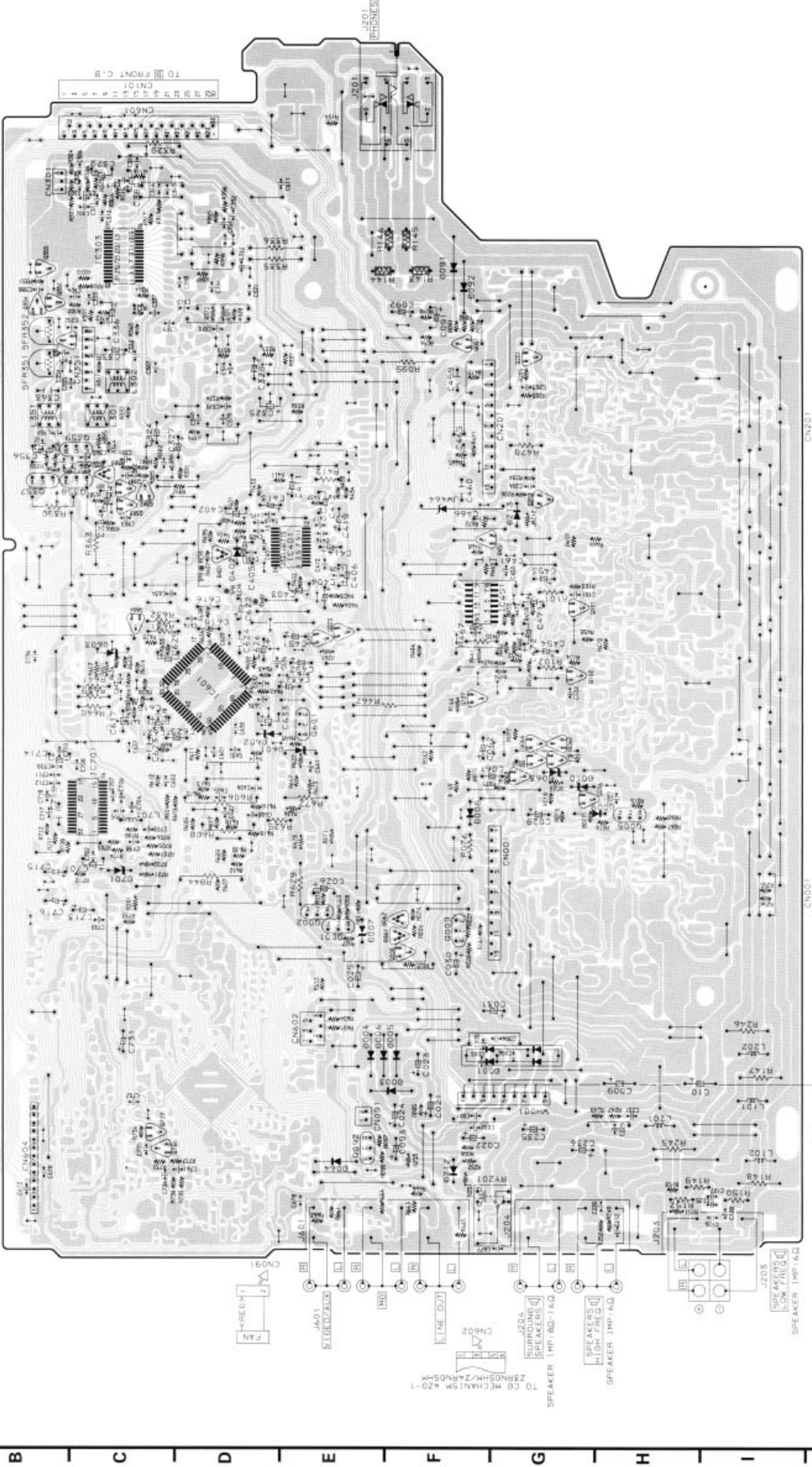
SCHEMATIC DIAGRAM - 1 (MAIN 1/2:HR)

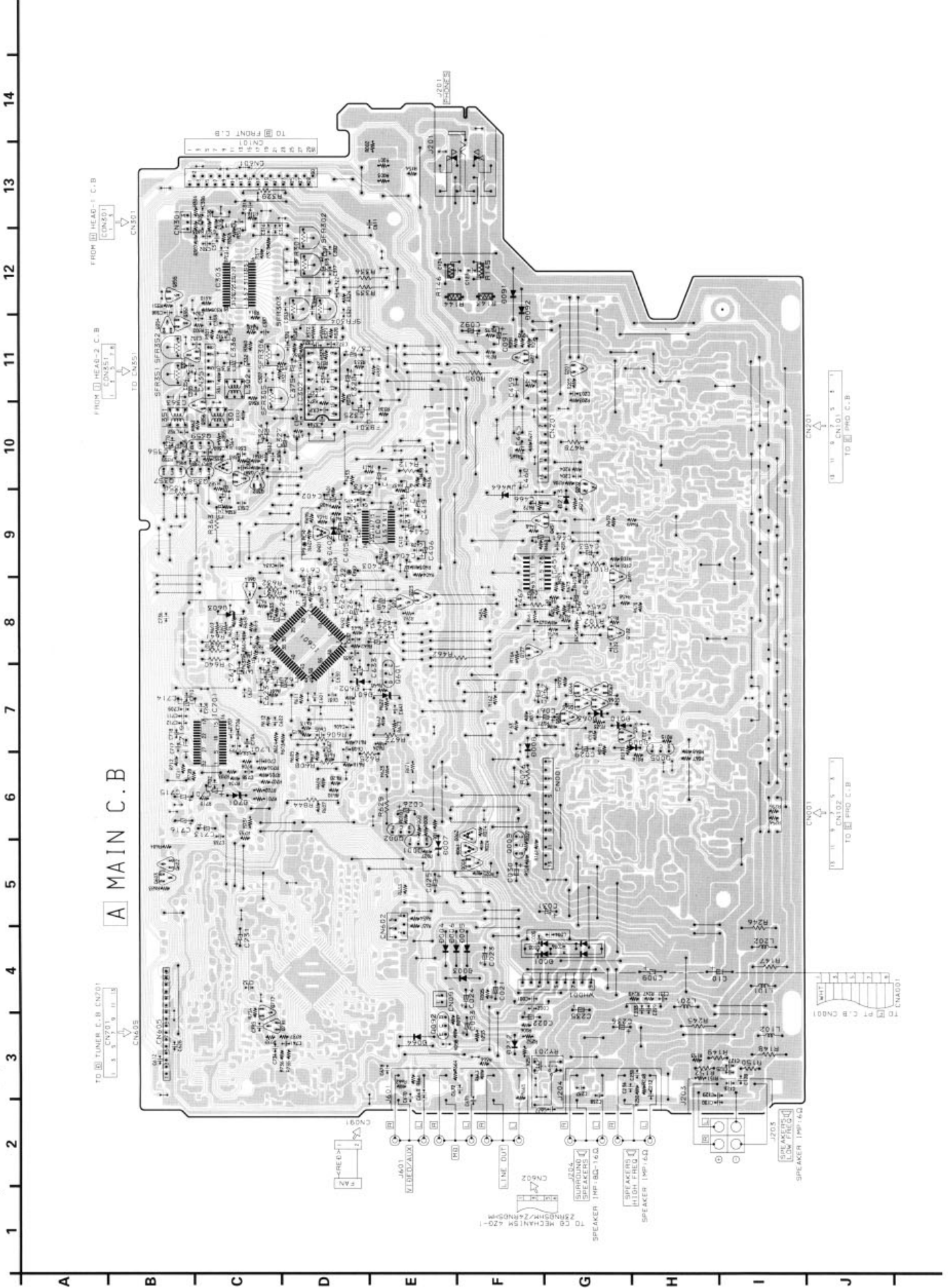


1 2 3 4 5 6 7 8 9 10 11 12 13 14

A B C D E F G H I J

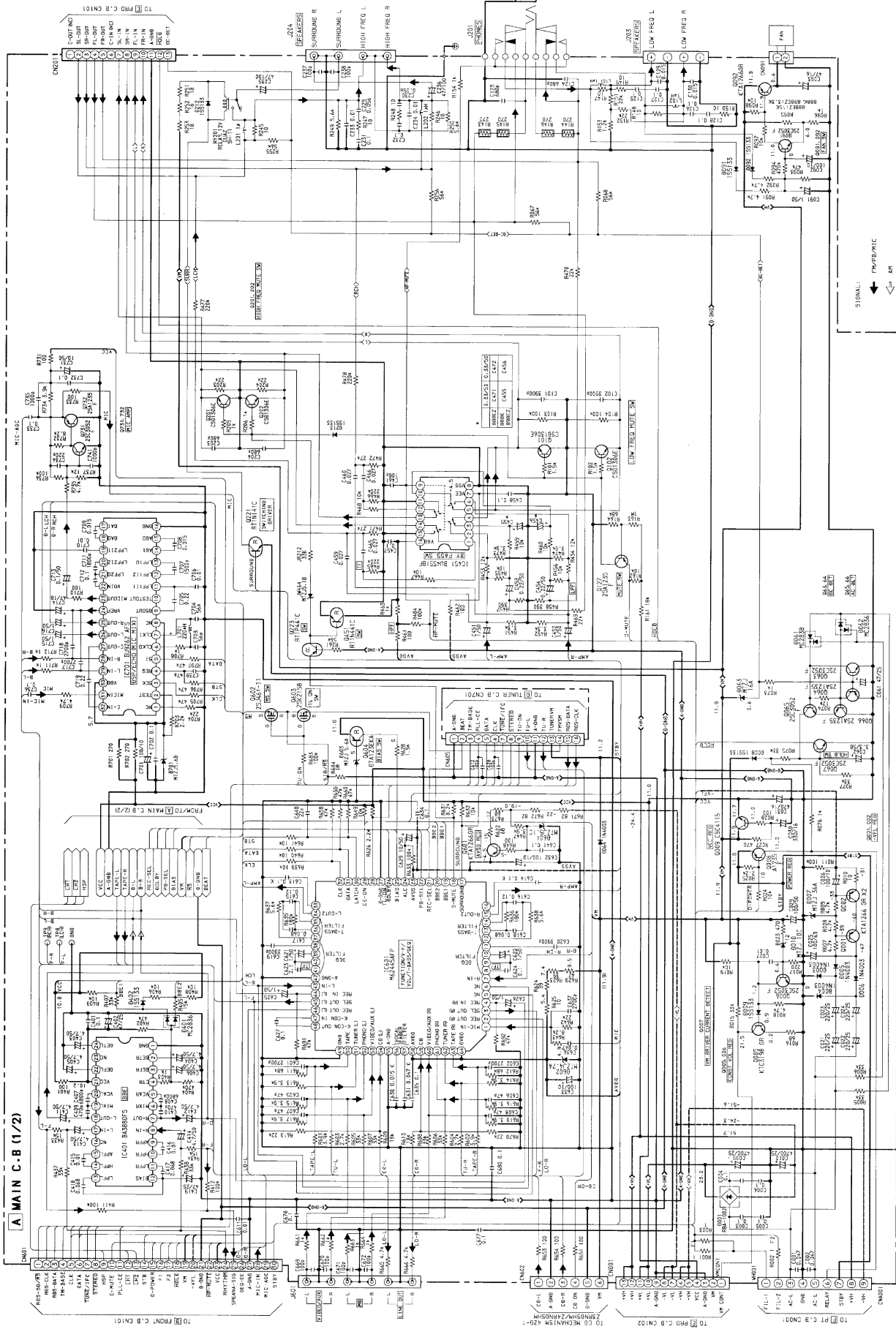
# A MAIN C.B





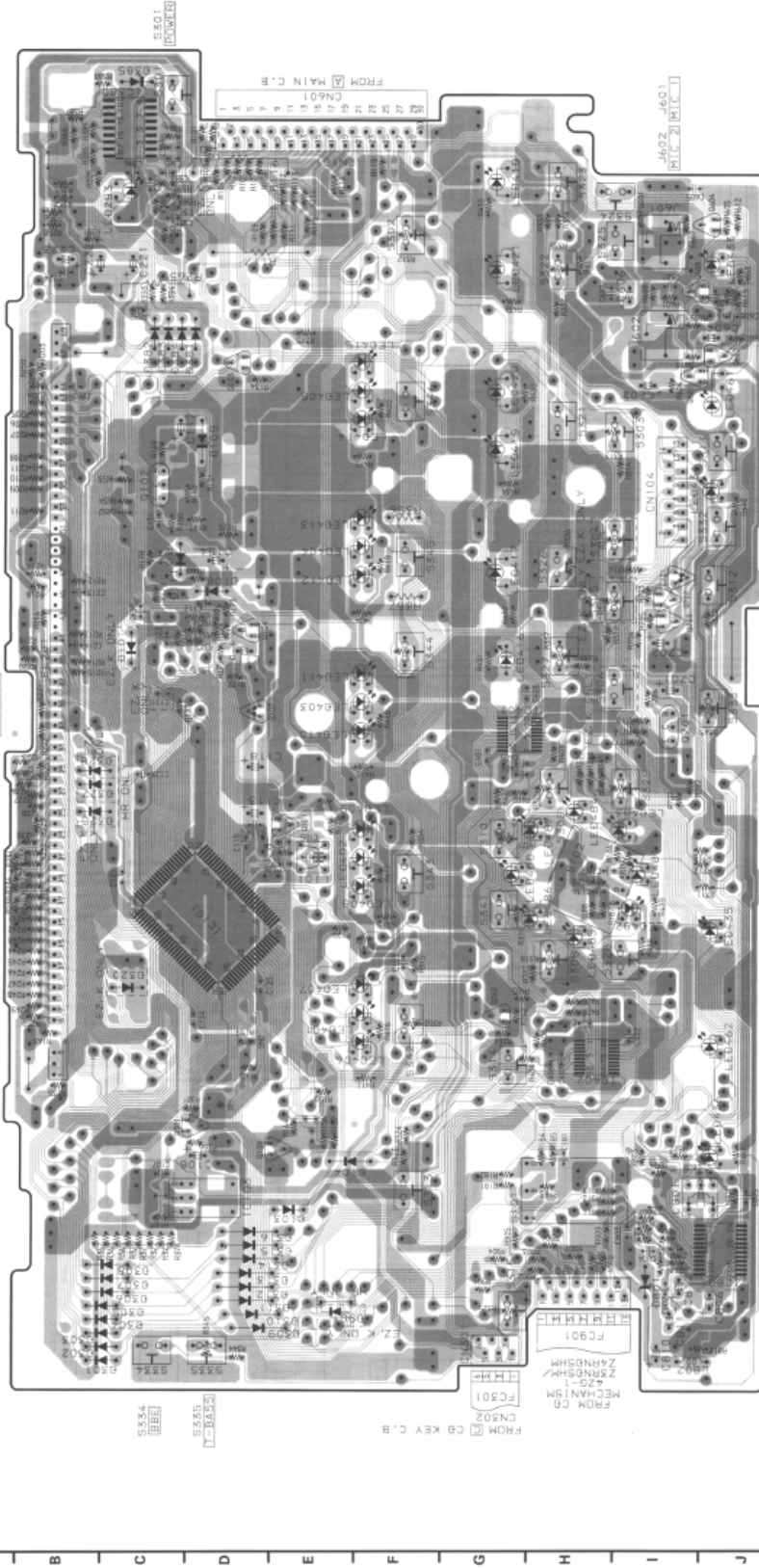
A MAIN C.B.

SCHEMATIC DIAGRAM - 2 (MAIN 1/2: EZ. K)

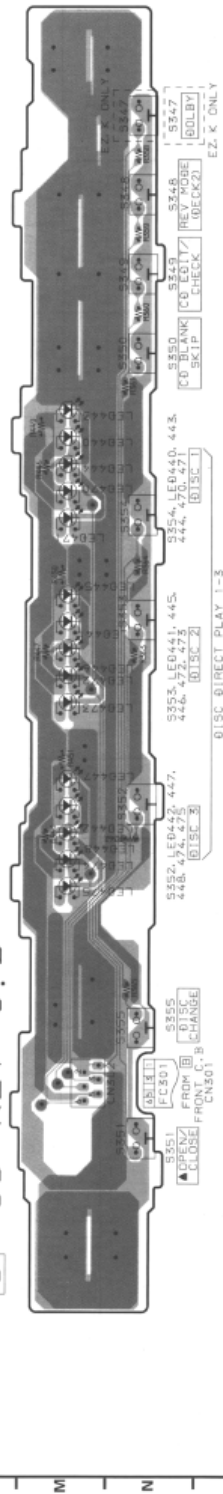


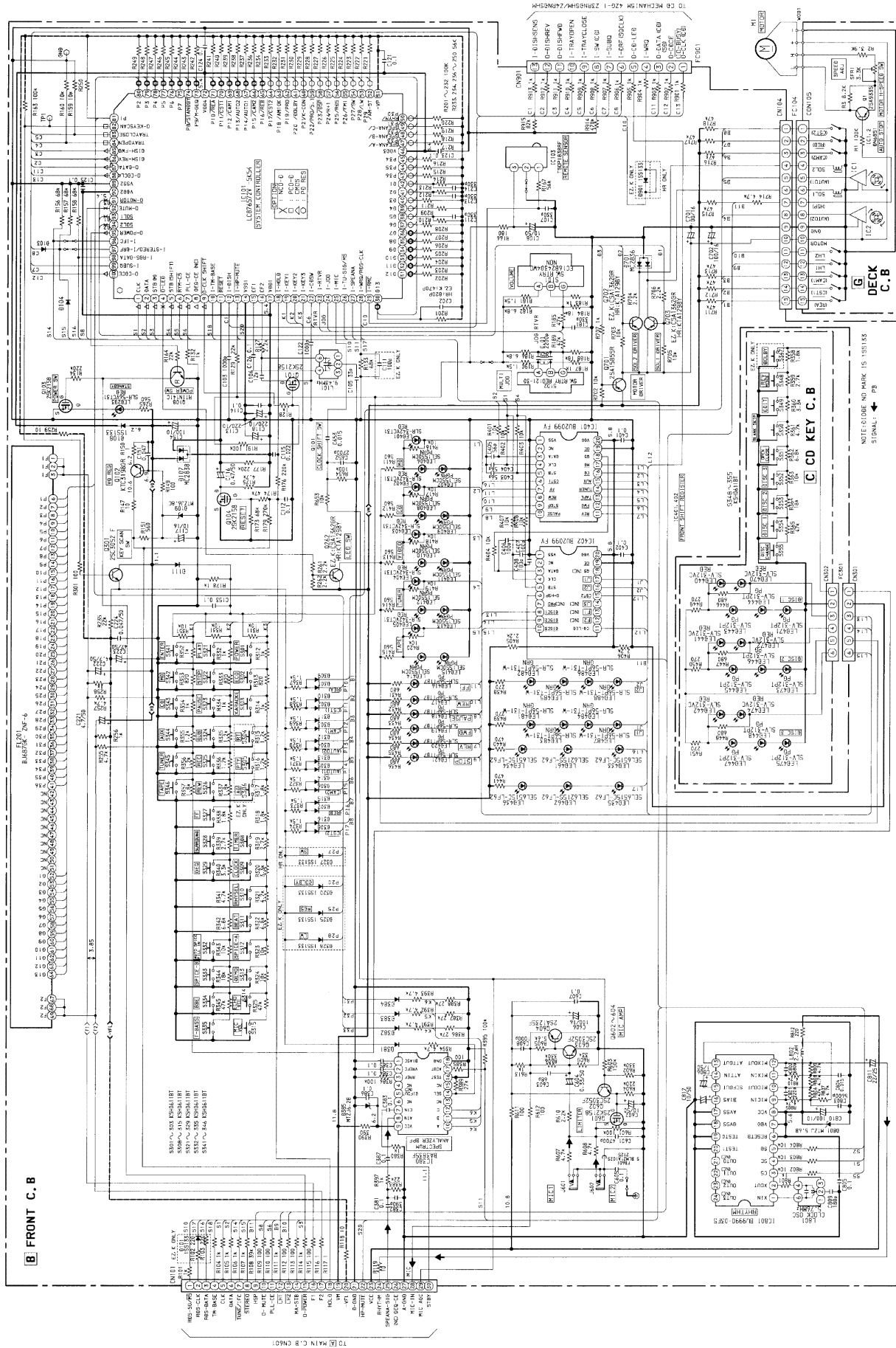
1 2 3 4 5 6 7 8 9 10 11 12 13 14 15 16 17 18 19 20

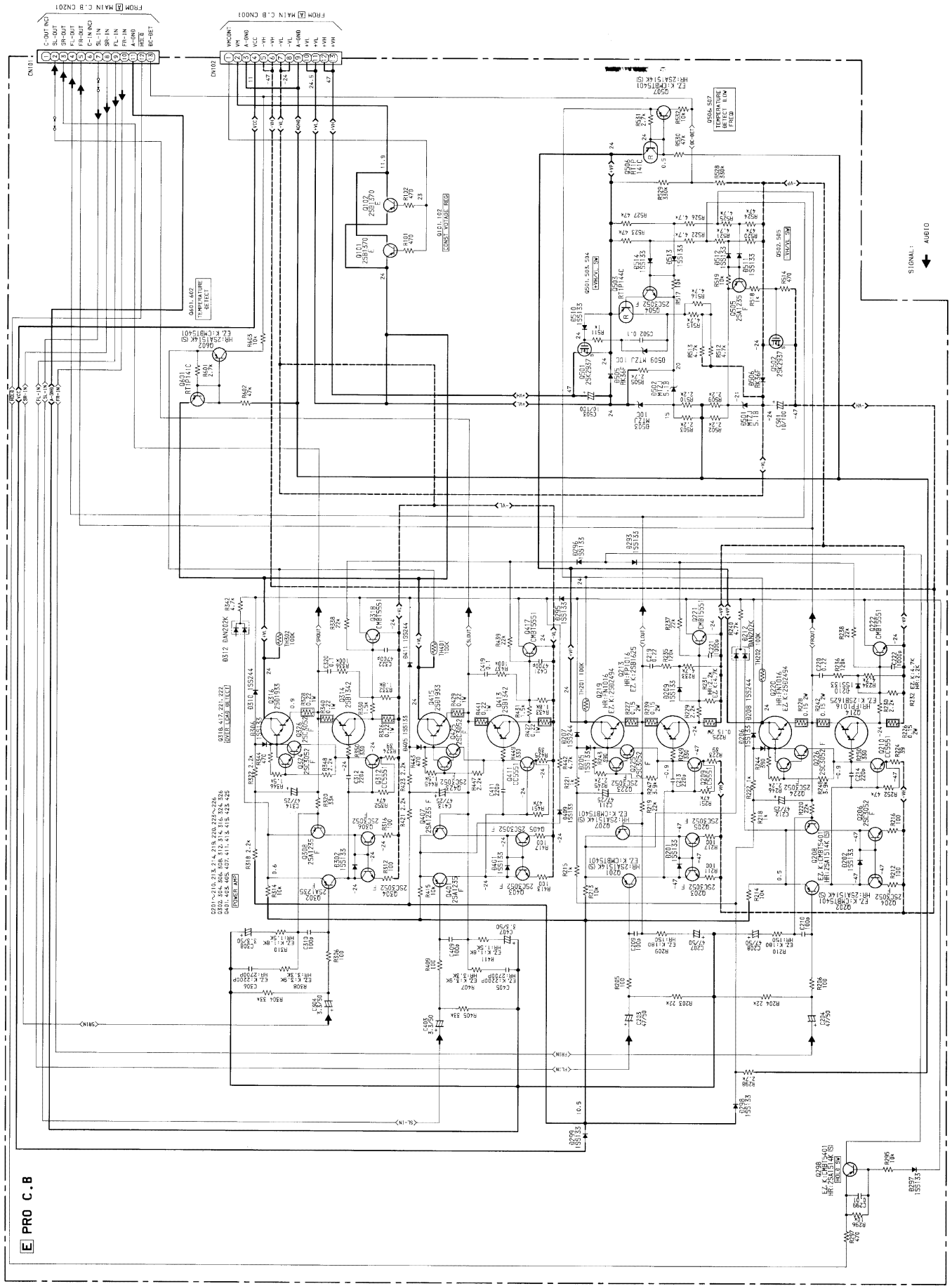
### B FRONT C.B



### C CD KEY C.B

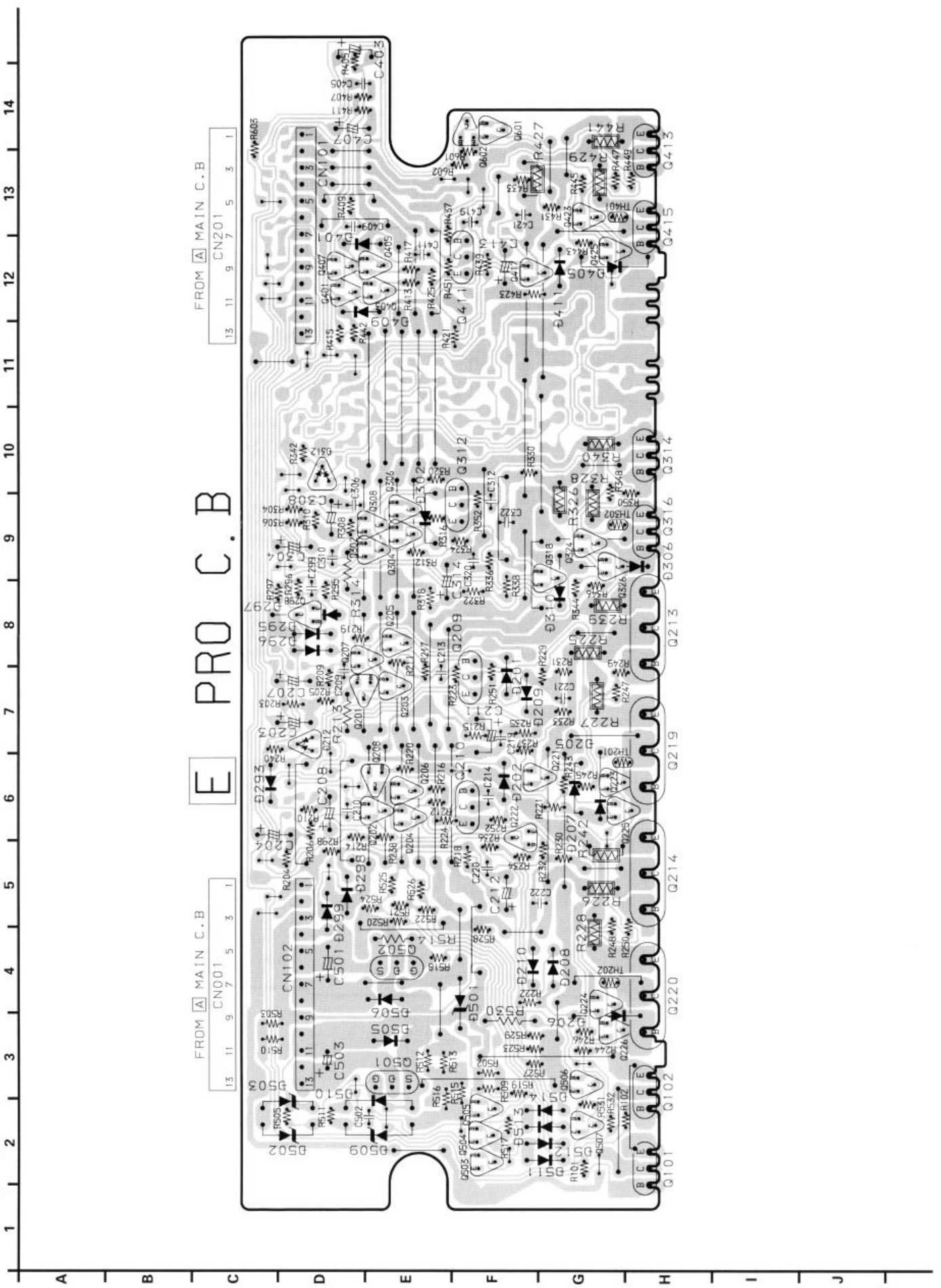






E PRO C.B





1 2 3 4 5 6 7 8 9 10 11 12 13 14

A



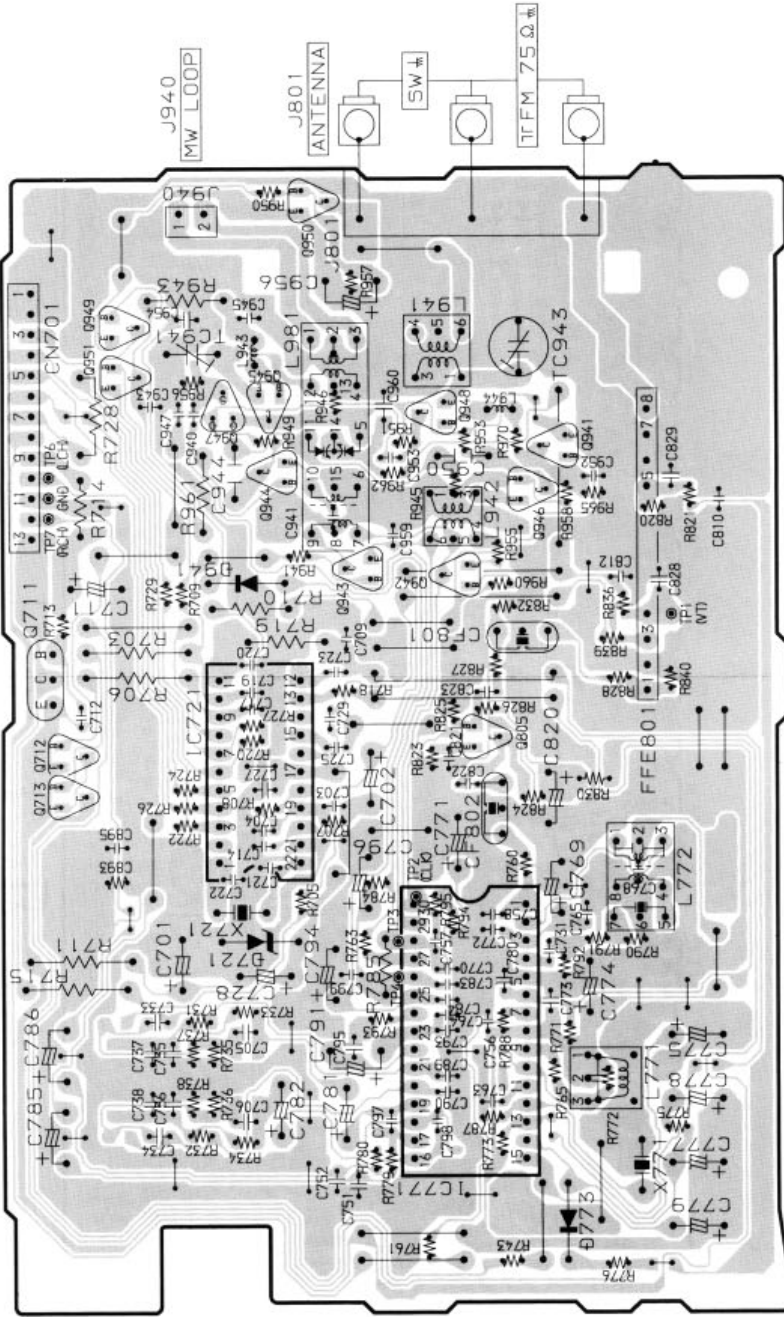
# TUNER C.B

<HR>

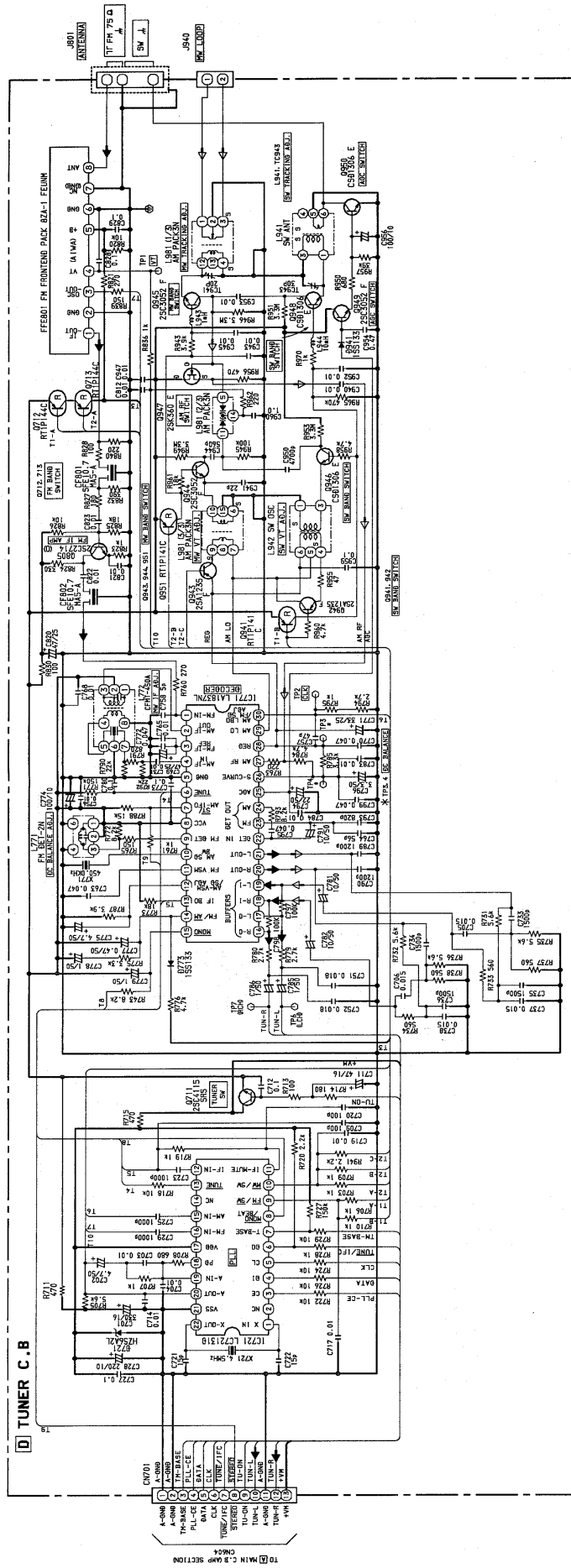
FROM MAIN C.B

CN604

13 11 9 7 5 3 1



SCHEMATIC DIAGRAM - 5 (TUNER : HR)



SIGNAL:  
 FM  
 AM

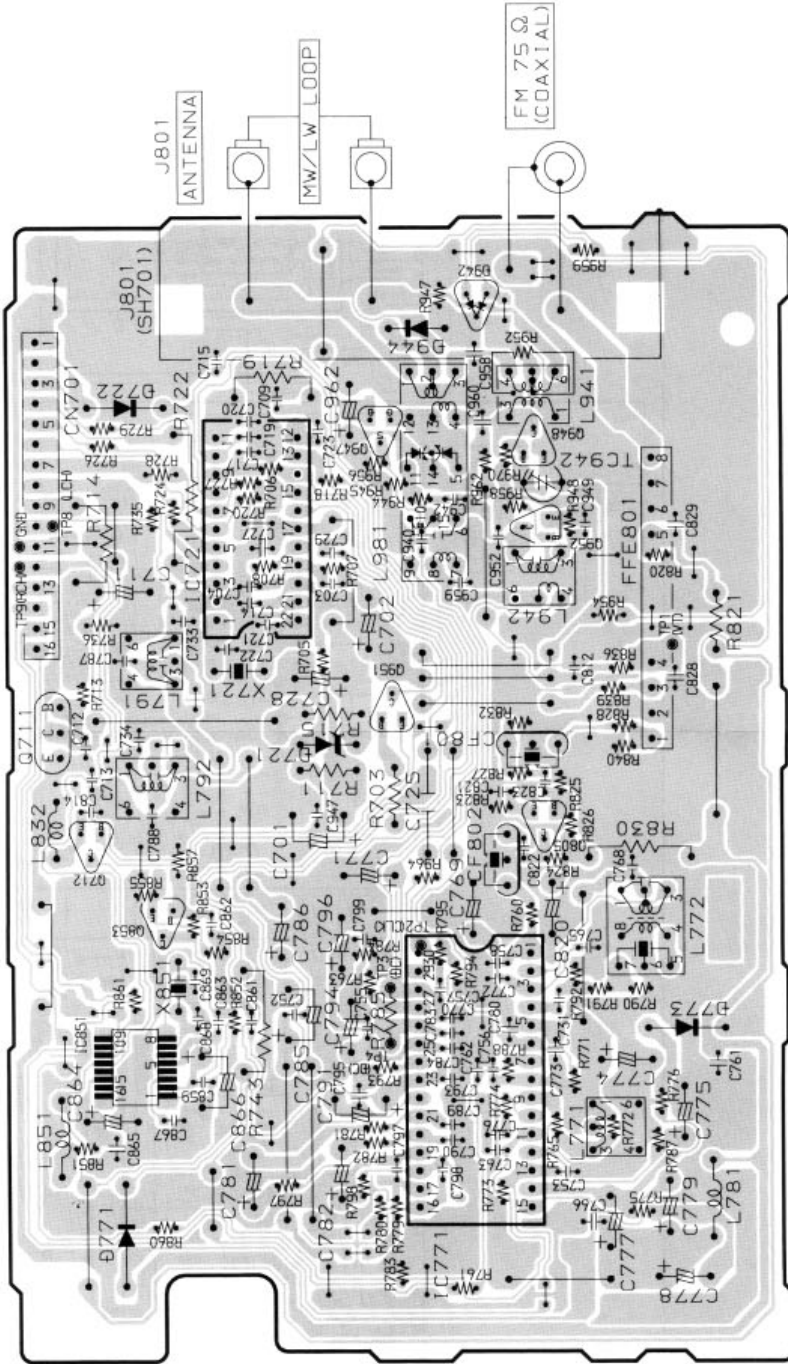
A

# ⊕ TUNER C. B

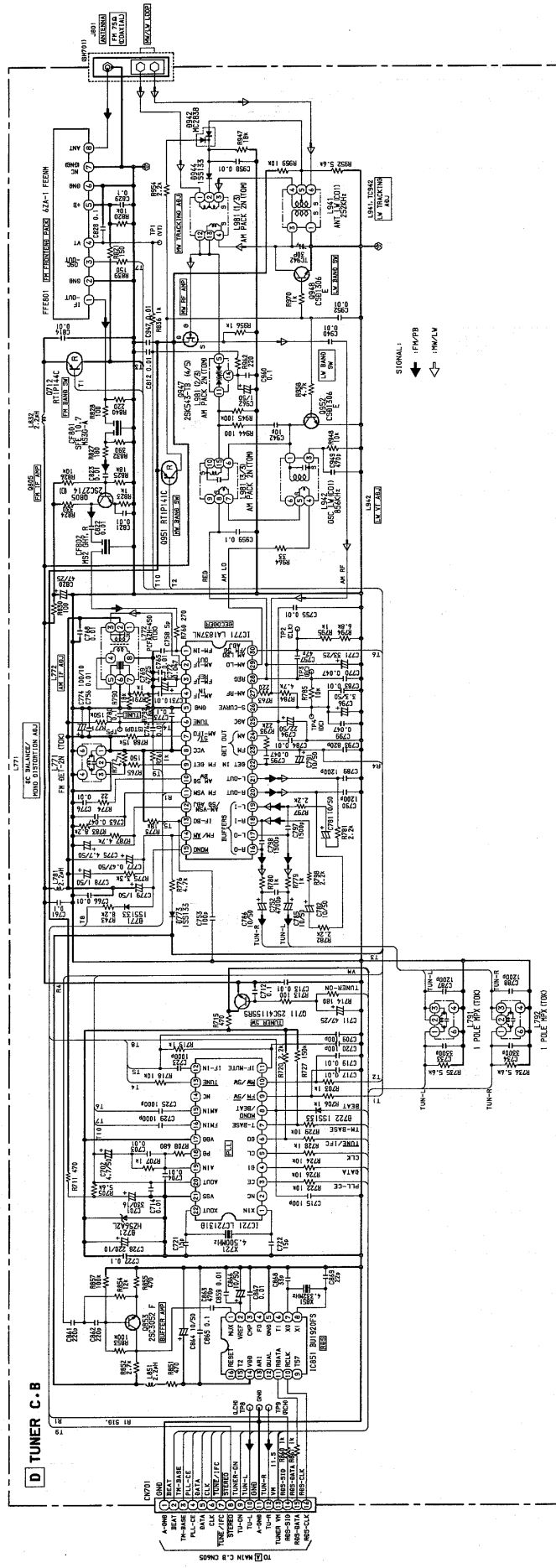
<EZ, K>

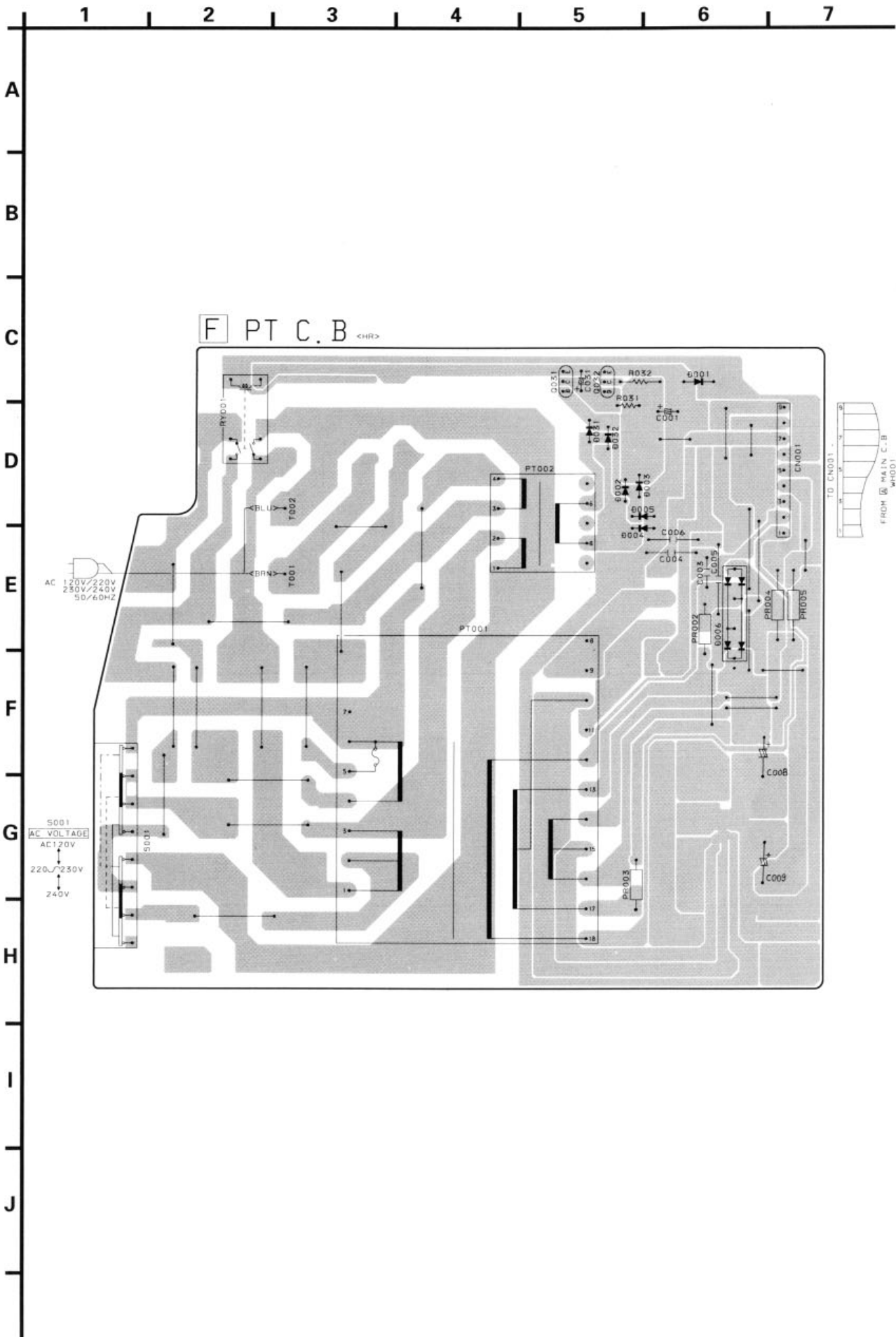
16 15 13 11 9 7 5 3 1

TO MAIN C.B

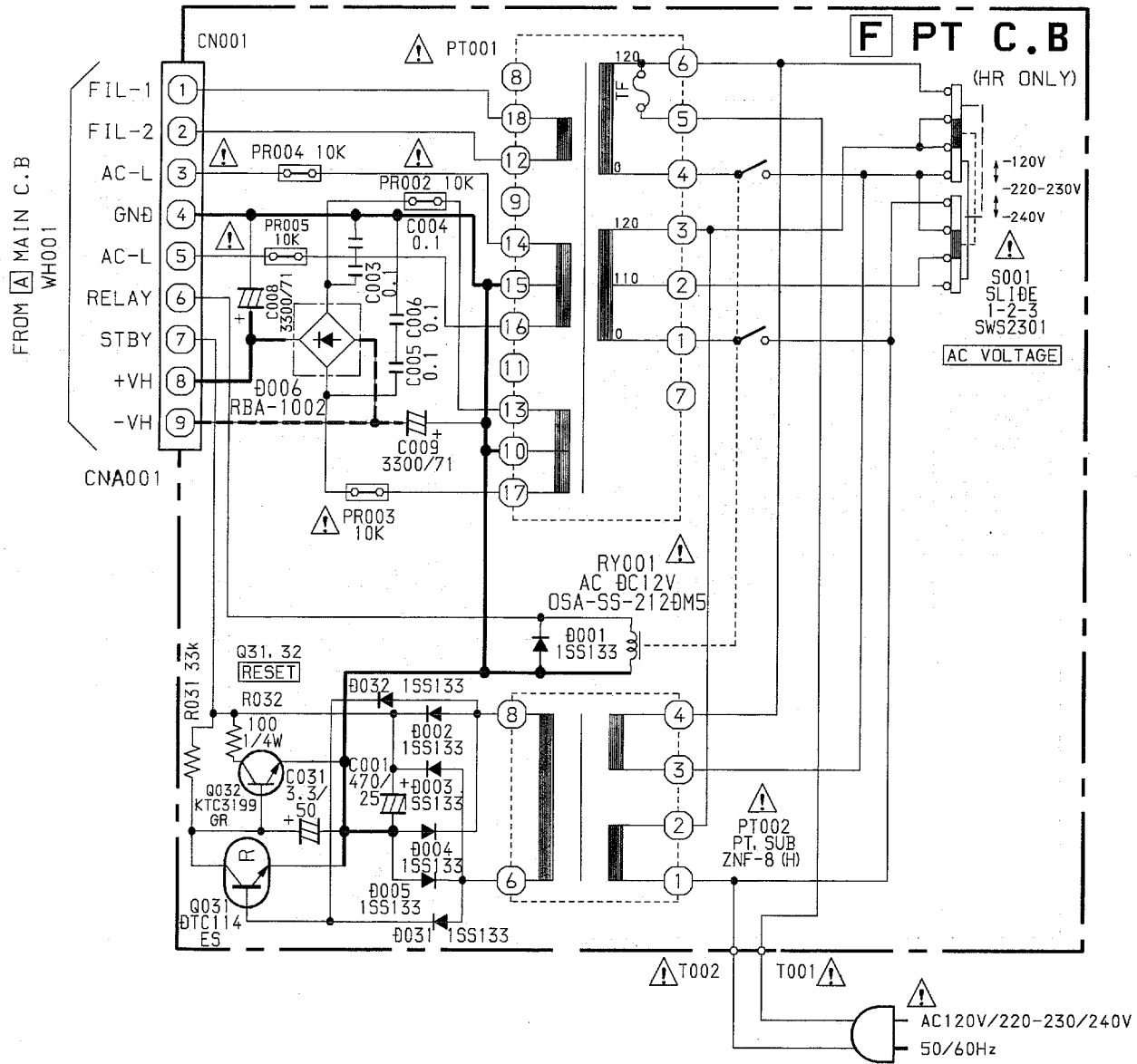


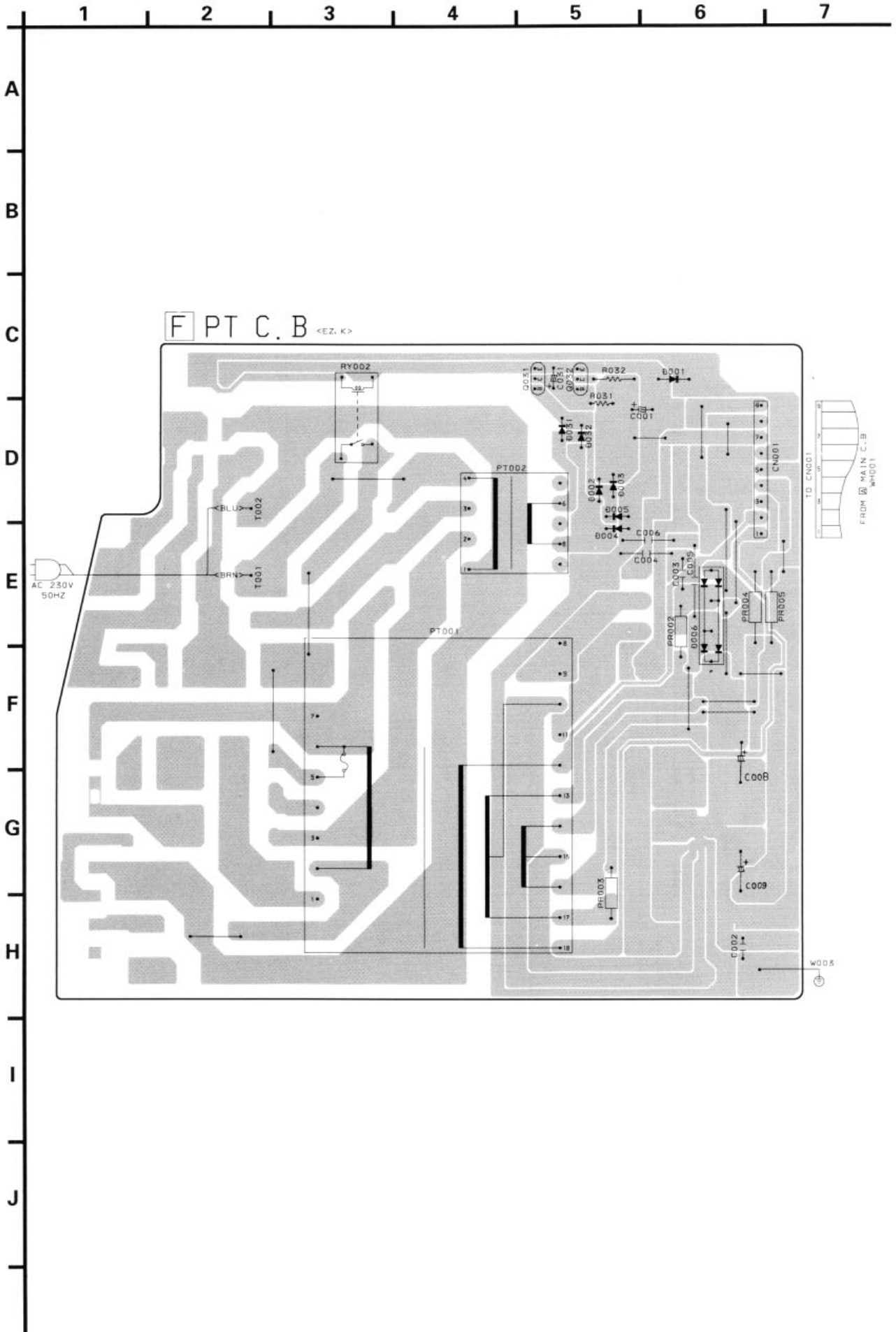
SCHEMATIC DIAGRAM - 6 (TUNER: EZ, K)





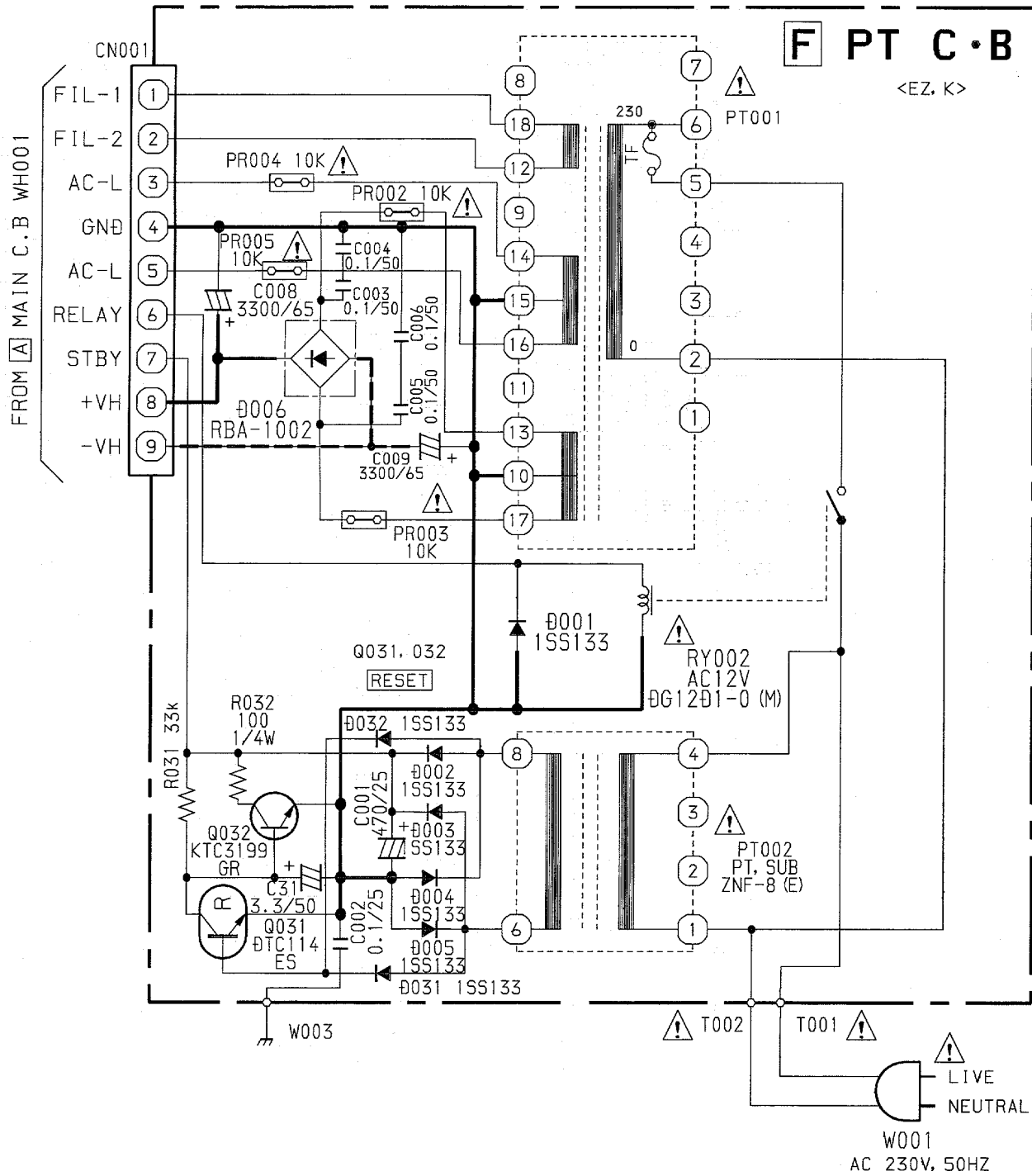
SCHEMATIC DIAGRAM - 7 (PT : HR)



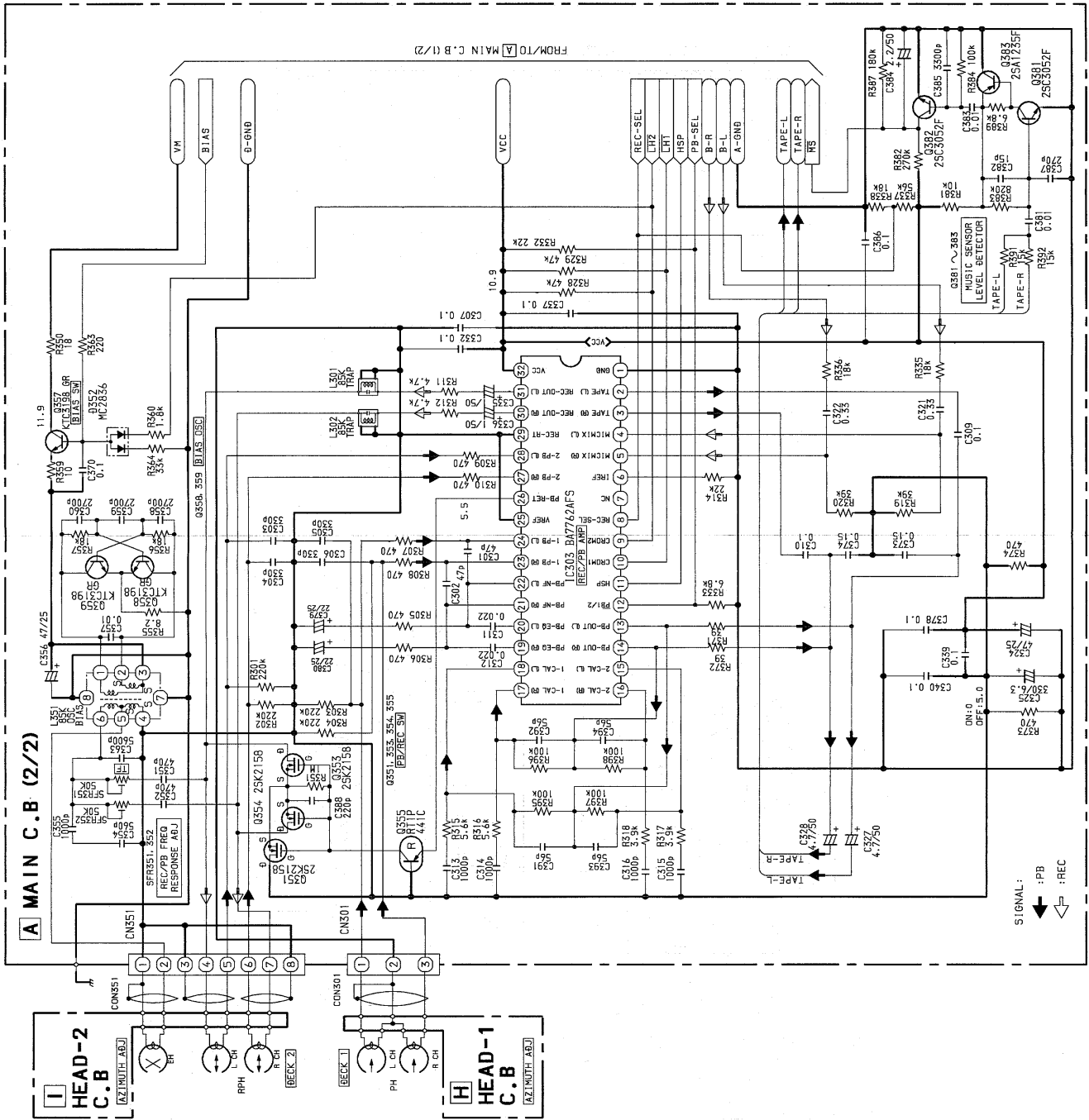


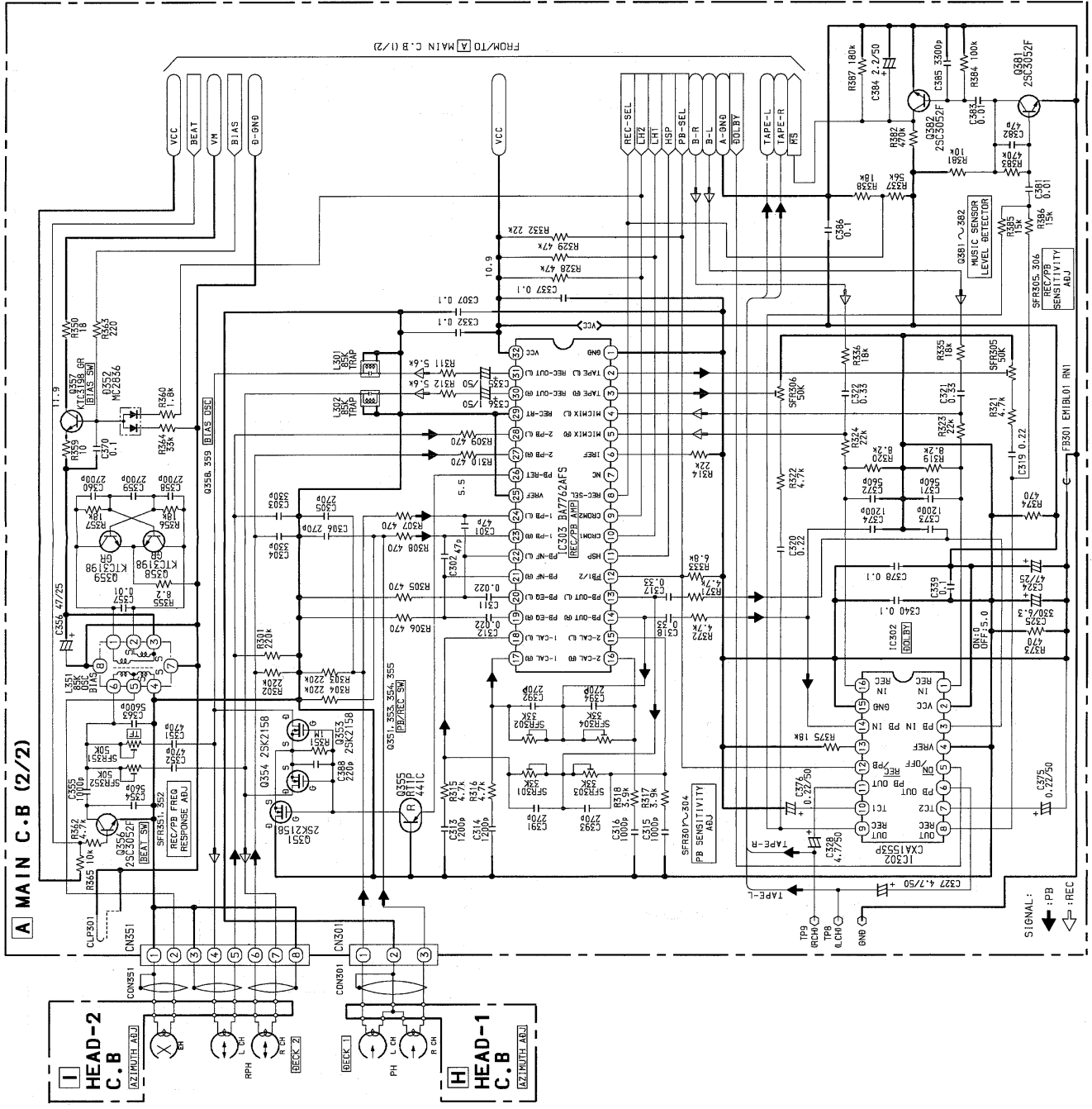


SCHEMATIC DIAGRAM - 8 (PT : EZ, K)

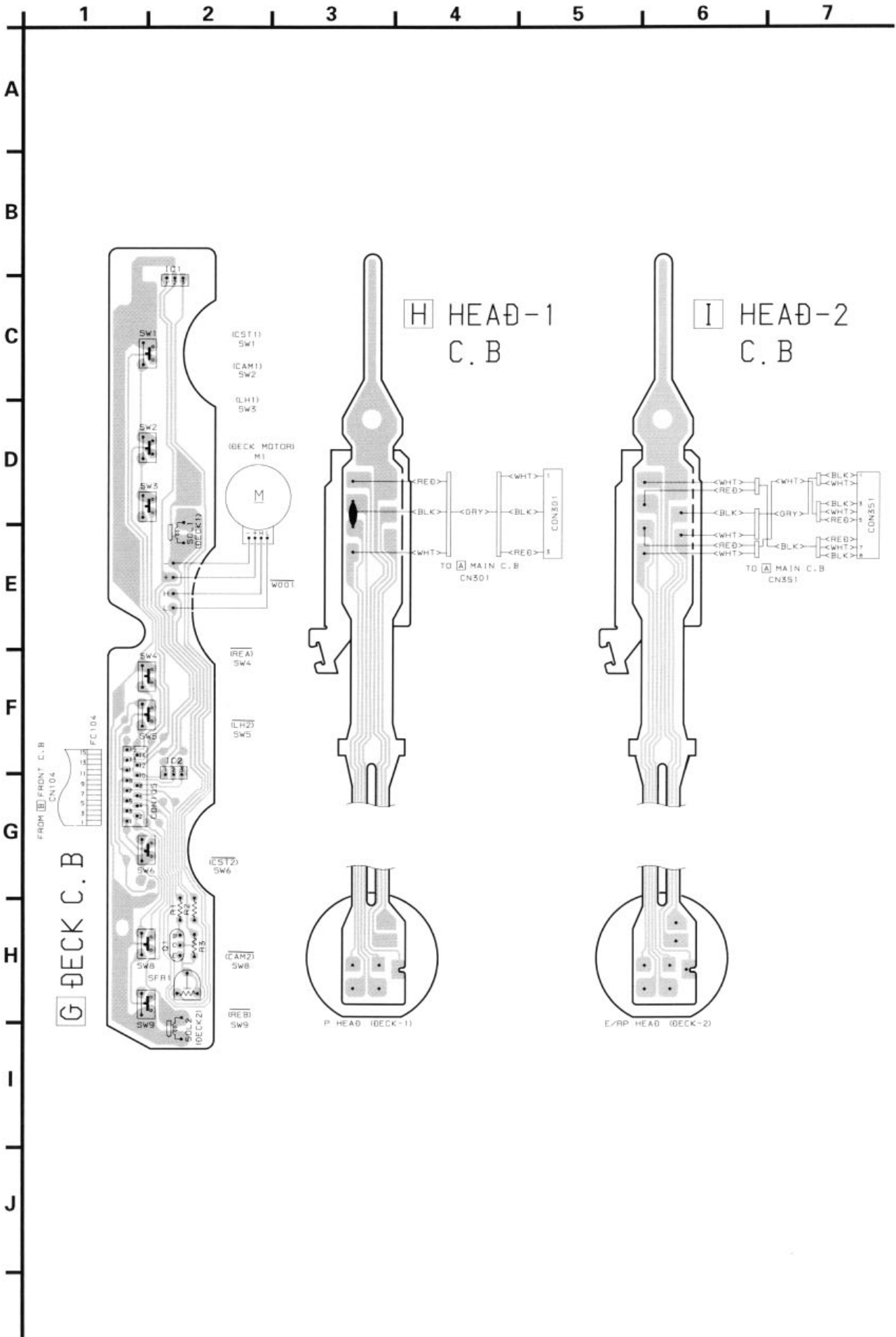


SCHEMATIC DIAGRAM - 9 (MAIN 2 / 2 : HR)



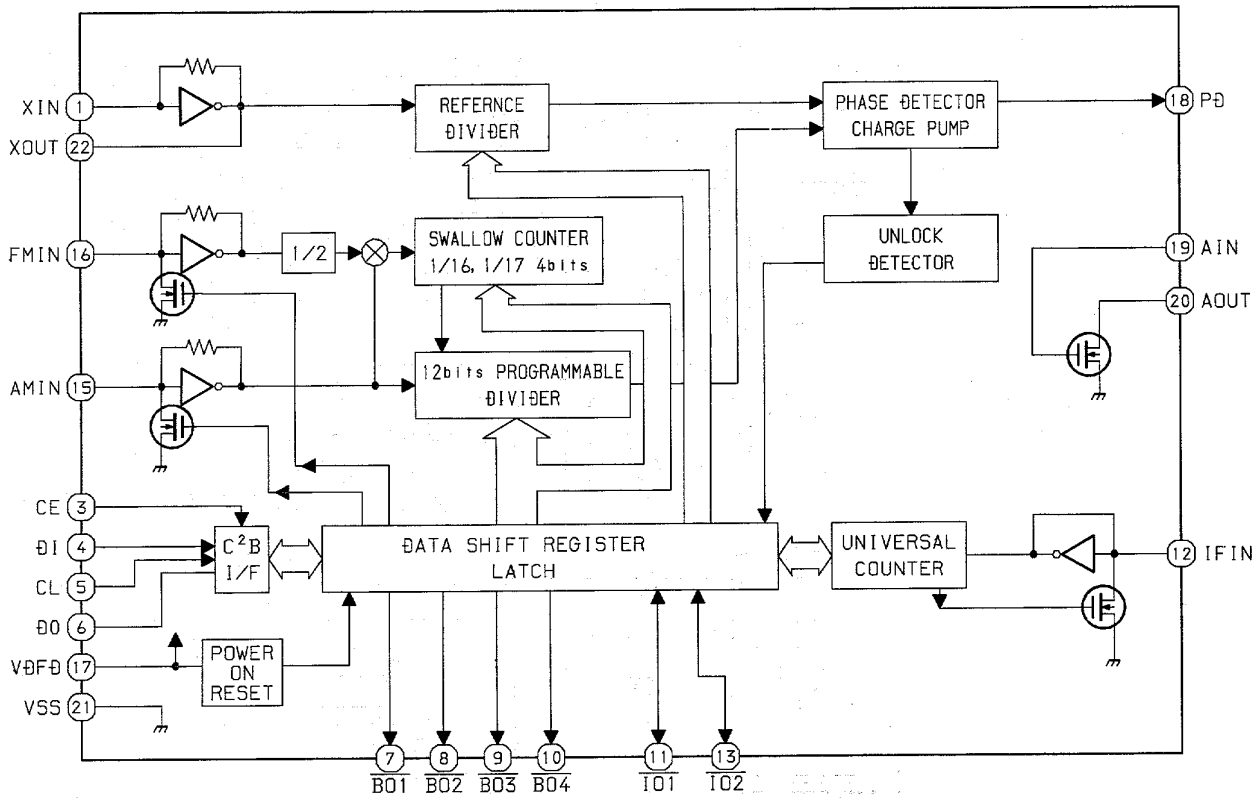


WIRING - 9 (DECK)

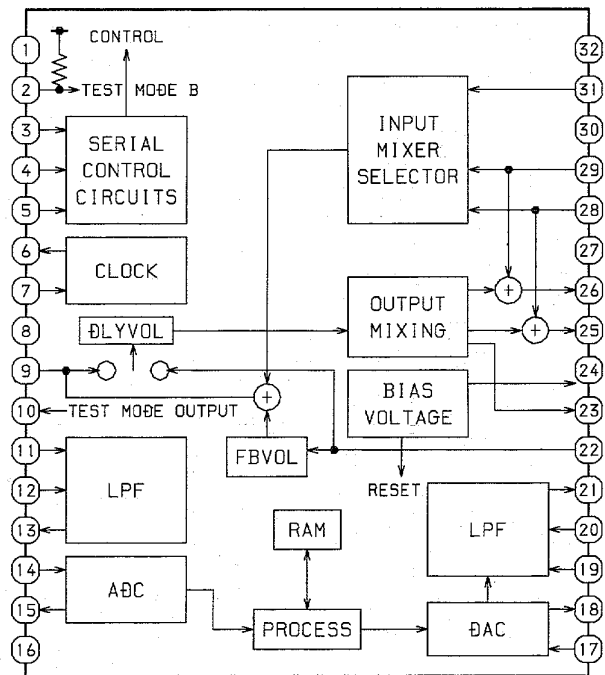


# IC BLOCK DIAGRAM

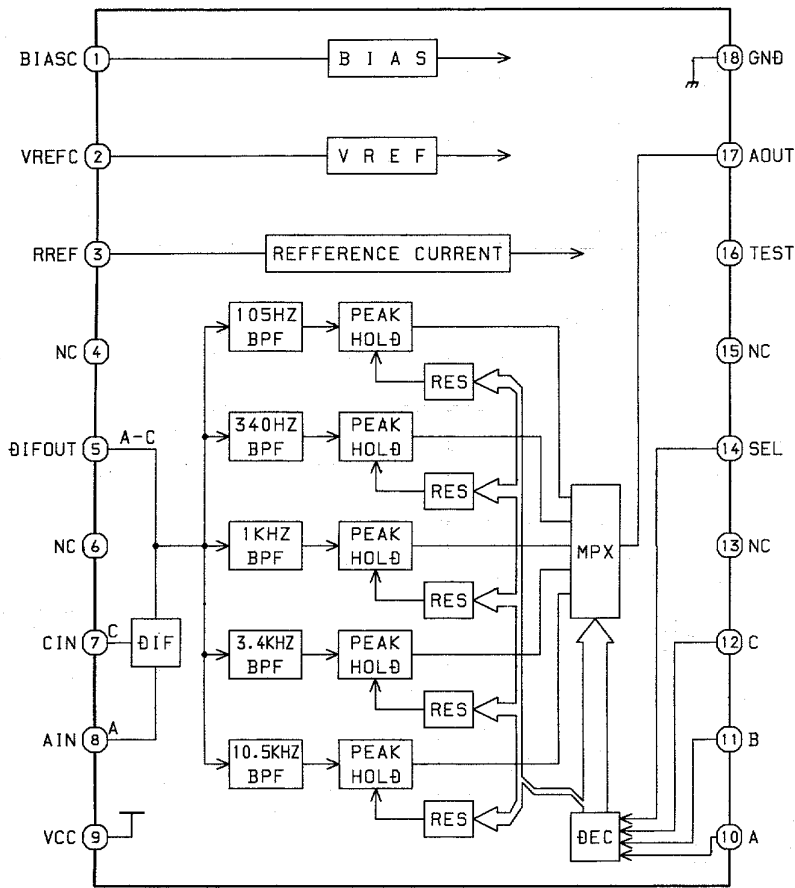
IC, LC72131D



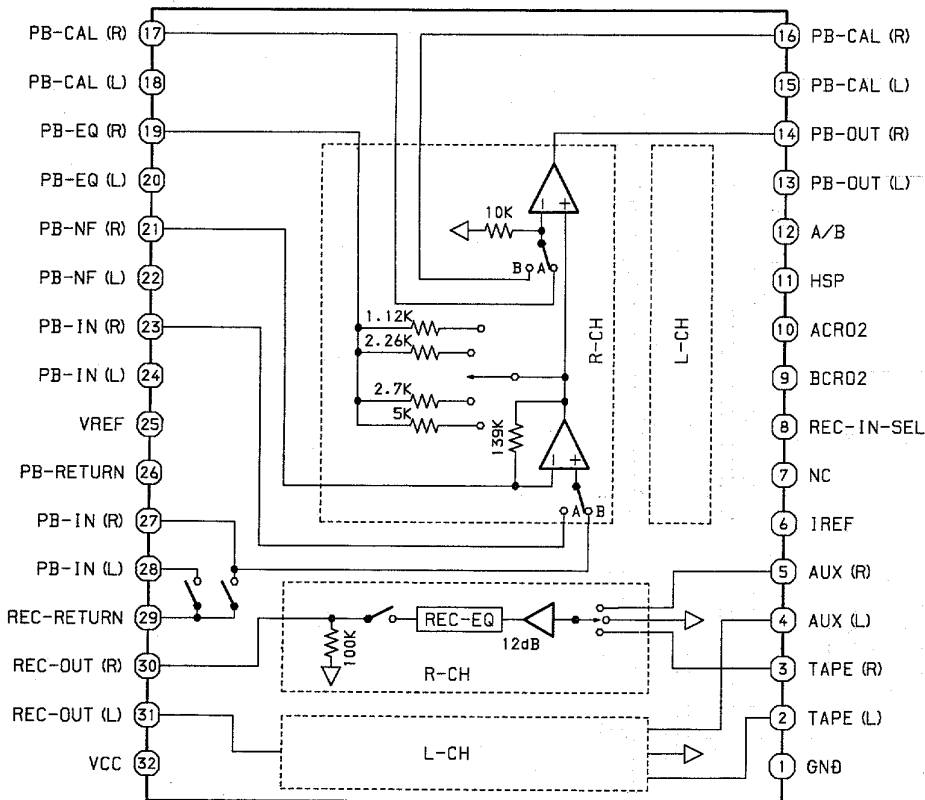
IC, BU9262AFS



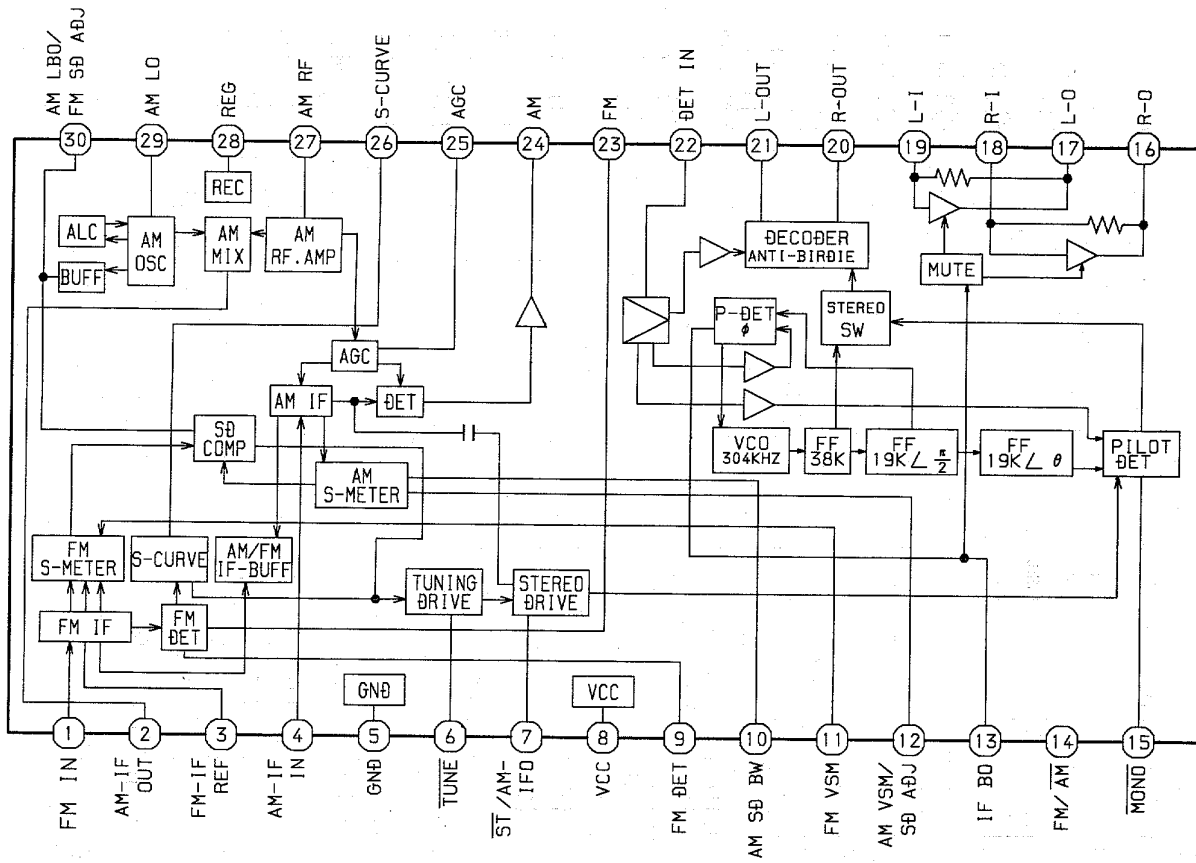
IC, BA3835F



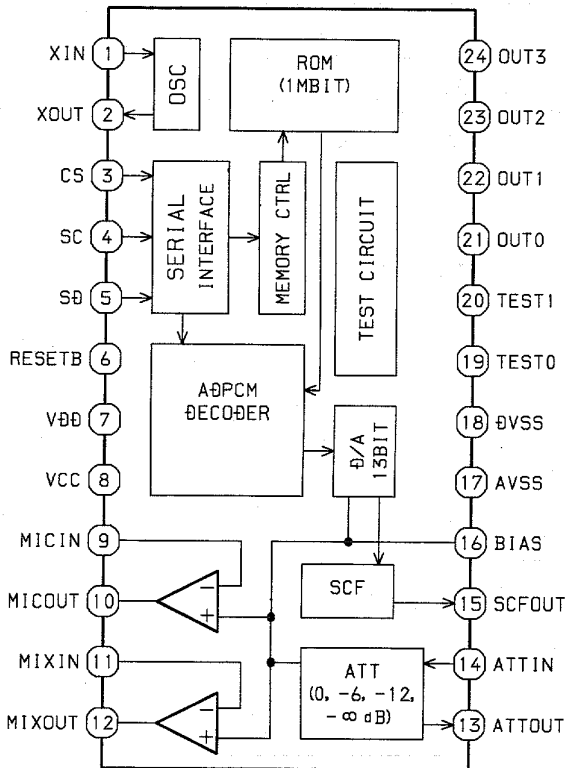
IC, BA7762AFS



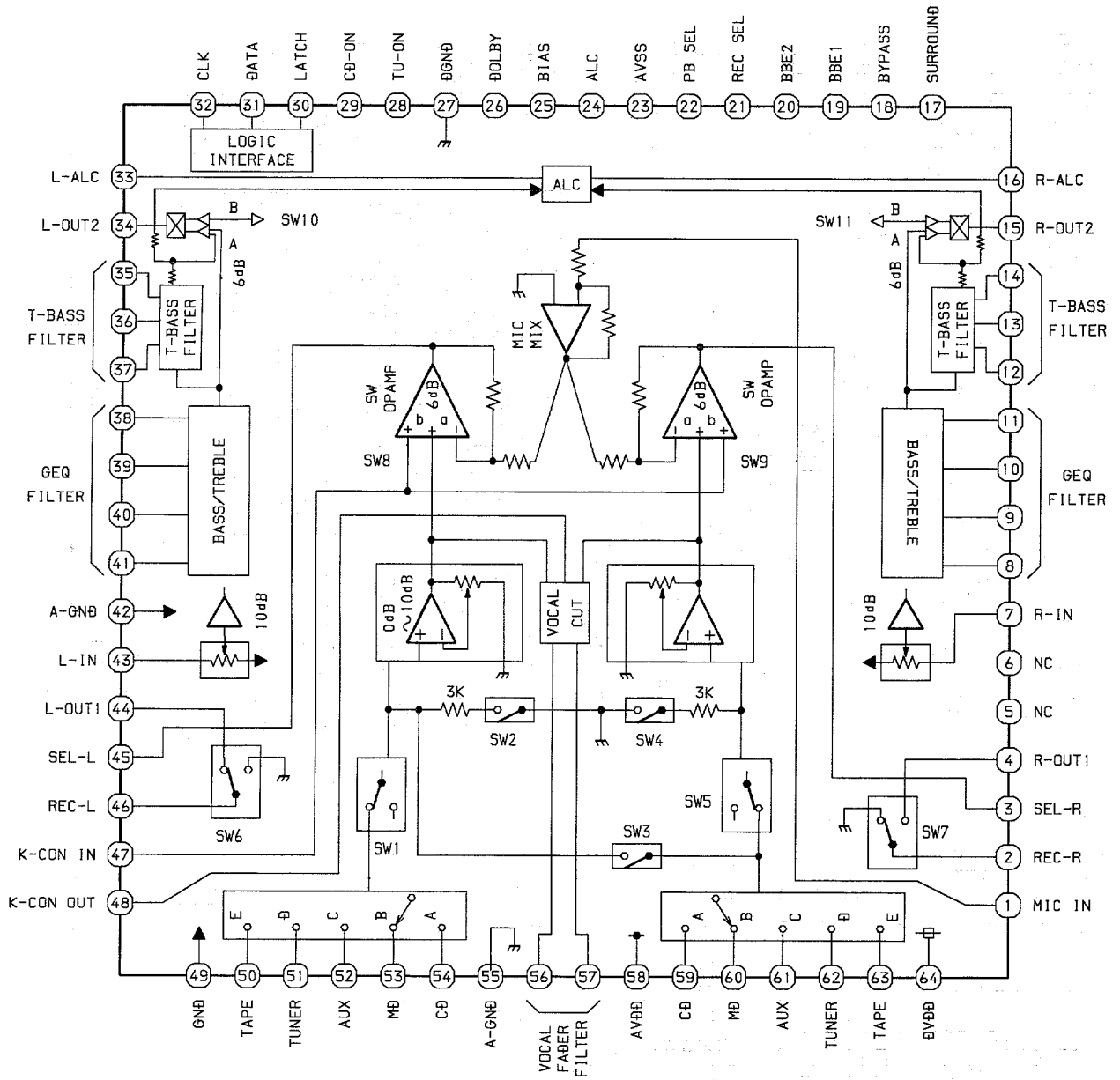
IC, LA1837NL



IC, BU9990-03FS

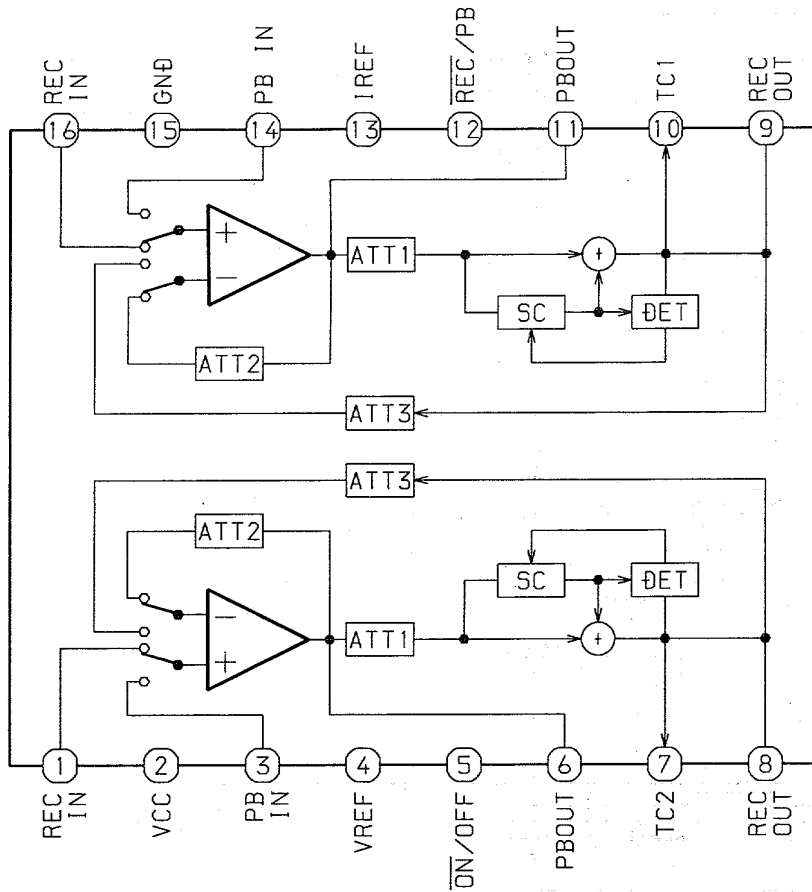


IC, M62445AFP



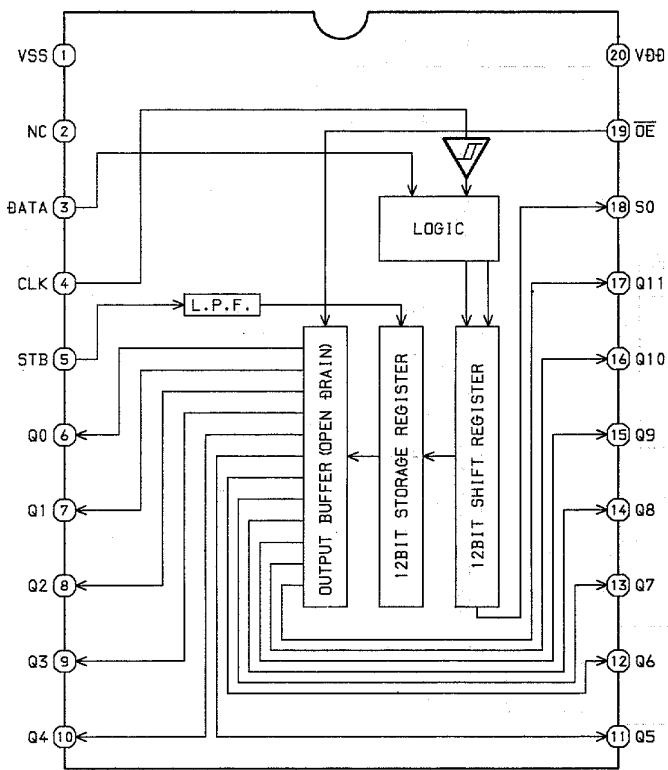


IC, CXA1553P

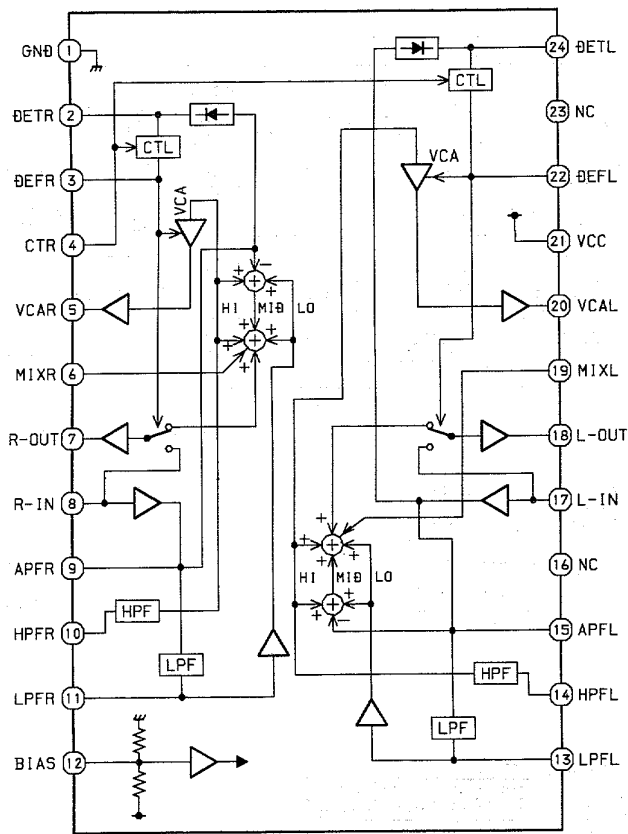


ATT:Attenuator  
 SC:Side Chain  
 DET:Detector

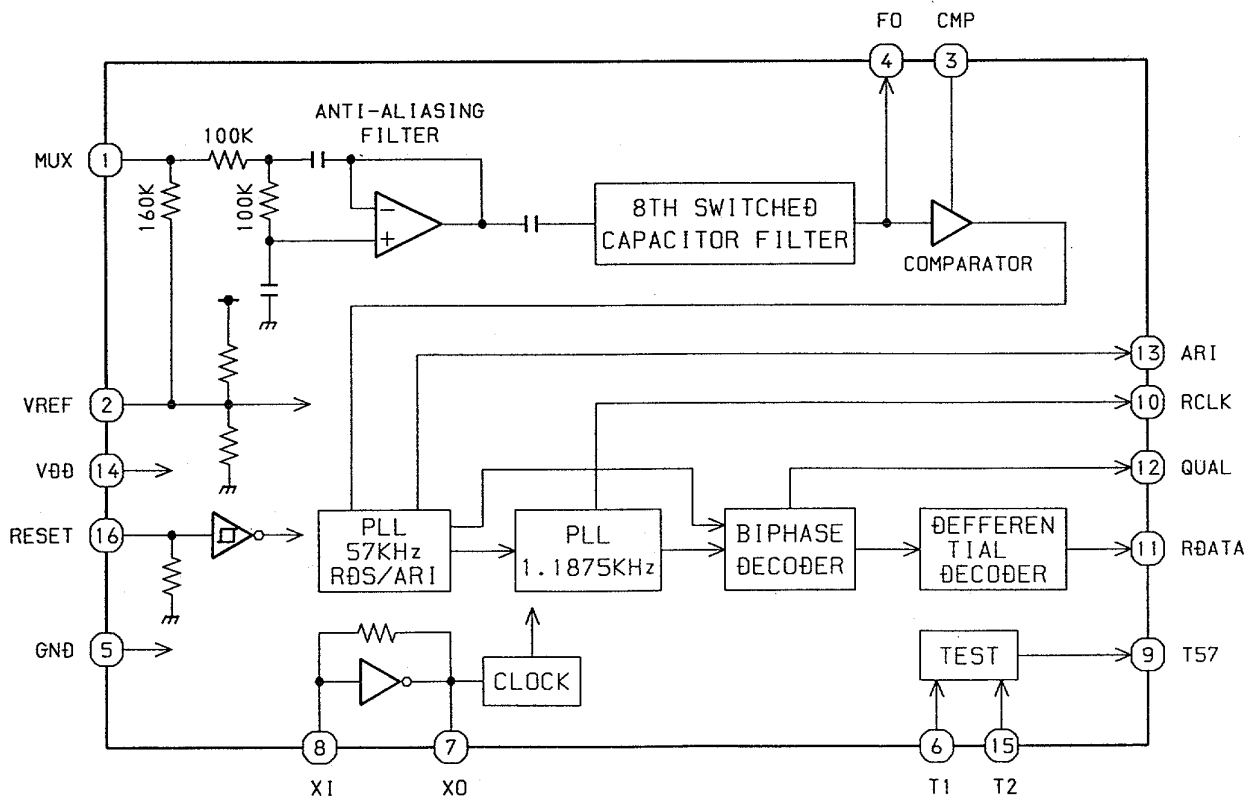
IC, BU2099FV



IC, BA3880FS

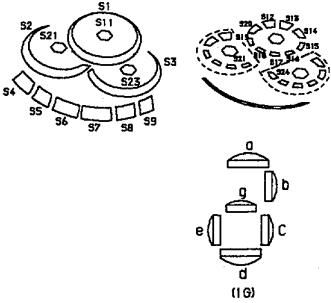
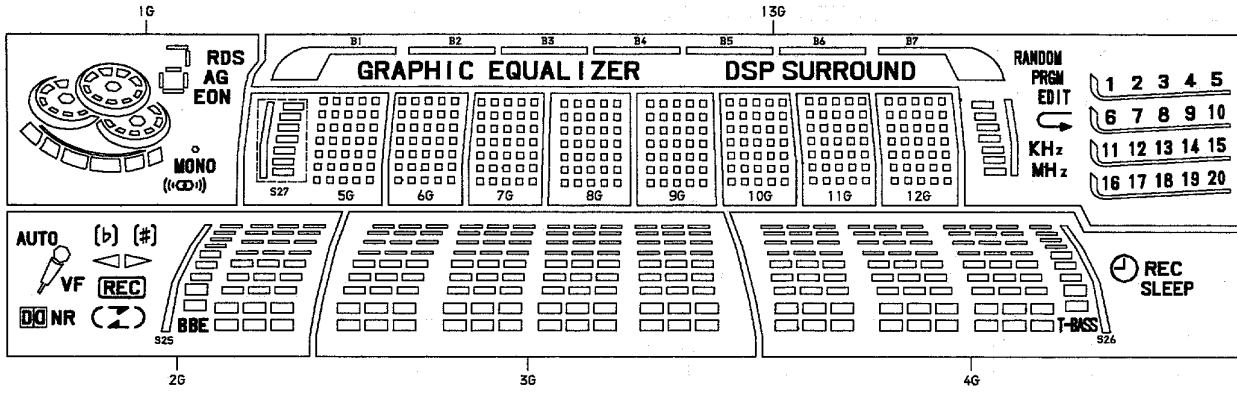


IC, BU1920FS



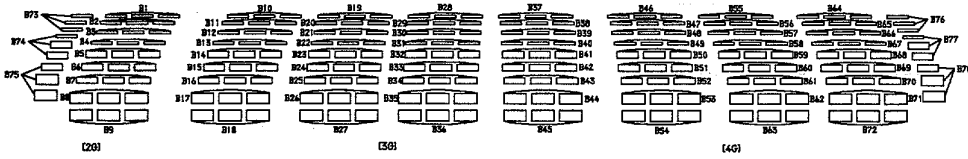
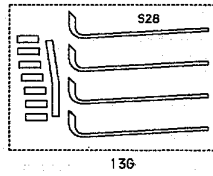
# FL (BJ687GK-ZNF6) GRID ASSIGNMENT & ANODE CONNECTION

## GRID ASSIGNMENT






1-1	2-1	3-1	4-1	5-1
1-2	2-2	3-2	4-2	5-2
1-3	2-3	3-3	4-3	5-3
1-4	2-4	3-4	4-4	5-4
1-5	2-5	3-5	4-5	5-5
1-6	2-6	3-6	4-6	5-6
1-7	2-7	3-7	4-7	5-7
1-8	2-8	3-8	4-8	5-8

(1G-12G)



ANODE CONNECTION

	1G	2G	3G	4G	5G	6G~12G	13G
P1	<b>EON</b>	B9	B45	<b>REC</b>	1-1	1-1	<b>DSP SURROUND</b>
P2	<b>AG</b>	 NR	B36	B72	2-1	2-1	<b>GRAPHIC EQUALIZER</b>
P3	○	<b>BBE</b>	B27	B63	3-1	3-1	B7
P4	<b>MONO</b>	S25	B18	B54	4-1	4-1	B6
P5	(∞)	B8	B44	⊖	5-1	5-1	B5
P6	<b>RDS</b>	⌒	B35	B71	1-2	1-2	B4
P7	b	Σ	B26	B62	2-2	2-2	B3
P8	c	)	B17	B53	3-2	3-2	B2
P9	a, g, d	B7	B43	<b>SLEEP</b>	4-2	4-2	B1
P10	e	<b>REC</b>	B34	B70	5-2	5-2	<b>RANDOM</b>
P11	S1	◁	B25	B61	1-3	1-3	<b>PRGM</b>
P12	S12	▷	B16	B52	2-3	2-3	<b>EDIT</b>
P13	S13	B6	B42	<b>T-BASS</b>	3-3	3-3	
P14	S20	b #	B33	B69	4-3	4-3	<b>KHz</b>
P15	S14	⌒ (b) ⌒	B24	B60	5-3	5-3	<b>MHz</b>
P16	S11	⌒ (#) ⌒	B15	B51	1-4	1-4	S28
P17	S19	B5	B41	B78	2-4	2-4	<b>16</b>
P18	S15	B75	B32	B68	3-4	3-4	<b>11</b>
P19	S18	B74	B23	B59	4-4	4-4	<b>6</b>
P20	S16	B73	B14	B50	5-4	5-4	<b>1</b>
P21	S17	B4	B40	B77	1-5	1-5	<b>17</b>
P22	S3	 <b>VF</b>	B31	B67	2-5	2-5	<b>12</b>
P23	S24	<b>AUTO</b>	B22	B58	3-5	3-5	<b>7</b>
P24	S23	—	B13	B49	4-5	4-5	<b>2</b>
P25	S9	B3	B39	B76	5-5	5-5	<b>18</b>
P26	S8	—	B30	B66	1-6	1-6	<b>13</b>
P27	S7	—	B21	B57	2-6	2-6	<b>8</b>
P28	S6	—	B12	B48	3-6	3-6	<b>3</b>
P29	S5	B2	B38	B26	4-6	4-6	<b>19</b>
P30	S4	—	B29	B65	5-6	5-6	<b>14</b>
P31	S2	—	B20	B56	1-7	1-7	<b>9</b>
P32	S22	—	B11	B47	2-7	2-7	<b>4</b>
P33	S21	B1	B37	—	3-7	3-7	<b>20</b>
P34	S10	—	B28	S64	4-7	4-7	<b>15</b>
P35	—	—	B19	S55	5-7	5-7	<b>10</b>
P36	—	—	B10	S46	S27	—	<b>5</b>

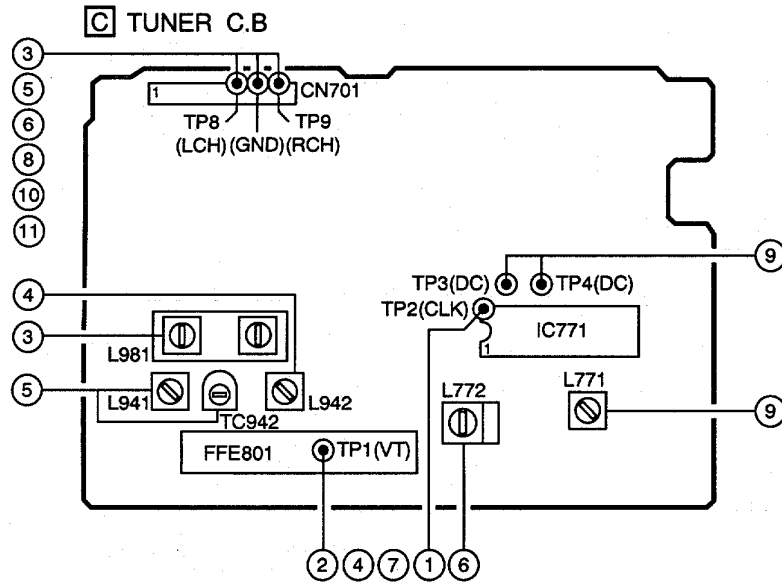
# IC DESCRIPTION

IC, LC876572V-5K54

Pin No.	Pin Name	I/O	Description
1	CLK	O	CLOCK output for MAIN,FRONT PWB.
2	DATA	O	DATA output for MAIN, FRONT PWB.
3	STB (M)	O	Data latch strobe output for MAIN PWB.
4	O-LED	O	LED ON/ OFF output.
5	STB (SHIFT)	O	Latch strobe output for FRONT shift register.
6	RYM-CS	O	Latch strobe output for RHYTHM IC.
7	PLL-CE	O	PLL IC chip enable output.
8	GEQ-CE (NC)	O	GEQ IC chip enable output. (Not connected)
9	O-CLK SHIFT	O	TUNER CLOCK SHIFT output.
10	I-TM-BASE	I	REFERENCE CLOCK input for timer watch.
11	RESET	I	Reset input.
12	I-DISH	I	CD turntable photo sensor A/D converter input.
13	I-HP-MUTE	I	Headphone input for MUTE by PROLOGIC.
14	VSS 1	-	GND.
15	CF 1	-	9.43MHz oscillator circuit.
16	CF 2	-	
17	VDD 1	-	Power supply input.
18	I-HOLD	I	Power failure detection input.
19	I-KEY-1	I	KEY input.(A/D)
20	I-KEY-2	I	
21	I-KEY-3	I	
22	I-CD SW	I	CD mechanical switch A/D converter input.
23	I-RTVR	I	Rotary volume A/D level input.
24	I-JOG	I	JOG dial A/D level input.
25	I-MIC	I	Microphone input for AUTO VF.
26	I-TU-SIG / MS	I	Tuner signal and deck music sensor signal input.
27	I-SPEANA	I	A/D input for spectrum analyzer display.
28	I-WRQ / RDS-CLK	I	CD WRQ input / Tuner RDS clock input.
29	I-RMC	I	System remote control signal input.
30 ~ 42	G13 ~ G1	O	FL GRID output G13 ~ G1.
43 ~ 45	P36 ~ P34	O	FL SEGMENT output P36 ~ P34.
46	VDD3	-	Power supply input.
47	P33 / SPEANA-A	O	FL segment P33 output / Spectrum analyzer band switching ouput A.
48	P32 / SPEANA-B	O	FL segment P32 output / Spectrum analyzer band switching ouput B.
49	P31 / SPEANA-C	O	FL segment P31 output / Spectrum analyzer band switching ouput C.
50	P30 / RHYM	I/O	FL segment P30 output / RHYTHM input to diode.
51	-VP	-	Power supply input for FL display.
52	P29 / AM-ST	I/O	FL segment P29 output / AM-ST input to diode (Not connected).
53	P28 / LW	I/O	FL segment P28 output / LW input to diode.
54	P27 / SW	I/O	FL segment P27 output / SW input to diode.

Pin No.	Pin Name	I/O	Description
55	P26 / FM1	I/O	FL segment P26 output / FM1 (OIRT) input to diode (Not connected).
56	P25 / RDS	I/O	FL segment P25 output / RDS input to diode.
57	P24 / R+1	I/O	FL segment P24 output / RVS+1 way input to diode (Not connected).
58	P23 / DSP	I/O	FL segment P23 output / DSP input to diode.
59	P22 / PRO / 5.1	I/O	FL segment P22 output / PRO/5.1 input to diode (Not connected).
60	P21 / K-CON	I/O	FL segment P21 output / K-CON input to diode (Not connected).
61	P20 / DOLBY	I/O	FL segment P20 output / DOLBY input to diode.
62	P19 / PRO	I/O	FL segment P19 output / PRO input to diode (Not connected).
63	P18 / AM10K	I/O	FL segment P18 output / AM 10KHz input to diode (Not connected).
64	P17 / CTS2	I/O	FL segment P17 output / DECK2 cassette detect switch data input.
65	P16 / REB	I/O	FL segment P16 output / DECK2 sideB record OK switch data input.
66	P15 / CAM2	I/O	FL segment P15 output / DECK2 CAM switch data input.
67	P14 / AUTO1	I/O	FL segment P14 output / DECK1 AUTO stop signal input.
68	P13 / AUTO2	I/O	FL segment P13 output / DECK2 AUTO stop signal input.
69	P12 / CAM1	I/O	FL segment P12 output / DECK1 CAM switch data input.
70	P11 / CTS1	I/O	FL segment P11 output / DECK1 cassette detect switch data input.
71	P10 / REA	I/O	FL segment P10 output / DECK2 sideA record OK switch data input.
72	VDD4	-	Power supply input.
73	P9 / M-GEQ	I/O	FL segment P9 output / M-GEQ input to diode.
74	P8 / STANDBY	I/O	FL segment P8 output / STANDBY input to diode.
75 ~ 81	P7 ~ P1	O	FL segment P7 ~ P1 output.
82	O-KEYSCAN	O	Switch SCAN timing output.
83	TRAYCLOSE	O	CD tray close data output.
84	TRAYOPEN	O	CD tray open data output.
85	DISH-FWD	O	CD turntable forward rotation output.
86	DISH-REV	O	CD turntable reverse rotation output.
87	O-DATA	O	CD data output.
88	O-CDCLK	O	CD clock output.
89	VSS2	-	GND.
90	VDD2	-	Power supply input.
91	O-MOTOR	O	Deck motor ON / OFF output.
92	O-MUTE	O	System mute ON / OFF output.
93	SOL1	O	Deck1 solenoid output.
94	SOL2	O	Deck2 solenoid output.
95	O-POWER	O	System power supply ON / OFF output.
96	I-IFC	I	Tune IF count serial data input.
97	I-STEREO / I-DRF	I	Tuner stereo detected input / DRF input.
98	I-RDS-DATA	I	RDS data input (Not used).
99	I-SUBQ	I	CD SUBQ data input.
100	O-CDCE	O	CD chip enable output.

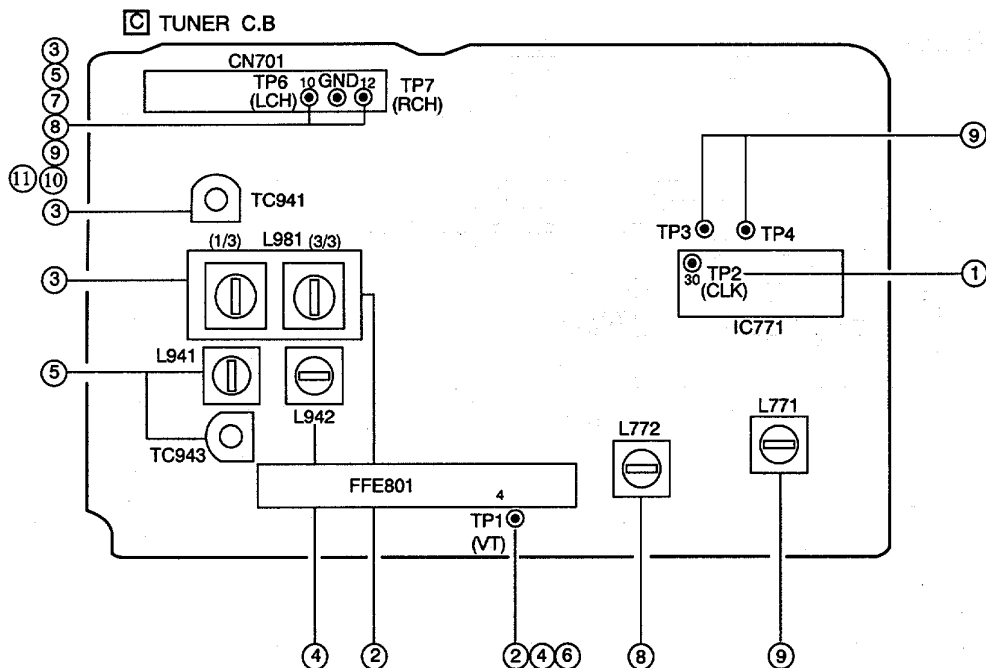
ADJUSTMENT - 1 <TUNER / DECK / FRONT : EZ, K>



<TUNER SECTION >

1. Clock Frequency Check
  - Settings : • Test point : TP2 (CLK)
  - Method : Set to MW 1602kHz and check that the test point is 2052kHz  $\pm$  45Hz.
2. MW VT Check
  - Settings : • Test point : TP1 (VT)
  - Method : Set to MW 1602kHz and check that the test point is less than 8.0V. Then set to MW 531kHz and check that the test point is more than 0.6V.
3. MW Tracking Adjustment
  - Settings : • Test point : TP8 (Lch), TP9 (Rch)
  - Adjustment location : L981 (1/3)
  - Method : Set to MW 999kHz and adjust L981 (1/3) so that the test point becomes maximum.
4. LW VT Adjustment
  - Settings : • Test point : TP1 (VT)
  - Adjustment location : L942
  - Method : Set to LW 144kHz and adjust L942 so that the test point becomes 1.3V  $\pm$  0.05V. Then set to LW 290kHz and check that the test point is less than 8.0V.
5. LW Tracking Adjustment
  - Settings : • Test point : TP8 (Lch), TP9 (Rch)
  - Adjustment location : L941 ..... 144kHz  
TC942 ..... 290kHz
  - Method : Set up TC942 to center before adjustment. The level at 144kHz is adjusted to MAX by L941. Then the level at 290kHz is adjusted to MAX by TC942.
6. MW IF Adjustment
  - Settings : • Test point : TP8 (Lch), TP9 (Rch)
  - Adjustment location : L772 ..... 450kHz
7. FM VT Check
  - Settings : • Test point : TP1 (VT)
  - Method : Set to FM 108.0MHz and check that the test point is less than 8.0V. Then set to FM 87.5MHz and check that the test point is more than 0.5V.
8. FM Tracking Check
  - Settings : • Test point : TP8 (Lch), TP9 (Rch)
  - Method : Set to FM 98.0MHz and check that the test point is less than 13dB $\mu$ V.
9. DC Balance / Mono Distortion Adjustment
  - Settings : • Test point : TP3, TP4 (DC balance)
  - Adjustment location : L771
  - Input level : 60dB $\mu$ V
  - Method : Set to FM 98.0MHz and adjust L771 so that the voltage between TP3 and TP4 becomes 0V  $\pm$  0.04V. Next, check that the distortion is less than 1.3%.
10. Output Level Check
  - <MW>
  - Settings : • Test point : TP8 (Lch), TP9 (Rch)
  - Input level : 74dB $\mu$ V
  - Method : Set to MW 999kHz and check that the test point is 130mV  $\pm$  3dB.
  - <FM>
  - Settings : • Test point : TP8 (Lch), TP9 (Rch)
  - Input level : 60dB $\mu$ V
  - Method : Set to FM 98.0MHz and check that the test point is 520mV  $\pm$  3dB.
11. FM Separation Check
  - Settings : • Test point : TP8 (Lch), TP9 (Rch)
  - Input level : 60dB $\mu$ V
  - Method : Set to FM 98.0MHz and check that the test point is more than 12dB.

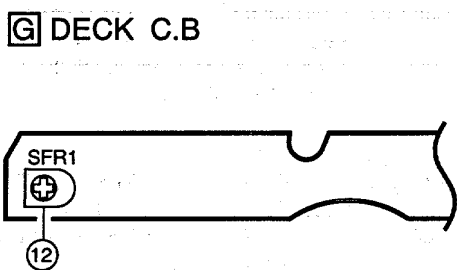
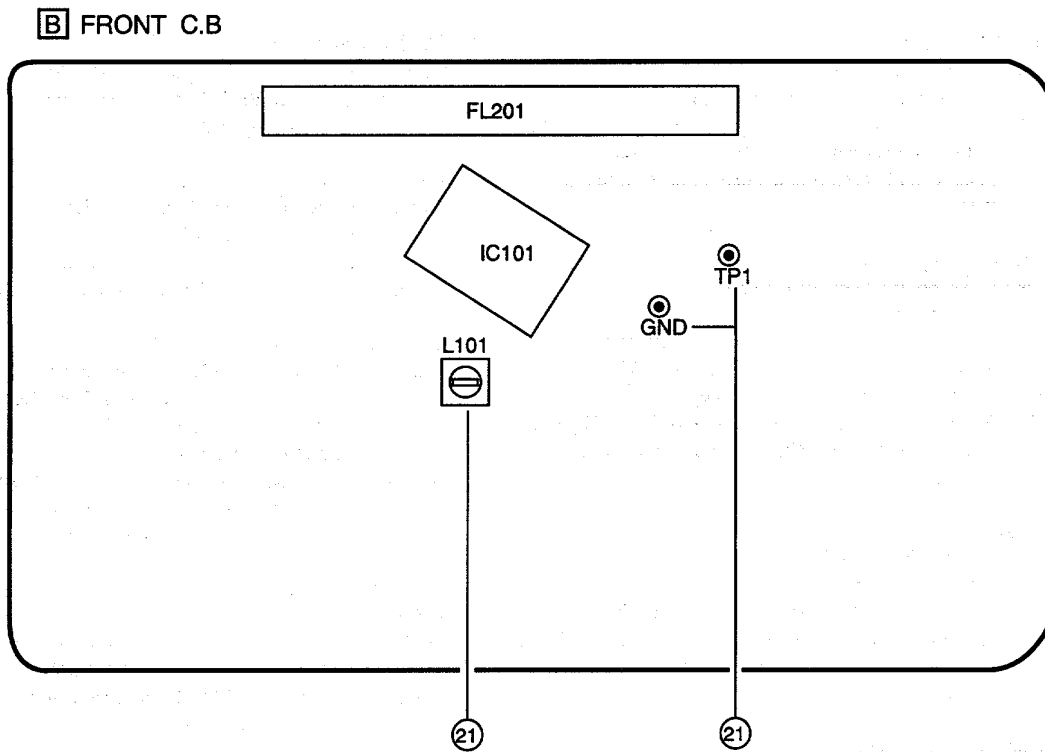
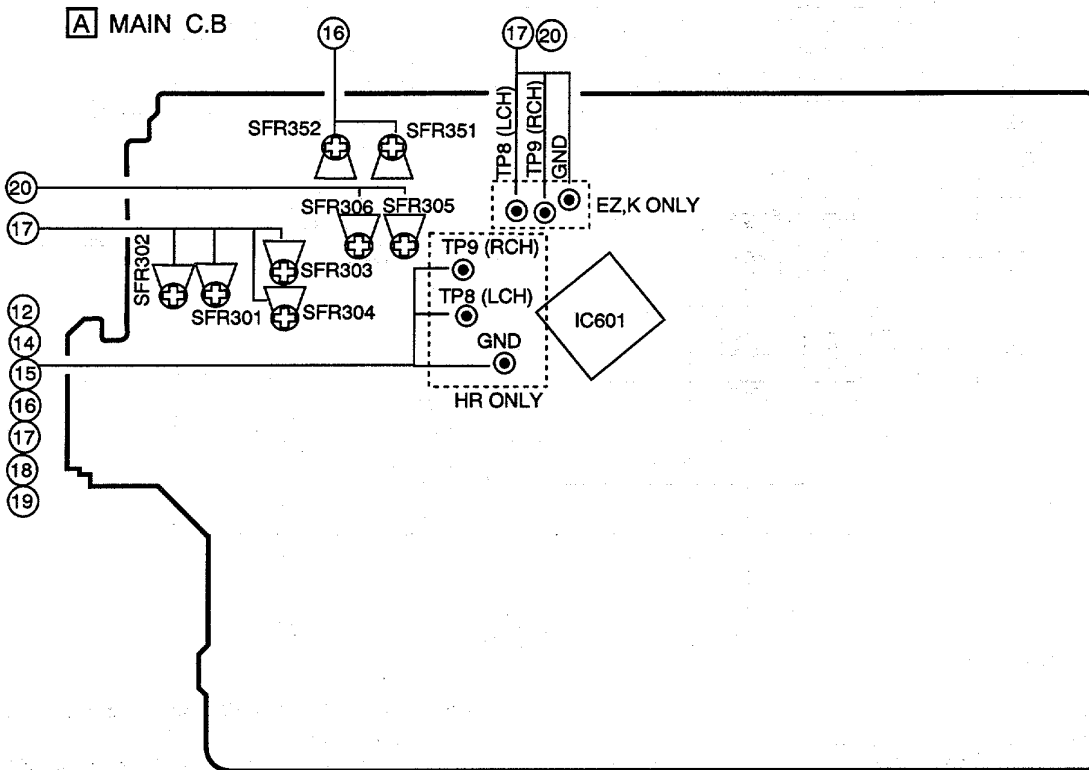
## ADJUSTMENT – 2 <TUNER / DECK / FRONT : HR>



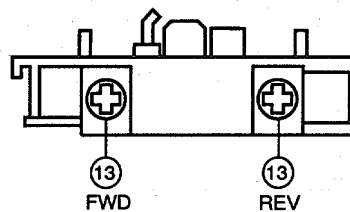
### < TUNER SECTION >

1. Clock Frequency Check
  - Settings : • Test point : TP2 (CLK)
  - Method : Set to MW1602kHz and check that the test point is 2052kHz  $\pm$  45Hz.
2. MW VT Adjustment
  - Settings : • Test point : TP1 (VT)
  - Adjustment location : L981 (3/3)
  - Method : Set to MW 1710kHz and adjust L981 (3/3) so that the test point becomes 8.0V  $\pm$  0.05V. Then set to MW 530kHz and check that the test point is more than 0.3V.
3. MW Tracking Adjustment
  - Settings : • Test point : TP6 (Lch), TP7 (Rch)
  - Adjustment location :
    - L981 (1/3) ..... 603kHz
    - TC941 ..... 1404kHz
  - Method : Set up TC941 to center before adjustment. The level at 603kHz is adjust to max. by L981 (1/3). Then the level at 1404kHz is adjust to max. by TC941.
4. SW VT Adjustment
  - Settings : • Test point : TP1 (VT)
  - Adjustment location : L942
  - Method : Set to SW 17.9MHz and adjust L942 so that the test point becomes 7.0V  $\pm$  0.05V. Then set to SW 5.9MHz and check that the test point is more than 0.3V.
5. SW Tracking Adjustment
  - Settings : • Test point : TP6 (Lch), TP7 (Rch)
  - Adjustment location :
    - L941 ..... 5.9MHz
    - TC943 ..... 17.9MHz
  - Method : Set up TC943 to center before adjustment. The level at 5.9MHz is adjust to max. by L941. Then the level at 17.9MHz is adjust to max. by TC943.
6. FM VT Check
  - Settings : • Test point : TP1 (VT)
7. FM Tracking Check
  - Settings : • Test point : TP6 (Lch), TP7 (Rch)
  - Method : Set to FM 98.0MHz and check that the test point is less than 9.0dB $\mu$ V.
8. AM IF Adjustment
  - Settings : • Test point : TP6 (Lch), TP7 (Rch)
  - Adjustment location :
    - L772 ..... 450kHz
  - Method : Adjust L772 so that the output becomes max.
9. DC Balance / Mono Distortion Adjustment
  - Settings : • Test point : TP3, TP4 (DC Balance)
  - TP6 (Lch), TP7 (Rch) (Distortion)
  - Adjustment location : L771
  - Input level : 60dB $\mu$ V
  - Method : Set to FM 98.0MHz and adjust L771 so that the voltage between TP3 and TP4 becomes 0V  $\pm$  0.04V. Next, check that the distortion is less than 1.3%.
10. Output Level Check
  - <MW>
    - Settings : • Test point : TP8 (Lch), TP9 (Rch)
    - Input level : 74dB $\mu$ V
    - Method : Set to MW 999kHz and check that the test point is 130mV  $\pm$  3dB.
  - <FM>
    - Settings : • Test point : TP8 (Lch), TP9 (Rch)
    - Input level : 60dB $\mu$ V
    - Method : Set to FM 98.0MHz and check that the test point is 520mV  $\pm$  3dB.
11. FM Separation Check
  - Settings : • Test point : TP8 (Lch), TP9 (Rch)
  - Input level : 60dB $\mu$ V
  - Method : Set to FM 98.0MHz and check that the test point is more than 25dB.





**DECK-1 P, DECK-2 R/P/E HEAD**



< DECK SECTION >

12. Tape Speed Adjustment (DECK 1, DECK 2)

- Settings : • Test tape : TTA-100(3KHz)  
• Test point : TP8(Lch), TP9(Rch)  
• Adjustment location : SFR1

Method : Play back the test tape and adjust SFR1 so that the frequency counter reads 3000Hz  $\pm$  5Hz and  $\pm$ 45Hz (REV) with respect to forward speed.

13. Head Azimuth Adjustment (DECK 1, DECK 2)

- Settings : • Test tape : TTA-300(10KHz)  
• Test point : TP8(Lch), TP9(Rch)  
• Adjustment location : Head azimuth adjustment screw

Method : Play back (FWD) the 10kHz signal of the test tape and adjust screw so that the output becomes maximum. Next, perform on REV PLAY mode.

14. PB Frequency Response Check (DECK 1, DECK 2)

- Settings : • Test tape : TTA-300(315/10KHz)  
• Test point : TP8(Lch), TP9(Rch)

Method : Play back the 315Hz and 10kHz signals of the test tape and check that the output ratio of the 10kHz signal with respect to that of the 315Hz signal is within 3dB.

15. PB Sensitivity Check (DECK 1, DECK 2)<HR>

- Settings : • Test tape : TTA-200(400Hz)  
• Test point : TP8(Lch), TP9(Rch)

Method : Play back the test tape and check that the output level of the test point is 400mV  $\pm$  3dB.

16. REC/PB Frequency Response Adjustment (DECK 2)

- Settings : • Test tape : TTA-602(Normal)  
• Test point : TP8(Lch), TP9(Rch)  
• Input signal : 1kHz / 10kHz (LINE IN)  
• Adjustment location : SFR351 (Lch)  
SFR352 (Rch)

Method : Apply a 1kHz signal and REC mode. Then adjust OSC attenuator so that the output level at the TP8, TP9 becomes 0dB(HR:28mV, EZ,K: 18mV). Record and play back the 1kHz and 10kHz signals and adjust SFRs so that the output of the 10kHz signals becomes 0dB  $\pm$  0.5dB with respect to that of the 1kHz signal.

17. PB Sensitivity Adjustment (DECK 1, DECK 2)<EZ,K>

- Settings : • Test tape : TTA-200(400Hz)  
• Test point : TP8(Lch), TP9(Rch)  
• Adjustment location : SFR301 (DECK1: Lch)  
SFR302 (DECK1: Rch)  
SFR303 (DECK2: Lch)  
SFR304 (DECK2: Rch)

Method : Play back the test tape and adjustment SFRs so that the output level of the test point become 260mV $\pm$ 10mV(DECK 1), 245mV $\pm$ 10mV(DECK 2).

18. REC/PB Frequency Response Check (DECK 2)

- Settings : • Test tape : TTA-615(CrO<sub>2</sub>)  
• Test point : TP8(Lch), TP9(Rch)  
• Input signal : 1kHz / 10kHz (LINE IN)

Method : Apply a 1kHz signal and REC mode. Then adjust OSC attenuator so that the output level at the TP8, TP9 becomes 0dB(HR: 28mV, EZ,K: 18mV). Record and play back the 1kHz and 10kHz signals and check that the output of the 10kHz signals is 0dB  $\pm$  2dB with respect to that of the 1kHz signal.

19. REC/PB Sensitivity Check (DECK 2)<HR>

- Settings : • Test tape : TTA-602(Normal), TTA-615(CrO<sub>2</sub>)  
• Test point : TP8(Lch), TP9(Rch)  
• Input signal : 1kHz (LINE IN)

Method : Apply a 1kHz signal and REC mode. Then adjust OSC attenuator so that the output level at TP8, TP9 becomes 0dB (280mV). Record and play back the 1kHz signals and check that the output is -1  $\pm$  3.0dB.

20. REC/PB Sensitivity Adjustment (DECK 2)<EZ,K>

- Settings : • Test tape : TTA-602(Normal)  
• Test point : TP8(Lch), TP9(Rch)  
• Input signal : 1kHz (LINE IN)  
• Adjustment location : SFR305 (Rch)  
SFR306 (Lch)

Method : Apply a 1kHz signal and REC mode. Then adjust OSC attenuator so that the output level at the test point becomes 180mV. Record and play back the 1 KHz signal and adjust SFRs so that the output level becomes 0dB  $\pm$  0.5dB.

< FRONT SECTION >

21.  $\mu$ -CON OSC Adjustment

- Settings : • Test point : TP1  
• Adjustment location : L101

Method : Insert AC plug with pressing of TUNER function key. Adjust L101 so that the frequency across the test point is 208.82Hz  $\pm$  0.2Hz.

# PRACTICAL SERVICE FIGURE

## <TUNER SECTION>

### <FM SECTION>

IHF Sensitivity : HR:  
(THD 3%) Less than 10 / 9 / 9dB  
[at 87.5 / 98.0 / 108.0MHz]  
EZ,K:  
Less than 14 / 13 / 13dB  
[at 87.5 / 98.0 / 108.0MHz]

S/N 50dB Quieting sensitivity :  
HR:  
Less than 35dB [at 98.0MHz]  
EZ,K:  
Less than 38dB [at 98.0MHz]

Signal to noise ratio : Mono : More than 68dB  
Stereo : More than 62dB  
[at 98.0MHz]

Distortion : Mono : Less than 1.2%  
Stereo : Less than 2.0%  
[at 98.0MHz / 83.0MHz]

Auto stop level : 25dB ± 10dB [at 98.0MHz]

Stereo separation : HR:  
More than 22dB [at 98.0MHz]  
EZ,K:  
More than 12dB [at 98.0MHz]

Intermediate frequency : 10.7MHz

### LW SECTION><EZ,K>

Sensitivity : Less than 70 / 68 / 66dBV  
(S/N 20 dB) [at 144 / 198 / 290kHz]

### SW SECTION><HR>

Sensitivity : Less than 51 / 45 / 44dBV  
(S/N 20 dB) [at 5.9 / 12.0 / 17.9MHz]

Overload signal distortion :  
Less than 10%

### <MW SECTION>

Sensitivity : Less than 60dB  
(S/N 20 dB) [at 600kHz / 603kHz]  
Less than 58dB  
[at 1000kHz / 999kHz]  
Less than 58dB  
[at 1400kHz / 1404kHz]

Signal to noise ratio : More than 36dB  
[at 1000kHz / 999kHz]

Distortion : Less than 1.5%  
[at 1000kHz / 999kHz]

Auto stop level : 52dB +10/-15dB  
[at 1000kHz / 999kHz]

Intermediate frequency : 450kHz

## <DECK SECTION>

Tape speed : 3000Hz ± 45Hz  
Wow & flutter : Less than 0.21%  
(W.R.M.S)  
Take-up torque : 30 ~ 55g-cm  
(FWD, REV)  
F.F torque : 75 ~ 180g-cm  
REW torque : 75 ~ 180g-cm  
Back tension : 2 ~ 7g-cm  
(FWD, REV)  
PB output level : HR: 220mV ± 3dB  
(SP OUT 2V)  
EZ,K: 220mV ± 3dB(DECK 1)  
205mV ± 3dB(DECK 2)

REC/PB output level : HR:  
-1.5dB ± 3dB (NORM, CrO<sub>2</sub>)  
(SP OUT 2V)  
EZ,K:  
0dB ± 1.0dB (0VU, NORM, CrO<sub>2</sub>)

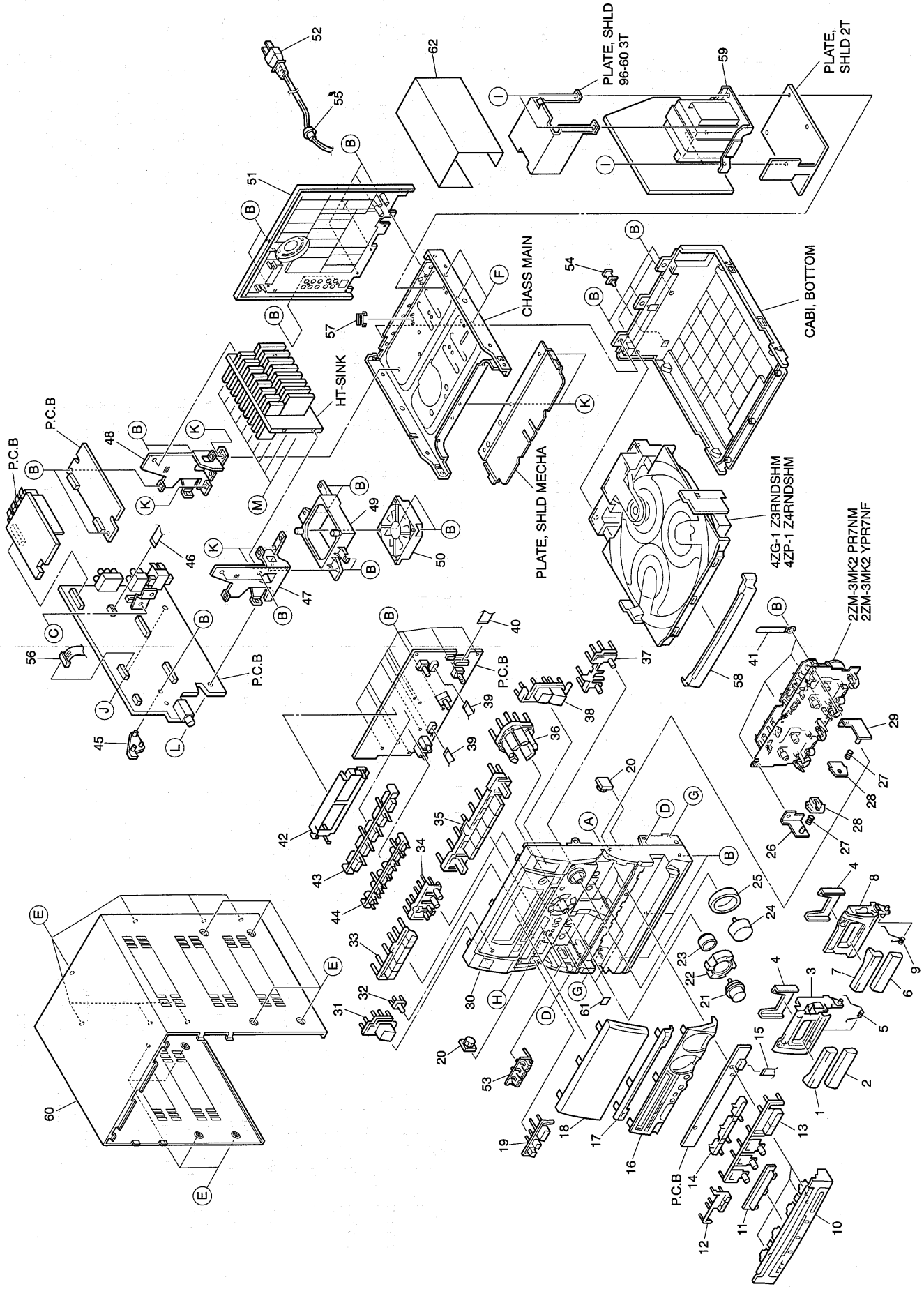
Distortion (REC/PB) : Less than 2.0%  
HR: (NORM, CrO<sub>2</sub>)  
EZ,K: (0VU, NORM, CrO<sub>2</sub>)

Noise level (PB) : Less than 1.5mV  
HR: (NORM, SP OUT 2V)  
EZ,K: (NORM, FILTER DIN AUDIO)

Noise level (REC/PB) : Less than 1.5mV  
HR: (NORM, SP OUT 2V)  
EZ,K: (NORM, FILTER DIN AUDIO)

Erasing ratio : More than 60dB  
(at 125Hz, +10VU, CrO<sub>2</sub>)  
TTA-602 (NORMAL)  
TTA-615 (CrO<sub>2</sub>)

Test tape :



# MECHANICAL PARTS LIST 1 / 1

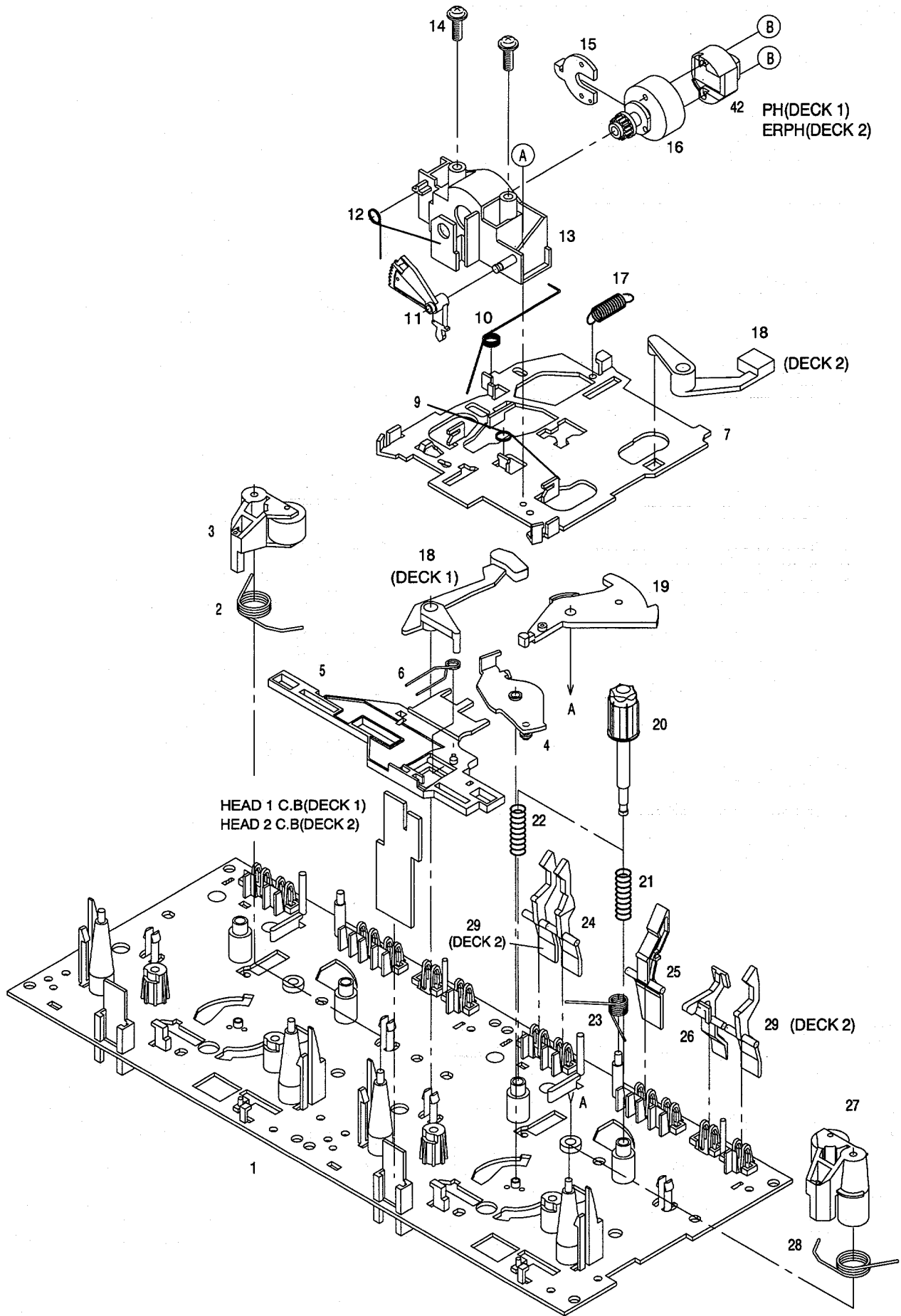
If can't understand for Description please kindly refer to "REFERENCE NAME LIST".

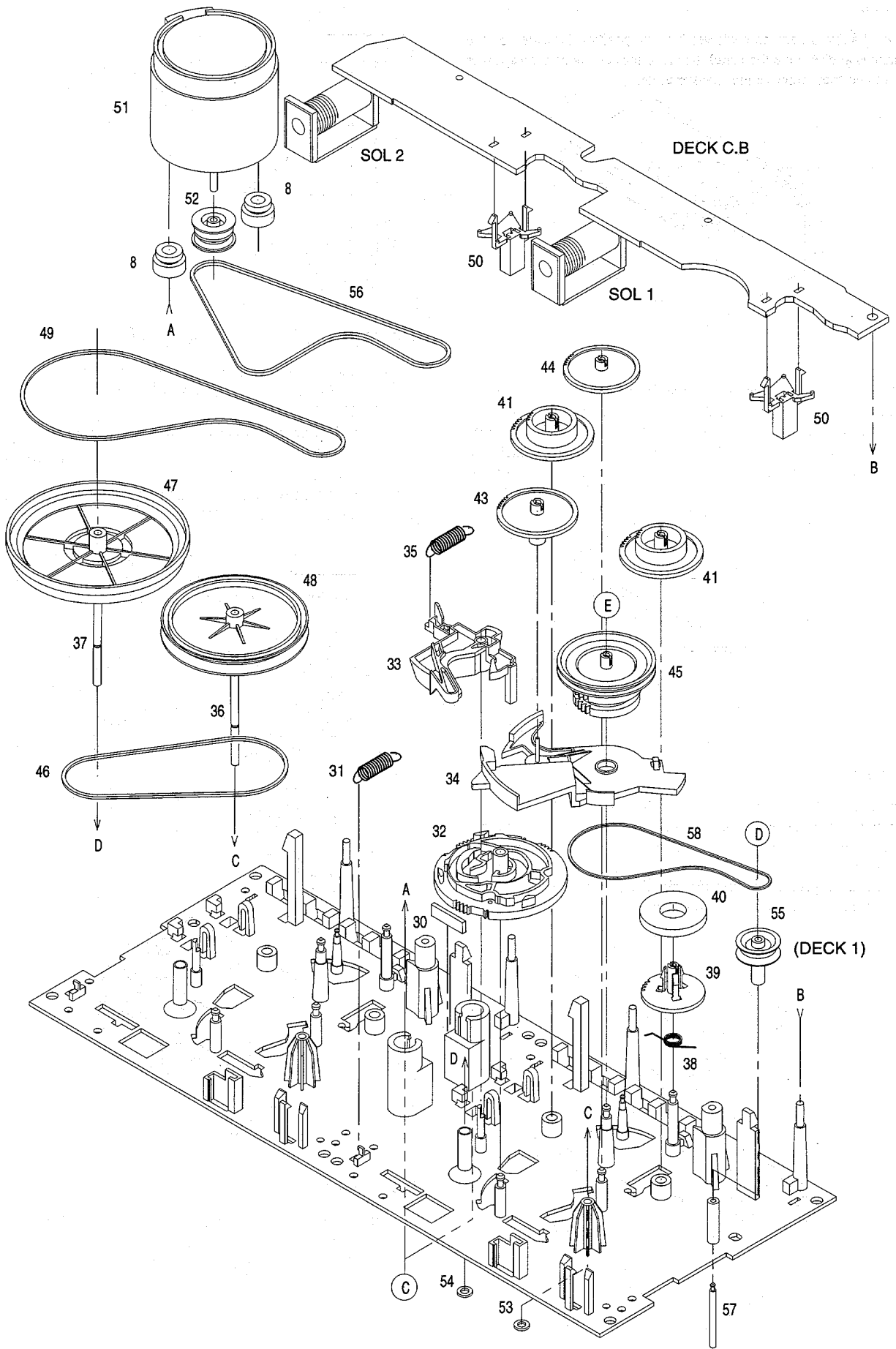
REF. NO.	PART NO.	KANRI NO.	DESCRIPTION	REF. NO.	PART NO.	KANRI NO.	DESCRIPTION
1	8Z-NF6-012-010		PANEL,CASS 1 U	40	88-913-551-110		FF-CABLE, 13P 1.25 550MM
2	8Z-NF6-014-010		WINDOW,CASS 1	41	87-064-185-010		HLDR,WIRE
3	8Z-NF6-003-010		BOX,CASS 1 U	42	88-NF6-205-010		GUIDE,FL 40-150- 9
4	86-NF6-061-010		REFLECTOR,CASS	43	8Z-NF6-202-010		GUIDE,FUN
5	8Z-NF5-218-010		SPR-T,EJECT 1 (SIN)	44	8Z-NF6-203-010		GUIDE,OPE
6	8Z-NF6-015-010		WINDOW,CASS 2	45	88-NF5-208-010		HLDR,PWB-M N
7	8Z-NF6-013-010		PANEL,CASS 2 U	46	88-906-701-110		FF-CABLE, 6P 1.25 700MM
8	8Z-NF6-004-010		BOX,CASS 2 U	47	8Z-NF5-214-010		HLDR,HT F
9	8Z-NF5-219-010		SPR-T,EJECT 2 (SIN)	48	8Z-NF5-215-010		HLDR,HT R
10	8Z-NF6-017-010		PANEL,CD EZ<EXCEPT HR>	49	8Z-NF5-219-010		HLDR,FAN
10	8Z-NF6-016-010		PANEL,CD U<HR>	50	87-A91-314-010		FAN,3110GL-B4W-B34-H02
11	8Z-NF6-049-010		REFLECTOR,CD	51	8Z-NF6-064-010		CABI,REAR EZSTE<888EZ>
12	8Z-NF6-039-010		KEY,DOLBY<EXCEPT HR>	51	8Z-NF6-069-010		CABI,REAR EZSTE898<898EZ>
12	8Z-NF6-036-010		KEY,EDIT<HR>	51	8Z-NF6-062-010		CABI,REAR HRJSTM<HR>
13	8Z-NF6-037-010		KEY,CD	51	8Z-NF6-065-010		CABI,REAR KSTE<K>
14	8Z-NF6-201-010		GUIDE,CD	△ 52	87-050-079-010		AC-CORD ASSY,E
15	88-906-301-110		FF-CABLE,6P-1.25	53	8Z-NF6-031-010		KEY,RDS<EXCEPT HR>
16	8Z-NF6-009-010		PANEL,FR EZ<EXCEPT HR>	54	84-ZG1-245-210		CAP,OPTICAL
16	8Z-NF6-007-010		PANEL,FR U<HR>	55	87-085-185-010		BUSHING, AC CORD (E)
17	8Z-NF6-008-010		PANEL,FUN	56	87-NF6-616-010		CONN ASSY,8P RPB
18	8Z-NF6-028-010		WINDOW,DISP EZ<K,888EZ>	57	87-NF4-221-010		HLDR,CABLE
18	8Z-NF6-029-010		WINDOW,DISP EZ898<898EZ>	△ 58	8Z-NF6-005-010		PANEL,TRAY U
18	8Z-NF6-027-010		WINDOW,DISP H<HR>	△ 59	8Z-NF6-624-010		PT,ZNF-6 EZ<EXCEPT HR>
19	8Z-NF6-030-010		KEY,REC	△ 59	8Z-NF6-623-010		PT,ZNF-6 HR<HR>
20	87-NF8-220-010		DMPR,150	60	8Z-NF5-033-010		CABI,STEEL F6
21	8Z-NF6-045-010		KNOB,RTRY JOG	61	81-532-080-010		LABEL, CASS. COMPT
22	8Z-NF6-010-010		PANEL,JOG	62	8Z-NF5-221-010		COVER, PWB PT
23	8Z-NF6-046-010		REFLECTOR,JOG	A	87-067-758-010		BVT2+3-12 W/O SLOT
24	8Z-NF6-044-010		KNOB,RTRY VOL	B	87-067-703-010		TAPPING SCREW, BVT2+3-10
25	8Z-NF6-011-010		RING,VOL	C	87-067-579-010		TAPPING SCREW, BVT2+3-8
26	87-NF4-216-010		HLDR,LOCK 1	D	87-591-094-410		TAPPING SCREW, QIT+3-6
27	86-NF9-224-010		SPR-C,LOCK	E	87-B10-091-010		UTT2+3-10 W/O BLK
28	8Z-NF5-229-010		PLATE,LOCK	F	87-591-095-410		TAPPING SCREW, QIT+3-8 (GLD)
29	87-NF4-217-110		HLDR,LOCK 2	G	87-721-097-410		QT2+3-12 GLD
30	8Z-NF6-002-010		CABI,FR EZ<EXCEPT HR>	H	87-723-096-410		QT2+3-10W/O SLOT BL
30	8Z-NF6-001-010		CABI,FR U<HR>	I	87-078-191-010		S-SCREW,IT+4-10
31	8Z-NF6-018-010		KEY,POWER	J	87-NF4-224-010		S-SCREW,IT3B+3-8 CU
32	8Z-NF6-048-010		REFLECTOR,ECO	K	87-067-688-010		BVTT+3-6
33	8Z-NF6-021-010		KEY,ASSY OPE				
34	8Z-NF6-038-010		KEY,PAD				
35	8Z-NF6-024-010		KEY,ASSY FUN				
36	8Z-NF6-034-010		KEY,JOG				
37	8Z-NF6-035-010		KEY,MIC				
38	8Z-NF6-019-010		KEY,BBE				
39	88-915-171-110		FF-CABLE, 15P 1.25 170MM				

## COLOR NAME TABLE

Basic color symbol	Color	Basic color symbol	Color	Basic color symbol	Color
B	Black	C	Cream	D	Orange
G	Green	H	Gray	L	Blue
LT	Transparent Blue	N	Gold	P	Pink
R	Red	S	Silver	ST	Titan Silver
T	Brown	V	Violet	W	White
WT	Transparent White	Y	Yellow	YT	Transparent Yellow
LM	Metallic Blue	LL	Light Blue	GT	Transparent Green
LD	Dark Blue	DT	Transparent Orange		

# TAPE MECHANISM EXPLODED VIEW 1 / 1





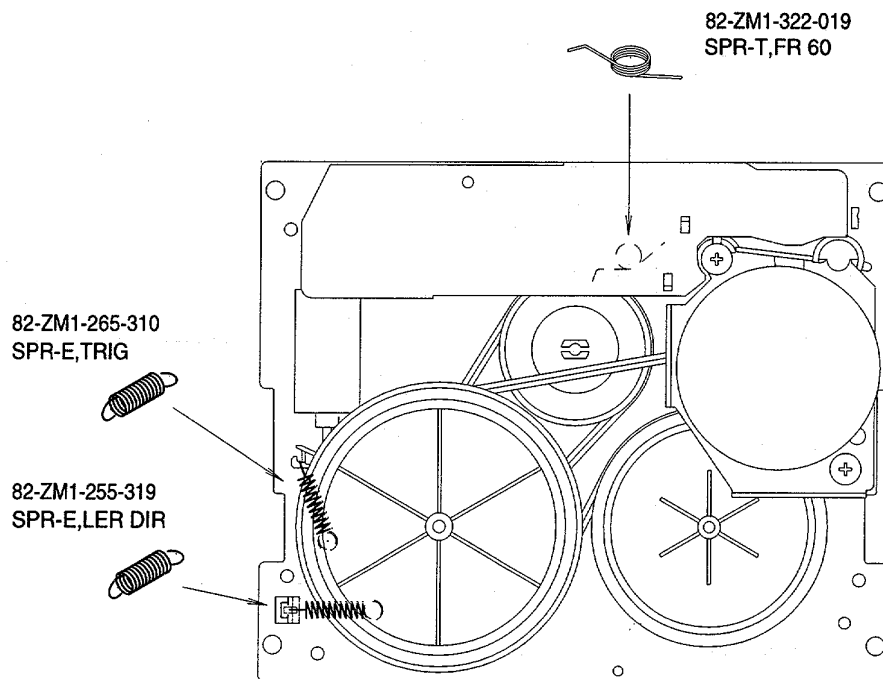
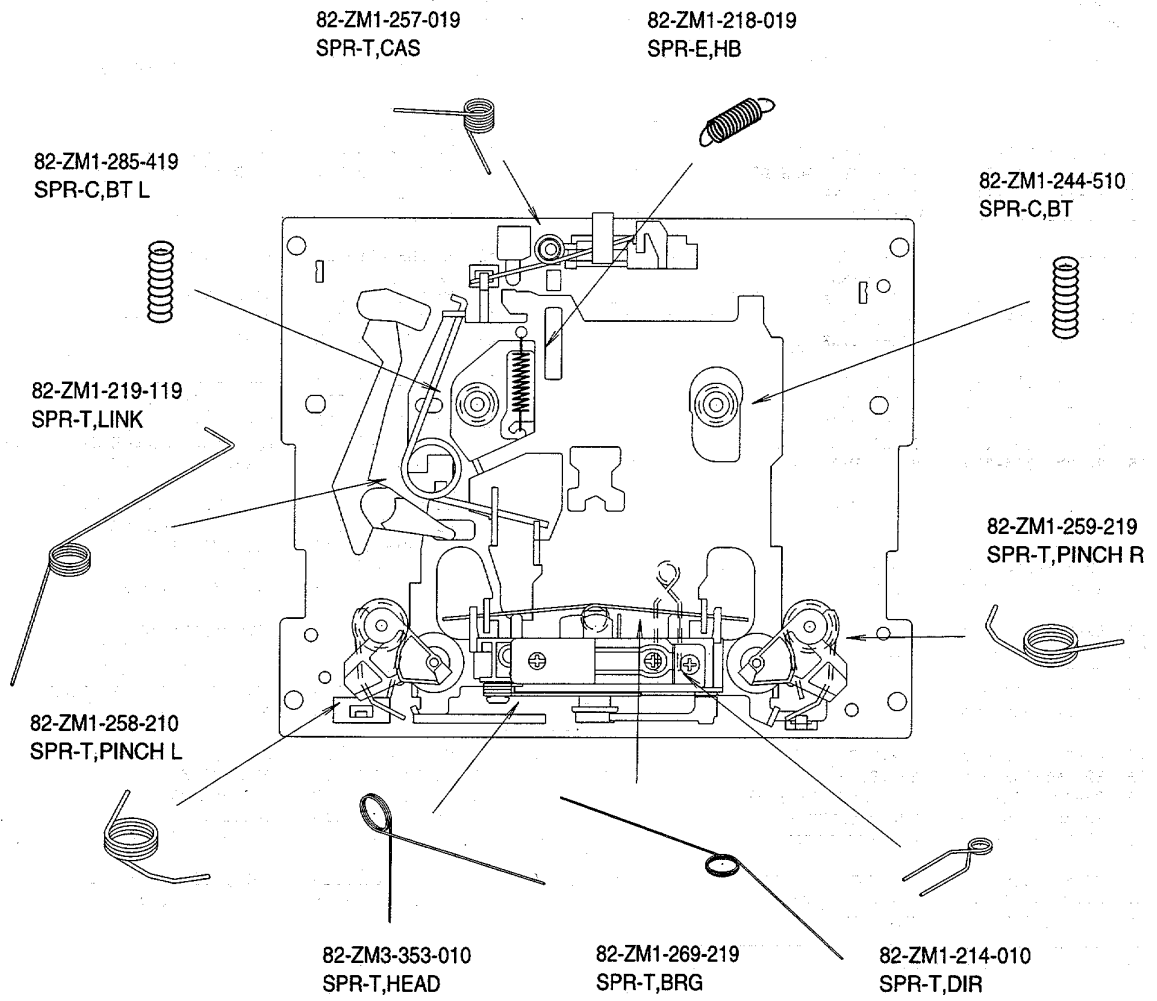
# TAPE MECHANISM PARTS LIST 1 / 1

If can't understand for Description please kindly refer to "REFERENCE NAME LIST".

REF. NO.	PART NO.	KANRI NO.	DESCRIPTION	REF. NO.	PART NO.	KANRI NO.	DESCRIPTION
1	82-ZM3-301-619		CHAS ASSY, M2	35	82-ZM1-265-310		SPR-E, TRIG
2	82-ZM1-258-219		SPR-T, PINCH L	36	82-ZM1-236-019		CAPSTAN N 2-41.5
3	82-ZM1-341-219		LVR ASSY, PINCH L2	37	82-ZM1-239-019		CAPSTAN N 2.2-41.7
4	82-ZM1-333-110		PLATE, LINK 2	38	82-ZM1-322-019		SPR-T, FR60
5	82-ZM1-266-310		LVR, DIR	39	82-ZM1-220-219		GEAR, IDLER
6	82-ZM1-214-919		SPR-T, DIR	40	82-ZM3-616-019		RING MAGNET 4
7	82-ZM1-206-81K		CHAS, HEAD	41	82-ZM1-216-519		GEAR, REEL
8	82-ZM3-307-019		CUSH-G, DIA3.7-8-3.2	42	87-A91-196-010		HEAD, PH KP9142
9	82-ZM1-269-219		SPR-T, BRG	42	87-A91-195-010		HEAD, RPH KC9142
10	82-ZM1-219-119		SPR-T, LINK	43	82-ZM1-225-21K		GEAR, FR
11	82-ZM1-210-119		GEAR, H T	44	82-ZM1-226-019		GEAR, REW
12	82-ZM3-353-010		SPR-T, HEAD	45	82-ZM3-333-310		SLIP DISK ASSY 2
13	82-ZM1-207-919		GUIDE, TAPE	46	82-ZM1-338-110		BELT FR4
14	86-ZM4-206-110		S-SCREW, AZIMUTH	47	82-ZM1-349-110		FLY-WHL, R W(DECK 2)
15	82-ZM1-314-119		PLATE, HEAD	47	82-ZM3-338-310		FLY-WHL, R3 W(DECK 1)
16	82-ZM1-208-319		HLDR, HEAD	48	82-ZM1-348-110		FLY-WHL, L W(DECK 2)
17	82-ZM1-218-019		SPR-E, HB	48	82-ZM1-348-110		FLY-WHL, L W(DECK 1)
18	82-ZM1-263-110		LVR, EJECT L (DECK 1)	49	82-ZM3-329-410		BELT, SBU R2
18	82-ZM1-264-010		LVR, EJECT R (DECK 2)	50	82-ZM1-245-210		HLDR, IC
19	82-ZM1-222-21K		LVR, PLAY	51	87-045-347-019		MOT, SHU2L 70 (M1)
20	82-ZM1-217-419		REEL TABLE	52	82-ZM3-221-210		PULLEY, MOT 2M
21	82-ZM1-244-510		SPR-C, BT	53	82-ZM1-288-019		SH, 1.63-3.2-0.5 SLT
22	82-ZM1-285-410		SPR-C, BT L	54	80-ZM6-243-019		SH, 1.75-3.6-0.5 SLT
23	82-ZM1-257-019		SPR-T, CAS	55	82-ZM3-335-310		PULLEY, COUPLER M3 (DECK 1)
24	82-ZM1-241-319		LVR, MC	56	82-ZM3-342-010		BELT, SBU MOT 2
25	82-ZM1-242-019		LVR, CAS	57	82-ZM3-339-110		SHAFT, COUPLER N3 (DECK 1)
26	82-ZM1-243-019		LVR, STOP	58	86-ZM1-206-010		BELT, MAIN L
27	82-ZM1-344-219		LVR ASSY, PINCH R2	A	85-ZM3-202-010		S-SCREW, TG
28	82-ZM1-259-219		SPR-T, PINCH R	B	80-ZM6-207-110		V+1.6-7
29	82-ZM1-240-119		LVR, REC (DECK 2)	C	82-ZM3-318-110		S-SCRW MOTOR M2
30	82-ZM3-340-010		SH, BELT D2	D	87-B10-043-010		W-P, 0.99-4-0.25 SLT
31	82-ZM1-255-319		SPR-E, LVR DIR	E	82-ZM3-334-010		PW, 2.16-6-0.4
32	82-ZM3-305-310		GEAR, CAM M2				
33	82-ZM1-227-319		LVR, TRIG				
34	82-ZM3-306-11K		LVR, FR M2				



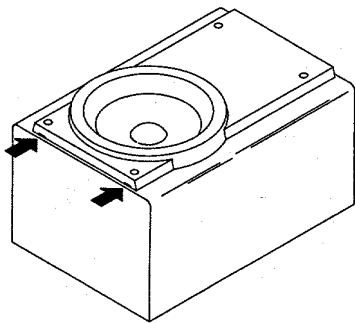
# SPRING APPLICATION POSITION



## SPEAKER DISASSEMBLY INSTRUCTIONS

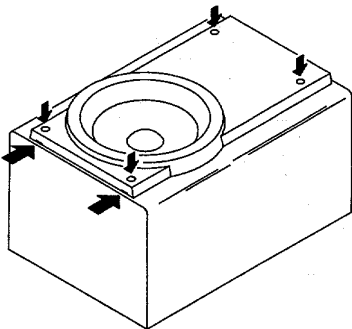
### Type.1

Insert a flat-bladed screwdriver into the position indicated by the arrows and remove the panel. Remove the screws of each speaker unit and then remove the speaker units.



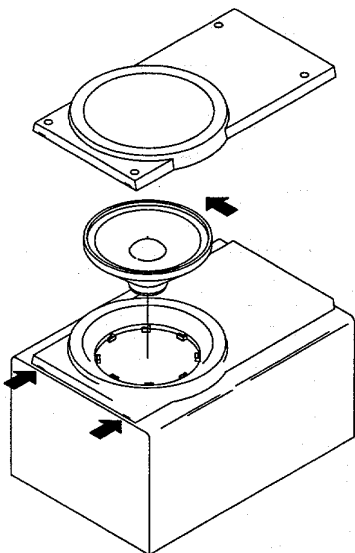
### Type.2

Remove the grill frame and four pieces of rubber caps by pulling out with a flat-bladed screwdriver. Remove the screws from hole where installed rubber caps. Insert a flat-bladed screwdriver into the position indicated by the arrows and remove the panel. Remove the screws of each speaker unit and then remove the speaker units.

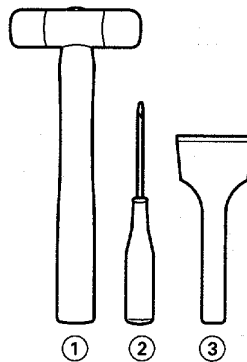


### Type.3

Insert a flat-bladed screwdriver into the position indicated by the arrows and remove the panel. Turn the speaker unit to counter-clockwise direction while inserting a flat-bladed screwdriver into one of the hollows around speaker unit, and then remove the speaker unit. After replacing the speaker unit, install it turning to clockwise direction until "click" sound comes out.



### Type.4



### TOOLS

- ① Plastic head hammer
- ② (⊖) flat head screwdriver
- ③ Cut chisel

### How to Remove the PANEL, FR

1. Insert the (⊖) flat head screwdriver tip into the gap between the PANEL, FR and the PANEL, SPKR. Tap the head of the (⊖) flat head screwdriver with the plastic hammer head, and create the clearance as shown in Fig-1.
2. Insert the cut chisel in the clearance, and tap the head of the cut chisel with plastic hammer as shown in Fig-2, to remove the PANEL, FR.
3. Place the speaker horizontally. Tap head of the cut chisel with plastic hammer as shown in Fig-3, and remove the PANEL, FR completely.

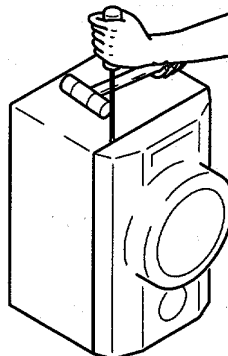


Fig-1

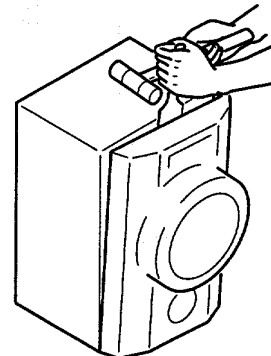


Fig-2

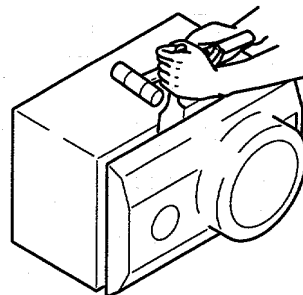


Fig-3

### How to Attach the PANEL, FR

Attach the PANEL, FR to the PANEL, SPKR. Tap the four corners of the PANEL, FR with the plastic hammer to fit the PANEL, FR into the PANEL, SPKR completely.

**SX-WNS888 (YLSTL)  
SPEAKER PARTS LIST**

If can't understand for Description please kindly refer to "REFERENCE NAME LIST".

REF. NO.	PART NO.	KANRI NO.	DESCRIPTION
1	8Z-NS6-002-010		PANEL, DUCT
2	8Z-NS6-003-010		PANEL, TOP
3	8Z-NS6-004-010		PANEL, BA
4	8Z-NS6-005-010		HLD, SP
5	8Z-NS6-006-010		PROTECTOR, TW
6	8Z-NS6-007-010		PROTECTOR, W
7	88-NS5-610-010		CORD, SPKR
8	88-NS5-611-010		CORD, SPKR B/L
9	8Z-NS6-602-010		SPKR, W 160
10	8Z-NS6-604-010		SPKR, M 120
11	8Z-NSY-608-010		SPKR, CERAMIC ASSY
12	8Z-NS6-012-010		PANEL, FR N
13	8Z-NS6-013-010		GRILLE, FRAME ASSY
14	86-NS5-012-010		BADGE, AIWA 35
15	8Z-NS6-001-010		PANEL, FR WNS888<YLSTL>

**SX-WNH898 (YTL)  
SPEAKER PARTS LIST**

If can't understand for Description please kindly refer to "REFERENCE NAME LIST".

REF. NO.	PART NO.	KANRI NO.	DESCRIPTION
1	8Z-NSZ-001-010		PANEL, FR
2	8Z-NSZ-003-010		GRILLE, FRAME ASSY
3	8Z-NSZ-007-010		CABI, T
4	8Z-NS6-602-110		SPKR, W 160
5	8Z-NS6-604-010		SPKR, M 120
6	8Z-NSY-608-010		SPKR, CERAMIC ASSY
7	88-NS5-610-010		CORD, SPKR
8	88-NS5-611-010		CORD, SPKR B/L

**ACCESSORIES / PACKAGE LIST**

If can't understand for Description please kindly refer to "REFERENCE NAME LIST".

REF. NO.	PART NO.	KANRI NO.	DESCRIPTION
1	8Z-NF6-901-010		IB, H(ECA)M<HR>
1	8Z-NF6-905-010		IB, K(E)E<K>
1	8Z-NF6-906-010		IB, EZ(9L)E<EZ>
1	8Z-NF6-916-010		IB, EZ(9L)M<EZ>
2	87-A90-054-010		ANT, LOOP AM-CON C<HR>
2	87-A90-030-010		ANT, LOOP AM-NC C<EZ, K>
3	87-043-115-010		ANT, FEEDER FM<HR>
3	87-043-106-010		WIRE, FM ANT (2)<EZ, K>
4	87-A91-017-010		PLUG, CONVERSION JT-0476<HR>
5	8Z-NF8-701-110		RC UNIT, RC-ZAS01<HR, EZ>
5	8Z-NF8-702-010		RC UNIT, RC-ZAS01<EZ, K>
6	87-043-095-010		WIRE ANTENNA<HR>

# REFERENCE NAME LIST

## ELECTRICAL SECTION

DESCRIPTION	REFERENCE NAME
ANT	ANTENNAS
C-	CHIP
C-CAP	CAP, CHIP
C-CAP TN	CAP, CHIP TANTALUM
C-COIL	COIL, CHIP
C-DI	DIODE, CHIP
C-DIODE	DIODE, CHIP
C-FET	FET, CHIP
C-FOTR	FILTER, CHIP
C-JACK	JACK, CHIP
C-LED	LED, CHIP
C-RES	RES, CHIP
C-SFR	SFR, CHIP
C-SLIDE SW	SLIDE SWITCH, CHIP
C-SW	SWITCH, CHIP
C-TR	TRANSISTOR, CHIP
C-VR	VOLUME, CHIP
C-ZENER	ZENER, CHIP
CAP, CER	CAP, CERA-SOL
CAP, E	CAP, ELECT
CAP, M/F	CAP, FILM
CAP, TC	CAP, CERA-SOL
CAP, TC-U	CAP, CERA-SOL SS
CAP, TN	CAP, TANTALUM
CERA FIL	FILTER, CERAMIC
CF	FILTER, CERAMIC
DL	DELAY LINE
E/CAP	CAP, ELECT
FILT	FILTER
FLTR	FILTER
FUSE RES	RES, FUSE
MOT	MOTOR
P-DIODE	PHOTO DIODE
P-SNSR	PHOTO SENSER
P-TR	PHOTO TRANSISTOR
POLY VARI	VARIABLE CAPACITOR
PPCAP	CAP, PP
PT	POWER TRANSFORMER
PTR, RES	PTR, MELF
RC	REMOTE CONTROLLER
RES NF	RES, NON-FLAMMABLE
RESO	RESONATOR
SHLD	SHIELD
SOL	SOLENOID
SPKR	SPEAKER
SW, LVR	SWITCH, LEVER
SW, RTRY	SWITCH, ROTARY
SW, SL	SWITCH, SLIDE
TC CAP	CAP, CERA-SOL
THMS	THERMISTOR
TR	TRANSISTOR
TRIMER	CAP, TRIMMER
TUN-CAP	VARIABLE CAPACITOR
VIB, CER	RESONATOR, CERAMIC
VIB, XTAL	RESONATOR, CRYSTAL
VR	VOLUME
ZENER	DIODE, ZENER

## MECHANICAL SECTION

DESCRIPTION	REFERENCE NAME
ADHESHIVE	SHEET ADHESHIVE
AZ	AZIMUTH
BAR-ANT	BAR-ANTENNA
BAT	BATTERY
BATT	BATTERY
BRG	BEARING
BTN	BUTTON
CAB	CABINET
CASS	CASSETTE
CHAS	CHASSIS
CLR	COLLAR
CONT	CONTROL
CRSR	CURSOR
CU	CUSHION
CUSH	CUSHION
DIR	DIRECTION
DUBB	DUBBING
FL	FRONT LOADING
FLY-WHL	FLYWHEEL
FR	FRONT
FUN	FUNCTION
G-CU	G-CUSHION
HDL	HANDOL
HIMERON	CLOTH
HINGE, BAT	HINGE, BATTERY
HLDR	HOLDER
HT-SINK	HEAT SINK
IB	INSTRUCTION BOOKLET
IDLE	IDLER
IND, L-R	INDICATOR, L-R
KEY, CONT	KEY, CONTROL
KEY, PRGM	KEY, PROGRAM
KNOB, SL	KNOB, SLIDE
LBL	LABEL
LID, BATT	LID, BATTERY
LID, CASS	LID, CASSETTE
LVR	LEVER
P-SP	P-SPRING
PANEL, CONT	PANEL, CONTROL
PANEL, FR	PANEL, FRONT
PRGM	PROGRAM
PULLY, LOAD MO	PULLY, LOAD MOTOR
RBN	RIBBON
S-	SPECIAL
SEG	SEGMENT
SH	SHEET
SHLD-SH	SHIELD-SHEET
SL	SLIDE
SP	SPRING
SP-SCREW	SPECIAL-SCREW
SPACER, BAT	SPACER, BATTERY
SPR	SPRING
SPR-P	P-SPRING
SPR-PC-PUSH	P-SPRING, C-PUSH
T-SP	T-SPRING
TERM	TERMINAL
TRIG	TRIGGER
TUN	TUNING
VOL	VOLUME
W	WASHER
WHL	WHEEL
WORM-WHL	WORM-WHEEL

サービス技術ニュース	
番号	連絡内容
G-	-
G-	-
G-	-

**アイワ株式会社**  
**AIWA CO., LTD.**

9630472, 931261

Tokyo Japan